



Manufactured by:  
Backyard Discovery  
3305 Airport Drive, Pittsburg, KS 66762  
800-856-4445

Basepoint Business Centre: Rivermead Drive, Westlea, Swindon SN5 7EX Phone: 0800-118-2476  
J.P. Coenstraat 7, The Bridge, The Hague, 2595 WP, Netherlands Phone: 08005678990

# HENLEY 4-6 PERSON OUTDOOR CABIN SAUNA

## MODEL # : 2504776, 2504776V

THE ASSEMBLY MANUAL MUST BE RETAINED SINCE IT CONTAINS IMPORTANT INFORMATION  
**ELECTRICIAN WORK IS REQUIRED TO INSTALL A DEDICATED 240V/50AMP CIRCUIT**



### WARNING

Cancer and Reproductive Harm  
[www.P65Warnings.ca.gov](http://www.P65Warnings.ca.gov)



Please visit [www.backyarddiscovery.com](http://www.backyarddiscovery.com)

For the most up to date assembly manual, to register your product, or to order replacement parts *Para obtener instrucciones en español, visite* [www.backyarddiscovery.com](http://www.backyarddiscovery.com)



EASY STEP-BY-STEP  
3D INTERACTIVE INSTRUCTIONS  
DOWNLOAD THE FREE APP



# OWNER'S MANUAL - BASIC SETUP DIMENSIONS & ASSEMBLY NOTES

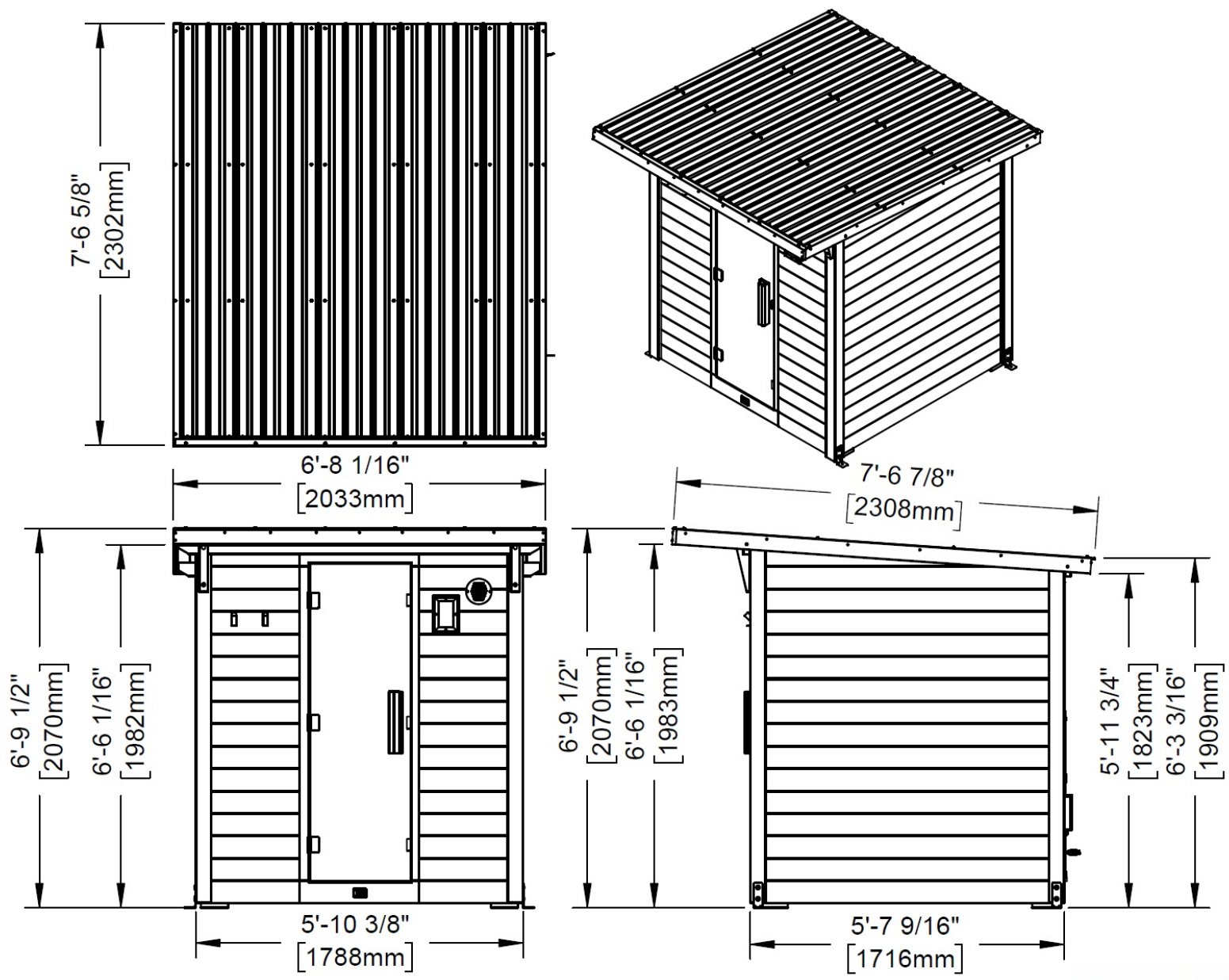
## CHOOSE A GOOD LOCATION FOR YOUR SAUNA!

It is critically important the sauna foundation is sturdy and level.

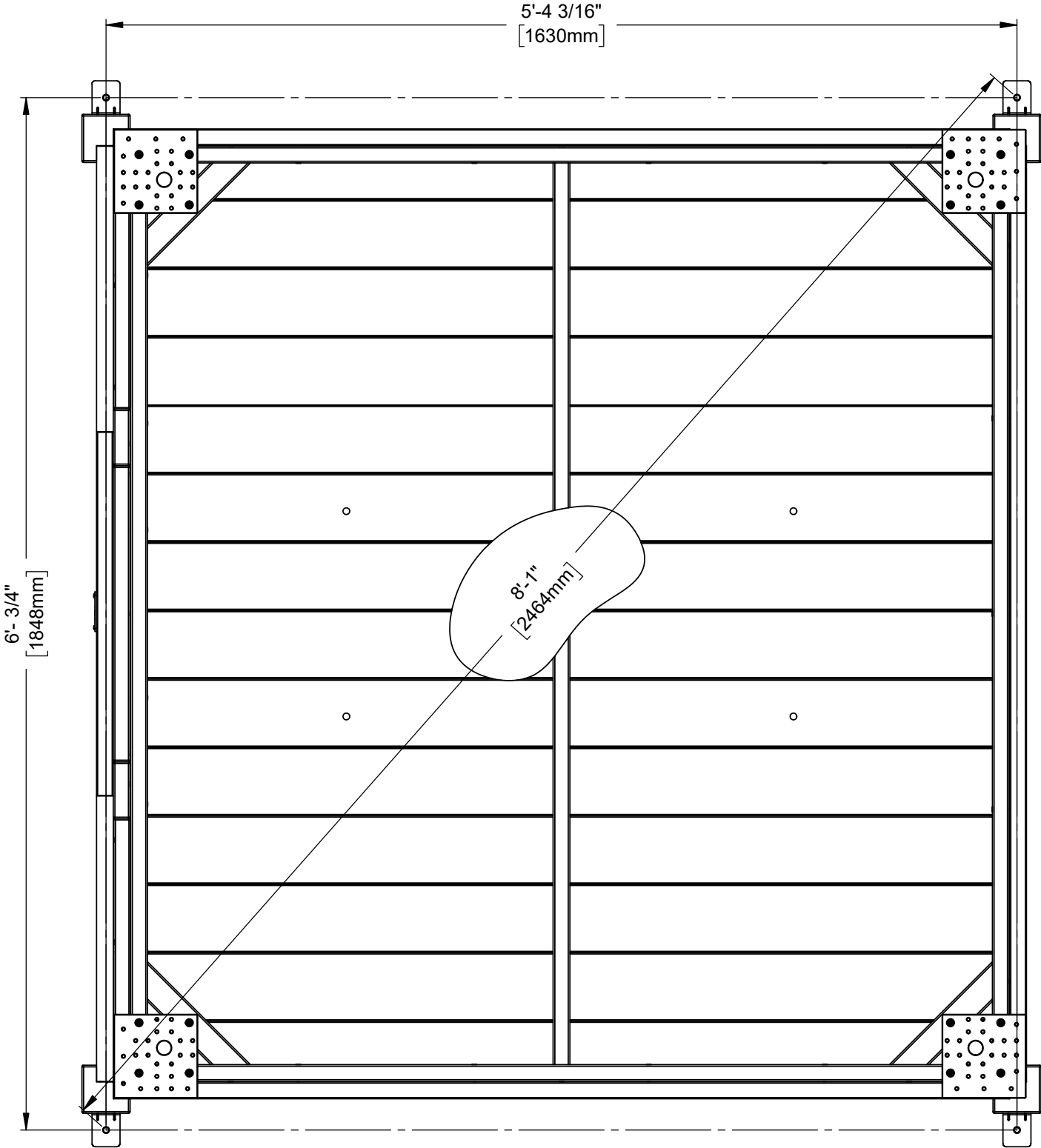
An unstable foundation can cause the sauna to tilt, shift, or fall, leading to injury.

Pay close attention to the items needed for each step. Make sure you are using the correct hardware for each step.

- Using incorrect hardware may result in improper assembly.
- Ensure the surface is firm and level and can support the weight of the sauna and its users. (1000+ lbs.)
- Many garages, basements or deck floors are sloped for drainage. A slight slope will not be an issue. A more pronounced slope will require shimming to make the sauna level.
- Consider a concrete slab, paver stones, or something similar to prevent the cradle supports from settling in the ground. Concrete anchors are provided in the kit.
- If installing on the ground or gravel surface, ground anchors are included in the kit.
- If installing on a deck, confirm there is ample structural support under the deck. The hardware to mount to a wood deck is NOT included and will need to be purchased separately.
- Consider distance from your electrical service box as this can greatly impact the cost of needed electrical work
- If located in an area that tends to receive high winds, it is recommended to take extra precautions to ensure the door does not blow open. In most situation, this should not be a concern.

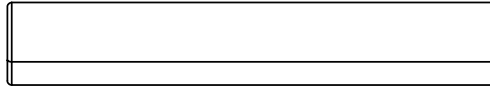


# OWNER'S MANUAL - ANCHORING LAYOUT



# OWNER'S MANUAL - PARTS IDENTIFICATION

## WOOD COMPONENTS (NOT TO SCALE)



AM02 DOOR HANDLE-W4L22361  
(x1) 2 1/4"x3"x13 5/16" (57x76x338)



E01 TRIM BOARD-W4L22459  
(x2) 1 7/16"x3 3/8"x78 1/8" (36x86x1984)



H01 ROOF TRIM-W4L22360  
(x2) 15/16"x3 3/8"x89 3/8" (24x86x2270)



HB01 WALL BOARD-W4L22456  
(x2) 15/16"x2 3/4"x63 9/16" (24x70x1614)



NG01 SLAT-W4L21949  
(x3) 13/16"x3 3/8"x65 3/4" (20x86x1670)



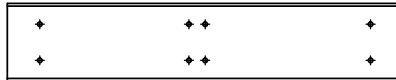
NG04 FASCIA-W4L22458  
(x1) 13/16"x3 1/8"x78 1/8" (20x80x1984)



NR01 HEATER GUARD BOARD-W4L22493  
(x5) 13/16"x2 3/8"x20 1/2" (20x60x521)



NR04 HEATER GUARD BOARD-W4L22037  
(x5) 13/16"x2 3/8"x15 11/16" (20x60x398)



OG01 FLOOR JOIST-W4L22461  
(x2) 1 3/16"x3 3/8"x17 1/4" (30x86x438)



OG02 SEAT CLEAT-W4L21943  
(x1) 1 3/16"x3 3/8"x60 15/16" (30x86x1548)



OG03 FLOOR JOIST-W4L22462  
(x1) 1 3/16"x3 3/8"x63 9/16" (30x86x1614)

# OWNER'S MANUAL - PARTS IDENTIFICATION

## WOOD COMPONENTS (NOT TO SCALE)



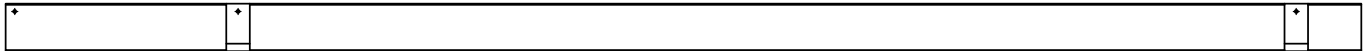
OG04 FLOOR JOIST-W4L22463  
(x1) 1 3/16"x3 3/8"x63 9/16" (30x86x1614)



OG05 FLOOR JOIST-W4L22464  
(x1) 1 3/16"x3 3/8"x63 9/16" (30x86x1614)



OG06 ROOF BOARD-W4L22469  
(x1) 1 3/16"x3 1/8"x88 9/16" (30x79x2250)



OG07 ROOF BOARD-W4L22470  
(x1) 1 3/16"x3 1/8"x88 9/16" (30x79x2250)



OG08 SEAT CLEAT-W4L22384  
(x2) 1 3/16"x3 3/8"x19 1/8" (30x86x486)



OG09 FLOOR JOIST-W4L22485  
(x2) 1 3/16"x3 3/8"x63 1/16" (30x86x1602)



OG10 WIREWAY BOARD-W4L22387  
(x1) 1 3/16"x3 3/8"x60 3/4" (30x86x1543)



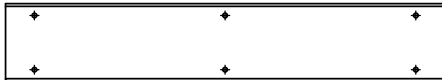
OG11 WIREWAY BOARD-W4L22733  
(x1) 1 3/16"x2 1/4"x3 3/8" (30x57x86)



OG12 WIREWAY BOARD-W4L22389  
(x1) 1 3/16"x3 3/8"x19 3/4" (30x86x501)



OG13 LIGHT MOUNT-W4L22494  
(x1) 30x3 3/8"x40 9/16" (30x86x1030)



OG15 SEAT CLEAT-W4L22407  
(x2) 1 3/16"x3 3/8"x19 1/8" (30x86x486)



OG16 SEAT CLEAT-W4L22585  
(x1) 1 3/16"x3 3/8"x18 1/4" (30x86x464)



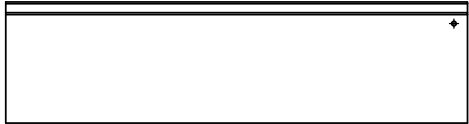
OJ01 WALL BOARD-W4L22347  
(x2) 1 3/16"x5 1/4"x63 1/16" (30x134x1602)

# OWNER'S MANUAL - PARTS IDENTIFICATION

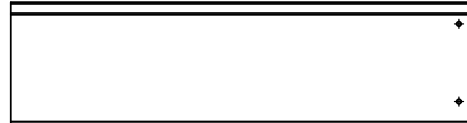
## WOOD COMPONENTS (NOT TO SCALE)



OJ02 WALL BOARD-W4L22348  
(x28) 1 3/16"x5 1/4"x63 1/16" (30x134x1602)



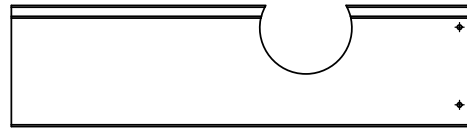
OJ03 WALL BOARD-W4L22471  
(x1) 1 3/16"x5 1/4"x20 1/8" (30x134x511)



OJ04 WALL BOARD-W4L22472  
(x10) 1 3/16"x5 1/4"x20 1/8" (30x134x511)



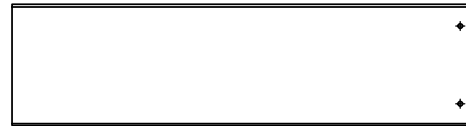
OJ05 WALL BOARD-W4L22473  
(x1) 1 3/16"x5 1/4"x20 1/8" (30x134x511)



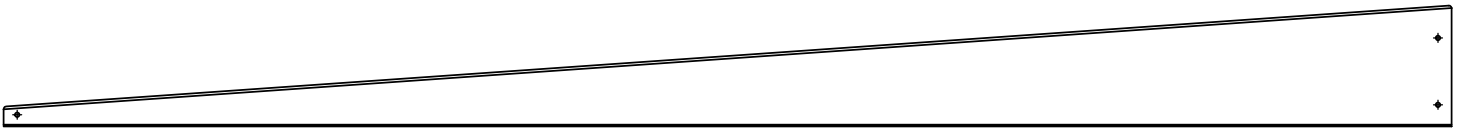
OJ06 WALL BOARD-W4L22474  
(x1) 1 3/16"x5 1/4"x20 1/8" (30x134x511)



OJ07 WALL BOARD-W4L22475  
(x1) 1 3/16"x5 1/4"x20 1/8" (30x134x511)



OJ08 WALL BOARD-W4L22476  
(x1) 1 3/16"x5 1/4"x20 1/8" (30x134x511)



OJ09 WALL BOARD-W4L22357  
(x2) 1 3/16"x5 1/4"x63 1/16" (30x134x1602)



OJ10 ROOF BOARD-W4L22359  
(x15) 1 3/16"x5 1/4"x88 9/16" (30x134x2250)



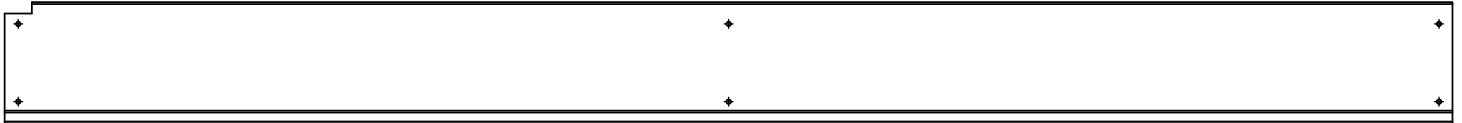
OJ11 WALL BOARD-W4L22477  
(x1) 1 3/16"x5 1/4"x20 1/8" (30x134x511)



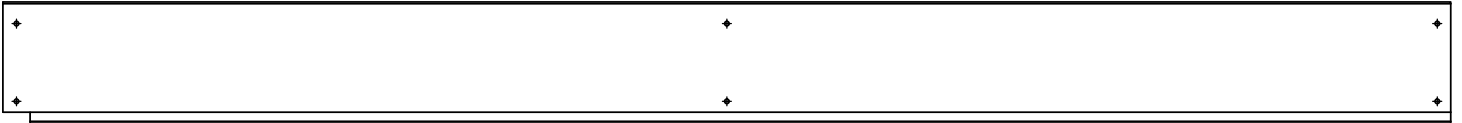
OJ12 WALL BOARD-W4L22478  
(x14) 1 3/16"x5 1/4"x20 1/8" (30x134x511)

# OWNER'S MANUAL - PARTS IDENTIFICATION

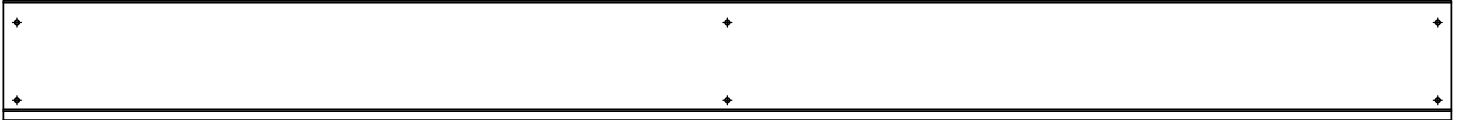
## WOOD COMPONENTS (NOT TO SCALE)



OJ13 FLOOR BOARD-W4L22479  
(x1) 1 3/16"x5 1/4"x63 1/16" (30x134x1602)



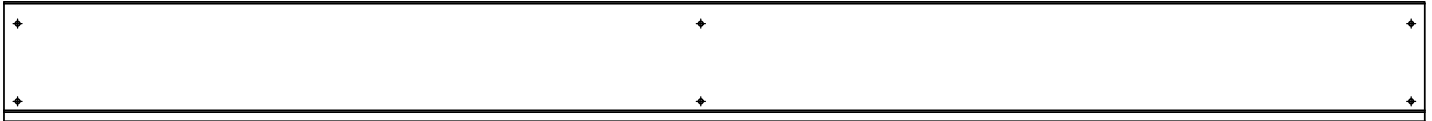
OJ14 FLOOR BOARD-W4L22480  
(x1) 1 3/16"x5 1/4"x63 1/16" (30x134x1602)



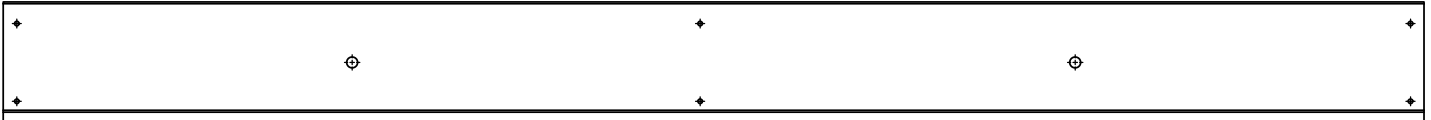
OJ15 FLOOR BOARD-W4L22481  
(x4) 1 3/16"x5 1/4"x63 1/16" (30x134x1602)



OJ16 WALL BOARD-W4L22482  
(x1) 1 3/16"x5 1/4"x20 1/8" (30x134x511)



OJ17 FLOOR BOARD-W4L22483  
(x4) 1 3/16"x5 1/4"x61 7/8" (30x134x1572)



OJ18 FLOOR BOARD-W4L22484  
(x2) 1 3/16"x5 1/4"x61 7/8" (30x134x1572)



OJ19 WALL BOARD-W4L22486  
(x1) 1 3/16"x5 1/4"x65 7/8" (30x134x1674)



OJ20 WALL BOARD-W4L22487  
(x10) 1 3/16"x5 5/16"x65 7/8" (30x134x1674)



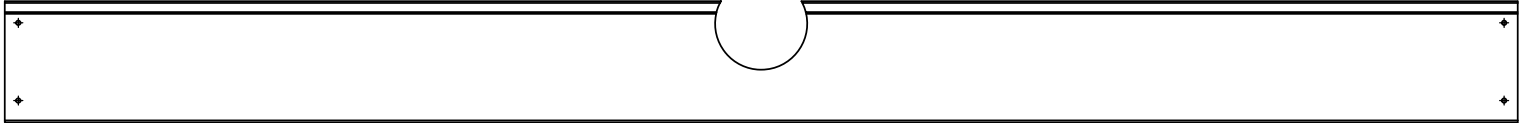
OJ21 WALL BOARD-W4L22488  
(x1) 1 3/16"x5 1/4"x65 7/8" (30x134x1674)



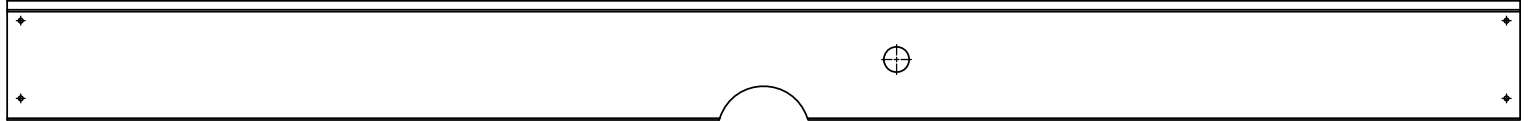
OJ22 WALL BOARD-W4L22489  
(x1) 1 3/16"x5 1/4"x65 7/8" (30x134x1674)

# OWNER'S MANUAL - PARTS IDENTIFICATION

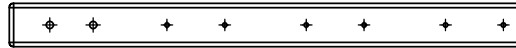
## WOOD COMPONENTS (NOT TO SCALE)



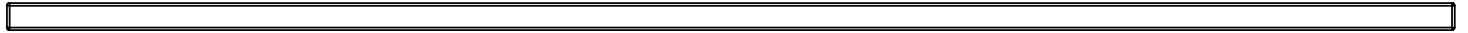
OJ24 WALL BOARD-W4L22491  
(x1) 1 3/16"x5 1/4"x65 7/8" (30x134x1674)



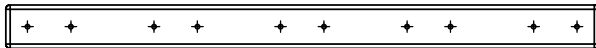
OJ25 WALL BOARD-W4L22492  
(x1) 1 3/16"x5 1/4"x65 7/8" (30x134x1674)



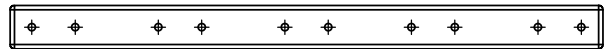
OO01 SLAT CLEAT-W4L22404  
(x2) 1 3/16"x1 3/16"x14" (30x30x355)



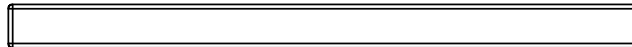
OO02 FLOOR TRIM-W4L22365  
(x2) 1 3/16"x1 3/16"x63 1/16" (30x30x1602)



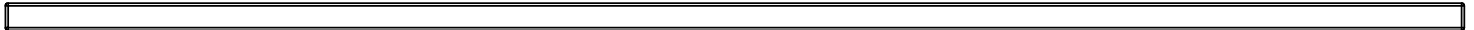
OO03 HEATER GUARD BOARD-W4L22038  
(x2) 1 3/16"x1 3/16"x16 1/8" (30x30x410)



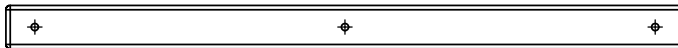
OO04 HEATER GUARD BOARD-W4L22035  
(x1) 1 3/16"x1 3/16"x16 1/8" (30x30x410)



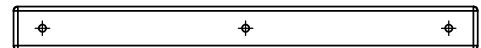
OO06 FLOOR TRIM-W4L22465  
(x2) 1 3/16"x1 3/16"x17 1/4" (30x30x438)



OO07 FLOOR TRIM-W4L22466  
(x1) 1 3/16"x1 3/16"x63 9/16" (30x30x1614)



OO08 TRIM-W4L22495  
(x1) 1 3/16"x1 3/16"x18 7/16" (30x30x469)



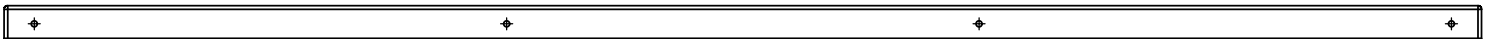
OO09 TRIM-W4L22496  
(x2) 1 3/16"x1 3/16"x12 5/8" (30x30x321)



OO13 TRIM-W4L22414  
(x2) 1 3/16"x1 3/16"x61" (30x30x1549)



OO14 TRIM-W4L22607  
(x2) 1 3/16"x1 3/16"x37 7/8" (30x30x962)



OO15 TRIM-W4L22730  
(x1) 1 3/16"x1 3/16"x48 1/4" (30x30x1226)



# OWNER'S MANUAL - PARTS IDENTIFICATION

## WOOD COMPONENTS (NOT TO SCALE)



OO16 TRIM-W4L22415  
(x1) 1 3/16"x1 3/16"x2 3/8" (30x30x60)



OO17 TRIM-W4L22732  
(x1) 1 3/16"x1 3/16"x57 1/16" (30x30x1449)



OO18 TRIM-W4L22731  
(x1) 1 3/16"x1 3/16"x49 13/16" (30x30x1266)



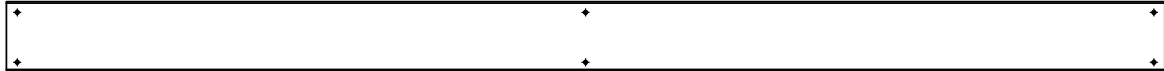
OR01 SEAT UPRIGHT-W4L22406  
(x2) 1 3/16"x2 3/8"x28 3/4" (30x60x730)



OR02 ANGLE BRACE-W4L21946  
(x4) 1 3/16"x2 3/8"x10 7/8" (30x60x276)



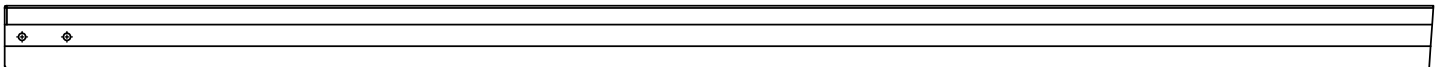
OR03 BENCH UPRIGHT-W4L22405  
(x2) 1 3/16"x2 3/8"x14" (30x60x355)



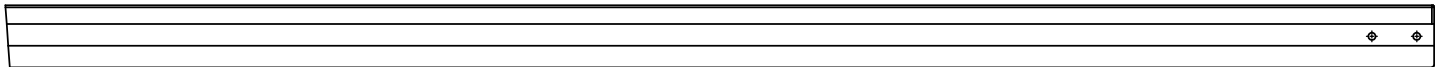
OS01 FLOOR BOARD-W4L22729  
(x1) 1 3/16"x3 3/4"x63 1/16" (30x96x1602)



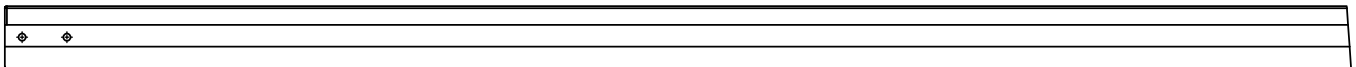
OV02 FLOOR BOARD-W4L22468  
(x1) 1 3/16"x4 1/4"x63 1/16" (30x107x1602)



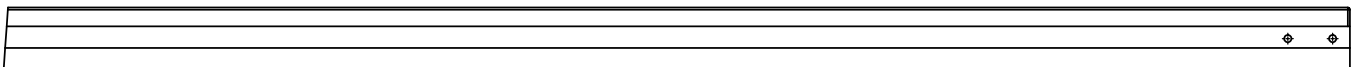
SP01 POST-W4L22341  
(x1) 3 3/8"x3 3/8"x77 13/16" (86x86x1976)



SP02 POST-W4L22342  
(x1) 3 3/8"x3 3/8"x77 13/16" (86x86x1976)



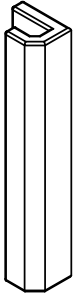
SP03 POST-W4L22343  
(x1) 3 3/8"x3 3/8"x73 5/16" (86x86x1862)



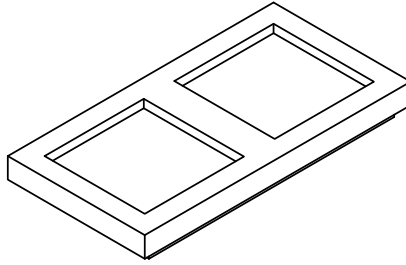
SP04 POST-W4L22344  
(x1) 3 3/8"x3 3/8"x73 5/16" (86x86x1862)

# OWNER'S MANUAL - PARTS IDENTIFICATION

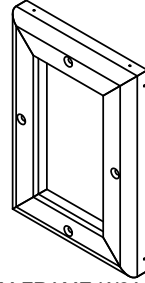
## WOOD COMPONENTS (NOT TO SCALE)



AM01 DOOR HANDLE-W2A04917  
(x1) 2 1/4"x3"x13 5/16" (57x76x338)



T01 THERMOMETER-W4L21965  
(x1)



TF01 TRIM FRAME-W2A04797  
(x1) 7/8"x5 9/16"x8 1/16" (22x142x204)



W01 SEAT TRIM-W4L21948  
(x1) 1 9/16"x3 3/8"x65 3/4" (40x86x1670)



W02 FOOT BRACE-W4L22399  
(x4) 1 15/16"x3 3/8"x10 1/4" (50x86x261)



W03 ANGLE BRACE-W4L22409  
(x2) 1 15/16"x3 3/8"x11 1/4" (50x86x285)



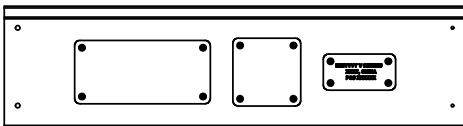
W04 SEAT TRIM-W4L22586  
(x1) 1 9/16"x3 3/8"x65 3/4" (40x86x1670)



W05 SEAT TRIM-W4L22587  
(x1) 1 9/16"x3 3/8"x22 1/16" (40x86x560)



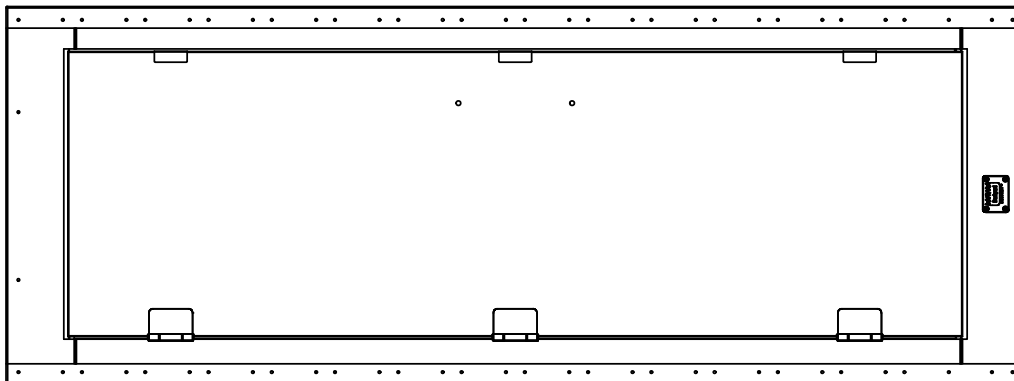
W06 FASCIA-W4L22457  
(x1) 1 15/16"x3 3/8"x80" (50x86x2032)



WB01 WALL BOARD ASSEMBLY-W2A05157  
(x1) 1 3/16"x5 1/4"x20 1/8" (30x134x511)



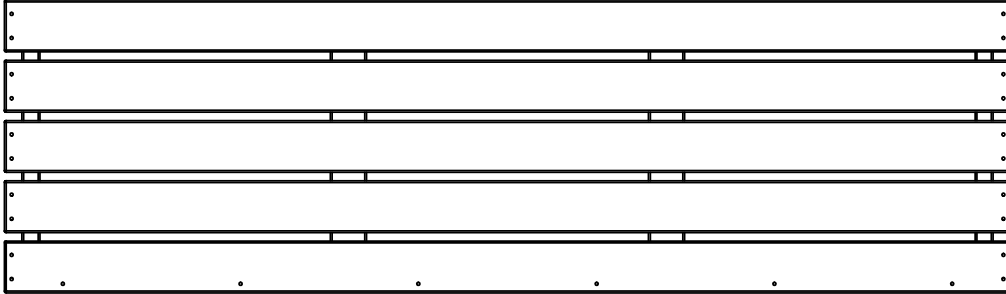
Y01 HEATER SPACER BOARD-W4L22601  
(x2) 5/8"x4"x18 1/4" (16x102x464)



WP01 WALL PANEL ASSEMBLY-W2A04926  
(x1) 2 3/8"x28 7/8"x77 5/8" (60x734x1972)

# OWNER'S MANUAL - PARTS IDENTIFICATION

## WOOD COMPONENTS (NOT TO SCALE)



BA01 BENCH ASSEMBLY-W2A04927  
(x1) 1 15/16"x19 1/8"x65 3/4" (50x486x1670)



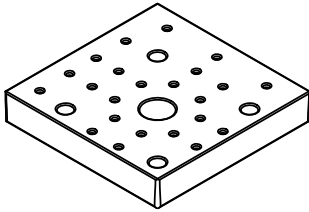
BA02 BENCH ASSEMBLY-W2A04928  
(x1) 1 15/16"x19 1/8"x65 3/4" (50x486x1670)



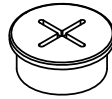
BA03 BENCH ASSEMBLY-W2A04983  
(x1) 1 15/16"x19 1/8"x24 13/16" (50x486x630)

# OWNER'S MANUAL - PARTS IDENTIFICATION

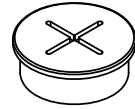
## ACCESSORY COMPONENTS (NOT TO SCALE)



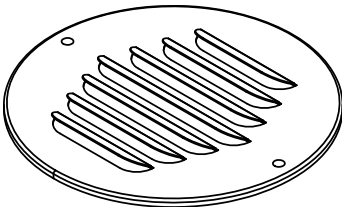
1526 BASE FOOT-A6P01526  
(x4) 1"x5 7/8"x5 7/8" (25x150x150)



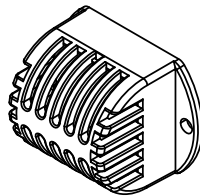
1467 25mm SILICONE GROMMET-A6P01467  
(x4)



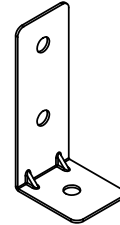
1468 30mm SILICONE GROMMET-A6P01468  
(x1)



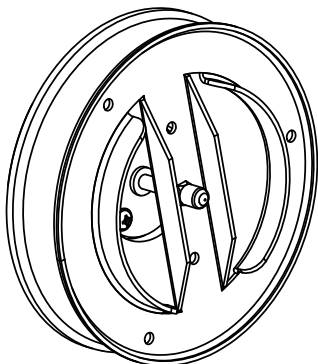
5285 VENT-A4M05285  
(x2)



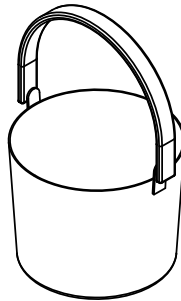
5590-08 TEMPERATURE SENSOR-A4M05590-08  
(x1)



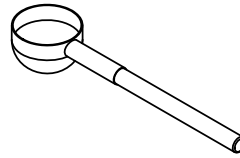
5917 ANCHOR BRACKET-A4M05917  
(x4) 1/16"x1 15/16"x7 5/8" (2x50x193)



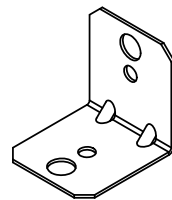
5592 VENT ASSEMBLY-A4M05592  
(x1)



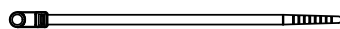
B01 BUCKET-A4M05673  
(x1)



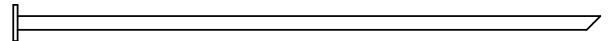
L01 LADLE-A4M05596  
(x1)



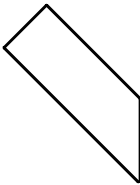
555 L BRACKET BLK-A4M00555  
(x9) 1 1/4"x1 3/8"x1 3/8" (32x35x35)



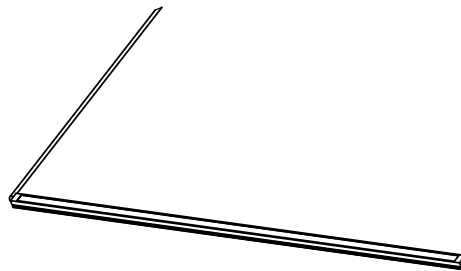
ZIP CABLE TIE-A6P01448  
(x10)



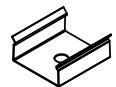
5667 GROUND STAKE-A4M05667  
(x4) 1"16" (25xx406)



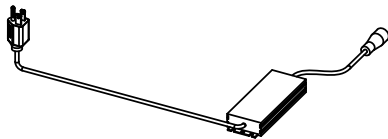
5672 GARMENT HANGER ASSEMBLY-A4M05672  
(x2)



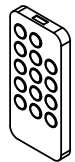
1493-02 LED LIGHT-A6P01493-02  
(x2)



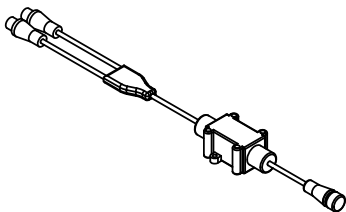
LIGHT CLIP-A6P01493-04  
(x4)



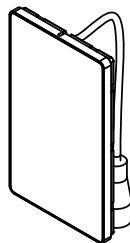
1493-03 LED POWER SUPPLY-A6P01493-03  
(x1) (xx)



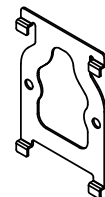
REMOTE-A6P01493-05  
(x1)



1493-06 REMOTE MODULE-A6P01493-06  
(x1)



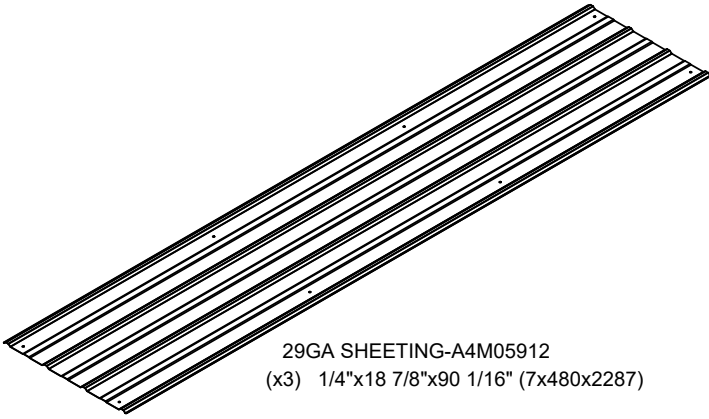
5590-02 CONTROL PANEL-A4M05590-02  
(x1)



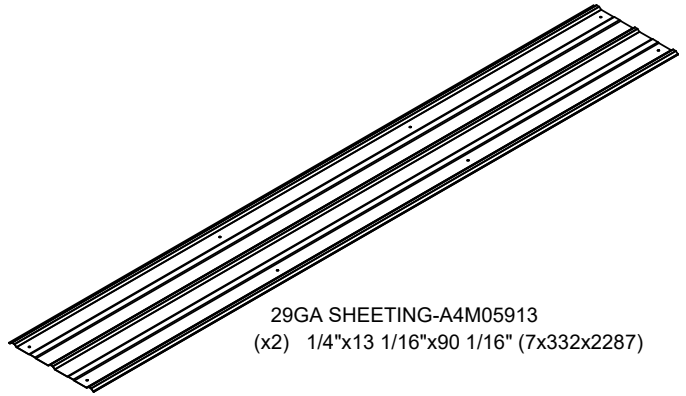
5590-03 CONTROL PANEL MOUNTING  
BRACKET-A4M05590-03  
(x1)

# OWNER'S MANUAL - PARTS IDENTIFICATION

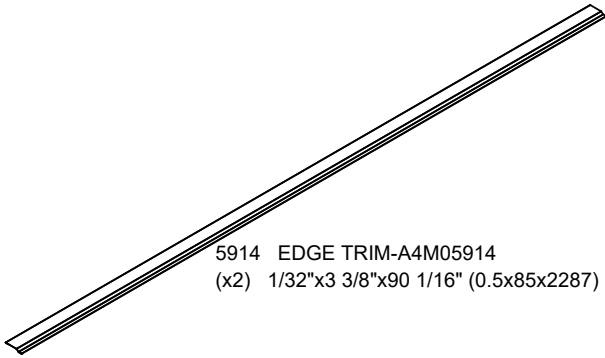
## ACCESSORY COMPONENTS (NOT TO SCALE)



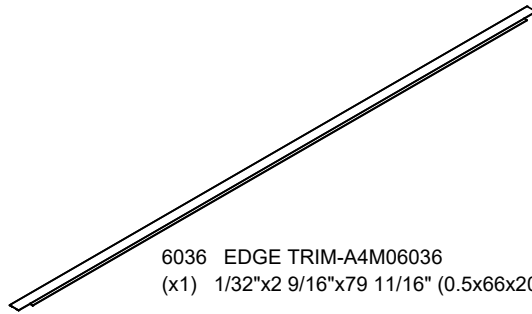
29GA SHEETING-A4M05912  
(x3) 1/4"x18 7/8"x90 1/16" (7x480x2287)



29GA SHEETING-A4M05913  
(x2) 1/4"x13 1/16"x90 1/16" (7x332x2287)



5914 EDGE TRIM-A4M05914  
(x2) 1/32"x3 3/8"x90 1/16" (0.5x85x2287)



6036 EDGE TRIM-A4M06036  
(x1) 1/32"x2 9/16"x79 11/16" (0.5x66x2024)



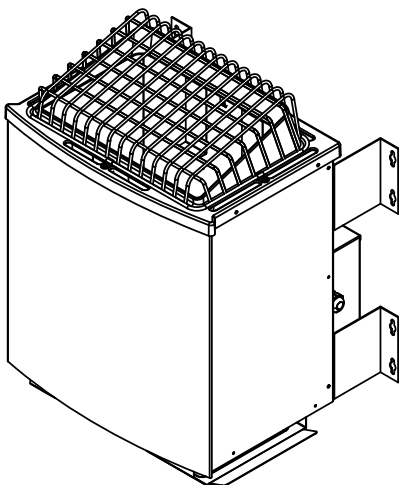
6037 DRIP EDGE-A4M06037  
(x1) .01X4 1/4"X78" (0.34x109x1982)



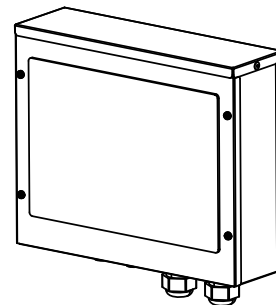
1543 SAUNA POWER WIRE - A6P01543  
(x1)



5590-10 WIRING HARNESS - A4M05590-10  
(x1)



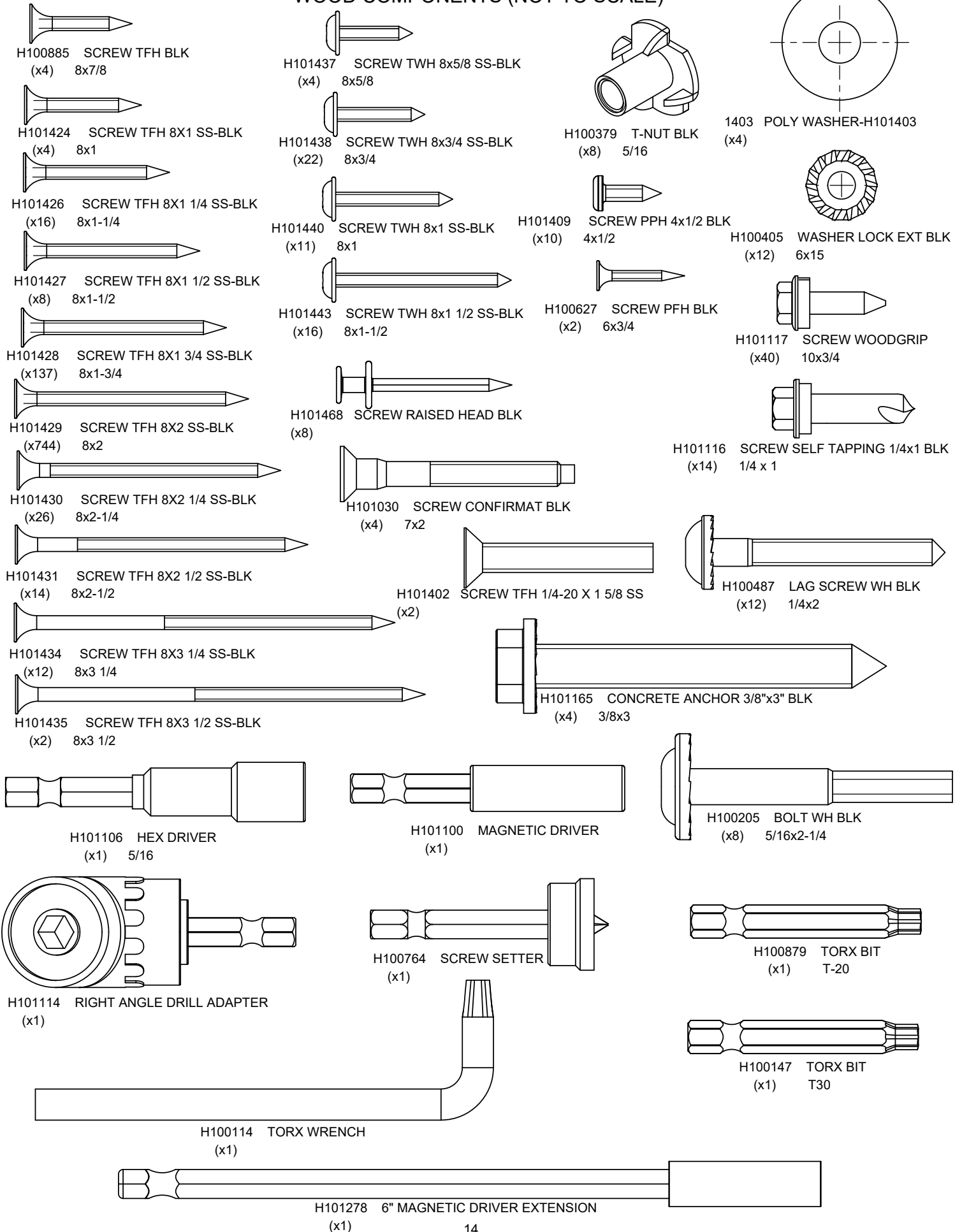
0253 9KW ELECTRIC SAUNA HEATER-9250253  
(x1)



5590-01 SERVICE PANEL-A4M05590-01  
(x1)

# OWNER'S MANUAL - PARTS IDENTIFICATION

## WOOD COMPONENTS (NOT TO SCALE)



# PRE-ASSEMBLY STEP 1 - SORTING PARTS

It is critical for ease of assembly that you take the time to sort and organize the wood and hardware.

---

## WOOD PARTS:

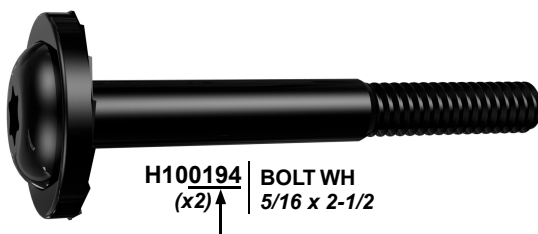
- Organize wood parts by the three-digit, alpha-numeric number stamped on each board (ex. P01).
- If there are multiple boards with the same stamped number, stack those pieces together.
- Stamps can be found on the flat surface of the boards or on the end of the boards.
- Allow yourself plenty of room - the wood pieces can take up a significant amount of space.

**NOTE: CARTONS ARE NOT ORGANIZED BY BOARD NUMBER.**



## HARDWARE PARTS:

- We recommend that you have a separate table to organize the hardware.
- Hardware bags are printed with a seven-digit, alpha-numeric part number.
- You can organize your hardware by part number or group by hardware type (i.e. bolts, nuts, etc.).
- During assembly you only need to reference the last four digits of the number.



H100194 | BOLT WH  
(x2) ↑ 5/16 x 2-1/2

# PRE-ASSEMBLY STEP 2 - TOOLS REQUIRED



Cordless Drill or Electric Drill



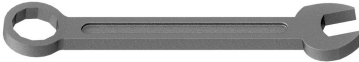
Drill Attachments:  
Phillips Head



1/8", 3/16", 3/8" & 7/16" Drill Bits



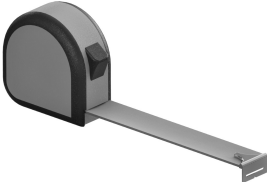
Phillips Screw Driver



Open End Wrenches  
11/16"



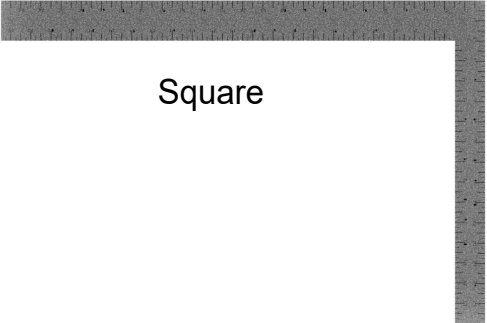
3/8" Drive Ratchet, 1/2" & 7/16" STD Sockets, 1/2" & 7/16" Deep Sockets



Tape Measure



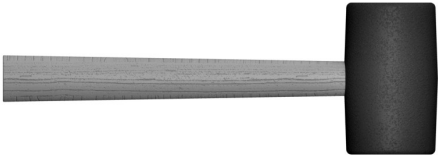
Claw Hammer



Square



Level 24"



Rubber Mallet -  
Optional



# PRE-ASSEMBLY STEP 3 - CHOOSE YOUR ASSEMBLY METHOD

There are several types of assembly instructions available to you.

1. Printed Assembly Manual included with your set
2. BILT APP - 3D interactive instructions
3. Combination of the Printed Manual and BILT APP (Note: Step numbers can differ between the two methods)



The graphic is a promotional banner for the BILT app. On the left, the BILT logo is displayed in a large, bold, grey font. Below the logo, the text 'Scan for easy 3D instructions' is written in a bold, black font, followed by 'Download the BILT app before you begin' in a smaller, regular black font. On the right side, the text 'SCAN FOR BILT 3D INSTRUCTIONS' is positioned above a large QR code. Below the QR code, it says 'POWERED BY BILT INTELLIGENT INSTRUCTIONS'. At the bottom right, there are two buttons: 'Download on the App Store' and 'GET IT ON Google Play'. At the bottom center, a smartphone screen is shown displaying a 3D assembly instruction interface. The screen features a 3D model of a structure, a 'Partlist Needed' button in the top left, a close button (X) in the top right, and navigation controls (back, play/pause, forward) at the bottom.

# STEP 1 - FLOOR ASSEMBLY

QTY	PART NUMBER	DESCRIPTION
8	H101429	SCREW TFH 8X2 SS-BLK
4	H101430	SCREW TFH 8X2 1/4 SS-BLK



OG03 FLOOR JOIST - W4L22462  
(x1) 1 3/16"x3 3/8"x63 9/16" (30x86x1614)

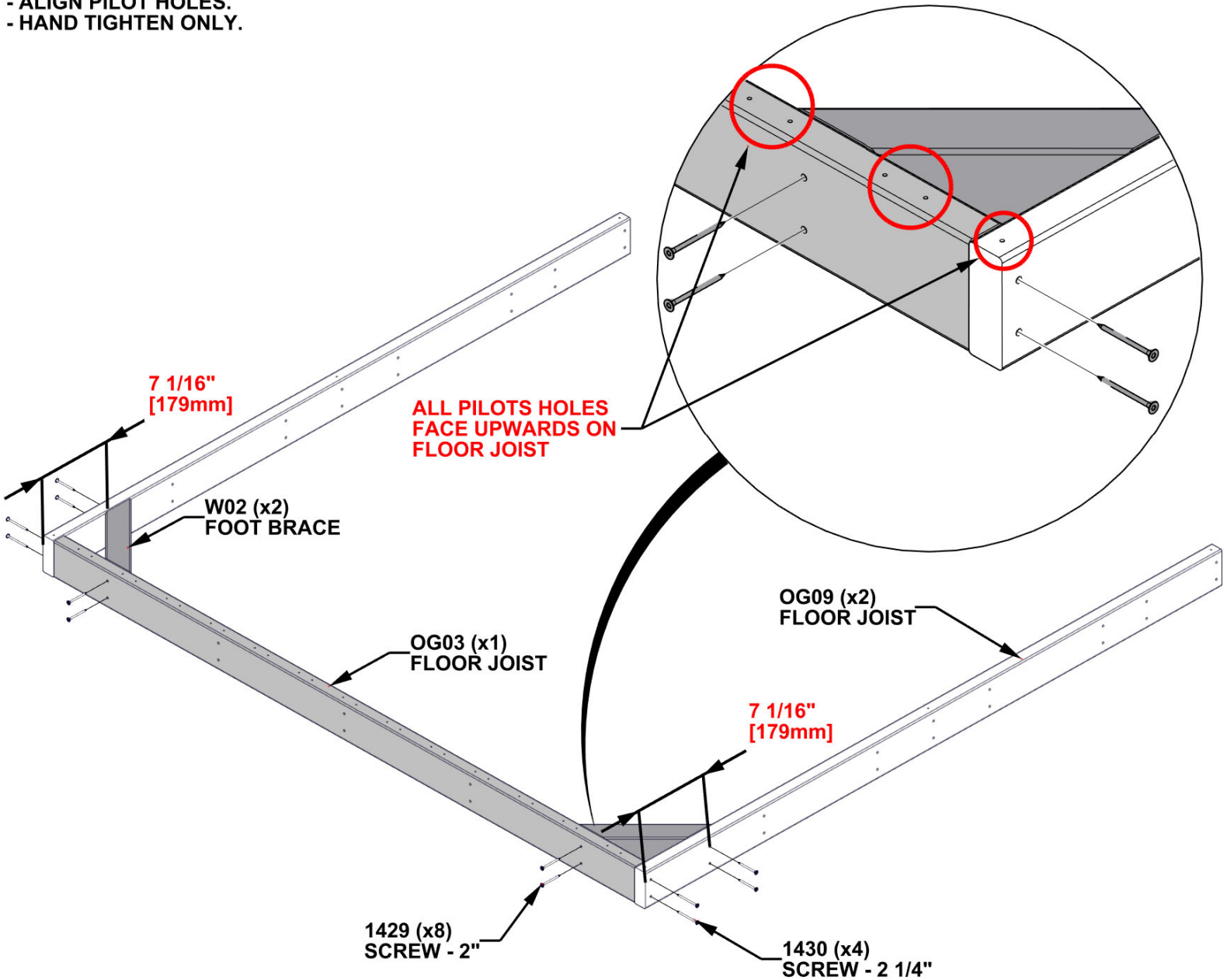


W02 FOOT BRACE - W4L22399  
(x2) 1 15/16"x3 3/8"x10 1/4" (50x86x261)



OG09 FLOOR JOIST - W4L22485  
(x2) 1 3/16"x3 3/8"x63 1/16" (30x86x1602)

- ALIGN PILOT HOLES.
- HAND TIGHTEN ONLY.



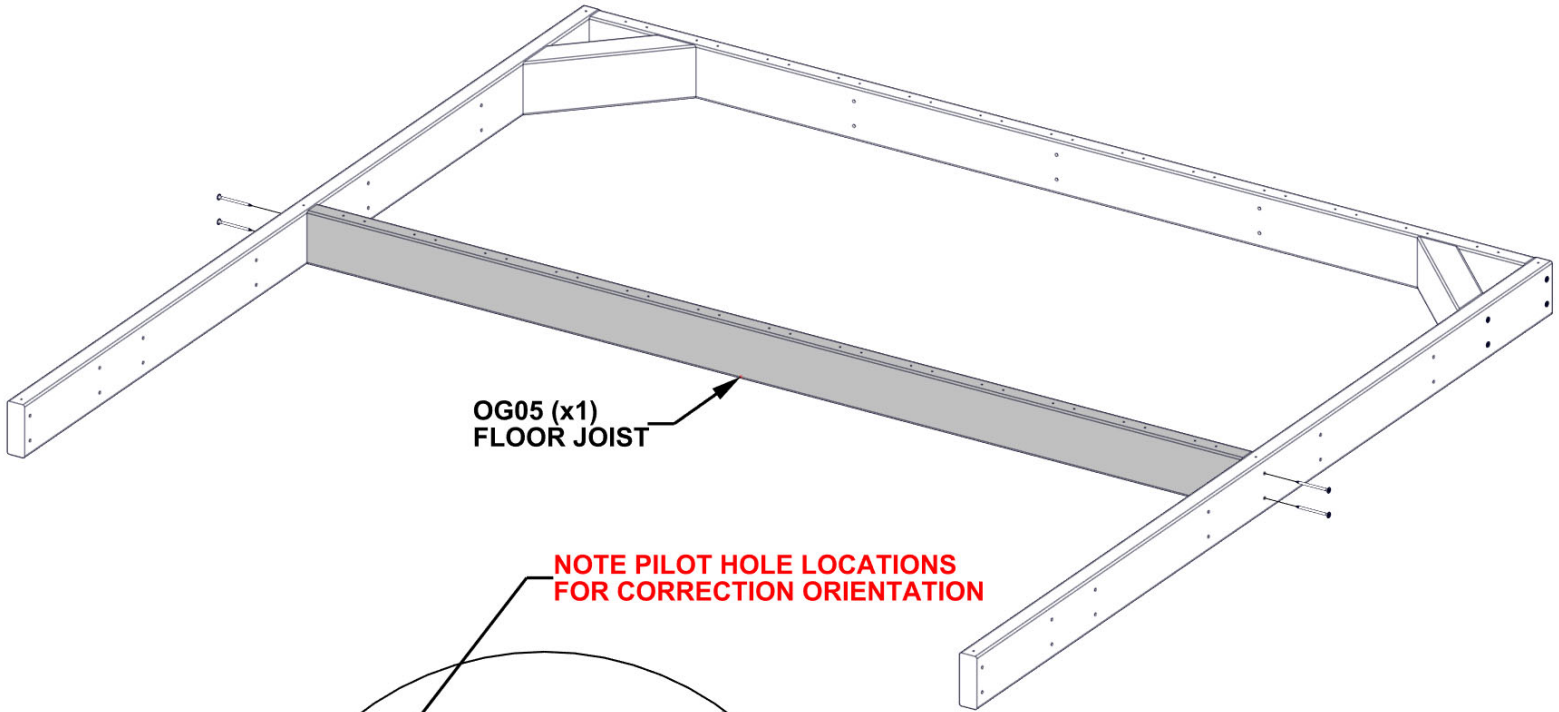
# STEP 2 - FLOOR ASSEMBLY

QTY	PART NUMBER	DESCRIPTION
4	H101430	SCREW TFH 8X2 1/4 SS-BLK

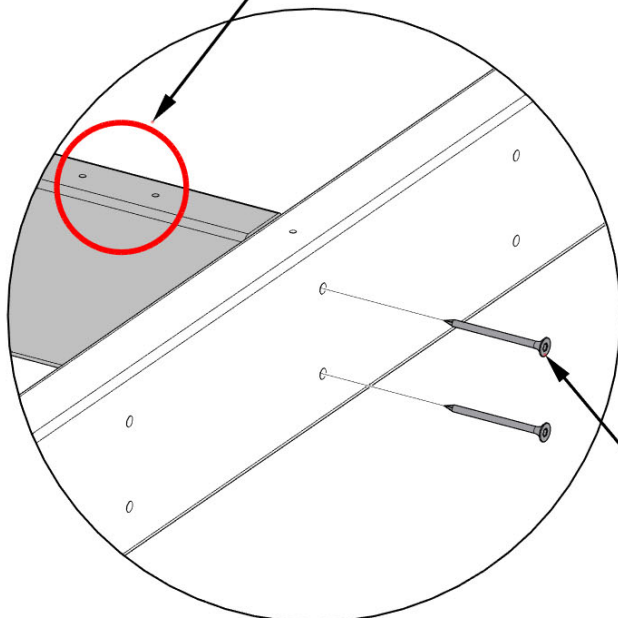


OG05 FLOOR JOIST - W4L22464  
(x1) 1 3/16"x3 3/8"x63 9/16" (30x86x1614)

- ALIGN PILOT HOLES.



**NOTE PILOT HOLE LOCATIONS  
FOR CORRECTION ORIENTATION**



# STEP 3 - FLOOR ASSEMBLY

QTY	PART NUMBER	DESCRIPTION
4	H101429	SCREW TFH 8X2 SS-BLK

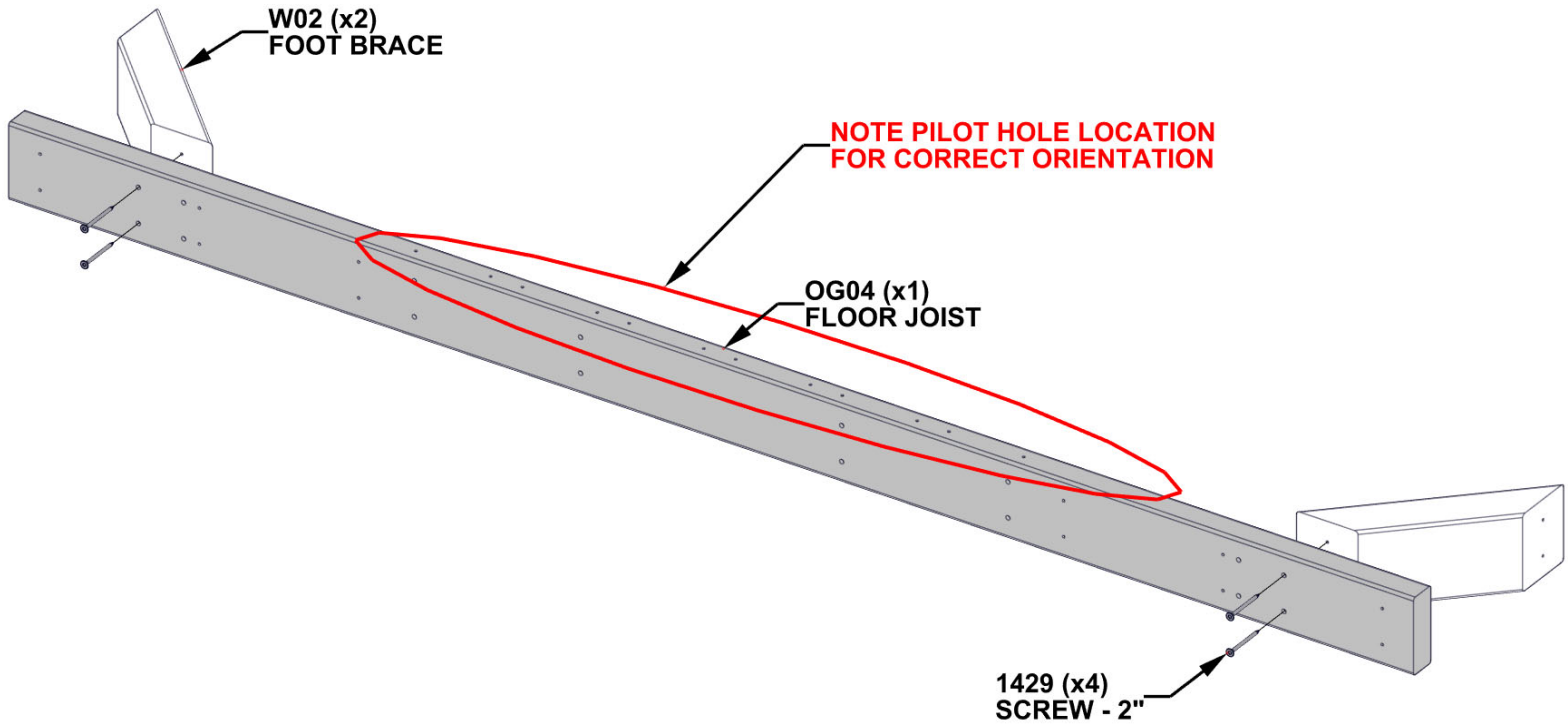


OG04 FLOOR JOIST - W4L22463  
(x1) 1 3/16"x3 3/8"x63 9/16" (30x86x1614)



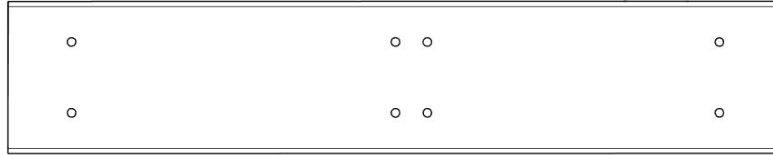
W02 FOOT BRACE - W4L22399  
(x2) 1 15/16"x3 3/8"x10 1/4" (50x86x261)

- ALIGN PILOT HOLES.
- HAND TIGHTEN ONLY.



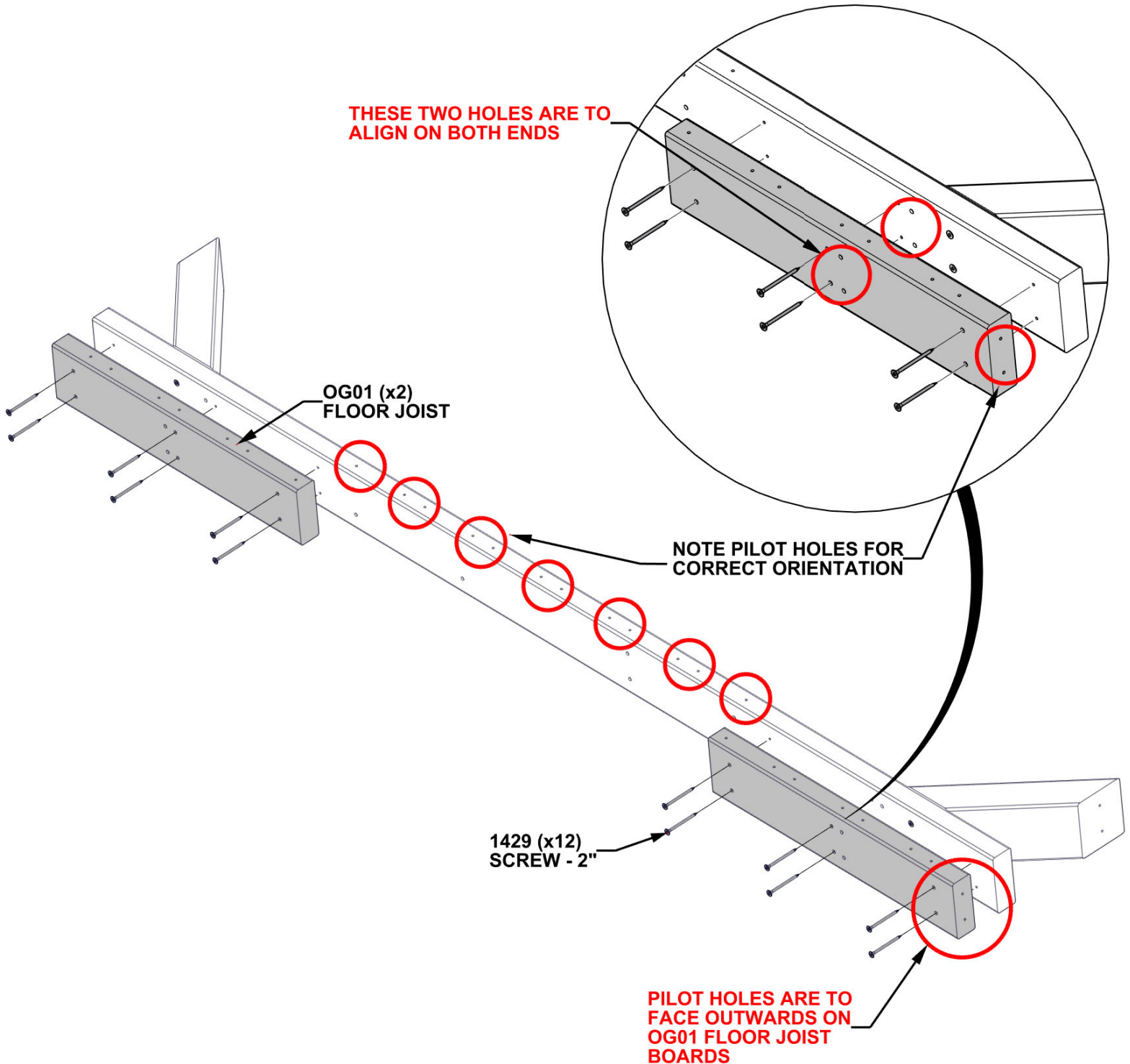
# STEP 4 - FLOOR ASSEMBLY

QTY	PART NUMBER	DESCRIPTION
12	H101429	SCREW TFH 8X2 SS-BLK



OG01 FLOOR JOIST - W4L22461  
(x2) 1 3/16"x3 3/8"x17 1/4" (30x86x438)

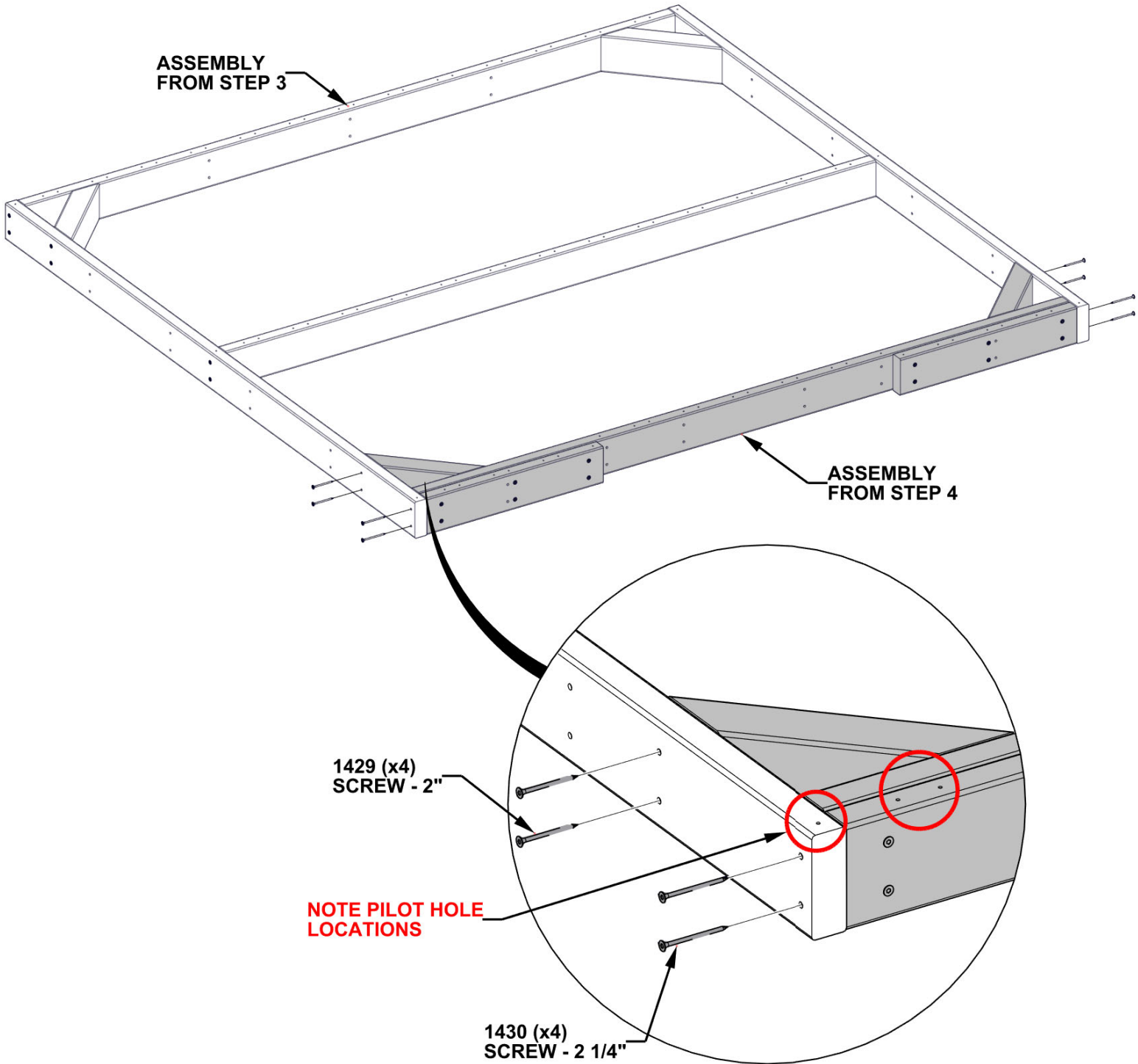
- ALIGN PILOT HOLES.



# STEP 5 - FLOOR ASSEMBLY

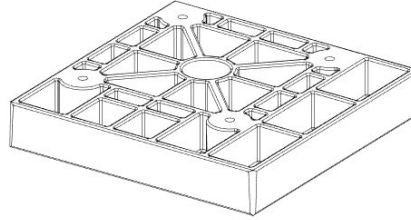
QTY	PART NUMBER	DESCRIPTION
4	H101429	SCREW TFH 8X2 SS-BLK
4	H101430	SCREW TFH 8X2 1/4 SS-BLK

- ALIGN PILOT HOLES.
- SQUARE ASSEMBLY AND TIGHTEN ALL HARDWARE.



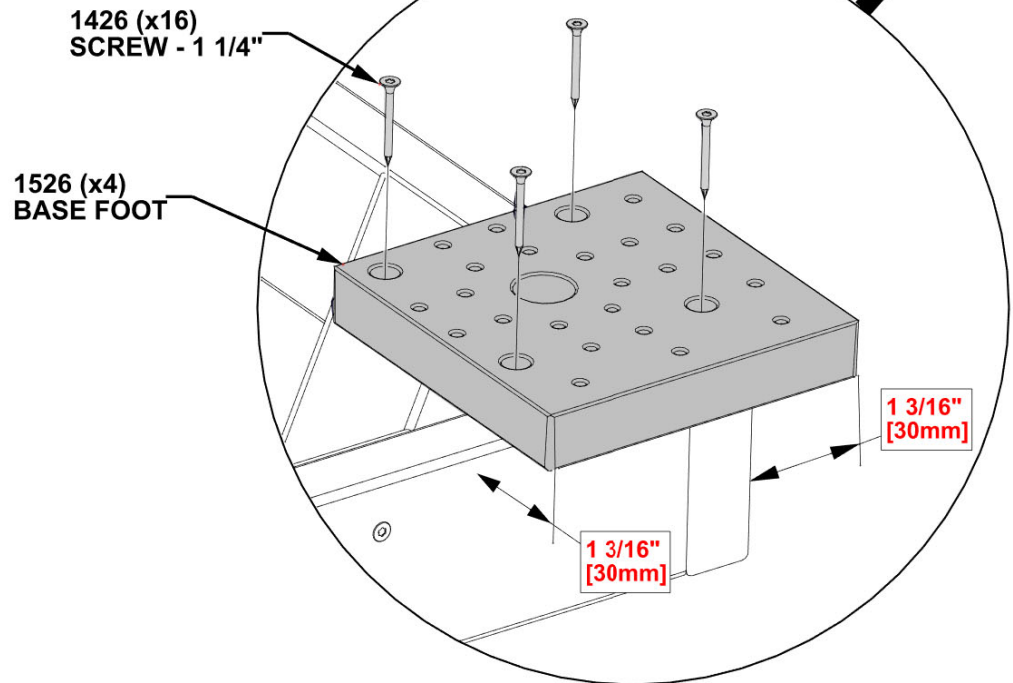
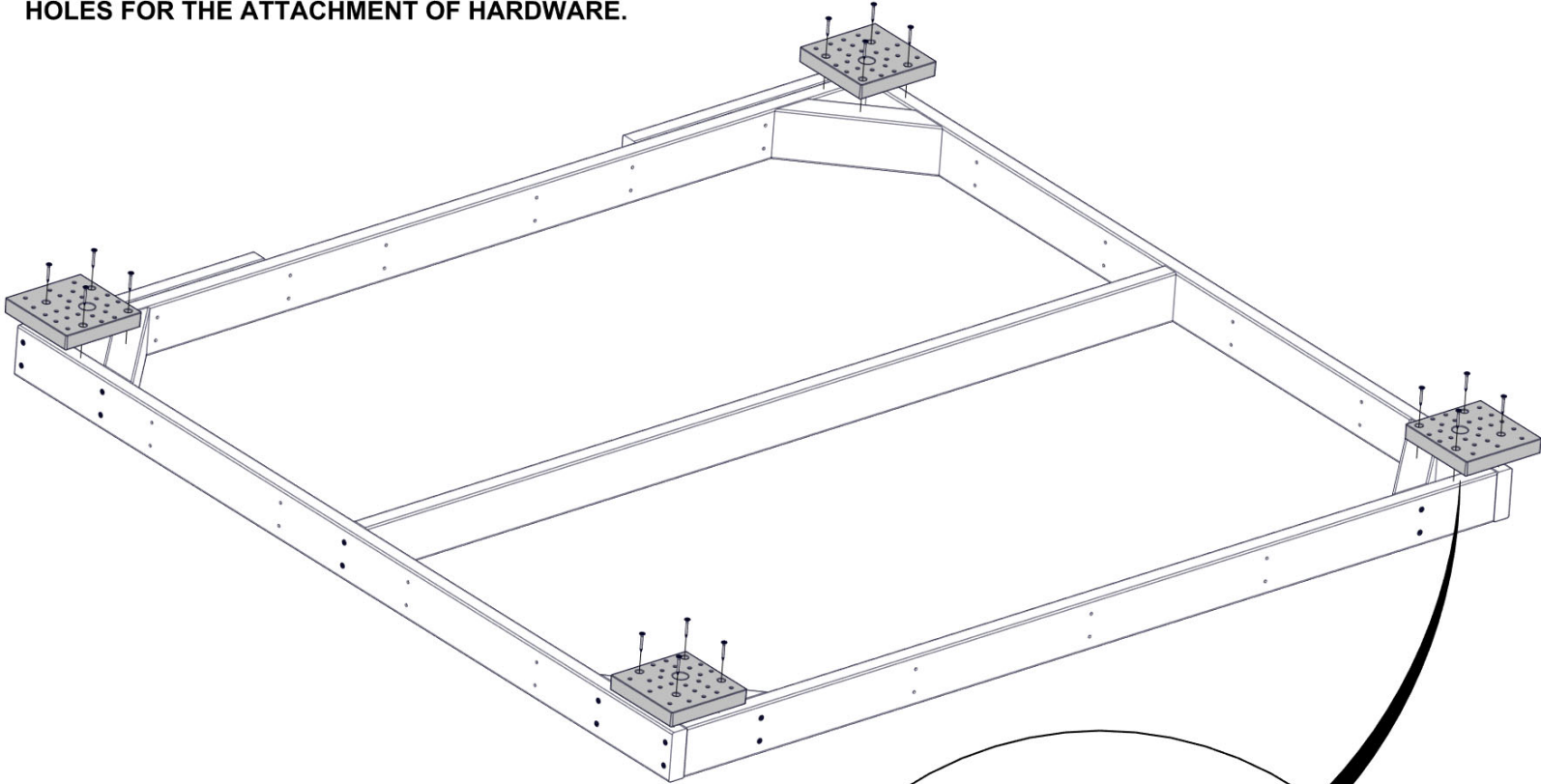
# STEP 6 - FLOOR ASSEMBLY

QTY	PART NUMBER	DESCRIPTION
16	H101426	SCREW TFH 8X1 1/4 SS-BLK



A6P01526 BASE FOOT  
(x4)

- FLIP ASSEMBLY OVER AND ATTACH FEET AS SHOWN.
- USE DIMENSIONS SHOWN AND DRILL A 1/8" [3mm] PILOT HOLES FOR THE ATTACHMENT OF HARDWARE.



# STEP 7 - WALL ASSEMBLY

QTY	PART NUMBER	DESCRIPTION
4	H100379	TNUT-5/16" BLK
63	H101429	SCREW TFH 8X2 SS-BLK

OJ01 WALL BOARD - W4L22347  
(x1) 1 3/16"x5 1/4"x63 1/16" (30x134x1602)

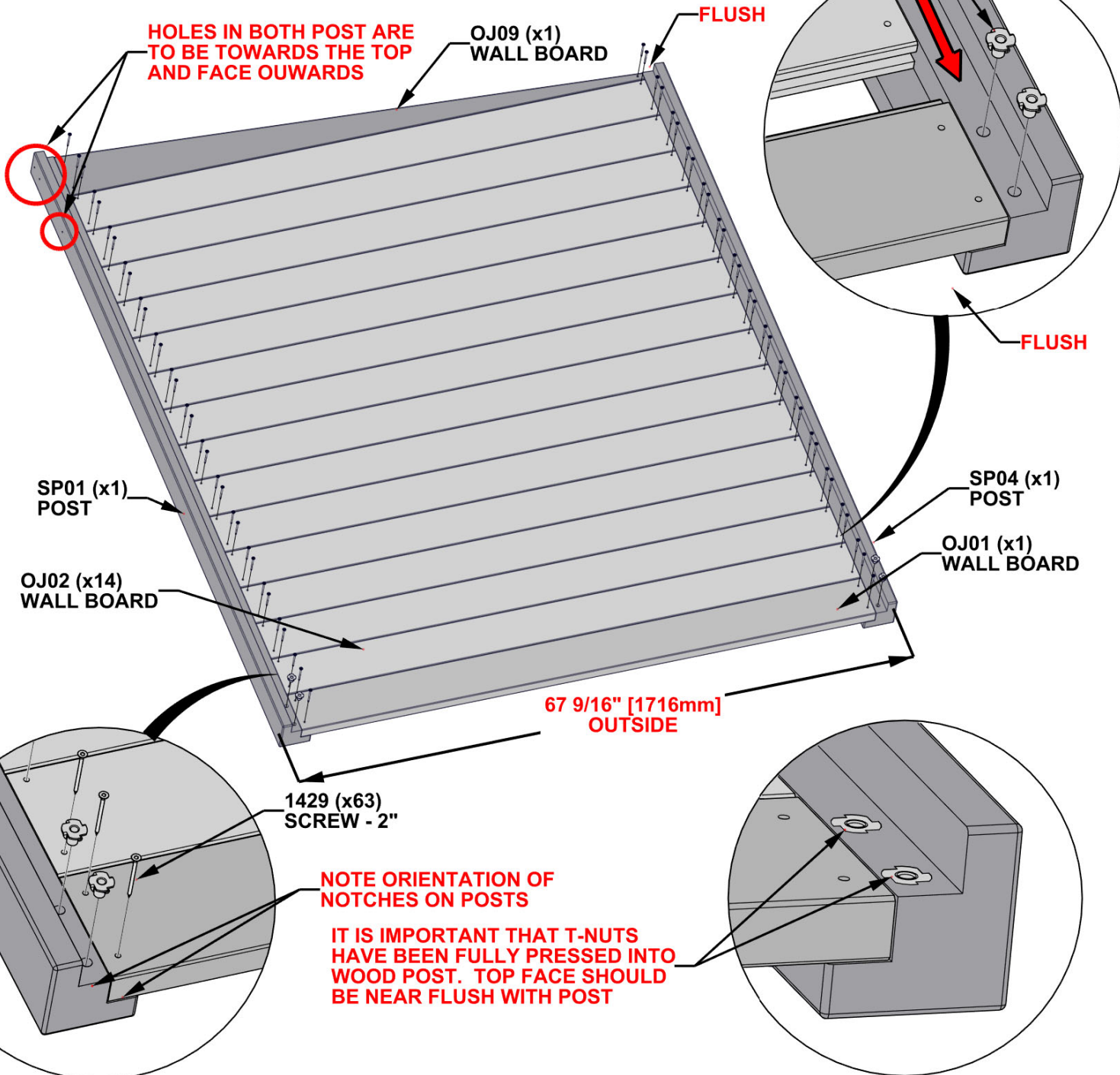
OJ02 WALL BOARD - W4L22348  
(x14) 1 3/16"x5 1/4"x63 1/16" (30x134x1602)

OJ09 WALL BOARD - W4L22357  
(x1) 1 3/16"x5 1/4"x63 1/16" (30x134x1602)

SP01 POST - W4L22341  
(x1) 3 3/8"x3 3/8"x77 13/16" (86x86x1976)

SP04 POST - W4L22344  
(x1) 3 3/8"x3 3/8"x73 5/16" (86x86x1862)

- INSERT TNUTS INTO POSTS FIRST (SEE IMPORTANT NOTE BELOW).
- RECOMMEND USING SAW HORSES FOR STEPS 7-9
- LAY WALL BOARDS IN GROOVE IN POSTS AS SHOWN.
- EVENLY SPACE WALL BOARDS.
- WALL BOARDS SHOULD BE FLUSH WITH THE TOP AND BOTTOM OF THE POST.
- HOLD DIMENSION AND TIGHTEN HARDWARE.





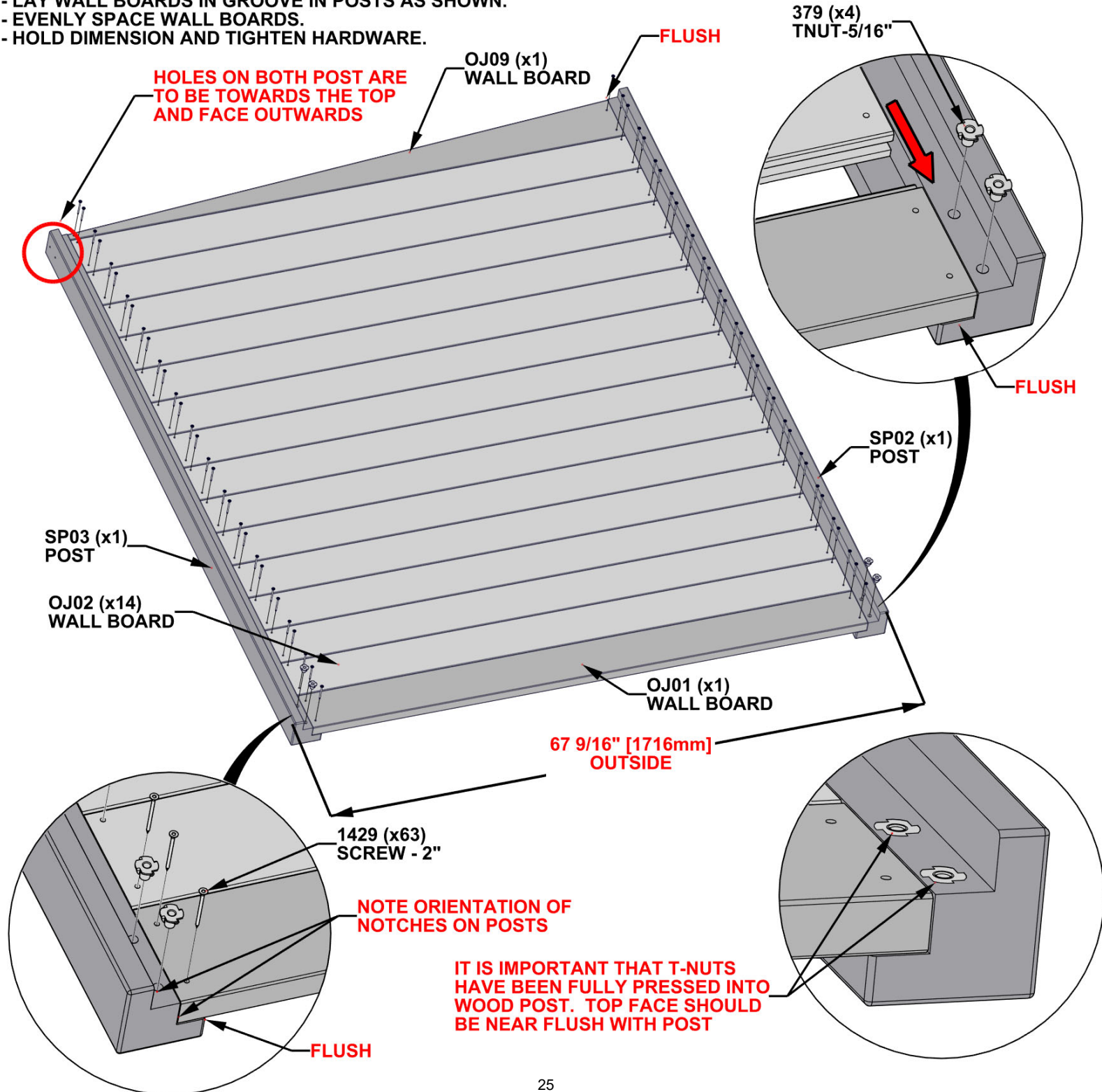
# STEP 8 - WALL ASSEMBLY

QTY	PART NUMBER	DESCRIPTION
4	H100379	TNUT-5/16" BLK
63	H101429	SCREW TFH 8X2 SS-BLK

OJ01	WALL BOARD - W4L22347	(x1) 1 3/16"x5 1/4"x63 1/16" (30x134x1602)
OJ02	WALL BOARD - W4L22348	(x14) 1 3/16"x5 1/4"x63 1/16" (30x134x1602)
OJ09	WALL BOARD - W4L22357	(x1) 1 3/16"x5 1/4"x63 1/16" (30x134x1602)

SP02	POST - W4L22342	(x1) 3 3/8"x3 3/8"x77 13/16" (86x86x1976)
SP03	POST - W4L22343	(x1) 3 3/8"x3 3/8"x73 5/16" (86x86x1862)

- INSERT TNUTS IN POST FIRST (SEE IMPORTANT NOTE BELOW).
- LAY WALL BOARDS IN GROOVE IN POSTS AS SHOWN.
- EVENLY SPACE WALL BOARDS.
- HOLD DIMENSION AND TIGHTEN HARDWARE.



# STEP 9 - WALL ASSEMBLY

QTY	PART NUMBER	DESCRIPTION
20	H101429	SCREW TFH 8X2 SS-BLK

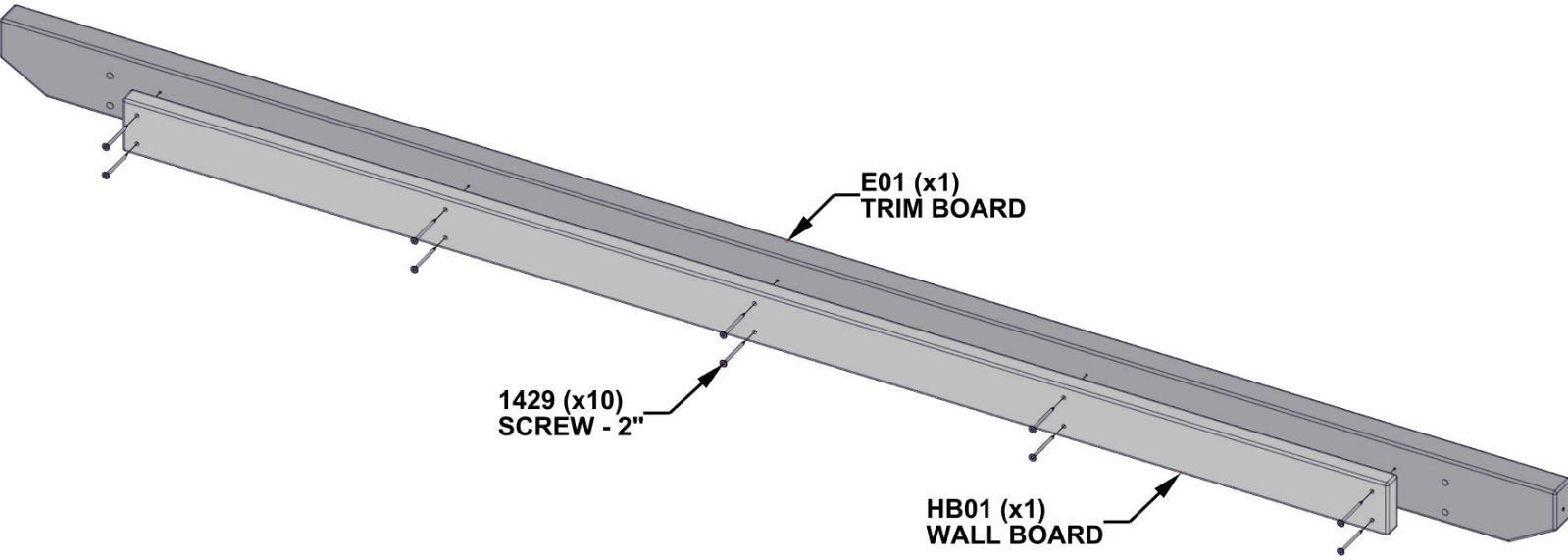


E01 TRIM BOARD - W4L22459  
(x2) 1 7/16"x3 3/8"x78 1/8" (36x86x1984)



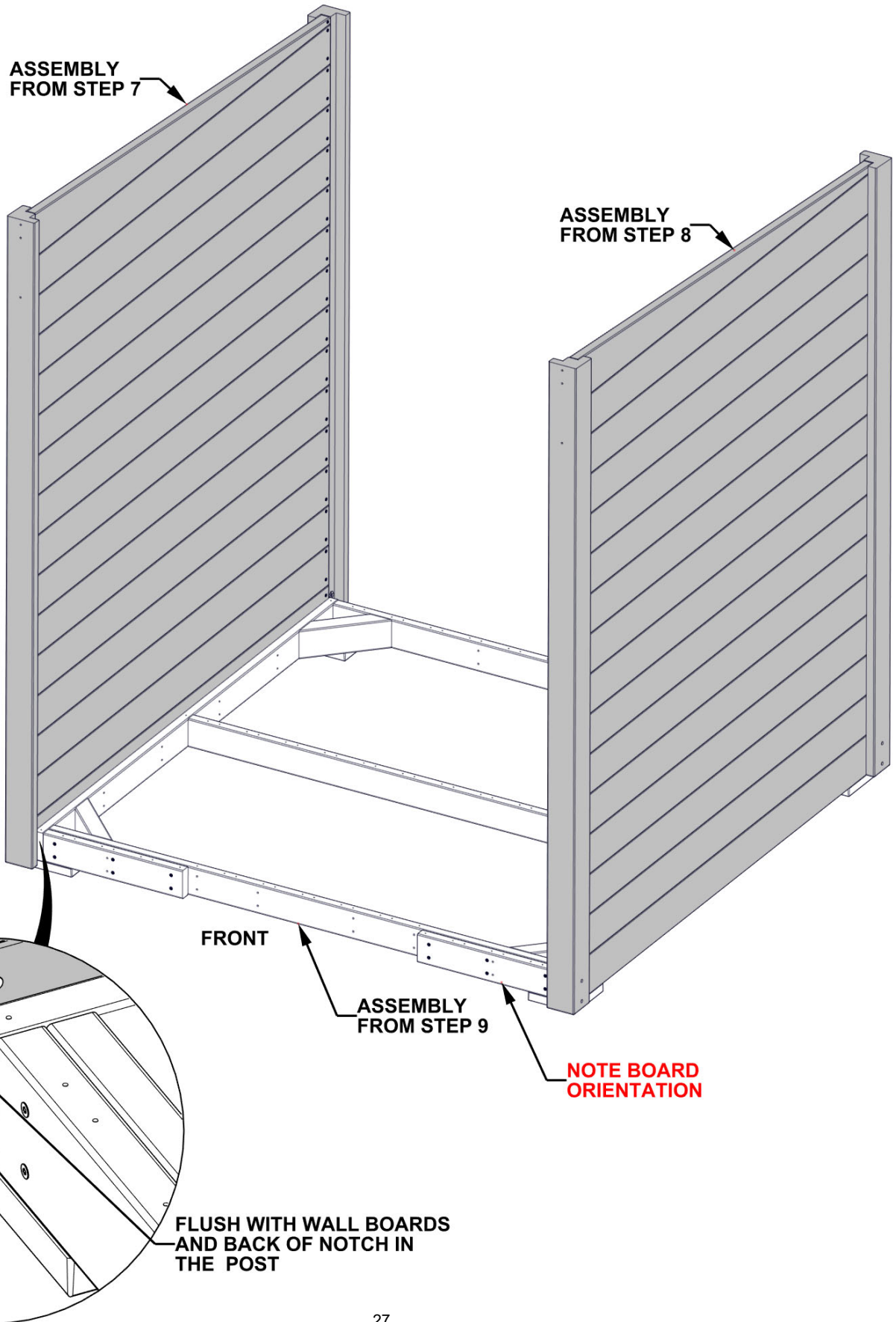
HB01 WALL BOARD - W4L22456  
(x2) 15/16"x2 3/4"x63 9/16" (24x70x1614)

- ALIGN HOLES IN BOARD HB01 WITH PILOT HOLES IN BOARD E01, THEN FASTEN AS SHOWN.
- REPEAT THIS STEP TWICE.



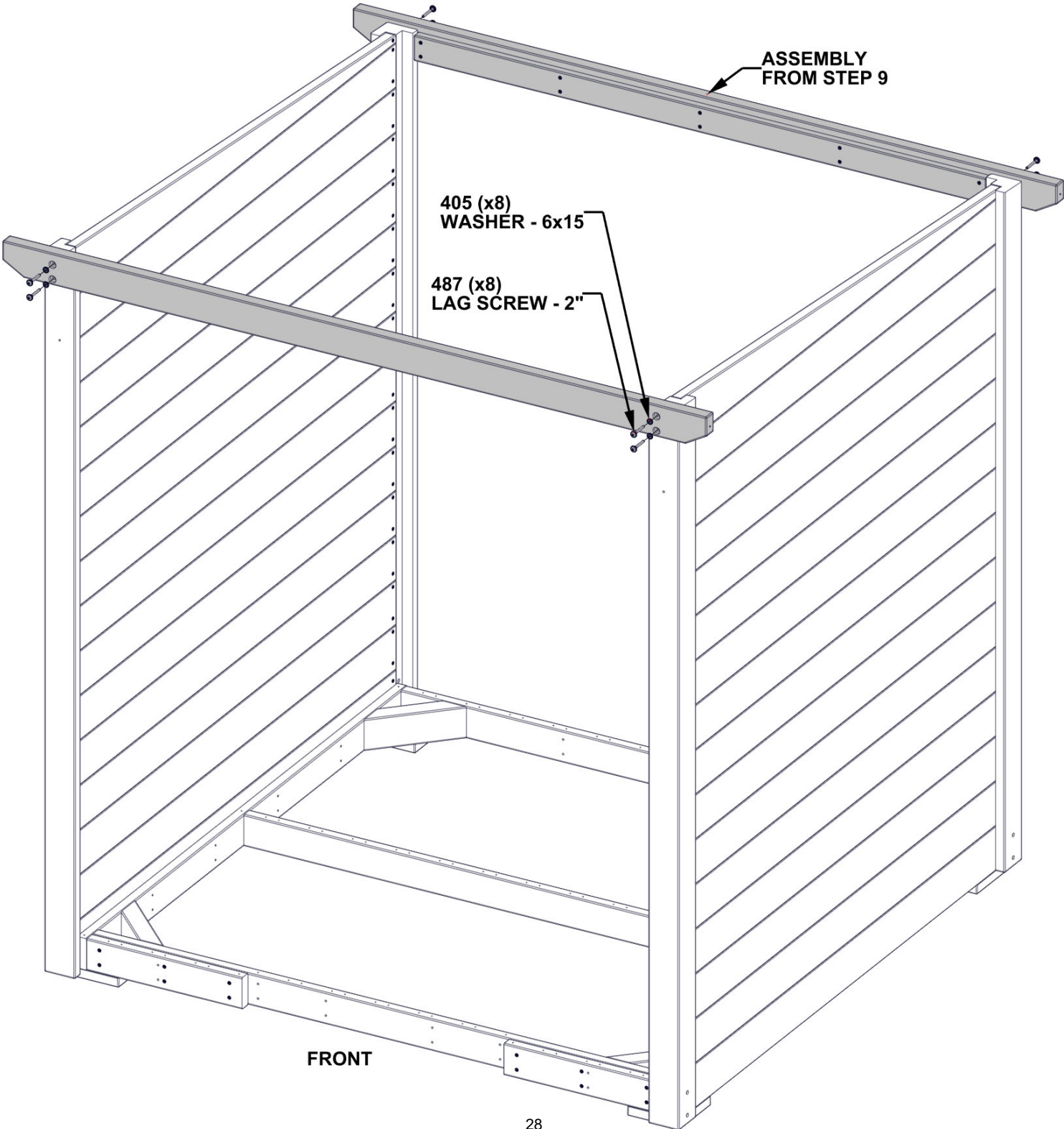
# STEP 10 - SAUNA ASSEMBLY

- FRONT OF ASSEMBLY IS DETERMINED BY TALLER POST.
- EXTRA PEOPLE MAY BE NEEDED FOR THIS STEP.
- STAND BOTH LEFT AND RIGHT WALL UP AND PUSHED AGAINST FLOOR FRAME.
- NOTE THE FRONT OF THE FLOOR FRAME WILL HAVE OG03 FLOOR JOIST AS SHOWN.



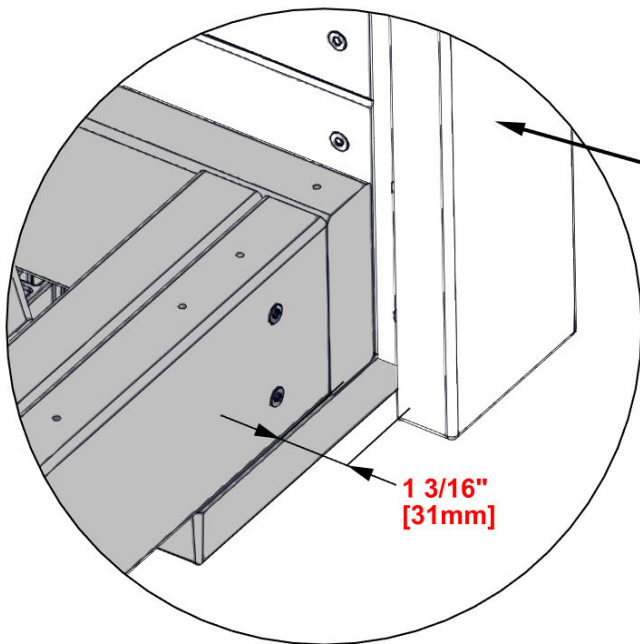
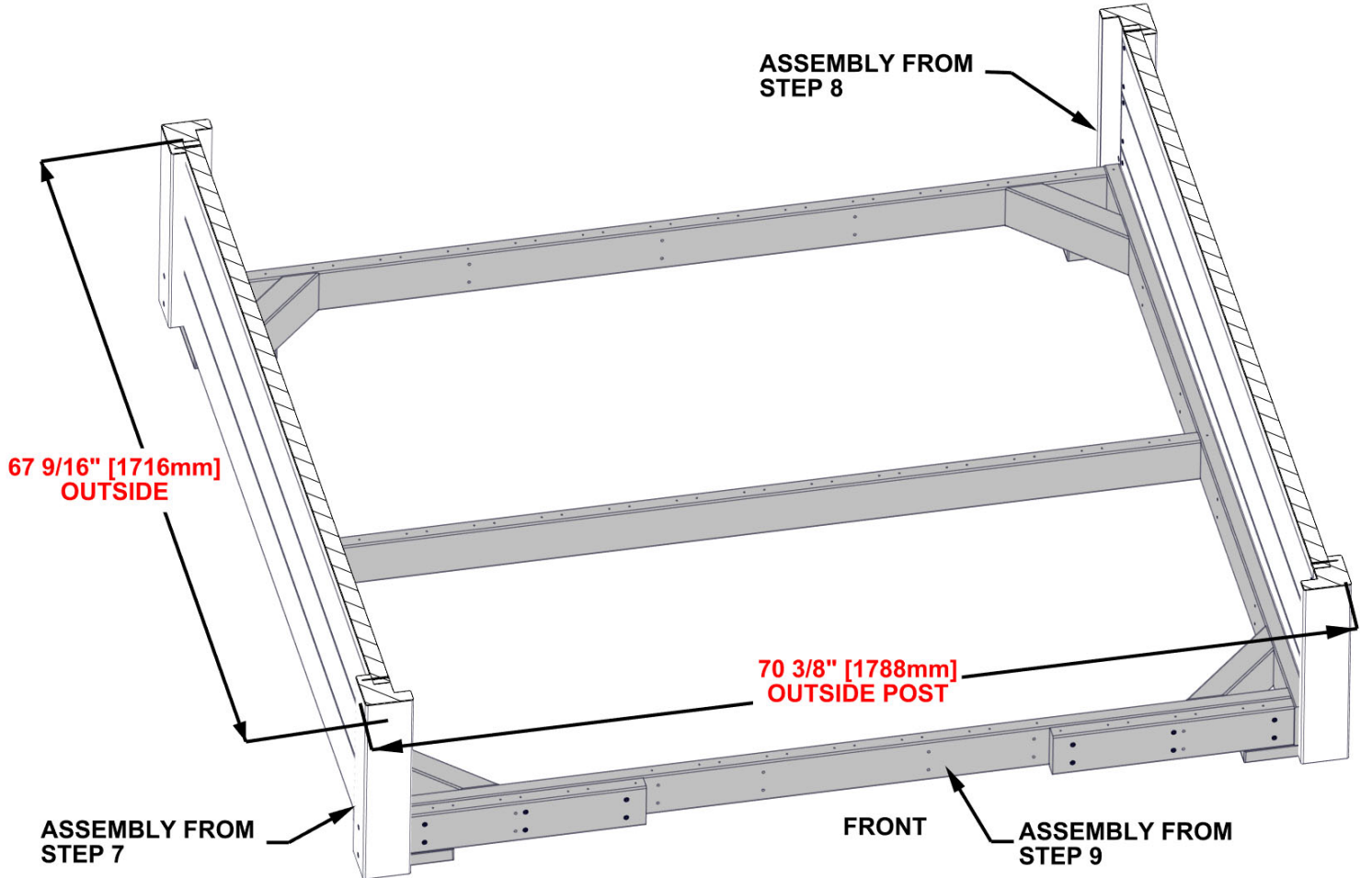
# STEP 11 - SAUNA ASSEMBLY

QTY	PART NUMBER	DESCRIPTION
8	H100405	WASHER LOCK EXT 6x15
8	H100487	LAG SCREW WH 1/4x2 BLK



# STEP 12 - SAUNA ASSEMBLY

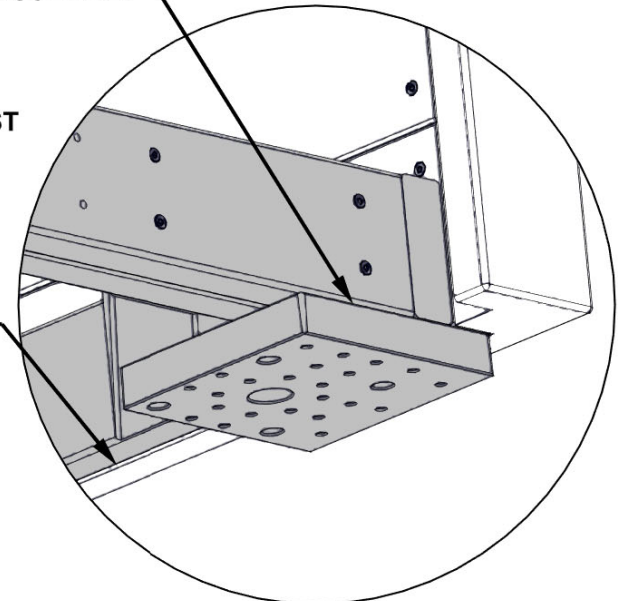
- MAKE SURE FLOOR FRAME IS SQUARE AND LEVEL.
- CAREFULLY LIFT WALLS AND PLACE ON TOP OF FLOOR ASSEMBLY FEET. SEE DETAIL BELOW.
- MAINTAIN THE 1 3/16" [31mm] GAP SHOWN BELOW ON ALL FOUR POST, FRONT AND BACK.



SIT WALL ASSEMBLIES ON TOP OF FLOOR ASSEMBLY FEET

ASSEMBLY FROM STEP 8 FRONT POST

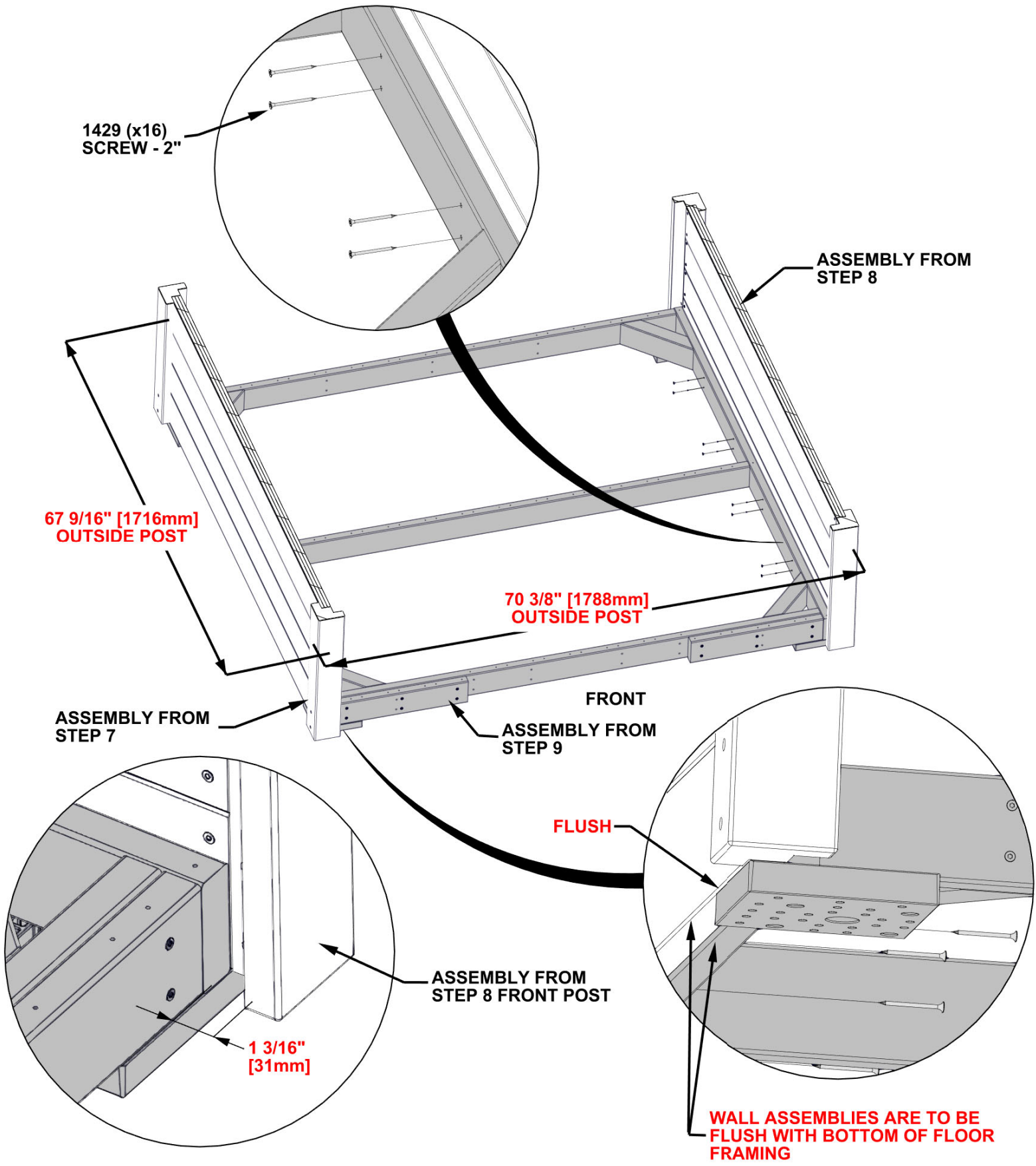
WALL AND FLOOR FRAME ARE TO BE FLUSH



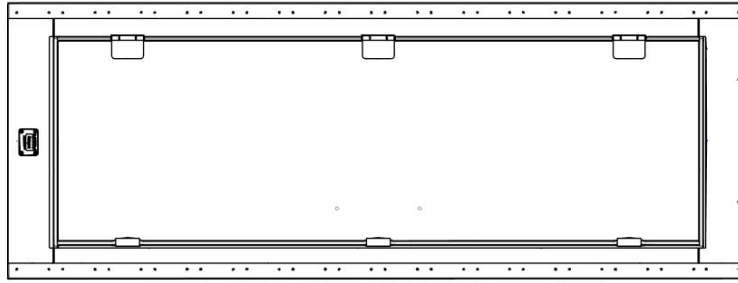
# STEP 13 - SAUNA ASSEMBLY

QTY	PART NUMBER	DESCRIPTION
16	H101429	SCREW TFH 8X2 SS-BLK

- AFTER ENSURING THE FLOOR FRAMING AND WALLS ARE FLUSH, LEVEL AND SQUARE, SECURE THE FLOOR FRAME TO THE WALL ASSEMBLIES AS SHOWN.

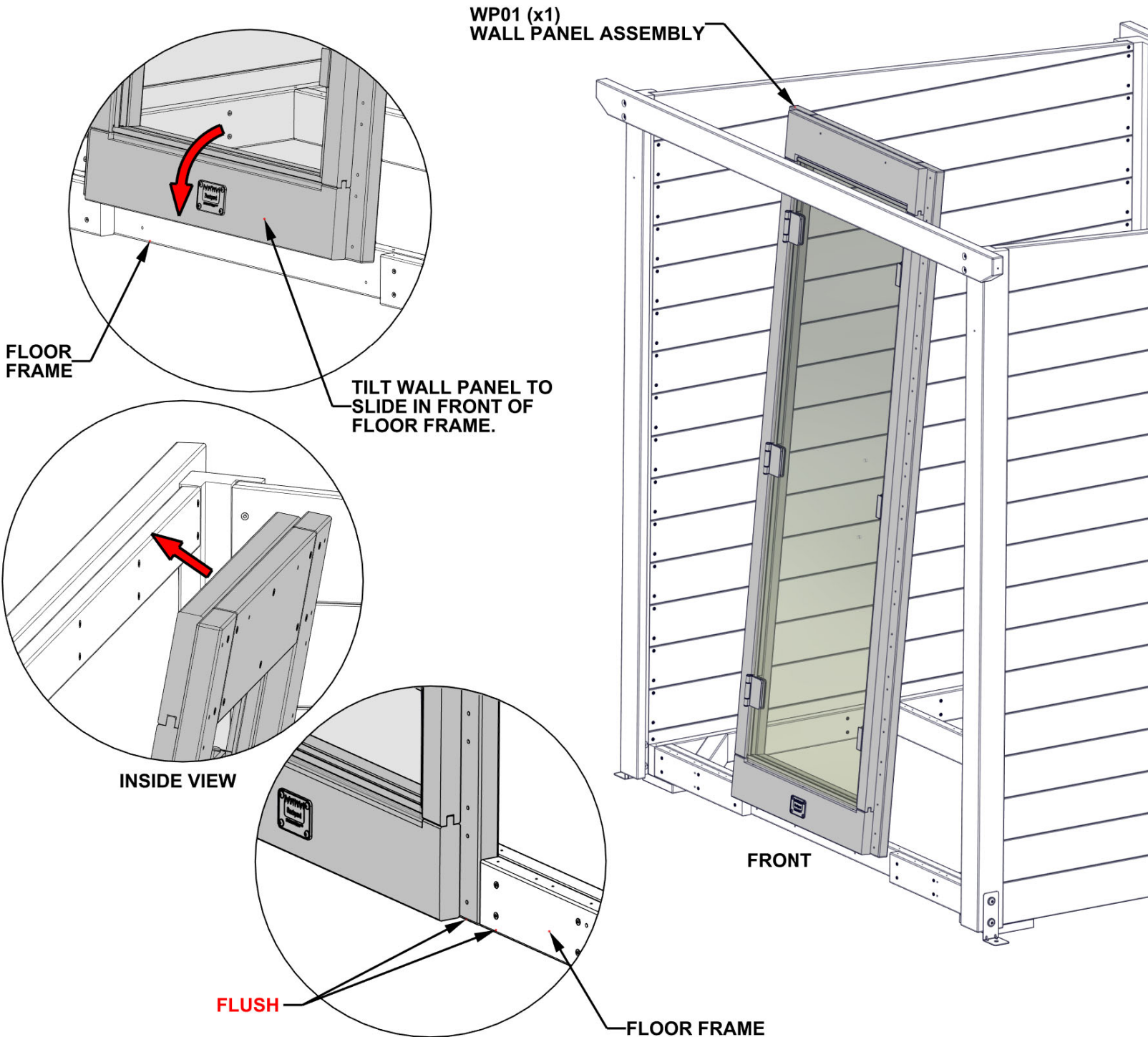


# STEP 14 - WALL ASSEMBLY



WP01 WALL PANEL ASSEMBLY - W2A04926  
(x1) 2 3/8"x28 7/8"x77 5/8" (60x734x1972)

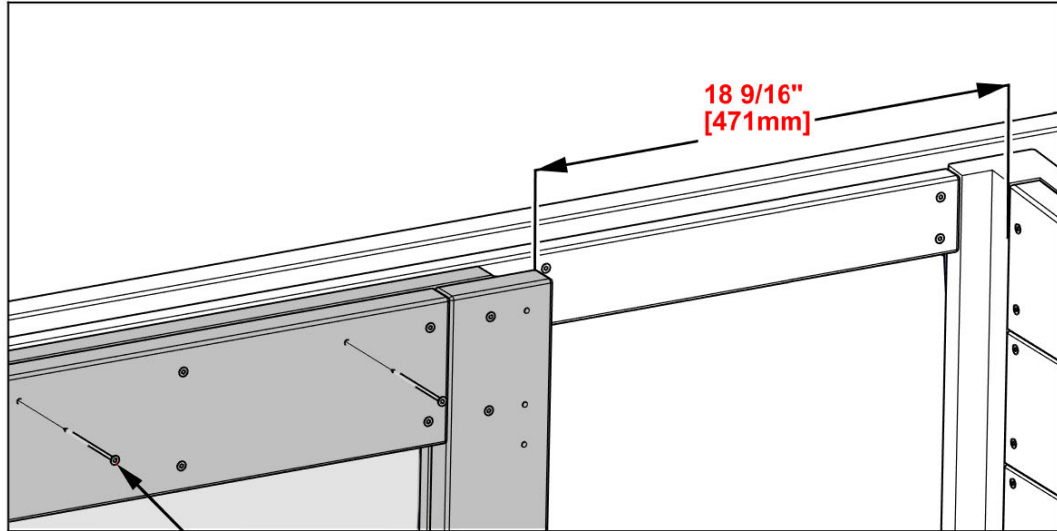
- BRING DOOR WALL PANEL ASSEMBLY IN FROM THE BACK AND TILT SLIGHTLY WHILE SLIDING DOWN IN BETWEEN THE TWO BOARDS ATTACHED TO FLOOR FRAME AS SHOWN.



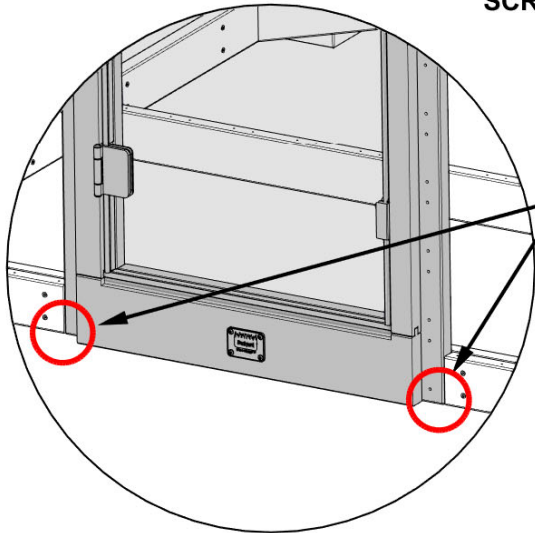
# STEP 15 - WALL ASSEMBLY

QTY	PART NUMBER	DESCRIPTION
4	H101434	SCREW TFH 8X3 1/4 SS-BLK
2	H101435	SCREW TFH 8X3 1/2 SS-BLK

- IT IS IMPORTANT TO DOUBLE CHECK TO ENSURE THE FLOOR, WALLS AND WALL PANEL ARE SQUARE AND LEVEL BEFORE ATTACHING WALL PANEL.
- ENSURE THAT BOTTOM OF DOOR FRAME WALL PANEL IS FLUSH WITH BOTTOM OF FLOOR ASSEMBLY (SEE DETAIL)

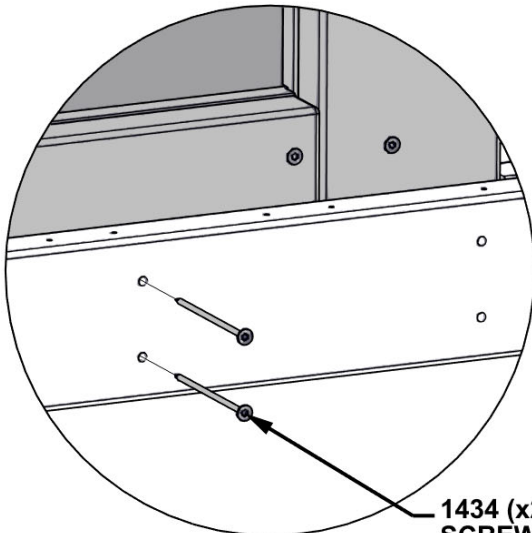


1435 (x2)  
SCREW - 3 1/2"

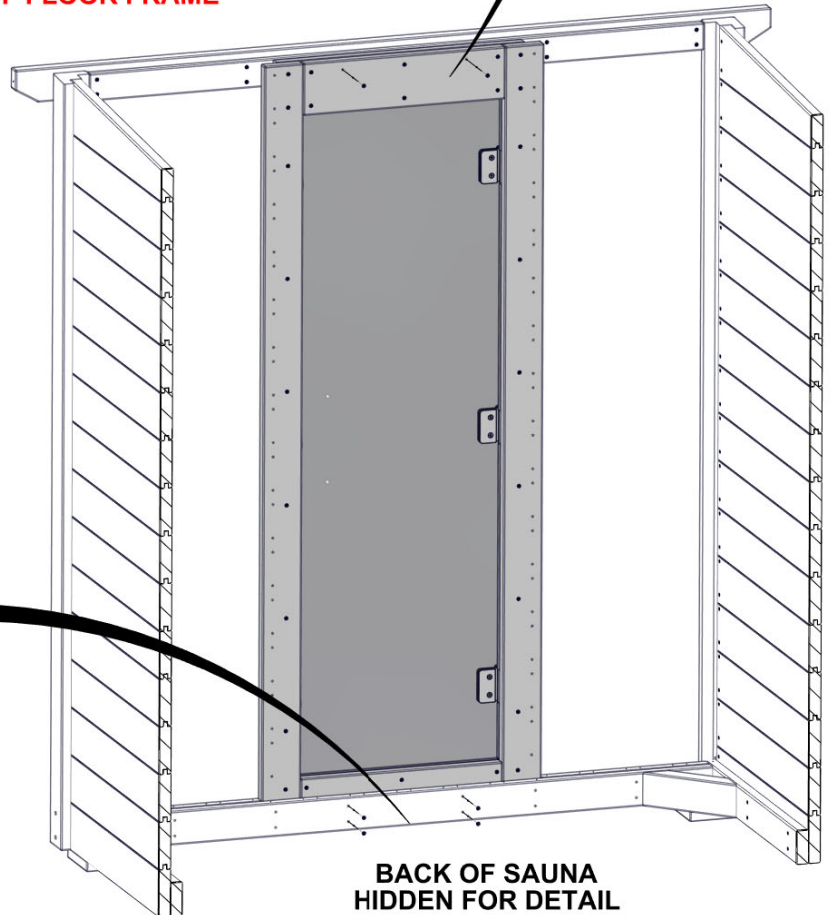


WALL PANEL ASSEMBLY IS TO BE FLUSH WITH BOTTOM OF FLOOR FRAME

FRONT VIEW



1434 (x2)  
SCREW - 3 1/4"



BACK OF SAUNA  
HIDDEN FOR DETAIL



# STEP 16 - WALL ASSEMBLY

QTY	PART NUMBER	DESCRIPTION
61	H101429	SCREW TFH 8X2 SS-BLK
4	H101434	SCREW TFH 8X3 1/4 SS-BLK



OJ11 WALL BOARD - W4L22477  
(x1) 1 3/16"x5 1/4"x20 1/8" (30x134x511)



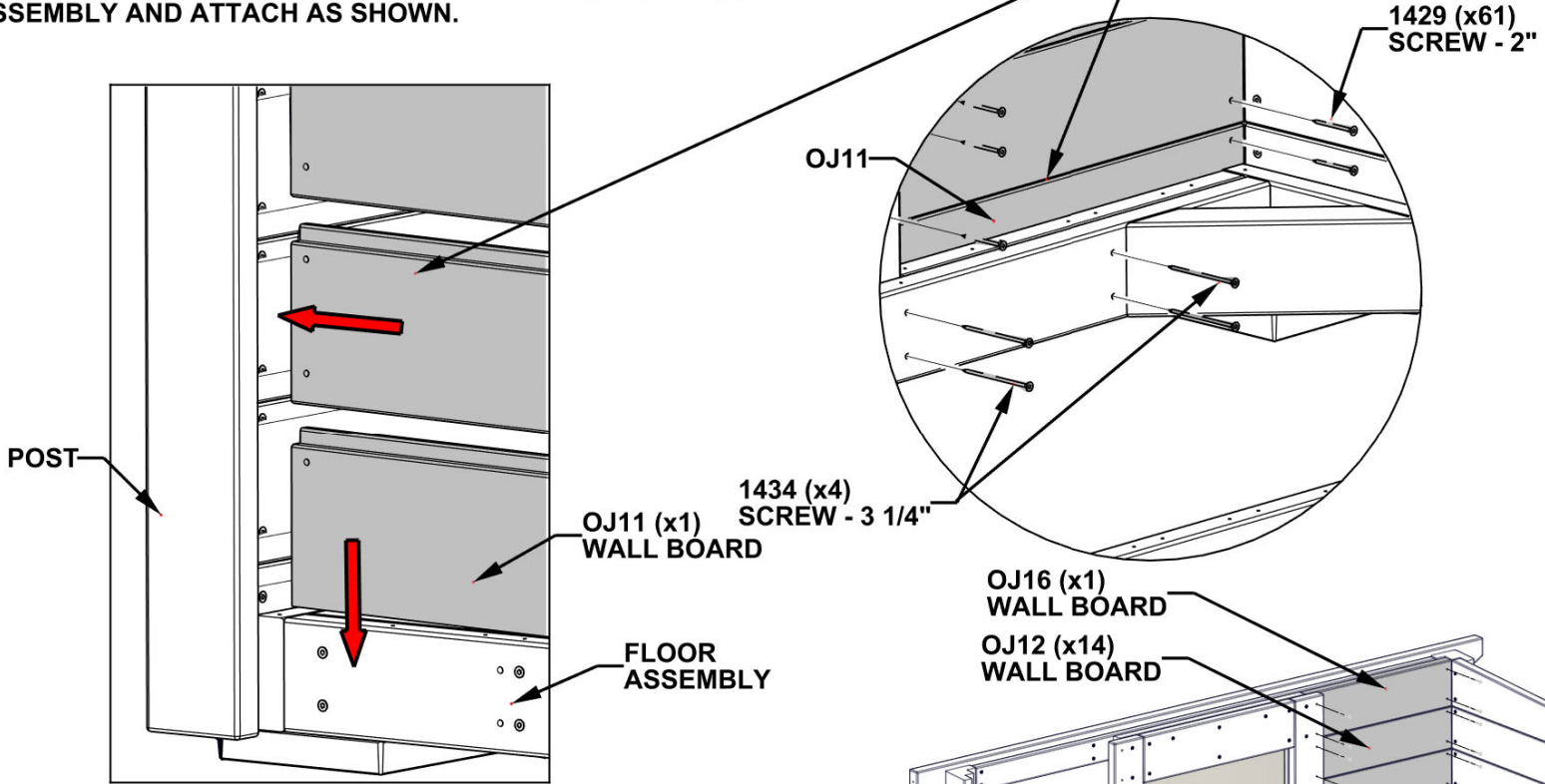
OJ12 WALL BOARD - W4L22478  
(x14) 1 3/16"x5 1/4"x20 1/8" (30x134x511)



OJ16 WALL BOARD - W4L22482  
(x1) 1 3/16"x5 1/4"x20 1/8" (30x134x511)

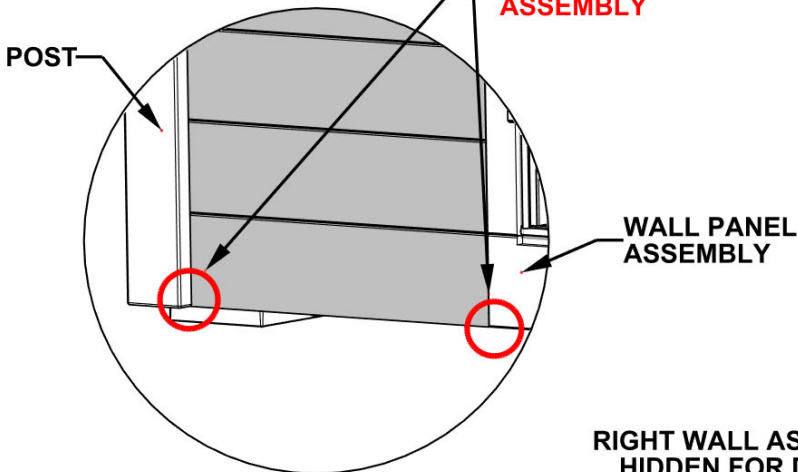
- SLIDE OJ11 BETWEEN FLOOR FRAME AND POST.
- OJ11 IS TO BE FLUSH WITH BOTTOM OF FLOOR FRAME AND WALL PANEL AND LEVEL.
- ATTACH OJ11 AS SHOWN.
- STACK OTHER WALL BOARDS ON TOP AS SHOWN.
- ALIGN HOLES IN WALL BOARDS WITH PILOT HOLES IN POST AND WALL PANEL ASSEMBLY AND ATTACH AS SHOWN.

**WALL SEAMS SHOULD LINE UP**



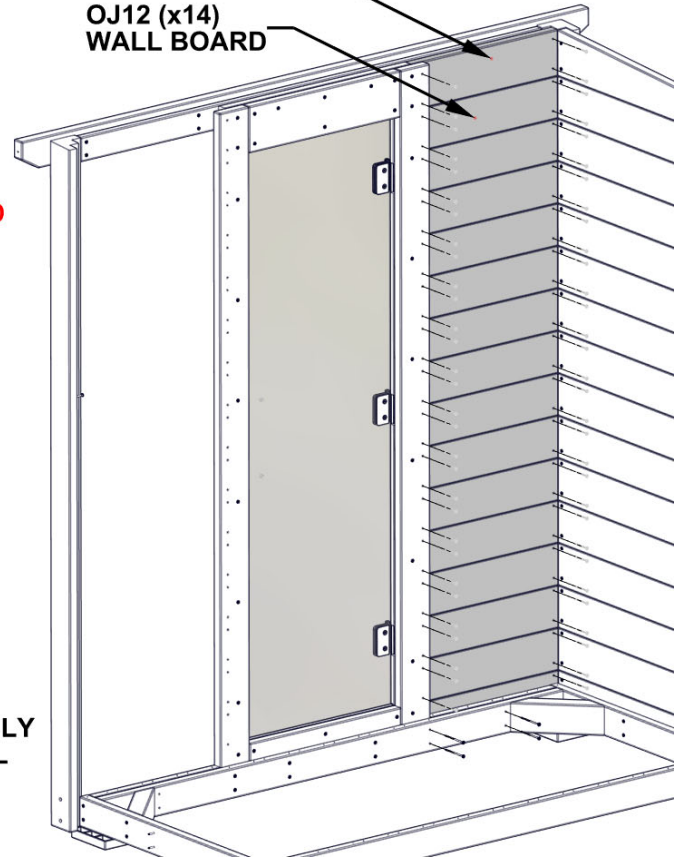
OUTSIDE VIEW

**ENSURE THAT WALL BOARD IS FLUSH WITH BOTTOM OF POST AND WALL PANEL ASSEMBLY**



OUTSIDE VIEW

RIGHT WALL ASSEMBLY HIDDEN FOR DETAIL



# STEP 17 - WALL ASSEMBLY

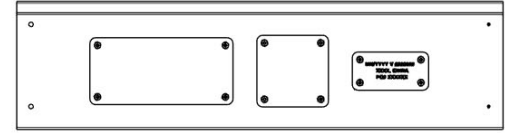
QTY	PART NUMBER	DESCRIPTION
30	H101429	SCREW TFH 8X2 SS-BLK
4	H101434	SCREW TFH 8X3 1/4 SS-BLK



OJ03 WALL BOARD - W4L22471  
(x1) 1 3/16"x5 1/4"x20 1/8" (30x134x511)

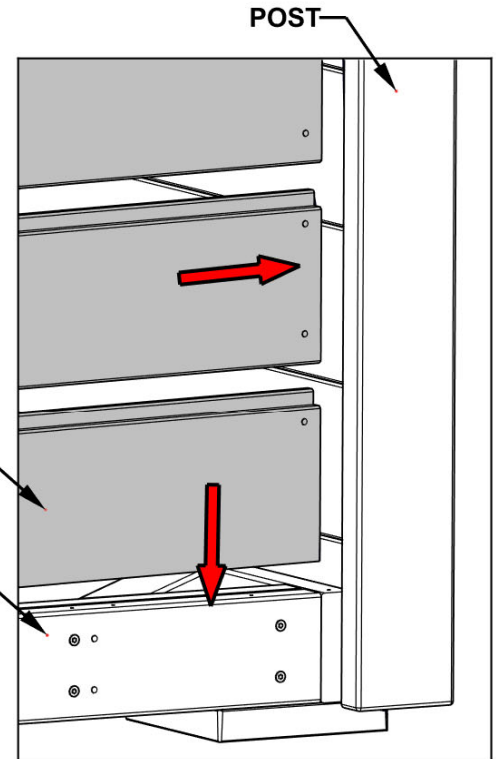
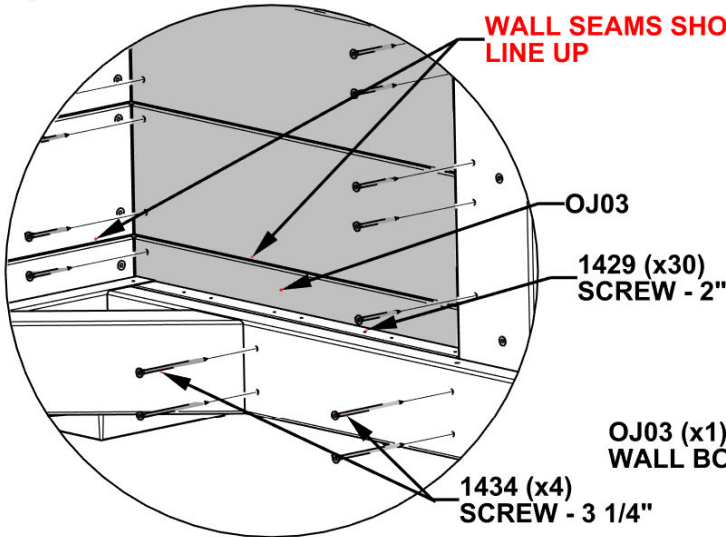


OJ04 WALL BOARD - W4L22472  
(x6) 1 3/16"x5 1/4"x20 1/8" (30x134x511)

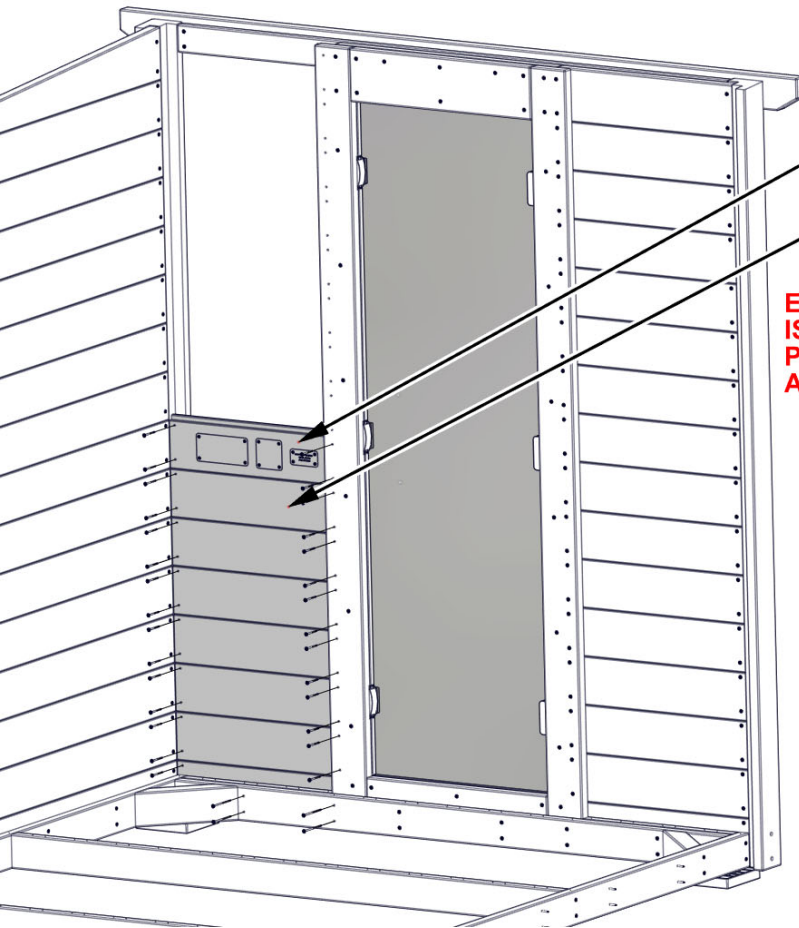


WB01 WALL BOARD ASSEMBLY - W2A05157  
(x1) 1 3/16"x5 1/4"x20 1/8" (30x134x511)

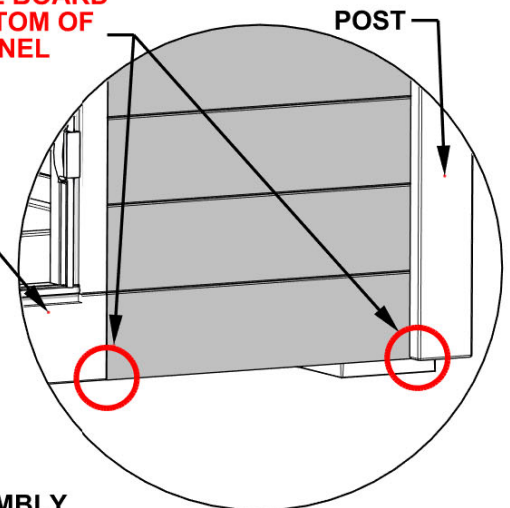
- SLIDE OJ03 BETWEEN FLOOR FRAME AND POST.
- OJ03 IS TO BE FLUSH WITH BOTTOM OF FLOOR FRAME AND DOOR WALL PANEL AND LEVEL.
- ATTACH OJ03 AS SHOWN.
- STACK OTHER WALL BOARDS ON TOP AS SHOWN.
- ALIGN HOLES IN WALL BOARDS WITH PILOT HOLES IN POST AND DOOR WALL PANEL ASSEMBLY AND ATTACH AS SHOWN.



OUTSIDE VIEW



ENSURE THAT WALL BOARD IS FLUSH WITH BOTTOM OF POST AND WALL PANEL ASSEMBLY



OUTSIDE VIEW

LEFT WALL ASSEMBLY HIDDEN FOR DETAIL

# STEP 18 - WALL ASSEMBLY

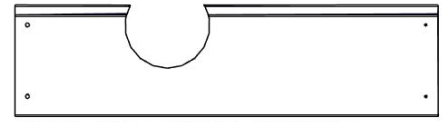
QTY	PART NUMBER	DESCRIPTION
32	H101429	SCREW TFH 8X2 SS-BLK



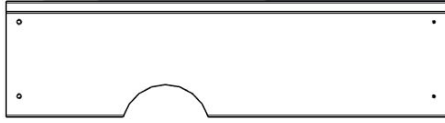
OJ04 WALL BOARD - W4L22472  
(x4) 1 3/16"x5 1/4"x20 1/8" (30x134x511)



OJ05 WALL BOARD - W4L22473  
(x1) 1 3/16"x5 1/4"x20 1/8" (30x134x511)



OJ06 WALL BOARD - W4L22474  
(x1) 1 3/16"x5 1/4"x20 1/8" (30x134x511)

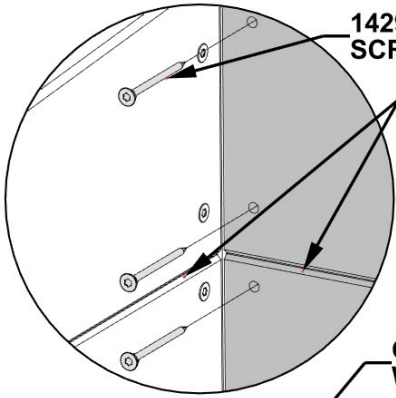


OJ07 WALL BOARD - W4L22475  
(x1) 1 3/16"x5 1/4"x20 1/8" (30x134x511)



OJ08 WALL BOARD - W4L22476  
(x1) 1 3/16"x5 1/4"x20 1/8" (30x134x511)

- STACK REMAINING WALL BOARDS AS SHOWN. NOTE THRU HOLE PLACEMENT.
- ALIGN HOLES IN WALL BOARDS WITH PILOT HOLES IN POST AND DOOR WALL PANEL ASSEMBLY AND ATTACH AS SHOWN.
- THE LAST WALL BOARD OJ07 WILL NEED TO SLIDE IN FROM THE TOP OF THE DOOR WALL PANEL ASSEMBLY.



1429 (x32)  
SCREW - 2"

**WALL SEAMS SHOULD  
LINE UP**

OJ08 (x1)  
WALL BOARD

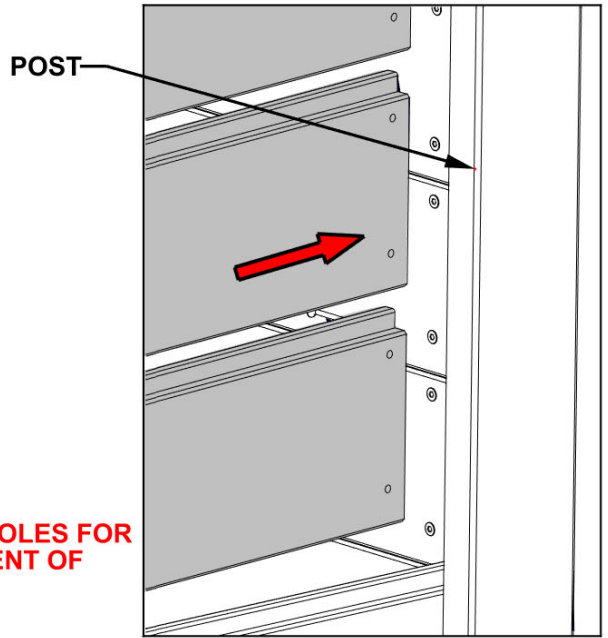
OJ07 (x1)  
WALL BOARD

OJ06 (x1)  
WALL BOARD

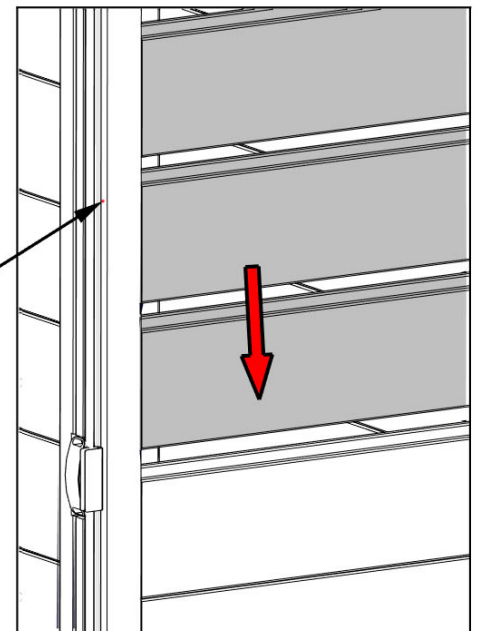
OJ05 (x1)  
WALL BOARD

**NOTE THROUGH HOLES FOR  
PROPER PLACEMENT OF  
WALL BOARDS**

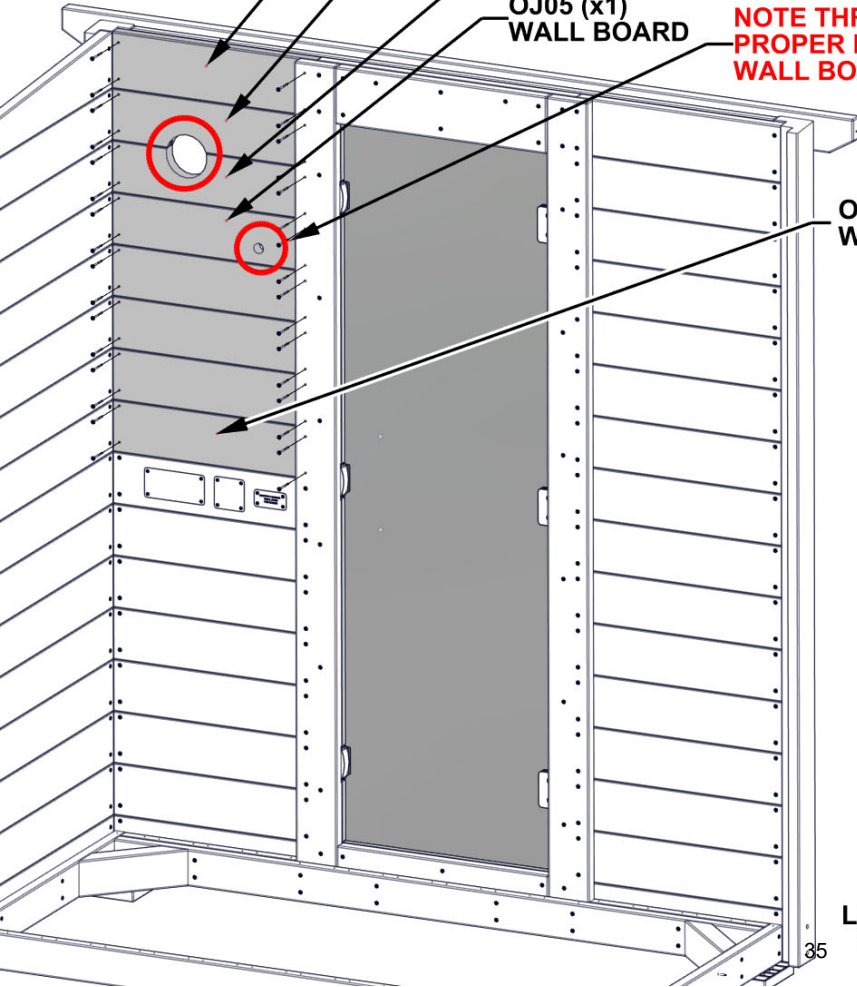
OJ04 (x4)  
WALL BOARD



OUTSIDE VIEW



OUTSIDE VIEW



WALL PANEL  
ASSEMBLY

LEFT WALL ASSEMBLY  
HIDDEN FOR DETAIL

# STEP 19 - WALL ASSEMBLY

QTY	PART NUMBER	DESCRIPTION
14	H101429	SCREW TFH 8X2 SS-BLK

OJ19 WALL BOARD - W4L22486  
(x1) 1 3/16"x5 1/4"x65 7/8" (30x134x1674)

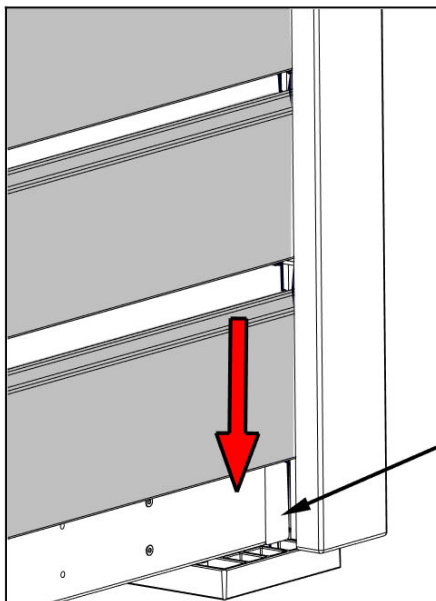
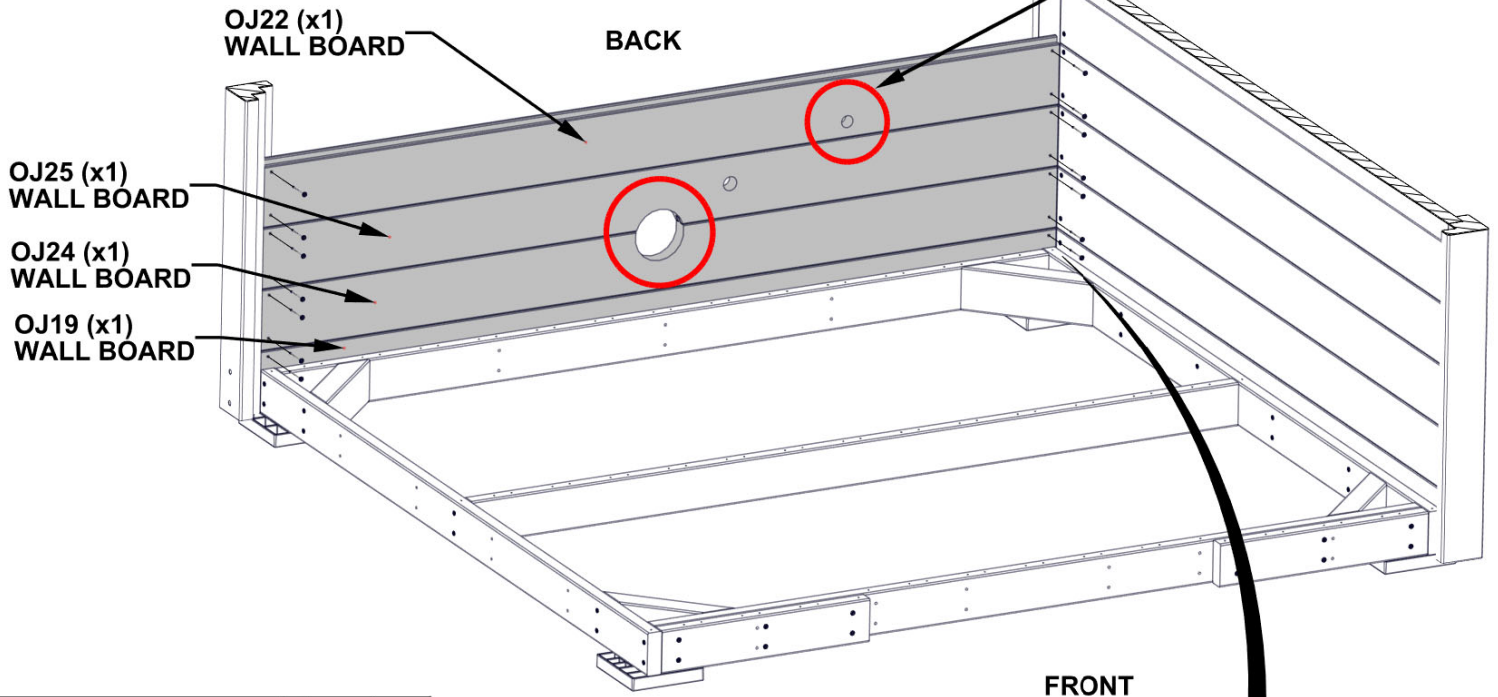
OJ22 WALL BOARD - W4L22489  
(x1) 1 3/16"x5 1/4"x65 7/8" (30x134x1674)

OJ24 WALL BOARD - W4L22491  
(x1) 1 3/16"x5 1/4"x65 7/8" (30x134x1674)

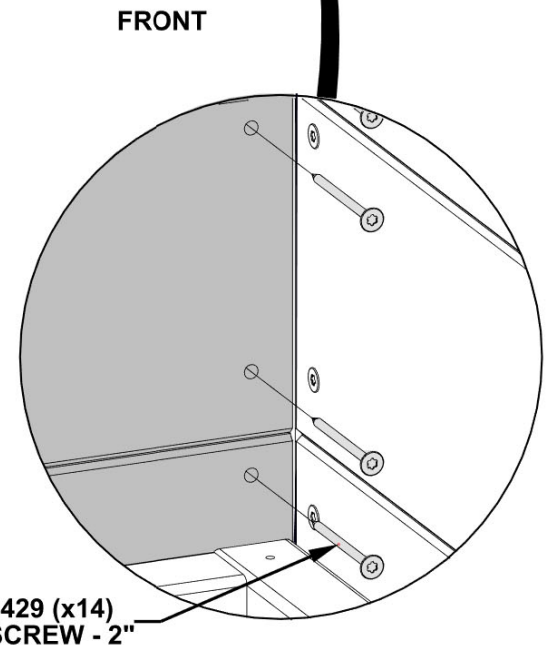
OJ25 WALL BOARD - W4L22492  
(x1) 1 3/16"x5 1/4"x65 7/8" (30x134x1674)

- SLIDE OJ03 BETWEEN FLOOR FRAME AND POSTS UNTIL IT REST ON TOP OF FLOOR ASSEMBLY FOOT.
- ENSURE THAT OJ03 IS FLUSH WITH BOTTOM OF FLOOR FRAME AND LEVEL.
- FASTEN AS SHOWN.
- STACK OTHER WALL BOARDS ON TOP AS SHOWN.
- ALIGN HOLES IN WALL BOARDS WITH PILOT HOLES IN POSTS AND ATTACH AS SHOWN.

**NOTE THROUGH HOLES FOR PROPER PLACEMENT OF WALL BOARDS**



OUTSIDE VIEW



# STEP 20 - WALL ASSEMBLY

QTY	PART NUMBER	DESCRIPTION
50	H101429	SCREW TFH 8X2 SS-BLK

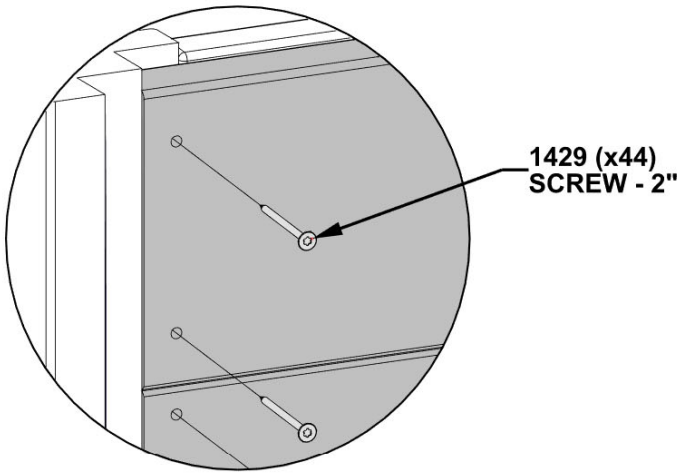


OJ20 WALL BOARD - W4L22487  
(x10) 1 3/16"x5 5/16"x65 7/8" (30x134x1674)



OJ21 WALL BOARD - W4L22488  
(x) 1 3/16"x5 1/4"x65 7/8" (30x134x1674)

- EVENLY SPACE REMAINING WALL BOARDS AS SHOWN. NOTE THROUGH HOLE PLACEMENTS.
- ALIGN HOLES IN WALL BOARDS WITH PILOT HOLES IN POSTS AND ATTACH AS SHOWN.

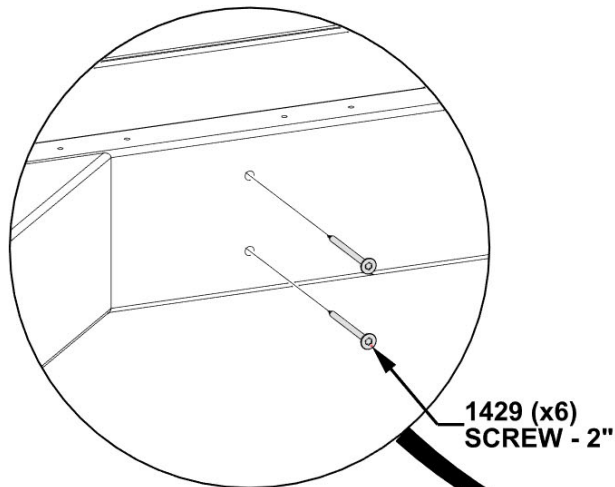


**NOTE THROUGH HOLES FOR PROPER PLACEMENT OF WALL BOARDS**

OJ21 (x1) WALL BOARD

18" [457mm]

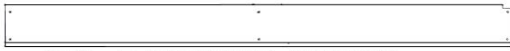
OJ20 (x10) WALL BOARD



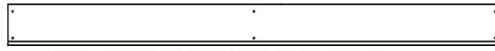
LEFT WALL ASSEMBLY HIDDEN FOR DETAIL

# STEP 21 - FLOOR ASSEMBLY

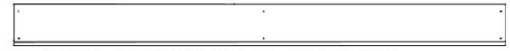
QTY	PART NUMBER	DESCRIPTION
42	H101429	SCREW TFH 8X2 SS-BLK



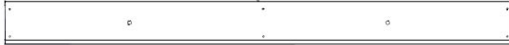
OJ13 FLOOR BOARD - W4L22479  
(x1) 1 3/16"x5 1/4"x63 1/16" (30x134x1602)



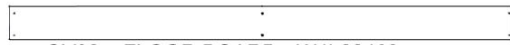
OJ15 FLOOR BOARD - W4L22481  
(x2) 1 3/16"x5 1/4"x63 1/16" (30x134x1602)



OJ17 FLOOR BOARD - W4L22483  
(x2) 1 3/16"x5 1/4"x61 7/8" (30x134x1572)

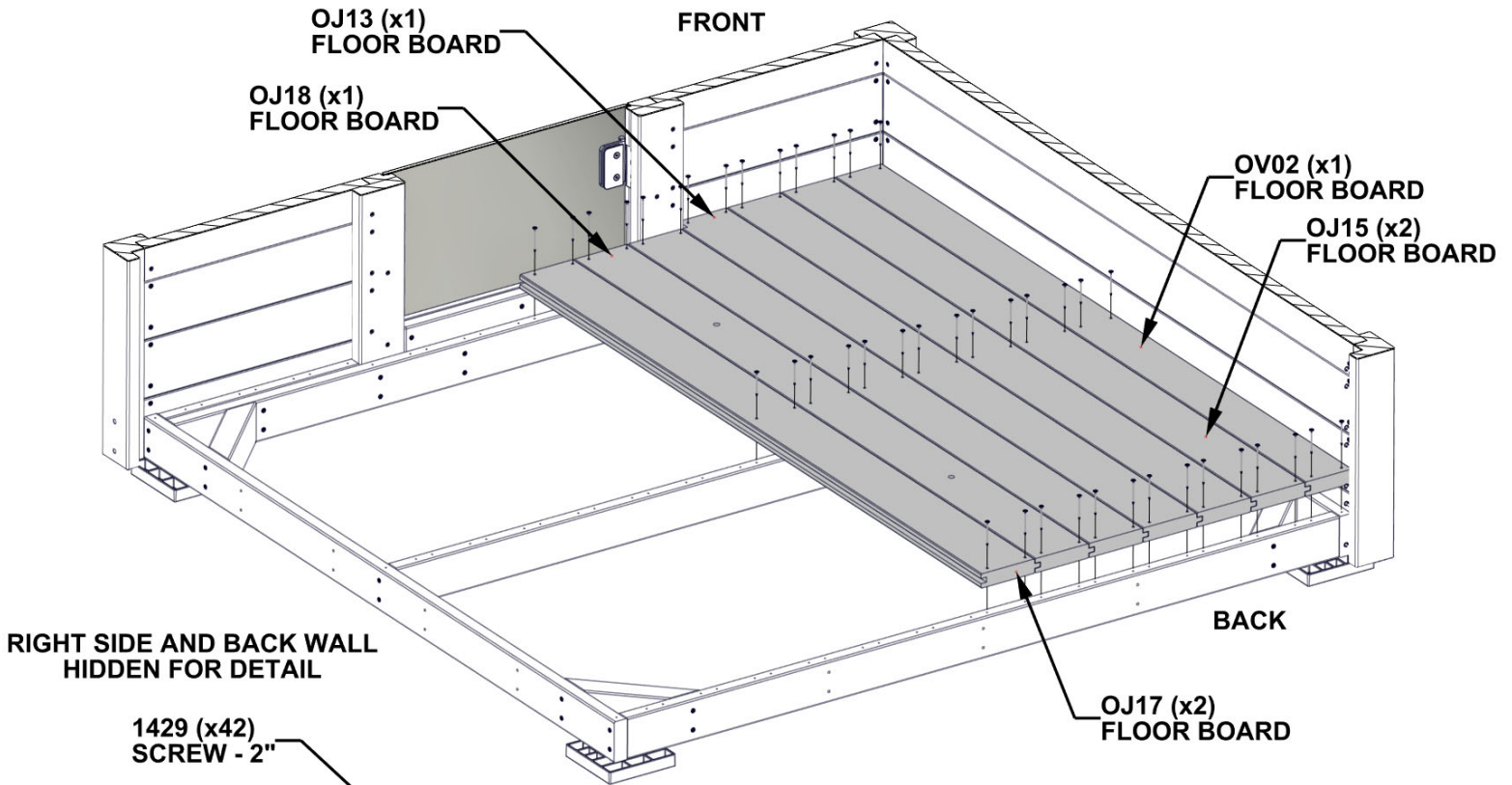


OJ18 FLOOR BOARD - W4L22484  
(x1) 1 3/16"x5 1/4"x61 7/8" (30x134x1572)

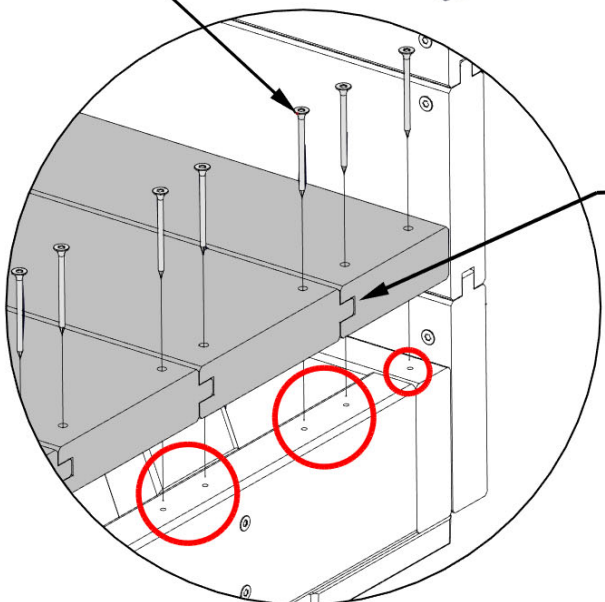


OV02 FLOOR BOARD - W4L22468  
(x1) 1 3/16"x4 1/4"x63 1/16" (30x107x1602)

- EVENLY SPACE FLOOR BOARDS.
- ALIGN HOLES IN FLOOR BOARDS WITH PILOT HOLES IN FLOOR FRAME AND ATTACH AS SHOWN.



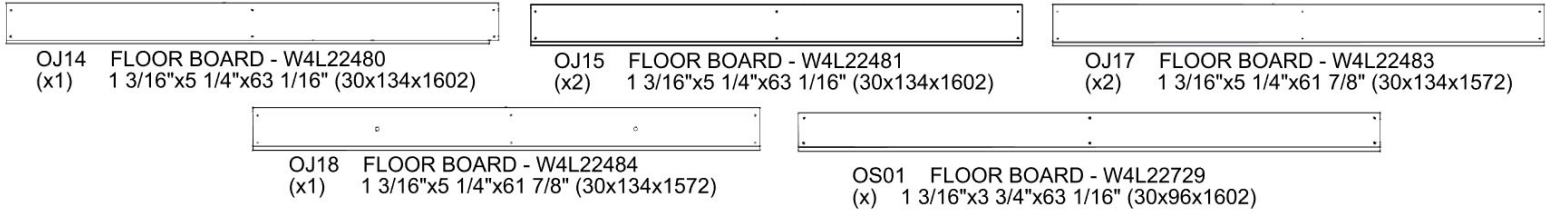
1429 (x42) SCREW - 2"



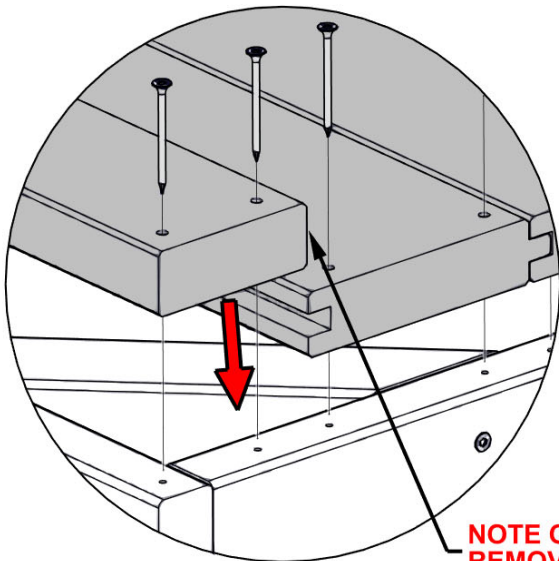
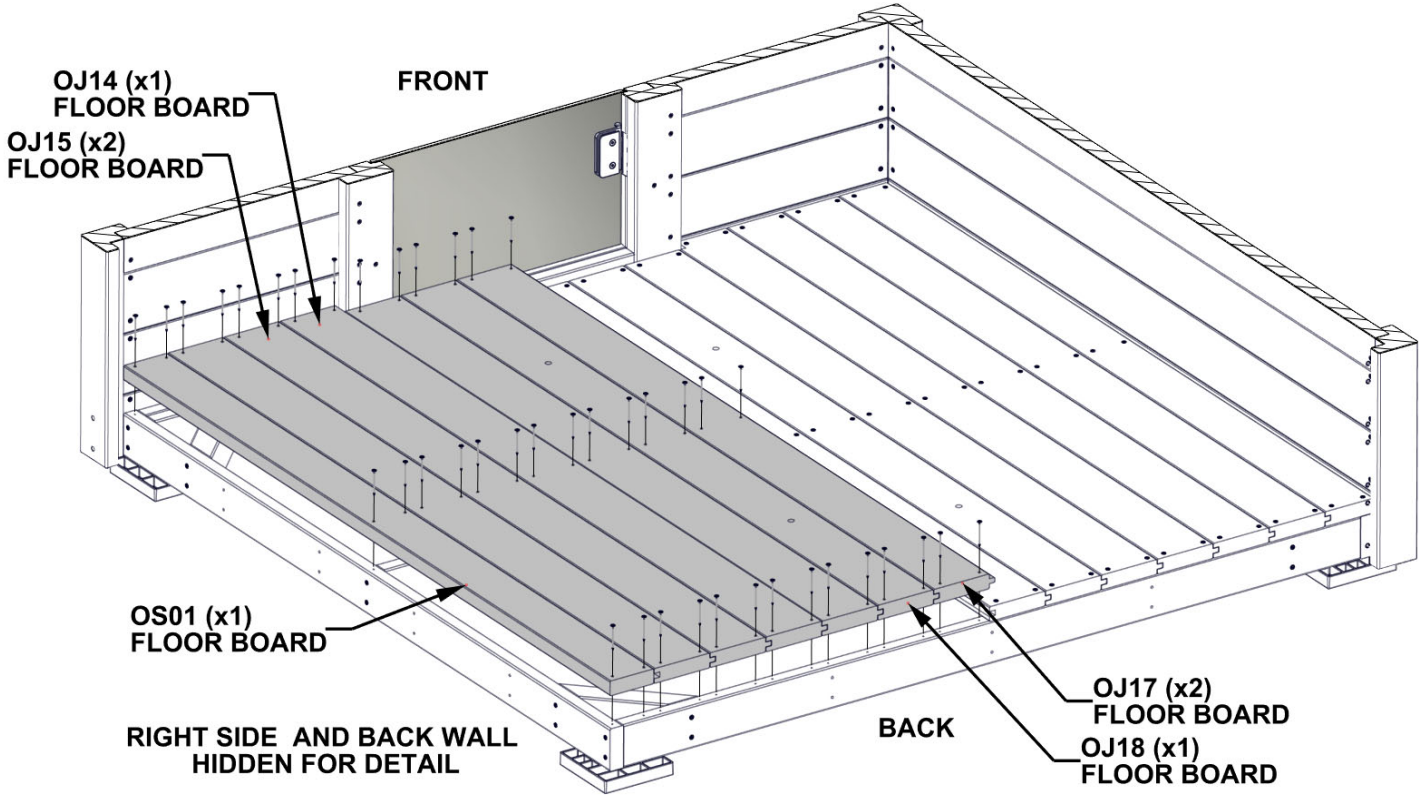
**NOTE NOTCH DIRECTION**

# STEP 22 - FLOOR ASSEMBLY

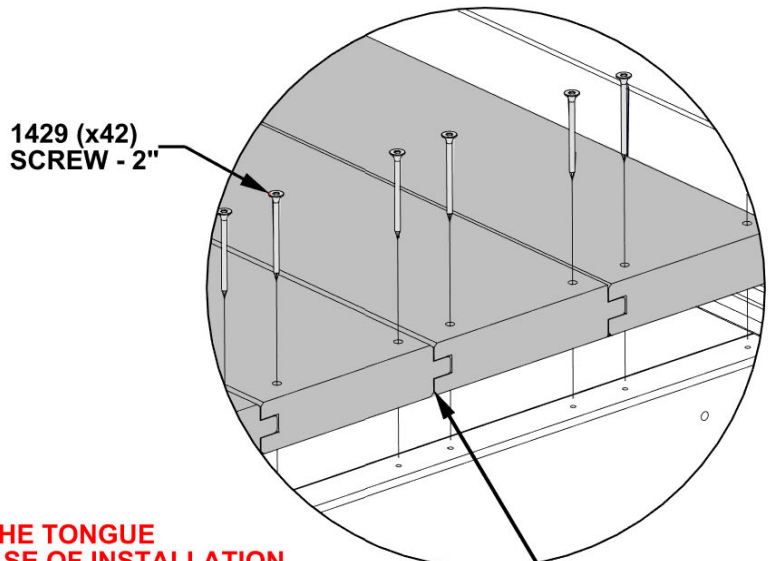
QTY	PART NUMBER	DESCRIPTION
42	H101429	SCREW TFH 8X2 SS-BLK



- EVENLY SPACE FLOOR BOARDS.
- ALIGN HOLES IN FLOOR BOARDS WITH PILOT HOLES IN FLOOR FRAME AND ATTACH AS SHOWN.



**NOTE OS01 HAS THE TONGUE REMOVED FOR EASE OF INSTALLATION. SLIDE OS01 BOARD AND POSITION IT AGAINST OJ11 BOARD AND ATTACH AS SHOWN.**



**NOTE NOTCH DIRECTION**

# STEP 23 - FLOOR ASSEMBLY

QTY	PART NUMBER	DESCRIPTION
10	H101429	SCREW TFH 8X2 SS-BLK

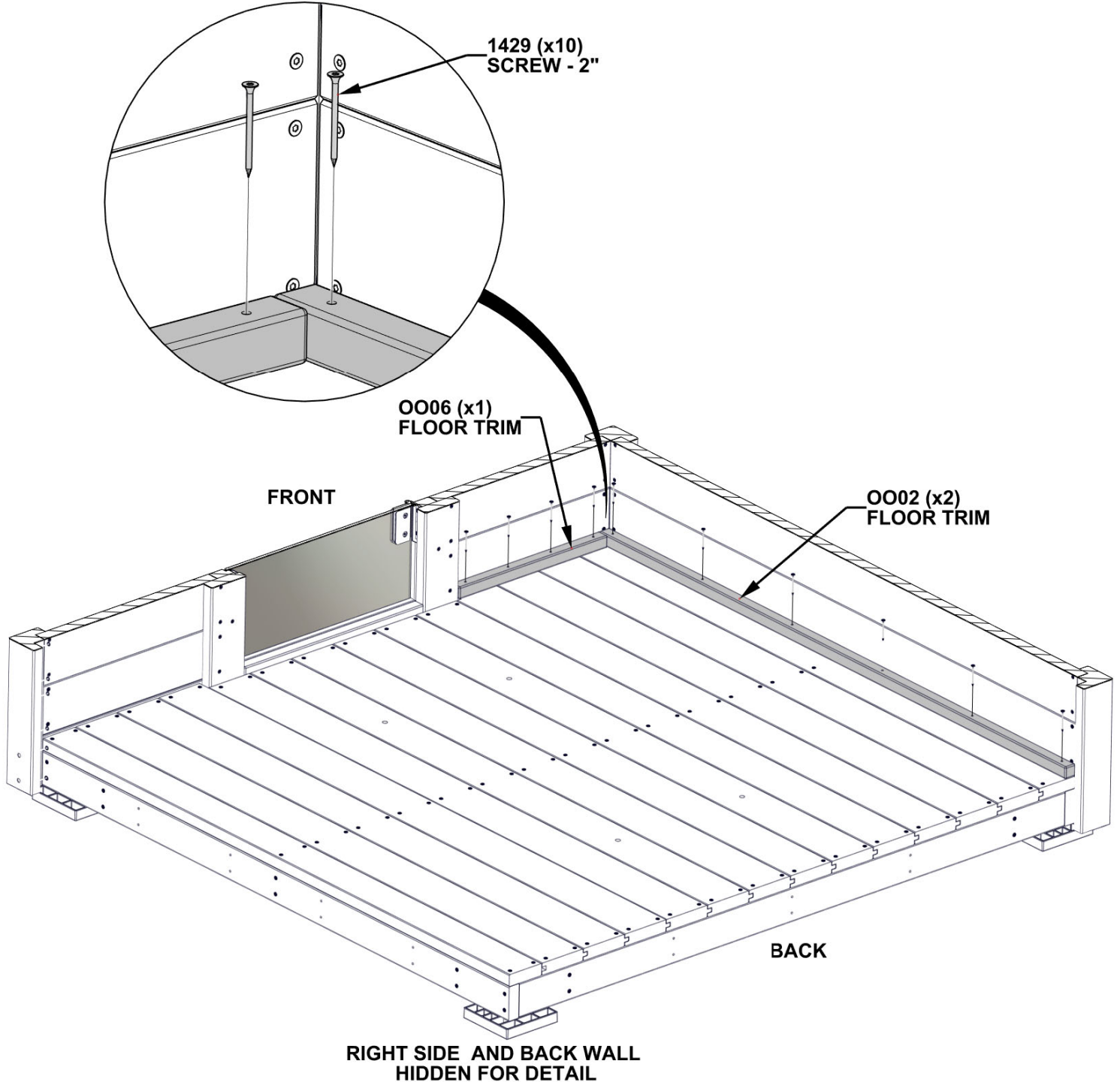


OO02 FLOOR TRIM - W4L22365  
(x1) 1 3/16"x1 3/16"x63 1/16" (30x30x1602)



OO06 FLOOR TRIM - W4L22465  
(x1) 1 3/16"x1 3/16"x17 1/4" (30x30x438)

- PRESS FLOOR TRIM AGAINST WALLS AND ATTACH AS SHOWN.





# STEP 24 - FLOOR ASSEMBLY

QTY	PART NUMBER	DESCRIPTION
16	H101429	SCREW TFH 8X2 SS-BLK



OO02 FLOOR TRIM - W4L22365  
(x1) 1 3/16"x1 3/16"x63 1/16" (30x30x1602)

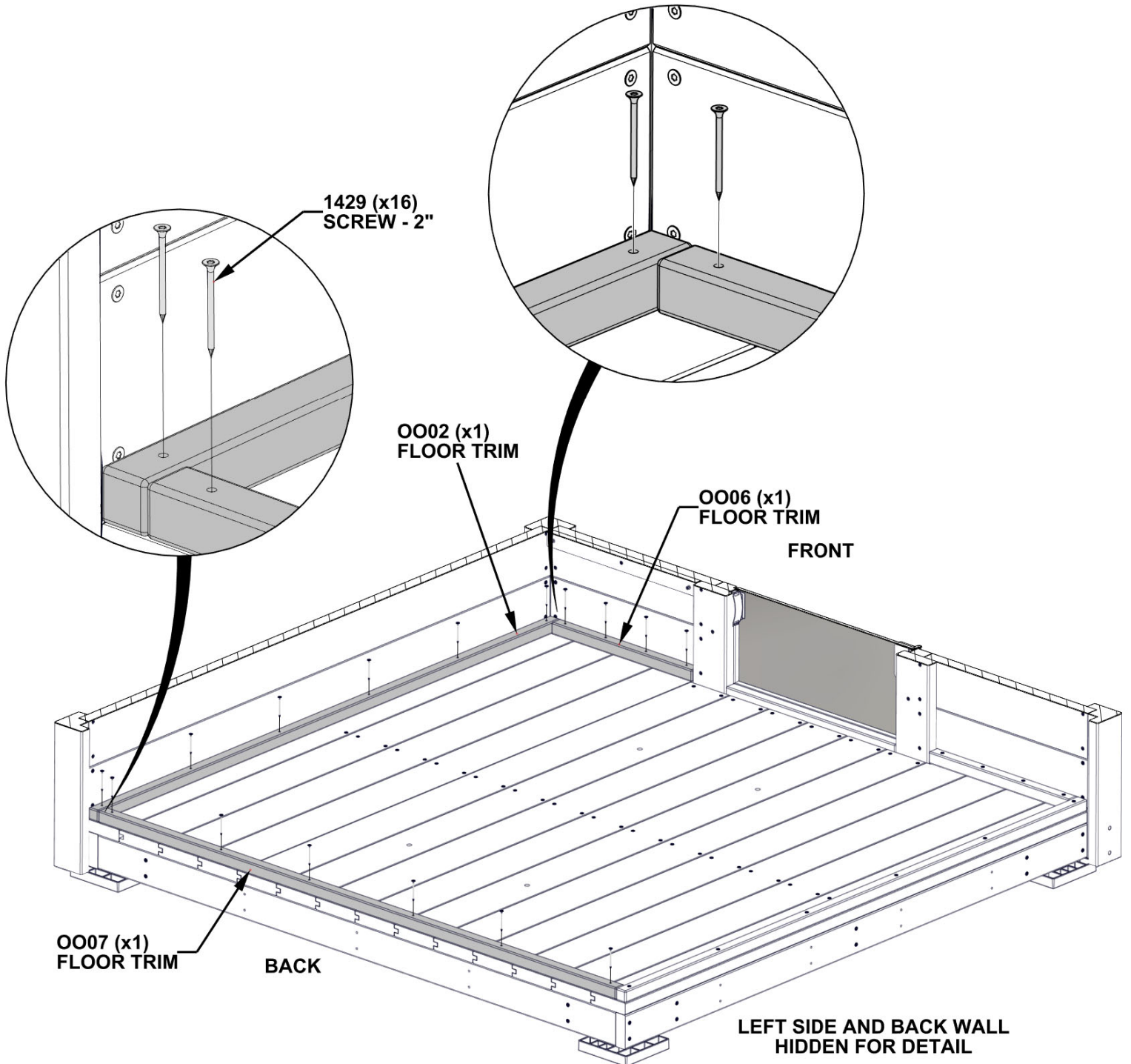


OO07 FLOOR TRIM - W4L22466  
(x1) 1 3/16"x1 3/16"x63 9/16" (30x30x1614)



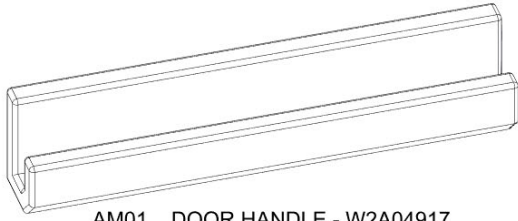
OO06 FLOOR TRIM - W4L22465  
(x1) 1 3/16"x1 3/16"x17 1/4" (30x30x438)

**- PRESS FLOOR TRIM AGAINST WALLS AND ATTACH AS SHOWN.**

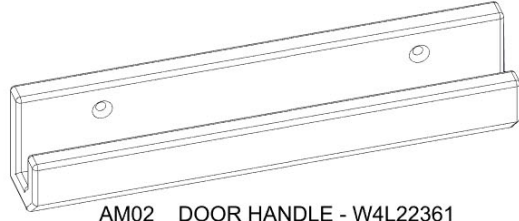


# STEP 25 - HANDLE ASSEMBLY

QTY	PART NUMBER	DESCRIPTION
2	H101402	SCREW TFH 1/4-20 X 1 5/8 SS
4	H101403	POLY WASHER

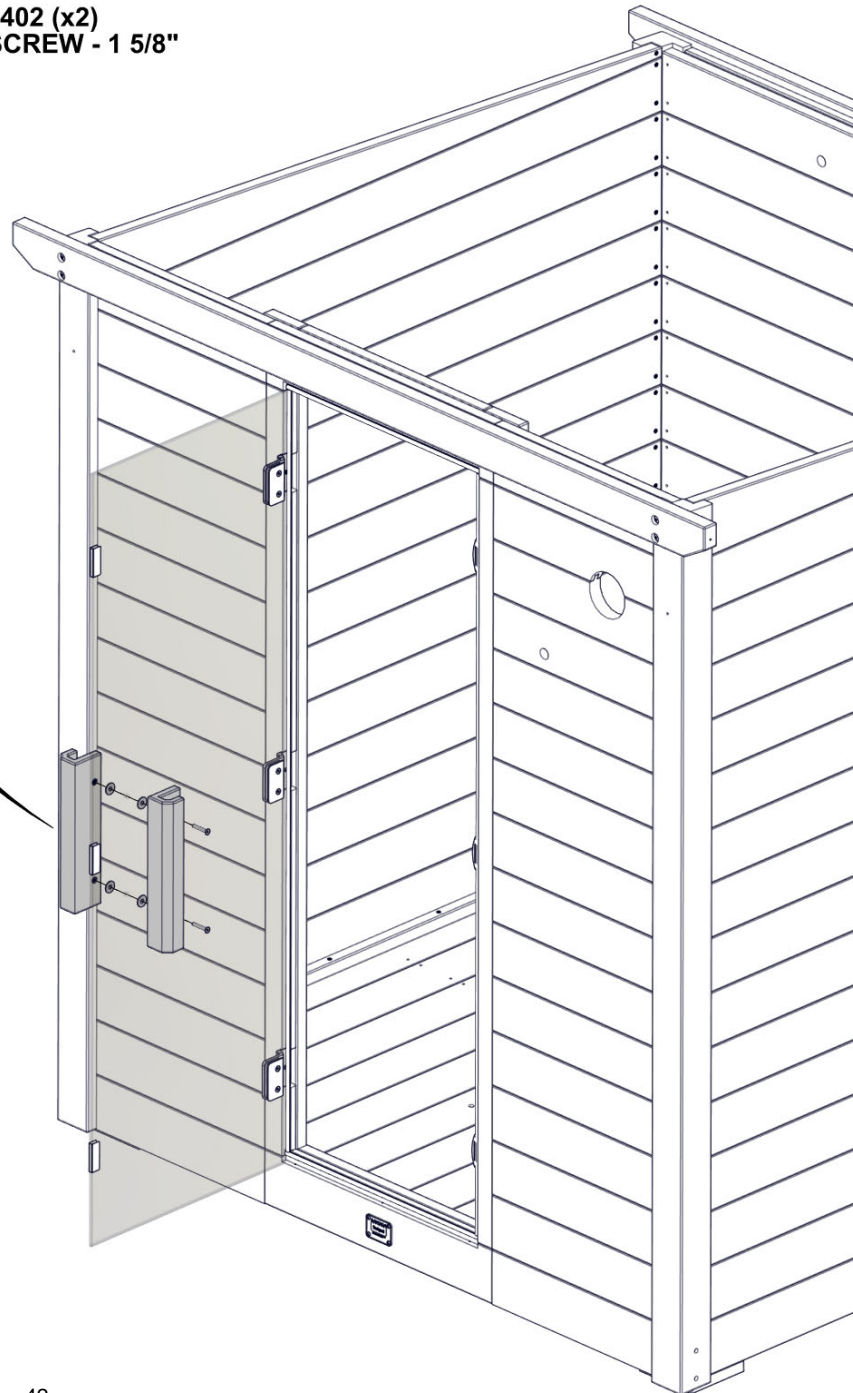
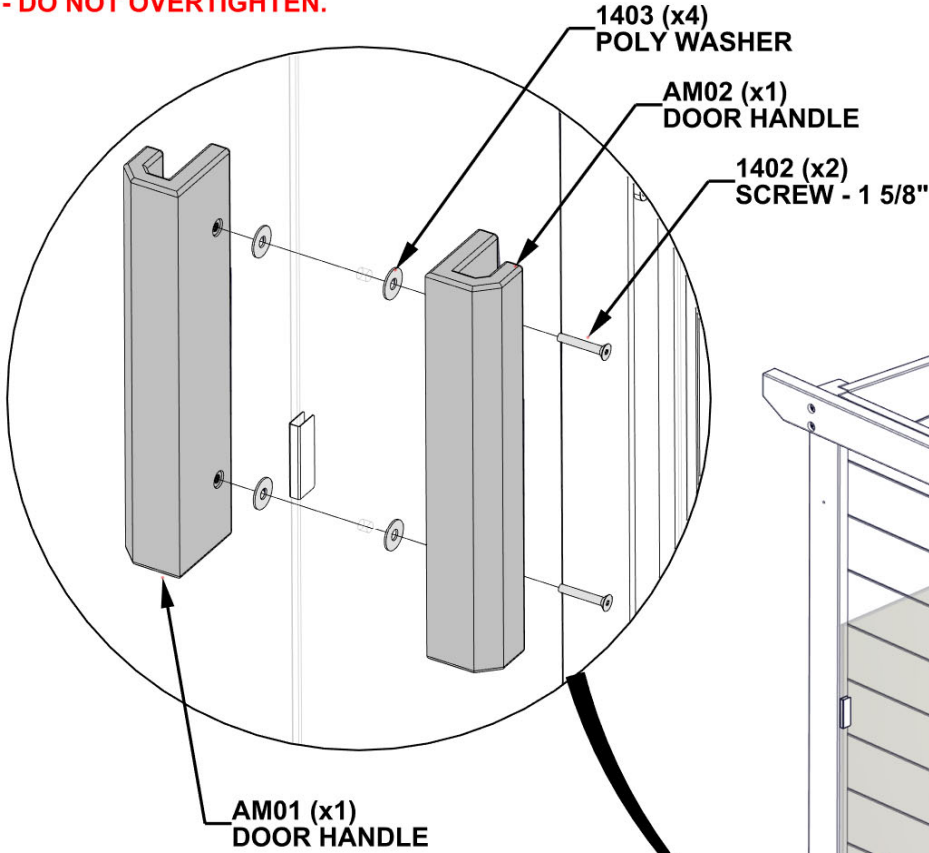


AM01 DOOR HANDLE - W2A04917  
(x1) 2 1/4"x3"x13 5/16" (57x76x338)



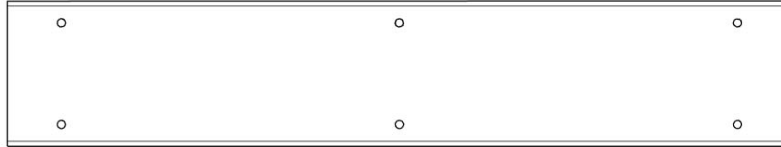
AM02 DOOR HANDLE - W4L22361  
(x1) 2 1/4"x3"x13 5/16" (57x76x338)

- ATTACH DOOR HANDLES AS SHOWN.  
- DO NOT OVERTIGHTEN.



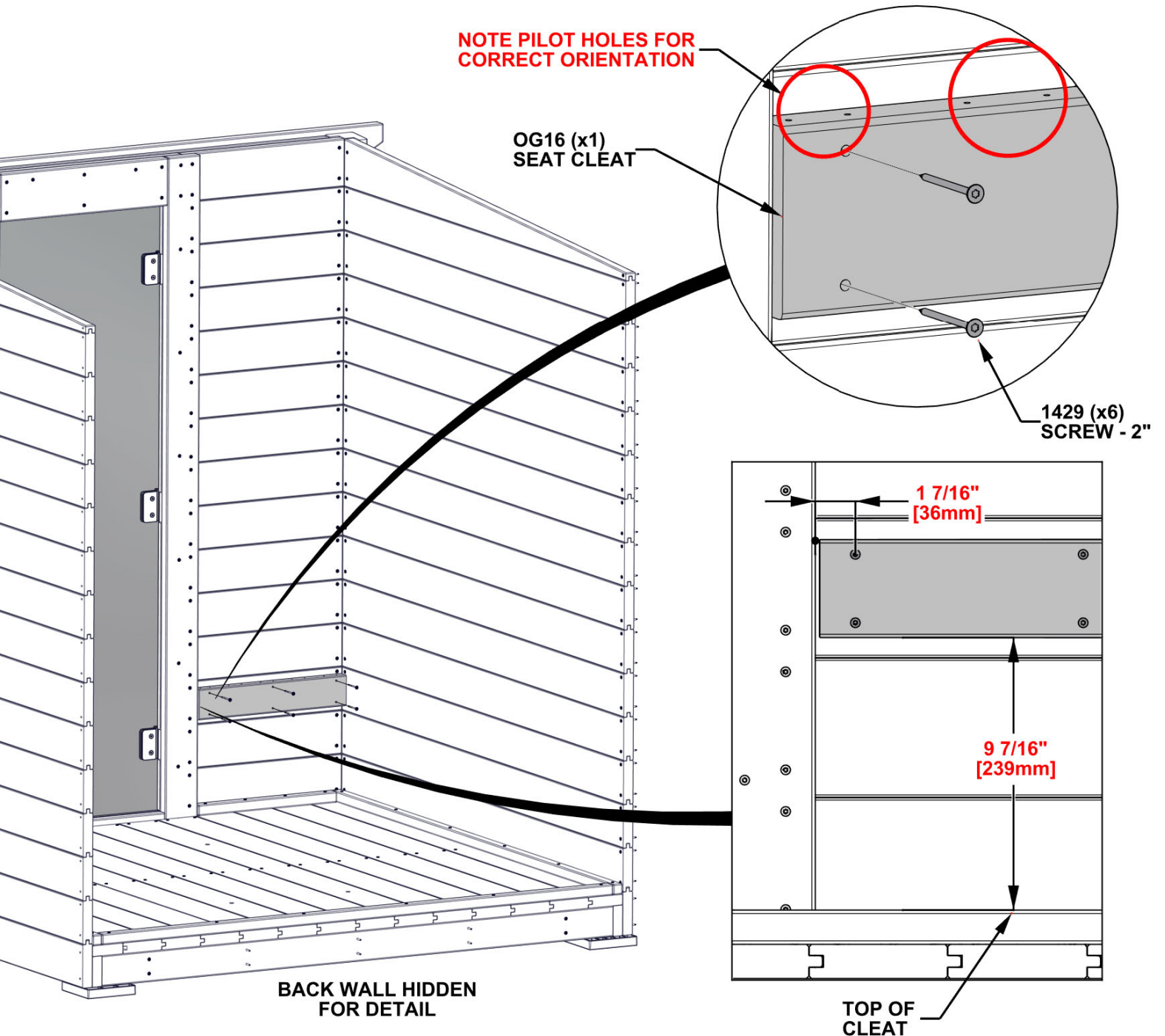
# STEP 26 - BENCH ASSEMBLY

QTY	PART NUMBER	DESCRIPTION
6	H101429	SCREW TFH 8X2 SS-BLK



OG16 SEAT CLEAT - W4L22585  
(x1) 1 3/16"x3 3/8"x18 1/4" (30x86x464)

- NOTE PILOT HOLES TO BE POSITIONED ON THE TOP SIDE.
- ENSURE OG16 IS LEVEL AND ATTACH AS SHOWN.



# STEP 27 - BENCH ASSEMBLY

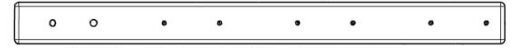
QTY	PART NUMBER	DESCRIPTION
17	H101429	SCREW TFH 8X2 SS-BLK



OG08 SEAT CLEAT - W4L22384  
(x1) 1 3/16"x3 3/8"x19 1/8" (30x86x486)

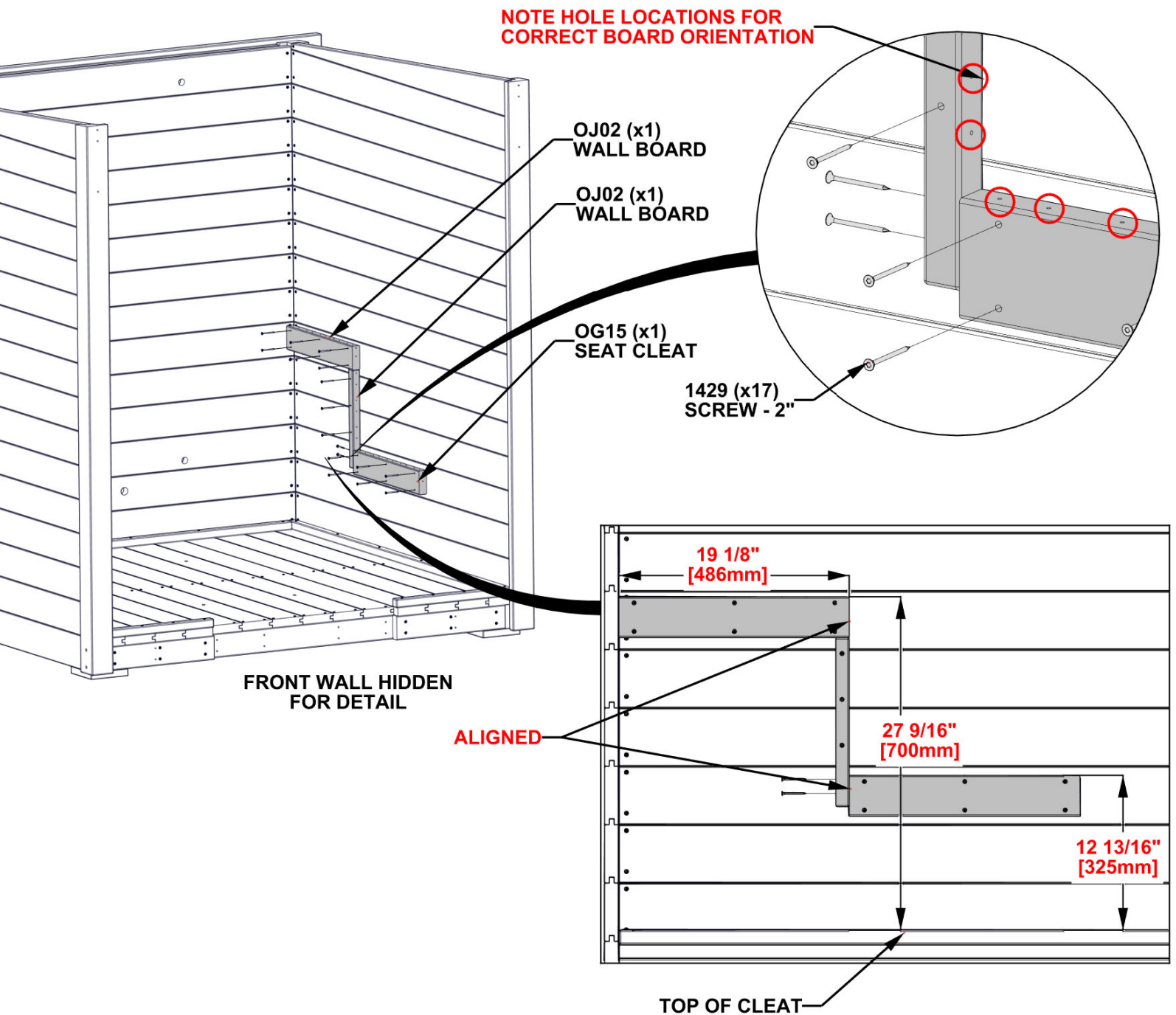


OG15 SEAT CLEAT - W4L22407  
(x1) 1 3/16"x3 3/8"x19 1/8" (30x86x486)



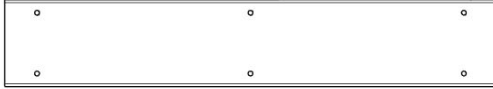
OO01 SLAT CLEAT - W4L22404  
(x1) 1 3/16"x1 3/16"x14" (30x30x355)

- NOTE PILOT HOLES TO BE POSITIONED ON THE TOP SIDE.
- FLUSH END OF OG08 AGAINST BACK WALL.
- ENSURE BOARDS ARE LEVEL AND THEN ATTACH AS SHOWN.



# STEP 28 - BENCH ASSEMBLY

QTY	PART NUMBER	DESCRIPTION
17	H101429	SCREW TFH 8X2 SS-BLK



OG08 SEAT CLEAT - W4L22384  
(x1) 1 3/16"x3 3/8"x19 1/8" (30x86x486)

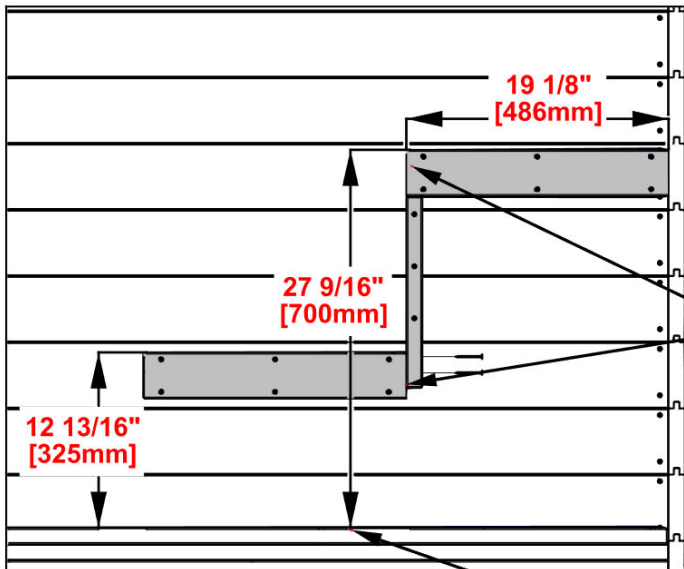
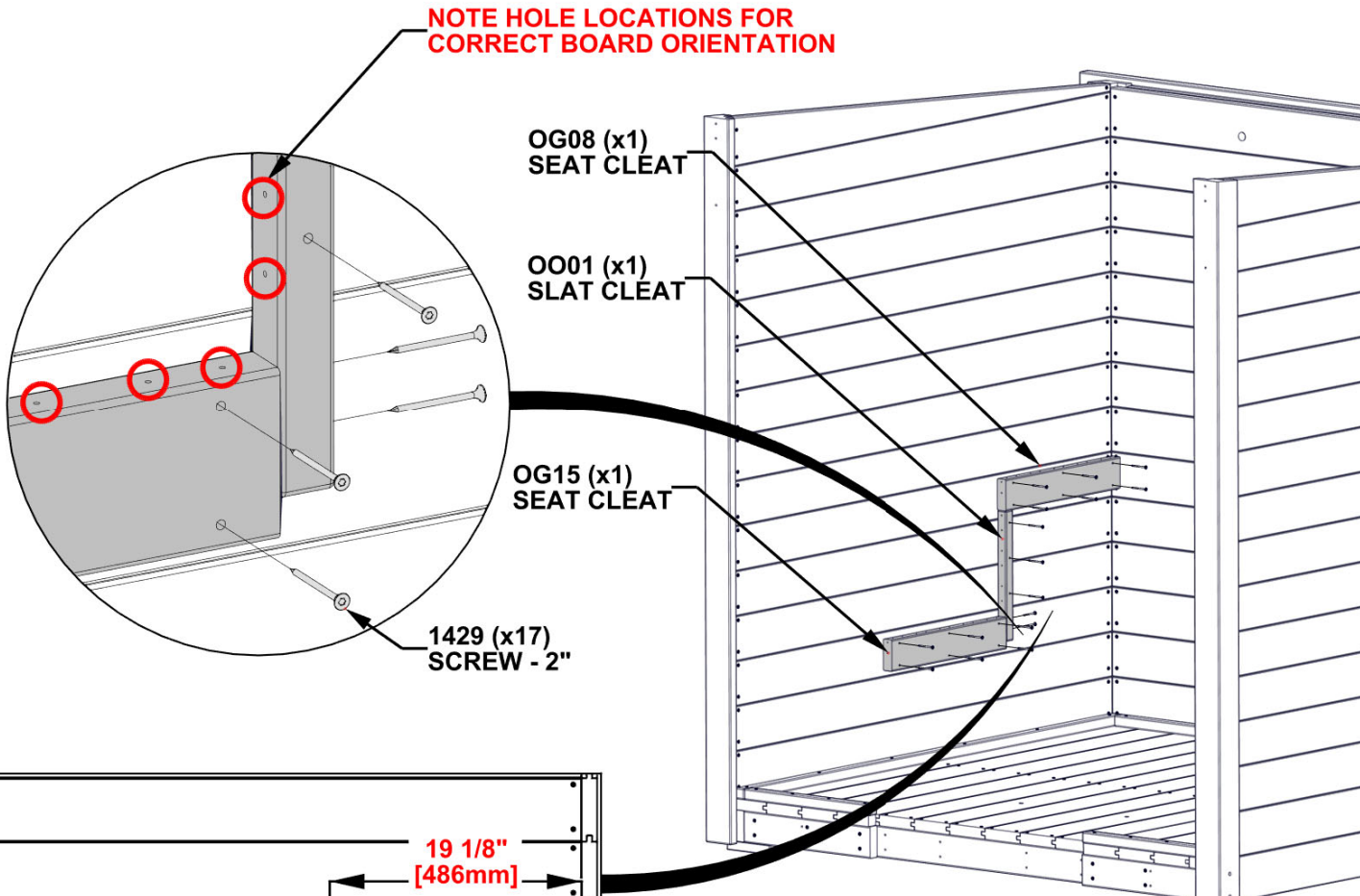


OG15 SEAT CLEAT - W4L22407  
(x1) 1 3/16"x3 3/8"x19 1/8" (30x86x486)



OO01 SLAT CLEAT - W4L22404  
(x1) 1 3/16"x1 3/16"x14" (30x30x355)

- NOTE PILOT HOLES TO BE POSITIONED ON THE TOP SIDE.
- FLUSH END OF OG08 AGAINST BACK WALL.
- ENSURE BOARDS ARE LEVEL AND THEN ATTACH AS SHOWN.



FRONT WALL HIDDEN FOR DETAIL

ALIGNED

TOP OF CLEAT

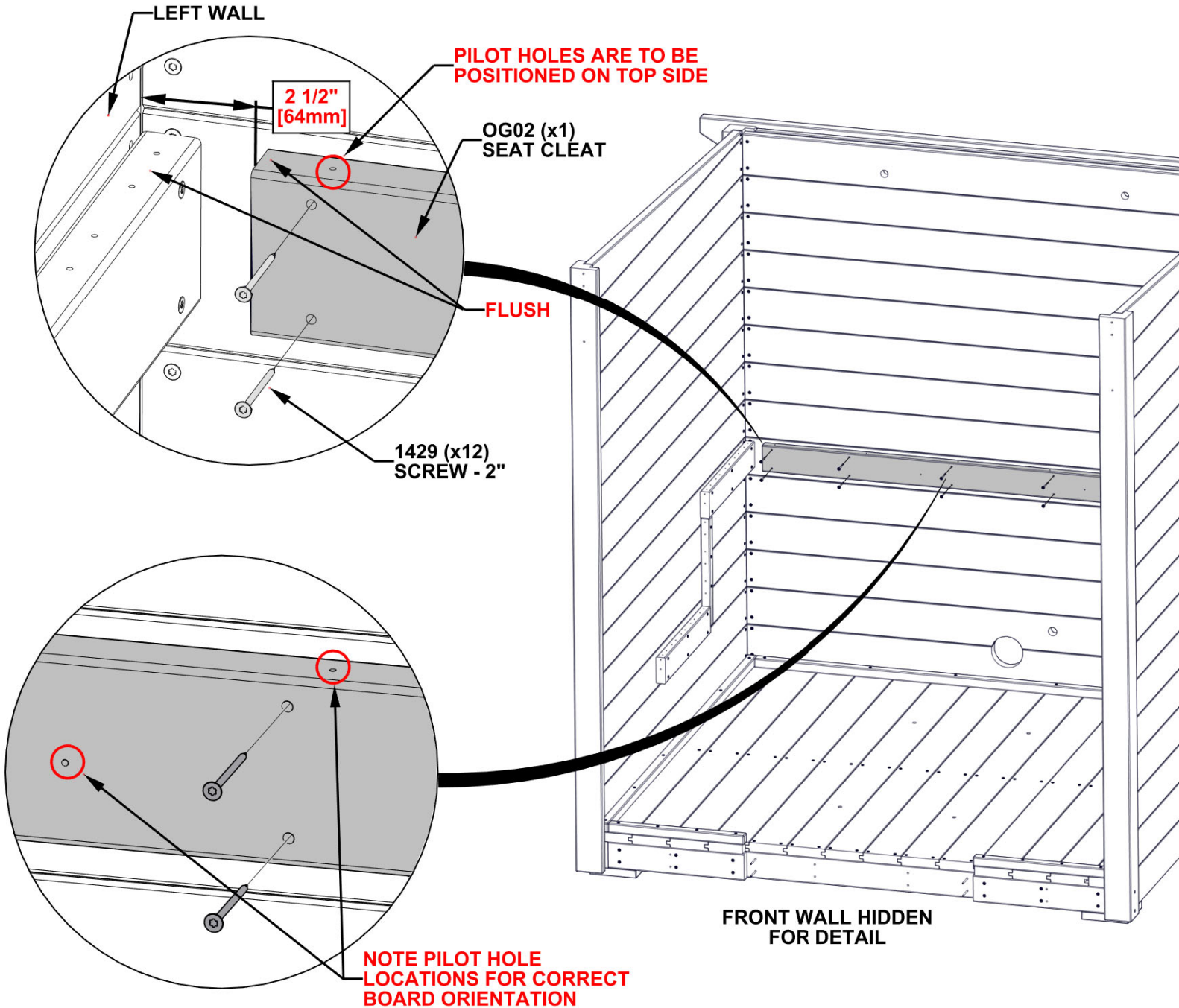
# STEP 29 - BENCH ASSEMBLY

QTY	PART NUMBER	DESCRIPTION
12	H101429	SCREW TFH 8X2 SS-BLK



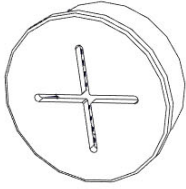
OG02 SEAT CLEAT - W4L21943  
(x1) 1 3/16"x3 3/8"x60 15/16" (30x86x1548)

- CLEAT SHOULD BE CENTERED ON THE BACK WALL.
- ENSURE TOP OF SEAT CLEAT ARE FLUSH WITH CLEATS ON SIDE WALLS.
- USE DIMENSIONS SHOWN TO LOCATE WALL CLEAT.
- MEASUREMENT SHOWN IS TAKEN FROM INSIDE THE WALL.
- ATTACH AS SHOWN.



# STEP 30 - ELECTRICAL

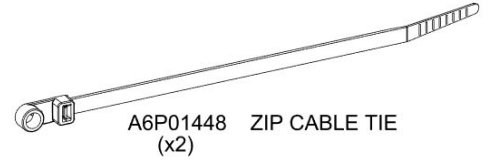
QTY	PART NUMBER	DESCRIPTION
2	H101409	SCREW PPH 4x1/2 BLK



A6P01468 30mm SILCONE GROMMET (x1)

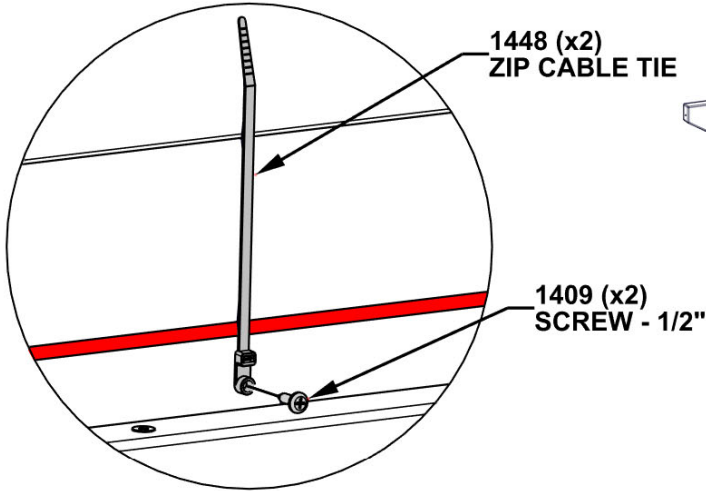


A6P01543 SAUNA POWER WIRE (x1)

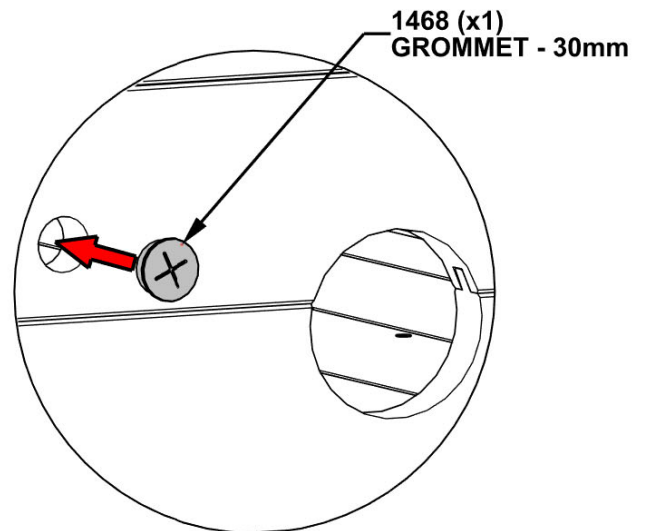
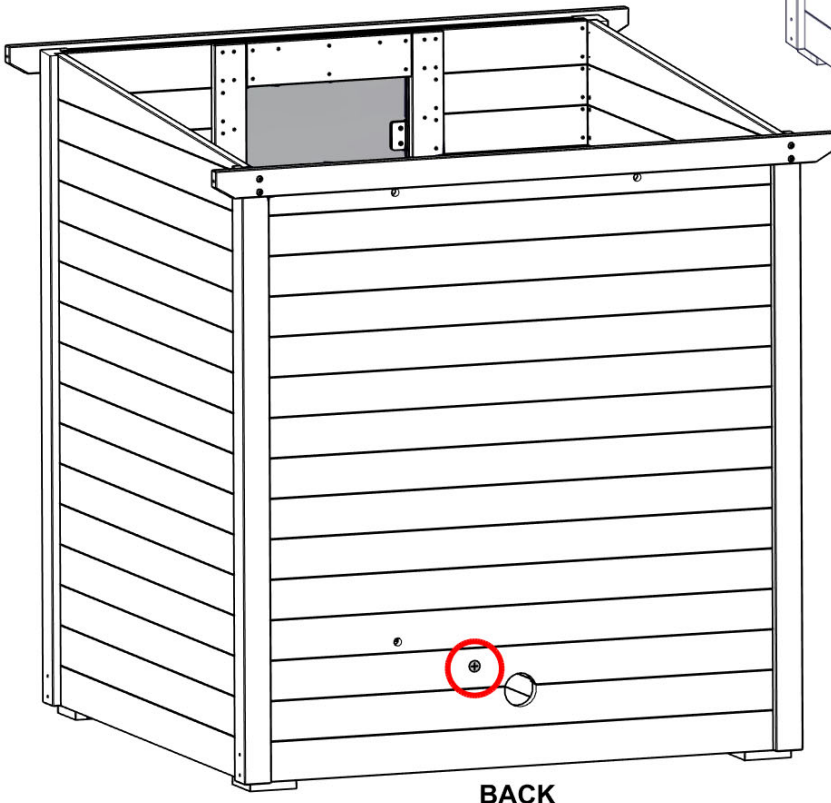
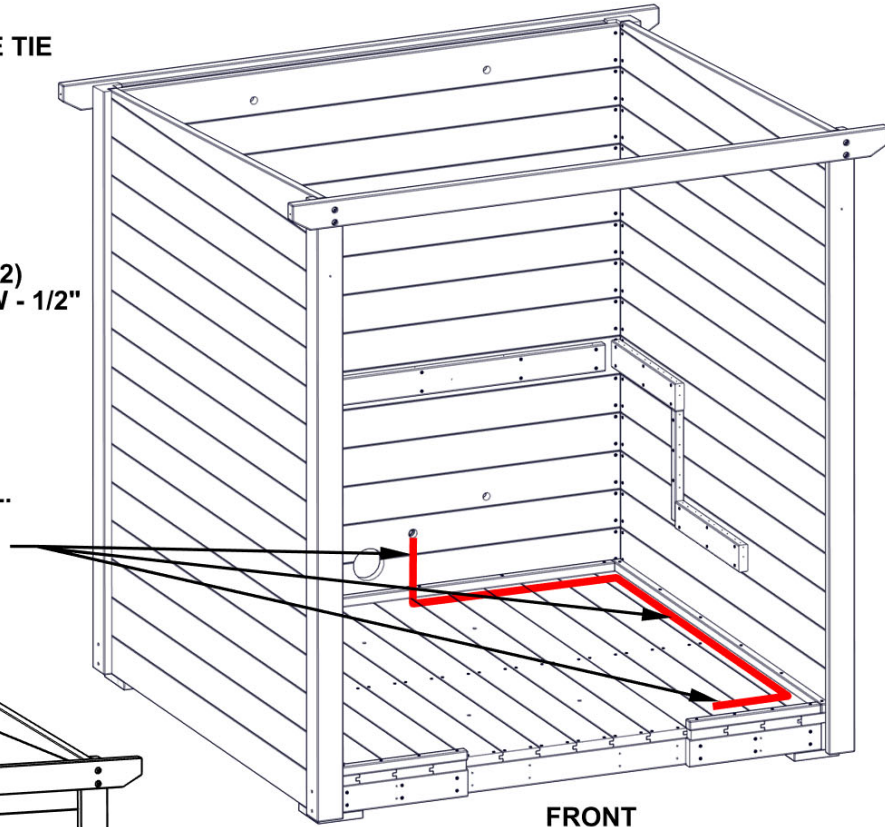


A6P01448 ZIP CABLE TIE (x2)

- USE PROVIDED GROMMET FOR POWER WIRE.
- WILL NEED TO REMOVE CONDUIT FITTING TO FEED SAUNA POWER WIRE THROUGH GROMMET.
- RUN POWER WIRE AS SHOWN IN DETAIL BELOW.
- NOTE A LICENSE ELECTRICIAN IS REQUIRED FOR HEATER INSTALLATION.

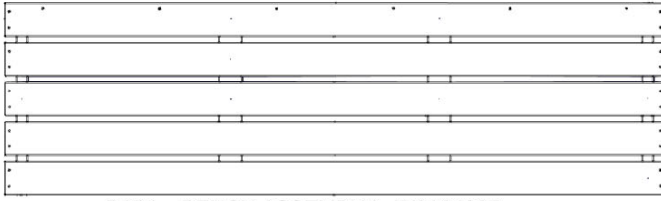


RUN SAUNA POWER WIRE ALONG WALL. ATTACH WITH PROVIDED ZIP TIES AS SHOWN, LEAVING APPROXIMATELY 18" [457mm] FROM THE SIDEWALL FOR HEATER.



# STEP 31 - BENCH ASSEMBLY

QTY	PART NUMBER	DESCRIPTION
4	H101431	SCREW TFH 8X2 1/2 SS-BLK
8	H101443	SCREW TWH 8x1 1/2 SS-BLK



BA01 BENCH ASSEMBLY - W2A04927  
(x1) 1 15/16"x19 1/8"x65 3/4" (50x486x1670)

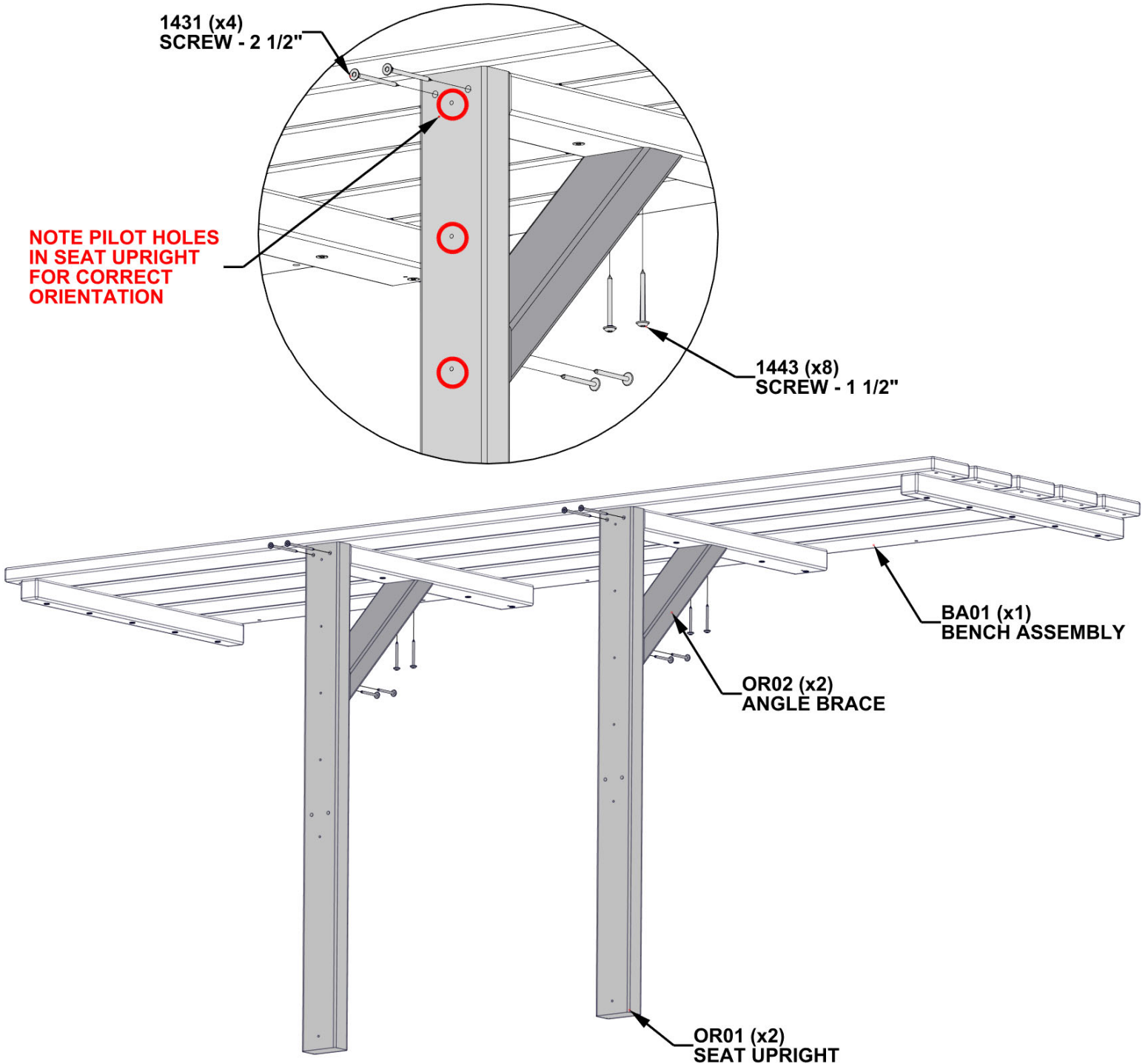


OR01 SEAT UPRIGHT - W4L22406  
(x2) 1 3/16"x2 3/8"x28 3/4" (30x60x730)



OR02 ANGLE BRACE - W4L21946  
(x2) 1 3/16"x2 3/8"x10 7/8" (30x60x276)

- ALIGN PILOT HOLES AND ATTACH SEAT UPRIGHT TO BENCH ASSEMBLY AS SHOWN.
- THEN ALIGN PILOT HOLES IN ANGLE BRACE WITH PILOT HOLES IN SEAT UPRIGHT AND BENCH ASSEMBLY AND ATTACH.

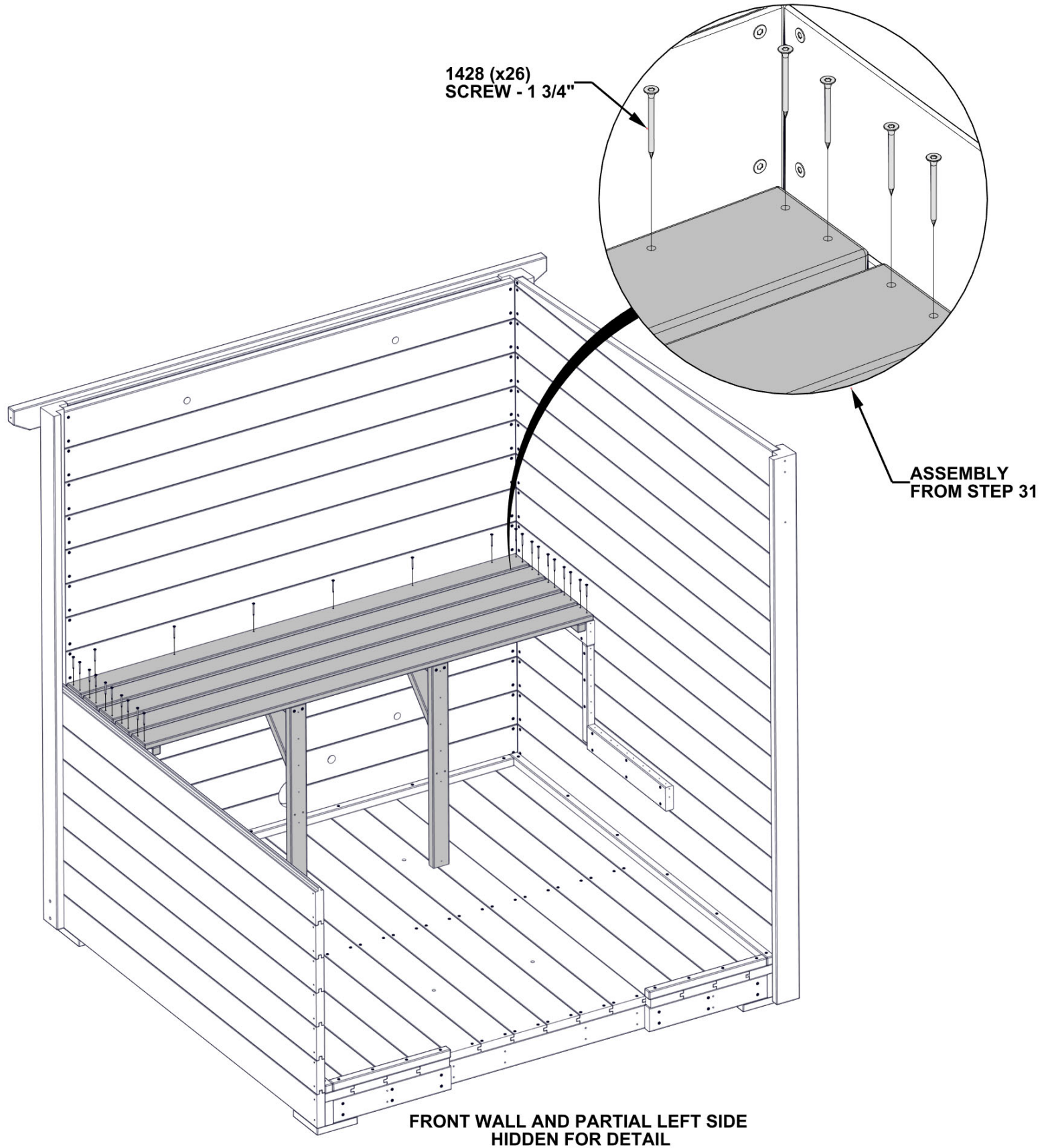




# STEP 32 - BENCH ASSEMBLY

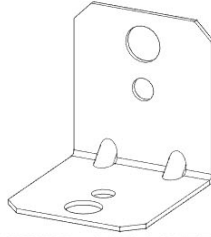
QTY	PART NUMBER	DESCRIPTION
26	H101428	SCREW TFH 8X1 3/4 SS-BLK

- ALIGN THROUGH HOLES IN BENCH ASSEMBLY WITH PILOT HOLES IN SEAT CLEATS AND ATTACH AS SHOWN.



# STEP 33 - BENCH ASSEMBLY

QTY	PART NUMBER	DESCRIPTION
8	H101438	SCREW TWH 8x3/4 SS-BLK



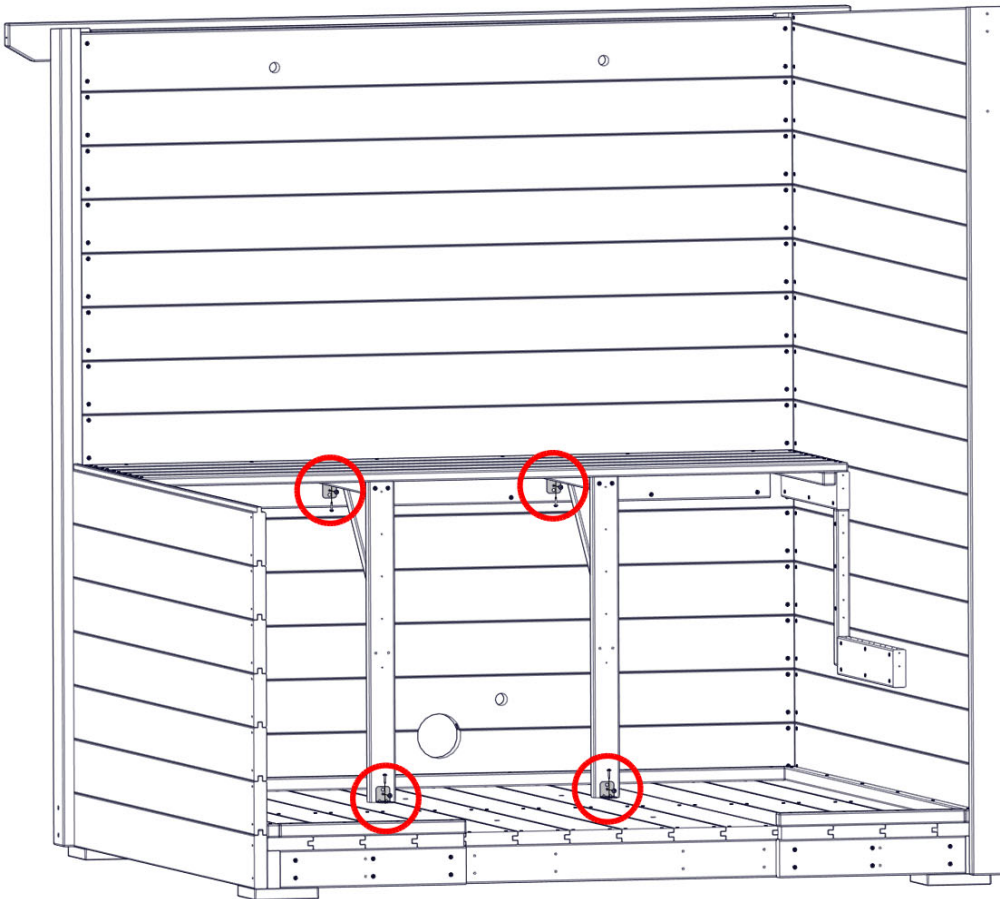
A4M00555 L BRACKET BLK  
(x4)

- ALIGN UPPER BRACKET THROUGH HOLES WITH PILOT HOLES IN WALL CLEAT AND ATTACH AS SHOWN.
- AFTER ATTACHING TO WALL CLEAT, SQUARE AND LEVEL LEGS AND ATTACH TO FLOOR AS SHOWN.

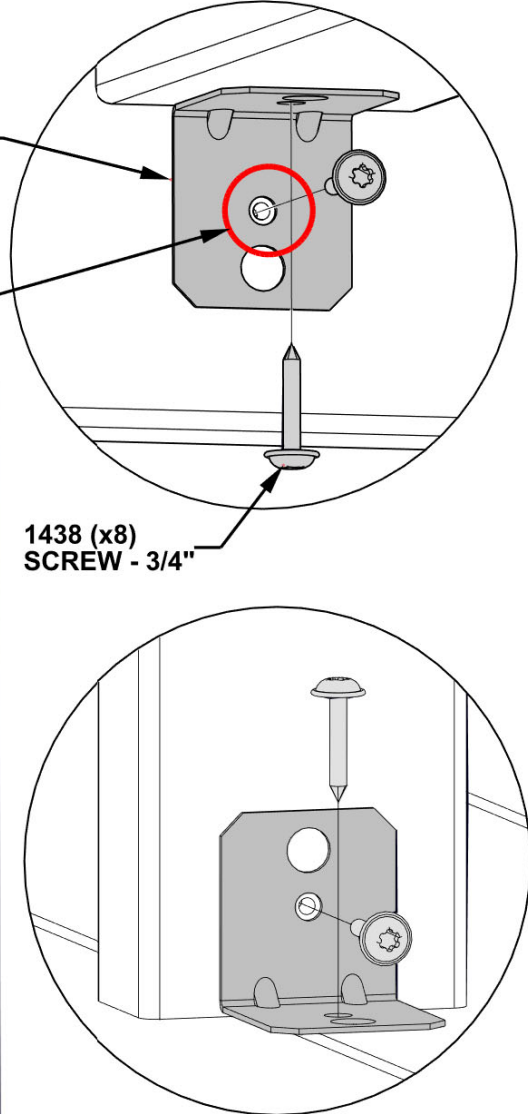
555 (x4)  
L BRACKET BLK

ALIGN WITH  
PILOT HOLES

1438 (x8)  
SCREW - 3/4"

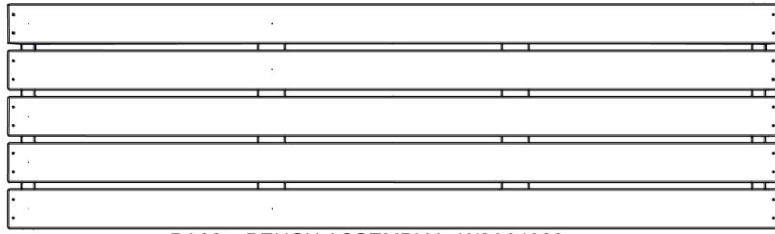


FRONT WALL AND PARTIAL LEFT SIDE  
HIDDEN FOR DETAIL



# STEP 34 - BENCH ASSEMBLY

QTY	PART NUMBER	DESCRIPTION
4	H101431	SCREW TFH 8X2 1/2 SS-BLK
8	H101443	SCREW TWH 8x1 1/2 SS-BLK



BA02 BENCH ASSEMBLY - W2A04928  
(x1) 1 15/16"x19 1/8"x65 3/4" (50x486x1670)

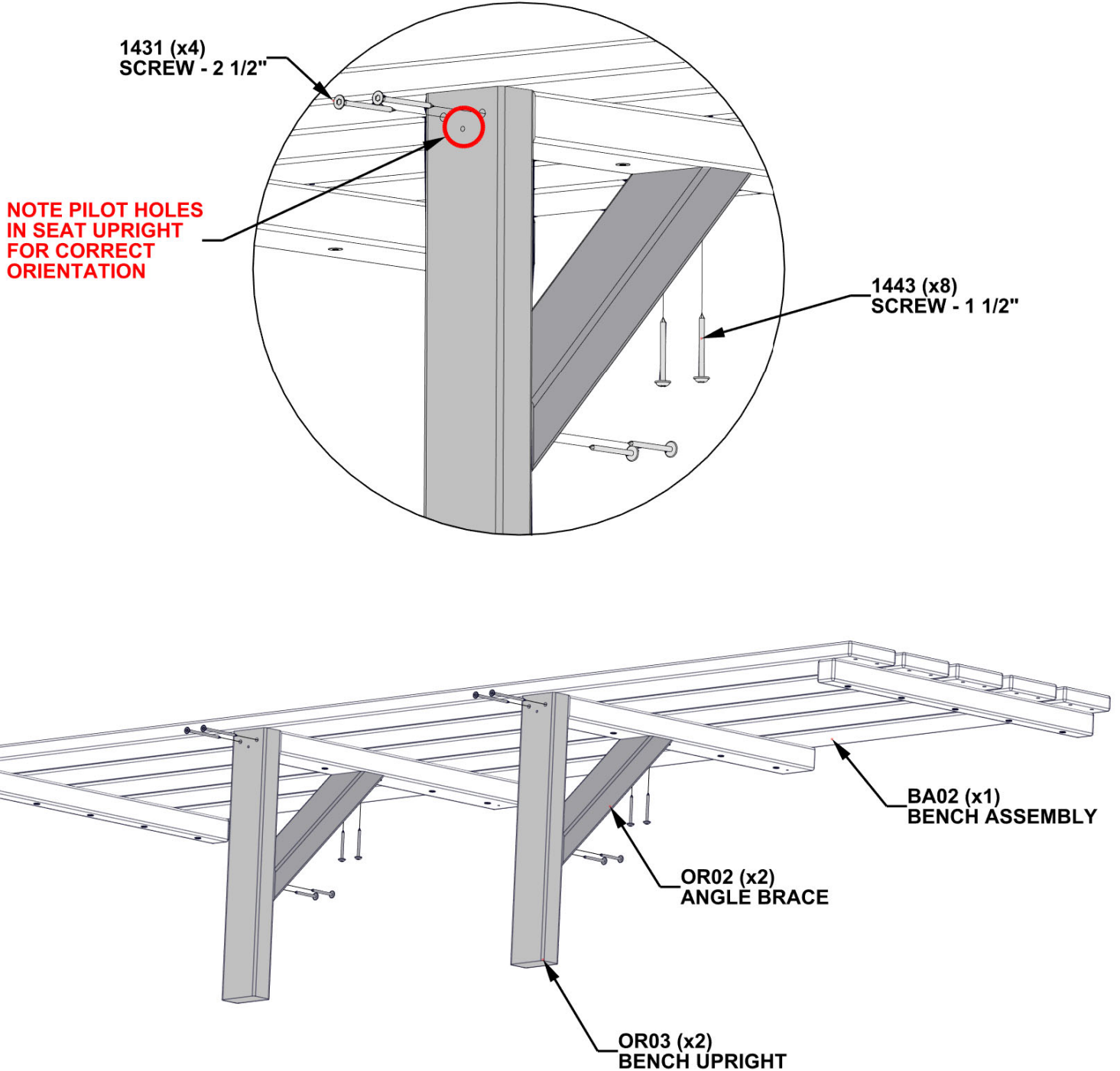


OR03 BENCH UPRIGHT - W4L22405  
(x2) 1 3/16"x2 3/8"x14" (30x60x355)



OR02 ANGLE BRACE - W4L21946  
(x2) 1 3/16"x2 3/8"x10 7/8" (30x60x276)

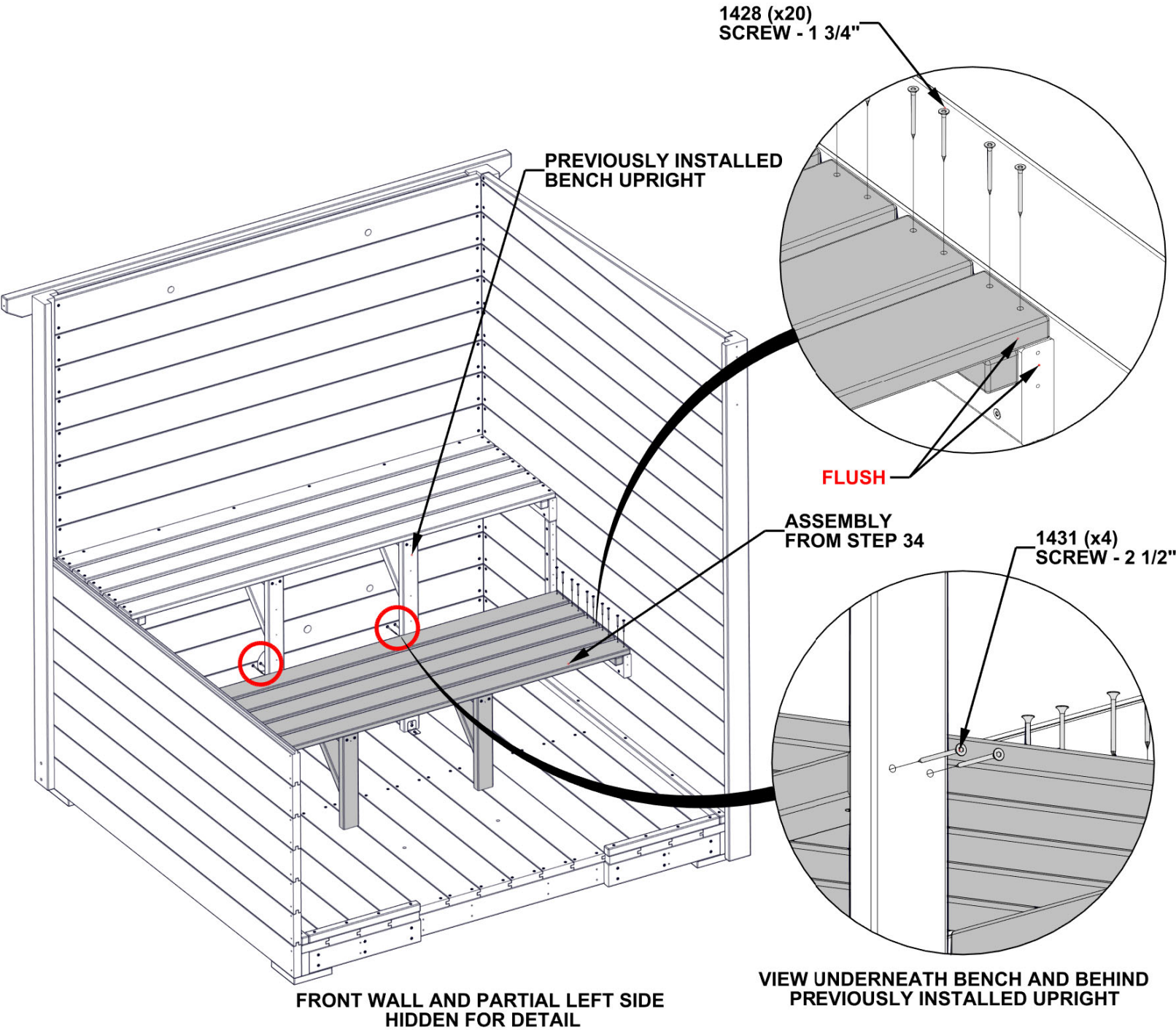
- ALIGN PILOT HOLES AND ATTACH SEAT UPRIGHT TO BENCH ASSEMBLY AS SHOWN.
- THEN ALIGN PILOT HOLES IN ANGLE BRACE WITH PILOT HOLES IN SEAT UPRIGHT AND BENCH ASSEMBLY AND ATTACH.



# STEP 35 - BENCH ASSEMBLY

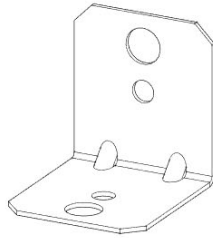
QTY	PART NUMBER	DESCRIPTION
20	H101428	SCREW TFH 8X1 3/4 SS-BLK
4	H101431	SCREW TFH 8X2 1/2 SS-BLK

- ALIGN THROUGH HOLES IN BENCH ASSEMBLY WITH PILOT HOLES IN SEAT CLEATS AND ATTACH AS SHOWN.
- ALIGN THROUGH HOLES IN PREVIOUSLY INSTALLED BENCH UPRIGHTS WITH PILOT HOLES IN BENCH ASSEMBLY.



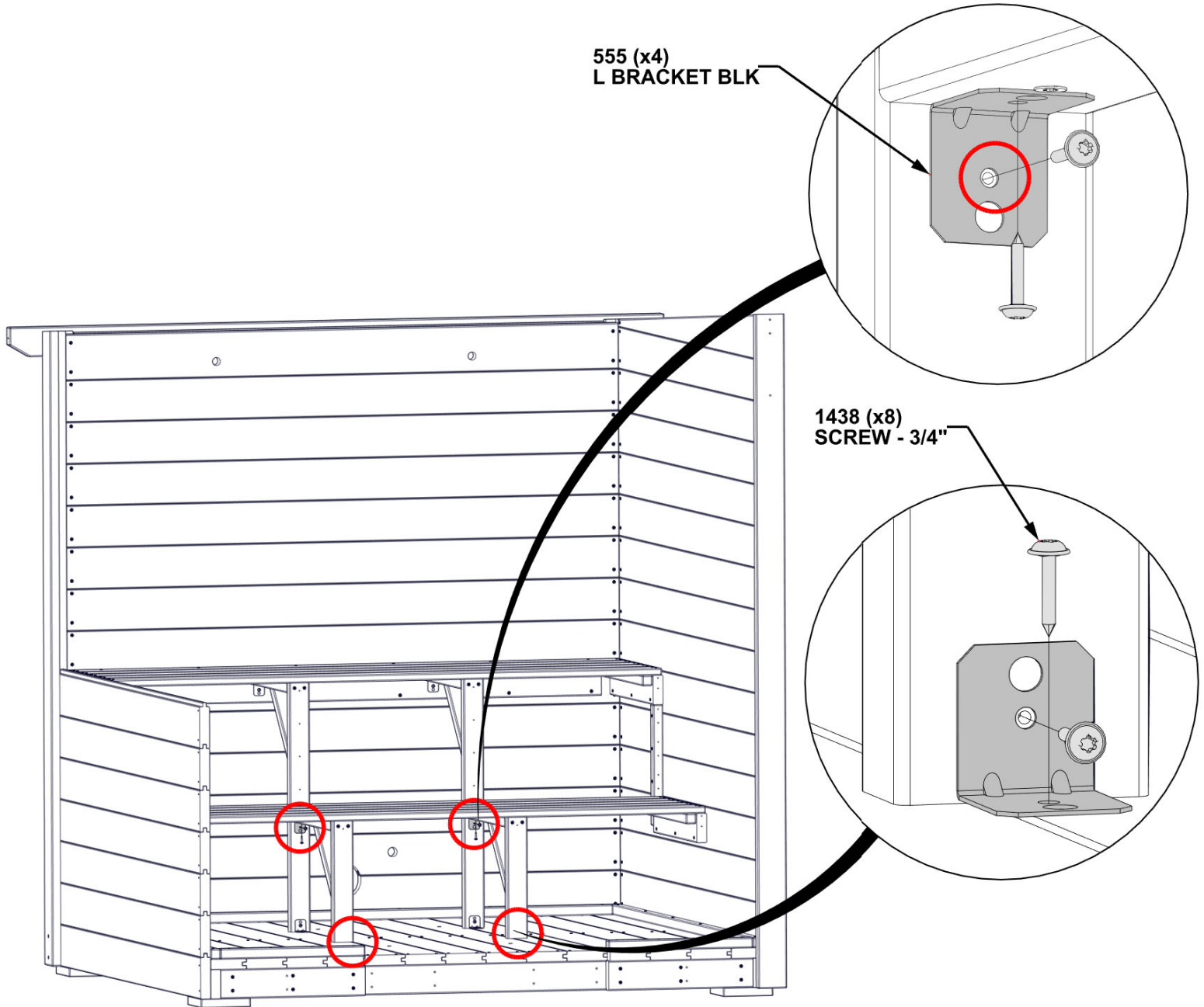
# STEP 36 - BENCH ASSEMBLY

QTY	PART NUMBER	DESCRIPTION
8	H101438	SCREW TWH 8x3/4 SS-BLK



A4M00555 L BRACKET BLK  
(x4)

- ALIGN BRACKETS WITH PILOT HOLES IN BACKS OF UPRIGHTS AND ATTACH AS SHOWN.



# STEP 37 - BENCH ASSEMBLY

QTY	PART NUMBER	DESCRIPTION
12	H101430	SCREW TFH 8X2 1/4 SS-BLK

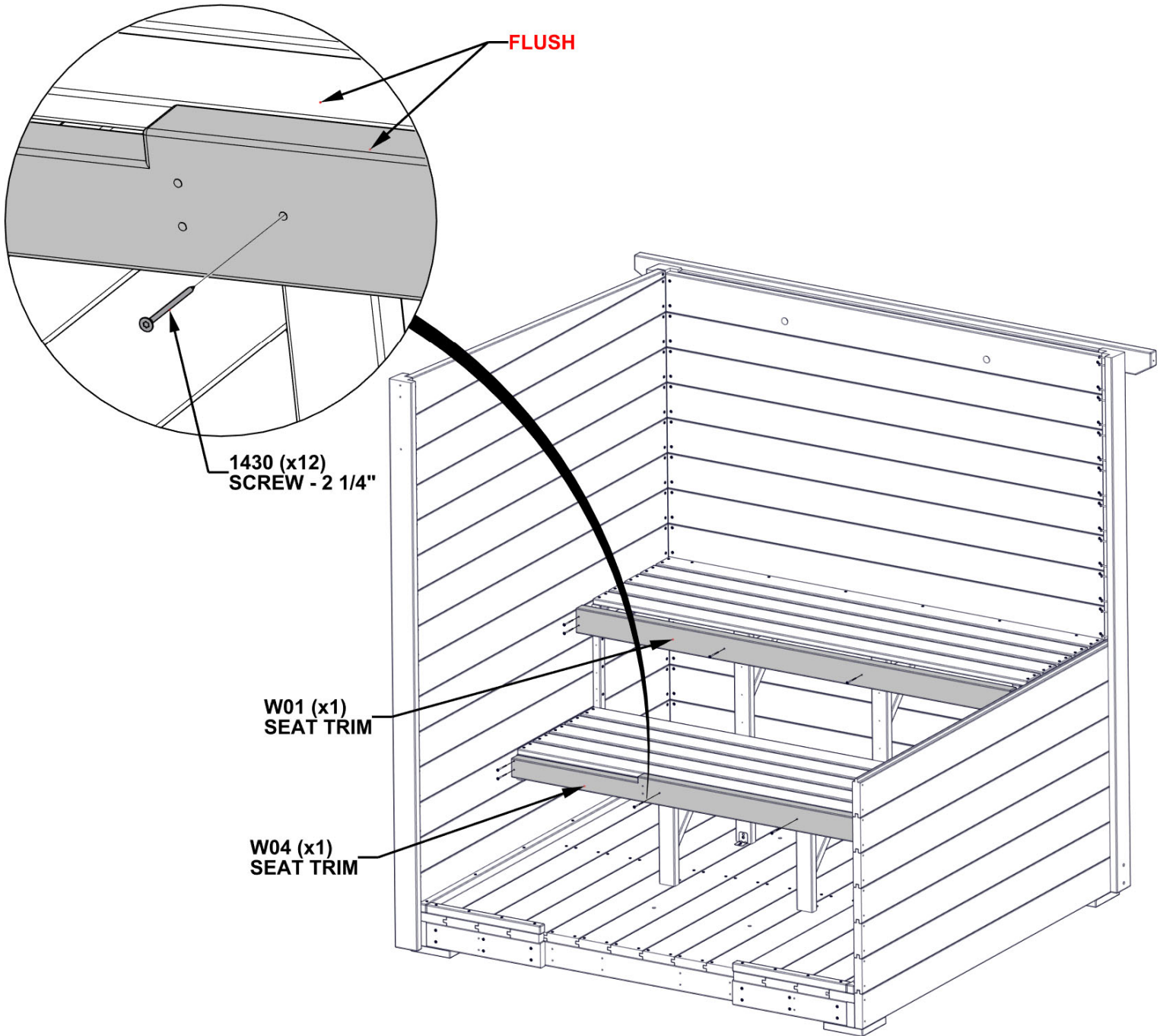


W01 SEAT TRIM - W4L21948  
(x1) 1 9/16"x3 3/8"x65 3/4" (40x86x1670)



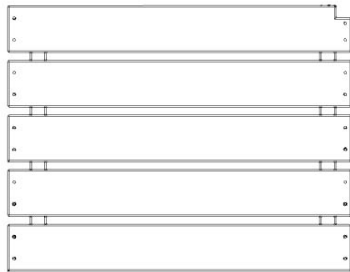
W04 SEAT TRIM - W4L22586  
(x1) 1 9/16"x3 3/8"x65 3/4" (40x86x1670)

- ALIGN THROUGH HOLES IN SEAT TRIM WITH PILOT HOLES IN UPRIGHTS AND CLEATS AND ATTACH

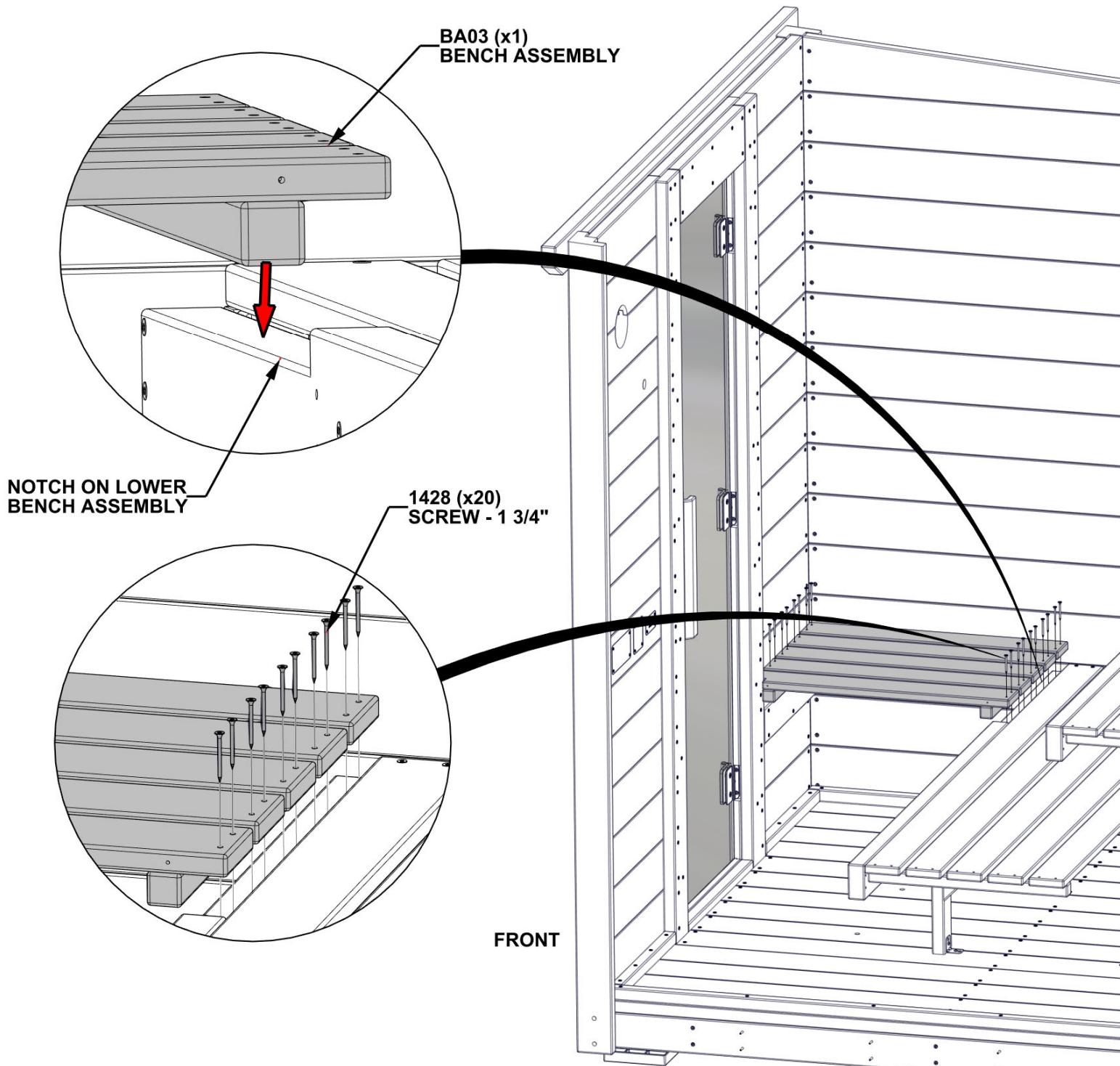


# STEP 38 - BENCH ASSEMBLY

QTY	PART NUMBER	DESCRIPTION
20	H101428	SCREW TFH 8X1 3/4 SS-BLK



- FLUSH BENCH AGAINST BOTH FRONT AND LEFT SIDE WALL.
- POSITION BENCH INTO NOTCH PROVIDED ON LOWER BENCH ASSEMBLY.



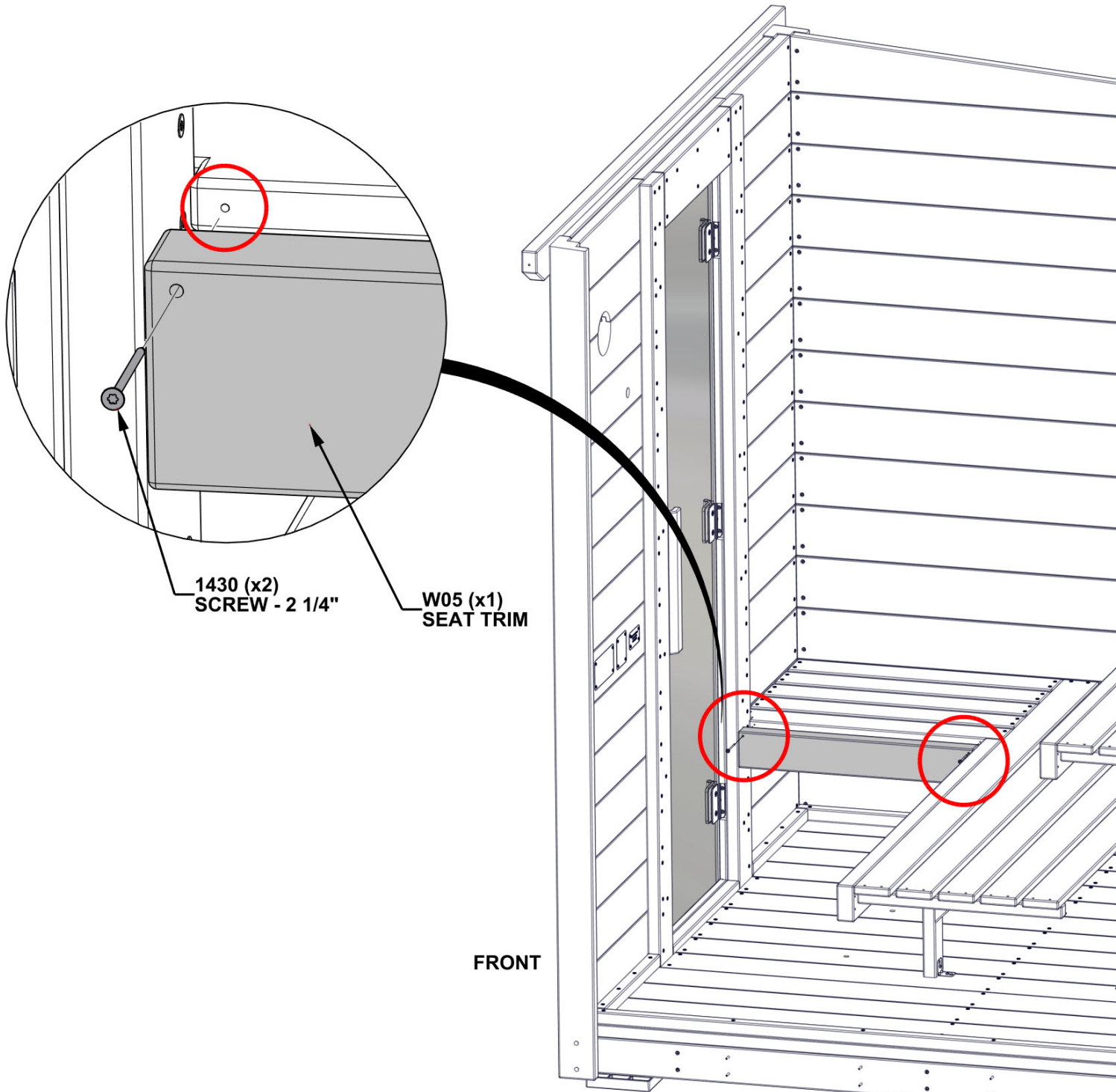
# STEP 39 - BENCH ASSEMBLY

QTY	PART NUMBER	DESCRIPTION
2	H101430	SCREW TFH 8X2 1/4 SS-BLK



W05 SEAT TRIM - W4L22587  
(x1) 1 9/16"x3 3/8"x22 1/16" (40x86x560)

- ALIGN THROUGH HOLES IN SEAT TRIM WITH PILOT HOLES ON BENCH ASSEMBLY AND ATTACH AS SHOWN.

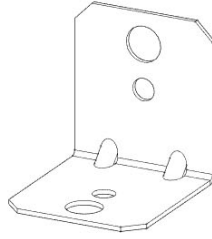


FRONT

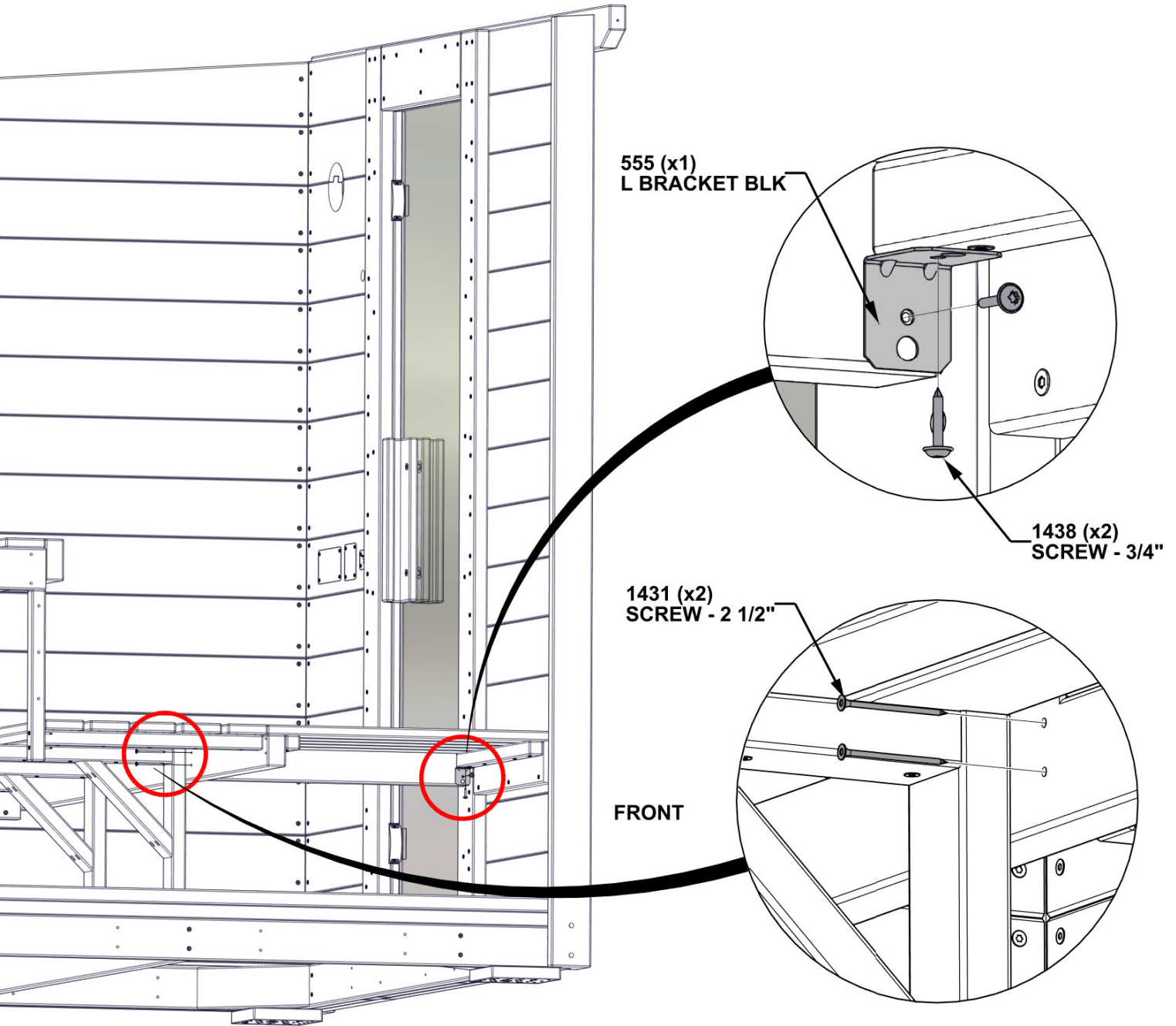


# STEP 40 - BENCH ASSEMBLY

QTY	PART NUMBER	DESCRIPTION
2	H101431	SCREW TFH 8X2 1/2 SS-BLK
2	H101438	SCREW TWH 8x3/4 SS-BLK



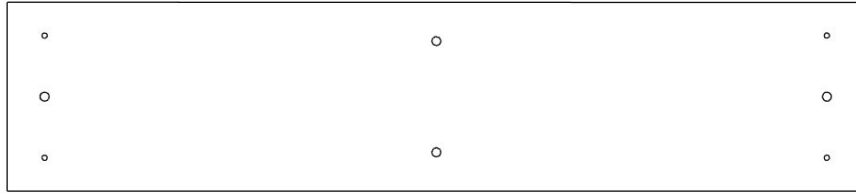
A4M00555 L BRACKET BLK  
(x1)



LEFT SIDE WALL  
HIDDEN FOR DETAIL

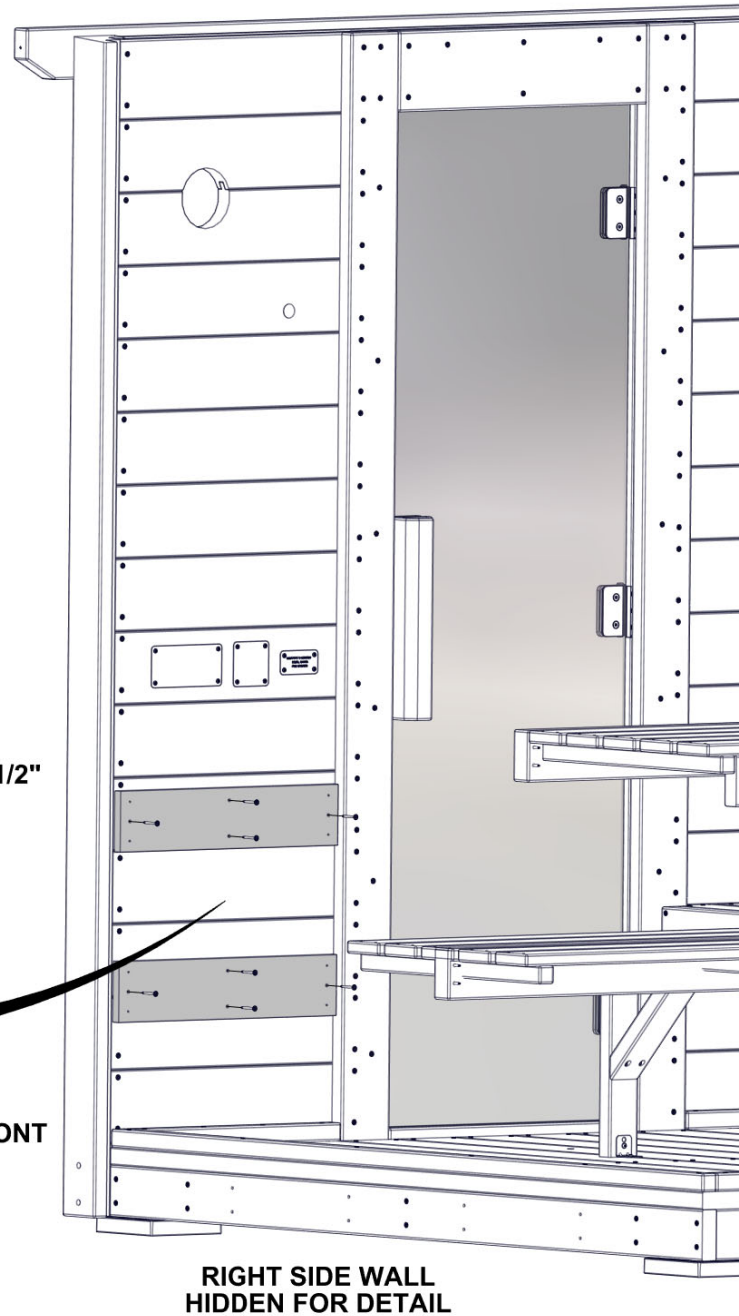
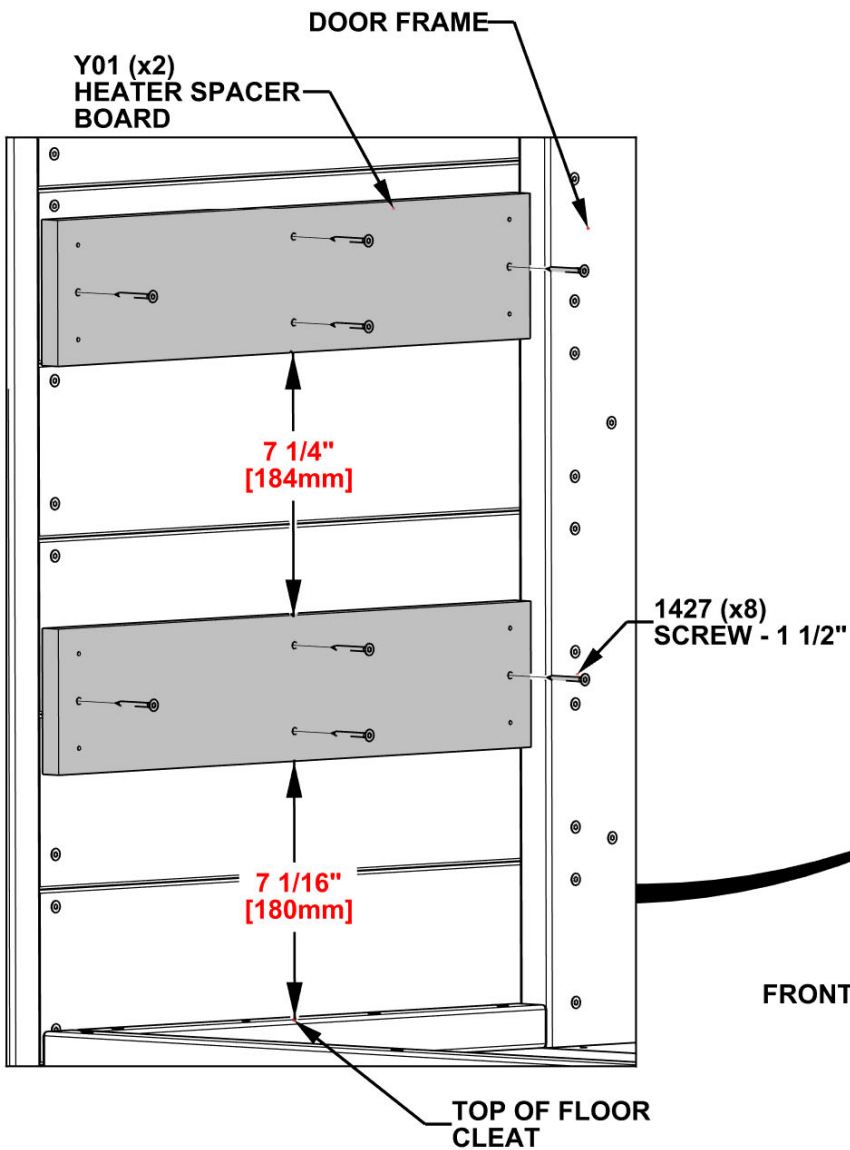
# STEP 41 - HEATER ASSEMBLY

QTY	PART NUMBER	DESCRIPTION
8	H101427	SCREW TFH 8X1 1/2 SS-BLK



Y01 HEATER SPACER BOARD - W4L22601  
(x2) 5/8"x4"x18 1/4" (16x102x464)

- FLUSH Y01 BOARD AGAINST DOOR FRAME.
- USE DIMENSIONS SHOWN TO LOCATE HEATER SPACER BOARDS AND ATTACH AS SHOWN.



# STEP 42 - HEATER GUARD

QTY	PART NUMBER	DESCRIPTION
15	H101428	SCREW TFH 8X1 3/4 SS-BLK



NR04 HEATER GUARD BOARD - W4L22037  
(x5) 13/16"x2 3/8"x15 11/16" (20x60x398)

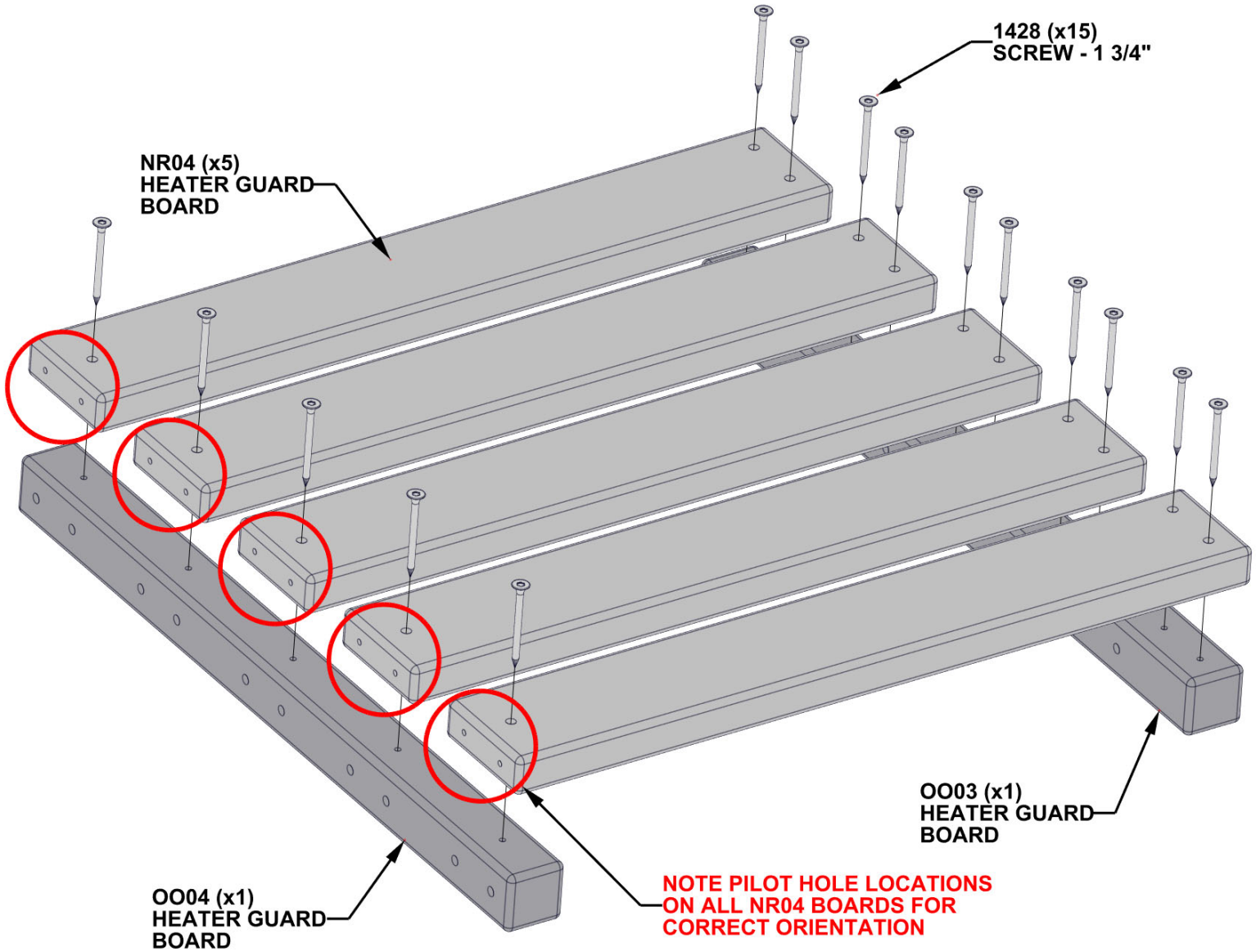


OO03 HEATER GUARD BOARD - W4L22038  
(x1) 1 3/16"x1 3/16"x16 1/8" (30x30x410)



OO04 HEATER GUARD BOARD - W4L22035  
(x1) 1 3/16"x1 3/16"x16 1/8" (30x30x410)

- ALIGN THROUGH HOLES WITH PILOT HOLES AND ATTACH AS SHOWN.



# STEP 43 - HEATER GUARD

QTY	PART NUMBER	DESCRIPTION
30	H101428	SCREW TFH 8X1 3/4 SS-BLK

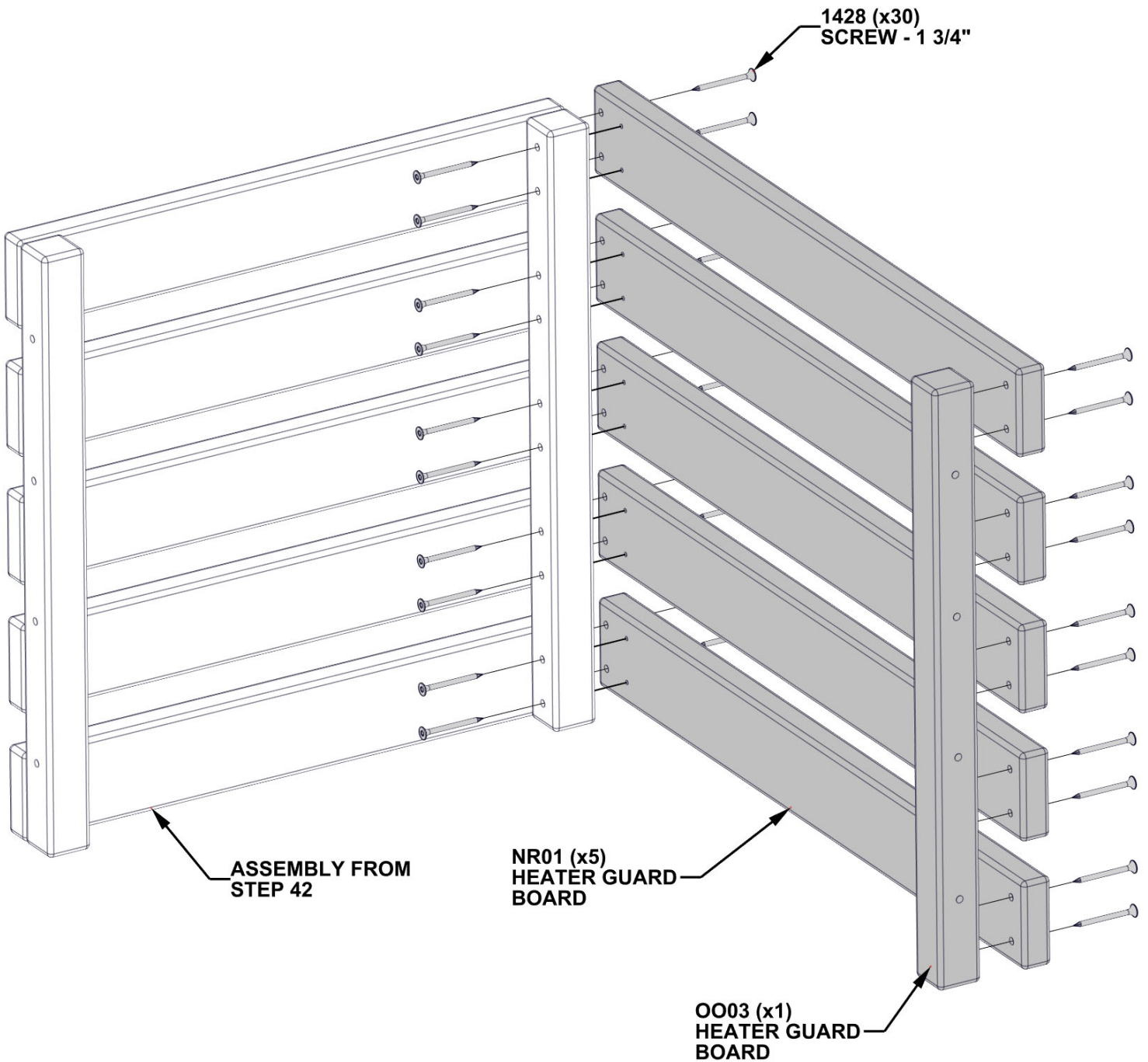


NR01 HEATER GUARD BOARD - W4L22493  
(x5) 13/16"x2 3/8"x20 1/2" (20x60x521)



OO03 HEATER GUARD BOARD - W4L22038  
(x1) 1 3/16"x1 3/16"x16 1/8" (30x30x410)

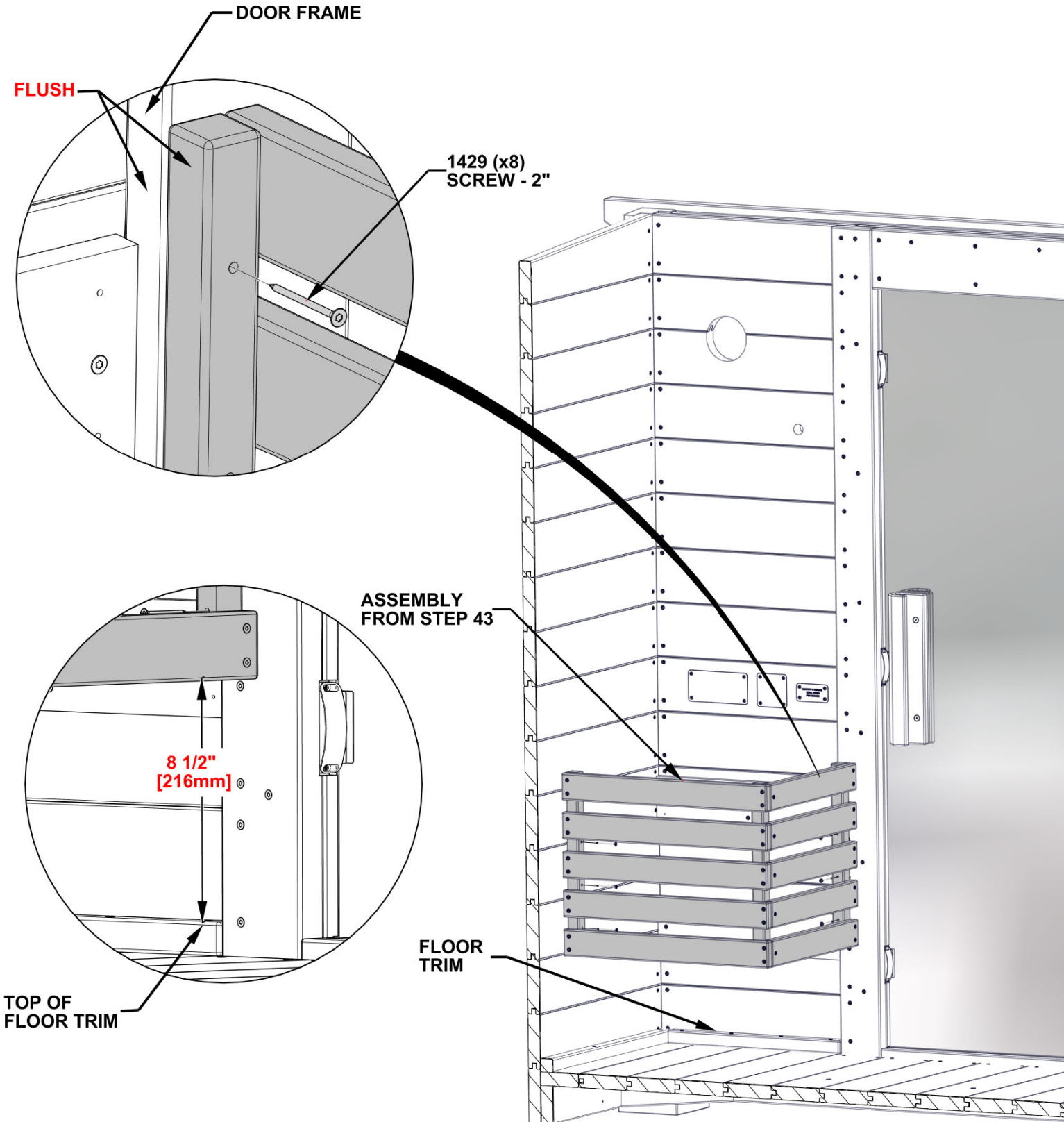
- ALIGN THROUGH HOLES WITH PILOT HOLES AND ATTACH AS SHOWN.



# STEP 44 - HEATER GUARD

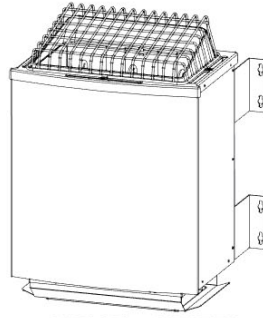
QTY	PART NUMBER	DESCRIPTION
8	H101429	SCREW TFH 8X2 SS-BLK

- POSITION HEATER GUARD ASSEMBLY AS SHOWN AND ATTACH.



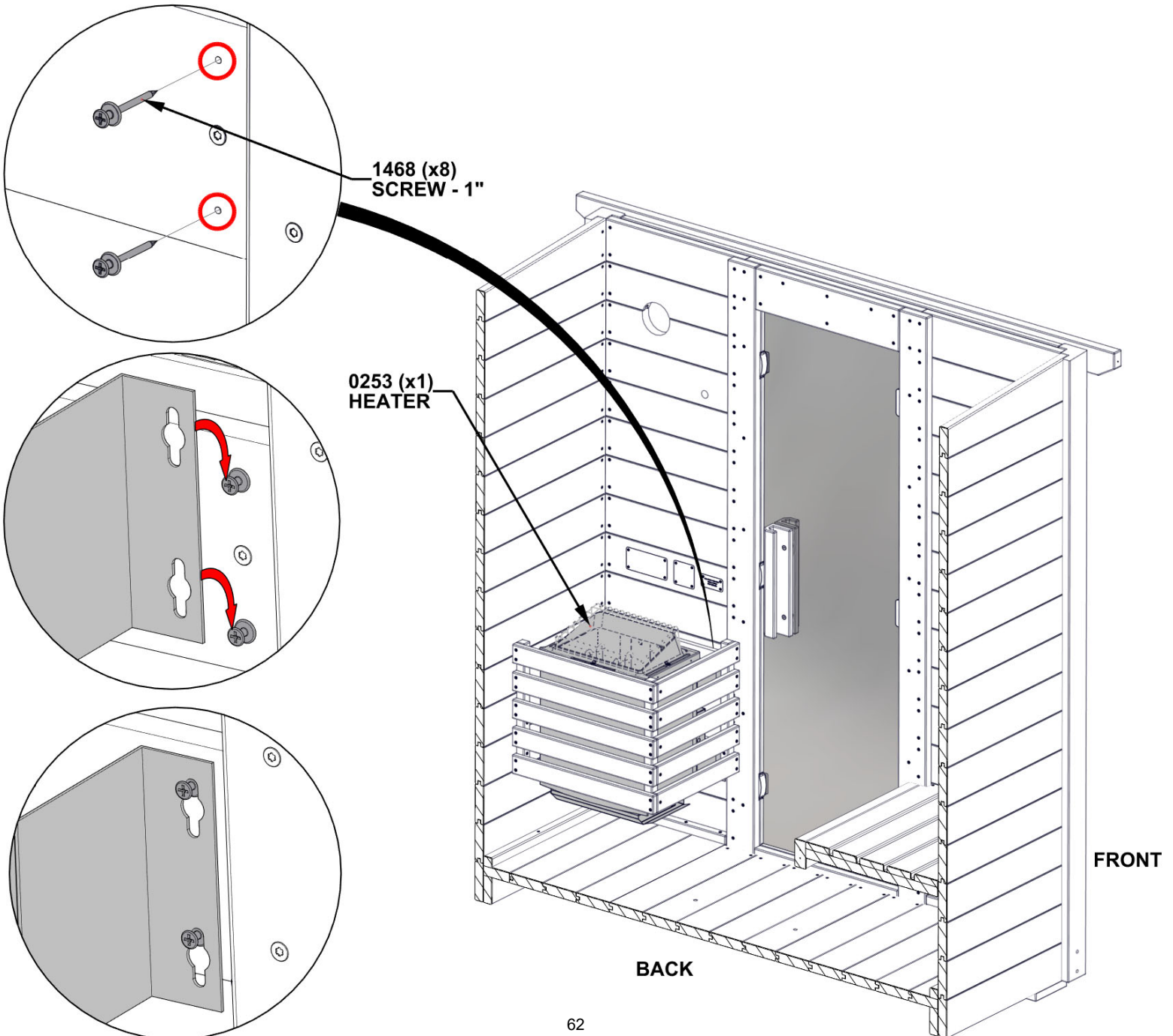
# STEP 45 - HEATER ASSEMBLY

QTY	PART NUMBER	DESCRIPTION
8	H101468	SCREW RAISED HEAD 8x1 BLK



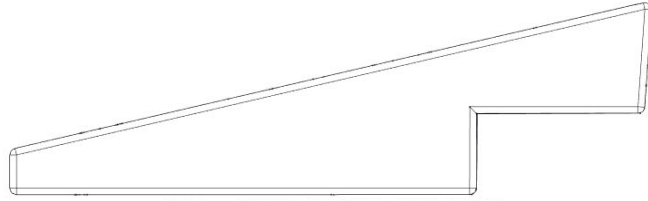
9250253 HEATER  
(x1)

- CAUTION: IMPROPER INSTALLATION OF THE HEATER COULD CAUSE HEATER TO FALL CAUSING BURNS OR OTHER INJURIES.
- DANGER! TURN OFF POWER TO THE HEATER AT THE BREAKER BEFORE BEGINNING INSTALLATION OR PERFORMING ANY MAINTENANCE. FAILURE TO TURN OFF THE POWER CAN RESULT IN ELECTROCUTION AND EVEN DEATH.
- ONCE FINISHED WITH THE SAUNA BUILD, A LICENSED ELECTRICIAN IS REQUIRED FOR HEATER INSTALLATION.
- SEE HEATER INSTRUCTIONS FOR INSTALLATION.
- INSERT SCREWS INTO PILOT HOLES IN HEATER GUARD SPACER BOARDS.
- HANG HEATER ONTO SCREWS, ENSURING ALL 8 SCREWS ARE ALIGNED INTO THE SLOTS IN THE HEATER AS SHOWN.



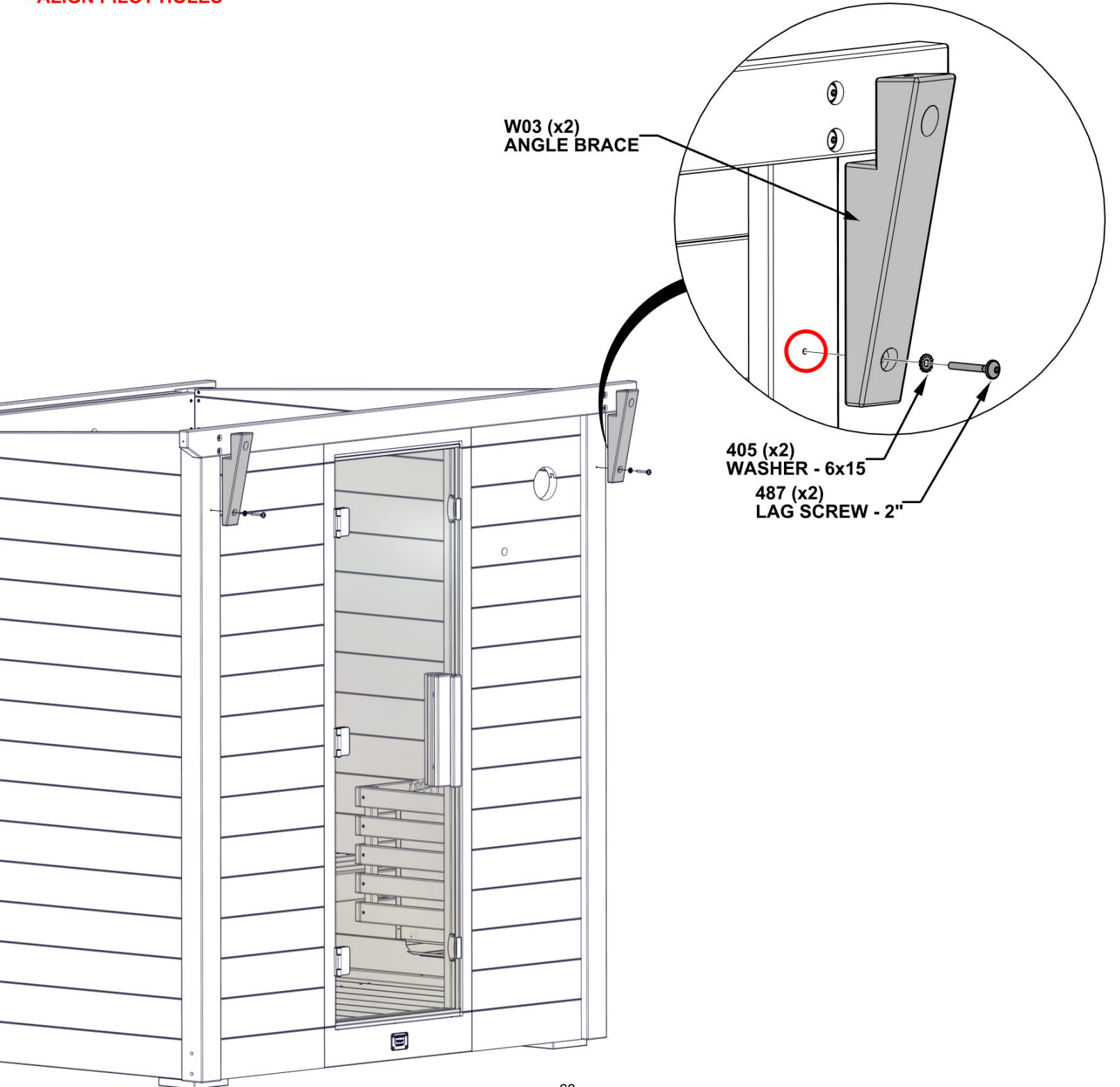
# STEP 46 - ROOF ASSEMBLY

QTY	PART NUMBER	DESCRIPTION
2	H100405	WASHER LOCK EXT 6x15
2	H100487	LAG SCREW WH 1/4x2 BLK



W03 ANGLE BRACE - W4L22409  
(x2) 1 15/16"x3 3/8"x11 1/4" (50x86x285)

**- ALIGN PILOT HOLES**



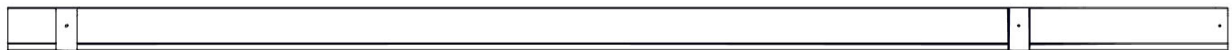


W03 (x2)  
ANGLE BRACE

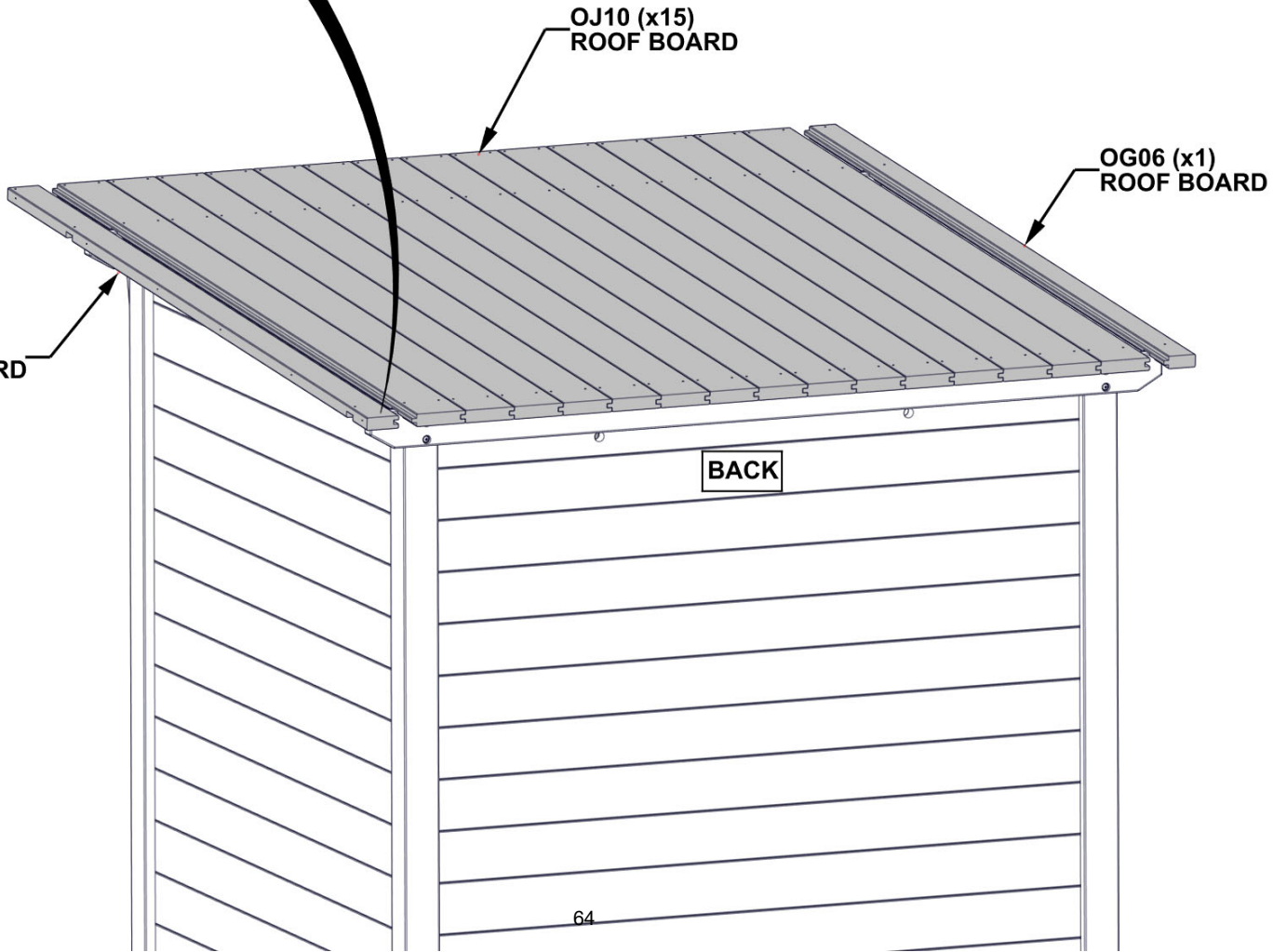
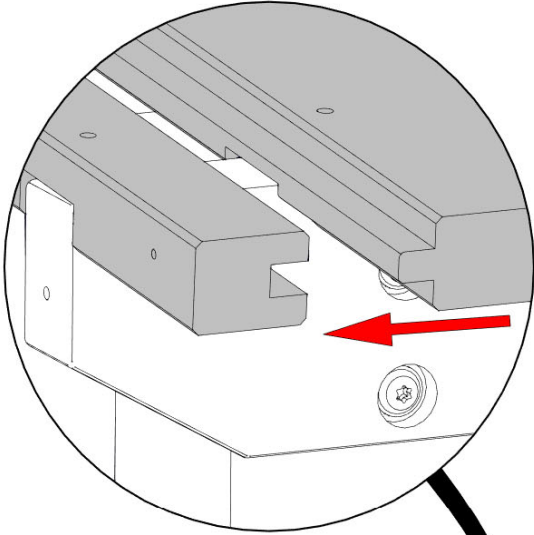
405 (x2)  
WASHER - 6x15

487 (x2)  
LAG SCREW - 2"

# STEP 47 - ROOF ASSEMBLY

	OG07	ROOF BOARD - W4L22470
	(x1)	1 3/16"x3 1/8"x88 9/16" (30x79x2250)
	OJ10	ROOF BOARD - W4L22359
	(x15)	1 3/16"x5 1/4"x88 9/16" (30x134x2250)
	OG06	ROOF BOARD - W4L22469
	(x1)	1 3/16"x3 1/8"x88 9/16" (30x79x2250)

- EVENLY SPACE ROOF BOARDS ON TOP AS SHOWN. DO NOT FASTEN AT THIS TIME.





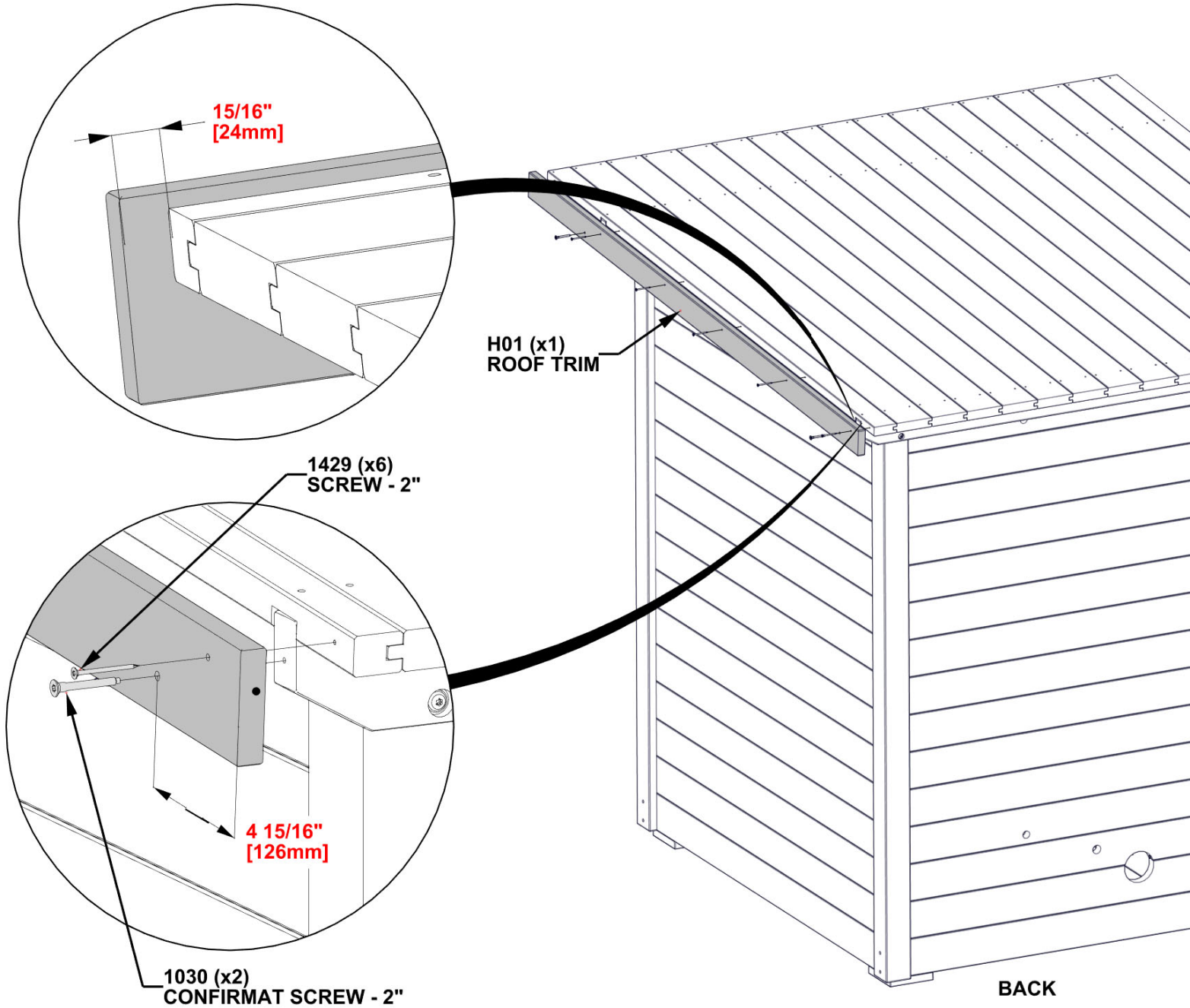
# STEP 48 - ROOF ASSEMBLY

QTY	PART NUMBER	DESCRIPTION
2	H101030	SCREW CONFIRMAT 7x2 BLK
6	H101429	SCREW TFH 8X2 SS-BLK



H01 ROOF TRIM - W4L22360  
(x1) 15/16"x3 3/8"x89 3/8" (24x86x2270)

- ALIGN THROUGH HOLES WITH PILOT HOLES.
- USE DIMENSIONS SHOWN TO LOCATE NG02 AND ATTACH AS SHOWN.



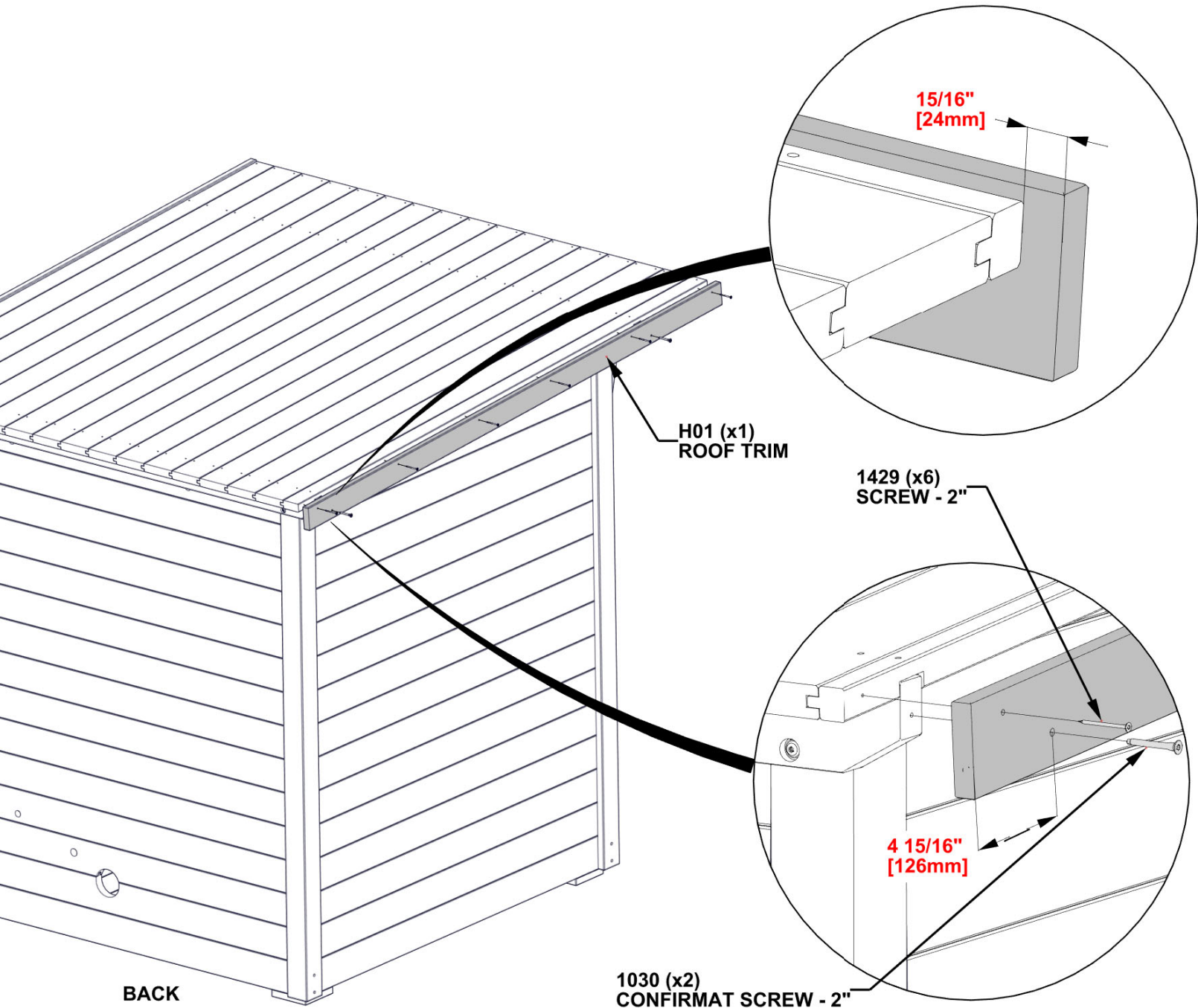
# STEP 49 - ROOF ASSEMBLY

QTY	PART NUMBER	DESCRIPTION
2	H101030	SCREW CONFIRMAT 7x2 BLK
6	H101429	SCREW TFH 8X2 SS-BLK



H01 ROOF TRIM - W4L22360  
(x1) 15/16"x3 3/8"x89 3/8" (24x86x2270)

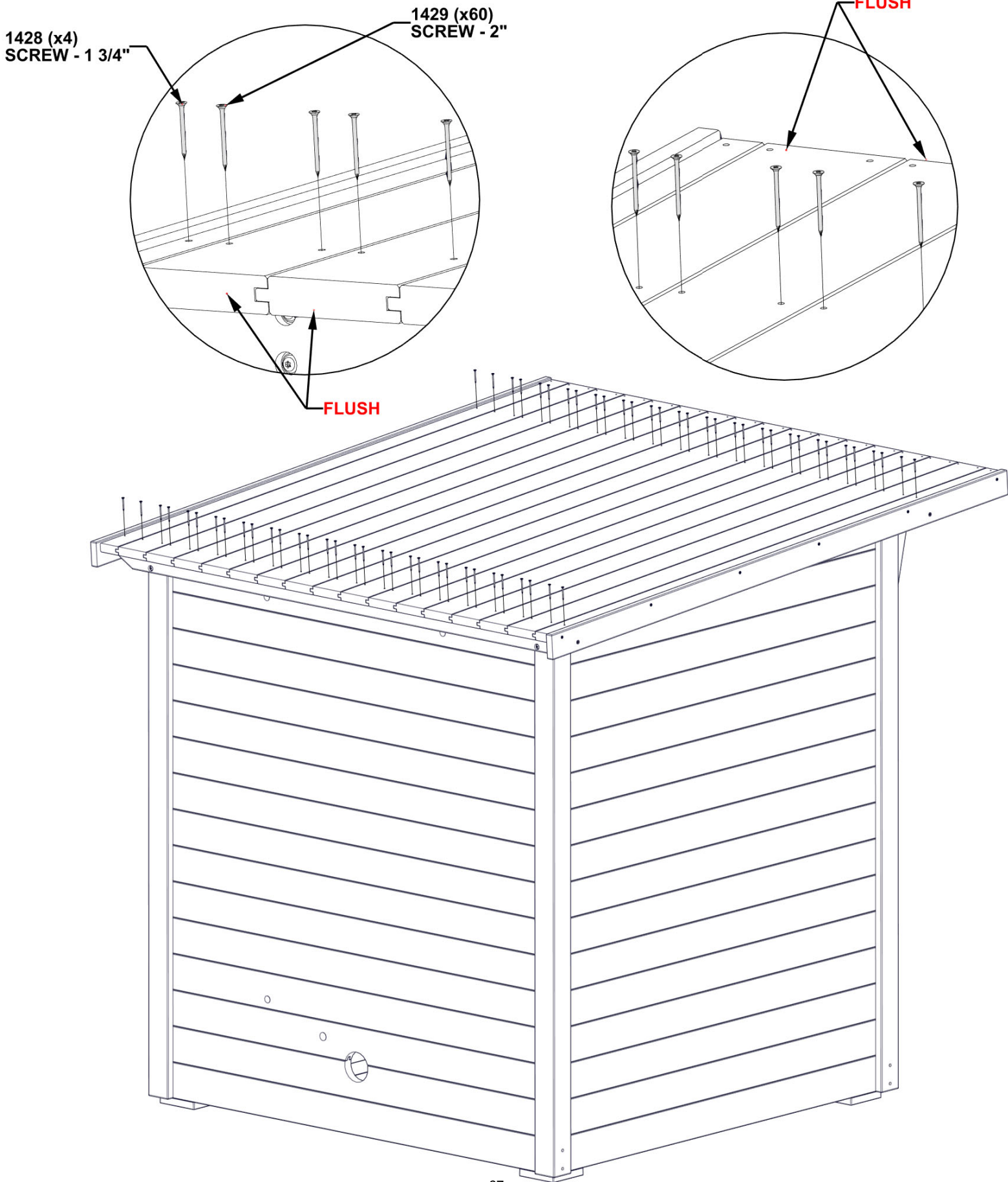
- ALIGN THROUGH HOLES WITH PILOT HOLES.
- USE DIMENSIONS SHOWN TO LOCATE NG02 AND ATTACH AS SHOWN.



# STEP 50 - ROOF ASSEMBLY

QTY	PART NUMBER	DESCRIPTION
4	H101428	SCREW TFH 8X1 3/4 SS-BLK
60	H101429	SCREW TFH 8X2 SS-BLK

- ADJUST ROOF BOARDS AS NEEDED TO BE FLUSH BOTH AT FRONT AND BACK.
- ATTACH AS SHOWN.



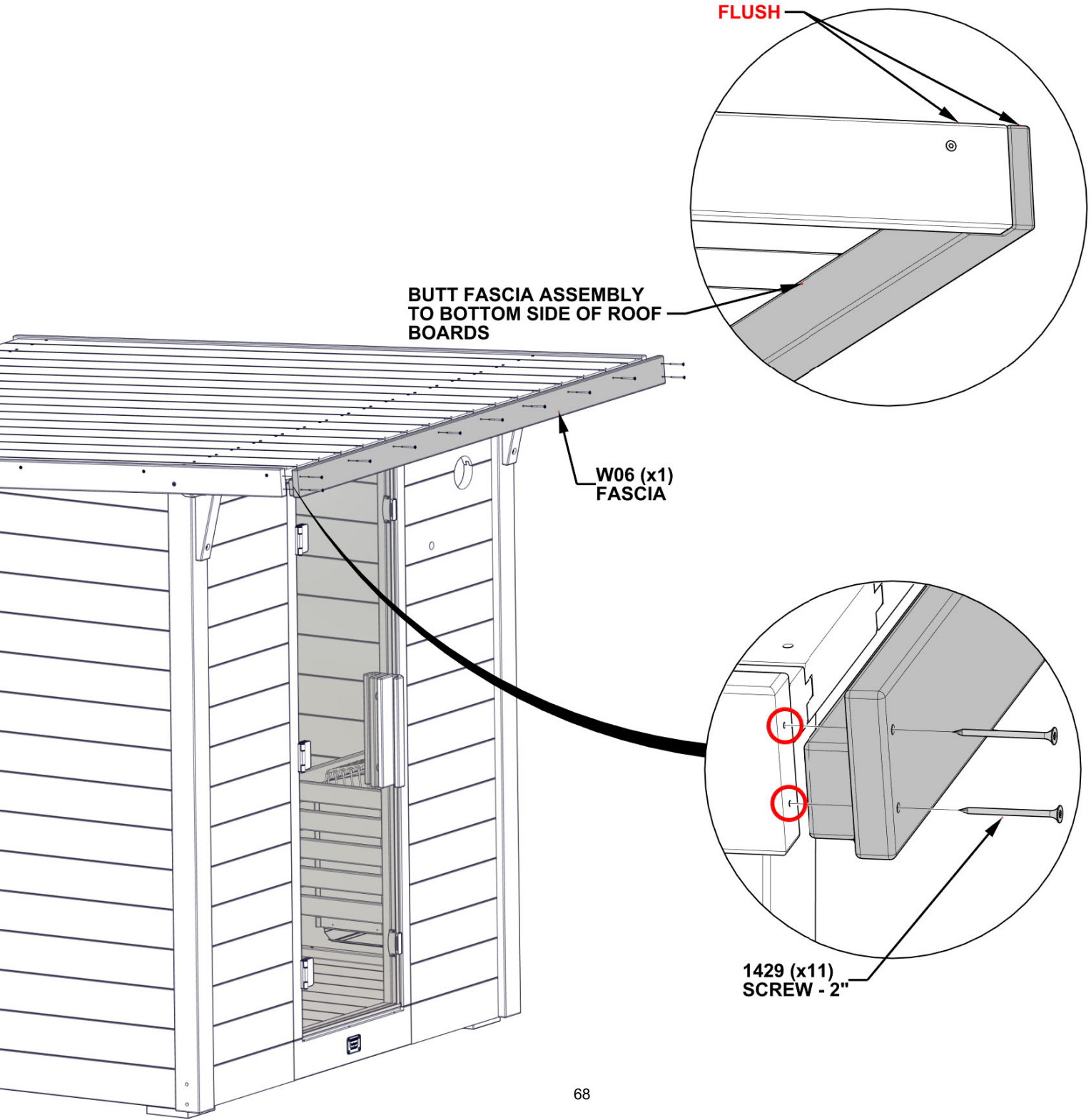
# STEP 51 - ROOF ASSEMBLY

QTY	PART NUMBER	DESCRIPTION
11	H101429	SCREW TFH 8X2 SS-BLK



W06 FASCIA - W4L22457  
(x1) 1 15/16"x3 3/8"x80" (50x86x2032)

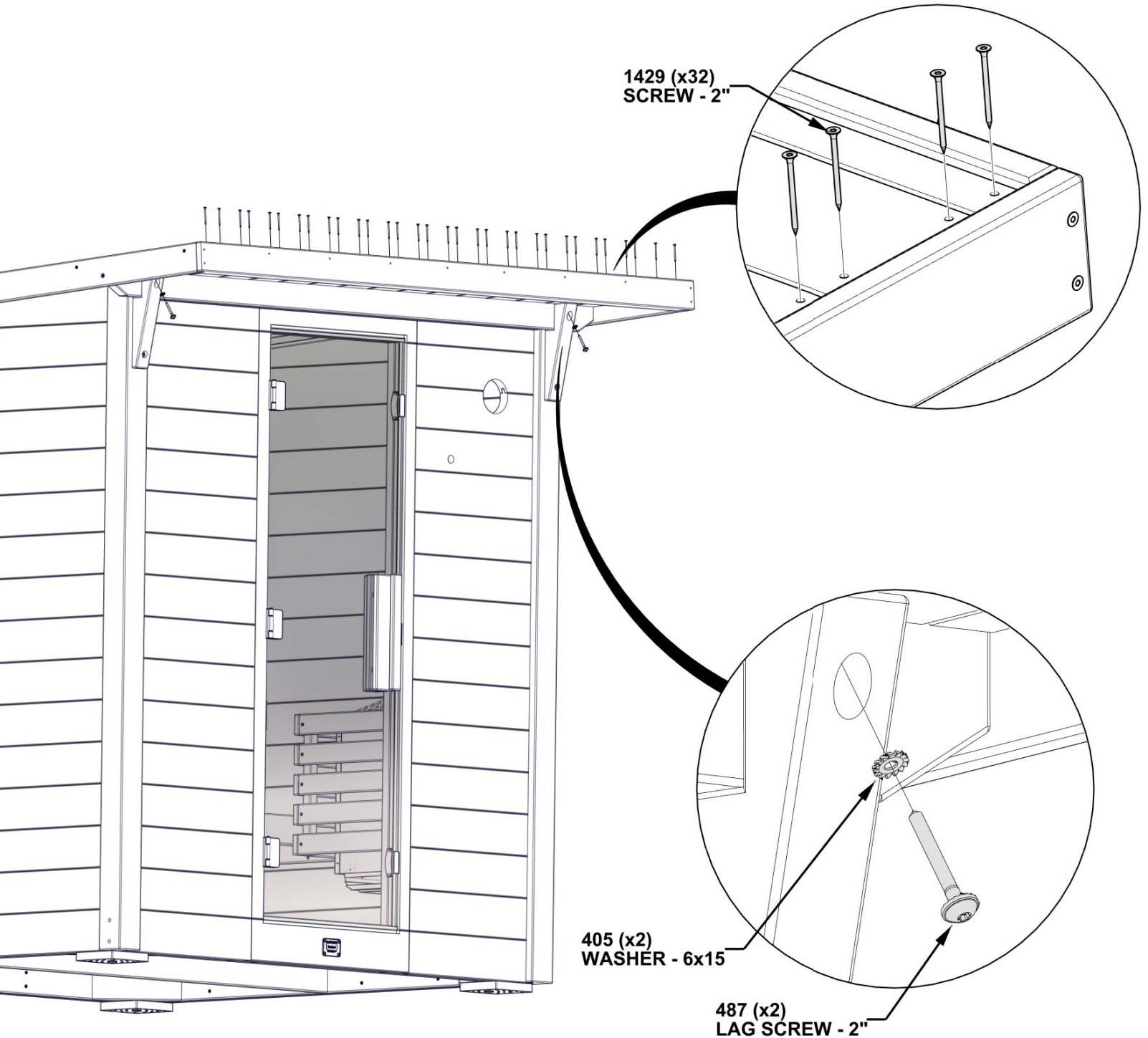
- ALIGN THROUGH HOLES WITH PILOT HOLES AND ATTACH AS SHOWN.



# STEP 52 - ROOF ASSEMBLY

QTY	PART NUMBER	DESCRIPTION
2	H100405	WASHER LOCK EXT 6x15
2	H100487	LAG SCREW WH 1/4x2 BLK
32	H101429	SCREW TFH 8X2 SS-BLK

- ONCE FASCIA ASSEMBLY IS LINED UP WITH THROUGH HOLES IN ROOF BOARDS FROM THE PREVIOUS STEP, ATTACH AS SHOWN.

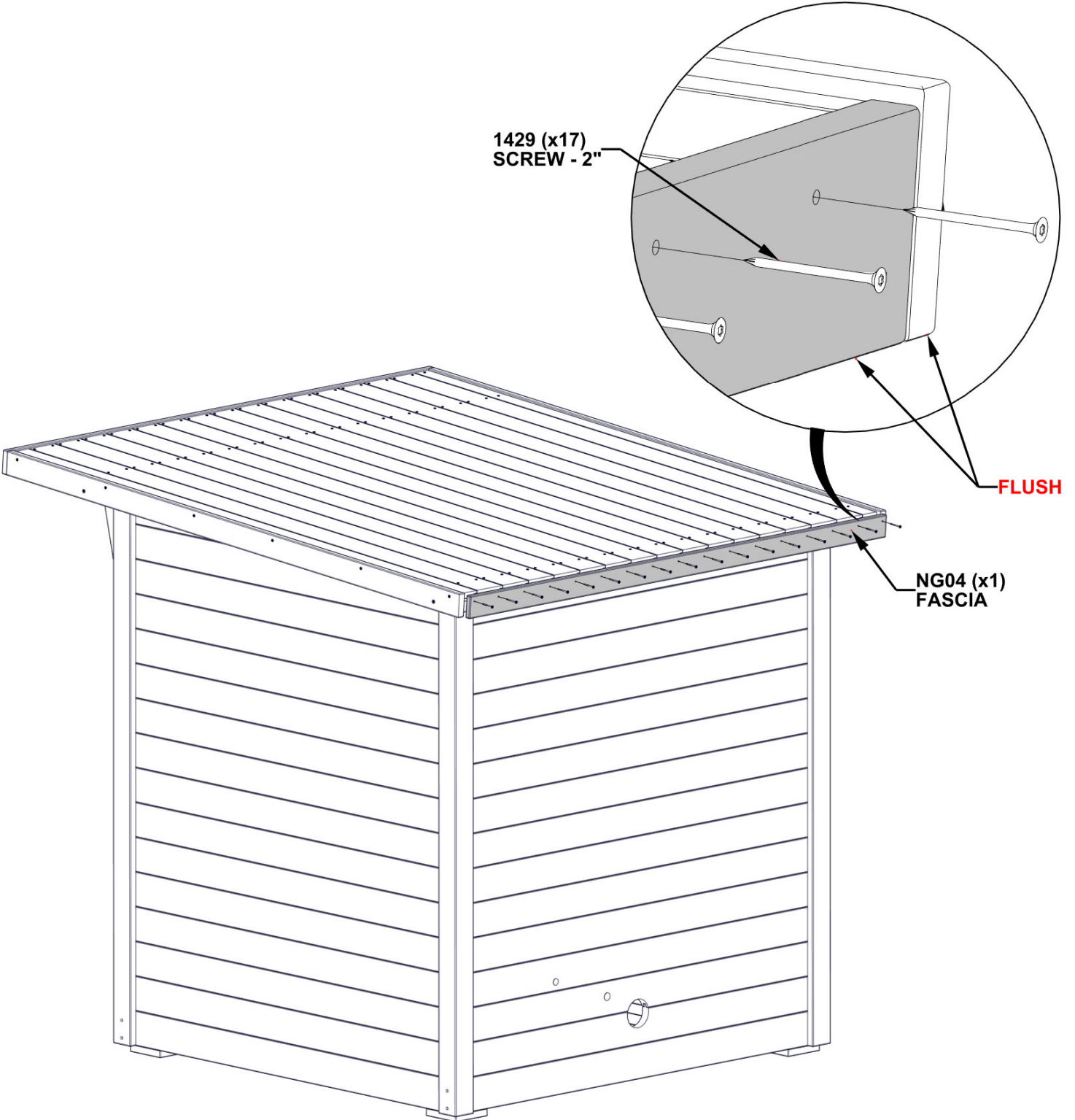


# STEP 53 - ROOF ASSEMBLY

QTY	PART NUMBER	DESCRIPTION
17	H101429	SCREW TFH 8X2 SS-BLK



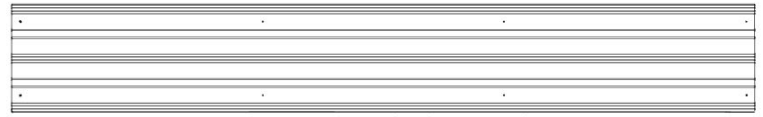
NG04 FASCIA - W4L22458  
(x1) 13/16"x3 1/8"x78 1/8" (20x80x1984)



# STEP 54 - ROOF ASSEMBLY

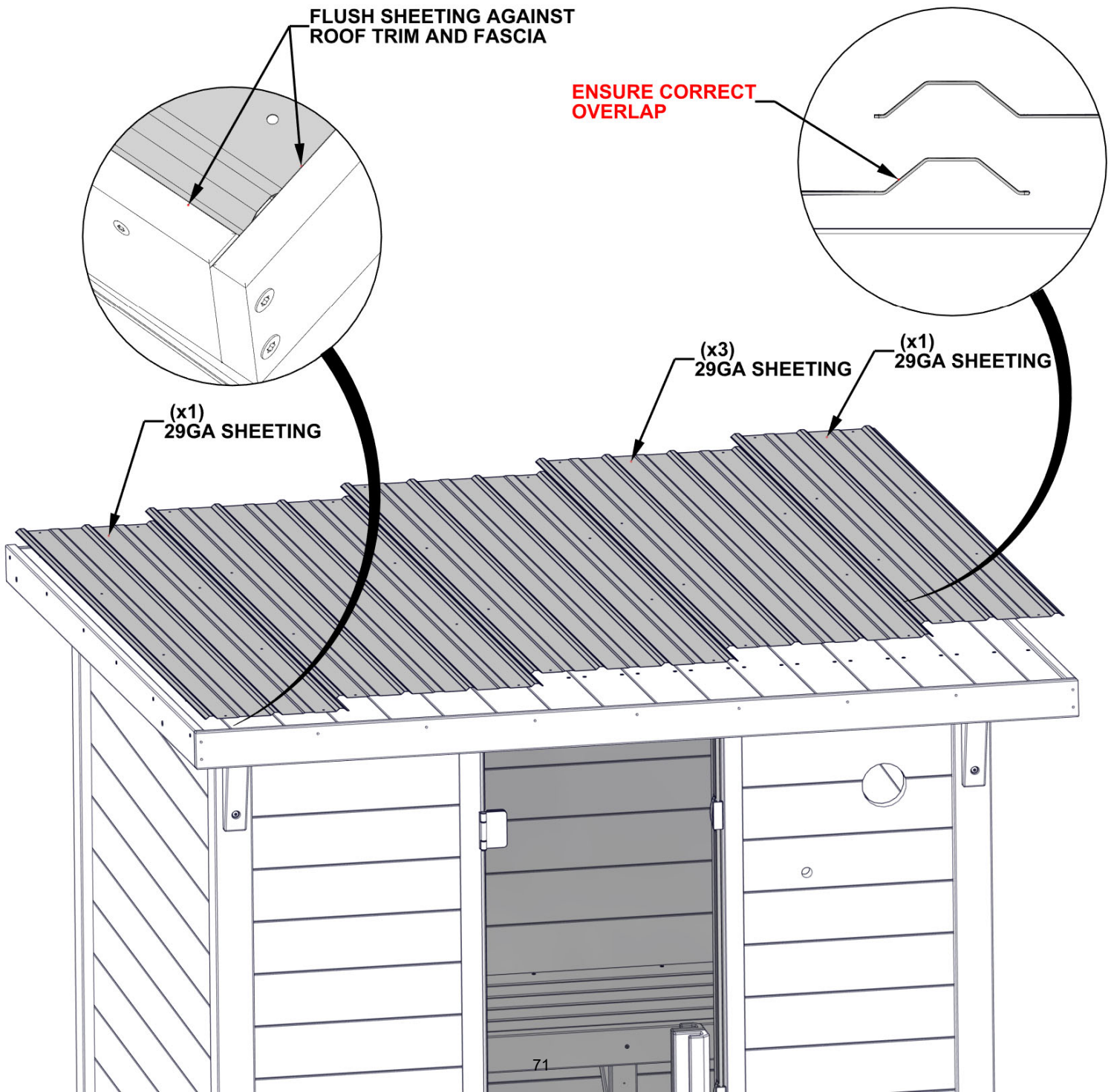


A4M05912 29GA SHEETING  
(x3)



A4M05913 29GA SHEETING  
(x2)

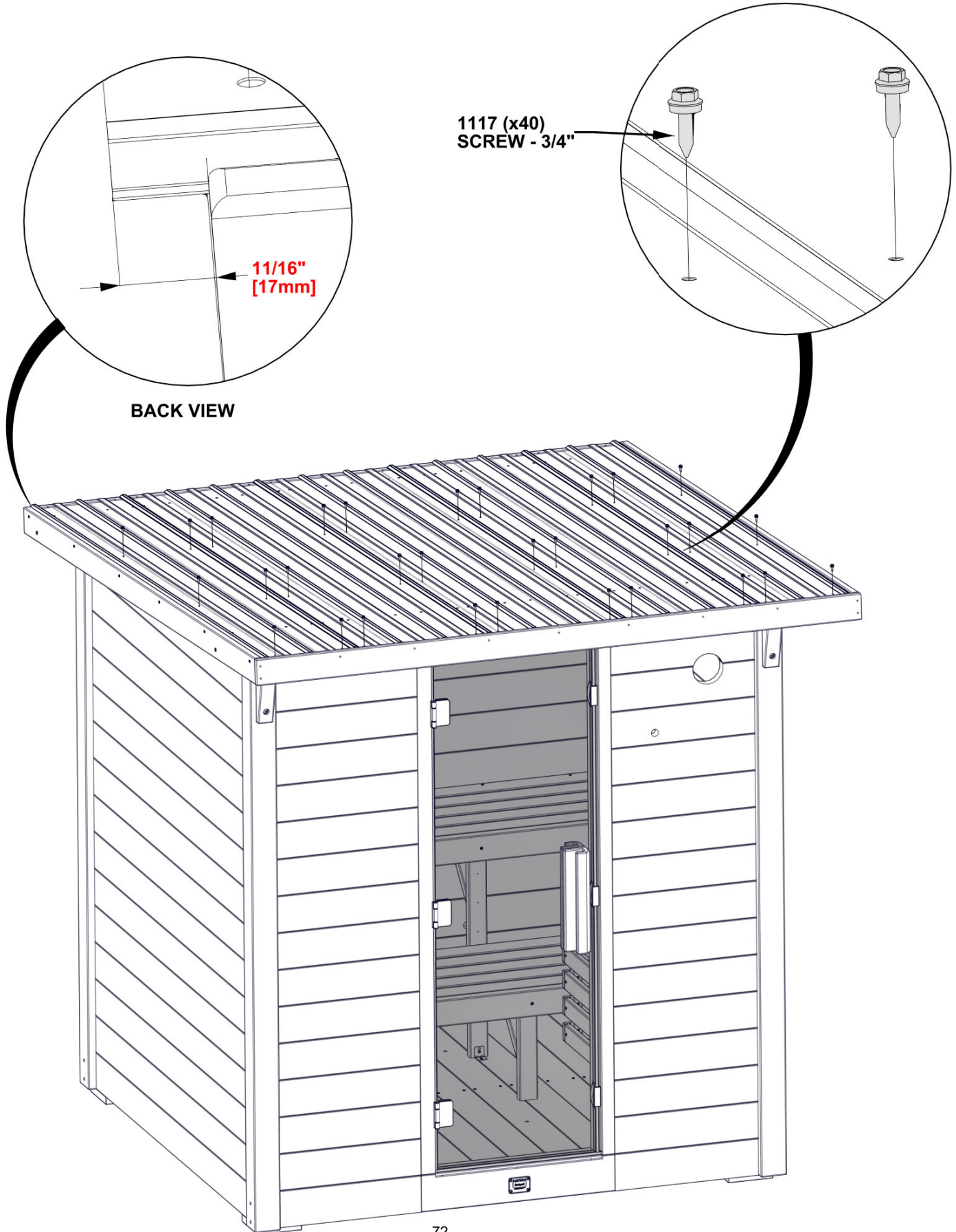
- **WARNING: USE GLOVES WHEN HANDLING STEEL SHEETING.**
- **IMPORTANT: REMOVE BLUE FILM BEFORE INSTALLATION.**
- **STARTING ON LEFT HAND SIDE, BUTT SHEETING AGAINST ROOF TRIM AND FASCIA AS SHOWN.**
- **CONTINUE FROM LEFT TO RIGHT BY LAYING SHEETING DOWN OVERLAPPING EACH SHEET BY ONE RIB.**



# STEP 55 - ROOF ASSEMBLY

QTY	PART NUMBER	DESCRIPTION
30	H101117	SCREW WOODGRIP 10-16x3/4" BLK

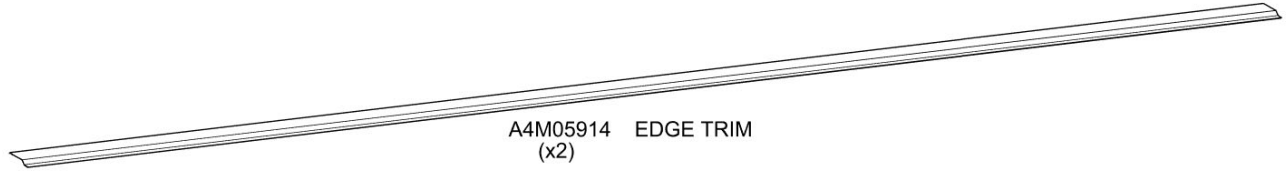
- **WARNING: USE GLOVES WHEN HANDLING STEEL SHEETING.**
- ONCE SHEETING IS IN PLACE FROM PREVIOUS STEP, FASTEN AS SHOWN.
- THE BACK OF THE SAUNA WILL HAVE A SMALL OVERHANG AS SHOWN.
- **DO NOT INSTALL BACK ROW OF SCREWS AT THIS TIME**





# STEP 56 - ROOF ASSEMBLY

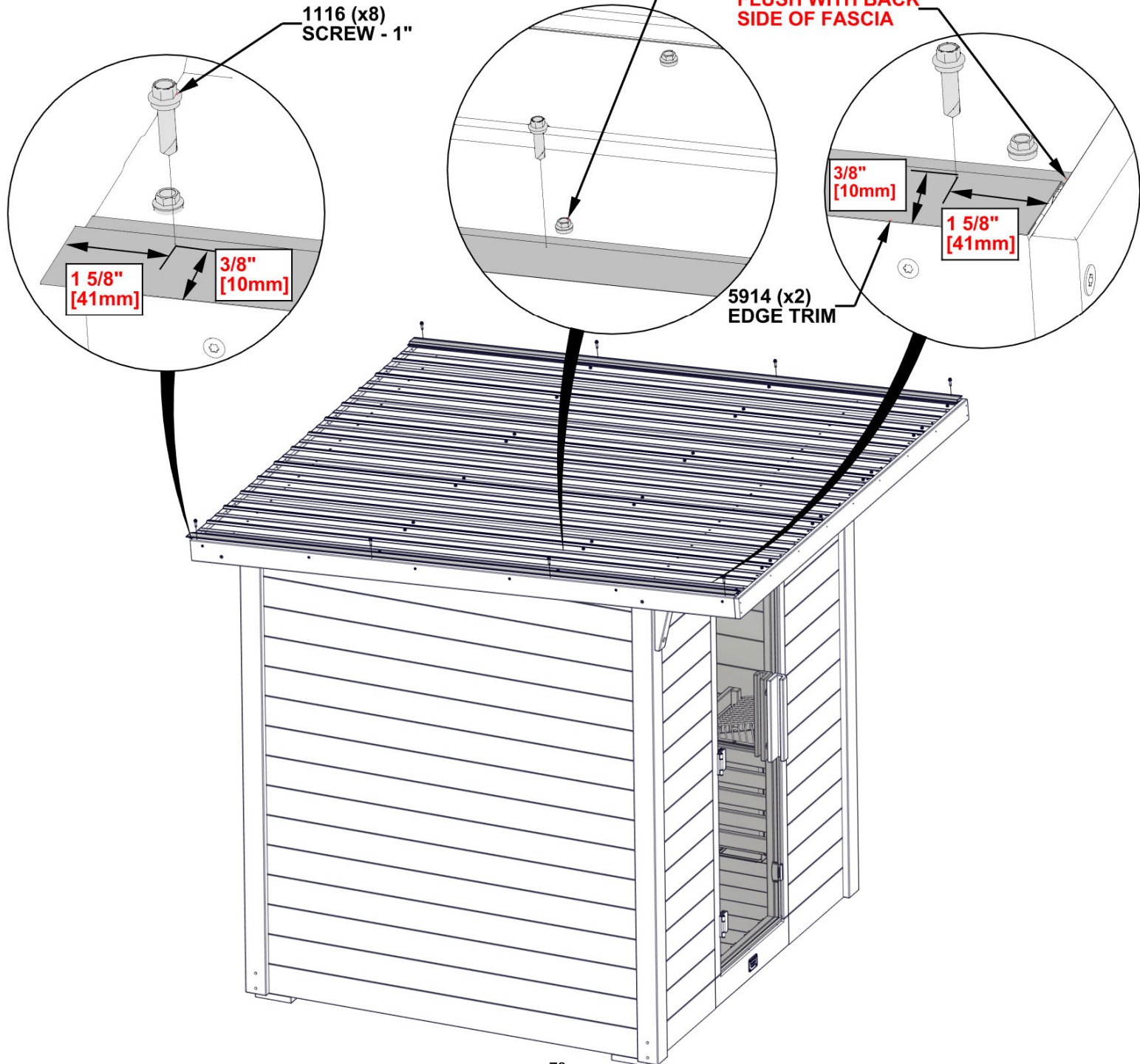
QTY	PART NUMBER	DESCRIPTION
8	H101116	SCREW SELF TAPPING 1/4x1 BLK



- **WARNING: USE GLOVES WHEN HANDLING STEEL SHEETING.**
- **IMPORTANT: REMOVE BLUE FILM BEFORE INSTALLATION.**
- FLUSH EDGE TRIM WITH SHEETING INSTALLED IN PREVIOUS STEP.
- ATTACH AS SHOWN AT THE APPROXIMATE LOCATIONS ON BOTH SIDES OF SAUNA.

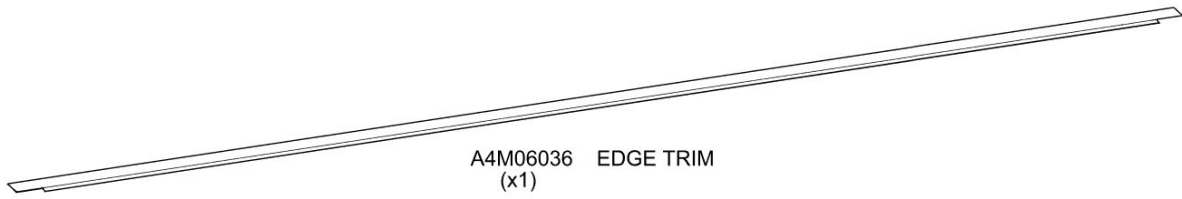
LOCATE THE TWO CENTER ROWS OF SCREWS STRAIGHT ACROSS FROM PREVIOUS INSTALLED SCREWS IN SHEETING

FLUSH WITH BACK SIDE OF FASCIA



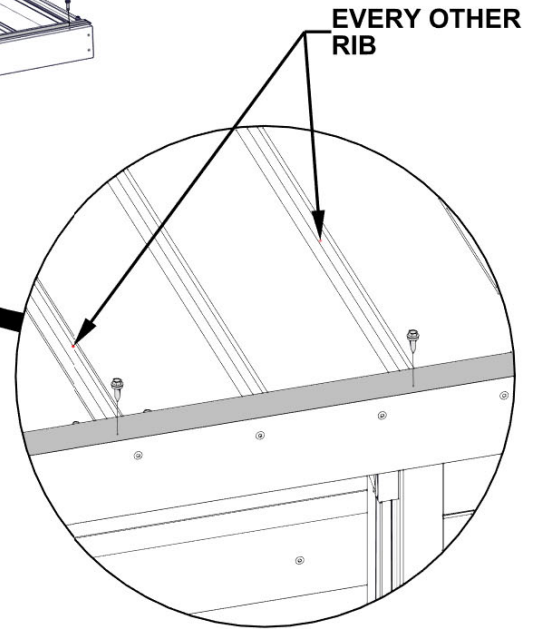
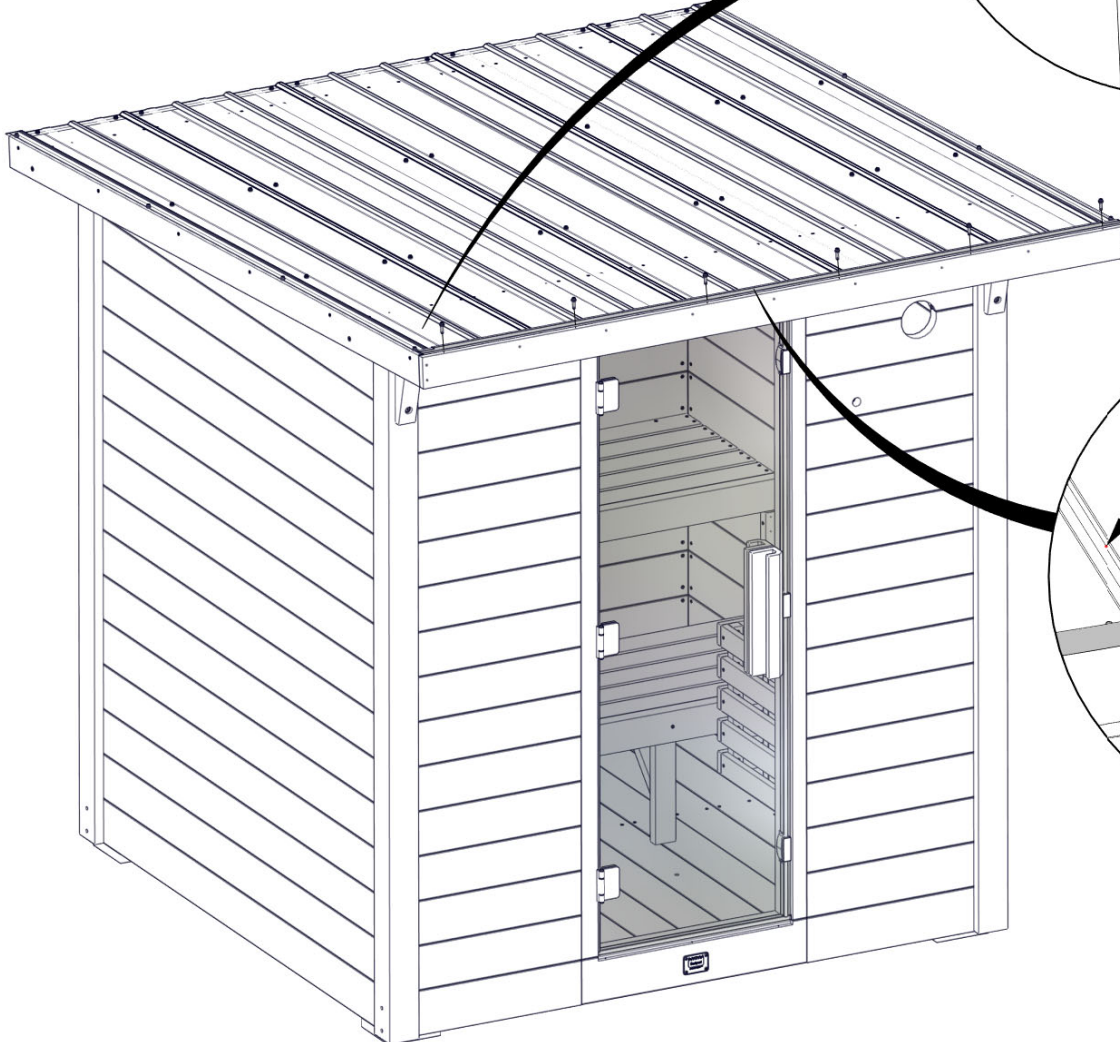
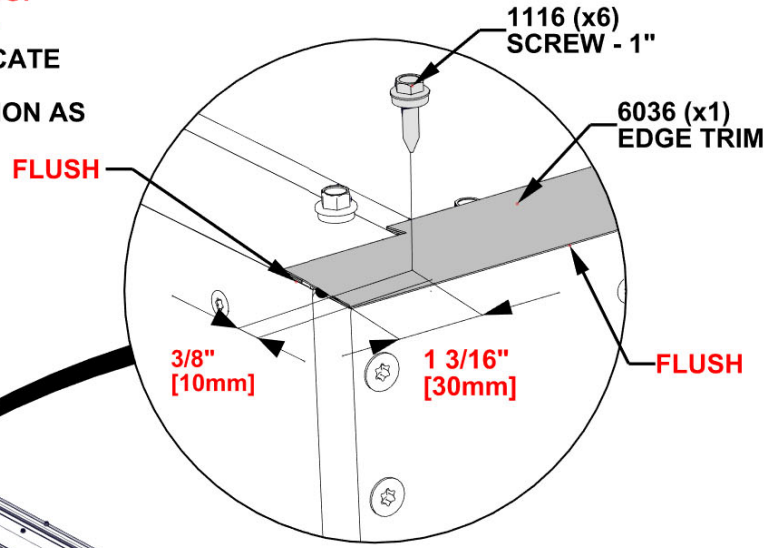
# STEP 57 - ROOF ASSEMBLY

QTY	PART NUMBER	DESCRIPTION
6	H101116	SCREW SELF TAPPING 1/4x1 BLK



- **WARNING: USE GLOVES WHEN HANDLING STEEL SHEETING.**
- **IMPORTANT: REMOVE BLUE FILM BEFORE INSTALLATION.**

- POSITION EDGE TRIM AS SHOWN. USE DIMENSION TO LOCATE AND ATTACH SCREW.
- SKIP NEXT RIB AND FASTEN AT EVERY OTHER RIB LOCATION AS SHOWN IN DETAIL.



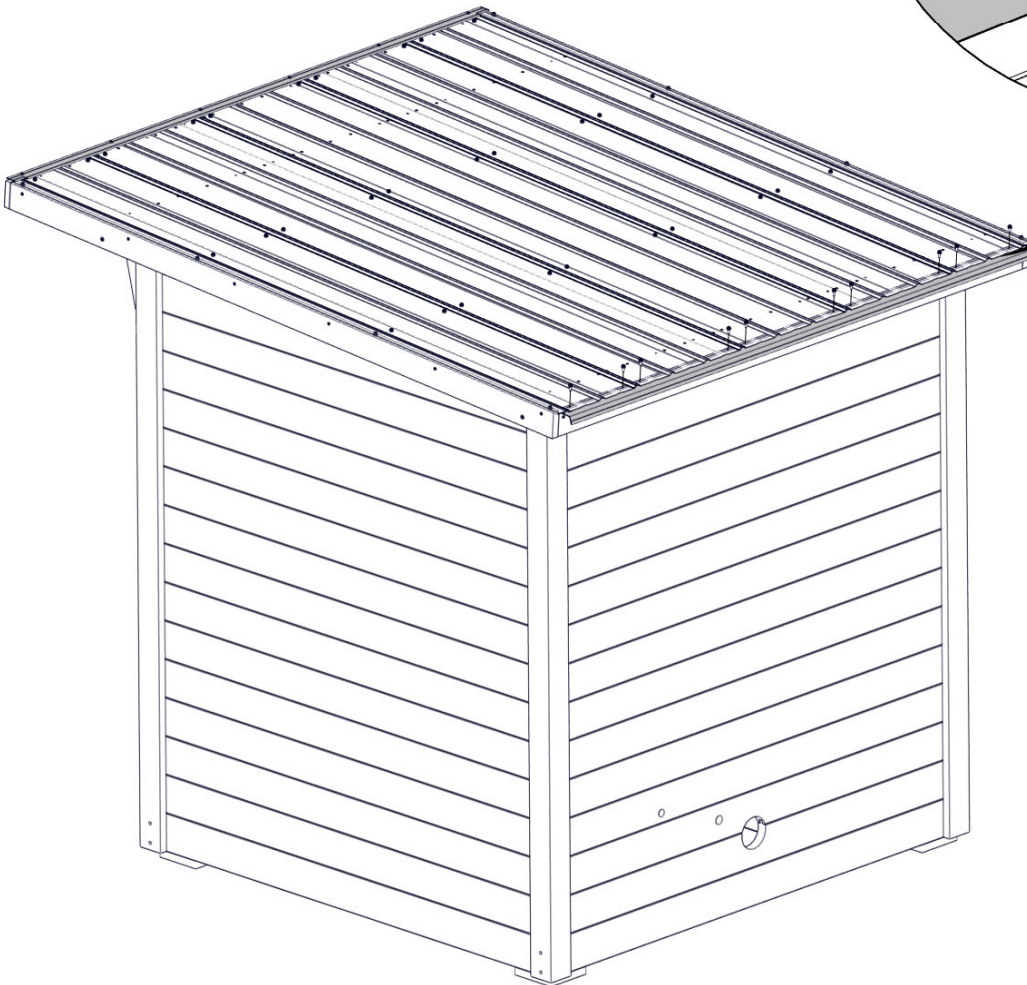
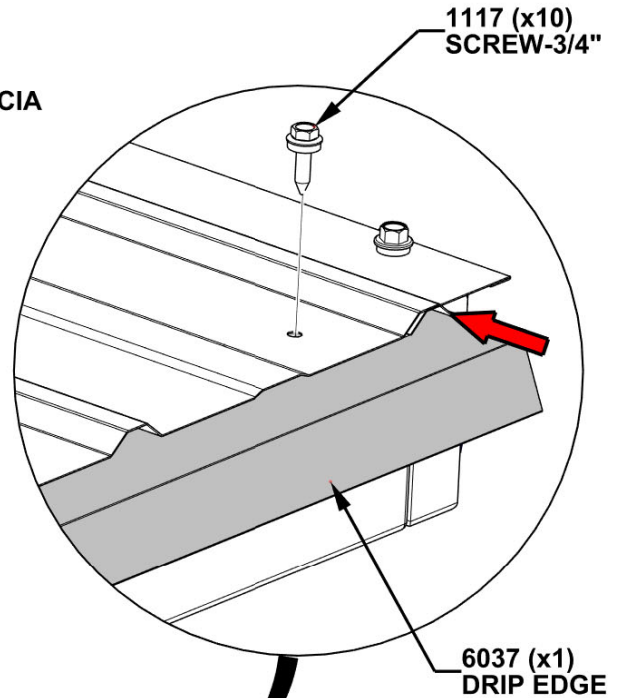
# STEP 58 - ROOF ASSEMBLY

QTY	PART NUMBER	DESCRIPTION
10	H101117	SCREW WOODGRIP 10-16x3/4" BLK



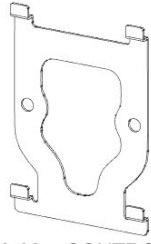
A4M06037 DRIP EDGE  
(x1)

- **WARNING: USE GLOVES WHEN HANDLING STEEL SHEETING.**
- **IMPORTANT: REMOVE BLUE FILM BEFORE INSTALLATION.**
- **INSERT DRIP EDGE UNDER ROOF SHEETING AS SHOWN.**
- **PUSH IN EVENLY UNTIL DRIP EDGE CONTACTS THE BACK FASCIA BOARD AND ATTACH BACK ROW OF WOODGRIP SCREWS.**

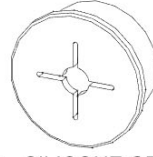


# STEP 59 - CONTROL PANEL

QTY	PART NUMBER	DESCRIPTION
2	H100627	SCREW PFH 6x3/4 BLK

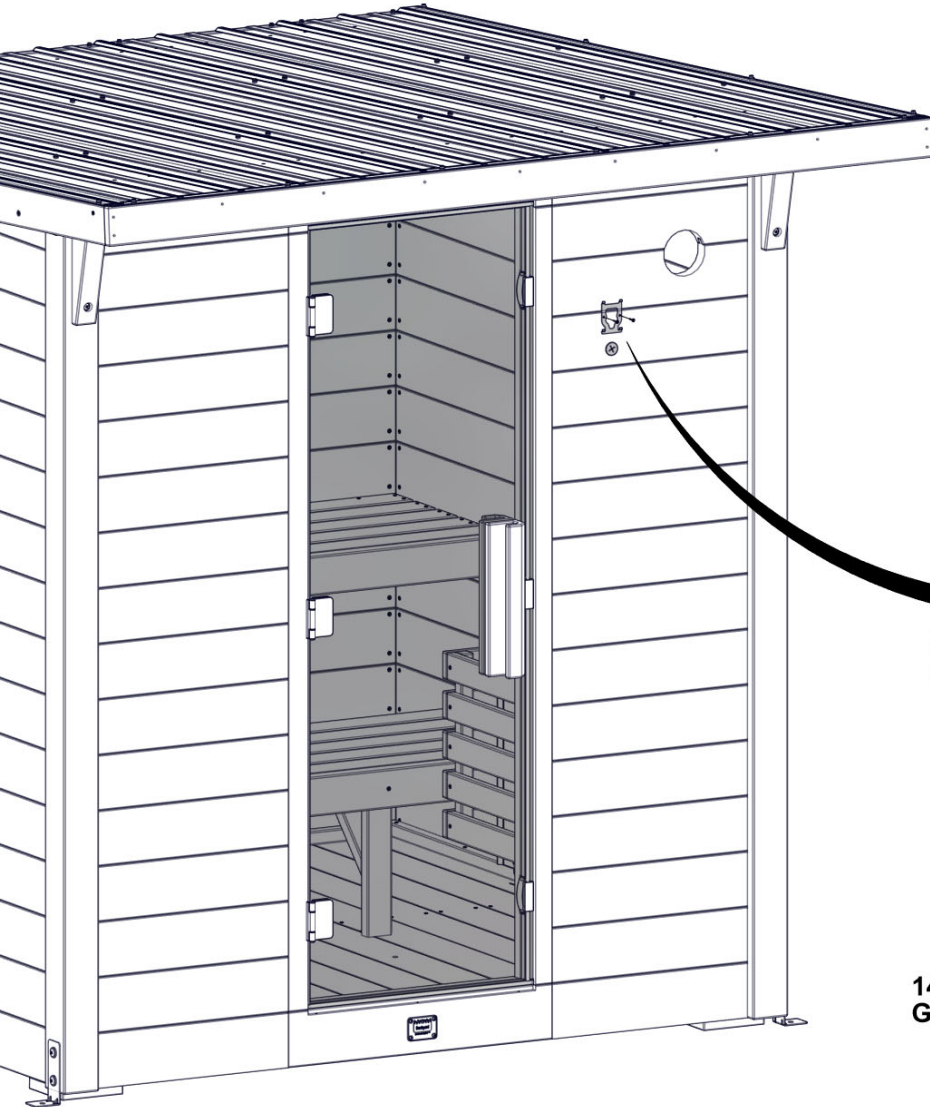


A4M05590-03 CONTROL PANEL MOUNTING BRACKET (x1)

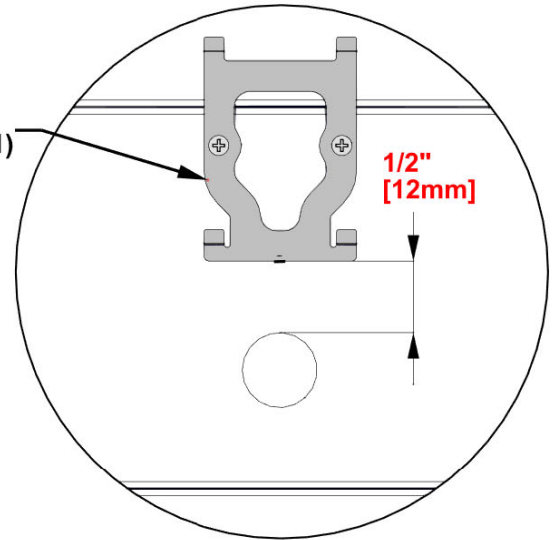


A6P001467 SILICONE GROMMET 25mm (x1)

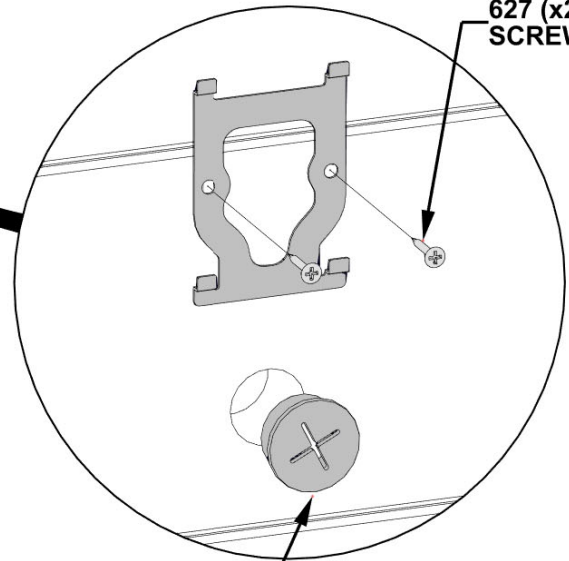
- CENTER MOUNTING BRACKET SLIGHTLY OVER CUTOUT IN WALL PANEL AND ATTACH AS SHOWN.
- INSERT GROMMET.



CONTROL PANEL MOUNTING BRACKET (x1)



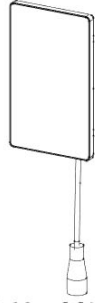
1/2" [12mm]



627 (x2) SCREW - 3/4"

1467 (x1) GROMMET - 25mm

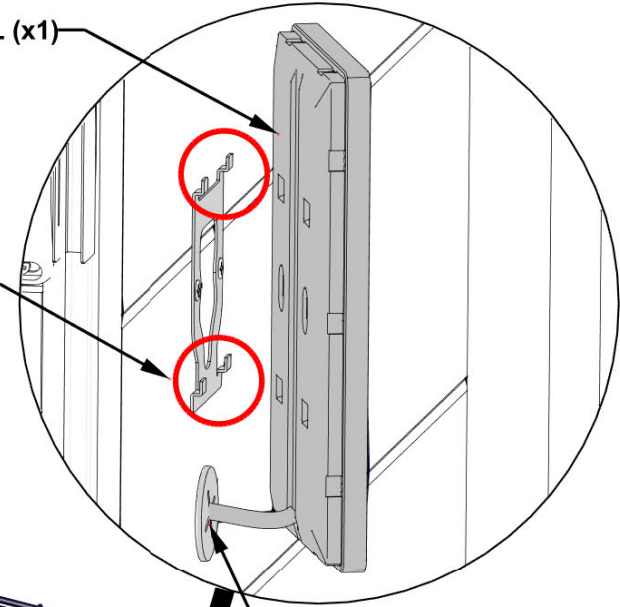
# STEP 60 - CONTROL PANEL INSTALLATION



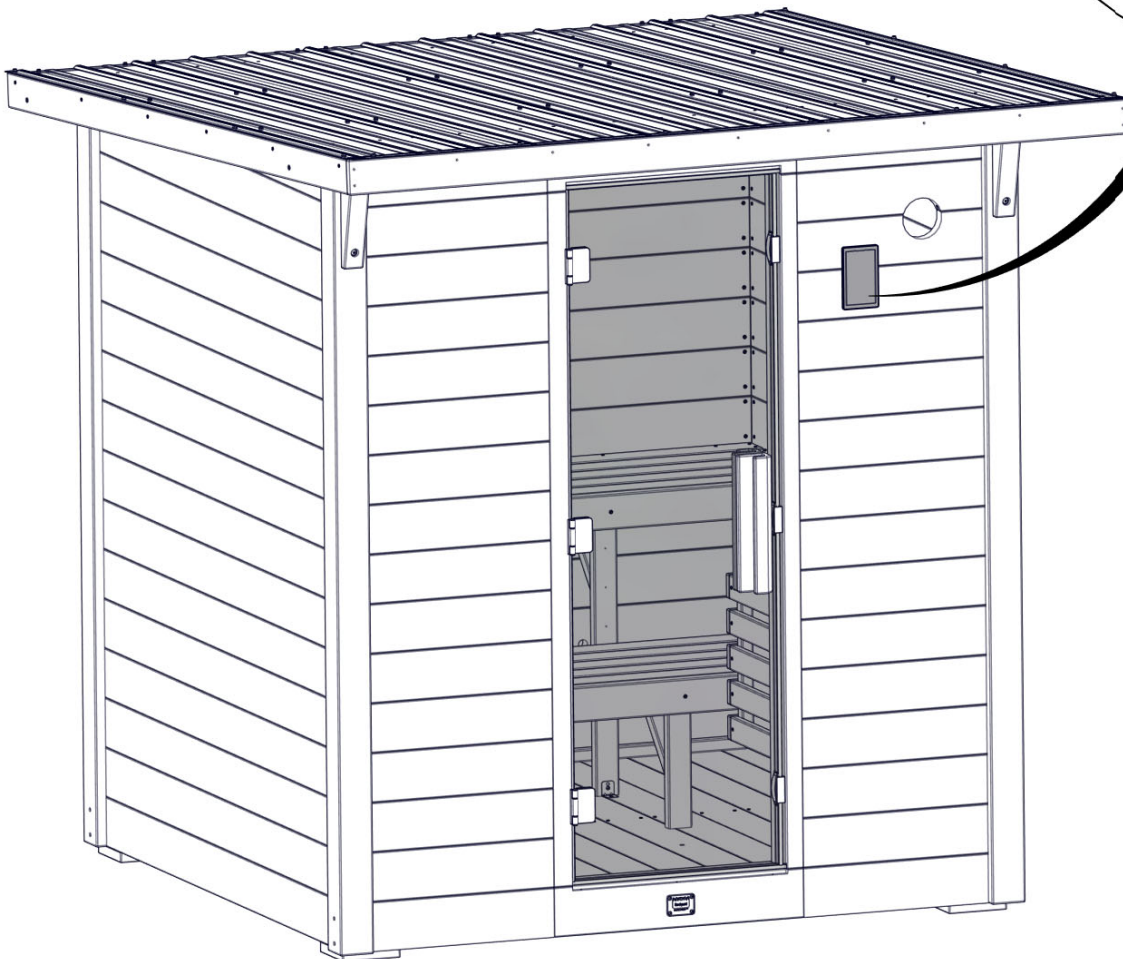
A4M05590-02 CONTROL PANEL  
(x)

CONTROL PANEL (x1)

HANG CONTROL PANEL ON  
HOOKS ON CONTROL PANEL  
BRACKET AND SNAP INTO  
PLACE

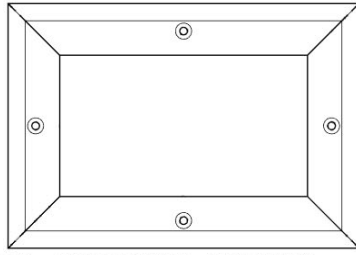


RUN CORD THROUGH  
GROMMET



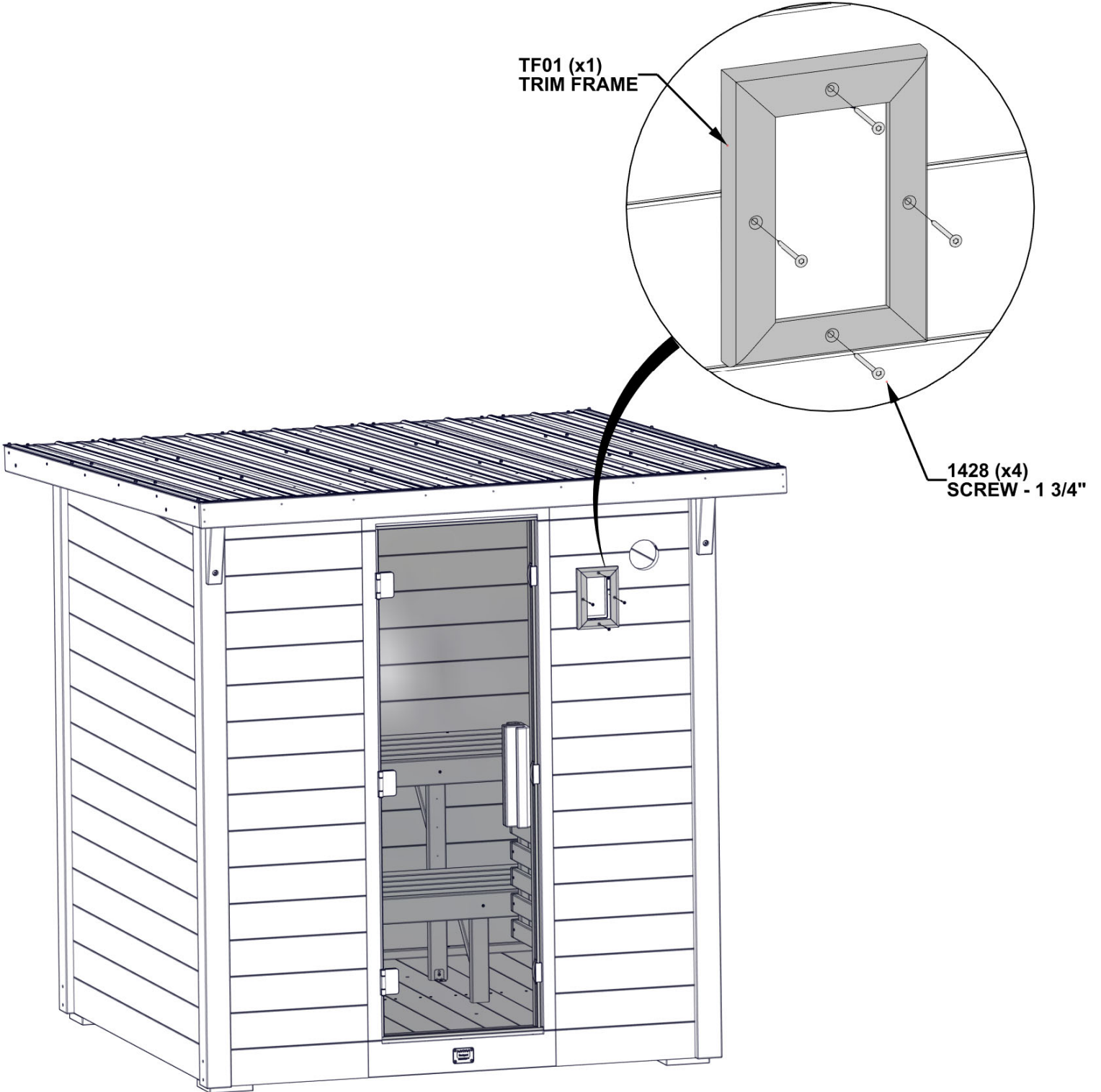
# STEP 61 - CONTROL PANEL

QTY	PART NUMBER	DESCRIPTION
4	H101428	SCREW TFH 8X1 3/4 SS-BLK



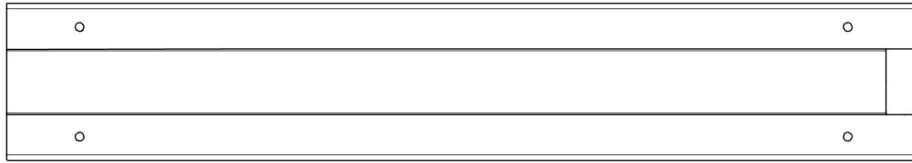
TF01 TRIM FRAME - W2A04797  
(x1) 7/8"x5 9/16"x8 1/16" (22x142x204)

- PLACE TRIM FRAME ON CONTROL PANEL ENSURING IT SEATS AROUND THE CONTROL PANEL AND ATTACH AS SHOWN.



# STEP 62 - WIREWAY ASSEMBLY

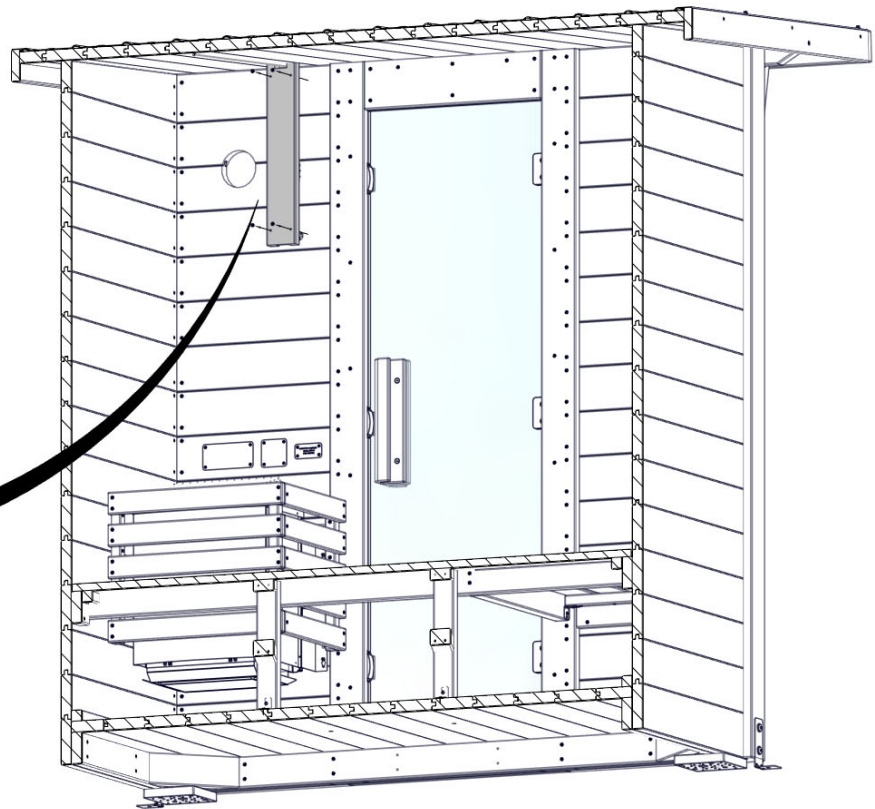
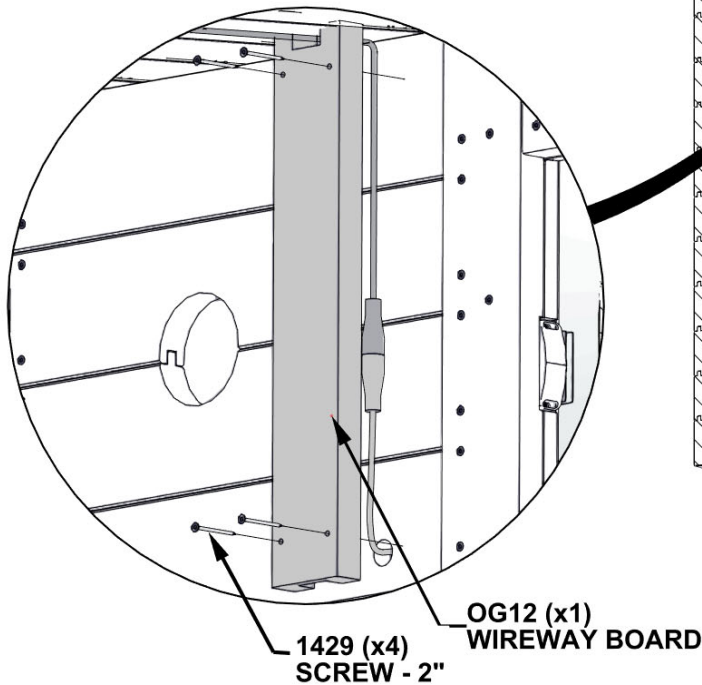
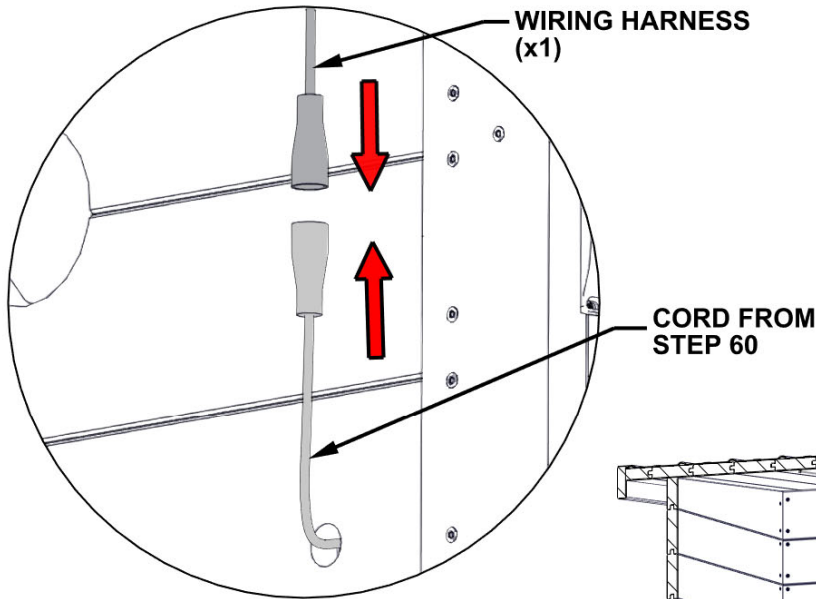
QTY	PART NUMBER	DESCRIPTION
4	H101429	SCREW TFH 8X2 SS-BLK



OG12 WIREWAY BOARD - W4L22389  
(x1) 1 3/16"x3 3/8"x19 3/4" (30x86x501)



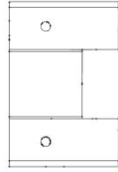
- CONNECT WIRING HARNESS TO CORD FROM STEP 5
- HOLD CONNECTED CORDS UP TO THE TOP OF THE SAUNA, CENTER WIREWAY BOARD OVER HOLE IN FRONT WALL, AND ATTACH BOARD AS SHOWN.
- TAKE CAUTION WHEN ATTACHING SCREWS TO PREVENT PINCHING OR PENETRATING CORDS.



BACK OF SAUNA HIDDEN FOR DETAIL

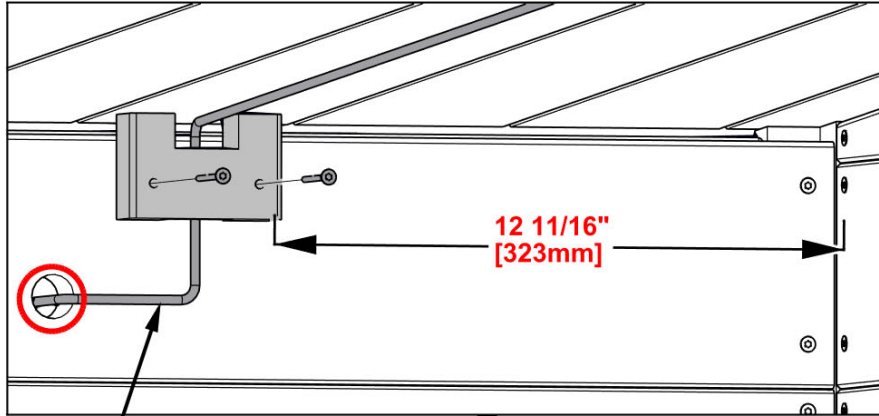
# STEP 63 - WIREWAY ASSEMBLY

QTY	PART NUMBER	DESCRIPTION
2	H101429	SCREW TFH 8X2 SS-BLK



OG11 WIREWAY BOARD - W4L22733  
(x1) 1 3/16"x2 1/4"x3 3/8" (30x57x86)

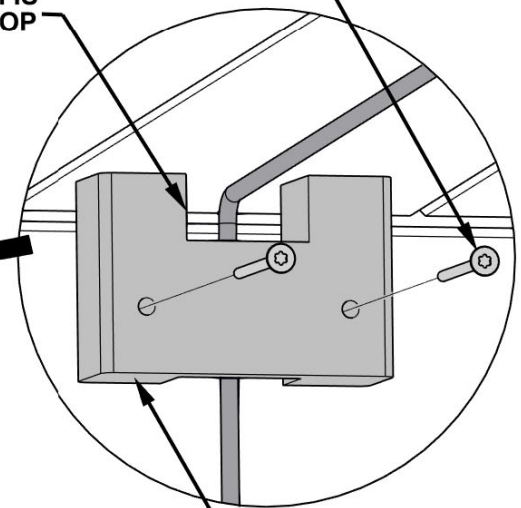
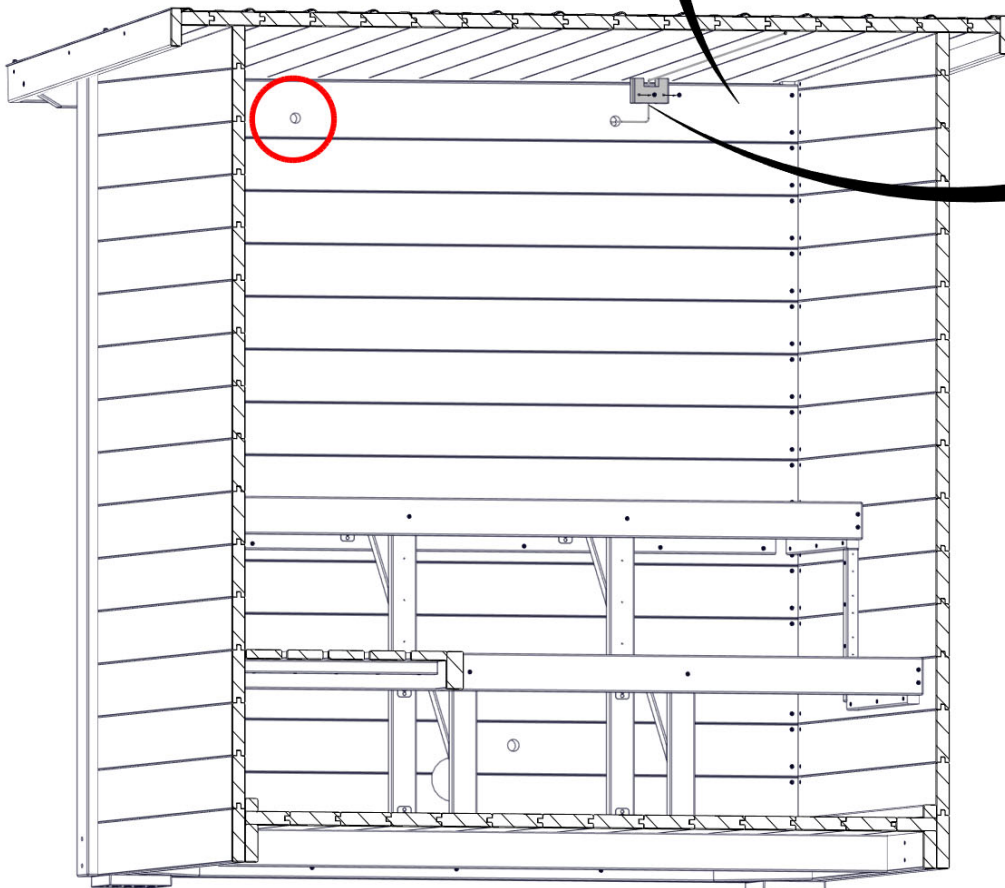
- RUN CORD FROM PREVIOUS STEP STRAIGHT BACK ALONG THE CEILING AND USE DIMENSION SHOWN TO LOCATE AND ATTACH OG11.
- RUN EXCESS CORD THROUGH HOLE IN BACK WALL AS SHOWN.



CORD FROM PREVIOUS STEP

ENSURE NOTCH IS ORIENTED TO TOP

1429 (x4)  
SCREW - 2"



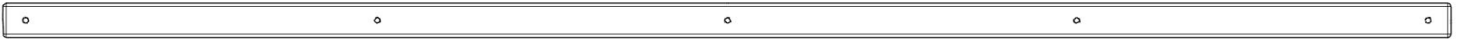
OG11 (x1)  
WIREWAY BOARD

FRONT OF SAUNA HIDDEN  
FOR DETAIL



# STEP 64 - TRIM ASSEMBLY

QTY	PART NUMBER	DESCRIPTION
8	H101429	SCREW TFH 8X2 SS-BLK

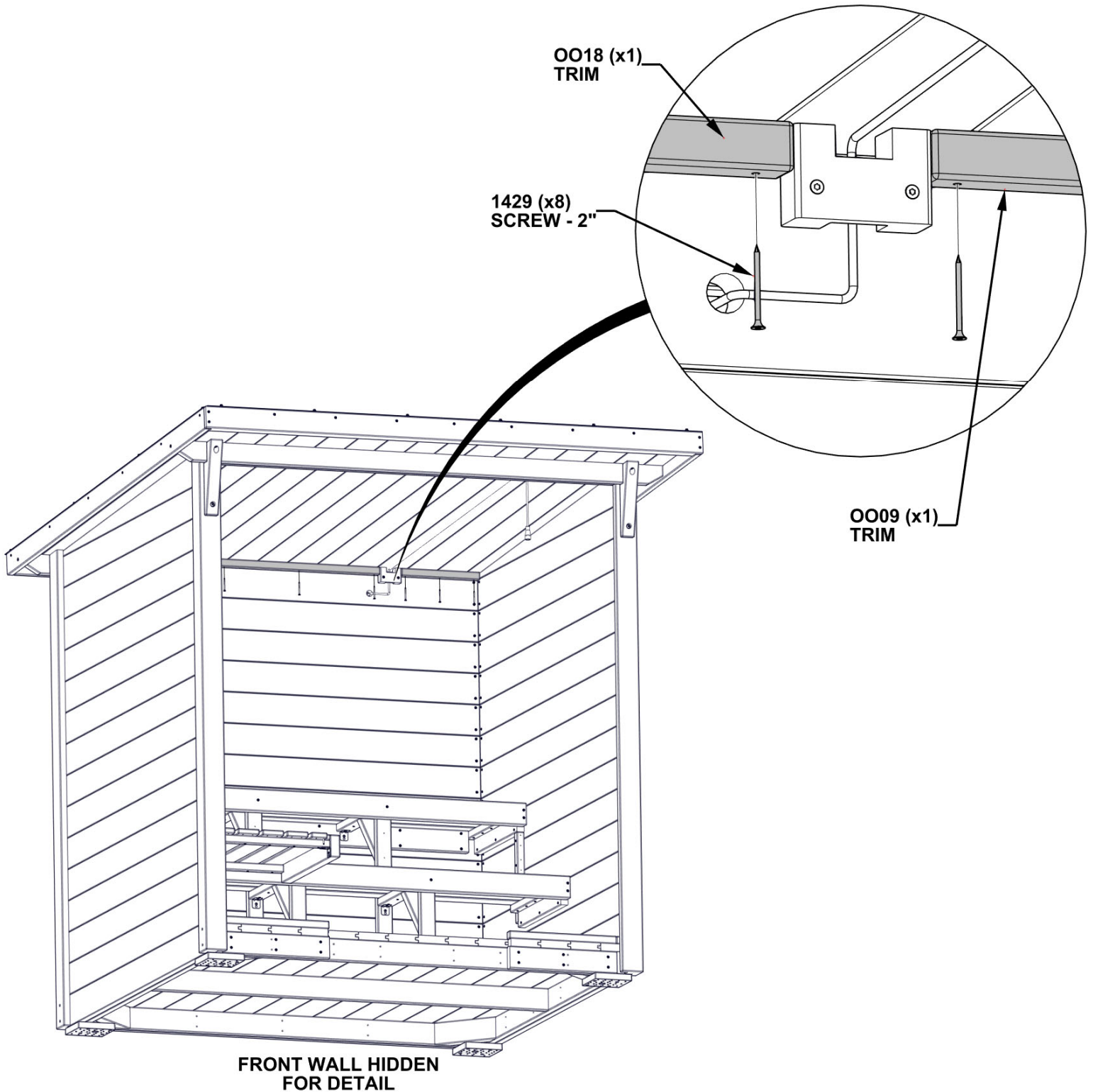


OO18 TRIM - W4L22731  
(x1) 1 3/16"x1 3/16"x49 13/16" (30x30x1266)



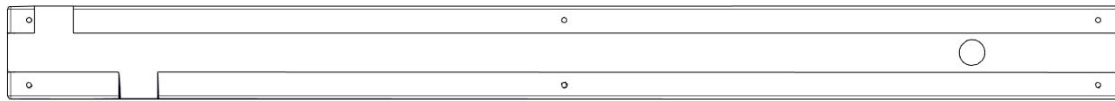
OO09 TRIM - W4L22496  
(x1) 1 3/16"x1 3/16"x12 5/8" (30x30x321)

- POSITION TRIM AGAINST WIREWAY BOARD AND CEILING AND ATTACH AS SHOWN.

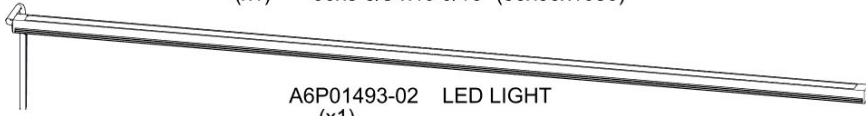


# STEP 65 - LIGHT ASSEMBLY

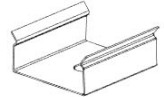
QTY	PART NUMBER	DESCRIPTION
2	H101437	SCREW TWH 8x5/8 SS-BLK



OG13 LIGHT MOUNT - W4L22494  
(x1) 30x3 3/8"x40 9/16" (30x86x1030)

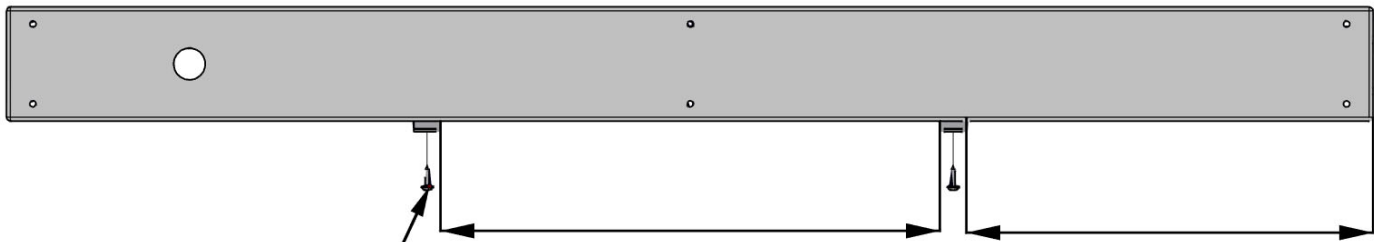


A6P01493-02 LED LIGHT  
(x1)

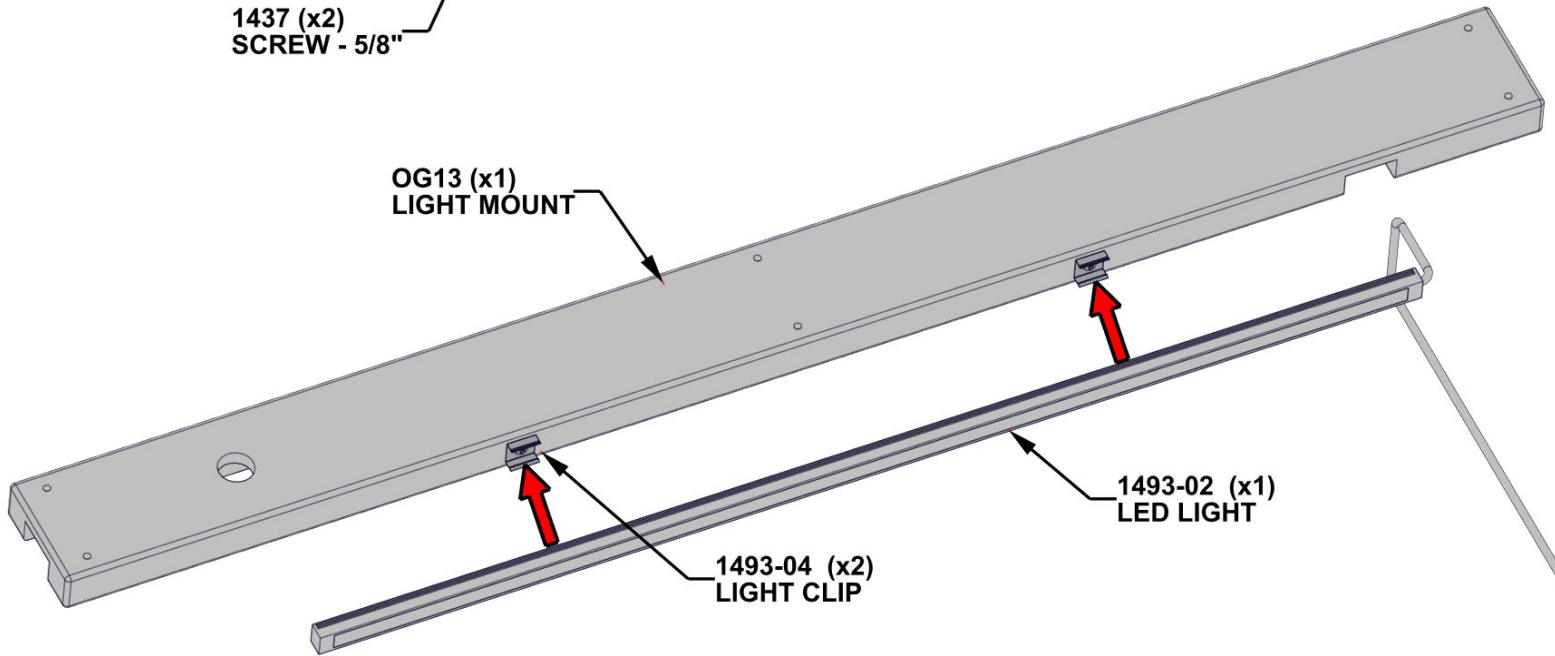


A6P01493-04 LIGHT CLIP  
(x2)

- ATTACH LIGHT CLIPS IN APPROXIMATE LOCATIONS SHOWN.
- USE DIMENSIONS TO LOCATE CLIPS.
- SNAP LED LIGHT INTO CLIPS.



1437 (x2)  
SCREW - 5/8"

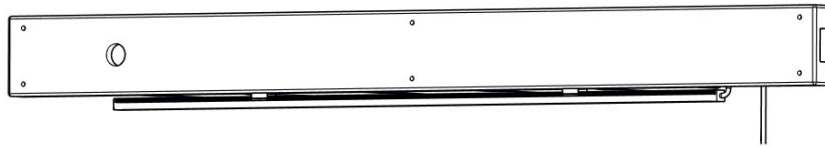


OG13 (x1)  
LIGHT MOUNT

1493-04 (x2)  
LIGHT CLIP

1493-02 (x1)  
LED LIGHT

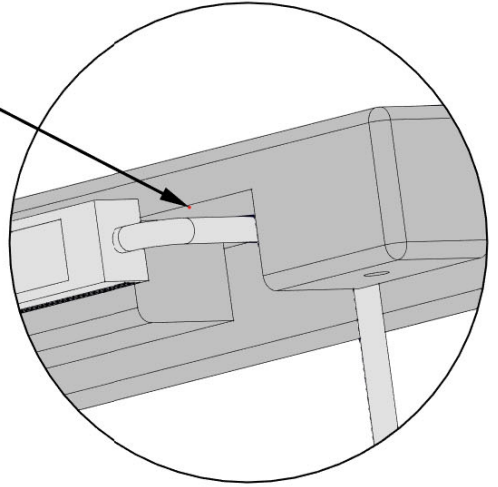
# STEP 66 - LIGHT ASSEMBLY



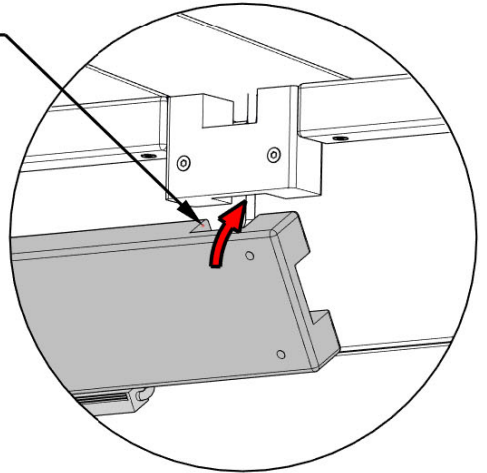
LED LIGHT MOUNT ASSEMBLY - STEP 64  
(x1)

- RUN WIRE FROM LED LIGHT THROUGH THE LED LIGHT MOUNT ASSEMBLY NOTCH LOCATED AT THE BOTTOM AND THROUGH THE HOLE IN THE BACK WALL.

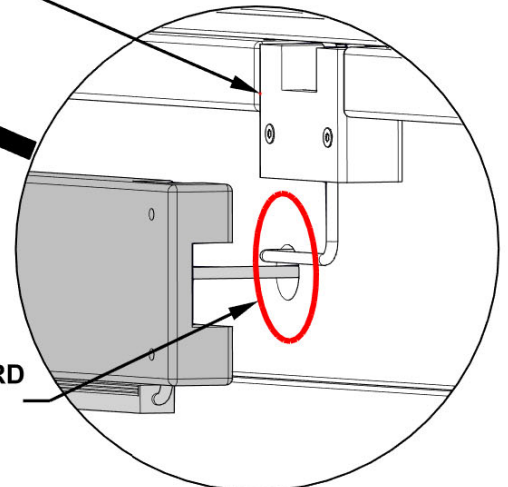
RUN CORD THROUGH NOTCH IN BOTTOM OF LED LIGHT MOUNT ASSEMBLY



ALIGN NOTCH IN LIGHT MOUNT ASSEMBLY WITH NOTCH ON PREVIOUSLY MOUNTED WIREWAY BOARD

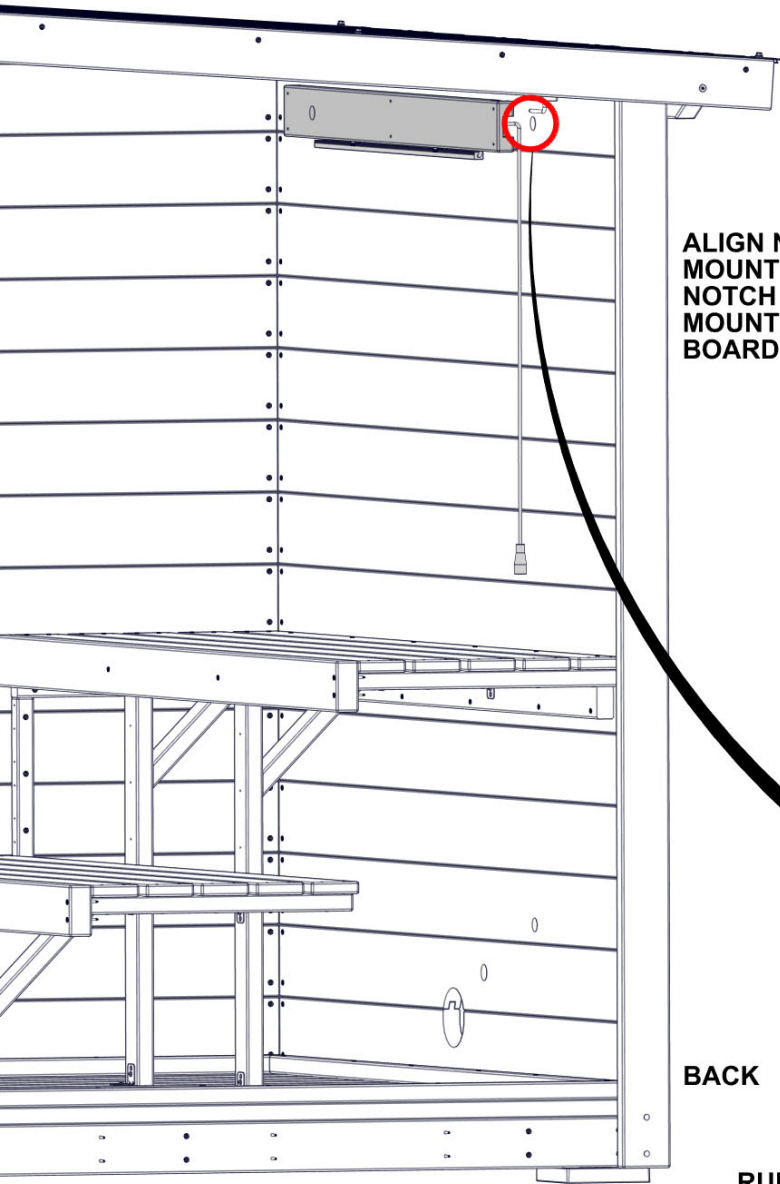


WIREWAY STEP 62



BACK

RUN LED LIGHT CORD THROUGH HOLE IN BACK WALL

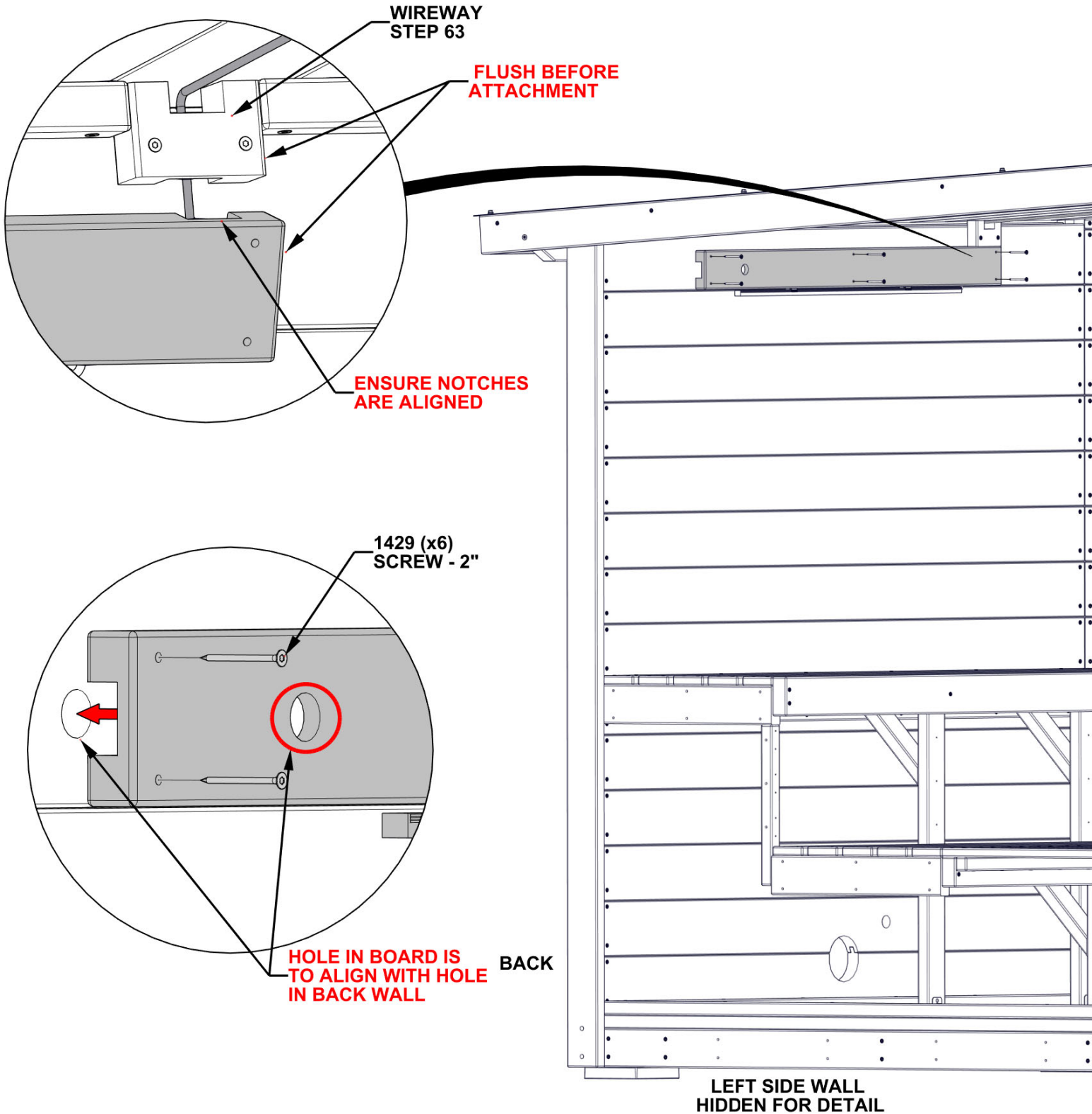


RIGHT SIDE WALL HIDDEN FOR DETAIL

# STEP 67 - LIGHT ASSEMBLY

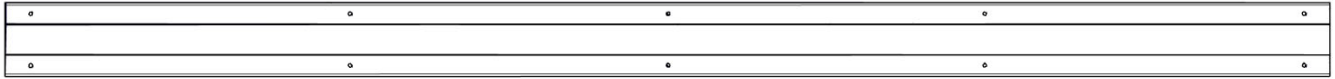
QTY	PART NUMBER	DESCRIPTION
6	H101429	SCREW TFH 8X2 SS-BLK

- ALIGN HOLE IN LED LIGHT MOUNT ASSEMBLY FROM STEP 65 TO THE HOLE PROVIDED IN THE WALL.
- ENSURE THE NOTCH IN THE LED LIGHT MOUNT ASSEMBLY ALIGNS WITH THE WIREWAY INSTALLED IN STEP 63.
- POSITION LED LIGHT MOUNT ASSEMBLY SO IT IS FLUSH WITH THE BOTTOM OF THE WIREWAY FROM STEP 63.
- CHECK THAT LED LIGHT MOUNT ASSEMBLY IS LEVEL AND ATTACH AS SHOWN.
- TAKE CAUTION WHEN ATTACHING SCREWS TO PREVENT PINCHING OR PENETRATING CORDS.



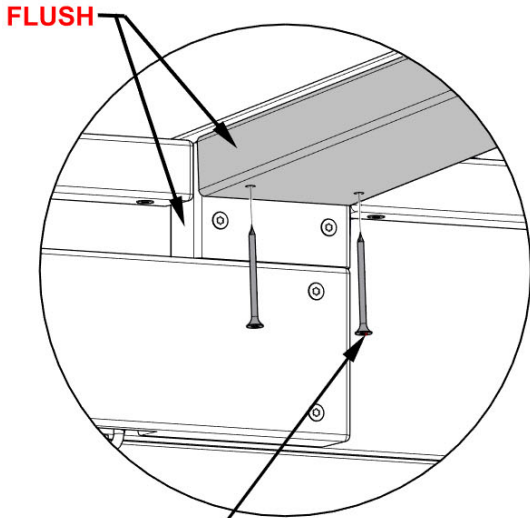
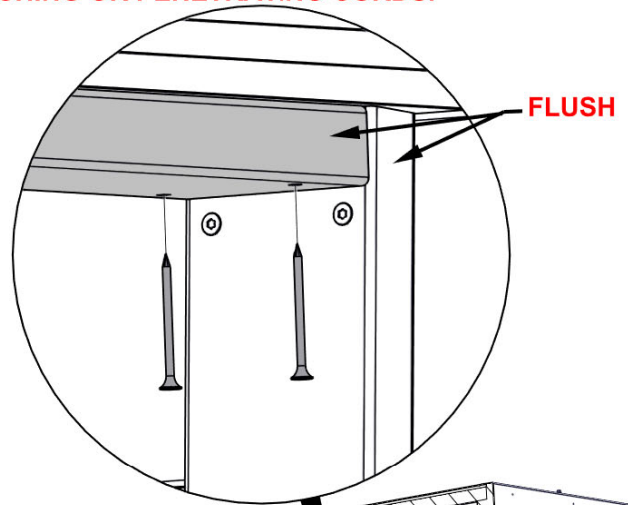
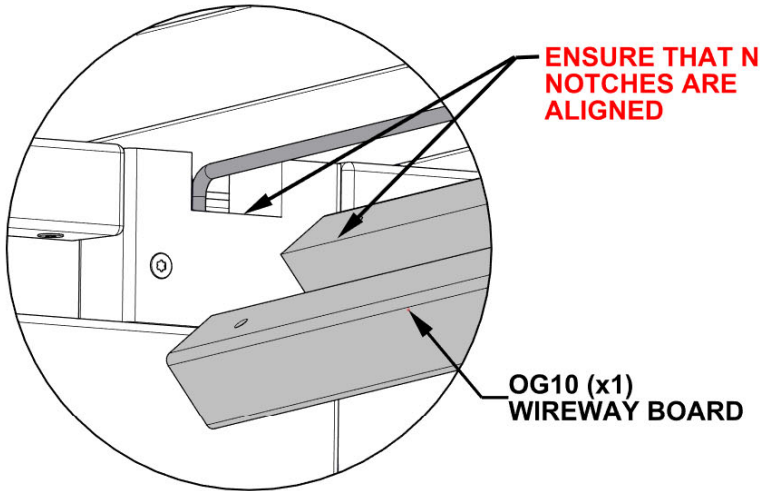
# STEP 68 - WIREWAY ASSEMBLY

QTY	PART NUMBER	DESCRIPTION
10	H101429	SCREW TFH 8X2 SS-BLK



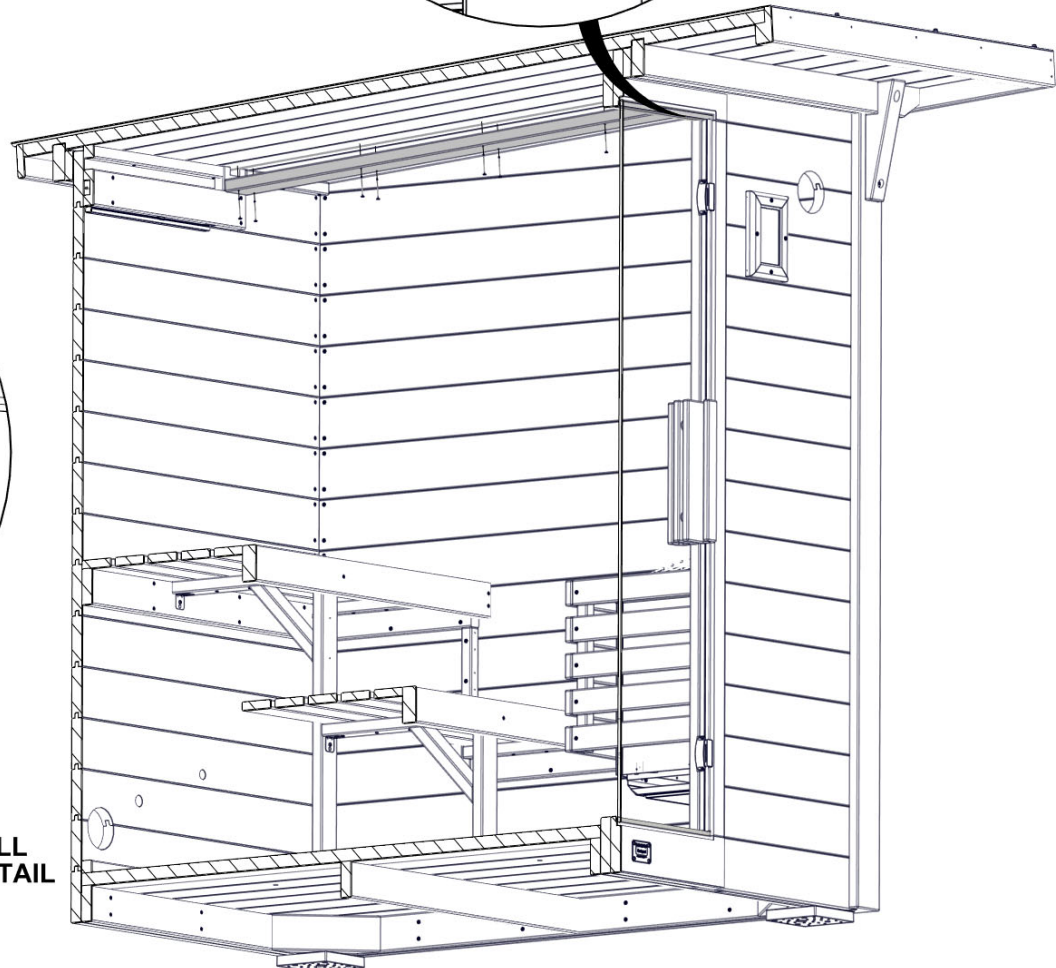
OG10 WIREWAY BOARD - W4L22387  
(x1) 1 3/16"x3 3/8"x60 3/4" (30x86x1543)

- ENSURE CORD RESTS IN GROOVE IN THE TOP OF THE WIREWAY BOARD AS BOARD IS PUT INTO POSITION.
- ALIGN WITH PREVIOUSLY INSTALLED WIREWAY BOARDS ON THE FRONT AND BACK WALLS.
- ATTACH AS SHOWN.
- TAKE CAUTION WHEN ATTACHING SCREWS TO PREVENT PINCHING OR PENETRATING CORDS.



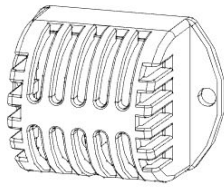
1429 (x10) SCREW - 2"

LEFT SIDE WALL HIDDEN FOR DETAIL

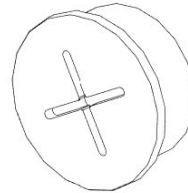


# STEP 69 - TEMPERATURE SENSOR

QTY	PART NUMBER	DESCRIPTION
2	H101440	SCREW TWH 8x1 SS-BLK



A4M05590-08 TEMPERATURE SENSOR  
(x1)

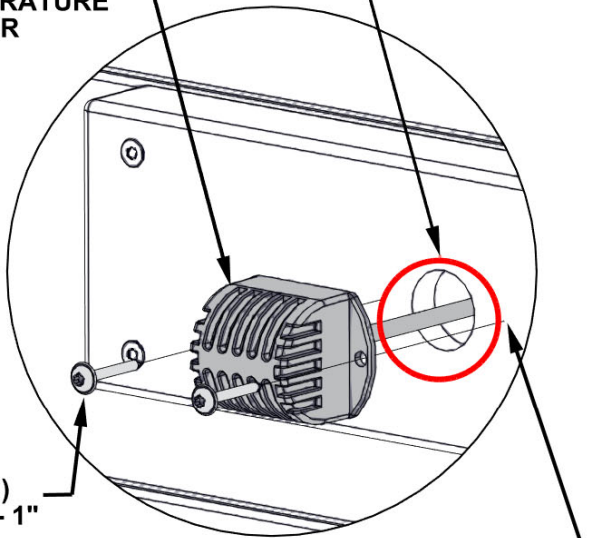


A6P01467 25mm SILICONE GROMMET  
(x1)

- RUN CORD FOR TEMPERATURE SENSOR THROUGH HOLE, AND CAREFULLY LET HANG UNTIL IT IS ATTACHED LATER.
- SLIDE GROMMET OVER CORDS AND INSERT INTO THE HOLE CUTOUT IN BACK WALL.

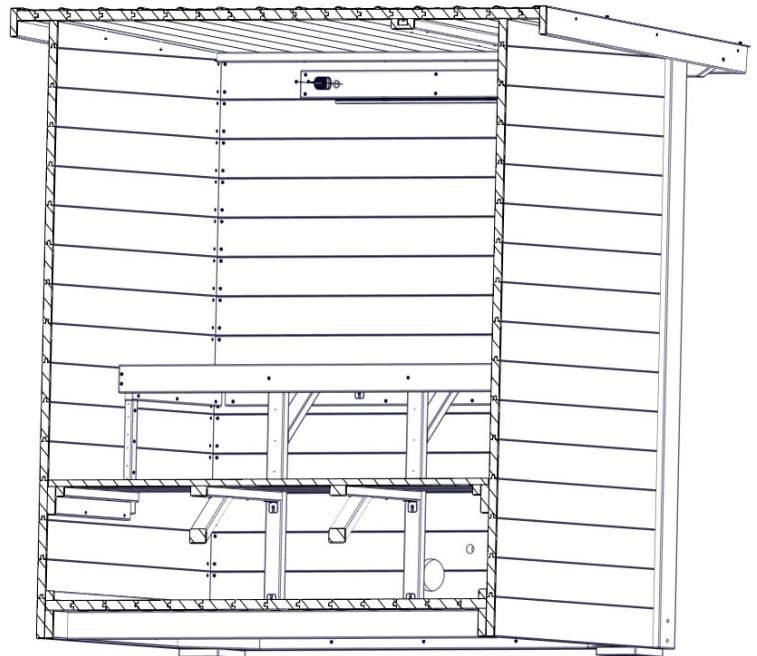
5590-08 (x1)  
TEMPERATURE  
SENSOR

RUN CORD THROUGH  
HOLE AND OUT OF THE  
BACK OF THE SAUNA

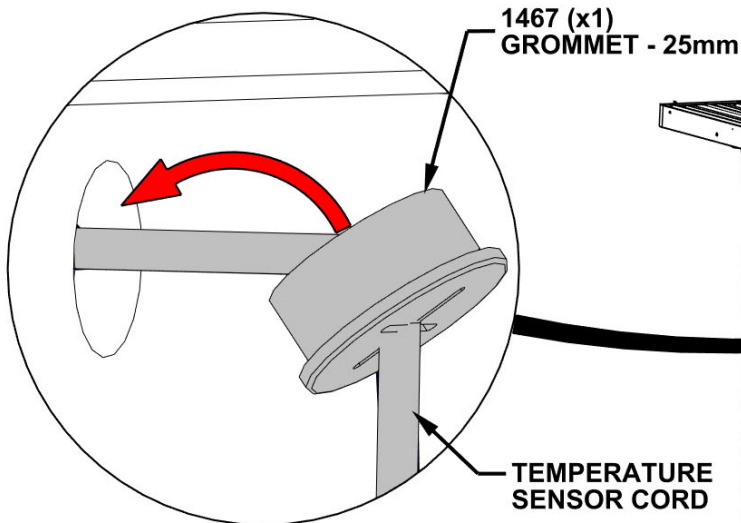


1440 (x2)  
SCREW - 1"

USE TEMPERATURE SENSOR AND  
MARK SCREW HOLE POSITIONS.  
PRE-DRILL USING 1/8" [3mm]  
DRILL BIT.

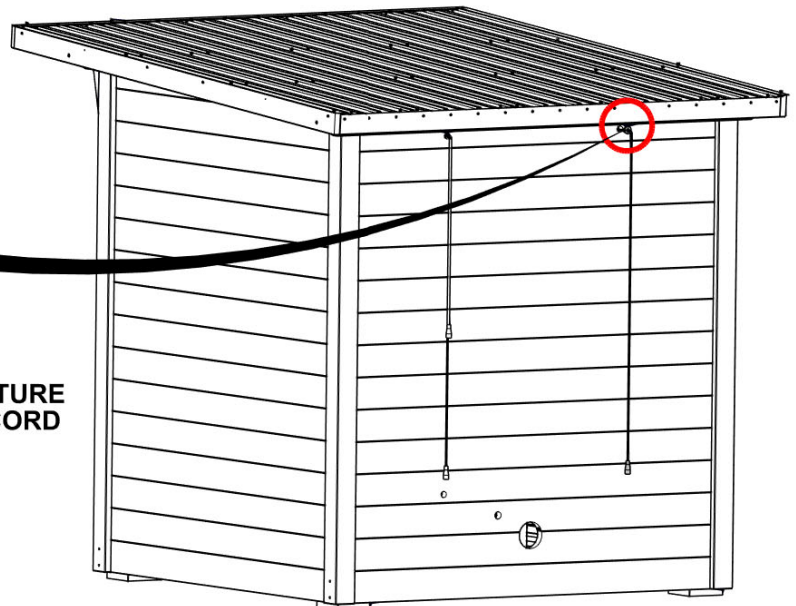


FRONT OF SAUNA HIDDEN  
FOR DETAIL



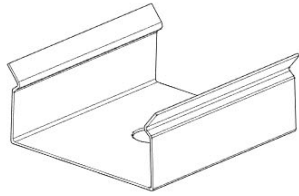
1467 (x1)  
GROMMET - 25mm

TEMPERATURE  
SENSOR CORD



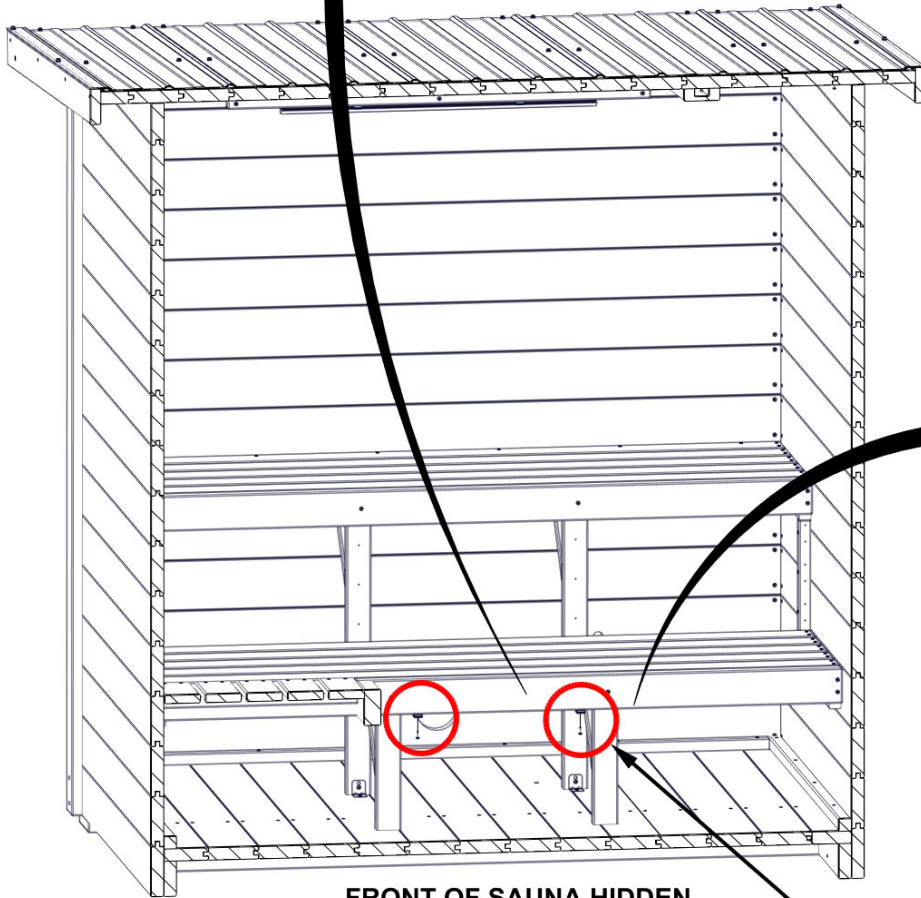
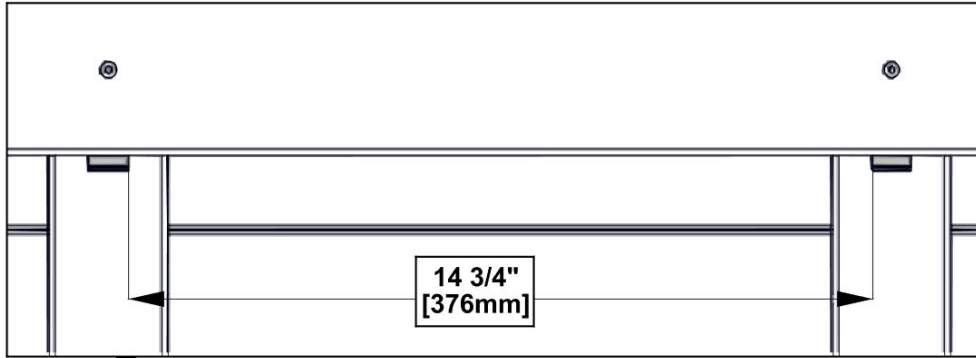
# STEP 70 - LIGHT ASSEMBLY

QTY	PART NUMBER	DESCRIPTION
2	H101437	SCREW TWH 8x5/8 SS-BLK

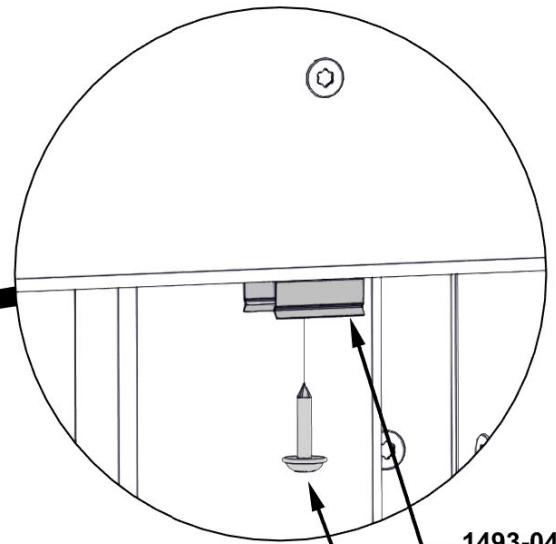


A6P01493-04 LIGHT CLIP  
(x2)

- ATTACH LIGHT CLIPS IN APPROXIMATE LOCATION SHOWN.
- USE DIMENSIONS GIVEN BETWEEN LIGHT CLIPS AND CENTER ON BOARDS.



FRONT OF SAUNA HIDDEN FOR DETAIL

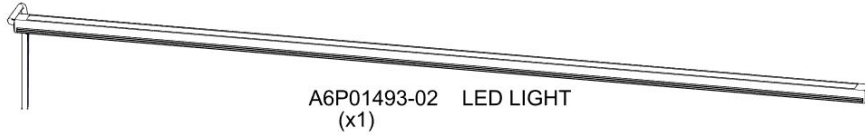


1493-04 (x2)  
LIGHT CLIP

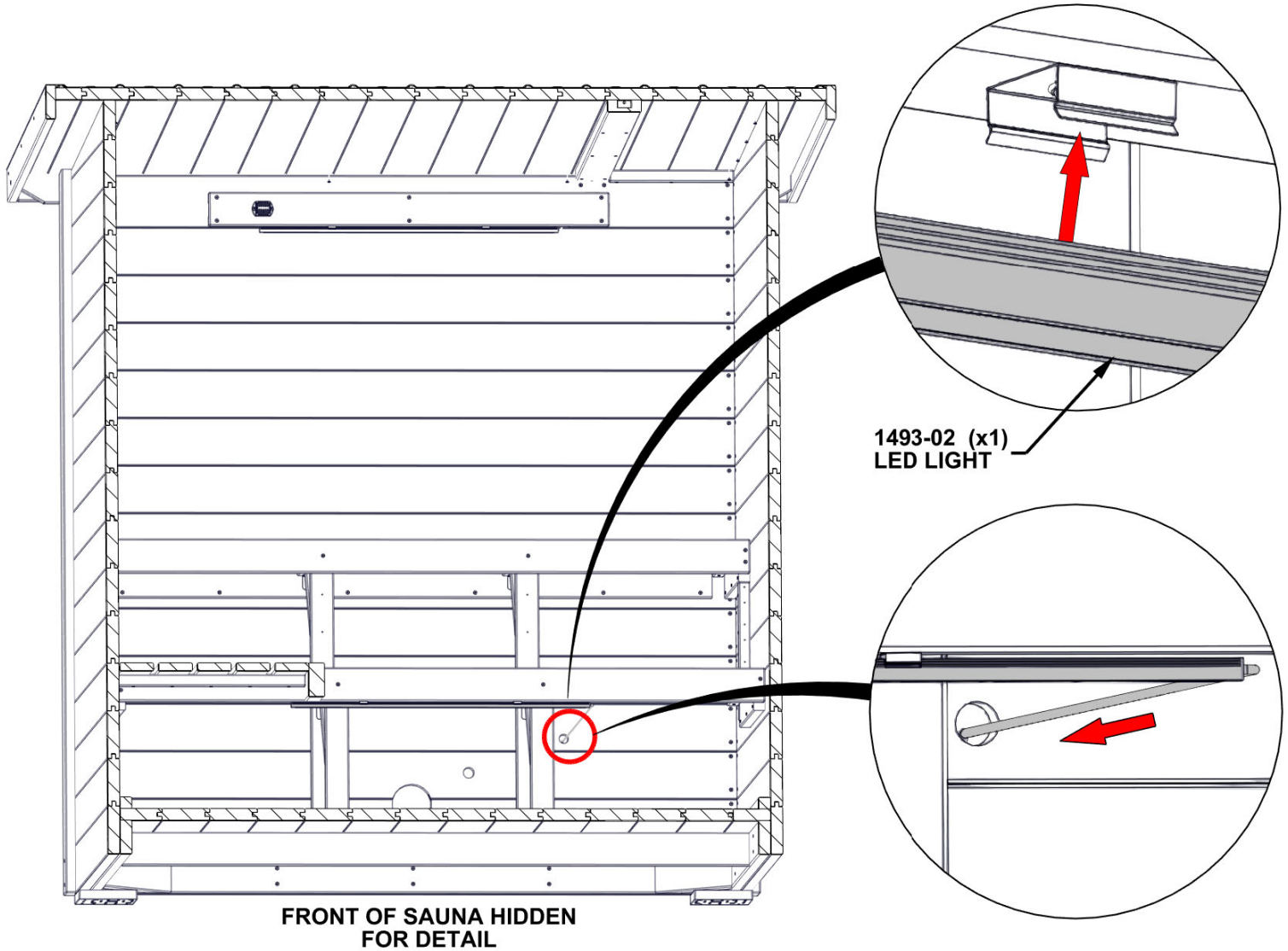
1437 (x2)  
SCREW - 5/8"

ATTACH LIGHT CLIPS TO  
BOTTOM OF BENCH TRIM

# STEP 71 - LIGHT ASSEMBLY



- BEFORE CLIPPING LIGHT INTO PLACE, RUN CORDS THROUGH HOLE IN BACK WALL.
- SNAP LED LIGHT INTO LIGHT CLIPS.





# STEP 72 - BENCH ASSEMBLY

QTY	PART NUMBER	DESCRIPTION
18	H101428	SCREW TFH 8X1 3/4 SS-BLK

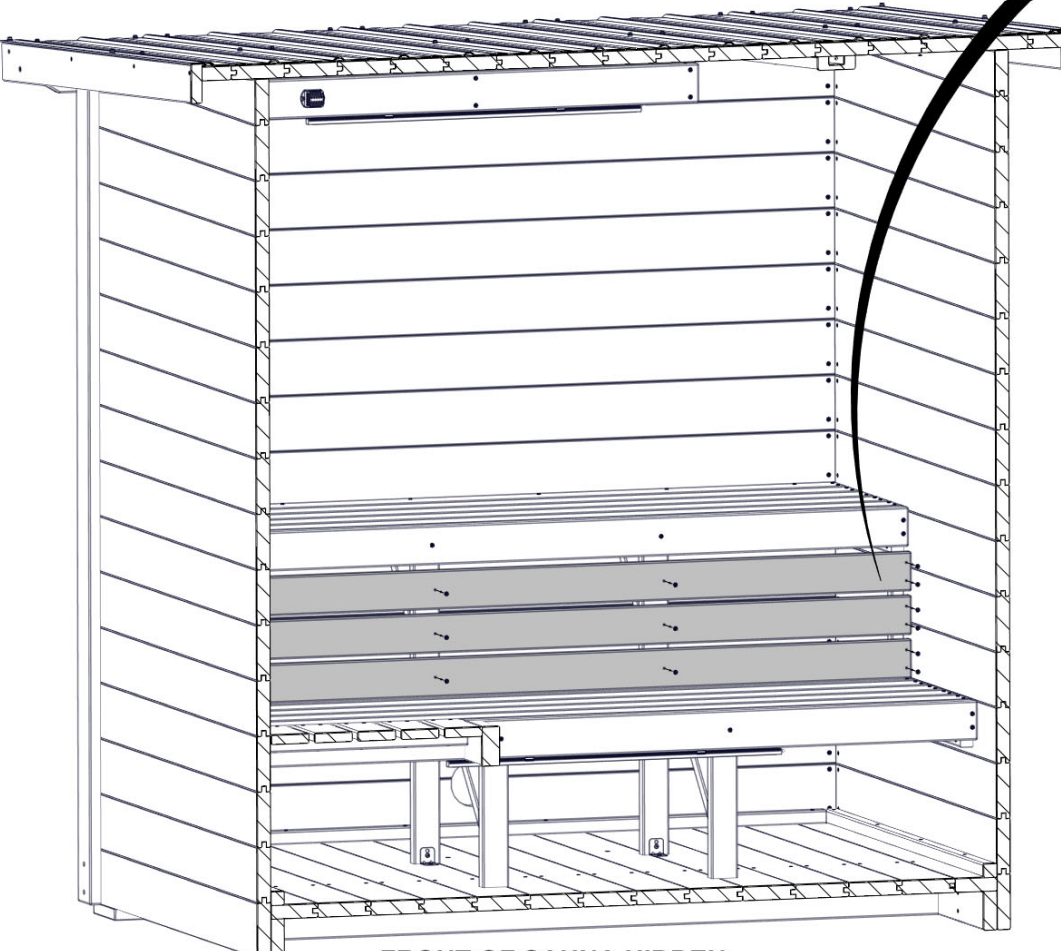
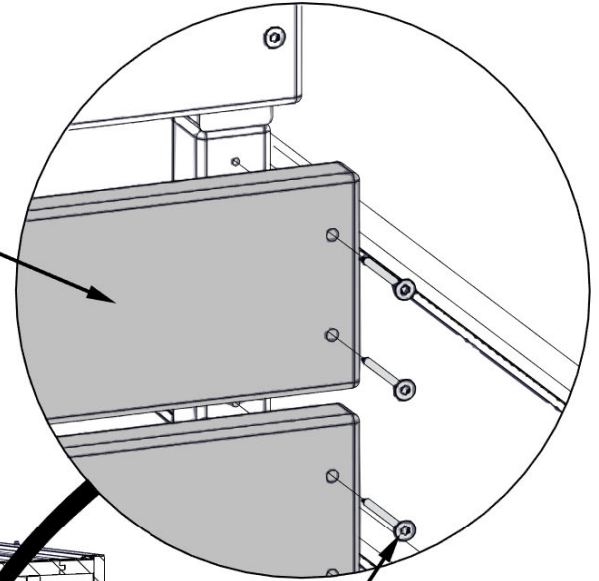


NG01 SLAT - W4L21949  
(x3) 13/16"x3 3/8"x65 3/4" (20x86x1670)

- ALIGN THROUGH HOLES IN SLATS WITH PILOT HOLES IN CLEATS AND UPRIGHTS.

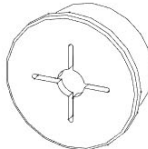
NG01 (x3)  
SLAT

1428 (x18)  
SCREW - 1 3/4"

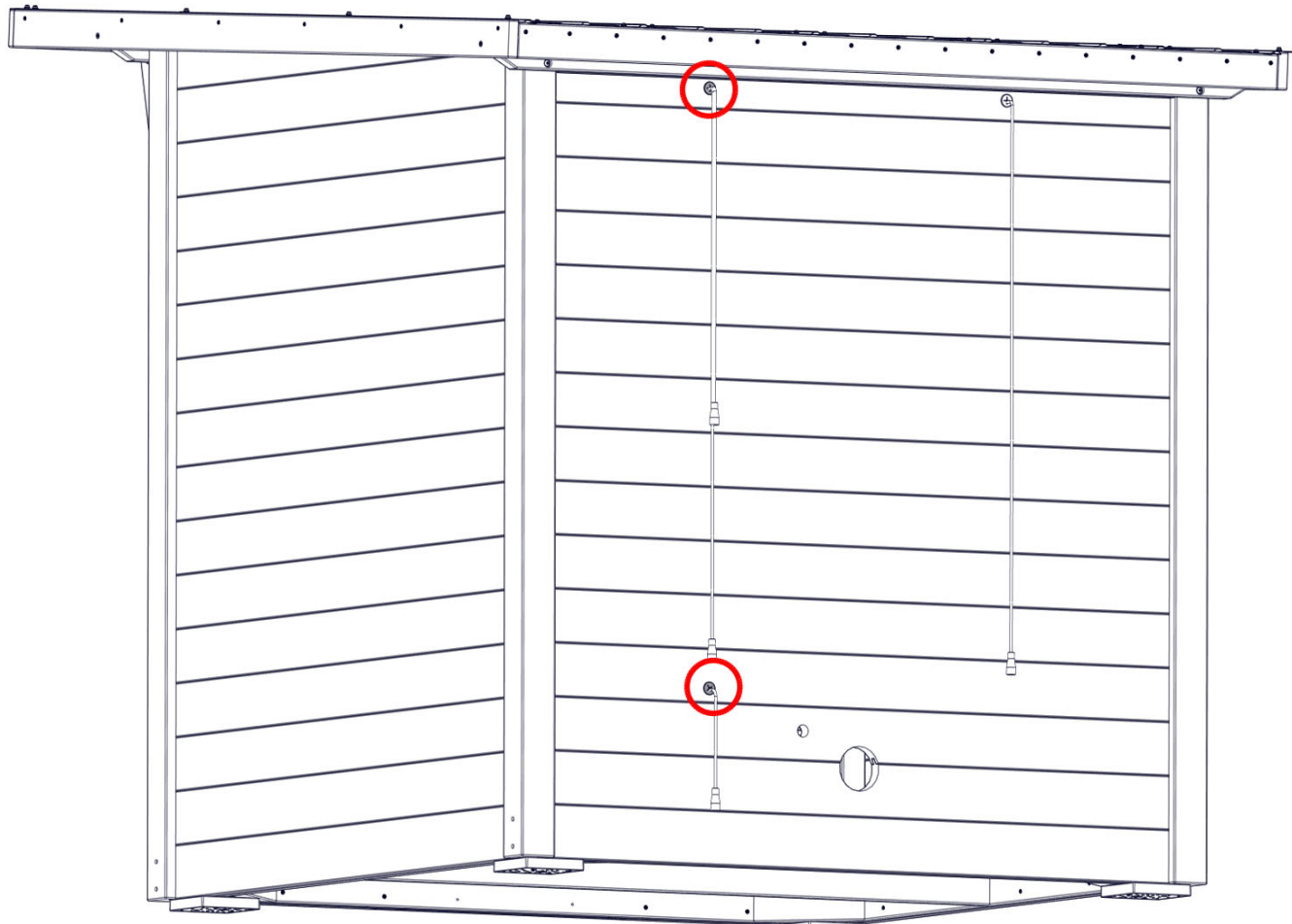
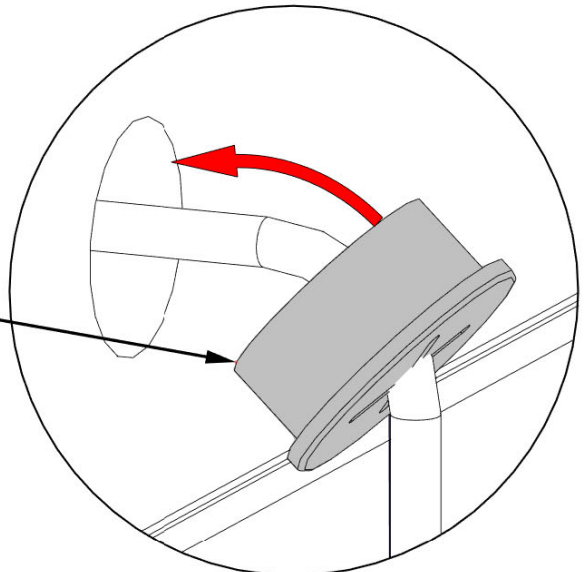


FRONT OF SAUNA HIDDEN  
FOR DETAIL

# STEP 73 - GROMMET INSTALLATION

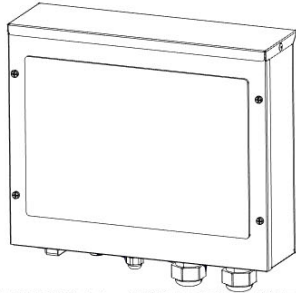


A6P01467 SILICONE GROMMET 25mm  
(x3)



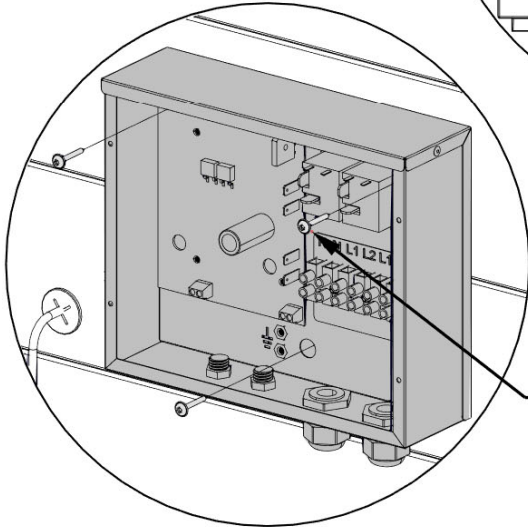
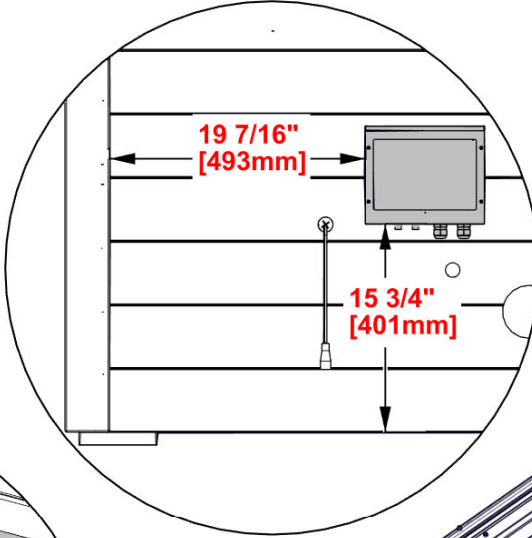
# STEP 74 - CONTROL PANEL

QTY	PART NUMBER	DESCRIPTION
3	H101440	SCREW TWH 8x1 SS-BLK



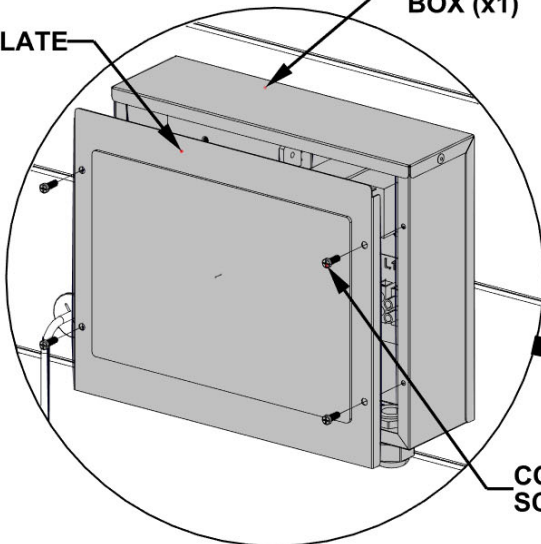
A4M05590-01 CONTROL PANEL BOX  
(x1)

- REMOVE COVER PLATE FROM CONTROL PANEL BOX.
- USE DIMENSIONS TO LOCATE CONTROL PANEL BOX AND ATTACH AS SHOWN.
- REATTACH COVER PLATE.



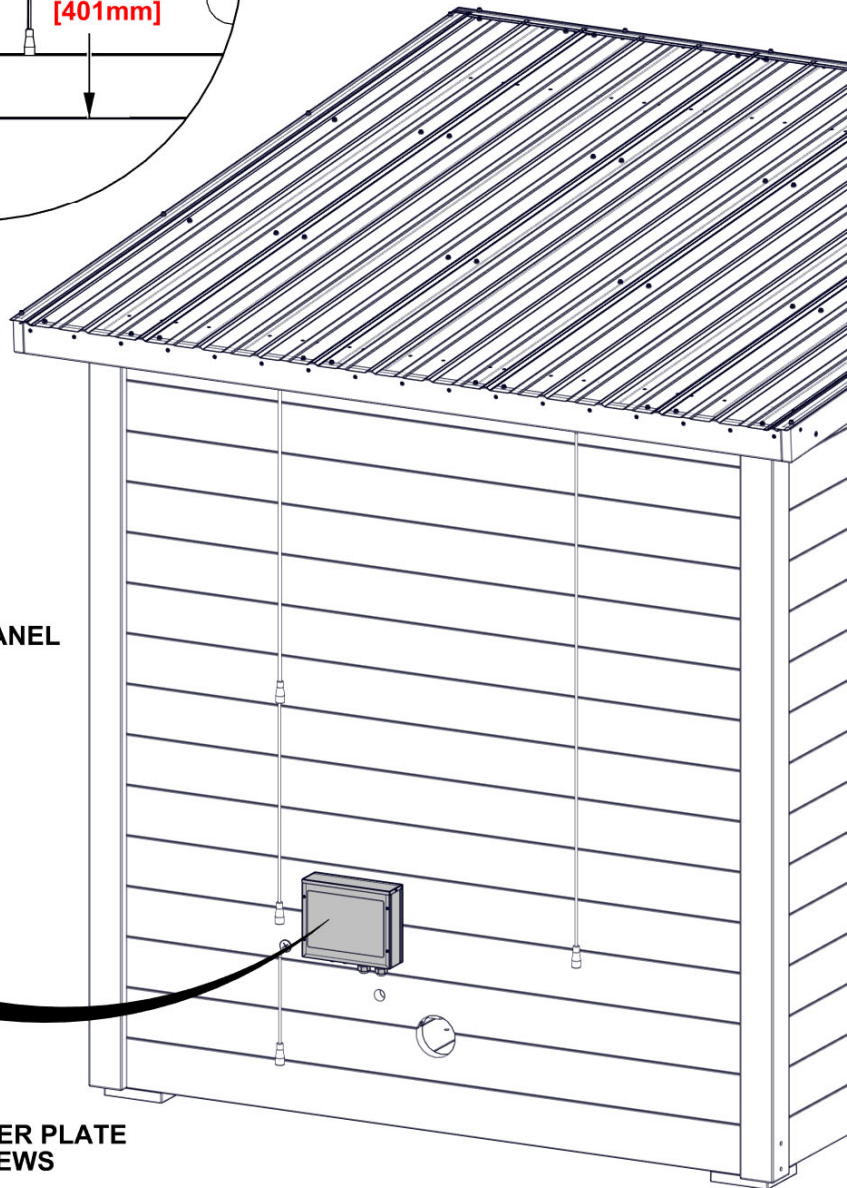
1440 (x3)  
SCREW - 1"

COVER PLATE



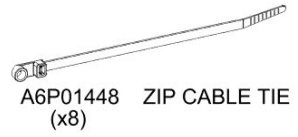
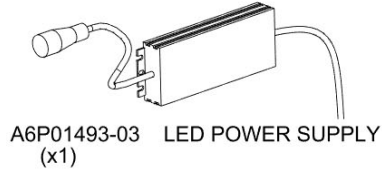
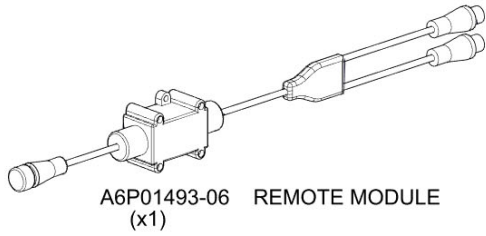
CONTROL PANEL  
BOX (x1)

COVER PLATE  
SCREWS

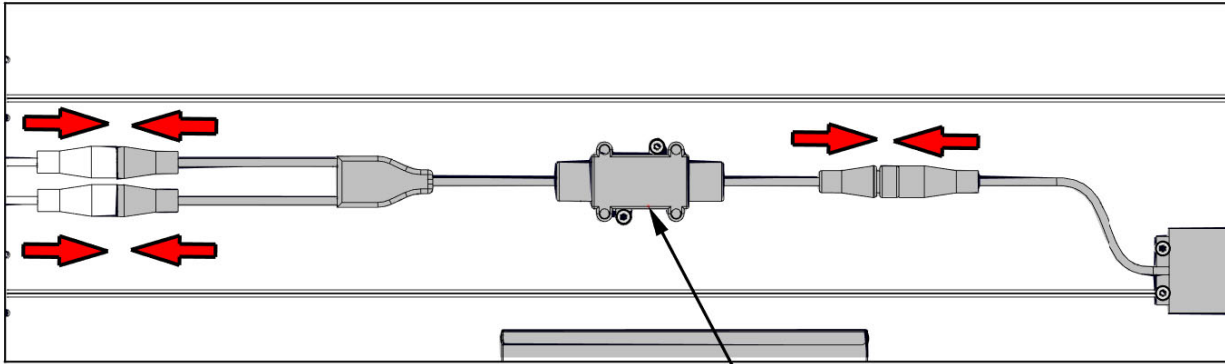


# STEP 75 - ELECTRICAL

QTY	PART NUMBER	DESCRIPTION
8	H101409	SCREW PPH 4x1/2 BLK
6	H101440	SCREW TWH 8x1 SS-BLK



- LOCATE REMOTE MODULE AND POWER SUPPLY IN THE APPROXIMATE LOCATIONS.
- ENSURE REMOTE MODULE AND POWER SUPPLY ARE ORIENTED HORIZONTALLY WHEN ATTACHING.
- USE ZIP TIES WHERE NEEDED TO ATTACH AND ORGANIZE CORDS.

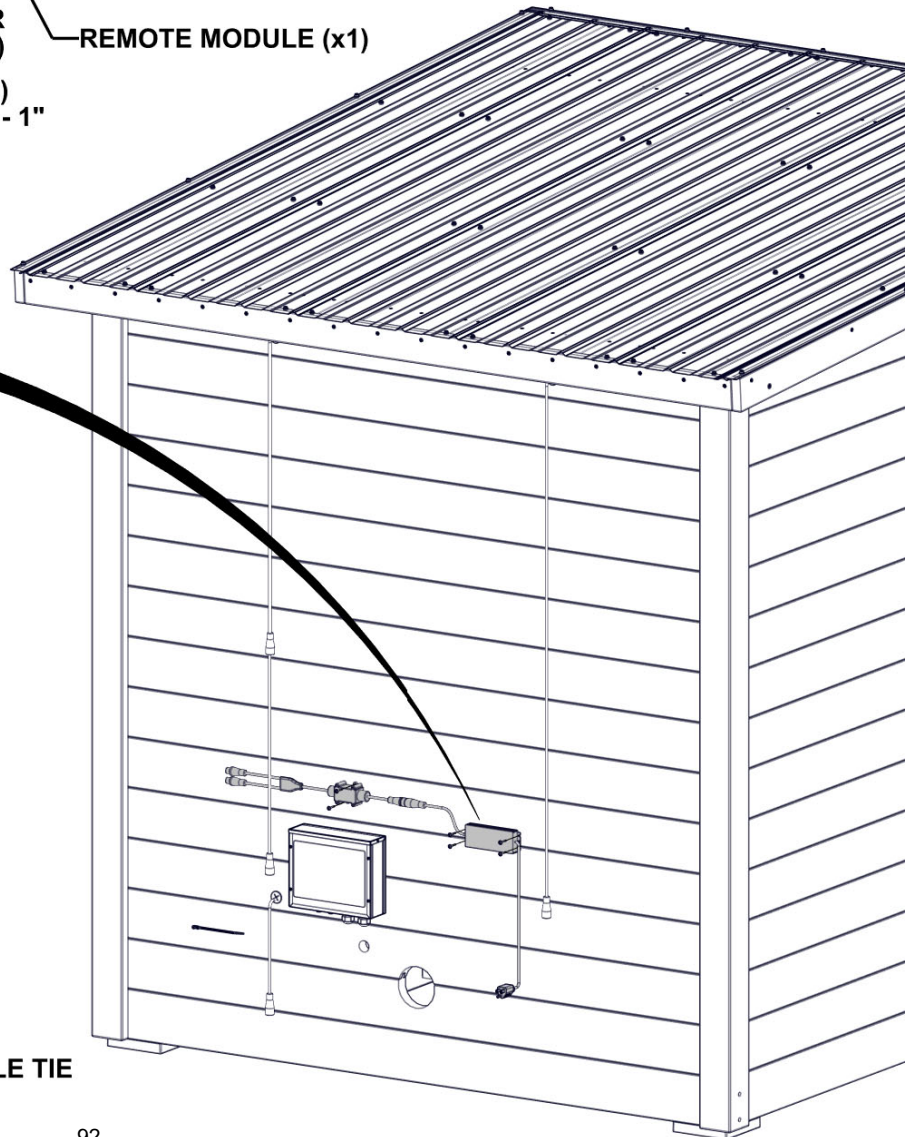


LED POWER SUPPLY (x1) REMOTE MODULE (x1)

1440 (x6) SCREW - 1"

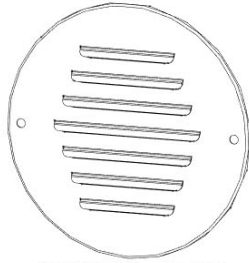
1409 (x8) SCREW - 1/2"

1448 (x8) ZIP CABLE TIE

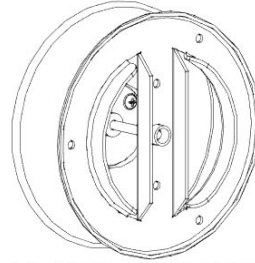


# STEP 76 - VENT ASSEMBLY

QTY	PART NUMBER	DESCRIPTION
3	H101424	SCREW TFH 8X1 SS-BLK
4	H101438	SCREW TWH 8x3/4 SS-BLK

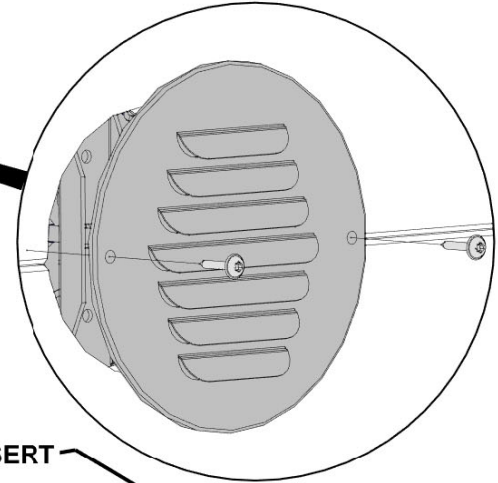
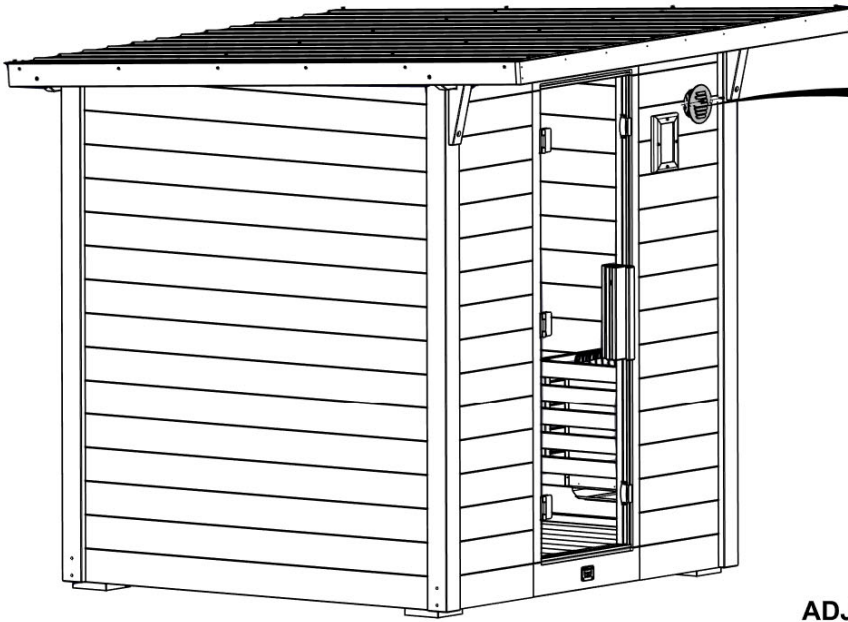


A4M05285 VENT  
(x2)



A4M05592 VENT COVER  
(x1)

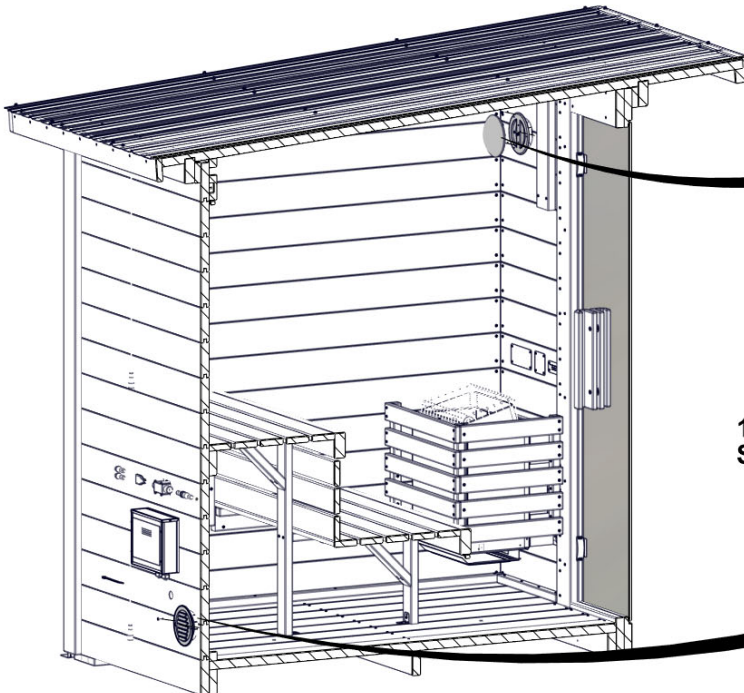
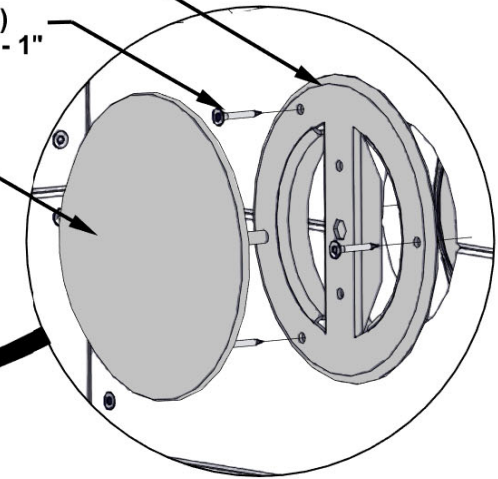
- BEFORE ATTACHING VENT COVER, UNSCREW ADJUSTABLE VENT COVER FROM VENT BASE INSERT.
- ONCE VENT BASE INSERT IS ATTACHED, SCREW ADJUSTABLE VENT COVER BACK IN.



5592 (x1)  
VENT INSERT  
BASE

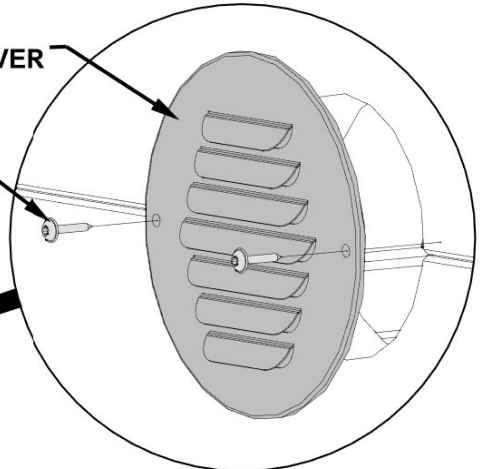
1424 (x3)  
SCREW - 1"

ADJUSTABLE  
VENT COVER



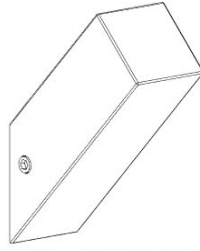
5285 (x2)  
VENT COVER

1438 (x4)  
SCREW - 3/4"



# STEP 77 - TOWEL HANGER

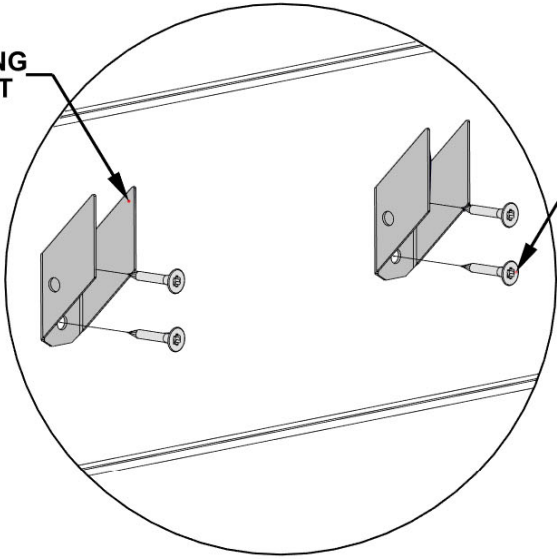
QTY	PART NUMBER	DESCRIPTION
4	H100885	SCREW TFH 8X7/8 BLK



A4M05672 TOWEL HANGER  
(x2)

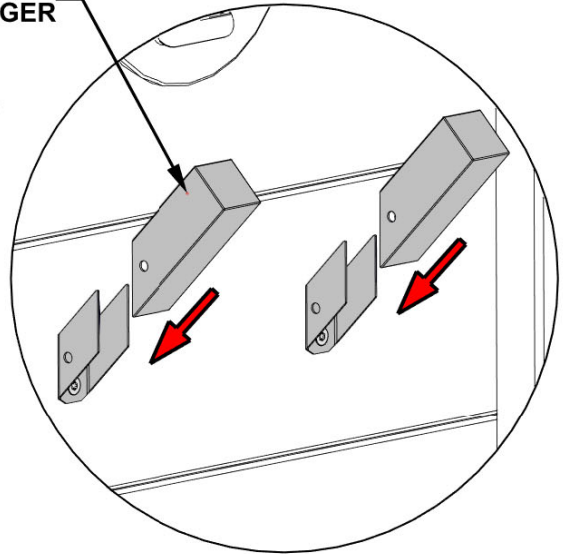
- INSTALL TOWEL HANGERS AT ANY DESIRE LOCATION ON THE RIGHT SIDE.
- HOWEVER, DO NOT INSTALL SCREWS AT THE SEAMS OF THE PANEL BOARDS.

5672 (x2)  
MOUNTING  
BRACKET

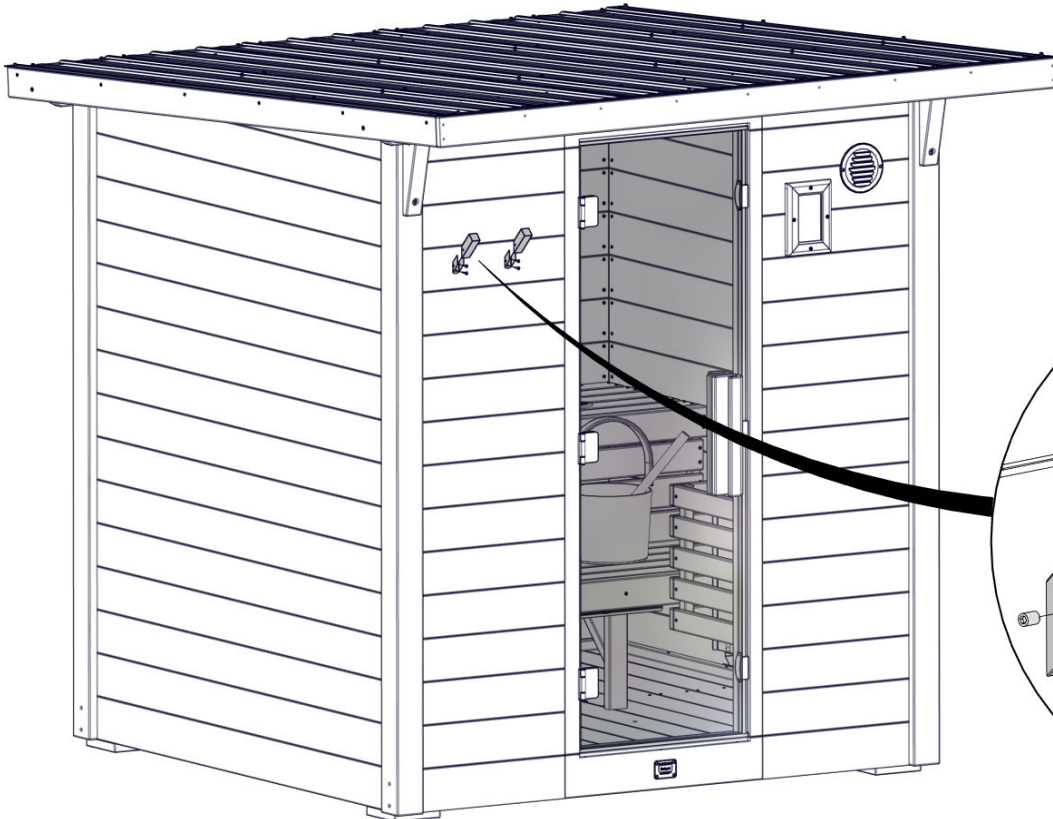
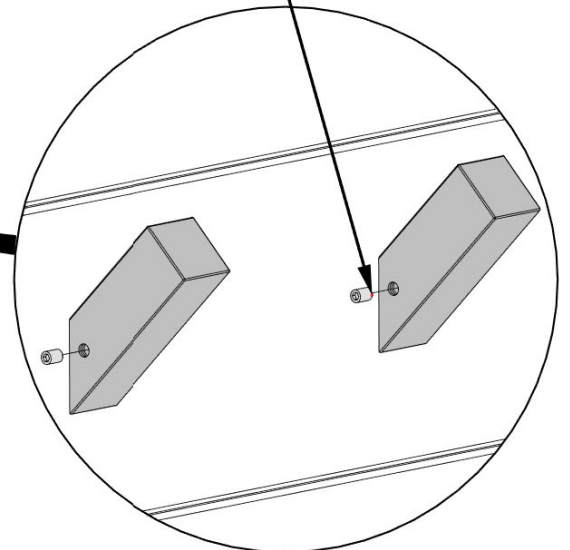


5672 (x2)  
TOWEL HANGER

885 (x4)  
SCREW - 7/8"

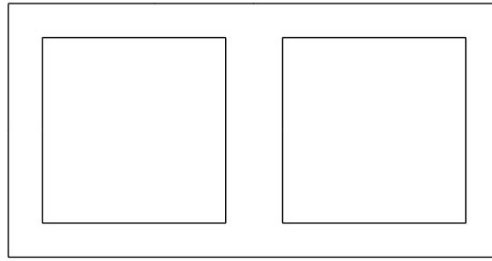


5672 (x2)  
SET SCREW



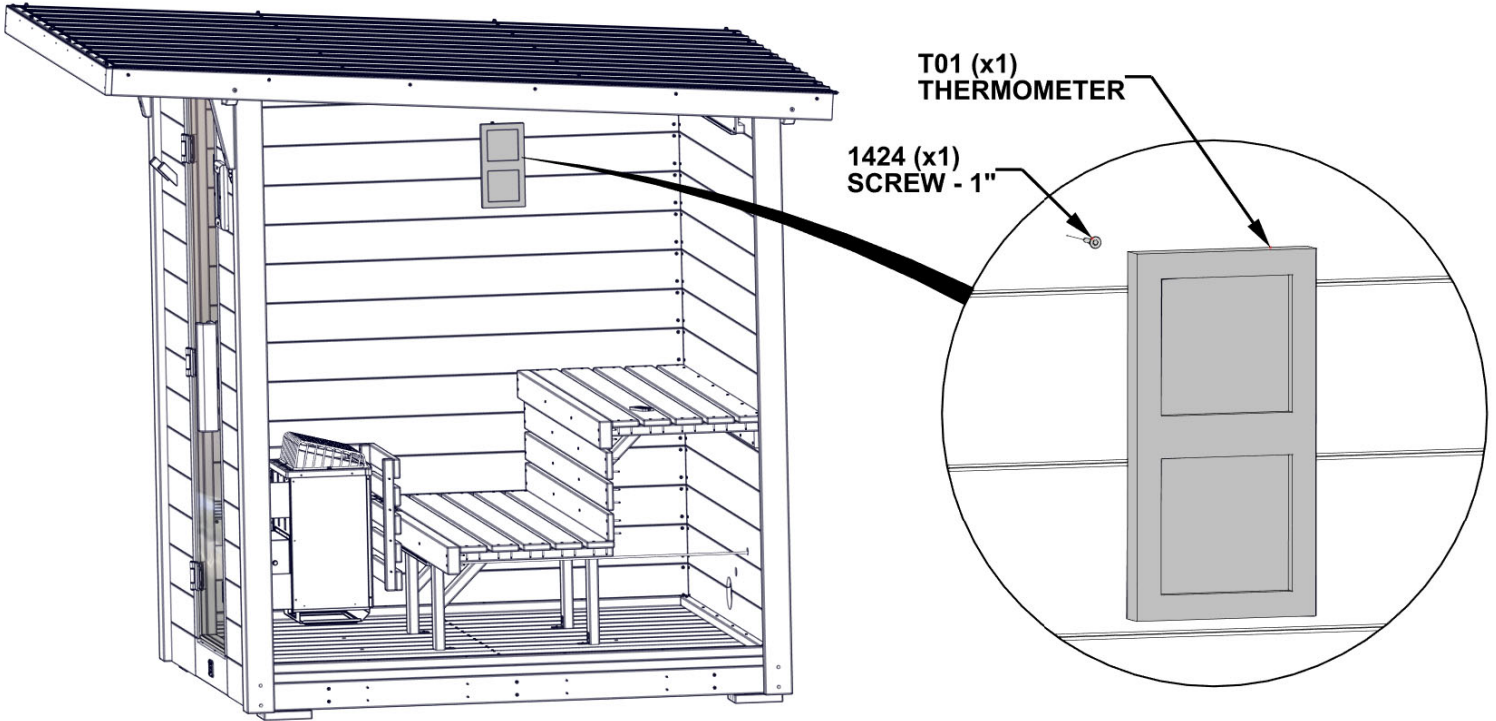
# STEP 78 - THERMOMETER INSTALLATION

QTY	PART NUMBER	DESCRIPTION
1	H101424	SCREW TFH 8X1 SS-BLK

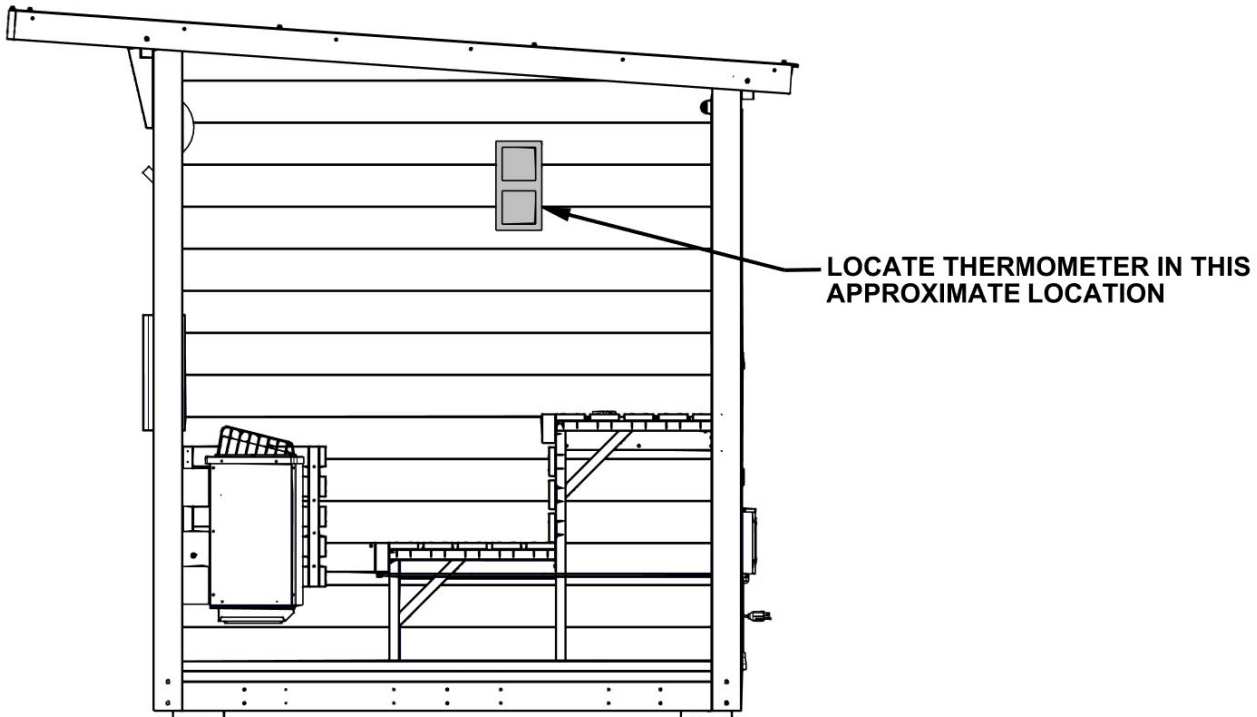


T01 THERMOMETER - W4L21965  
(x1)

- INSERT SCREW INTO SIDE WALL IN APPROXIMATE LOCATION SHOWN TO HANG THERMOMETER.



RIGHT SIDE HIDDEN  
FOR DETAIL

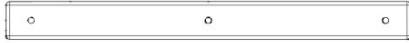


# STEP 79 - TRIM ASSEMBLY

QTY	PART NUMBER	DESCRIPTION
8	H101429	SCREW TFH 8X2 SS-BLK



OO08 TRIM - W4L22495  
(x1) 1 3/16"x1 3/16"x18 7/16" (30x30x469)

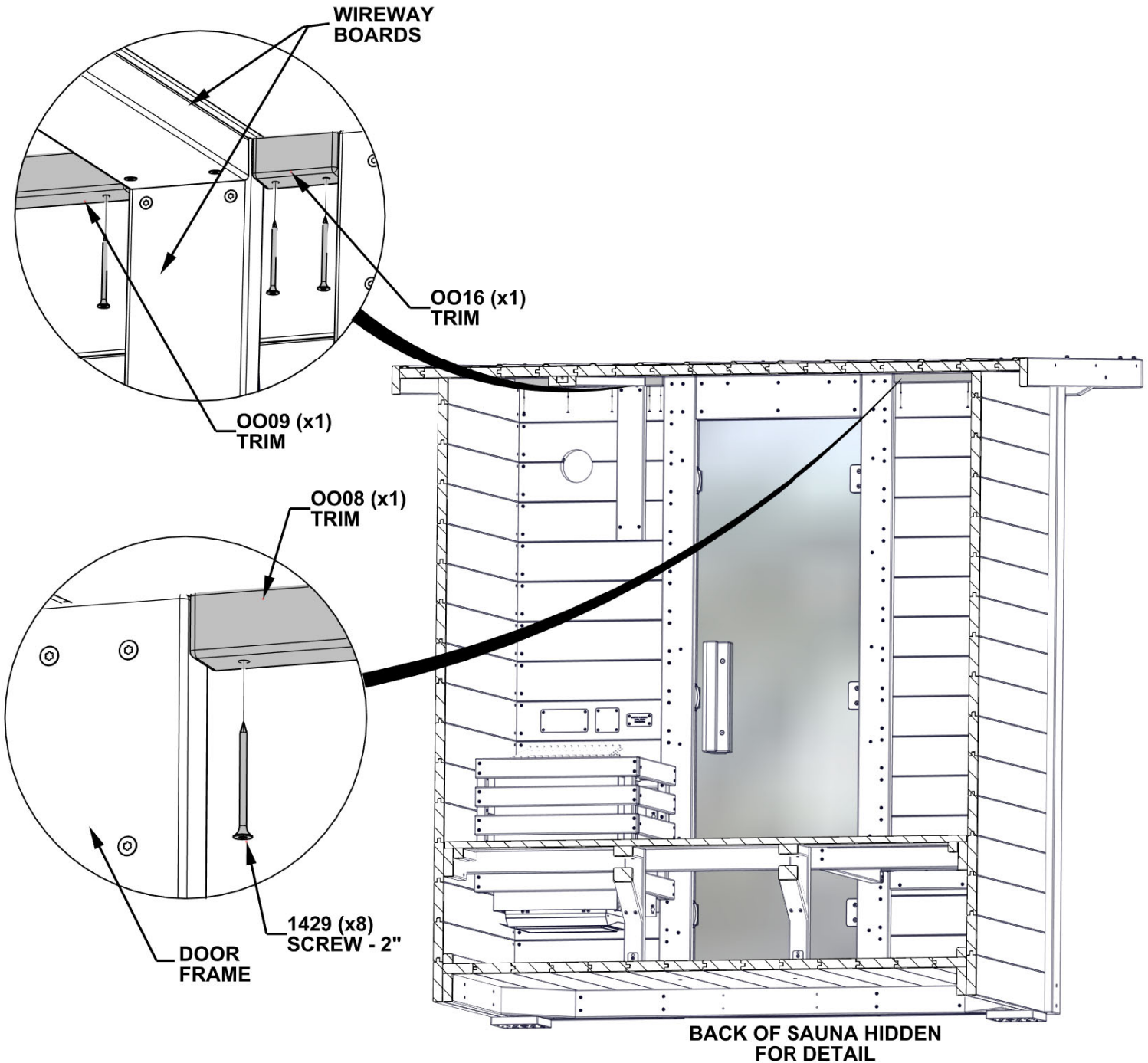


OO09 TRIM - W4L22496  
(x1) 1 3/16"x1 3/16"x12 5/8" (30x30x321)



OO16 TRIM - W4L22415  
(x1) 1 3/16"x1 3/16"x2 3/8" (30x30x60)

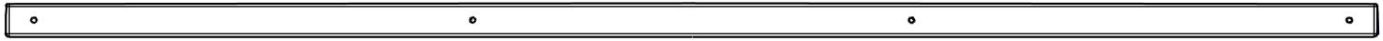
- POSITION OO16 AND OO09 AS SHOWN AND FLUSH AGAINST THE WIREWAY BOARDS.
- POSITION OO08 AS SHOWN AND FLUSH AGAINST THE DOOR FRAME.
- ATTACH AS SHOWN.





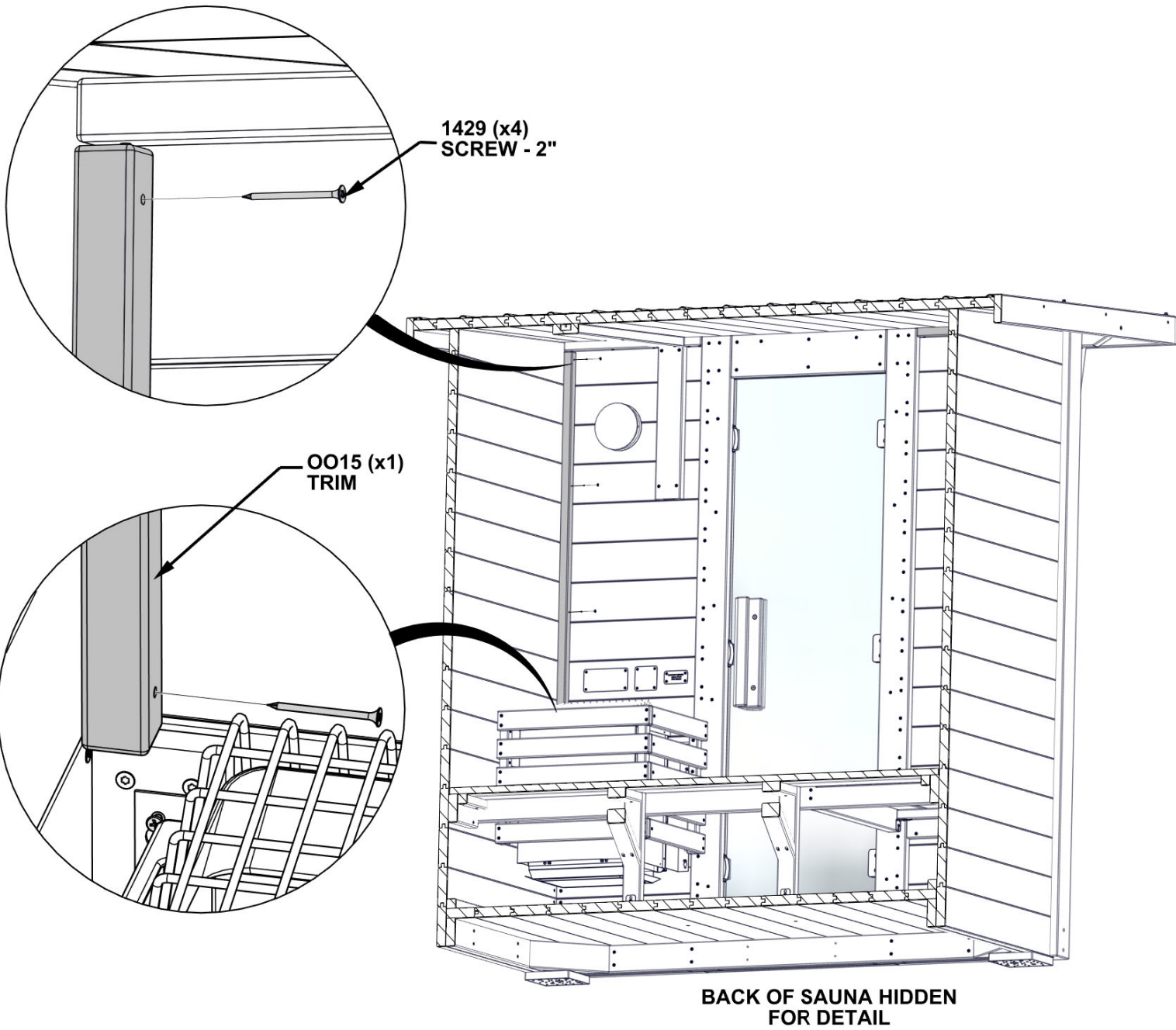
# STEP 80 - TRIM ASSEMBLY

QTY	PART NUMBER	DESCRIPTION
4	H101429	SCREW TFH 8X2 SS-BLK



OO15 TRIM - W4L22730  
(x1) 1 3/16"x1 3/16"x48 1/4" (30x30x1226)

- POSITION TRIM AGAINST WALL AND PREVIOUSLY INSTALLED TRIM AND ATTACH AS SHOWN.



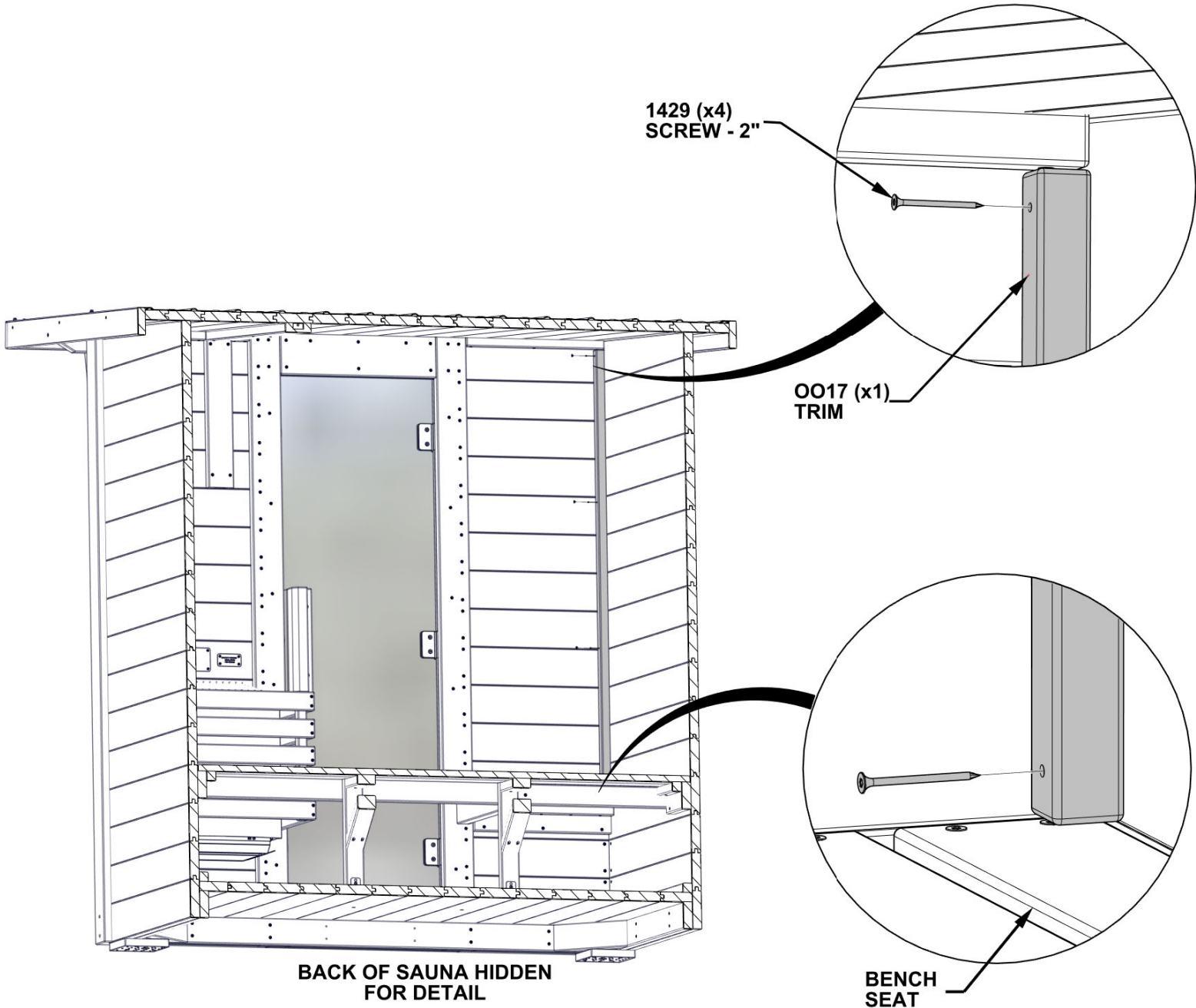
# STEP 81 - TRIM ASSEMBLY

QTY	PART NUMBER	DESCRIPTION
4	H101429	SCREW TFH 8X2 SS-BLK



OO17 TRIM - W4L22732  
 (x1) 1 3/16"x1 3/16"x57 1/16" (30x30x1449)

- POSITION TRIM AGAINST WALL AND PREVIOUSLY INSTALLED TRIM AND ATTACH AS SHOWN.



# STEP 82 - TRIM ASSEMBLY

QTY	PART NUMBER	DESCRIPTION
6	H101429	SCREW TFH 8X2 SS-BLK

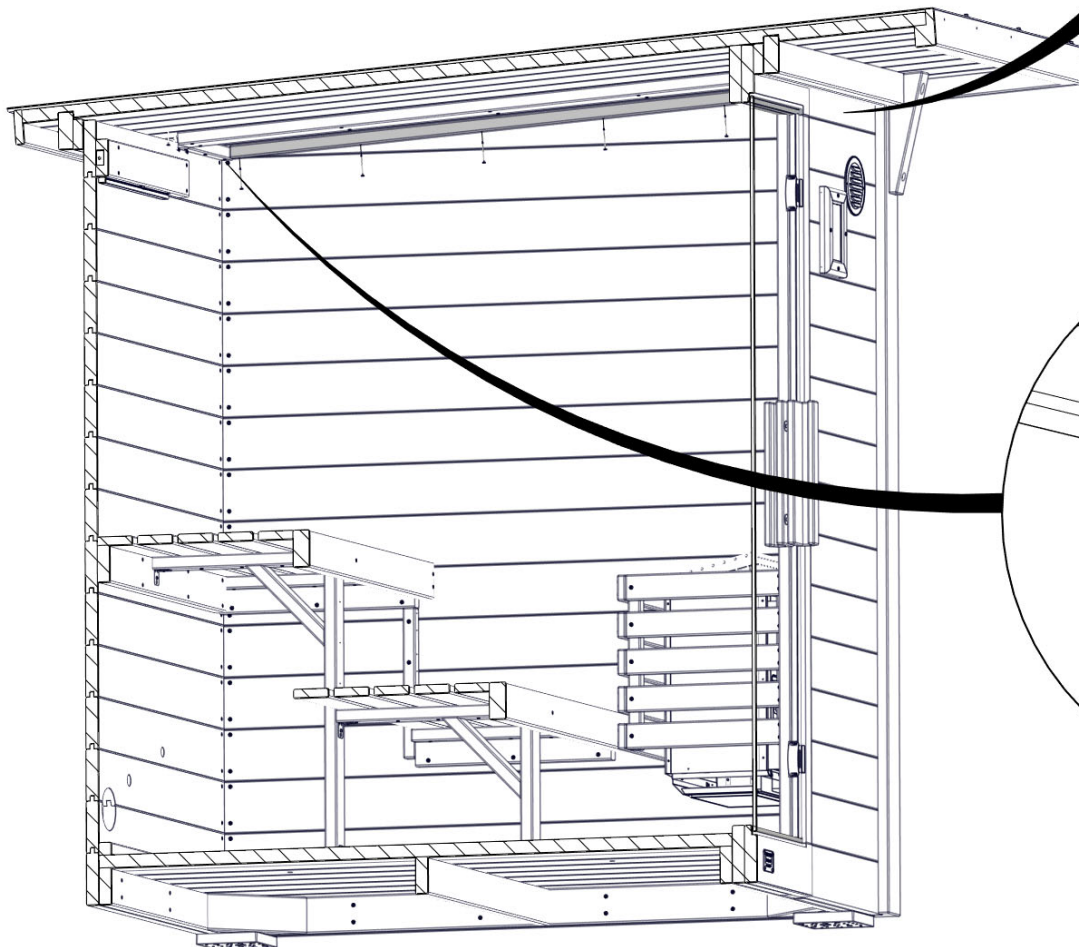
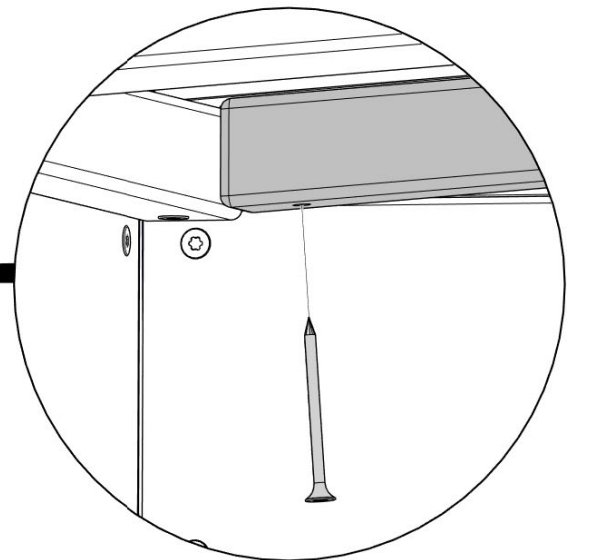
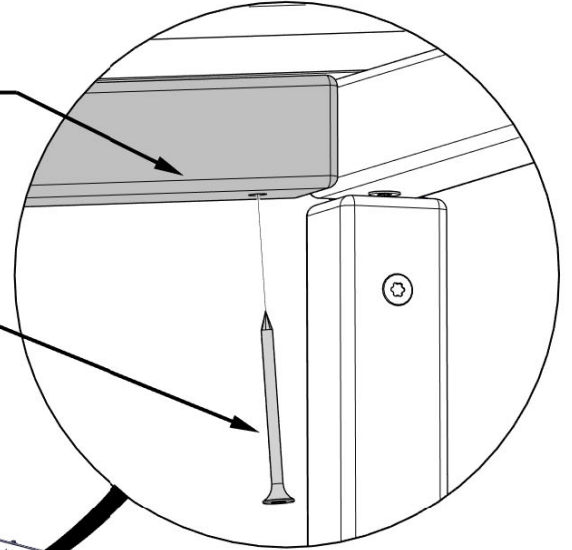


OO13 TRIM - W4L22414  
(x1) 1 3/16"x1 3/16"x61" (30x30x1549)

- POSITION TRIM AGAINST SIDE WALL AND PREVIOUSLY INSTALLED TRIM AND ATTACH AS SHOWN.

OO13 (x1)  
TRIM

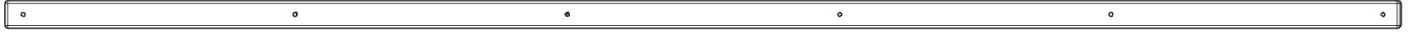
1429 (x6)  
SCREW - 2"



LEFT SIDE OF SAUNA  
HIDDEN FOR DETAIL

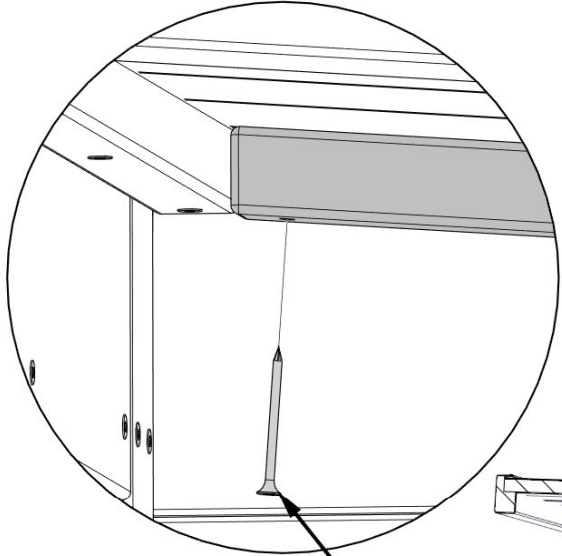
# STEP 83 - TRIM ASSEMBLY

QTY	PART NUMBER	DESCRIPTION
6	H101429	SCREW TFH 8X2 SS-BLK



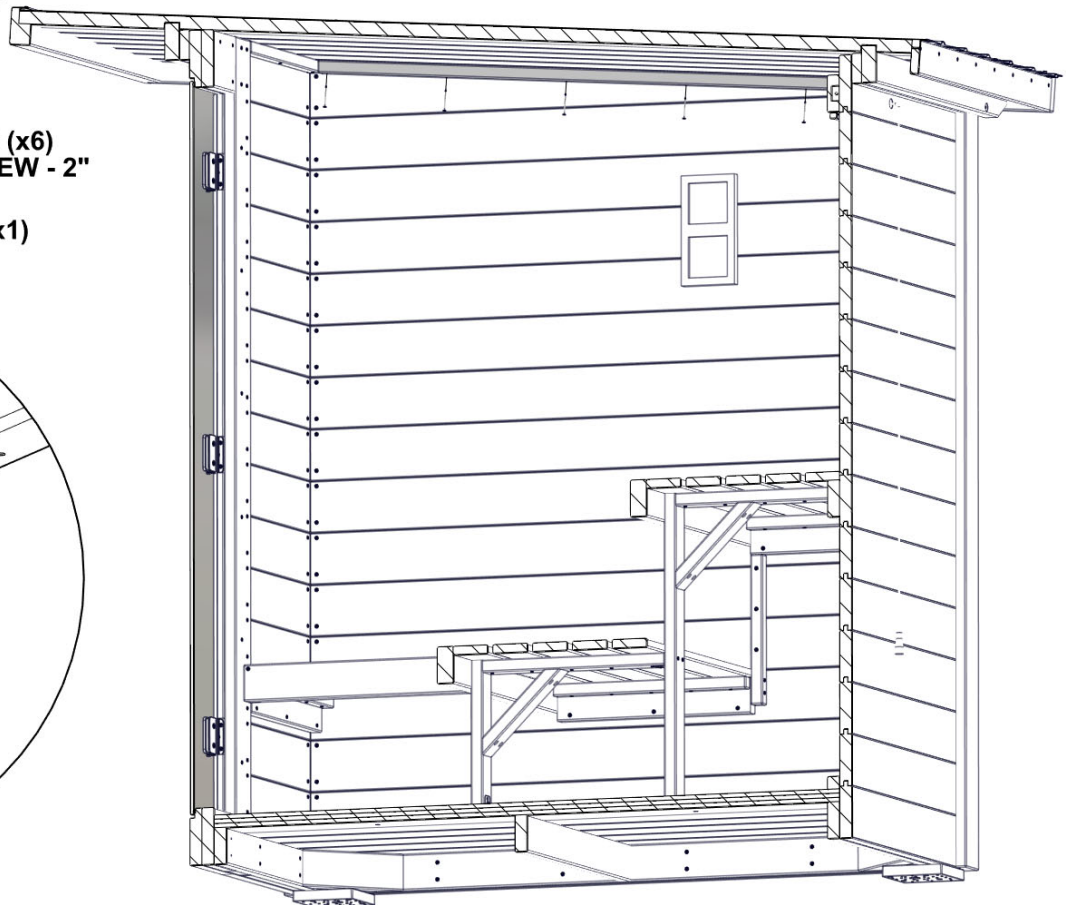
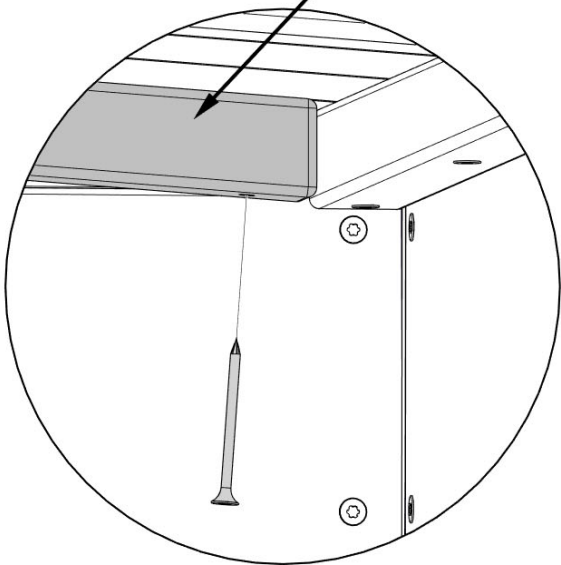
OO13 TRIM - W4L22414  
(x1) 1 3/16"x1 3/16"x61" (30x30x1549)

- POSITION TRIM AGAINST SIDE WALL AND PREVIOUSLY INSTALLED TRIM AND ATTACH AS SHOWN.



1429 (x6)  
SCREW - 2"

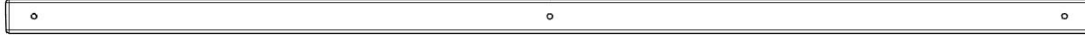
OO13 (x1)  
TRIM



RIGHT SIDE OF SAUNA  
HIDDEN FOR DETAIL

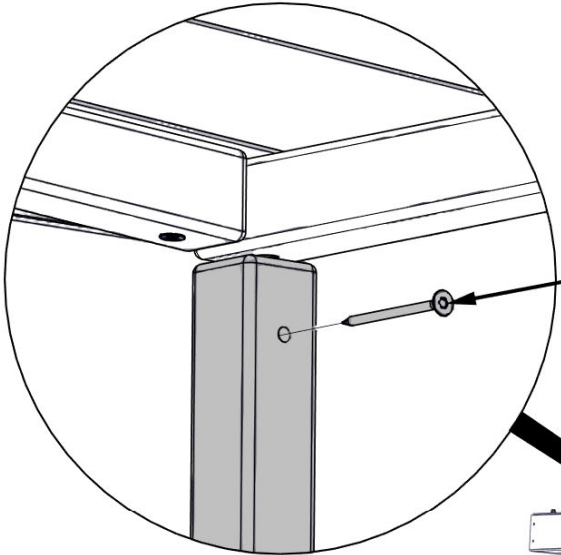
# STEP 84 - TRIM ASSEMBLY

QTY	PART NUMBER	DESCRIPTION
3	H101429	SCREW TFH 8X2 SS-BLK

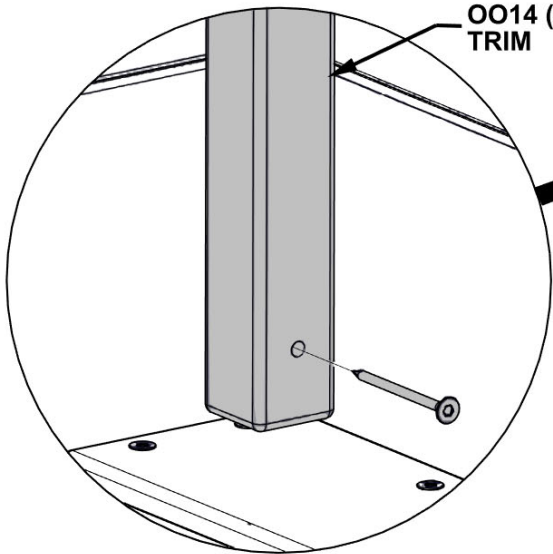


OO14 TRIM - W4L22607  
(x1) 1 3/16"x1 3/16"x37 7/8" (30x30x962)

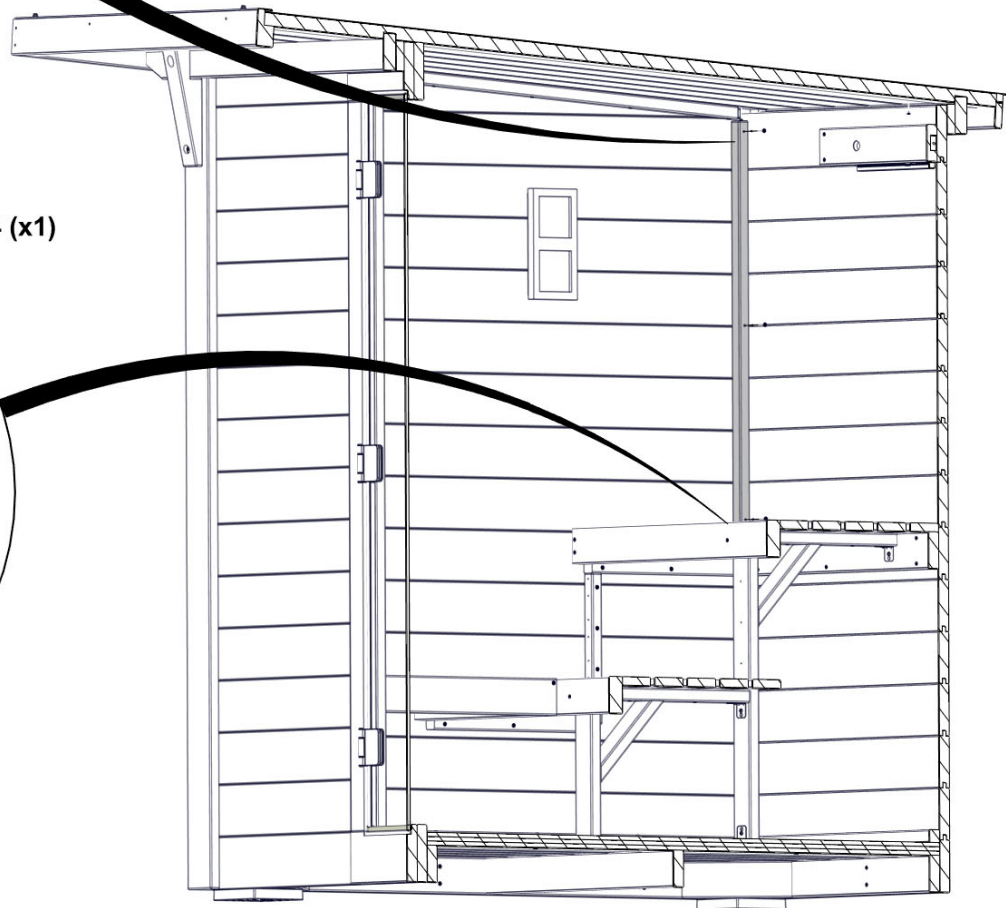
- POSITION TRIM AGAINST SIDE WALL AND PREVIOUSLY INSTALLED TRIM AND ATTACH AS SHOWN.



1429 (x6)  
SCREW - 2"



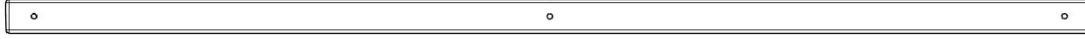
OO14 (x1)  
TRIM



RIGHT SIDE OF SAUNA  
HIDDEN FOR DETAIL

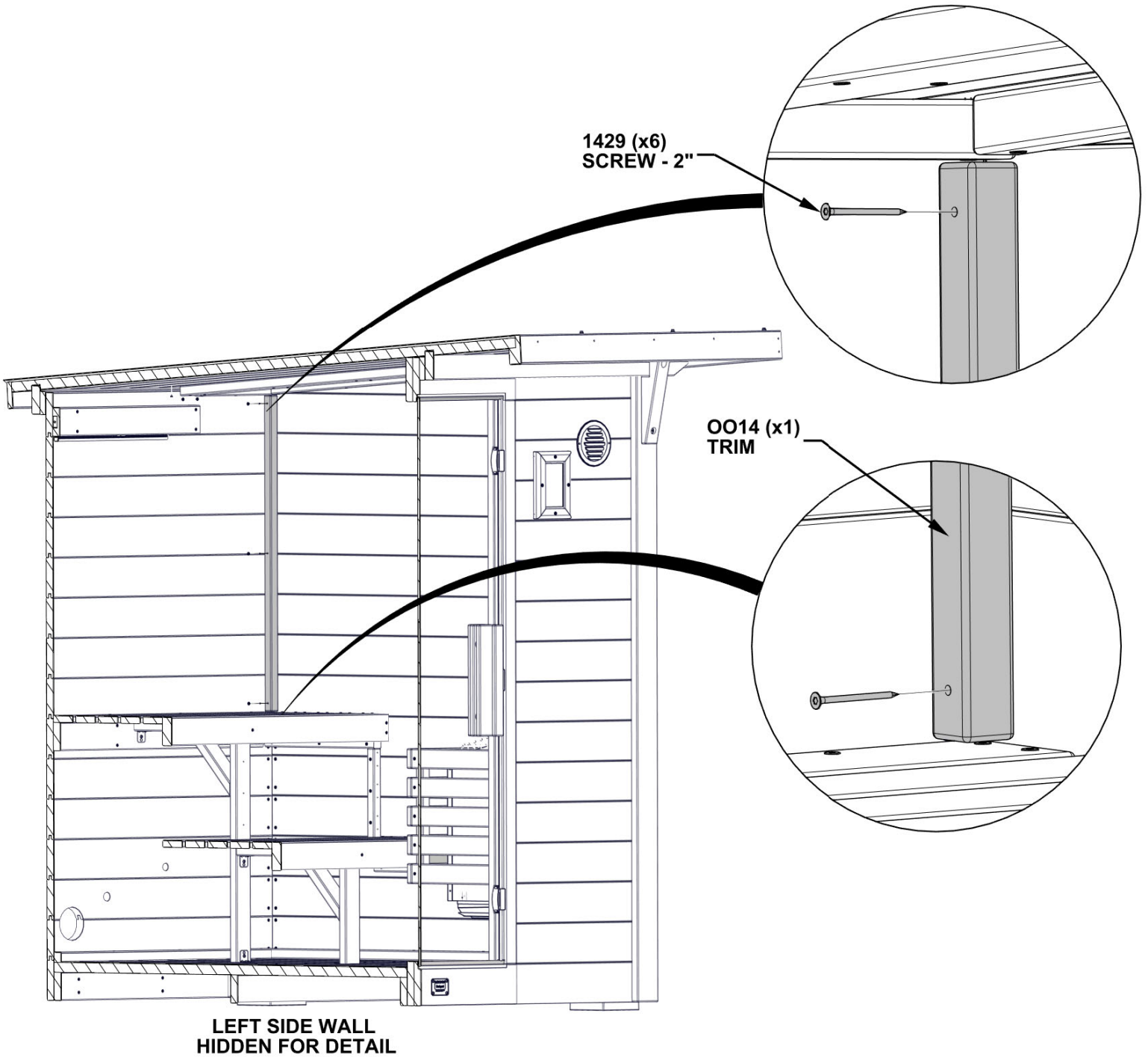
# STEP 85 - TRIM ASSEMBLY

QTY	PART NUMBER	DESCRIPTION
3	H101429	SCREW TFH 8X2 SS-BLK



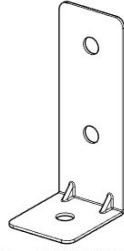
OO14 TRIM - W4L22607  
(x1) 1 3/16"x1 3/16"x37 7/8" (30x30x962)

- POSITION TRIM AGAINST SIDE WALL AND PREVIOUSLY INSTALLED TRIM AND ATTACH AS SHOWN.



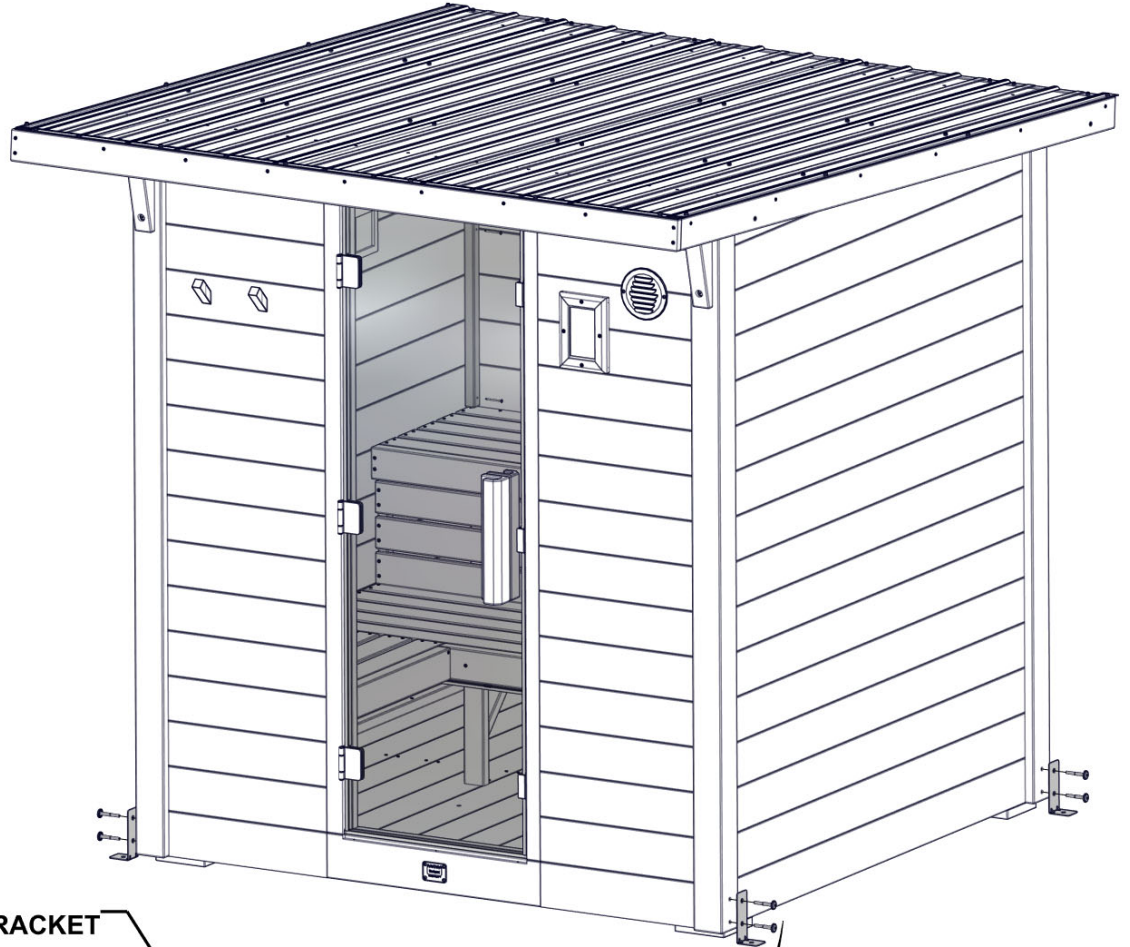
# STEP 86 - ANCHORS

QTY	PART NUMBER	DESCRIPTION
8	H100205	BOLT WH 5/16x2 1/4 BLK

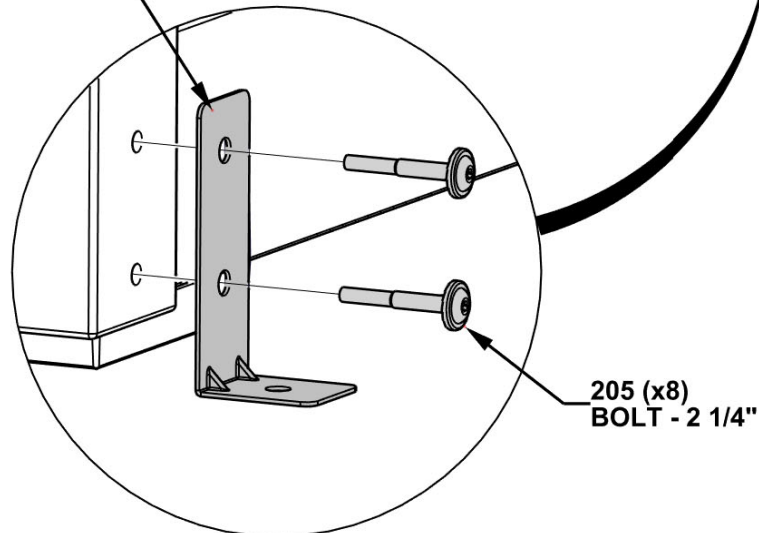


A4M05917 ANCHOR BRACKET  
(x4)

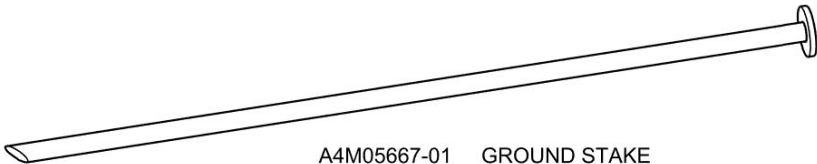
- ALIGN HOLES IN ANCHOR BRACKETS WITH HOLES IN POST AND ATTACH AS SHOWN.



5917 (x4)  
ANCHOR BRACKET

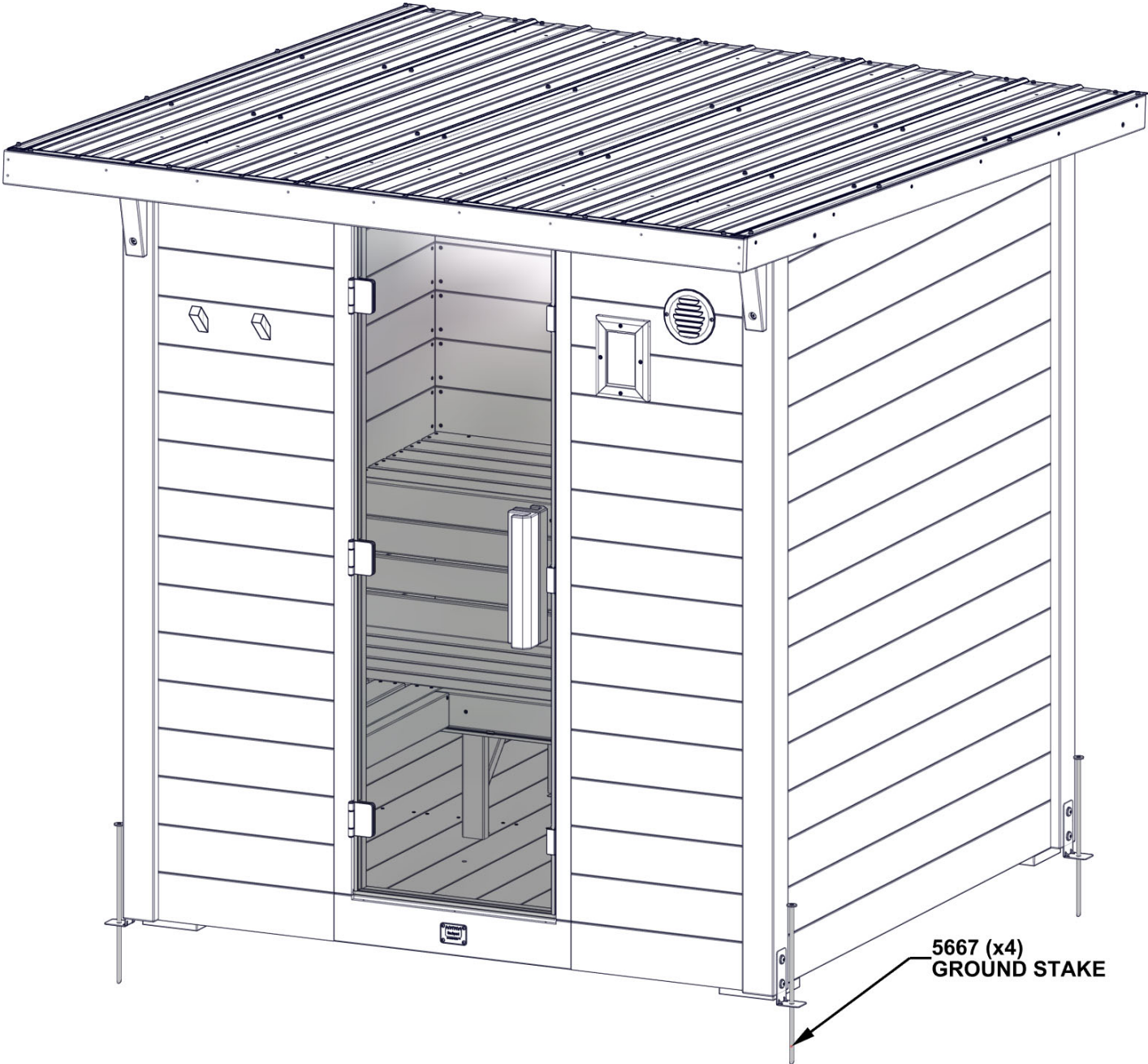


# STEP 87 - ANCHOR TO GROUND



A4M05667-01 GROUND STAKE  
(x4)

- IF SAUNA IS TO SIT ON A CONCRETE SURFACE, SEE STEP 88.



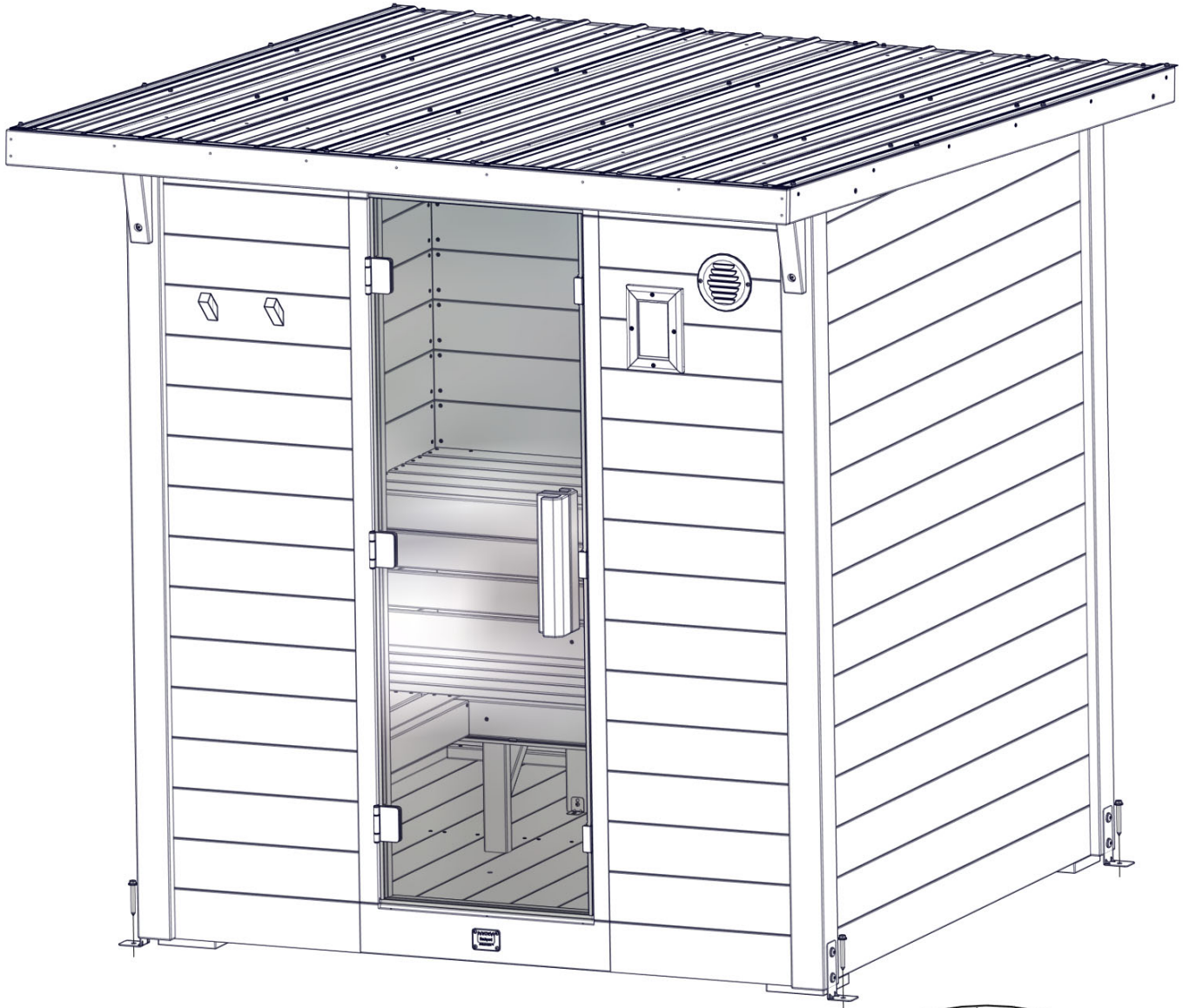
5667 (x4)  
GROUND STAKE



# STEP 88 - ANCHOR TO CONCRETE

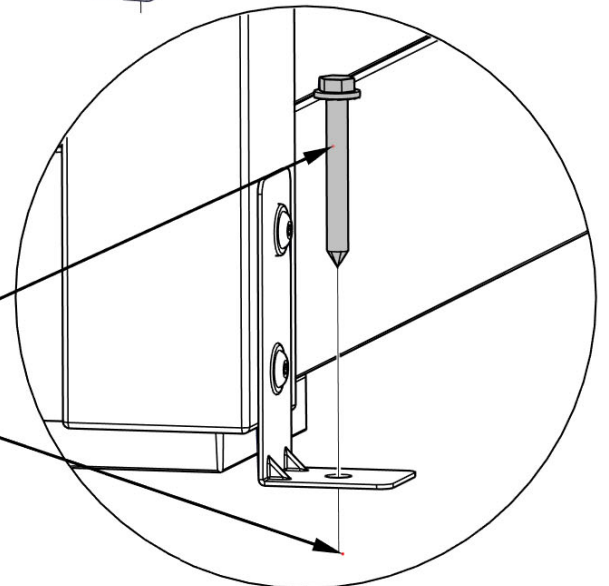
QTY	PART NUMBER	DESCRIPTION
4	H101165	CONCRETE ANCHOR 3/8x3" BLK

- IF SAUNA IS TO SIT ON THE GROUND, SEE STEP 87.



1165 (x4)  
CONCRETE ANCHOR-3"

PRE-DRILL HOLES FOR  
CONCRETE ANCHORS USING A  
5/16" [8mm] CONCRETE DRILL BIT.



## STEP 89 - FINISH

- ONCE THE ASSEMBLY IS COMPLETE, SWEEP AND VACUUM THE INSIDE OF THE SAUNA. WIPE DOWN THE ENTIRE SAUNA WITH A DAMP CLOTH TO REMOVE ANY REMAINING DIRT, DUST, AND DEBRIS.
- THE OUTSIDE ONLY NEEDS TO BE SEALED. STAINING IS OPTIONAL BASED ON DESIRED LOOK.

**- DO NOT USE CHEMICAL-BASED CLEANING AGENTS INSIDE THE SAUNA.**

