



Manufactured by: Backyard
Discovery
3305 Airport Drive, Pittsburg,
KS 66762 800-856-4445

Basepoint Business Centre: Rivermead Drive, Westlea, Swindon SN5 7EX Phone: 0800-118-2476
J.P. Coenstraat 7, The Bridge, The Hague, 2595 WP, Netherlands Phone: 08005678990

RUSTIC ROOTS CHICKEN COOP

MODEL # : 2508019

AGRICULTURAL USE ONLY



Please visit www.backyarddiscovery.com

For the most up to date assembly manual, to register your product, or to order replacement parts *Para obtener instrucciones en español, visite* www.backyarddiscovery.com



EASY STEP-BY-STEP
3D INTERACTIVE INSTRUCTIONS
DOWNLOAD THE FREE APP



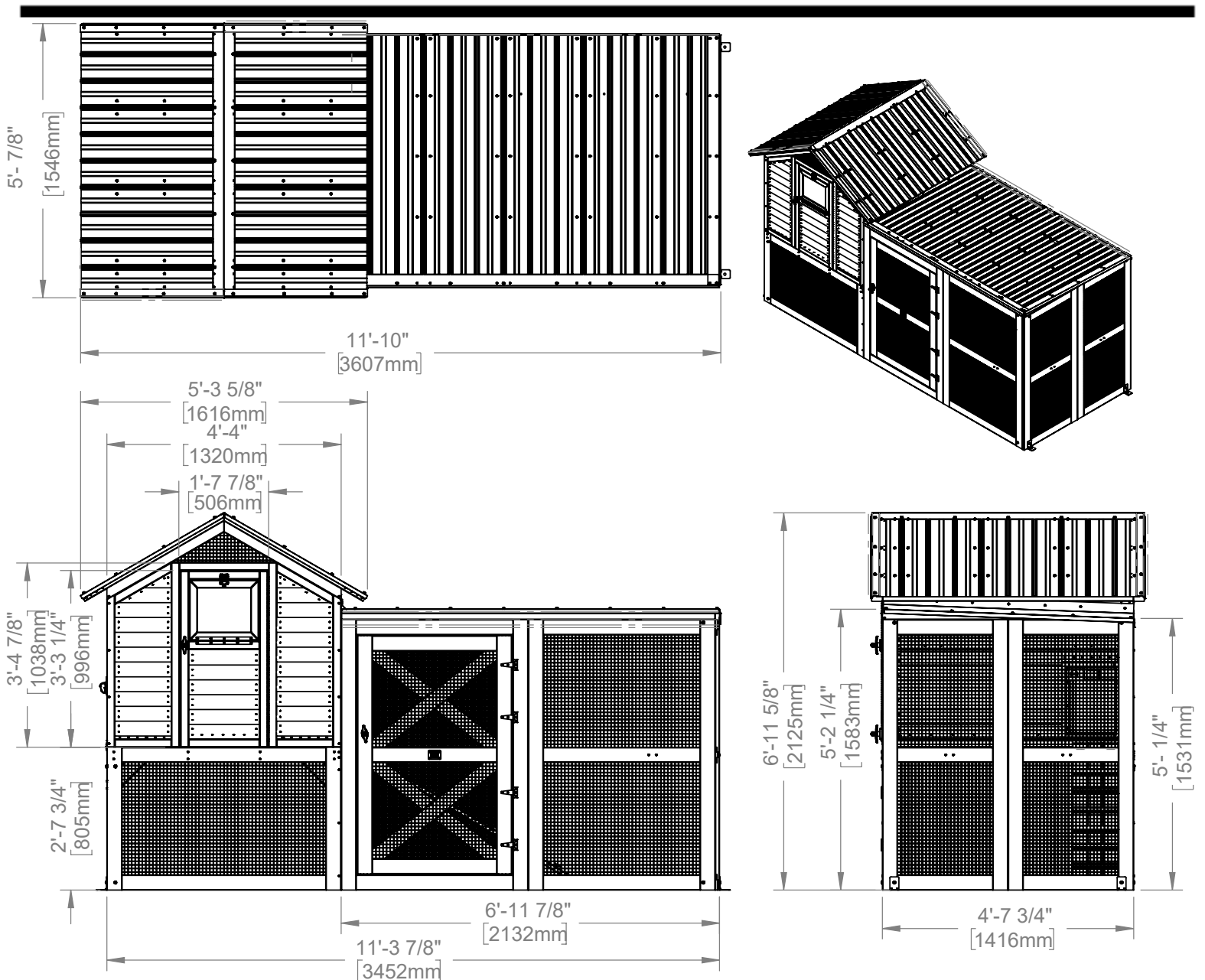
OWNER'S MANUAL - BASIC SETUP DIMENSIONS & ASSEMBLY NOTES

It is critically important that you start with square and level footings or concrete pad to attach your structure.

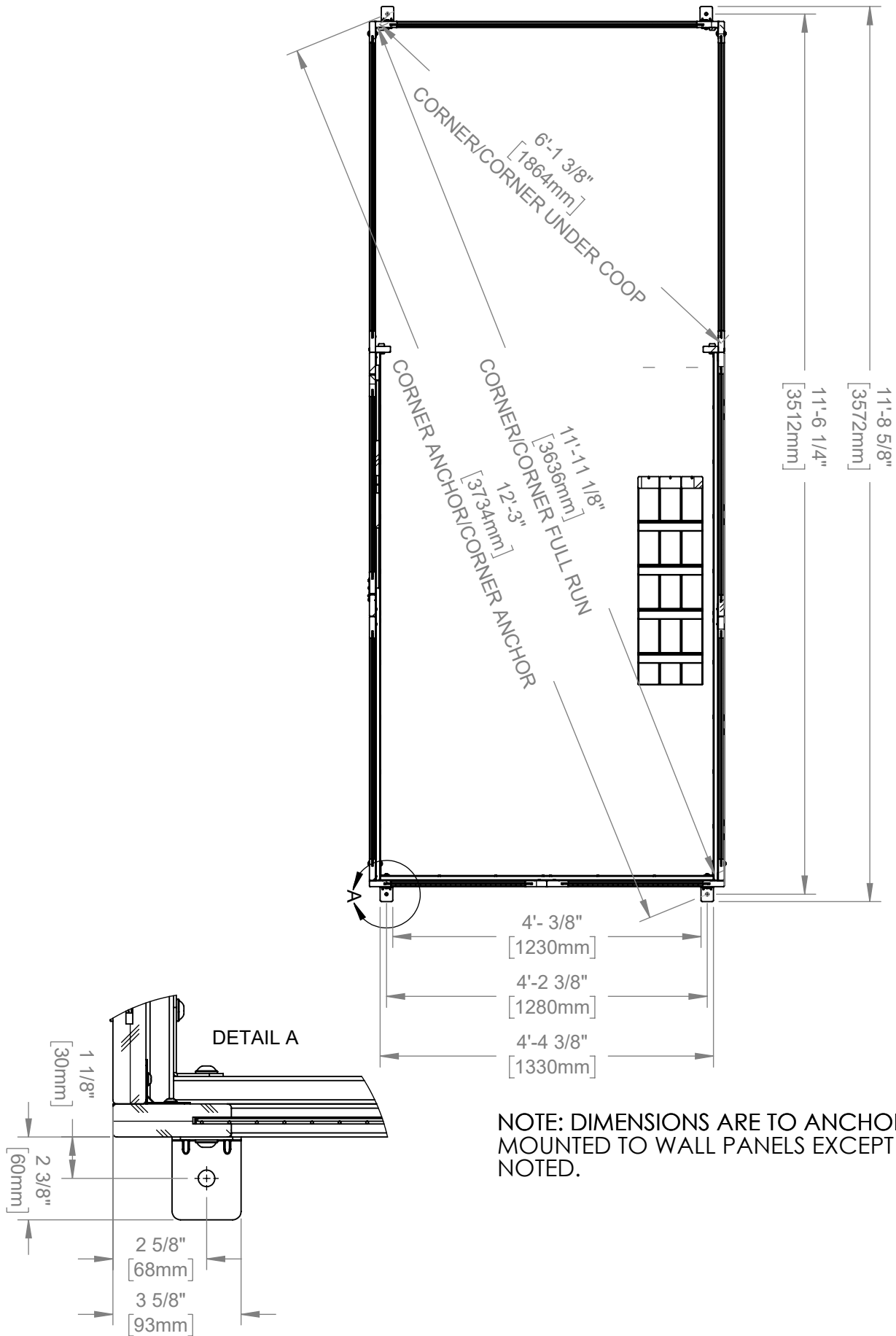
- Pay close attention to the items needed for each step. Make sure you are using the correct hardware for each step. using incorrecdt hardware may result in improper assembly
- Remember to double check for underground utilities and overhead electrical lines

Post mounts are provided with your structure which allows you to permanently install your structure to a pre-existing or new wood concrete surface. See Anchor Instructions for further details and recommendations.

- The hardware to attach the post mounts to the structure is included.
- The hardware to mount the structure permanently to a concrete surface is included
- The hardware to mount the sctructure permanently to a wood deck is NOT included and will need to be purchased separately. You must ensure there is ample structural support under the deck before permanently attaching.



OWNER'S MANUAL - ANCHORING LAYOUT



OWNER'S MANUAL - PARTS IDENTIFICATION

WOOD COMPONENTS (NOT TO SCALE)



AD01 ROOF SUPPORT-W4L21632
(x2) 15/16"x4"x53 7/8" (24x102x1368)



E01 ROOF BOARD-W4L21635
(x2) 1 1/4"x3 3/8"x55 3/4" (32x86x1416)



FS01 FLOOR SUPPORT-W4L21619
(x2) 1 3/16"x2 3/8"x53 7/8" (30x60x1368)



FS02 FLOOR SUPPORT-W4L21618
(x2) 1 3/16"x2 3/8"x53 7/8" (30x60x1368)



FS03 FASCIA BOARD-W4L21637
(x2) 1 1/4"x2 3/8"x36 5/16" (32x60x923)



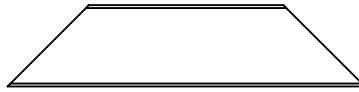
FS04 FASCIA BOARD-W4L21634
(x2) 1 1/4"x2 3/8"x36 5/16" (32x60x923)



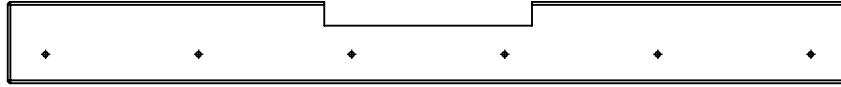
FS05 ROOF BOARD-W4L21636
(x2) 1 1/4"x2 3/8"x55 3/4" (32x60x1416)

OWNER'S MANUAL - PARTS IDENTIFICATION

WOOD COMPONENTS (NOT TO SCALE)



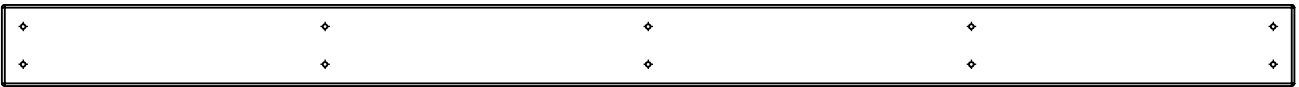
H01 ANGLE BRACE-W4L21621
(x4) 15/16"x3 3/8"x14 7/8" (24x86x378)



H02 DOOR STOP-W4L21640
(x1) 15/16"x3 3/8"x35 1/16" (24x86x890)



H04 FLOOR SUPPORT-W4L21620
(x1) 15/16"x3 3/8"x53 7/8" (24x86x1368)



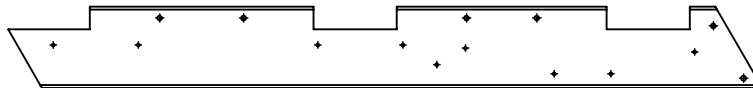
H05 BACK NESTING BOARD-W4L21627
(x1) 15/16"x3 3/8"x53 7/8" (24x86x1368)



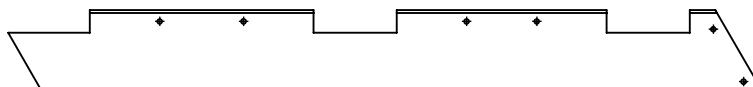
H06 FRONT NESTING BOARD-W4L21625
(x1) 15/16"x3 3/8"x53 7/8" (24x86x1368)



H07 SHEETHING BOARD-W4L21633
(x6) 15/16"x3 3/8"x55 11/16" (24x86x1414)



H08 RAFTER-W4L21631
(x2) 15/16"x3 3/8"x31 7/16" (24x86x798)



H09 RAFTER-W4L21630
(x2) 15/16"x3 3/8"x31 7/16" (24x86x798)

OWNER'S MANUAL - PARTS IDENTIFICATION

WOOD COMPONENTS (NOT TO SCALE)



HS01 BASE BOARD-W4L21684
(x1) 13/16"x3 3/8"x52 5/16" (20x86x1328)



HS02 FLOOR BOARD-W4L21804
(x2) 13/16"x3 3/8"x83" (20x86x2108)



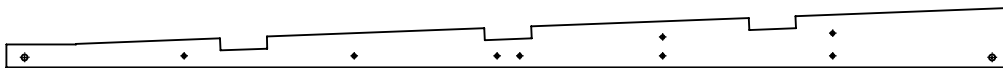
HS03 PERCH-W4L22598
(x2) 13/16"x3 3/8"x24" (20x86x610)



HS04 ROOF BOARD-W4L21682
(x1) 13/16"x3 3/8"x83" (20x86x2108)



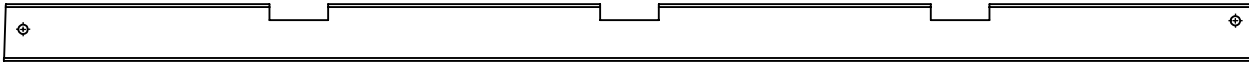
HS05 ROOF BOARD-W4L21683
(x1) 13/16"x3 3/8"x83" (20x86x2108)



HS06 ROOF BOARD-W4L22590
(x1) 13/16"x3 3/16"x52 5/16" (20x81x1328)

OWNER'S MANUAL - PARTS IDENTIFICATION

WOOD COMPONENTS (NOT TO SCALE)



J01 RAFTER-W4L21686
(x5) 15/16"x2 3/8"x52 1/16" (24x60x1323)



J02 SHEETHING BOARD-W4L22588
(x3) 13/16"x2 3/8"x82 3/8" (20x60x2092)



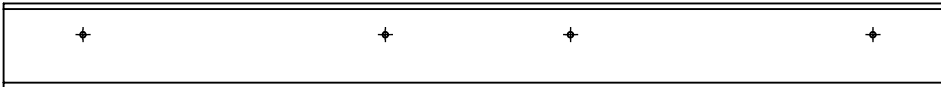
J03 ROOF BOARD-W4L21685
(x1) 15/16"x1 15/16"x44 15/16" (24x50x1142)



J04 ROOF BOARD-W4L21681
(x1) 15/16"x1 15/16"x83" (24x50x2108)



J05 FLOOR SUPPORT-W4L21622
(x2) 15/16"x2 3/8"x28 5/16" (24x60x719)



J06 DOOR HEADER-W4L21628
(x1) 15/16"x1 3/4"x19 3/4" (24x45x501)



J07 NESTING BOX BOARD-W4L21626
(x1) 15/16"x2 3/8"x53 7/8" (24x60x1368)



J08 PERCH BOARD-W4L22596
(x3) 15/16"x2 3/8"x50 13/16" (24x60x1290)



M01 FLOOR BOARD-W4L21624
(x13) 5/8"x3 3/8"x50" (16x86x1270)



M02 DOOR BRACE-W4L22589
(x4) 5/8"x3 3/8"x41 7/8" (16x86x1063)

OWNER'S MANUAL - PARTS IDENTIFICATION

WOOD COMPONENTS (NOT TO SCALE)



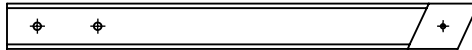
N01 DOOR STOP-W4L21780
(x1) 5/8"x2 3/8"x54 5/8" (16x60x1387)



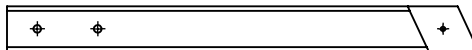
PS01 ANGLE SUPPORT-W4L22591
(x1) 1 3/16"x1 3/16"x11 7/8" (30x30x302)



PS02 ANGLE SUPPORT-W4L22592
(x1) 1 3/16"x1 3/16"x11 7/8" (30x30x302)



PS03 VERTICAL SUPPORT-W4L22593
(x1) 1 3/16"x1 3/16"x12 5/16" (30x30x312)



PS04 VERTICAL SUPPORT-W4L22594
(x1) 1 3/16"x1 3/16"x12 5/16" (30x30x312)



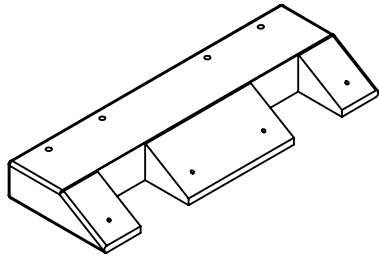
W01 PERCH SUPPORT-W4L22595
(x6) 15/16"x1 15/16"x3 3/8" (24x50x86)



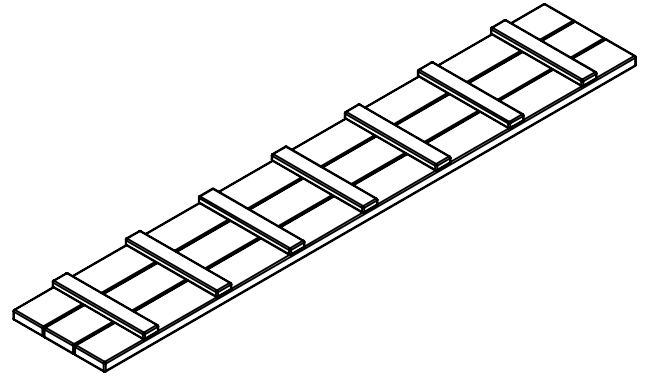
Y01 FLOOR BOARD-W4L22566
(x2) 5/8"x4"x50" (16x101x1270)

OWNER'S MANUAL - PARTS IDENTIFICATION

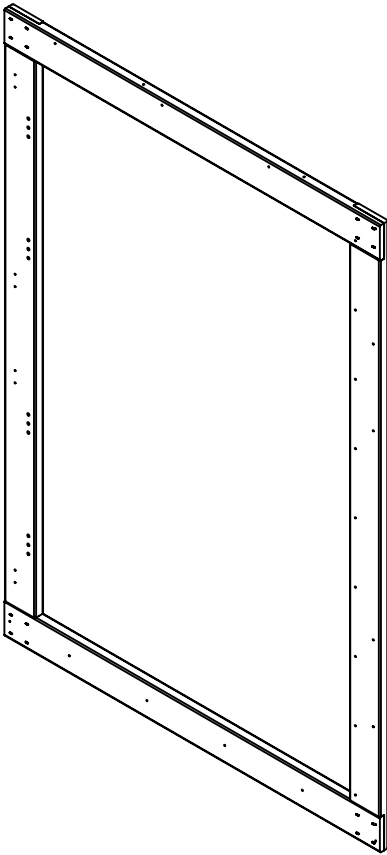
WOOD COMPONENTS (NOT TO SCALE)



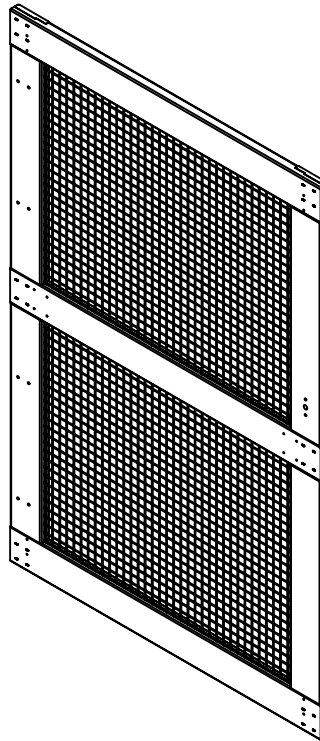
AL01 BASE RAMP W/ PRODUCT ID TAG-W2A05123
(x1) 1 7/16"x4 5/16"x12 1/8" (36x109x308)



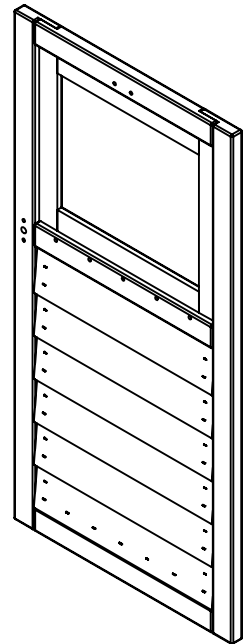
CR01 COOP RAMP-W2A04689
(x1) 1 9/16"x10 3/16"x58 3/4" (40x258x1492)



DF01 RUN DOOR FRAME-W2A04668
(x1) 15/16"x3 3/8"x 60" (24x1054x1524)



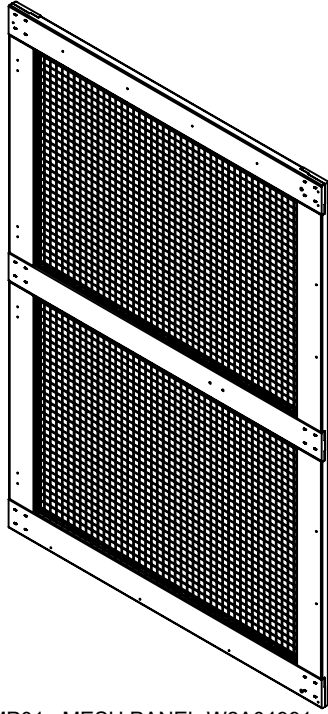
DP01 DOOR PANEL-W2A04988
(x1) 15/16"x34 5/16"x52 13/16" (24x871x1342)



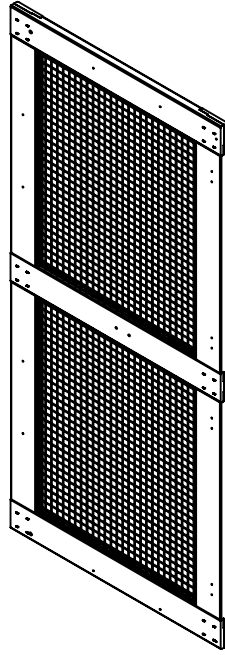
DP02 COOP DOOR PANEL-W2A04678
(x1) 15/16"x19 5/16"x39" (24x490x990)

OWNER'S MANUAL - PARTS IDENTIFICATION

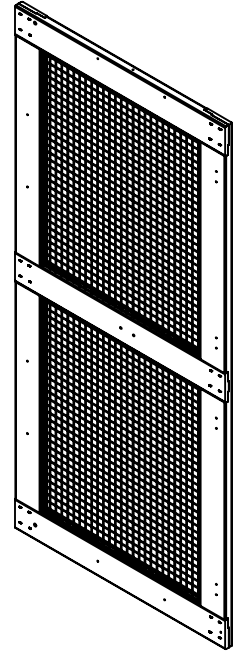
WOOD COMPONENTS (NOT TO SCALE)



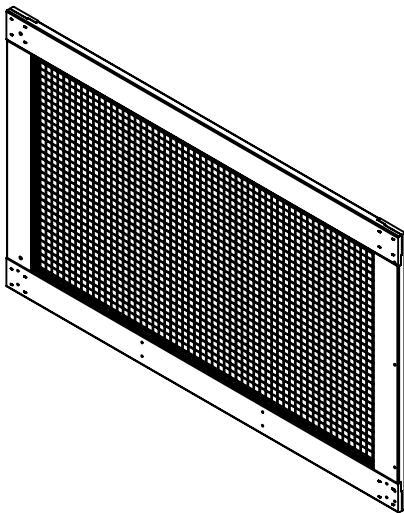
MP01 MESH PANEL-W2A04991
(x1) 15/16"x3 3/8"x60" (24x1054x1524)



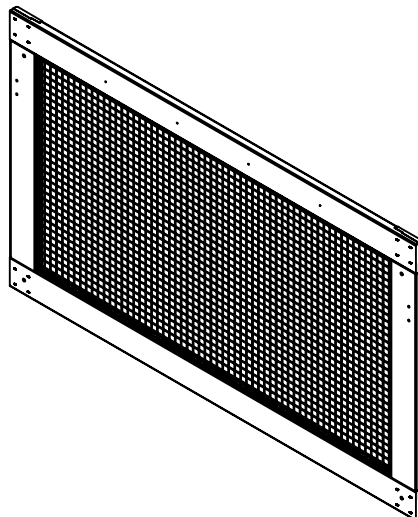
MP02 MESH PANEL-W2A04990
(x1) 15/16"x27 7/8"x60" (24x708x1524)



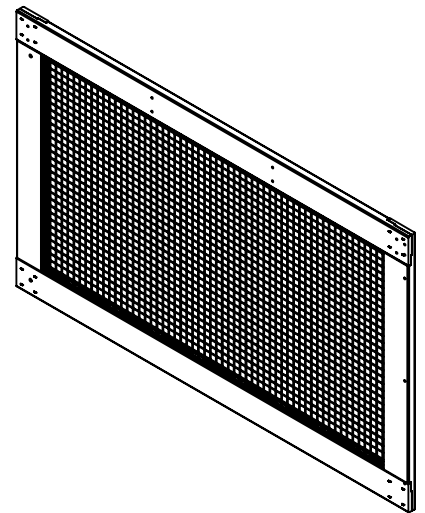
MP03 MESH PANEL-W2A04987
(x1) 15/16"x27 7/8"x60" (24x708x1524)



MP05 MESH PANEL-W2A04985
(x1) 15/16"x31 11/16"x51 15/16" (24x805x1320)



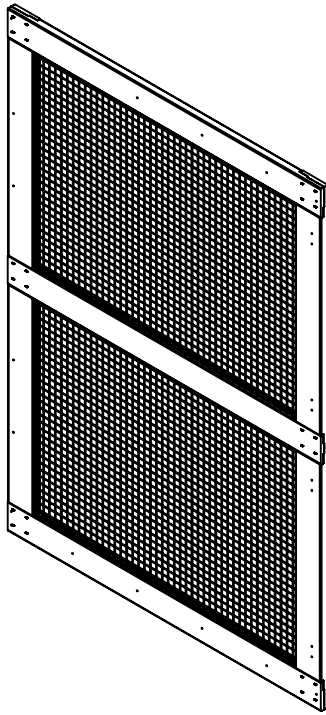
MP04 MP04-W2A04984
(x1) 15/16"x31 11/16"x53 7/8" (24x805x1368)



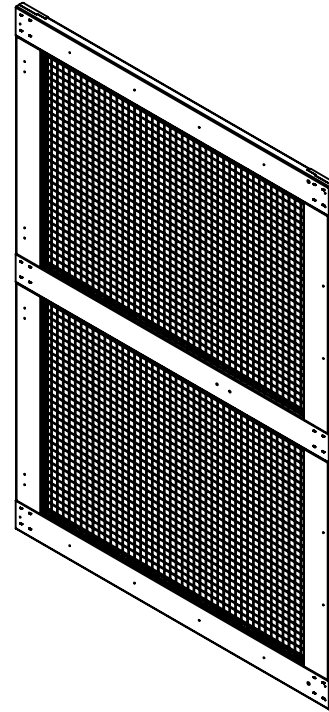
MP06 MESH PANEL-W2A04992
(x1) 15/16"x51 15/16"x31 11/16" (24x1320x805)

OWNER'S MANUAL - PARTS IDENTIFICATION

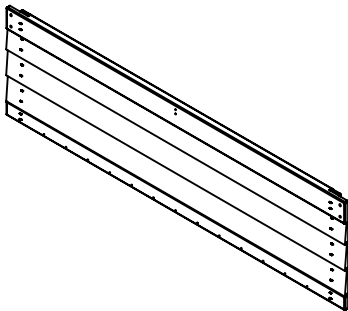
WOOD COMPONENTS (NOT TO SCALE)



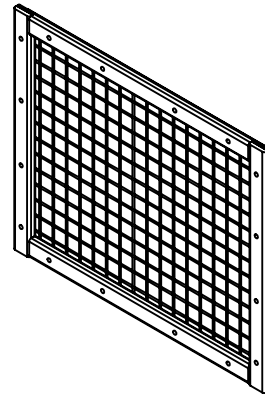
MP07 MESH PANEL-W2A04986
(x1) 15/16"x41 1/2"x60" (24x1054x1524)



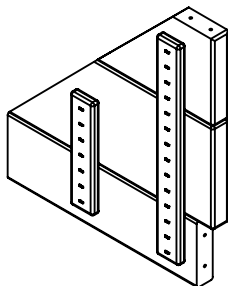
MP08 MESH PANEL-W2A04989
(x1) 15/16"x41 1/2"x60" (24x1054x1524)



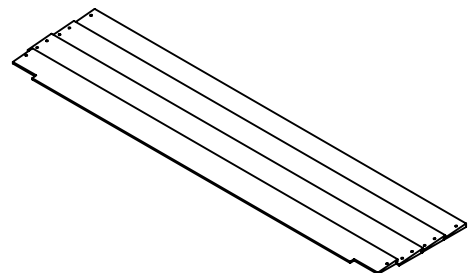
NB01 NESTING BOX DOOR-W2A05228
(x1) 7/8"x13 3/4"x49 15/16" (20x350x1268)



SD01 SCREEN DOOR-W2A04680
(x1) 9/16"x12 5/16"x14 13/16" (15x312x376)



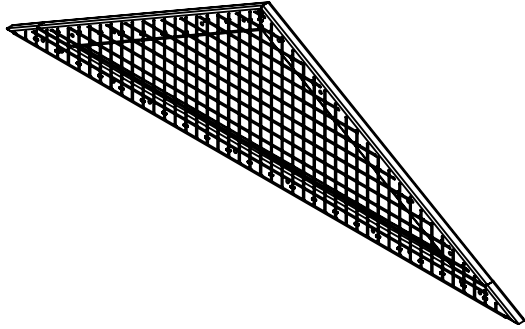
NB03 NESTING BOX DIVIDER-W2A04676
(x3) 1 3/8"x12 1/16"x13 1/8" (35x307x334)



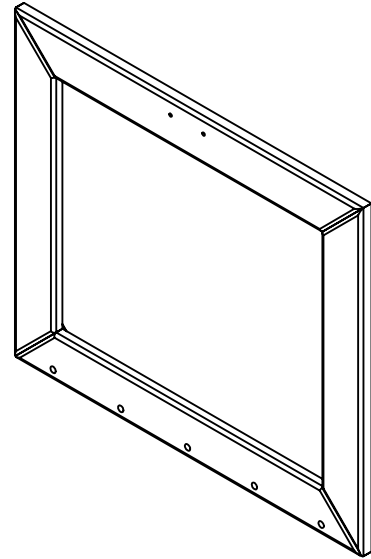
NB02 NESTING BOX-W2A04993
(x1) 7/8"x13 1/8"x54 3/4" (23x334x1390)

OWNER'S MANUAL - PARTS IDENTIFICATION

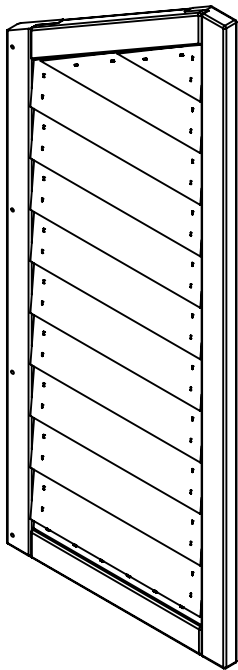
WOOD COMPONENTS (NOT TO SCALE)



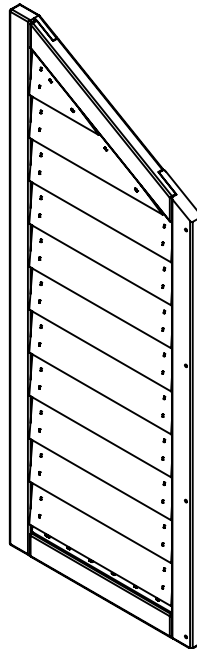
TW01 TRIANGLE WINDOW-W2A04677
(x2) 13/16"x10 7/8"x37 11/16" (20x277x958)



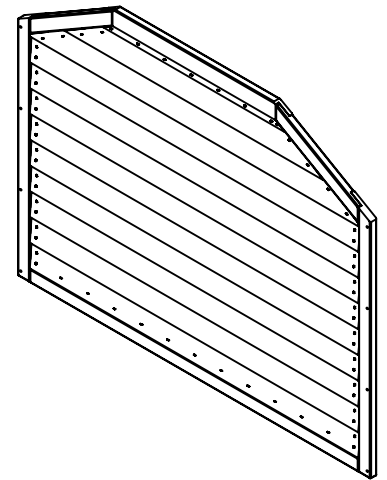
WP01 WINDOW PANEL-W2A04681
(x1) 1/2"x13 5/16"x15 3/8" (12x339x390)



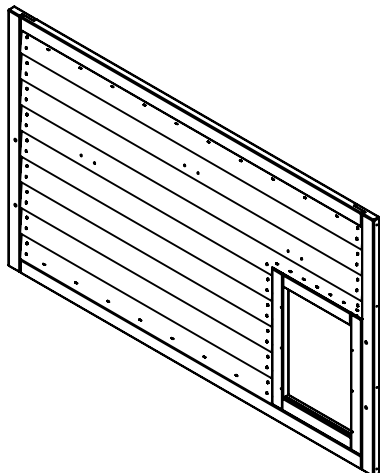
WP02 WALL PANEL-W2A04670
(x1) 15/16"x16 1/8"x41" (24x409x1041)



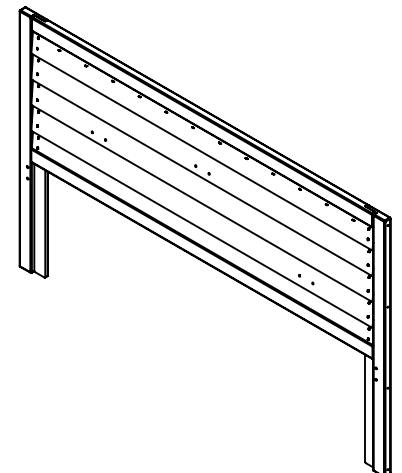
WP03 WALL PANEL-W2A04671
(x1) 15/16"x16 1/8"x41" (24x409x1041)



WP04 WALL PANEL-W2A04672
(x1) 15/16"x41"x51 15/16" (24x1041x1320)



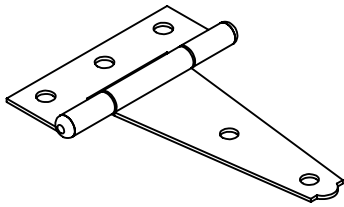
WP05 WALL PANEL-W2A04673
(x1) 15/16"x32 11/16"x53 7/8" (24x831x1368)



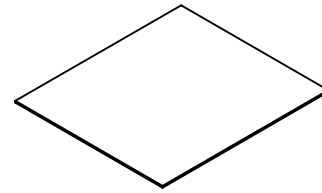
WP06 WALL PANEL-W2A04674
(x1) 15/16"x32 11/16"x53 7/8" (24x831x1368)

OWNER'S MANUAL - PARTS IDENTIFICATION

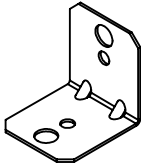
WOOD COMPONENTS (NOT TO SCALE)



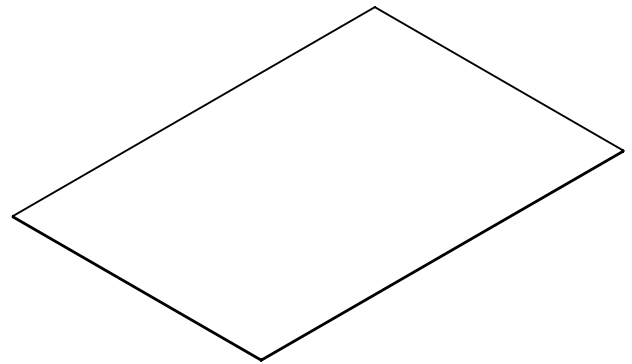
0093 HINGE-A100093
(x4)



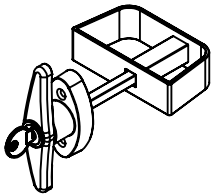
1541 NESTING BOX MAT-A6P01541
(x4) 1/8"x10 13/16"x12 3/16" (3x275x310)



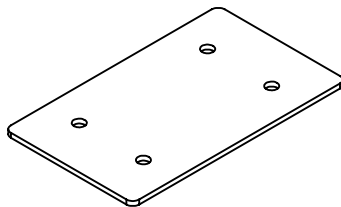
555 L BRACKET BLK-A4M00555
(x12) 1 1/4"x1 3/8"x1 3/8" (32x35x35)



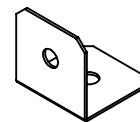
1542 CHICKEN COOP MAT-A6P01542
(x1) 1/8"x53 3/8"x36 5/8" (3x1355x930)



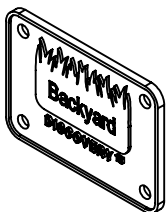
839 HANDLE W/ LOCK 52MM SPACING-A4M00839
(x2)



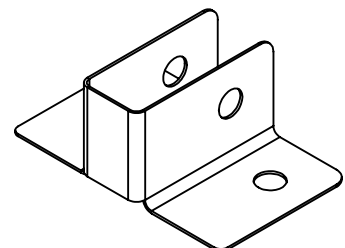
997 METAL CLEAT-A4M00997
(x18) 1/16"x2 3/8"x3 15/16" (2x60x100)



1785 ANGLE BRACKET-A4M01785
(x17) 1 1/4"x1 1/4"x1 13/16" (32x48x32)



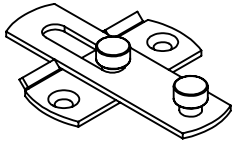
2158 BYD ID TAG PATIO-A4M02158
(x1) 1/8"x2"x2 13/16" (3.1x51x71)



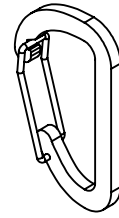
1979 JOIST HANGER 90*-A4M01979
(x10)

OWNER'S MANUAL - PARTS IDENTIFICATION

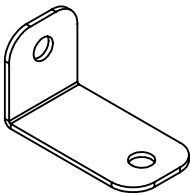
WOOD COMPONENTS (NOT TO SCALE)



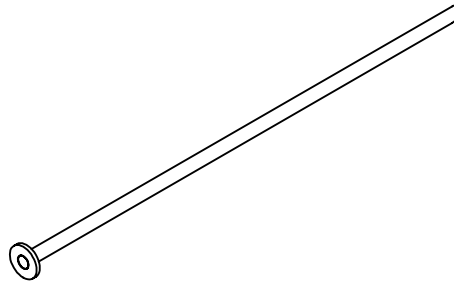
2607 WINDOW LATCH LOCK-A4M02607
(x3) 7/16"x1 15/16"x2 3/4" (11x50x70)



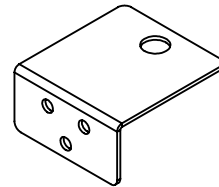
2971 CARABINER-A4M02971
(x1)



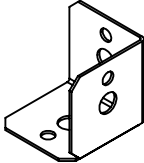
6152 CORNER BRACKET-A4M06152
(x8) 1 1/4"x1 7/16"x2 3/8" (32x36x60)



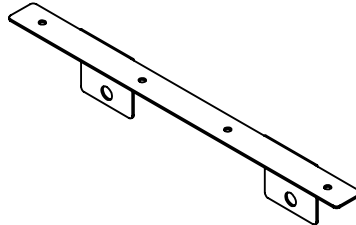
5667 GROUND STAKE-A4M05667
(x4) 1"x16" (25x406)



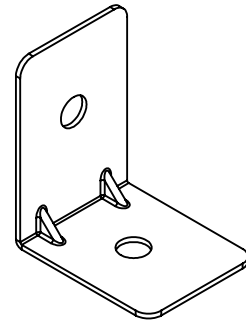
4722 CHICKEN RAMP L BRACKET-A4M04722
(x2) 1/16"x1 7/8"x2" (1.5x48x52)



0706 3 WAY 90° BRACKET-A4M00706
(x2) 1 3/8"x1 3/8"x1 3/8"x (35x35x35)



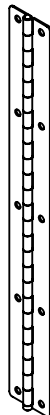
4737 CHICKEN RAMP BRACKET-A4M04737
(x1) 1 1/16"x1 15/16"x12 1/8" (1.5x49.5x308)



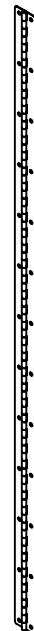
6220 ANCHOR BRACKET-A4M06220
(x4) 1/16"x1 15/16"x5 5/16" (2x50x134)



4578 PIANO HINGE 925mm-A4M04578
(x1) 1/4"x1 1/8"x1 3/16" (6.0x29.2x925)



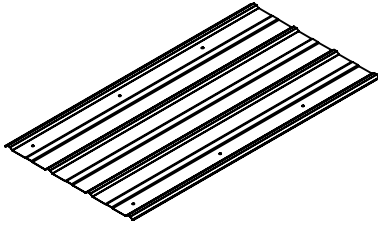
5272 PIANO HINGE 316mm-A4M05272
(x1) 1/4"x1 1/2"x12 7/16" (6x38x316)



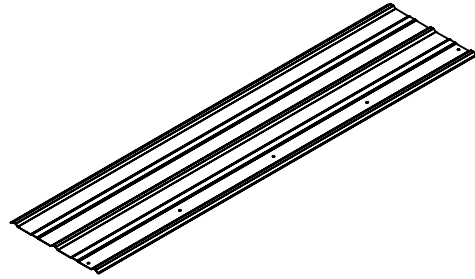
5104 PIANO HINGE 1000mm-A4M05104
(x1) 1/4"x1 1/2"x39 3/8" (6x38x1000)

OWNER'S MANUAL - PARTS IDENTIFICATION

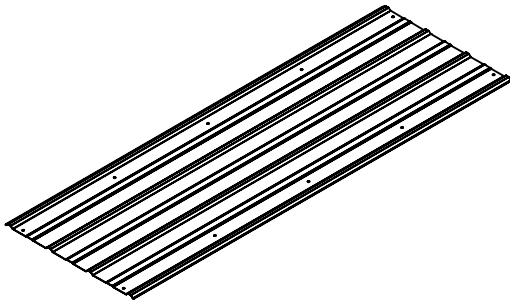
WOOD COMPONENTS (NOT TO SCALE)



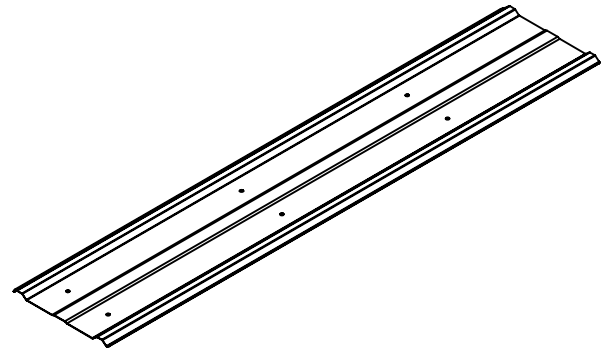
5346 29GA STEEL SHEETING-A4M05346
(x6) 1/4"x18 7/8"x36 5/16" (7x480x922)



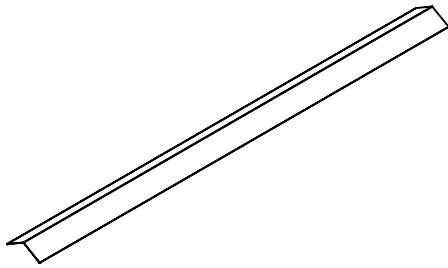
6154 29GA STEEL SHEETING-A4M06154
(x1) 1/4"x13"x55 11/16" (7x330x1414)



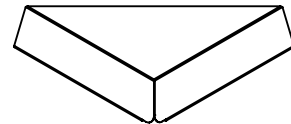
6153 29GA STEEL SHEETING-A4M06153
(x4) 1/4"x18 7/8"x55 11/16" (7x480x1414)



6046 29GA STEEL SHEETING-A4M06046
(x2) 1/4"x7 1/16"x36 5/16" (7x180x922)



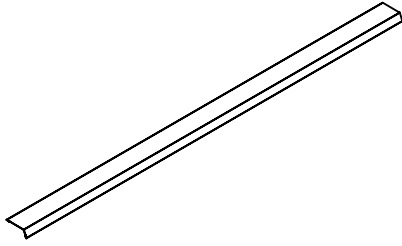
5343 RIDGE CAP-A4M05343
(x1) 2 7/16"x4 3/16"x60 1/4" (61x106x1530)



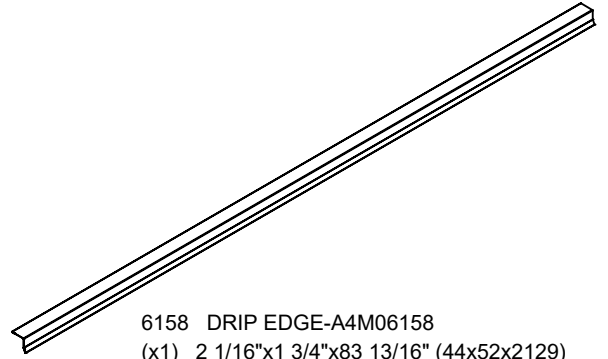
2696 CORNER SPLICE TRIM-A4M02696
(x1) 1 1/8"x1 1/8"x5 1/8" (28x28x131)

OWNER'S MANUAL - PARTS IDENTIFICATION

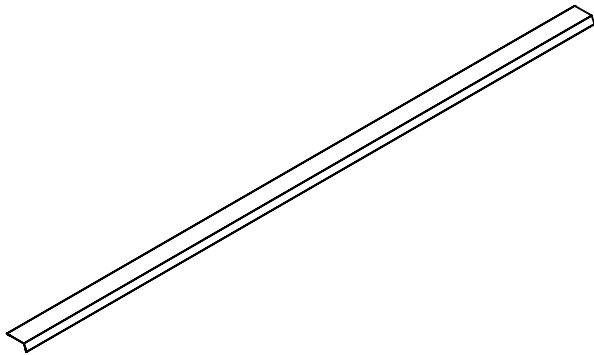
WOOD COMPONENTS (NOT TO SCALE)



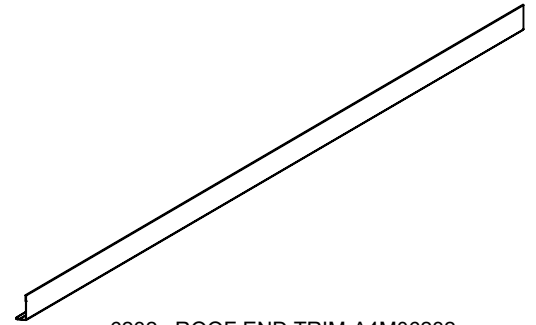
6155 ROOF EDGE TRIM-A4M06155
(x1) 15/16"x2 7/8"x55 3/8" (23x74x1407)



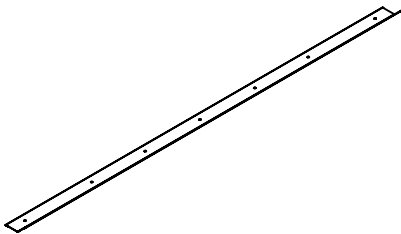
6158 DRIP EDGE-A4M06158
(x1) 2 1/16"x1 3/4"x83 13/16" (44x52x2129)



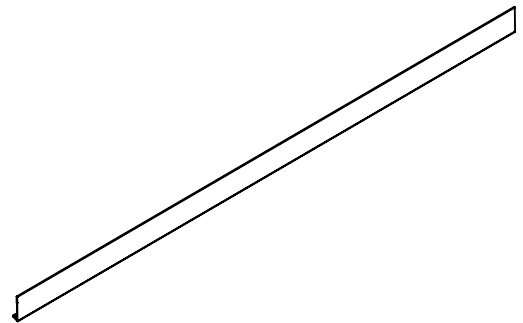
6156 ROOF EDGE TRIM-A4M06156
(x1) 15/16"x2 7/8"x83 11/16" (23x74x2125)



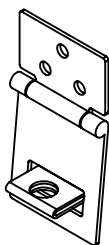
6232 ROOF END TRIM-A4M06232
(x2) 13/16"x2 1/16"x36 3/4" (21x53x933)



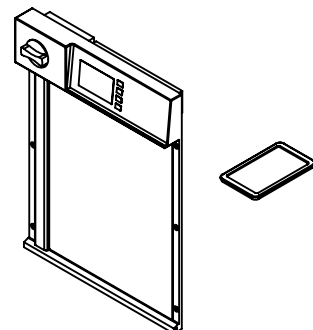
6157 FLASHING-A4M06157
(x1) 1 1/8"x2 7/8"x55 1/2" (29x73x1410)



6233 ROOF END TRIM-A4M06233
(x2) 13/16"x1 15/16"x36 3/4" (21x49x933)



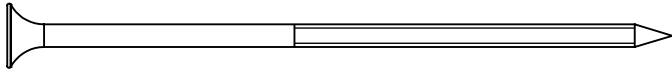
2627 HASP LOCK-A4M02627
(x1) 11/16"x1 9/16"x2 15/16" (17x40x74)



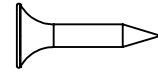
247 CHICKEN COOP DOOR W/ SOLAR PANEL-9240247
(x1)

OWNER'S MANUAL - PARTS IDENTIFICATION

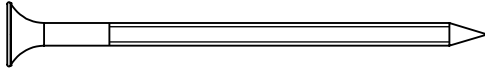
WOOD COMPONENTS (NOT TO SCALE)



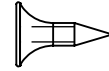
H101109 SCREW PFH BLK
(x16) 8x3-1/2



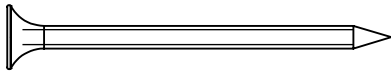
H100395 SCREW PFH BLK
(x8) 8x3/4



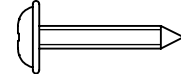
H100201 SCREW PFH BLK
(x21) 8x2-1/2



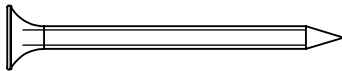
H100203 SCREW PFH BLK
(x2) 8x1/2



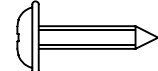
H100391 SCREW PFH BLK
(x137) 8x2



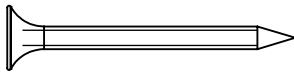
H100392 SCREW PWH BLK
(x170) 8x3/4



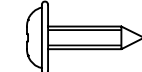
H100382 SCREW PFH BLK
(x26) 8x1-3/4



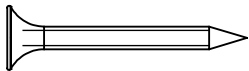
H100202 SCREW PWH BLK
(x11) 8x5/8



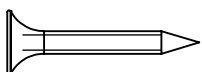
H100200 SCREW PFH BLK
(x204) 8x1-1/2



H100408 SCREW PWH BLK
(x11) 8x1/2



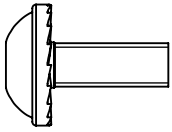
H100387 SCREW PFH BLK
(x67) 8x1-1/4



H100385 SCREW PFH BLK
(x43) 8x1

OWNER'S MANUAL - PARTS IDENTIFICATION

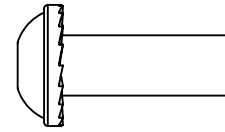
WOOD COMPONENTS (NOT TO SCALE)



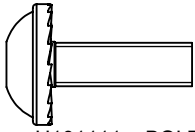
H100486 BOLT WH BLK
(x8) 1/4x5/8



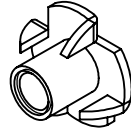
H100804 T-NUT 8/32
(x47)



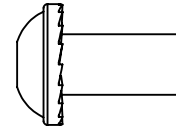
H100399 NUT BARREL WH BLK
(x16) 1/4x7/8



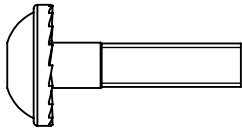
H101111 BOLT WH BLK
(x2) 1/4x3/4



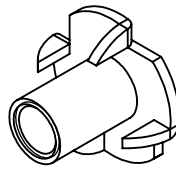
H100398 T-NUT BLK
(x8) 1/4



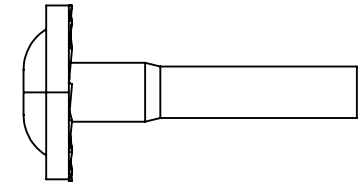
H100404 NUT BARREL WH BLK
(x2) 1/4x5/8



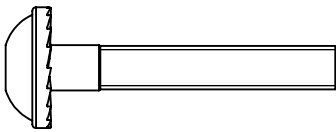
H100171 BOLT WH BLK
(x8) 1/4x1



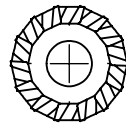
H100379 T-NUT BLK
(x20) 5/16



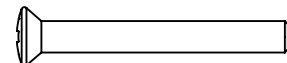
H100407 BOLT WH 5/16x1 1/2 BLK
(x10)



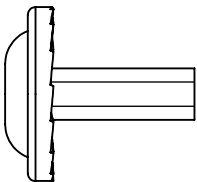
H100406 BOLT WH BLK
(x8) 1/4x1-1/2



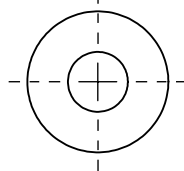
H100405 WASHER LOCK EXT BLK
(x14) 6x15



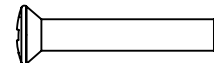
H101077 SCREW POH-MS 8/32x1 3/8 BLK
(x4)



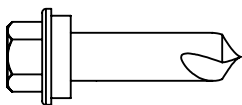
H100663 BOLT WH BLK
(x20) 5/16x3/4



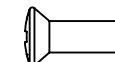
H100630 WASHER FLAT BLK
(x10) 8x19



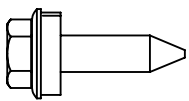
H100807 SCREW POH-MS 8/32x1 BLK
(x34)



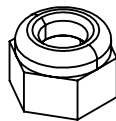
H101116 SCREW SELF TAPPING 1/4x1 BLK
(x47) 1/4 x 1



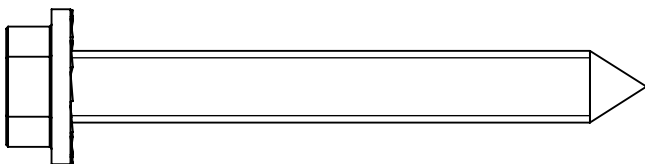
H101401 SCREW POH-MS 8/32x1/2" BLK
(x9)



H101117 SCREW WOODGRIP
(x84) 10x3/4



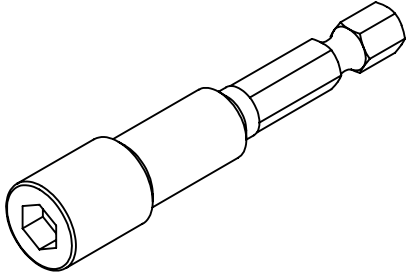
H100479 LOCK NUT BLK
(x10) 5/16



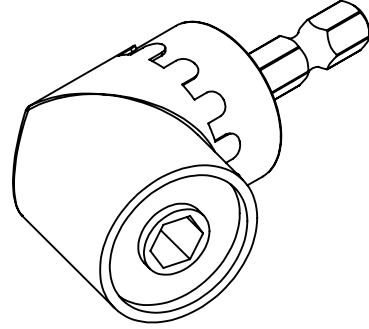
H101165 CONCRETE ANCHOR 3/8"x3" BLK
(x4) 3/8x3

OWNER'S MANUAL - PARTS IDENTIFICATION

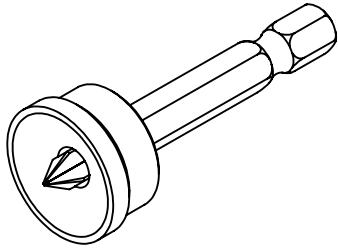
WOOD COMPONENTS (NOT TO SCALE)



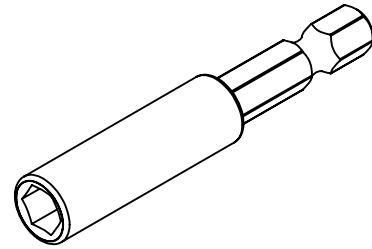
H101106 HEX DRIVER
(x1) 5/16



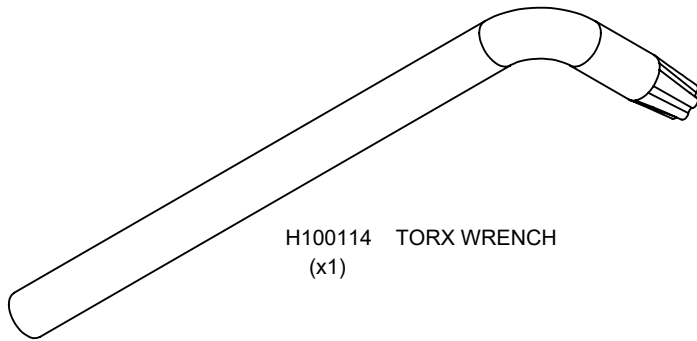
H101114 RIGHT ANGLE DRILL ADAPTER
(x1)



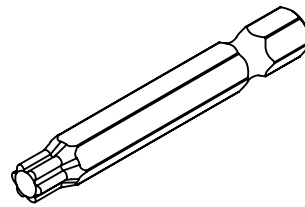
H100764 SCREW SETTER
(x1)



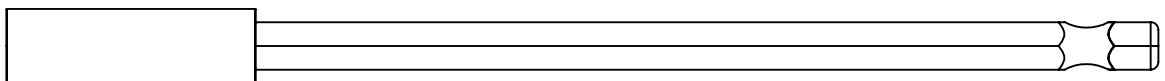
H101100 MAGNETIC DRIVER
(x1)



H100114 TORX WRENCH
(x1)



H100147 TORX BIT - T30
(x1) T-30



H101278 6" MAGNETIC DRIVER EXTENSION
(x1)

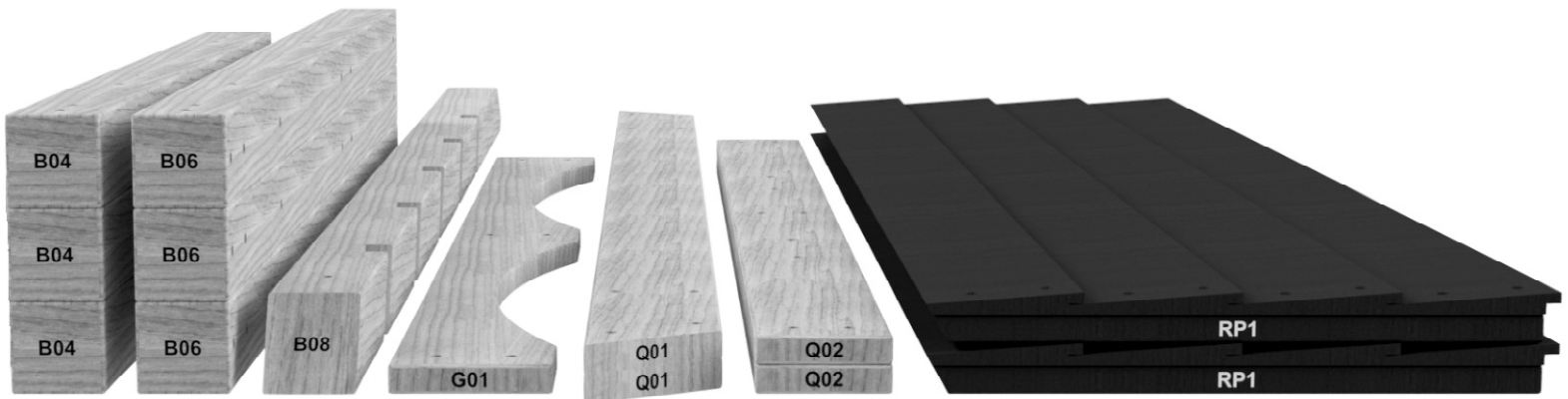
PRE-ASSEMBLY STEP 1 - SORTING PARTS

It is critical for ease of assembly that you take the time to sort and organize the wood and hardware.

WOOD PARTS:

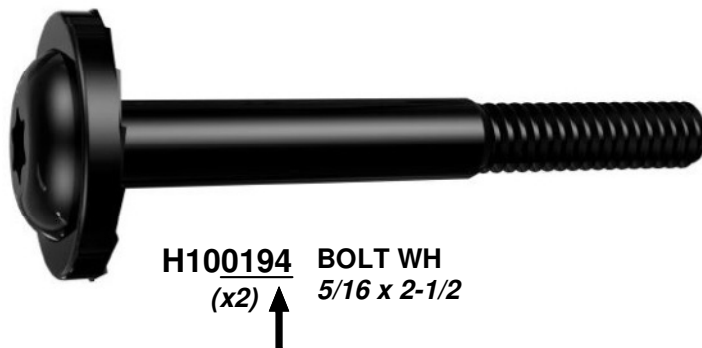
- Organize wood parts by the three-digit, alpha-numeric number stamped on each board (ex. P01).
- If there are multiple boards with the same stamped number, stack those pieces together.
- Stamps can be found on the flat surface of the boards or on the end of the boards.
- Allow yourself plenty of room - the wood pieces can take up a significant amount of space.

NOTE: CARTONS ARE NOT ORGANIZED BY BOARD NUMBER.



HARDWARE PARTS:

- We recommend that you have a separate table to organize the hardware.
- Hardware bags are printed with a seven-digit, alpha-numeric part number.
- You can organize your hardware by part number or group by hardware type (i.e. bolts, nuts, etc.).
- During assembly you only need to reference the last four digits of the number.



PRE-ASSEMBLY STEP 2 - TOOLS REQUIRED



**Cordless Drill or
Electric Drill**



**Drill Attachments:
Phillips Head**



**1/8", 3/16", 1/4", 3/8" &
7/16" Drill Bits**



Phillips Screw Driver



Open End Wrenches 1/2" & 9/16"



**3/8" Drive Ratchet, 1/2" &
9/16" STD Sockets 1/2" & 9/16" Deep
Sockets**



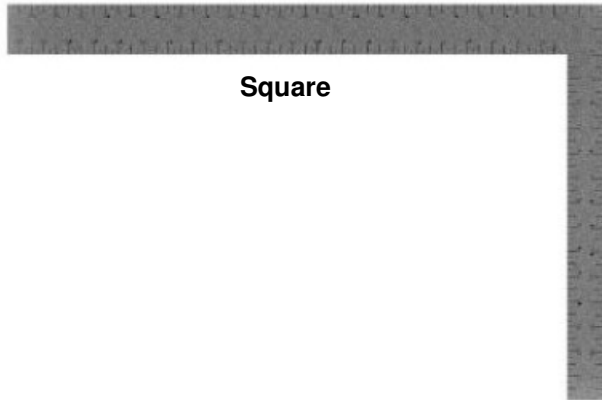
Claw Hammer



Rubber Mallet - Optional



Tape Measure



Square




Level 24"


PRE-ASSEMBLY STEP 3 - CHOOSE YOUR ASSEMBLY METHOD

There are several types of assembly instructions available to you.

1. Printed Assembly Manual included with your set
2. BILT APP - 3D interactive instructions
3. Combination of the Printed Manual and BILT APP (Note: Step numbers can differ between the two methods)



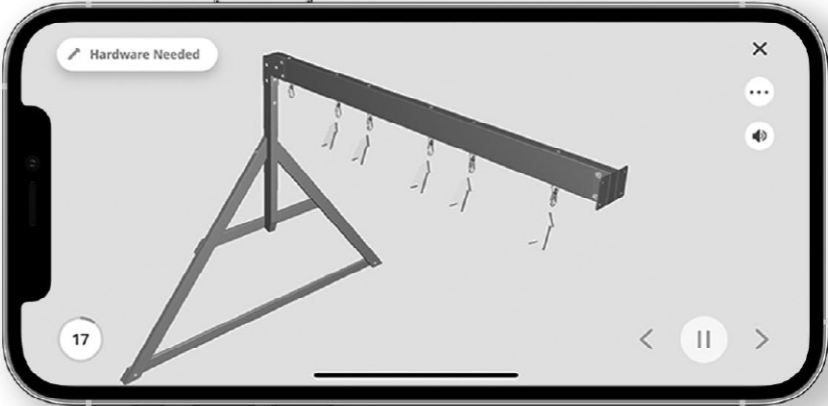


SCAN FOR **BILT**. 3D INSTRUCTIONS



POWERED BY **BILT INTELLIGENT INSTRUCTIONS**®

**Scan for easy
3D instructions**

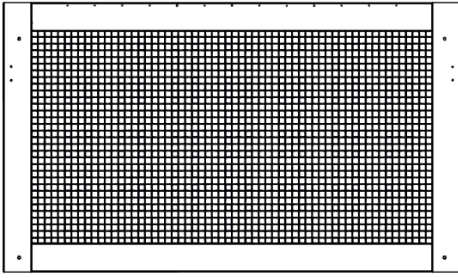
Download the BILT app
before you begin



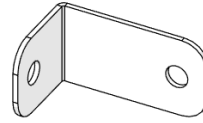
The image shows a smartphone screen displaying a 3D assembly instruction. At the top left of the screen, there is a button labeled "Hardware Needed". The main content is a 3D model of a metal frame structure. At the bottom left of the screen, the number "17" is displayed in a white circle. At the bottom right, there are navigation icons: a back arrow, a pause button, and a forward arrow. The smartphone is shown with a slight shadow, giving it a 3D appearance.

STEP 1 - CHICKEN COOP ASSEMBLY

QTY	PART NUMBER	DESCRIPTION
4	H100399	NUT BARREL WH 1/4X7/8 BLK
2	H100405	WASHER LOCK EXT 6x15
4	H100486	BOLT WH 1/4x5/8 BLK

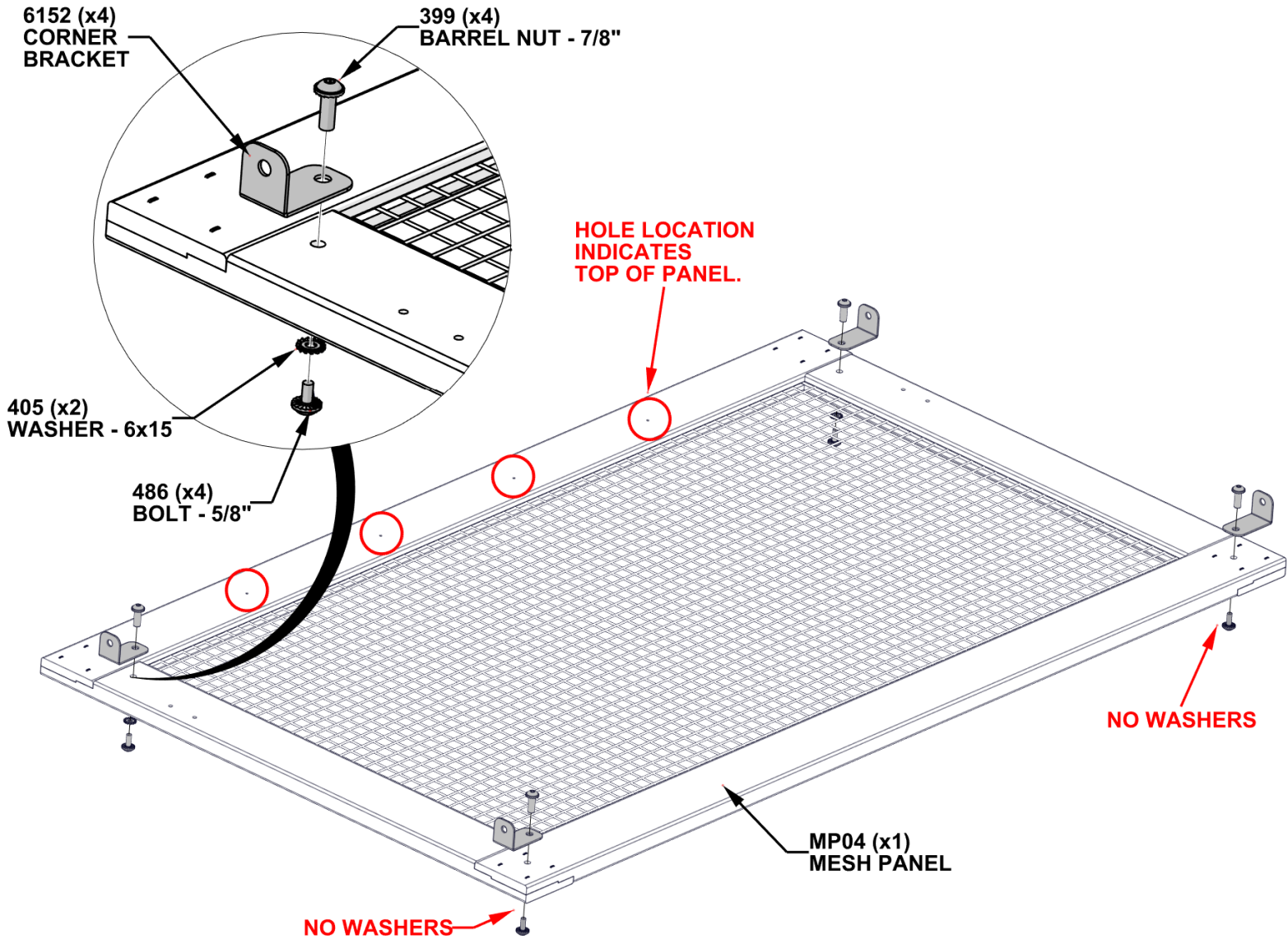


MP04 MESH PANEL - W2A04984
(x1) 15/16"x31 11/16"x53 7/8" (24x805x1368)



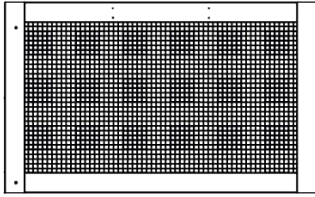
A4M06152 CORNER BRACKET
(x4)

- **HAND TIGHTEN ONLY.**
- NOTE ORIENTATION OF BRACKET.

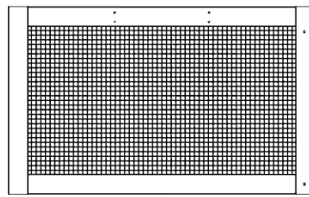


STEP 2 - CHICKEN COOP ASSEMBLY

QTY	PART NUMBER	DESCRIPTION
4	H100399	NUT BARREL WH 1/4X7/8 BLK
4	H100405	WASHER LOCK EXT 6x15
4	H100486	BOLT WH 1/4x5/8 BLK

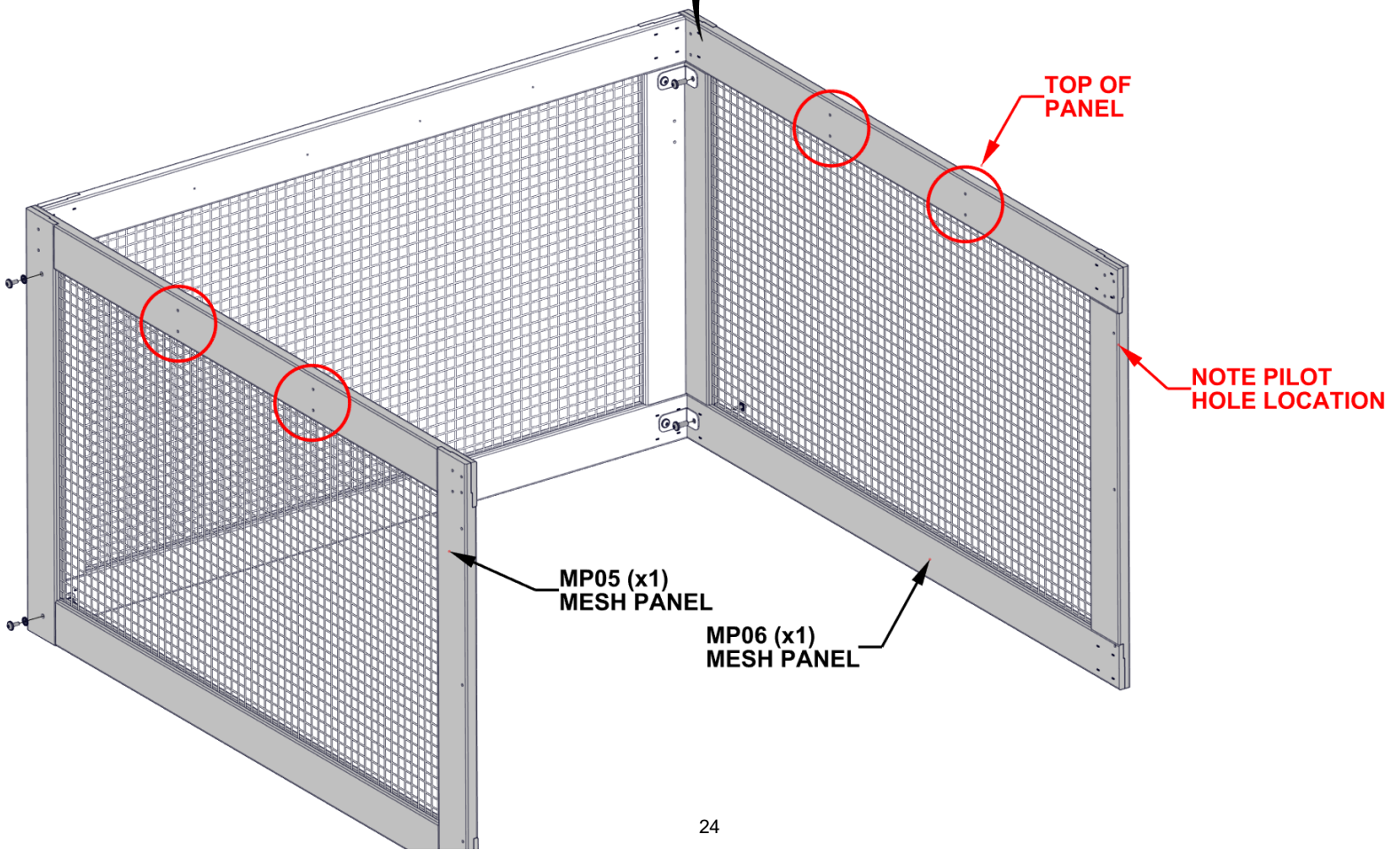
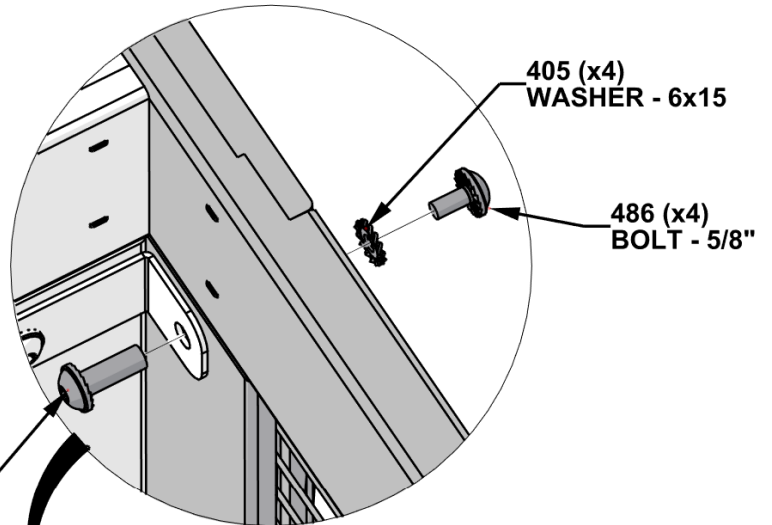


MP05 MESH PANEL - W2A04985
(x1) 15/16"x31 11/16"x51 15/16" (24x805x1320)



MP06 MESH PANEL - W2A04992
(x1) 15/16"x51 15/16"x31 11/16" (24x1320x805)

- **HAND TIGHTEN ONLY.**
- NOTE ORIENTATION OF PANELS.



STEP 3 - CHICKEN COOP ASSEMBLY

QTY	PART NUMBER	DESCRIPTION
16	H100391	SCREW PFH 8x2 BLK

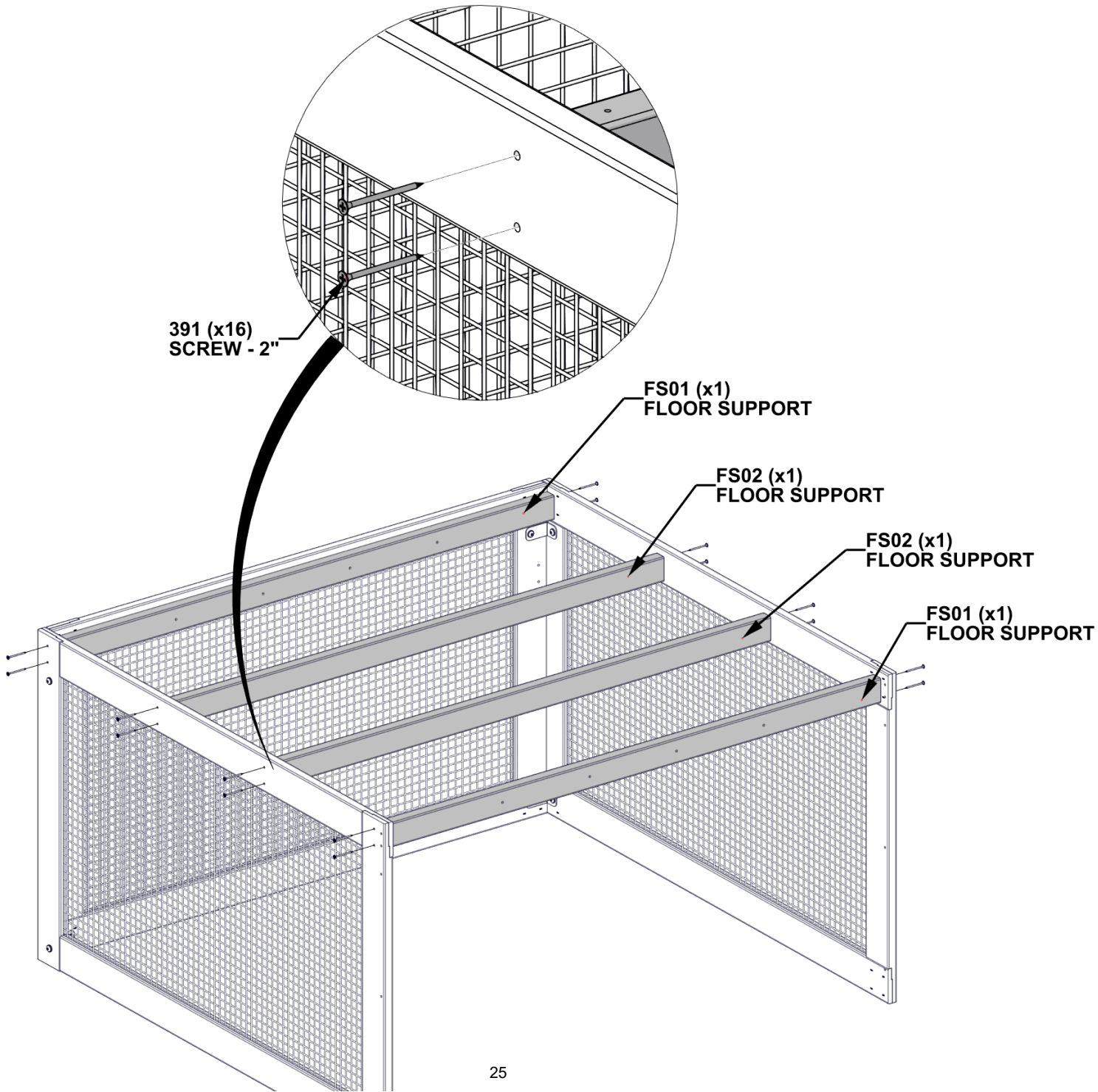


FS01 FLOOR SUPPORT - W4L21619
(x2) 1 3/16"x2 3/8"x53 7/8" (30x60x1368)



FS02 FLOOR SUPPORT - W4L21618
(x2) 1 3/16"x2 3/8"x53 7/8" (30x60x1368)

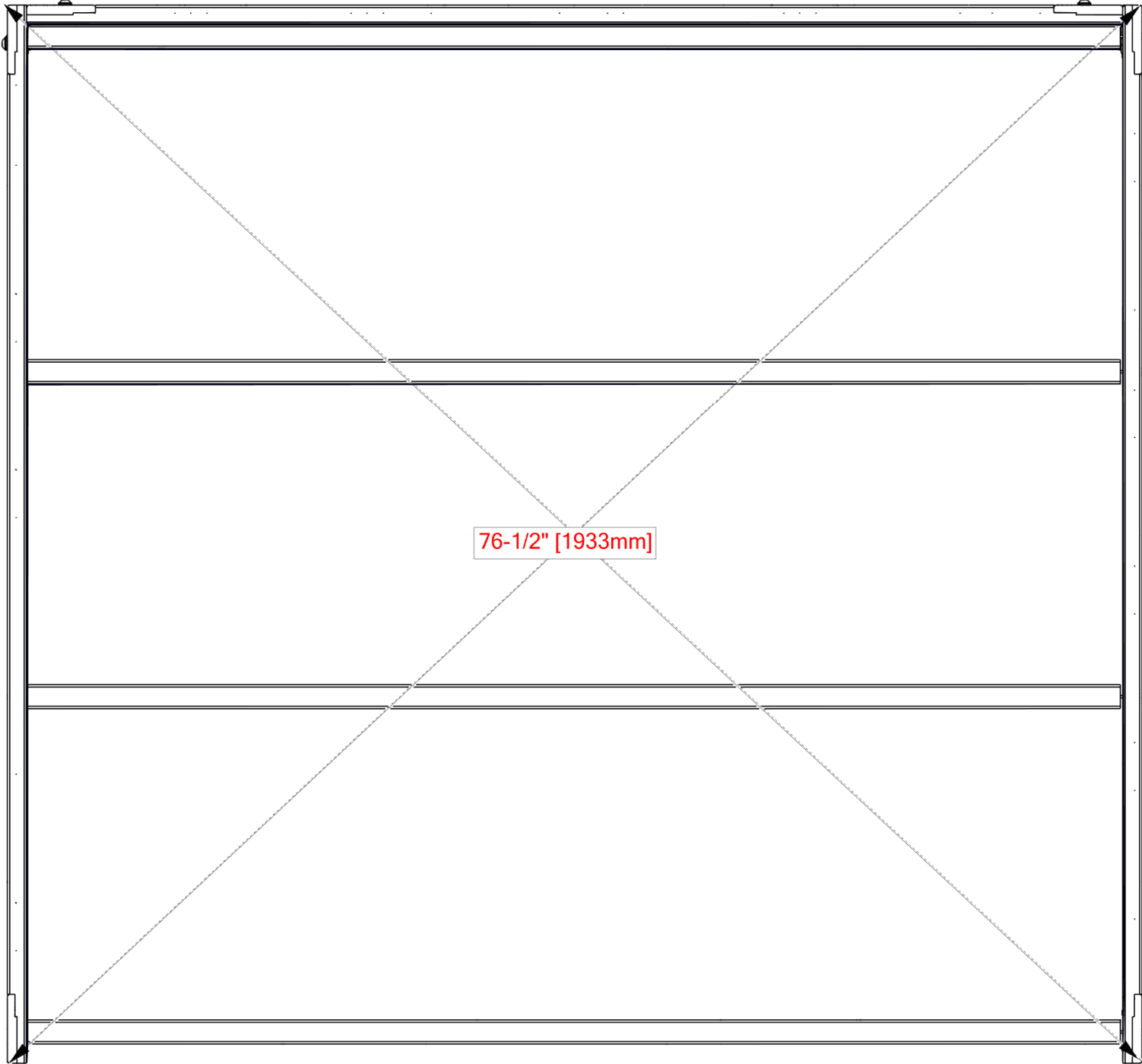
- FULLY TIGHTEN ALL HARDWARE.



STEP 4 - CHICKEN COOP ASSEMBLY

- CRITICAL:**
- SQUARE UNIT BEFORE PROCEEDING TO NEXT STEPS.
 - THE BELOW DIMENSIONS ARE CRITICAL TO THE FINAL ASSEMBLY.
 - MEASUREMENTS SHOULD BE WITHIN +/- 1/4" (6mm).
 - MEASUREMENTS OUTSIDE OF TOLERANCE WILL LEAD TO ISSUES ON FUTURE ASSEMBLY STEPS.
 - AFTER UNIT HAS BEEN SQUARED, VERIFY ALL HARDWARE IS TIGHTEN.

BACK SIDE



STEP 5 - CHICKEN COOP ASSEMBLY

QTY	PART NUMBER	DESCRIPTION
18	H100391	SCREW PFH 8x2 BLK

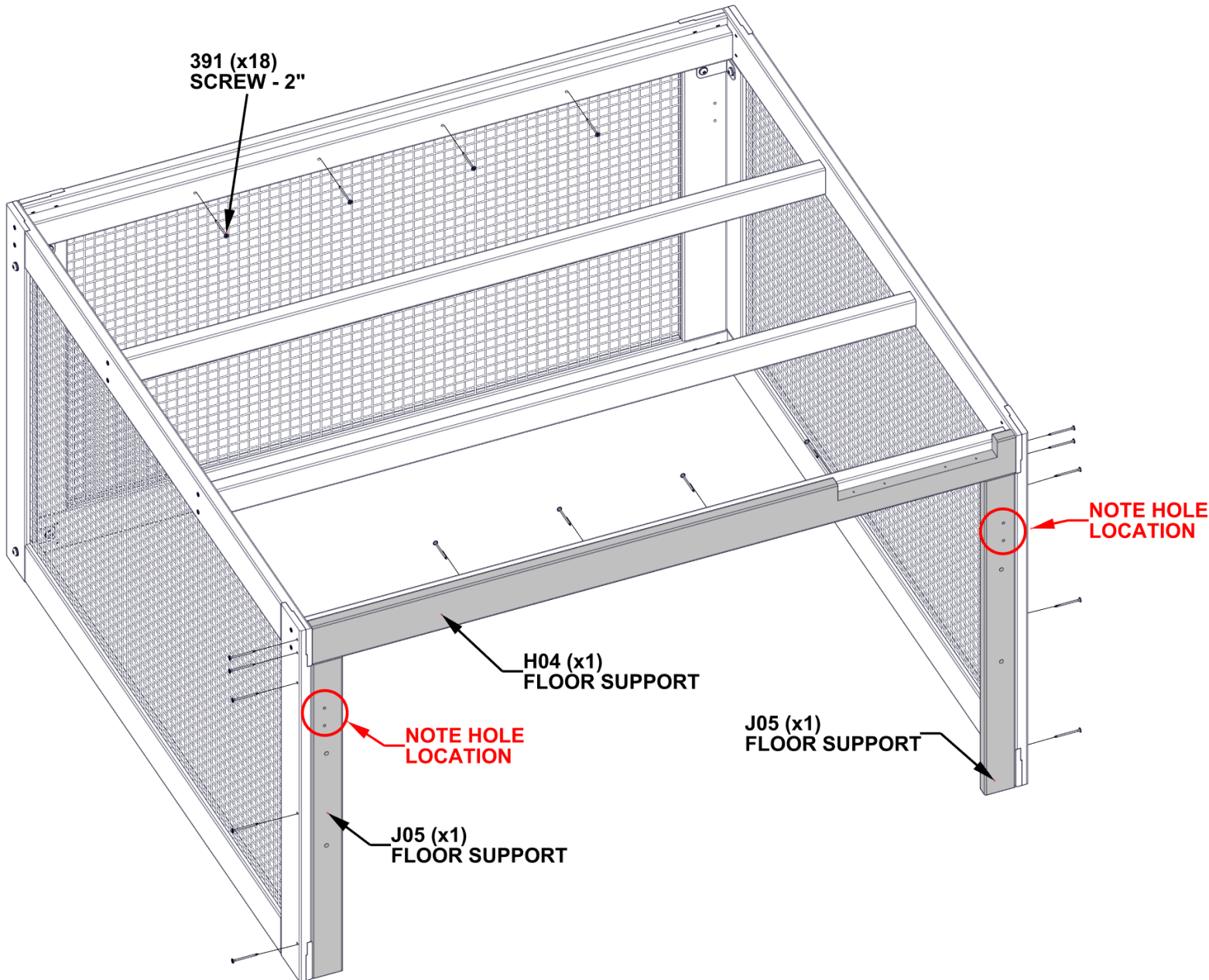


J05 FLOOR SUPPORT - W4L21622
(x2) 15/16"x2 3/8"x28 5/16" (24x60x719)



H04 FLOOR SUPPORT - W4L21620
(x1) 15/16"x3 3/8"x53 7/8" (24x86x1368)

- NOTE ORIENTATION OF J05 BOARD.
- ALIGN PILOT HOLES.



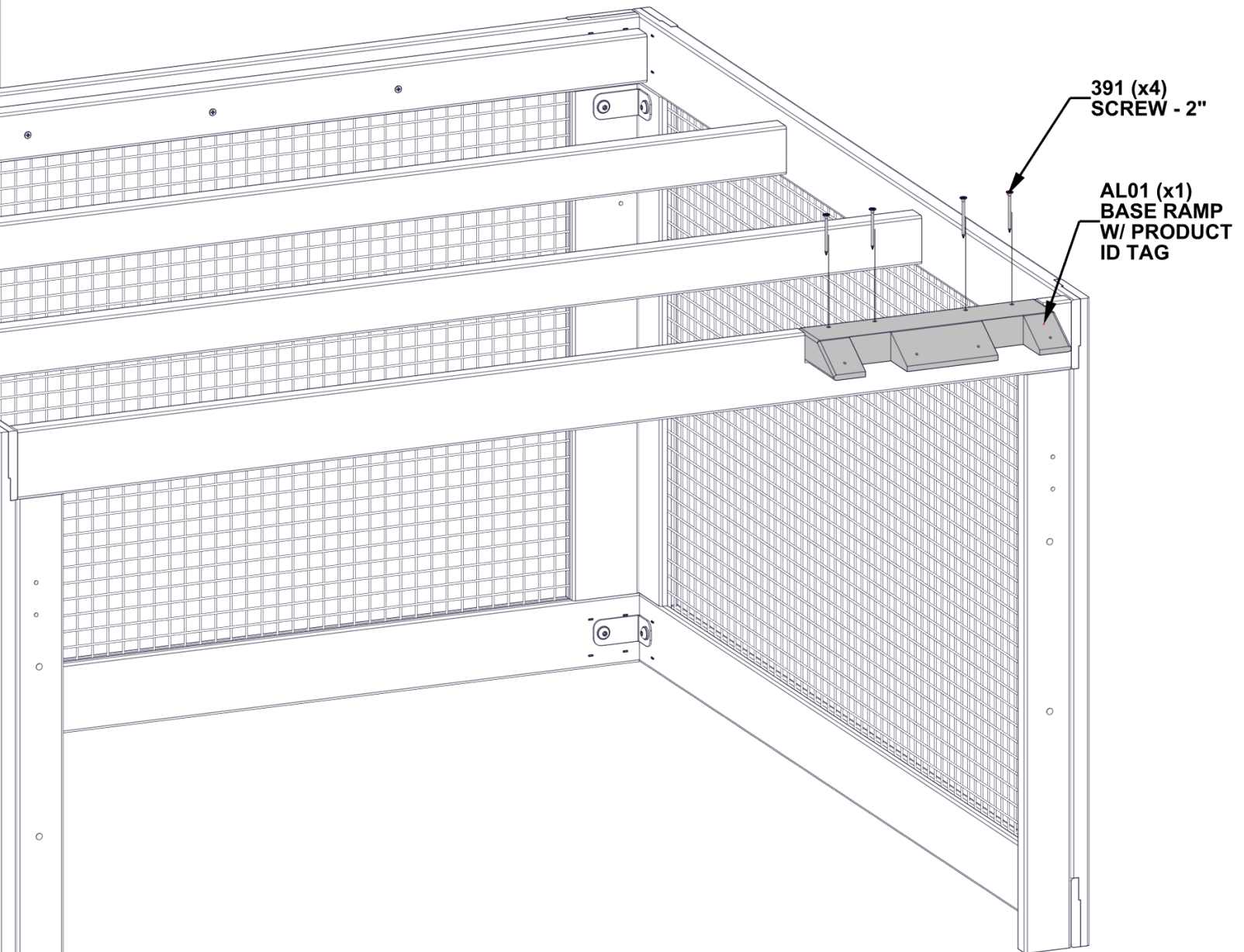
STEP 6 - CHICKEN COOP ASSEMBLY

QTY	PART NUMBER	DESCRIPTION
4	H100391	SCREW PFH 8x2 BLK



AL01 BASE RAMP W/ PRODUCT ID TAG - W2A05123
(x1) 1 7/16"x4 5/16"x12 1/8" (36x109x308)

- ALIGN PILOT HOLES.



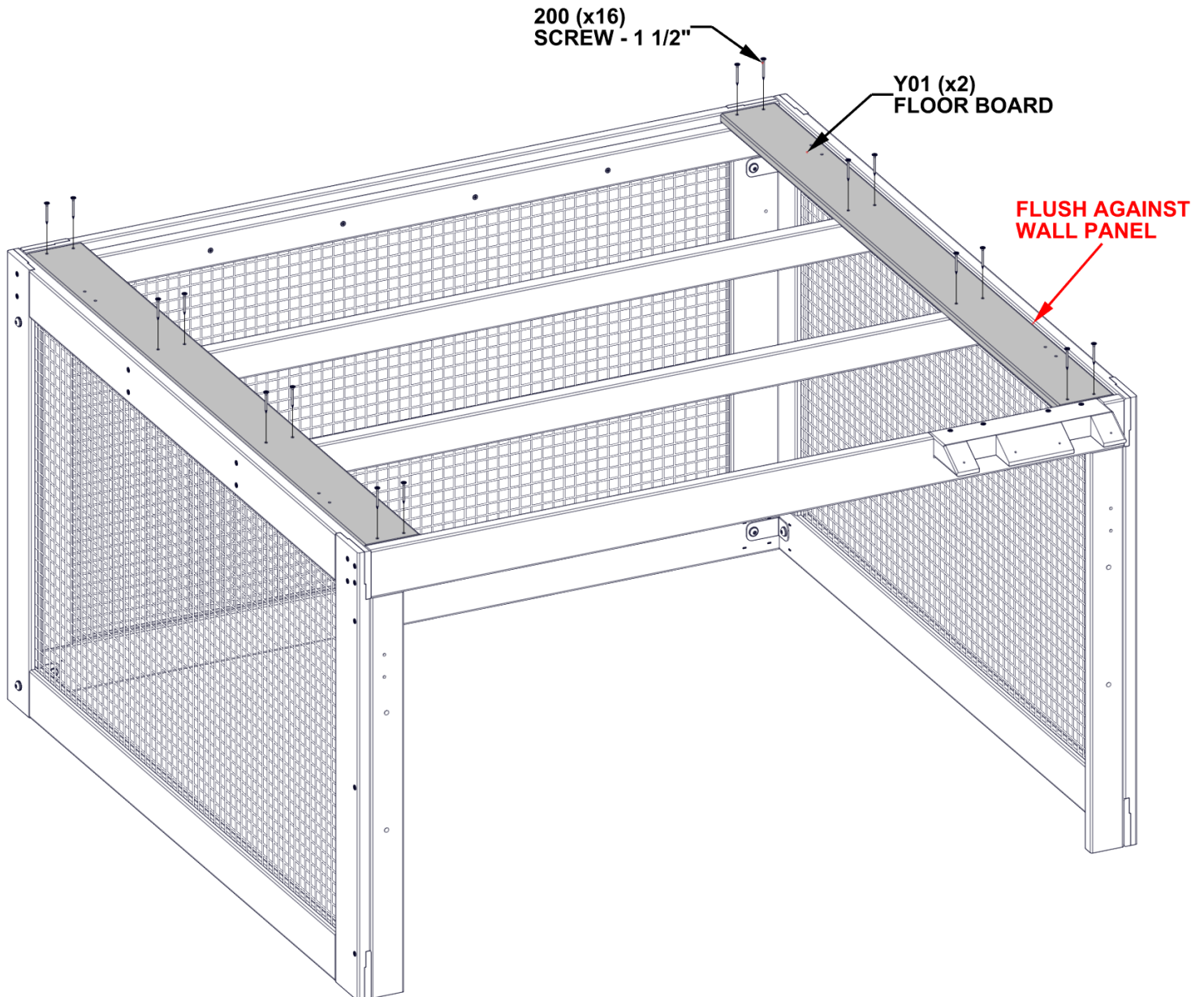
STEP 7 - CHICKEN COOP ASSEMBLY

QTY	PART NUMBER	DESCRIPTION
16	H100200	SCREW PFH 8x1 1/2 BLK



Y01 FLOOR BOARD - W4L22566
(x2) 5/8"x4"x50" (16x101x1270)

- NOTE ORIENTATION OF Y01 FLOOR BOARD.
- FLUSH BOARD AGAINST WALL PANEL.



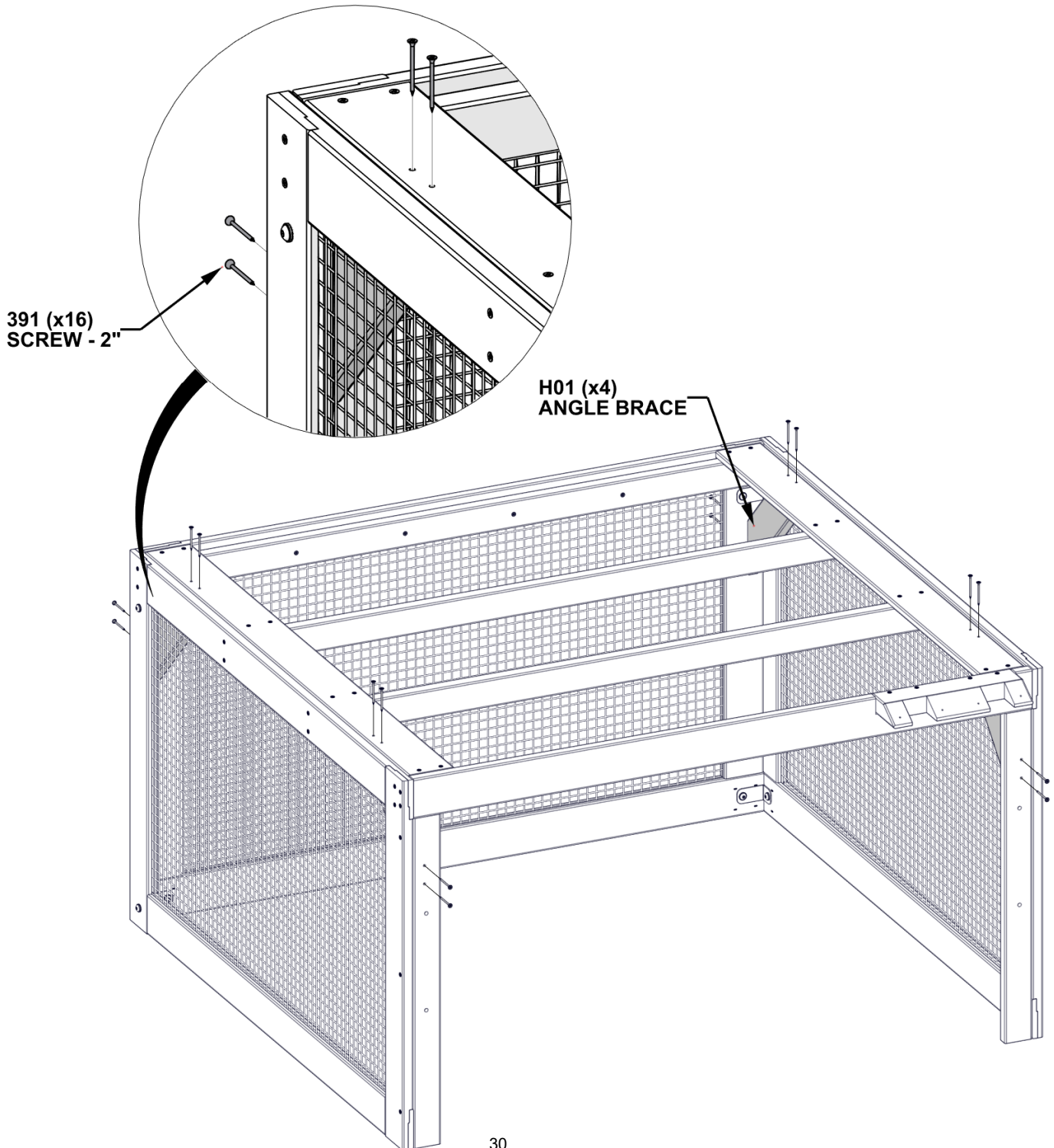
STEP 8 - CHICKEN COOP ASSEMBLY

QTY	PART NUMBER	DESCRIPTION
16	H100391	SCREW PFH 8x2 BLK



H01 ANGLE BRACE - W4L21621
(x4) 15/16"x3 3/8"x14 7/8" (24x86x378)

- ALIGN PILOT HOLES.



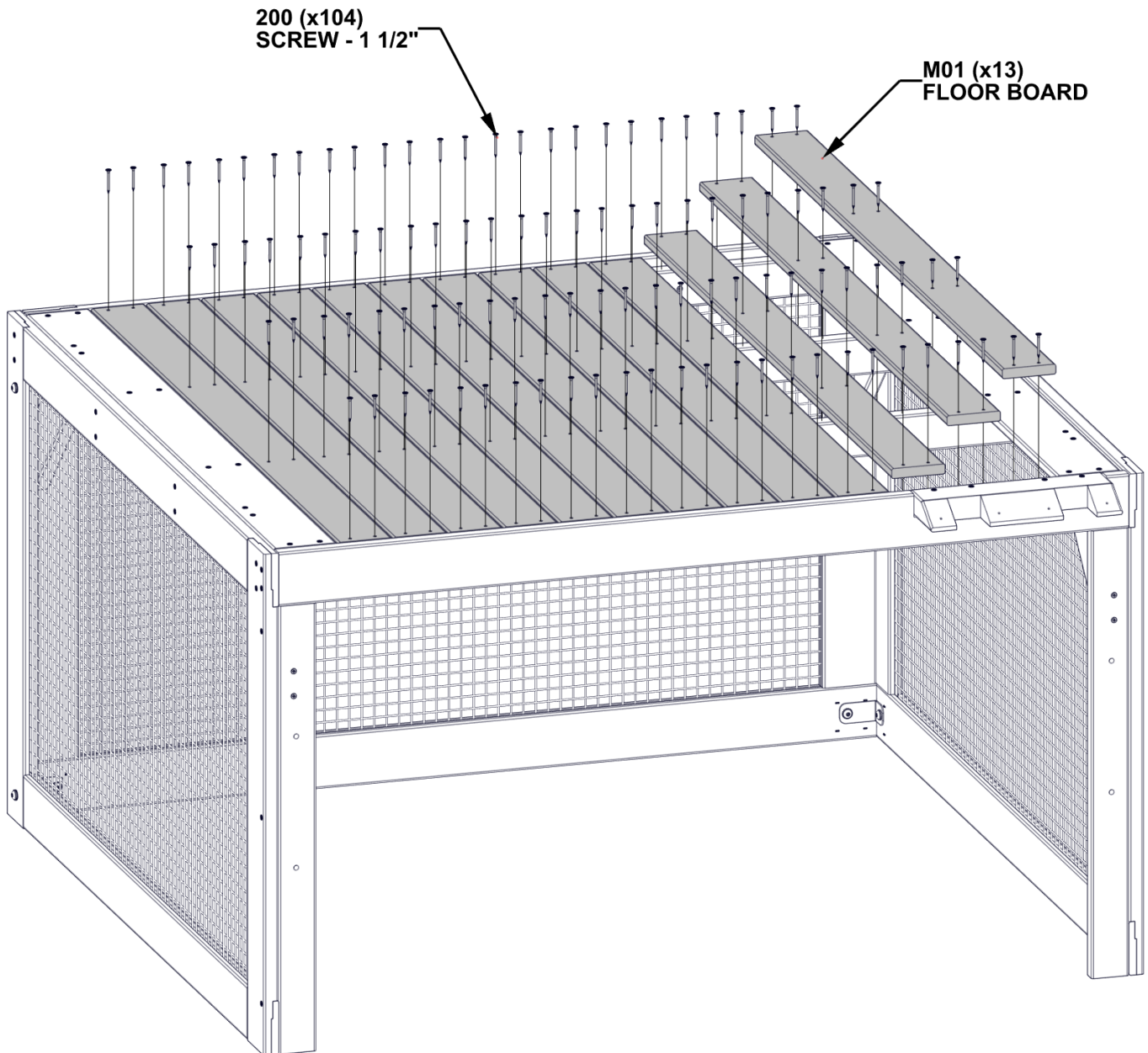
STEP 9 - CHICKEN COOP ASSEMBLY

QTY	PART NUMBER	DESCRIPTION
104	H100200	SCREW PFH 8x1 1/2 BLK

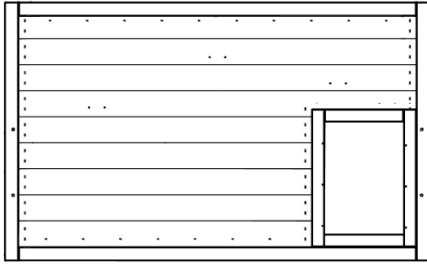


M01 FLOOR BOARD - W4L21624
(x13) 5/8"x3 3/8"x50" (16x86x1270)

- EVENLY SPACE FLOOR BOARDS AND ATTACH.



STEP 10A - CHICKEN COOP ASSEMBLY



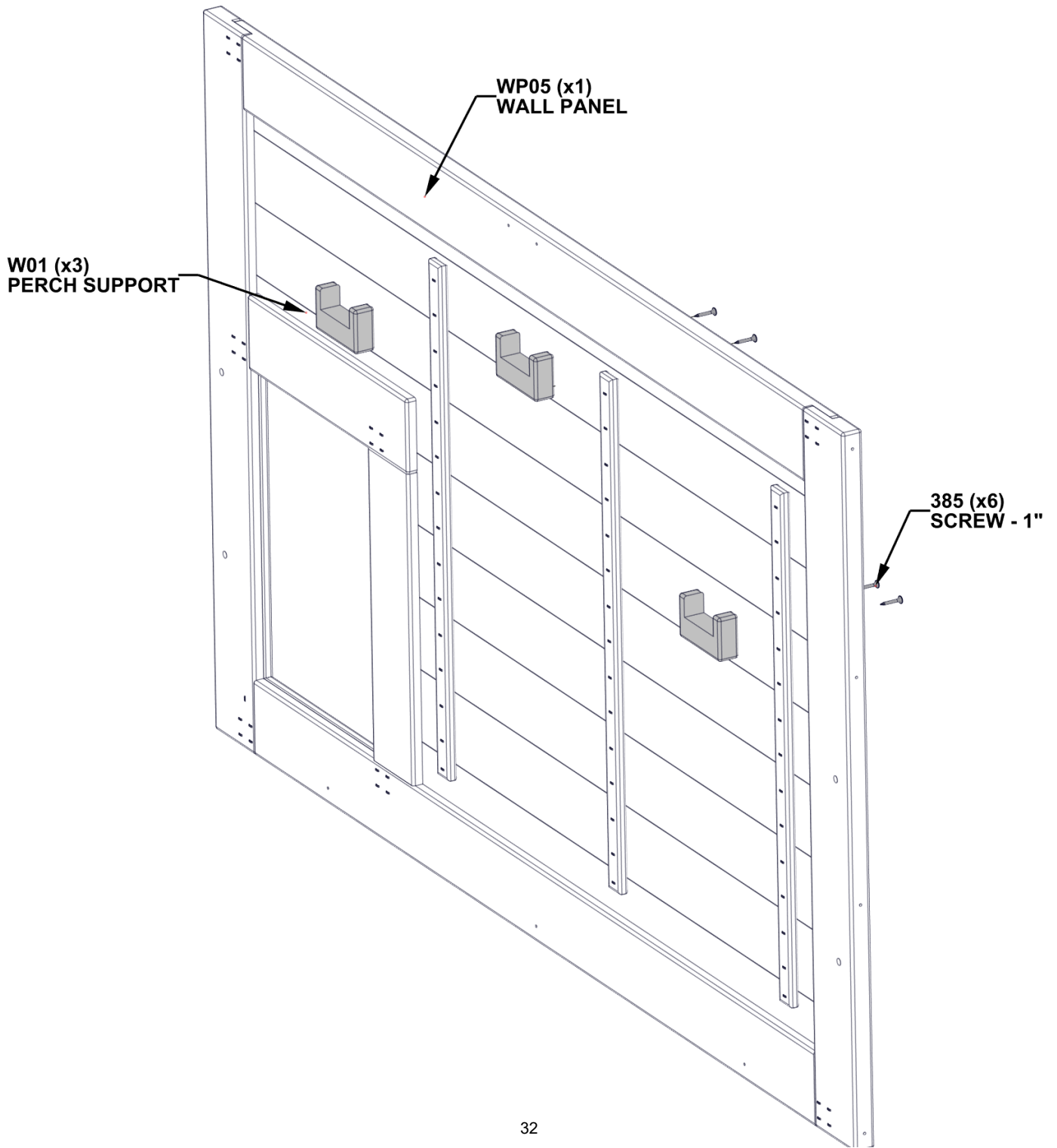
WP05 WALL PANEL - W2A04673
(x1) 15/16"x32 11/16"x53 7/8" (24x831x1368)

QTY	PART NUMBER	DESCRIPTION
6	H100385	SCREW PFH 8x1 BLK



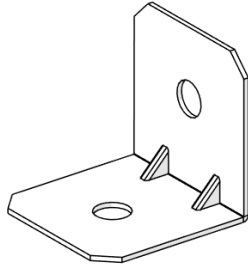
W01 PERCH SUPPORT - W4L22595
(x3) 15/16"x1 15/16"x3 3/8" (24x50x86)

- NOTE ORIENTATION OF SB01 PERCH BOARD.



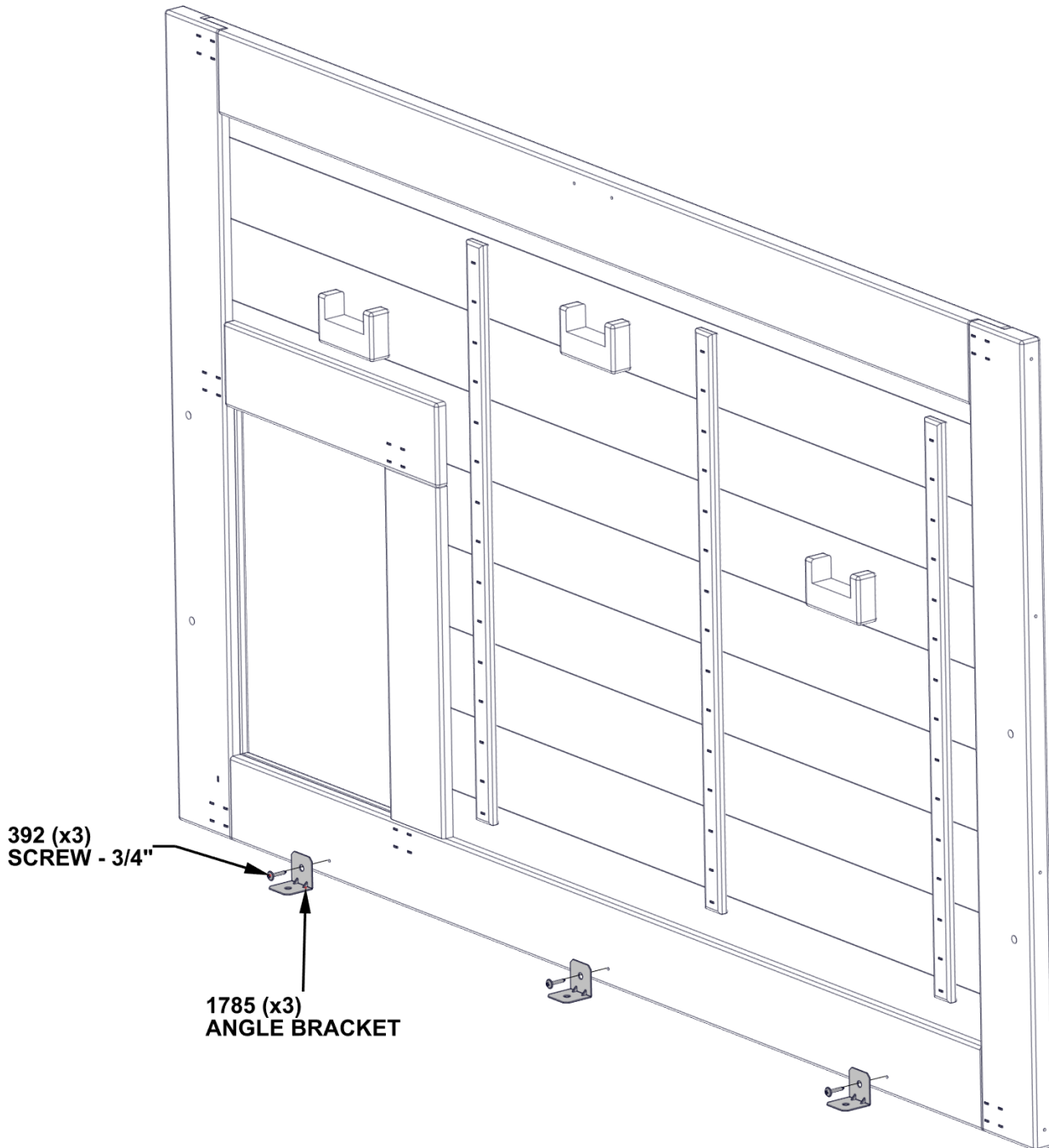
STEP 10B - CHICKEN COOP ASSEMBLY

QTY	PART NUMBER	DESCRIPTION
3	H100392	SCREW PWH 8x3/4 BLK

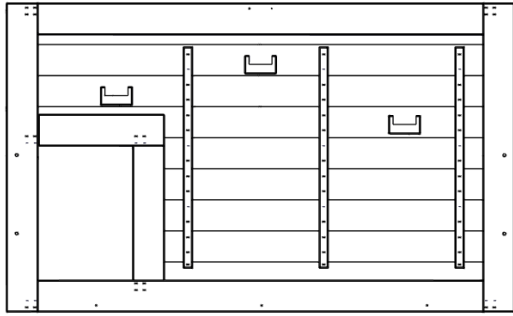


A4M01785 ANGLE BRACKET
(x3)

- ALIGN PILOT HOLES.

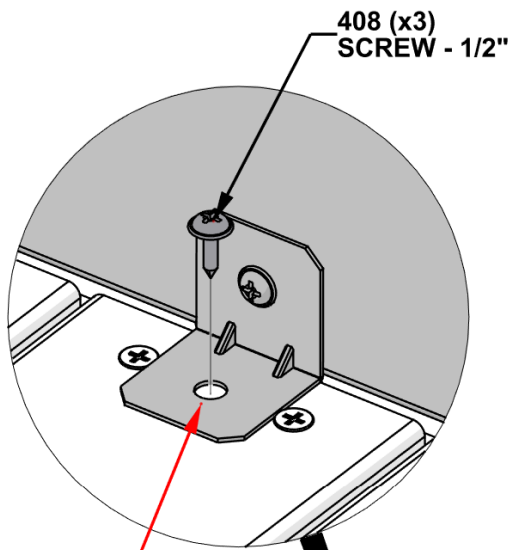


STEP 11 - CHICKEN COOP ASSEMBLY

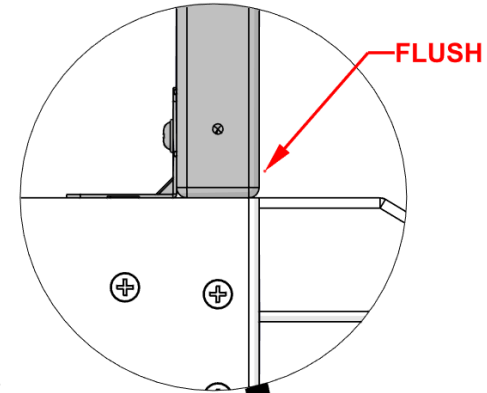


WP05 WALL PANEL - STEP 10

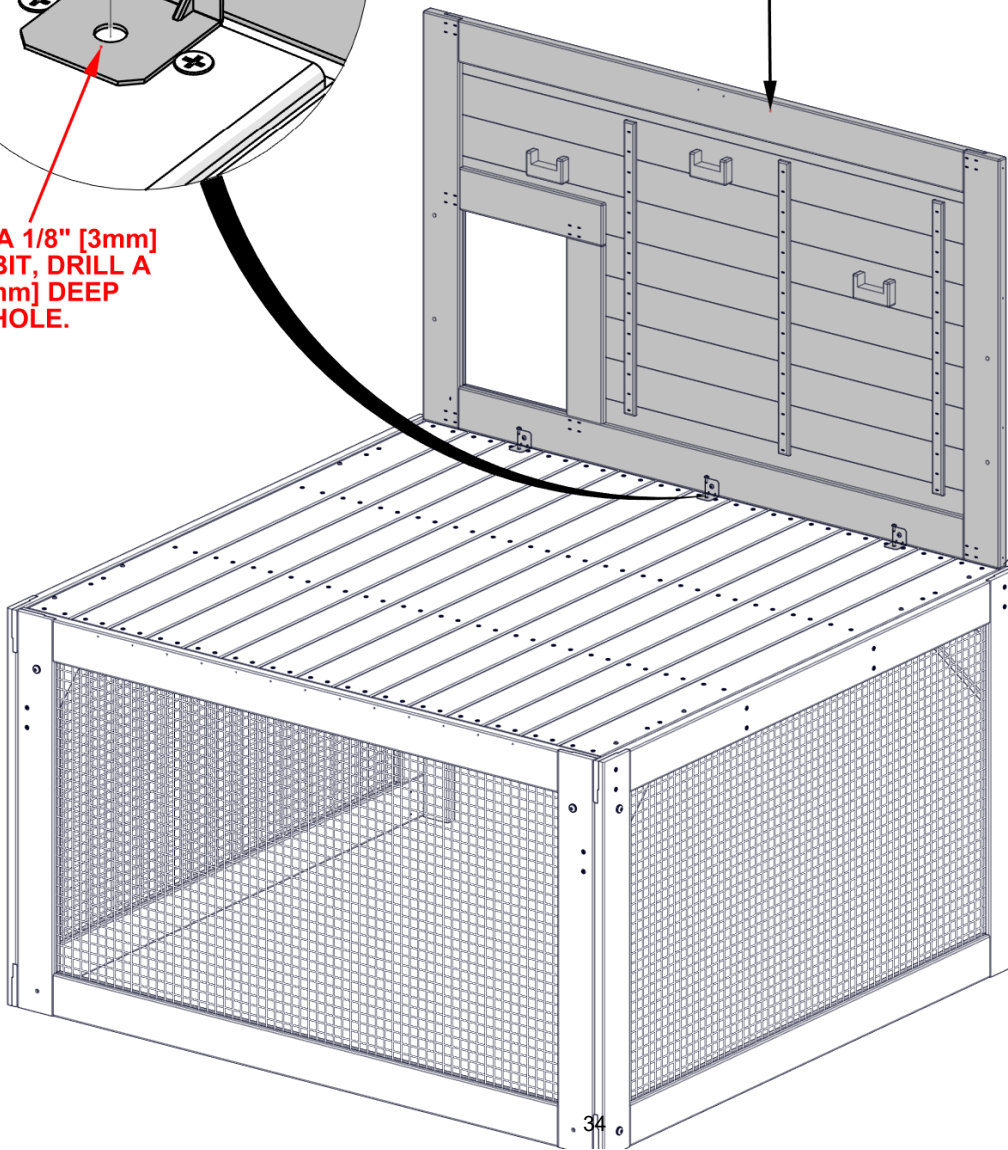
QTY	PART NUMBER	DESCRIPTION
3	H100408	SCREW PWH 8x1/2 BLK



USING A 1/8" [3mm] DRILL BIT, DRILL A 1/8" [3mm] DEEP PILOT HOLE.

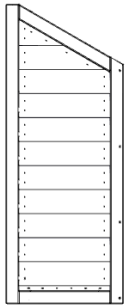


WP05 WALL PANEL - STEP 10

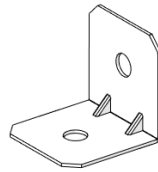


STEP 12 - CHICKEN COOP ASSEMBLY

QTY	PART NUMBER	DESCRIPTION
4	H100382	SCREW PFH 8x1 3/4 BLK
2	H100392	SCREW PWH 8x3/4 BLK
2	H100408	SCREW PWH 8x1/2 BLK

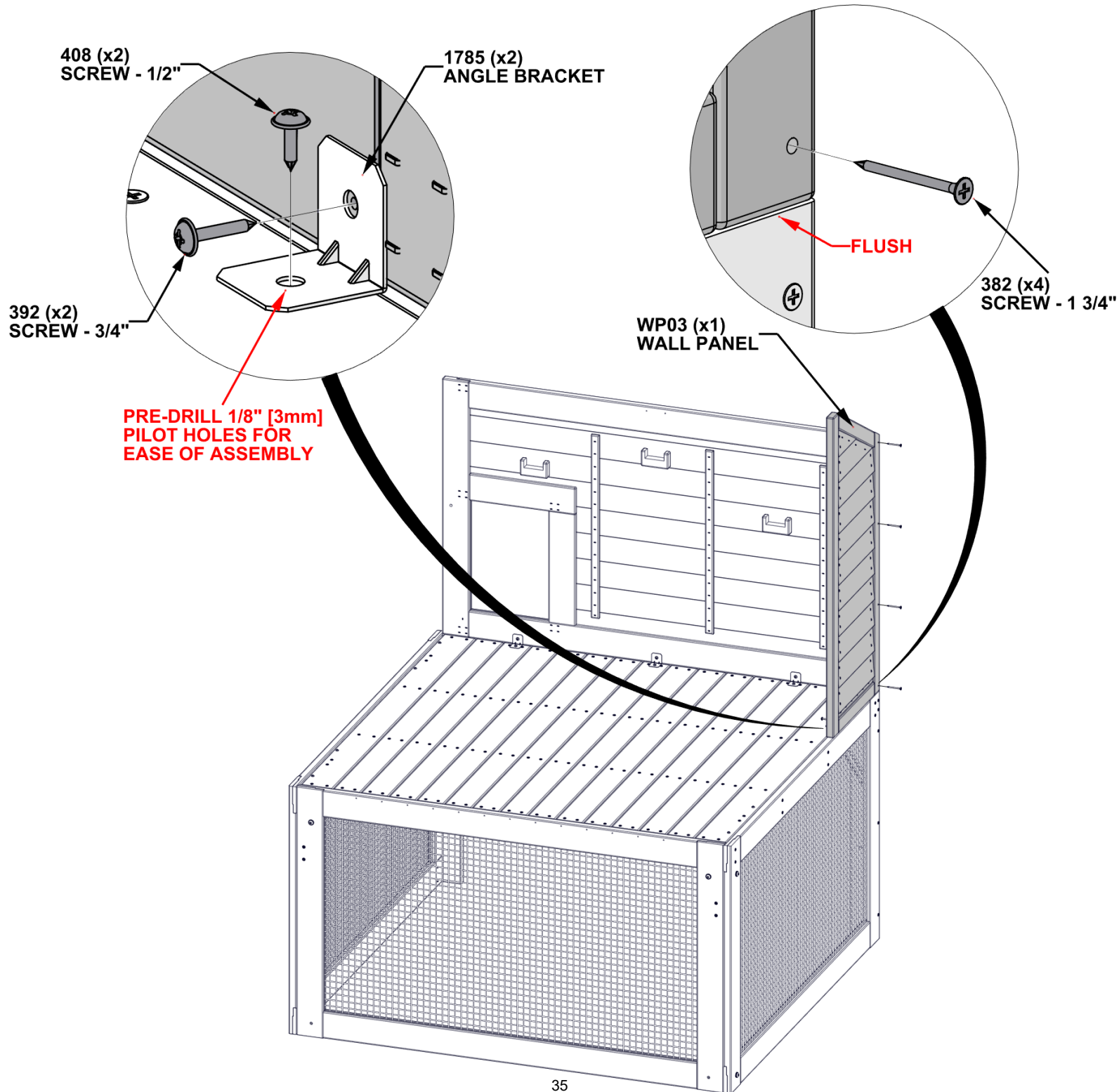


WP03 WALL PANEL - W2A04671
(x1) 15/16"x16 1/8"x41" (24x409x1041)

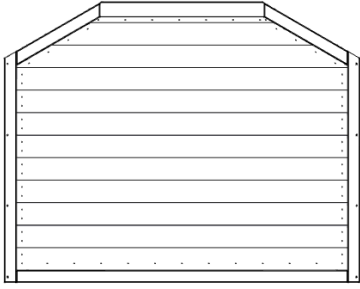


A4M01785 ANGLE BRACKET
(x2)

- ALIGN PILOT HOLES.

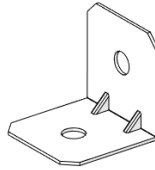


STEP 13A - CHICKEN COOP ASSEMBLY

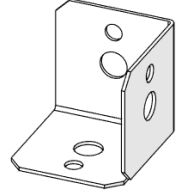


WP04 WALL PANEL - W2A04672
(x1) 15/16"x41"x51 15/16" (24x1041x1320)

QTY	PART NUMBER	DESCRIPTION
4	H100392	SCREW PWH 8x3/4 BLK

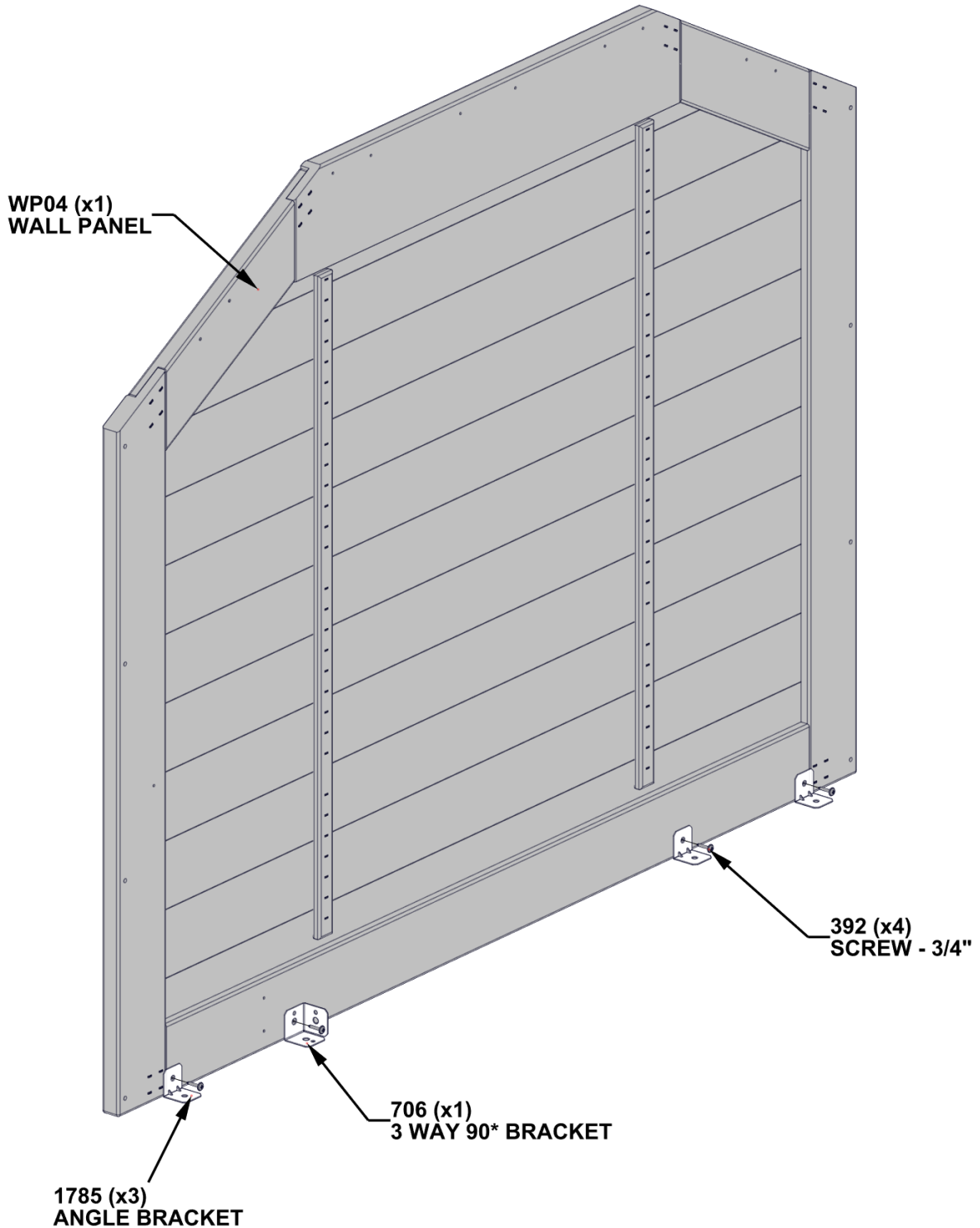


A4M01785 ANGLE BRACKET
(x3)



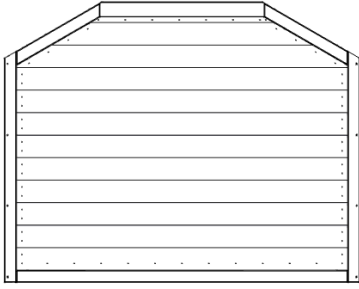
A4M00706 3 WAY 90° BRACKET
(x1)

- ALIGN PILOT HOLES.



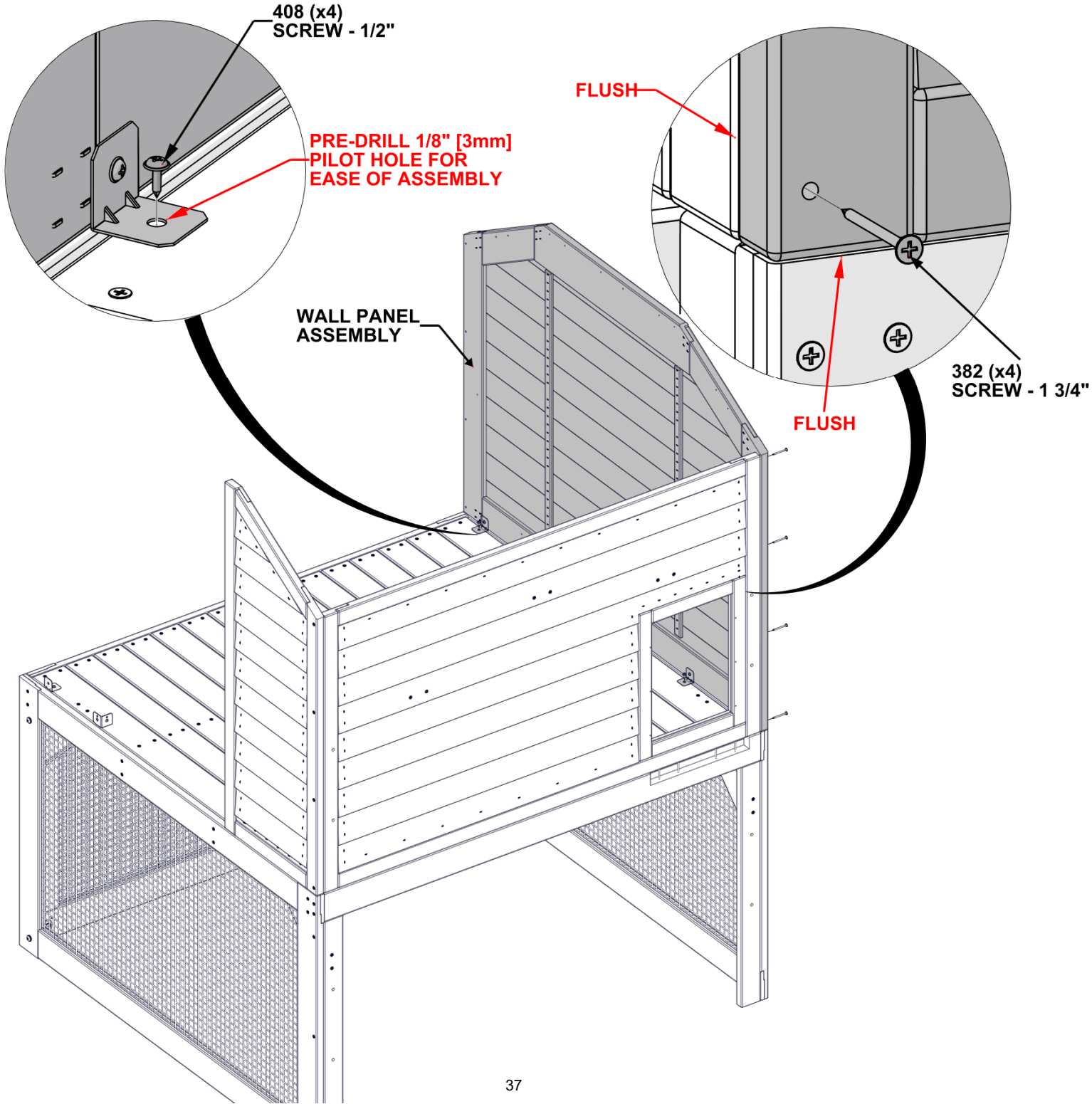
STEP 13B - CHICKEN COOP ASSEMBLY

QTY	PART NUMBER	DESCRIPTION
4	H100382	SCREW PFH 8x1 3/4 BLK
4	H100408	SCREW PWH 8x1/2 BLK



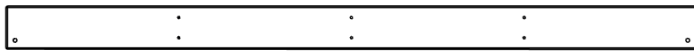
WALL PANEL ASSEMBLY - PREVIOUS STEP

- ALIGN PILOT HOLES.

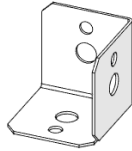


STEP 14 - CHICKEN COOP ASSEMBLY

QTY	PART NUMBER	DESCRIPTION
2	H100404	NUT BARREL WH 1/4X5/8 BLK
2	H100405	WASHER LOCK EXT 6x15
1	H100408	SCREW PWH 8x1/2 BLK
2	H101111	BOLT WH 1/4x3/4 BLK

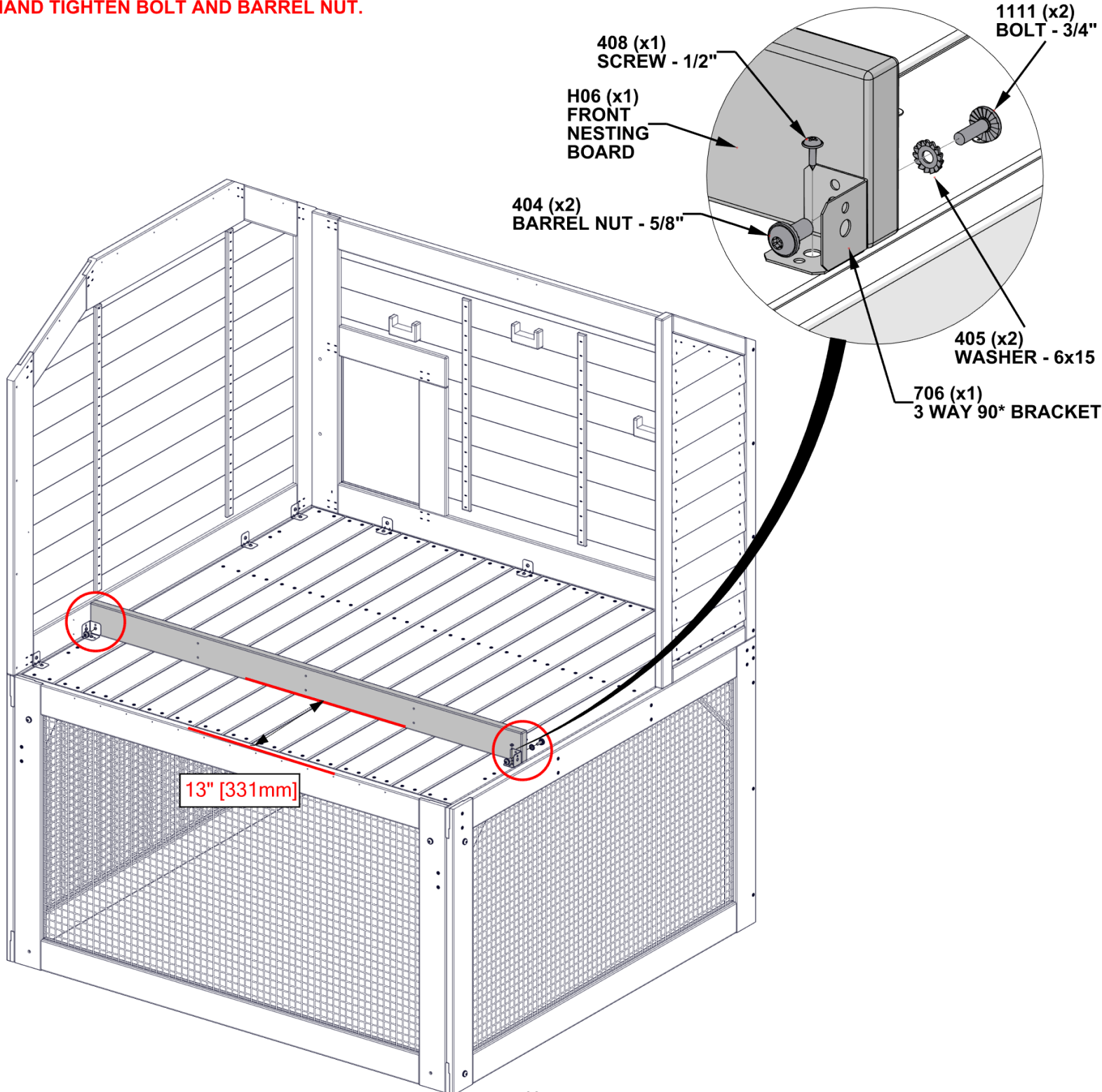


H06 FRONT NESTING BOARD - W4L21625
(x1) 15/16"x3 3/8"x53 7/8" (24x86x1368)



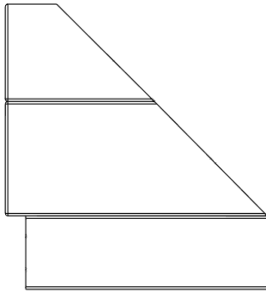
A4M00706 3 WAY 90° BRACKET
(x1)

- H06 BOARD MEASURES 13" [331mm] FROM MESH PANEL AS SHOWN.
- HAND TIGHTEN BOLT AND BARREL NUT.



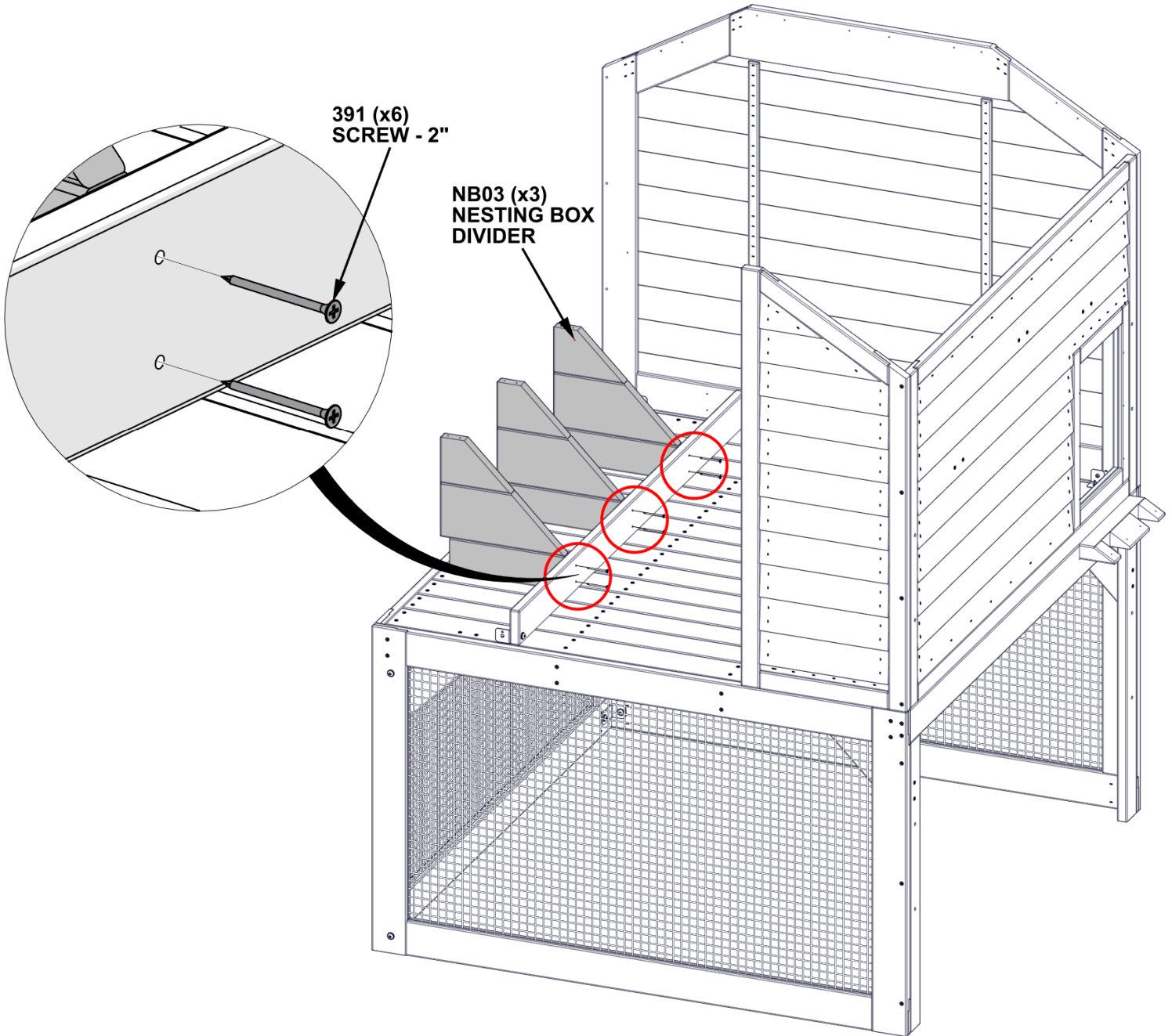
STEP 15 - CHICKEN COOP ASSEMBLY

QTY	PART NUMBER	DESCRIPTION
6	H100391	SCREW PFH 8x2 BLK



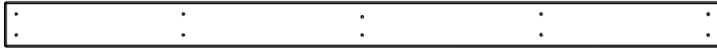
NB03 NESTING BOX DIVIDER - W2A04676
 (x3) 1 3/8"x12 1/16"x13 1/8" (35x307x334)

- ALIGN PILOT HOLES.

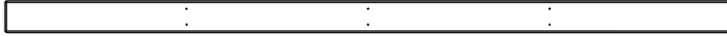


STEP 16 - CHICKEN COOP ASSEMBLY

QTY	PART NUMBER	DESCRIPTION
6	H100382	SCREW PFH 8x1 3/4 BLK
6	H100391	SCREW PFH 8x2 BLK

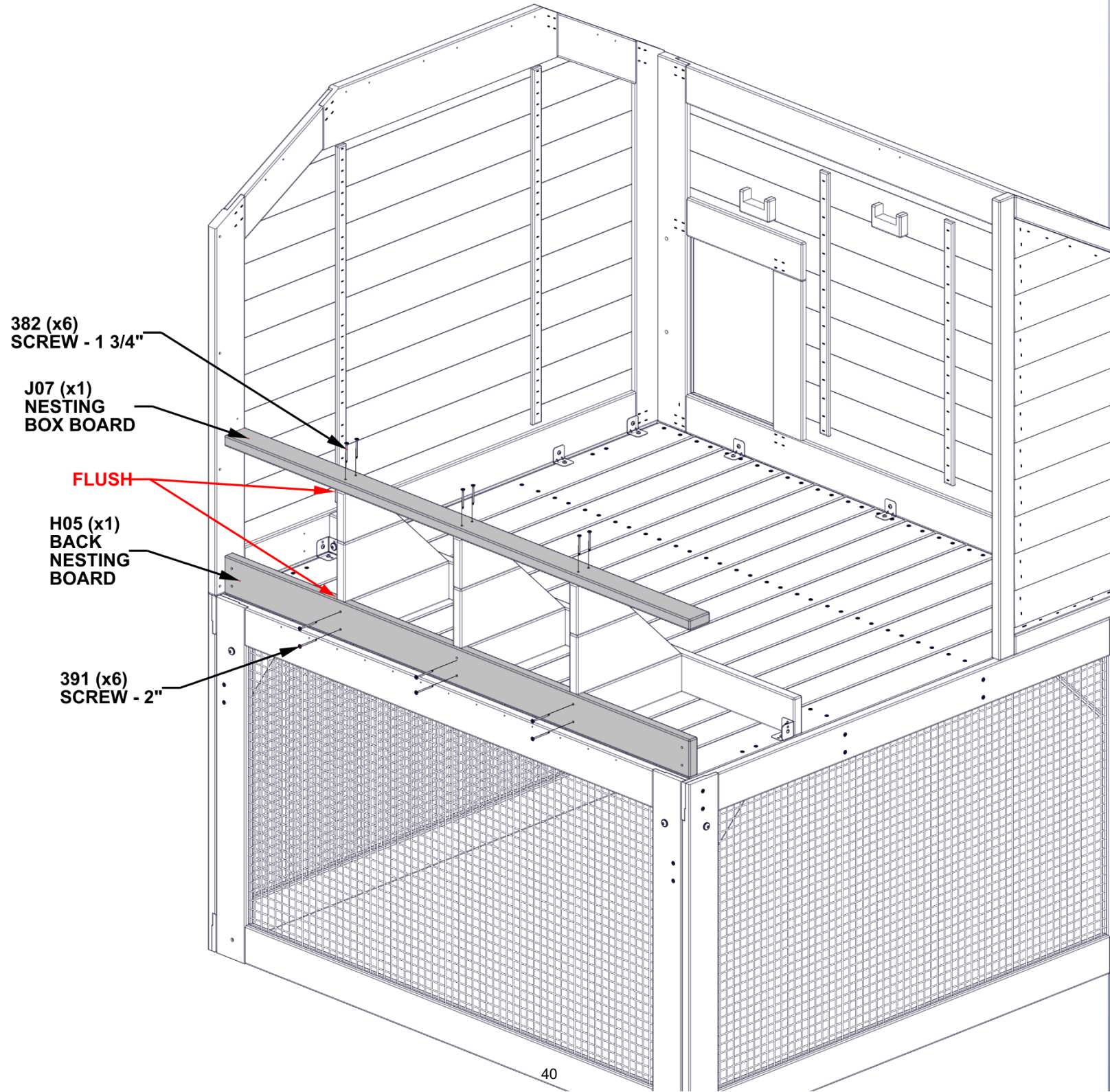


H05 BACK NESTING BOARD - W4L21627
(x1) 15/16"x3 3/8"x53 7/8" (24x86x1368)



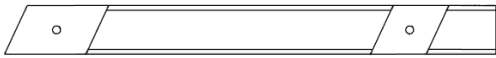
J07 NESTING BOX BOARD - W4L21626
(x1) 15/16"x2 3/8"x53 7/8" (24x60x1368)

- ALIGN PILOT HOLES.



STEP 17 - CHICKEN COOP ASSEMBLY

QTY	PART NUMBER	DESCRIPTION
1	H100385	SCREW PFH 8x1 BLK
3	H100387	SCREW PFH 8x1 1/4 BLK

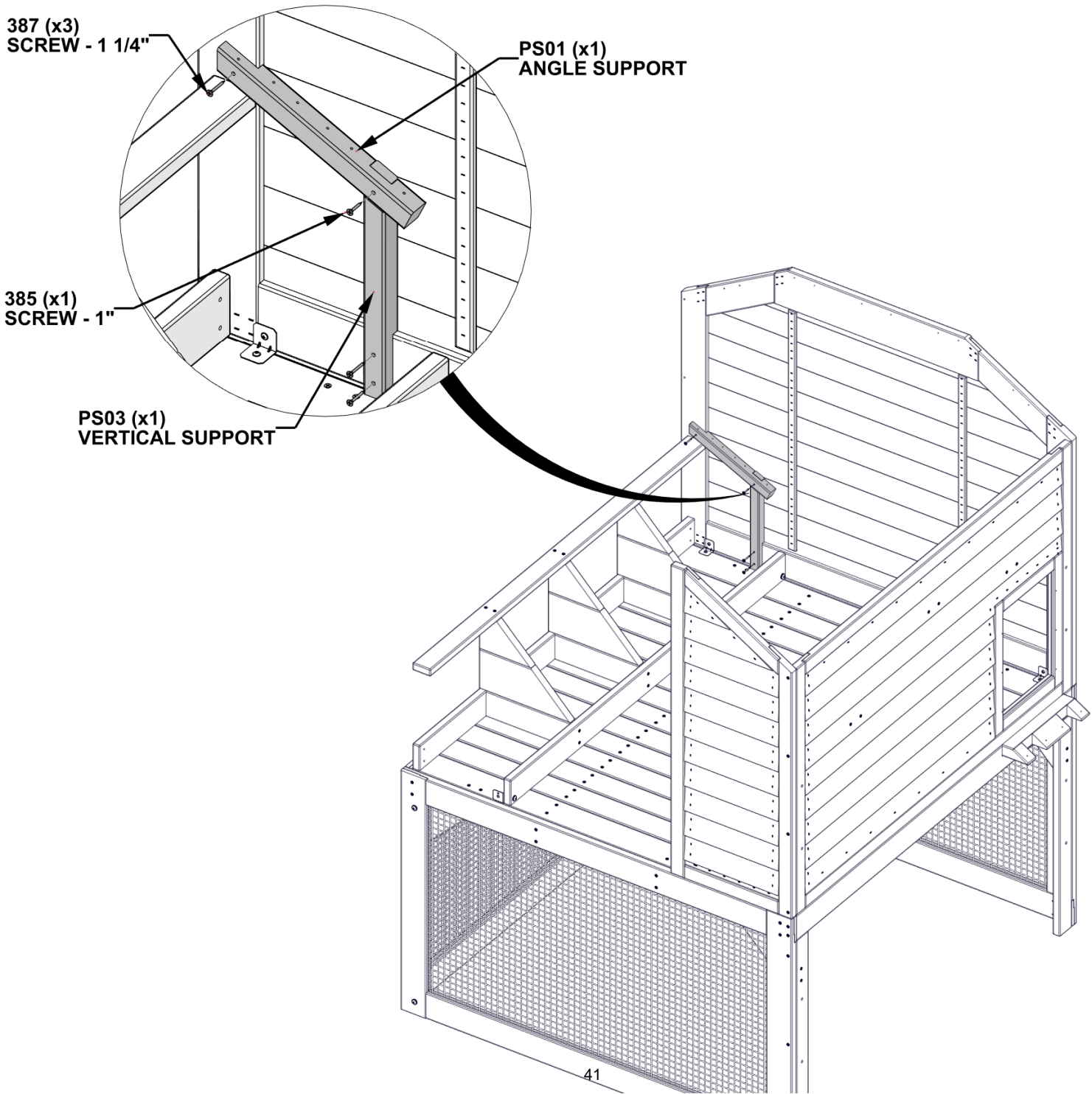


PS01 ANGLE SUPPORT - W4L22591
(x1) 1 3/16"x1 3/16"x11 7/8" (30x30x302)

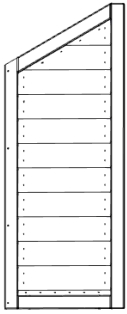


PS03 VERTICAL SUPPORT - W4L22593
(x1) 1 3/16"x1 3/16"x12 5/16" (30x30x312)

- NOTE ORIENTATION OF PS01 AND PS03 BOARDS. IT IS IMPORTANT TO ATTACH PS03 BOARD FIRST.
- ALIGN PILOT HOLES.



STEP 18A - CHICKEN COOP ASSEMBLY

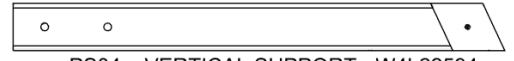


WP02 WALL PANEL - W2A04670
(x1) 15/16"x16 1/8"x41" (24x409x1041)

QTY	PART NUMBER	DESCRIPTION
1	H100385	SCREW PFH 8x1 BLK
3	H100387	SCREW PFH 8x1 1/4 BLK

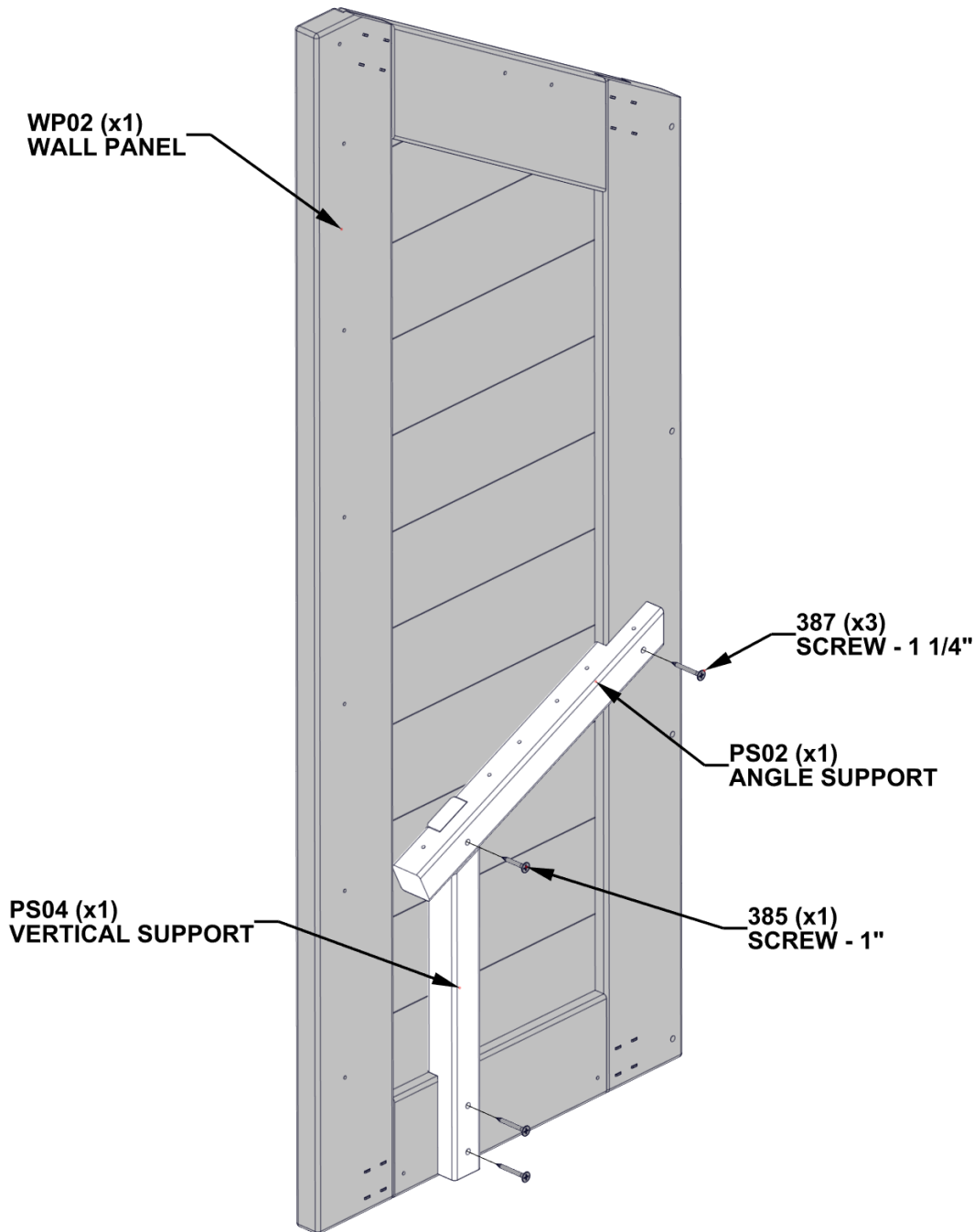


PS02 ANGLE SUPPORT - W4L22592
(x1) 1 3/16"x1 3/16"x11 7/8" (30x30x302)



PS04 VERTICAL SUPPORT - W4L22594
(x1) 1 3/16"x1 3/16"x12 5/16" (30x30x312)

- NOTE ORIENTATION OF PS02 AND PS04 BOARDS. IT IS IMPORTANT TO ATTACH PS04 BOARD FIRST.
- ALIGN PILOT HOLES.



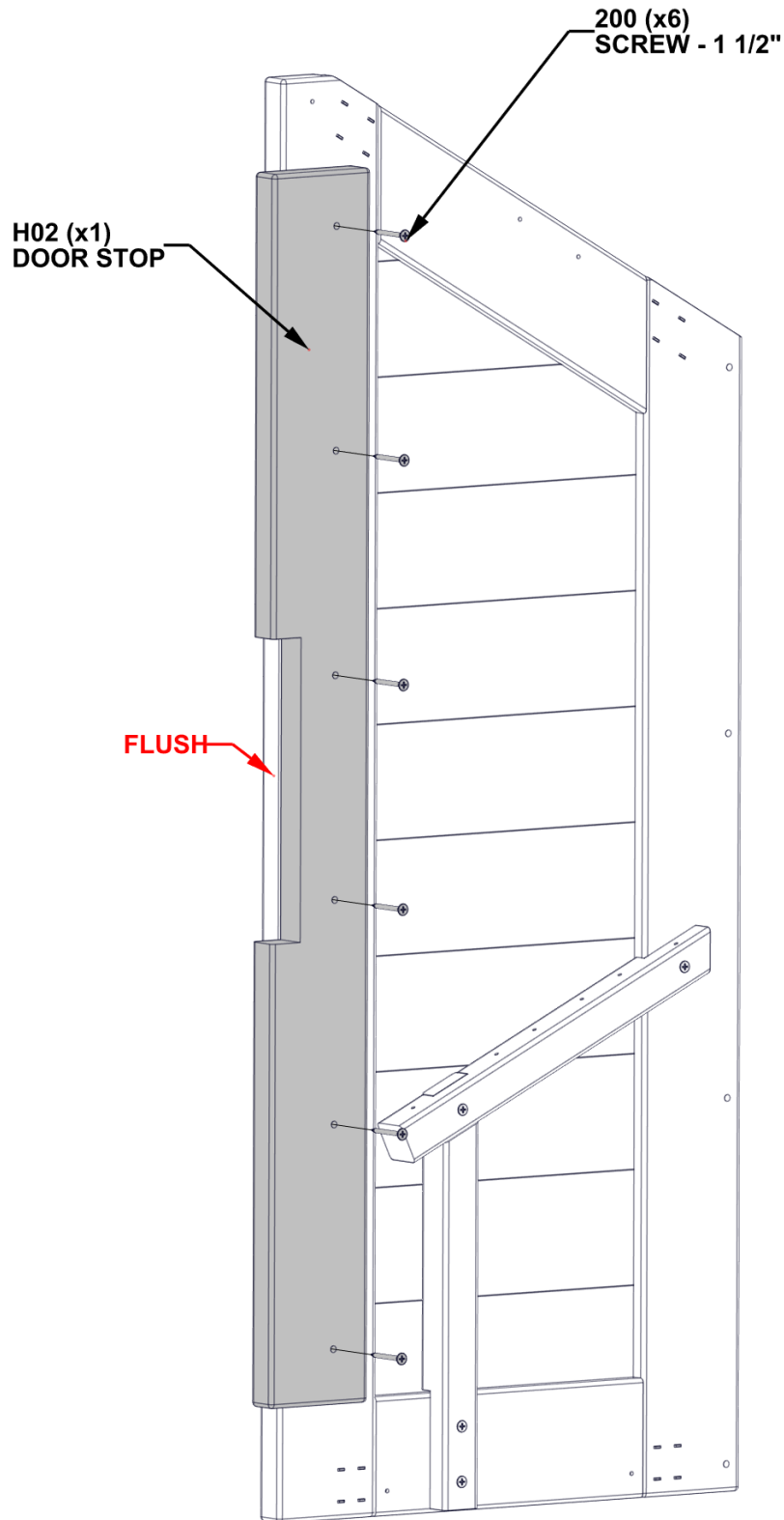
STEP 18B - CHICKEN COOP ASSEMBLY

QTY	PART NUMBER	DESCRIPTION
6	H100200	SCREW PFH 8x1 1/2 BLK



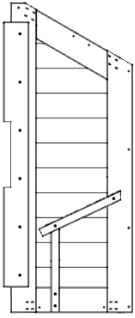
H02 DOOR STOP - W4L21640
(x1) 15/16"x3 3/8"x35 1/16" (24x86x890)

- ALIGN PILOT HOLES.

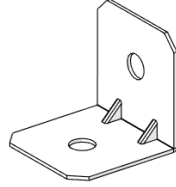


STEP 19 - CHICKEN COOP ASSEMBLY

QTY	PART NUMBER	DESCRIPTION
2	H100392	SCREW PWH 8x3/4 BLK
1	H100408	SCREW PWH 8x1/2 BLK

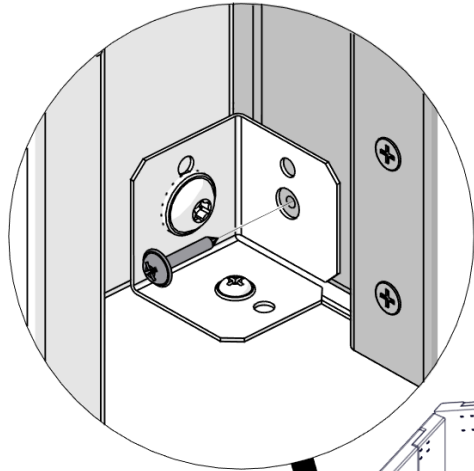


WP02 ASSEMBLY - STEP 18



A4M01785 ANGLE BRACKET (x1)

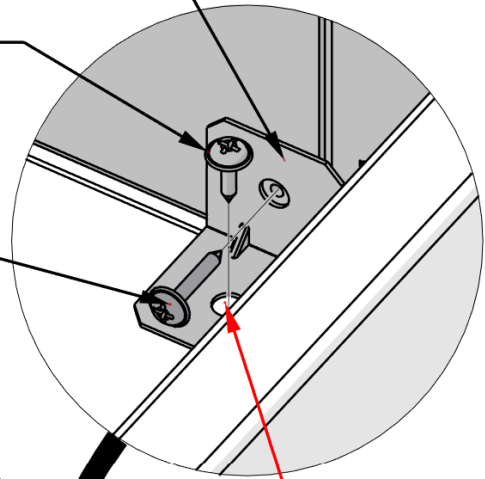
- ALIGN PILOT HOLES.
- FULLY TIGHTEN BOLT AND BARREL NUT.



1785 (x1) ANGLE BRACKET

408 (x1) SCREW - 1/2"

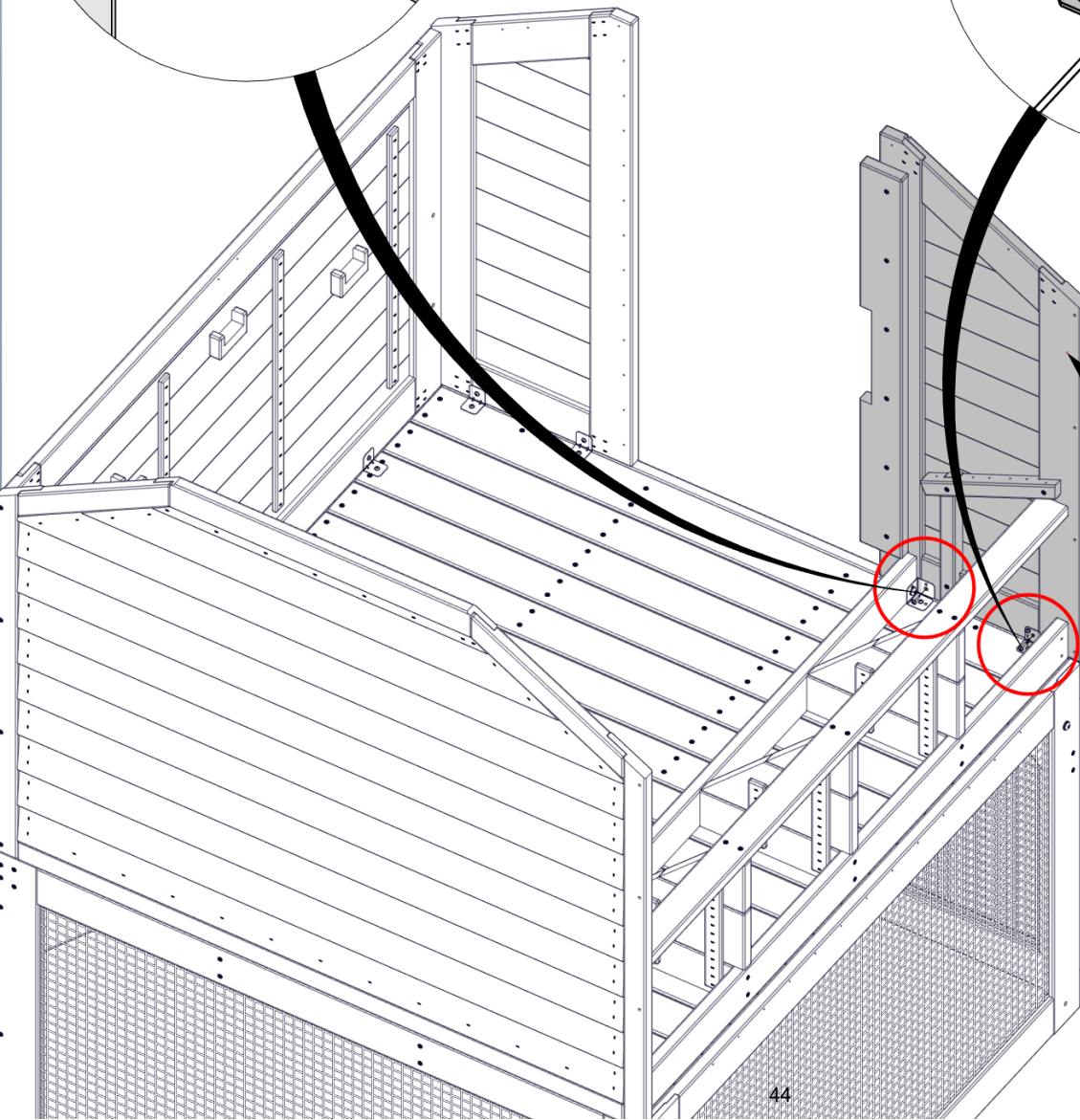
392 (x2) SCREW - 3/4"



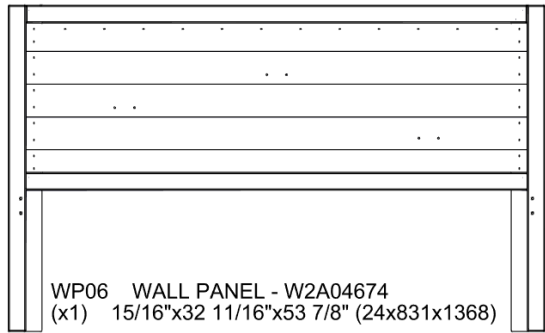
PRE-DRILL 1/8" [3mm] PILOT HOLES FOR EASE OF ASSEMBLY

WP02 ASSEMBLY

FLUSH



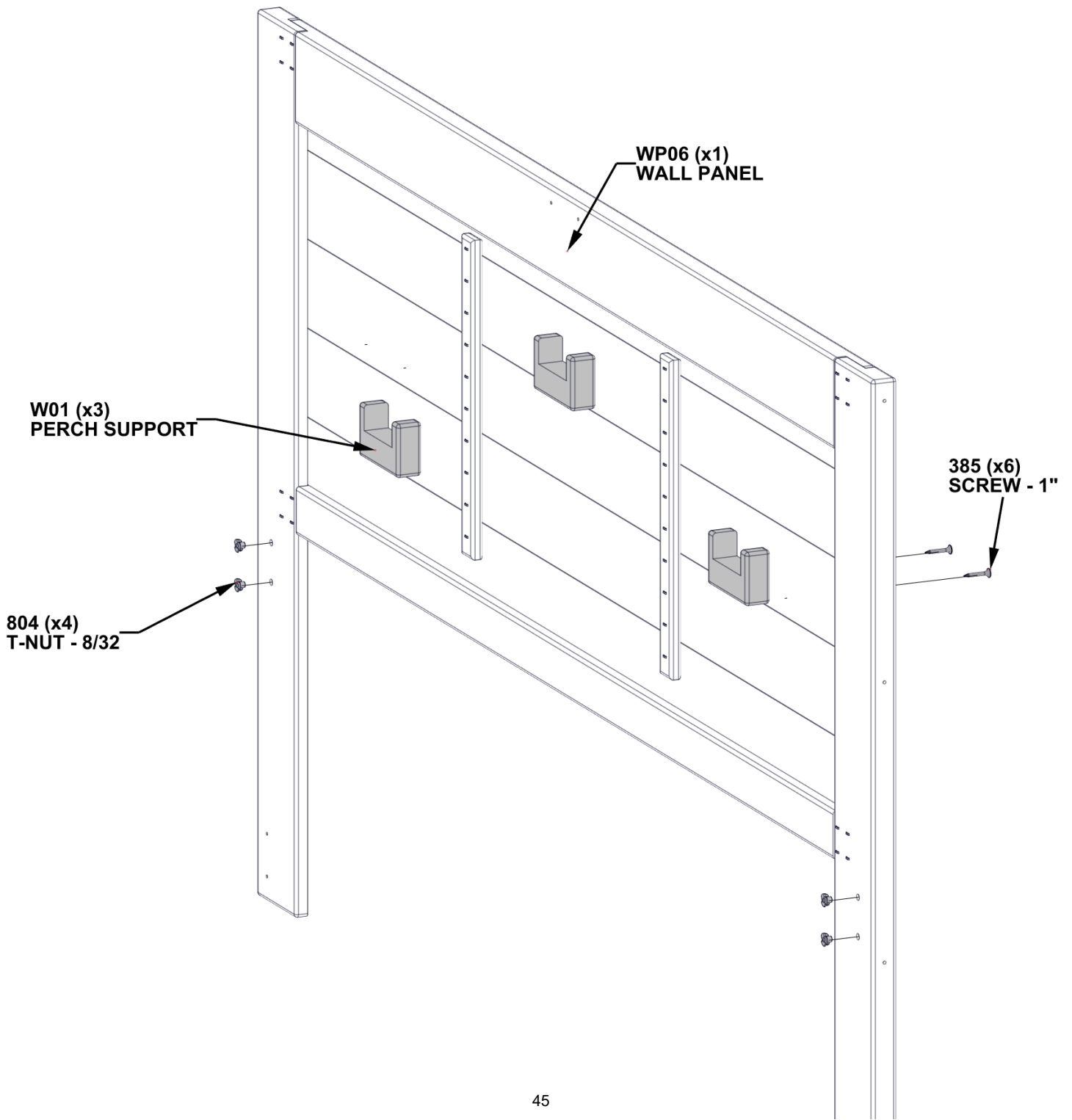
STEP 20 - CHICKEN COOP ASSEMBLY



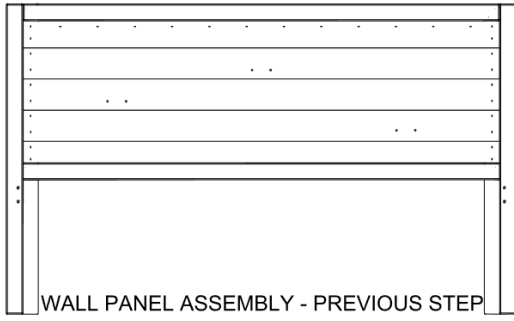
QTY	PART NUMBER	DESCRIPTION
6	H100385	SCREW PFH 8x1 BLK
4	H100804	T-NUT 8/32 BLK



- INSERT T-NUTS FIRST.
- NOTE ORIENTATION OF SB01 PERCH BOARD.
- ALIGN PILOT HOLES.

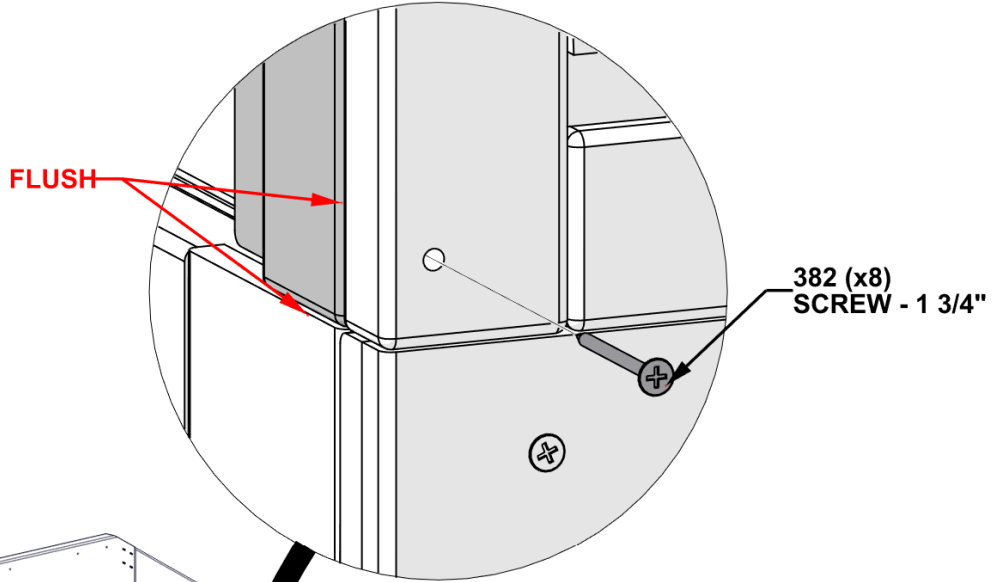


STEP 21 - CHICKEN COOP ASSEMBLY

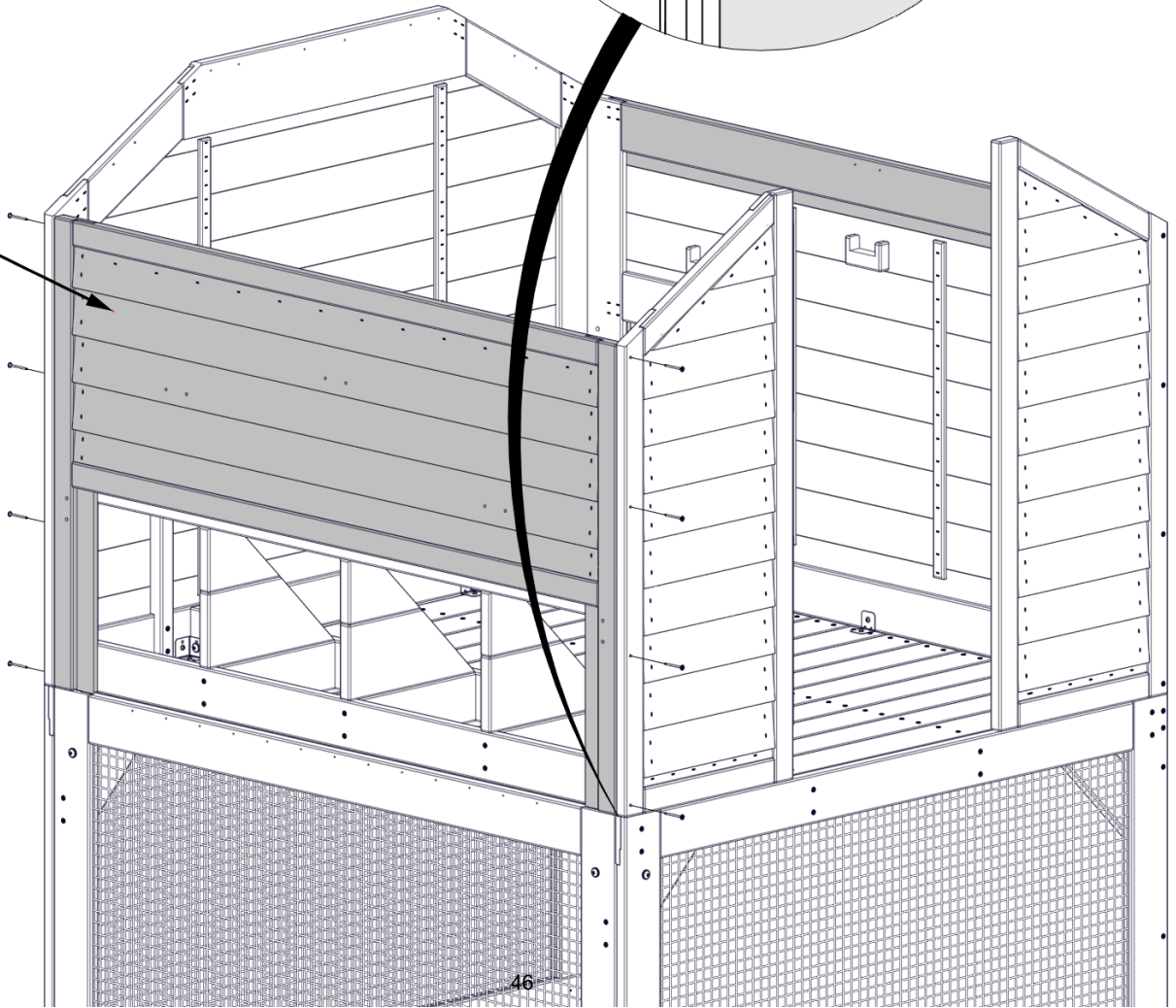


QTY	PART NUMBER	DESCRIPTION
8	H100382	SCREW PFH 8x1 3/4 BLK

- ALIGN PILOT HOLES.
- ENSURE SURFACES ARE FLUSH.



WALL PANEL ASSEMBLY

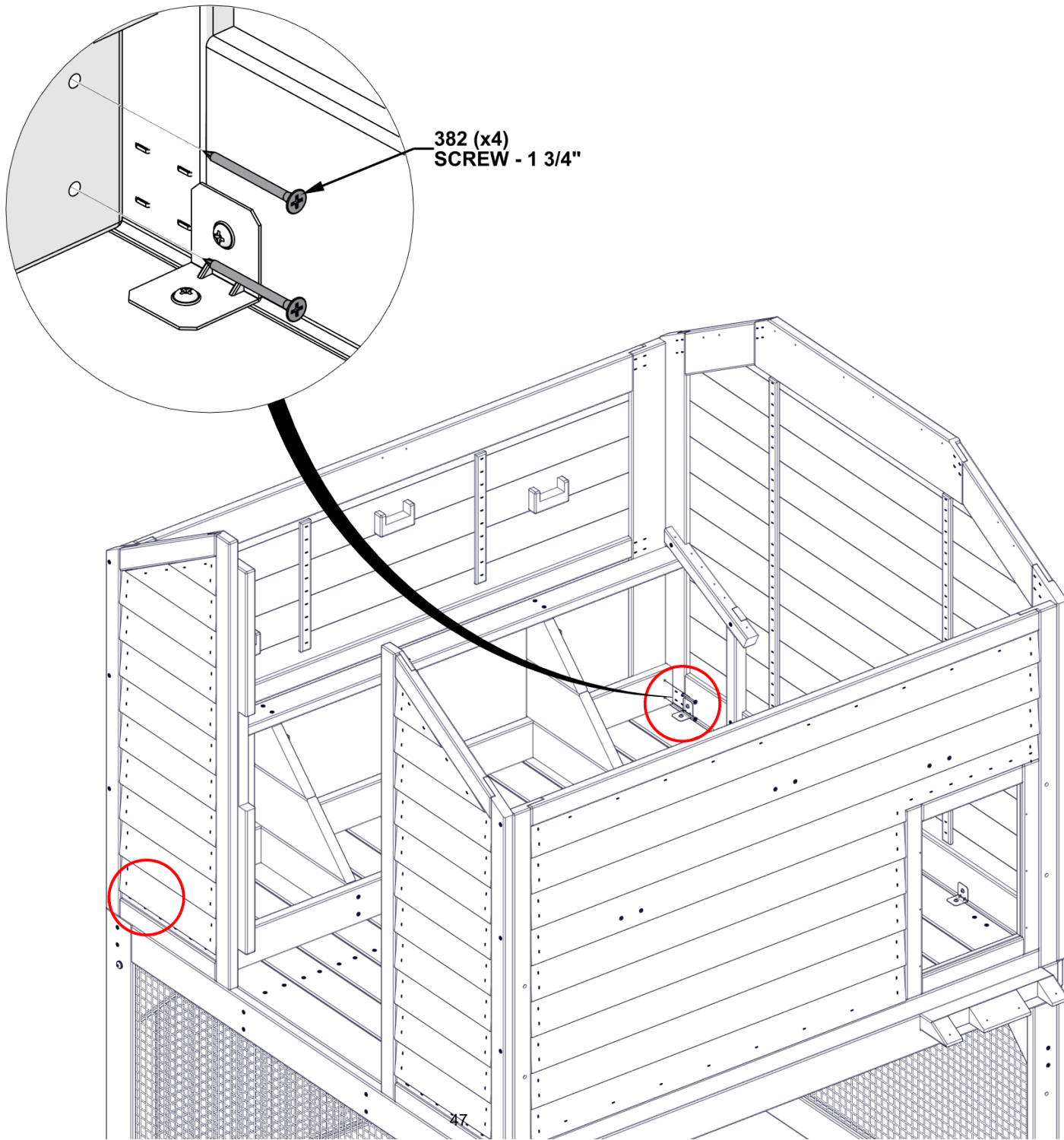


STEP 22 - CHICKEN COOP ASSEMBLY

QTY	PART NUMBER	DESCRIPTION
4	H100382	SCREW PFH 8x1 3/4 BLK

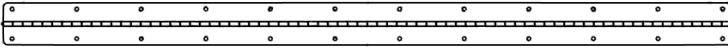
- ALIGN PILOT HOLES

- ATTACH HARDWARE AS SHOWN IN BOTH LOCATIONS INSIDE NESTING BOX.



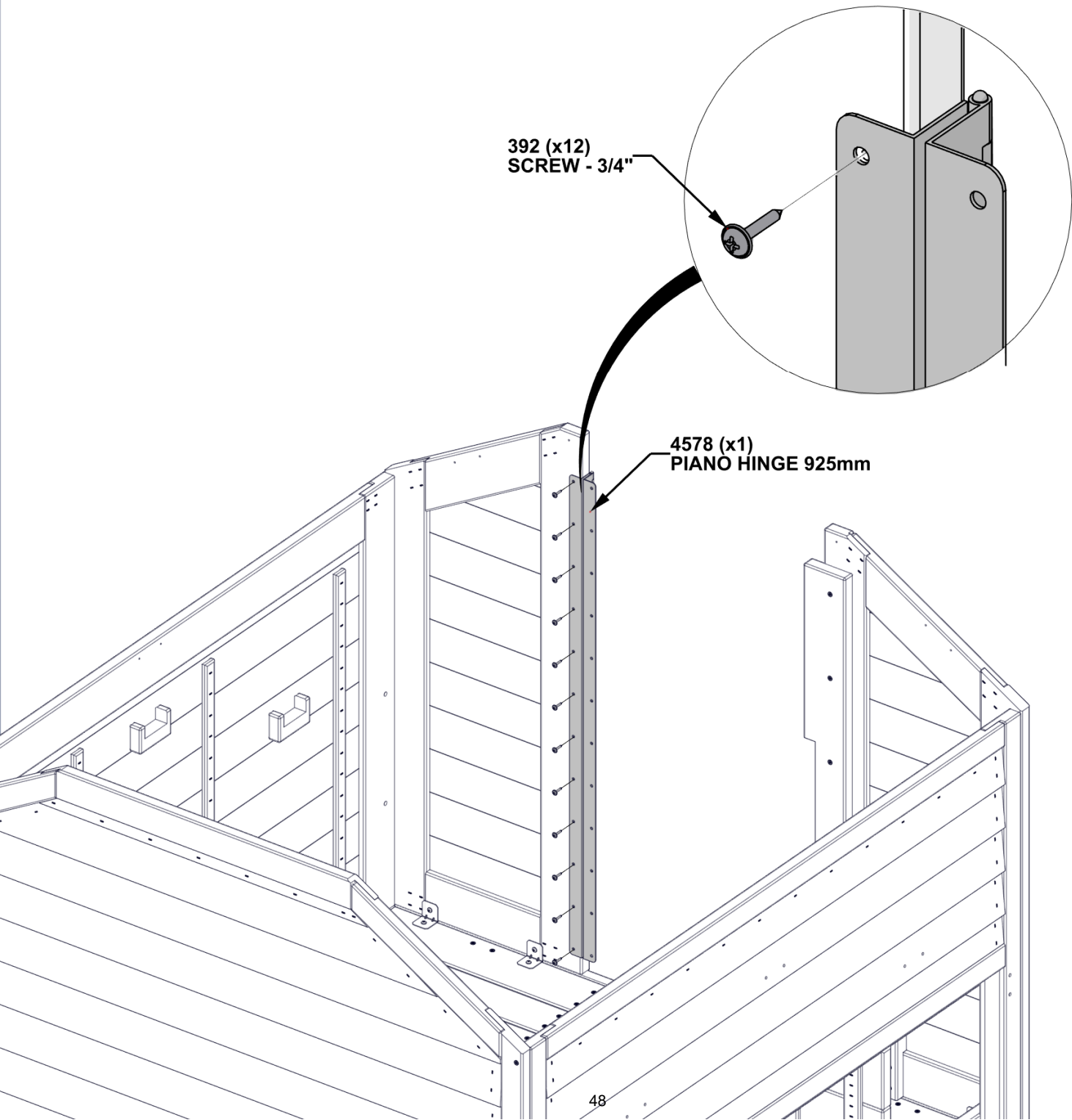
STEP 23 - CHICKEN COOP ASSEMBLY

QTY	PART NUMBER	DESCRIPTION
12	H100392	SCREW PWH 8x3/4 BLK

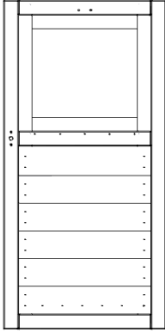


A4M04578 - PIANO HINGE 925mm
(x1)

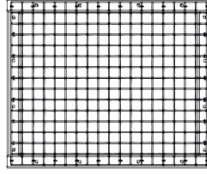
- ALIGN PILOT HOLES.



STEP 24A - DOOR ASSEMBLY



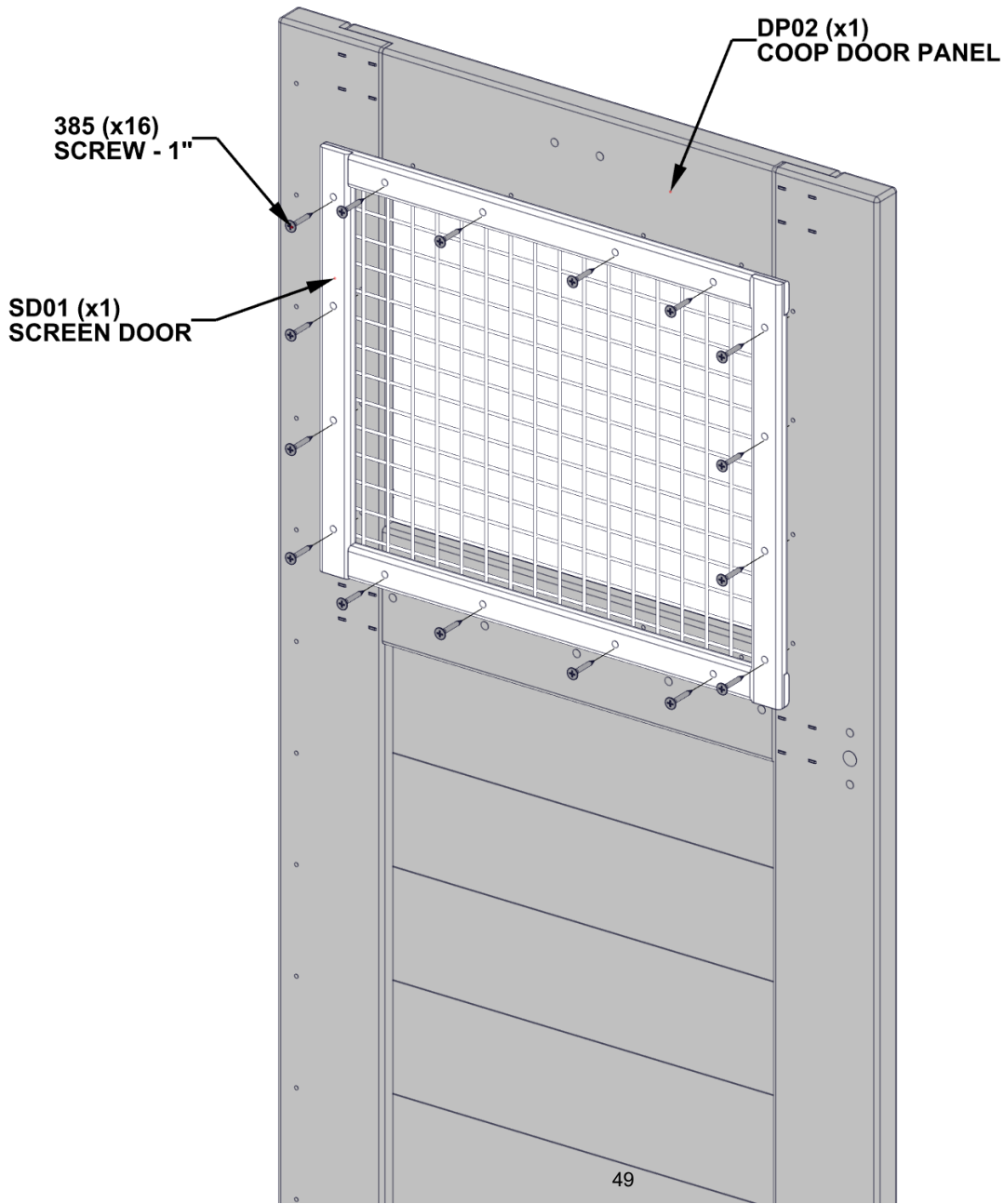
DP02 COOP DOOR PANEL - W2A04678
(x1) 15/16"x19 5/16"x39" (24x490x990)



SD01 SCREEN DOOR - W2A04680
(x1) 9/16"x12 5/16"x14 13/16" (15x312x376)

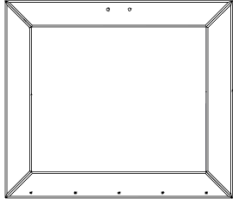
QTY	PART NUMBER	DESCRIPTION
16	H100385	SCREW PFH 8x1 BLK

- ALIGN PILOT HOLES.

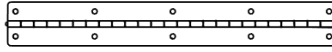


STEP 24B - DOOR ASSEMBLY

QTY	PART NUMBER	DESCRIPTION
5	H100804	T-NUT 8/32 BLK
5	H101401	SCREW POH-MS 8/32x1/2 BLK

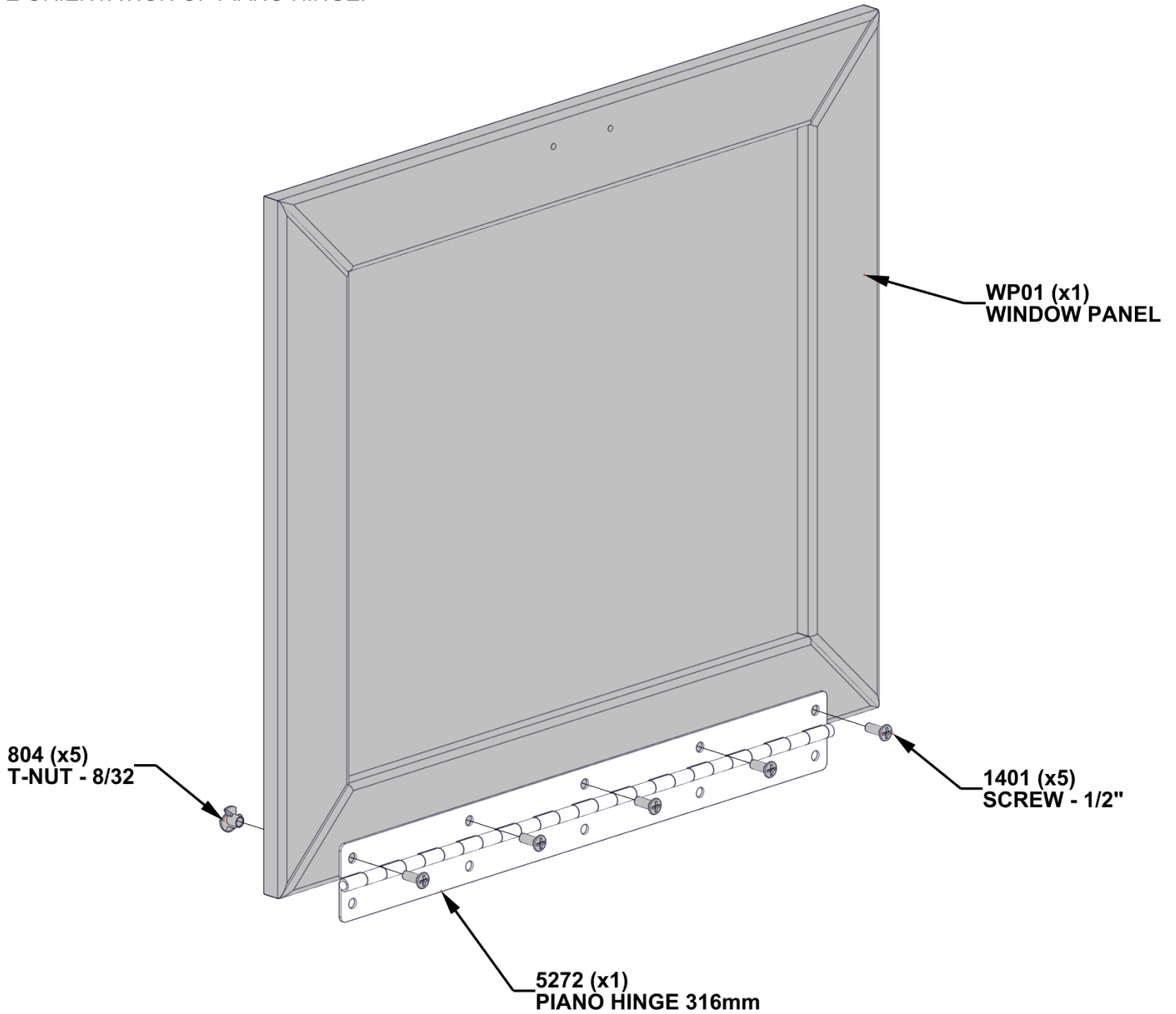


WP01 WINDOW PANEL - W2A04681
(x1) 1/2"x13 5/16"x15 3/8" (12x339x390)



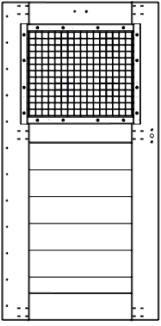
A4M05272 PIANO HINGE 316mm
(x1)

- INSERT T-NUTS FIRST.
- FLUSH FLAT SIDE OF T-NUTS WITH WINDOW PANEL.
- ALIGN PILOT HOLES.
- NOTE ORIENTATION OF PIANO HINGE.

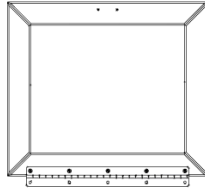


STEP 24C - DOOR ASSEMBLY

QTY	PART NUMBER	DESCRIPTION
5	H100804	T-NUT 8/32 BLK
5	H100807	SCREW POH-MS 8/32x1 BLK



COOP DOOR PANEL - STEP 24A

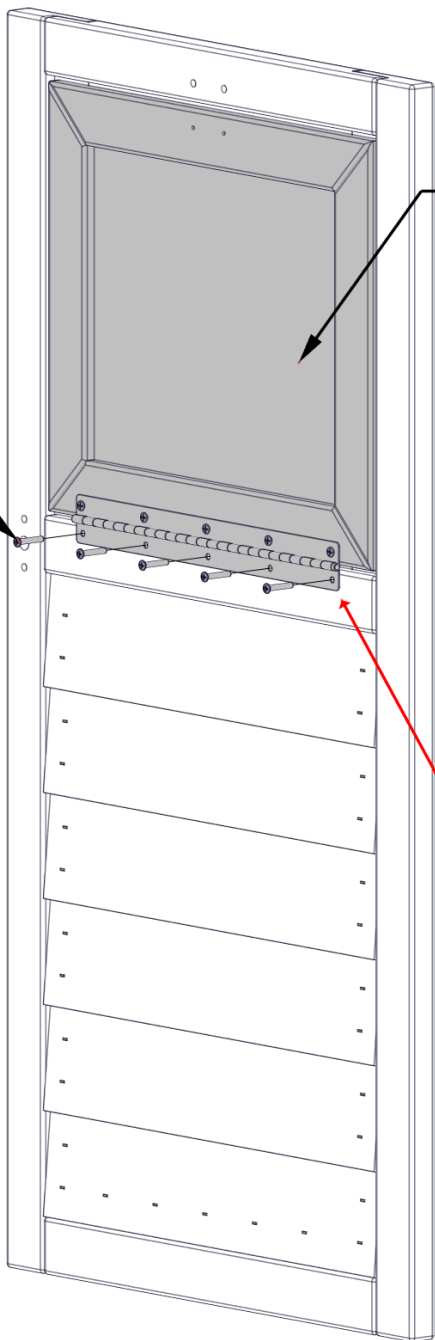


WINDOW PANEL ASSEMBLY - STEP 24B

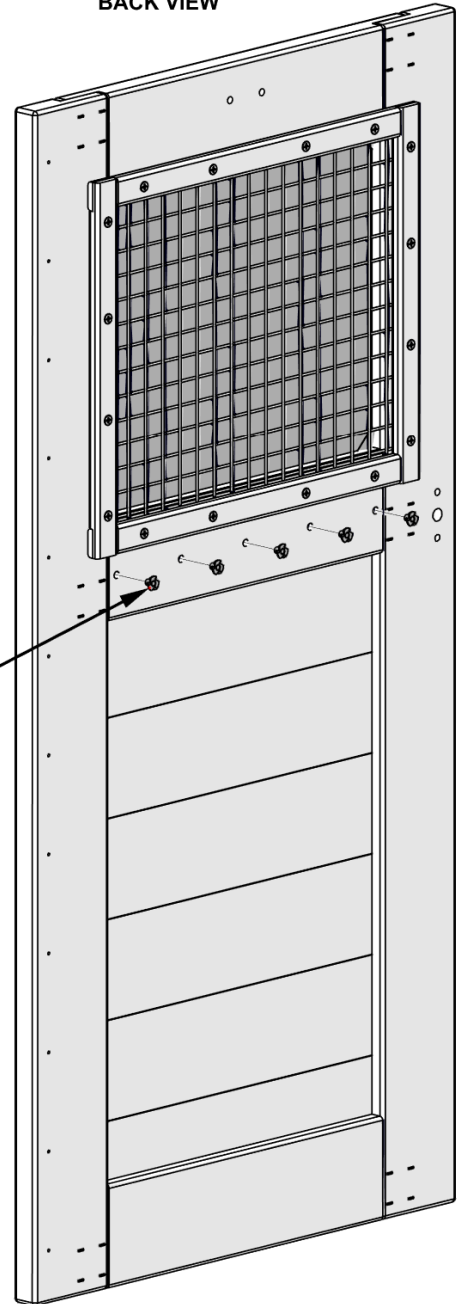
- INSERT T-NUTS FIRST.
- ALIGN PILOT HOLES.

FRONT VIEW

BACK VIEW



WINDOW PANEL ASSEMBLY

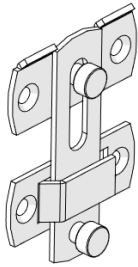


804 (x5)
T-NUT - 8/32

NOTE ORIENTATION
OF WINDOW PANEL

STEP 24D - DOOR ASSEMBLY

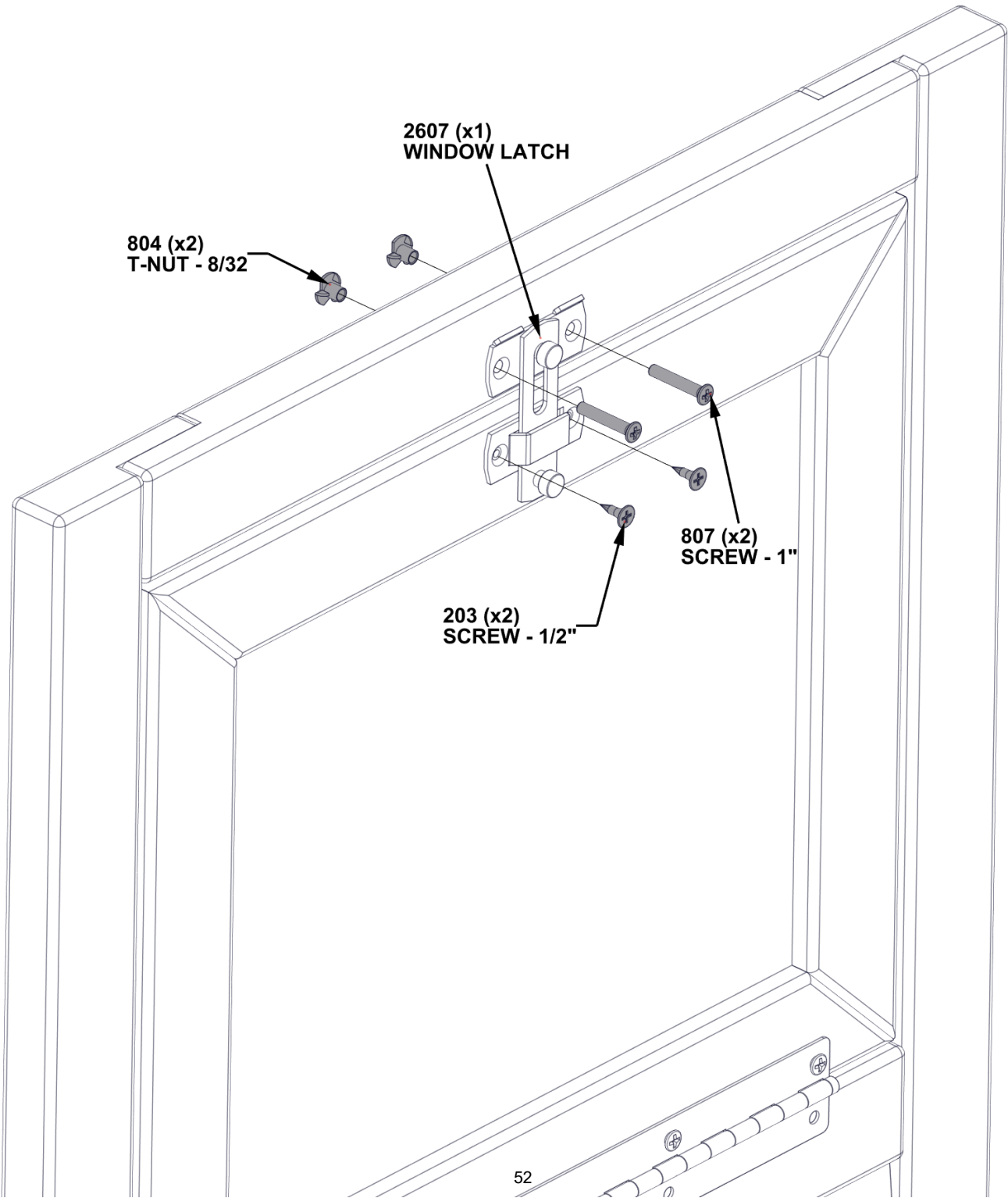
QTY	PART NUMBER	DESCRIPTION
2	H100203	SCREW PFH 8x1/2 BLK
2	H100804	T-NUT 8/32 BLK
2	H100807	SCREW POH-MS 8/32x1 BLK



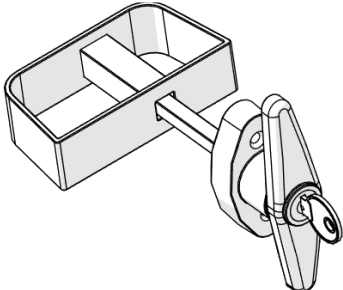
A4M02607 WINDOW LATCH
(x1)

- INSERT T-NUTS FIRST.

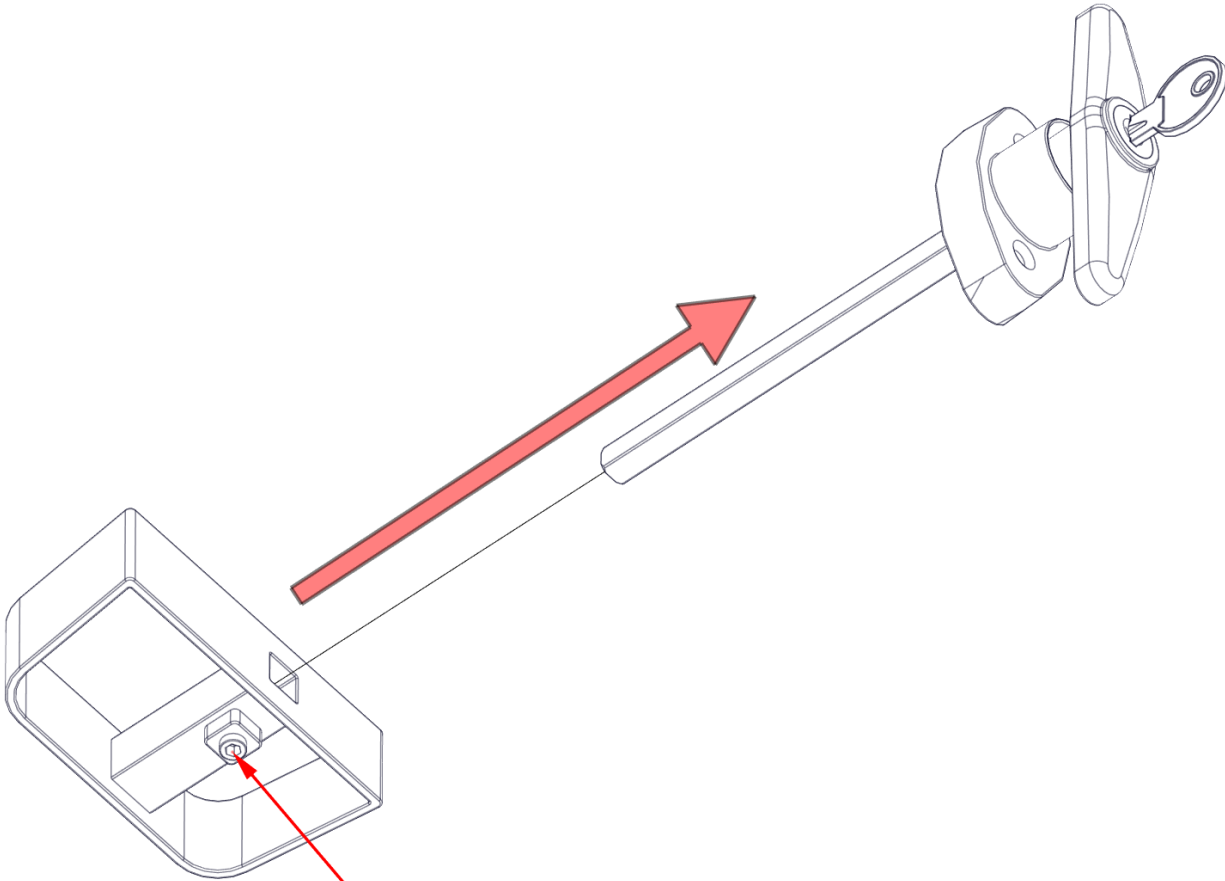
- ALIGN LATCH WITH PILOT HOLES IN DOOR AS SHOWN.



STEP 24E - CHICKEN COOP ASSEMBLY

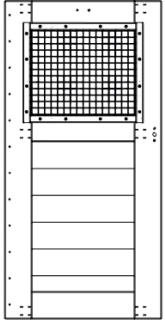


A4M00839 HANDLE W/ LOCK
(x1)

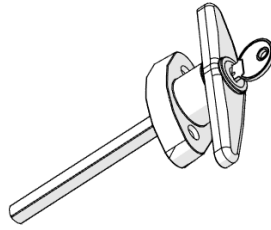


**LOOSEN SET SCREW
TO REMOVE DOOR LOCK
FROM SHAFT**

STEP 24F - DOOR ASSEMBLY



DOOR PANEL ASSEMBLY

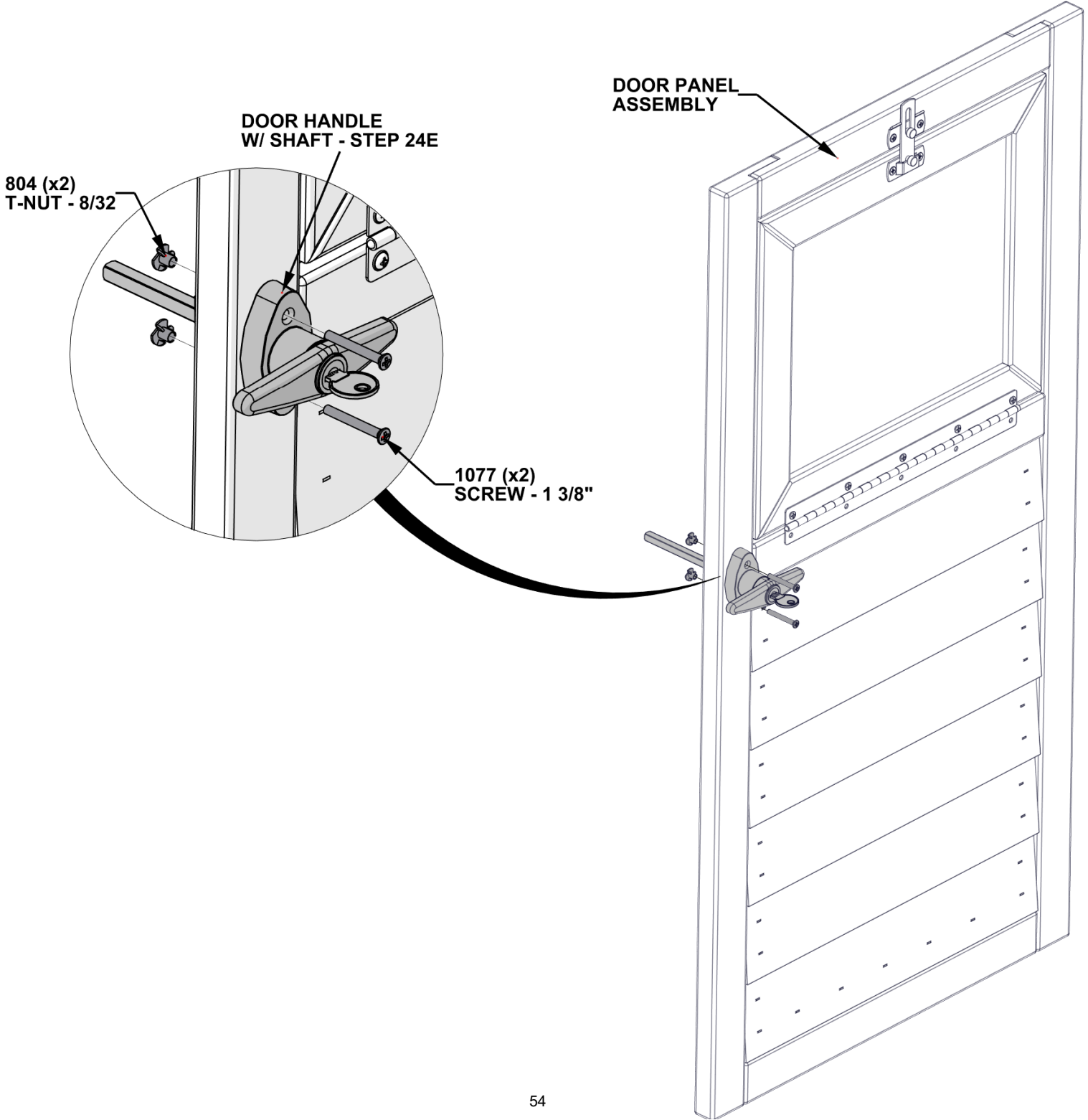


HANDLE W/ SHAFT - STEP 24E

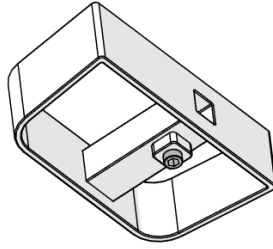
QTY	PART NUMBER	DESCRIPTION
2	H100804	T-NUT 8/32 BLK
2	H101077	SCREW POH-MS 8/32x1 3/8 BLK

- INSERT T-NUTS FIRST.

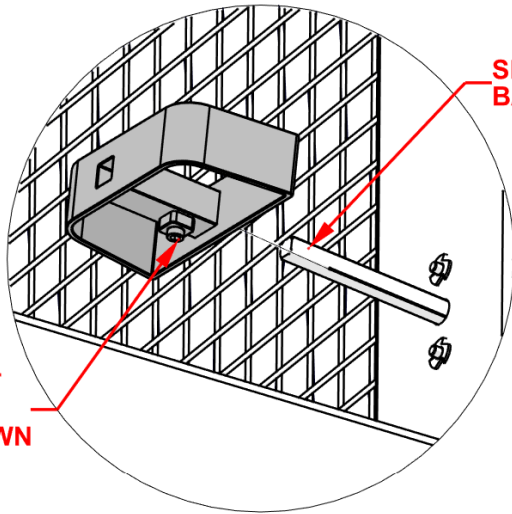
- ALIGN LATCH WITH PILOT HOLES IN DOOR AS SHOWN.



STEP 24G - DOOR ASSEMBLY

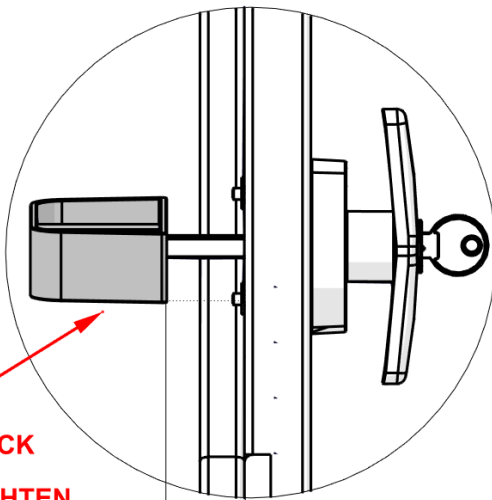
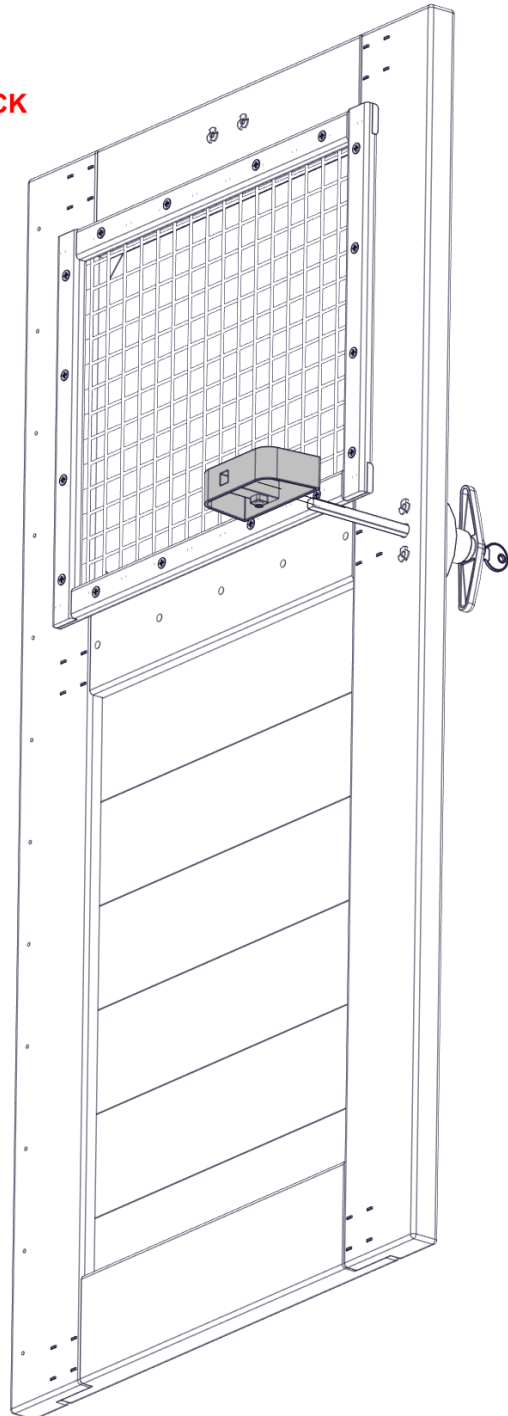


HANDLE LOCK - STEP 24E



**SLIDE DOOR LOCK
BACK ON SHAFT**

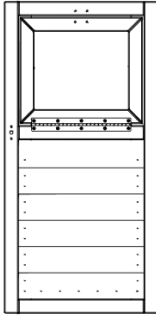
**NOTE SET
SCREW
FACE DOWN**



**ADJUST DOOR LOCK
TO DIMENSION
SHOWN, THEN TIGHTEN
SET SCREW**

1" [25mm]

STEP 25 - CHICKEN COOP ASSEMBLY

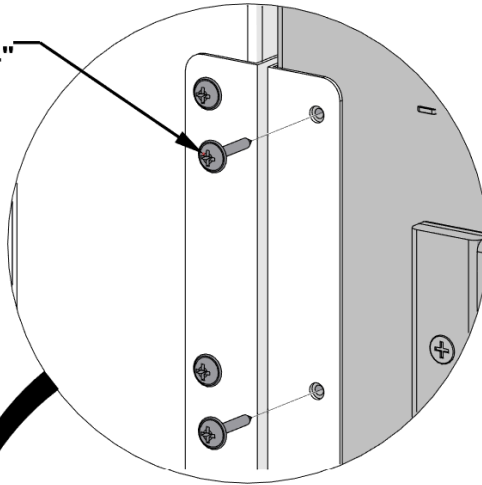


QTY	PART NUMBER	DESCRIPTION
12	H100392	SCREW PWH 8x3/4 BLK

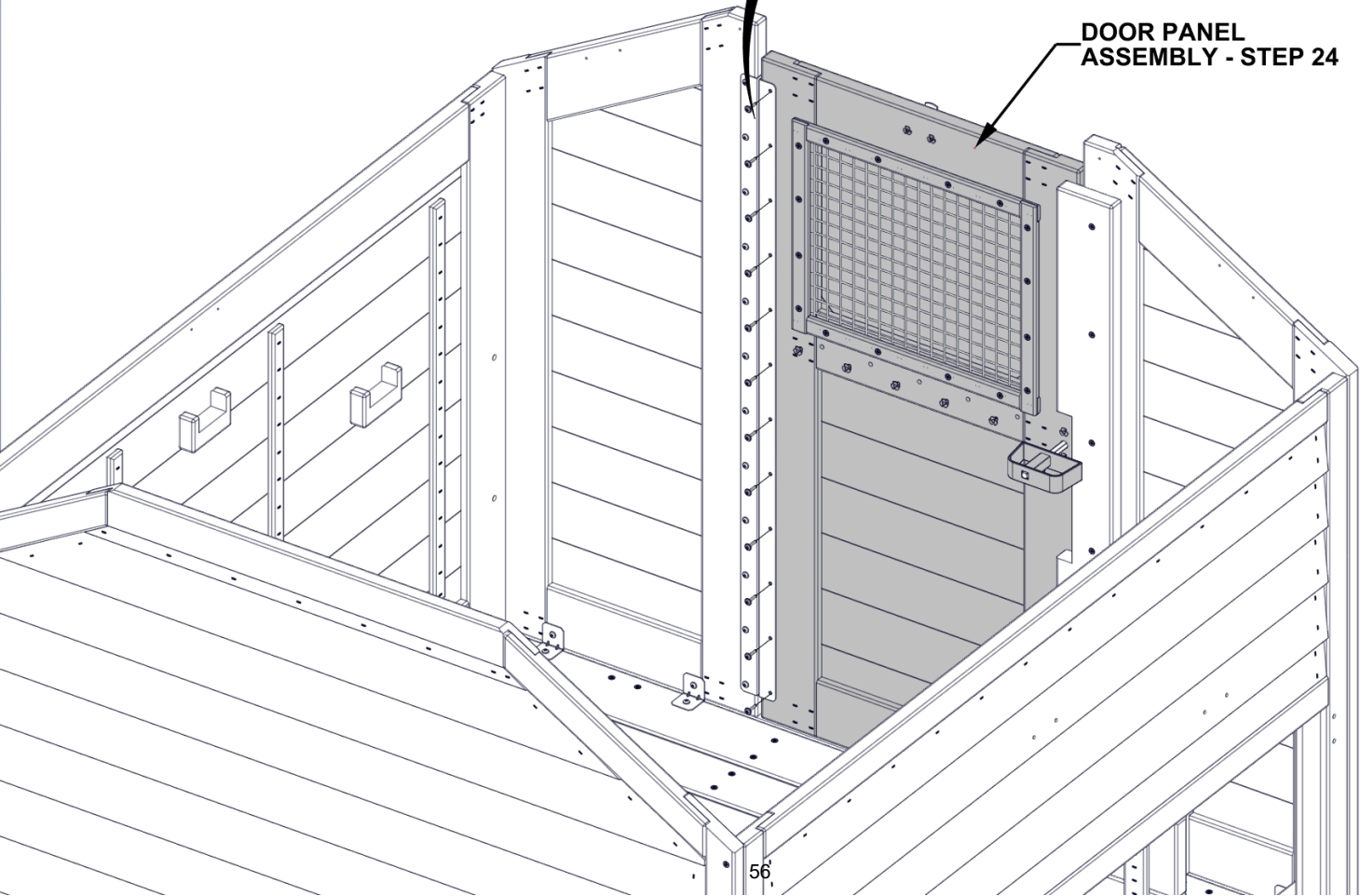
DOOR PANEL ASSEMBLY - STEP 24

- ALIGN PILOT HOLES.

392 (x12)
SCREW - 3/4"



DOOR PANEL
ASSEMBLY - STEP 24



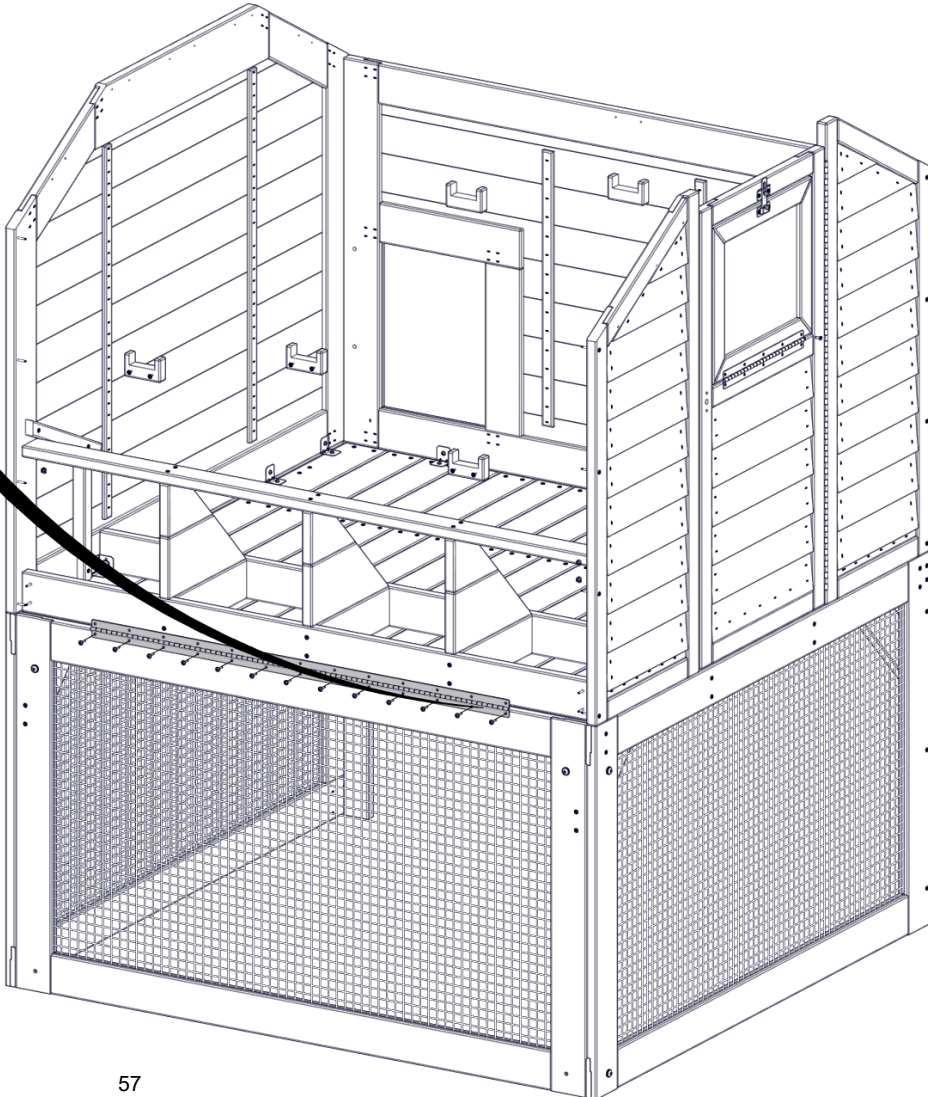
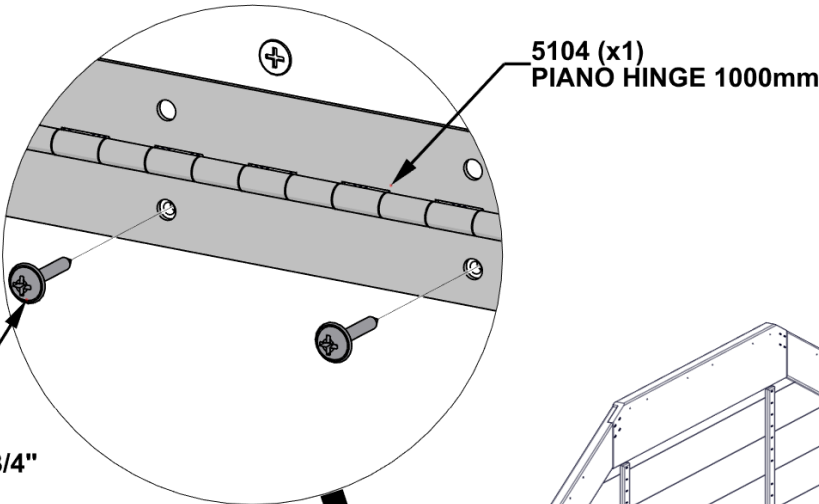
STEP 26 - CHICKEN COOP ASSEMBLY

QTY	PART NUMBER	DESCRIPTION
13	H100392	SCREW PWH 8x3/4 BLK



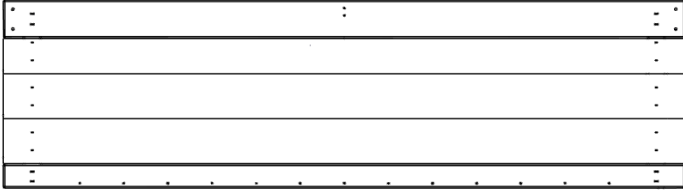
A4M05104 PIANO HINGE 1000mm
(x1)

- ALIGN PILOT HOLES.

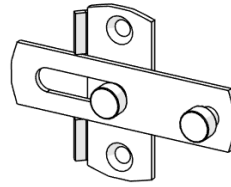


STEP 27 - CHICKEN COOP ASSEMBLY

QTY	PART NUMBER	DESCRIPTION
4	H100804	T-NUT 8/32 BLK
4	H101401	SCREW POH-MS 8/32x1/2 BLK



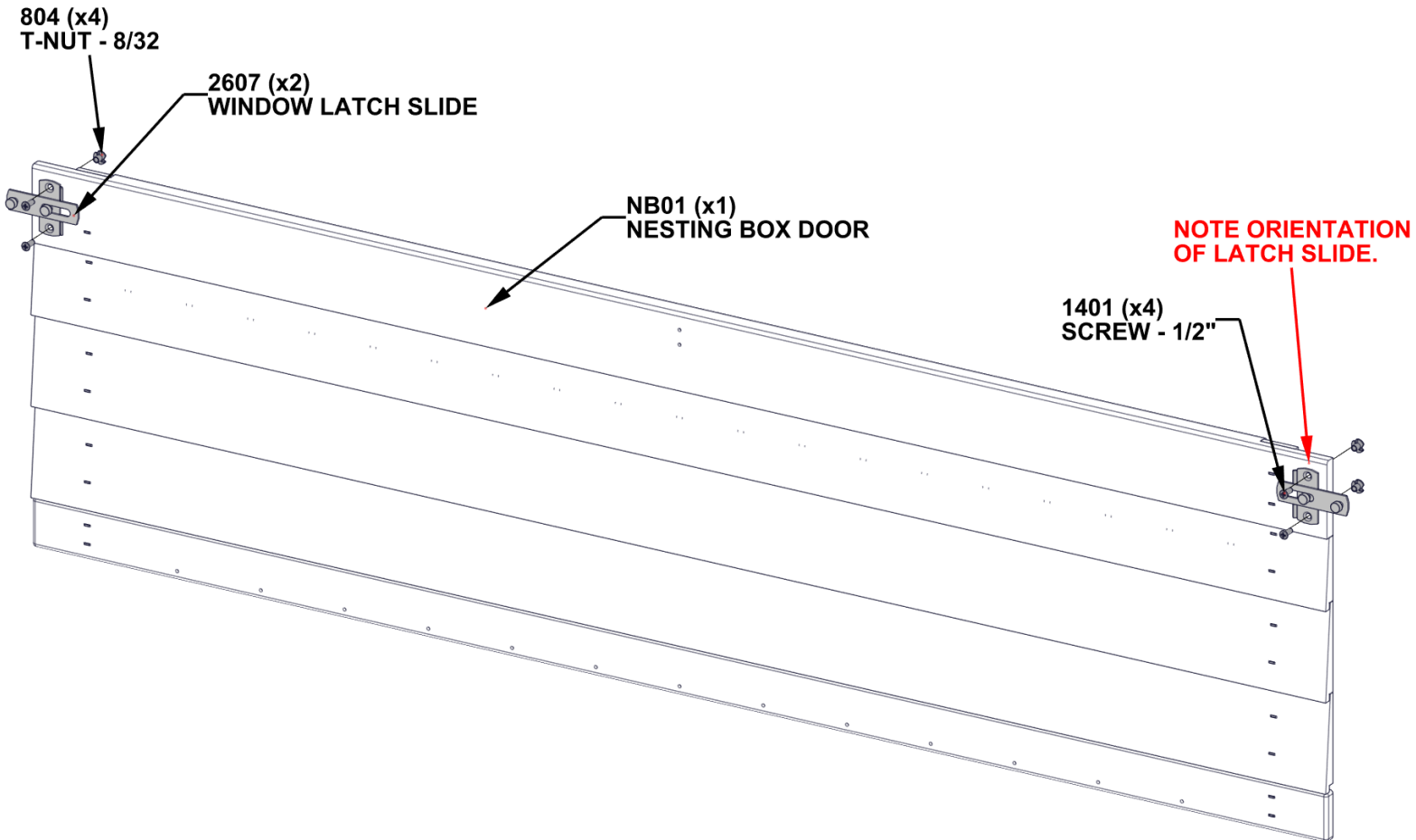
NB01 NESTING BOX DOOR - W2A05228
(x1) 13/16"x13 3/4"x49 15/16" (20x350x1268)



A4M02607-02 WINDOW LATCH SLIDE
(x2)

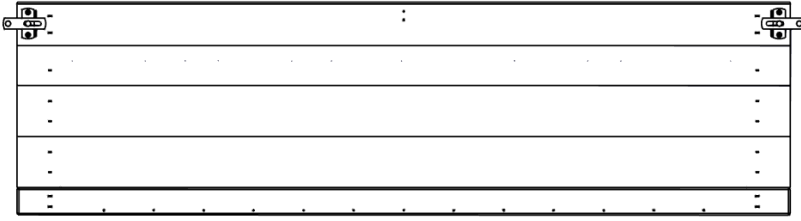
- INSERT T-NUTS FIRST.

- USING THE LATCH SLIDE FROM A 2607 WINDOW LATCH, ATTACH USING HARDWARE AS SHOWN.
- NOTE ORIENTATION OF LATCH SLIDE.



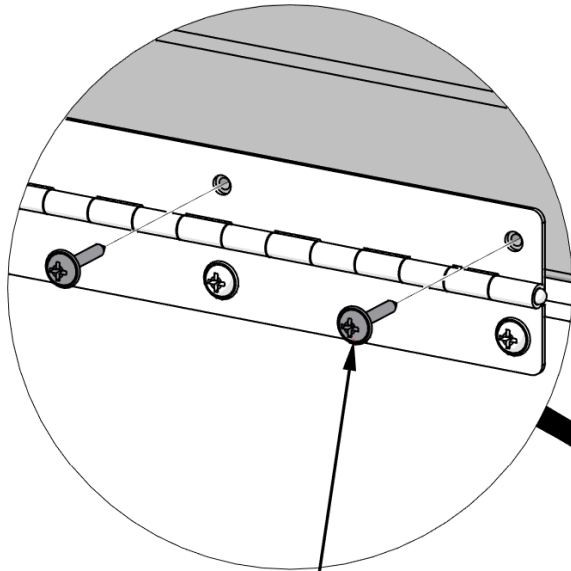
STEP 28 - CHICKEN COOP ASSEMBLY

QTY	PART NUMBER	DESCRIPTION
13	H100392	SCREW PWH 8x3/4 BLK



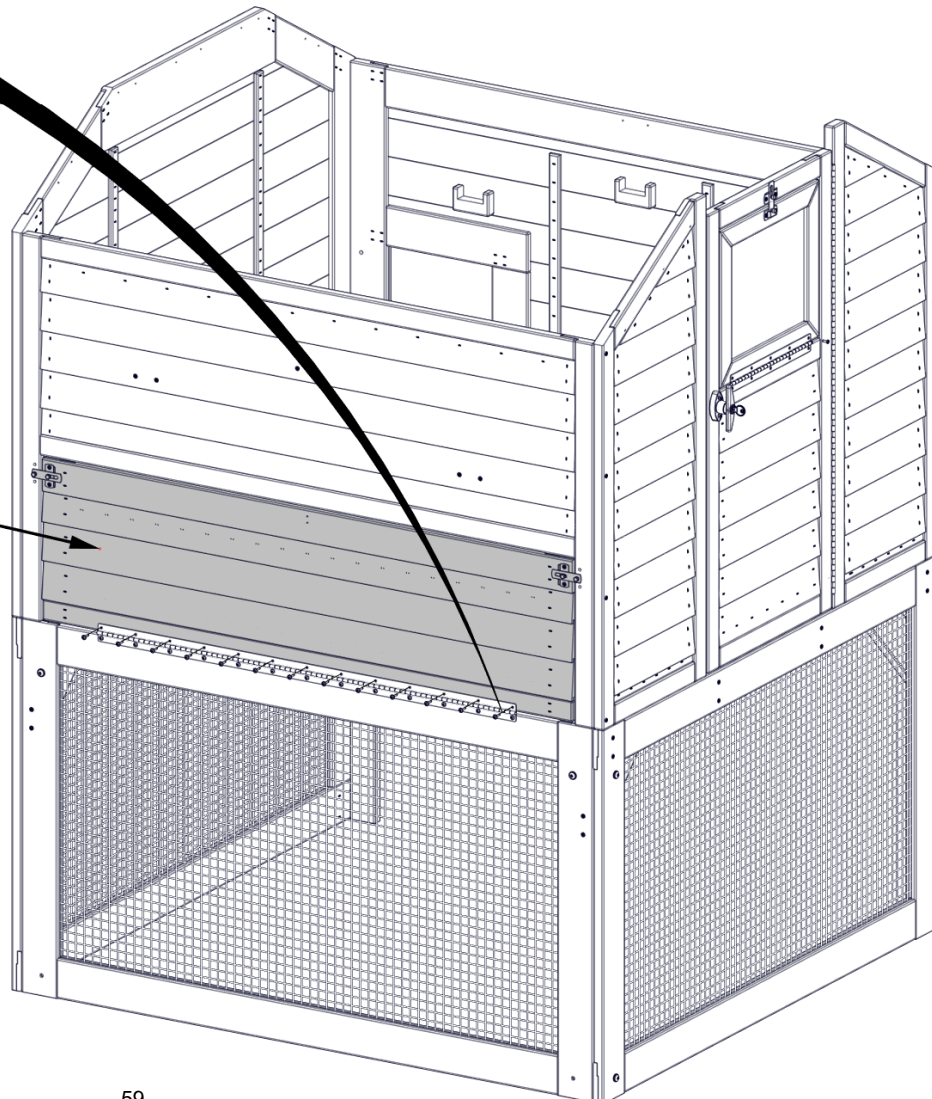
NESTING BOX DOOR W/ LATCHES - PREVIOUS STEP

- ALIGN PILOT HOLES.



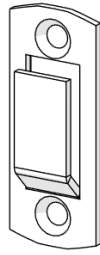
392 (x13)
SCREW - 3/4"

NESTING BOX
DOOR W/ LATCHES



STEP 29 - CHICKEN COOP ASSEMBLY

QTY	PART NUMBER	DESCRIPTION
4	H100807	SCREW POH-MS 8/32x1 BLK

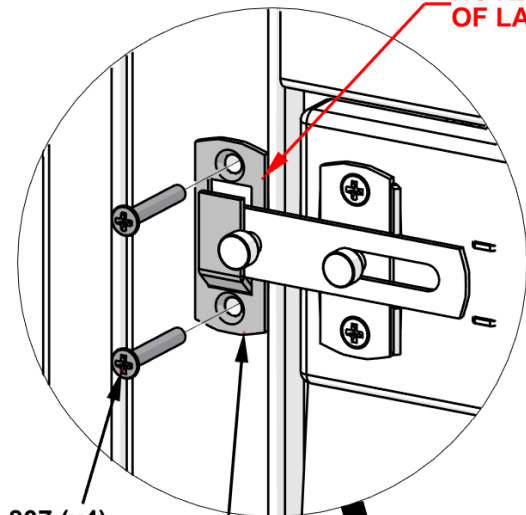


A4M02607-03 WINDOW LATCH CATCH
(x2)

- ATTACH THE REMAINING LATCHING MECHANISM PARTS FROM STEP 28.
- ALIGN WINDOW LATCH CATCH USING HOLES IN WALL PANEL. FASTEN WITH SCREWS INTO T-NUTS PREVIOUSLY INSTALLED.
- H100807 SCREWS WILL THREAD INTO T-NUTS INSTALLED IN PREVIOUS STEP.
- NOTE ORIENTATION OF THE LATCH CATCH.

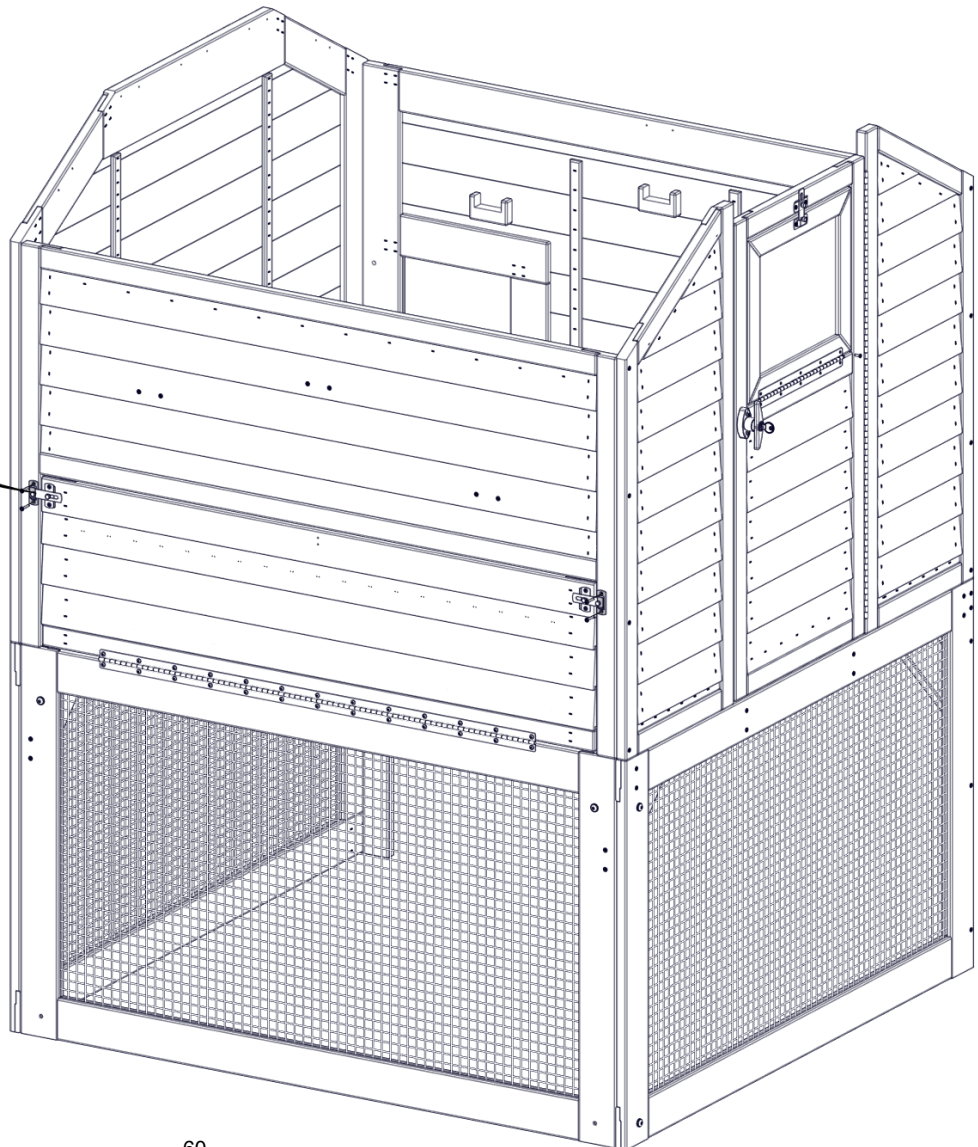
**NOTE ORIENTATION
OF LATCH CATCH**

PRO TIP:
IF LATCH DOESN'T ENGAGE SMOOTHLY,
USING A FLAT HEAD SCREW DRIVER,
GENTLY BEND TAB AWAY TO ALLOW
ENGAGEMENT.

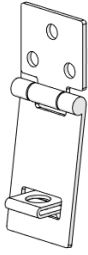


807 (x4)
SCREW - 1"

2607-03 (x2)
WINDOW LATCH CATCH



STEP 30 - CHICKEN COOP ASSEMBLY



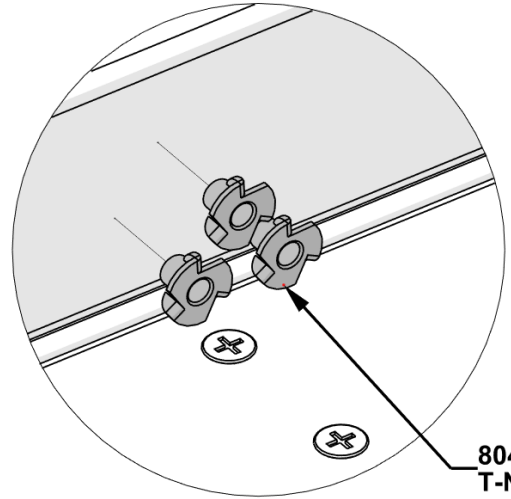
A4M02627 HASP LOCK
(x1)

QTY	PART NUMBER	DESCRIPTION
2	H100395	SCREW PFH 8x3/4 BLK
3	H100804	T-NUT 8/32 BLK
3	H100807	SCREW POH-MS 8/32x1 BLK

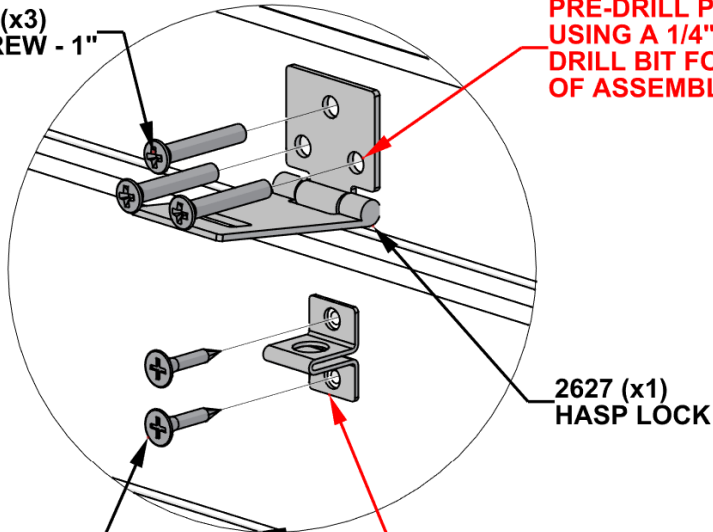
- PRE-DRILL HOLES USING A 1/4" [6mm] DRILL BIT FOR EASE OF ASSEMBLY.
- INSERT T-NUTS INTO NEW DRILLED HOLES.
- ALIGN PILOT HOLES.

807 (x3)
SCREW - 1"

PRE-DRILL PILOT HOLES
USING A 1/4" [6mm]
DRILL BIT FOR EASE
OF ASSEMBLY



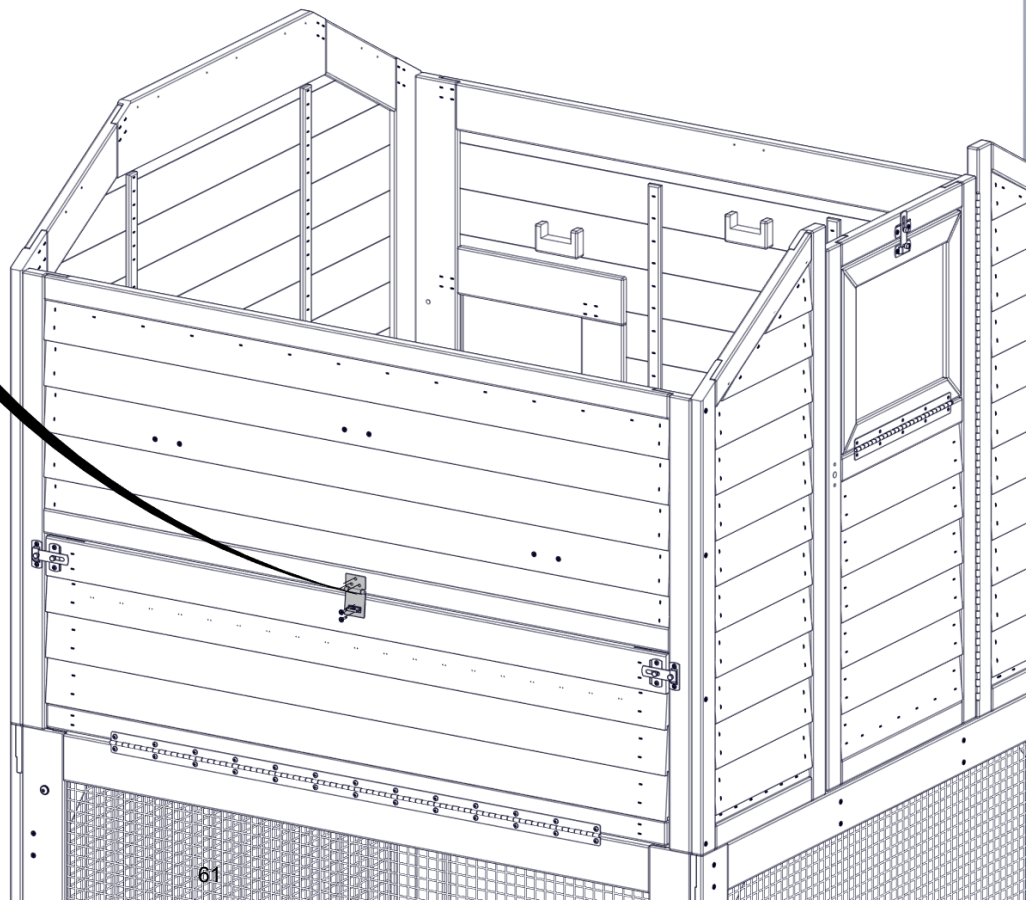
804 (x3)
T-NUT - 8/32



2627 (x1)
HASP LOCK

395 (x2)
SCREW - 3/4"

ALIGN
PILOT
HOLES



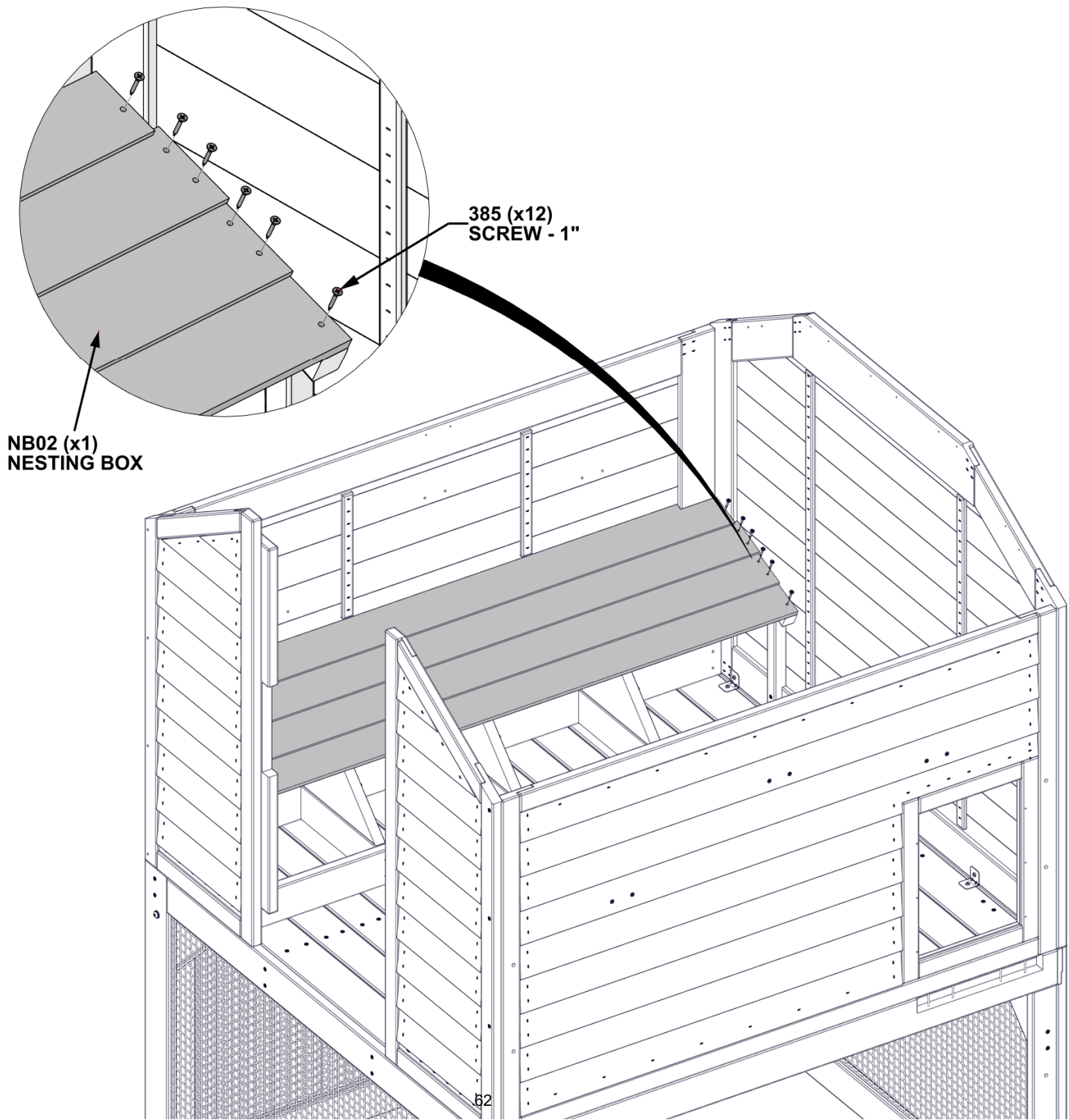
STEP 31 - CHICKEN COOP ASSEMBLY

QTY	PART NUMBER	DESCRIPTION
12	H100385	SCREW PFH 8x1 BLK



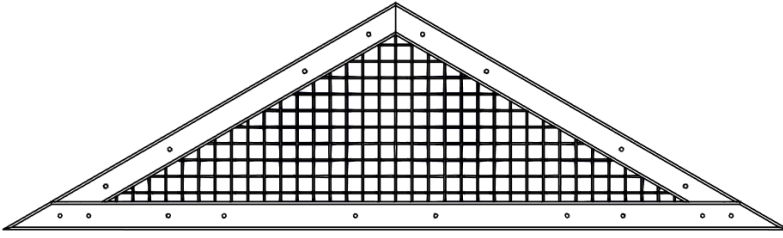
NB02 NESTING BOX - W2A04993
(x1) 7/8"x13 1/8"x54 3/4" (23x334x1390)

- ALIGN PILOT HOLES.



STEP 32 - CHICKEN COOP ASSEMBLY

QTY	PART NUMBER	DESCRIPTION
4	H100387	SCREW PFH 8x1 1/4 BLK

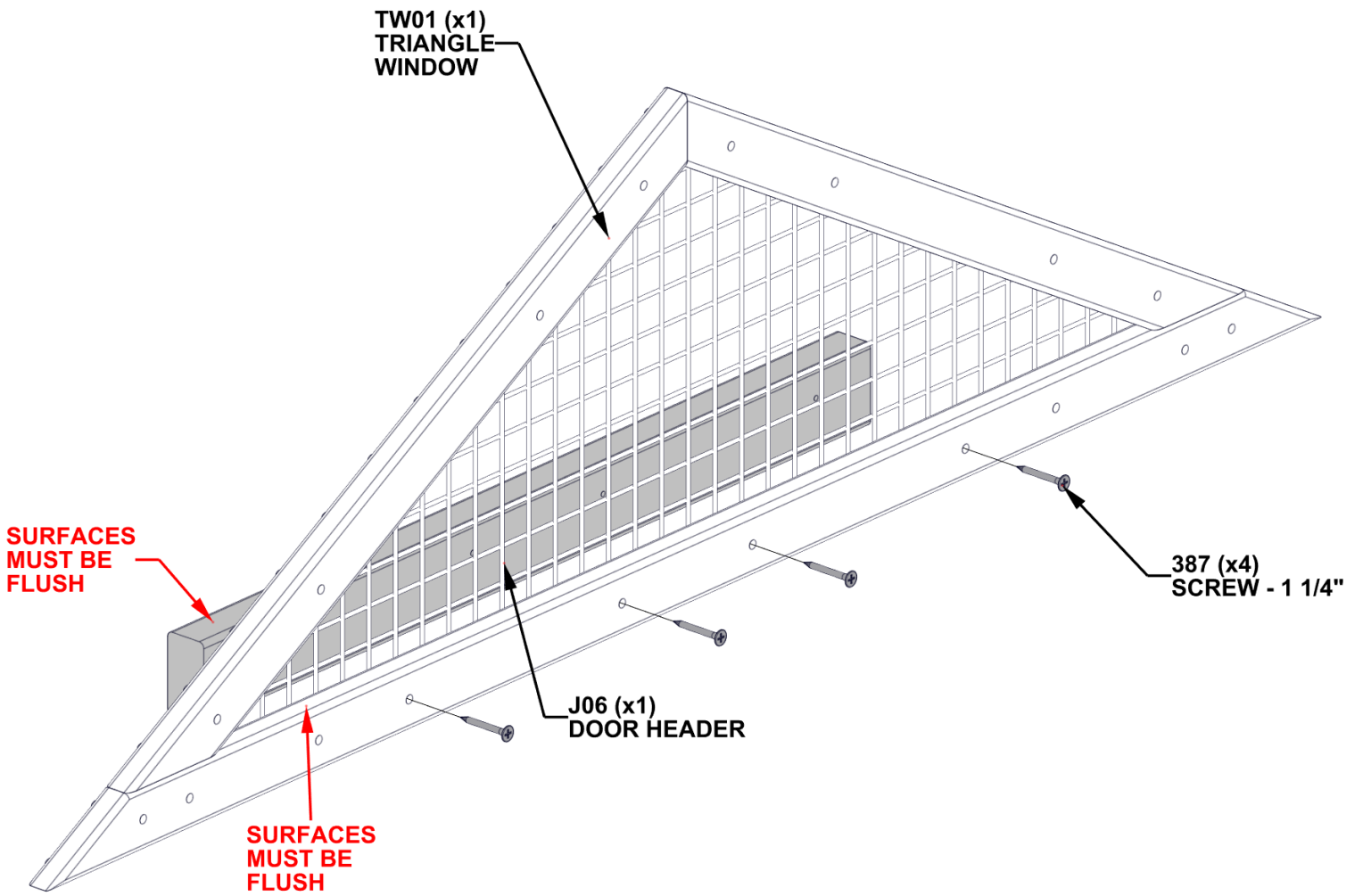


TW01 TRIANGLE WINDOW - W2A04677
(x1) 13/16"x10 7/8"x37 11/16" (20x277x958)



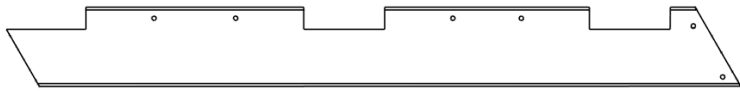
J06 DOOR HEADER - W4L21628
(x1) 15/16"x1 3/4"x19 3/4" (24x45x501)

- **ALIGN PILOT HOLES.**
- NOTE ORIENTATION OF J06 BOARD. HOLES ARE ORIENTATED TOWARDS THE TOP.

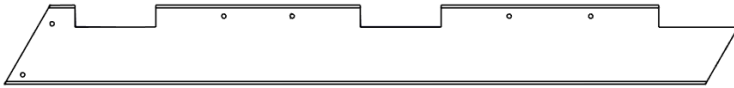


STEP 33 - CHICKEN COOP ASSEMBLY

QTY	PART NUMBER	DESCRIPTION
12	H100387	SCREW PFH 8x1 1/4 BLK



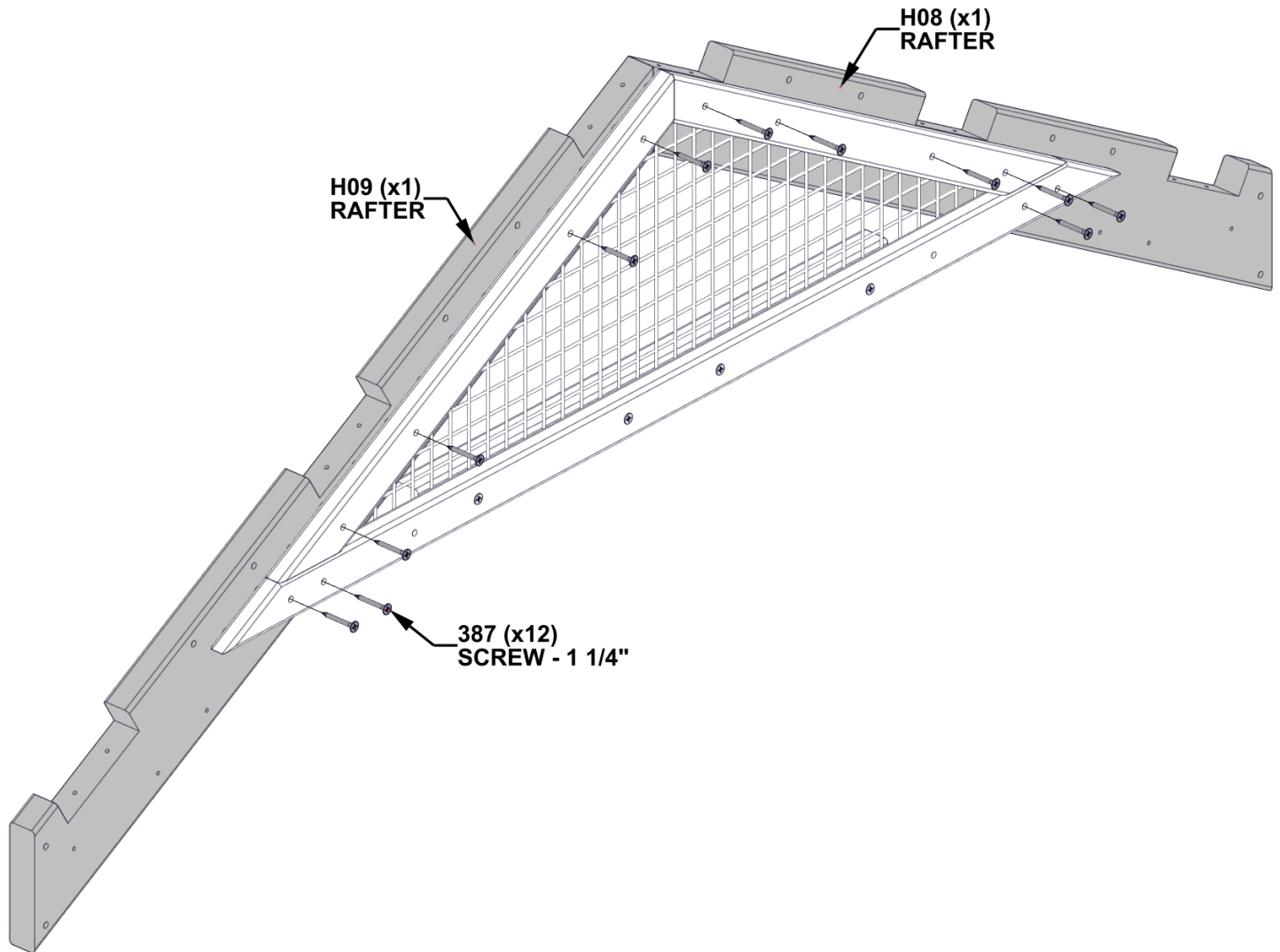
H08 RAFTER - W4L21631
(x1) 15/16"x3 3/8"x31 7/16" (24x86x798)



H09 RAFTER - W4L21630
(x1) 15/16"x3 3/8"x31 7/16" (24x86x798)

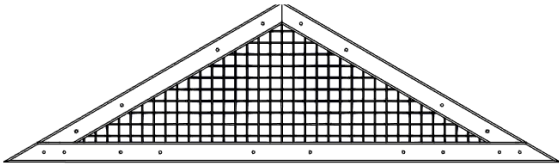
- ALIGN PILOT HOLES.

- SET ASSEMBLY ASIDE FOR LATER USE.

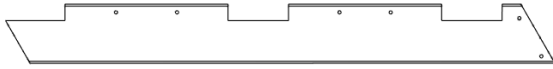


STEP 34 - CHICKEN COOP ASSEMBLY

QTY	PART NUMBER	DESCRIPTION
12	H100387	SCREW PFH 8x1 1/4 BLK



TW01 TRIANGLE WINDOW - W2A04677
(x1) 13/16"x10 7/8"x37 11/16" (20x277x958)



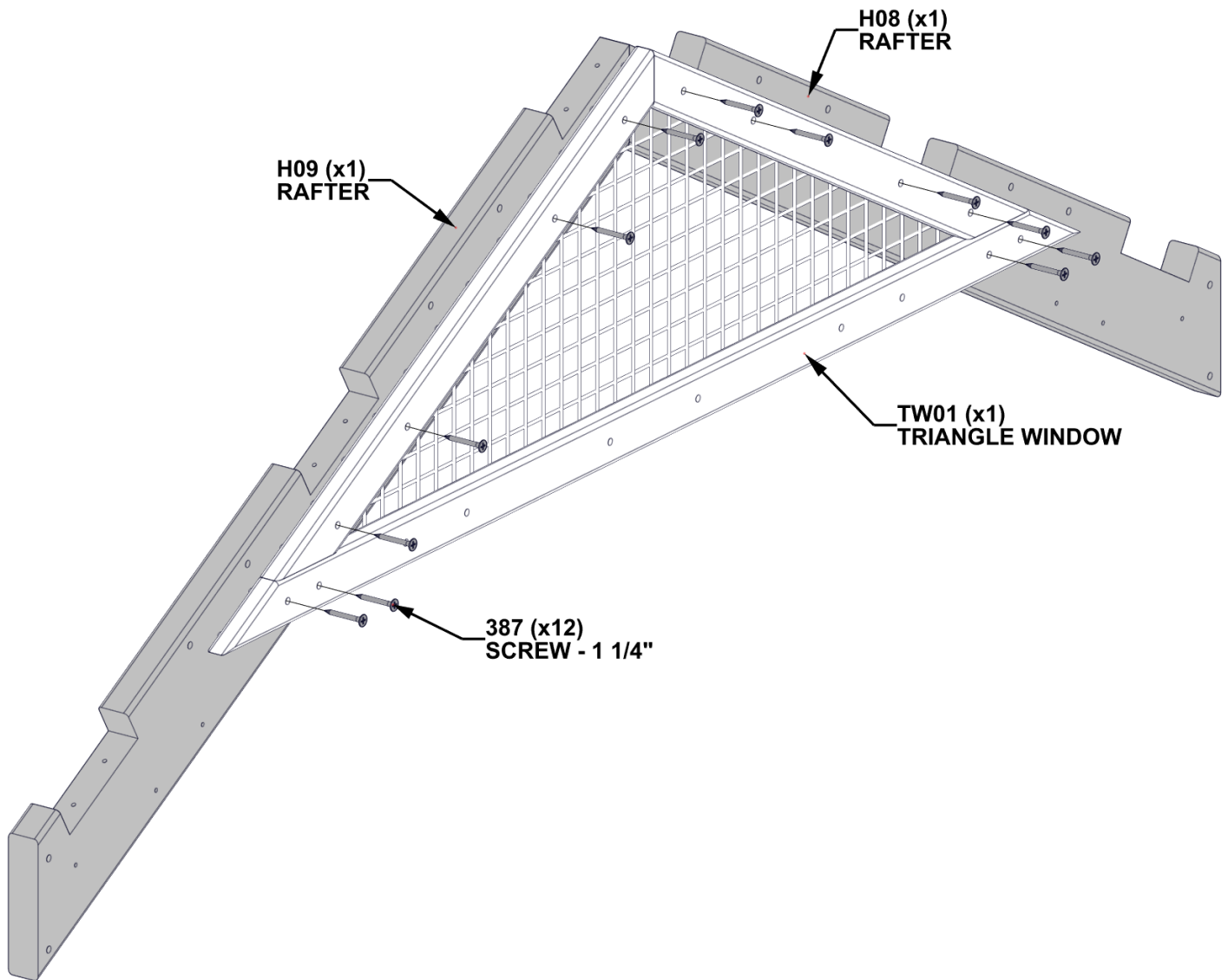
H08 RAFTER - W4L21631
(x1) 15/16"x3 3/8"x31 7/16" (24x86x798)



H09 RAFTER - W4L21630
(x1) 15/16"x3 3/8"x31 7/16" (24x86x798)

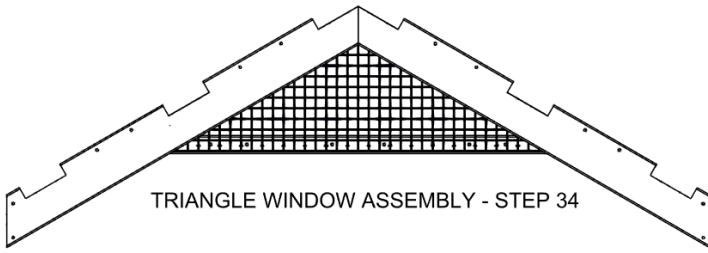
- ALIGN PILOT HOLES.

- SET ASSEMBLY ASIDE FOR LATER USE.

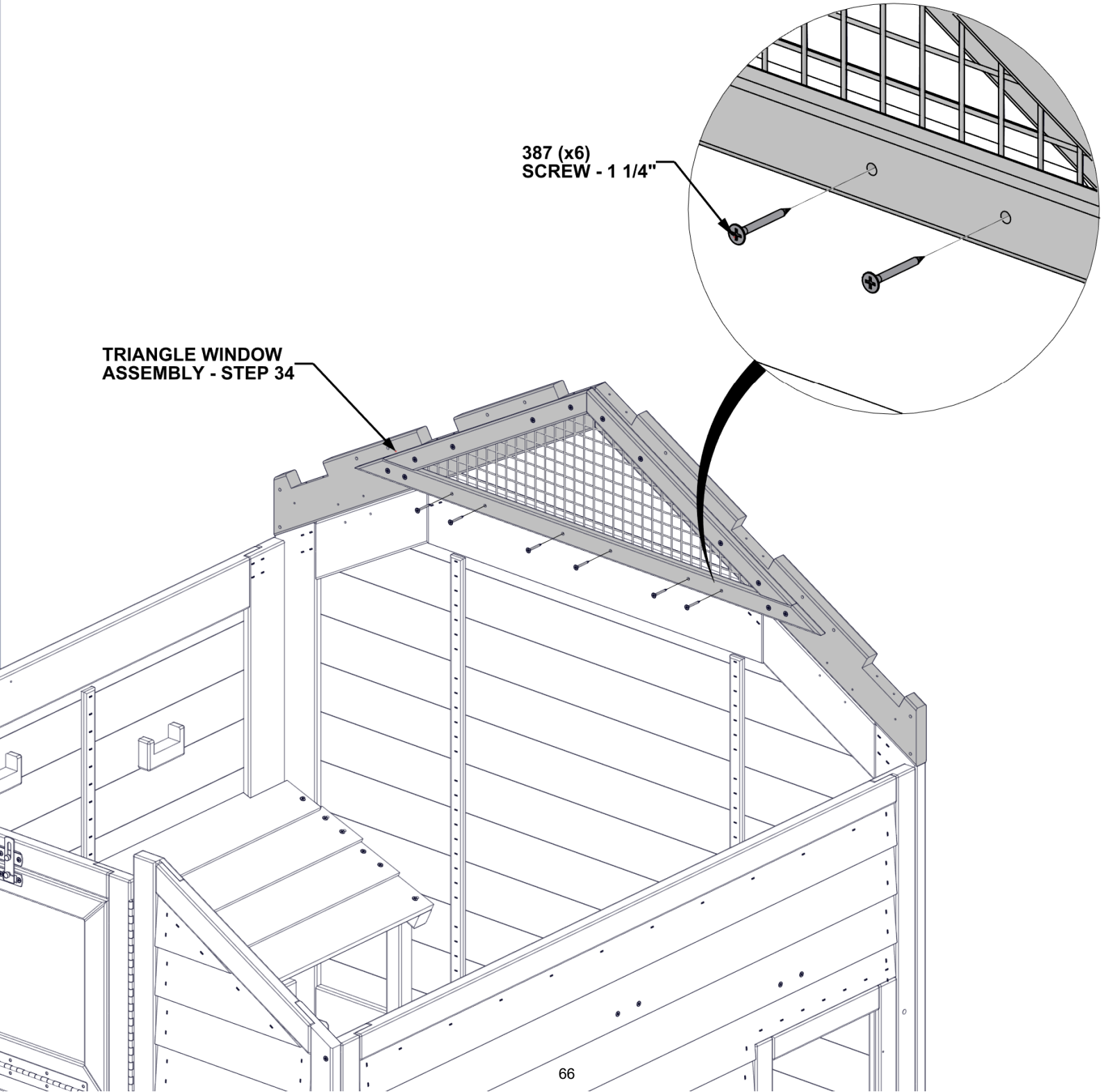


STEP 35 - CHICKEN COOP ASSEMBLY

QTY	PART NUMBER	DESCRIPTION
6	H100387	SCREW PFH 8x1 1/4 BLK

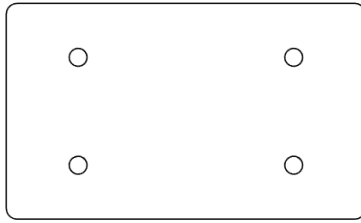


- ALIGN PILOT HOLES.



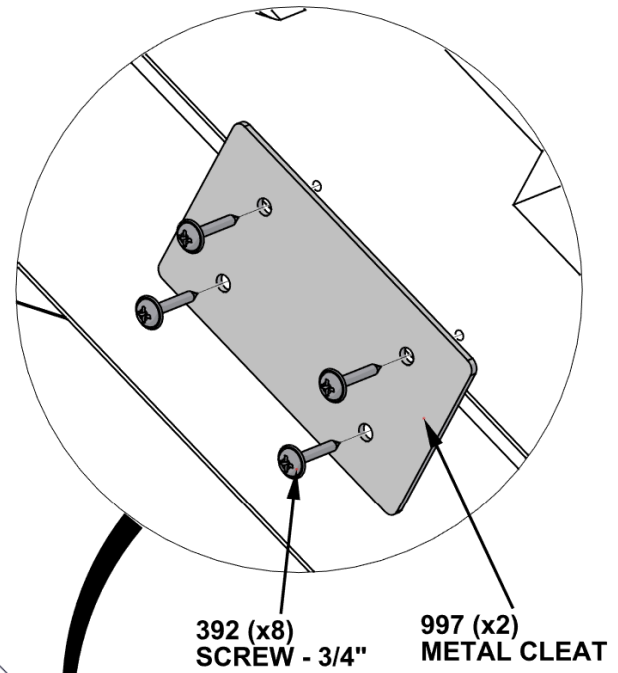
STEP 36 - CHICKEN COOP ASSEMBLY

QTY	PART NUMBER	DESCRIPTION
8	H100392	SCREW PWH 8x3/4 BLK



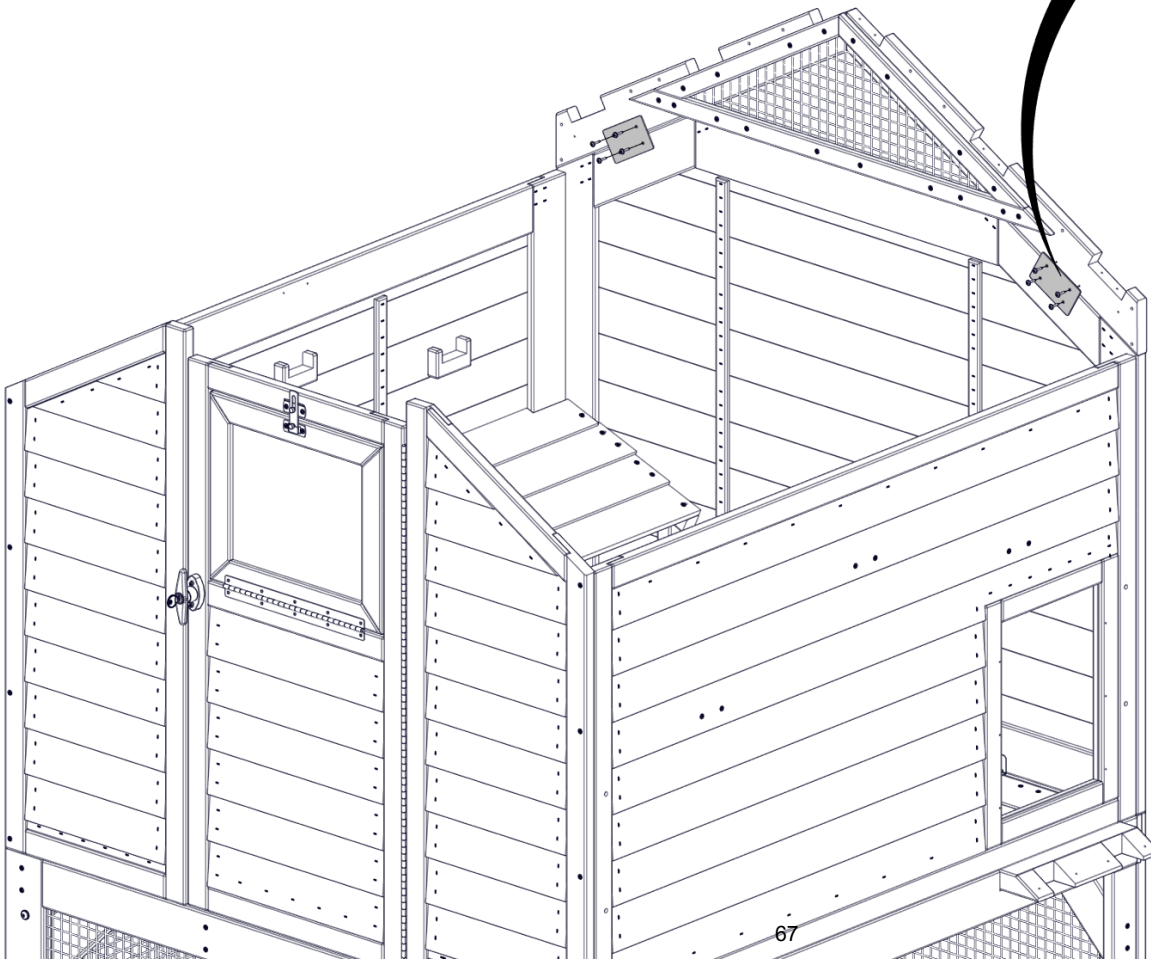
A4M00997 METAL CLEAT
(x2)

- ALIGN PILOT HOLES.



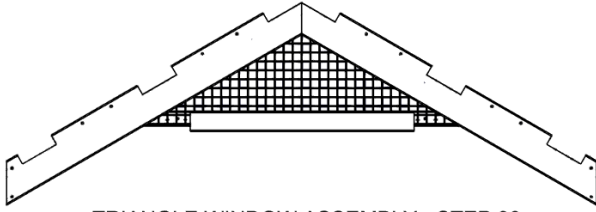
392 (x8)
SCREW - 3/4"

997 (x2)
METAL CLEAT

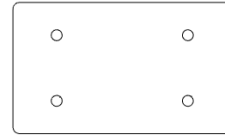


STEP 37 - CHICKEN COOP ASSEMBLY

QTY	PART NUMBER	DESCRIPTION
2	H100387	SCREW PFH 8x1 1/4 BLK
8	H100392	SCREW PWH 8x3/4 BLK

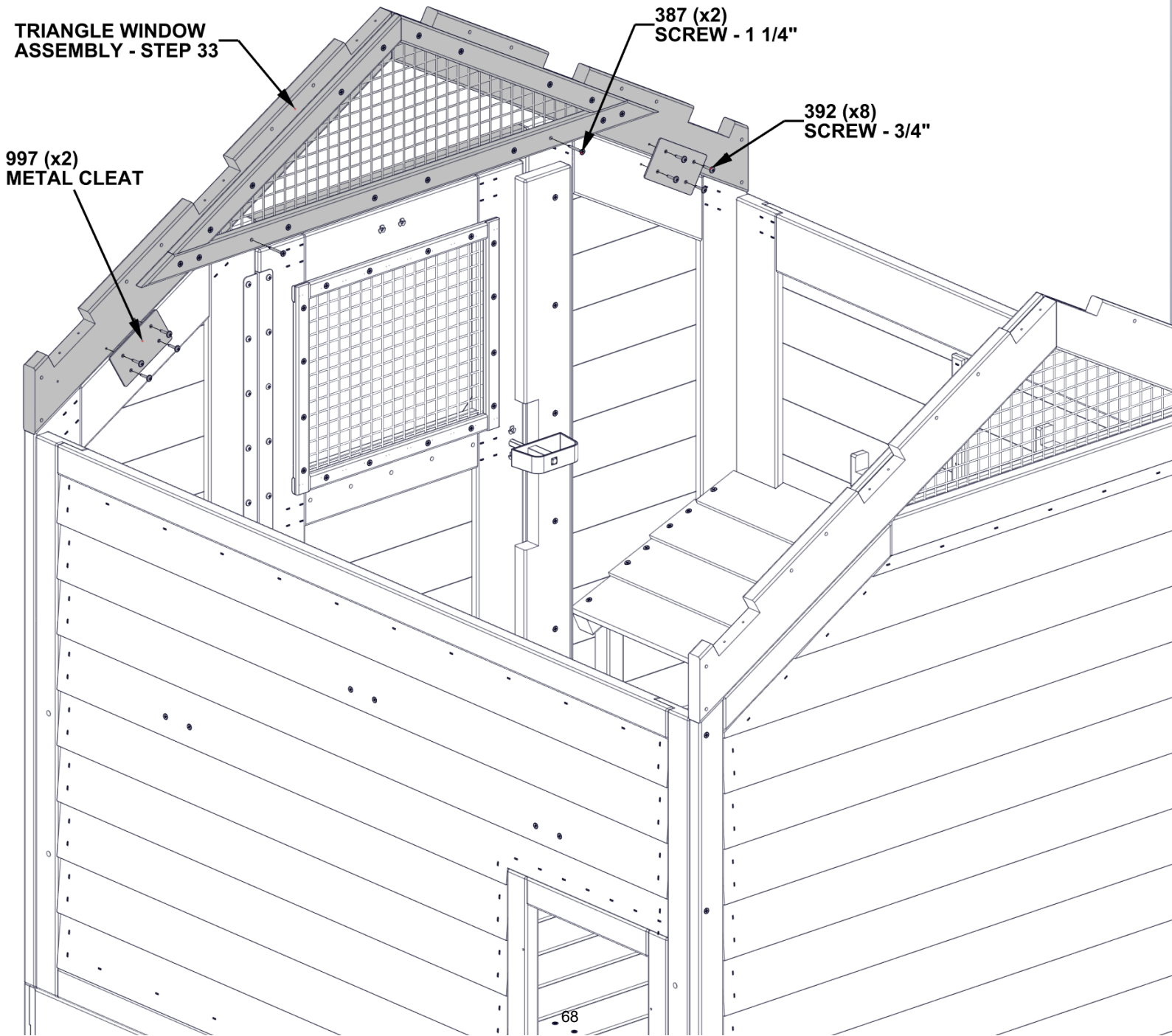


TRIANGLE WINDOW ASSEMBLY - STEP 33



A4M00997 METAL CLEAT
(x2)

- ALIGN PILOT HOLES.



STEP 38 - CHICKEN COOP ASSEMBLY

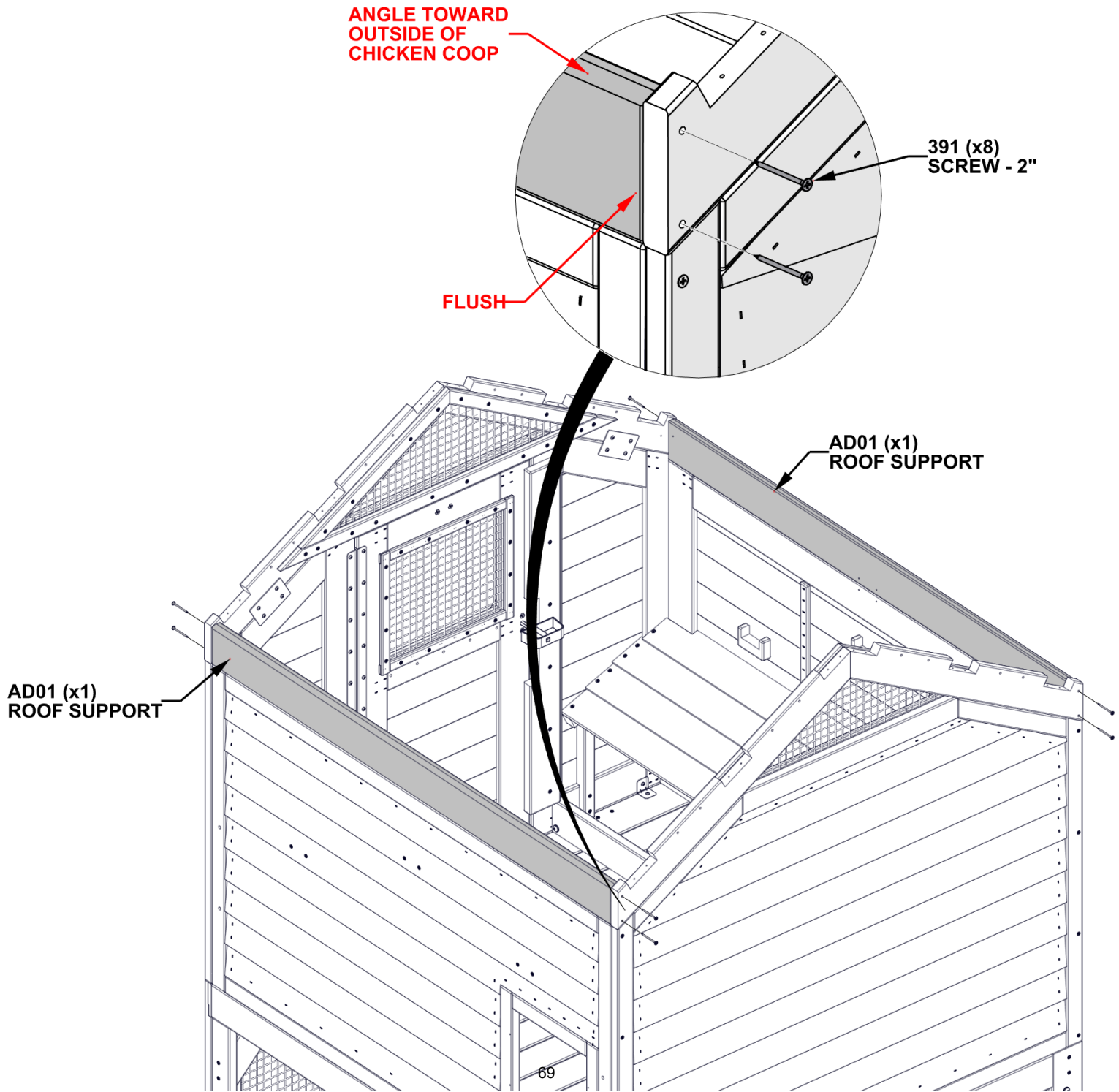
QTY	PART NUMBER	DESCRIPTION
8	H100391	SCREW PFH 8x2 BLK



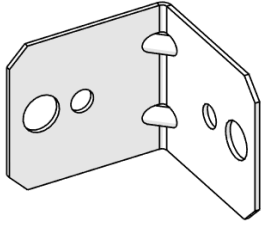
AD01 ROOF SUPPORT - W4L21632
(x2) 15/16"x4"x53 7/8" (24x102x1368)

- **ALIGN PILOT HOLES.**

- NOTE ORIENTATION OF AD01 BOARD, CUT ANGLE FACES OUTSIDE OF COOP ASSEMBLY.



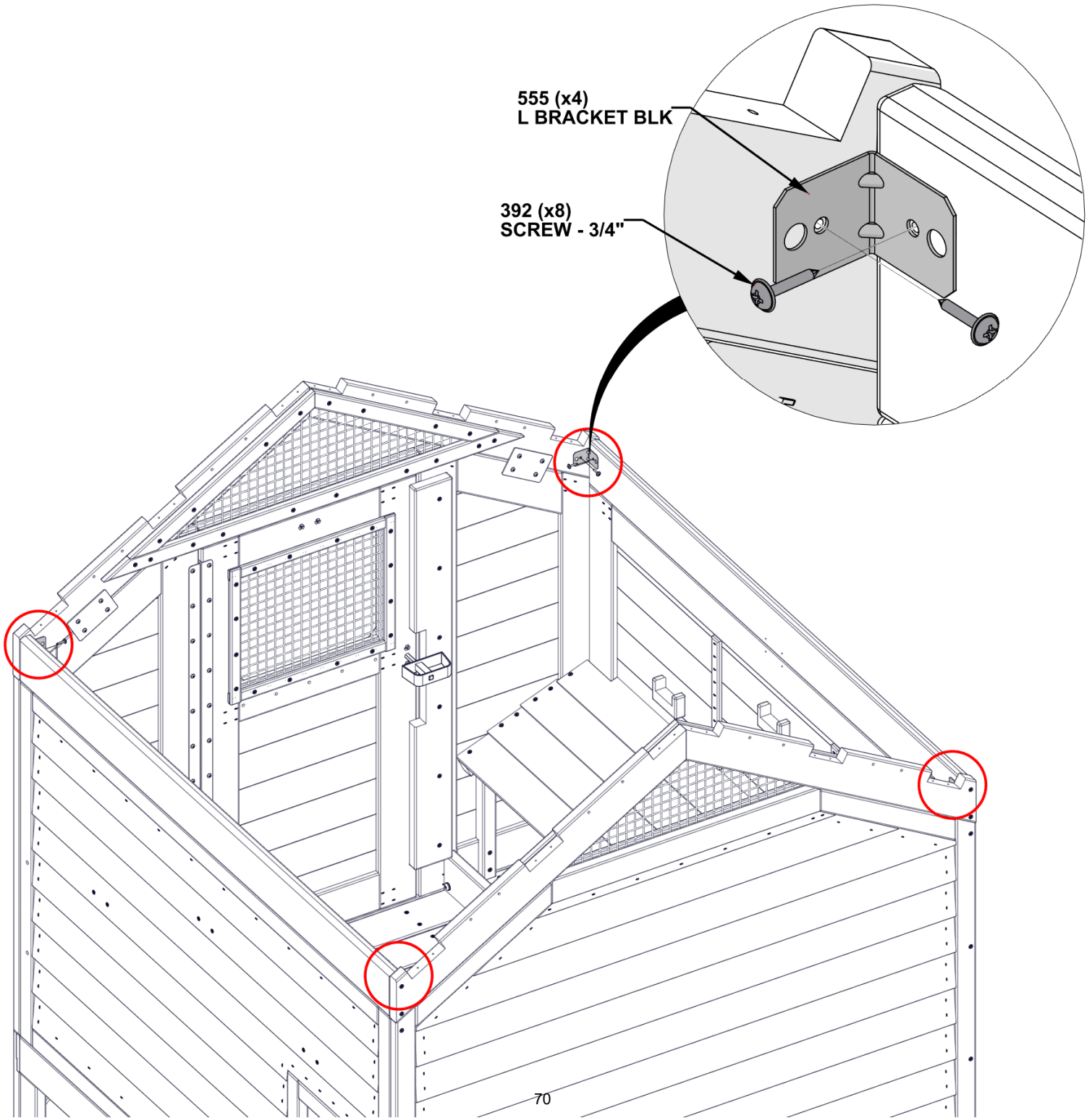
STEP 39 - CHICKEN COOP ASSEMBLY



A4M00555 L BRACKET BLK
(x4)

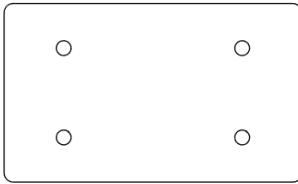
QTY	PART NUMBER	DESCRIPTION
8	H100392	SCREW PWH 8x3/4 BLK

- ALIGN PILOT HOLES.



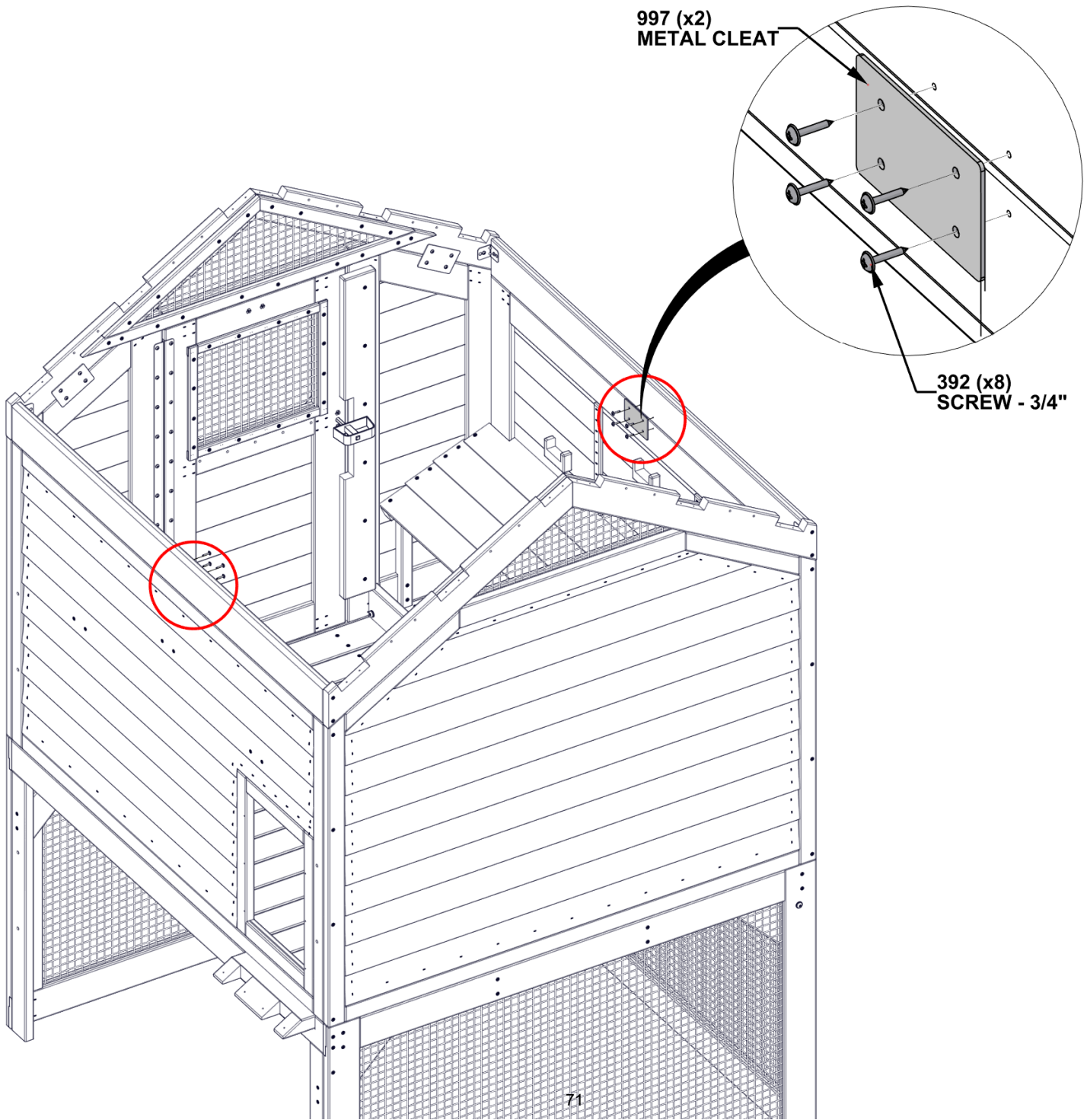
STEP 40 - CHICKEN COOP ASSEMBLY

QTY	PART NUMBER	DESCRIPTION
8	H100392	SCREW PWH 8x3/4 BLK



A4M00997 METAL CLEAT
(x2)

- ALIGN PILOT HOLES.



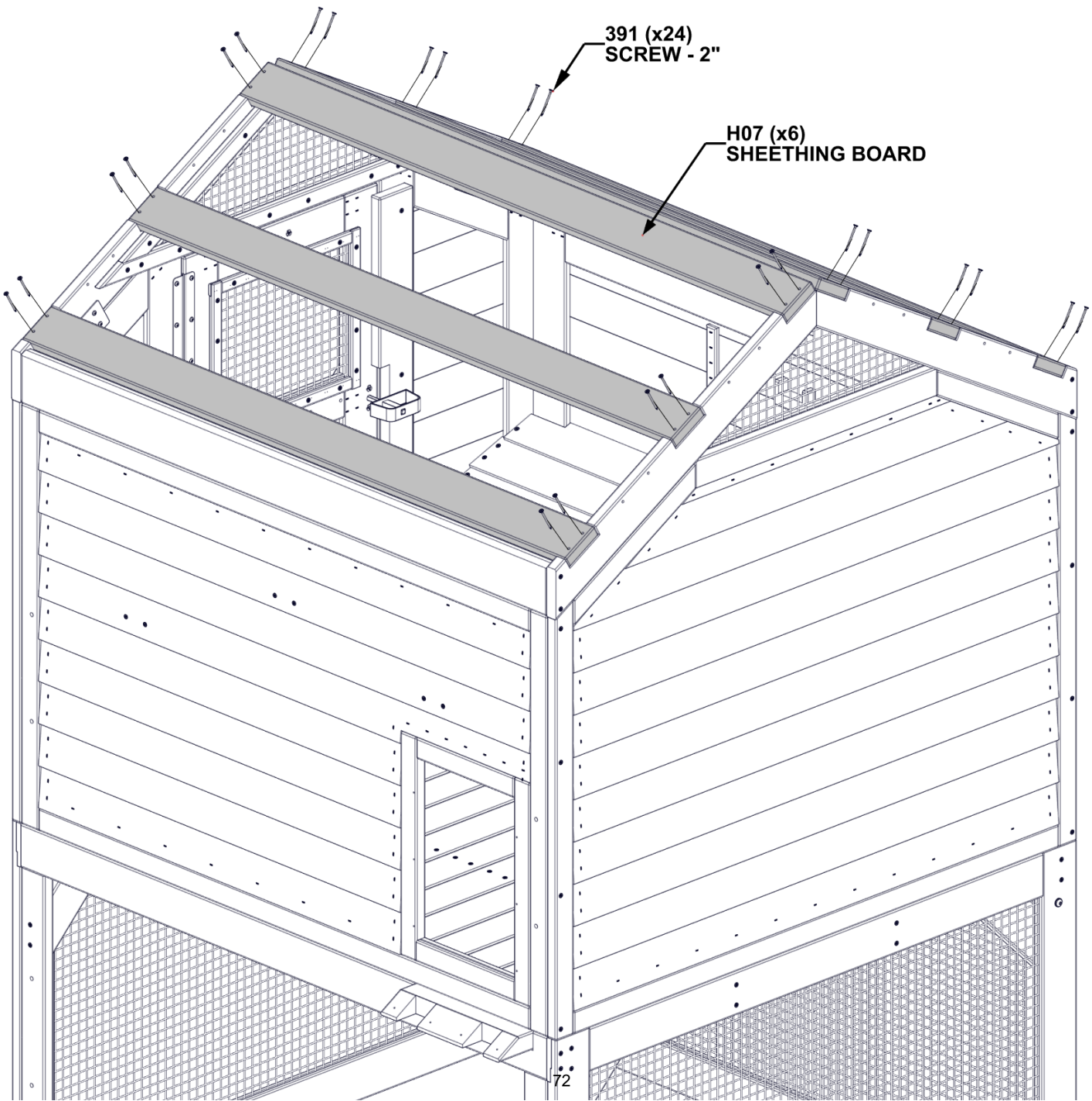
STEP 41 - CHICKEN COOP ASSEMBLY

QTY	PART NUMBER	DESCRIPTION
24	H100391	SCREW PFH 8x2 BLK



H07 SHEETHING BOARD - W4L21633
(x6) 15/16"x3 3/8"x55 11/16" (24x86x1414)

- ALIGN PILOT HOLES.



STEP 42 - CHICKEN COOP ASSEMBLY

QTY	PART NUMBER	DESCRIPTION
16	H100201	SCREW PFH 8x2 1/2 BLK

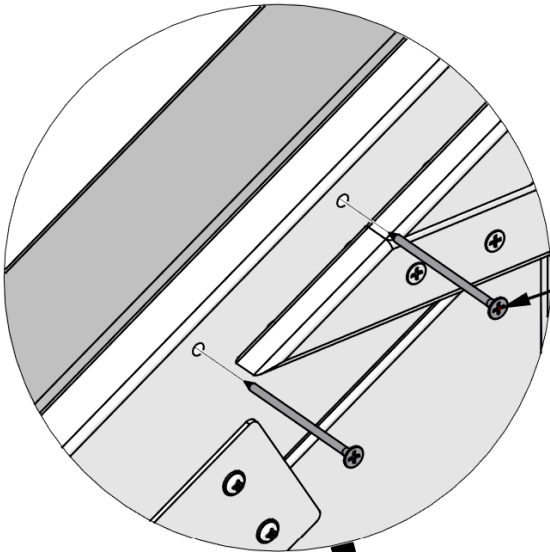


FS04 FASCIA BOARD - W4L21634
(x2) 1 1/4"x2 3/8"x36 5/16" (32x60x923)



FS03 FASCIA BOARD - W4L21637
(x2) 1 1/4"x2 3/8"x36 5/16" (32x60x923)

- ALIGN PILOT HOLES.



201 (x16)
SCREW - 2 1/2"

**ENSURE PEAKS
ARE FLUSH ON
BOTH SIDES**

FS03 (x1)
FASCIA BOARD

FS04 (x1)
FASCIA BOARD

FS04 (x1)
FASCIA BOARD

FS03 (x1)
FASCIA BOARD

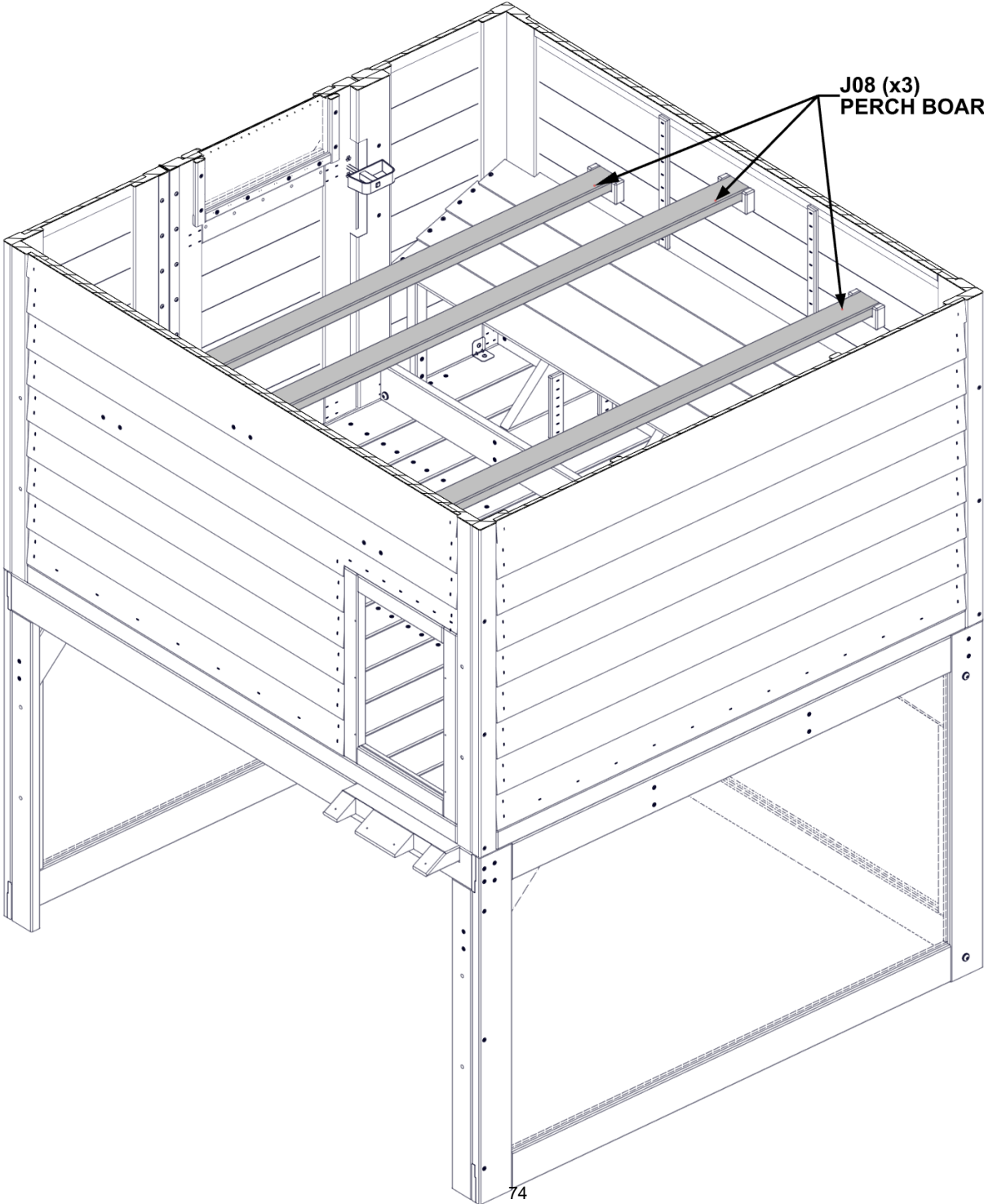
STEP 43 - CHICKEN COOP ASSEMBLY



J08 PERCH BOARD - W4L22596
(x3) 15/16"x2 3/8"x50 13/16" (24x60x1290)

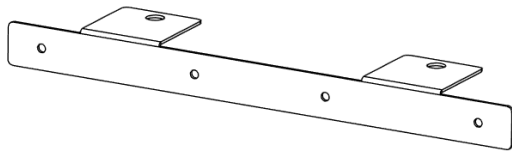
- PLACE PERCH BOARDS INSIDE PERCH SUPPORTS.

ROOF HIDDEN
TO SHOW DETAIL



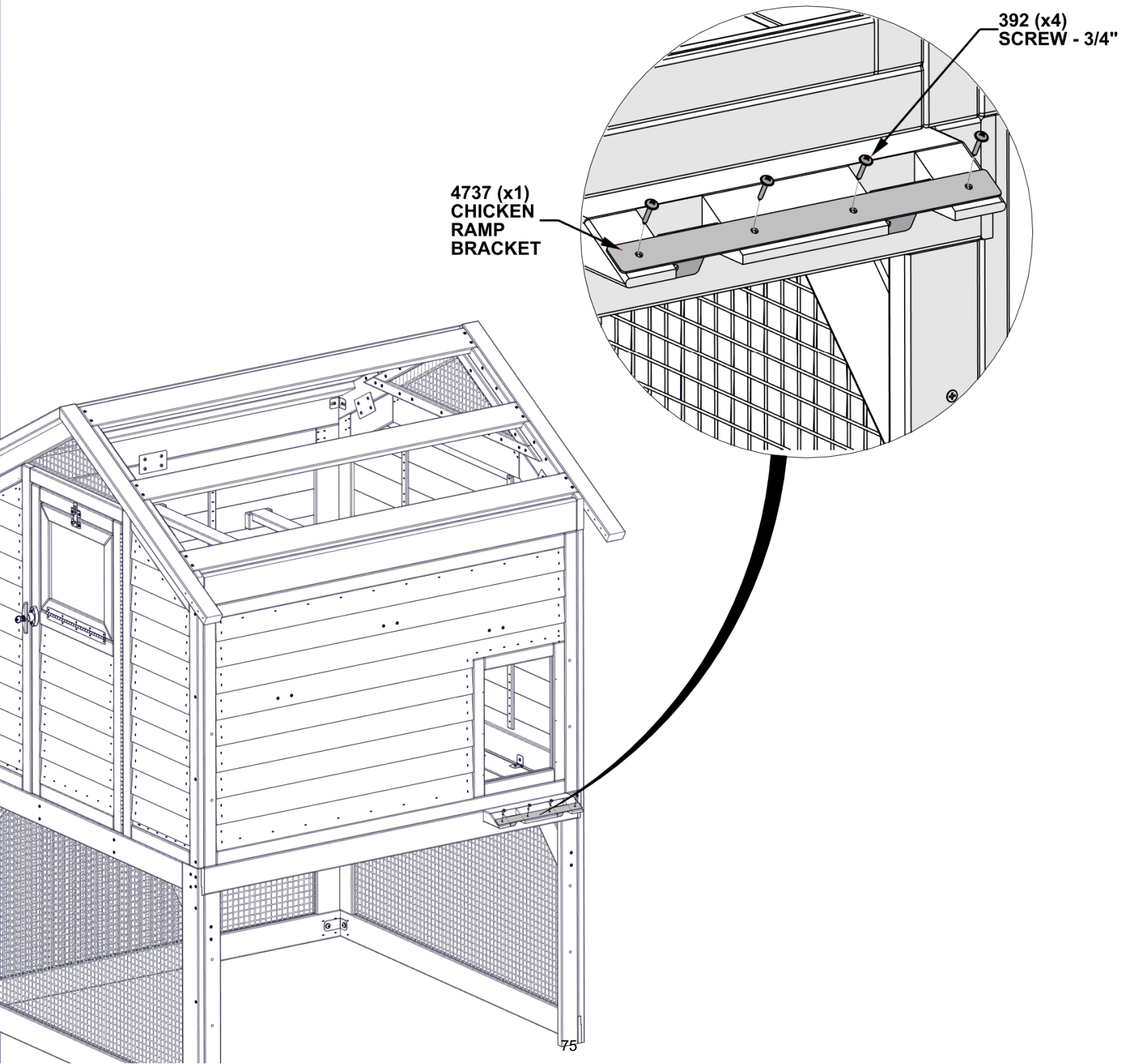
STEP 44 - CHICKEN COOP ASSEMBLY

QTY	PART NUMBER	DESCRIPTION
4	H100392	SCREW PWH 8x3/4 BLK



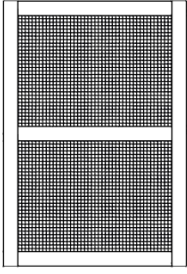
A4M04737 CHICKEN RAMP BRACKET
(x1)

- **ALIGN PILOT HOLES.**
- NOTE ORIENTATION OF 4737 BRACKET, TABS GO TOWARD THE COOP ASSEMBLY.

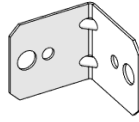


STEP 45 - CHICKEN RUN ASSEMBLY

QTY	PART NUMBER	DESCRIPTION
4	H100171	BOLT WH 1/4x1 BLK
4	H100392	SCREW PWH 8x3/4 BLK
4	H100398	TNUT-1/4" BLK

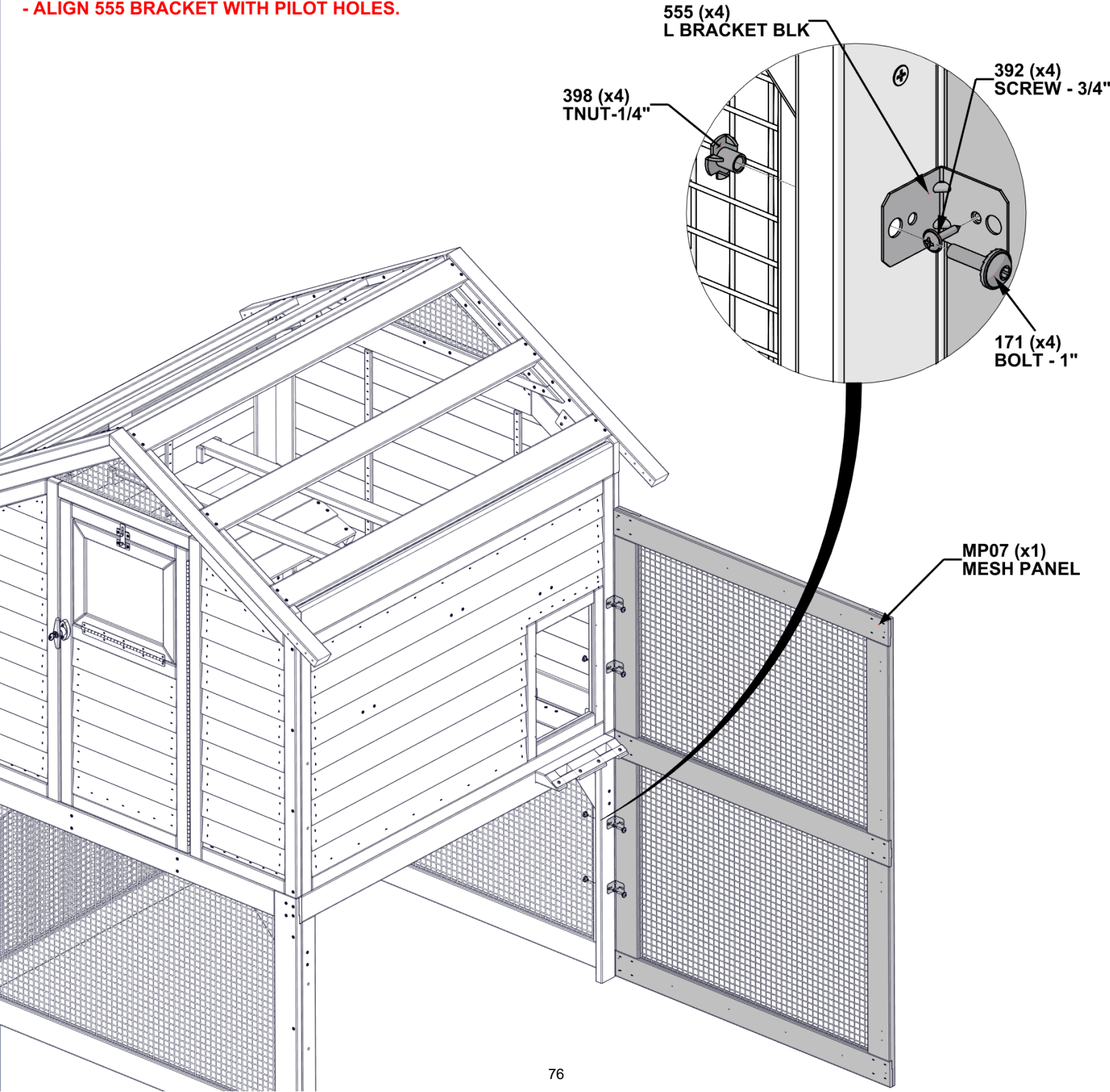


MP07 MESH PANEL - W2A04986
(x1) 15/16"x41 1/2"x60" (24x1054x1524)

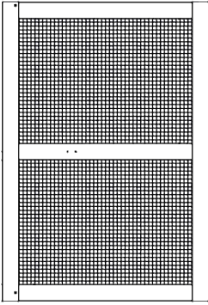


A4M00555 L BRACKET BLK
(x4)

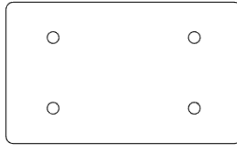
- INSERT T-NUTS FIRST.
- ALIGN 555 BRACKET WITH PILOT HOLES.



STEP 46 - CHICKEN RUN ASSEMBLY



MP08 MESH PANEL - W2A04989
(x1) 15/16"x41 1/2"x60" (24x1054x1524)

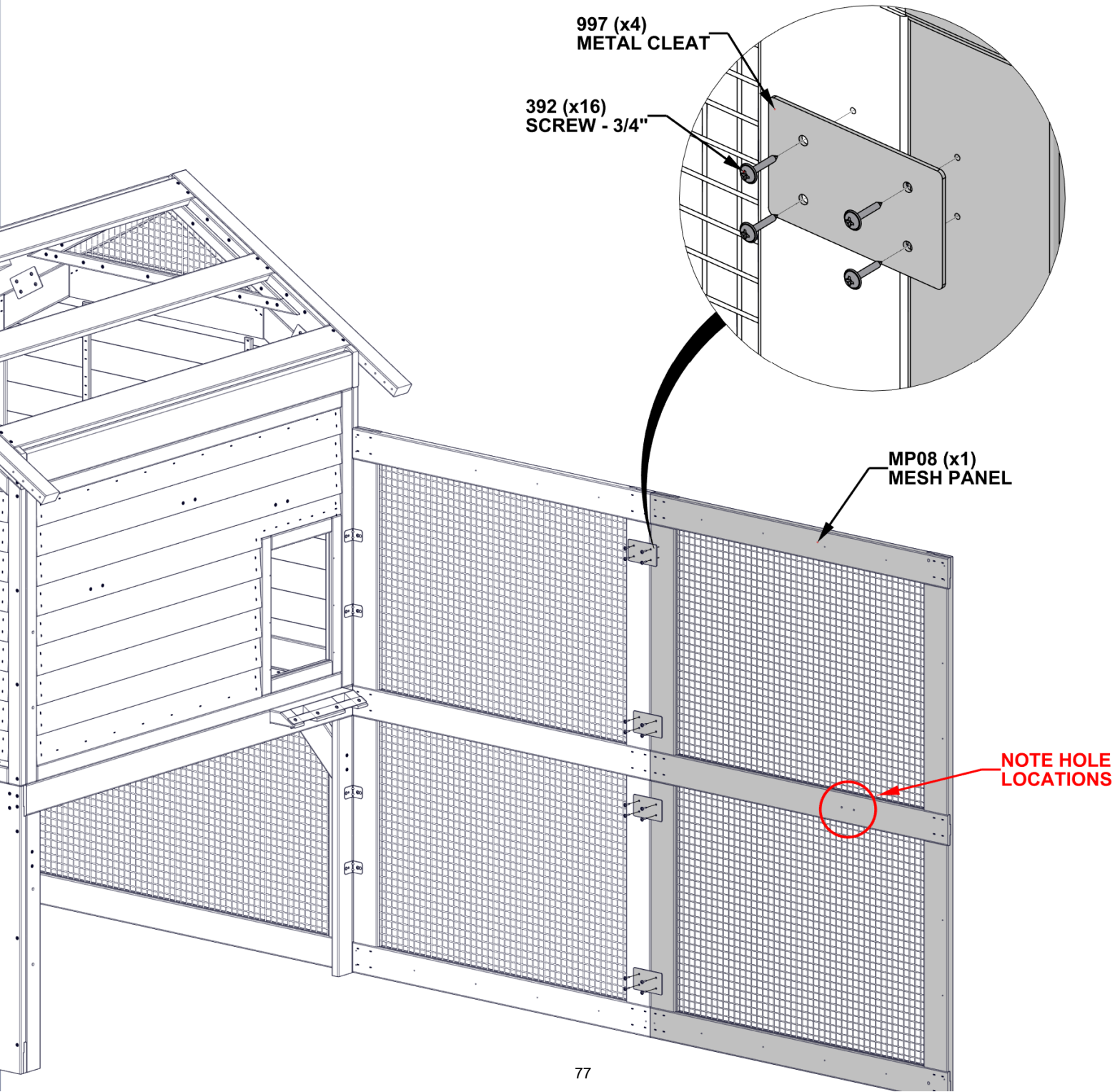


A4M00997 METAL CLEAT
(x4)

QTY	PART NUMBER	DESCRIPTION
16	H100392	SCREW PWH 8x3/4 BLK

- ALIGN PILOT HOLES.

- NOTE ORIENTATION OF MP08 MESH PANEL.



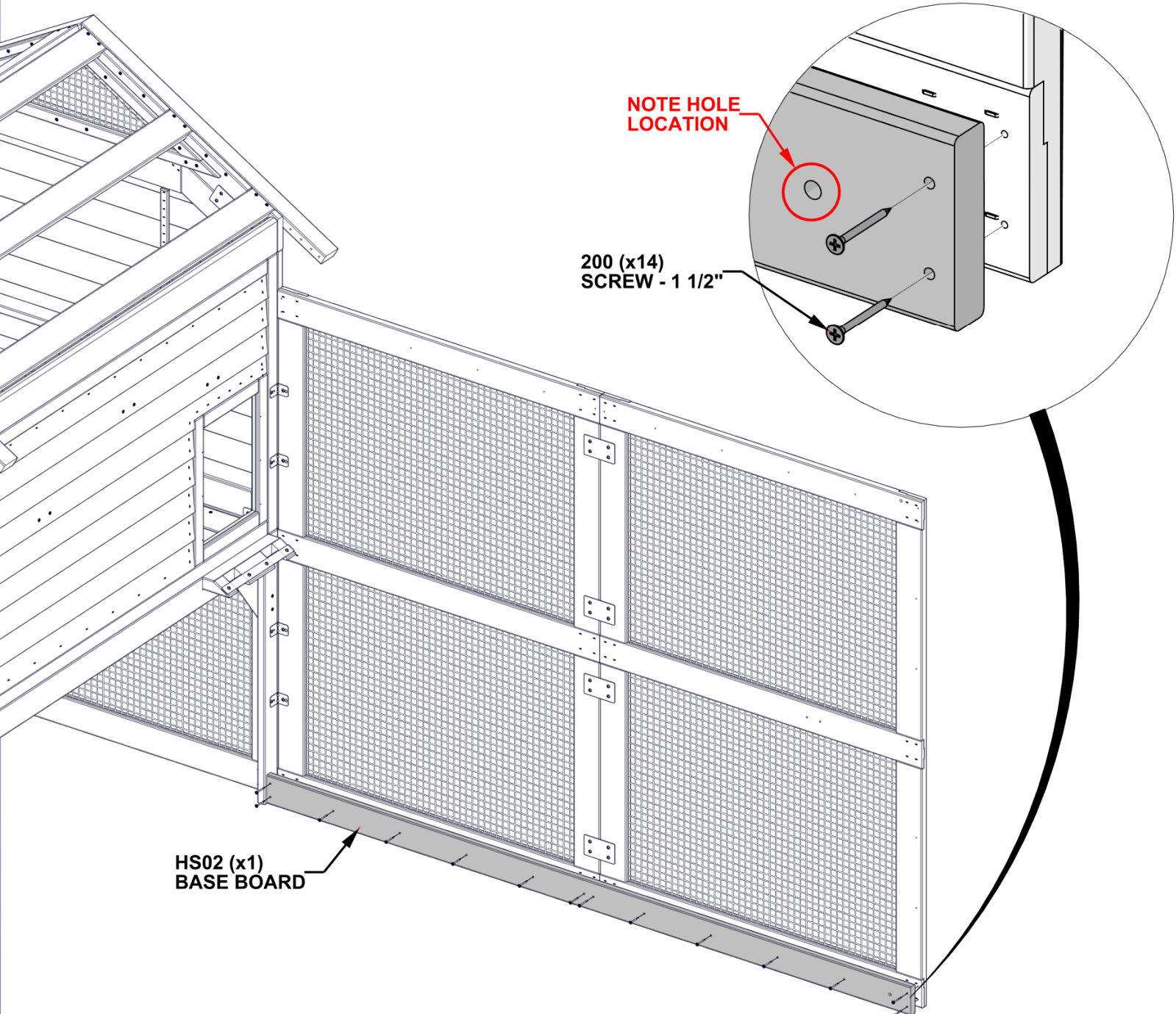
STEP 47 - CHICKEN RUN ASSEMBLY

QTY	PART NUMBER	DESCRIPTION
14	H100200	SCREW PFH 8x1 1/2 BLK



HS02 BASE BOARD - W4L21804
(x1) 13/16"x3 3/8"x83" (20x86x2108)

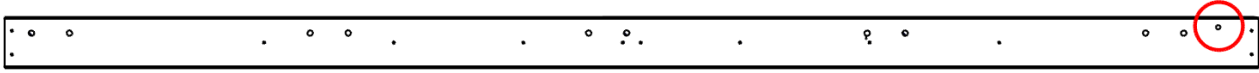
- **ALIGN PILOT HOLES.**
- NOTE ORIENTATION OF BOARD, LARGER DIAMETER HOLE WILL BE ON THE END AS SHOWN.



HS02 (x1)
BASE BOARD

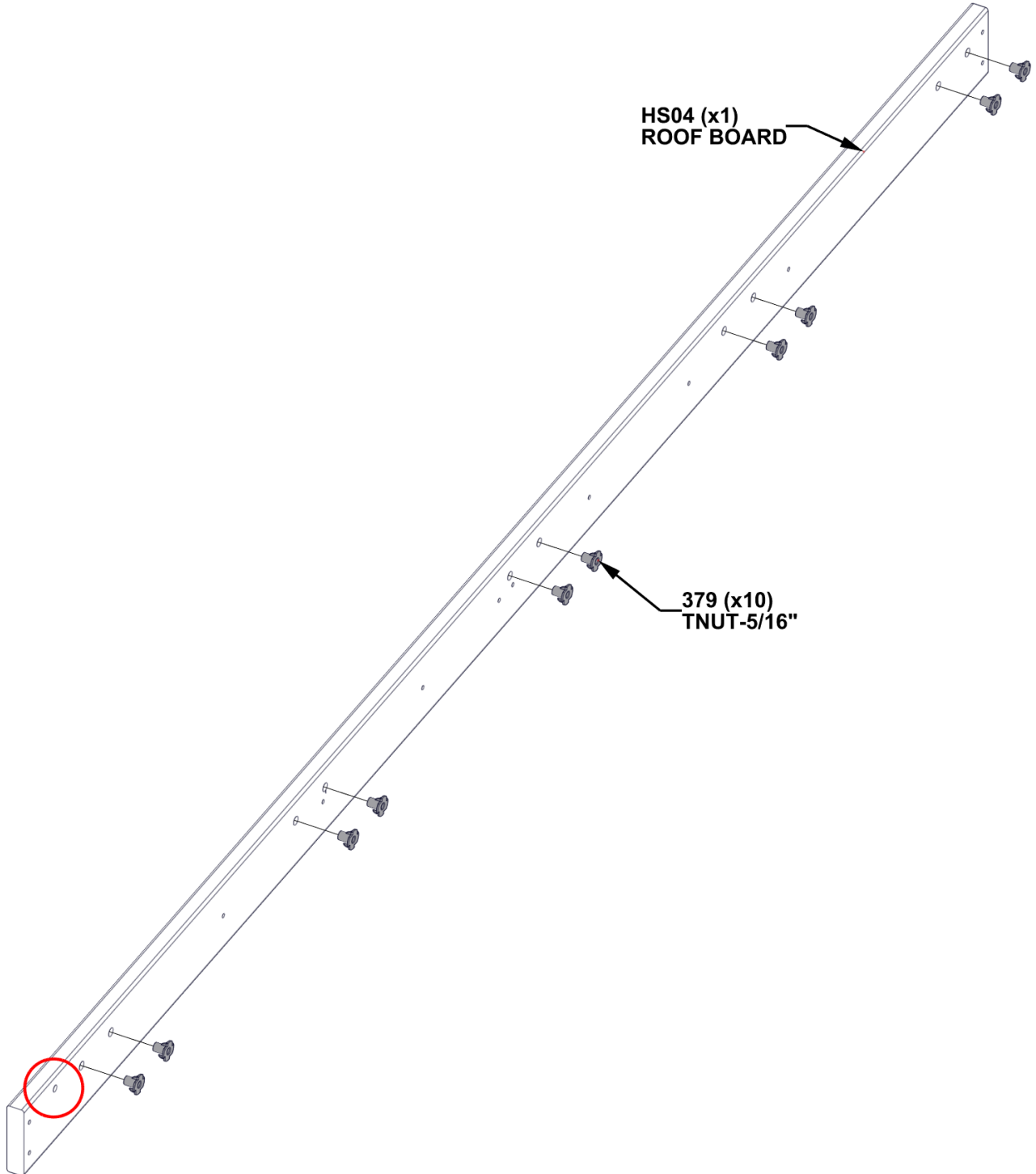
STEP 48 - CHICKEN RUN ASSEMBLY

QTY	PART NUMBER	DESCRIPTION
10	H100379	T-NUT 5/16 BLK



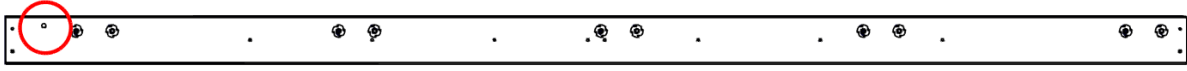
HS04 ROOF BOARD - W4L21682
(x1) 13/16"x3 3/8"x83" (20x86x2108)

- INSERT T-NUTS AS SHOWN.



STEP 49 - CHICKEN RUN ASSEMBLY

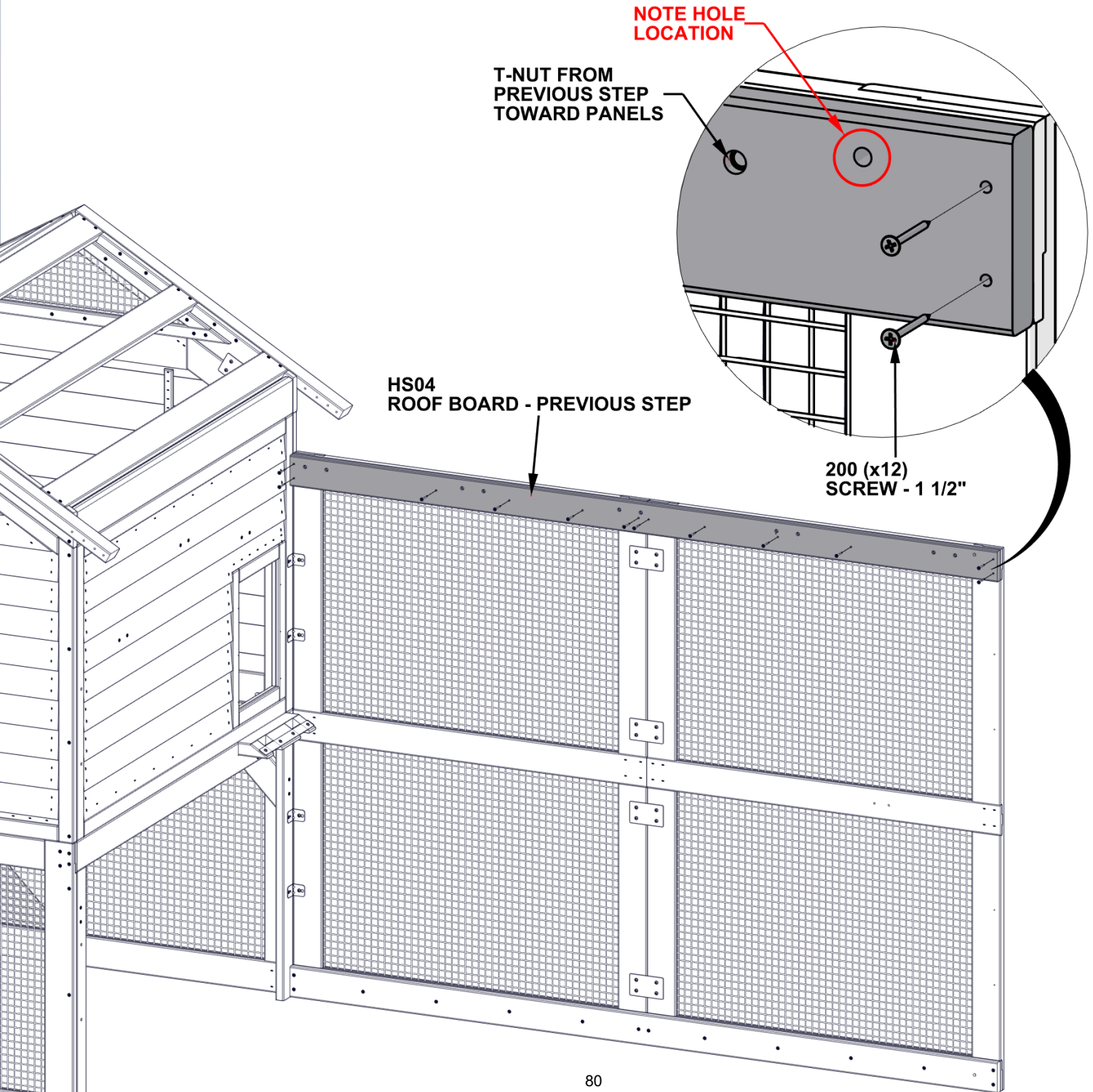
QTY	PART NUMBER	DESCRIPTION
12	H100200	SCREW PFH 8x1 1/2 BLK



HS04 ROOF BOARD ASSEMBLY - PREVIOUS STEP

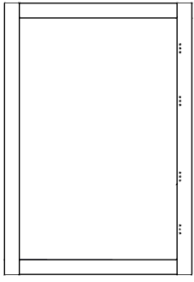
- ALIGN PILOT HOLES.

- NOTE ORIENTATION OF BOARD, SINGLE LARGER HOLE WILL BE AWAY FROM COOP HOUSE AS SHOWN..
- T-NUTS WILL BE INSTALLED TOWARD WALL PANELS.

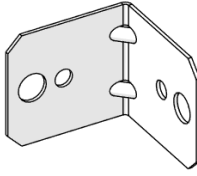


STEP 50 - CHICKEN RUN ASSEMBLY

QTY	PART NUMBER	DESCRIPTION
4	H100171	BOLT WH 1/4x1 BLK
4	H100392	SCREW PWH 8x3/4 BLK
4	H100398	TNUT-1/4" BLK



DF01 RUN DOOR FRAME - W2A04683
(x1) 15/16"x3 3/8"x 60" (24x1054x1524)



A4M00555 L BRACKET BLK
(x4)

- ALIGN PILOT HOLES.

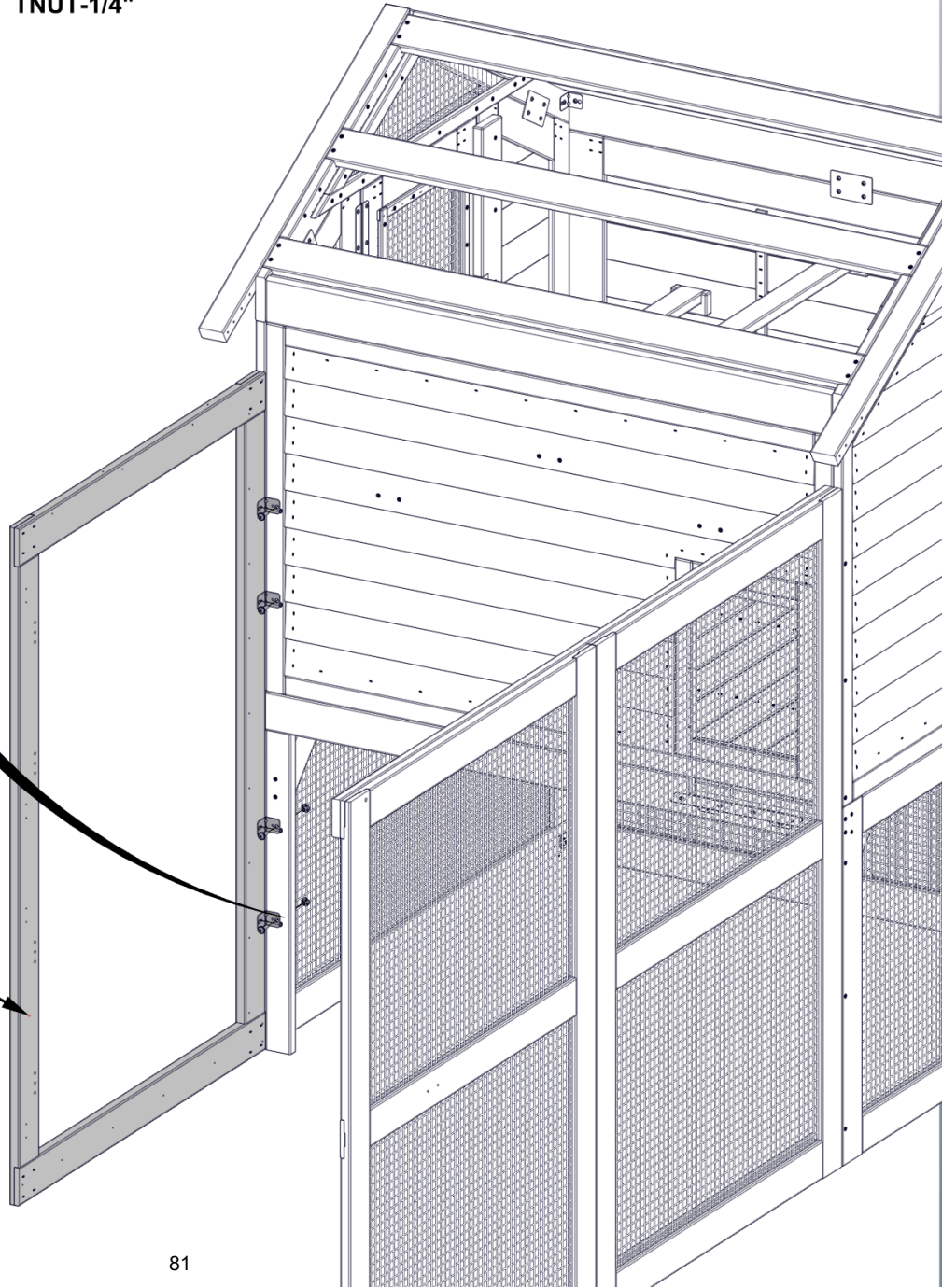
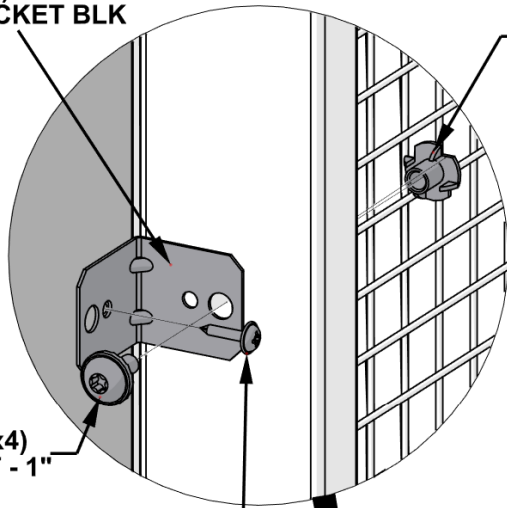
555 (x4)
L BRACKET BLK

398 (x4)
TNUT-1/4"

171 (x4)
BOLT - 1"

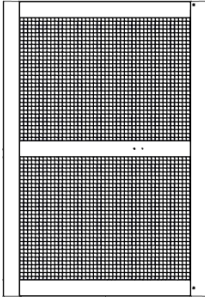
392 (x4)
SCREW - 3/4"

DF01 (x1)
RUN DOOR FRAME

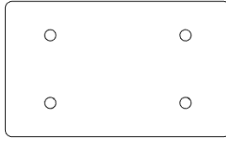


STEP 51 - CHICKEN RUN ASSEMBLY

QTY	PART NUMBER	DESCRIPTION
16	H100392	SCREW PWH 8x3/4 BLK



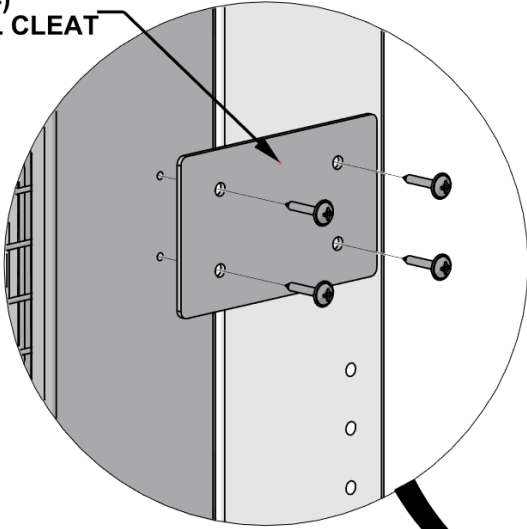
MP01 MESH PANEL - W2A04991
(x1) 15/16"x3 3/8"x60" (24x1054x1524)



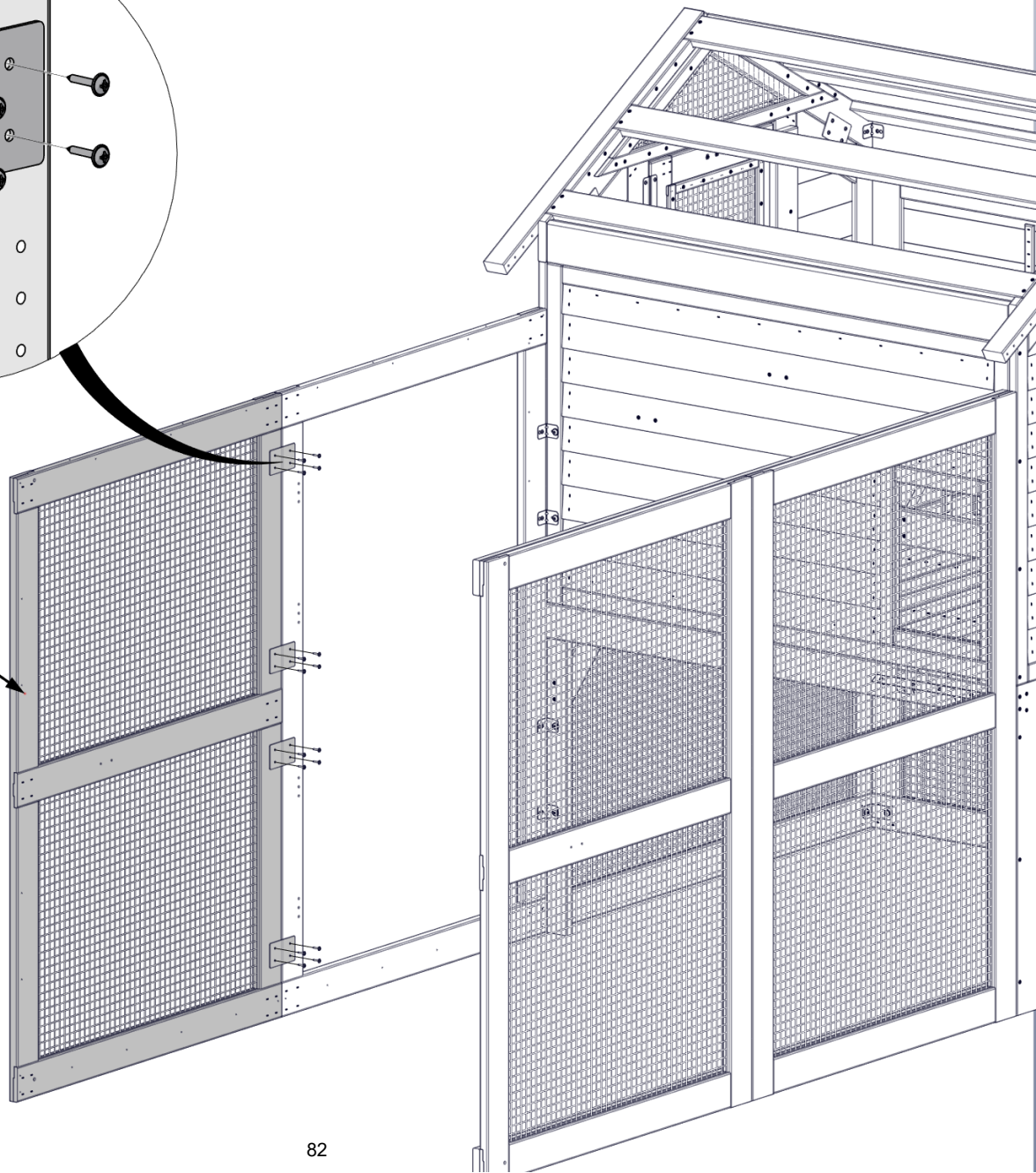
A4M00997 METAL CLEAT
(x4)

- ALIGN PILOT HOLES.

997 (x4)
METAL CLEAT

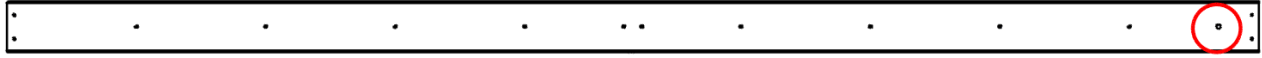


MP01 (x1)
MESH PANEL



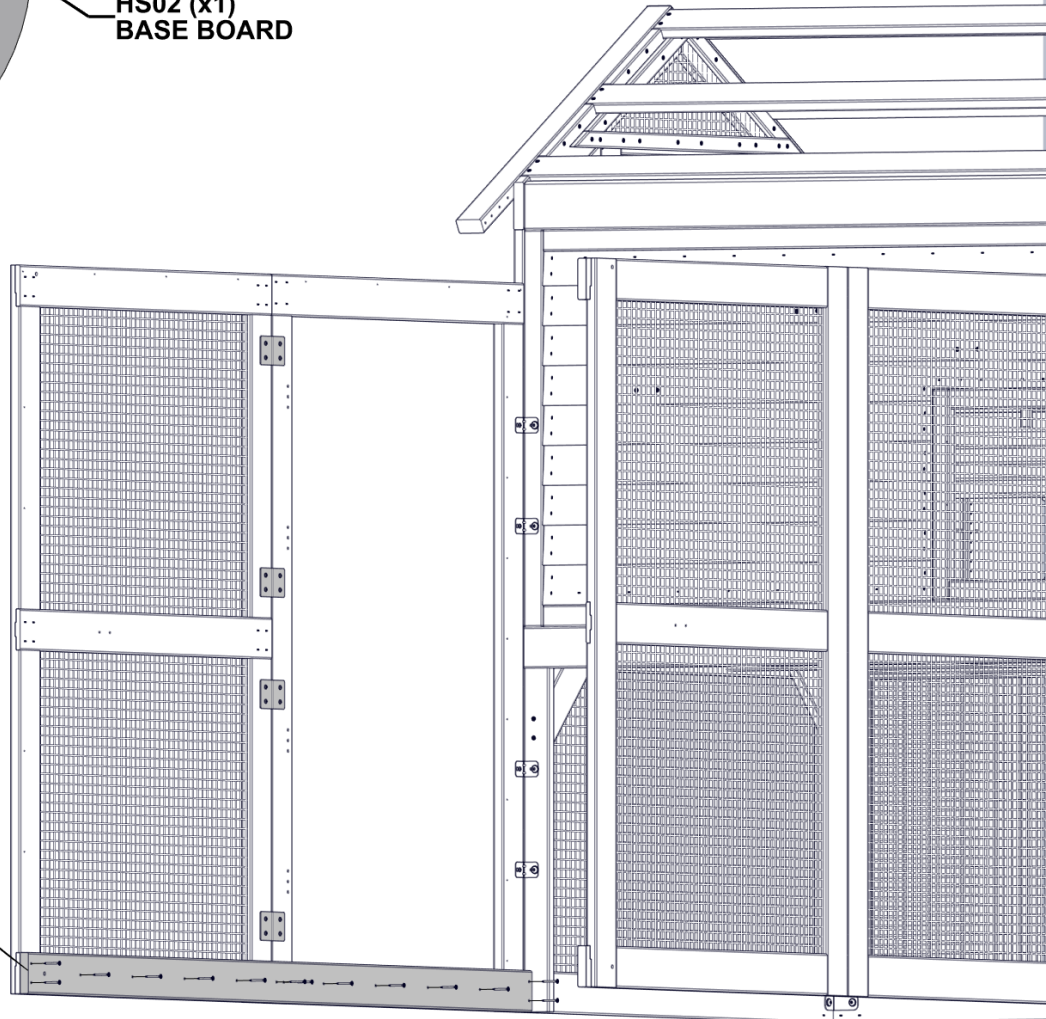
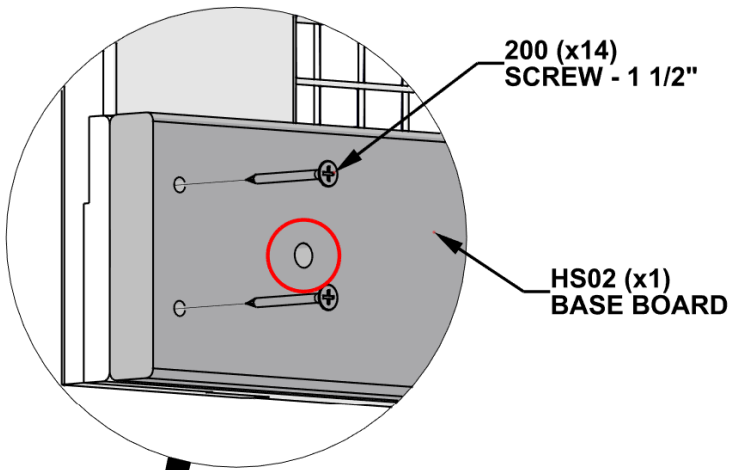
STEP 52 - CHICKEN RUN ASSEMBLY

QTY	PART NUMBER	DESCRIPTION
14	H100200	SCREW PFH 8x1 1/2 BLK



HS02 BASE BOARD - W4L21804
(x1) 13/16"x3 3/8"x83" (20x86x2108)

- NOTE ORIENTATION OF BOARD, LARGER DIAMETER HOLE WILL BE ON THE END AS SHOWN.



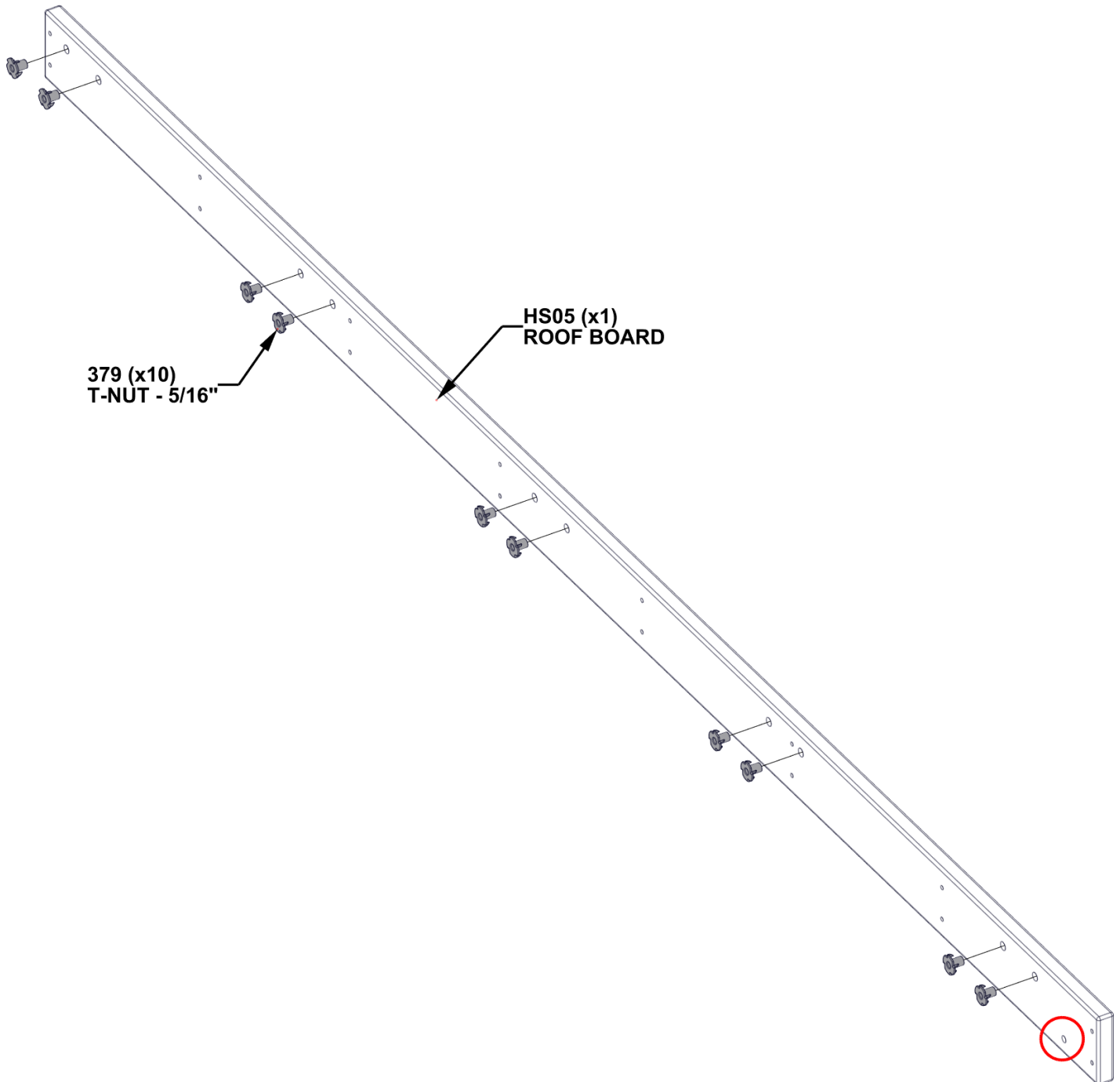
STEP 53 - CHICKEN RUN ASSEMBLY

QTY	PART NUMBER	DESCRIPTION
10	H100379	T-NUT 5/16 BLK



HS05 ROOF BOARD - W4L21683
(x1) 13/16"x3 3/8"x83" (20x86x2108)

- INSERT T-NUTS AS SHOWN.
- NOTE ORIENTATION OF BOARD.



STEP 54 - CHICKEN RUN ASSEMBLY

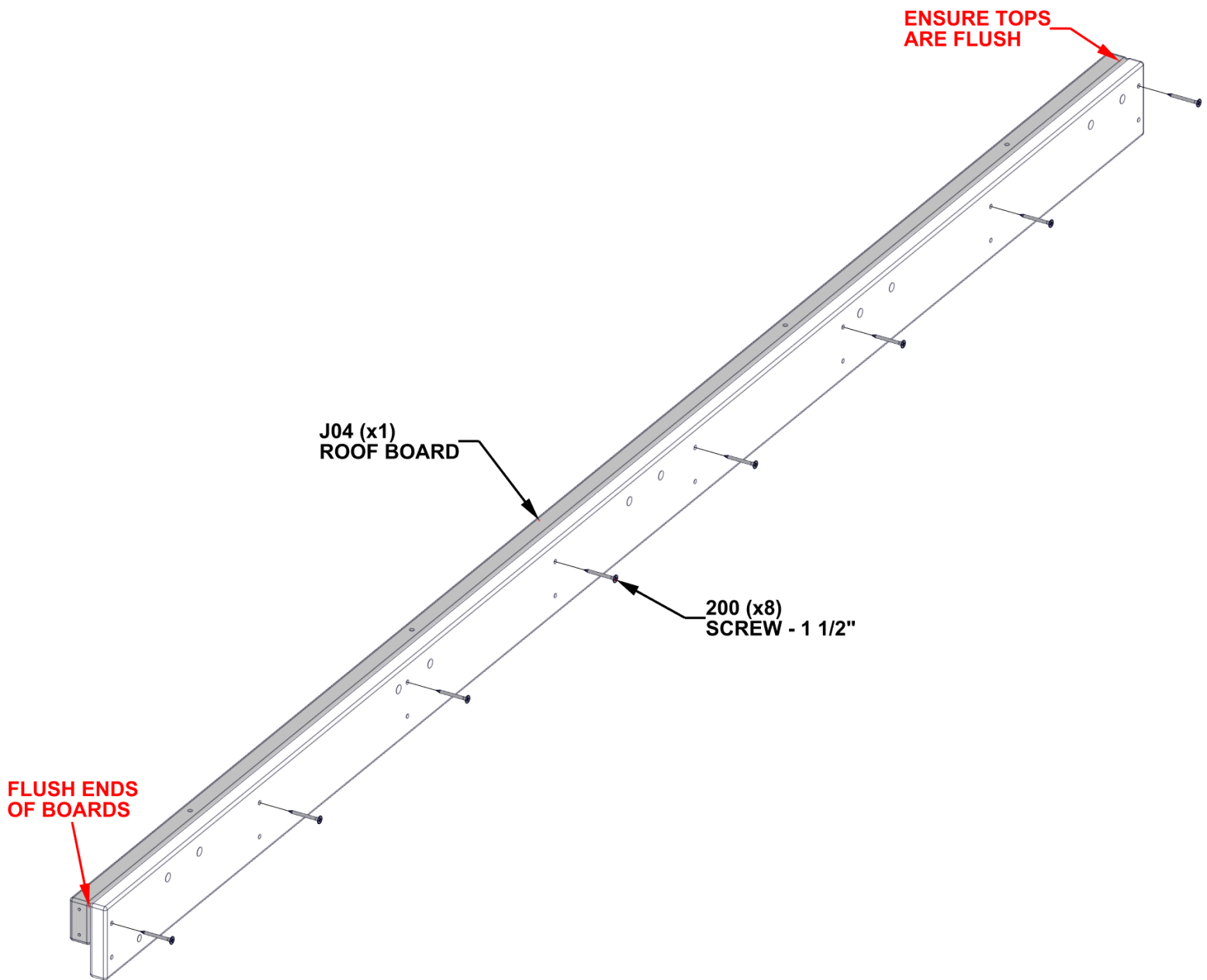
QTY	PART NUMBER	DESCRIPTION
8	H100200	SCREW PFH 8x1 1/2 BLK



J04 ROOF BOARD - W4L21681
(x1) 15/16"x1 15/16"x83" (24x50x2108)

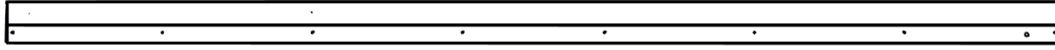
- ALIGN PILOT HOLES.

- NOTE ORIENTATION OF J04 BOARD, HOLES WILL BE ON TOP OF BOARD.
- FLUSH TOP OF J04 BOARD WITH HS05 BOARD.
- T-NUTS INSTALLED IN PREVIOUS STEP ARE LOCATED BETWEEN THE WOODEN BOARDS.



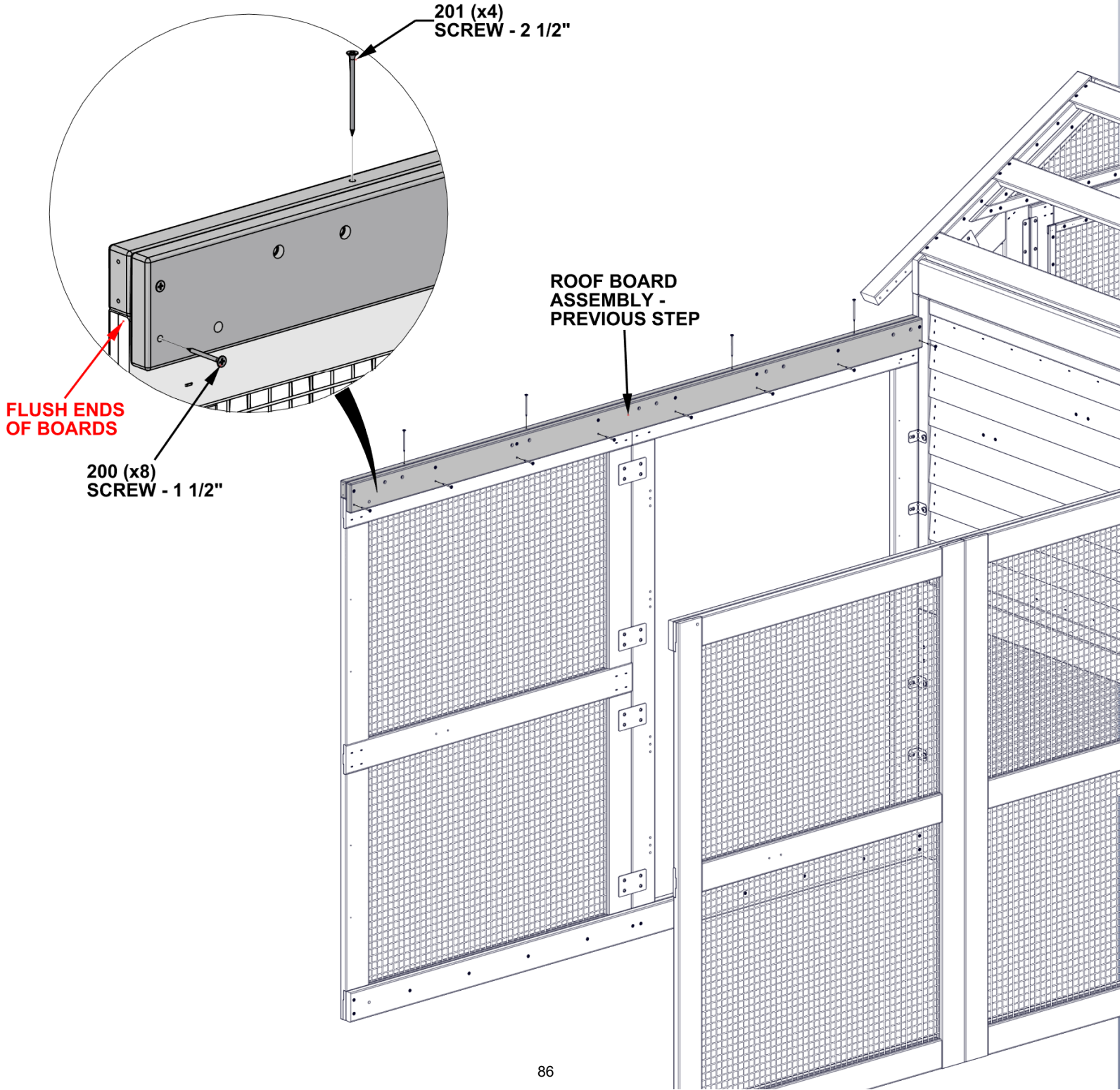
STEP 55 - CHICKEN RUN ASSEMBLY

QTY	PART NUMBER	DESCRIPTION
8	H100200	SCREW PFH 8x1 1/2 BLK
4	H100201	SCREW PFH 8x2 1/2 BLK

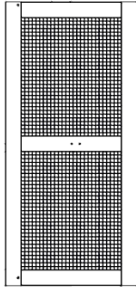


ROOF BOARD ASSEMBLY - PREVIOUS STEP

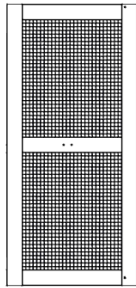
- ALIGN PILOT HOLES.



STEP 56 - CHICKEN RUN ASSEMBLY



MP02 MESH PANEL - W2A04990
(x1) 15/16"x27 7/8"x60" (24x708x1524)



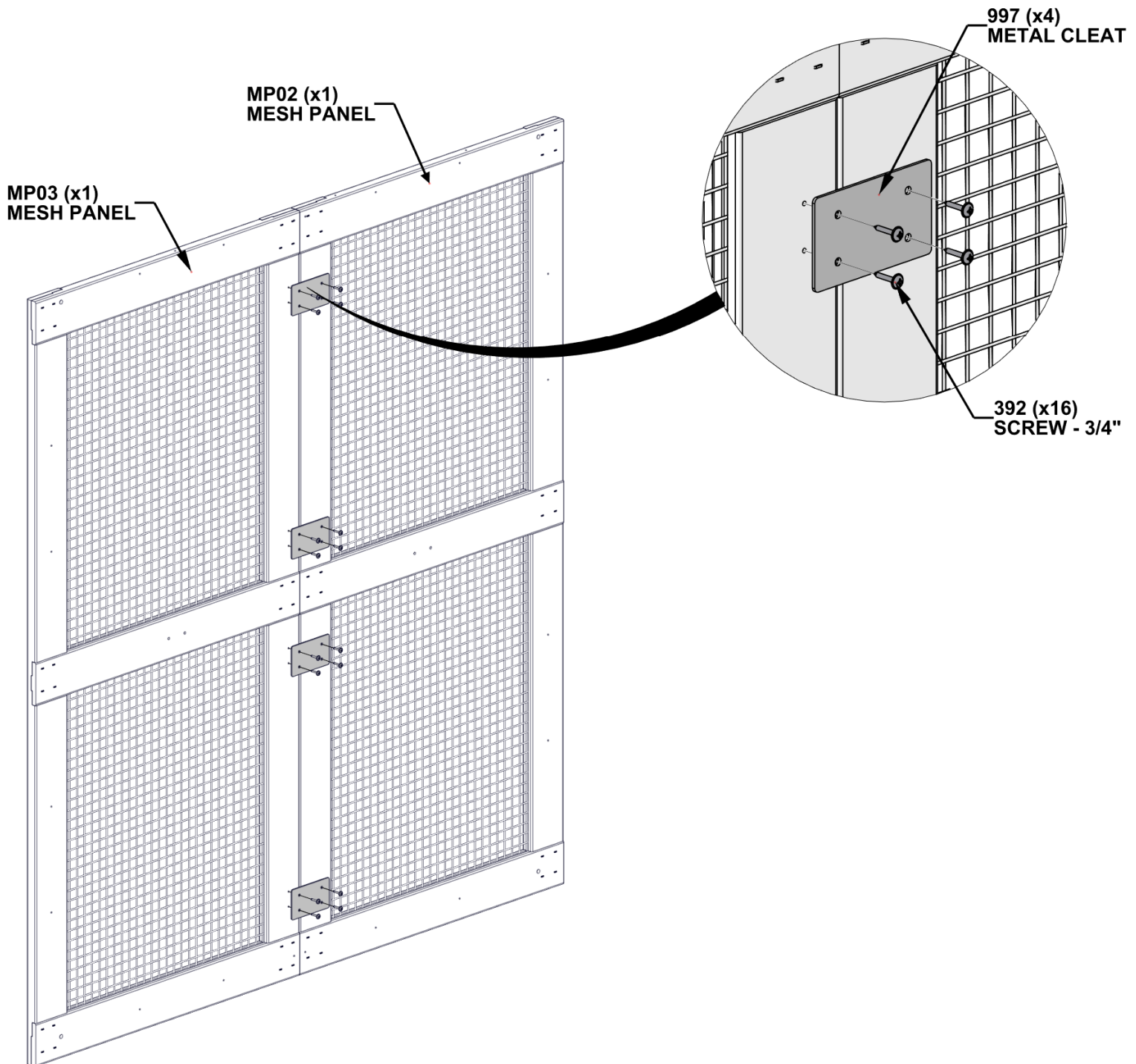
MP03 MESH PANEL - W2A04987
(x1) 15/16"x27 7/8"x60" (24x708x1524)

QTY	PART NUMBER	DESCRIPTION
16	H100392	SCREW PWH 8x3/4 BLK



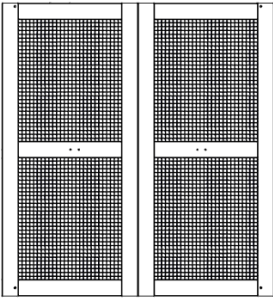
A4M00997 METAL CLEAT
(x4)

- ENSURE PANELS ARE FLUSH, ATTACH METAL CLEAT USING PILOT HOLES IN WALL PANELS.

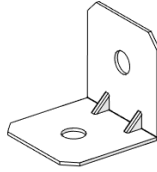


STEP 57 - CHICKEN RUN ASSEMBLY

QTY	PART NUMBER	DESCRIPTION
16	H100392	SCREW PWH 8x3/4 BLK



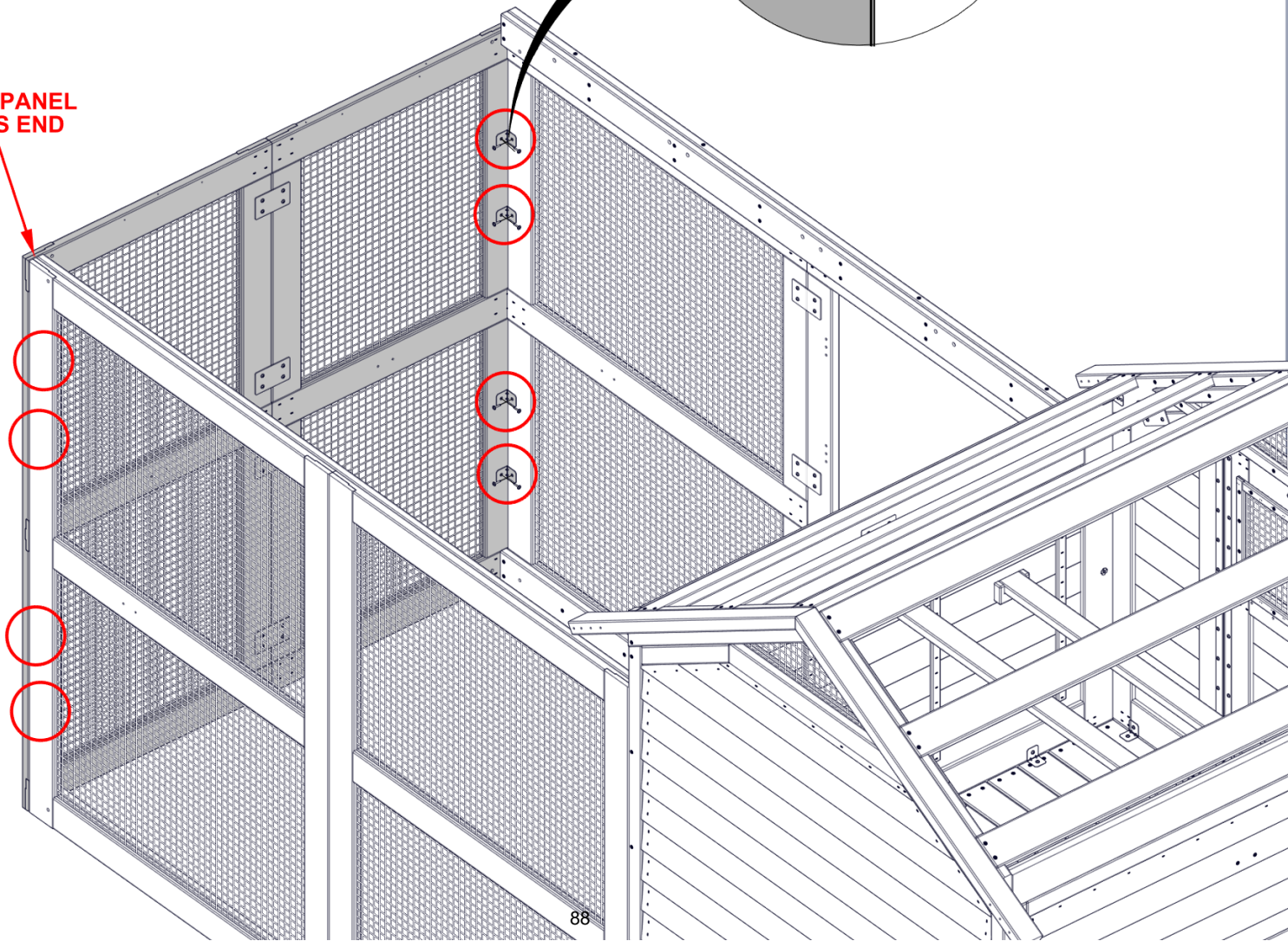
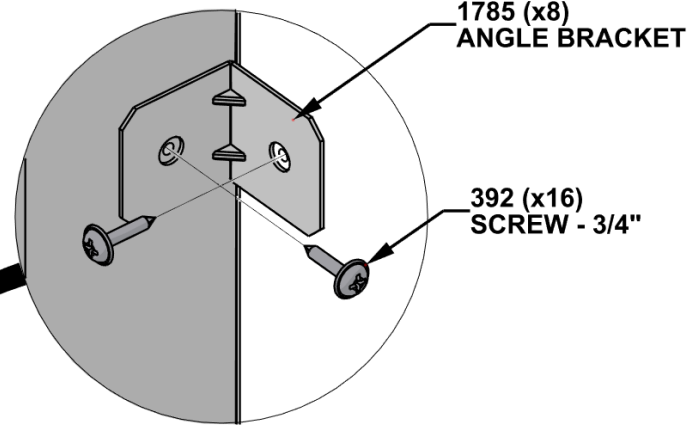
WALL PANEL ASSEMBLY - PREVIOUS STEP



A4M01785 ANGLE BRACKET (x8)

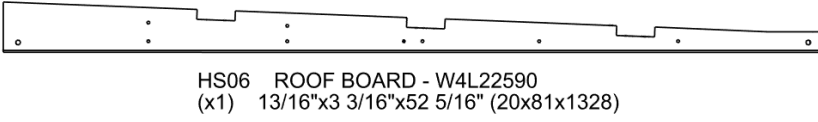
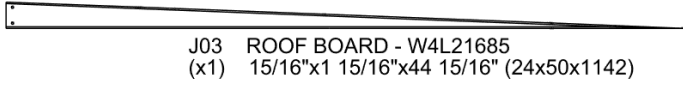
- **ALIGN PILOT HOLES.**
- NOTE ORIENTATION OF WALL PANEL.

FLUSH PANEL ON THIS END

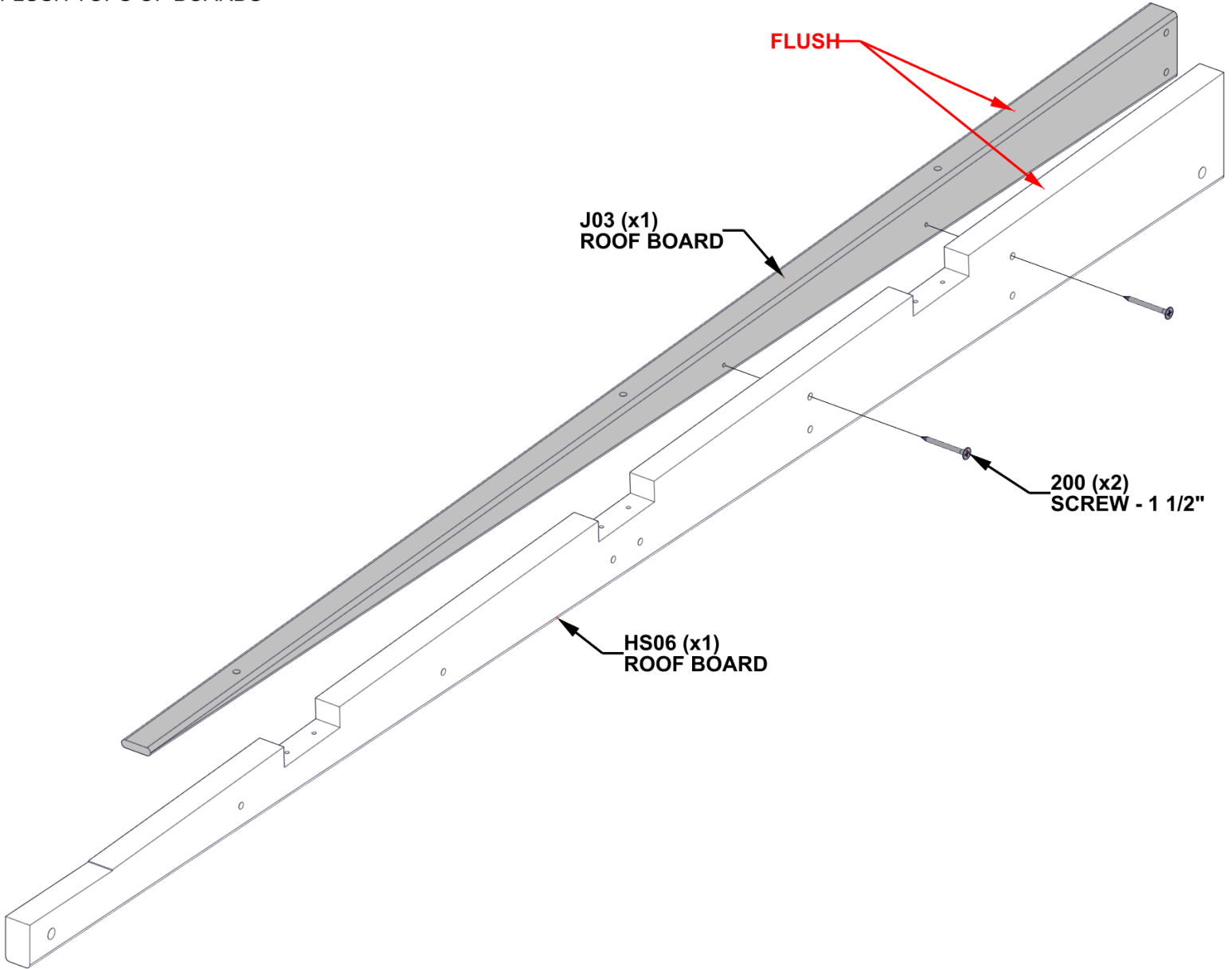


STEP 58 - CHICKEN RUN ASSEMBLY

QTY	PART NUMBER	DESCRIPTION
2	H100200	SCREW PFH 8x1 1/2 BLK

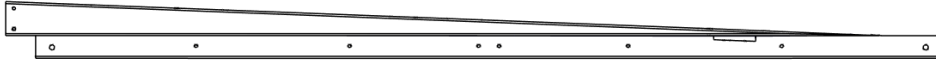


- ALIGN PILOT HOLES.
- FLUSH TOPS OF BOARDS



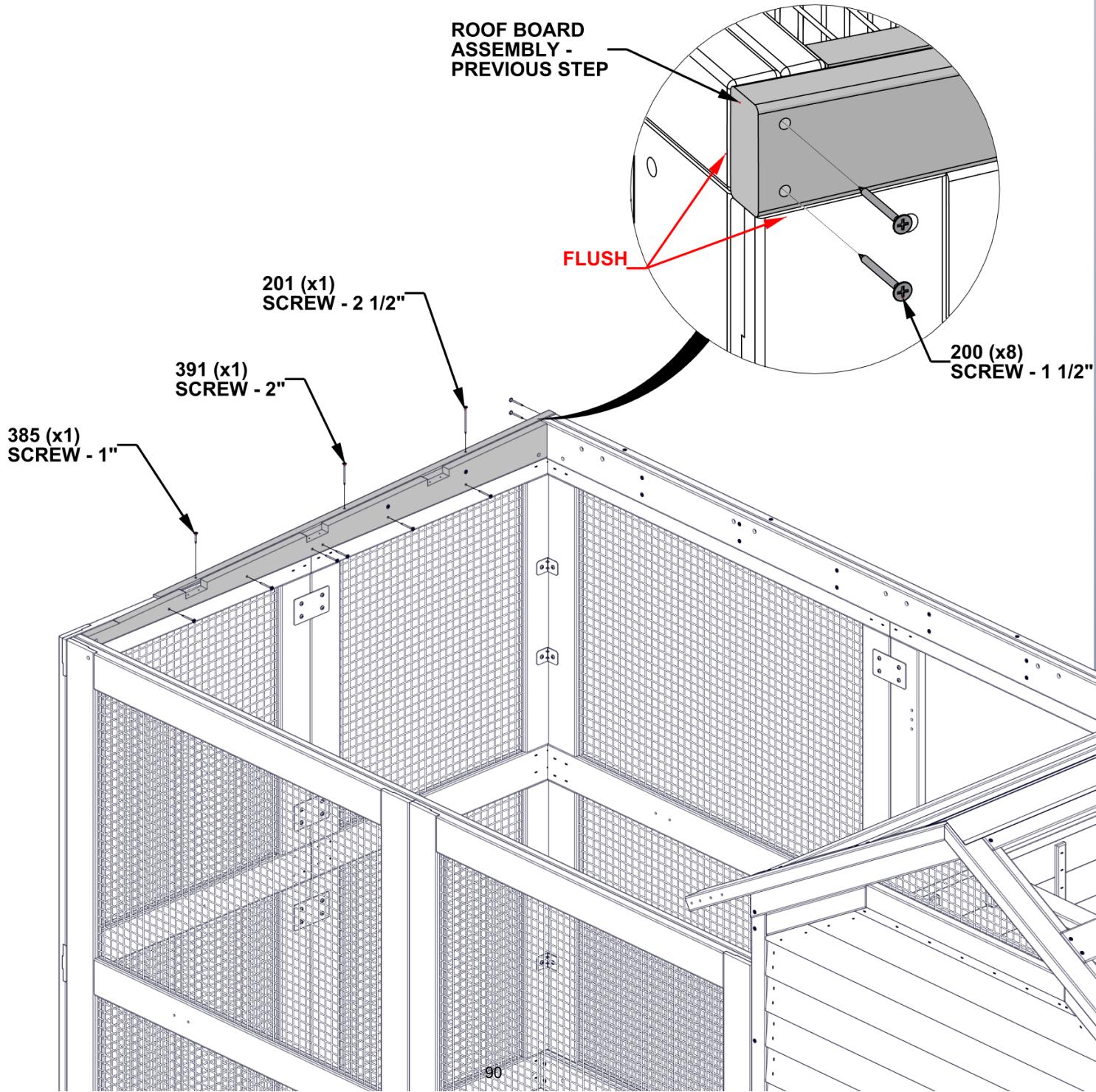
STEP 59 - CHICKEN RUN ASSEMBLY

QTY	PART NUMBER	DESCRIPTION
8	H100200	SCREW PFH 8x1 1/2 BLK
1	H100201	SCREW PFH 8x2 1/2 BLK
1	H100385	SCREW PFH 8x1 BLK
1	H100391	SCREW PFH 8x2 BLK



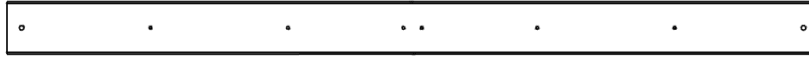
ROOF BOARD ASSEMBLY - PREVIOUS STEP

- **ALIGN PILOT HOLES.**
- ENSURE END IS FLUSH AS SHOWN.



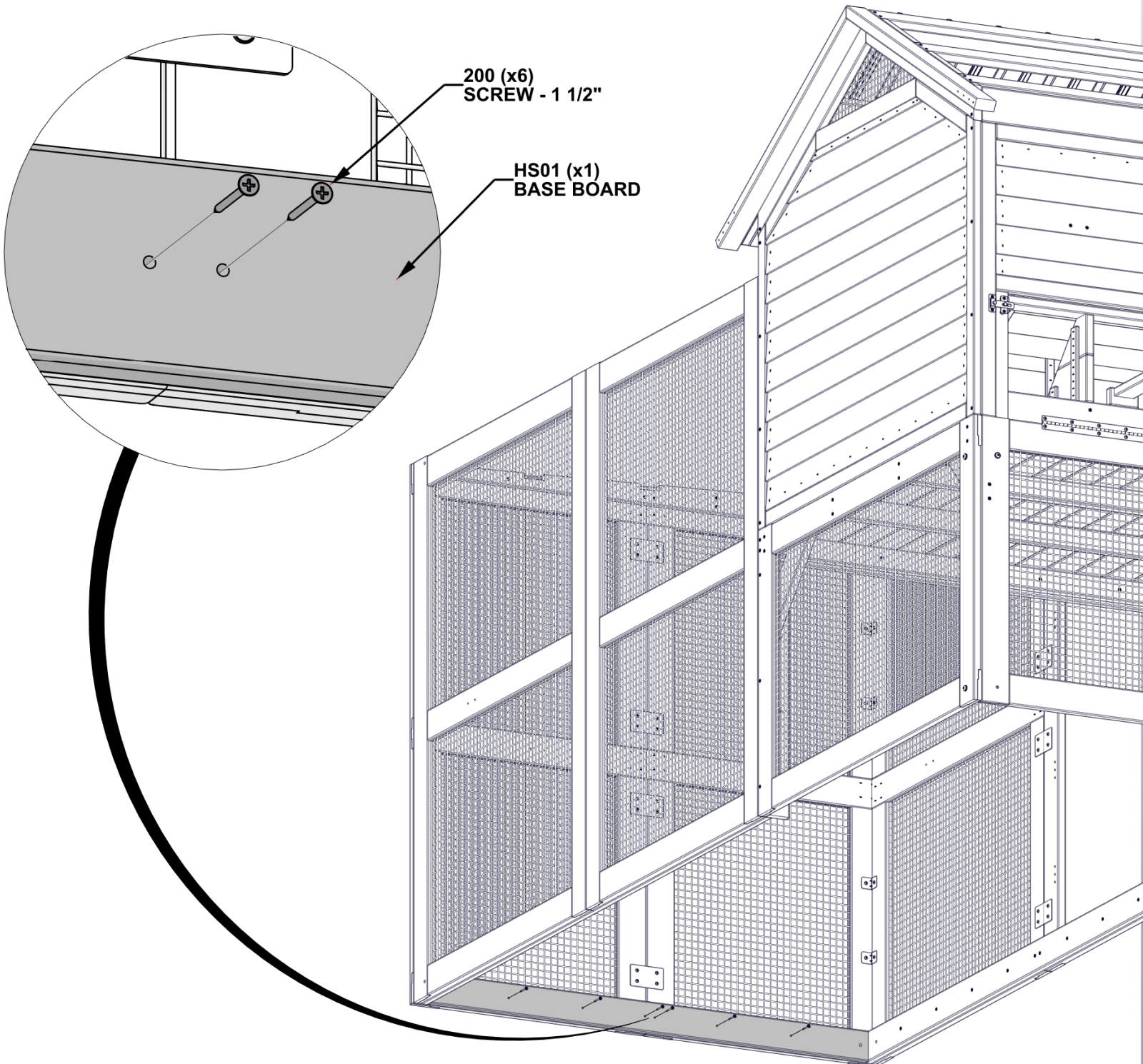
STEP 60 - CHICKEN RUN ASSEMBLY

QTY	PART NUMBER	DESCRIPTION
6	H100200	SCREW PFH 8x1 1/2 BLK



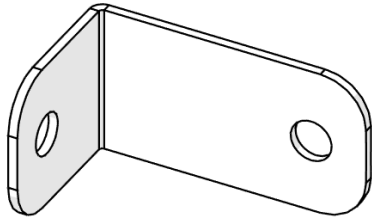
HS01 BASE BOARD - W4L21684
(x1) 13/16"x3 3/8"x52 5/16" (20x86x1328)

- ALIGN PILOT HOLES.



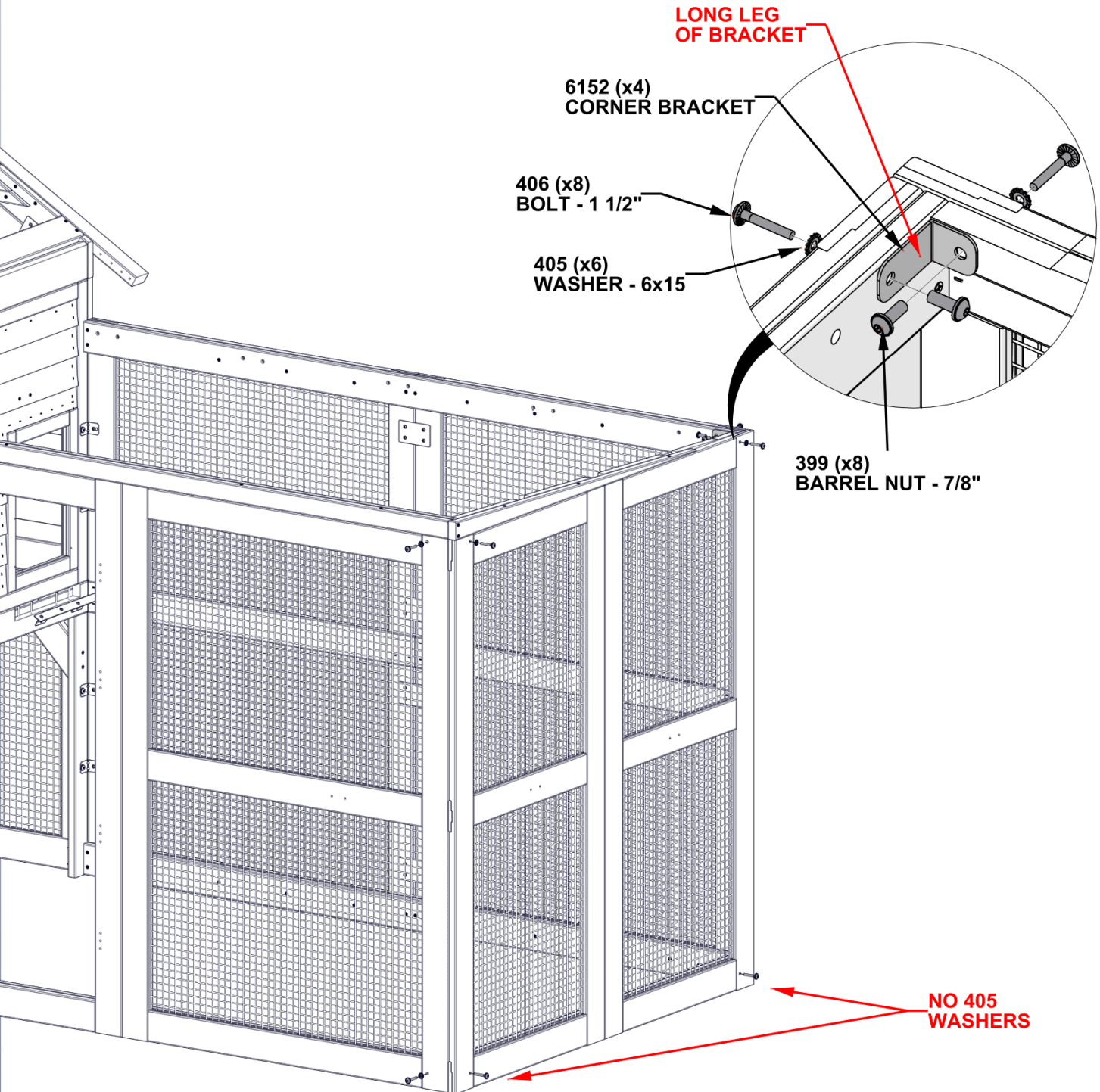
STEP 61 - CHICKEN RUN ASSEMBLY

QTY	PART NUMBER	DESCRIPTION
8	H100399	NUT BARREL WH 1/4X7/8 BLK
6	H100405	WASHER LOCK EXT 6x15
8	H100406	BOLT WH 1/4x1 1/2 BLK



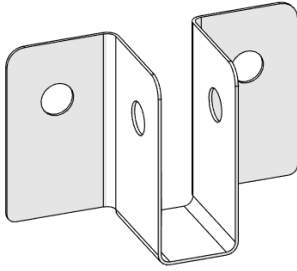
A4M06152 CORNER BRACKET
(x4)

**- PAY SPECIAL ATTENTION TO HARDWARE LOCATIONS, NO WASHER ON BOTTOM POSITIONS ON THE SHORT WALL.
- THE LONG LEG OF THE BRACKET GOES ALONG THE LONG SECTIONS OF THE CHICKEN RUN.**



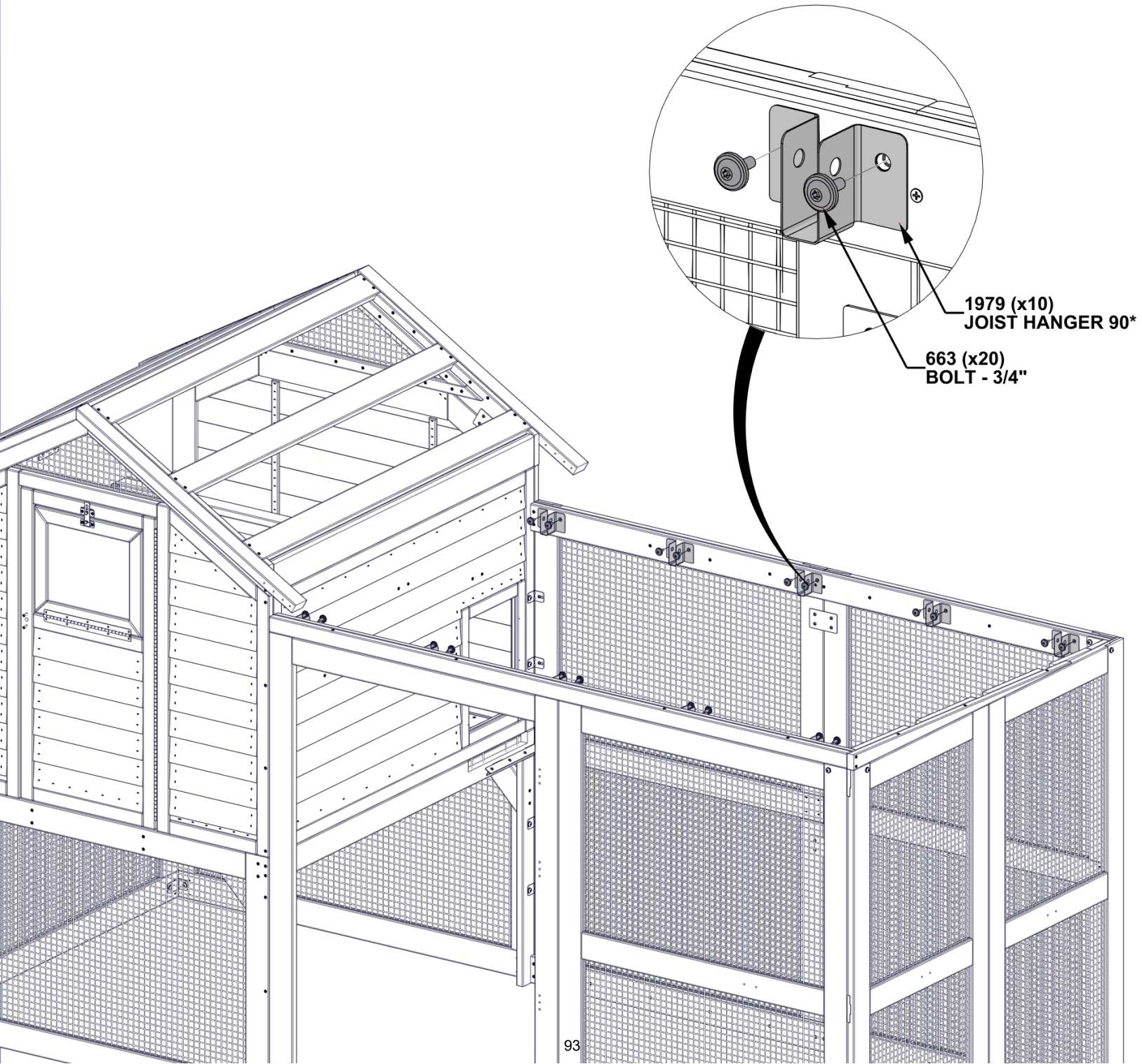
STEP 62 - ROOF ASSEMBLY

QTY	PART NUMBER	DESCRIPTION
20	H100663	BOLT WH 5/16x3/4 BLK



A4M01979 JOIST HANGER 90*
(x10)

- ATTACH JOIST HANGERS USING 663 BOLTS AND FASTENING INTO T-NUTS INSTALLED IN PREVIOUS STEPS.
- COMPLETE ON BOTH SIDES OF CHICKEN RUN ASSEMBLY.

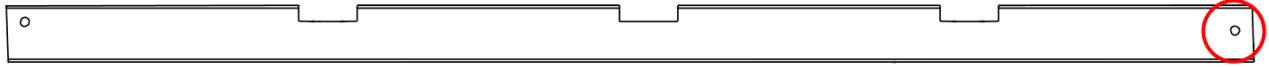


1979 (x10)
JOIST HANGER 90*

663 (x20)
BOLT - 3/4"

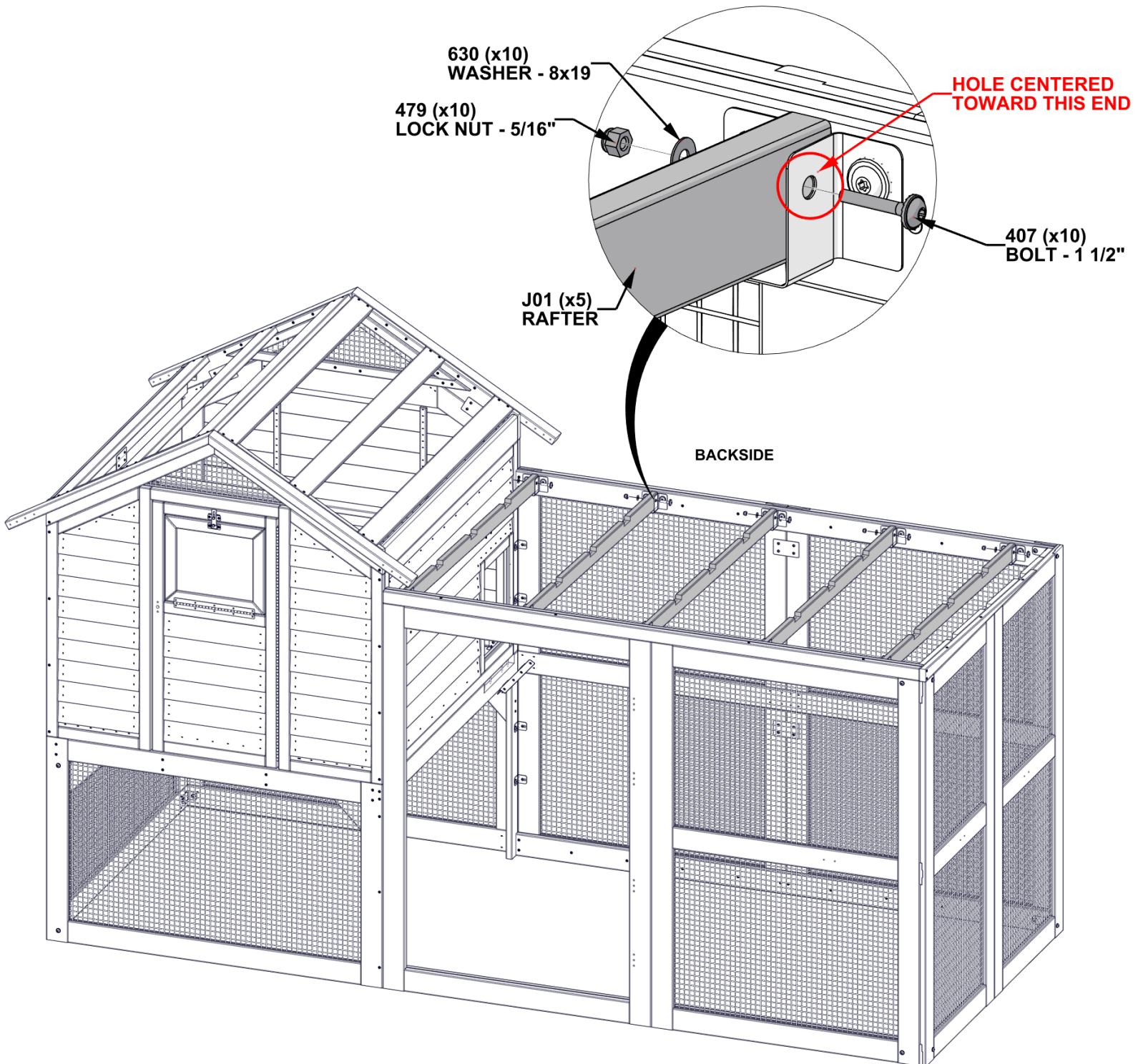
STEP 63 - ROOF ASSEMBLY

QTY	PART NUMBER	DESCRIPTION
10	H100407	BOLT WH 5/16x1 1/2 BLK
10	H100479	NUT LOCK 5/16 BLK
10	H100630	WASHER FLAT 8x19 BLK



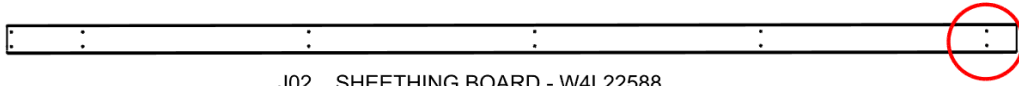
J01 RAFTER - W4L21686
(x5) 15/16"x2 3/8"x52 1/16" (24x60x1323)

- NOTE ORIENTATION OF RAFTERS, HOLE MORE CENTERED GOES TOWARD THE BACKSIDE.



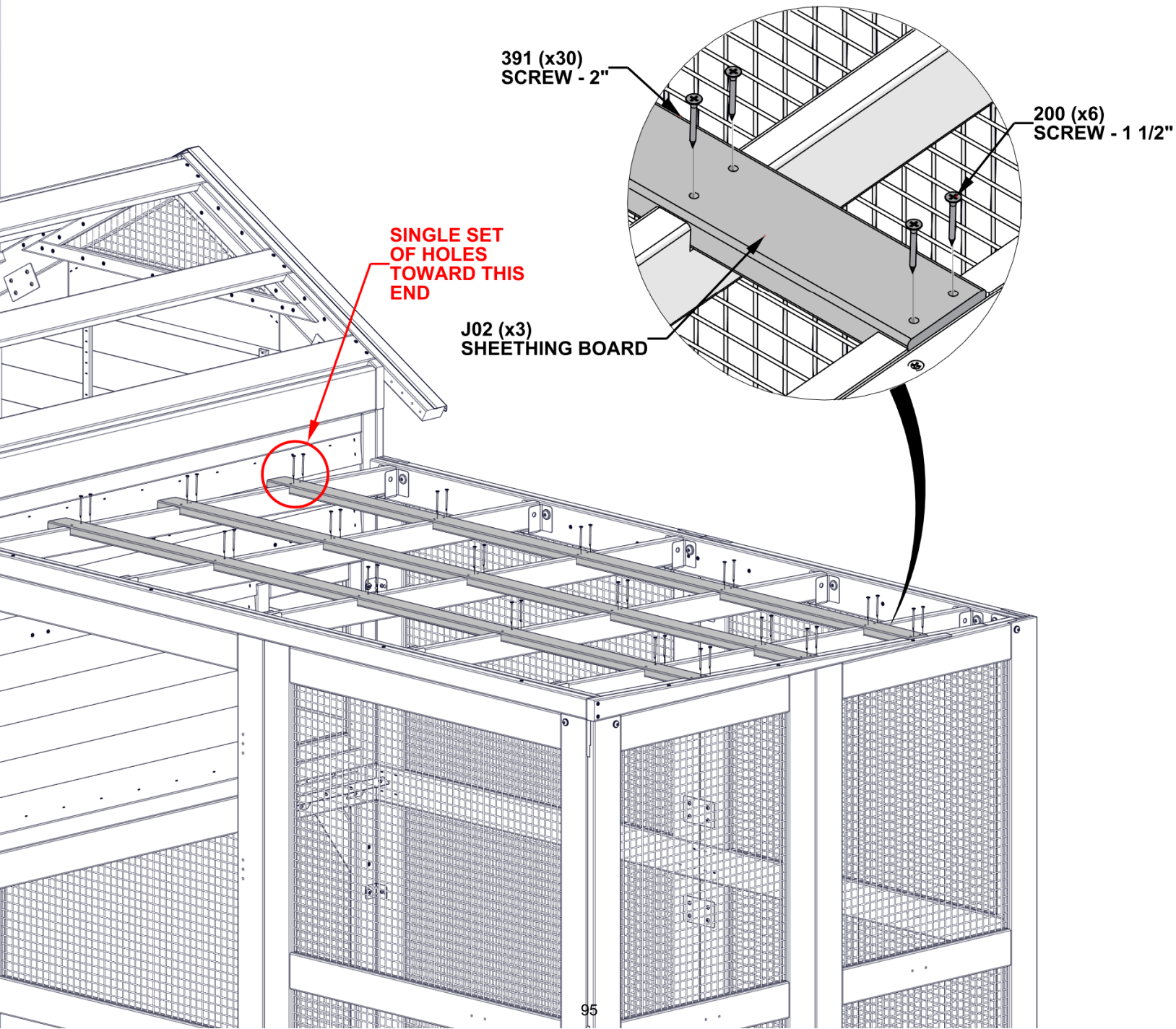
STEP 64 - ROOF ASSEMBLY

QTY	PART NUMBER	DESCRIPTION
6	H100200	SCREW PFH 8x1 1/2 BLK
30	H100391	SCREW PFH 8x2 BLK

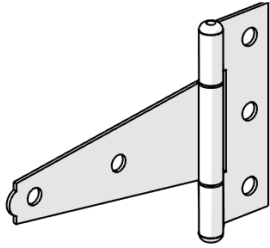


J02 SHEETHING BOARD - W4L22588
 (x3) 13/16"x2 3/8"x82 3/8" (20x60x2092)

- NOTE ORIENTATION OF SHEETHING BOARD.
- NOTE LOCATION OF H100200 SCREWS.
- ALIGN PILOT HOLES.



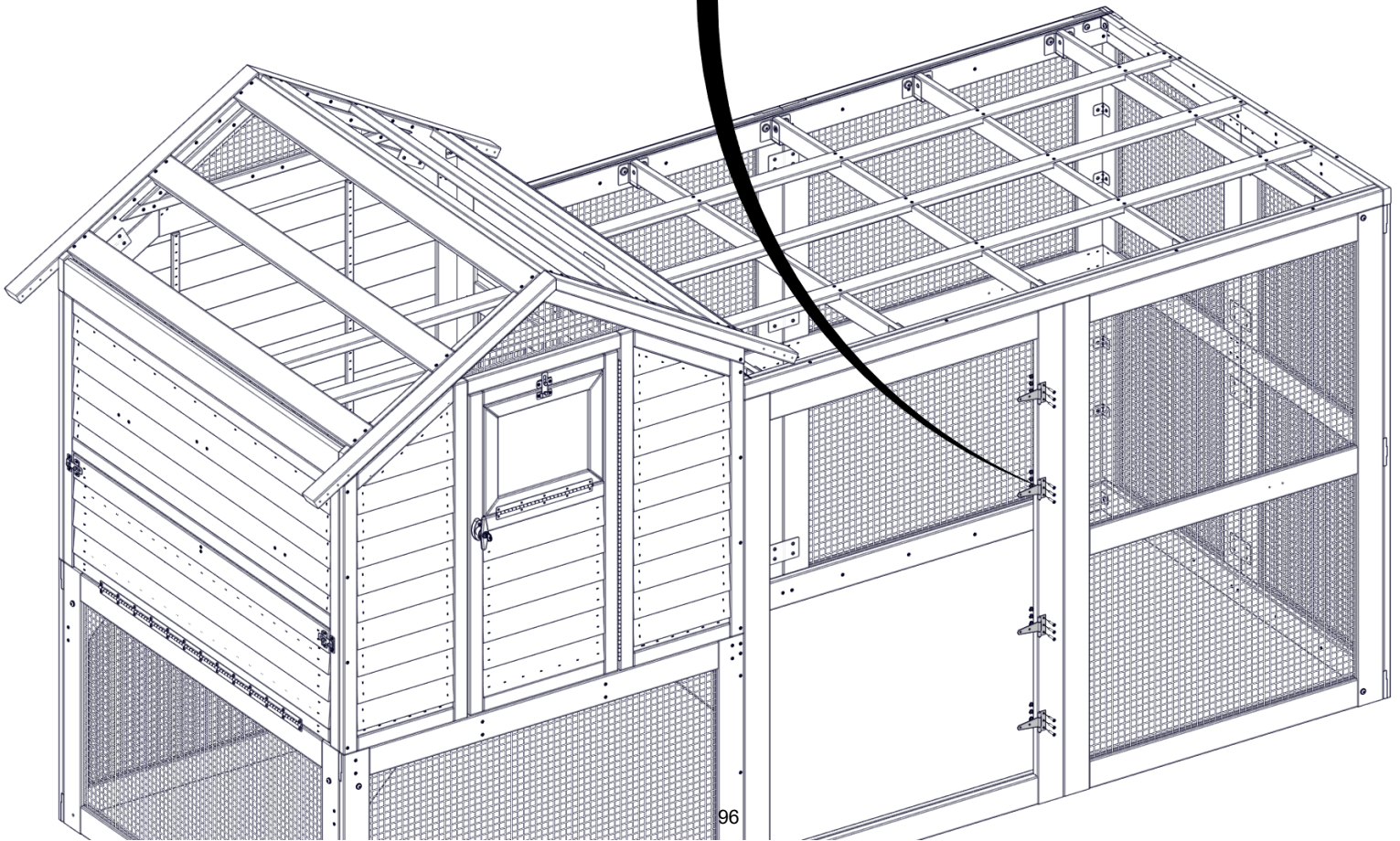
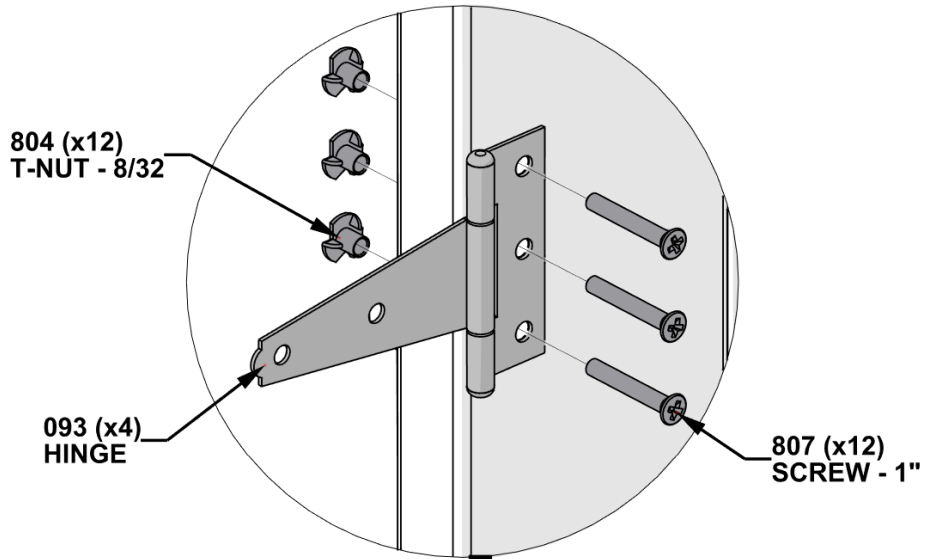
STEP 65 - CHICKEN RUN DOOR ASSEMBLY



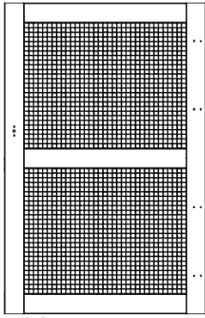
A100093 HINGE
(x4)

QTY	PART NUMBER	DESCRIPTION
12	H100804	T-NUT 8/32 BLK
12	H100807	SCREW POH-MS 8/32x1 BLK

- INSERT T-NUTS FIRST.
- NOTE ORIENTATION OF HINGE, MUST OPEN TO THE OUTSIDE.



STEP 66A - CHICKEN RUN DOOR ASSEMBLY



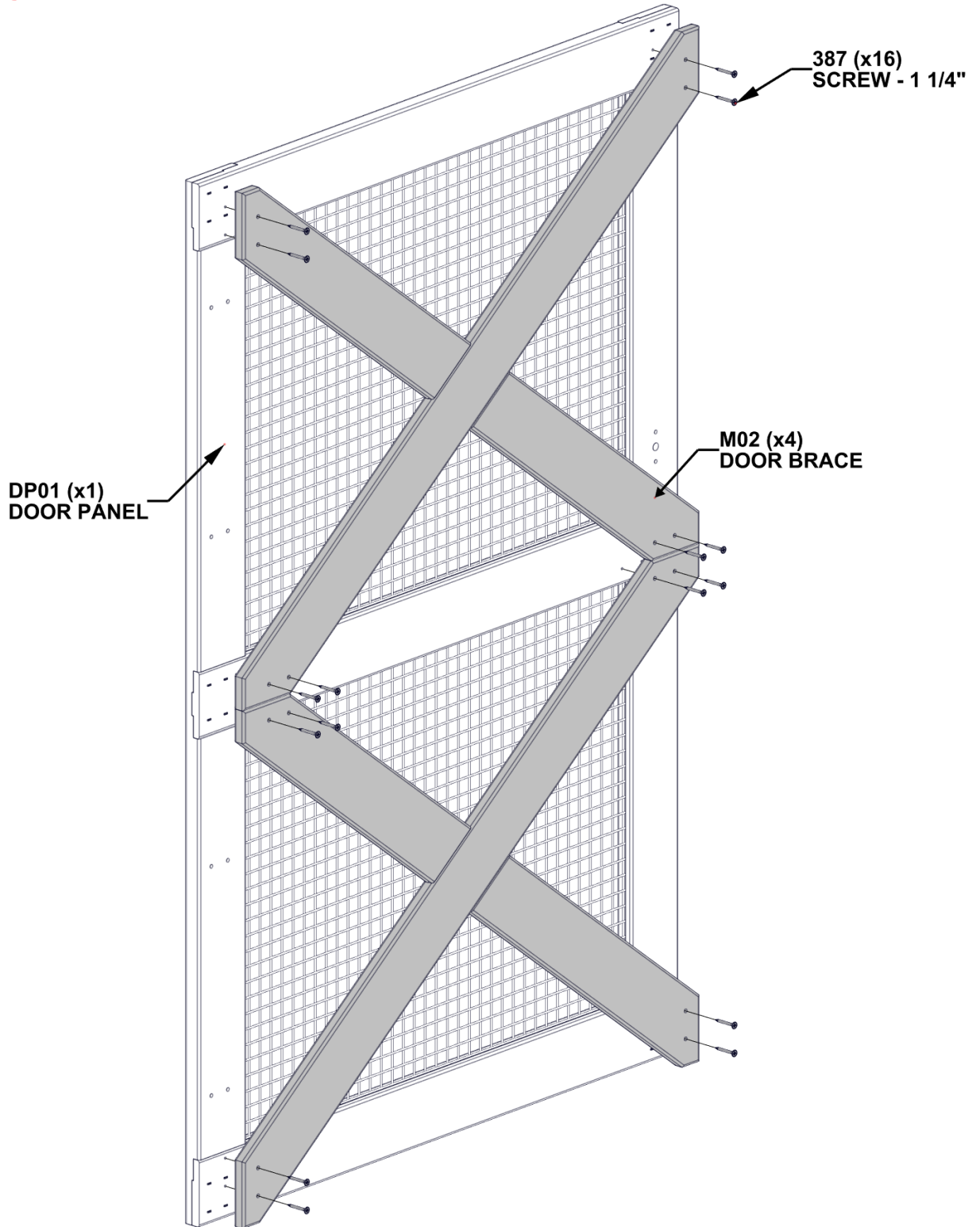
DP01 DOOR PANEL - W2A04988
(x1) 15/16"x34 5/16"x52 13/16" (24x871x1342)

QTY	PART NUMBER	DESCRIPTION
16	H100387	SCREW PFH 8x1 1/4 BLK

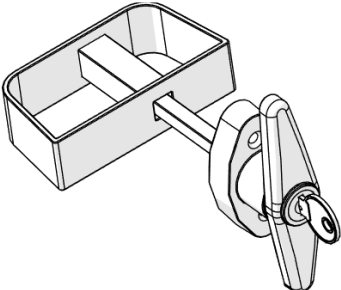


M02 DOOR BRACE - W4L22589
(x4) 5/8"x3 3/8"x41 7/8" (16x86x1063)

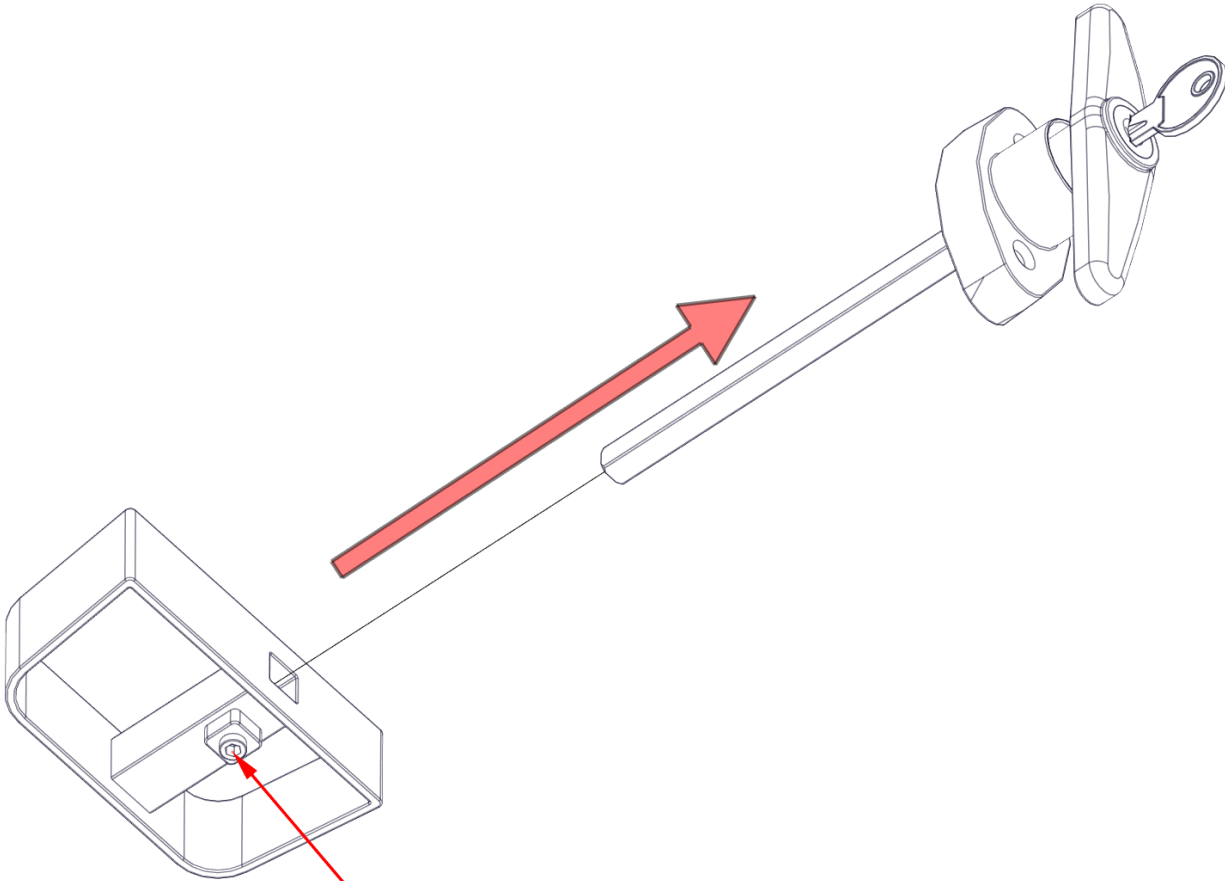
- ALIGN PILOT HOLES.



STEP 66B - CHICKEN COOP ASSEMBLY

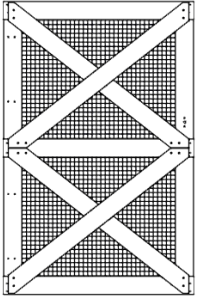


A4M00839 HANDLE W/ LOCK
(x1)

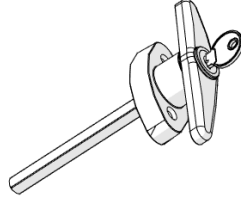


**LOOSEN SET SCREW
TO REMOVE DOOR LOCK
FROM SHAFT**

STEP 66C - CHICKEN RUN DOOR ASSEMBLY



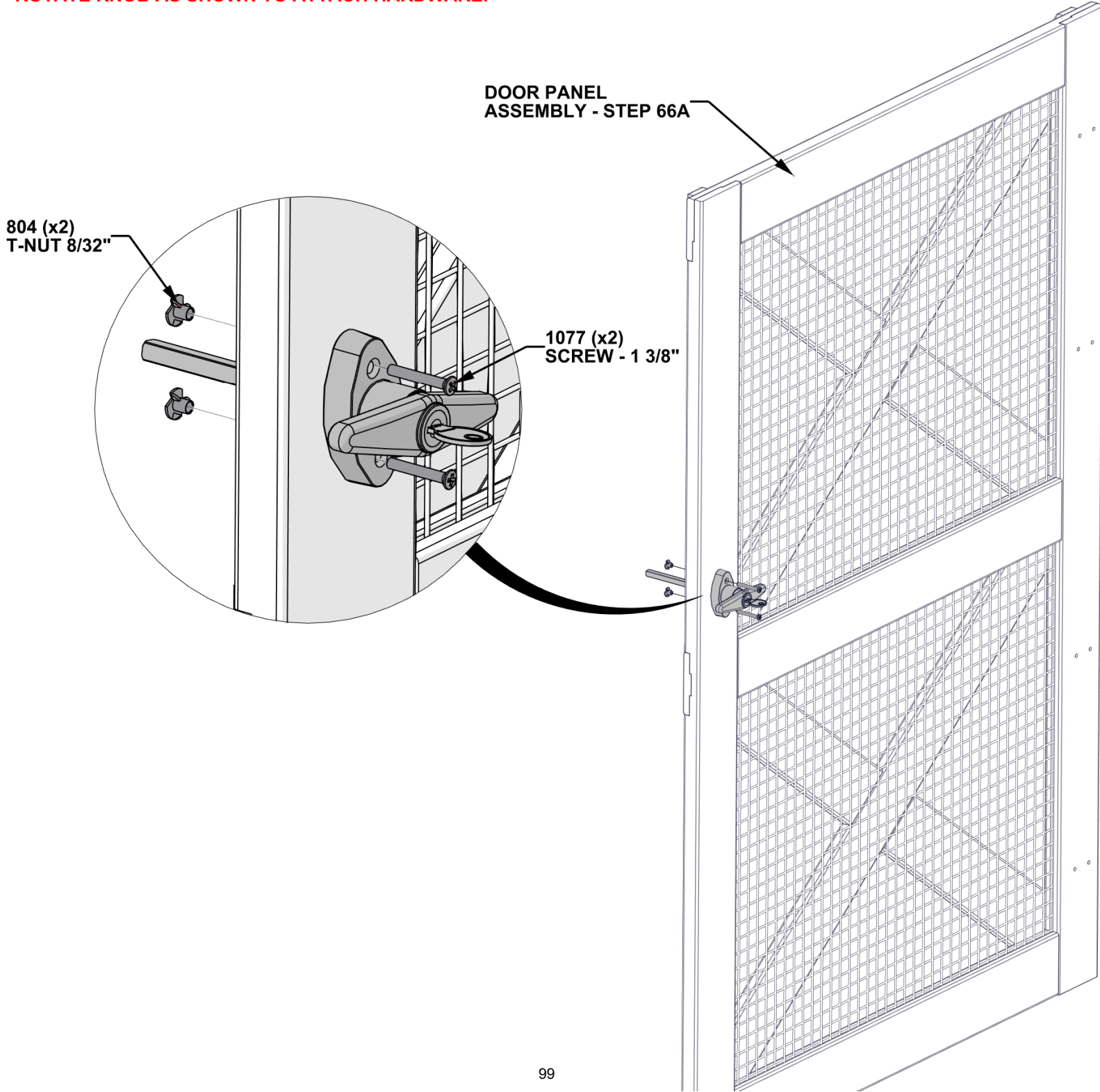
DOOR PANEL ASSEMBLY - STEP 66A



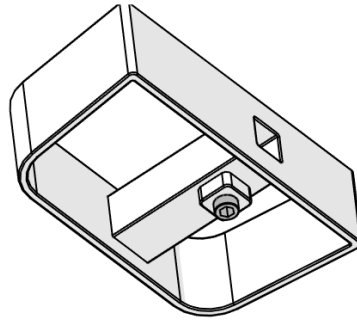
HANDLE W/ SHAFT - STEP 66B

QTY	PART NUMBER	DESCRIPTION
2	H100804	T-NUT 8/32 BLK
2	H101077	SCREW POH-MS 8/32x1 3/8 BLK

- INSERT T-NUTS FIRST.
- ROTATE KNOB AS SHOWN TO ATTACH HARDWARE.



STEP 66D - CHICKEN RUN DOOR ASSEMBLY



DOOR HANDLE LATCH - STEP 66B

DOOR PANEL - PREVIOUS STEPS

DOOR HANDLE LATCH

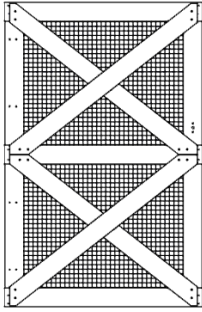
NOTE SET SCREW
FACE DOWN

SLIDE DOOR LOCK
BACK ON SHAFT

ADJUST DOOR LOCK
TO DIMENSIONS SHOWN,
THEN TIGHTEN SET SCREW

3/4" [19mm]

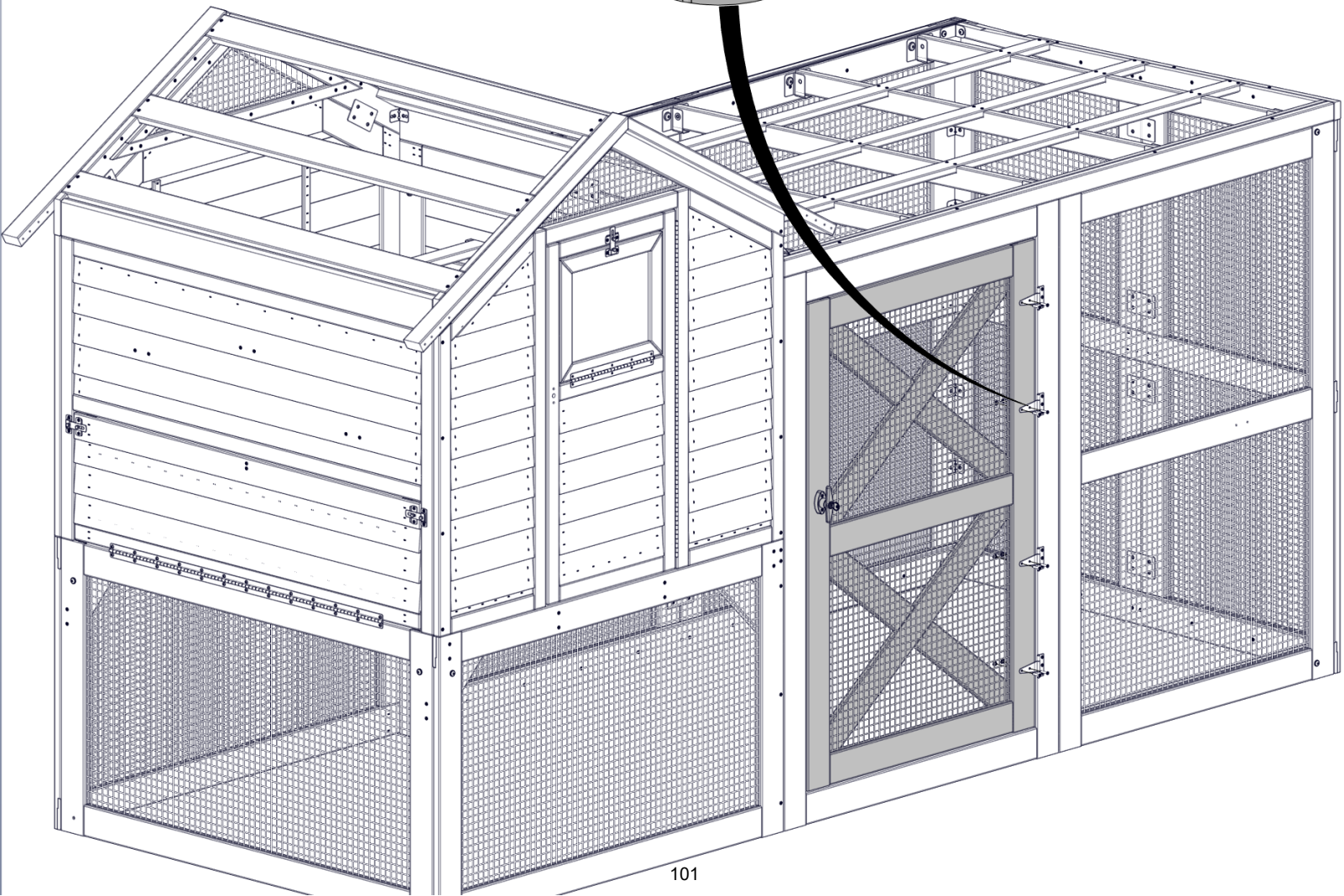
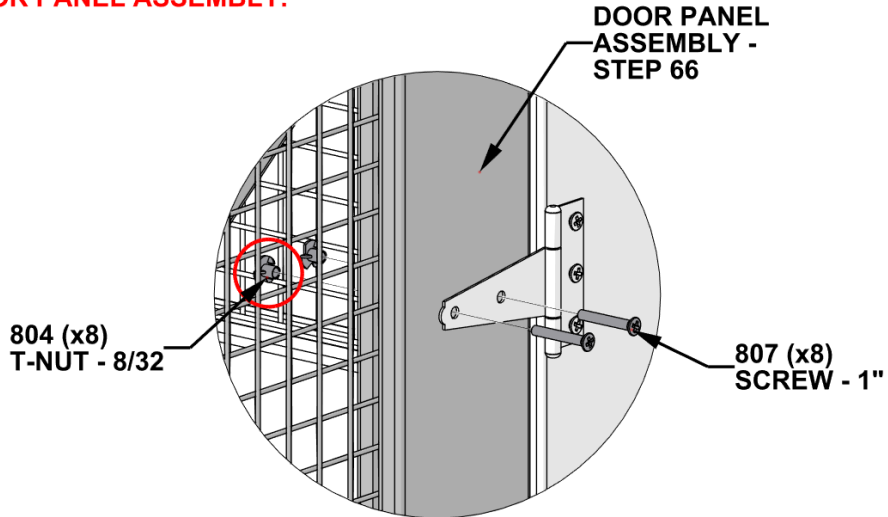
STEP 67 - CHICKEN RUN DOOR ASSEMBLY



DOOR PANEL ASSEMBLY - STEP 66

QTY	PART NUMBER	DESCRIPTION
8	H100804	T-NUT 8/32 BLK
8	H100807	SCREW POH-MS 8/32x1 BLK

- INSERT T-NUTS FIRST.
- NOTE ORIENTATION OF DOOR PANEL ASSEMBLY.



STEP 68 - CHICKEN RUN DOOR ASSEMBLY

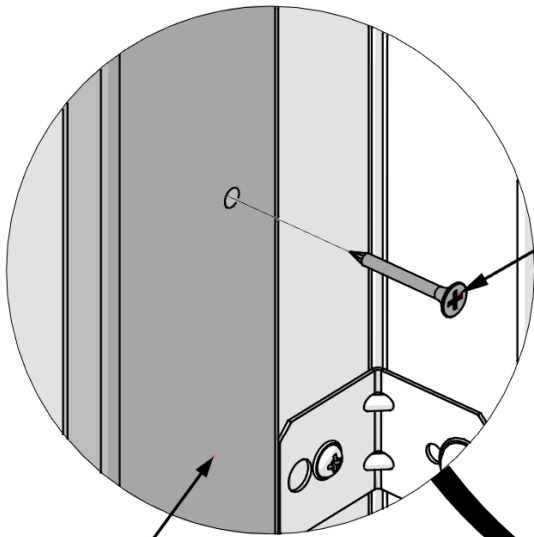
QTY	PART NUMBER	DESCRIPTION
9	H100387	SCREW PFH 8x1 1/4 BLK



N01 DOOR STOP - W4L21780
(x1) 5/8"x2 3/8"x54 5/8" (16x60x1387)

- ALIGN PILOT HOLES.

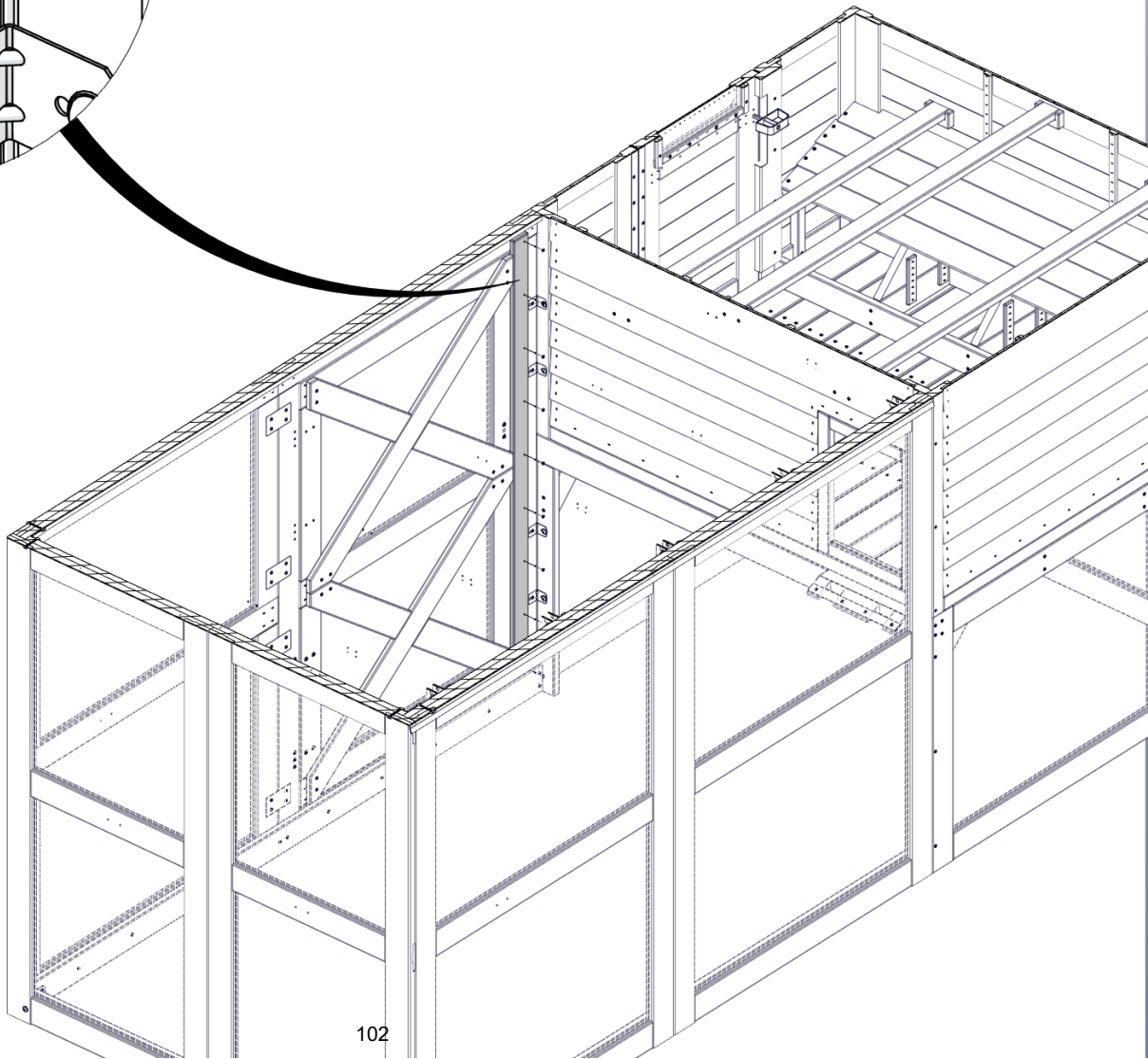
- NOTE ORIENTATION OF N01 BOARD, HOLES TOWARD COOP.



387 (x9)
SCREW - 1 1/4"

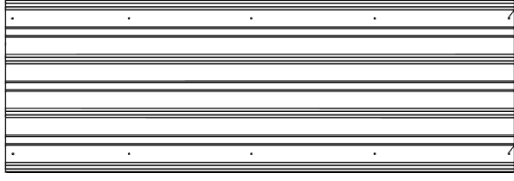
ROOF HIDDEN
TO SHOW DETAIL

N01 (x1)
DOOR STOP



STEP 69 - ROOF ASSEMBLY

QTY	PART NUMBER	DESCRIPTION
12	H101117	SCREW WOODGRIP 10-16x3/4 BLK



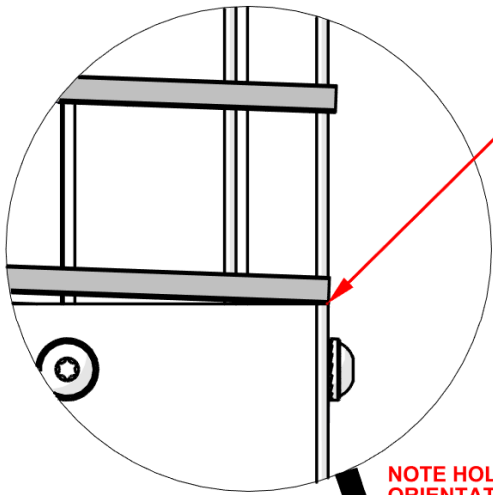
A4M06153 29GA STEEL SHEETING
(x1)



A4M06154 29GA STEEL SHEETING
(x1)

WARNING:

- GLOVES ARE RECOMMENDED WHEN HANDLING STEEL ROOF SHEETS.
- DO NOT GET ON ROOF TO ATTACH SCREWS.
- REMOVE BLUE FILM FROM ROOF PANELS.
- ORIENTATE PANELS AS SHOWN.
- DO NOT ATTACH HARDWARE ALONG LAST ROW OF HOLES UNTIL LATER STEP.
- ALIGN SHEET 1/8" [3mm] FROM EDGE OF WALL PANEL.



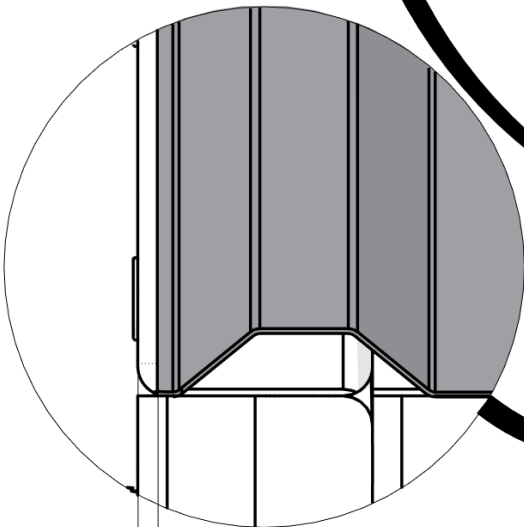
FLUSH SHEET WITH WALL PANEL

6154 (x1)
29GA STEEL SHEETING

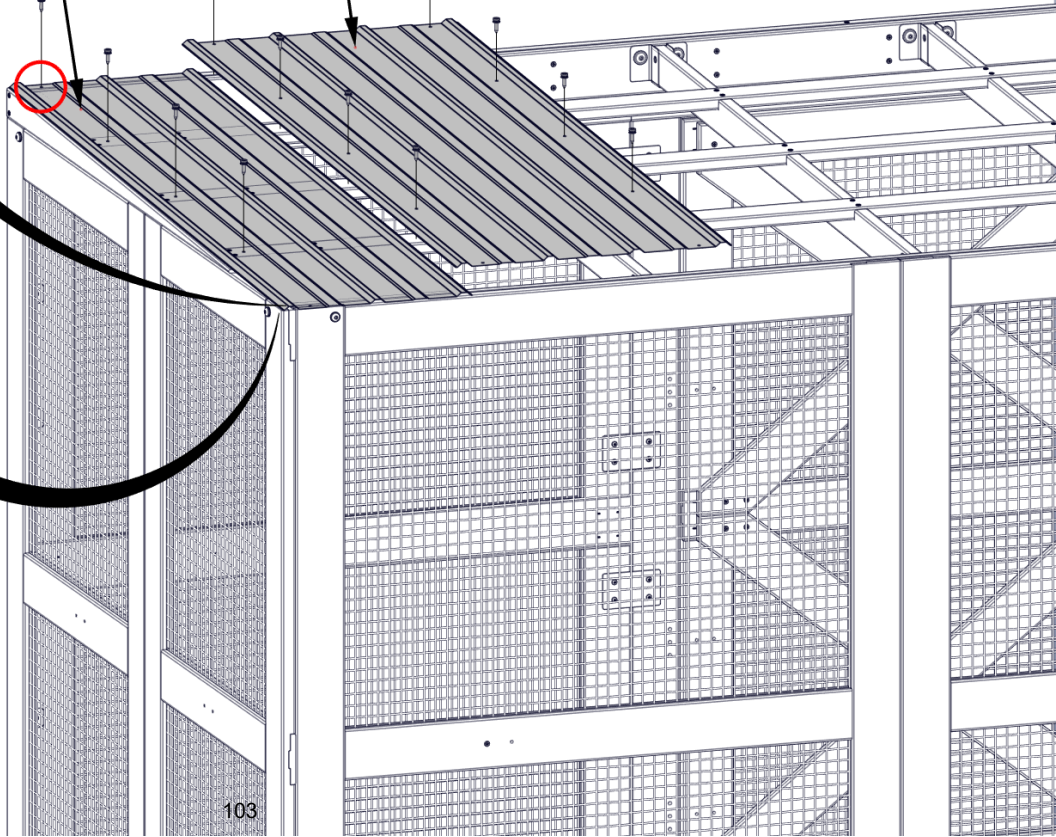
6153 (x1)
29GA STEEL SHEETING

1117 (x12)
SCREW - 3/4"

NOTE HOLES FOR ORIENTATION

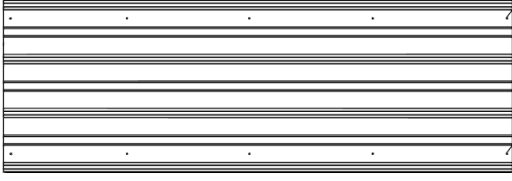


1/8" [3mm]



STEP 70 - ROOF ASSEMBLY

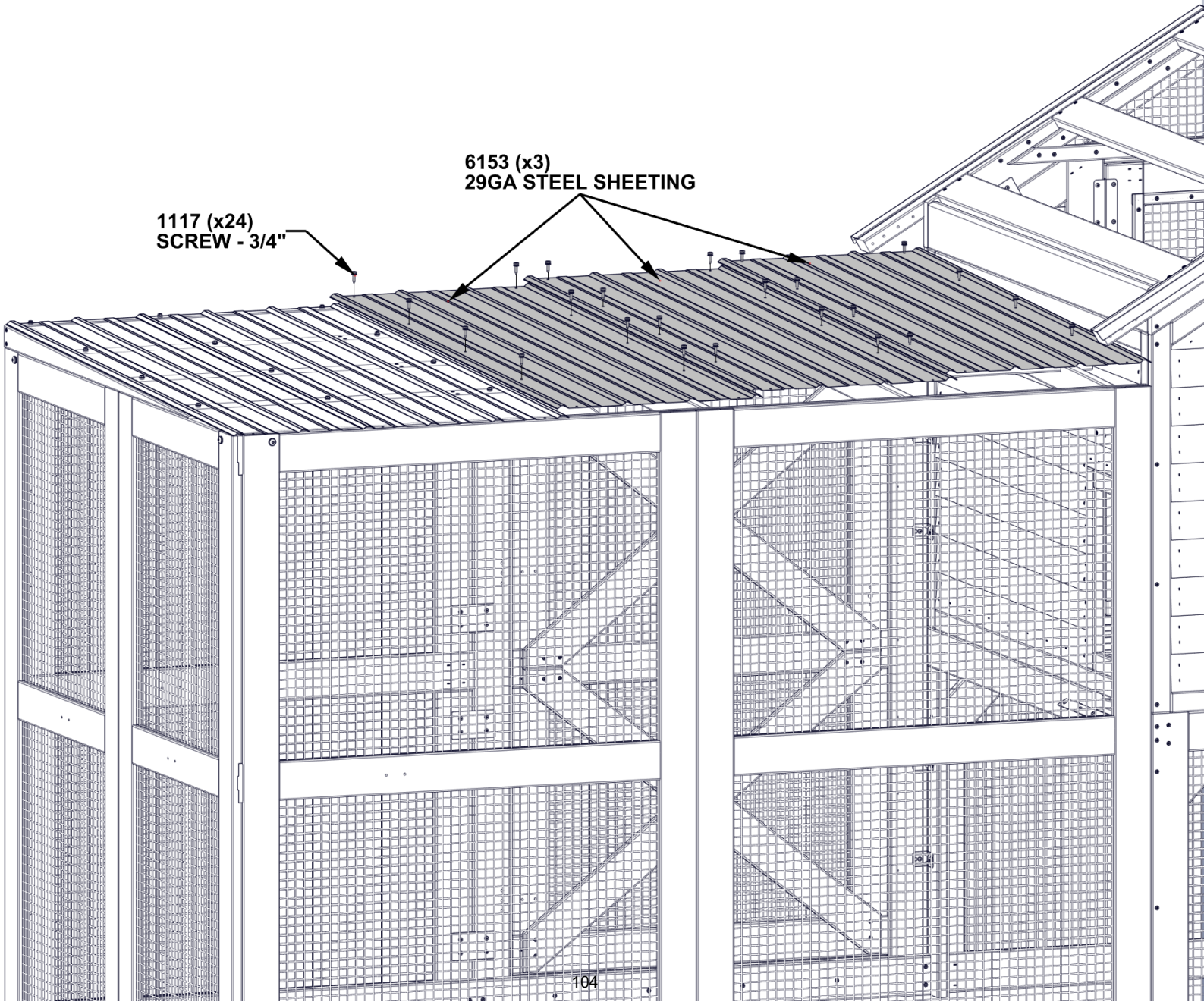
QTY	PART NUMBER	DESCRIPTION
24	H101117	SCREW WOODGRIP 10-16x3/4 BLK



A4M06153 29GA STEEL SHEETING
(x3)

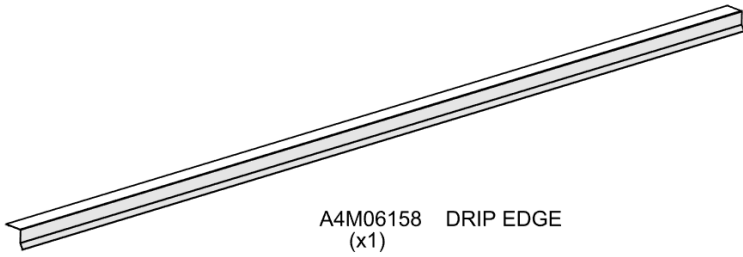
WARNING:

- GLOVES ARE RECOMMENDED WHEN HANDLING STEEL ROOF SHEETS.
- DO NOT GET ON ROOF TO ATTACH SCREWS.
- REMOVE BLUE FILM FROM ROOF PANELS.
- ORIENTATE PANELS AS SHOWN.
- DO NOT ATTACH HARDWARE ALONG LAST ROW OF HOLES UNTIL LATER STEP.



STEP 71 - ROOF ASSEMBLY

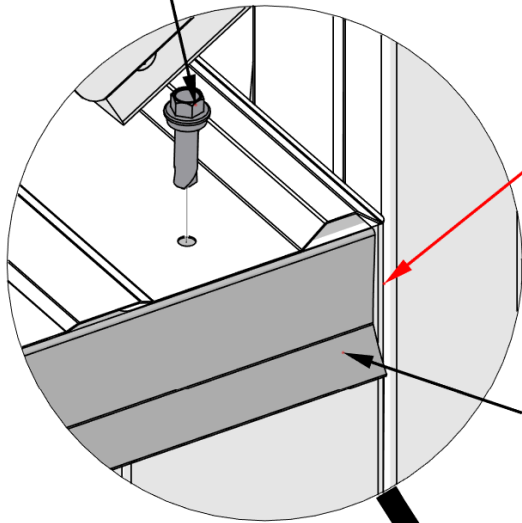
QTY	PART NUMBER	DESCRIPTION
9	H101116	SCREW SELF TAPPING 1/4x1 BLK



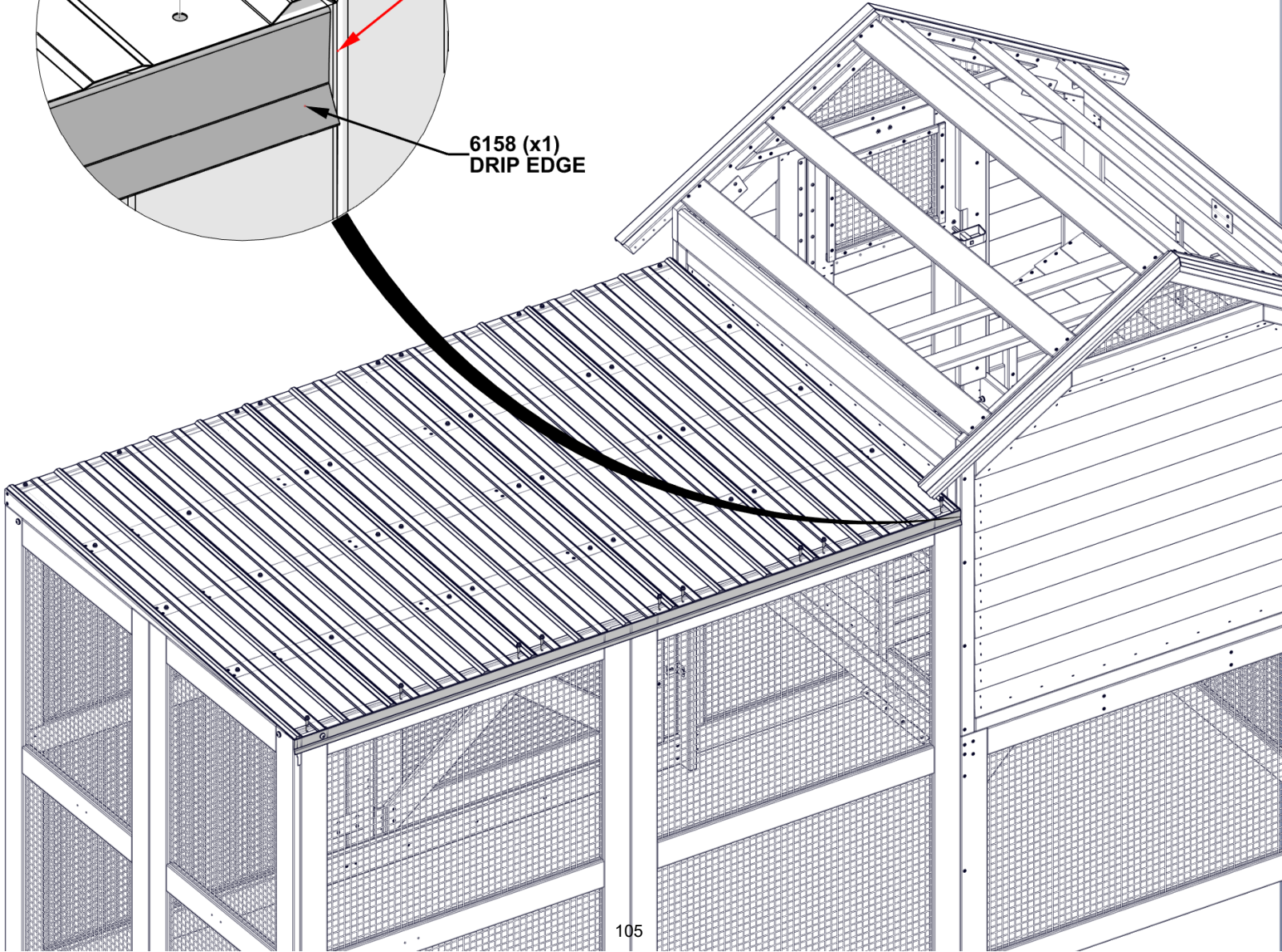
WARNING:

- GLOVES ARE RECOMMENDED WHEN HANDLING STEEL ROOF SHEETS.
- DO NOT GET ON ROOF TO ATTACH SCREWS.
- REMOVE BLUE FILM FROM ROOF PANELS.
- ORIENTATE PANELS AS SHOWN.

1116 (x9)
SCREW - 1"

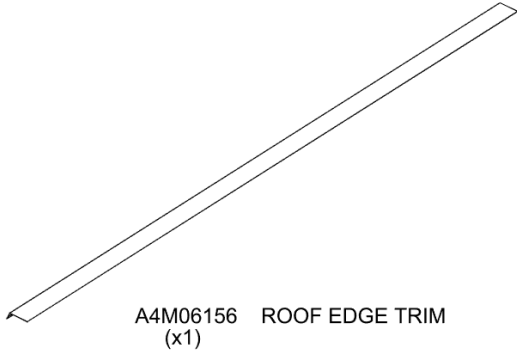


6158 (x1)
DRIP EDGE



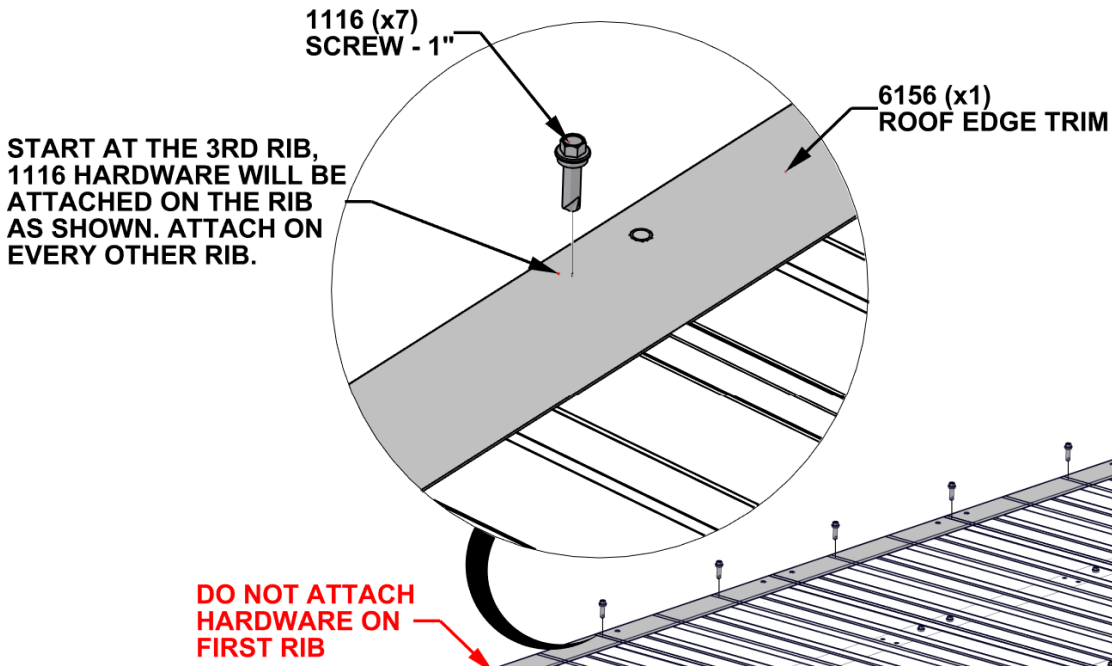
STEP 72 - ROOF ASSEMBLY

QTY	PART NUMBER	DESCRIPTION
7	H101116	SCREW SELF TAPPING 1/4x1 BLK



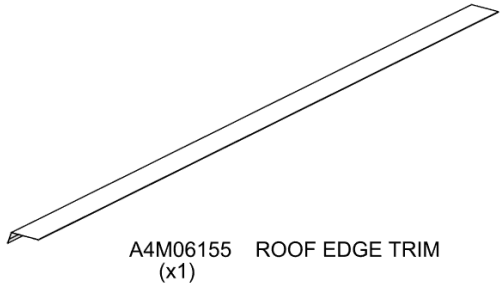
WARNING:

- GLOVES ARE RECOMMENDED WHEN HANDLING STEEL ROOF SHEETS.
- DO NOT GET ON ROOF TO ATTACH SCREWS.
- REMOVE BLUE FILM FROM ROOF TRIM.



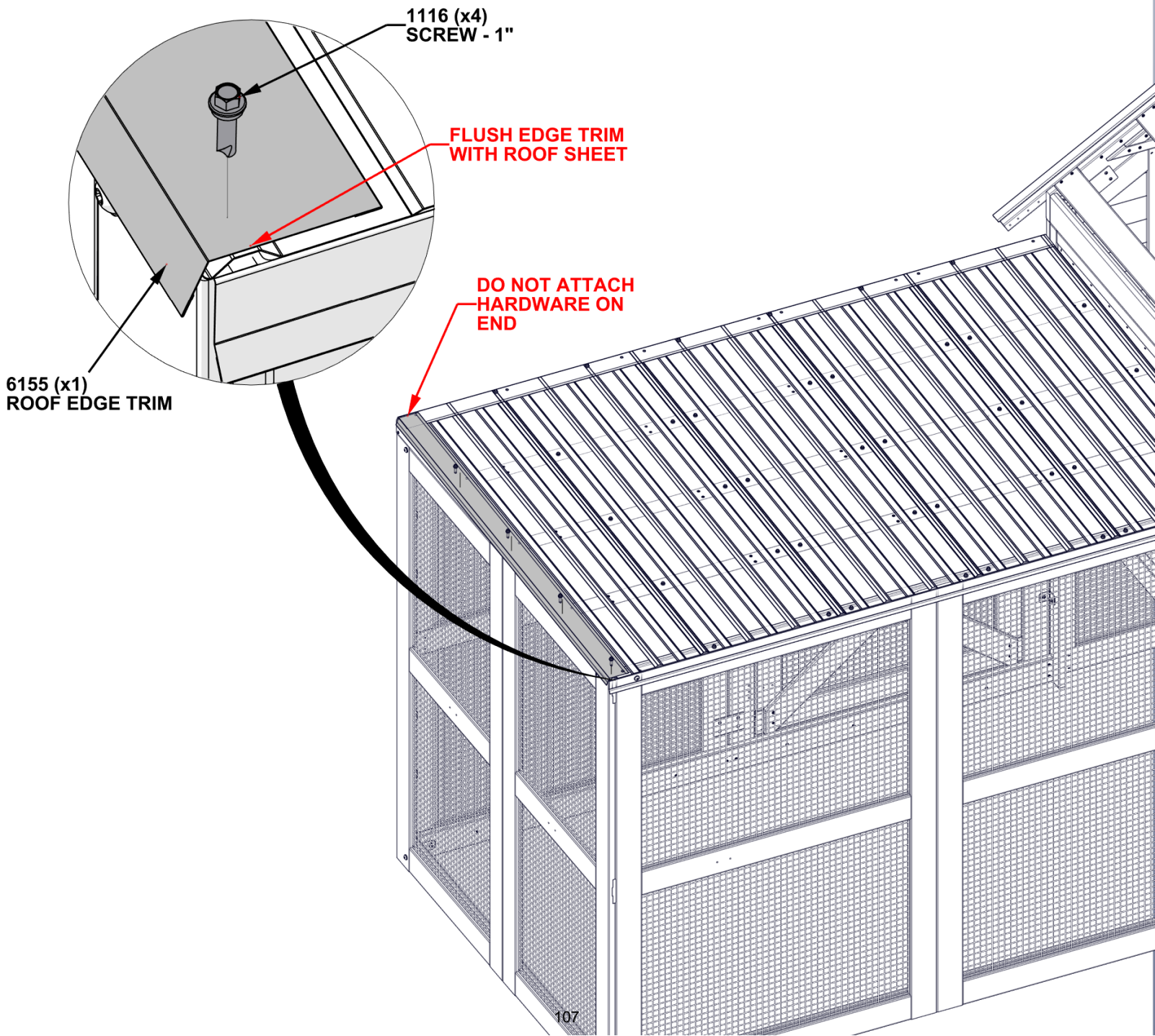
STEP 73 - ROOF ASSEMBLY

QTY	PART NUMBER	DESCRIPTION
4	H101116	SCREW SELF TAPPING 1/4x1 BLK



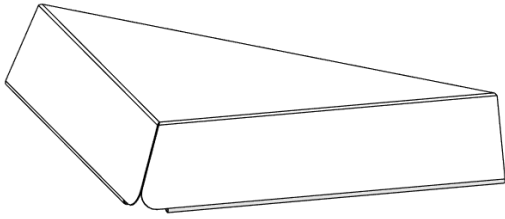
WARNING:

- GLOVES ARE RECOMMENDED WHEN HANDLING STEEL ROOF SHEETS.
- DO NOT GET ON ROOF TO ATTACH SCREWS.
- REMOVE BLUE FILM FROM METAL COMPONENTS.
- ATTACH HARDWARE IN THE MIDDLE OF THE RIB.
- ALIGN SCREWS IN-LINE WITH SHEET METAL SCREWS.

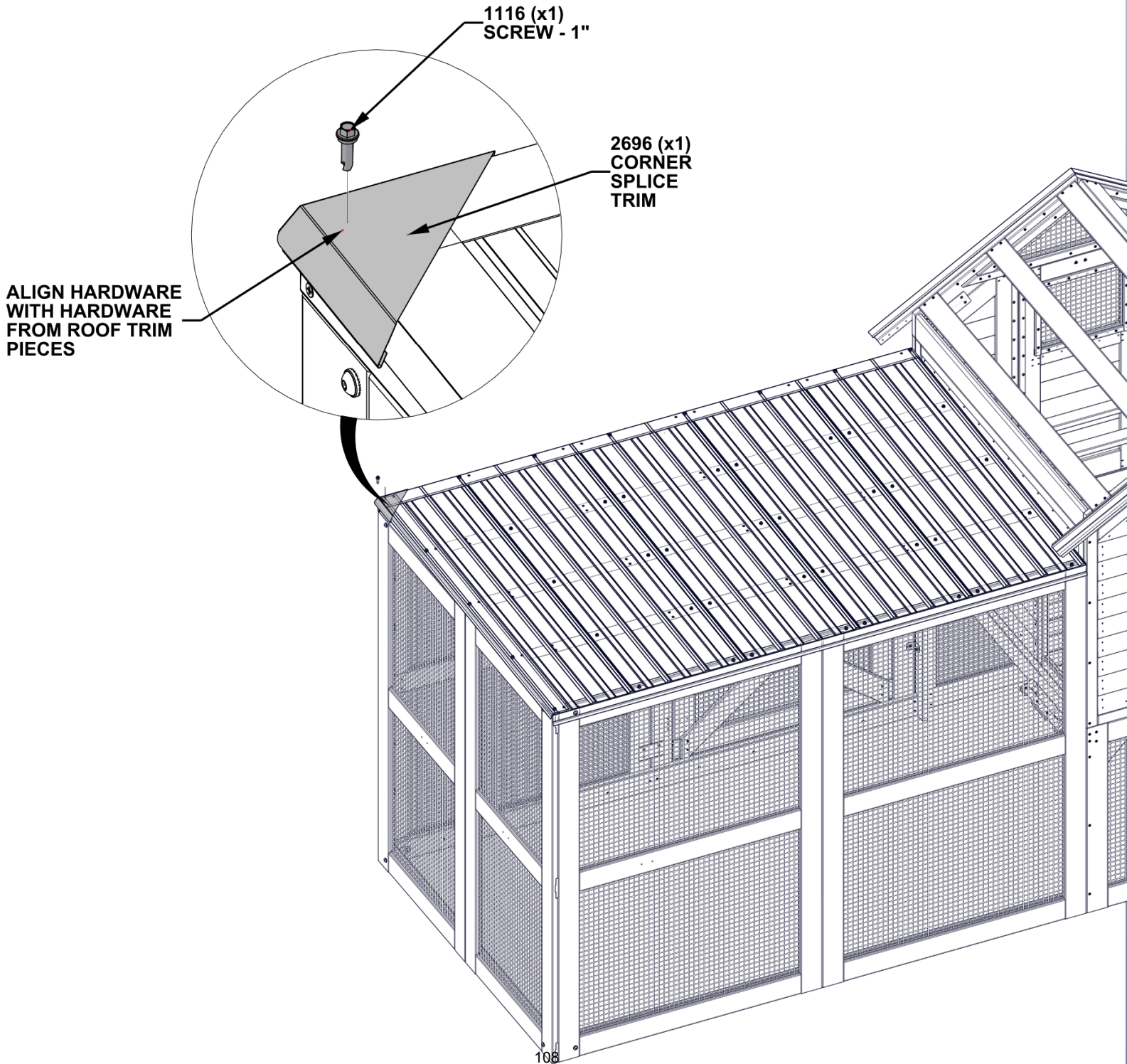


STEP 74 - ROOF ASSEMBLY

QTY	PART NUMBER	DESCRIPTION
1	H101116	SCREW SELF TAPPING 1/4x1 BLK

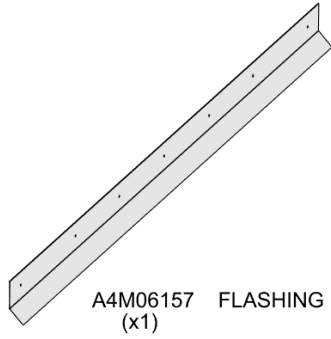


A4M02696 CORNER SPLICE TRIM
(x1)



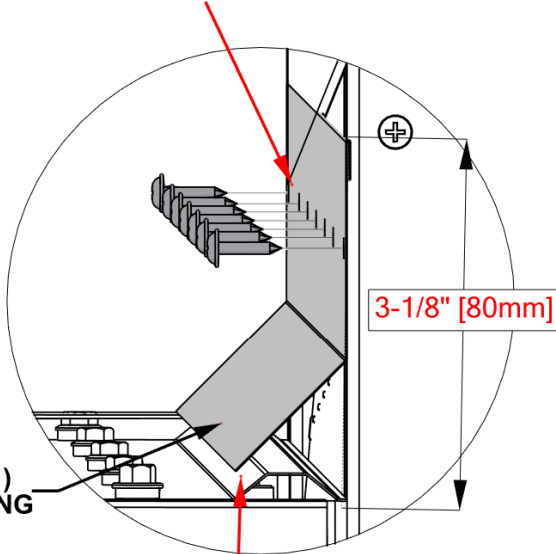
STEP 75 - ROOF ASSEMBLY

QTY	PART NUMBER	DESCRIPTION
7	H100202	SCREW PWH 8x5/8 BLK

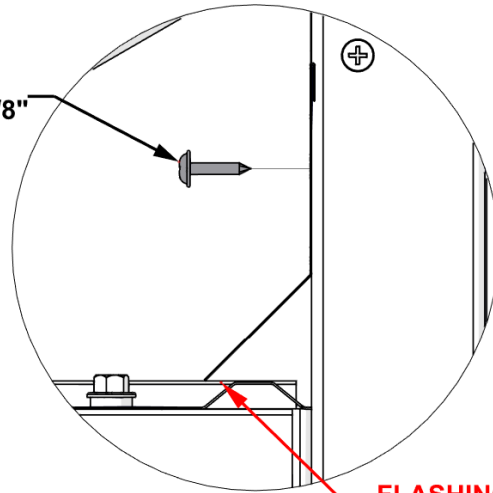


- WARNING:**
- GLOVES ARE RECOMMENDED WHEN HANDLING STEEL ROOF SHEETS.
 - DO NOT GET ON ROOF TO ATTACH SCREWS.
 - REMOVE BLUE FILM FROM METAL COMPONENTS.

USING A 1/8" [3mm] DRILL BIT, DRILL A PILOT HOLE 1/8" [3mm] DEEP TO ATTACH HARDWARE



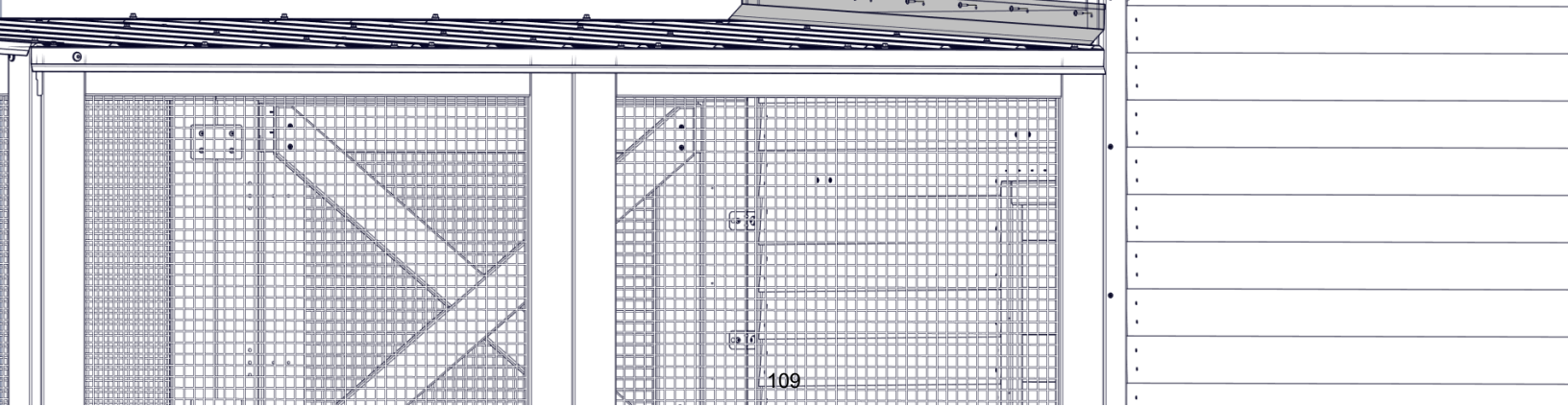
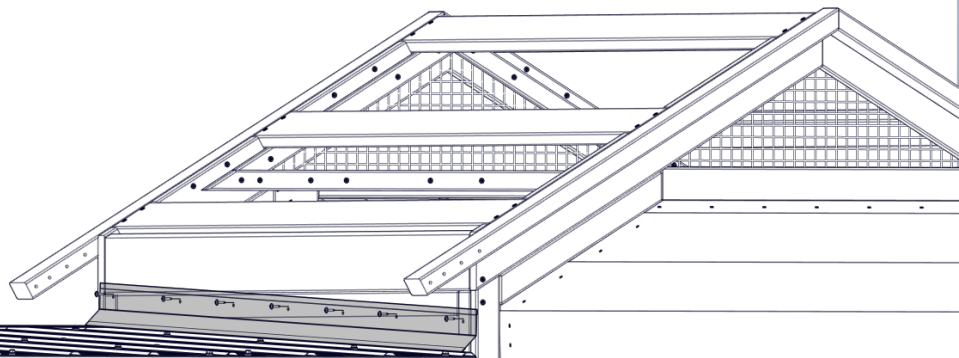
202 (x7)
SCREW - 5/8"



FLASHING WILL NOT REST ON ROOF

FLASHING WILL FOLLOW SLOPE OF ROOF TO HELP SHED WATER

TIP: CENTER FLASHING TO THE WALL PANEL AND INSTALL TO FOLLOW THE SLOPE OF THE CHICKEN RUN ROOF.



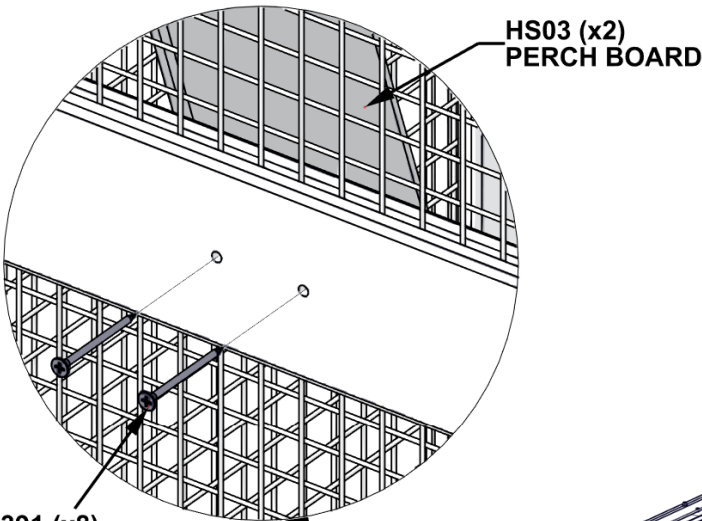
STEP 76 - CHICKEN RUN ASSEMBLY

QTY	PART NUMBER	DESCRIPTION
8	H100391	SCREW PFH 8x2 BLK



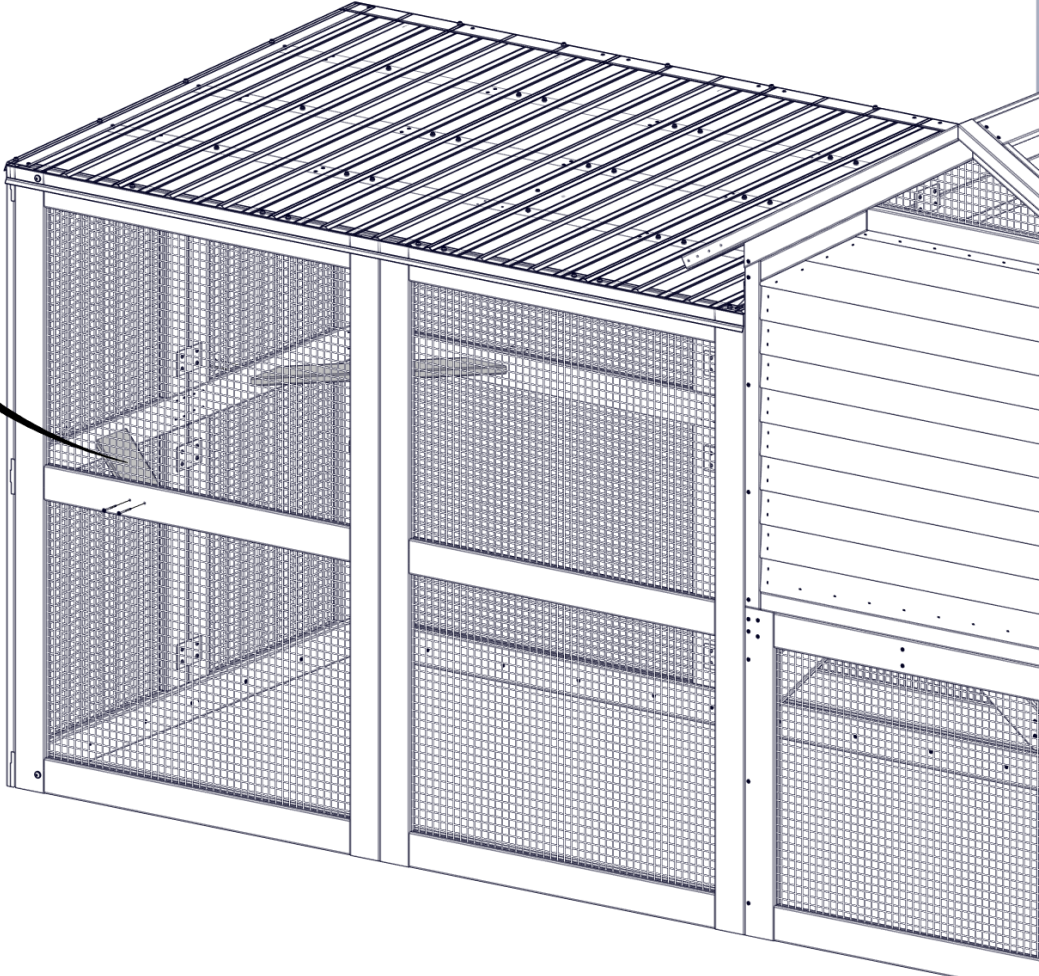
HS03 PERCH BOARD - W4L22598
(x2) 13/16"x3 3/8"x24" (20x86x610)

- ALIGN HOLES IN WALL PANEL WITH PILOT HOLES ON ENDS OF HS03 PERCH BOARD, FASTEN FROM OUTSIDE THE CHICKEN RUN.
- COMPLETE ON BOTH SIDES OF CHICKEN RUN.



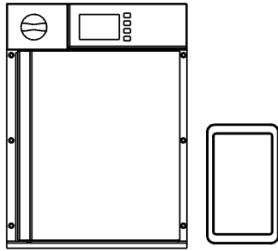
HS03 (x2)
PERCH BOARD

391 (x8)
SCREW - 2"



STEP 77 - CHICKEN RUN ASSEMBLY

QTY	PART NUMBER	DESCRIPTION
6	H100395	SCREW PFH 8x3/4 BLK

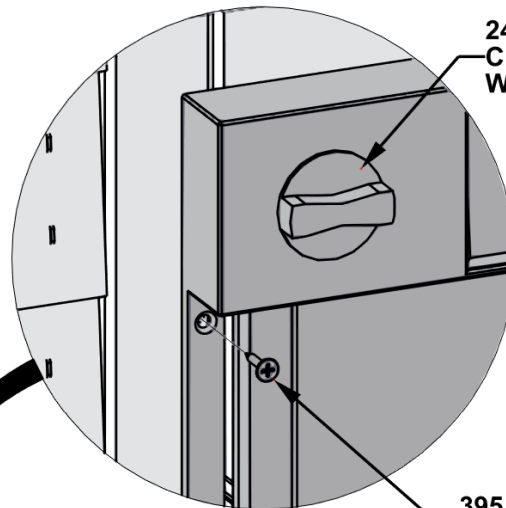


9240247 CHICKEN COOP DOOR W/ SOLAR PANEL
(x1)

- ALIGN PILOT HOLES, DO NOT OVERTIGHTEN HARDWARE.

- INSTRUCTIONS FOR DOOR OPERATION CAN BE FOUND WITHIN THE BOX IT COMES IN.
- INSTALL DOOR SOLAR PANEL IN DESIRED LOCATION AFTER THE CHICKEN COOP IS COMPLETE USING AN EXTRA PFH SCREW.

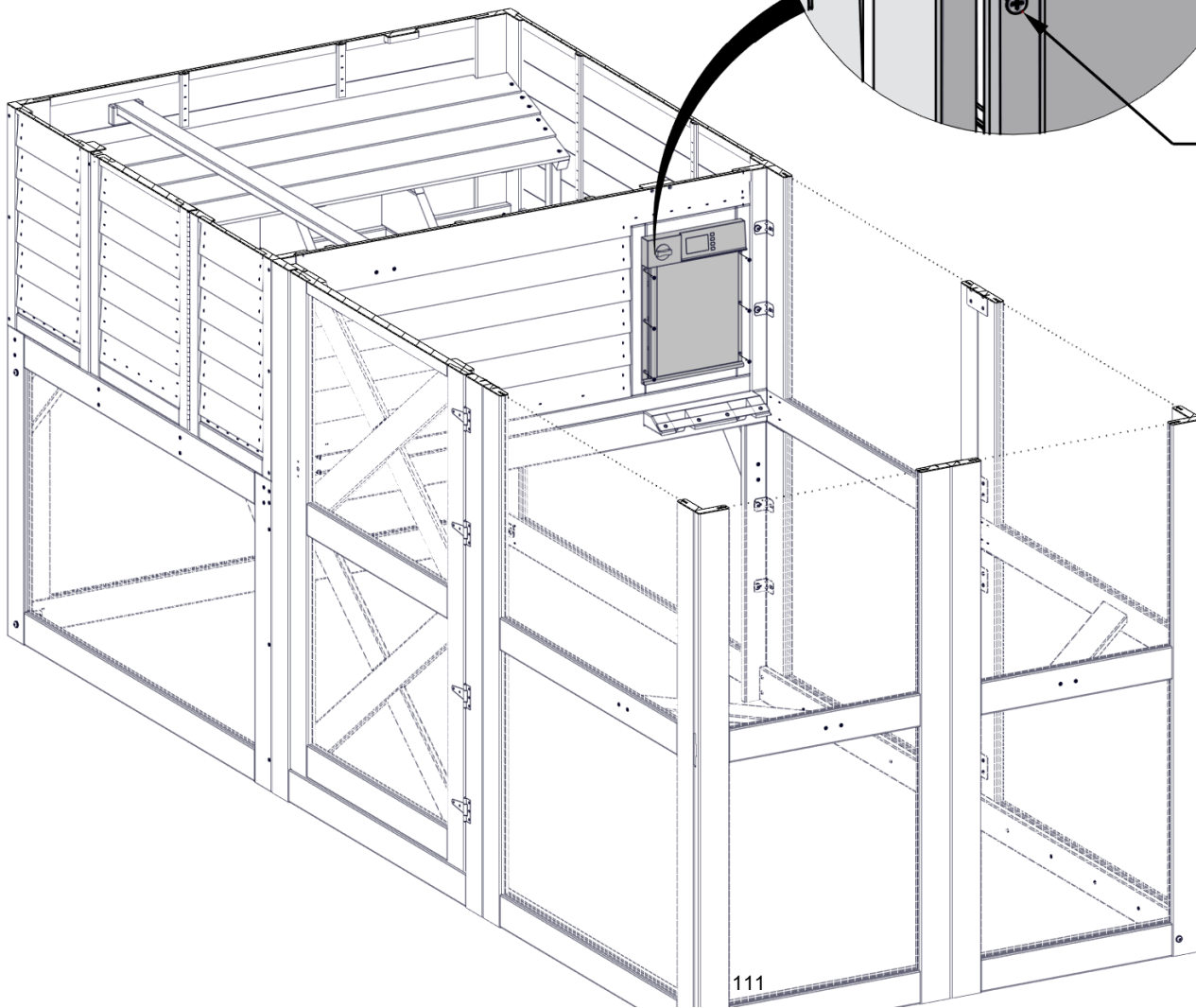
ROOF HIDDEN
TO SHOW DETAIL



247 (x1)
CHICKEN COOP DOOR
W/ SOLAR PANEL

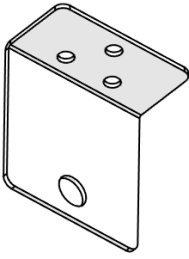
**DO NOT
OVERTIGHTEN**

395 (x6)
SCREW - 3/4"

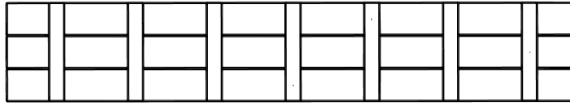


STEP 78A - CHICKEN RUN ASSEMBLY

QTY	PART NUMBER	DESCRIPTION
6	H100392	SCREW PWH 8x3/4 BLK

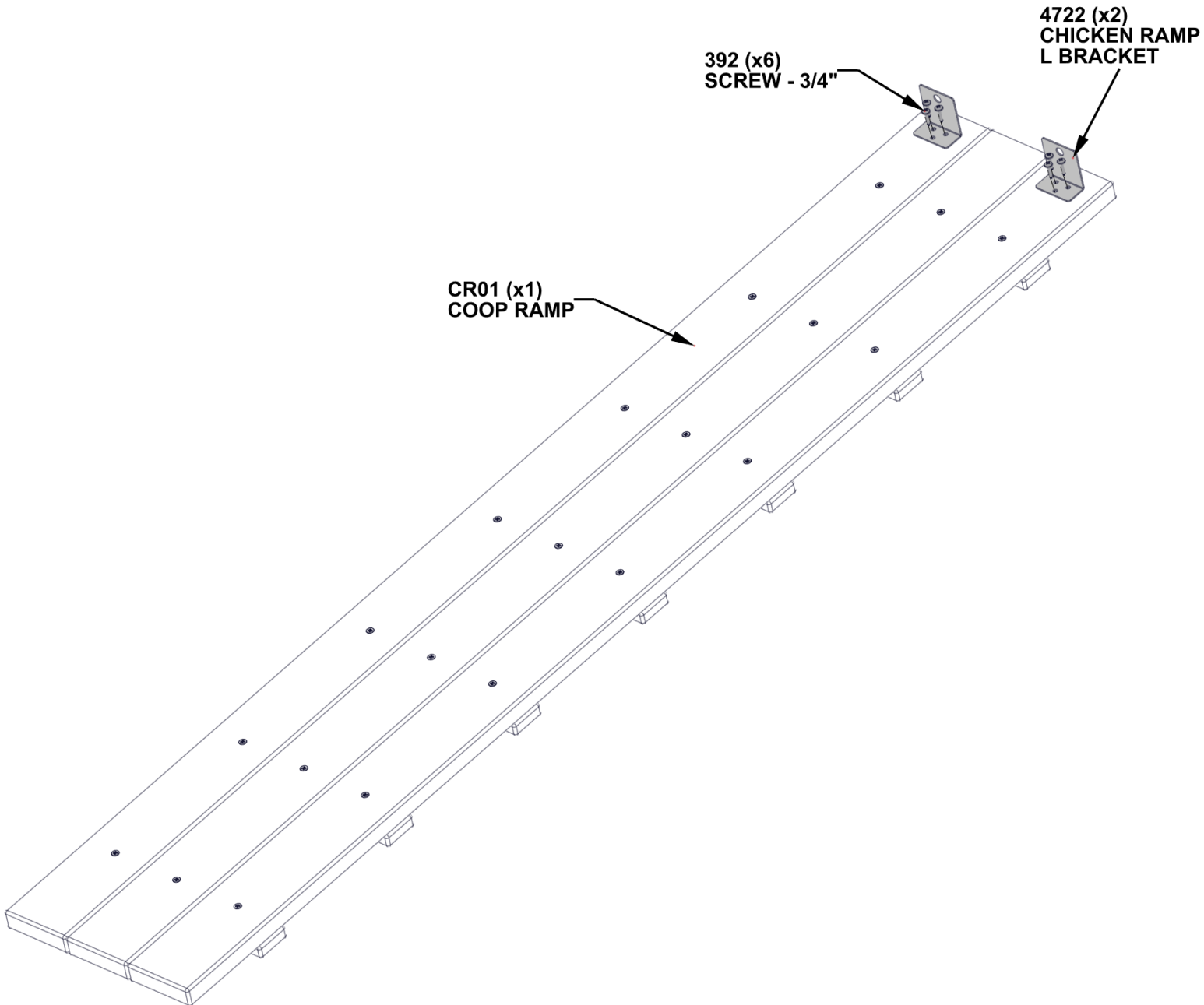


A4M04722 CHICKEN RAMP L BRACKET
(x2)

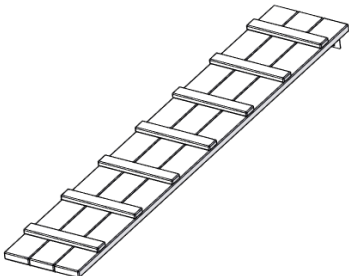


CR01 COOP RAMP - W2A04689
(x1) 1 9/16"x10 3/16"x58 3/4" (40x258x1492)

- ALIGN PILOT HOLES.

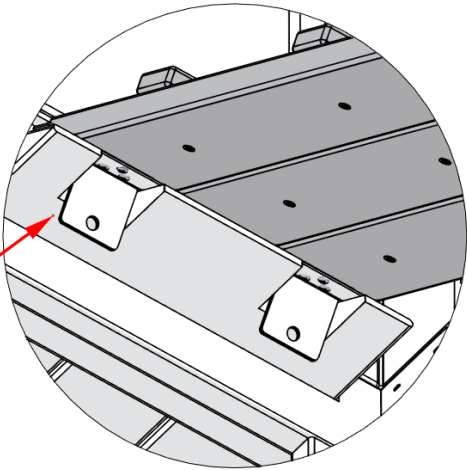


STEP 78B - CHICKEN RUN ASSEMBLY



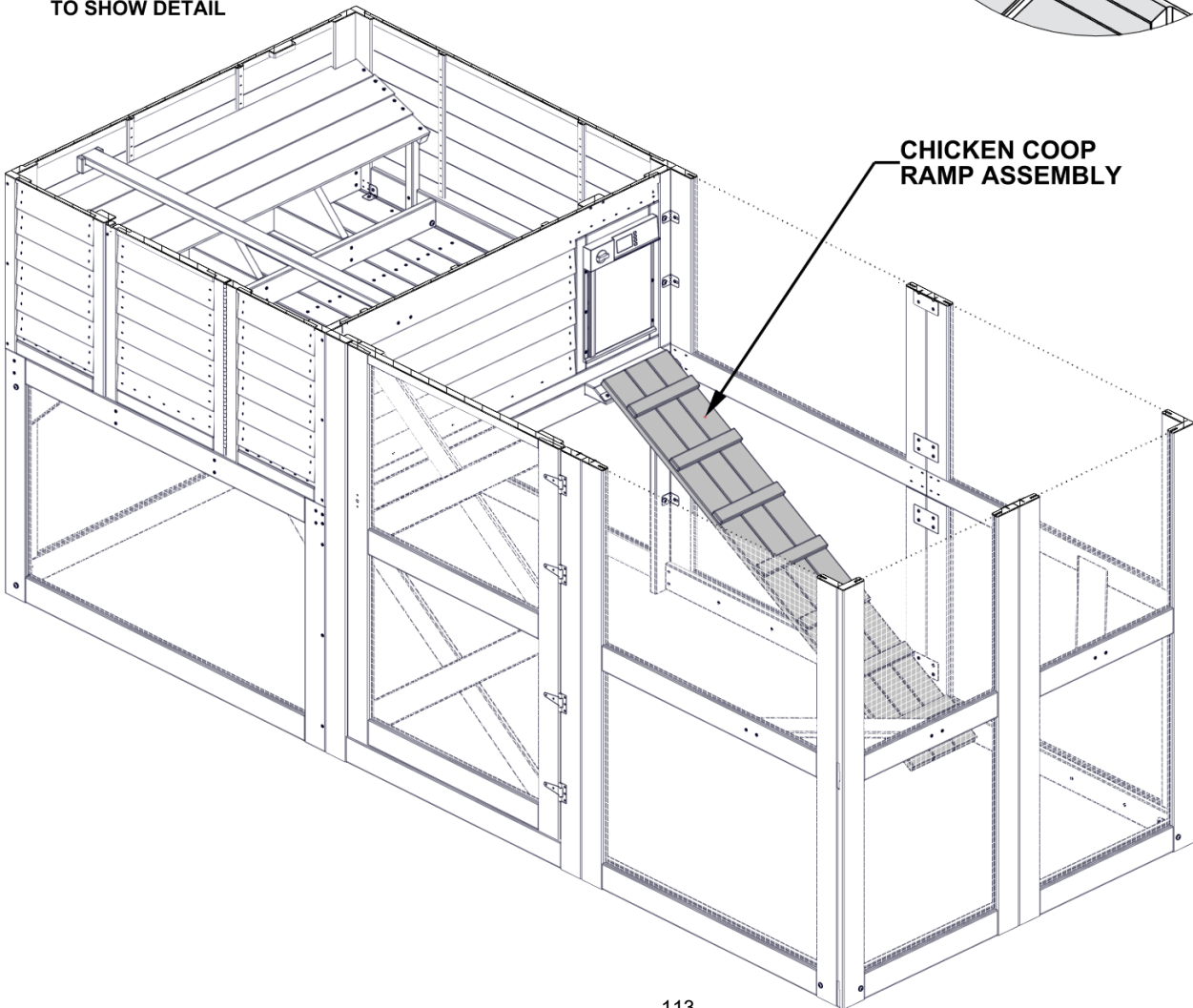
CHICKEN COOP RAMP ASSEMBLY - PREVIOUS STEP

- NOTE ORIENTATION OF ASSEMBLY, L-BRACKETS ON RAMP GO BEHIND TABS ON THE RAMP BRACKET.



NOTE ORIENTATION OF CHICKEN COOP RAMP

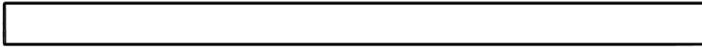
ROOF HIDDEN TO SHOW DETAIL



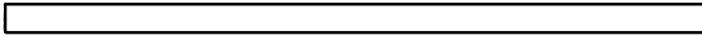
CHICKEN COOP RAMP ASSEMBLY

STEP 79 - CHICKEN COOP ASSEMBLY

QTY	PART NUMBER	DESCRIPTION
16	H101109	SCREW PFH 8x3-1/2 BLK

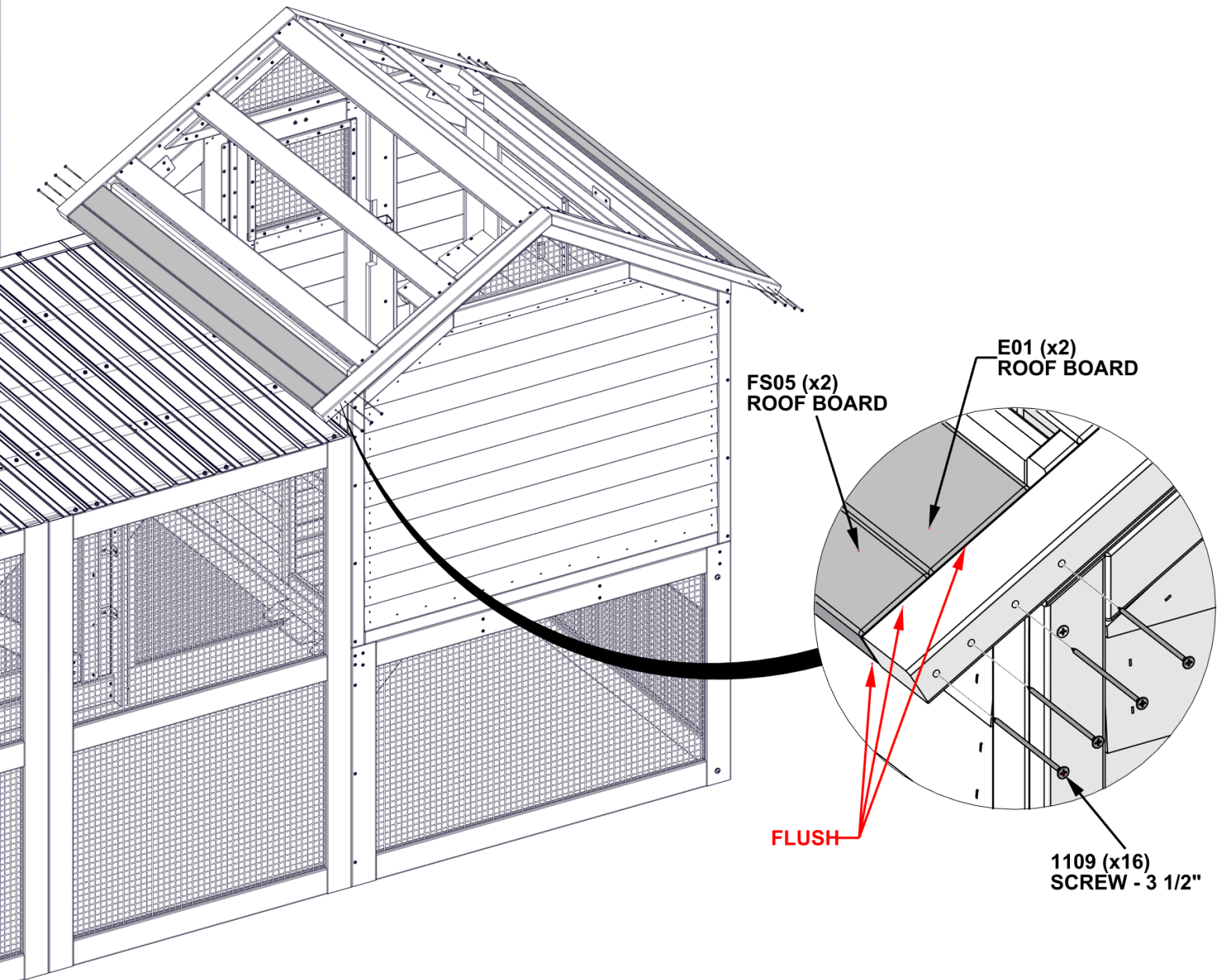


E01 ROOF BOARD - W4L21635
(x2) 1 1/4"x3 3/8"x55 3/4" (32x86x1416)



FS05 ROOF BOARD - W4L21636
(x2) 1 1/4"x2 3/8"x55 3/4" (32x60x1416)

- ALIGN PILOT HOLES.



STEP 80A - CHICKEN COOP ASSEMBLY



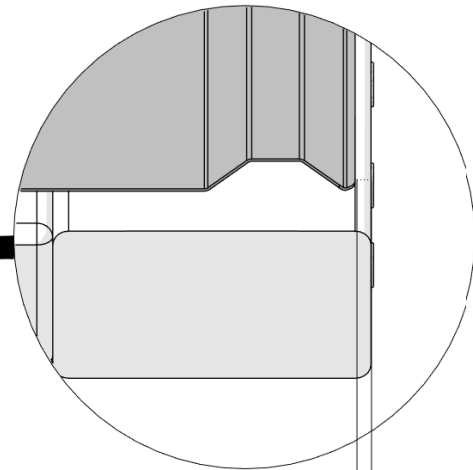
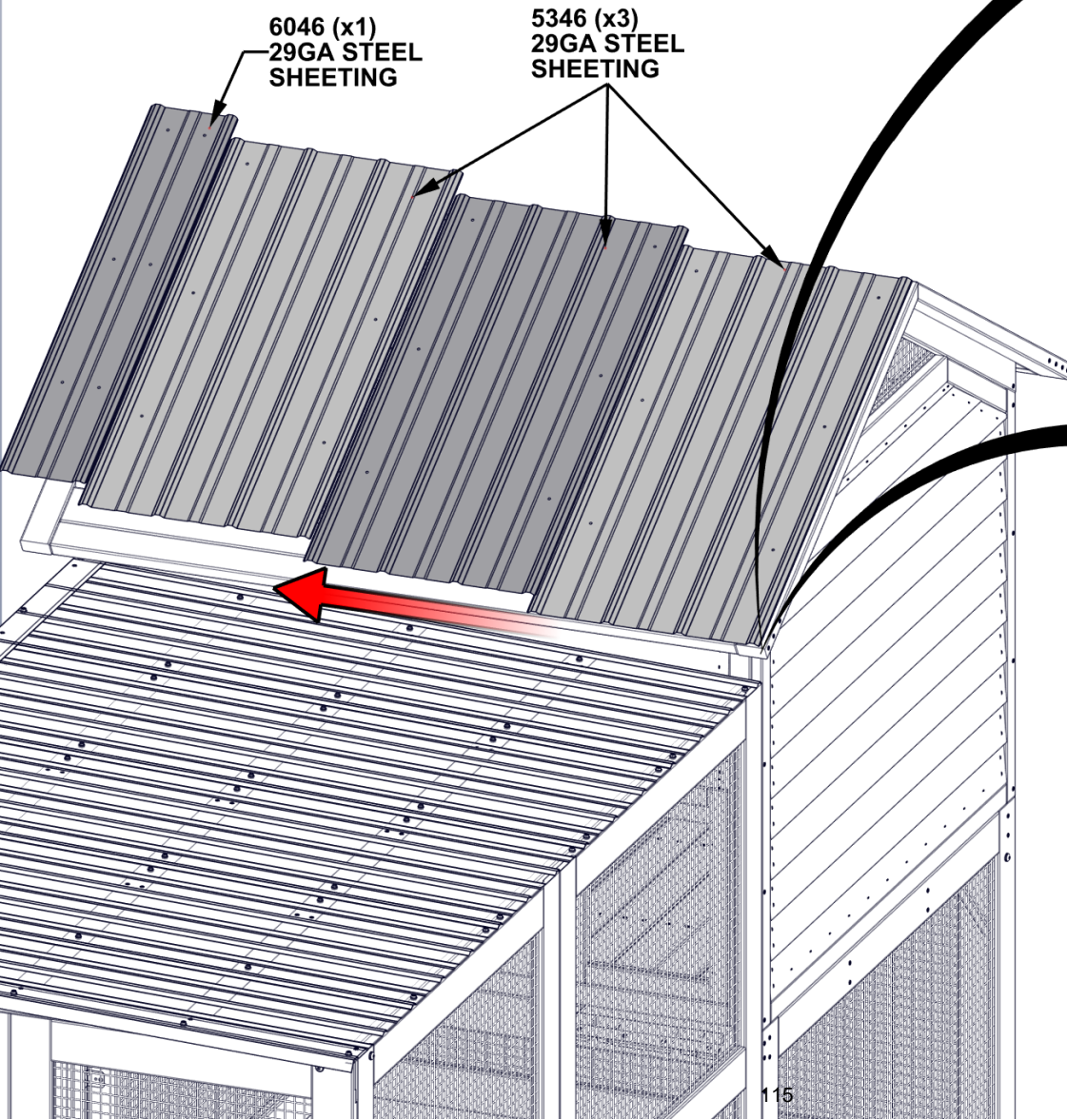
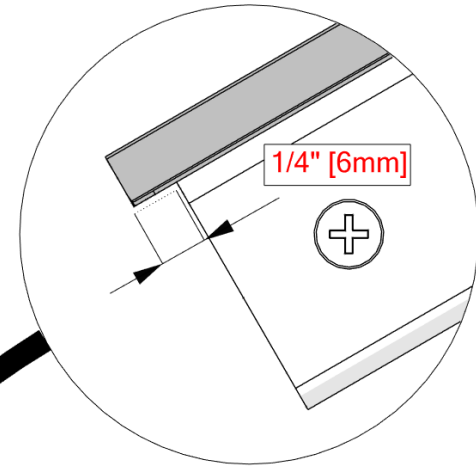
A4M05346 29GA STEEL SHEETING
(x3)



A4M06046 29GA STEEL SHEETING
(x1)

WARNING:

- GLOVES ARE RECOMMENDED WHEN HANDLING STEEL ROOF SHEETS.
- REMOVE BLUE FILM FROM ROOF PANELS.
- ORIENTATE ROOF PANELS AS SHOWN.
- START WITH THE FIRST SHEET 1/8" [3mm] FROM THE EDGE OF THE ROOF. THEN MARK WHERE THE NEXT SHEET WILL LAND AS SHOWN BELOW TO ENSURE WILL ALIGN CORRECTLY. THE LAST SHEET SHOULD ALIGN CLOSE TO THE EDGE OF THE OPPOSITE SIDE.
- OVERHANG SHEETS 1/4" [6mm] FROM EDGE.
- SEE NEXT STEPS FOR FASTENING REQUIREMENTS.



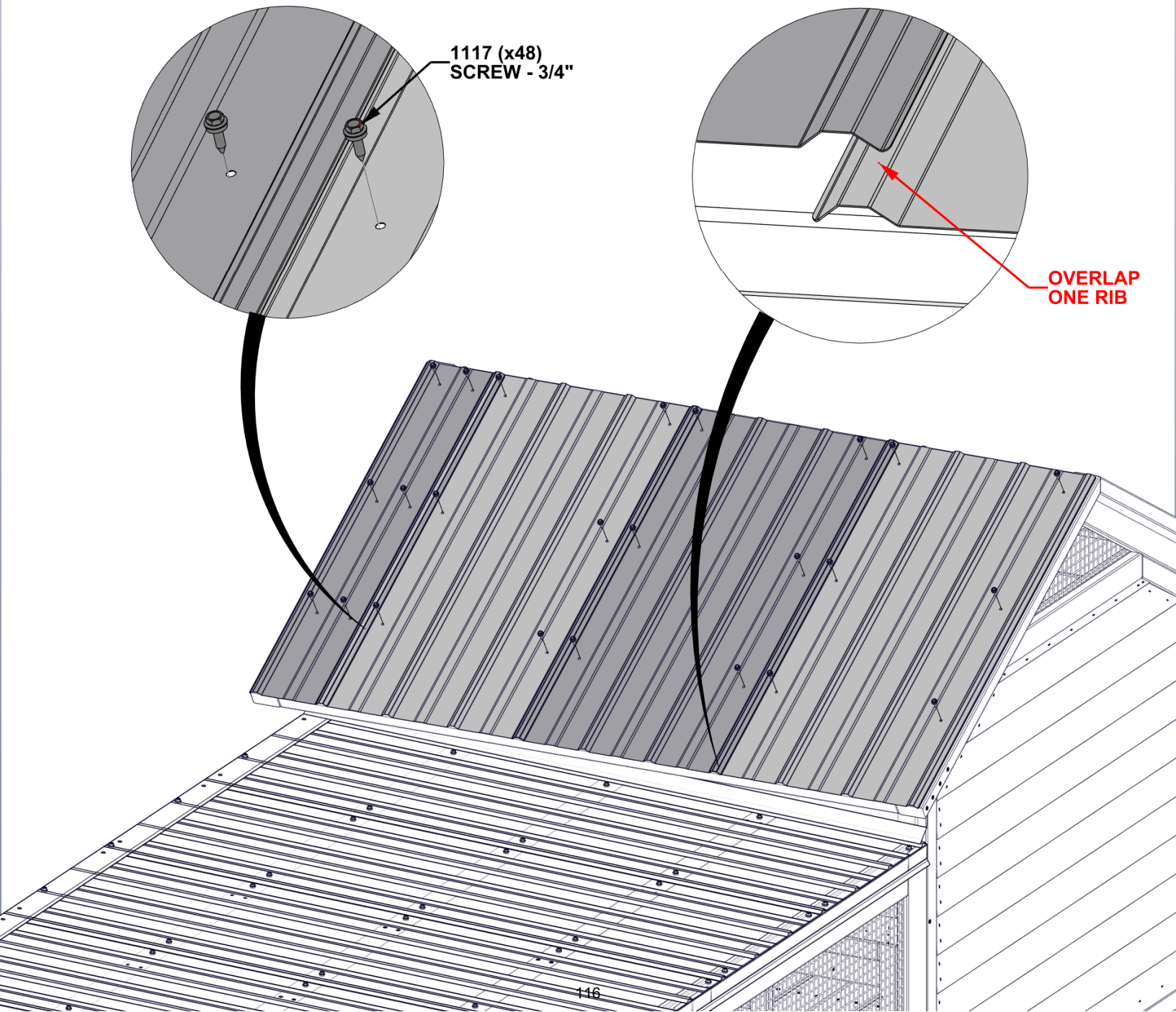
1/8" [3mm]

STEP 80B - CHICKEN COOP ASSEMBLY

QTY	PART NUMBER	DESCRIPTION
48	H101117	SCREW WOODGRIP 10-16x3/4 BLK

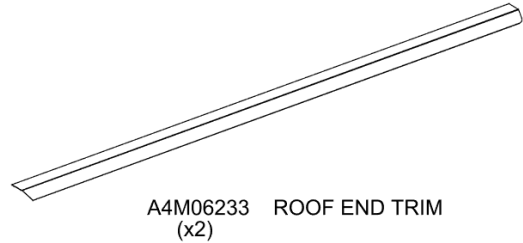
WARNING:

- GLOVES ARE RECOMMENDED WHEN HANDLING STEEL ROOF SHEETS.
- DO NOT GET ON THE ROOF TO ATTACH SCREWS.
- REPEAT STEPS 80A AND 80B FOR OPPOSITE SIDE OF ROOF.



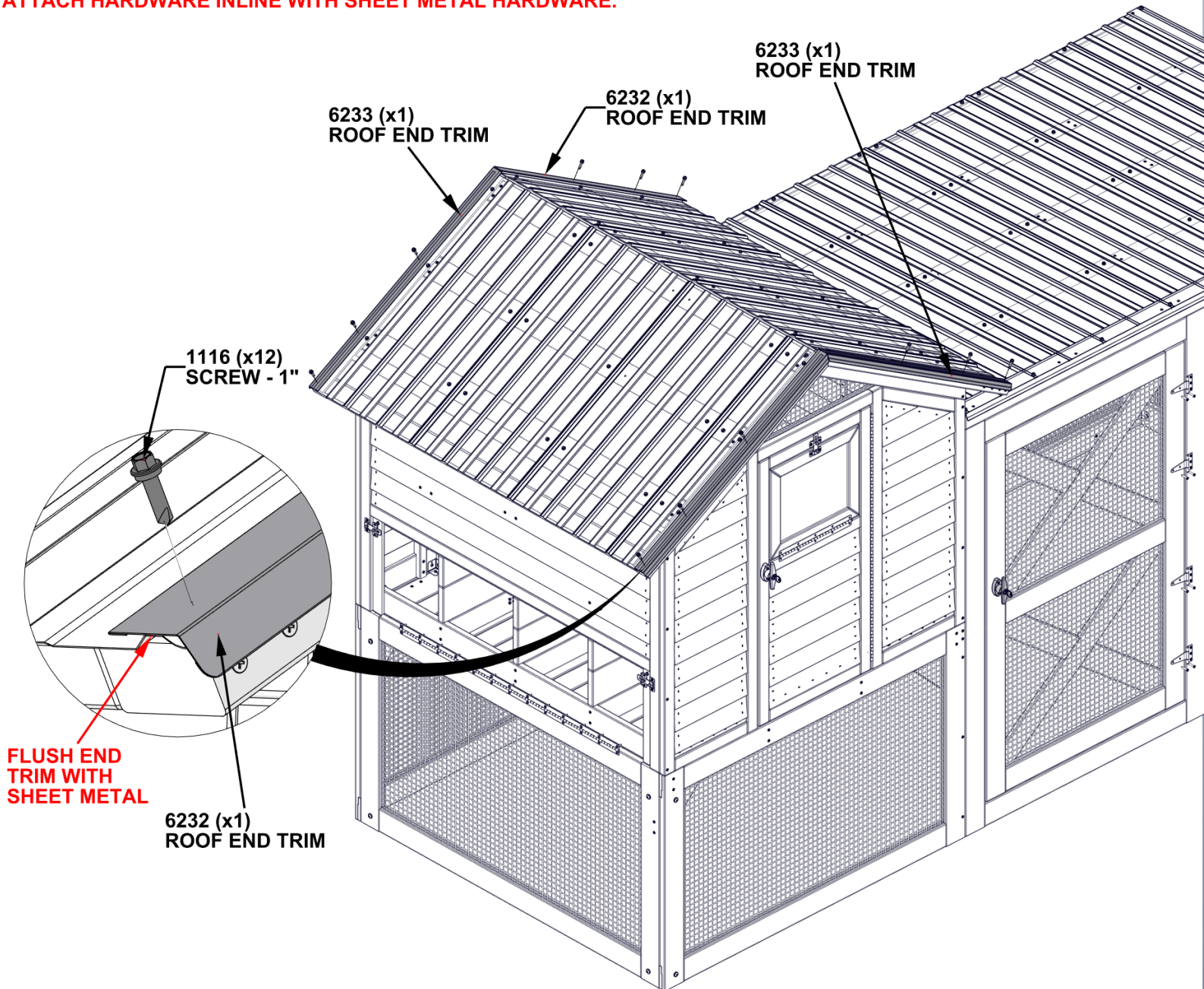
STEP 81 - CHICKEN COOP ASSEMBLY

QTY	PART NUMBER	DESCRIPTION
12	H101116	SCREW SELF TAPPING 1/4x1 BLK



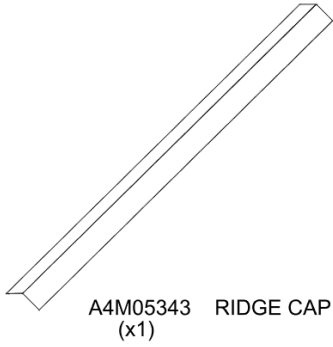
WARNING:

- GLOVES ARE RECOMMENDED WHEN HANDLING STEEL ROOF SHEETS.
- REMOVED BLUE FILM FROM EDGE TRIM.
- ORIENTATE TRIM AS SHOWN BELOW.
- ATTACH HARDWARE INLINE WITH SHEET METAL HARDWARE.



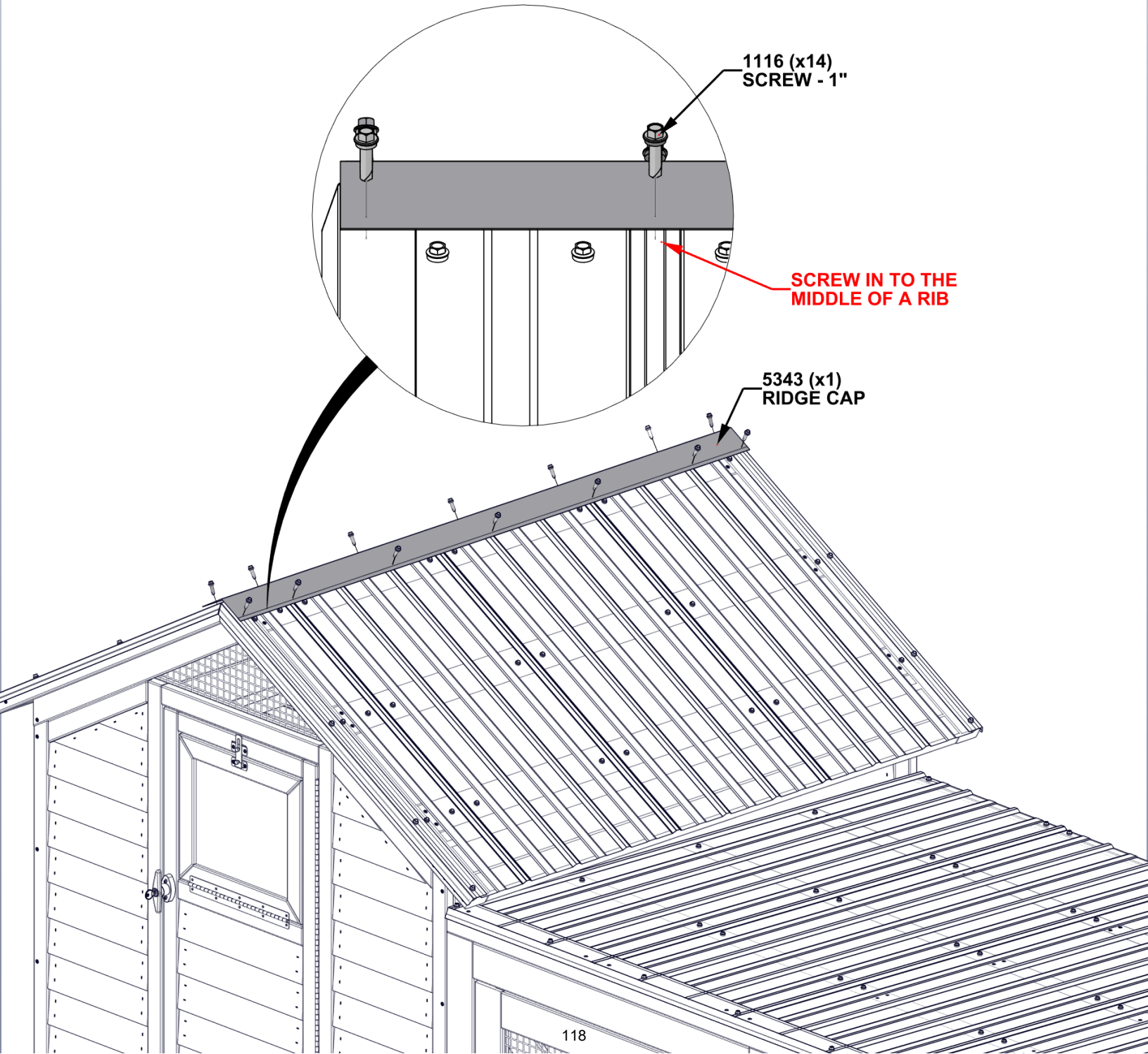
STEP 82 - CHICKEN COOP ASSEMBLY

QTY	PART NUMBER	DESCRIPTION
14	H101116	SCREW SELF TAPPING 1/4x1 BLK

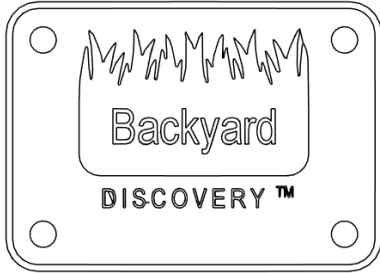


WARNING:

- GLOVES ARE RECOMMENDED WHEN HANDLING STEEL ROOF SHEETS.
- REMOVED BLUE FILM FROM RIDGE CAP.
- ORIENTATE RIDGE CAP AS SHOWN BELOW.



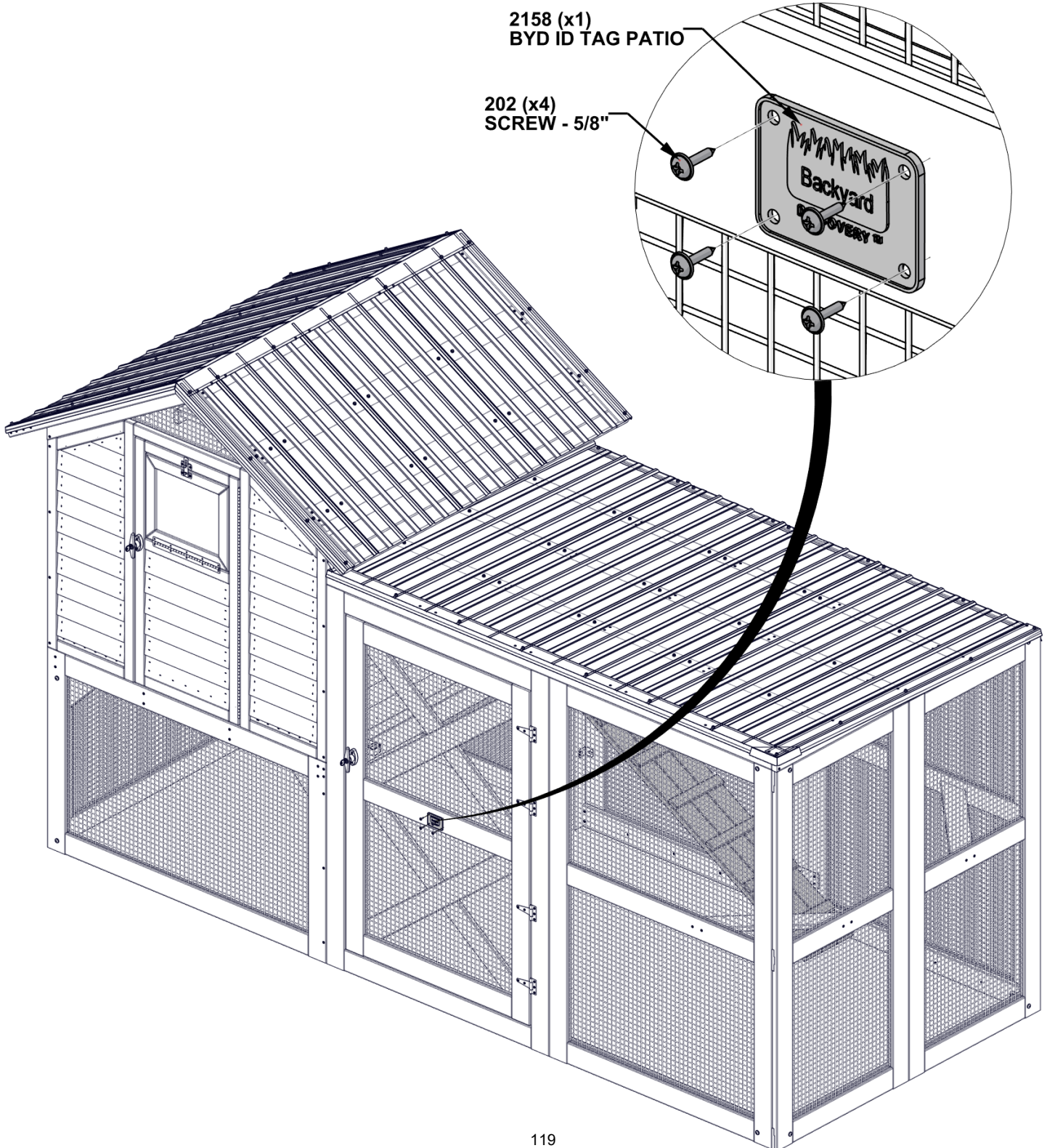
STEP 83 - CHICKEN RUN ASSEMBLY



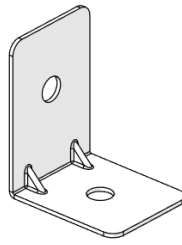
A4M02158 BYD ID TAG
(x1)

QTY	PART NUMBER	DESCRIPTION
4	H100202	SCREW PWH 8x5/8 BLK

- CENTER ID TAG ON DOOR AS SHOWN.

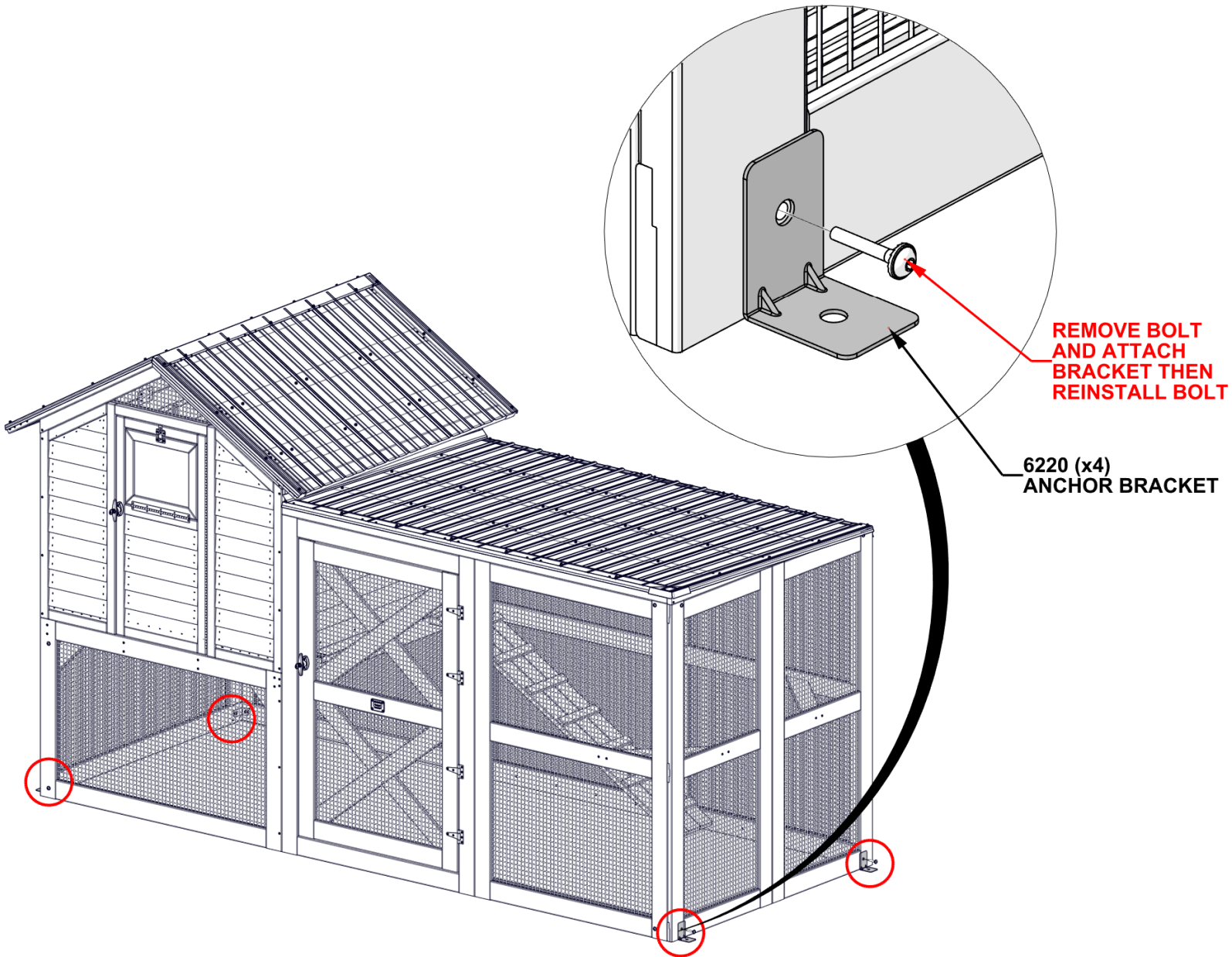


STEP 84 - CHICKEN RUN ASSEMBLY

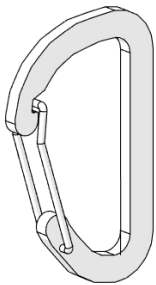


A4M06220 ANCHOR BRACKET
(x4)

- REMOVE BOLT AND ATTACH BRACKET AS SHOWN. DO NOT REMOVE BARREL NUT ON BACKSIDE, THIS ENSURES BRACKET INSIDE CHICKEN RUN STAY IN PLACE.
- COMPLETE THIS STEP ON BACK SIDE OF COOP.

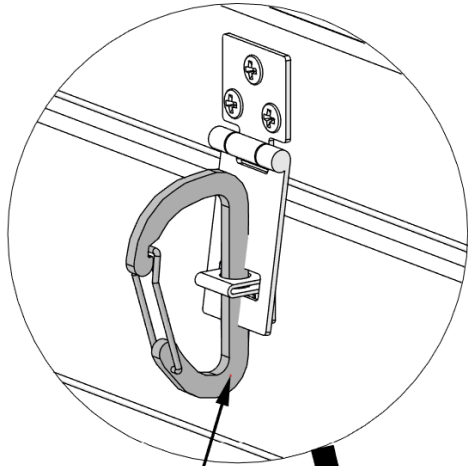


STEP 85 - CHICKEN RUN ASSEMBLY

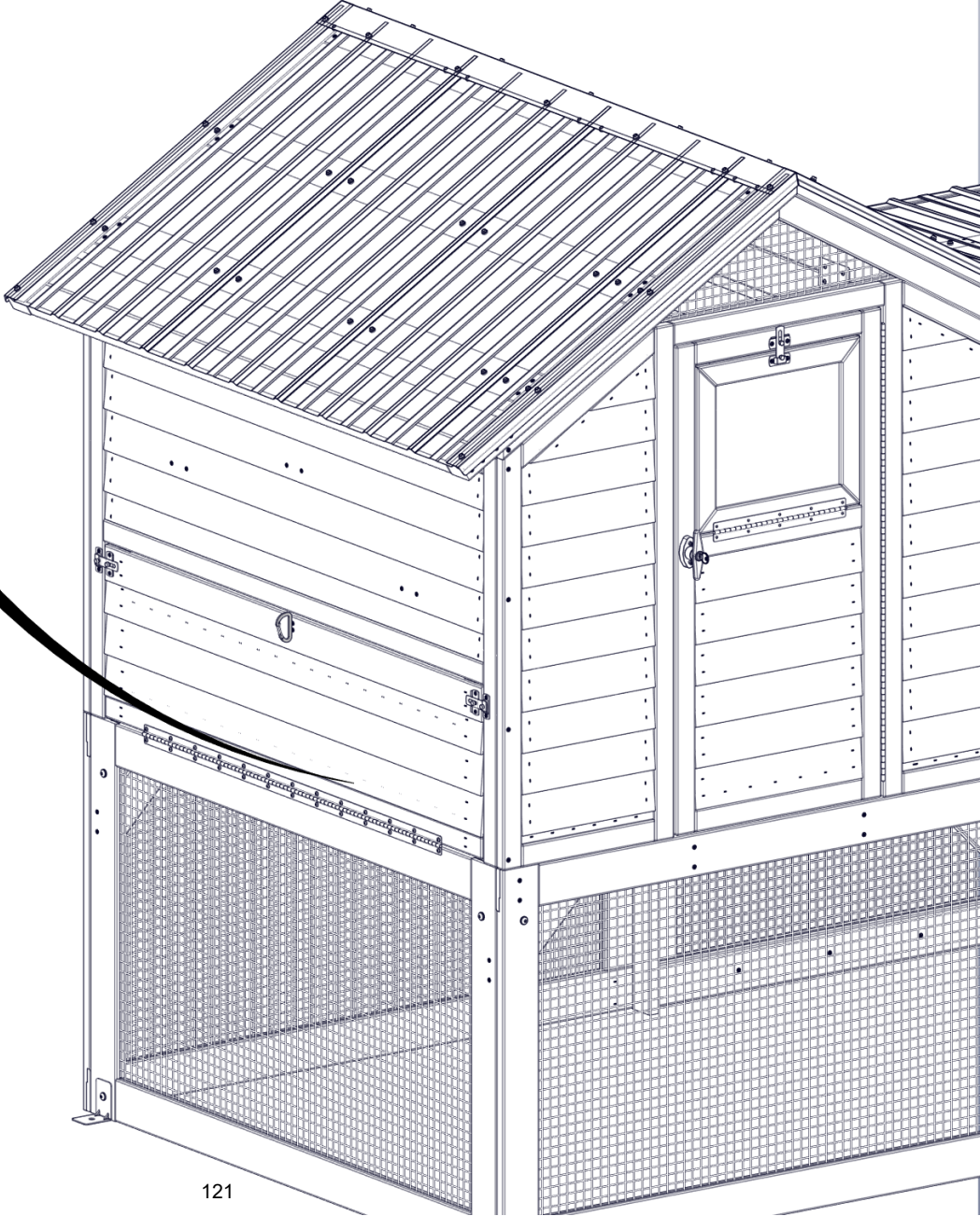


A4M02971 CARABINR
(x1)

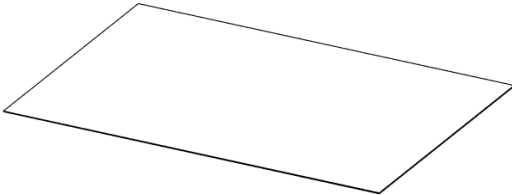
- CARABINER HAS BEEN PROVIDED FOR OPTIONAL USE OF SECURING DOOR LATCH.



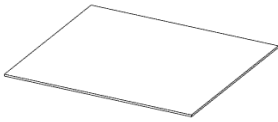
2971 (x1)
CARABINER



STEP 86 - CHICKEN RUN ASSEMBLY

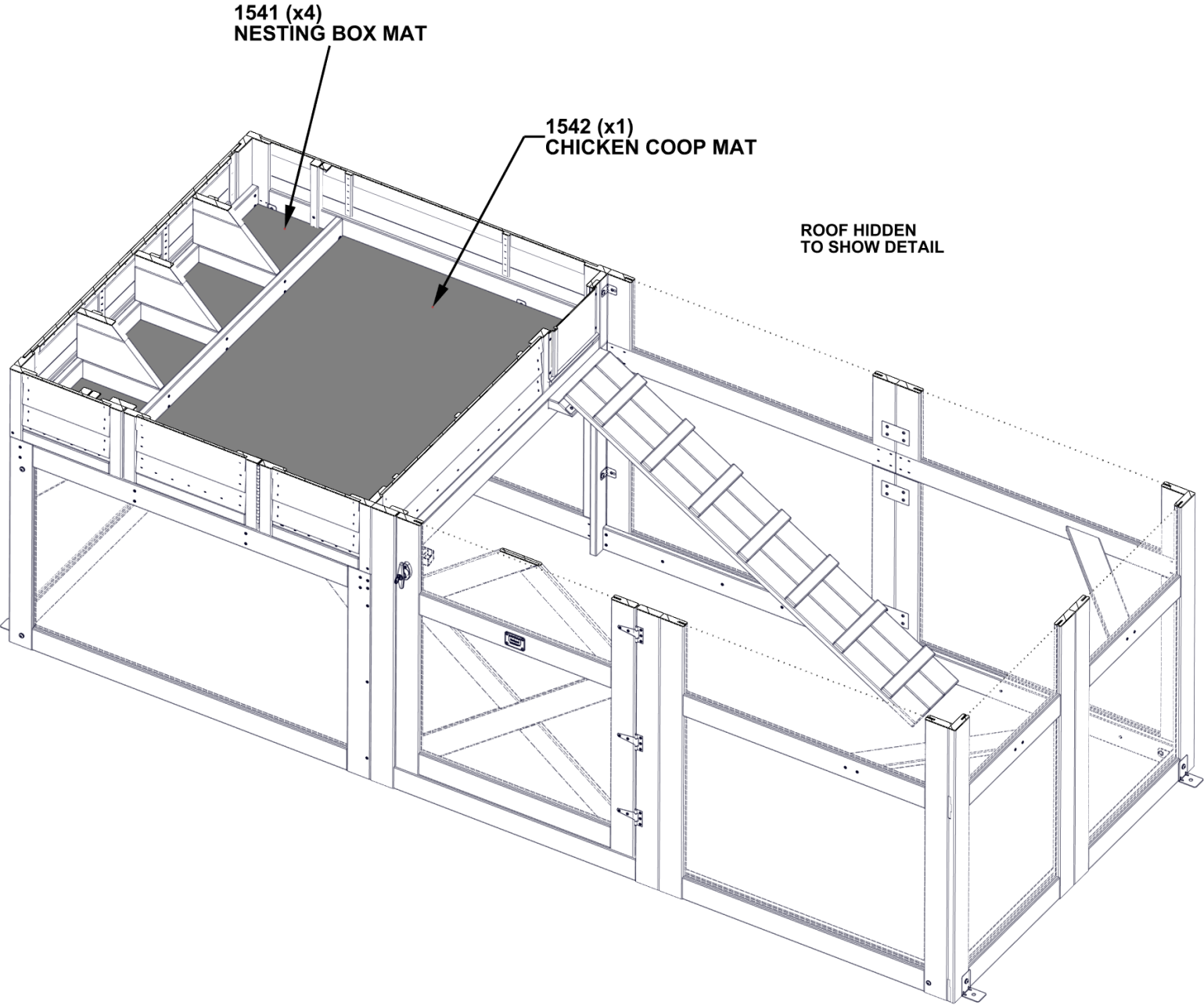


A6P01542 CHICKEN COOP MAT
(x1)

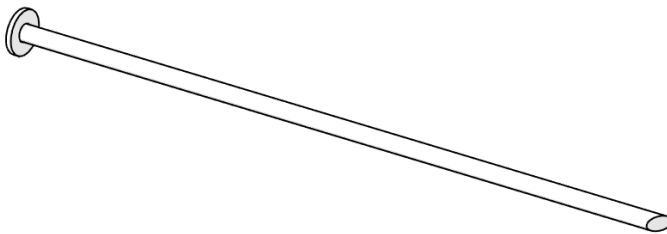


A6P01541 NESTING BOX MAT
(x4)

- PLACE MATS INSIDE COOP AND NESTING BOXES.



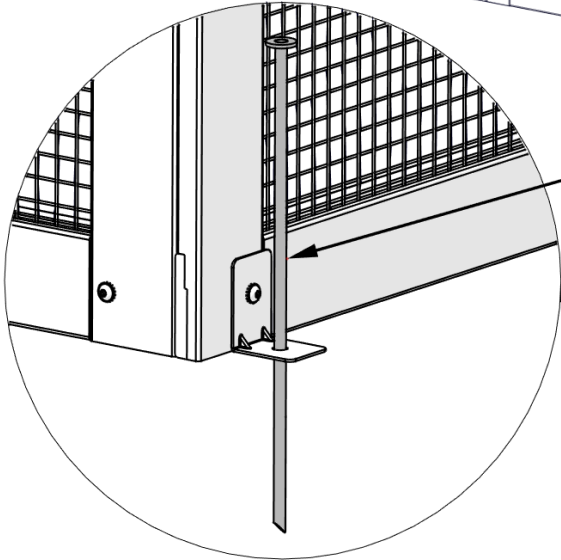
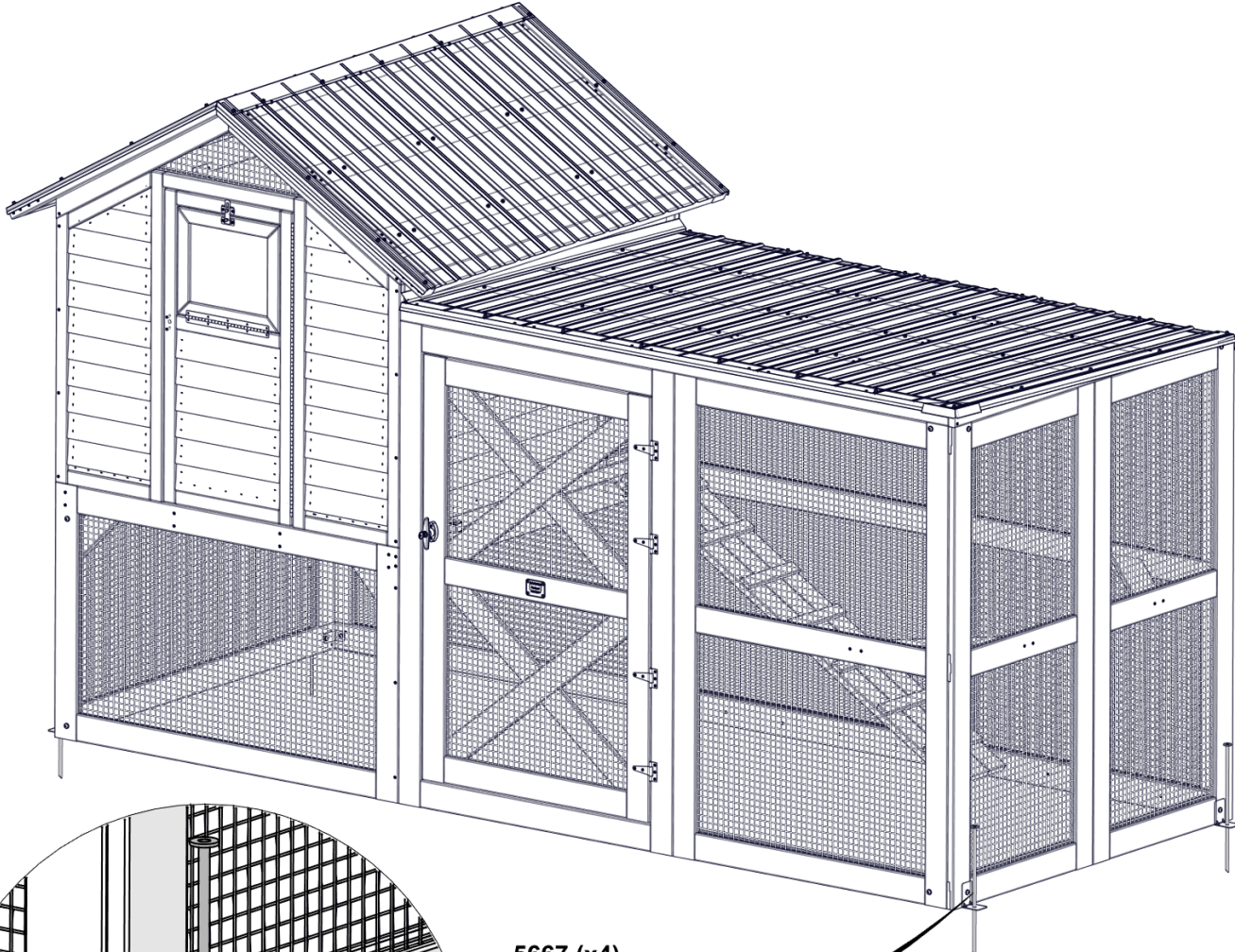
STEP 87A - CHICKEN RUN ASSEMBLY



A4M05667 GROUND STAKE REBAR
(x4)

IF CHICKEN COOP IS ON A CONCRETE SURFACE, SEE STEP 87B FOR ANCHORING STRUCTURE.

IT IS RECOMMENDED TO ANCHOR YOUR CHICKEN COOP ON LEVEL GROUND OR CONCRETE PAD.



5667 (x4)
GROUND STAKE

STEP 87B - CHICKEN RUN ASSEMBLY

QTY	PART NUMBER	DESCRIPTION
4	H101165	CONCRETE ANCHOR 3/8x3" BLK

IF CHICKEN COOP IS NOT ON A CONCRETE SURFACE, SEE STEP 87A FOR ANCHORING STRUCTURE.

IT IS RECOMMENDED TO ANCHOR YOUR CHICKEN COOP ON LEVEL GROUND OR CONCRETE PAD.

