



MANUFACTURED BY:
Backyard Discovery
3305 Airport Drive, Pittsburg, KS 66762
800-856-4445

Basepoint Business Centre: Rivermead Drive, Westlea, Swindon SN5 7EX Phone: 0800-118-2476
J.P. Coenstraat 7, The Bridge, The Hague, 2595 WP, Netherlands Phone: 0800-567-8990

SCENIC HEIGHTS

Playhouse

Model # 1605336B

The assembly manual must be retained since it contains important information.



WARNING

Adult Assembly Required.

Not suitable for children under 2 years due to small parts.

FOR DOMESTIC USE ONLY. INTENDED FOR OUTDOOR USE.



Please visit www.backyarddiscovery.com

For the most up to date assembly manual, to register your set, or to order replacement parts

Para obtener instrucciones en español, visite www.backyarddiscovery.com



EASY STEP-BY-STEP
3D INTERACTIVE INSTRUCTIONS
DOWNLOAD THE FREE APP



Owner's Manual - Basic Setup Dimensions & Assembly Notes

Selecting the correct location for your play product is important for your children's safety and the product's longevity

- The safe play area refers to a zone extending 6'-7" (2007 mm) beyond the play product on all sides, including the space above the play product.

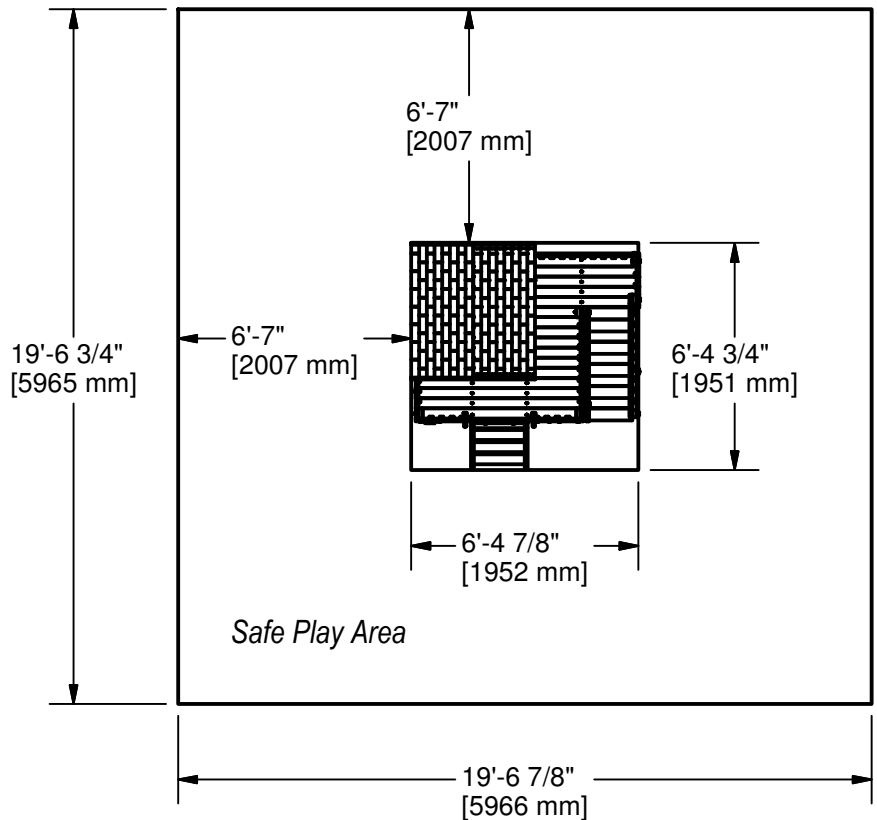
SAFE PLAY AREA DIAGRAM

Ground Dimension

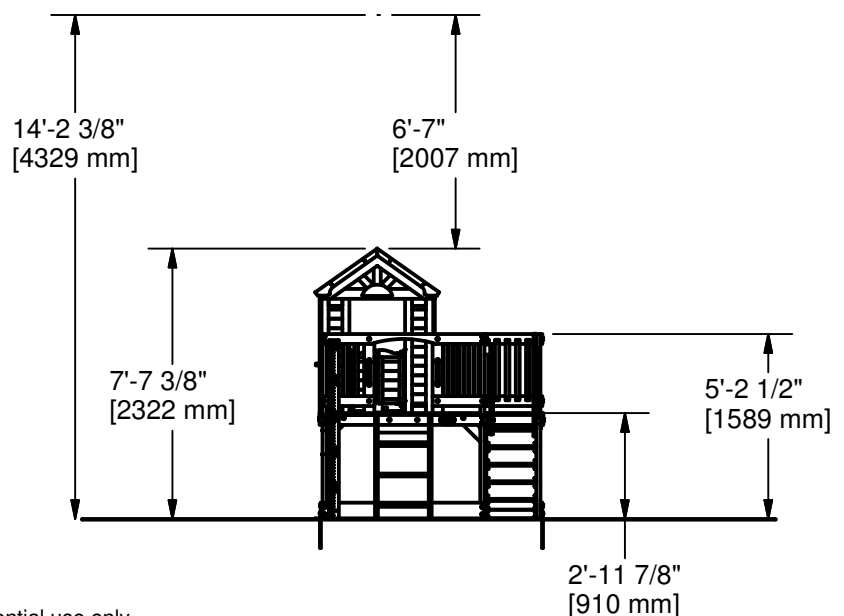
6'-4 3/4" [1951 mm] x 6'-4 7/8" [1952 mm]

Safe Play Area

19'-6 3/4" [5965 mm] x 19'-6 7/8" [5966 mm] x 14'-2 3/8" [4329 mm]



SAFE PLAY HEIGHT: 14'-2 3/8" [4329 mm]
MAXIMUM FALL HEIGHT: 2'-11 7/8" [910 mm]



General Information:

Your set has been designed and engineered for children only and for residential use only.
A maximum of 150 lbs. per child is recommended for play activities designed for individual use.
A maximum of 120 lbs. per child is recommended for play activities designed for multiple child use.
A maximum of 6 children is recommended for this play house.

Parts Identification

Wood Components

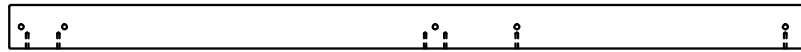
(NOT TO SCALE)



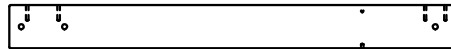
- (1) **E01 - LEFT FRONT UPRIGHT - W2A04250**
1 3/8"x3 3/8"x62 3/8" (36x86x1584)



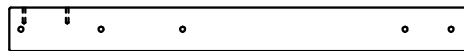
- (1) **E2 - RIGHT FRONT UPRIGHT - W4L06666**
1 3/8"x3 3/8"x62 3/8" (36x86x1584)



- (1) **E3 - RIGHT REAR UPRIGHT - W4L06648**
1 3/8"x3 3/8"x62 3/8" (36x86x1584)



- (1) **E4 - LEFT REAR UPRIGHT - W4L06388**
1 3/8"x3 3/8"x35" (36x86x889)



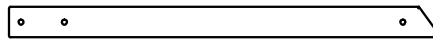
- (1) **E5 - RIGHT CENTER UPRIGHT - W4L21030**
1 3/8"x3 3/8"x36 1/4" (36x86x920)



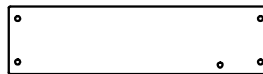
- (1) **E6 - RIGHT REAR UPRIGHT - W4L06651**
1 3/8"x3 3/8"x62 3/8" (36x86x1584)



- (1) **E7 - HANDRAIL BLOCK - W4L06678**
1 3/8"x3 3/8"x1" (36x86x26)



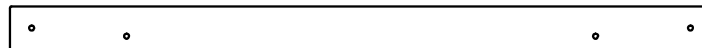
- (1) **F1 - STAIRCASE POST - W4L06662**
1 3/8"x2 3/8"x33 3/4" (36x60x858)



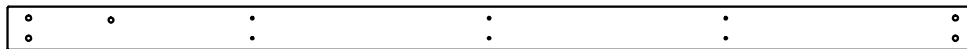
- (1) **G1 - STAIRCASE BOARD - W4L21031**
1"x5 1/4"x20 3/8" (24x134x518)



- (1) **H1 - FLOOR RAIL - W4L06391**
1"x3 3/8"x56 3/4" (24x86x1442)



- (1) **H2 - FLOOR RAIL - W4L06392**
1"x3 3/8"x54 7/8" (24x86x1394)



- (1) **H3 - FLOOR RAIL - W4L06646**
1"x3 3/8"x75 3/4" (24x86x1924)



- (1) **H4 - FLOOR RAIL - W4L06645**
1"x3 3/8"x54 7/8" (24x86x1394)



- (2) **H5 - FLOOR SUPPORT - W4L06399**
1"x3 3/8"x54 7/8" (24x86x1394)

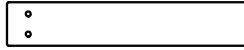
Parts Identification

Wood Components

(NOT TO SCALE)



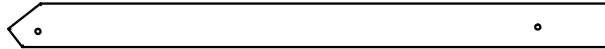
- (1) **H6 - FLOOR RAIL - W4L06654**
1"x3 3/8"x16 3/8" (24x86x416)



- (1) **H7 - FLOOR RAIL - W4L06655**
1"x3 3/8"x19" (24x86x482)



- (1) **H8 - STAIR HAND RAIL - W4L06663**
1"x3 3/8"x54" (24x86x1372)



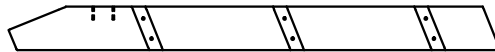
- (1) **H14 - STAIR HAND RAIL - W4L06679**
1"x3 3/8"x47 3/8" (24x86x1204)



- (6) **H20 - DECK BRACE - W4L06397**
1"x3 3/8"x13" (24x86x330)



- (3) **H76 - LADDER RUNG - W4L06609**
1"x3 3/8"x18 1/8" (24x86x460)



- (1) **H79 - LEFT UPRIGHT - W4L06611**
1"x3 3/8"x38 3/8" (24x86x976)



- (1) **H80 - RIGHT UPRIGHT - W4L06612**
1"x3 3/8"x38 3/8" (24x86x976)



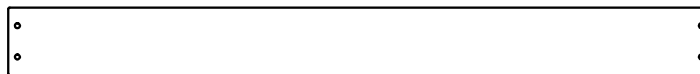
- (3) **J1 - FLOOR SUPPORT BLOCK - W4L06403**
1"x2 3/8"x3 3/8" (24x60x86)



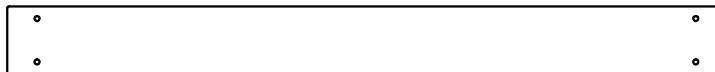
- (1) **J2 - COUNTER TOP SUPPORT - W4L06411**
1"x2 3/8"x5 7/8" (24x60x150)



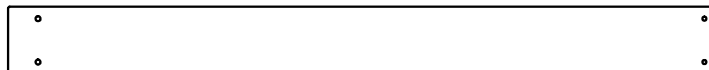
- (2) **J3 - SEAT SUPPORT - W4L06417**
1"x2 3/8"x8 3/8" (24x60x214)



- (1) **K1 - GROUND BOARD - W4L06389**
5/8"x5 1/4"x54 7/8" (16x134x1394)



- (1) **K2 - GROUND BOARD - W4L06390**
5/8"x5 1/4"x56 1/8" (16x134x1426)



- (1) **K3 - GROUND BOARD - W4L06649**
5/8"x5 1/4"x55 1/2" (16x134x1410)

Parts Identification

Wood Components

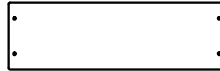
(NOT TO SCALE)



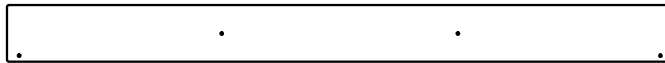
- (1) **K4 - GROUND BOARD - W4L06650**
5/8"x5 1/4"x73 7/8" (16x134x1876)



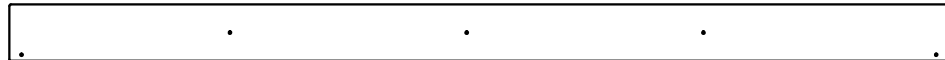
- (1) **K5 - GROUND BOARD - W4L06652**
5/8"x5 1/4"x55" (16x134x1397)



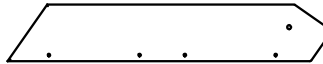
- (4) **K6 - STAIR BOARD - W4L21033**
5/8"x5 1/4"x16 7/8" (16x132x430)



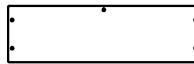
- (1) **L1 - FLOOR BOARD - W4L06400**
5/8"x4 3/8"x52" (16x112x1321)



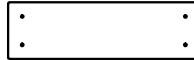
- (1) **L2 - FLOOR BOARD - W4L06658**
5/8"x4 3/8"x73 3/8" (16x112x1864)



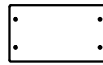
- (4) **L3 - GABLE BOARD - W4L06412**
5/8"x4 3/8"x25 3/8" (16x112x644)



- (4) **L4 - BOTTOM BOARD - W4L06420**
5/8"x4 3/8"x15" (16x112x380)



- (6) **L5 - LONG SIDE BOARD - W4L06421**
5/8"x4 3/8"x15" (16x112x380)



- (8) **L6 - SHORT SIDE BOARD - W4L06422**
5/8"x4 3/8"x7 1/2" (16x112x192)



- (2) **L7 - ARCHED SIDE BOARD - W4L06423**
5/8"x4 3/8"x15" (16x112x380)



- (2) **L8 - SEAT BOARD - W4L06418**
1"x4 3/8"x36 3/4" (24x112x934)

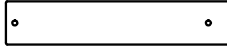


- (1) **M1 - GROWTH BOARD - W4L06690**
5/8"x3 3/8"x60 1/4" (16x86x1530)

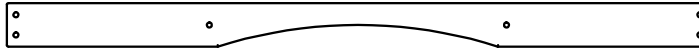
Parts Identification

Wood Components

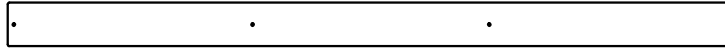
(NOT TO SCALE)



- (2) **M2 - WALL RAIL - W4L06393**
5/8"x3 3/8"x17 1/2" (16x86x445)



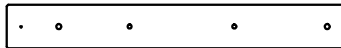
- (1) **M3 - WALL RAIL - W4L06394**
5/8"x3 3/8"x54 7/8" (16x86x1394)



- (9) **M4 - FLOOR BOARD - W4L06401**
5/8"x3 3/8"x56 3/4" (16x86x1442)



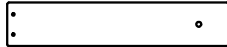
- (1) **M5 - FLOOR BOARD - W4L06402**
5/8"x3 3/8"x54 3/8" (16x86x1382)



- (2) **M6 - WALL BOARD - W4L06668**
5/8"x3 3/8"x26 3/4" (16x86x679)



- (2) **M7 - WALL RAIL - W4L06643**
5/8"x3 3/8"x38 1/4" (16x86x970)



- (2) **M8 - WALL RAIL - W4L06409**
5/8"x3 3/8"x17 1/4" (16x86x439)



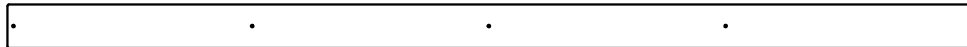
- (2) **M9 - WALL RAIL - W4L06647**
5/8"x3 3/8"x36 3/8" (16x86x924)



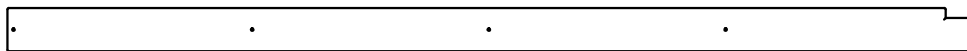
- (2) **M10 - COUNTER TOP - W4L06413**
5/8"x3 3/8"x23 5/8" (16x86x600)



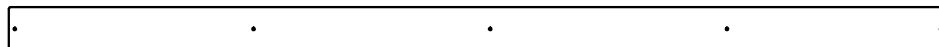
- (1) **M11 - FILLER BOARD - W4L21032**
5/8"x3 3/8"x5 1/2" (16x86x139)



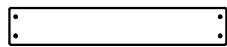
- (2) **M12 - FLOOR BOARD - W4L06659**
5/8"x3 3/8"x75 3/4" (16x86x1924)



- (1) **M13 - FLOOR BOARD - W4L06660**
5/8"x3 3/8"x75 3/4" (16x86x1924)



- (1) **M14 - FLOOR BOARD - W4L06661**
5/8"x3 3/8"x73 3/8" (16x86x1863)

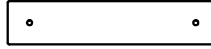


- (2) **M15 - STAIR BOARD - W4L21034**
5/8"x2 7/8"x16 15/16" (16x73x430)

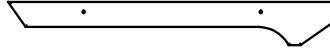
Parts Identification

Wood Components

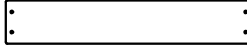
(NOT TO SCALE)



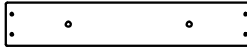
- (2) **M16 - WALL RAIL - W4L06653**
5/8"x3 3/8"x16 3/8" (16x86x416)



- (4) **M33 - FASCIA BOARD - W4L06559**
5/8"x3 3/8"x25 5/8" (16x86x652)



- (1) **M73 - REAR SUPPORT - W4L06608**
5/8"x3 3/8"x19 1/4" (16x86x488)



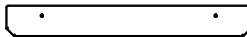
- (1) **M110 - ATTACHMENT BOARD - W4L06610**
5/8"x3 3/8"x19 1/4" (16x86x488)



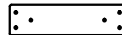
- (8) **N1 - TIE STRAP - W4L05043**
5/8"x2"x3 1/8" (16x50x80)



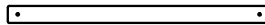
- (1) **N2 - REAR WINDOW SHELF - W4L06414**
5/8"x2 3/8"x18 7/8" (16x60x479)



- (1) **N3 - LEFT WINDOW SHELF - W4L06415**
5/8"x2 3/8"x19 1/8" (16x60x485)



- (1) **N4 - SEAT CLEAT - W4L06419**
5/8"x2 3/8"x9" (16x60x230)



- (28) **O1 - PICKET - W4L06665**
5/8"x1 3/8"x20 1/2" (16x34x520)



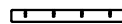
- (9) **O2 - PICKET - W4L06676**
5/8"x1 3/8"x29 1/2" (16x34x750)



- (1) **Q1 - COUNTER TOP SUPPORT - W4L06416**
1"x4 3/8"x5 7/8" (24x112x150)



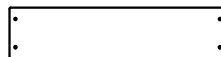
- (2) **S1 - RAIL BOARD - W4L06664**
1"x1"x26 3/4" (24x24x679)



- (8) **S2 - CORNER BOARD - W4L06424**
1"x1"x8 7/8" (24x24x224)



- (1) **W1 - HANDRAIL BLOCK - W4L06677**
2"x3 3/8"x3 3/8" (50x86x86)

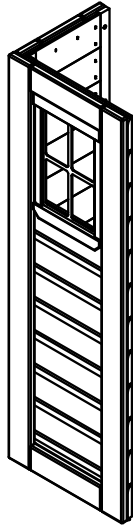


- (10) **Y1 - STAIR BOARD - W4L06669**
5/8"x4"x16 7/8" (16x102x430)

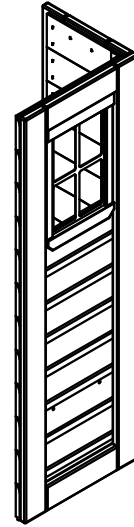
Parts Identification

Wood Components

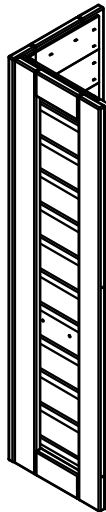
(NOT TO SCALE)



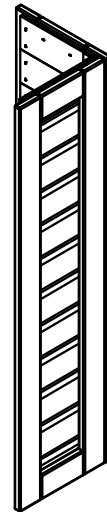
(1) WP1 - FRONT RIGHT CORNER PANEL - W2A01911



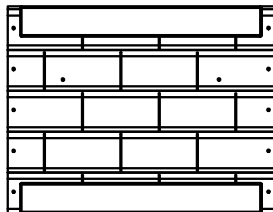
(1) WP2 - REAR RIGHT CORNER PANEL - W2A01914



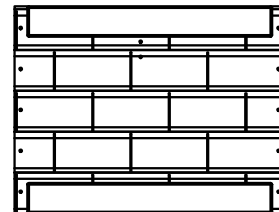
(1) WP3 - FRONT LEFT CORNER PANEL - W2A01917



(1) WP4 - REAR LEFT CORNER PANEL - W2A01920



(1) WP5 - REAR CENTER PANEL - W2A01922

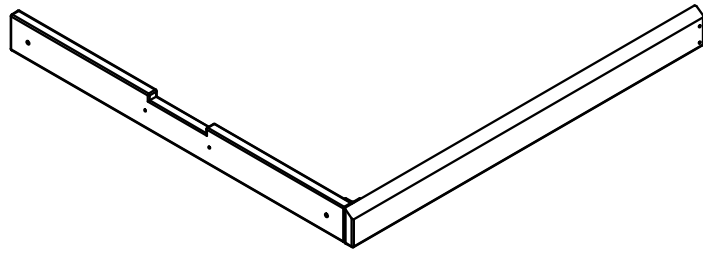


(1) WP6 - LEFT CENTER PANEL - W2A01924

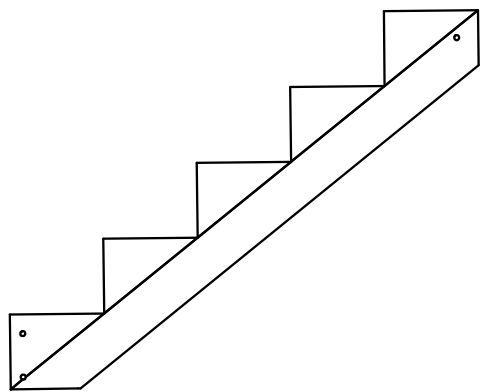
Parts Identification

Wood Components

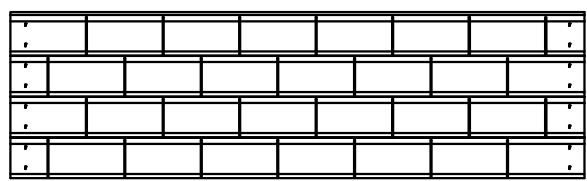
(NOT TO SCALE)



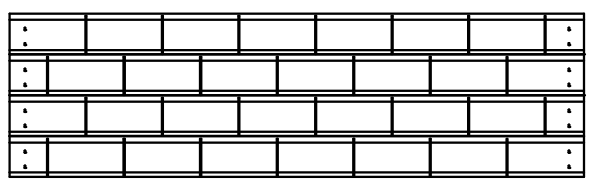
(2) WP8 - HEADER ASSEMBLY - W2A01926



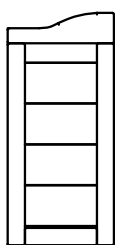
(2) SR1 - STAIR STRINGER ASSEMBLY - W2A04251



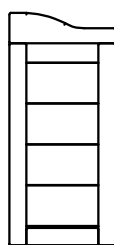
(2) RP1 - LOWER ROOF PANEL - W2A01929



(2) RP2 - UPPER ROOF PANEL - W2A01930



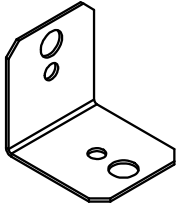
(1) DP2 - LEFT DOOR ASSEMBLY - W2A01928



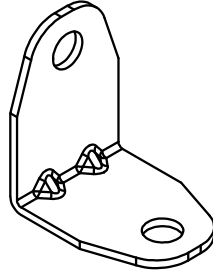
(1) DP1 - RIGHT DOOR ASSEMBLY - W2A01927

Parts Identification

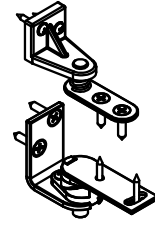
Accessories
(NOT TO SCALE)



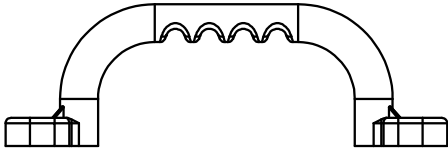
(12) - 90° L-BRACKET - BLK - A4M00555



(1) - L BRACKET BLK - A4M00615



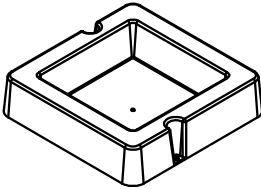
(2) - SALOON DOOR HINGE KIT - A4M00642



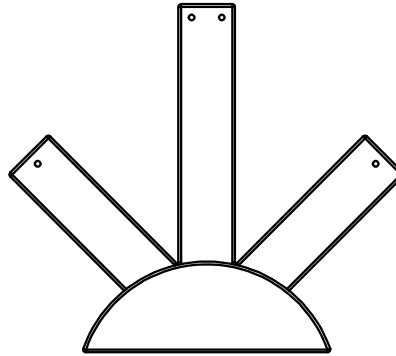
(2) - HAND GRIP YELLOW - A6P00303



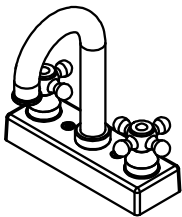
(1) - BYD ID TAG (MEDIUM) - A4M00528



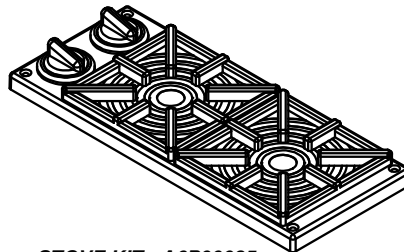
(1) - SURFACE MOUNT BASIN - A6P00032



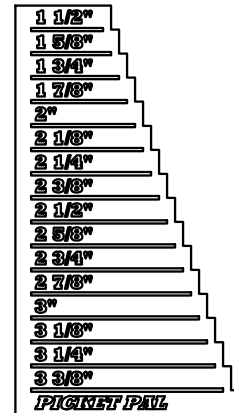
(2) - PLASTIC SUNBURST - A100361



(1) - FAUCET KIT - A6P00024



(1) - STOVE KIT - A6P00025



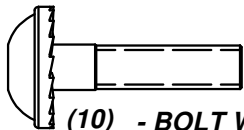
(1) - PICKET PAL - A6P00410



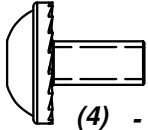
(4) - GROUND STAKE REBAR - A4M00527

Parts Identification

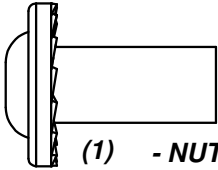
Hardware



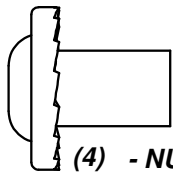
(10) - BOLT WH 1/4x1 BLK - H100171



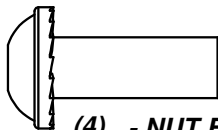
(4) - BOLT WH 1/4x1/2 BLK - H100401



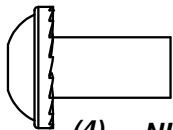
(1) - NUT BARREL WH 5/16x7/8 BLK - H100192



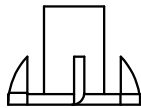
(4) - NUT BARREL WH 5/16x5/8 BLK - H100469



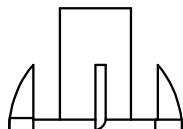
(4) - NUT BARREL WH 1/4x7/8 BLK - H100399



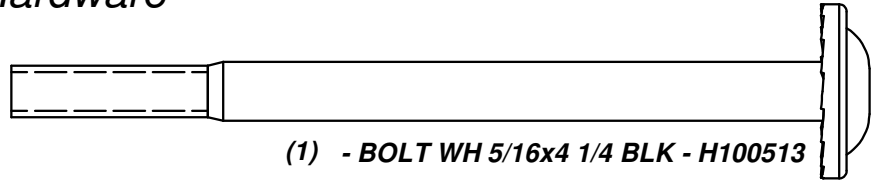
(4) - NUT BARREL WH 1/4x5/8 BLK - H100404



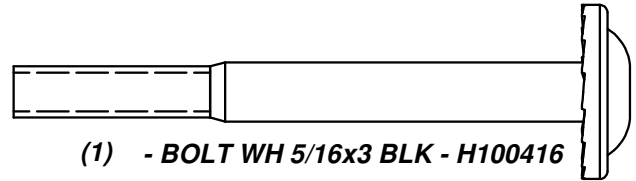
(4) - T-NUT 1/4 BLK - H100398



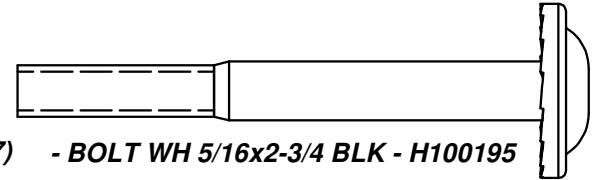
(50) - T-NUT 5/16 BLK - H100379



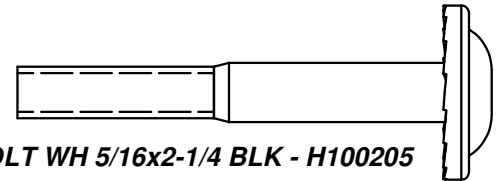
(1) - BOLT WH 5/16x4 1/4 BLK - H100513



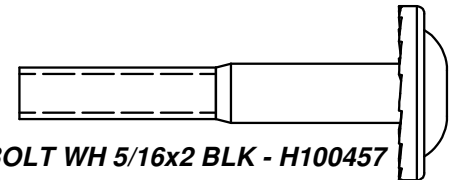
(1) - BOLT WH 5/16x3 BLK - H100416



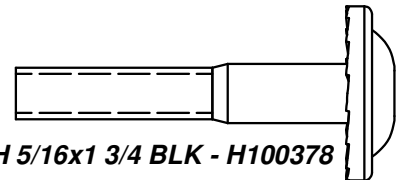
(7) - BOLT WH 5/16x2-3/4 BLK - H100195



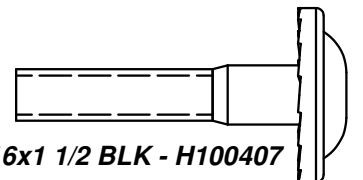
(9) - BOLT WH 5/16x2-1/4 BLK - H100205



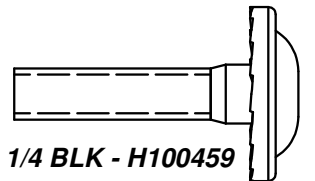
(19) - BOLT WH 5/16x2 BLK - H100457



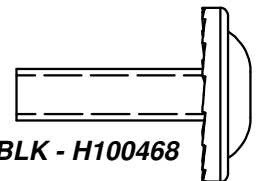
(7) - BOLT WH 5/16x1 3/4 BLK - H100378



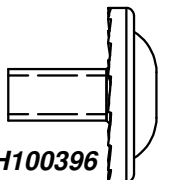
(2) - BOLT WH 5/16x1 1/2 BLK - H100407



(4) - BOLT WH 5/16x1 1/4 BLK - H100459



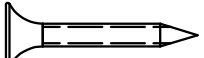
(1) - BOLT WH 5/16x1 BLK - H100468



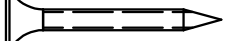
(6) - BOLT WH 5/16x1/2 BLK - H100396

Parts Identification

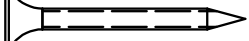
Hardware



(23) - SCREW PFH 8x1 - H100085



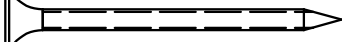
(166) - SCREW PFH 8x1-1/8" - H100088



(148) - SCREW PFH 8x1-1/4" - H100087



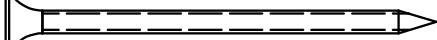
(104) - SCREW PFH 8x1-1/2" - H100086



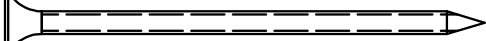
(12) - SCREW PFH 8x1-3/4" - H100089



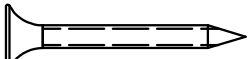
(23) - SCREW PFH 8x2 - H100111



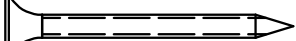
(7) - SCREW PFH 8x2 1/4 - H100091



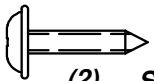
(18) - SCREW PFH 8x2 1/2 - H100090



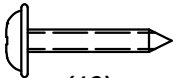
(10) - SCREW PFH 8x1-1/4 BLK - H100387



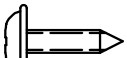
(4) - SCREW PFH 8x1-1/2 BLK - H100200



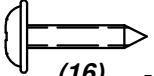
(2) - SCREW PWH 8x5/8 - H100128



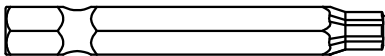
(10) - SCREW PWH 8x3/4 - H100070



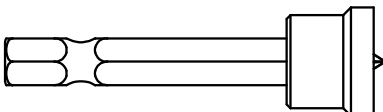
(10) - SCREW PWH 8x1/2 BLK - H100408



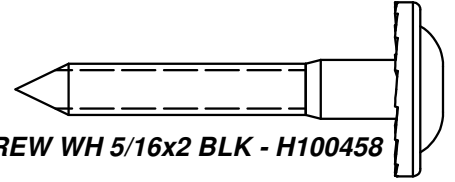
(16) - SCREW PWH 8x5/8 BLK - H100202



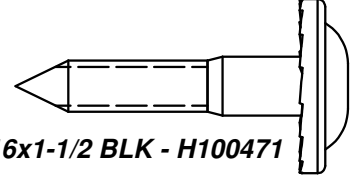
(1) - T-30 TORX BIT - H100147



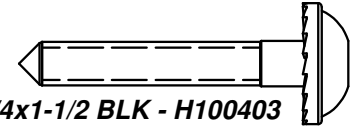
(1) - SCREW SETTER - H100764



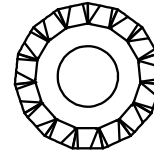
(18) - LAG SCREW WH 5/16x2 BLK - H100458



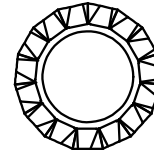
(16) - LAG SCREW WH 5/16x1-1/2 BLK - H100471



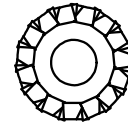
(7) - LAG SCREW WH 1/4x1-1/2 BLK - H100403



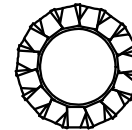
(81) - WASHER LOCK EXT 8x19 BLK - H100198



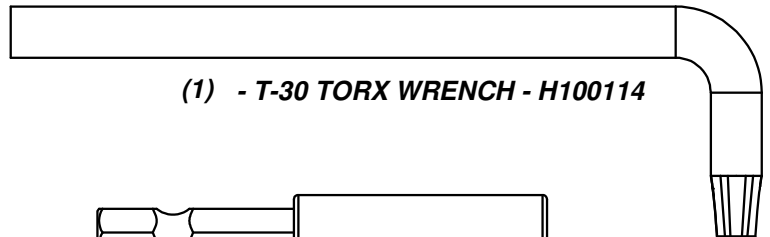
(6) - WASHER LOCK EXT 12x19 BLK - H100199



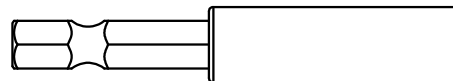
(16) - WASHER LOCK EXT 6x15 BLK - H100405



(10) - WASHER LOCK EXT 8x15 BLK - H100400



(1) - T-30 TORX WRENCH - H100114



(1) - MAGNETIC DRIVER - H101100

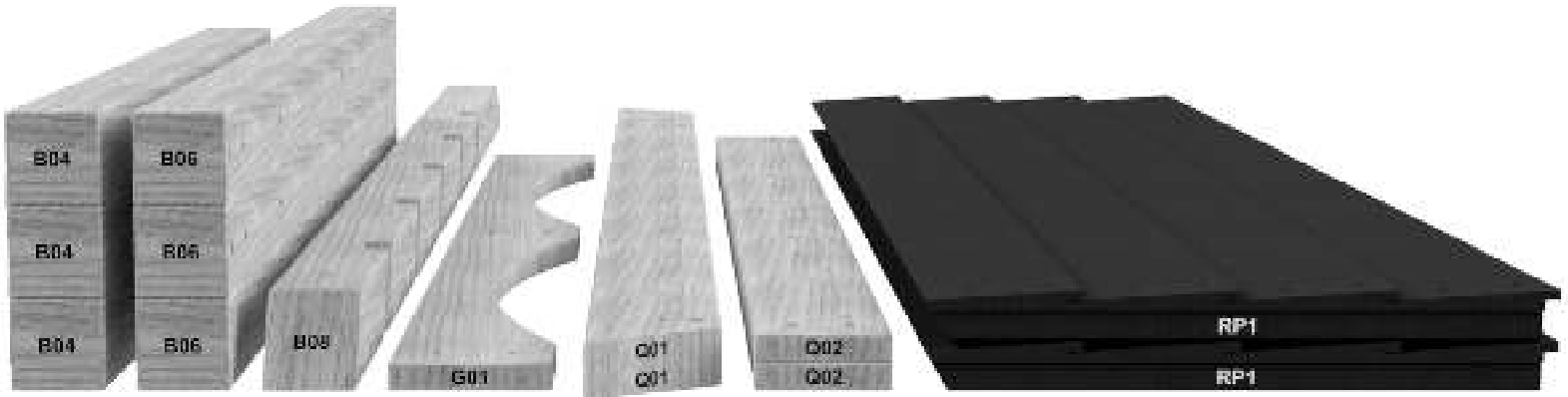
PRE-ASSEMBLY - SORTING PARTS

It is critical for ease of assembly that you take the time to sort and organize the wood and hardware.

WOOD PARTS:

- Organize wood parts by the three-digit, alpha-numeric number stamped on each board (ex. P01).
- If there are multiple boards with the same stamped number, stack those pieces together.
- Stamps can be found on the flat surface of the boards or on the end of the boards.
- Allow yourself plenty of room - the wood pieces can take up a significant amount of space.

NOTE: CARTONS ARE NOT ORGANIZED BY BOARD NUMBER.



HARDWARE PARTS:

- We recommend that you have a separate table to organize the hardware.
- Hardware bags are printed with a seven-digit, alpha-numeric part number.
- You can organize your hardware by part number or group by hardware type (i.e. bolts, nuts, etc.).
- During assembly you only need to reference the last four digits of the number.



(8) - BOLT WH 5/16x2-1/4 BLK - H100205

PRE-ASSEMBLY - TOOLS REQUIRED



*Cordless Drill or
Electric Drill*



*Drill Attachments:
Phillips Head*



*1/8", 3/16", 3/8" & 7/16"
Drill Bits*



Phillips Screw Driver



Open End Wrenches 1/2" & 9/16"



*3/8" Drive Ratchet, 1/2" &
9/16" STD Sockets 1/2" & 9/16"
Deep Sockets*



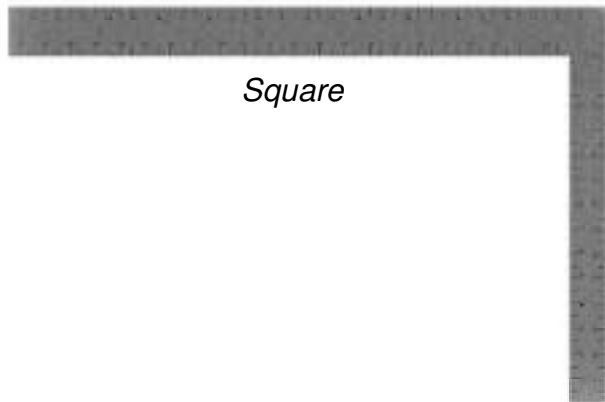
Claw Hammer



Rubber Mallet - Optional



Tape Measure



Square

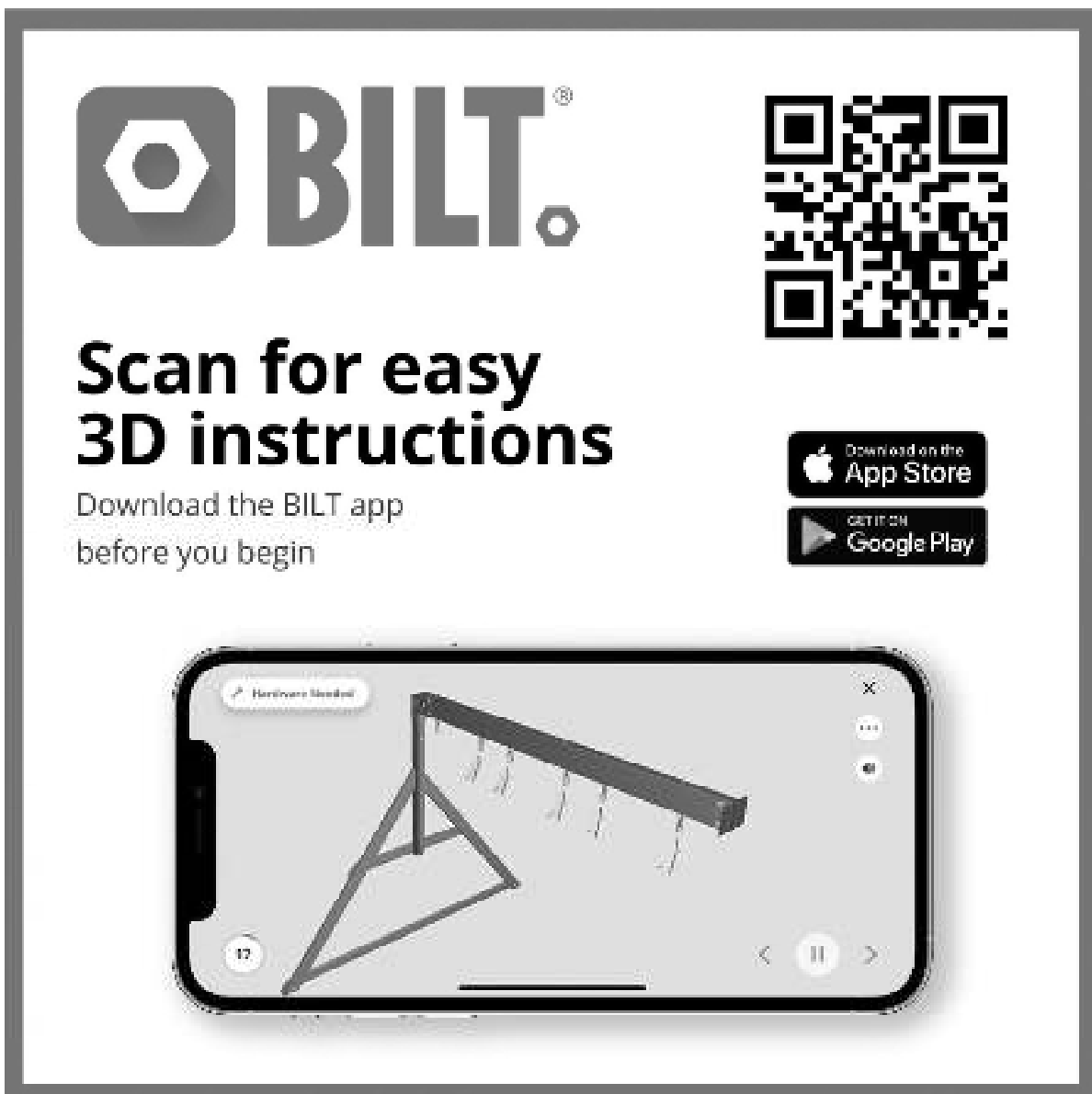


Level 24"

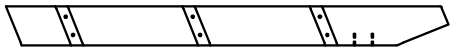
PRE-ASSEMBLY - CHOOSE YOUR ASSEMBLY METHOD

There are several types of assembly instructions available to you.

1. *Printed Assembly Manual included with your set*
2. *BILT APP - 3D interactive instructions*
3. *Combination of the Printed Manual and BILT APP (Note: Step numbers can differ between the two methods)*



The graphic features the BILT logo on the left, a QR code on the right, and the text "Scan for easy 3D instructions" in the center. Below this text are two buttons: "Download on the App Store" and "GET IT ON Google Play". At the bottom, a smartphone screen displays a 3D assembly instruction for a step labeled "17", showing a metal frame with a horizontal bar and several hanging components. The screen also includes a "Hardware Needed" label and navigation icons.



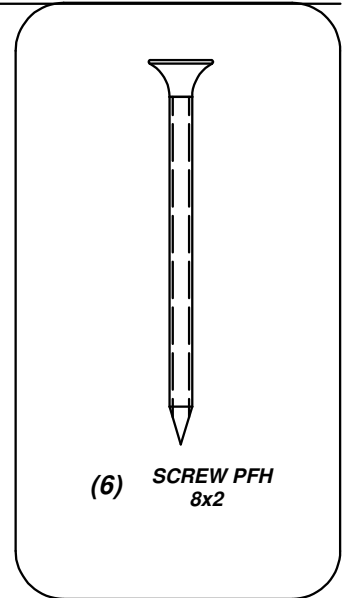
(1) H79 - LEFT UPRIGHT - W4L06611
1"x3 3/8"x38 3/8" (24x86x976)



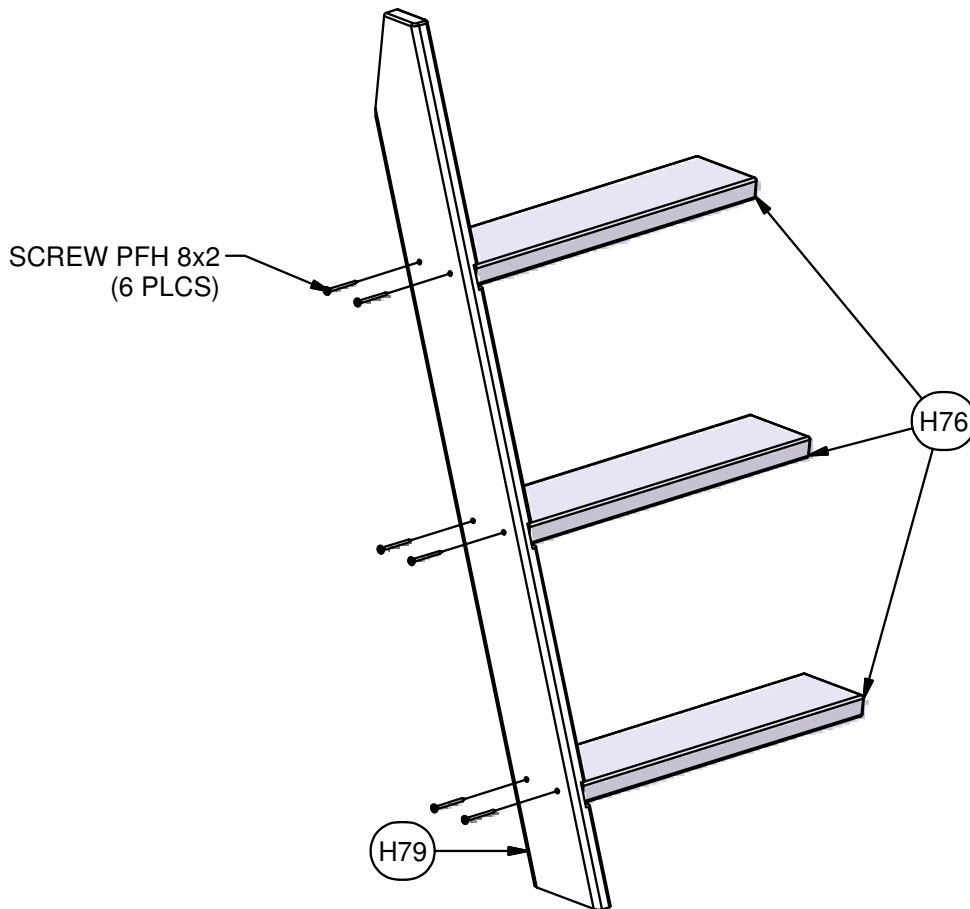
(3) H76 - LADDER RUNG - W4L06609
1"x3 3/8"x18 1/8" (24x86x460)

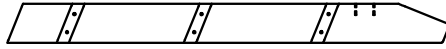
3 FOOT LADDER ASSEMBLY STEP 1

USING UPRIGHT AS A TEMPLATE
PREDRILL EACH HOLE INTO LADDER
RUNG WITH 1/8" [3mm] DRILL BIT.
RECOMMENDED TO PREDRILL FOR
SCREWS IN FUTURE STEPS AS NEEDED
IF PILOT HOLES ARE NOT AVAILABLE.



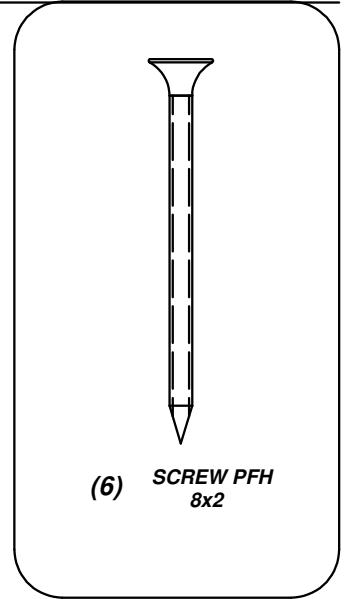
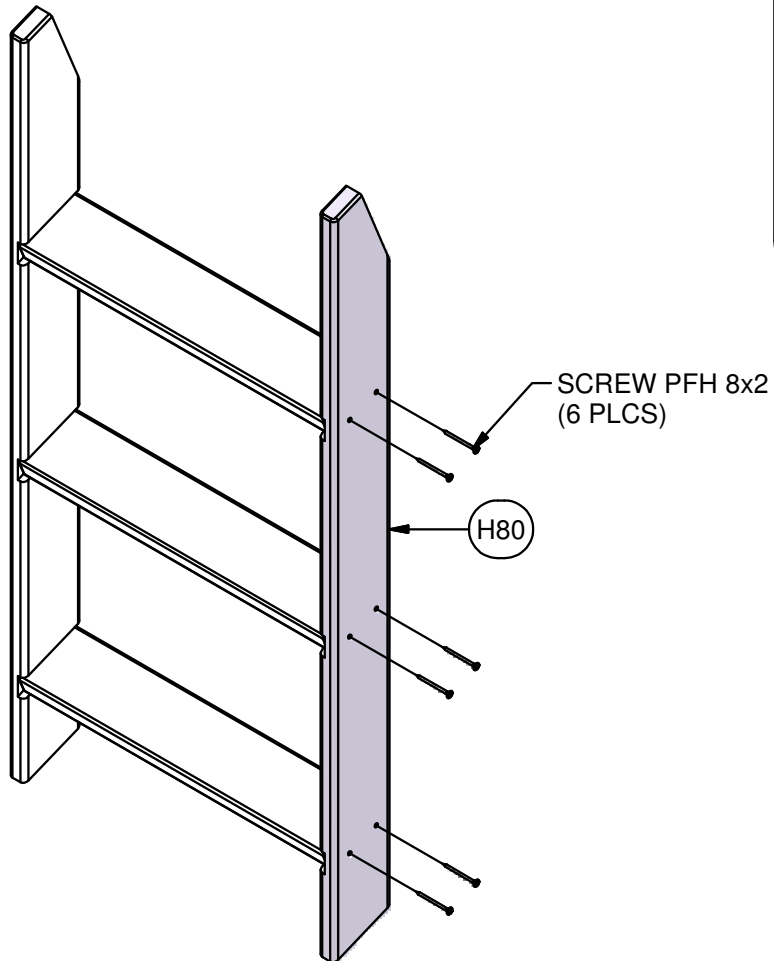
(6) SCREW PFH
8x2

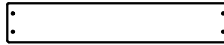




(1) H80 - RIGHT UPRIGHT - W4L06612
1"x3 3/8"x38 3/8" (24x86x976)

**3 FOOT LADDER ASSEMBLY
STEP 2**

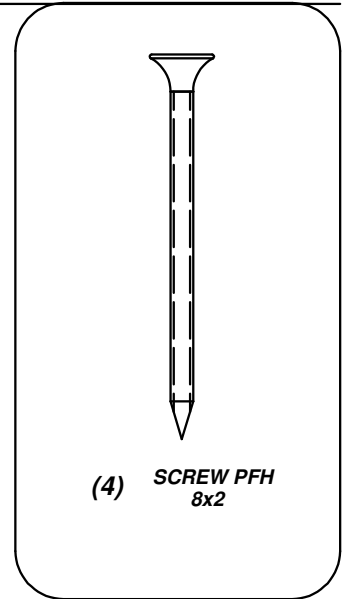
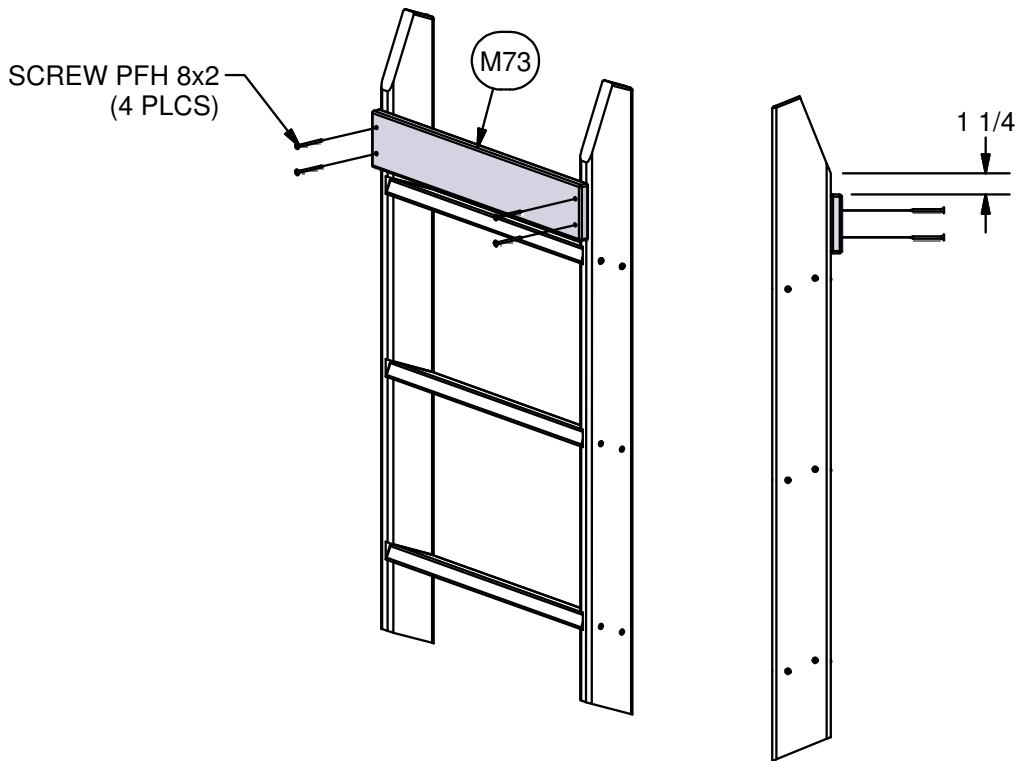


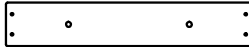


- (1) **M73 - REAR SUPPORT - W4L06608**
5/8"x3 3/8"x19 1/4" (16x86x488)

3 FOOT LADDER ASSEMBLY STEP 3

ALIGN PILOT HOLES

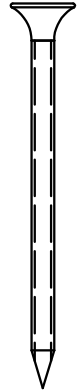
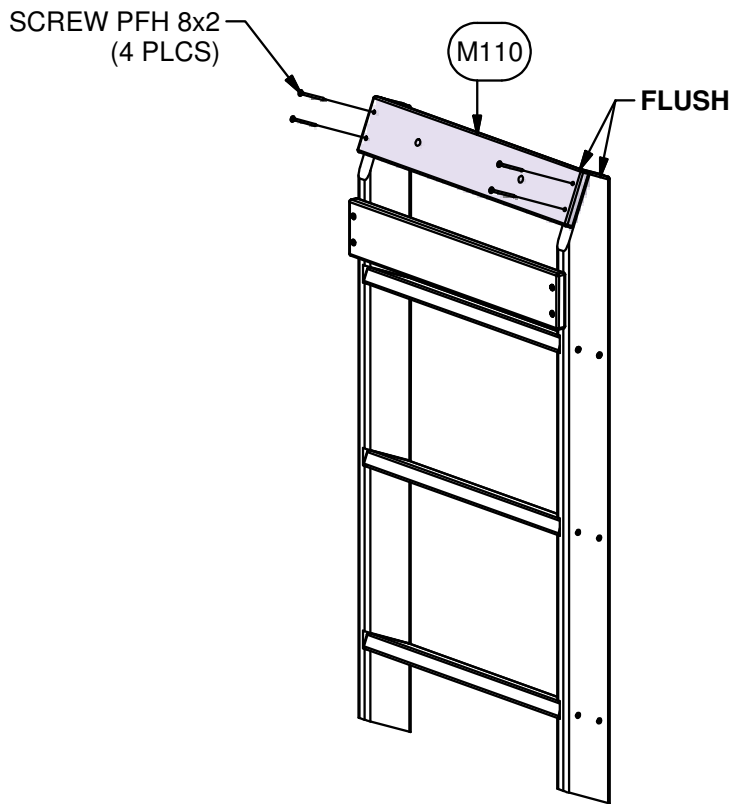




- (1) **M110 - ATTACHMENT BOARD - W4L06610**
5/8"x3 3/8"x19 1/4" (16x86x488)

3 FOOT LADDER ASSEMBLY STEP 4

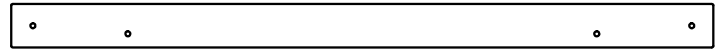
PREDRILL USING 1/8" [3mm] DRILL BIT



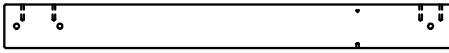
- (4) **SCREW PFH**
8x2



(1) **E01 - LEFT FRONT UPRIGHT - W2A04250**
1 3/8"x3 3/8"x62 3/8" (36x86x1584)



(1) **H2 - FLOOR RAIL - W4L06392**
1"x3 3/8"x54 7/8" (24x86x1394)



(1) **E4 - LEFT REAR UPRIGHT - W4L06388**
1 3/8"x3 3/8"x35" (36x86x889)

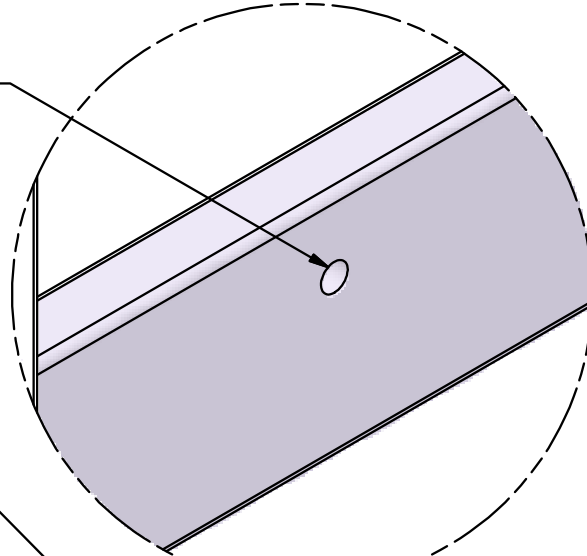


(1) **K2 - GROUND BOARD - W4L06390**
5/8"x5 1/4"x56 1/8" (16x134x1426)

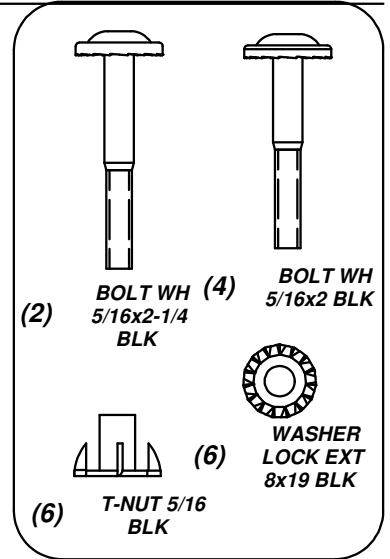
STEP 1

NOTE: WE RECOMMEND THAT YOU INSTALL ALL "T-NUTS" FIRST, WHEN A "T-NUT" IS REQUIRED, THROUGHOUT THE ASSEMBLY PROCESS.

NOTE HOLE LOCATION FOR PROPER INSTALLATION.



NOTE HOLE LOCATION FOR PROPER INSTALLATION.



(2) **BOLT WH 5/16x2-1/4 BLK**

BOLT WH 5/16x2 BLK

(6) **T-NUT 5/16 BLK**

WASHER LOCK EXT 8x19 BLK

NOTE HOLE LOCATION FOR PROPER INSTALLATION.

BOLT WH 5/16x2-1/4 BLK (2 PLCS)

WASHER LOCK EXT 8x19 BLK (2 PLCS)

NOTE HOLE LOCATION FOR PROPER INSTALLATION.

BOLT WH 5/16x2 BLK (4 PLCS)

WASHER LOCK EXT 8x19 BLK (4 PLCS)

E01

E4

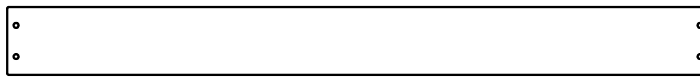
H2

K2

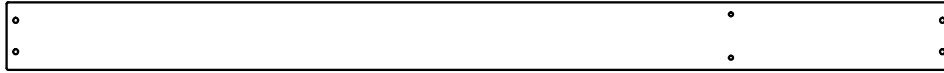
T-NUT 5/16 BLK (2 PLCS)

NOTE HOLE LOCATION FOR PROPER INSTALLATION.

T-NUT 5/16 BLK (4 PLCS)

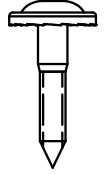
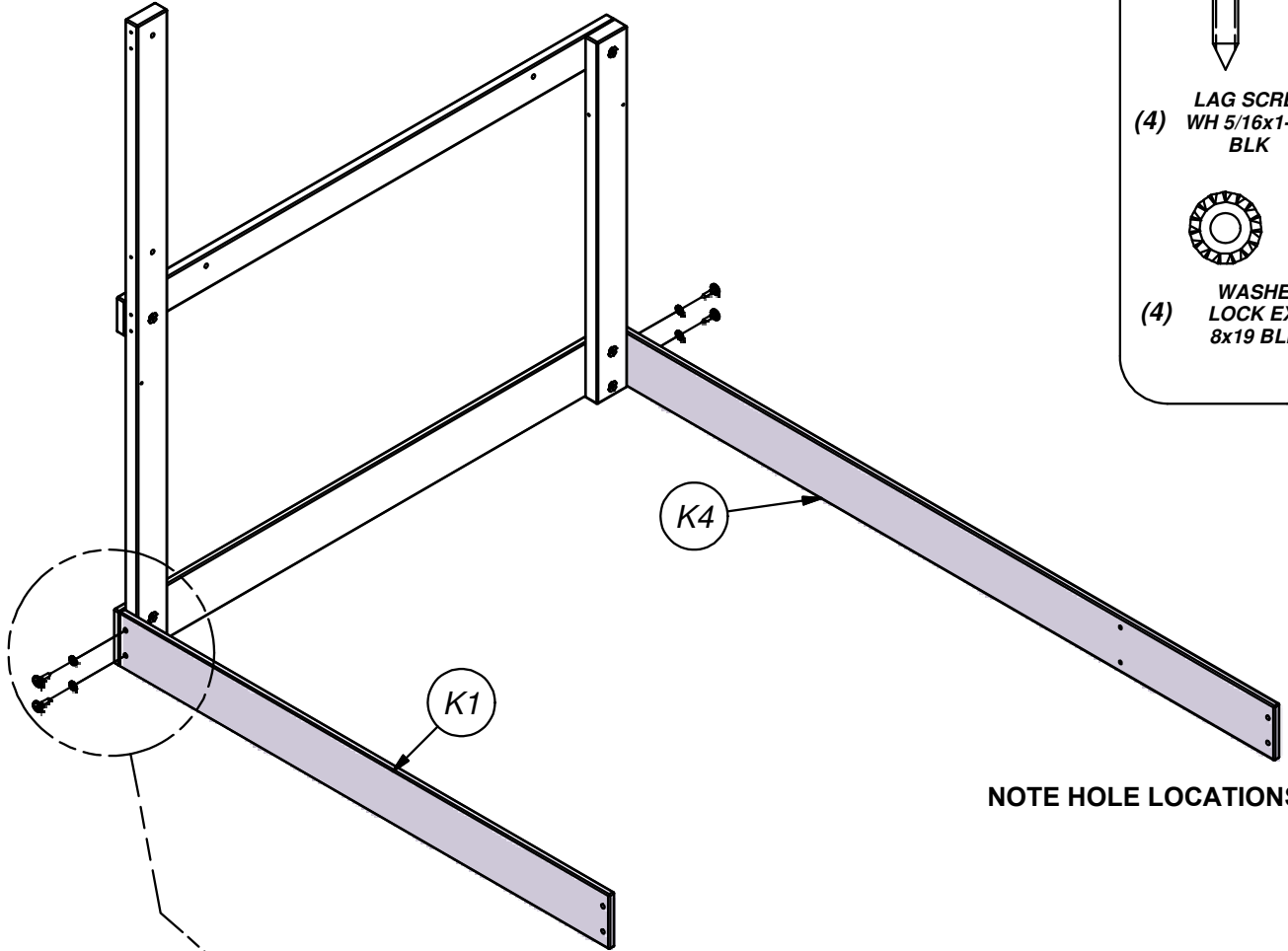


(1) **K1 - GROUND BOARD - W4L06389**
5/8"x5 1/4"x54 7/8" (16x134x1394)



(1) **K4 - GROUND BOARD - W4L06650**
5/8"x5 1/4"x73 7/8" (16x134x1876)

STEP 2

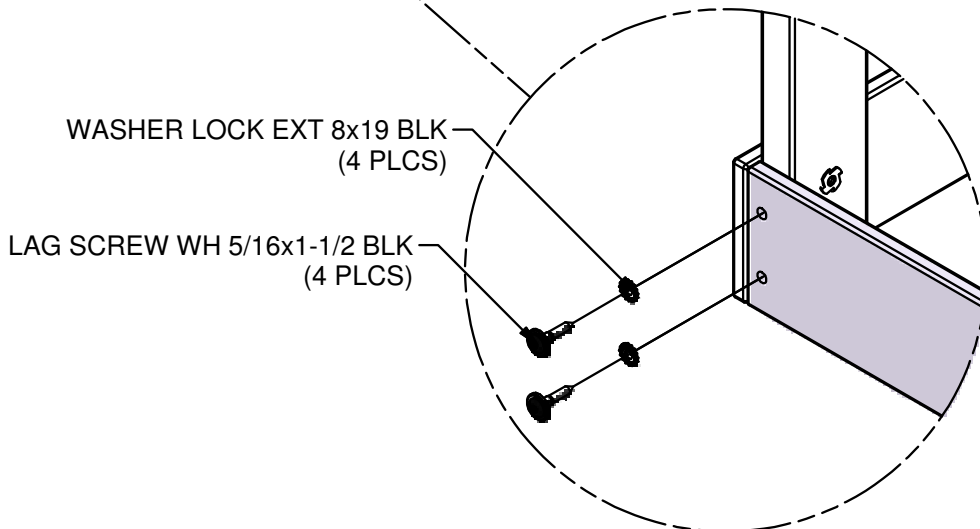


(4) LAG SCREW
WH 5/16x1-1/2
BLK



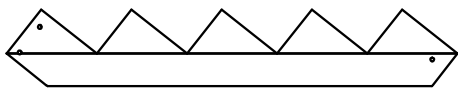
(4) WASHER
LOCK EXT
8x19 BLK

NOTE HOLE LOCATIONS

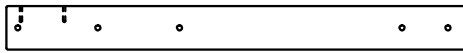


WASHER LOCK EXT 8x19 BLK
(4 PLCS)

LAG SCREW WH 5/16x1-1/2 BLK
(4 PLCS)



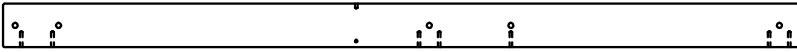
(1) SR1 - STAIR STRINGER ASSEMBLY - W2A04251



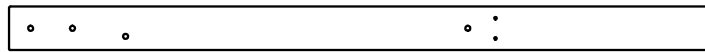
(1) E5 - RIGHT CENTER UPRIGHT - W4L21030
1 3/8"x3 3/8"x36 1/4" (36x86x920)



(1) M11 - FILLER BOARD - W4L21032
5/8"x3 3/8"x5 1/2" (16x86x139)



(1) E2 - RIGHT FRONT UPRIGHT - W4L06666
1 3/8"x3 3/8"x62 3/8" (36x86x1584)

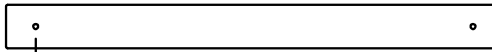


(1) H4 - FLOOR RAIL - W4L06645
1"x3 3/8"x54 7/8" (24x86x1394)



(1) K3 - GROUND BOARD - W4L06649
5/8"x5 1/4"x55 1/2" (16x134x1410)

2 3/8" [59mm]



(1) M7 - WALL RAIL - W4L06643
5/8"x3 3/8"x38 1/4" (16x86x970)

2 3/8" [59mm]

STEP 3

NOTE HOLE LOCATION FOR PROPER INSTALLATION.

T-NUT 5/16 BLK (2 PLCS)

2 3/8" [59mm]

M7

E5

H4

NOTE HOLE LOCATION FOR PROPER INSTALLATION.

T-NUT 5/16 BLK (2 PLCS)

T-NUT 5/16 BLK (1 PLC)

T-NUT 5/16 BLK (1 PLC)

NOTE HOLE LOCATION FOR PROPER INSTALLATION.

SR1

K3

SCREW PFH 8x1-3/4" (1 PLC)

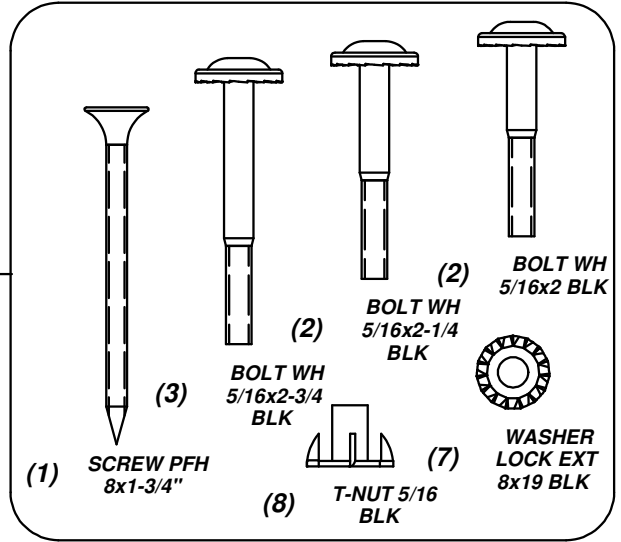
E2

WASHER LOCK EXT 8x19 BLK (2 PLCS)

BOLT WH 5/16x2-3/4 BLK (2 PLCS)

T-NUT 5/16 BLK (2 PLCS)

M11



BOLT WH 5/16x2 BLK (2 PLCS)

WASHER LOCK EXT 8x19 BLK (2 PLCS)

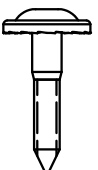
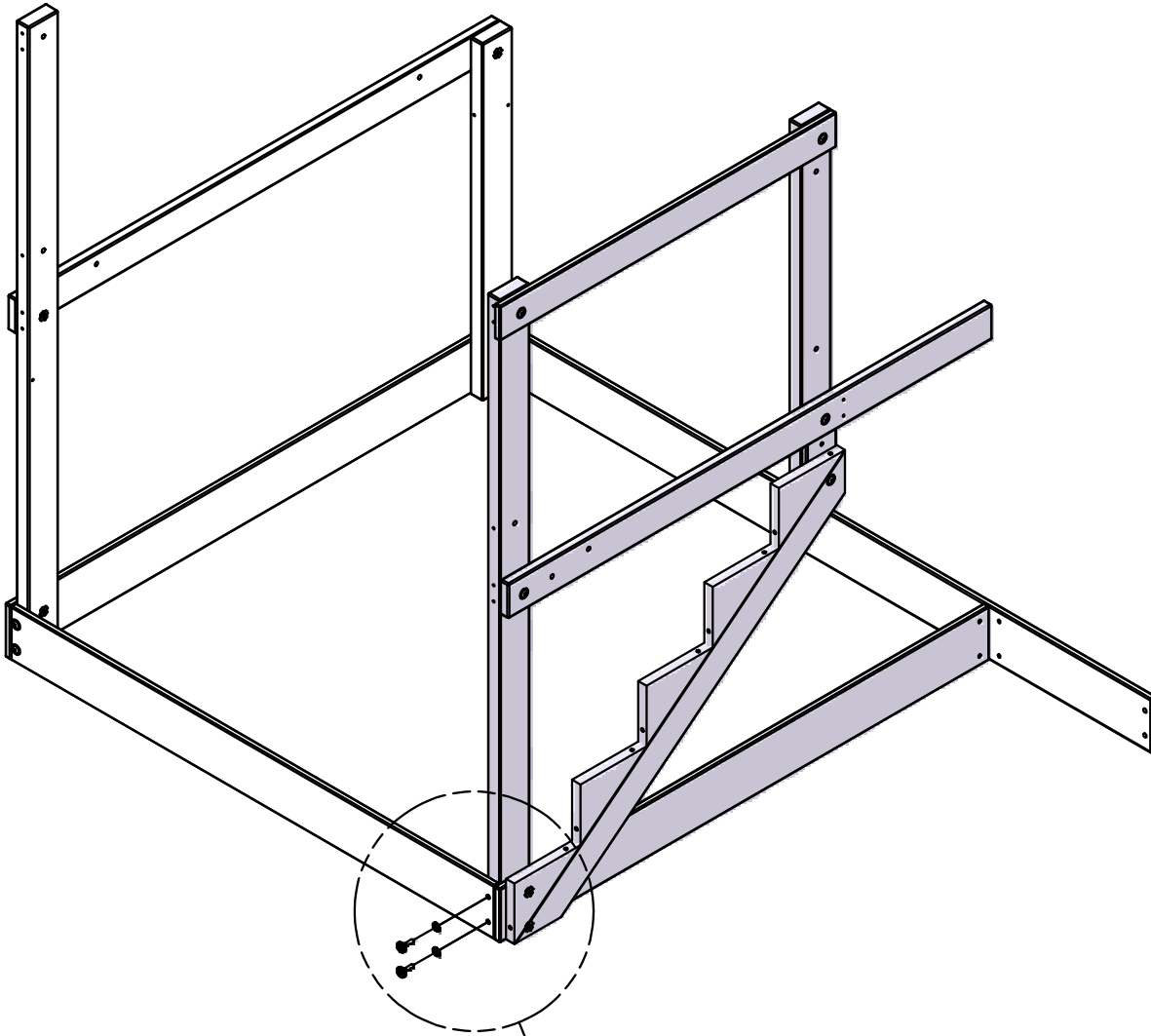
WASHER LOCK EXT 8x19 BLK (2 PLCS)

BOLT WH 5/16x2-1/4 BLK (2 PLCS)

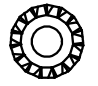
WASHER LOCK EXT 8x19 BLK (1 PLC)

BOLT WH 5/16x2-3/4 BLK (1 PLC)

STEP 4



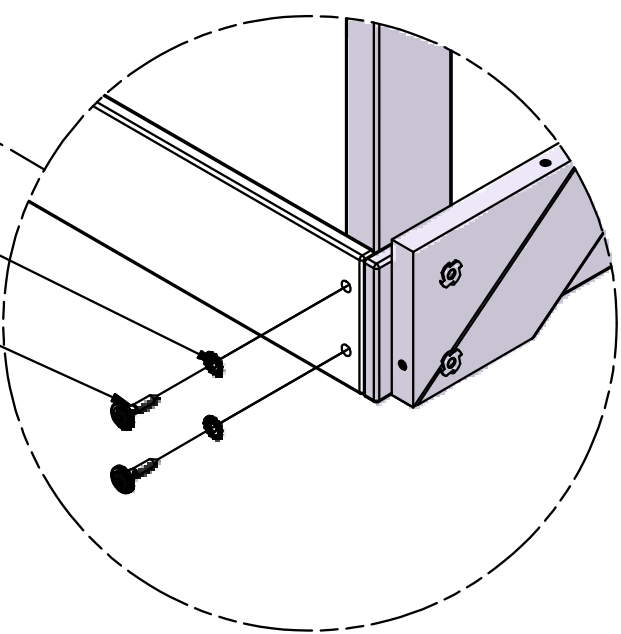
LAG SCREW
(2) WH 5/16x1-1/2
BLK

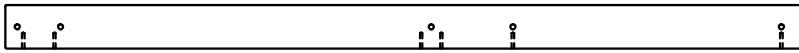


WASHER
LOCK EXT
(2) 8x19 BLK

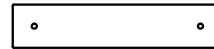
WASHER LOCK EXT 8x19 BLK
(2 PLCS)

LAG SCREW WH 5/16x1-1/2 BLK
(2 PLCS)

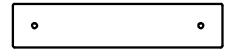




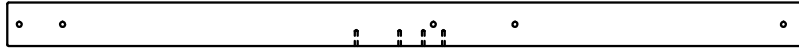
(1) **E3 - RIGHT REAR UPRIGHT - W4L06648**
1 3/8"x3 3/8"x62 3/8" (36x86x1584)



(1) **H6 - FLOOR RAIL - W4L06654**
1"x3 3/8"x16 3/8" (24x86x416)



(1) **M16 - WALL RAIL - W4L06653**
5/8"x3 3/8"x16 3/8" (16x86x416)

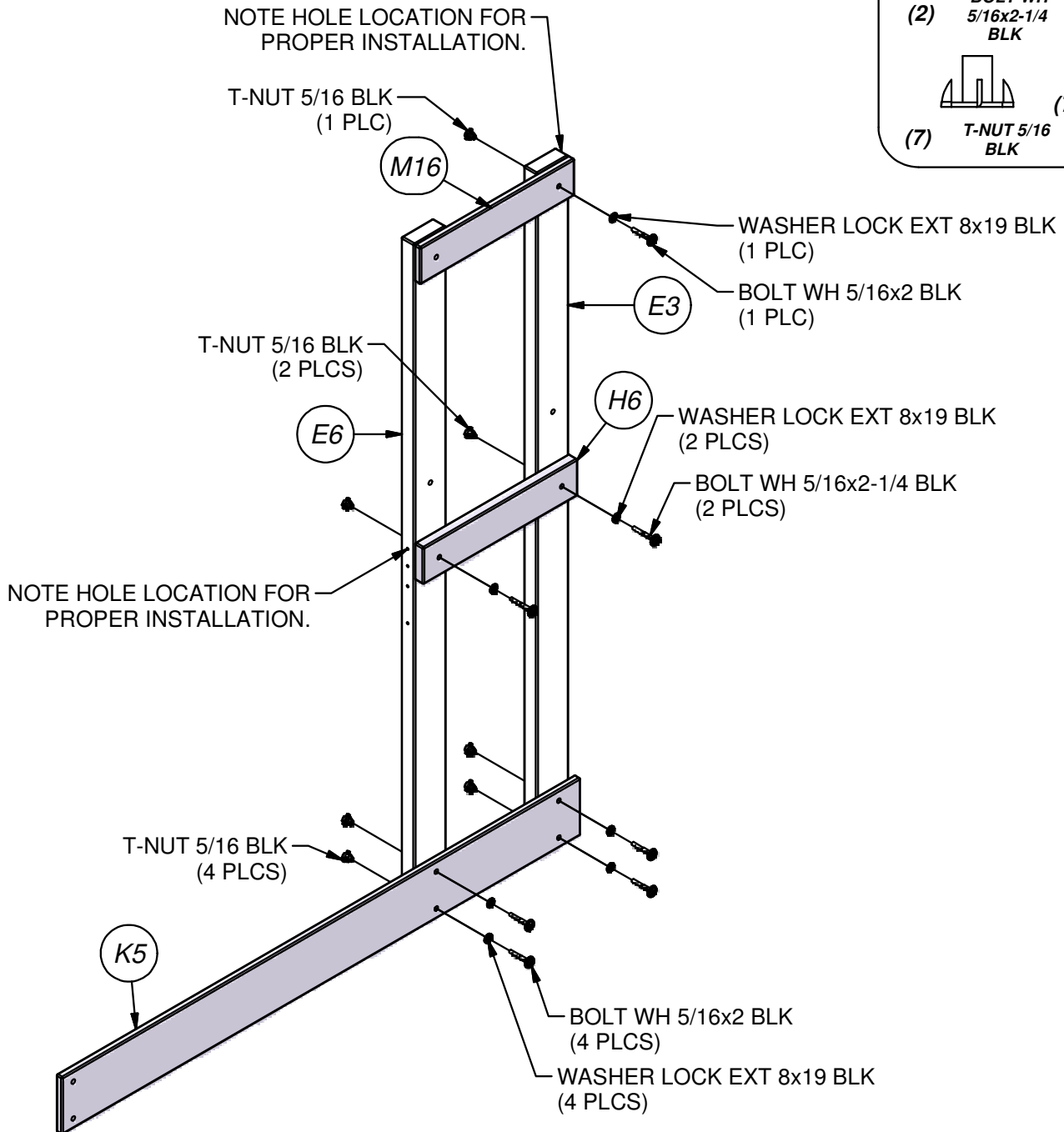
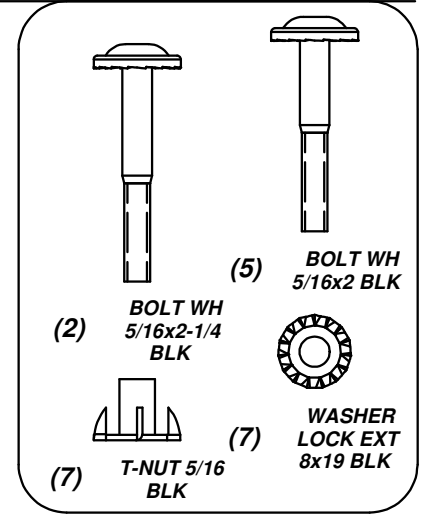


(1) **E6 - RIGHT REAR UPRIGHT - W4L06651**
1 3/8"x3 3/8"x62 3/8" (36x86x1584)

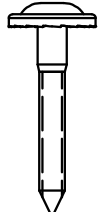
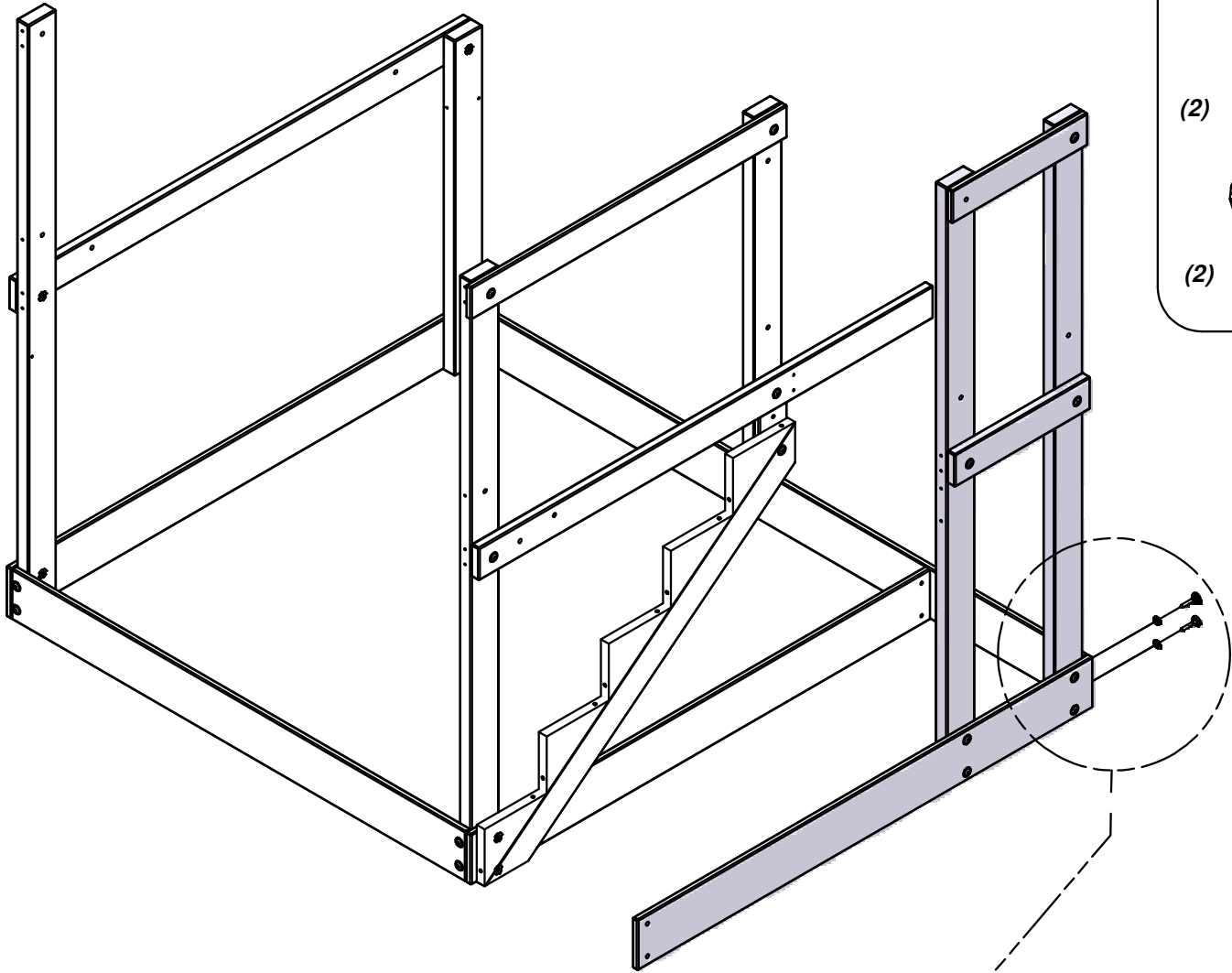


(1) **K5 - GROUND BOARD - W4L06652**
5/8"x5 1/4"x55" (16x134x1397)

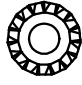
STEP 5



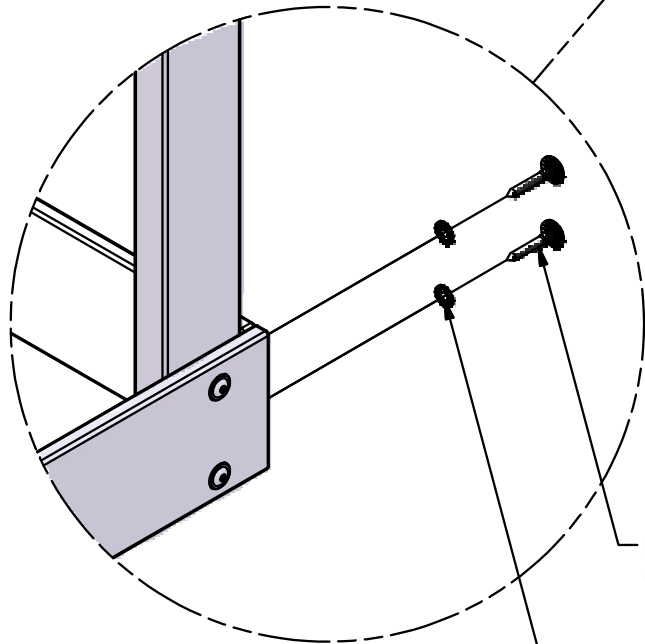
STEP 6



(2) LAG SCREW
WH 5/16x2
BLK

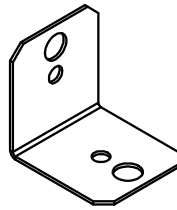


(2) WASHER
LOCK EXT
8x19 BLK



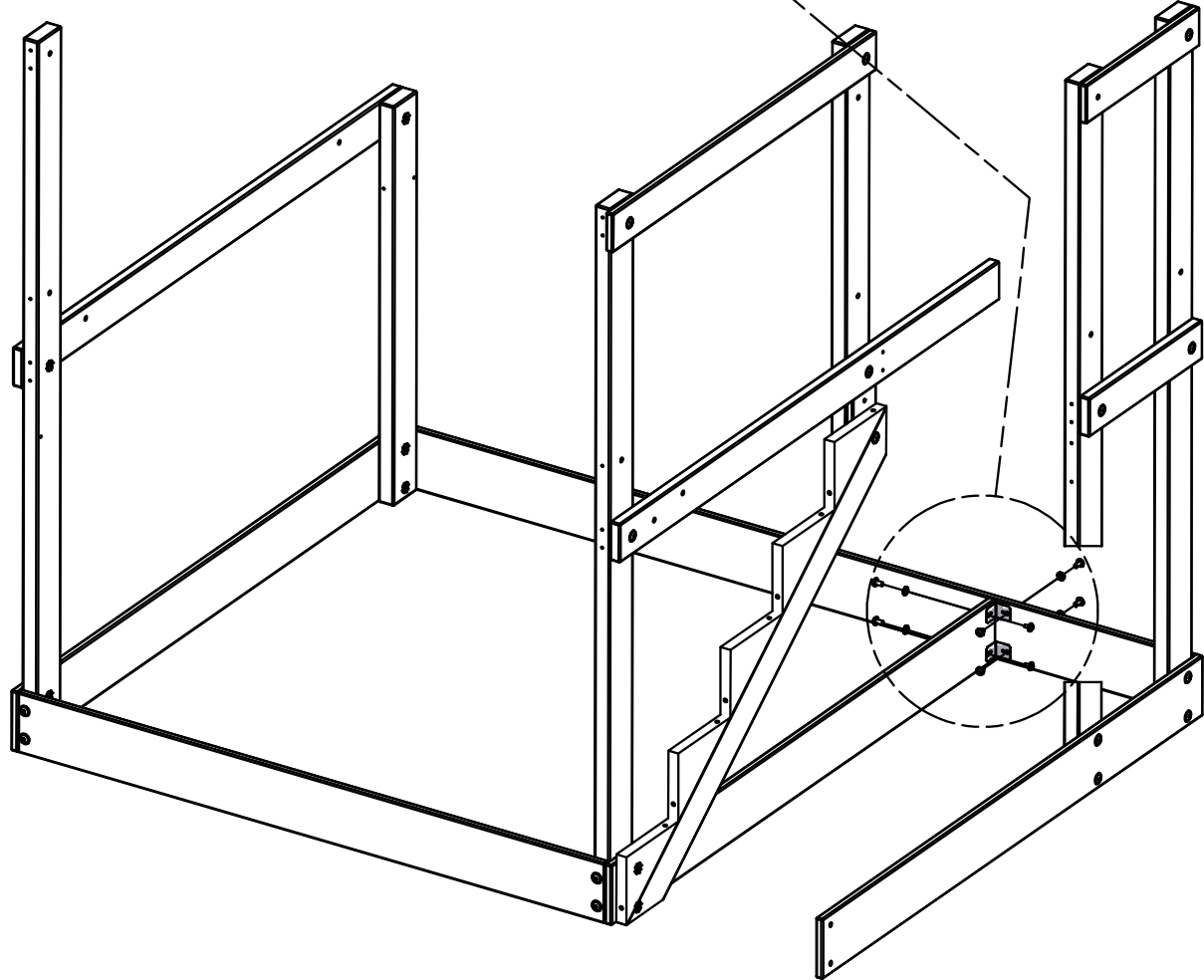
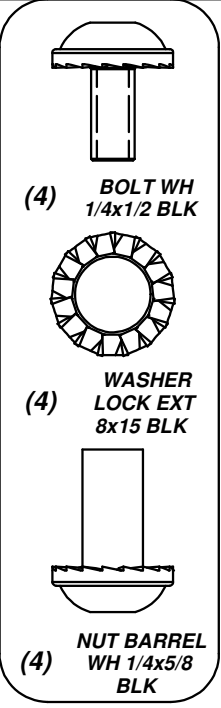
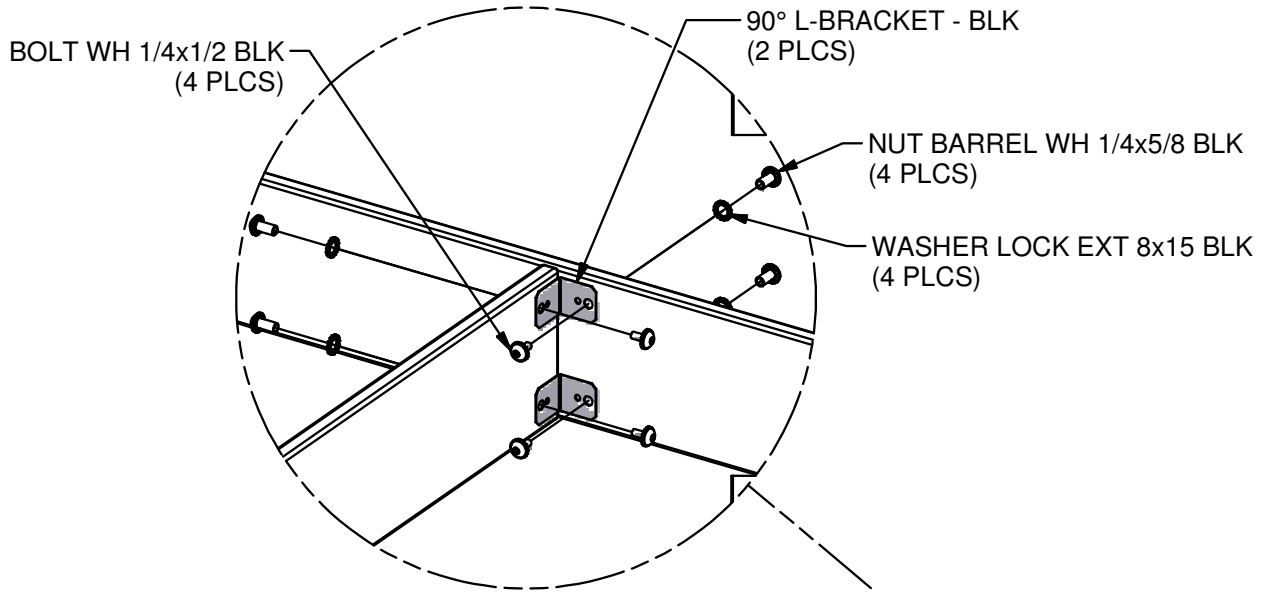
LAG SCREW WH 5/16x2 BLK
(2 PLCS)

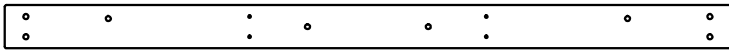
WASHER LOCK EXT 8x19 BLK
(2 PLCS)



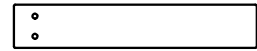
(2) - 90° L-BRACKET - BLK - A4M00555

STEP 7



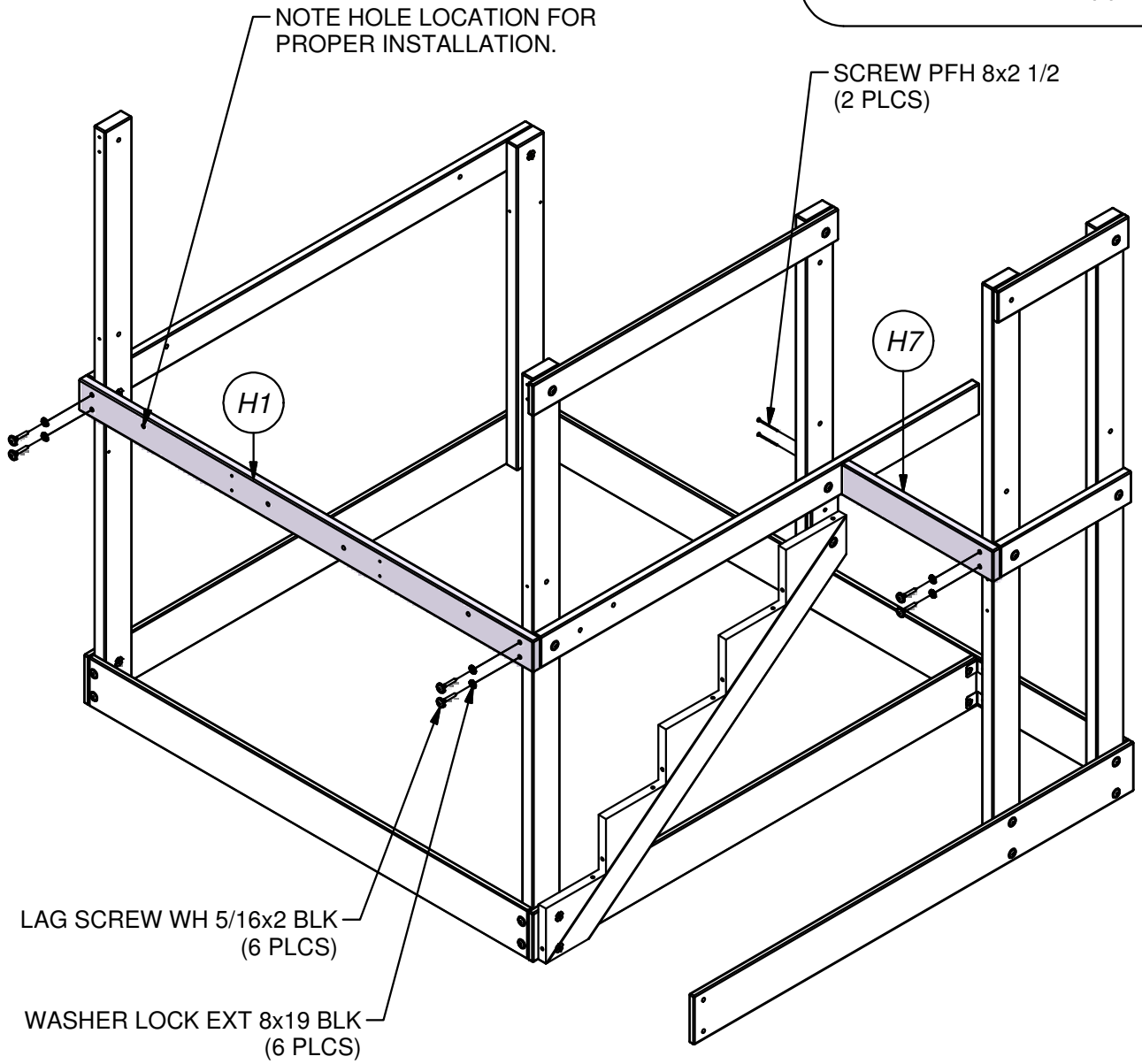
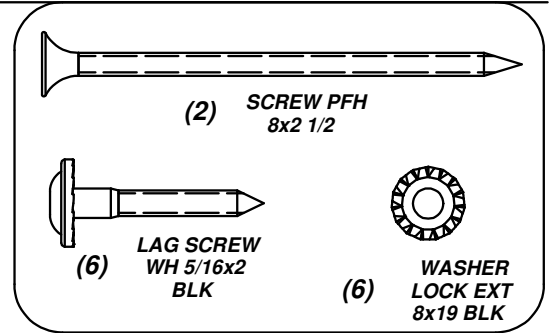


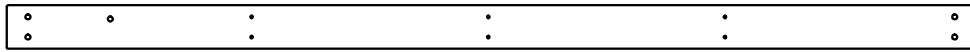
(1) **H1 - FLOOR RAIL - W4L06391**
1"x3 3/8"x56 3/4" (24x86x1442)



(1) **H7 - FLOOR RAIL - W4L06655**
1"x3 3/8"x19" (24x86x482)

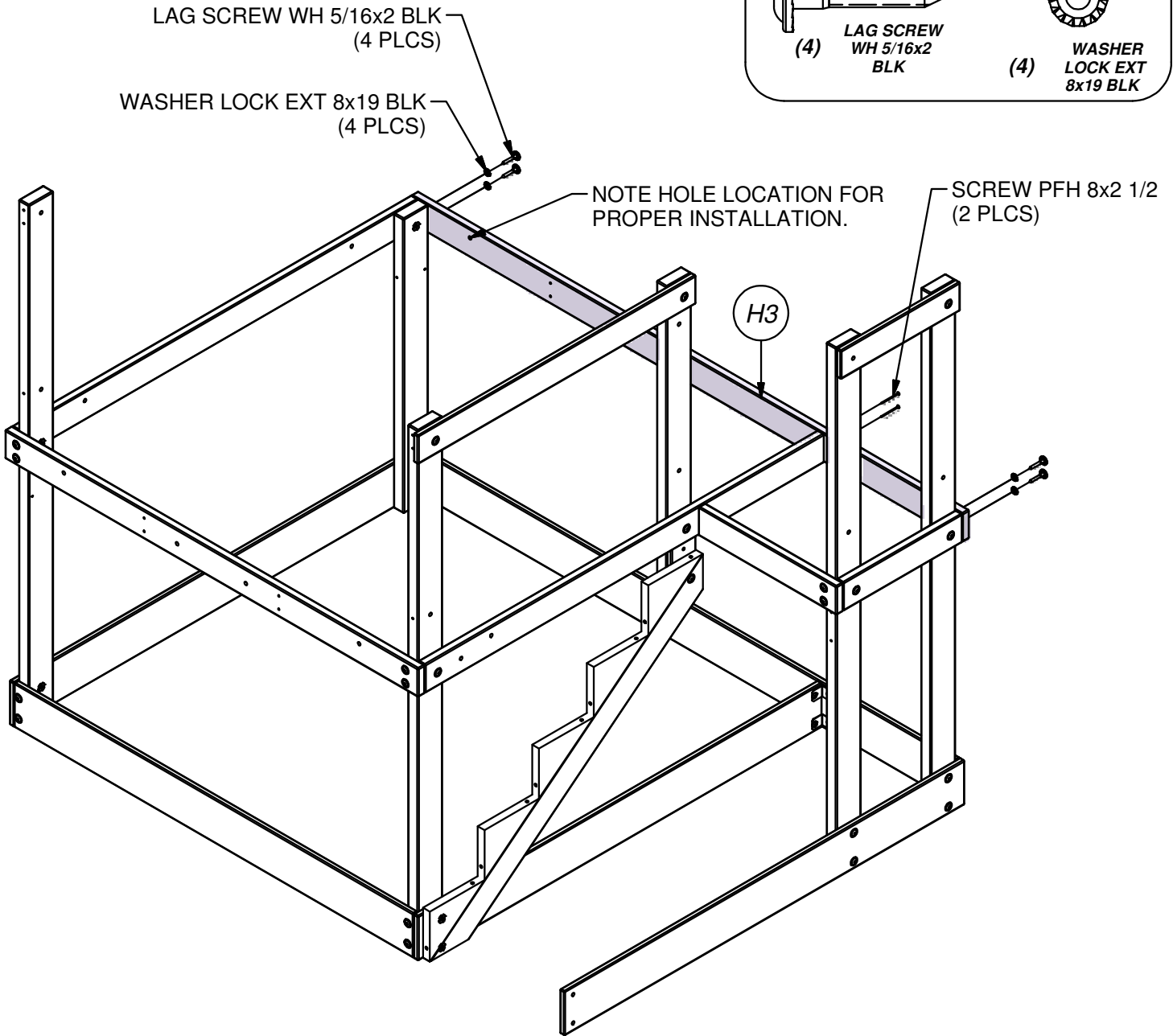
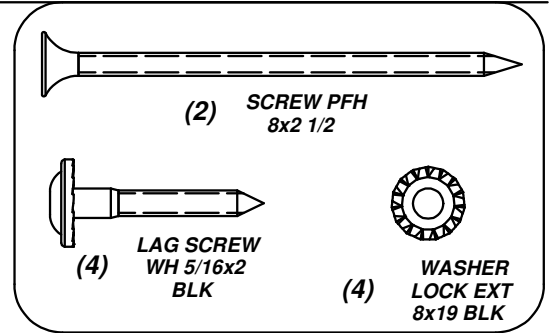
STEP 8





(1) **H3 - FLOOR RAIL - W4L06646**
1"x3 3/8"x75 3/4" (24x86x1924)

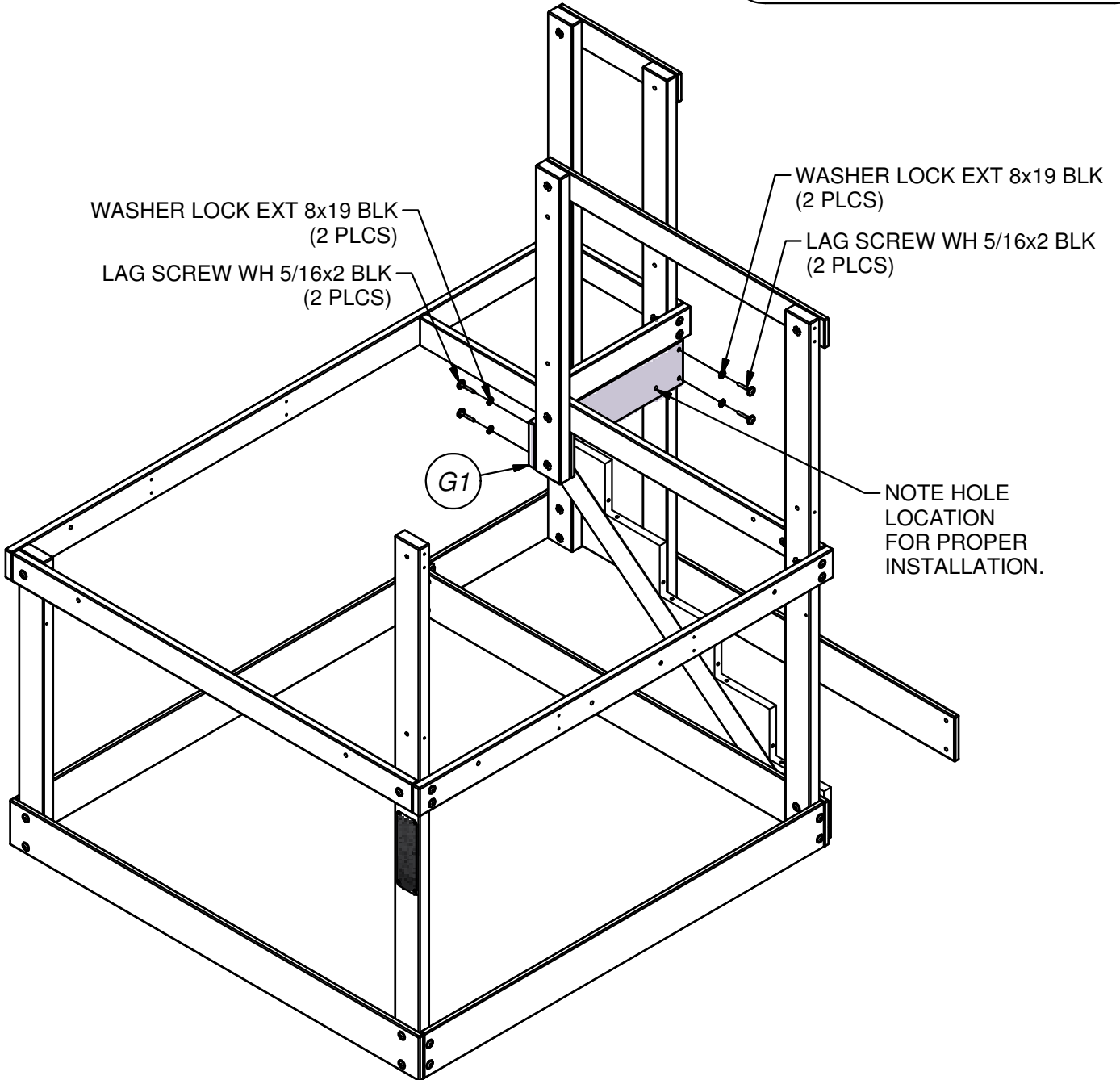
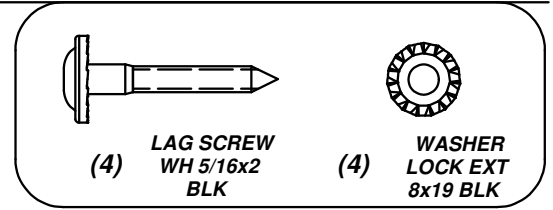
STEP 9





- (1) **G1 - STAIRCASE BOARD - W4L21031**
1"x5 1/4"x20 3/8" (24x134x518)

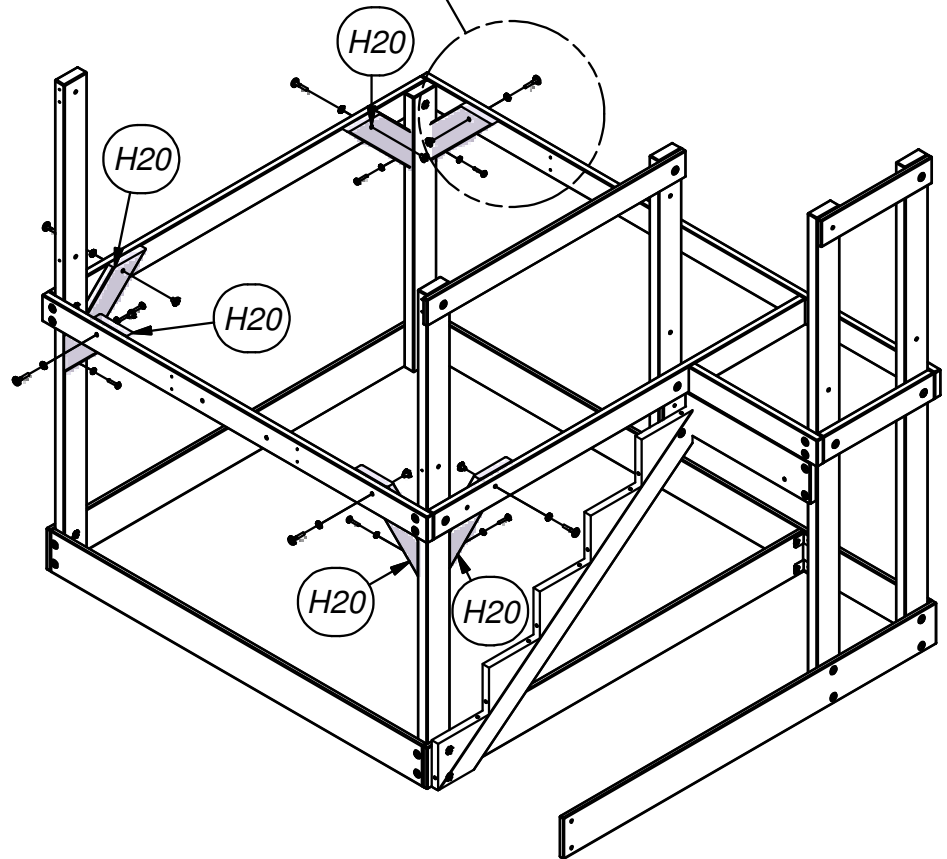
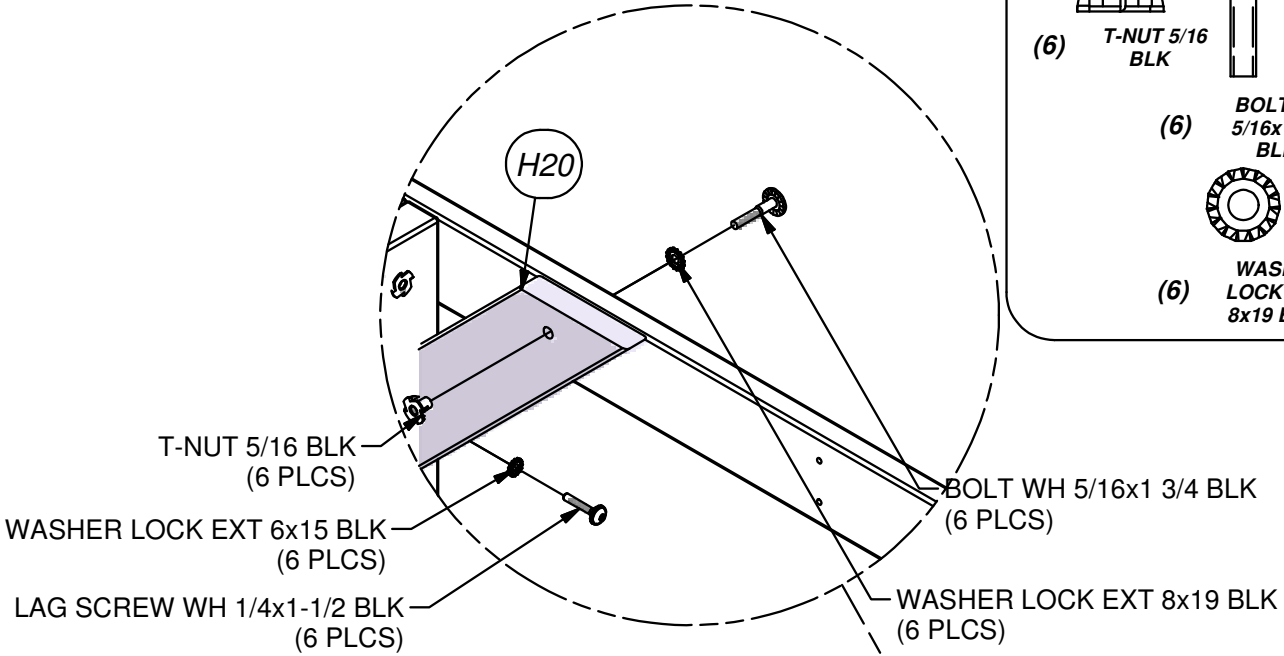
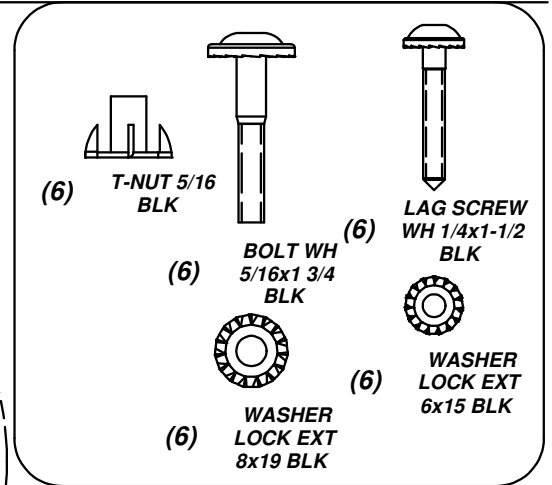
STEP 10

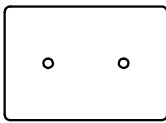




(6) **H20 - DECK BRACE - W4L06397**
 1"x3 3/8"x13" (24x86x330)

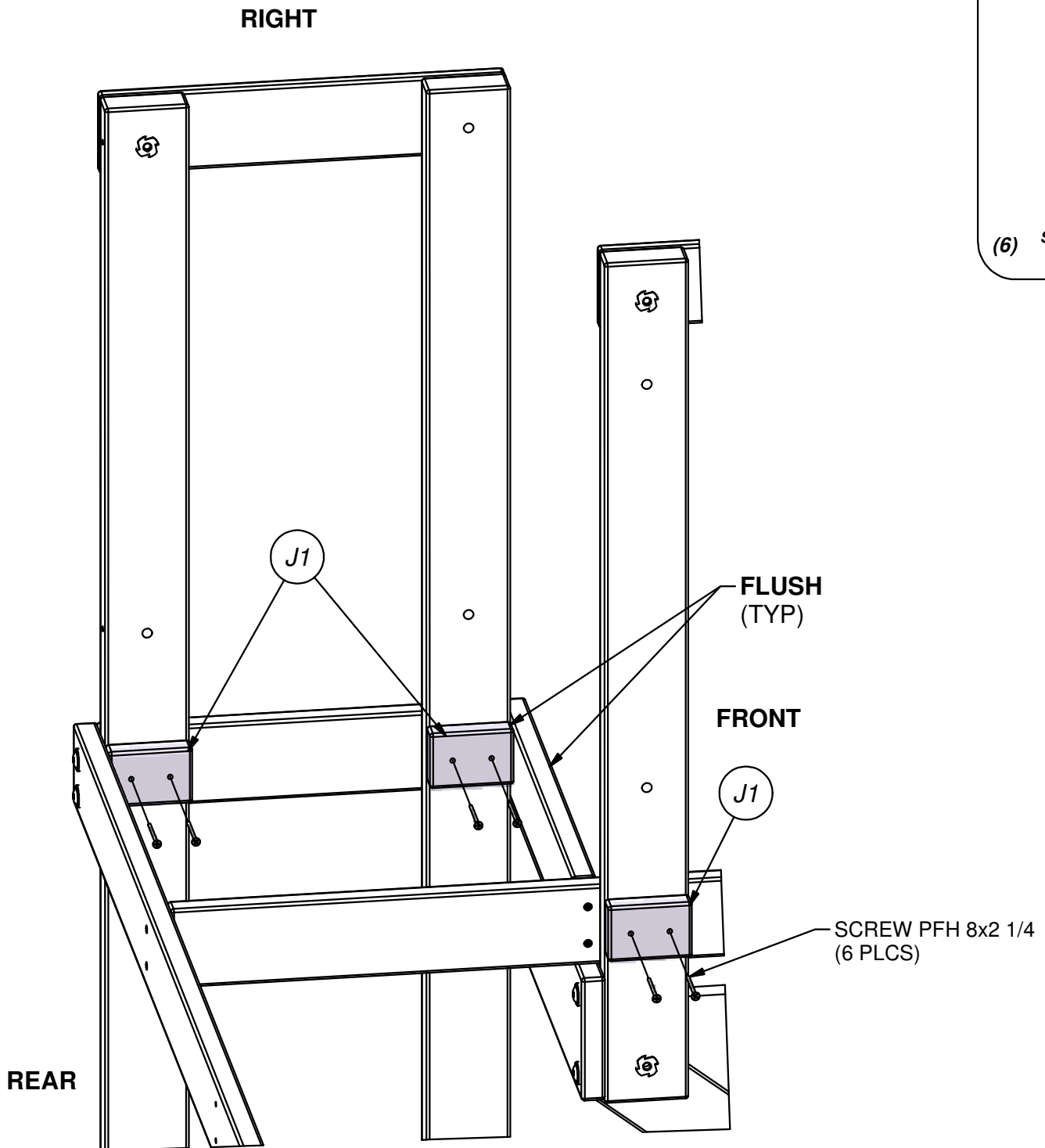
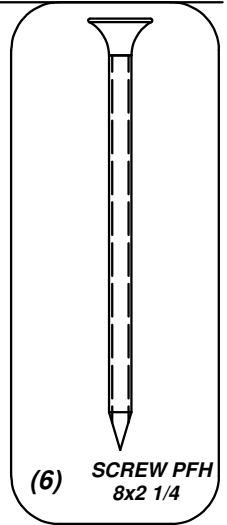
STEP 11





(3) **J1 - FLOOR SUPPORT BLOCK - W4L06403**
1"x2 3/8"x3 3/8" (24x60x86)

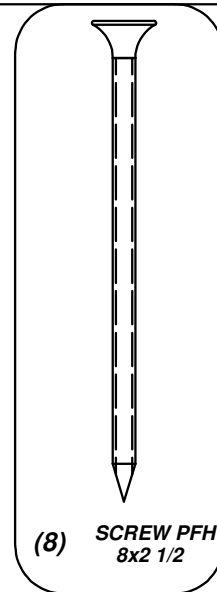
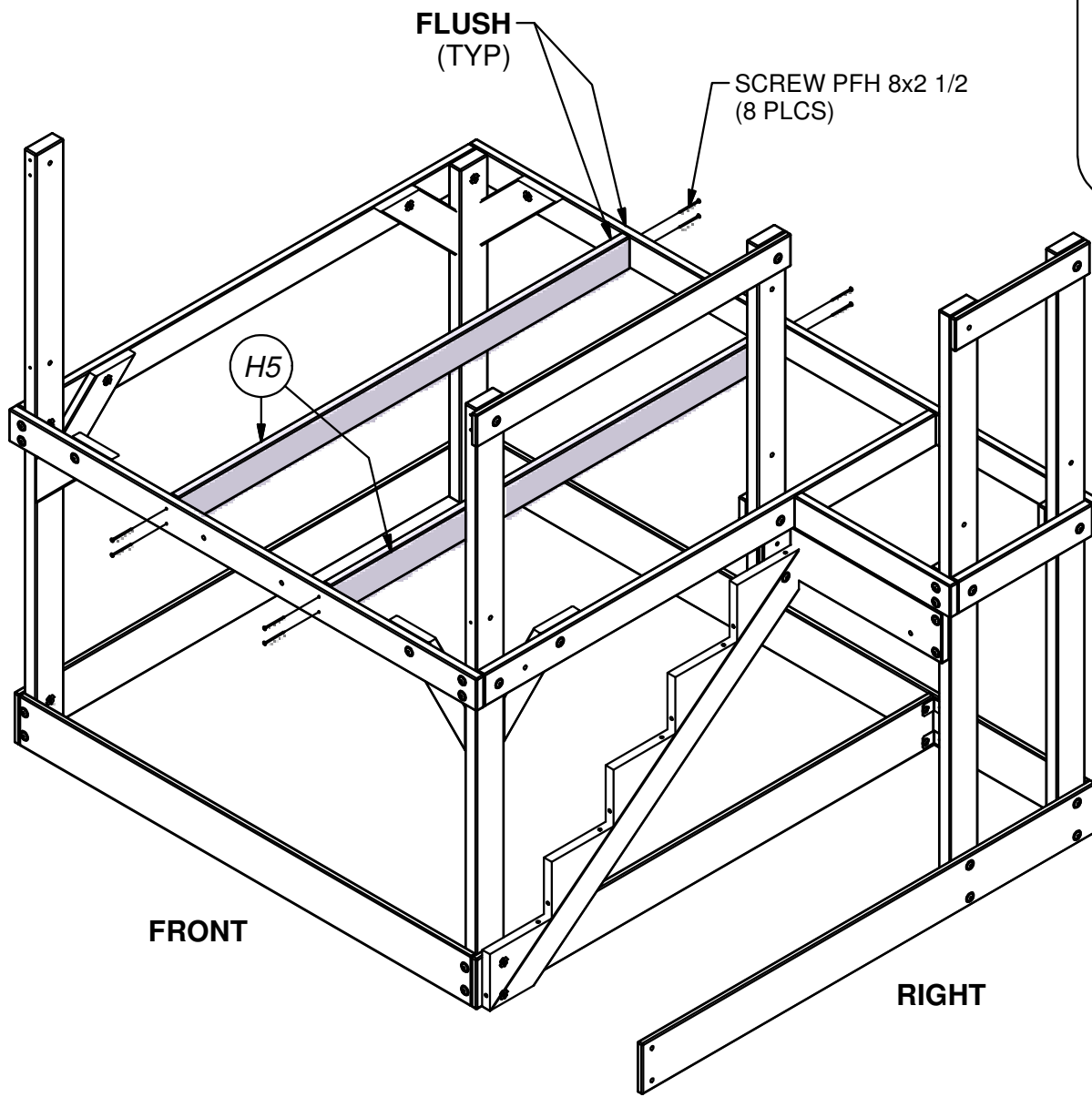
STEP 12

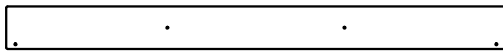




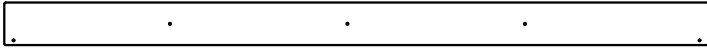
(2) H5 - FLOOR SUPPORT - W4L06399
1"x3 3/8"x54 7/8" (24x86x1394)

STEP 13



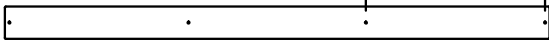


(1) L1 - FLOOR BOARD - W4L06400
5/8"x4 3/8"x52" (16x112x1321)

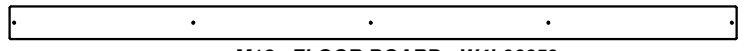


(1) L2 - FLOOR BOARD - W4L06658
5/8"x4 3/8"x73 3/8" (16x112x1864)

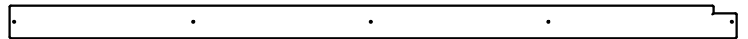
18 11/16" [474mm]



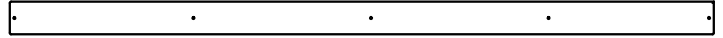
(9) M4 - FLOOR BOARD - W4L06401
5/8"x3 3/8"x56 3/4" (16x86x1442)



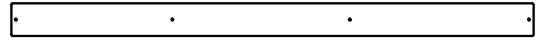
(2) M12 - FLOOR BOARD - W4L06659
5/8"x3 3/8"x75 3/4" (16x86x1924)



(1) M13 - FLOOR BOARD - W4L06660
5/8"x3 3/8"x75 3/4" (16x86x1924)

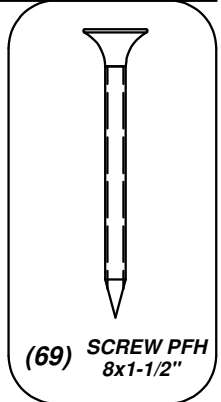


(1) M14 - FLOOR BOARD - W4L06661
5/8"x3 3/8"x73 3/8" (16x86x1863)

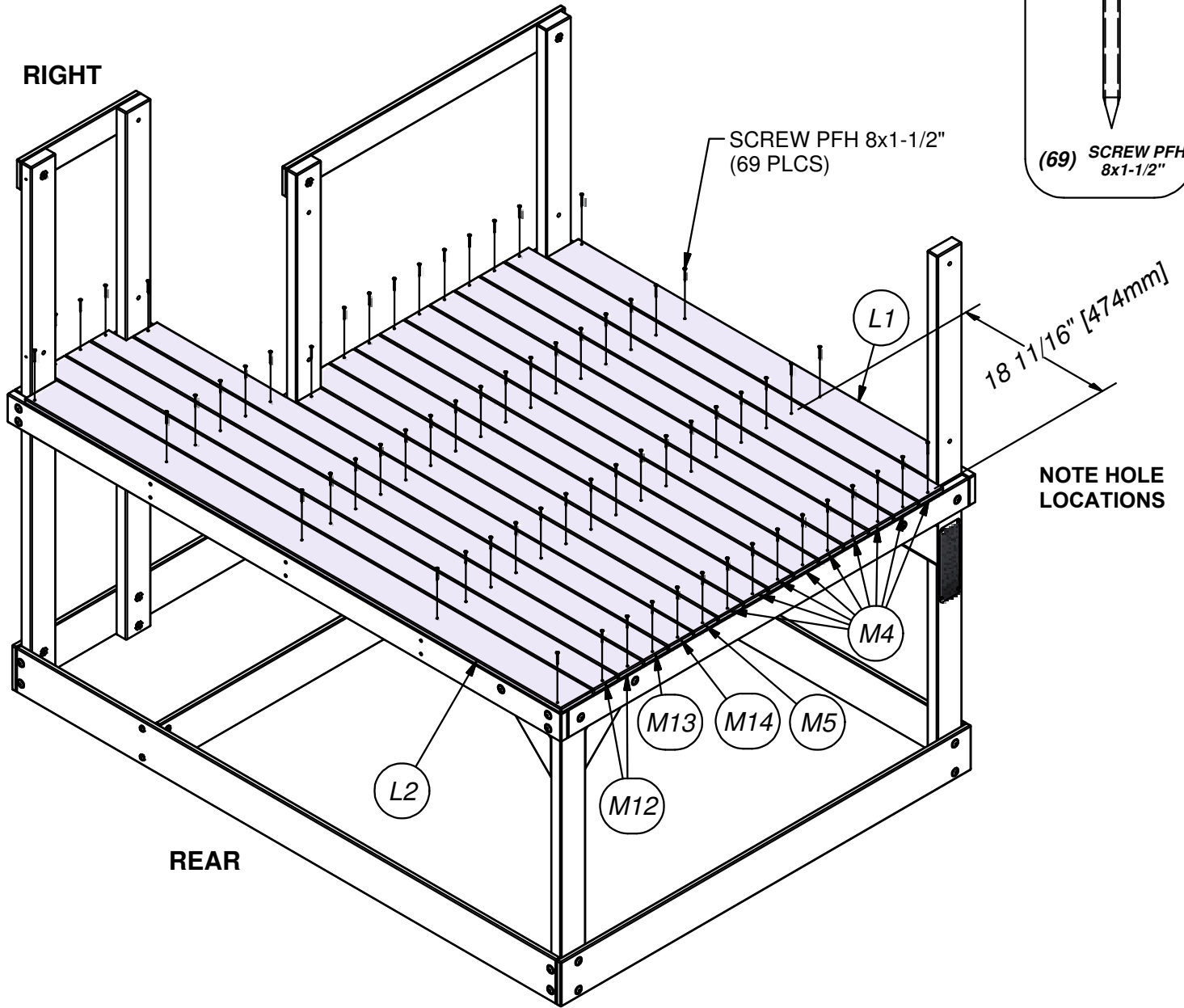


(1) M5 - FLOOR BOARD - W4L06402
5/8"x3 3/8"x54 3/8" (16x86x1382)

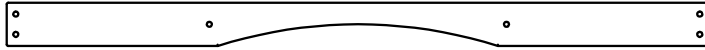
STEP 14



(69) SCREW PFH
8x1-1/2"



- (2) **M2 - WALL RAIL - W4L06393**
5/8"x3 3/8"x17 1/2" (16x86x445)



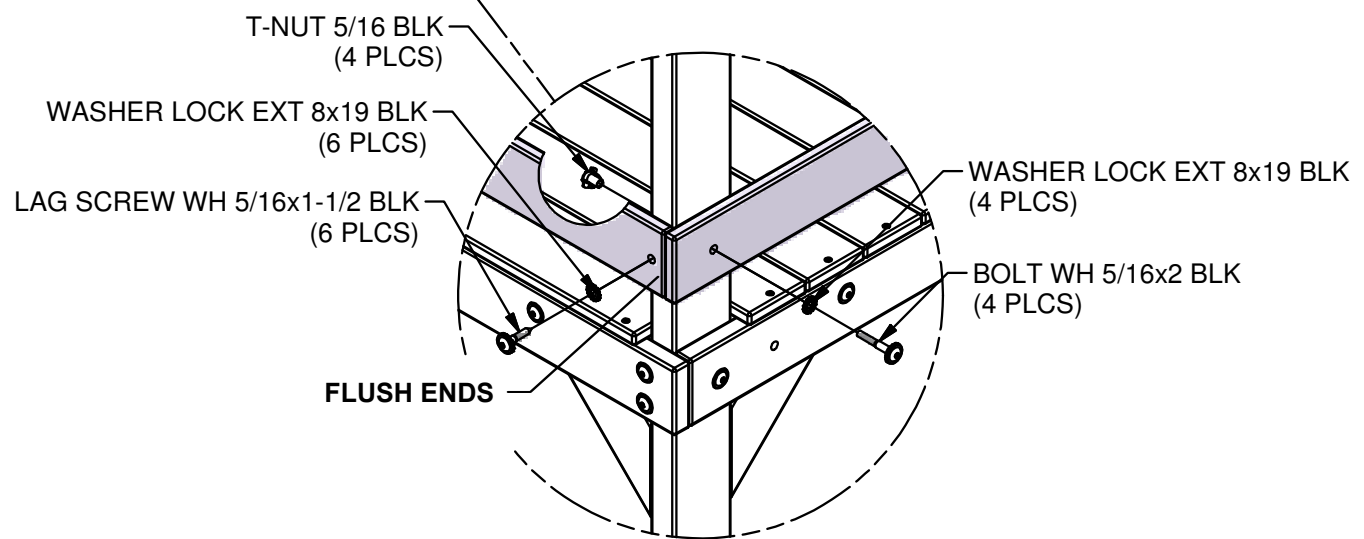
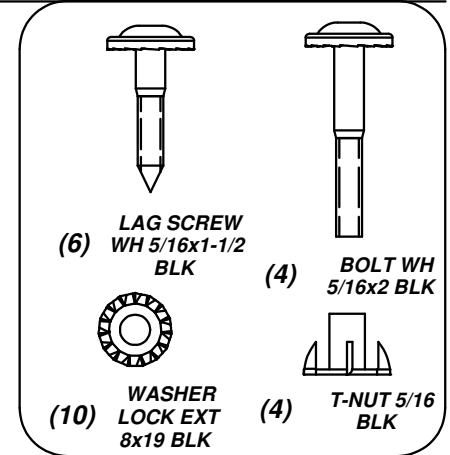
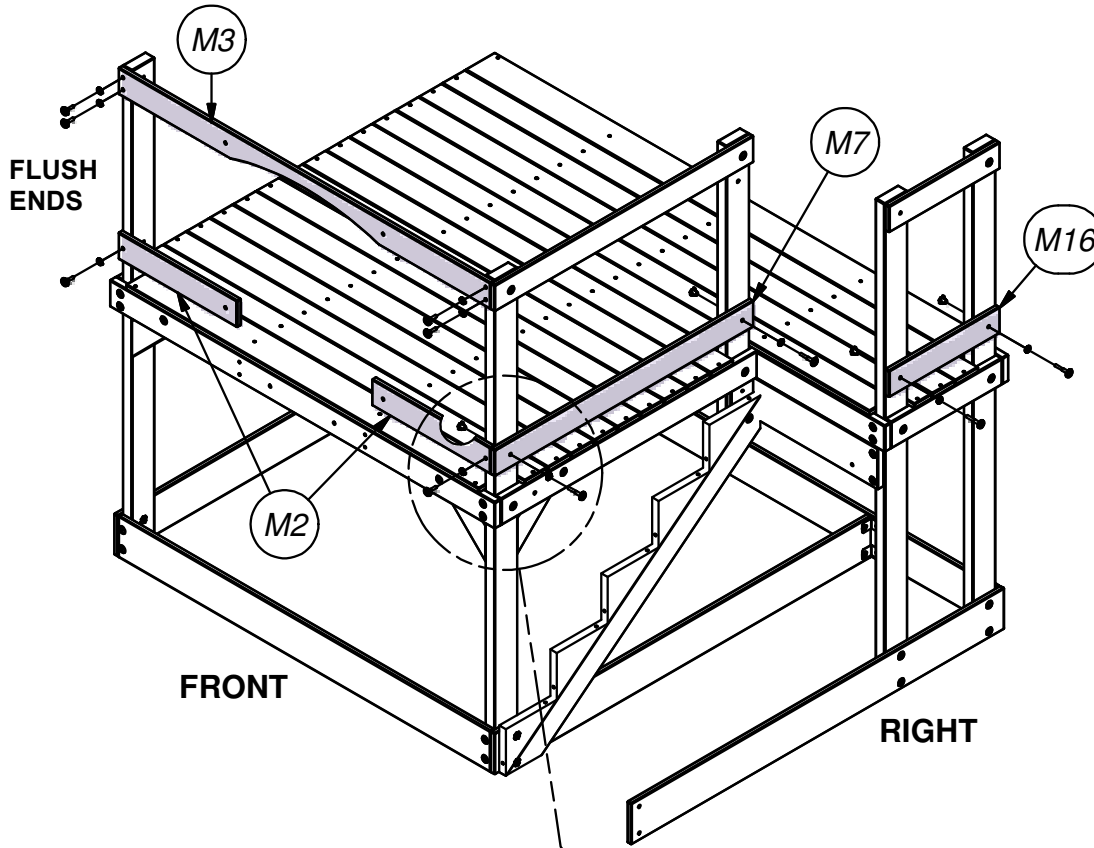
- (1) **M3 - WALL RAIL - W4L06394**
5/8"x3 3/8"x54 7/8" (16x86x1394)

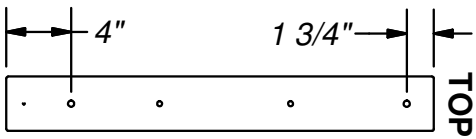
- (1) **M7 - WALL RAIL - W4L06643**
5/8"x3 3/8"x38 1/4" (16x86x970)



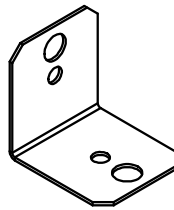
- (1) **M16 - WALL RAIL - W4L06653**
5/8"x3 3/8"x16 3/8" (16x86x416)

STEP 15

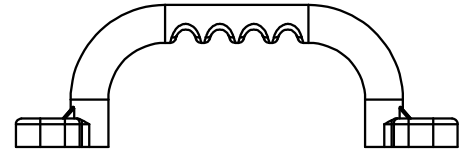




(2) **M6 - WALL BOARD - W4L06668**
5/8"x3 3/8"x26 3/4" (16x86x679)

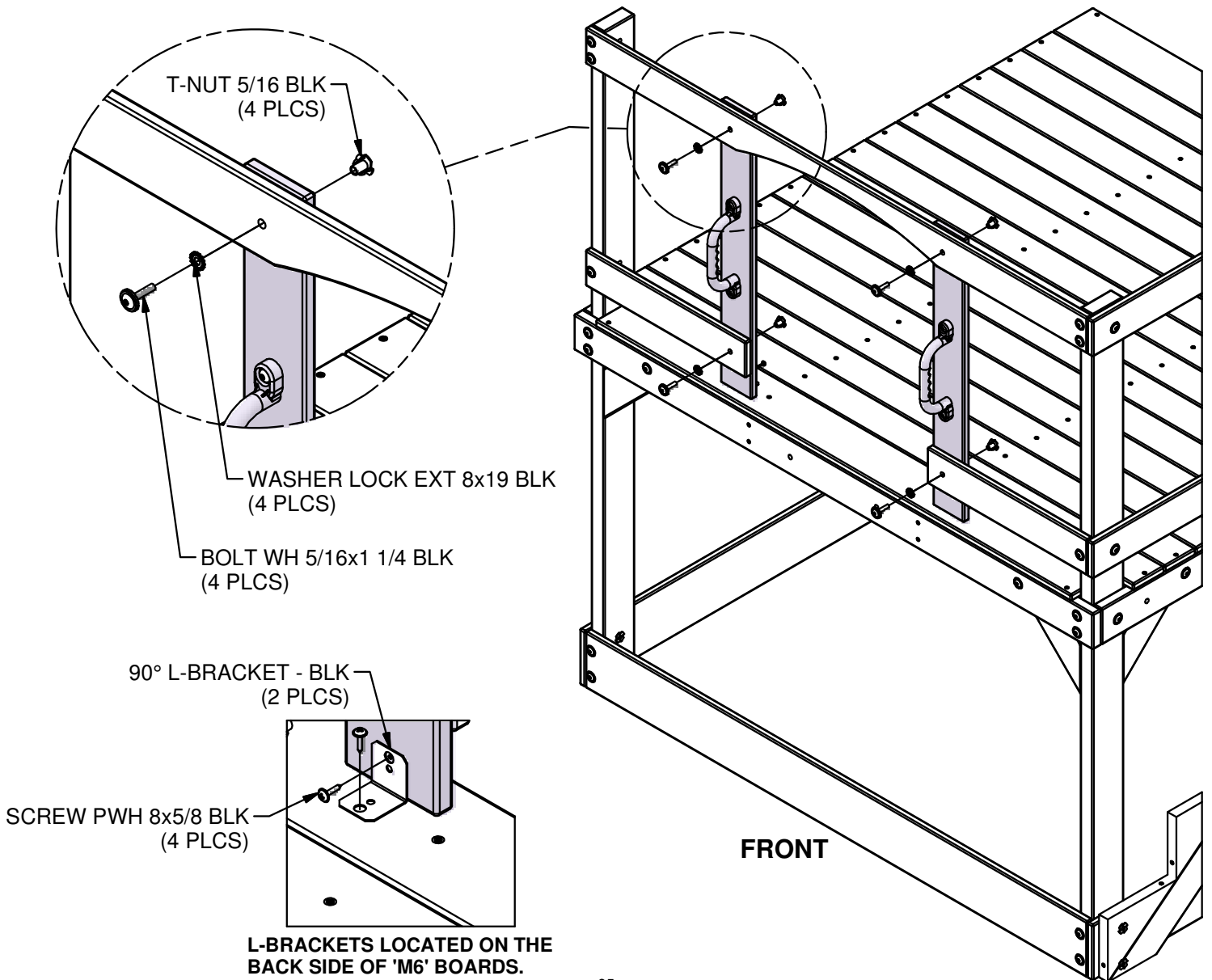
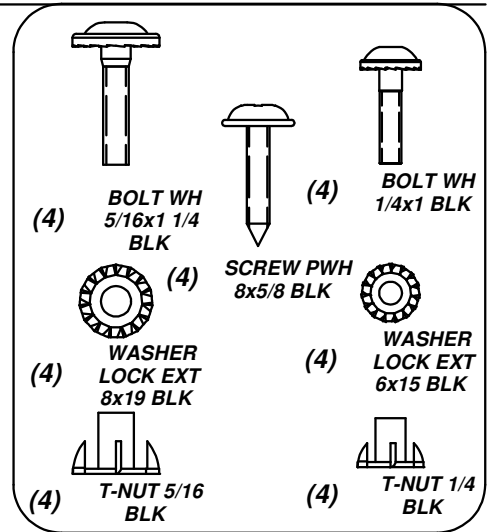
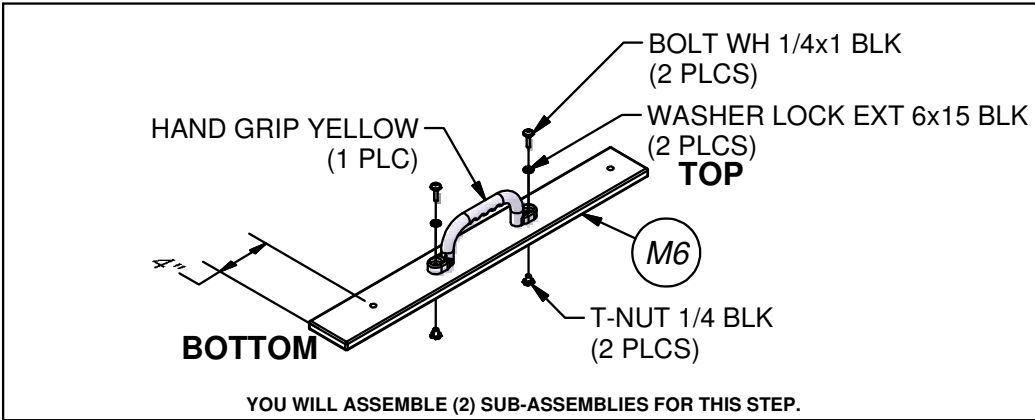


(2) **- 90° L-BRACKET - BLK - A4M00555**



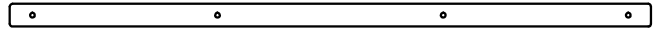
(2) **- HAND GRIP YELLOW - A6P00303**

STEP 16



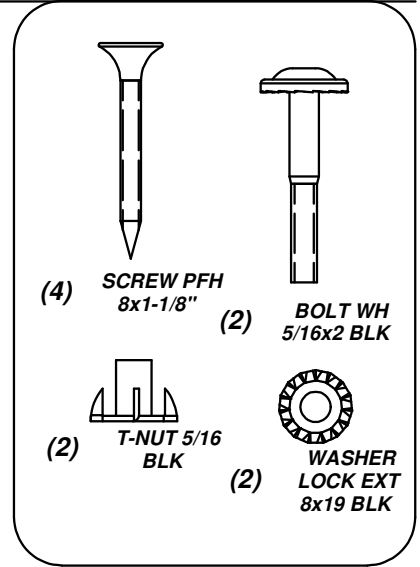
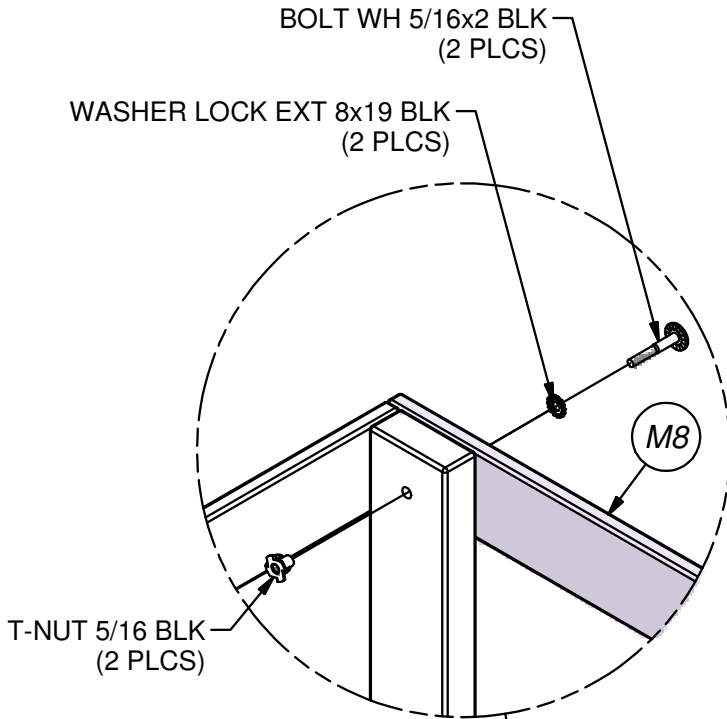


(2) **M8 - WALL RAIL - W4L06409**
5/8"x3 3/8"x17 1/4" (16x86x439)

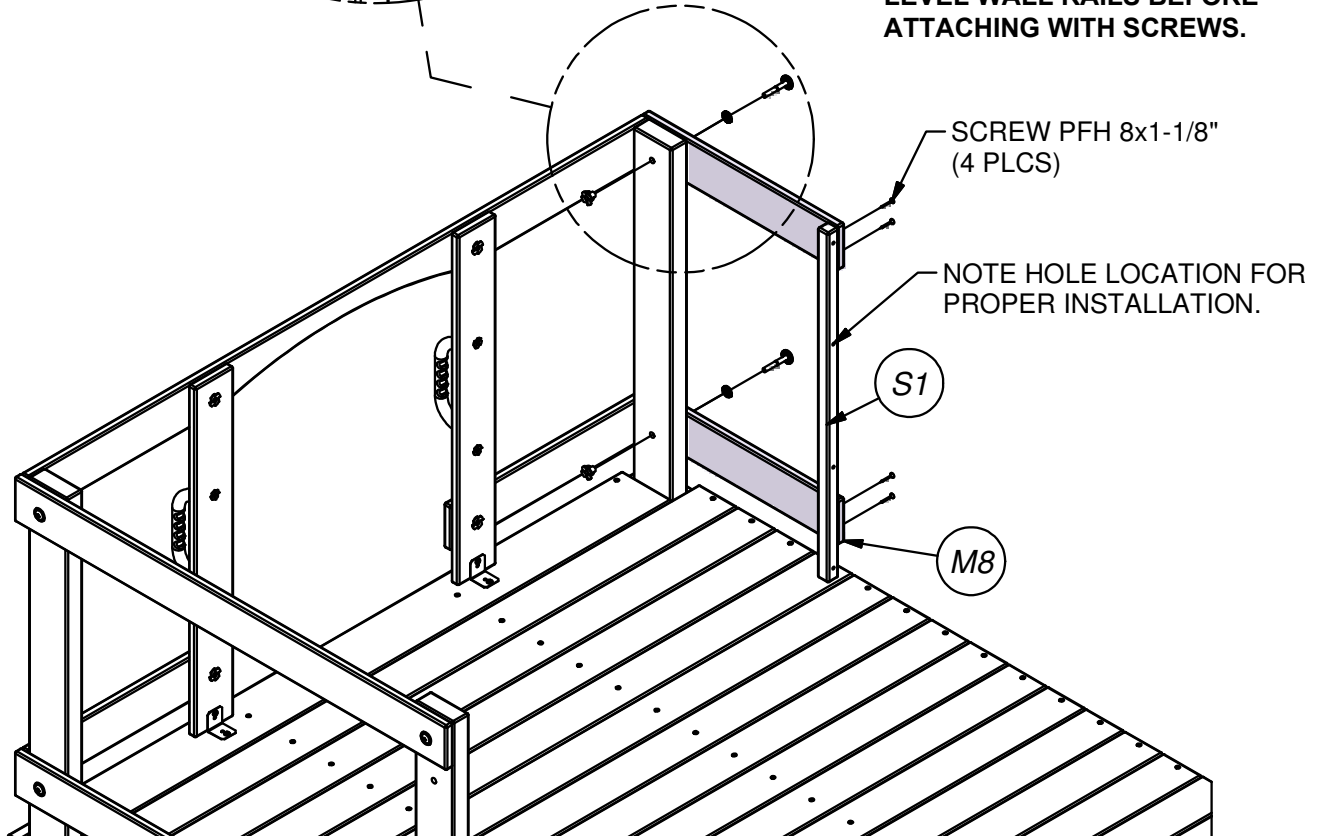


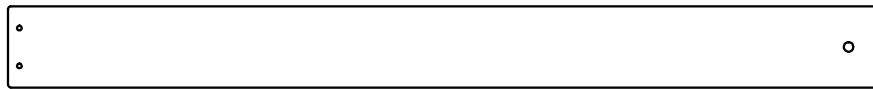
(1) **S1 - RAIL BOARD - W4L06664**
1"x1"x26 3/4" (24x24x679)

STEP 17



LEVEL WALL RAILS BEFORE ATTACHING WITH SCREWS.





(2) **M9 - WALL RAIL - W4L06647**
5/8"x3 3/8"x36 3/8" (16x86x924)



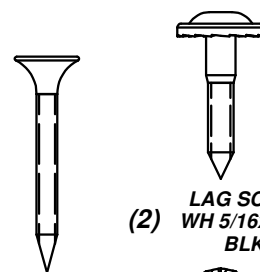
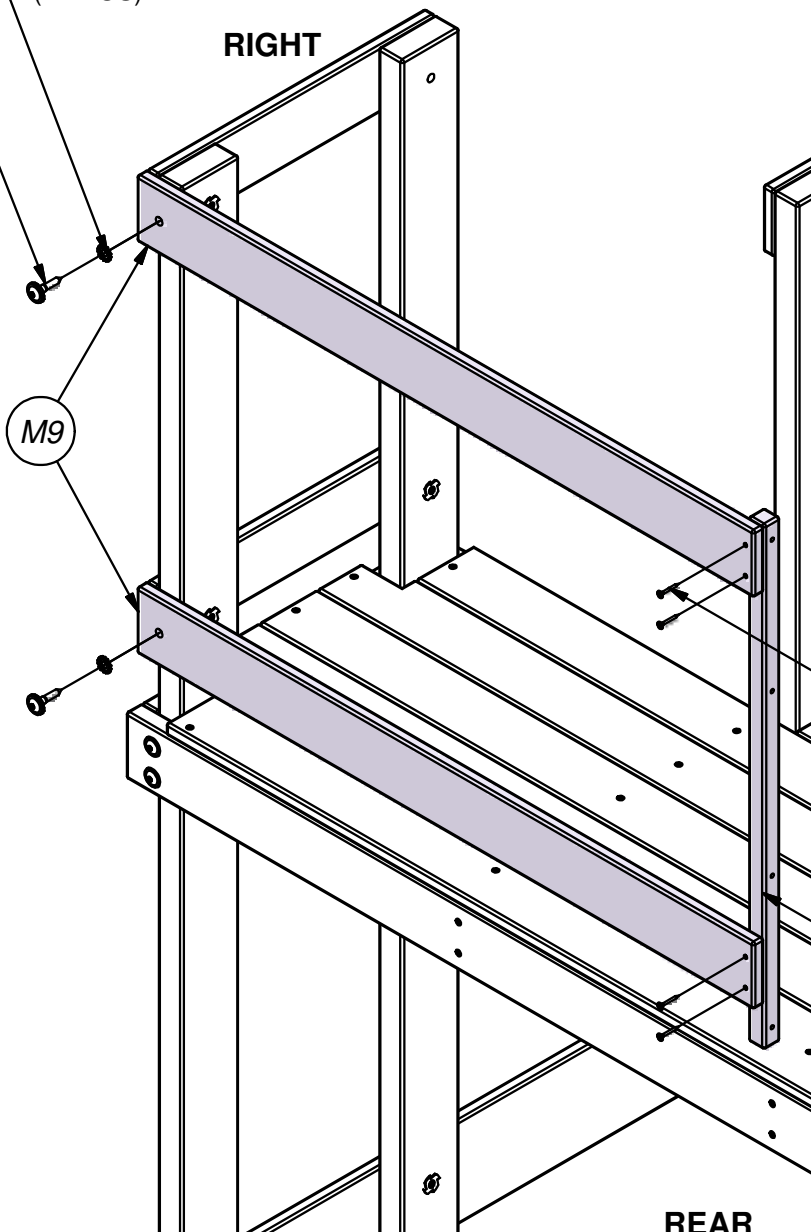
(1) **S1 - RAIL BOARD - W4L06664**
1"x1"x26 3/4" (24x24x679)

STEP 18

LAG SCREW WH 5/16x1-1/2 BLK
(2 PLCS)

WASHER LOCK EXT 8x19 BLK
(2 PLCS)

RIGHT



(2) **LAG SCREW**
WH 5/16x1-1/2
BLK

(4) **SCREW PFH**
8x1-1/8"



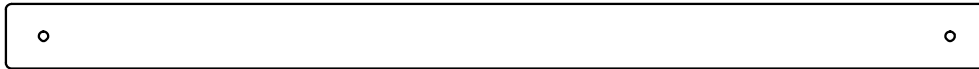
(2) **WASHER**
LOCK EXT
8x19 BLK

**LEVEL WALL RAILS BEFORE
ATTACHING WITH SCREWS.**

SCREW PFH 8x1-1/8"
(4 PLCS)

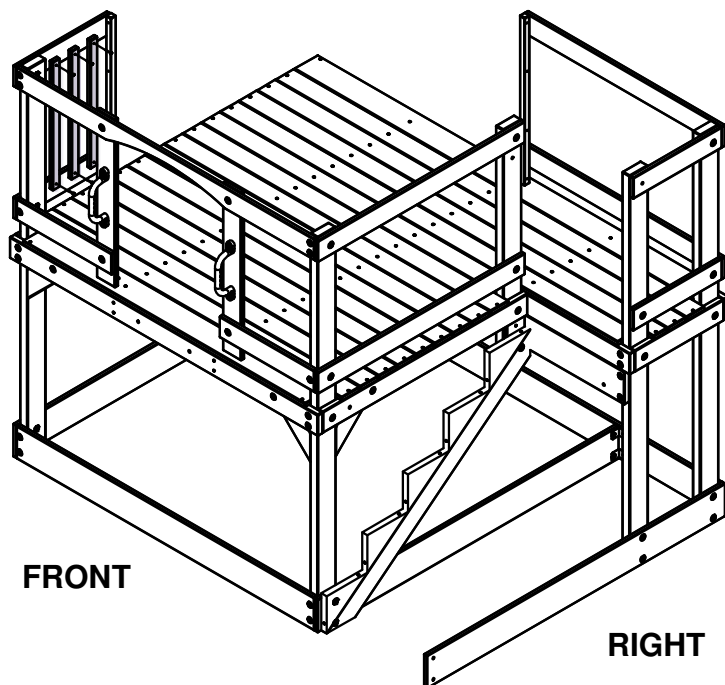
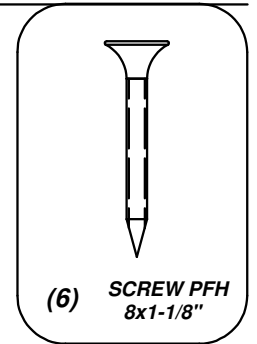
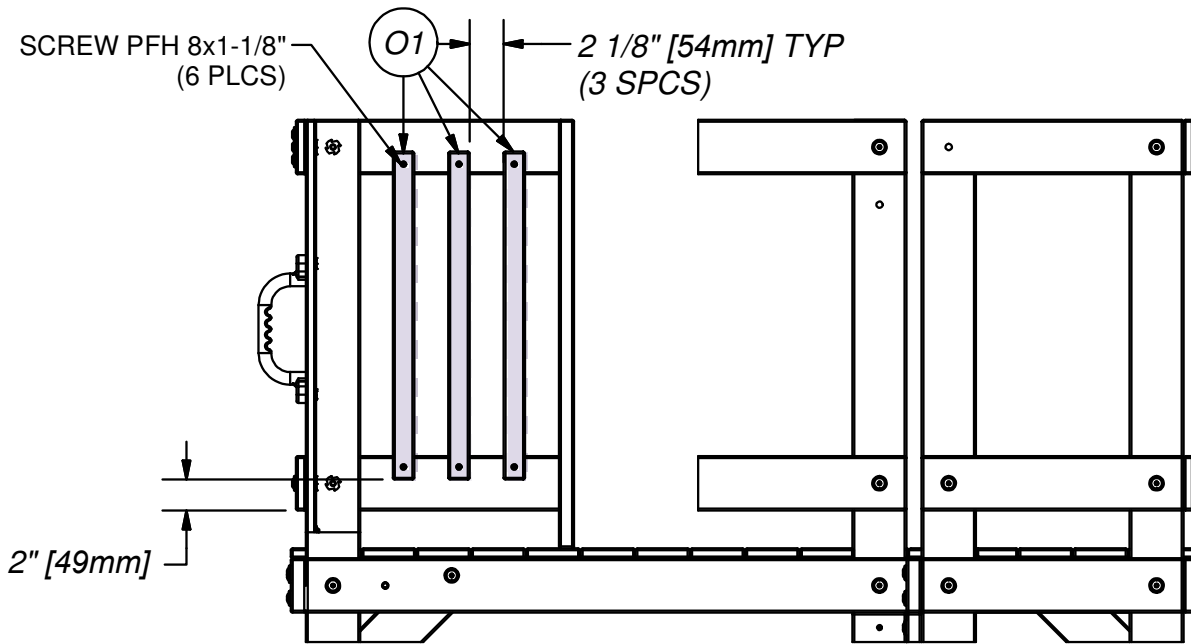
(S1)

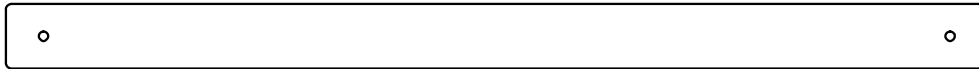
REAR



(3) O1 - PICKET - W4L06665
5/8"x1 3/8"x20 1/2" (16x34x520)

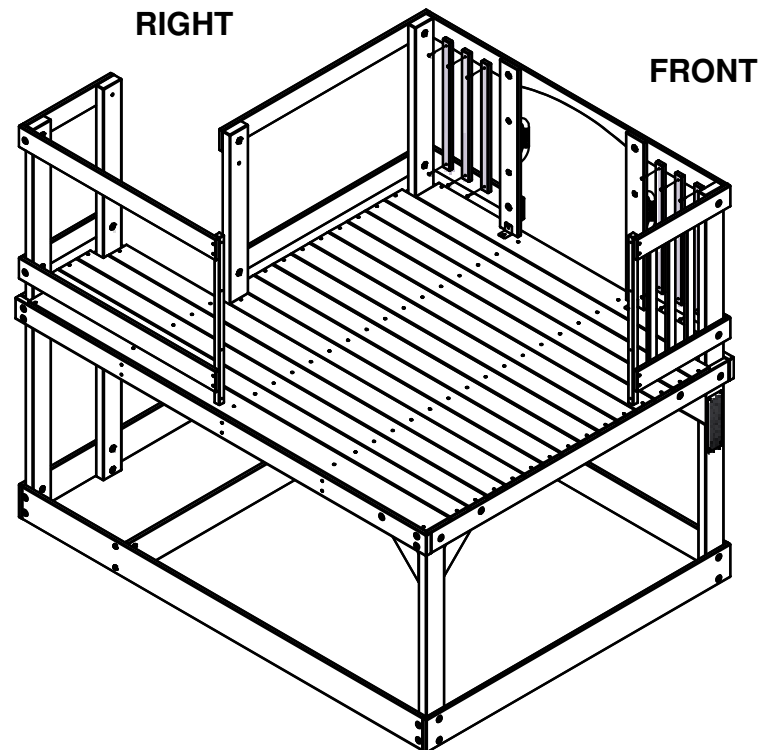
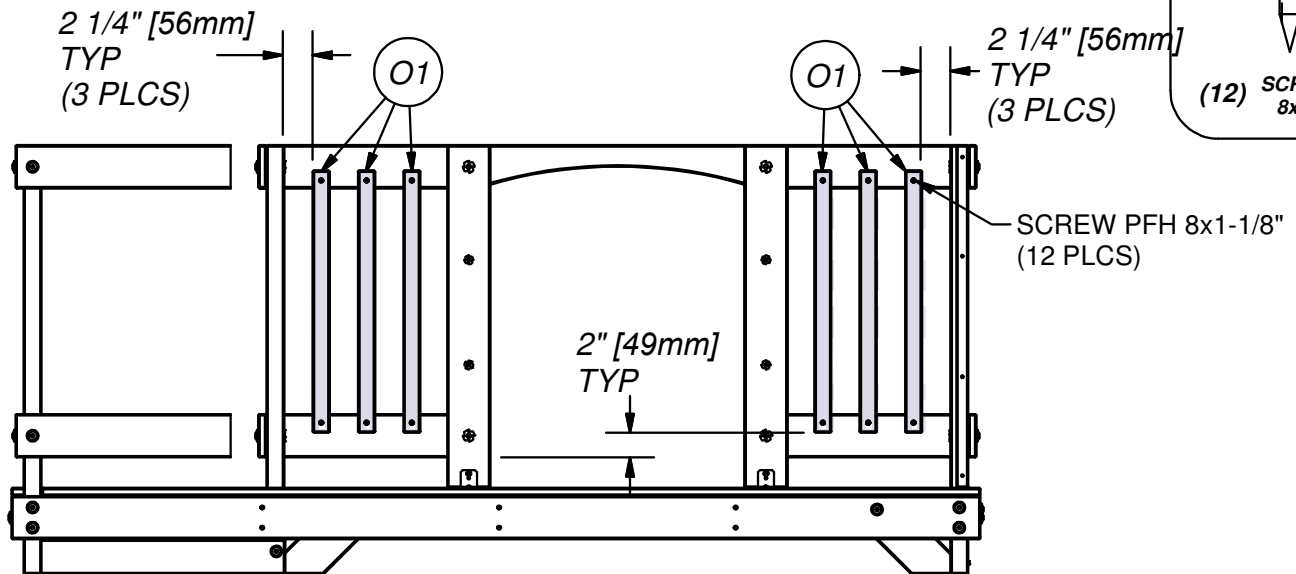
STEP 19 USE A6P00410 PICKET PAL FOR SPACING

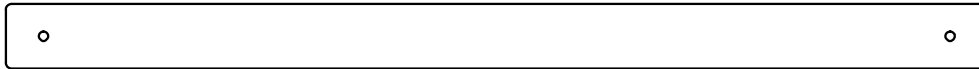




(6) O1 - PICKET - W4L06665
5/8"x1 3/8"x20 1/2" (16x34x520)

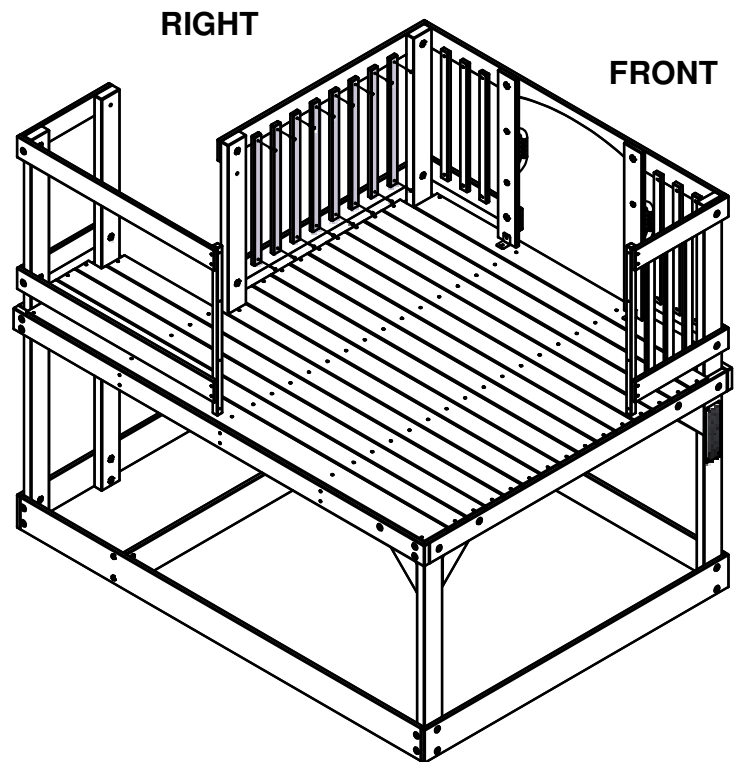
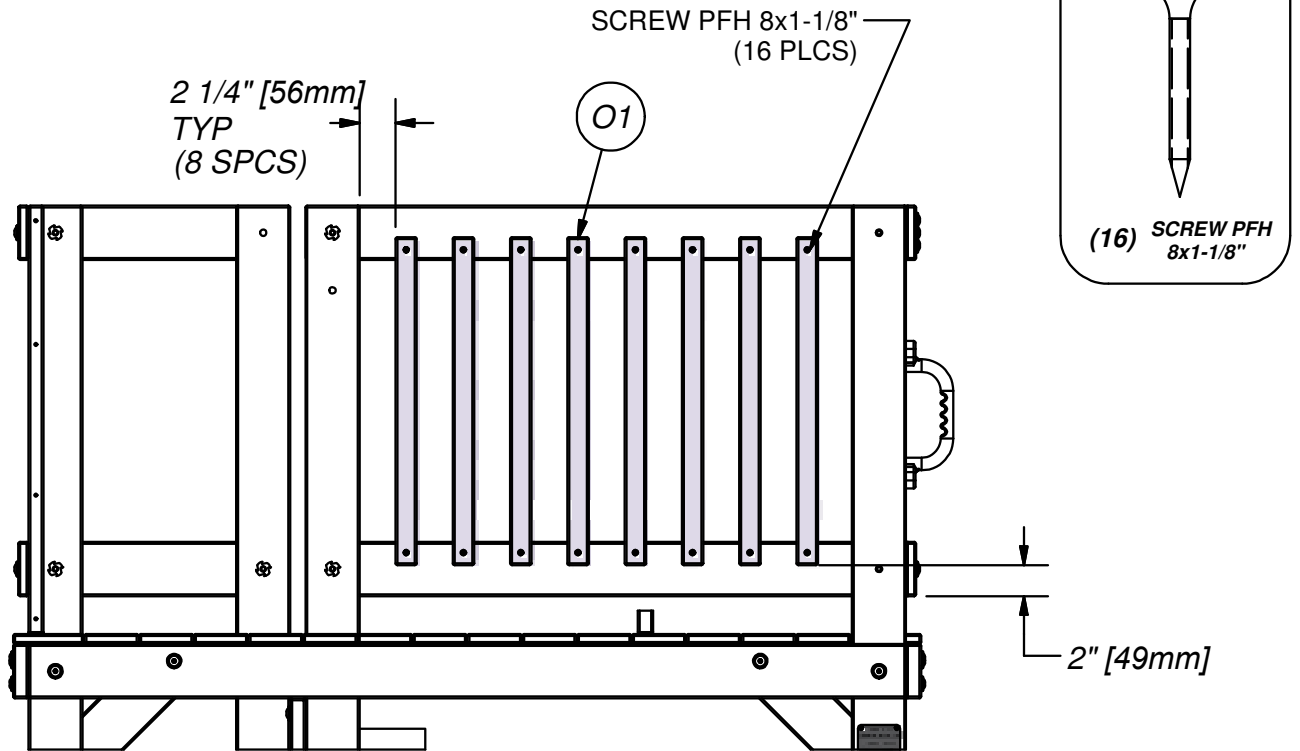
STEP 20

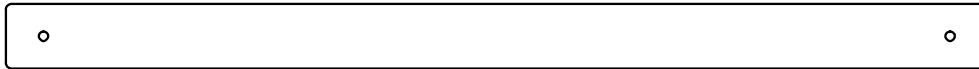




(8) O1 - PICKET - W4L06665
5/8"x1 3/8"x20 1/2" (16x34x520)

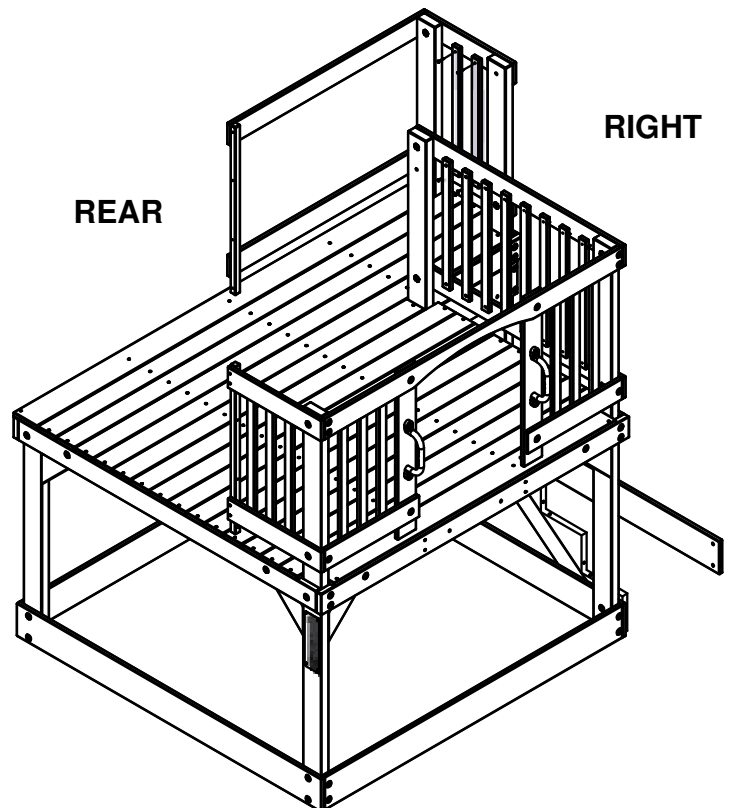
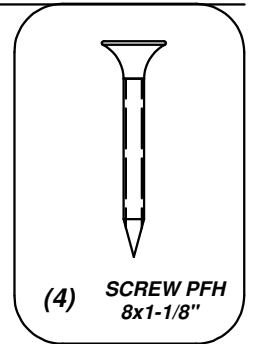
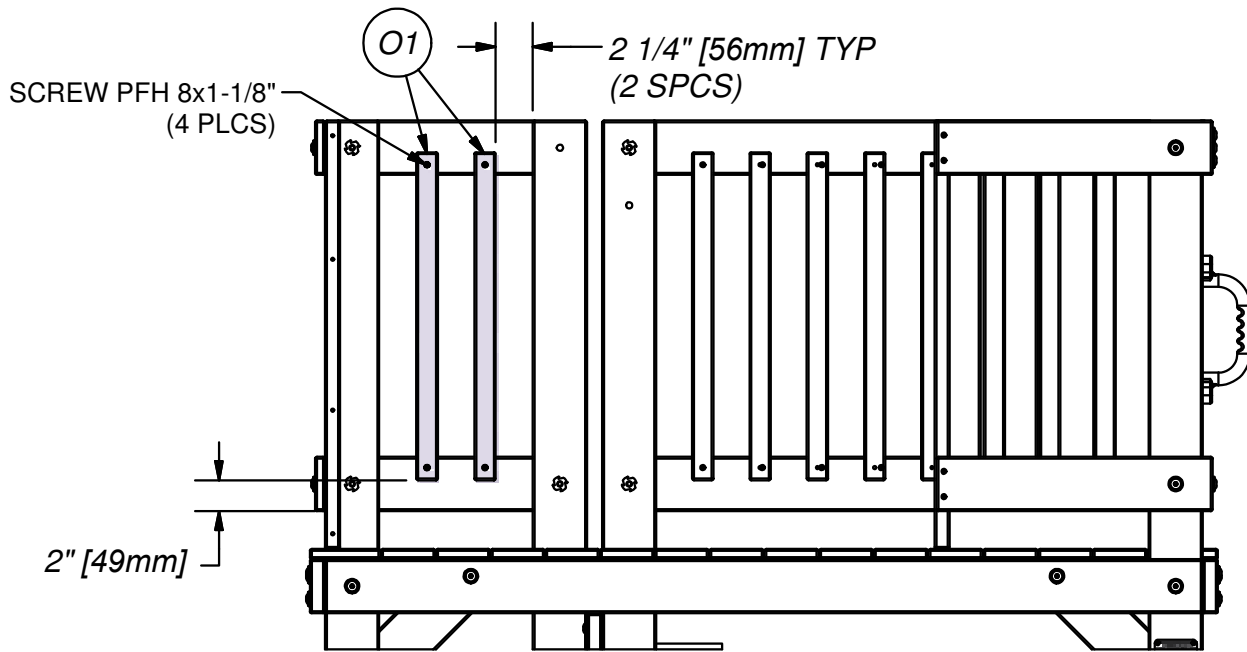
STEP 21

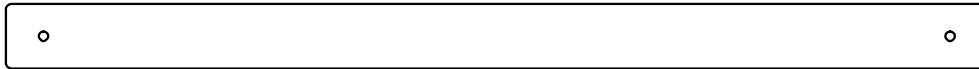




(2) O1 - PICKET - W4L06665
5/8"x1 3/8"x20 1/2" (16x34x520)

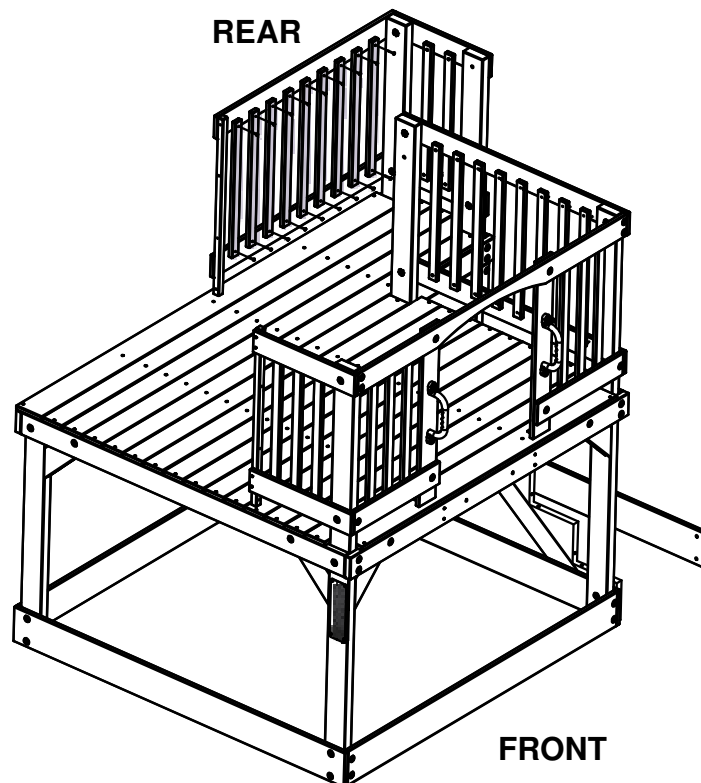
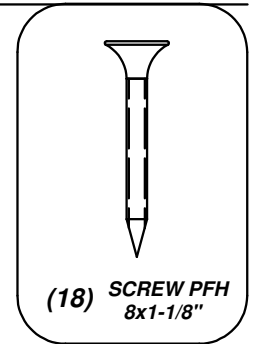
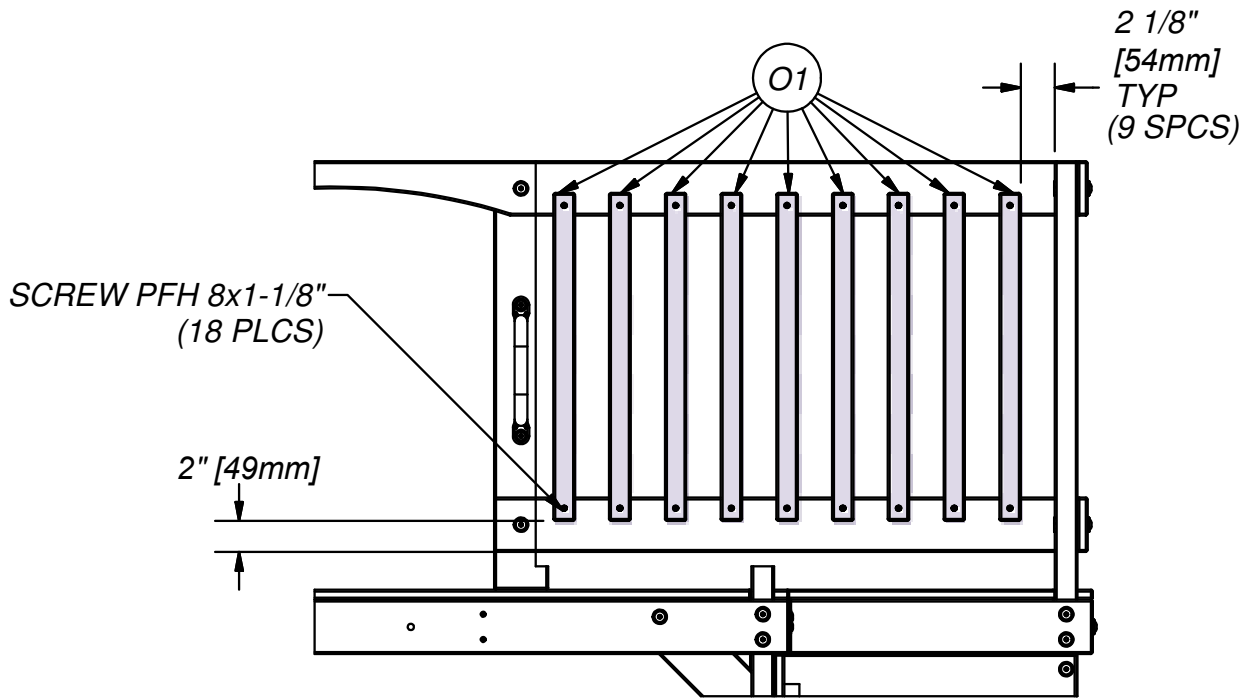
STEP 22

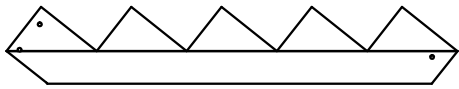




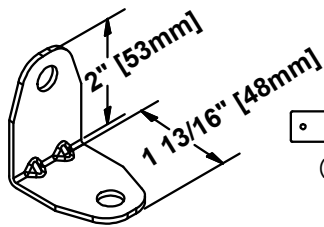
(9) O1 - PICKET - W4L06665
5/8"x1 3/8"x20 1/2" (16x34x520)

STEP 23

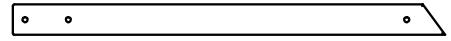




(1) SR1 - STAIR STRINGER ASSEMBLY - W2A04251

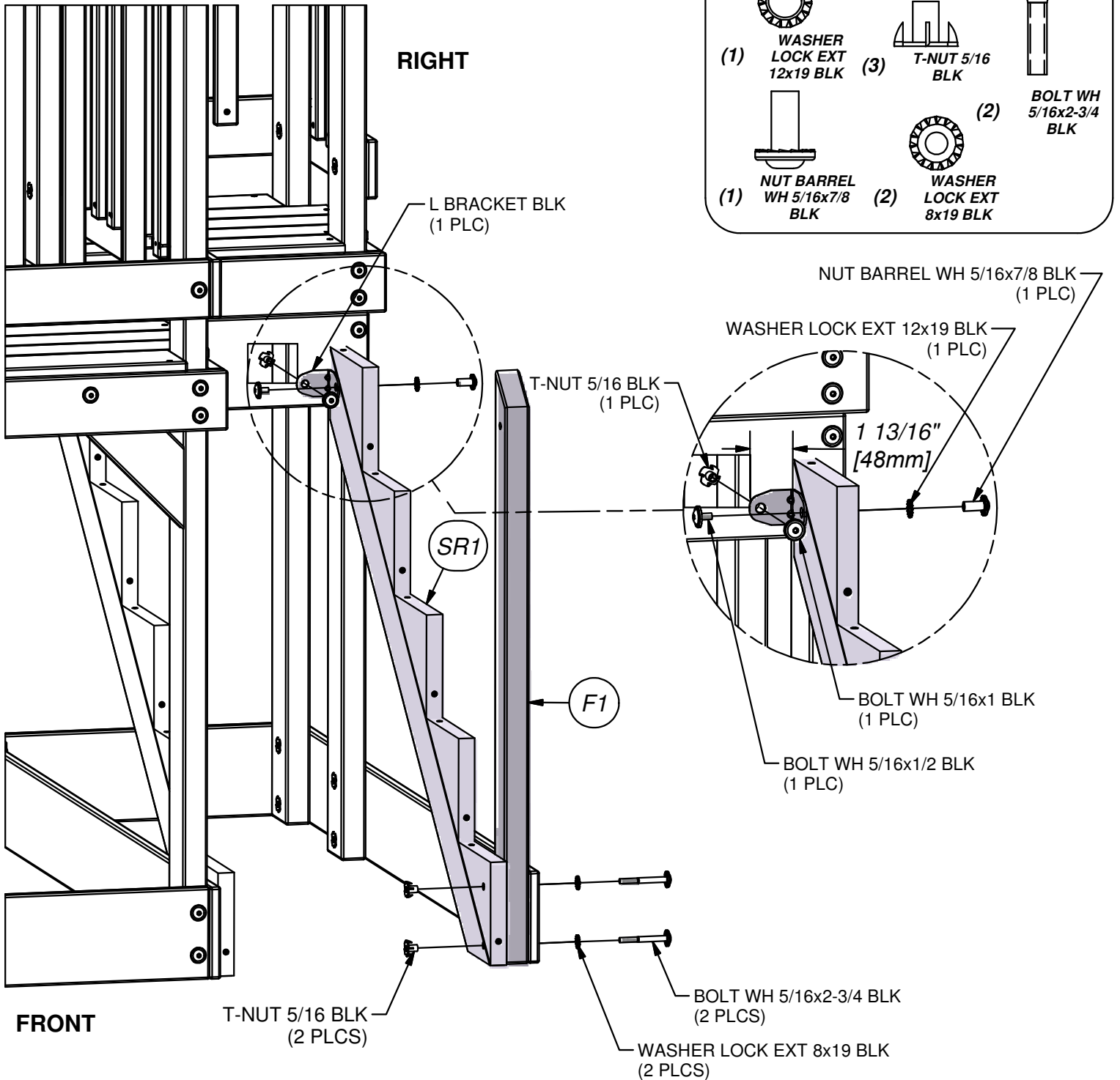


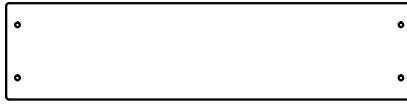
(1) - L BRACKET BLK - A4M00615



(1) F1 - STAIRCASE POST - W4L06662
1 3/8"x2 3/8"x33 3/4" (36x60x858)

STEP 24

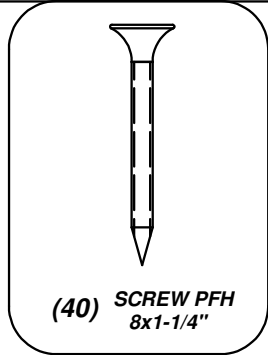
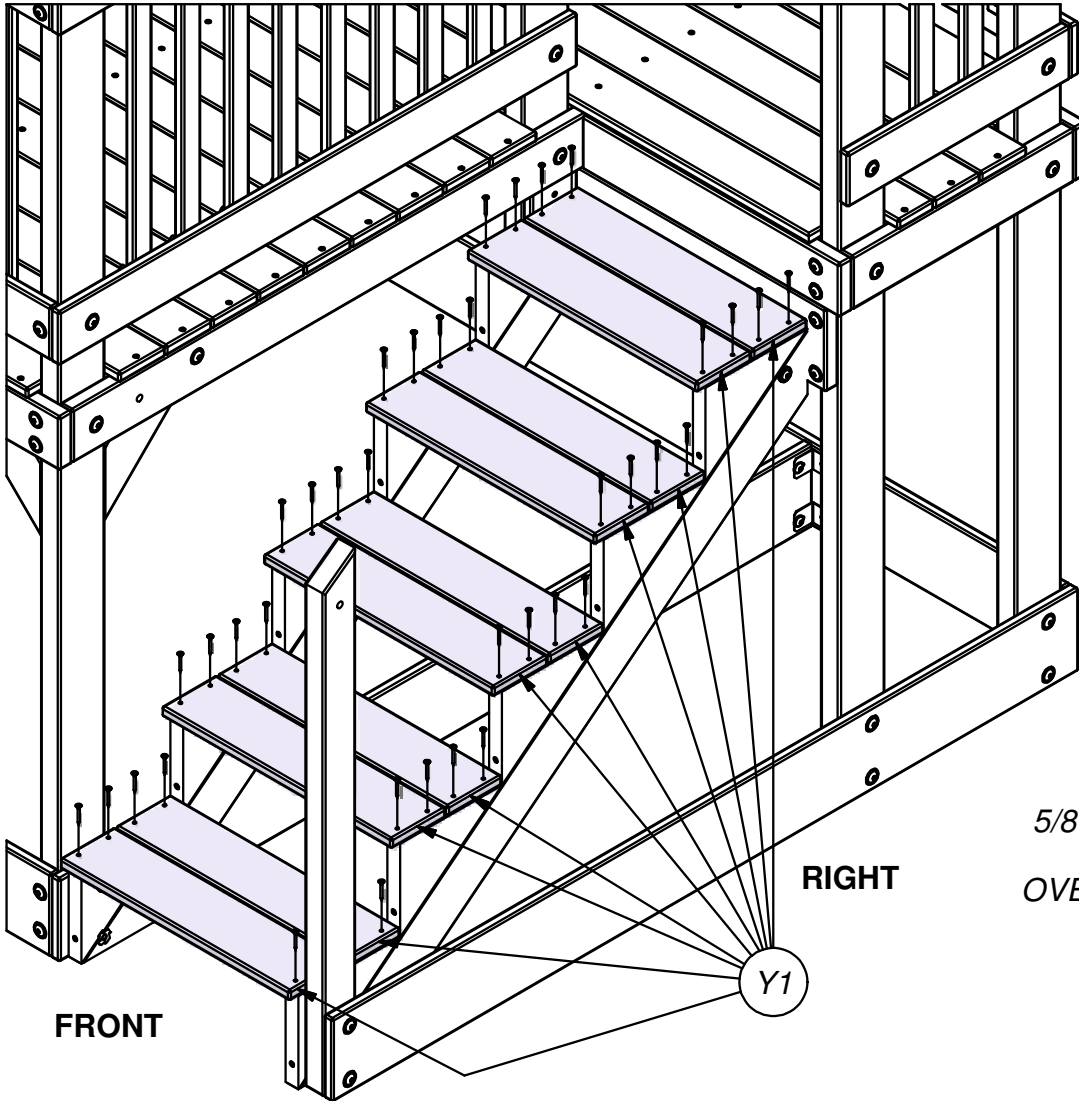




(10) Y1 - STAIR BOARD - W4L06669
5/8"x4"x16 7/8" (16x102x430)

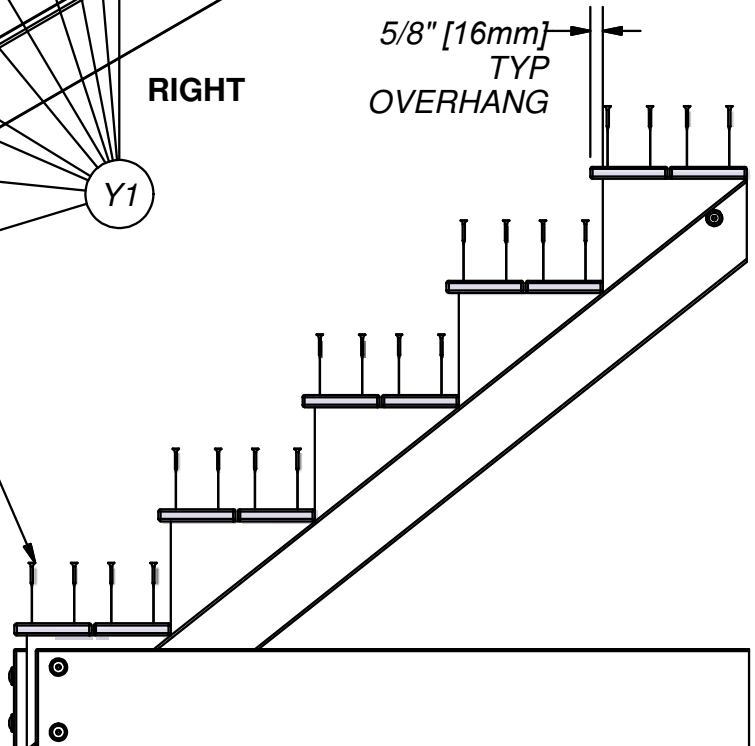
STEP 25

PREDRILL USING 1/8" [3mm] DRILL BIT



5/8" [16mm]
TYP
OVERHANG

SCREW PFH 8x1-1/4"
(40 PLCS)



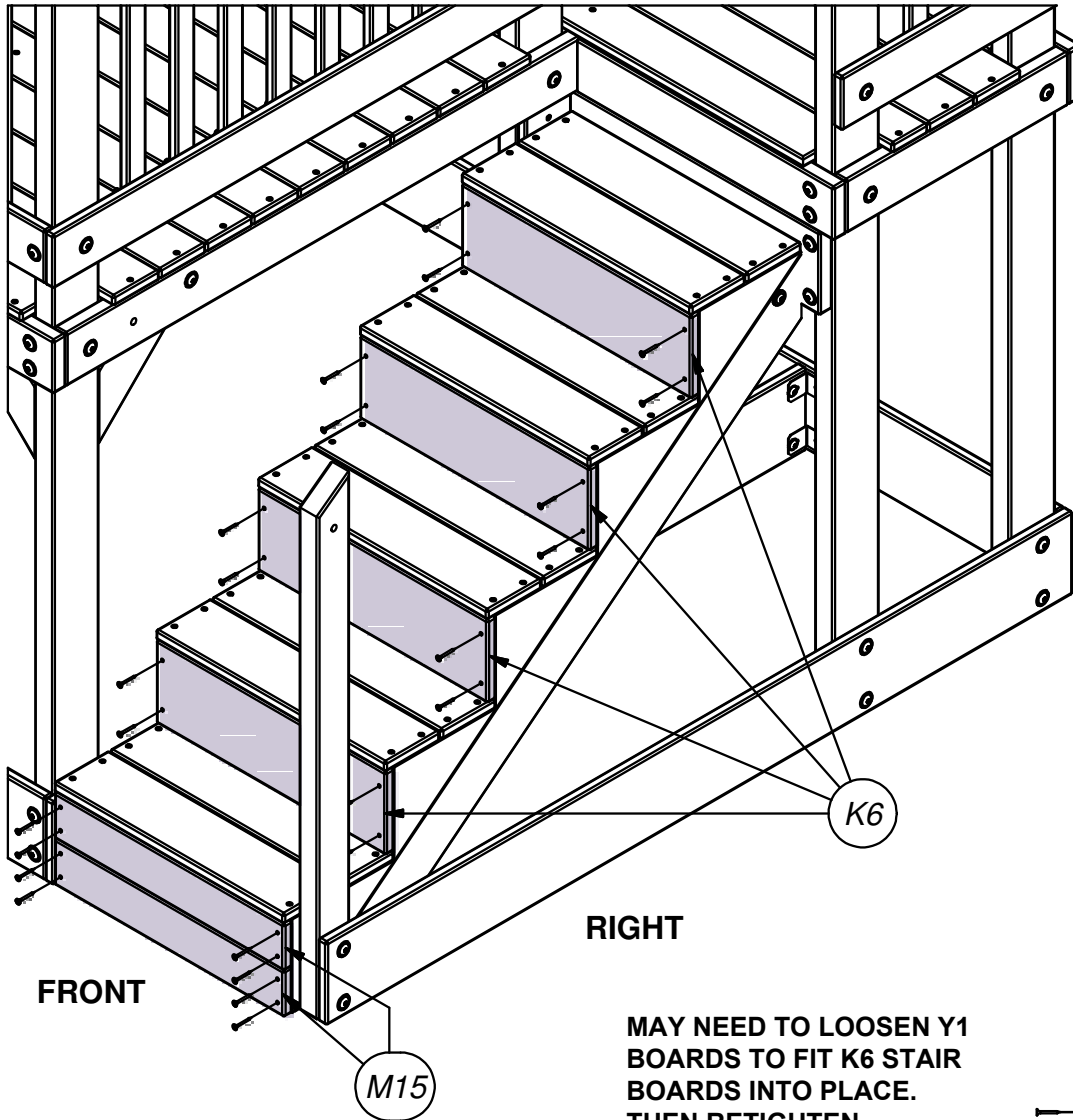
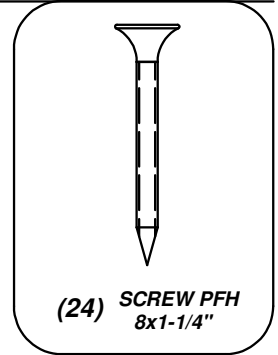


(4) **K6 - STAIR BOARD - W4L21033**
5/8"x5 1/4"x16 7/8" (16x132x430)



(2) **M15 - STAIR BOARD - W4L21034**
5/8"x2 7/8"x16 15/16" (16x73x430)

STEP 26

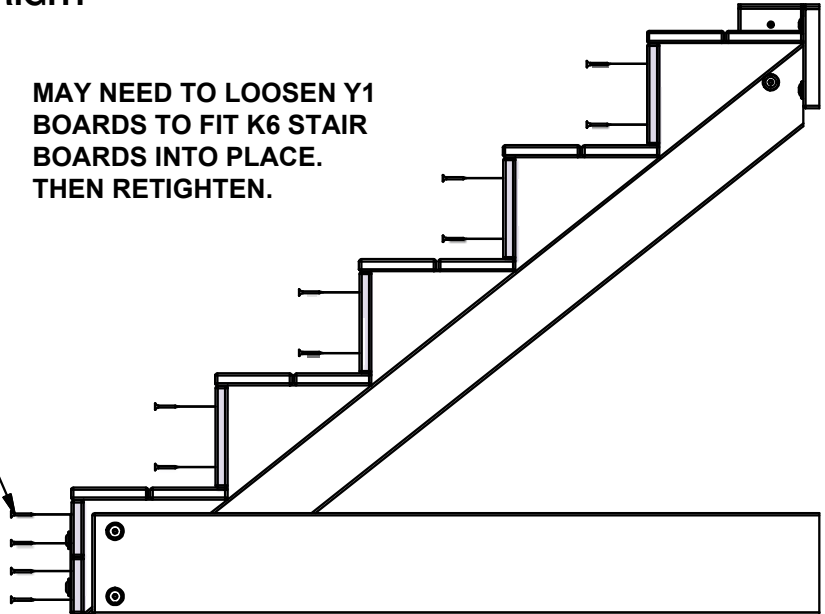


RIGHT

FRONT

**MAY NEED TO LOOSEN Y1
BOARDS TO FIT K6 STAIR
BOARDS INTO PLACE.
THEN RETIGHTEN.**

**SCREW PFH 8x1-1/4"
(24 PLCS)**





(1) **E7 - HANDRAIL BLOCK - W4L06678**
 1 3/8"x3 3/8"x1" (36x86x26)



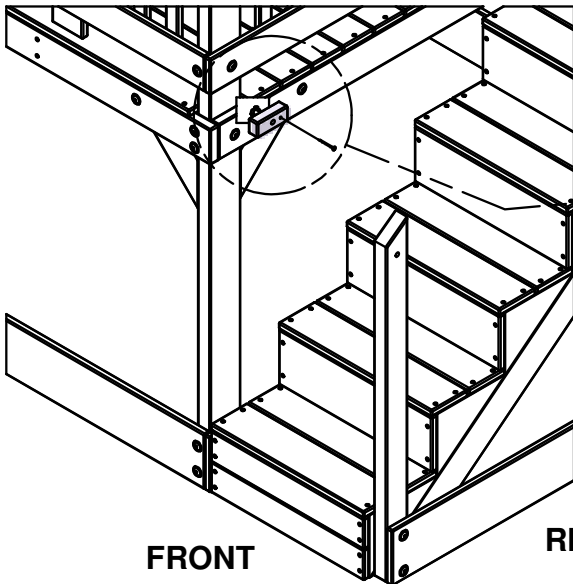
(1) **W1 - HANDRAIL BLOCK - W4L06677**
 2"x3 3/8"x3 3/8" (50x86x86)



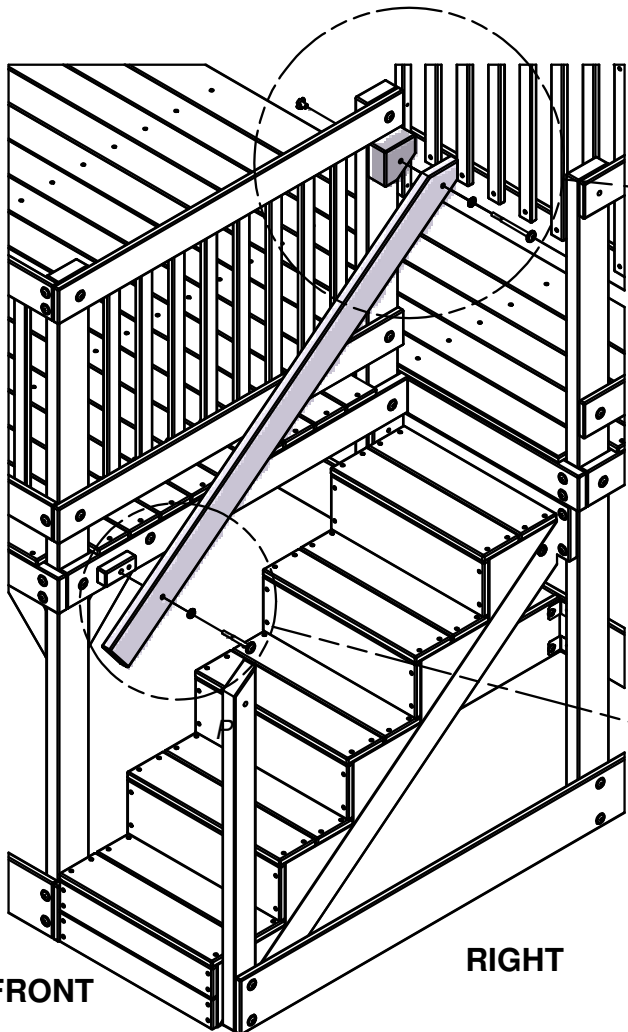
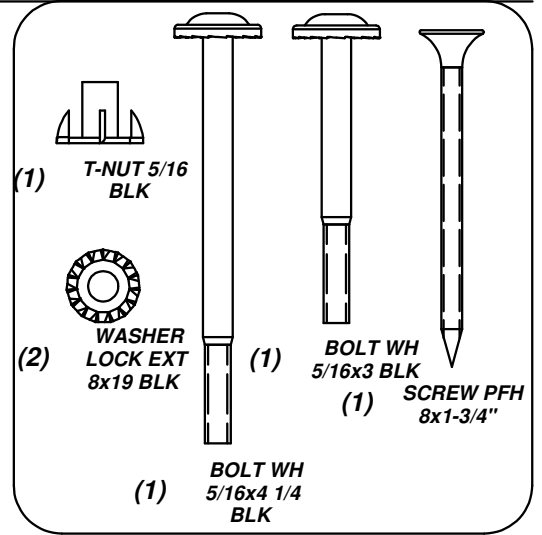
(1) **H14 - STAIR HAND RAIL - W4L06679**
 1"x3 3/8"x47 3/8" (24x86x1204)

STEP 27

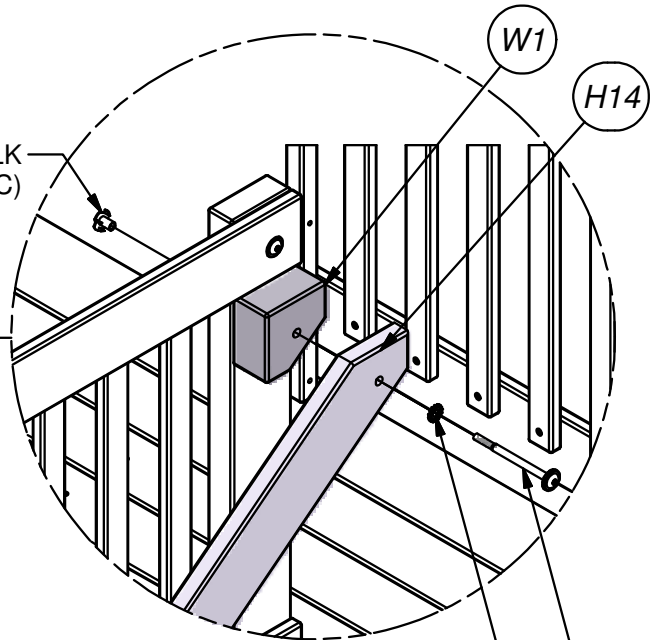
PREVIOUSLY INSTALLED T-NUT.



SCREW PFH 8x1-3/4"
 (1 PLC)

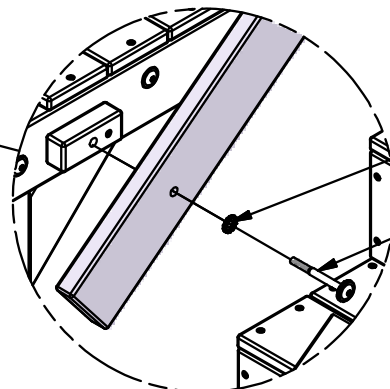


T-NUT 5/16 BLK
 (1 PLC)



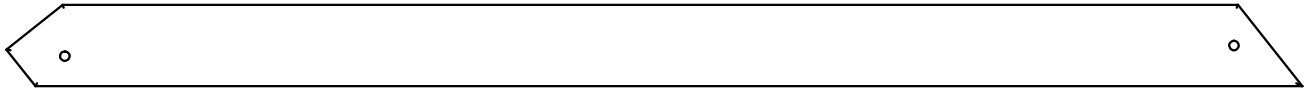
WASHER LOCK EXT 8x19 BLK
 (1 PLC)

BOLT WH 5/16x4 1/4 BLK
 (1 PLC)



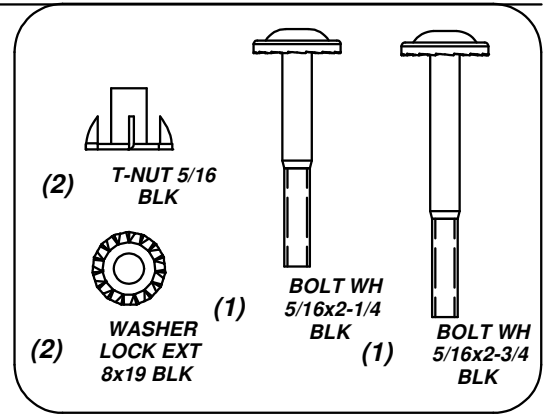
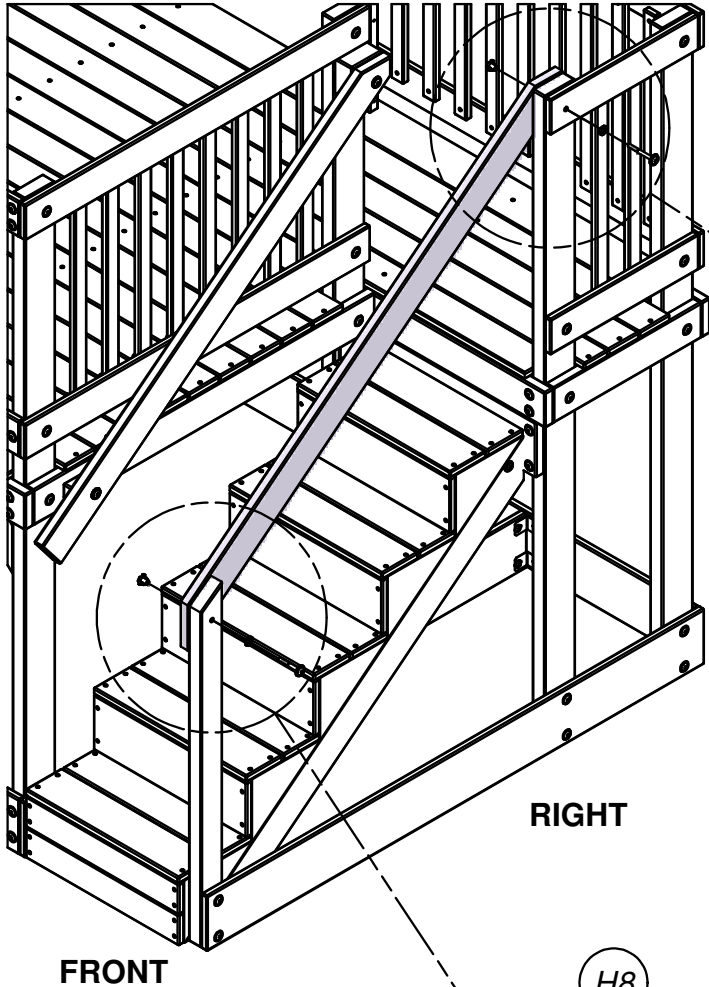
WASHER LOCK EXT 8x19 BLK
 (1 PLC)

BOLT WH 5/16x3 BLK
 (1 PLC)



(1) **H8 - STAIR HAND RAIL - W4L06663**
1"x3 3/8"x54" (24x86x1372)

STEP 28



FRONT

RIGHT

H8

T-NUT 5/16 BLK
(1 PLC)

WASHER LOCK EXT 8x19 BLK
(1 PLC)

BOLT WH 5/16x2-3/4 BLK
(1 PLC)

T-NUT 5/16 BLK
(1 PLC)

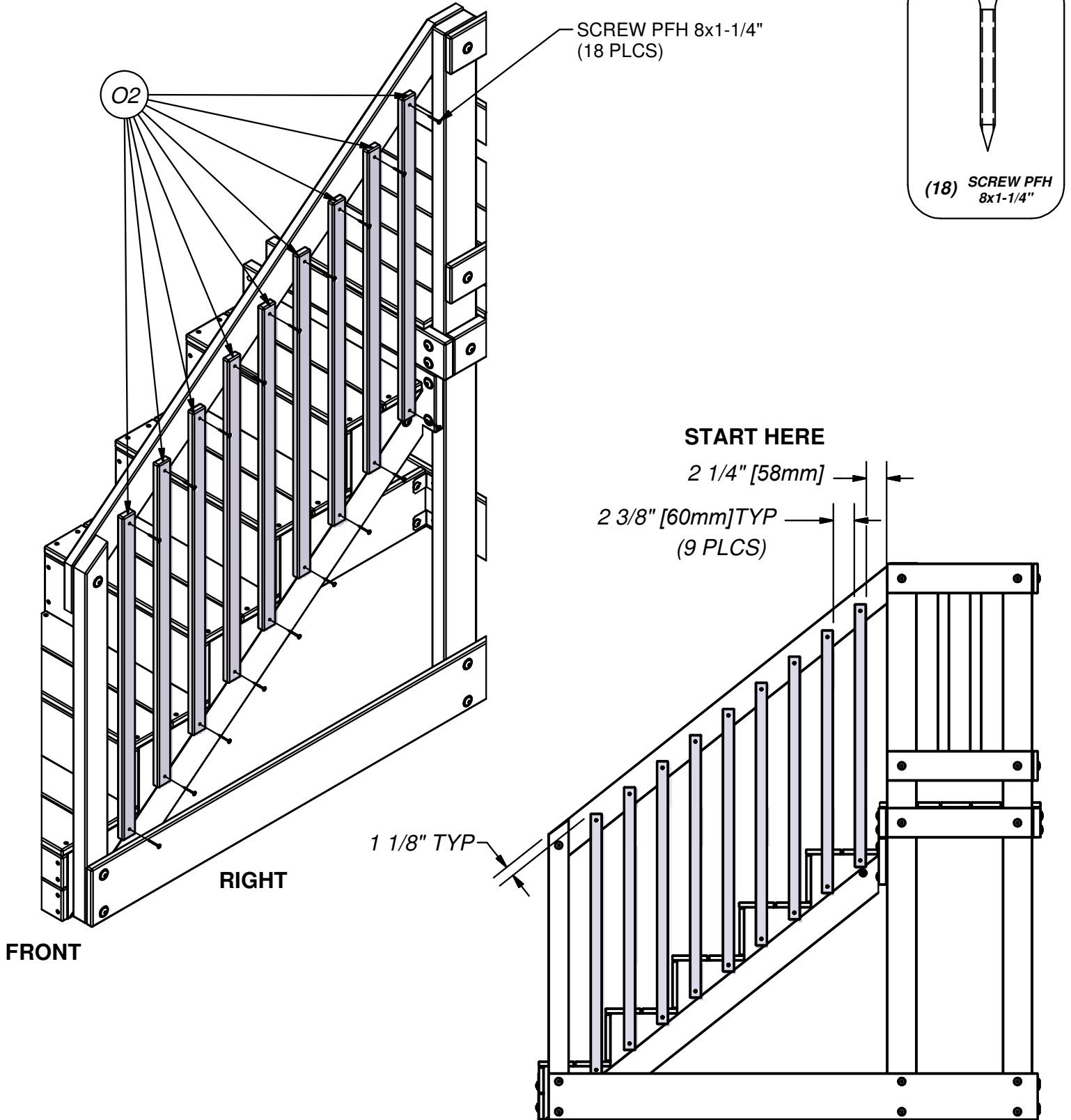
WASHER LOCK EXT 8x19 BLK
(1 PLC)

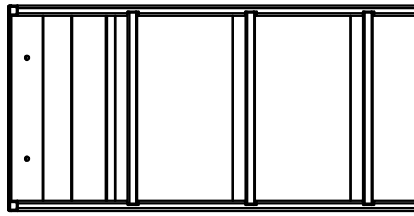
BOLT WH 5/16x2-1/4 BLK
(1 PLC)



(9) O2 - PICKET - W4L06676
5/8"x1 3/8"x29 1/2" (16x34x750)

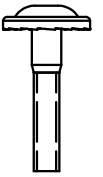
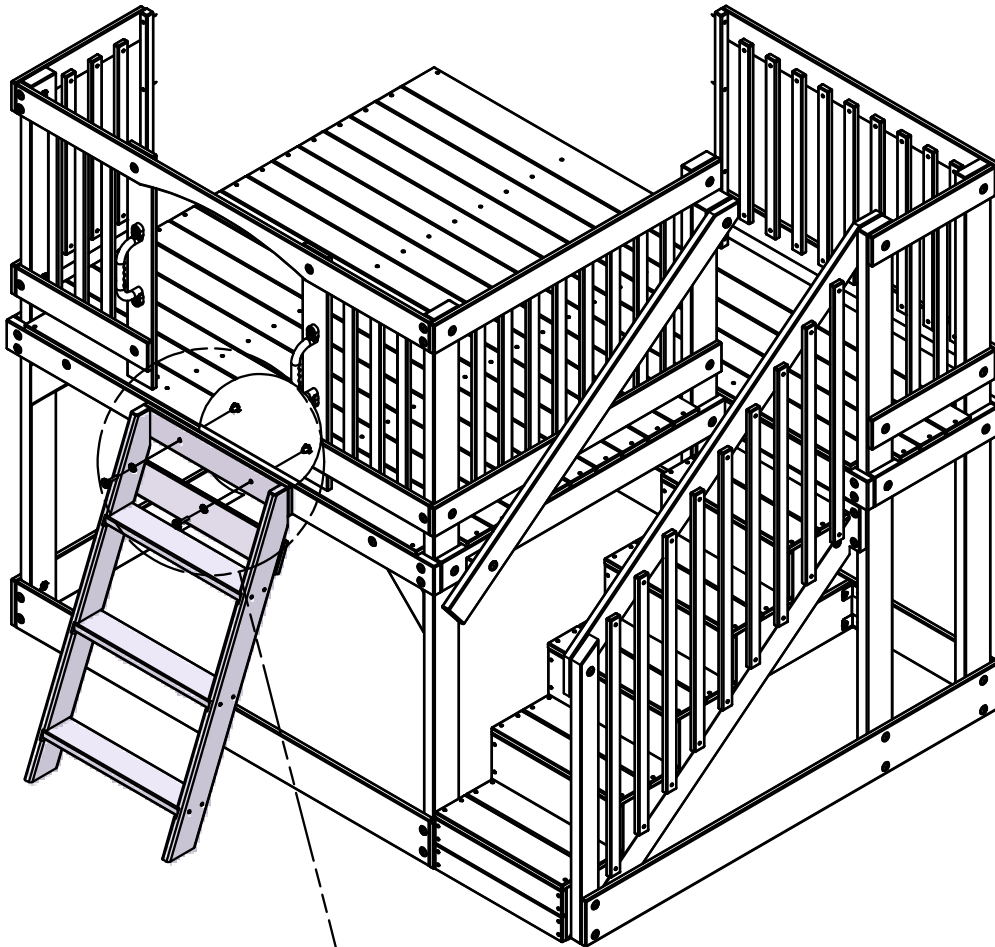
STEP 29





(1) 3 FT LADDER ASSEMBLY

STEP 30



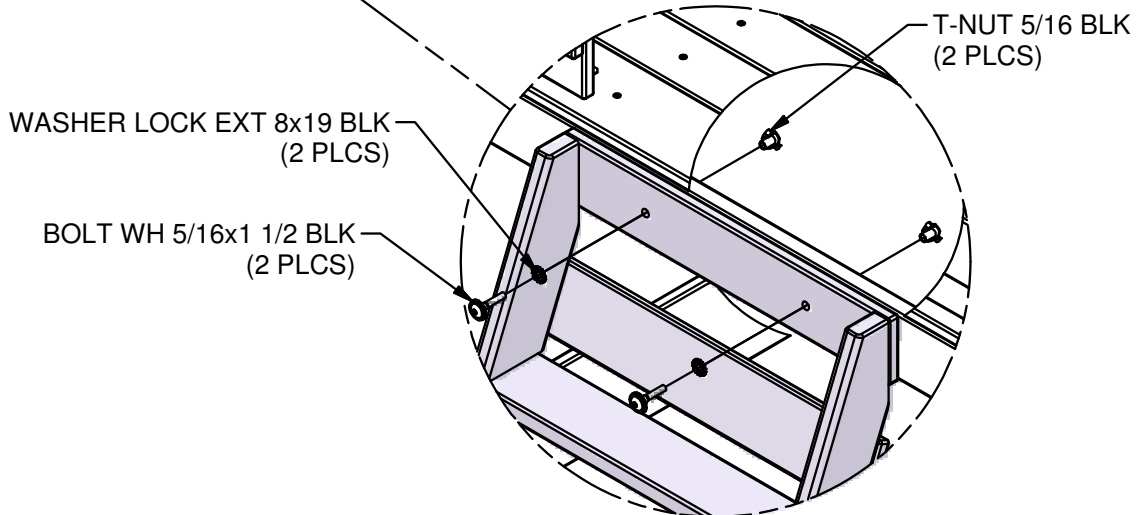
(2) BOLT WH
5/16x1 1/2
BLK

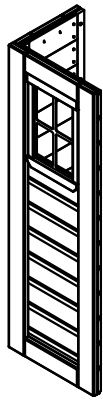


(2) WASHER
LOCK EXT
8x19 BLK

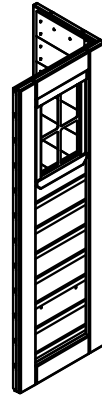


(2) T-NUT 5/16
BLK





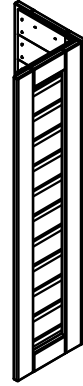
(1) WP1 - FRONT RIGHT CORNER PANEL - W2A01911



(1) WP2 - REAR RIGHT CORNER PANEL - W2A01914



(1) WP3 - FRONT LEFT CORNER PANEL - W2A01917

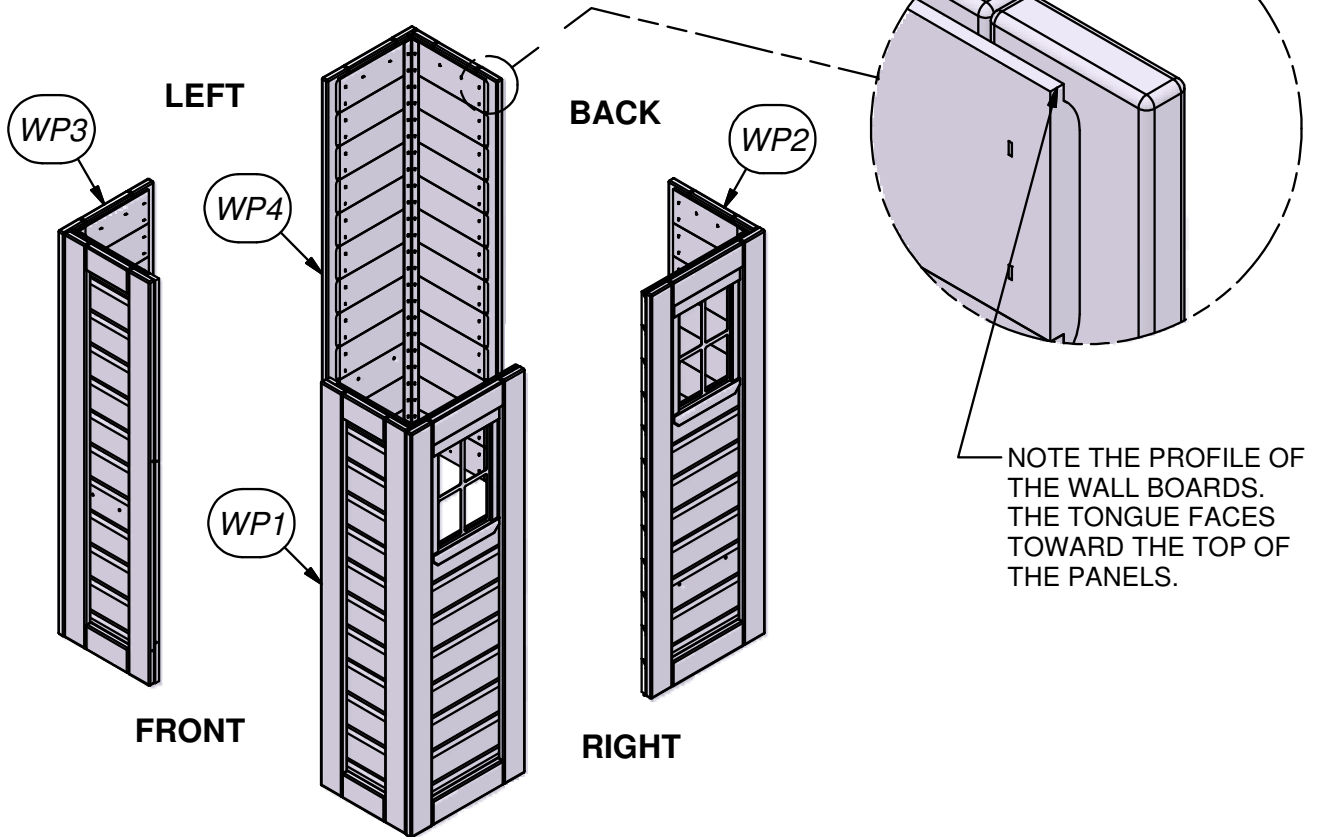


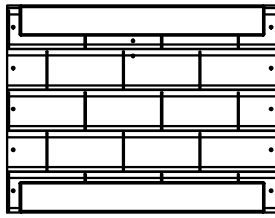
(1) WP4 - REAR LEFT CORNER PANEL - W2A01920

Playhouse Assembly

STEP 31

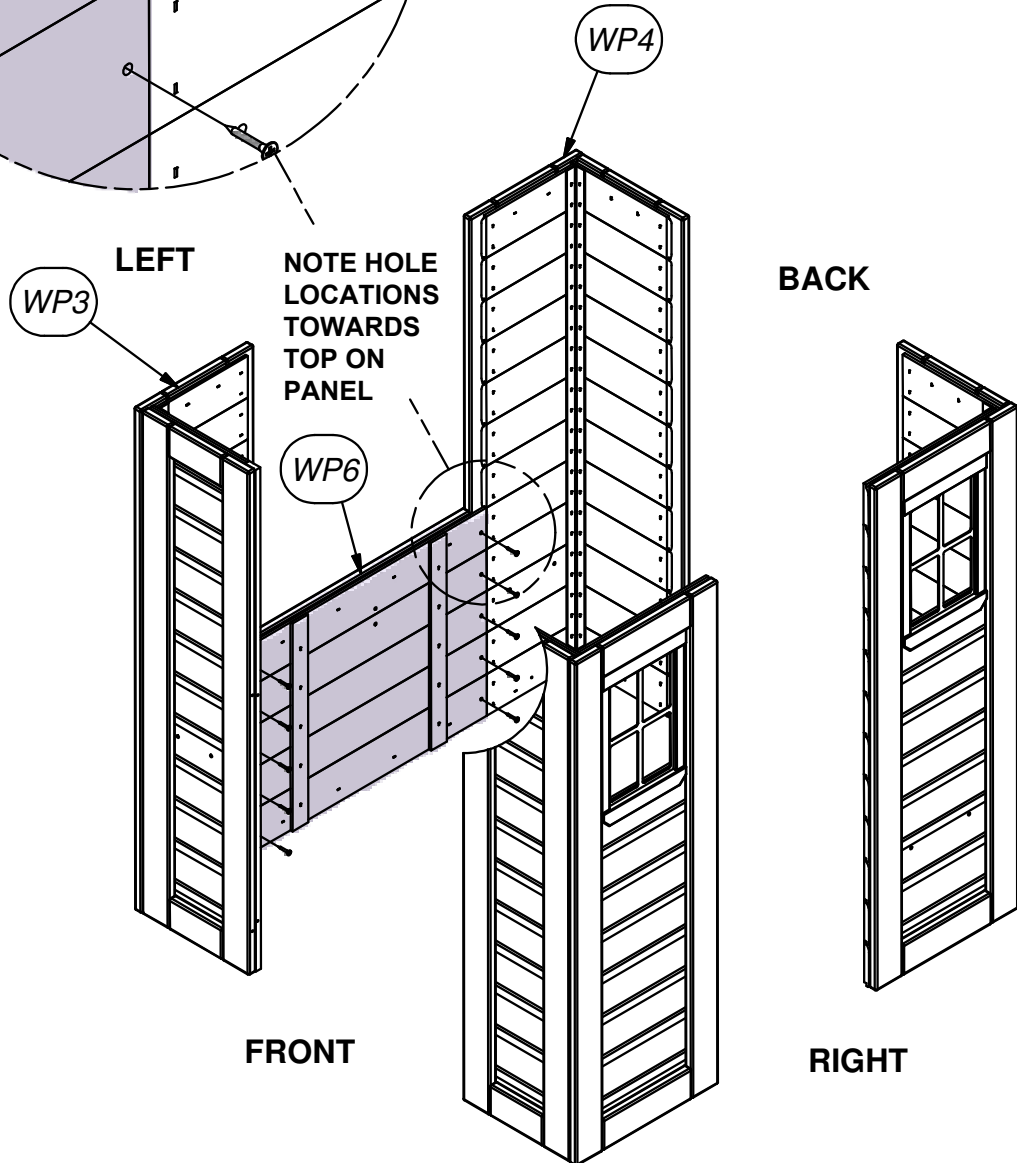
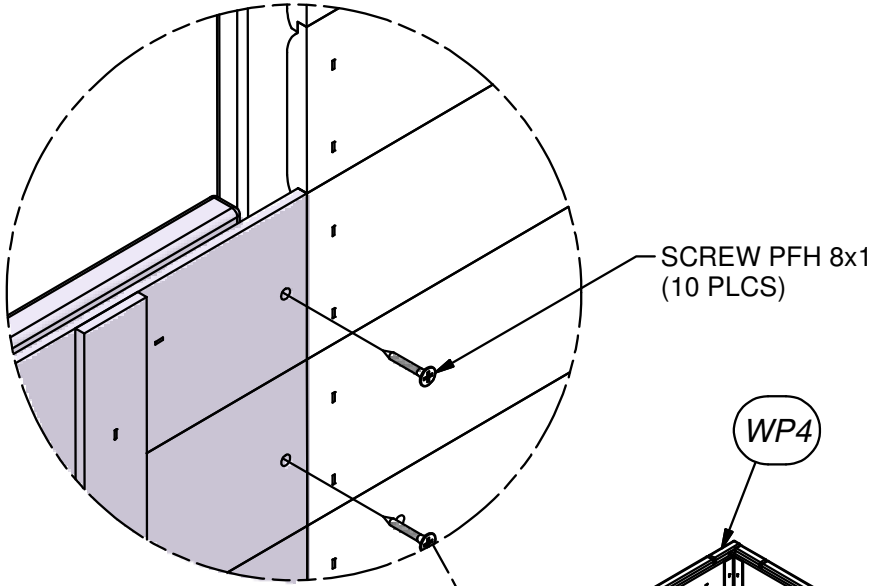
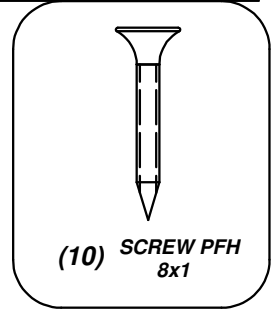
STAND THE (4) CORNER WALL ASSEMBLIES AS SHOWN BELOW.

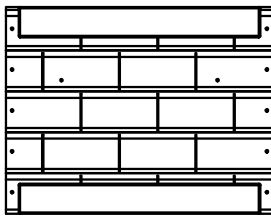




(1) WP6 - LEFT CENTER PANEL - W2A01924

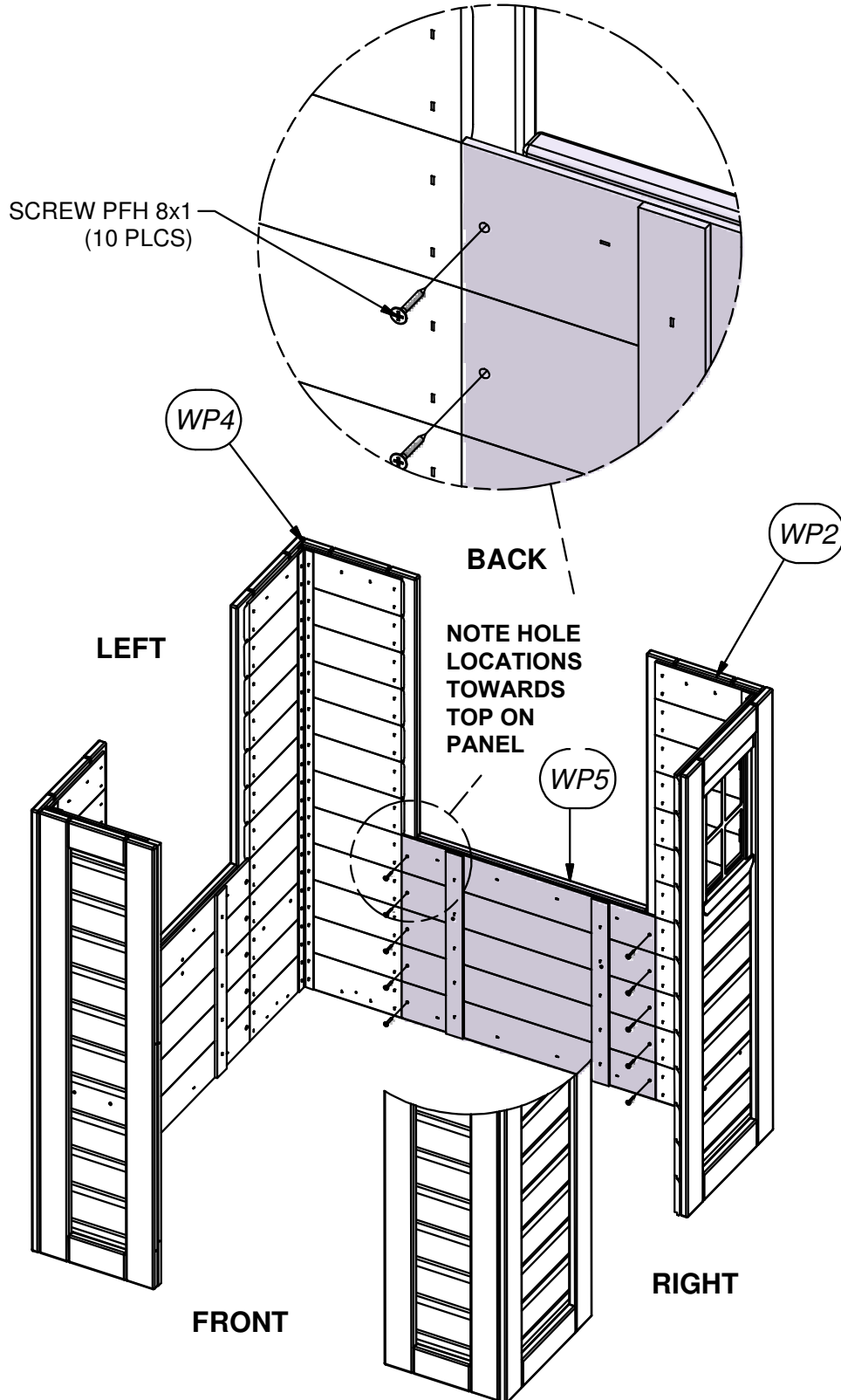
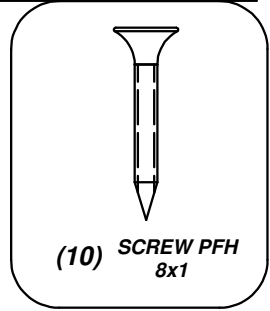
STEP 32

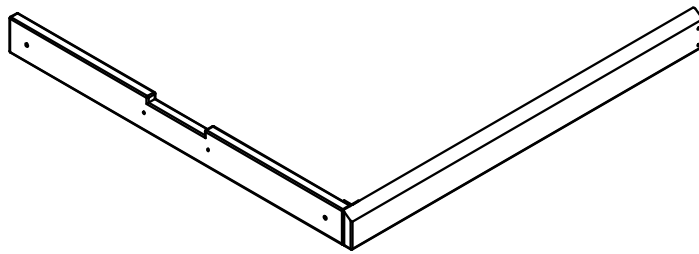




(1) WP5 - REAR CENTER PANEL - W2A01922

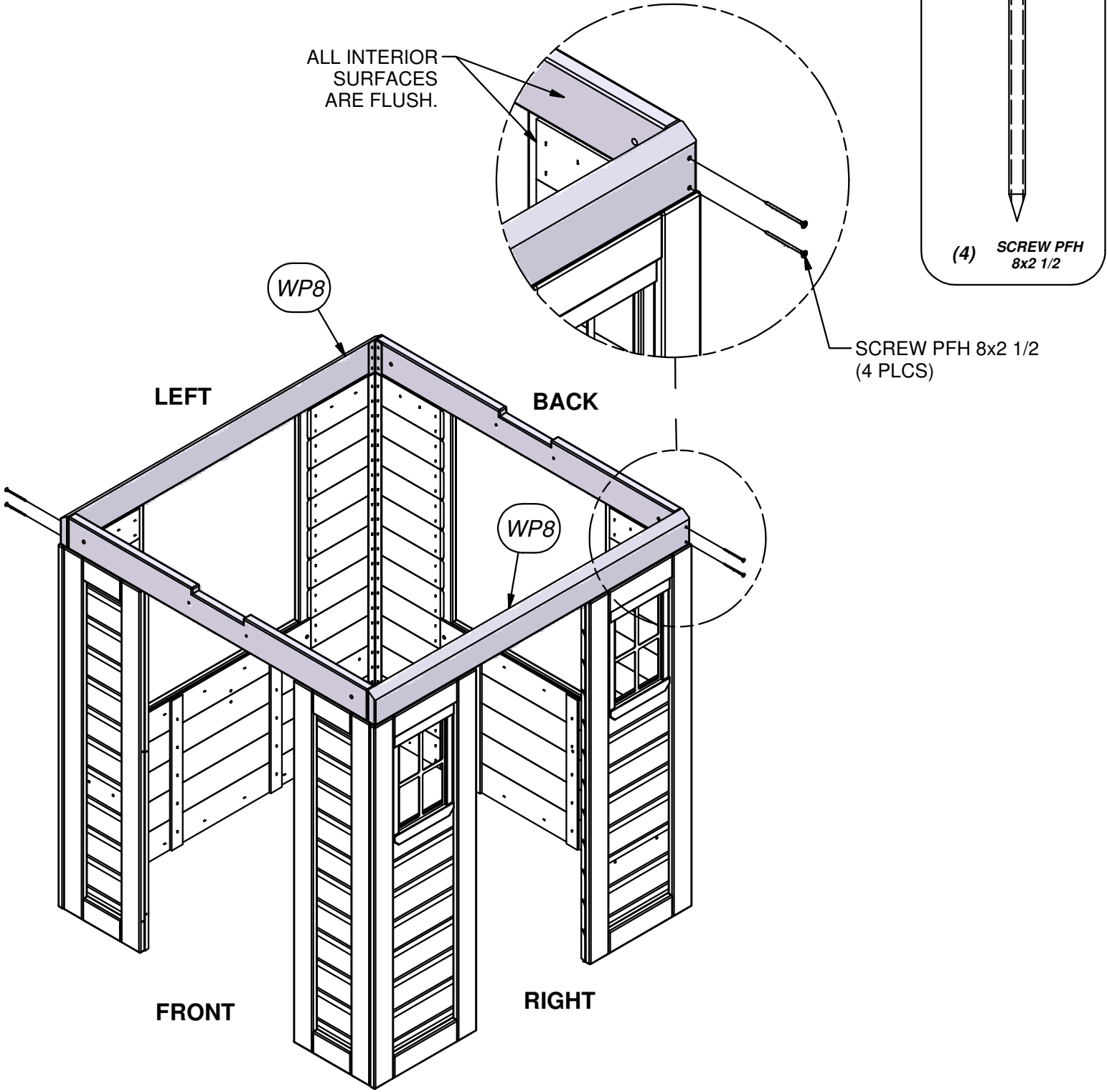
STEP 33

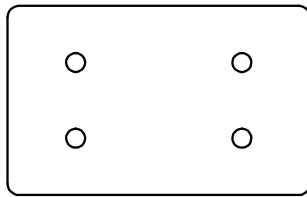




(2) WP8 - HEADER ASSEMBLY - W2A01926

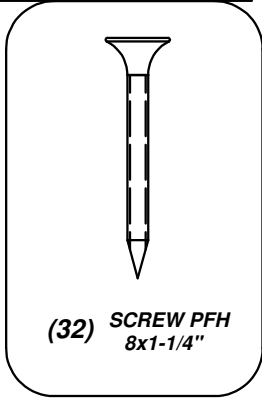
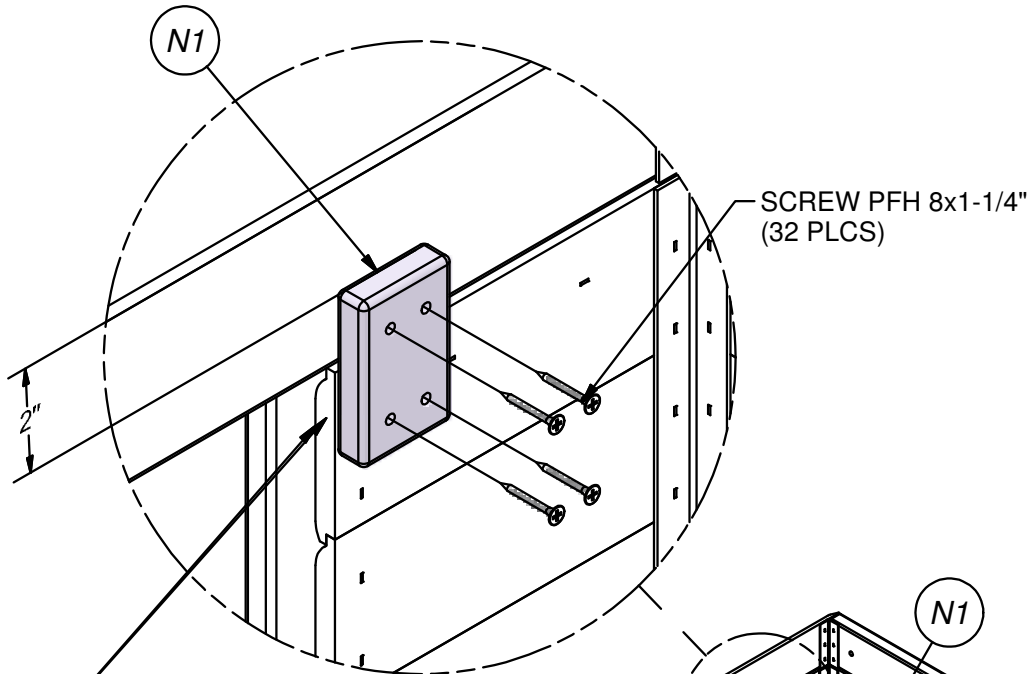
STEP 34



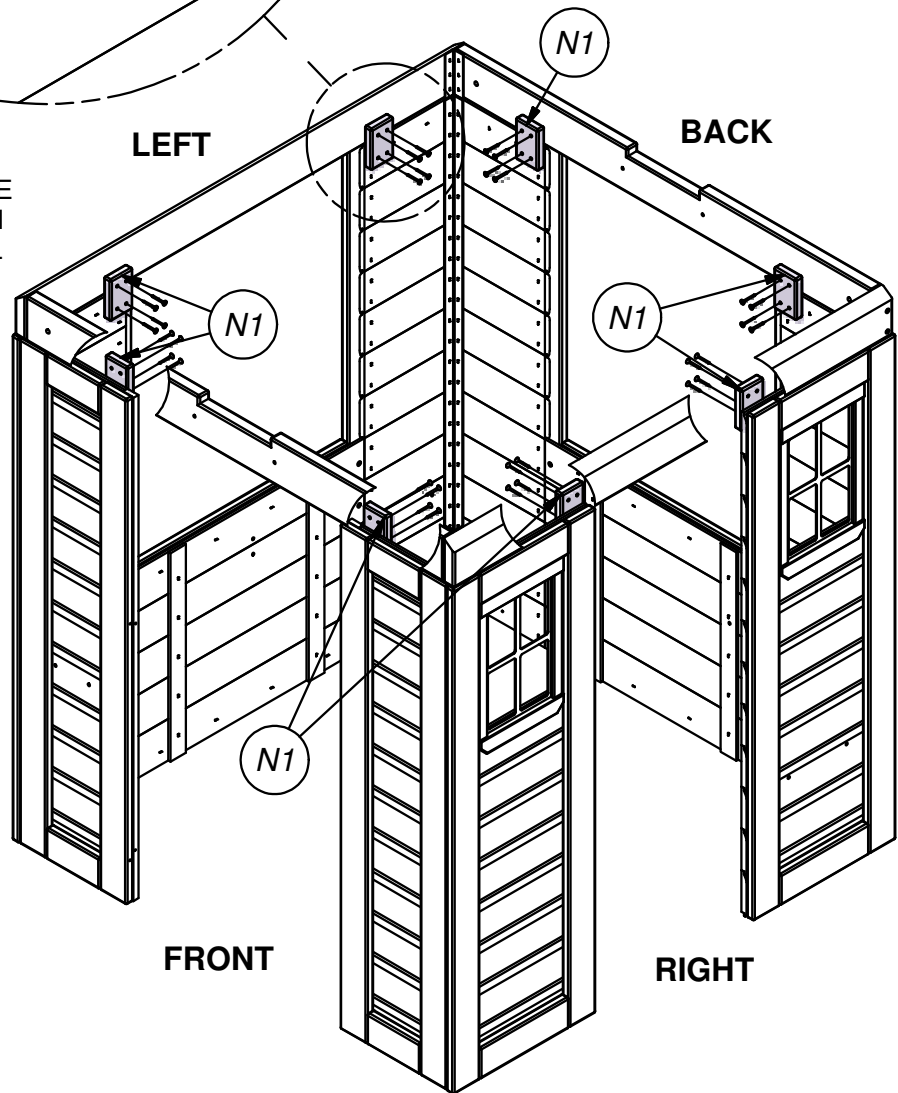


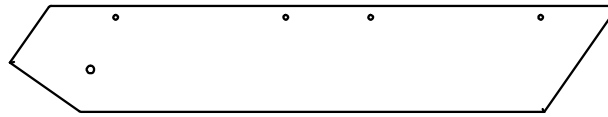
(8) N1 - TIE STRAP - W4L05043
5/8"x2"x3 1/8" (16x50x80)

STEP 35



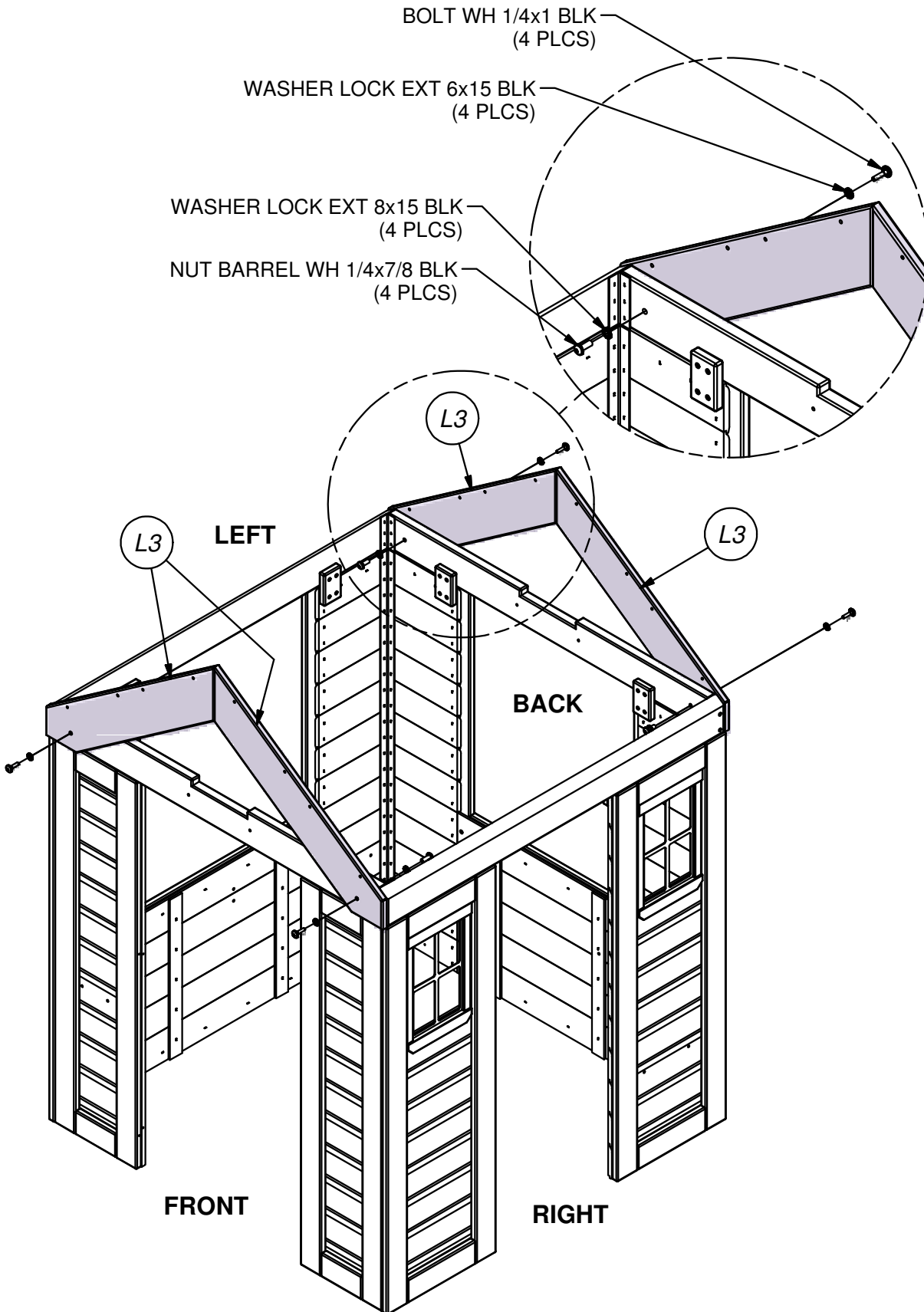
INSTALL WITH THE EDGE SURFACE OF 'N1' FLUSH WITH THE END OF WALL BOARD, AS SHOWN. PREDRILL USING 1/8" [3mm] DRILL BIT.





(4) **L3 - GABLE BOARD - W4L06412**
5/8"x4 3/8"x25 3/8" (16x112x644)

STEP 36

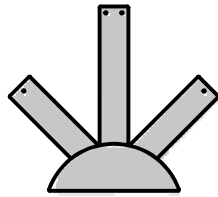


(4) **BOLT WH 1/4x1 BLK**

(4) **WASHER LOCK EXT 6x15 BLK**

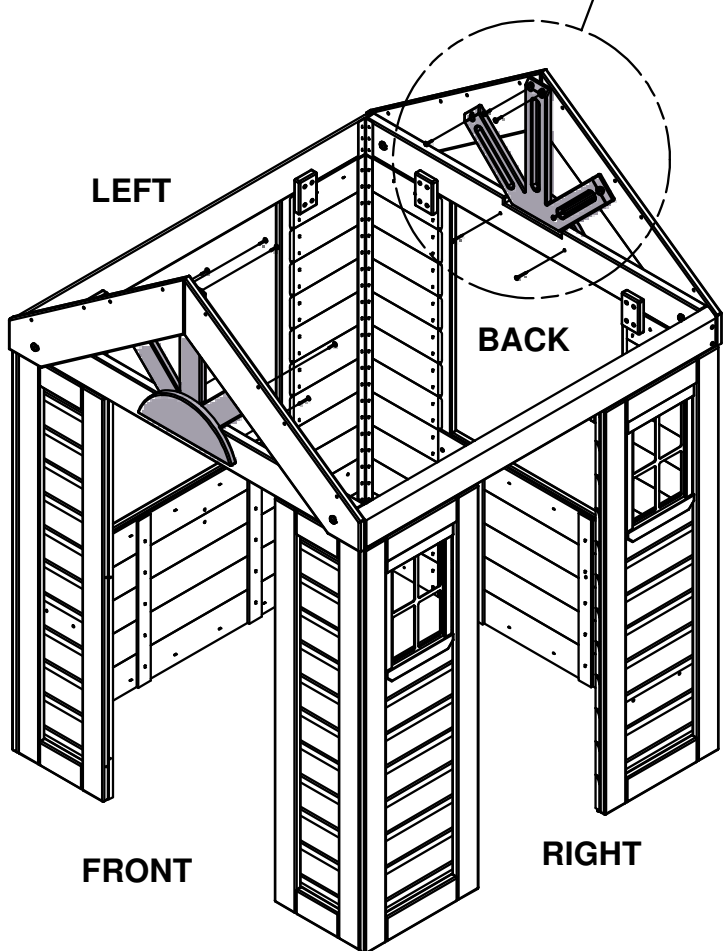
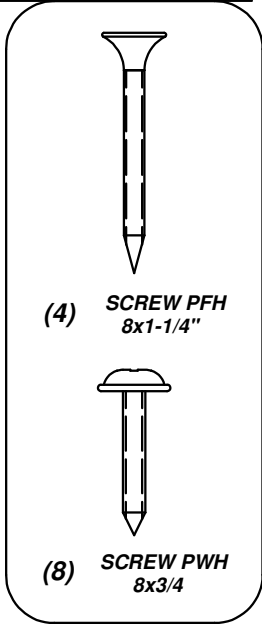
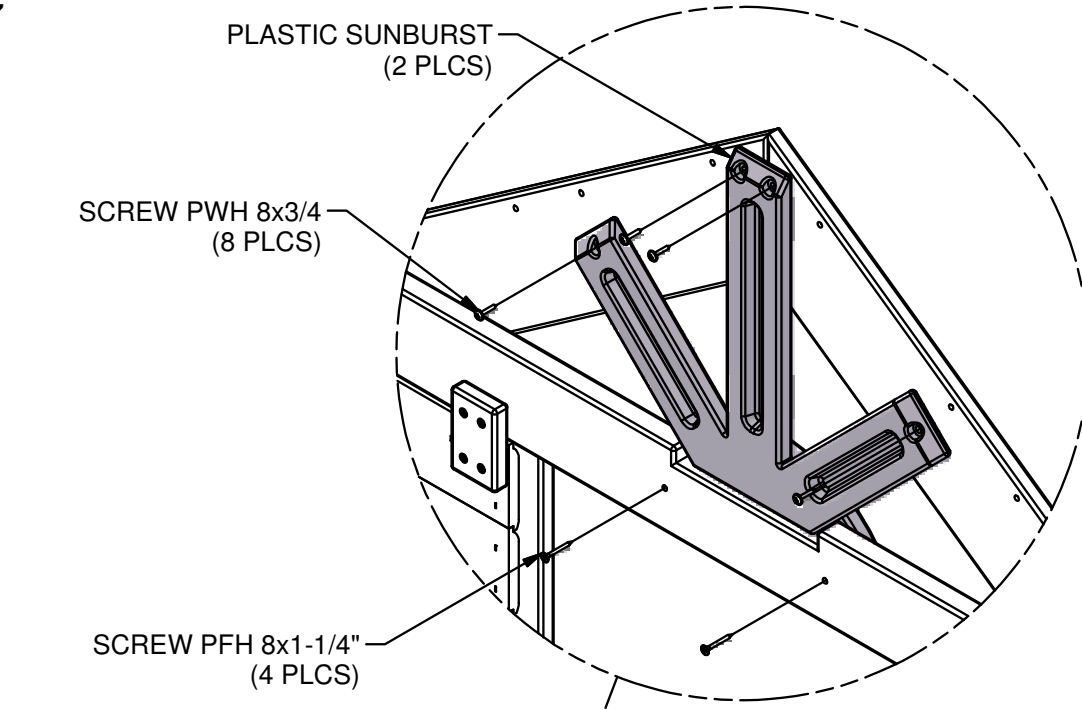
(4) **WASHER LOCK EXT 8x15 BLK**

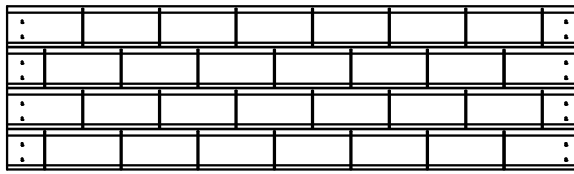
(4) **NUT BARREL WH 1/4x7/8 BLK**



(2) - PLASTIC SUNBURST - A100361

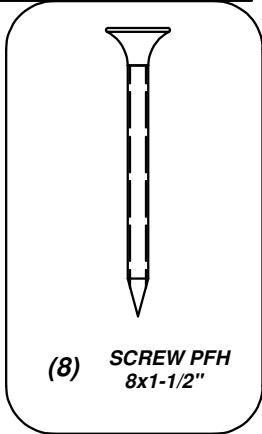
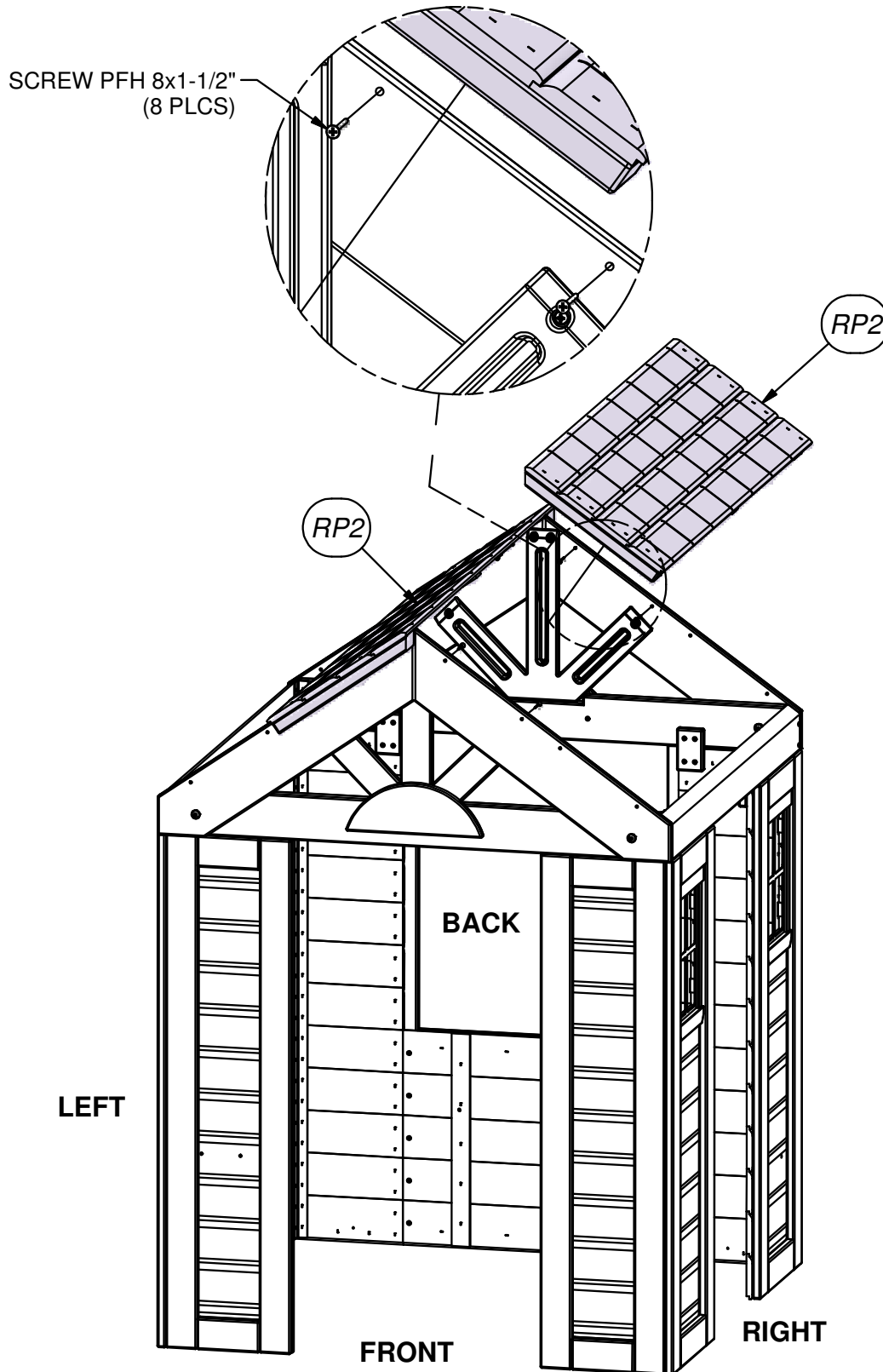
STEP 37

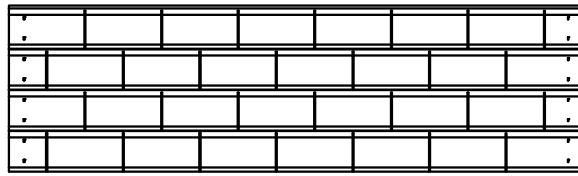




(2) RP2 - UPPER ROOF PANEL - W2A01930

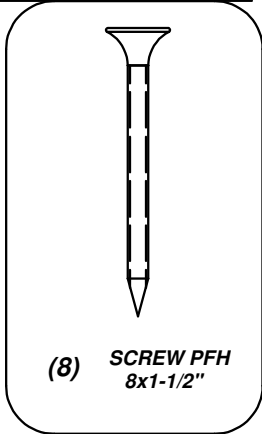
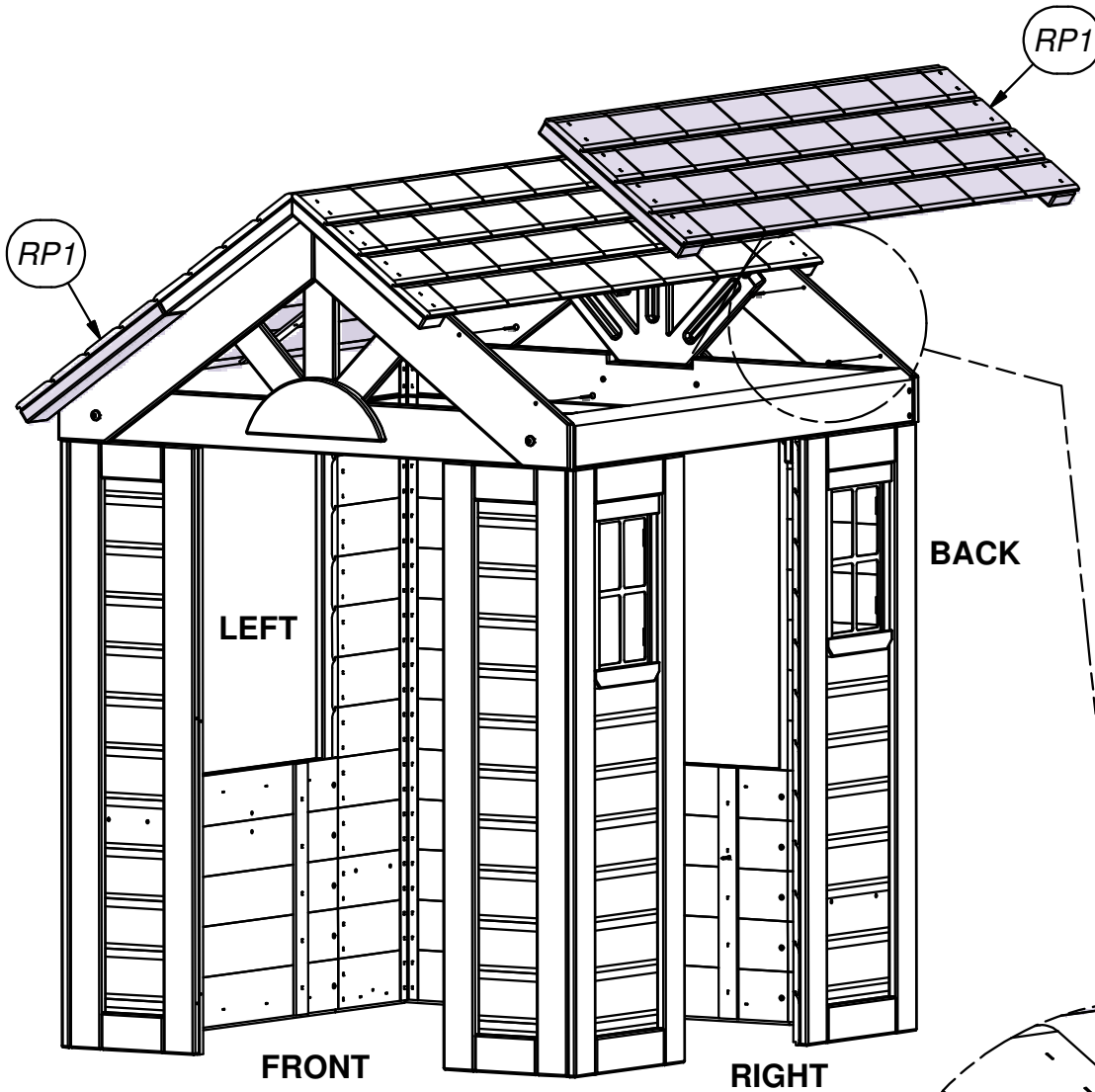
STEP 38



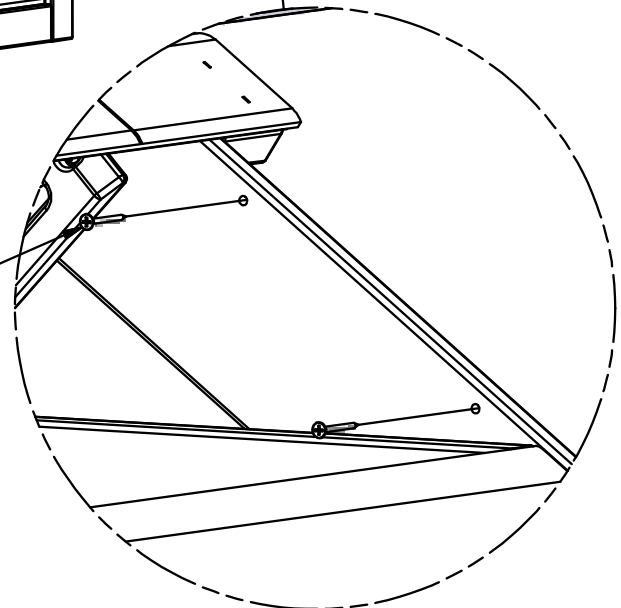


(2) RP1 - LOWER ROOF PANEL - W2A01929

STEP 39



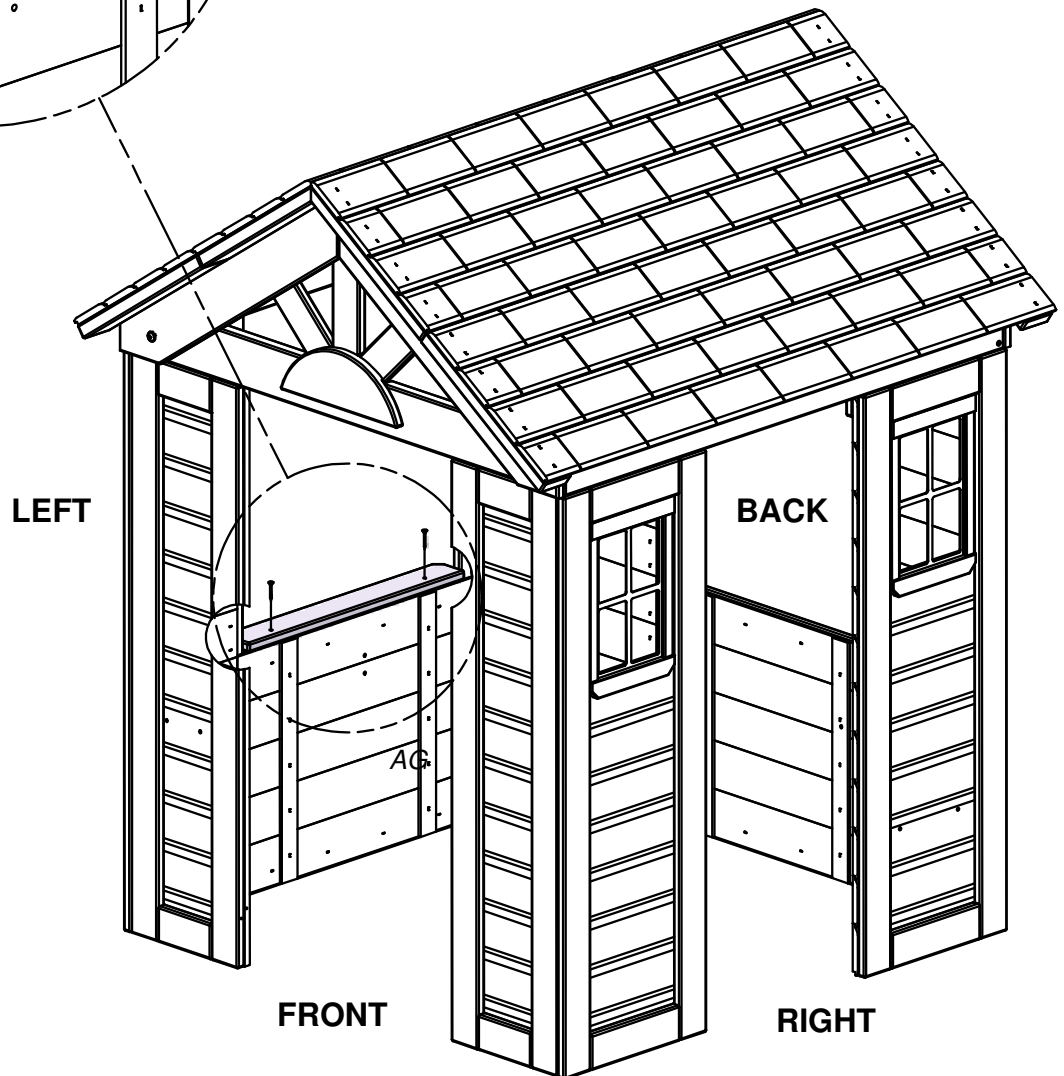
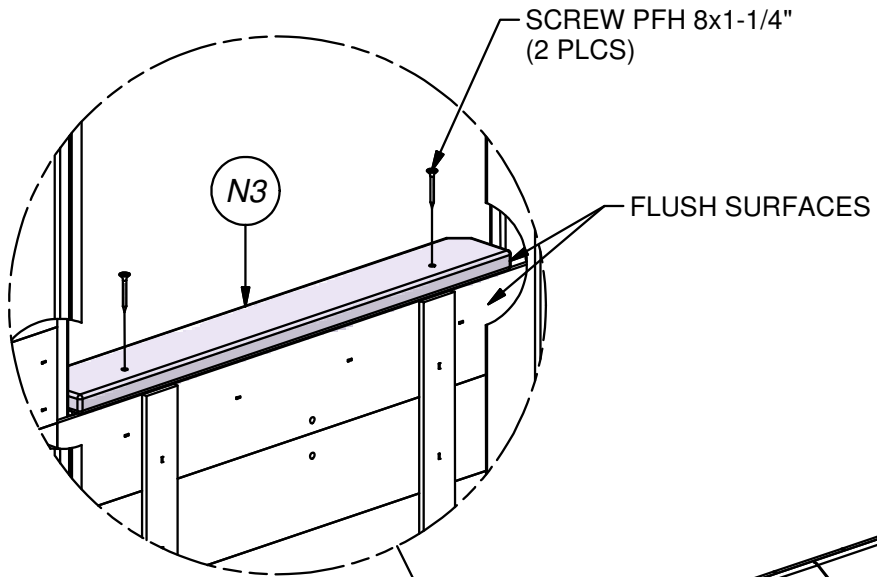
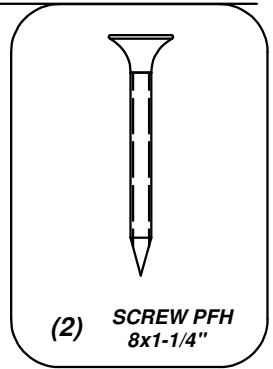
SCREW PFH 8x1-1/2"
(8 PLCS)

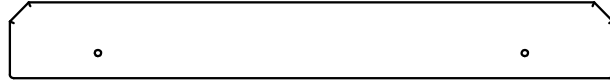




(1) **N3 - LEFT WINDOW SHELF - W4L06415**
5/8"x2 3/8"x19 1/8" (16x60x485)

STEP 40

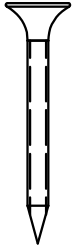
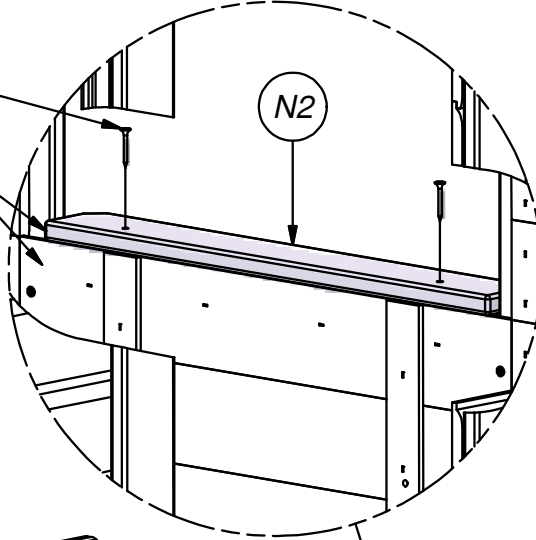




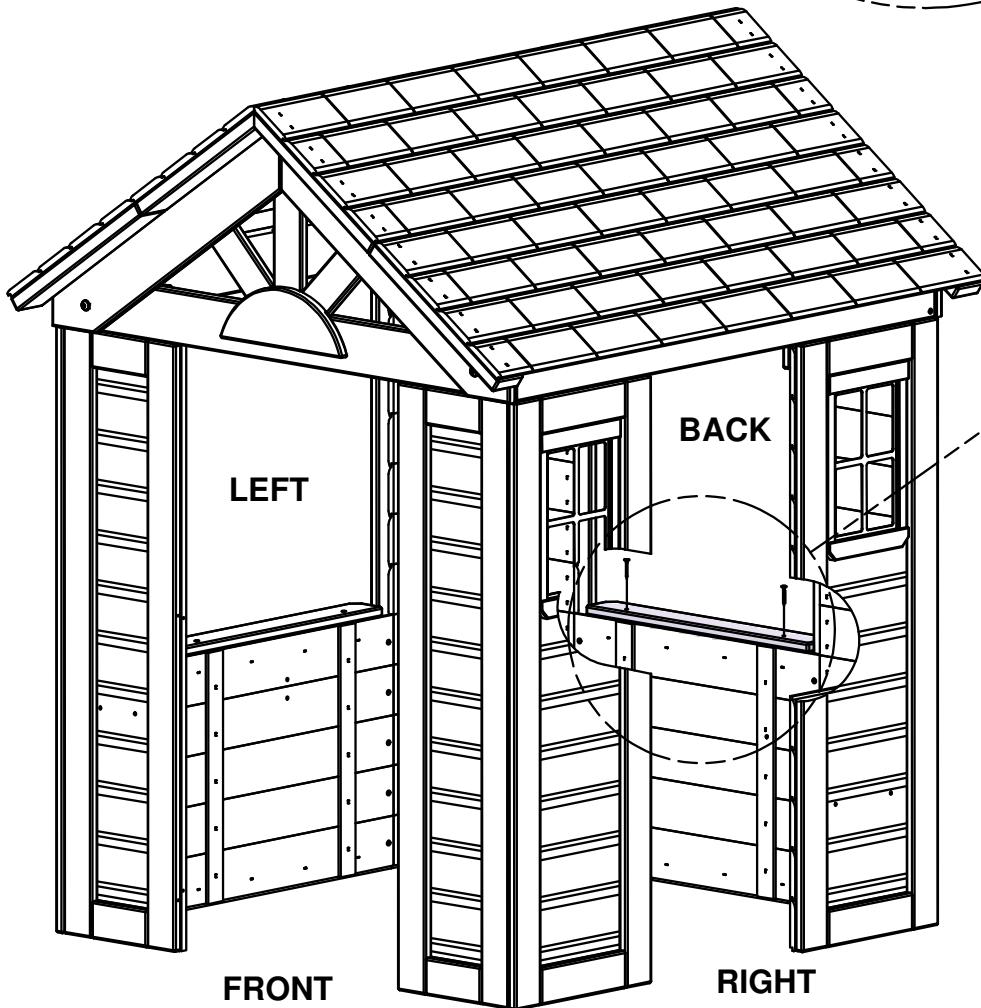
(1) **N2 - REAR WINDOW SHELF - W4L06414**
5/8"x2 3/8"x18 7/8" (16x60x479)

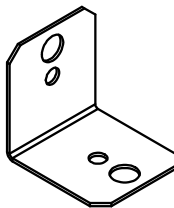
STEP 41

SCREW PFH 8x1-1/4"
(2 PLCS)
FLUSH SURFACES



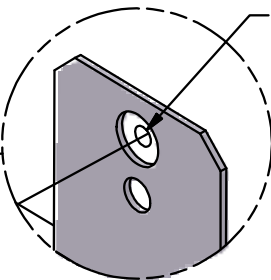
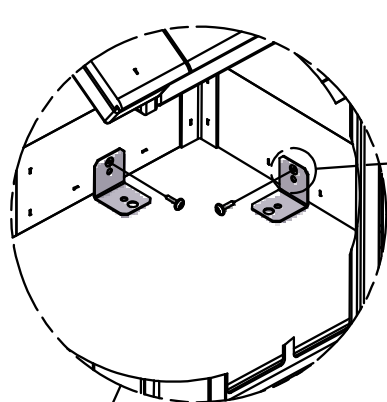
(2) **SCREW PFH**
8x1-1/4"





(8) - 90° L-BRACKET - BLK - A4M00555

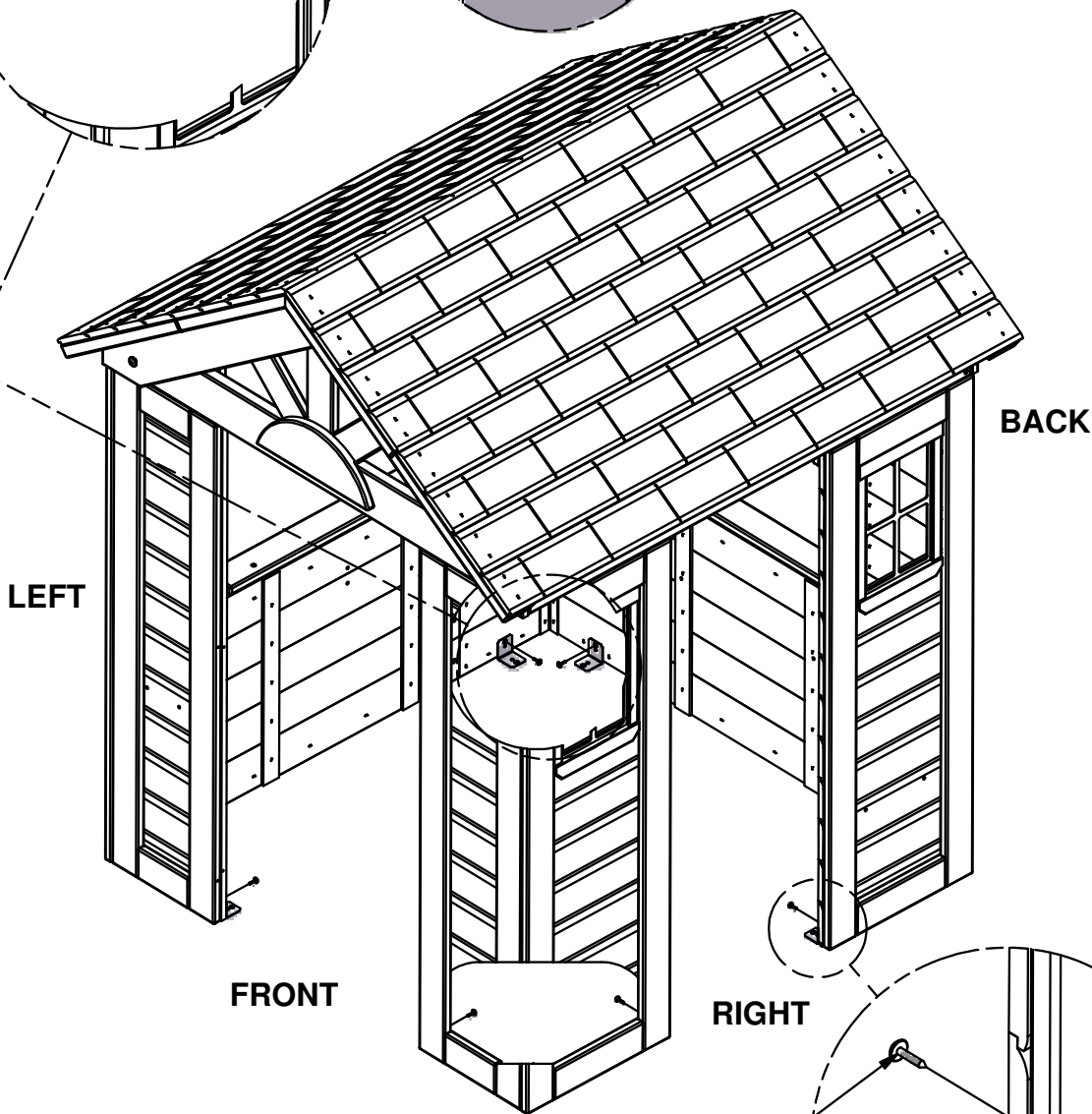
STEP 42



ALIGN BRACKETS WITH PILOT HOLES.



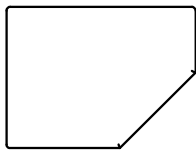
(8) SCREW PWH
8x5/8 BLK



SCREW PWH 8x5/8 BLK
(8 PLCS)

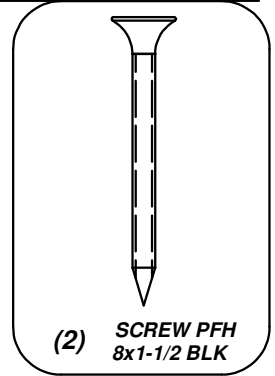
90° L-BRACKET - BLK
(8 PLCS)

EDGES FLUSH IN
DOOR OPENINGS.

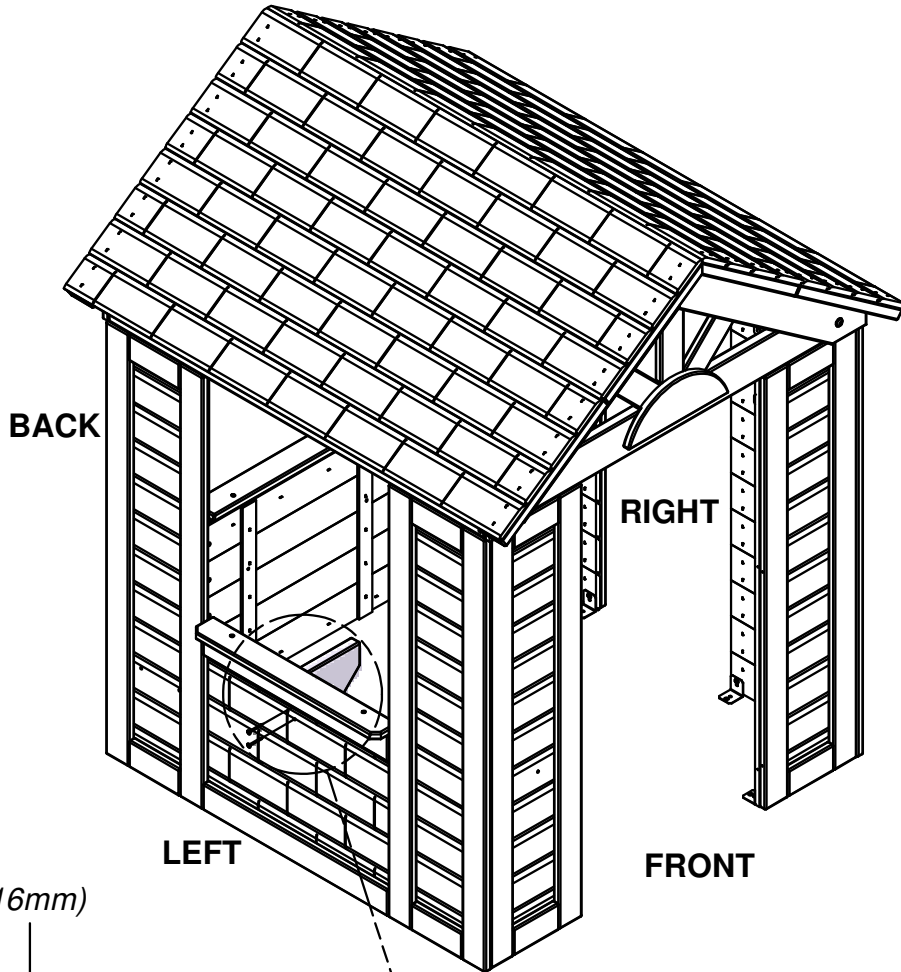


(1) Q1 - COUNTER TOP SUPPORT - W4L06416
1"x4 3/8"x5 7/8" (24x112x150)

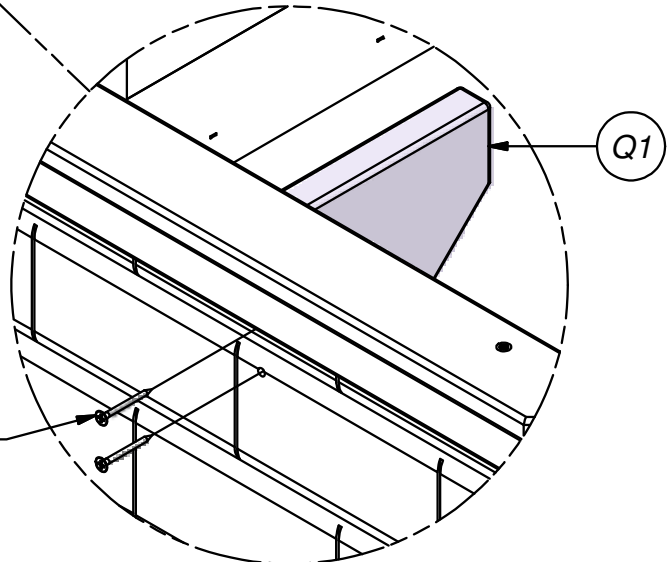
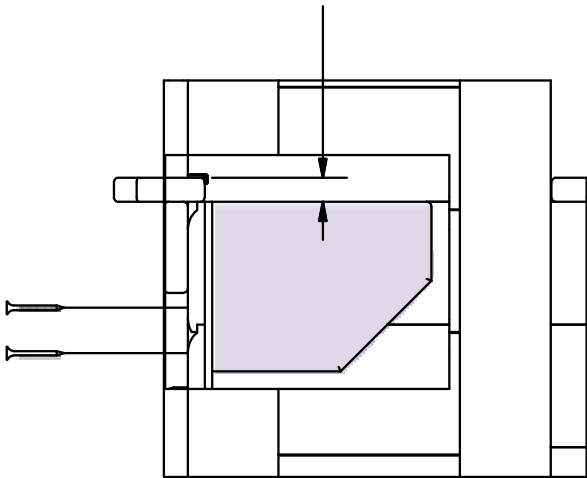
STEP 43



(2) SCREW PFH
8x1-1/2 BLK



DOWN 5/8" (16mm)

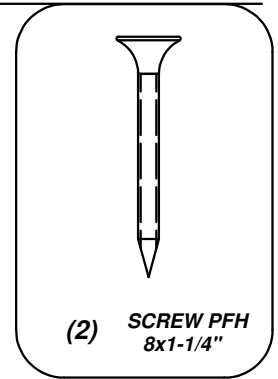


SCREW PFH 8x1-1/2 BLK
(2 PLCS)

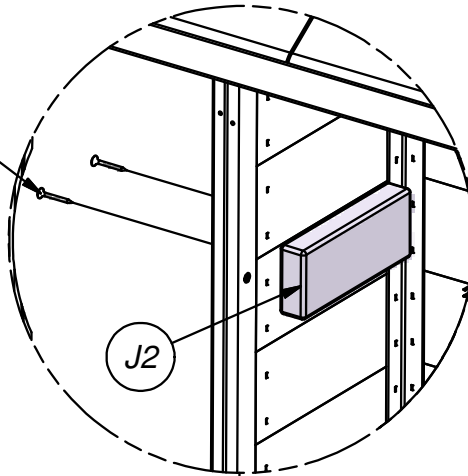


- (1) **J2 - COUNTER TOP SUPPORT - W4L06411**
1"x2 3/8"x5 7/8" (24x60x150)

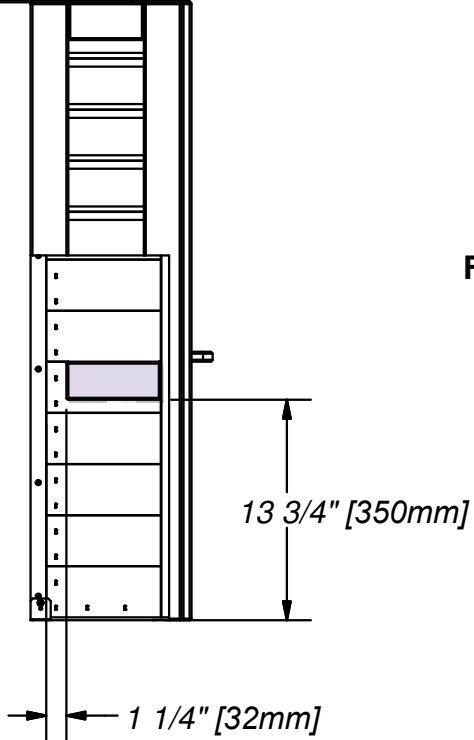
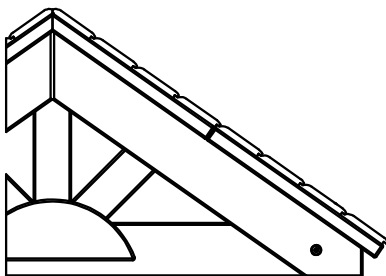
STEP 44



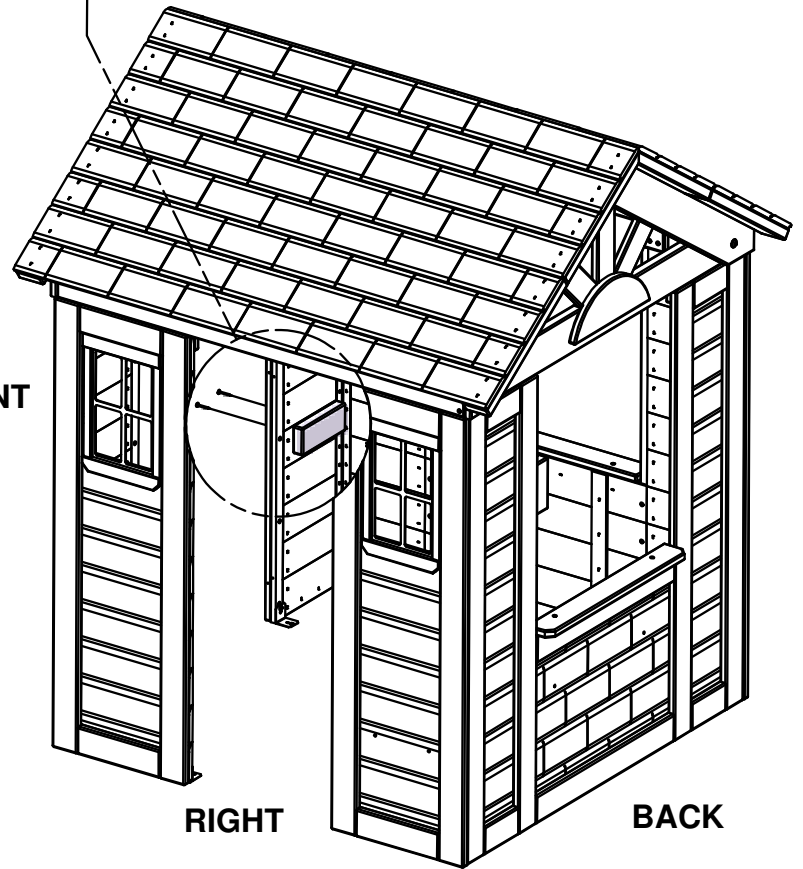
SCREW PFH 8x1-1/4"
(2 PLCS)



J2

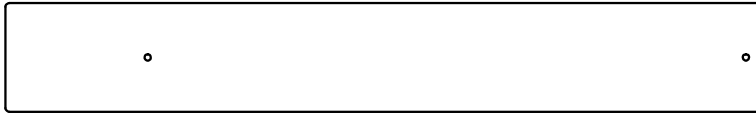


FRONT



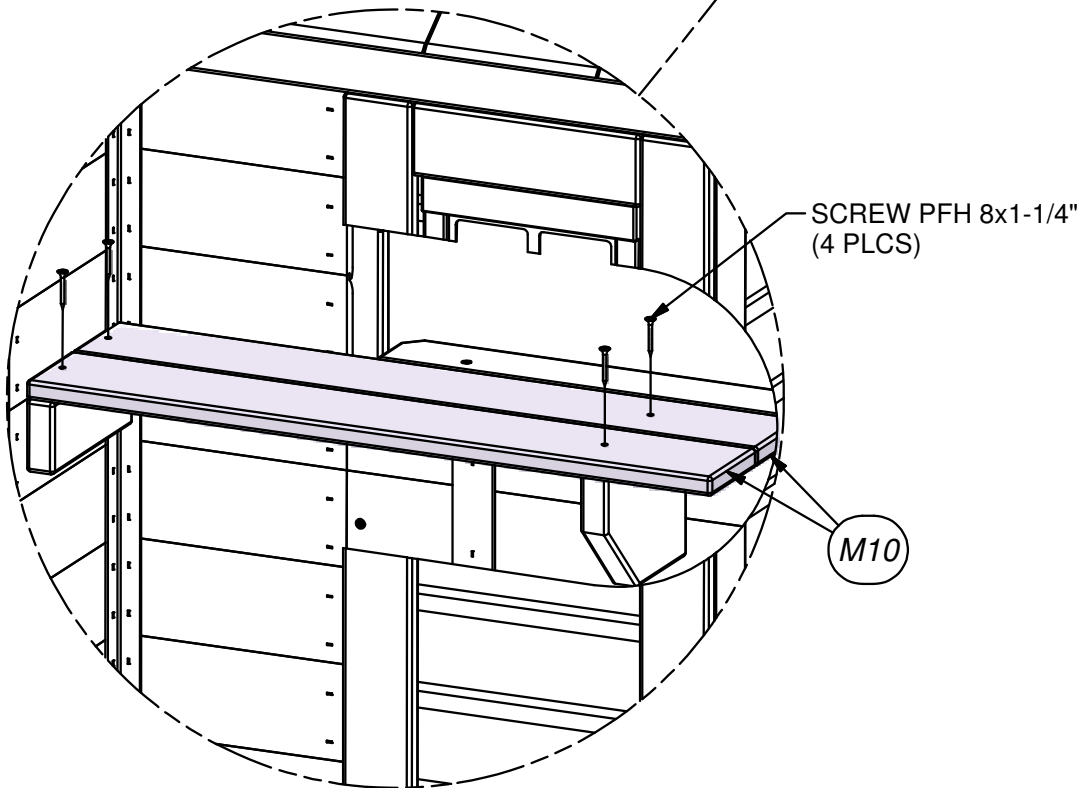
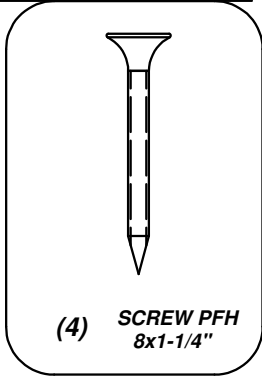
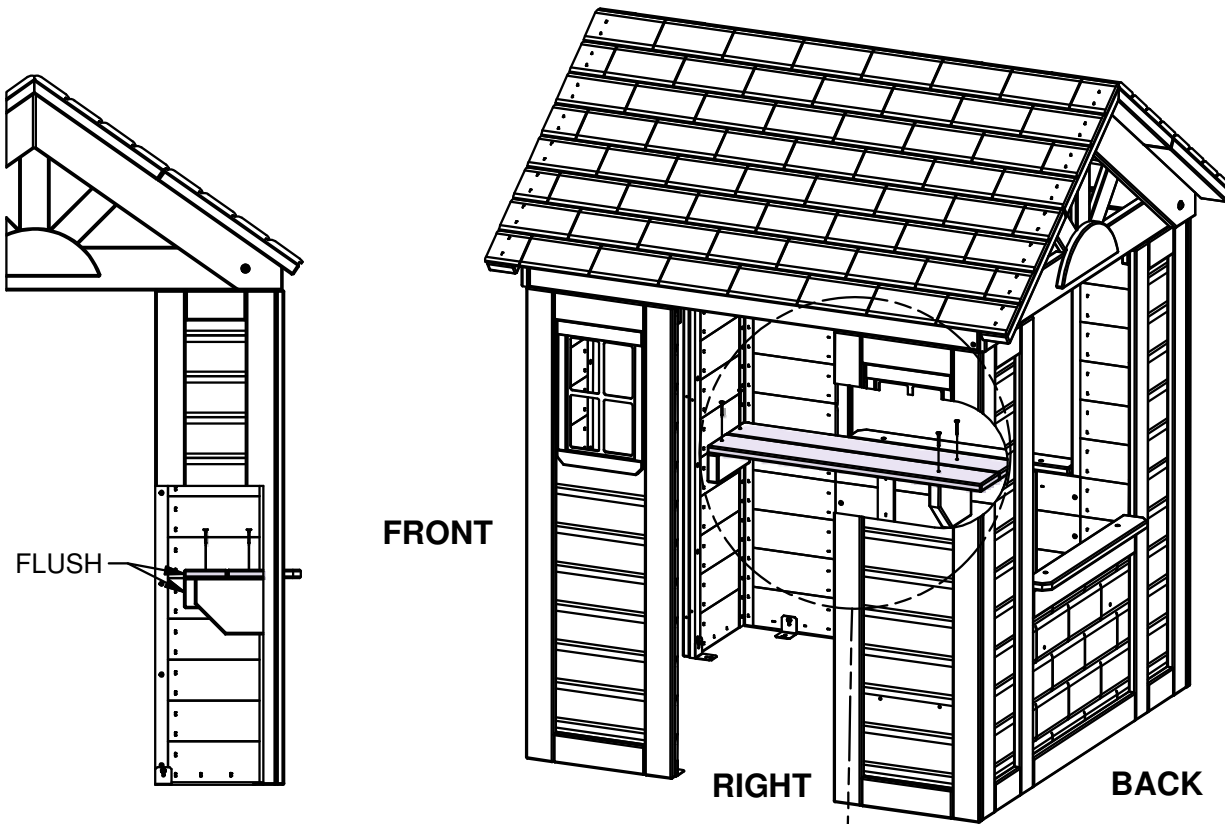
RIGHT

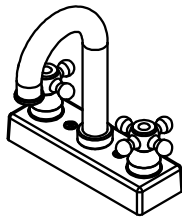
BACK



(2) **M10 - COUNTER TOP - W4L06413**
5/8"x3 3/8"x23 5/8" (16x86x600)

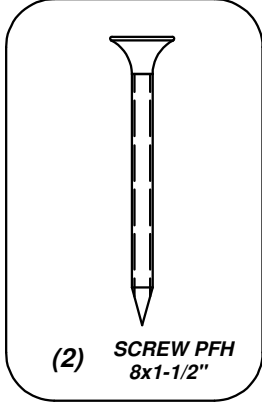
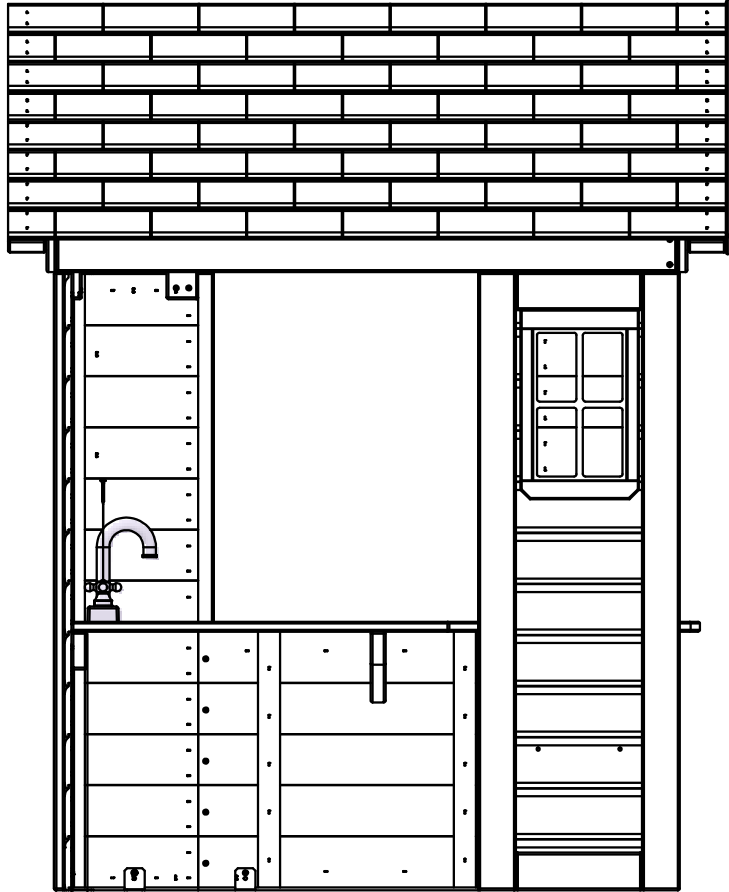
STEP 45





(1) - FAUCET KIT - A6P00024

STEP 46

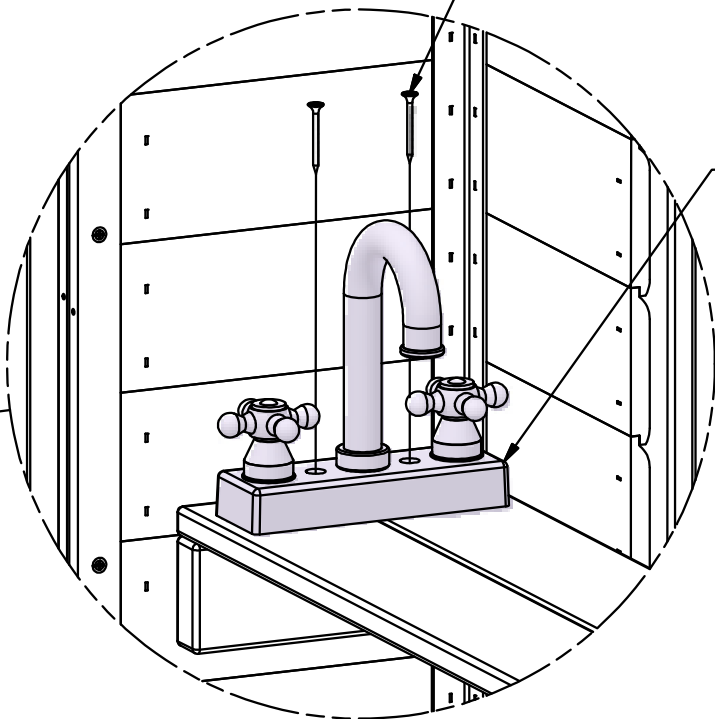
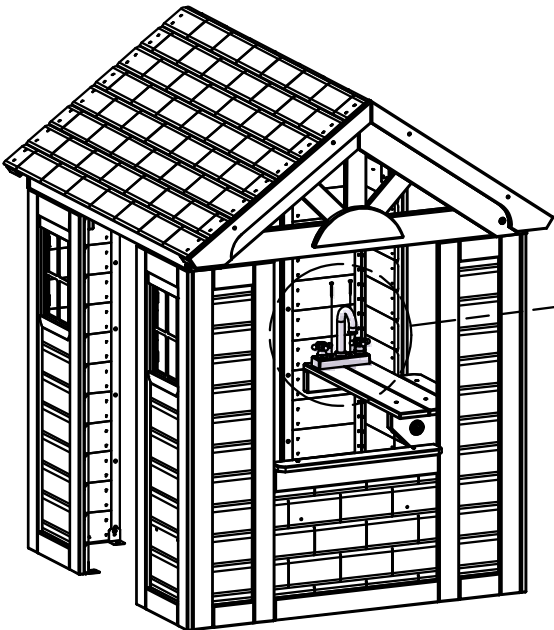


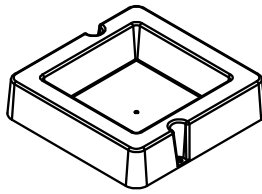
(2) SCREW PFH
8x1-1/2"

1" [26mm]
FAUCET
LOCATION

SCREW PFH 8x1-1/2"
(2 PLCS)

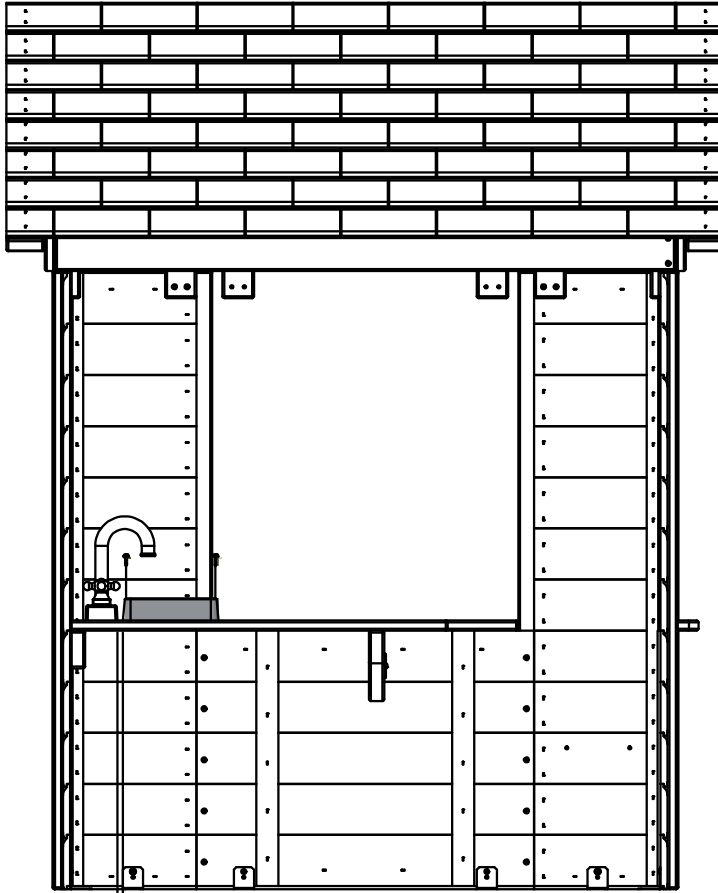
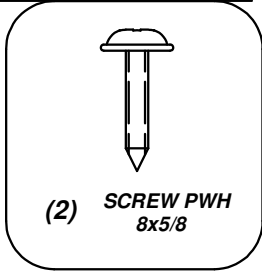
FAUCET KIT
(1 PLC)





(1) - SURFACE MOUNT BASIN - A6P00032

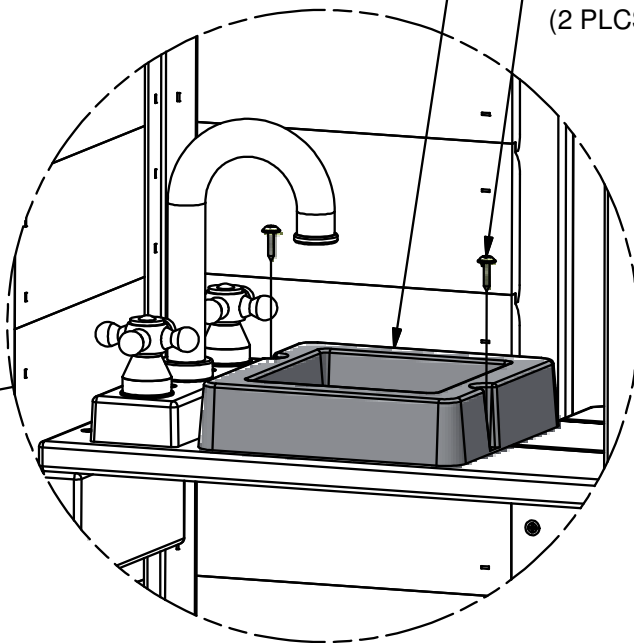
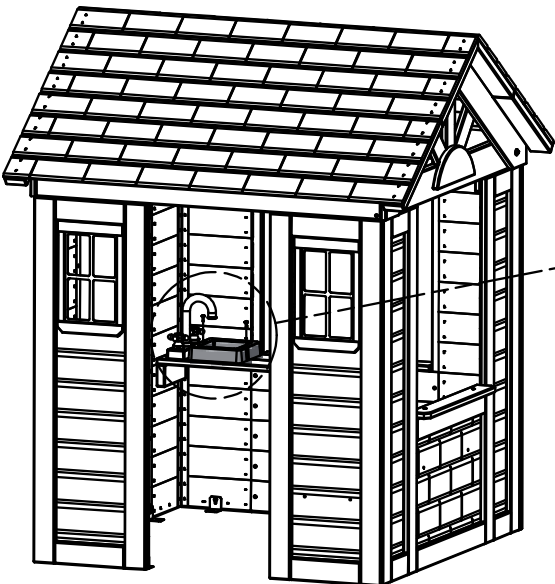
STEP 47

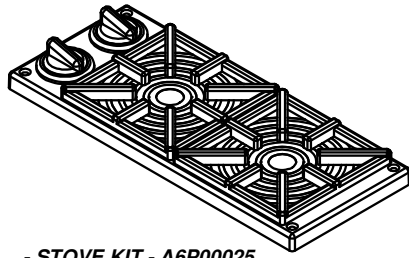


3/8" [10mm]
SINK BASIN
LOCATION

SURFACE MOUNT BASIN
(1 PLC)

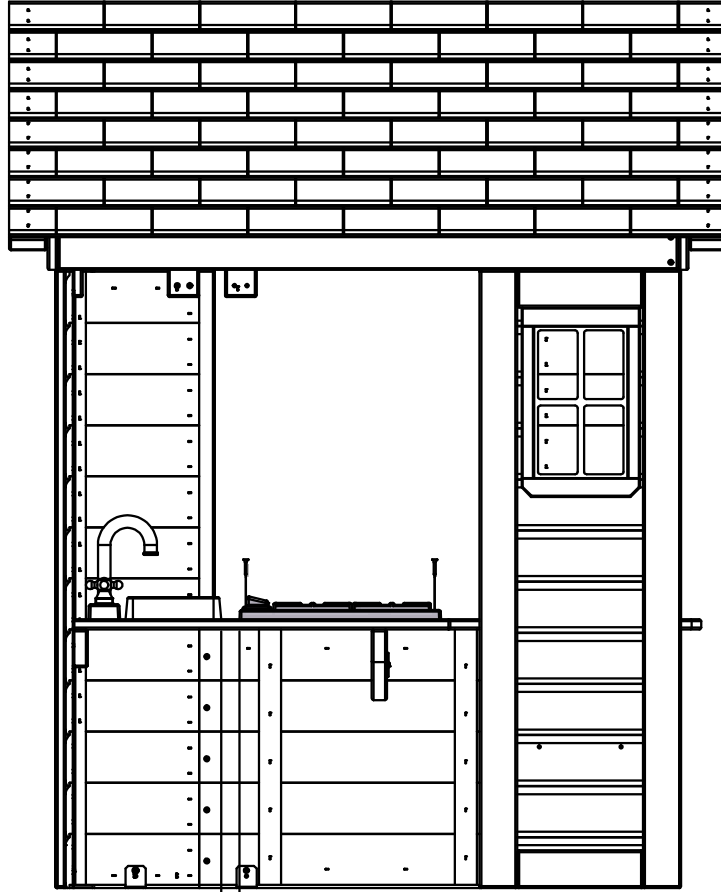
SCREW PWH 8x5/8
(2 PLCS)



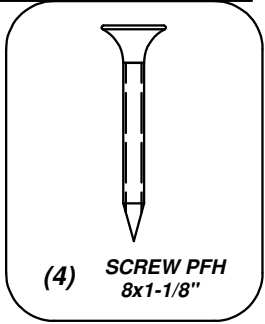


(1) - STOVE KIT - A6P00025

STEP 48



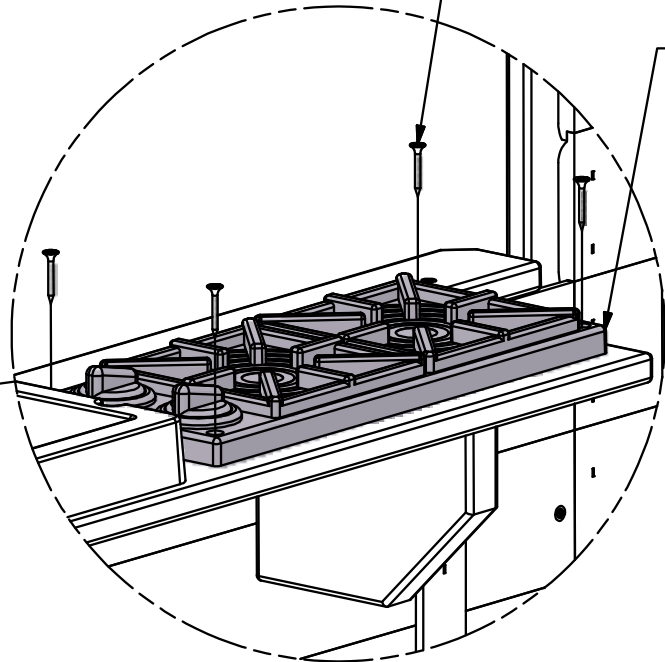
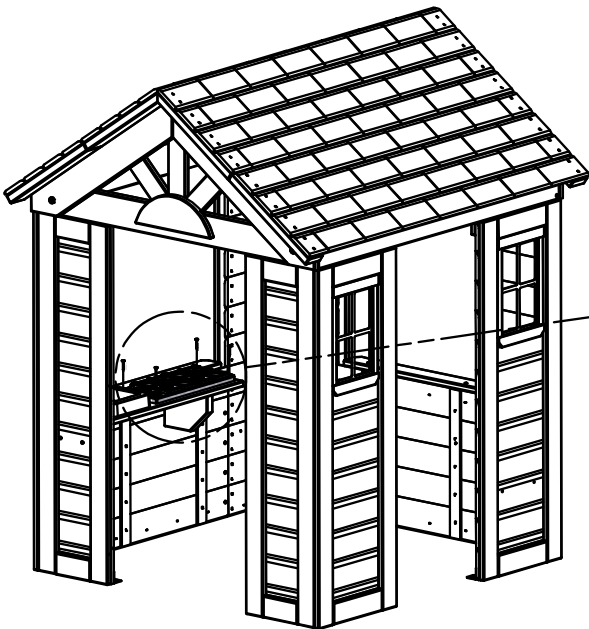
1 1/8" [30mm]
STOVE
LOCATION



(4) SCREW PFH
8x1-1/8"

SCREW PFH 8x1-1/8"
(4 PLCS)

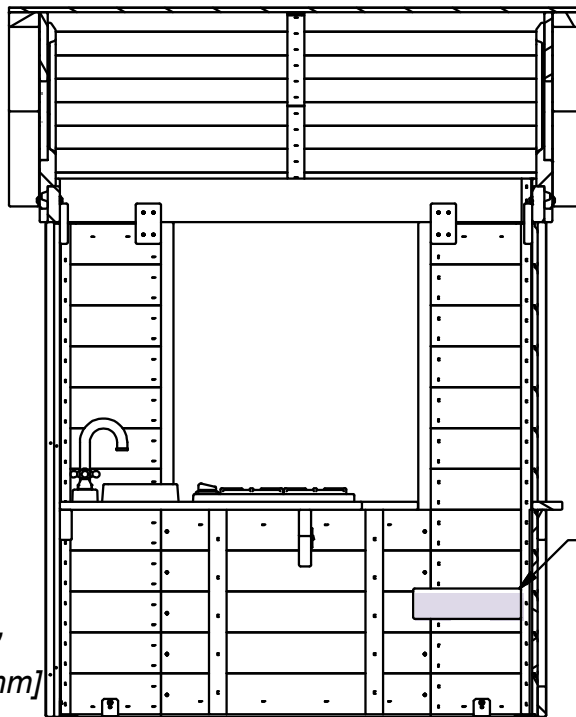
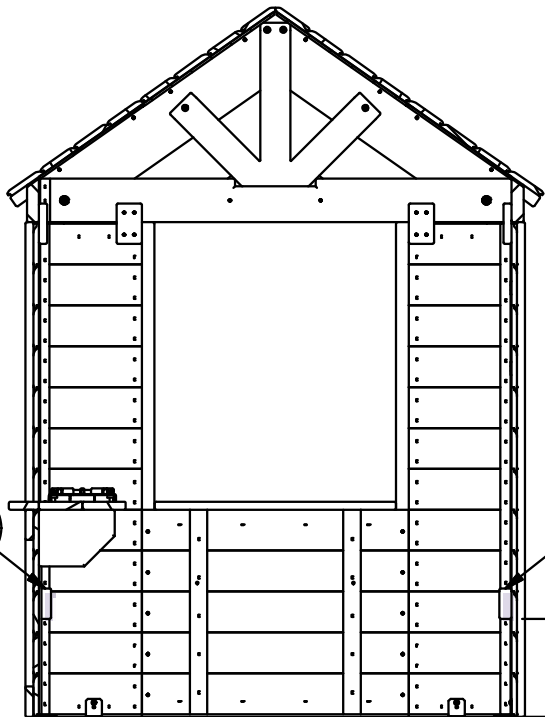
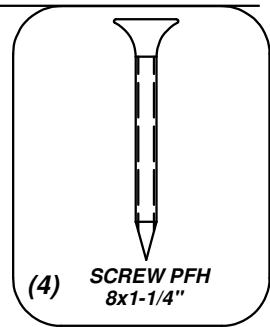
STOVE KIT
(1 PLC)





(2) J3 - SEAT SUPPORT - W4L06417
1"x2 3/8"x8 3/8" (24x60x214)

STEP 49



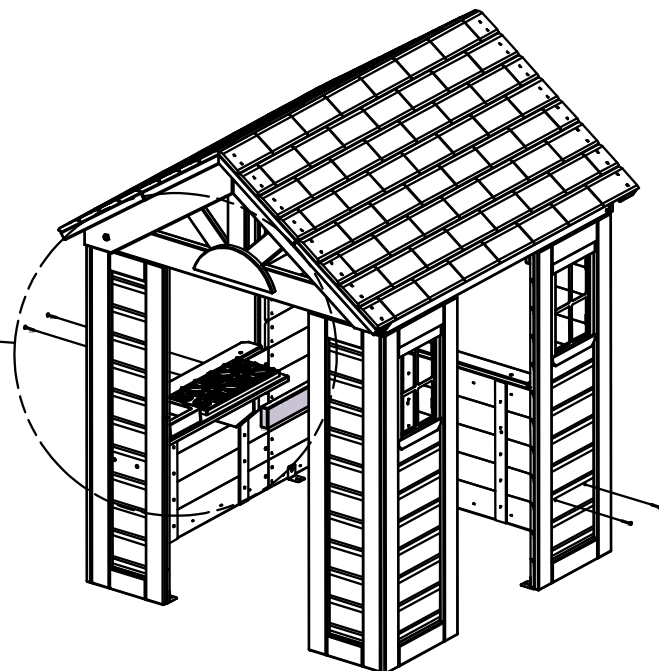
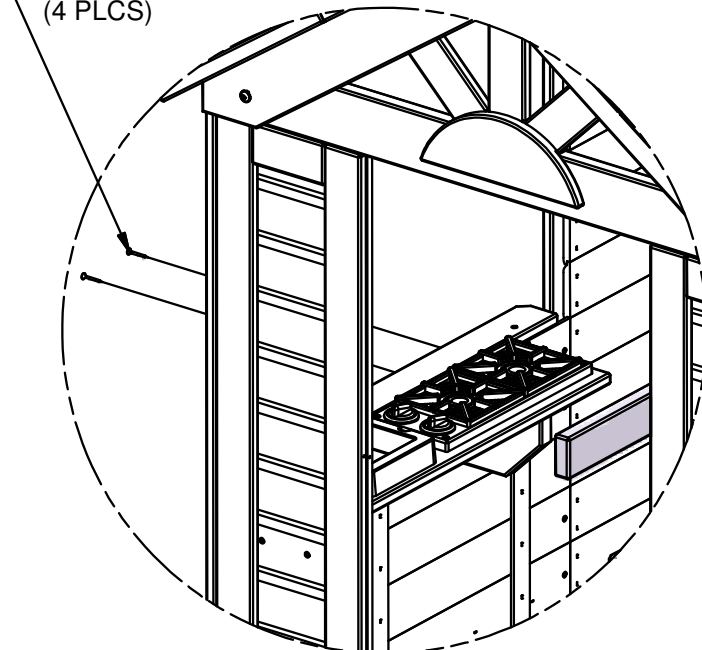
J3

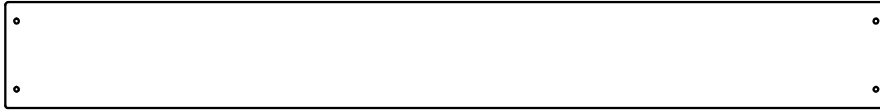
J3

7 5/8"
[194mm]

MATE END OF 'J3'
TO THE EDGE OF
PLASTIC HINGE.

SCREW PFH 8x1-1/4"
(4 PLCS)



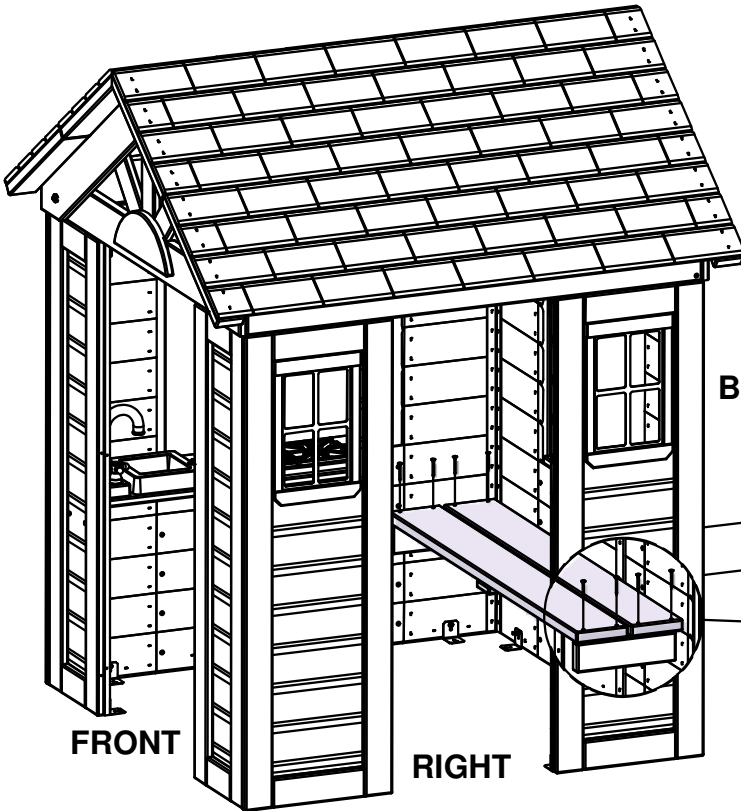
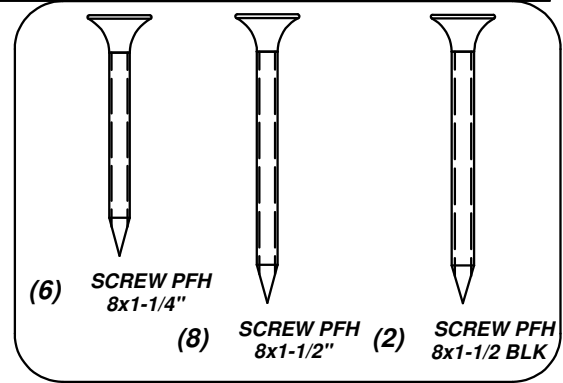
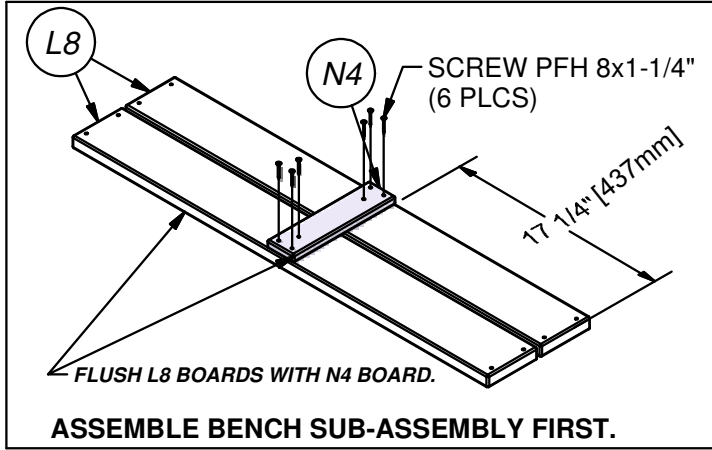


(2) **L8 - SEAT BOARD - W4L06418**
1"x4 3/8"x36 3/4" (24x112x934)



(1) **N4 - SEAT CLEAT - W4L06419**
5/8"x2 3/8"x9" (16x60x230)

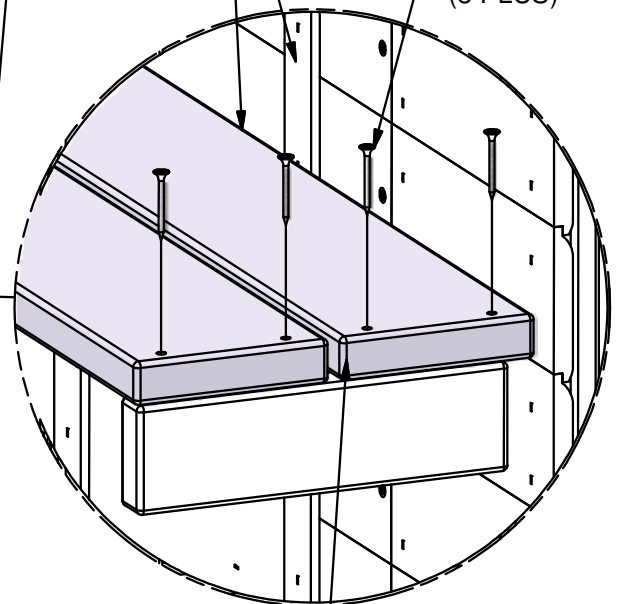
STEP 50



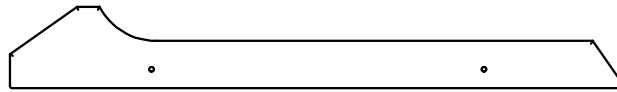
SCREW PFH 8x1-1/2 BLK (2 PLCS)

MATE THE REAR BENCH BOARD EDGE TO THE SURFACE OF THE WALL CLEAT, AS SHOWN.

SCREW PFH 8x1-1/2" (8 PLCS)

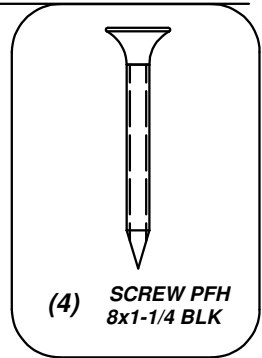


BENCH SUB-ASSEMBLY

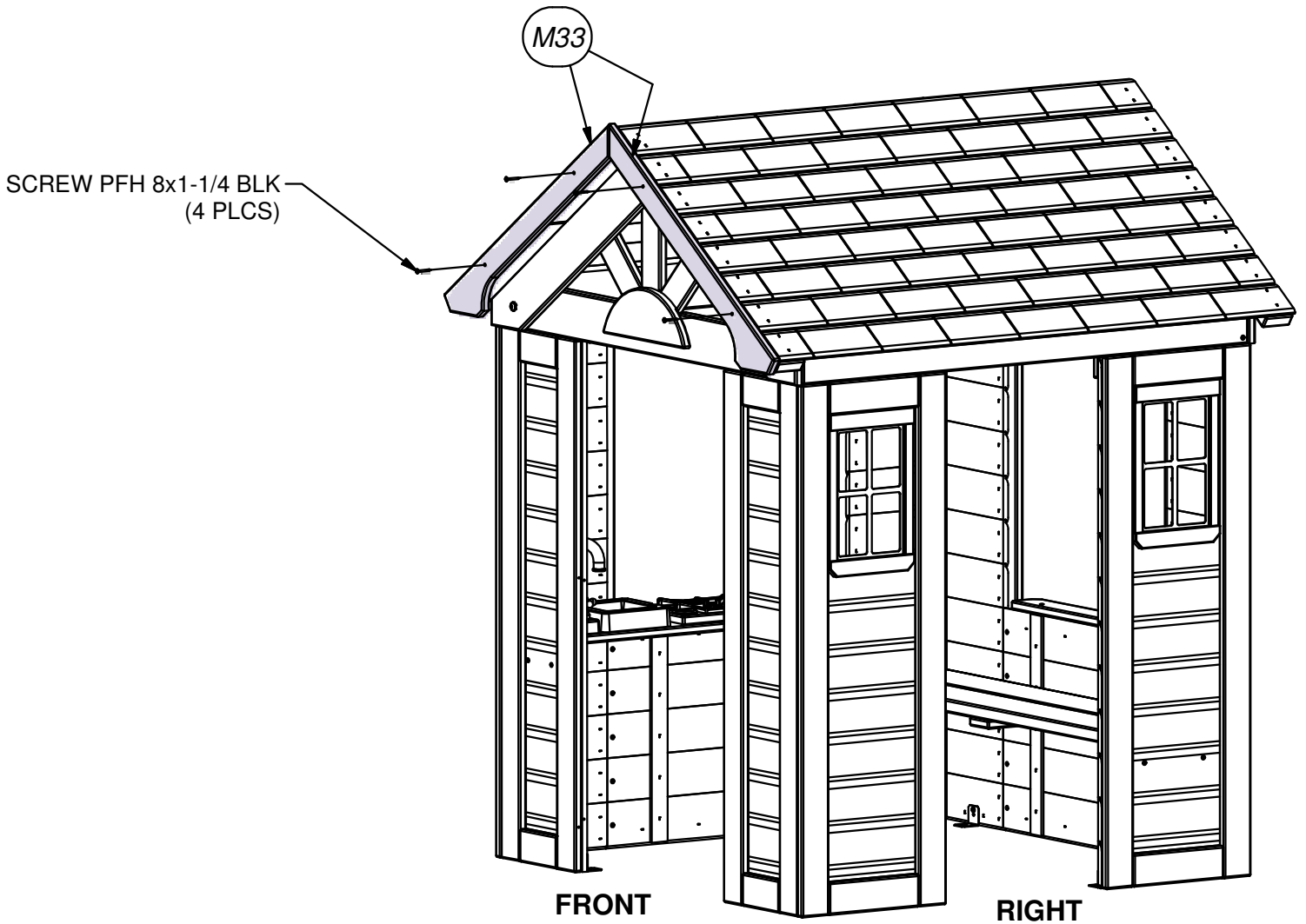


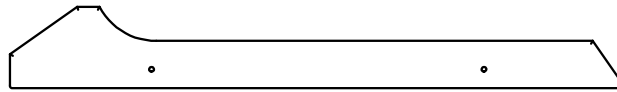
(2) **M33 - FASCIA BOARD - W4L06559**
5/8"x3 3/8"x25 5/8" (16x86x652)

STEP 51



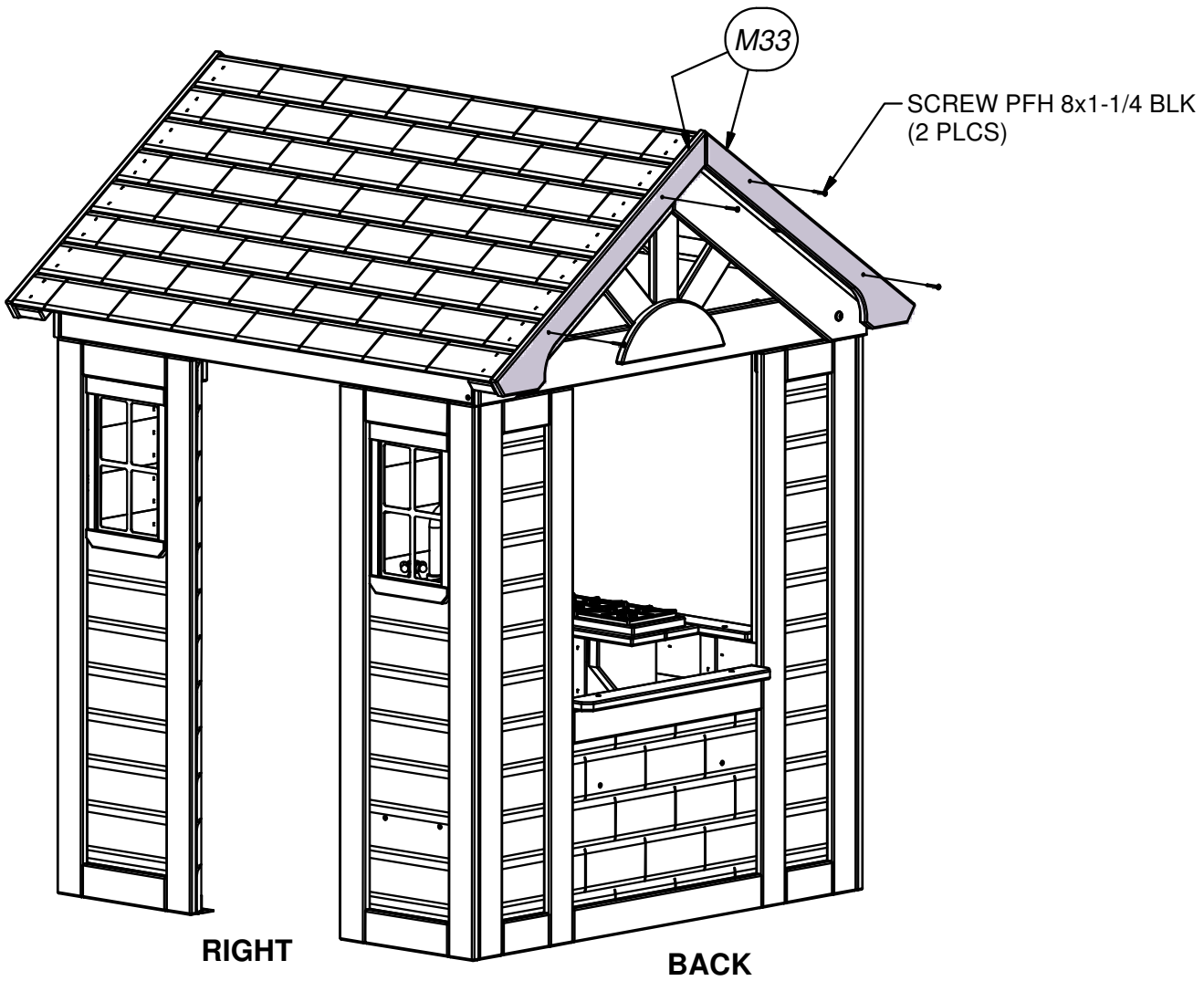
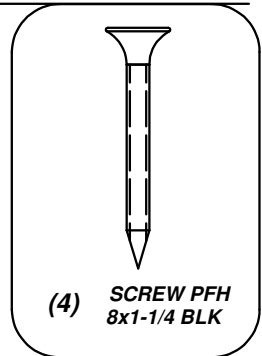
(4) **SCREW PFH**
8x1-1/4 BLK





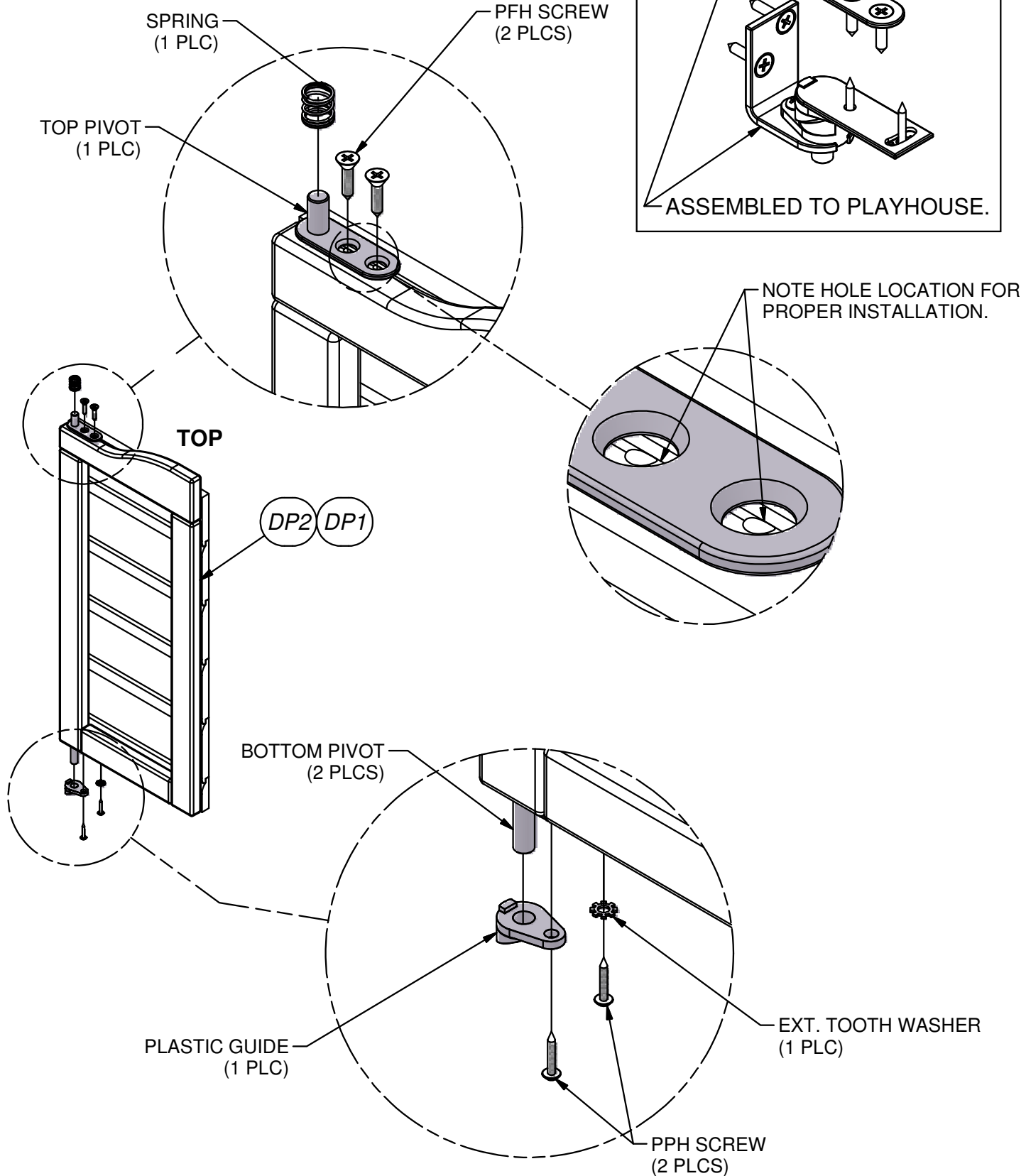
(2) **M33 - FASCIA BOARD - W4L06559**
5/8" x 3 3/8" x 25 5/8" (16x86x652)

STEP 52

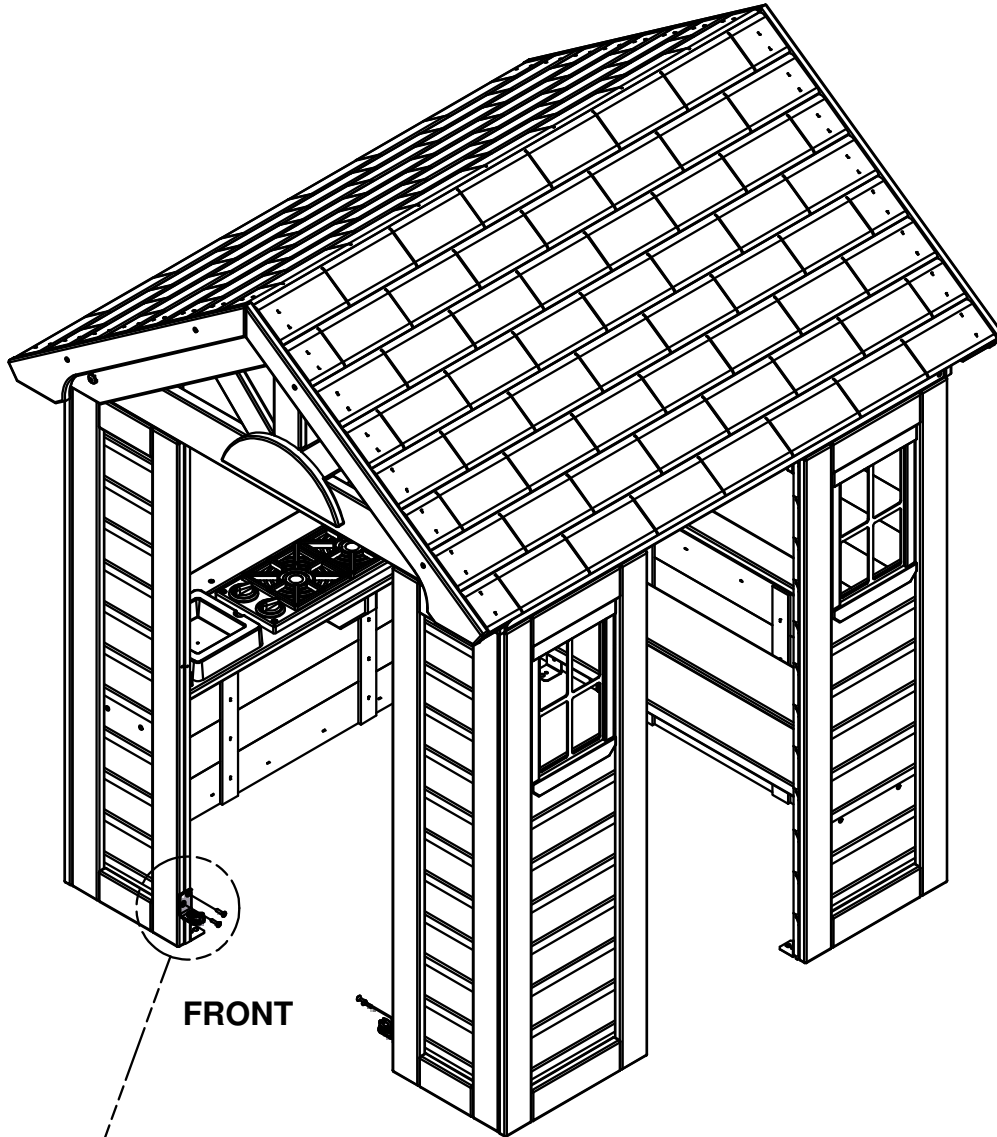


STEP 53

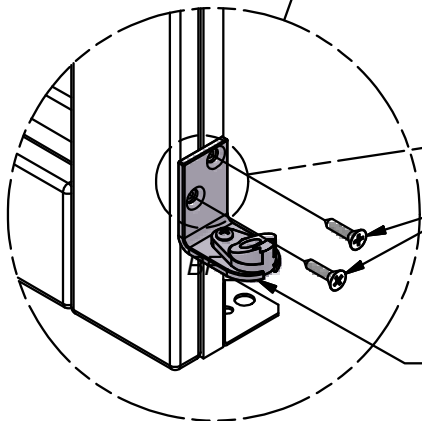
BOTH THE LEFT AND RIGHT DOOR SHOULD BE ASSEMBLED BEFORE INSTALLATION ON THE PLAYHOUSE.



STEP 54



FRONT

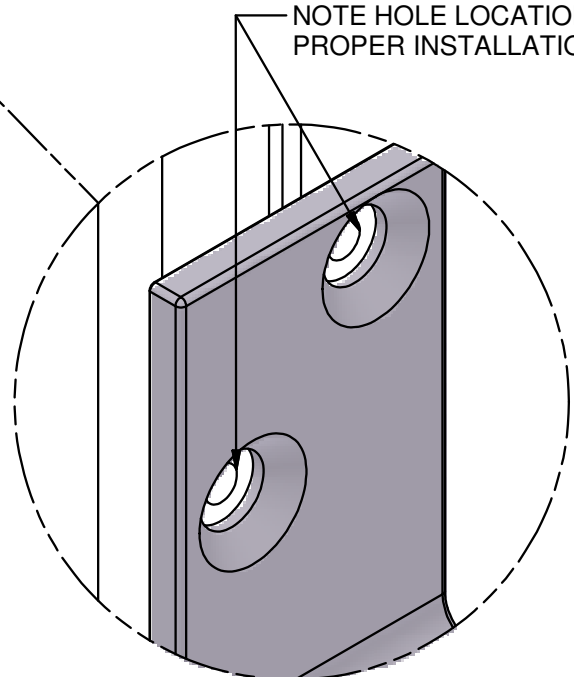


PFH SCREW
(4 PLCS)

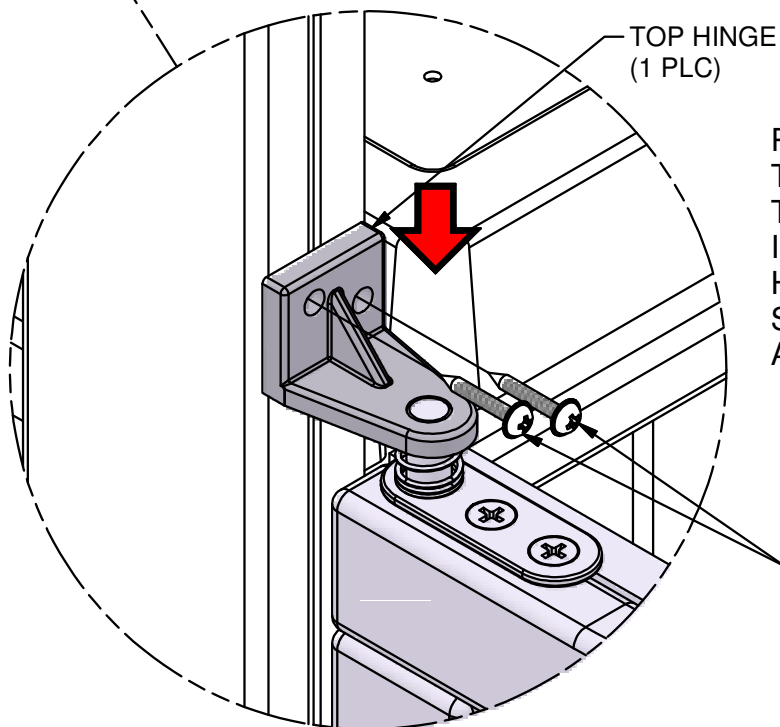
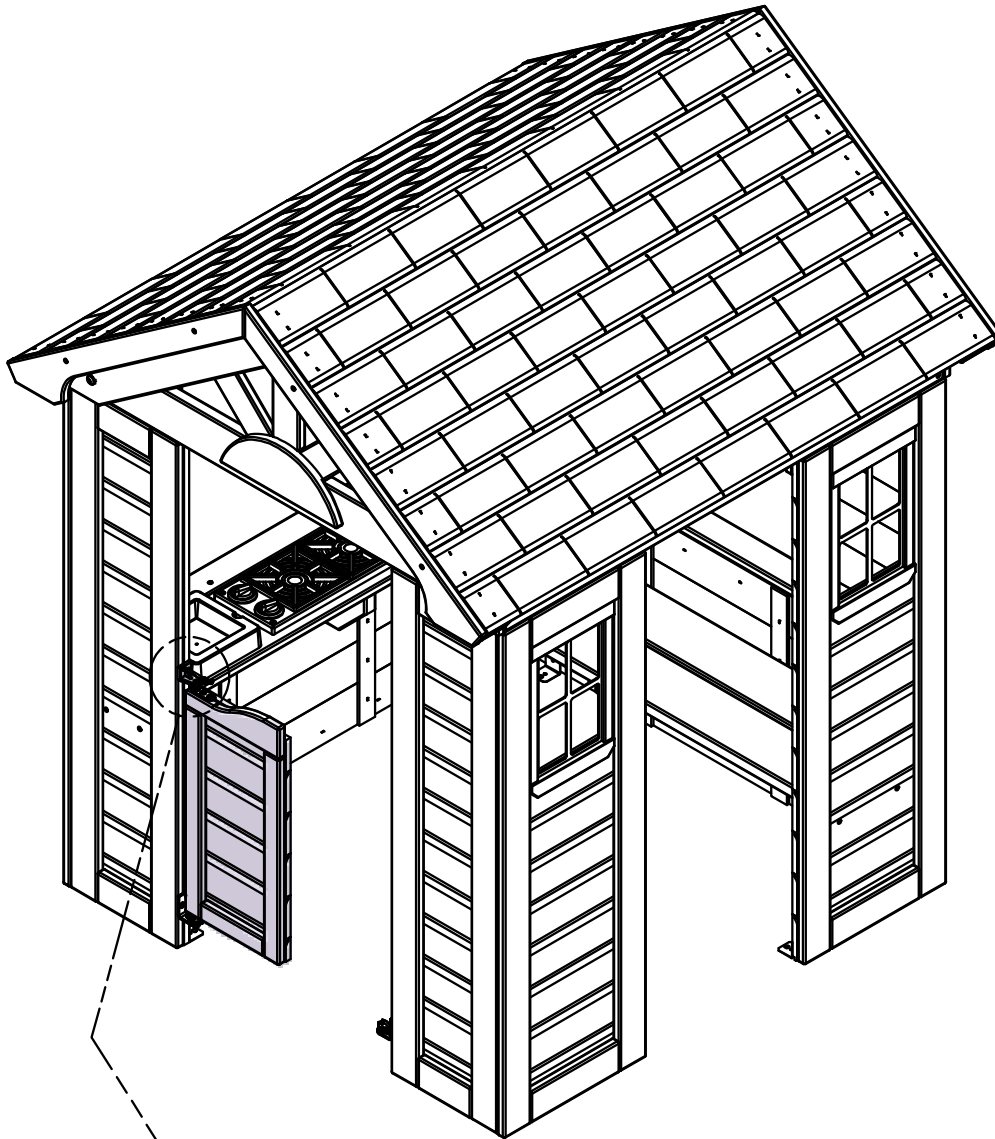
BOTTOM HINGE BRACKET
(2 PLCS)

ATTACH PLASTIC GUIDE TO
BOTTOM HINGE BRACKET
USING HARDWARE
PROVIDED.

NOTE HOLE LOCATION FOR
PROPER INSTALLATION.

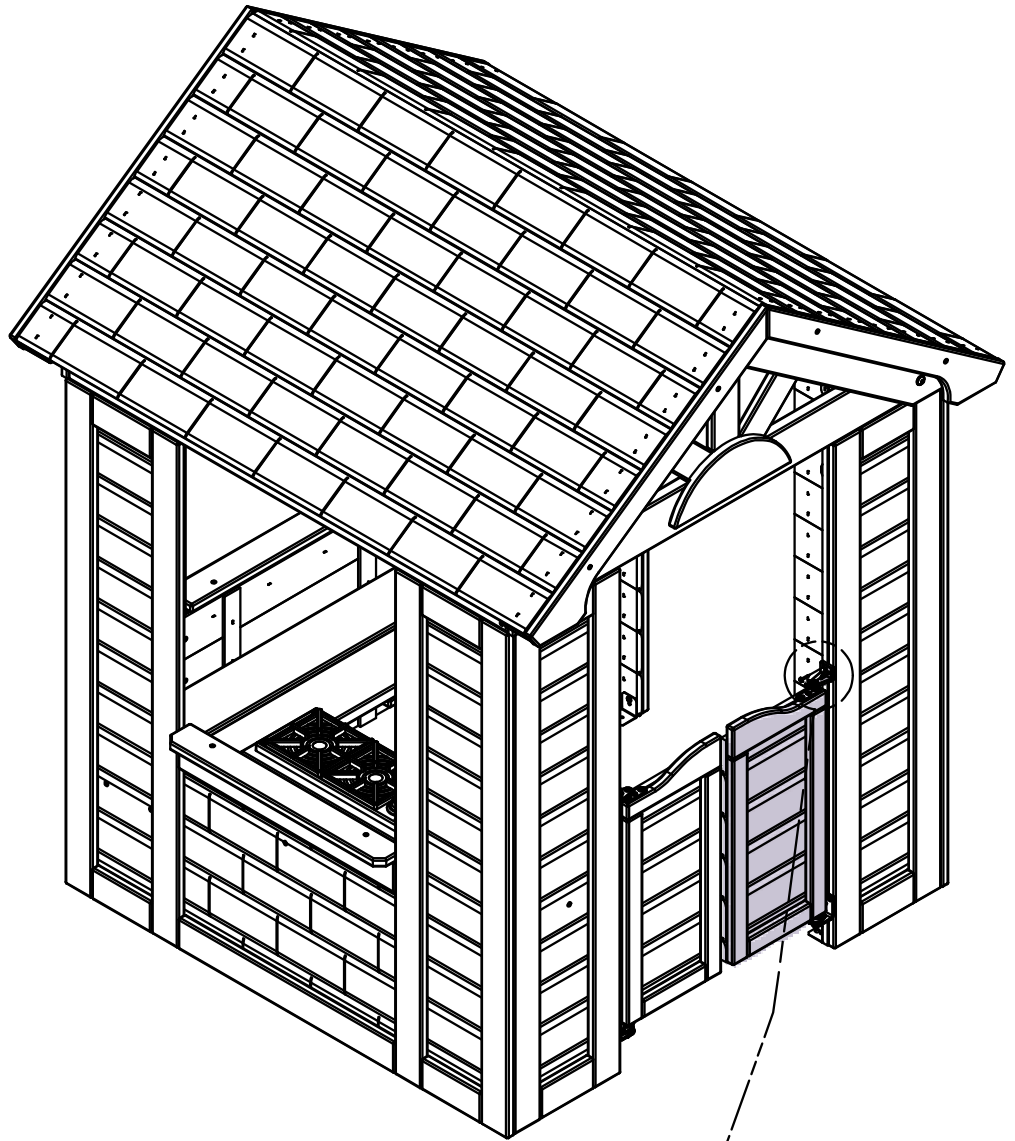


STEP 55

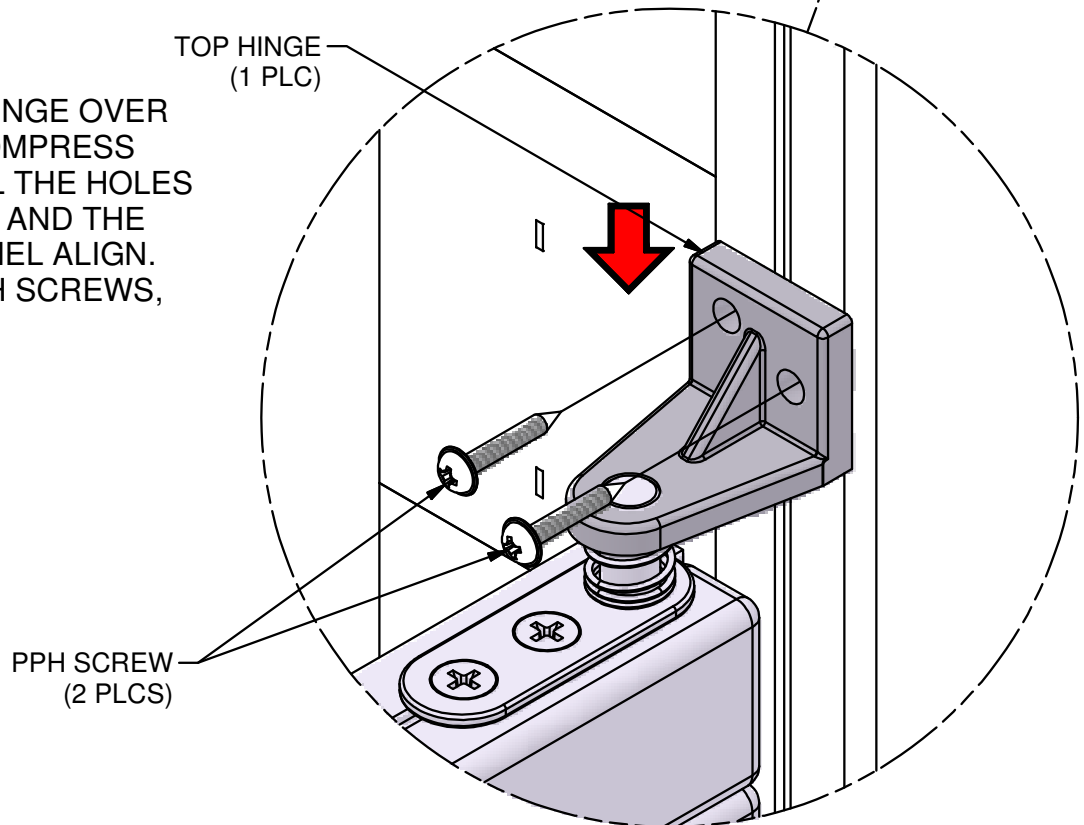


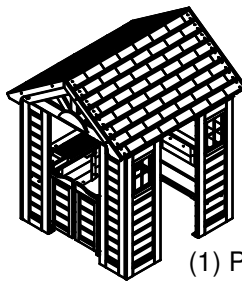
PLACE THE TOP HINGE OVER THE POST AND COMPRESS THE SPRING UNTIL THE HOLES IN THE TOP HINGE AND THE HOLES IN THE PANEL ALIGN. SECURE WITH PPH SCREWS, AS SHOWN.

STEP 56



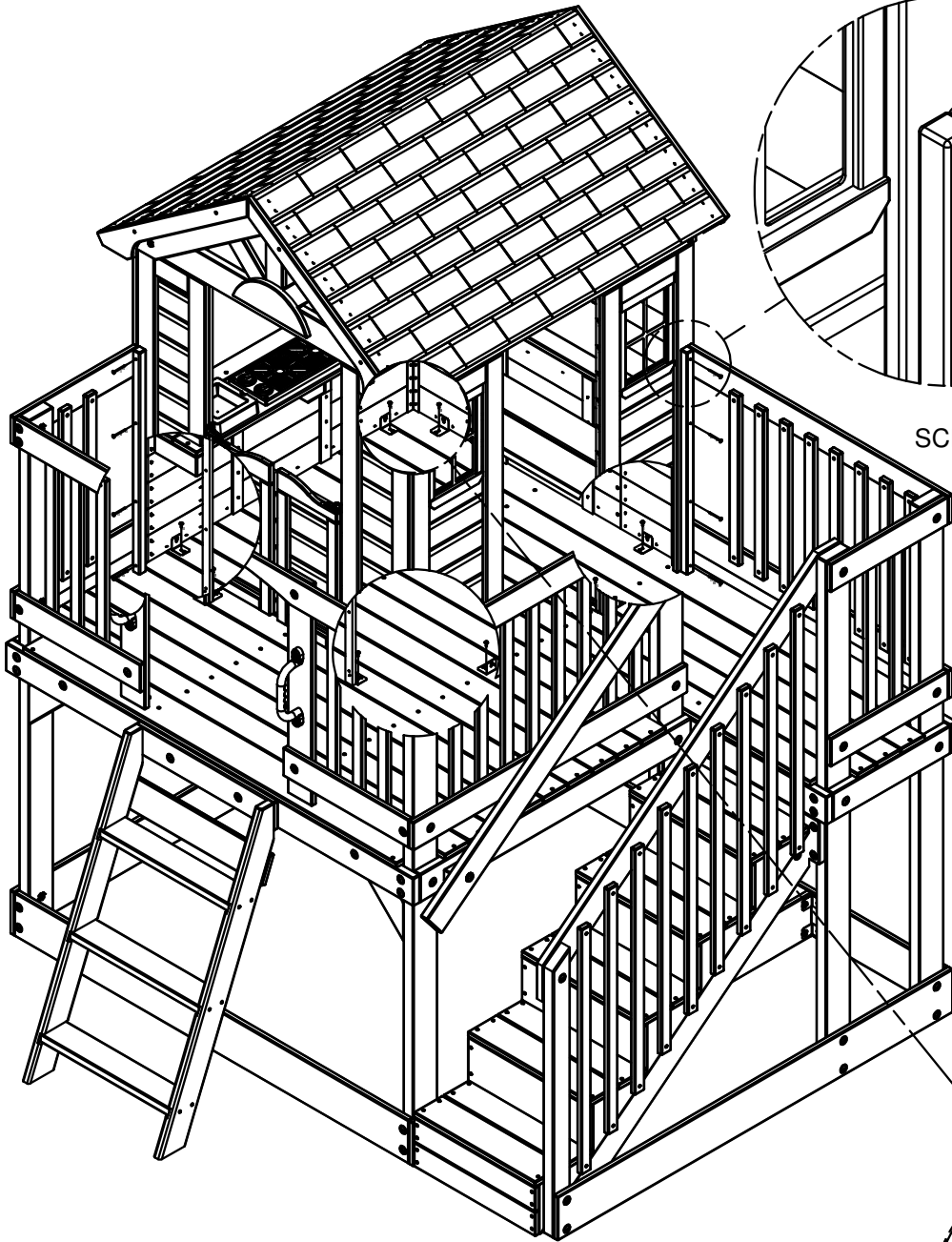
PLACE THE TOP HINGE OVER THE POST AND COMPRESS THE SPRING UNTIL THE HOLES IN THE TOP HINGE AND THE HOLES IN THE PANEL ALIGN. SECURE WITH PPH SCREWS, AS SHOWN.



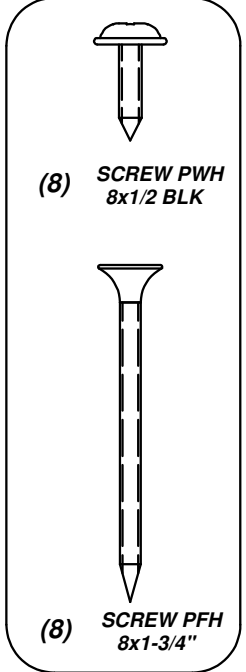


(1) PLAYHOUSE ASSEMBLY

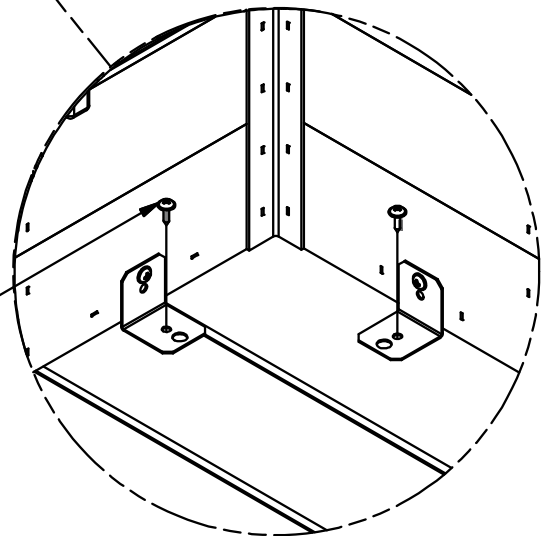
STEP 57



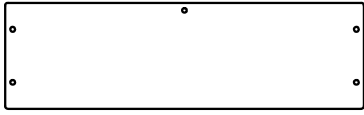
SCREW PFH 8x1-3/4"
(8 PLCS)



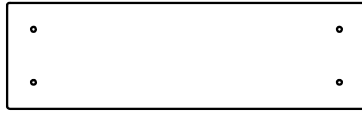
STRAIGHTEN AND LEVEL THE RAILING BEFORE ATTACHING TO HOUSE. MAY NEED TO TEMPORARILY REMOVE PICKET TO ATTACH TO HOUSE WALL.



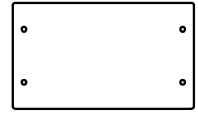
SCREW PWH 8x1/2 BLK
(8 PLCS)



(2) **L4 - BOTTOM BOARD - W4L06420**
5/8"x4 3/8"x15" (16x112x380)

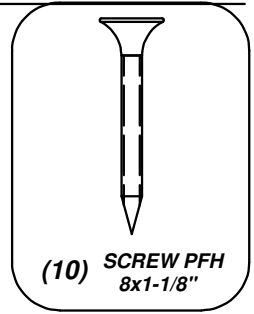


(2) **L5 - LONG SIDE BOARD - W4L06421**
5/8"x4 3/8"x15" (16x112x380)

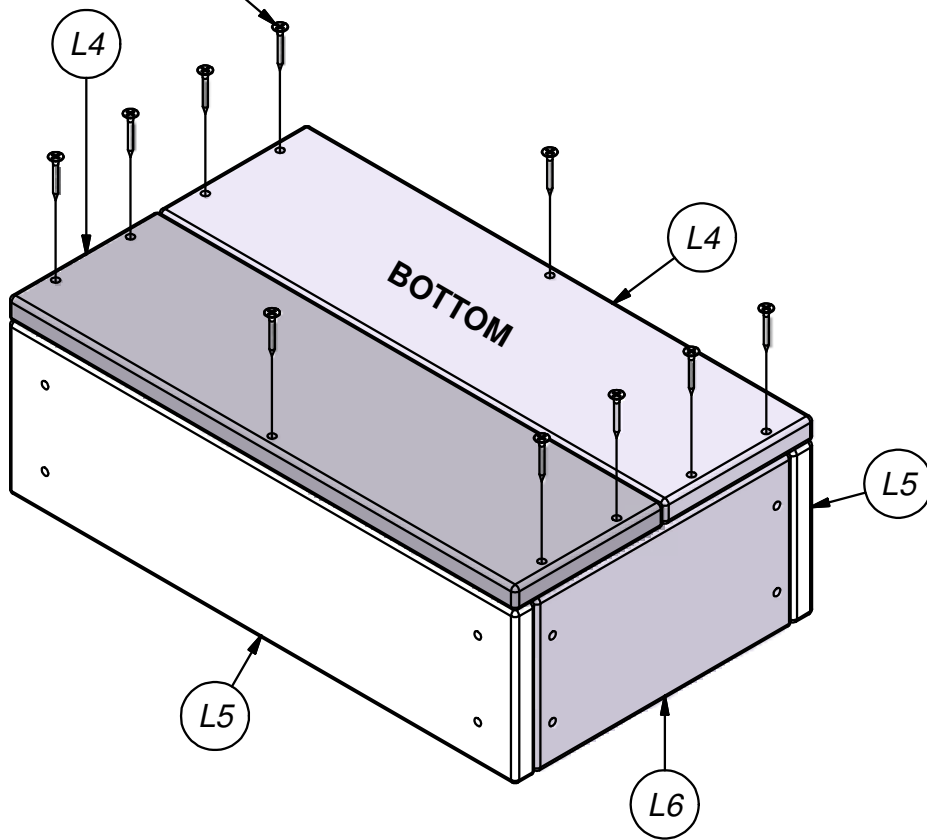


(2) **L6 - SHORT SIDE BOARD - W4L06422**
5/8"x4 3/8"x7 1/2" (16x112x192)

STEP 58



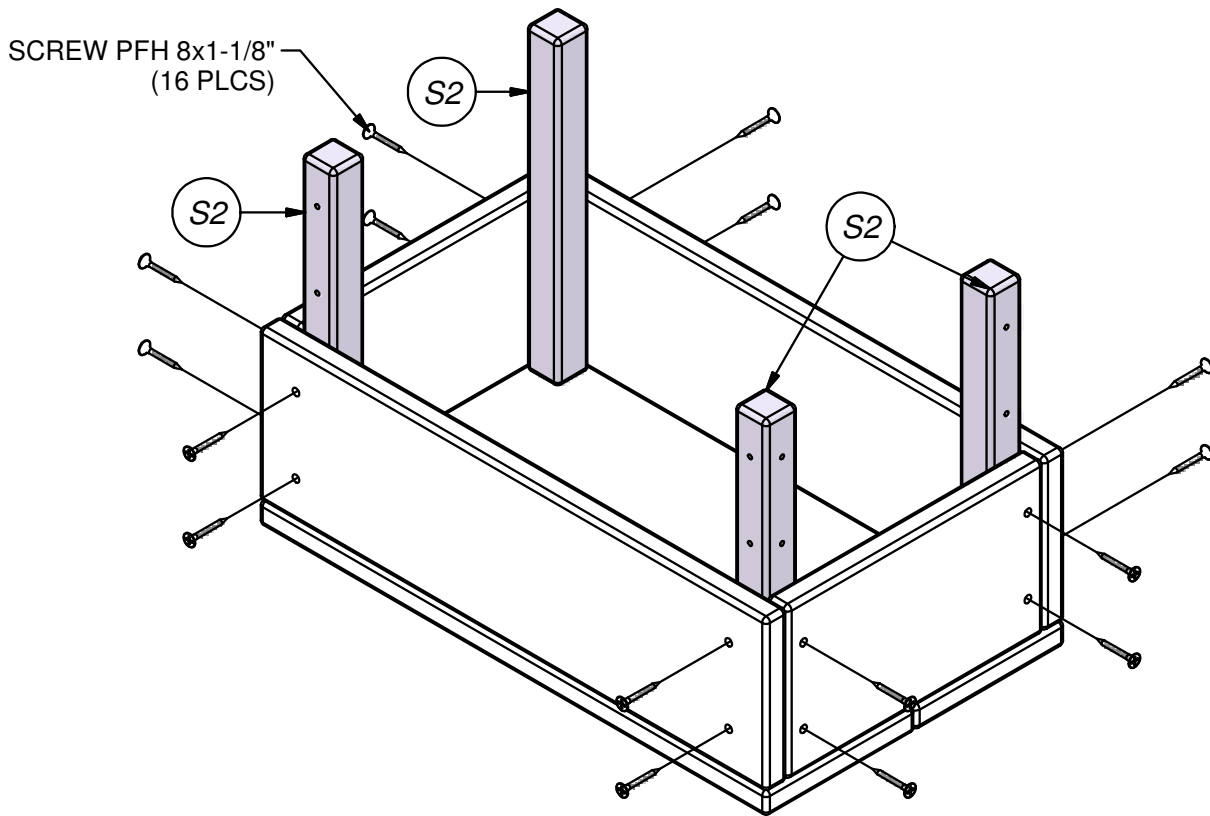
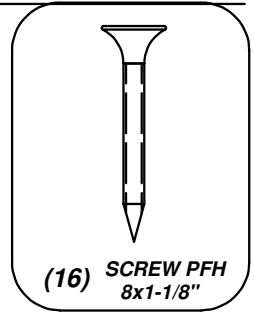
SCREW PFH 8x1-1/8"
(10 PLCS)

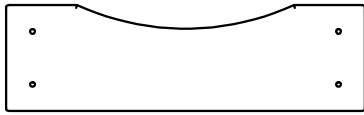




(4) **S2 - CORNER BOARD - W4L06424**
1"x1"x8 7/8" (24x24x224)

STEP 59





(1) **L7 - ARCHED SIDE BOARD - W4L06423**
5/8"x4 3/8"x15" (16x112x380)

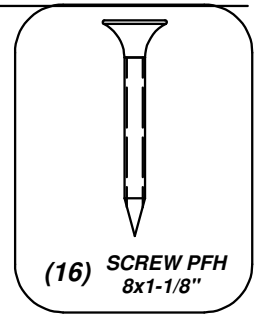


(1) **L5 - LONG SIDE BOARD - W4L06421**
5/8"x4 3/8"x15" (16x112x380)

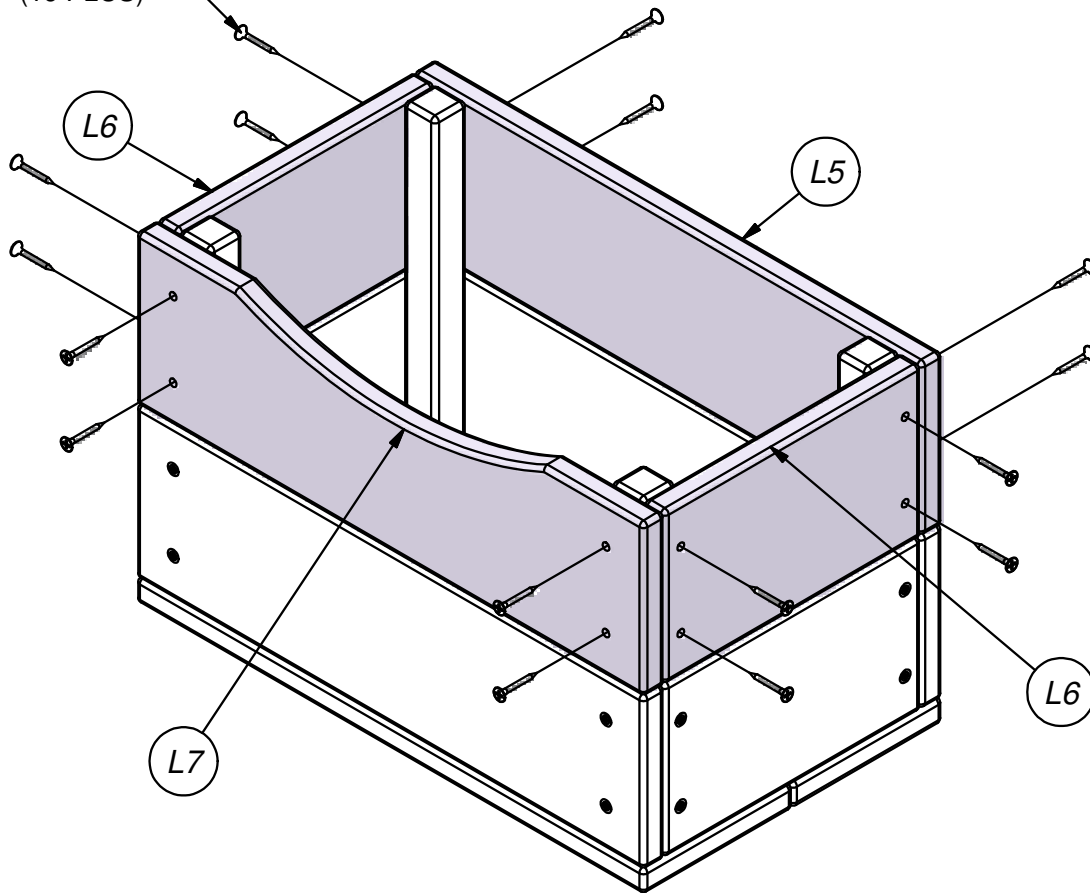


(2) **L6 - SHORT SIDE BOARD - W4L06422**
5/8"x4 3/8"x7 1/2" (16x112x192)

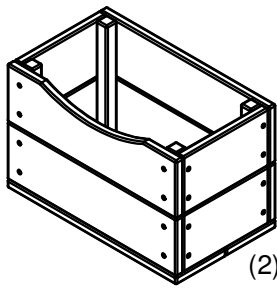
STEP 60



SCREW PFH 8x1-1/8"
(16 PLCS)

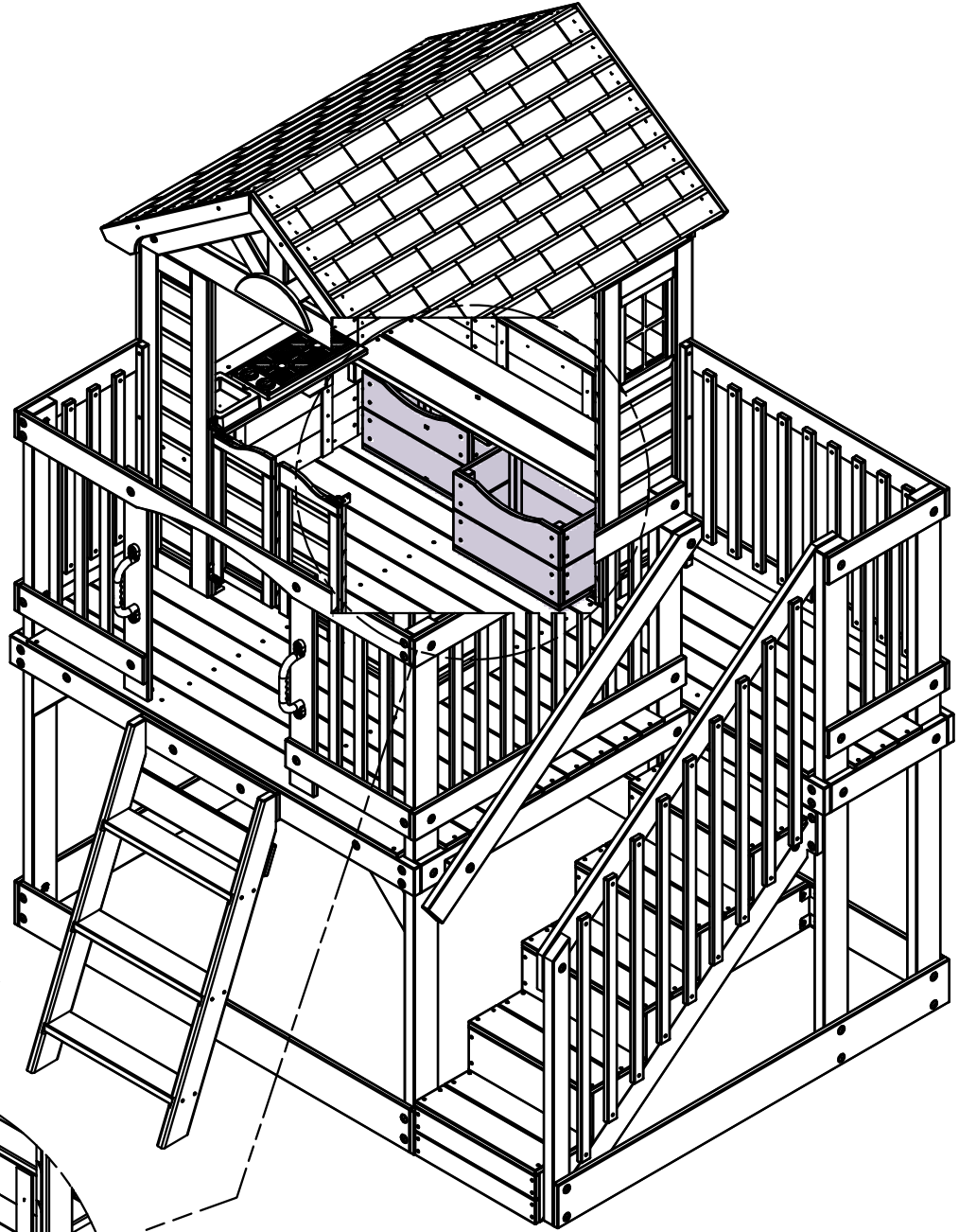


REPEAT STEPS 58 THROUGH 60 TO BUILD THE SECOND TOY BOX ASSEMBLY.

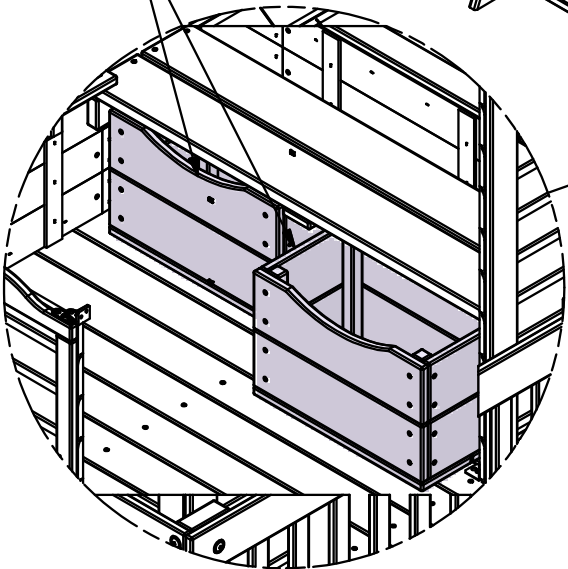


(2) TOY BOX ASSEMBLY

STEP 61



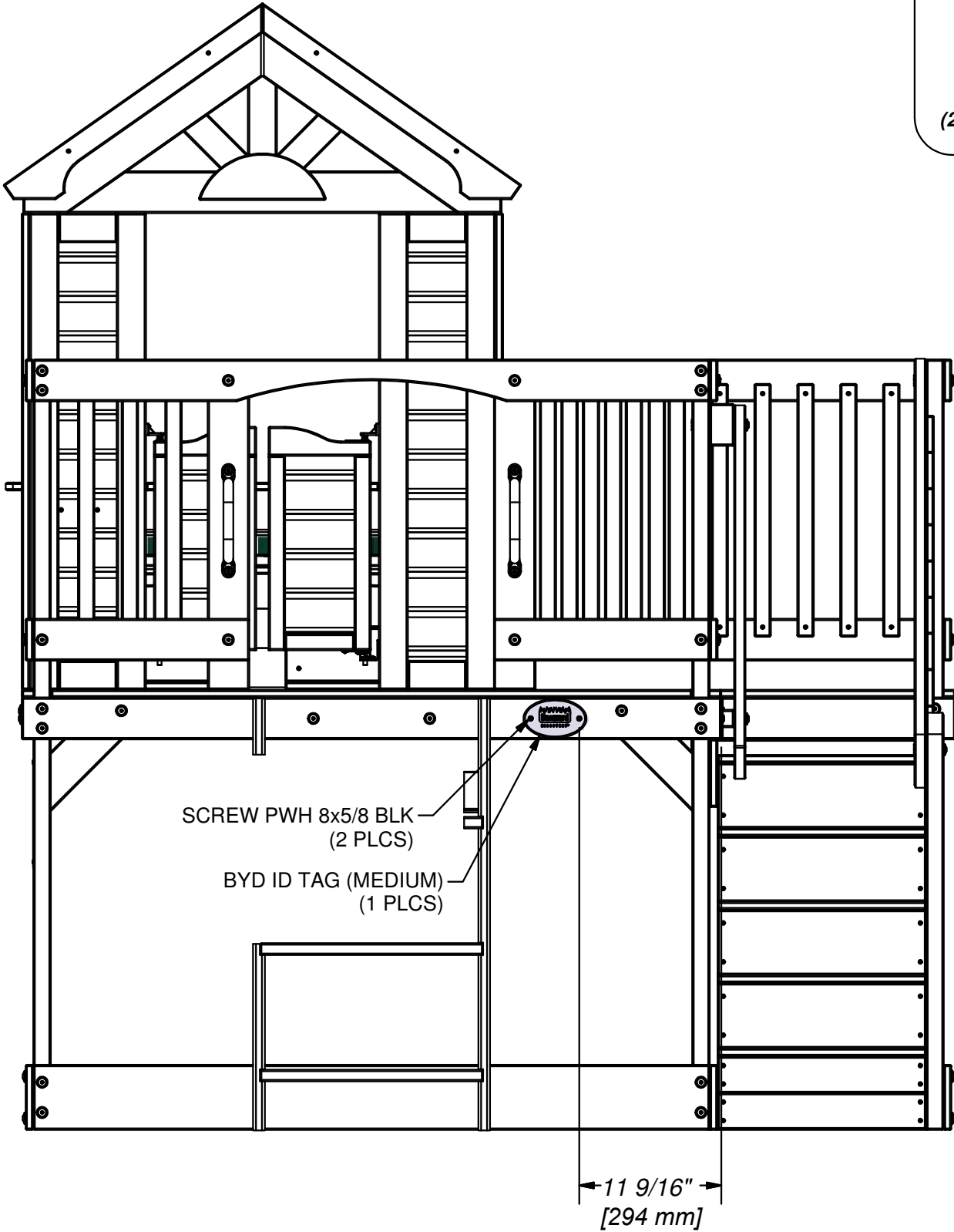
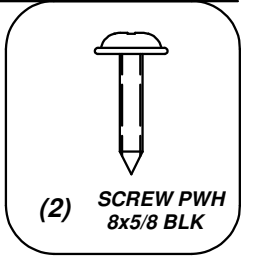
TOY BOX ASSEMBLY
(2 PLCS)





(1) - BYD ID TAG (MEDIUM) - A4M00528

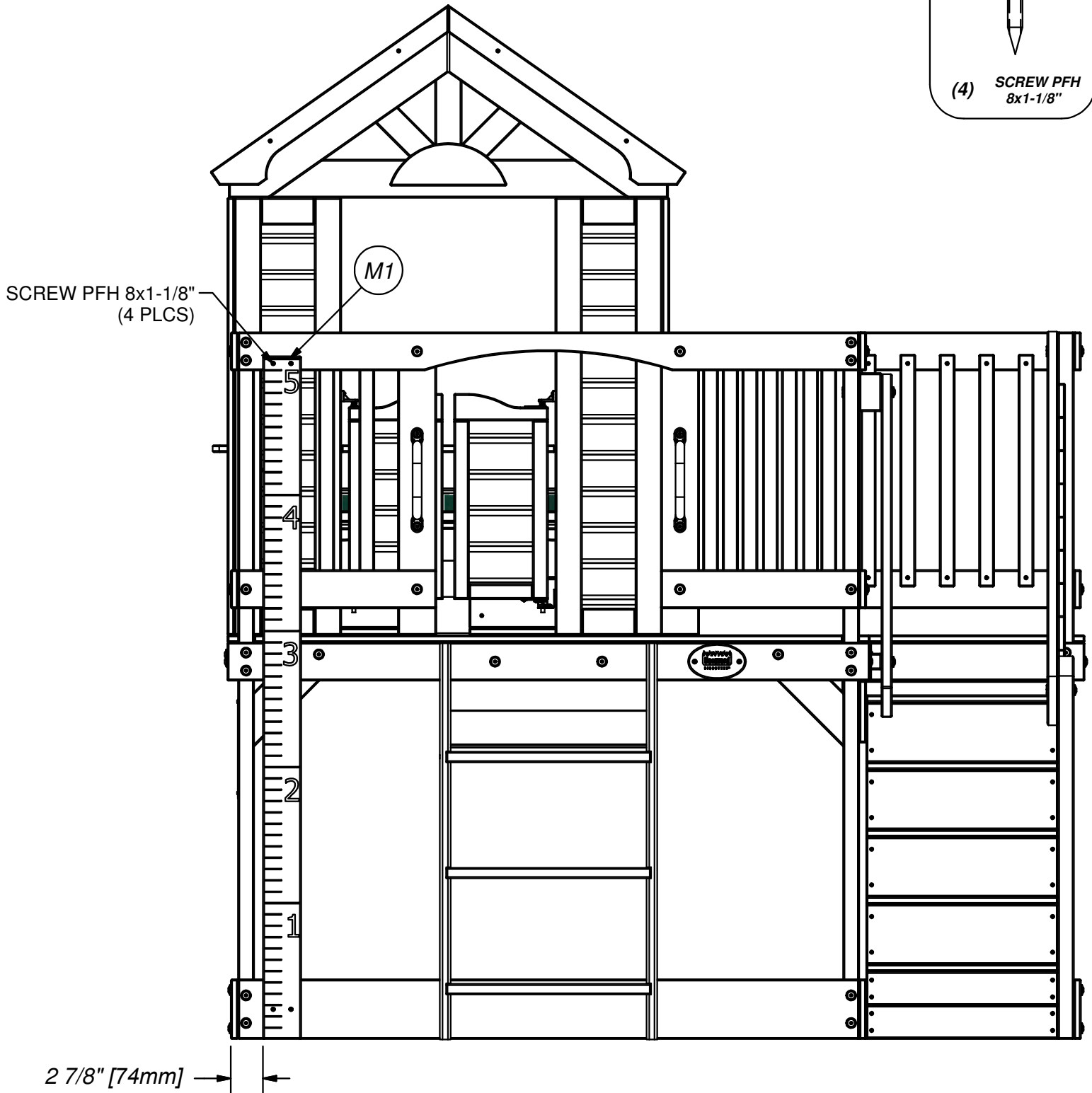
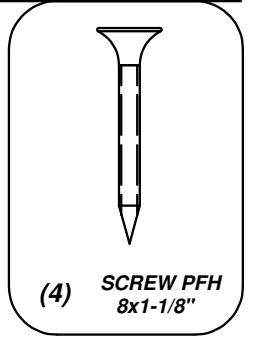
STEP 62

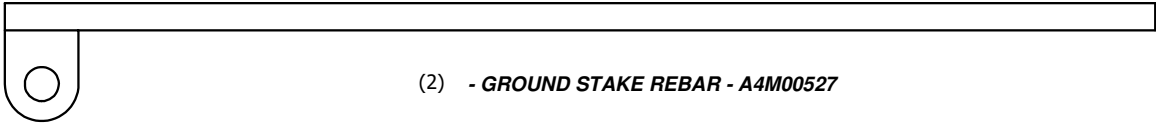




(1) **M1 - GROWTH BOARD - W4L06690**
5/8"x3 3/8"x60 1/4" (16x86x1530)

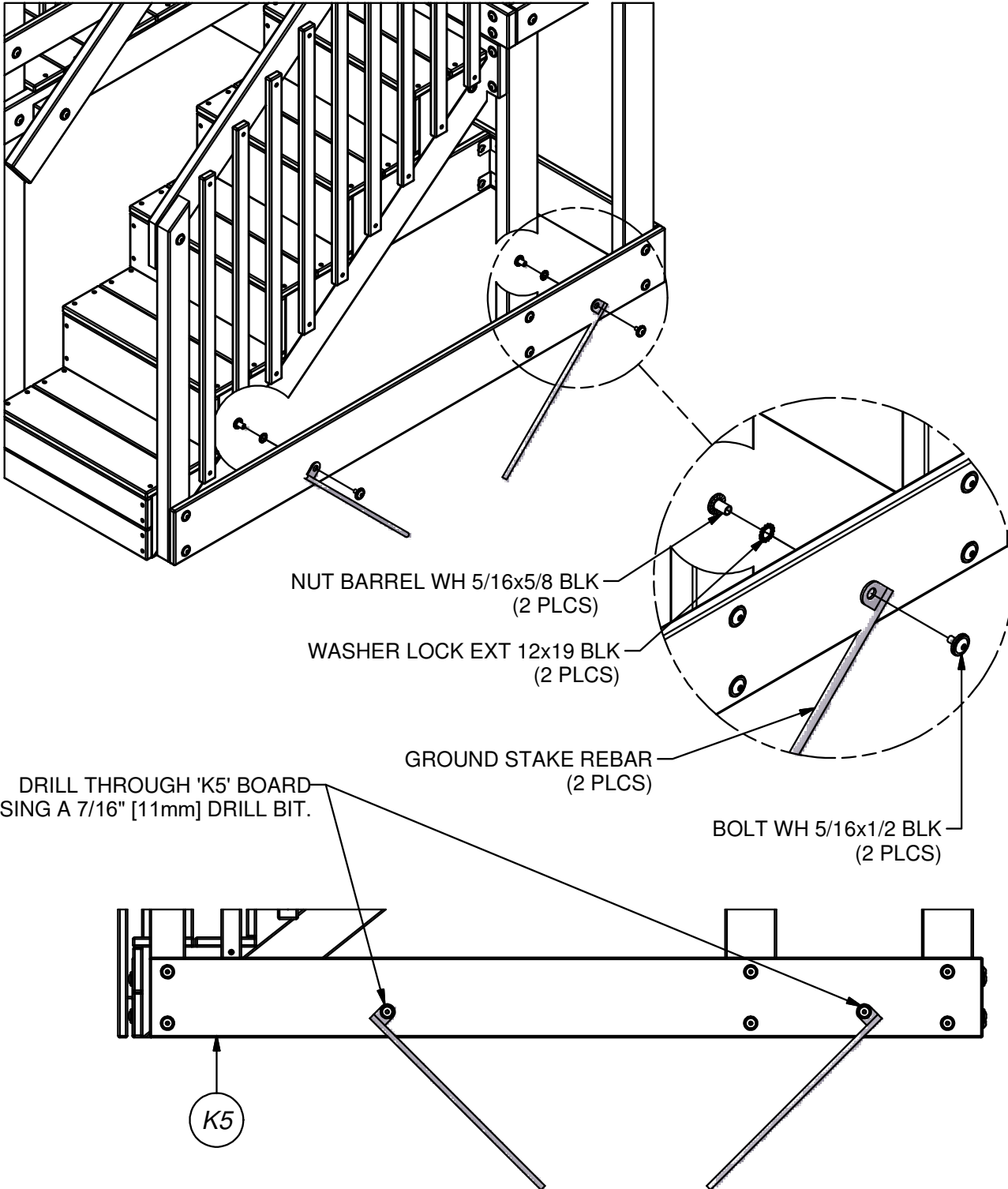
STEP 63





(2) - GROUND STAKE REBAR - A4M00527

STEP 64



(2) **BOLT WH**
5/16x1/2 BLK

(2) **WASHER**
LOCK EXT
12x19 BLK

(2) **NUT BARREL**
WH 5/16x5/8
BLK

NUT BARREL WH 5/16x5/8 BLK
(2 PLCS)

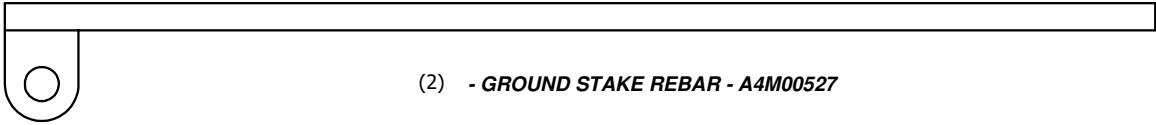
WASHER LOCK EXT 12x19 BLK
(2 PLCS)

GROUND STAKE REBAR
(2 PLCS)

BOLT WH 5/16x1/2 BLK
(2 PLCS)

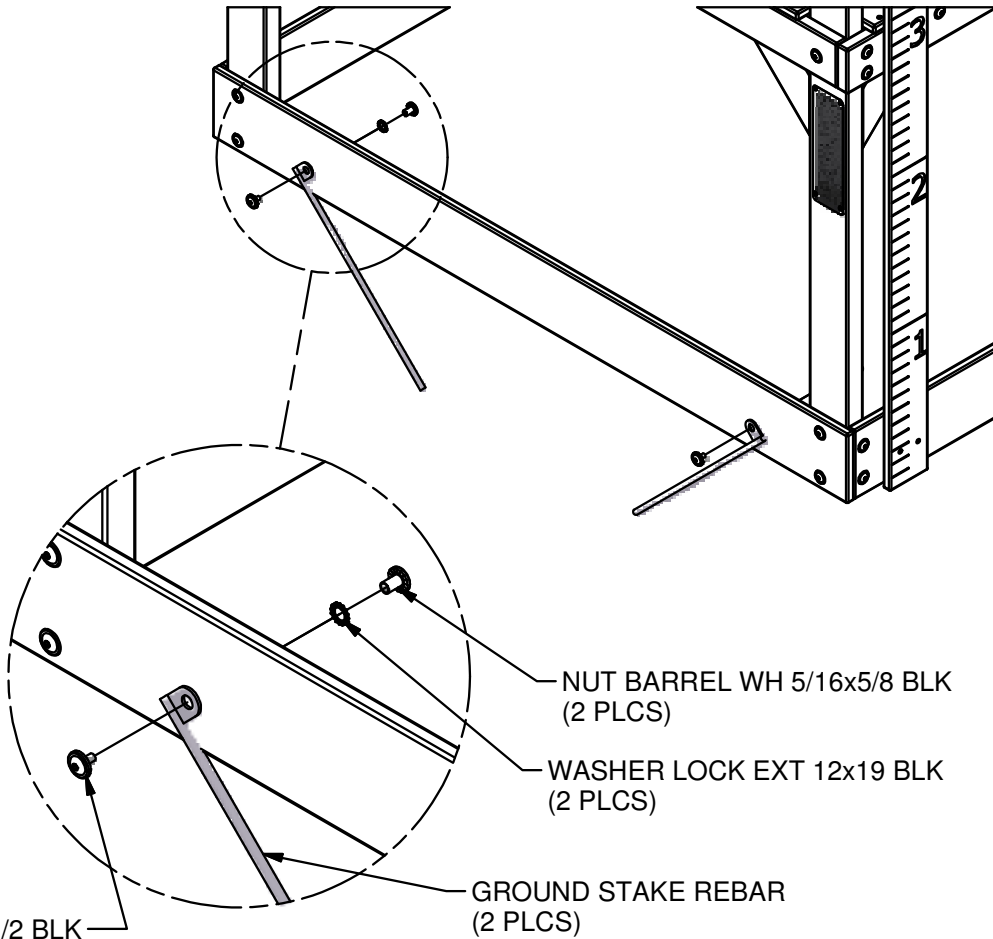
DRILL THROUGH 'K5' BOARD
USING A 7/16" [11mm] DRILL BIT.

APPROXIMATE STAKE LOCATIONS



(2) - GROUND STAKE REBAR - A4M00527

STEP 65

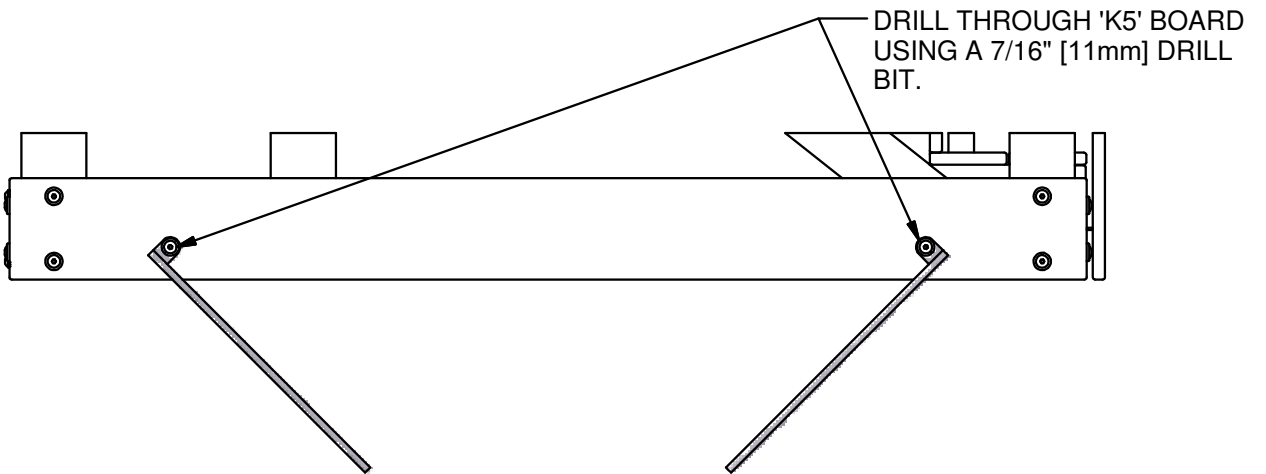


BOLT WH 5/16x1/2 BLK
(2 PLCS)

(2) BOLT WH 5/16x1/2 BLK

(2) WASHER LOCK EXT 12x19 BLK

(2) NUT BARREL WH 5/16x5/8 BLK



APPROXIMATE STAKE LOCATIONS