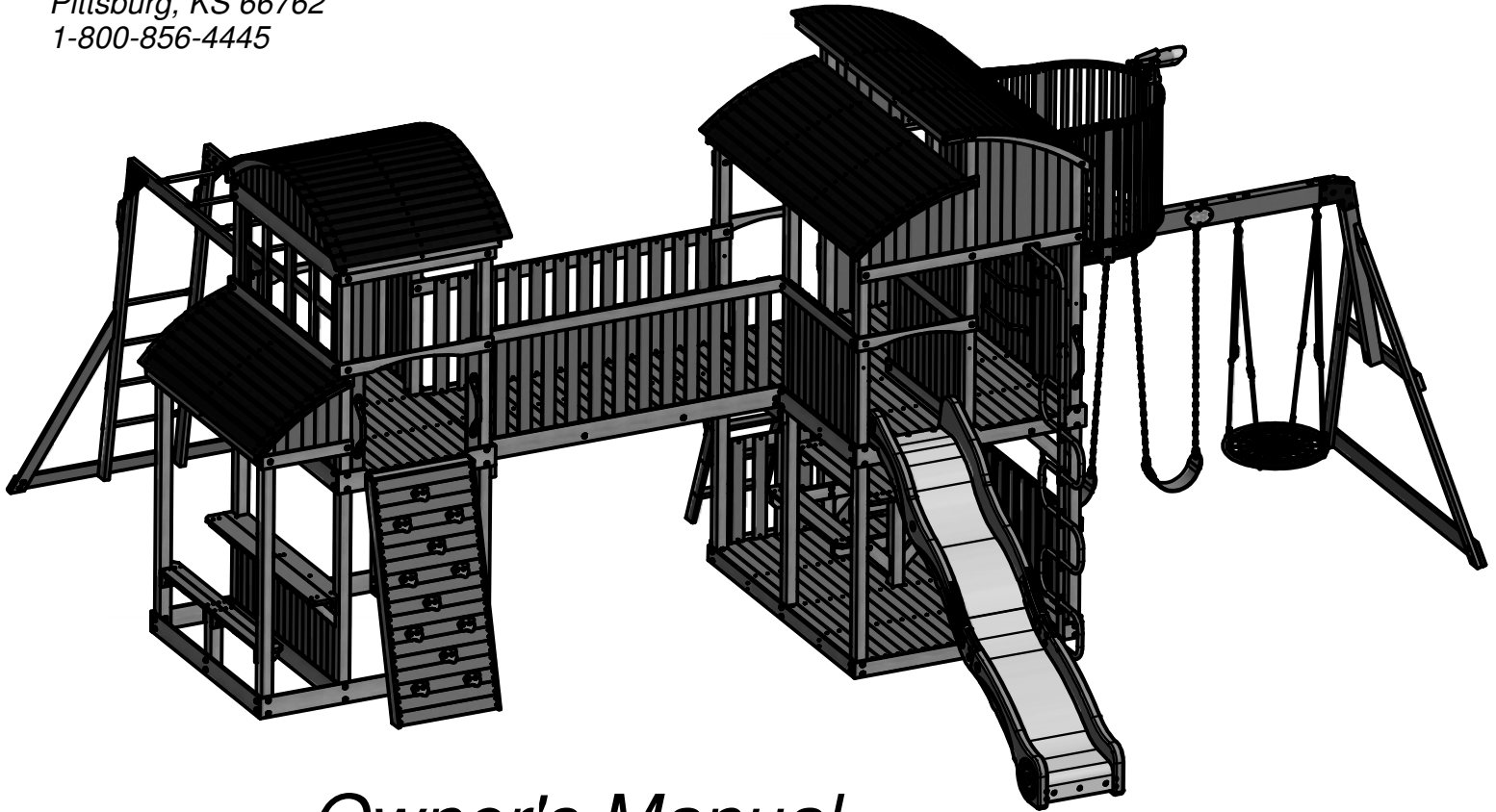




Grand Escape

WOODEN SWING SET
MODEL: # 1801028

Manufacturer:
Backyard Discovery
3305 Airport Drive
Pittsburg, KS 66762
1-800-856-4445



- *Owner's Manual*
- *Frequently Asked Questions*
- *Assembly Instructions*
- *Warranty Information*

Register your new swing set on-line @
www.backyarddiscovery.com (you will also find any updates on
assembly instructions and information to order replacement parts)

Features the  fastening system.

*Save this assembly manual for future reference in the event that
you need to order replacement parts.*

STOP PARE

Missing A Part?

**CALL US BEFORE GOING
BACK TO THE STORE!**

The store where you made your purchase
does not stock parts for this item.

If you have assembly questions or if you need parts,
whether they are missing or damaged

Call Toll-Free Help Line or visit www.backyarddiscovery.com

¡LLÁMENOS ANTES DE REGRESAR A LA TIENDA!

La tienda donde realizó la compra no almacena piezas de este producto.

Si tiene preguntas sobre el ensamblaje o si necesita piezas debido a que
faltan o están dañadas

llame gratis a la línea de ayuda

1-800-856-4445

PLEASE READ THIS BEFORE STARTING ASSEMBLY

POR FAVOR LEA ESTAS INSTRUCCIONES ANTES DE COMENZAR EL ENSAMBLAJE

- READ THE ASSEMBLY MANUAL COMPLETELY, PAYING SPECIAL ATTENTION TO THE IMPORTANT TIPS AND SAFETY INFORMATION.
- AFTER YOU HAVE READ THE ASSEMBLY MANUAL, YOU WILL BE ABLE TO DECIDE IF YOU NEED PROFESSIONAL HELP TO COMPLETE THE ASSEMBLY OF THE STRUCTURE.
- SEPARATE AND IDENTIFY ALL PARTS TO MAKE SURE THAT YOU HAVE ALL OF THE PARTS LISTED.
- IF YOU CAN'T FIND ALL OF THE PARTS, CHECK THE PACKING MATERIAL. SMALL PARTS MAY HAVE FALLEN INTO IT DURING SHIPMENT.
- IF YOU HAVE PROBLEMS WITH THE ASSEMBLY OR IF ANY PART IS MISSING OR DAMAGED, PLEASE CALL THE HELP LINE **1-800-856-4445 OR VISIT www.backyarddiscovery.com**
- LEA EL MANUAL DE ENSAMBLAJE COMPLETAMENTE, PRESTANDO ESPECIAL ATENCIÓN A LOS CONSEJOS ÚTILES IMPORTANTES Y A LA INFORMACIÓN SOBRE SEGURIDAD.
- DESPUÉS DE QUE HAYA LEÍDO EL MANUAL DE ENSAMBLAJE, PODRÁ DECIDIR SI NECESITA AYUDA PROFESIONAL PARA EFECTUAR EL ENSAMBLAJE DE LA ESTRUCTURA.
- SEPARE E IDENTIFIQUE TODAS LAS PIEZAS PARA COMPROBAR QUE DISPONE DE TODAS LAS PARTES INDICADAS.
- SI NO PUEDE ENCONTRAR TODAS LAS PIEZAS, REVISE EL MATERIAL DE EMPAQUE. ES POSIBLE QUE ALGUNAS PIEZAS PEQUEÑAS PUEDAN HABERSE CAÍDO ALLÍ DURANTE EL ENVÍO.
- MANTÉNGASE ALEJADO DE LOS NIÑOS MENORES A LA EDAD RECOMENDADA.
- SI TIENE PROBLEMAS CON EL ENSAMBLAJE O SI ALGUNA PIEZA FALTA O ESTÁ DAÑADA, LLAME A LA LÍNEA DE AYUDA AL **1-800-856-4445 O VISITE www.backyarddiscovery.com**

PLEASE HAVE THE FOLLOWING INFORMATION WHEN YOU MAKE YOUR CALL:

- 1 – MODEL NUMBER OF THE PRODUCT LOCATED ON THE FRONT OF THE ASSEMBLY MANUAL
- 2 – DESCRIPTION OF THE PART FROM THE PARTS LIST

POR FAVOR TENGA VISIBLE LA SIGUIENTE INFORMACIÓN CUANDO LLAME:

- 1 - NÚMERO DE MODELO DEL PRODUCTO QUE SE ENCUENTRA UBICADO AL FRENTE DEL MANUAL DE ENSAMBLAJE
- 2 - DESCRIPCIÓN DE LA PIEZA QUE SE ENCUENTRA EN LA LISTA DE PIEZAS

Owner's Manual Play Set

Dear Customer:

Please read entire booklet completely before beginning the assembly process.

Equipment is recommended for use by **children 3 to 10 years of age**. Structures are **not intended for public use**. **The Company does not warranty any of its residential structures subjected to commercial use such as: Daycare, Preschool, Nursery School, Recreational Park, or any similar Commercial Application.**



WARNING: This Symbol points out important safety instructions which, if not followed, could endanger the personal safety of yourself and your children and/or damage your property. You **MUST** read and follow all instructions in this manual before attempting to use this playcenter.



WARNING: Children must **NOT** use this playcenter until unit has been completely assembled and inspected by an adult to insure set has been properly installed and anchored.

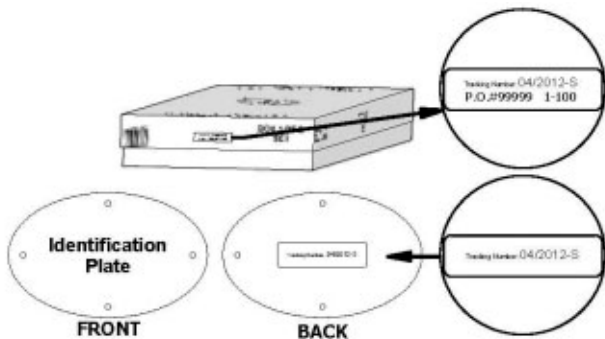
Please follow all recommendations below. **Failure to do so may result in the warranty being void and/or safety violations that could result in serious injury.** This manual contains helpful information concerning Assembly Preparation, Installation Procedure, and Required Maintenance. Always keep the safety of your children in mind as your play structure is being built and as your children play on the set. Before your children play on the set please review the Operation Instructions with them to help ensure their safety.

PLEASE RETAIN THESE INSTRUCTIONS FOR FUTURE REFERENCE. KEEP THEM IN A SAFE PLACE WHERE YOU CAN REFER TO THEM AS NEEDED. IN ORDER TO PROVIDE YOU WITH THE MOST EFFICIENT SERVICE, IT IS REQUIRED THAT YOU PROVIDE US WITH THE PART NUMBERS WHEN ORDERING PARTS.

For Your Records:

Please take time and fill out the information below. This information will be needed for warranty issues.

Where Purchased: _____
 Date of Purchase: _____
 Installation Date: _____
 Installed by: _____
 Tracking Number: _____



OR



Vertical ID Plate

Tracking Number Reference Label

Tracking ID number on the carton and back of the ID plate or vertical ID plate are included for tracking purposes associated with warranty claims.

Owner's Manual Play Set

Please refer to the Assembly section of the Assembly Manual for Maximum Fall Height.

Positioning Your Playcenter

1. The Playcenter is designed to be installed on a level surface **by an Adult with an Adult helper**. Place in a flat area of your yard to minimize ground preparation.
2. Choose a level location for the equipment. This can reduce the likelihood of the play set tipping over and loose-fill surfacing material washing away during heavy rains.
3. Place the equipment not less than **6 ft (1.8 m)** from any structure or obstruction such as a fence, garage, house, overhanging branches, laundry lines, or electrical wires.
4. Provide enough room so that the children can use the equipment safely. For example, for structures with multiple play activities, a slide should not exit in front of a swing.
5. It is a good idea to place your Playcenter in an area that is convenient for adults to watch children at play.
6. Create a site free of obstacles that could cause injuries – such as low overhanging tree branches, overhead wires, tree stumps and/or roots, large rocks, bricks and concrete. Additional suggestions in the Suggested Playground Surfacing Section.
7. Do not build your playset on top of surfacing material.
8. Locate bare metal platforms and slides out of direct sunlight to reduce the likelihood of serious burns. A slide that faces north will receive the least direct sunlight.
9. Separate active and quiet activities from each other. For example, locate sandboxes away from swings or use a guardrail or barrier to separate the sandbox from the movement of the swings.

Suggested Playground Surfacing

- ❑ Do not install home playground equipment over concrete, asphalt, packed earth, grass, carpet, or any other hard surface. A fall onto a hard surface can result in serious injury to the equipment user.
- ❑ Do not install loose fill surfacing over hard surfaces such as concrete or asphalt.
- ❑ Shredded bark mulch, wood chips, fine sand and fine gravel, are added as shock absorbing materials after assembly. If used properly these materials can absorb some of the impact of a child's fall.
- ❑ All surface material should extend a minimum of 6 feet in all directions around the play area.
- ❑ Do not apply playground surfacing until after the unit is completely constructed. Playset should not be built on top of surfacing.
- ❑ Use containment, such as digging out around the perimeter and/or lining the perimeter with landscape edging.
- ❑ Installations of rubber tiles or poured-in-place surfaces (other than loose-fill materials) generally require a professional and are not "do-it-yourself" projects.
- ❑ Shall use Playground Surfacing Materials (other than loose-fill material) which comply with the safety standard ASTM F1292 Standard Specification of Impact Attenuation of Surfacing Materials within the Use Zone of Playground Equipment.

Owner's Manual Play Set

The following chart explains the fall height in feet from which a life threatening head injury would not be expected

Critical Heights in feet (m) of Tested Materials

Material	Uncompressed Depth			Compressed Depth
	6" (152mm)	9" (228mm)	12" (304mm)	to 9" (228mm)
Wood Chips	7' (2.13m)	10' (3.05m)	11' (3.35m)	10' (3.05m)
Double-Shredded bark mulch	6' (1.83m)	10' (3.05m)	11' (3.35m)	7' (2.13m)
Engineered Wood Fibers	6' (1.83m)	7' (2.13m)	>12' (3.66m)	6' (1.83m)
Fine Sand	5' (1.52m)	5' (1.52m)	9' (2.74m)	5' (1.52m)
Coarse Sand	5' (1.52m)	5' (1.52m)	6' (1.83m)	4' (1.22m)
Fine Gravel	5' (1.52m)	7' (2.13m)	10' (3.05m)	6' (1.83m)
Medium Gravel	5' (1.52m)	5' (1.52m)	6' (1.83m)	5' (1.52m)
Shredded Tires*	10-12' (3.0-3.6m)	N/A	N/A	N/A

*This data is from tests conducted by independent testing laboratories on a 6-inch depth of uncompressed shredded tire samples produced by four manufacturers. The tests reported critical heights, which varied from 10 feet to greater than 12 feet. It is recommended that persons seeking to install shredded tires as a protective surface request test data from the supplier showing the critical height of the material when it was tested in accordance with ASTM F1292.

Operating Instructions:



NOTE: Your children's safety is our #1 concern. Observing the following statements and warnings reduces the likelihood of serious or fatal injury. Please review these safety rules regularly with your children.

1. This Playcenter is designed for specific number of occupants whose combined weight **should not exceed** a designated weight on the elevated floor or the swing area, the total Unit capacity is outlined in the Basic Setup Dimensions section of instruction manual. The maximum fall height and recommended play area is also available in the Basic Setup Dimensions section of the manual for the specific unit.
2. On-site adult supervision is **required**.
3. Instruct children **not** to walk close to, in front of, behind, or between moving swings or other moving playground equipment.
4. Instruct children to sit in and **never** stand on swings
5. Instruct children **not** to twist the chains and ropes and not to loop them over the top support bar, since this may reduce the strength of the chain or rope.
6. Instruct children **not** to jump from swings or other playground equipment in motion.
7. Instruct children to **not to push** empty seats. The seat may hit them and cause serious injury.
8. Instruct and teach children to sit in the center of the swings with their full weight on the seats.
9. Instruct children **not** to use the equipment in a manner other than intended.
10. Instruct children to **always** go down slides feet first. Never slide head first.
11. Instruct children to **look** before they slide to make sure no one is at the bottom.
12. Instruct children to **never** run up a slide, as this increases their chances of falling.
13. The parents should **dress children appropriately**. (Examples would include the use of well-fitting shoes and the avoidance of ponchos, scarfs, and other loose-fitting clothing that is potentially hazardous while using equipment).
14. Instruct children **not** to climb when the equipment is wet.
15. Instruct children to **never** jump from a fort deck. They should always use the ladder, ramp or slide.
16. Instruct children to **never** crawl or walk across the top of monkey bars.
17. Instruct children to **never** crawl on top of a fort roof.

Owner's Manual Play Set

18. Verify that any suspended climbing ropes, chain, or cable are secured at both ends and that they cannot be looped back on it.
19. Instruct children **not** to attach items to the playground equipment that are not specifically designed for use with the equipment, such as, but not limited to, jump ropes, clothesline, pet leashes, cables and chain as they may cause a strangulation hazard.
20. Instruct children to **never** wrap their legs around swing chain.
21. Instruct children to **never** slide down the swing chain.
22. Instruct children to remove their bike or other sports helmet before playing on playground equipment.

Maintenance Instructions:

At the beginning of each play season:

- Tighten all hardware.
- Lubricate all metallic moving parts per manufacturer's instructions.
- Check all protective coverings on bolts, pipes, edges, and corners. Replace if they are loose, cracked, or missing.
- Check all moving parts including swing seats, ropes, cables, and chains for wear, rust, or other deterioration. Replace as needed.
- Check metal parts for rust. If found, sand and repaint using a non Lead-based paint meeting the requirements of 16 CFR 1303.
- Check all wood members for deterioration and splinters. Sand down splinters and replace deteriorating wood members.
- Reinstall any plastic parts, such as swing seats or any other items that were removed for the cold season.
- Rake and check depth of loose fill protective surfacing materials to prevent compaction and to maintain appropriate depth. Replace as necessary.

Twice a month during play season:

- Tighten all hardware.
- Check all protective coverings on bolts, pipes, edges, & corners. Replace if they are loose, cracked, or missing.
- Rake and check depth of loose fill protective surfacing materials to prevent compaction and to maintain appropriate depth. Replace as necessary.
- Once a month during play season.
- Lubricate all metallic moving parts per manufacturer's instructions.
- Check all moving parts including swing seats, ropes, cables, and chains for wear, rust, or other deterioration. Replace as needed.

At the end of each play season or when the temperature drops below 32° F:

- Remove plastic swing seats and other items as specified by the manufacturer and take indoors or do not use.
- Rake and check depth of loose fill protective surfacing materials to prevent compaction and to maintain appropriate depth. Replace as necessary.

Owners shall be responsible for maintaining the legibility of the warning labels.

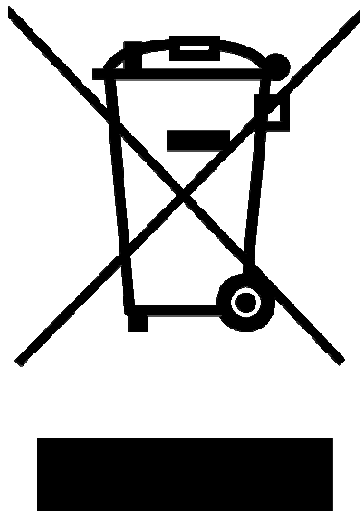
Owner's Manual Play Set

Additional Maintenance:

- Check the swing beam and hardware every two weeks due to wood expansion and contraction. It is particularly important that this procedure be followed at the beginning of each season.
- Inspect wood parts monthly. The grain of the wood sometimes will lift in the dry season causing splinters to appear. Light sand may be necessary to maintain a safe playing environment. Treat your playset with stain regularly, to help prevent severe checking/splitting and other weather damage.
- A waterbourne transparent stain has been applied to your playset. This is done for color only. Once or twice a year, depending on your climate conditions, you must apply some type of protection (sealant) to the wood of your unit. Prior to the application of sealant, lightly sand any "rough" spots on your playset. **Please note this is a requirement of your warranty.**
- Assembling and maintaining the playset on a level location is very important. As your children play, your playset will slowly dig its way into the soil, and it is very important that it settles evenly. Make sure the playset is level and true one each year or at the beginning of each play season.

Disposal Instructions:

When the Playcenter use is no longer desired, it should be disassembled and disposed of in such a way that no unreasonable hazards will exist at the time the unit is discarded.



Third Party Assembly:

Customer may, in their sole discretion, elect to use a third party person or service to assemble this product. Backyard Discovery assumes no responsibility or liability for any charge incurred by the Customer for any assembly services'.

Please see our warranty for more information about damaged and missing part replacement coverage. Backyard Discovery will not reimburse Customer for the price of parts purchased.

APPENDIX A

Information on Playground Surfacing Materials:

The following information is from the **United States Consumer Product Safety Commission's Information Sheet for playground surfacing material**; also see the following website for additional information: www.cpsc.gov/cpscpub/pubs/323.html.

X3. SECTION 4 OF THE CONSUMER PRODUCT SAFETY COMMISSION'S OUTDOOR HOME PLAYGROUND SAFETY HANDBOOK⁹

X3.1 *Select Protective Surfacing*—One of the most important things you can do to reduce the likelihood of serious head injuries is to install shock-absorbing protective surfacing under and around your play equipment. The protective surfacing should be applied to a depth that is suitable for the equipment height in accordance with ASTM Specification F 1292. There are different types of surfacing to choose from; whichever product you select, follow these guidelines:

X3.1.1 Loose-Fill Materials:

X3.1.1.1 Maintain a minimum depth of 9 inches of loose-fill materials such as wood mulch/chips, engineered wood fiber (EWF), or shredded/recycled rubber mulch for equipment up to 8 feet high; and 9 inches of sand or pea gravel for equipment up to 5 feet high. NOTE: An initial fill level of 12 inches will compress to about a 9-inch depth of surfacing overtime. The surfacing will also compact, displace, and settle, and should be periodically refilled to maintain at least a 9-inch depth.

X3.1.2 Use a minimum of 6 inches of protective surfacing for play equipment less than 4 feet in height. If maintained properly, this should be adequate. (At depths less than 6 inches, the protective material is too easily displaced or compacted.) NOTE: Do not install home playground equipment over concrete, asphalt, or any other hard surface. A fall onto a hard surface can result in serious injury to the equipment user. Grass and dirt are not considered protective surfacing because wear and environmental factors can reduce their shock absorbing effectiveness. Carpeting and thin mats are generally not adequate protective surfacing. Ground level equipment such as a sandbox, activity wall, playhouse or other equipment that has no elevated play surface – does not need any protective surfacing.

X3.1.3 Use containment, such as digging out around the perimeter and/or lining the perimeter with landscape edging. Don't forget to account for water drainage.

X3.1.3.1 Check and maintain the depth of the loose-fill surfacing material. To maintain the right amount of loose-fill materials, mark the correct level on play equipment support posts. That way you can easily see when to replenish and/or redistribute the surfacing.

X3.1.3.2 **Do not** install loose-fill surfacing over hard surfaces such as concrete or asphalt.

X3.1.4 Poured-In-Place Surfaces or Pre-Manufactured Rubber Tiles — You may be interested in using surfacing other than loose-fill materials – like rubber tiles or poured-in-place surfaces.

X3.1.4.1 Installations of these surfaces generally require a professional and are not “do-it-yourself” projects.

X3.1.4.2 Review surface specification before purchasing this type of surfacing. Ask the installer/manufacturer for a report showing that the product has been tested to the following safety standard: ASTM F 1292 Standard Specification for Impact Attenuation of Surfacing Materials within the Use Zone of Playground Equipment. This report should show the specific height for which the surface is intended to protect against serious head injury. This height should be equal to or greater than the fall height – vertical distance between a designated play surface (elevated surface for standing, sitting, or climbing) and the protective surfacing below – of your play equipment.

X3.1.4.3 Check the protective surfacing frequently for wear.

X3.1.5 Placement — Proper placement and maintenance of protective surfacing is essential. Be sure to:

X3.1.5.1 Extend surfacing at least 6 feet from the equipment in all directions.

X3.1.5.2 For to-fro swings, extend protective surfacing in front of and behind the swing to a distance equal to twice the height of the top bar from which the swing is suspended.

⁹ This information has been extracted from the CPSC publications “Playground Surfacing — Technical Information Guide” and “Handbook for Public Playground Safety.” Copies of these reports can be obtained by sending a postcard to the: Office of Public Affairs, U.S. Consumer Product Safety Commission, Washington, D.C., 20207 or call the toll-free hotline: 1-800-638-2772.

The American Society for Testing and Materials takes no position respecting the validity of any parent right asserted in connection with any item mentioned in this standard. Users of this standard are expressly advised that determination of the validity of any such parent rights, and the risk of infringement of such rights, are entirely their own responsibility.

The standard is subject to revision at any time by the responsible technical committee and must be reviewed every five years and if not revised, either approved or withdrawn. Your comments are invited either for revision of this standard or for additional standards and should be addressed to ASTM Headquarters. Your comments will receive careful consideration at a meeting of the responsible technical committee, which you may attend. If you feel that your comments have not received a fair hearing you should make your views known to the ASTM Committee on Standards. 100 Barr Harbor Drive, West Conshohocken, PA 19428.

Play Set Assembly Manual FAQs:

1. Does the area for the playset need to be level?

Yes. Backyard Discovery recommends the playset be positioned on a flat level area for maximum safety and durability. The stakes provided should be used to secure it firmly to the ground.

2. What size area is recommended for the playset?

Backyard Discovery recommends at least a 6' (six foot) perimeter around and above the playset for maximum safety.

3. What age range is appropriate for the playsets?

Backyard Discovery playsets are recommended for children ages 3 – 10 years.

4. Is the wood treated with chemicals?

Backyard Discovery uses 100% Chinese Cedar wood which is naturally bug resistant, decay and rot resistant. To help ensure your child's safety, our wood is completely chemical free and we do not use pressure-treated wood. The stain we use is a top coat using a water-based product that is for appearance only.

5. How often should the playset be stained?

Backyard Discovery recommends the playset be stained once each year. A water or oil based stain can be used at the customer's discretion.

6. Why does it seem that my swing set is developing cracks?

Wood is a natural material; no two pieces are exactly alike. Each piece has its own characteristics and personality and reacts differently to climate changes. When any wood product is exposed to the elements, it develops "wood checks". A check is the radial separation of the wood fibers running with the grain of the wood. These are caused by the varying temperature and moisture conditions. A check is not a crack – it does not affect the strength or durability of the wood or structural integrity of the play set.

7. Do Backyard Discovery playsets come with a warranty?

Yes. All Backyard Discovery products carry a 1-year replacement warranty on all parts for manufacturer's defect. Our wood carries a 5 year warranty on rot and decay as well. Please see warranty details for more information.

8. What is the best way to get started assembling the playset?

Backyard Discovery recommends taking all the parts out of the boxes and arranging them by part number before you begin any assembly. This will not only allow faster assembly, but will also identify any parts that may be missing or damaged so they can be replaced before assembly. If parts are missing or need replacement, go to www.swingsetonline.com/support.aspx and follow the prompts to order them. Next, read the assembly manual and get the tools ready for the job as recommended in the manual. If the assembly manual is lost or misplaced a new one can be printed from Backyard Discovery's website: www.swingsetonline.com.

9. The playset seems to rock or sway too much. What's wrong?

Rocking is caused by uneven ground or obstructions such as rocks, roots, etc. under the ground rails. These should be removed and the ground underneath re-leveled to prevent rocking. Also ensure the playset is securely staked to the ground using the stakes provided.

10. The 2"x4" boards do not measure 2"x 4". Why not?

In the U.S. it is common practice to describe lumber dimensions using the rough cut sizes from the sawmill and not the finished dimensions. Retailers, home stores, etc. all use this accepted practice for describing lumber dimensions. However, Backyard Discovery playsets are designed and constructed using the actual dimensions so everything fits properly and remains so during the life of the playset.

11. The end beam is not straight up and down. Why not?

This is normal. Backyard Discovery designs playsets this way to ensure the strongest structure possible. The slight angle adds strength and reduces rocking and twisting.

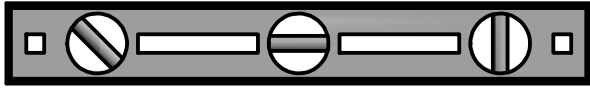
12. The S-hooks for the swings won't close. What is wrong?

Backyard Discovery recommends placing them on a hard surface such as concrete (don't do this on anything that will dent such as metal or finished wood or glass which will break!). It will take quite a few strokes, but the hooks will close.

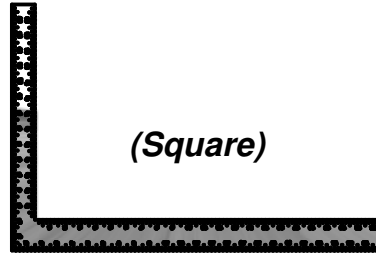
For more information and frequently asked questions, please refer to our website at www.swingsetonline.com.

Tools Required for Installation:

(These are the tools that are generally required for assembly of our outdoor products. These tools are not included with the outdoor product purchase.)



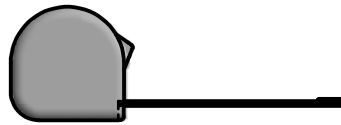
(Level 24")



(Square)



*(Open End Wrenches
9/16" & 1/2")*



(Tape Measure)



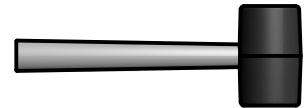
(Claw Hammer)



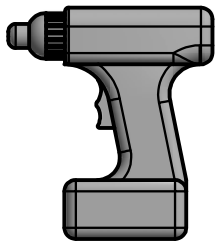
(Phillips Screw Driver)



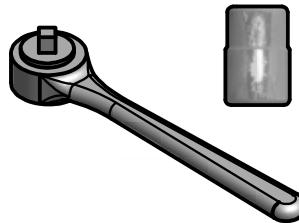
*(Drill Attachments:
Phillips Head)*



(Rubber Mallet - Optional)



*(Cordless Drill
or Electric Drill)*



*(3/8" Drive Ratchet, 9/16"
& 1/2" STD Socket)*



*(3/8" & 7/16"
Drill Bit)*



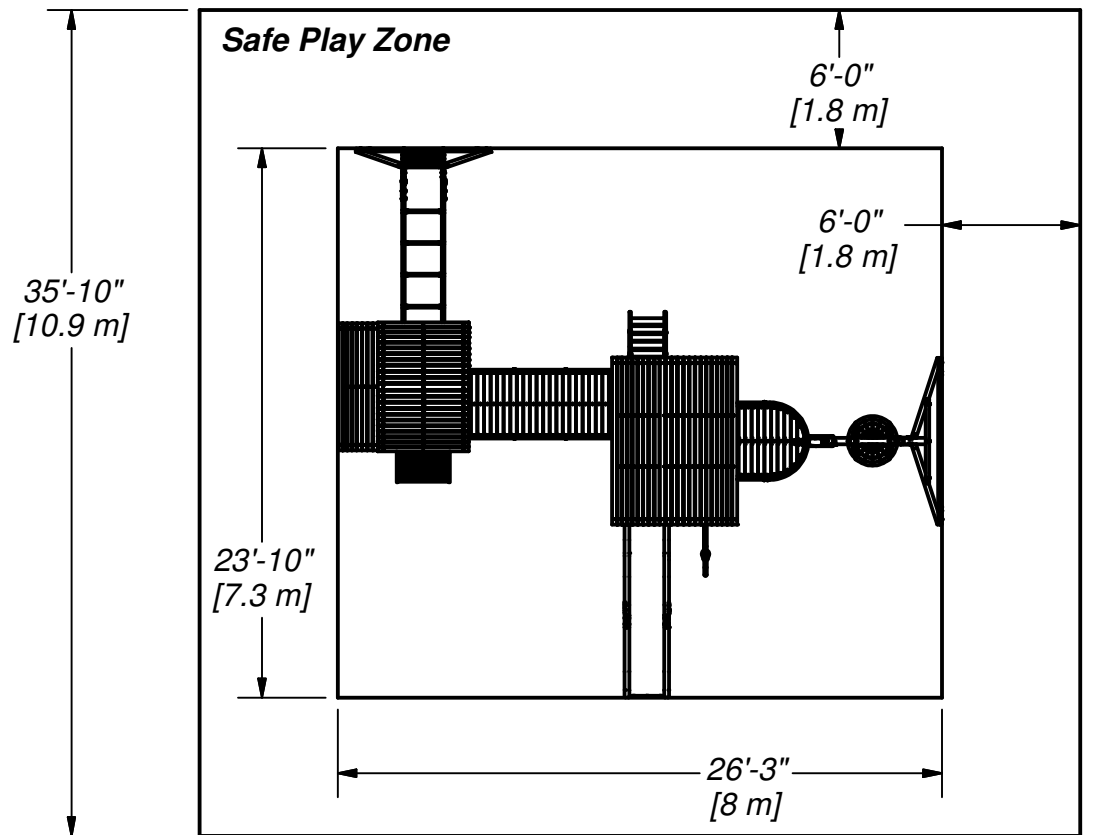
(An Adult w/ an Adult Helper)



(Ladder)

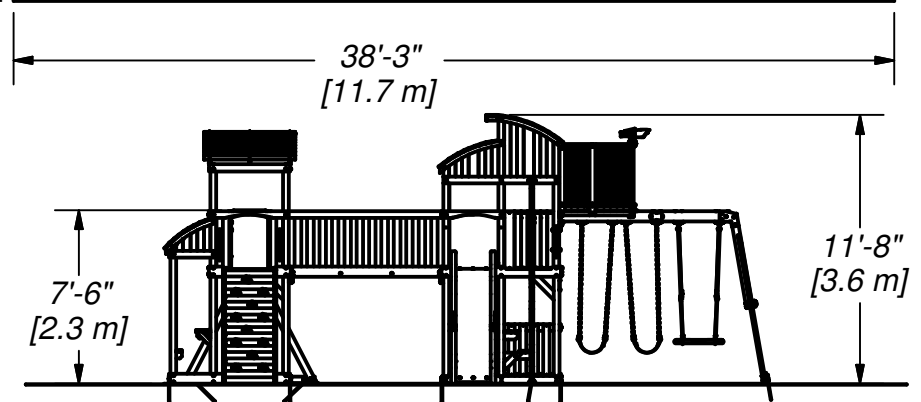
Basic Setup Dimensions

Place the set on level ground, not less than 6 ft [2 m] from any structure or obstruction such as a fence, garage, house, overhanging branches, laundry lines, or electrical wires.



General Information:

Your set has been designed and engineered for children only and for residential use only. A maximum of 150 lbs. per child is recommended for play activities designed for individual use. A maximum of 120 lbs. per child is recommended for play activities designed for multiple child use. A maximum of 9 children is recommended for this swing set.



Safe play height: 17'-8" [5.4 m]
Maximum fall height: 7'-6" [2.3 m]

Important Assembly Notes

- 1) While assembling unit, take time before and after each phase to make sure fort is level. If fort is not level, assembly will be difficult and improper assembly may result. Extra care must be taken to ensure the fort is square.
- 2) Tighten bolts securely, tighten nuts on bolts flush to the tube or member.
- 3) Pay close attention to the ITEMS NEEDED FOR EACH PHASE. They can be a valuable aid when sorting your wood and hardware. Assembly will be made easier if items are sorted by phase.
- 4) Pay close attention to make sure you are using the correct hardware in the correct phases. Using incorrect hardware may result in improper assembly.
- 5) Whenever a T-nut is used, follow these directions. Place T-nut in pre-drilled hole. Tap in with hammer. Place bolt with washers in the opposite side. Hand tighten to make sure the bolt is in the T-nut. DO NOT over tighten.
- 6) Read the steps of each phase thoroughly. The written steps may include important information not shown in the illustrations.

Parts Identification

Wood Components

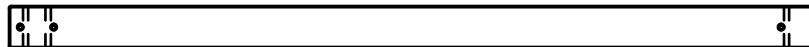
(NOT TO SCALE)



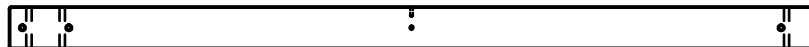
(1) **A1 - SWING BEAM - W4L08001**
3 3/8"x5 1/4"x89 1/2" (86x134x2274)



(1) **B01 - UPRIGHT - W4L07870**
3"x3"x59" (76x76x1500)



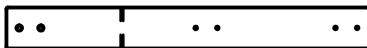
(3) **B02 - UPRIGHT - W4L07871**
3"x3"x59" (76x76x1500)



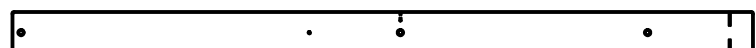
(1) **B03 - UPRIGHT - W4L07873**
3"x3"x59" (76x76x1500)



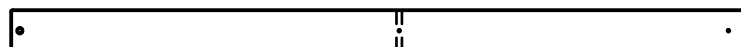
(1) **B04 - UPRIGHT - W4L07896**
3"x3"x59" (76x76x1500)



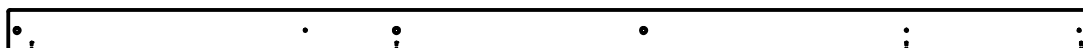
(1) **B05 - UPRIGHT - W4L07872**
3"x3"x26 1/2" (76x76x672)



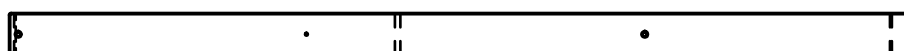
(2) **B06 - UPRIGHT - W4L07901**
3"x3"x54" (76x76x1372)



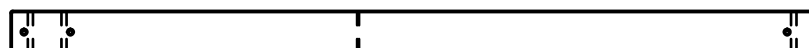
(2) **B07 - UPRIGHT - W4L07909**
3"x3"x54" (76x76x1372)



(2) **B08 - UPRIGHT - W4L07902**
3"x3"x79" (76x76x2006)



(2) **B09 - UPRIGHT - W4L07903**
3"x3"x66" (76x76x1676)



(4) **B10 - UPRIGHT - W4L07939**
3"x3"x59" (76x76x1500)

Parts Identification

Wood Components

(NOT TO SCALE)



(1) **B11 - UPRIGHT - W4L07938**
3"x3"x72 3/4" (76x76x1848)



(1) **B12 - UPRIGHT - W4L07940**
3"x3"x59" (76x76x1500)



(1) **B13 - UPRIGHT - W4L07942**
3"x3"x16 1/2" (76x76x420)



(4) **B14 - UPRIGHT - W4L07952**
3"x3"x59" (76x76x1500)



(1) **B15 - UPRIGHT - W4L08411**
3"x3"x72 3/4" (76x76x1848)



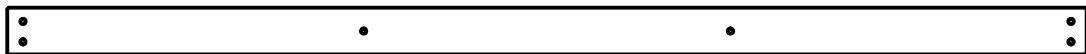
(7) **E01 - GUSSET - W4L07897**
1 3/8"x3 3/8"x20" (36x86x508)



(4) **E04 - GUSSET - W4L07898**
1 3/8"x3 3/8"x13 3/4" (36x86x350)



(1) **E05 - UPRIGHT - W4L07915**
1 3/8"x3 3/8"x66 1/2" (36x86x1690)



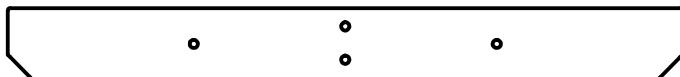
(2) **E06 - BRIDGE SUPPORT - W4L07931**
1 3/8"x3 3/8"x78 3/4" (36x86x2000)



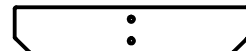
(2) **E07 - BRIDGE SUPPORT - W4L07978**
1 3/8"x3 3/8"x41 5/8" (36x86x1058)



(2) **E08 - UPRIGHT - W4L07983**
1 3/8"x3 3/8"x66 1/8" (36x86x1678)



(2) **E09 - BENCH SUPPORT - W4L07899**
1 3/8"x3 3/8"x32" (36x86x812)



(2) **E10 - TABLE SUPPORT - W4L07900**
1 3/8"x3 3/8"x17" (36x86x432)

Parts Identification

Wood Components

(NOT TO SCALE)



(2) **E11 - UPRIGHT - W4L07985**
1 3/8"x3"x37" (36x76x940)



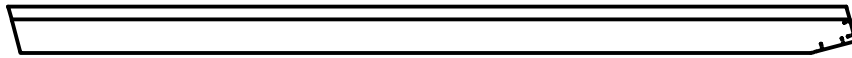
(2) **E12 - UPRIGHT - W4L07984**
1 3/8"x3"x35" (36x76x889)



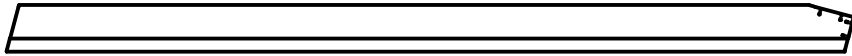
(1) **E50 - END SUPPORT - W4L08004**
1 3/8"x3 3/8"x44 1/8" (36x86x1120)



(2) **E51 - ANGLE BRACE - W4L08003**
1 3/8"x3 3/8"x88 3/4" (36x86x2254)



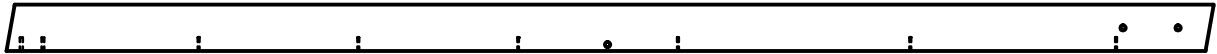
(1) **E72 - LEFT RAIL - W4L08400**
1 3/8"x3 3/8"x61 3/4" (36x86x1570)



(1) **E73 - RIGHT RAIL - W4L08401**
1 3/8"x3 3/8"x61 3/4" (36x86x1570)



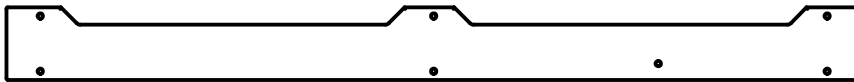
(2) **E74 - MONKEY BAR RAIL - W4L08407**
1 3/8"x3 3/8"x77 1/8" (36x86x1959)



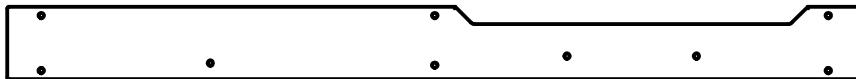
(2) **E79 - MONKEY BAR UPRIGHT - W4L08408**
1 3/8"x3 3/8"x88 1/8" (36x86x2237)



(1) **F2 - UPRIGHT - W4L07986**
1 3/8"x2 3/8"x35" (36x60x888)



(1) **G01 - DECK RAIL - W4L07892**
1"x5 1/4"x62 3/8" (24x134x1584)



(1) **G02 - DECK RAIL - W4L07888**
1"x5 1/4"x62 3/8" (24x134x1584)

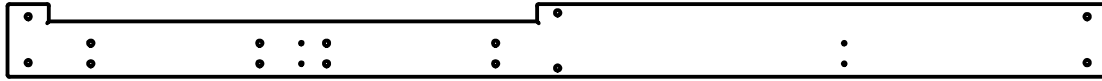


(1) **G03 - DECK RAIL - W4L07889**
1"x5 1/4"x80 1/4" (24x134x2038)

Parts Identification

Wood Components

(NOT TO SCALE)



(1) **G04 - DECK RAIL - W4L07893**
1"x5 1/4"x80 1/4" (24x134x2038)



(4) **G05 - ROOF TRUSS - W4L07919**
1"x5 1/4"x37 1/8" (24x134x942)



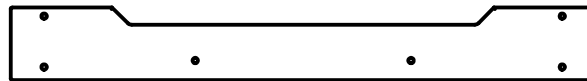
(2) **G06 - ROOF TRUSS - W4L07926**
1"x5 1/4"x35 3/8" (24x134x900)



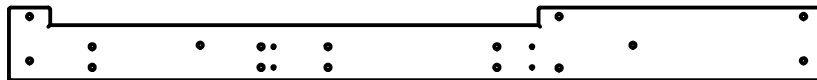
(2) **G07 - ROOF TRUSS - W4L07923**
1"x5 1/4"x31 9/16" (24x134x802)



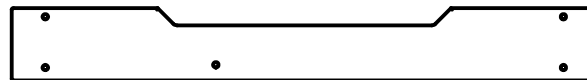
(2) **G08 - BRIDGE RAIL - W4L07930**
1"x5 1/4"x80 5/8" (24x134x2048)



(1) **G09 - DECK RAIL - W4L07947**
1"x5 1/4"x42 5/8" (24x134x1084)



(1) **G10 - DECK RAIL - W4L07946**
1"x5 1/4"x59 1/2" (24x134x1510)



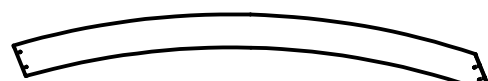
(1) **G11 - DECK RAIL - W4L07948**
1"x5 1/4"x42 5/8" (24x134x1084)



(1) **G12 - DECK RAIL - W4L07949**
1"x5 1/4"x59 1/2" (24x134x1510)



(4) **G13 - ROOF TRUSS - W4L07961**
1"x5 1/4"x35 7/8" (24x134x910)



(2) **G14 - ROOF TRUSS - W4L07966**
15/16"x5 1/4"x35 1/16" (24x134x890)

Parts Identification

Wood Components

(NOT TO SCALE)



(2) **G15 - ROOF TRUSS - W4L07971**
1 1/2"x5 1/4"x31 1/2" (37x134x801)



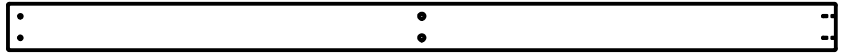
(1) **G16 - ROOF TRUSS - W4L07975**
1"x5 1/4"x28 3/4" (24x134x731)



(1) **G50 - GROUND BOARD - W4L08005**
1"x5 1/4"x86 3/4" (24x134x2202)



(4) **H01 - FLOOR SUPPORT - W4L07878**
1"x3 3/8"x25 5/8" (24x86x652)



(1) **H02 - JOIST - W4L07879**
1"x3 3/8"x60 3/8" (24x86x1534)



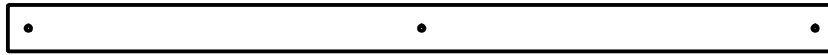
(4) **H03 - JOIST - W4L07880**
1"x3 3/8"x60 1/2" (24x86x1536)



(5) **H04 - BLOCK - W4L07881**
1"x3 3/8"x3" (24x86x76)



(1) **H06 - ROOF RAIL - W4L07920**
1"x3 3/8"x80 1/4" (24x86x2038)



(1) **H07 - WALL RAIL - W4L07905**
1"x3 3/8"x60 3/8" (24x86x1534)



(2) **H12 - BRIDGE RAIL - W4L07933**
1"x3 3/8"x86 5/8" (24x86x2200)



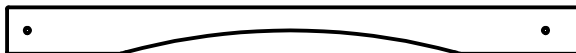
(2) **H13 - JOIST - W4L07950**
1"x3 3/8"x40 3/4" (24x86x1036)



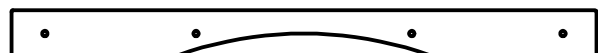
(2) **H14 - RAIL - W4L07979**
1"x3 3/8"x38 3/8" (24x86x976)



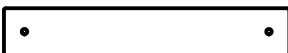
(1) **H15 - JOIST - W4L07895**
1"x3 3/8"x60 3/8" (24x86x1534)



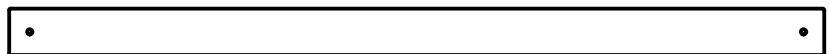
(1) **H16 - ARCH RAIL - W4L07958**
1"x3 3/8"x41 3/4" (24x86x1060)



(1) **H17 - ARCH RAIL - W4L07959**
1"x3 3/8"x42 5/8" (24x86x1084)



(1) **H18 - WALL RAIL - W4L07957**
1"x3 3/8"x20 7/8" (24x86x529)

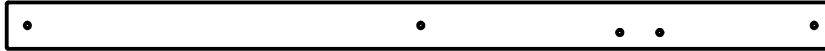


(1) **H19 - WALL RAIL - W4L07956**
1"x3 3/8"x59 1/2" (24x86x1510)

Parts Identification

Wood Components

(NOT TO SCALE)



(1) **H24 - WALL RAIL - W4L08292**
1"x3 3/8"x60 3/8" (24x86x1534)



(1) **H25 - ARCH RAIL - W4L07908**
1"x3 3/8"x61 3/8" (24x86x1558)



(1) **H26 - WALL RAIL - W4L07904**
1"x3 3/8"x80 1/4" (24x86x2038)



(1) **H27 - ARCH RAIL - W4L07906**
1"x3 3/8"x32 5/8" (24x86x830)



(1) **H28 - WALL RAIL - W4L07907**
1"x3 3/8"x41 5/8" (24x86x1058)



(1) **H29 - RAIL - W4L07944**
1"x3 3/8"x59 1/2" (24x86x1510)



(4) **H30 - BENCH SUPPORT - W4L07943**
1"x3 3/8"x6" (24x86x152)



(1) **H31 - SUPPORT - W4L07945**
1"x3 3/8"x6" (24x86x152)



(1) **H32 - RAIL - W4L07993**
1"x3 3/8"x40 1/8" (24x86x1020)



(1) **H33 - PICKET - W4L08294**
1"x3 3/8"x25 7/8" (24x86x656)



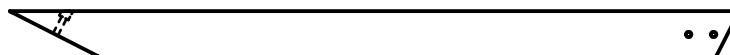
(5) **H76 - LADDER RUNG - W4L08397**
1"x3 3/8"x18 1/8" (24x86x460)



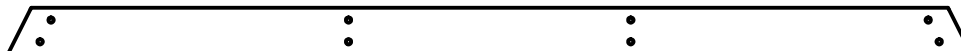
(1) **H77 - LEFT UPRIGHT - W4L08395**
1"x3 3/8"x64 3/8" (24x86x1634)



(1) **H78 - RIGHT UPRIGHT - W4L08396**
1"x3 3/8"x64 3/8" (24x86x1634)



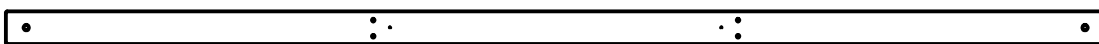
(2) **H81 - MONKEY BAR BRACE - W4L08409**
1"x3 3/8"x53 1/4" (24x86x1352)



(1) **H82 - MONKEY BAR GROUND BOARD - W4L08410**
1"x3 3/8"x70 3/8" (24x86x1786)



(1) **J01 - WALL RAIL - W4L07916**
1"x2 3/8"x78 5/8" (24x60x1998)



(1) **J02 - ROOF RAIL - W4L07927**
1"x2 3/8"x80 1/4" (24x60x2038)

Parts Identification

Wood Components

(NOT TO SCALE)



(2) **J03 - JOIST - W4L07925**
1"x2 3/8"x5 3/4" (24x60x146)



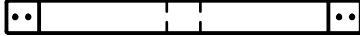
(2) **J04 - JOIST - W4L07928**
1"x2 3/8"x4 3/4" (24x60x122)



(2) **J05 - GUSSET - W4L07951**
1"x2 3/8"x10 3/4" (24x60x274)



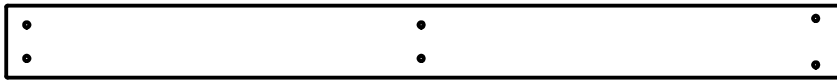
(2) **J06 - ROOF JOIST - W4L07964**
1"x2 3/8"x40 3/4" (24x60x1036)



(4) **J10 - WINDOW BOARD - W4L08293**
1"x2 3/8"x25 7/8" (24x60x656)



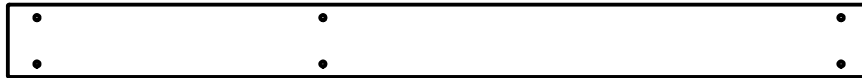
(1) **J11 - WINDOW BOARD - W4L08295**
1"x2 3/8"x53 1/2" (24x60x1358)



(1) **K01 - GROUND BOARD - W4L07876**
5/8"x5 1/4"x61 1/8" (16x134x1554)



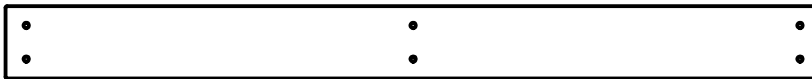
(1) **K02 - GROUND BOARD - W4L07877**
5/8"x5 1/4"x80 1/4" (16x134x2038)



(2) **K03 - GROUND BOARD - W4L07937**
5/8"x5 1/4"x62 7/8" (16x134x1598)



(1) **K04 - GROUND BOARD - W4L07935**
5/8"x5 1/4"x59 1/2" (16x134x1510)



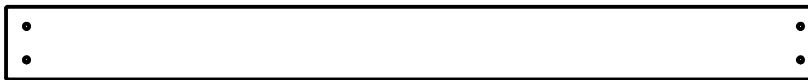
(1) **K05 - GROUND BOARD - W4L07941**
5/8"x5 1/4"x59 1/2" (16x134x1510)



(1) **K06 - GROUND BOARD - W4L07936**
5/8"x5 1/4"x59 1/2" (16x134x1510)



(1) **K07 - WALL RAIL - W4L07954**
5/8"x5 1/4"x59 1/2" (16x134x1510)



(1) **K10 - WALL RAIL - W4L07953**
5/8"x5 1/4"x59 1/2" (16x134x1510)

Parts Identification

Wood Components

(NOT TO SCALE)



(2) **K11 - WALL RAIL - W4L07955**
5/8"x5 1/4"x42" (16x134x1068)



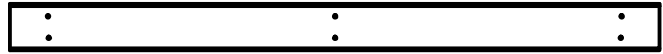
(2) **K12 - WALL BOARD - W4L08009**
5/8"x5 1/4"x30 3/8" (16x134x772)



(2) **K13 - WALL BOARD - W4L08016**
5/8"x5 1/4"x18" (16x134x456)



(1) **K14 - WALL BOARD - W4L07913**
5/8"x5 1/4"x30" (16x134x762)



(1) **KC1 - ROOF CAP SHINGLE - W4L07967**
5/8"x3 3/8"x47 3/8" (16x86x1204)



(3) **KE1 - END SHINGLE - W4L07922**
5/8"x3 3/8"x86 7/8" (16x86x2206)



(1) **KE2 - END SHINGLE - W4L07929**
5/8"x3"x86 7/8" (16x86x2206)



(2) **KE3 - SHINGLE - W4L07963**
5/8"x3 3/8"x47 3/8" (16x86x1204)



(2) **KE4 - END SHINGLE - W4L07969**
5/8"x3 3/8"x66 1/8" (16x86x1680)



(21) **KP1 - SHINGLE - W4L07921**
5/8"x3 3/8"x86 7/8" (16x86x2206)



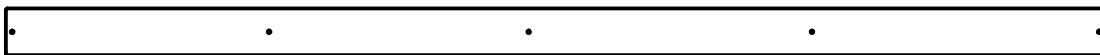
(20) **KP2 - SHINGLE - W4L07962**
5/8"x3 3/8"x47 3/8" (16x86x1204)



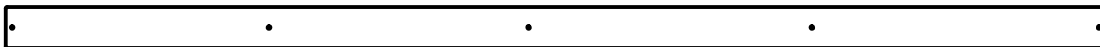
(7) **KP3 - SHINGLE - W4L07970**
5/8"x3 3/8"x66 1/8" (16x86x1680)



(1) **M03 - FLOOR BOARD - W4L07884**
5/8"x3"x35 5/8" (16x76x904)



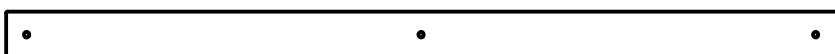
(1) **M04 - DECK BOARD - W4L07891**
5/8"x3 3/8"x80 1/4" (16x86x2038)



(2) **M05 - DECK BOARD - W4L07890**
5/8"x3"x80 1/4" (16x76x2038)



(1) **M06 - RAIL - W4L07885**
5/8"x3 3/8"x80 1/4" (16x86x2038)



(1) **M07 - RAIL - W4L07886**
5/8"x3 3/8"x61 1/8" (16x86x1554)

Parts Identification

Wood Components

(NOT TO SCALE)



(35) **M08 - PICKET - W4L07887**
5/8"x3 3/8"x27" (16x86x686)



(66) **M09 - WALL BOARD - W4L07911**
5/8"x3 3/8"x30" (16x86x762)



(2) **M10 - WALL RAIL - W4L07917**
5/8"x3 3/8"x41 3/4" (16x86x1062)



(19) **M11 - WALL BOARD - W4L07914**
5/8"x3 3/8"x66" (16x86x1676)



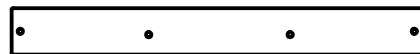
(23) **M12 - FLOOR BOARD - W4L07932**
5/8"x3 3/8"x33 7/8" (16x86x860)



(2) **M13 - WALL BOARD - W4L07960**
5/8"x3 3/8"x30" (16x86x762)



(1) **M14 - WALL BOARD - W4L07977**
5/8"x3 3/8"x30" (16x86x762)



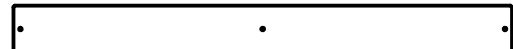
(2) **M15 - WALL BOARD - W4L07981**
5/8"x3 3/8"x30" (16x86x762)



(1) **M16 - FLOOR BOARD - W4L07882**
5/8"x3"x74 1/4" (16x76x1886)



(1) **M17 - FLOOR BOARD - W4L07883**
5/8"x3"x35 5/8" (16x76x904)



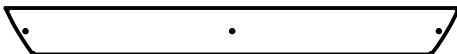
(5) **M18 - FLOOR BOARD - W4L07995**
5/8"x3 3/8"x36 3/8" (16x86x924)



(1) **M19 - FLOOR BOARD - W4L07996**
5/8"x3 3/8"x36 3/8" (16x86x923)



(1) **M20 - FLOOR BOARD - W4L07997**
5/8"x3 3/8"x35 3/8" (16x86x898)



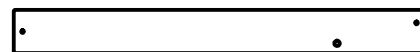
(1) **M21 - FLOOR BOARD - W4L07998**
5/8"x3 3/8"x33 1/8" (16x86x840)



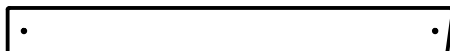
(1) **M22 - FLOOR BOARD - W4L07999**
5/8"x3 3/8"x29" (16x86x736)



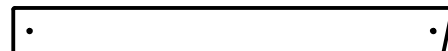
(1) **M24 - FLOOR BOARD - W4L07994**
5/8"x3 3/8"x36 3/8" (16x86x924)



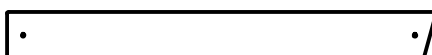
(2) **M25 - WALL BOARD - W4L07982**
5/8"x3 1/8"x30" (16x80x762)



(2) **M26 - WALL BOARD - W4L08006**
5/8"x3 3/8"x32 1/2" (16x86x826)



(2) **M27 - WALL BOARD - W4L08007**
5/8"x3 3/8"x32" (16x86x814)



(2) **M28 - WALL BOARD - W4L08008**
5/8"x3 3/8"x31 3/8" (16x86x796)

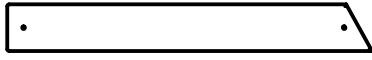


(2) **M29 - WALL BOARD - W4L08010**
5/8"x3 3/8"x28 1/4" (16x86x718)

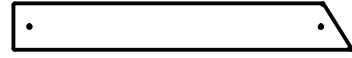
Parts Identification

Wood Components

(NOT TO SCALE)



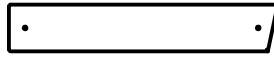
(2) **M30 - WALL BOARD - W4L08011**
5/8"x3 3/8"x26 5/8" (16x86x676)



(2) **M31 - WALL BOARD - W4L08012**
5/8"x3 3/8"x24 3/4" (16x86x628)



(2) **M32 - WALL BOARD - W4L08013**
5/8"x3 3/8"x20 1/8" (16x86x510)



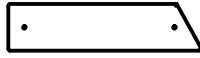
(2) **M33 - WALL BOARD - W4L08014**
5/8"x3 3/8"x19 5/8" (16x86x498)



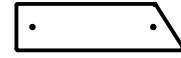
(2) **M34 - WALL BOARD - W4L08015**
5/8"x3 3/8"x18 7/8" (16x86x480)



(2) **M35 - WALL BOARD - W4L08017**
5/8"x3 3/8"x15 7/8" (16x86x402)



(2) **M36 - WALL BOARD - W4L08018**
5/8"x3 3/8"x14 1/8" (16x86x360)



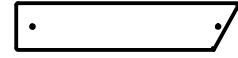
(2) **M37 - WALL BOARD - W4L08019**
5/8"x3 3/8"x12 1/4" (16x86x312)



(2) **M38 - WALL BOARD - W4L08020**
5/8"x3 3/8"x18 7/8" (16x86x480)



(2) **M39 - WALL BOARD - W4L08021**
5/8"x3 3/8"x17 3/4" (16x86x450)



(2) **M40 - WALL BOARD - W4L08022**
5/8"x3 3/8"x16 1/4" (16x86x414)



(2) **M41 - WALL BOARD - W4L08024**
5/8"x3 3/8"x11 5/8" (16x86x294)



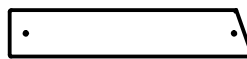
(4) **M42 - WALL BOARD - W4L08025**
5/8"x3 3/8"x19 1/2" (16x86x494)



(4) **M43 - WALL BOARD - W4L08026**
5/8"x3 3/8"x19 1/8" (16x86x486)



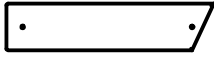
(3) **M44 - WALL BOARD - W4L08027**
5/8"x3 3/8"x18 5/8" (16x86x474)



(3) **M45 - WALL BOARD - W4L08028**
5/8"x3 3/8"x17 3/4" (16x86x450)



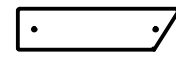
(4) **M46 - WALL BOARD - W4L08029**
5/8"x3 3/8"x16 1/2" (16x86x420)



(4) **M47 - WALL BOARD - W4L08030**
5/8"x3 3/8"x15 1/8" (16x86x384)



(4) **M48 - WALL BOARD - W4L08031**
5/8"x3 3/8"x13 1/2" (16x86x344)



(4) **M49 - WALL BOARD - W4L08032**
5/8"x3"x11 3/4" (16x76x300)



(1) **M50 - WALL BOARD - W4L08290**
5/8"x3 3/8"x18 5/8" (16x86x474)



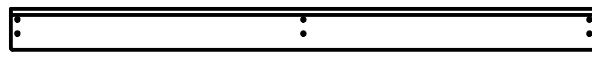
(1) **M51 - WALL BOARD - W4L08291**
5/8"x3 3/8"x17 3/4" (16x86x450)



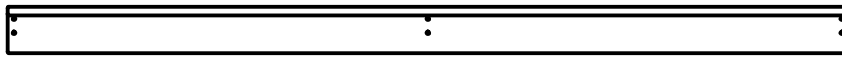
(1) **M52 - WALL RAIL - W4L07972**
5/8"x3 3/8"x59 1/2" (16x86x1510)



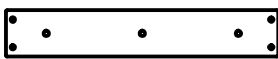
(2) **M53 - WALL RAIL - W4L07974**
5/8"x3 3/8"x24 1/2" (16x86x622)



(2) **M54 - ROOF RAIL - W4L07965**
5/8"x3"x42 5/8" (16x76x1084)



(1) **M55 - ROOF RAIL - W4L07973**
5/8"x3 3/8"x61 3/8" (16x86x1558)



(1) **M70 - SLIDE BED SUPPORT - W100935**
5/8"x3 3/8"x19 7/8" (16x86x505)



(1) **M73 - REAR SUPPORT - W4L08398**
5/8"x3 3/8"x19 1/4" (16x86x488)

Parts Identification

Wood Components

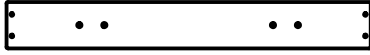
(NOT TO SCALE)



(10) **M74 - ROCK WALL BOARD - W4L08402**
5/8"x3 3/8"x26 5/8" (16x86x675)



(4) **M75 - ROCK WALL BOARD - W4L08404**
5/8"x3 3/8"x26 5/8" (16x86x675)



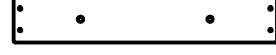
(4) **M76 - ROCK WALL BOARD - W4L08403**
5/8"x3 3/8"x26 5/8" (16x86x675)



(1) **M105 - ATTACHMENT BOARD - W4L08406**
5/8"x3 3/8"x27 7/8" (16x86x707)



(1) **M106 - ROCK WALL TOP BOARD - W4L08405**
5/8"x3 3/8"x27 7/8" (16x86x707)



(1) **M110 - ATTACHMENT BOARD - W4L08399**
5/8"x3 3/8"x19 1/4" (16x86x488)



(5) **N1 - WALL BOARD - W4L07912**
5/8"x2 3/8"x30" (16x60x762)



(1) **N2 - WALL BOARD - W4L07968**
5/8"x2 3/8"x27" (16x60x686)



(2) **N3 - WALL BOARD - W4L07918**
5/8"x2 3/8"x66" (16x60x1676)



(1) **N4 - ROOF RAIL - W4L07924**
5/8"x2 3/8"x82 1/8" (16x60x2086)



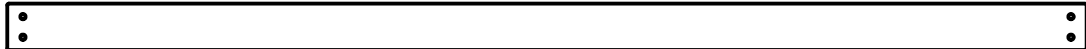
(26) **O1 - PICKET - W4L07980**
5/8"x1 3/8"x32 1/4" (16x34x820)



(4) **P1 - DECK SUPPORT - W4L07894**
1 3/8"x1 3/8"x25 5/8" (36x36x650)



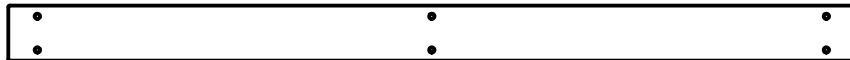
(2) **P2 - DECK SUPPORT - W4L07976**
1 3/8"x1 3/8"x34 3/4" (36x36x884)



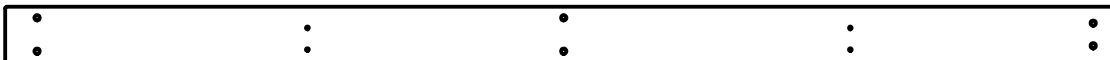
(1) **SP1 - BRIDGE JOIST - W4L07934**
3 3/8"x3 3/8"x78 3/4" (86x86x2000)



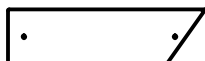
(1) **SP50 - SWING BEAM SUPPORT - W4L08002**
3 3/8"x3 3/8"x49 3/8" (86x86x1254)



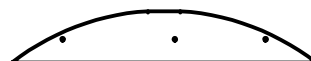
(1) **Y1 - GROUND BOARD - W4L07874**
5/8"x4"x61 3/4" (16x102x1570)



(1) **Y2 - GROUND BOARD - W4L07875**
5/8"x4"x80 7/8" (16x102x2054)



(2) **Y3 - WALL BOARD - W4L08023**
5/8"x4"x14 3/8" (16x102x366)



(1) **Y4 - FLOOR BOARD - W4L08000**
5/8"x3 3/4"x22 1/4" (16x95x564)

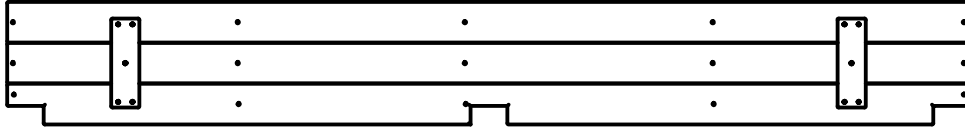
Parts Identification

Wood Components

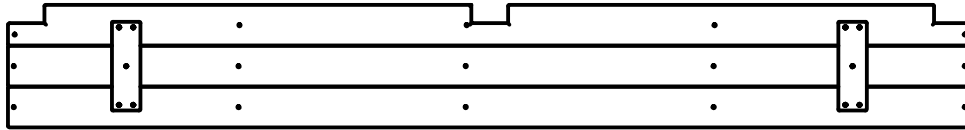
(NOT TO SCALE)



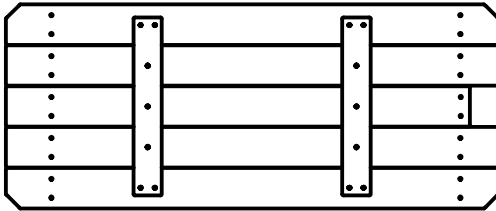
(5) FP1 - FLOOR PANEL - W2A02190
1 1/4"x17"x80 1/4" (32x432x2038)



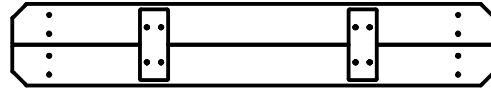
(1) FP2 - FLOOR PANEL - W2A02191
1 1/4"x10 1/4"x80 1/4" (32x259x2038)



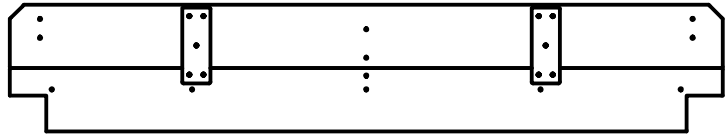
(1) FP3 - FLOOR PANEL - W2A02192
1 1/4"x10 1/4"x80 1/4" (32x259x2038)



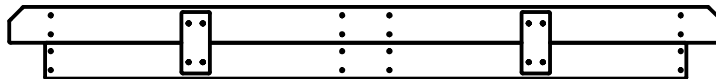
(1) PP1 - PICNIC TABLE- W2A02193
1 5/8"x17"x41" (36x432x1042)



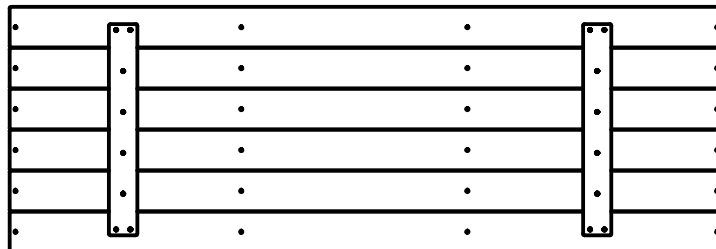
(2) PP2 - PICNIC BENCH - W2A02194
1 5/8"x6 3/4"x40 1/4" (36x173x1022)



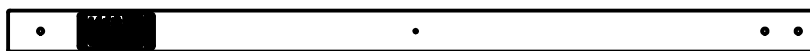
(1) PP3 - SERVING TABLE - W2A02196
1 5/8"x10 1/2"x59 1/2" (36x268x1510)



(1) PP4 - SERVING BENCH - W2A02195
1 5/8"x6"x59 1/2" (36x152x1510)



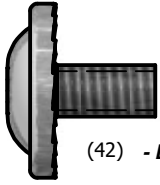
(2) FP4 - FLOOR PANEL - W2A02197
1 1/4"x20 3/8"x59 1/2" (32x519x1510)



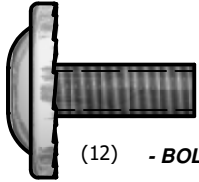
(1) WP1 - WARNING PLATE UPRIGHT - W2A02198
3 1/16"x3"x59" (78x76x1500)

Parts Identification

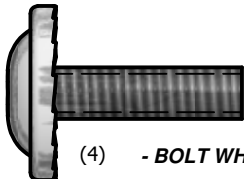
Hardware



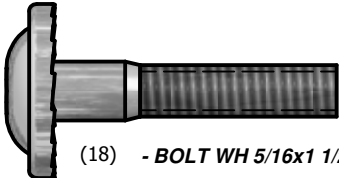
(42) - BOLT WH 5/16x1/2 - H100115



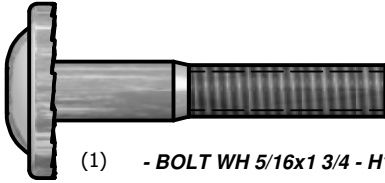
(12) - BOLT WH 5/16x3/4 - H100222



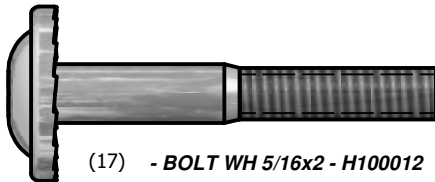
(4) - BOLT WH 5/16x1 - H100008



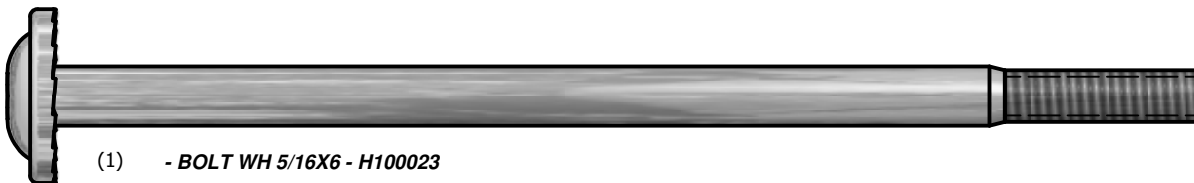
(18) - BOLT WH 5/16x1 1/2 - H100010



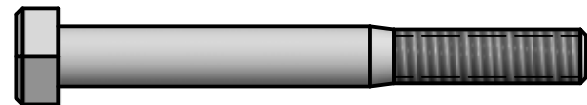
(1) - BOLT WH 5/16x1 3/4 - H100011



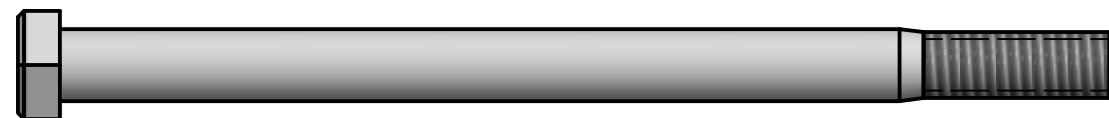
(17) - BOLT WH 5/16x2 - H100012



(1) - BOLT WH 5/16x6 - H100023



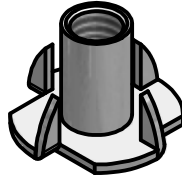
(2) - BOLT HEX 5/16x2-3/4 - H100047



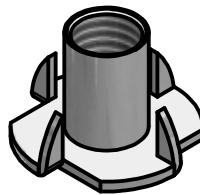
(13) - BOLT HEX 3/8x5-1/2 - H100654



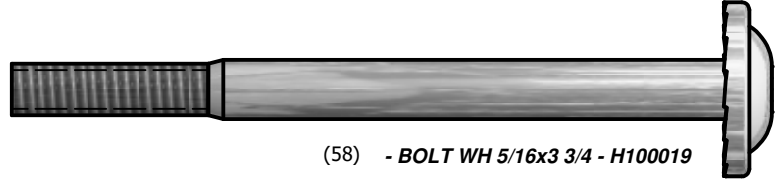
(26) - T-NUT 1/4 - H100072



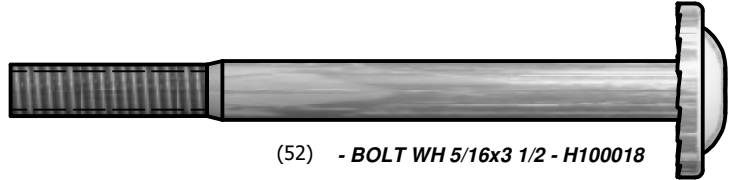
(146) - T-NUT 5/16 - H100074



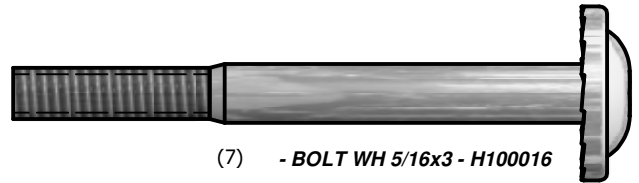
(13) - T-NUT 3/8 - H100073



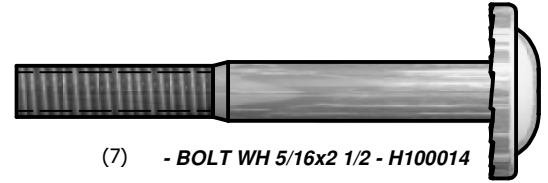
(58) - BOLT WH 5/16x3 3/4 - H100019



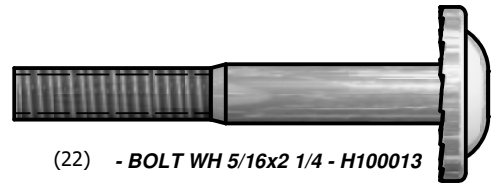
(52) - BOLT WH 5/16x3 1/2 - H100018



(7) - BOLT WH 5/16x3 - H100016



(7) - BOLT WH 5/16x2 1/2 - H100014



(22) - BOLT WH 5/16x2 1/4 - H100013



(18) - NUT BARREL WH 5/16x5/8 - H100004



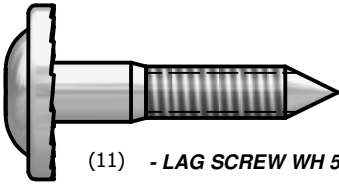
(15) - NUT BARREL WH 5/16x1 1/2 - H100006



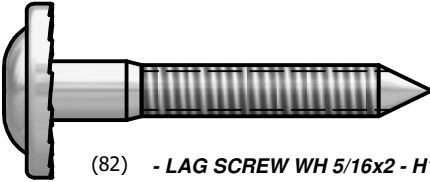
(54) - NUT BARREL WH 5/16x7/8 - H100005

Parts Identification

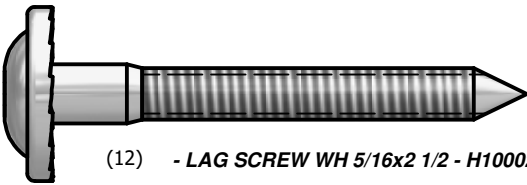
Hardware



(11) - LAG SCREW WH 5/16x1 1/2 - H100026



(82) - LAG SCREW WH 5/16x2 - H100027



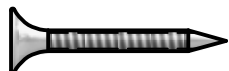
(12) - LAG SCREW WH 5/16x2 1/2 - H100028



(22) - LAG SCREW WH 5/16x3 - H100029



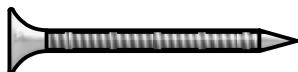
(7) - SCREW PFH 8x1 - H100085



(213) - SCREW PFH 8x1-1/8" - H100088



(546) - SCREW PFH 8x1-1/4" - H100087



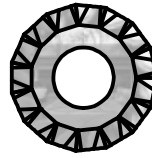
(71) - SCREW PFH 8x1-3/4" - H100089



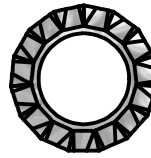
(134) - SCREW PFH 8x2 - H100111



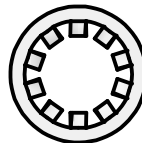
(42) - SCREW PFH 8x2 1/2 - H100090



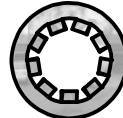
(281) - WASHER LOCK EXT 8x19 - H100030



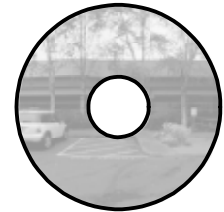
(74) - WASHER LOCK EXT 12x19 - H100031



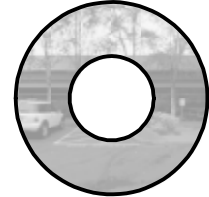
(13) - WASHER LOCK INT 10x18 - H100107



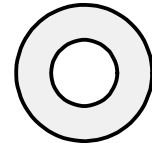
(28) - WASHER LOCK INT 8x15 - H100108



(2) - WASHER FLAT 8x27 - H100105



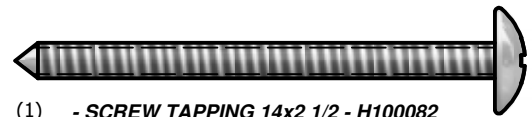
(13) - WASHER FLAT 11x25 - H100102



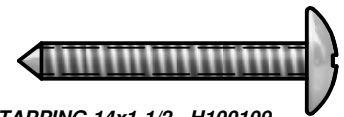
(2) - WASHER FLAT 9x18 - H100106



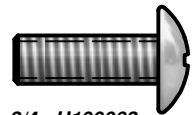
(7) - SCREW PWH 8x5/8 - H100128



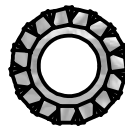
(1) - SCREW TAPPING 14x2 1/2 - H100082



(18) - SCREW TAPPING 14x1-1/2 - H100109



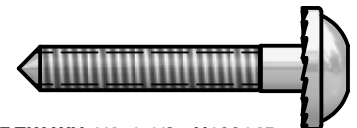
(26) - BOLT PTH 1/4x3/4 - H100063



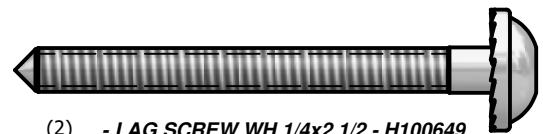
(2) - WASHER LOCK EXT 6x15 - H100138



(2) - NUT LOCK 5/16 - H100110



(5) - LAG SCREW WH 1/4x1-1/2 - H100145



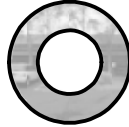
(2) - LAG SCREW WH 1/4x2 1/2 - H100649

Parts Identification

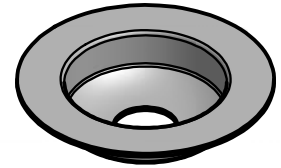
Hardware



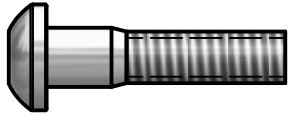
(18) - NUT BARREL TPH 5/16x1 WZ - H100606



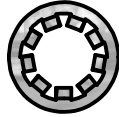
(17) - WASHER FLAT 8.2X16 WZ - H100608



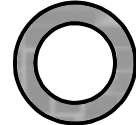
(1) - FLANGE CUP WASHER - H100225



(18) - BOLT TPH 5/16x1 1/4 WZ - H100605



(17) - WASHER LOCK INT 8.4x14.5 WZ - H100610



(17) - WASHER FLAT 10.5X16 WZ - H100607



(4) - LAG SCREW HEX 5/16x1-1/2 BLK - H100659



(2) - SCREW TAPPING PPH 5x15mm WZ - H100592



(2) - LAG SCREW HEX 5/16x2 BLACK - H100660



(13) - WASHER FLAT 8x27 BLK - H100478



(2) - NUT BARREL WH 1/4x5/8 BLK - H100404



(2) - BOLT HEX 5/16x1-3/4 BLACK - H100657



(4) - BOLT HEX 5/16x2-1/2 BLK - H100658



(6) - NUT BARREL WH 5/16x7/8 BLK - H100192



(1) - LAG SCREW WH 5/16x1 1/2 BLK - H100471

(2) - WASHER LOCK EXT 8x15 BLK - H100400

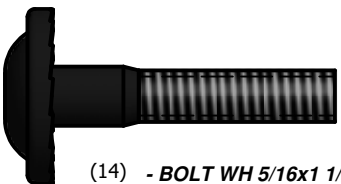


(15) - T-NUT 1/4 BLK - H100398

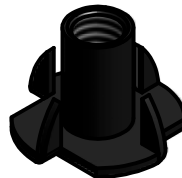
(4) - SCREW PWH 8x5/8 BLK - H100202



(78) - SCREW TAPPING PWH #10x1-1/8 BLK - H100748



(14) - BOLT WH 5/16x1 1/2 BLK - H100407



(21) - T-NUT 5/16 BLK - H100379

(165) - SCREW PFH 8x1 1/4 BLK - H100387



(161) - SCREW PFH 8x1-1/2 BLK - H100200



(6) - BOLT WH 5/16x3 BLK - H100416



(13) - WASHER SPLIT 5/16 BLK - H100477



(18) - BOLT WH 1/4x2 BLK - H100488

Parts Identification

Accessories

(NOT TO SCALE)



(4) EF - CHAIN GREEN 57" - A100047



(2) JV - HAND GRIP GREEN 816 C/C - A100134



(2) TA - LADDER RUNG 629 GREEN - A100324



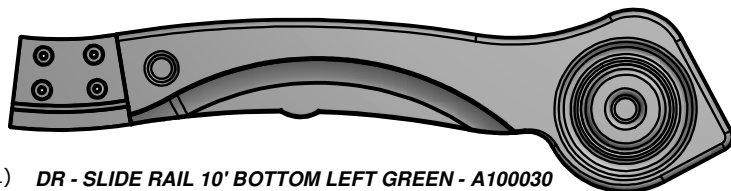
(2) - SWING SEAT GREEN 22IN - A6P00054



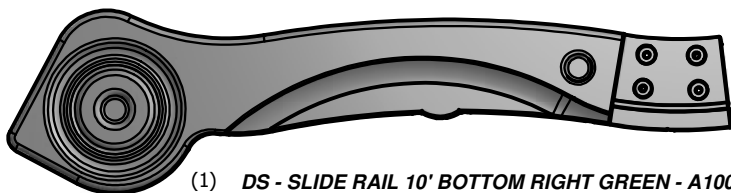
(4) DW - SLIDE SUPPORT TUBE 21.34x505 - A100034
21.34 OD x 2.77 W x 505



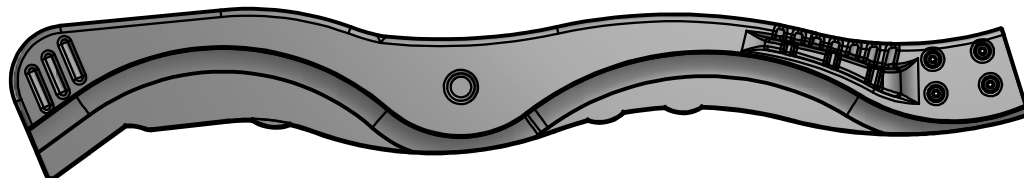
(8) EC - METAL RUNG 559 GREEN - A100045



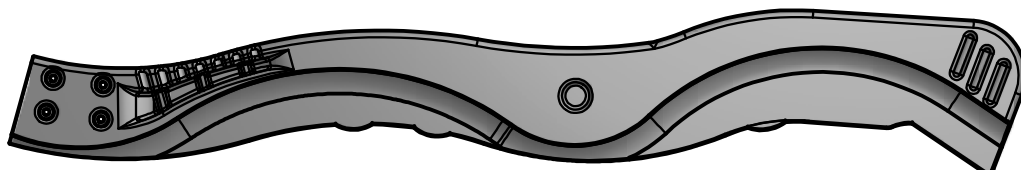
(1) DR - SLIDE RAIL 10' BOTTOM LEFT GREEN - A100030



(1) DS - SLIDE RAIL 10' BOTTOM RIGHT GREEN - A100031



(1) DT - SLIDE RAIL 10' TOP LEFT GREEN - A100032



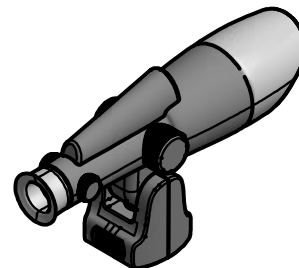
(1) TR - SLIDE RAIL 10' TOP RIGHT GREEN - A100033



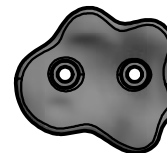
(7) FX - HAND GRIP METAL GREEN 381 c/c - A100118



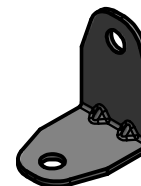
(2) - TRIANGLE PLATE 100° 5 HOLE - A4M00614



(1) - TELESCOPE - A100104



(12) - GREEN HC ROCK #1 - A6P00036



(3) TZ - L BRACKET 2.5x38x50x55 - A100340



(1) HC - BYD ID TAG (LARGE) 2011 WITH AGES - A100164

Parts Identification

Accessories
(NOT TO SCALE)



(12) - GROUND STAKE REBAR - A4M00527



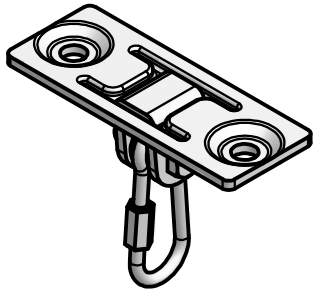
(2) - 90° L-BRACKET - BLK - A4M00555



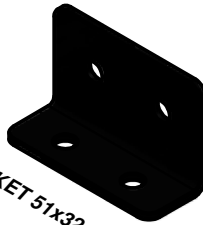
(1) - L BRACKET 2.5x38x50x55 BLK - A4M00615



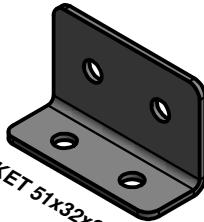
(1) SQ - "A" REVISION TAG - A100314



(6) - SWING HANGER - A4M00505



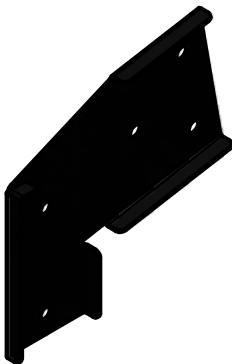
(1) - L BRACKET 51x32x82x3.175 - A4M00855



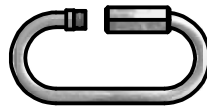
(8) WM - L BRACKET 51x32x82x3.175 - A100396



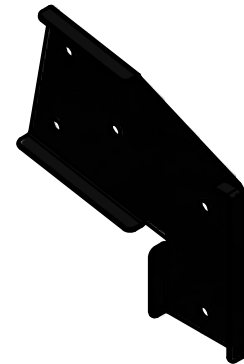
(1) - WEB SWING SEAT - A6P00253



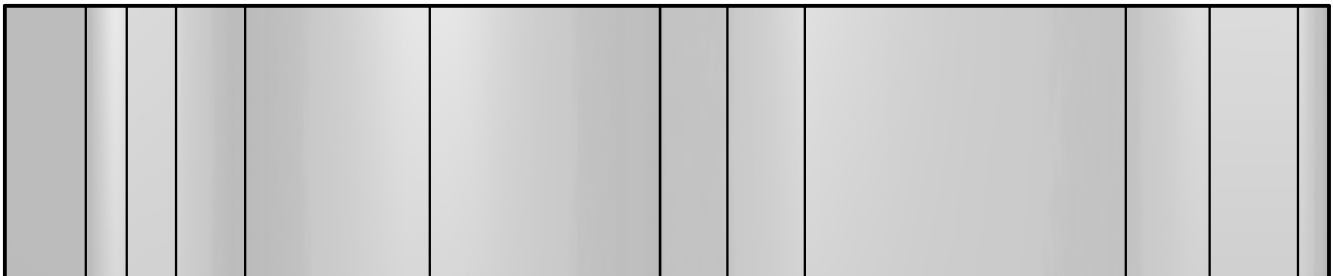
(1) - SWING BEAM EXTENSION BRACKET-LEFT - A4M00617



(4) FA - QUICK LINK - A100069



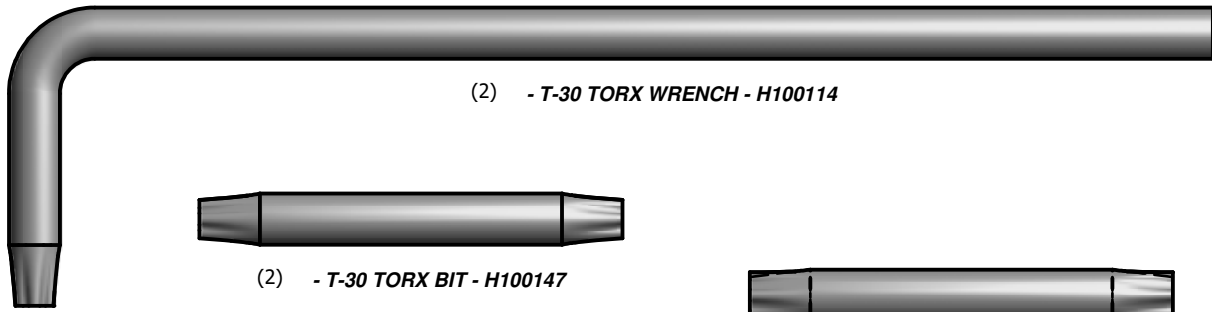
(1) - SWING BEAM EXTENSION BRACKET-RIGHT - A4M00618



(1) KE - SLIDE BED 10' YELLOW - A100197

Parts Identification

Accessories
(NOT TO SCALE)



(2) - T-30 TORX WRENCH - H100114



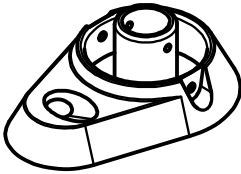
(2) - T-30 TORX BIT - H100147



(2) - T-40 TORX BIT - A100042



(2) - T-40 TORX WRENCH - A100041



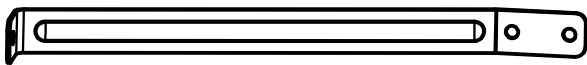
(1) - LADDER FOOT - A6P00190



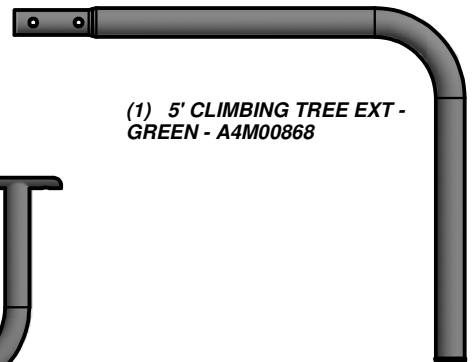
(1) - GROUND STAKE - A4M00766



(1) - CLIMBING TREE TRUNK - GREEN - A4M00866



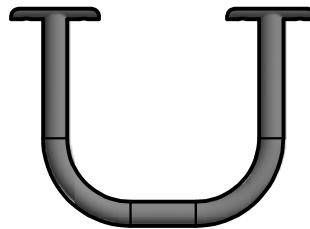
(2) - SUPPORT BRACE - A4M00928



(1) 5' CLIMBING TREE EXT - GREEN - A4M00868



(4) RAIL - A4M00875
1"x2 3/8" x16 3/4" (24x60x402)



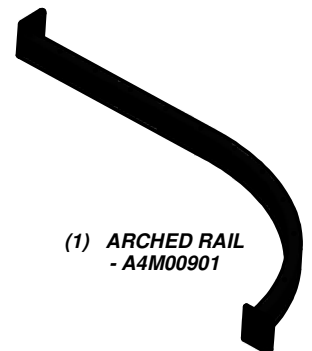
(6) U-STEP - GREEN - A4M00867



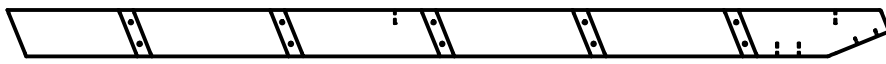
(2) ARCH RAIL - A4M00873



(1) ARCHED RAIL - A4M00874



(1) ARCHED RAIL - A4M00901



(1) H77 - LEFT UPRIGHT - W4L08395
1"x3 3/8"x64 3/8" (24x86x1634)

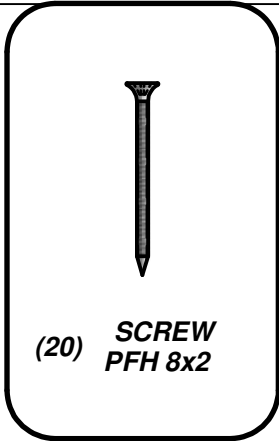
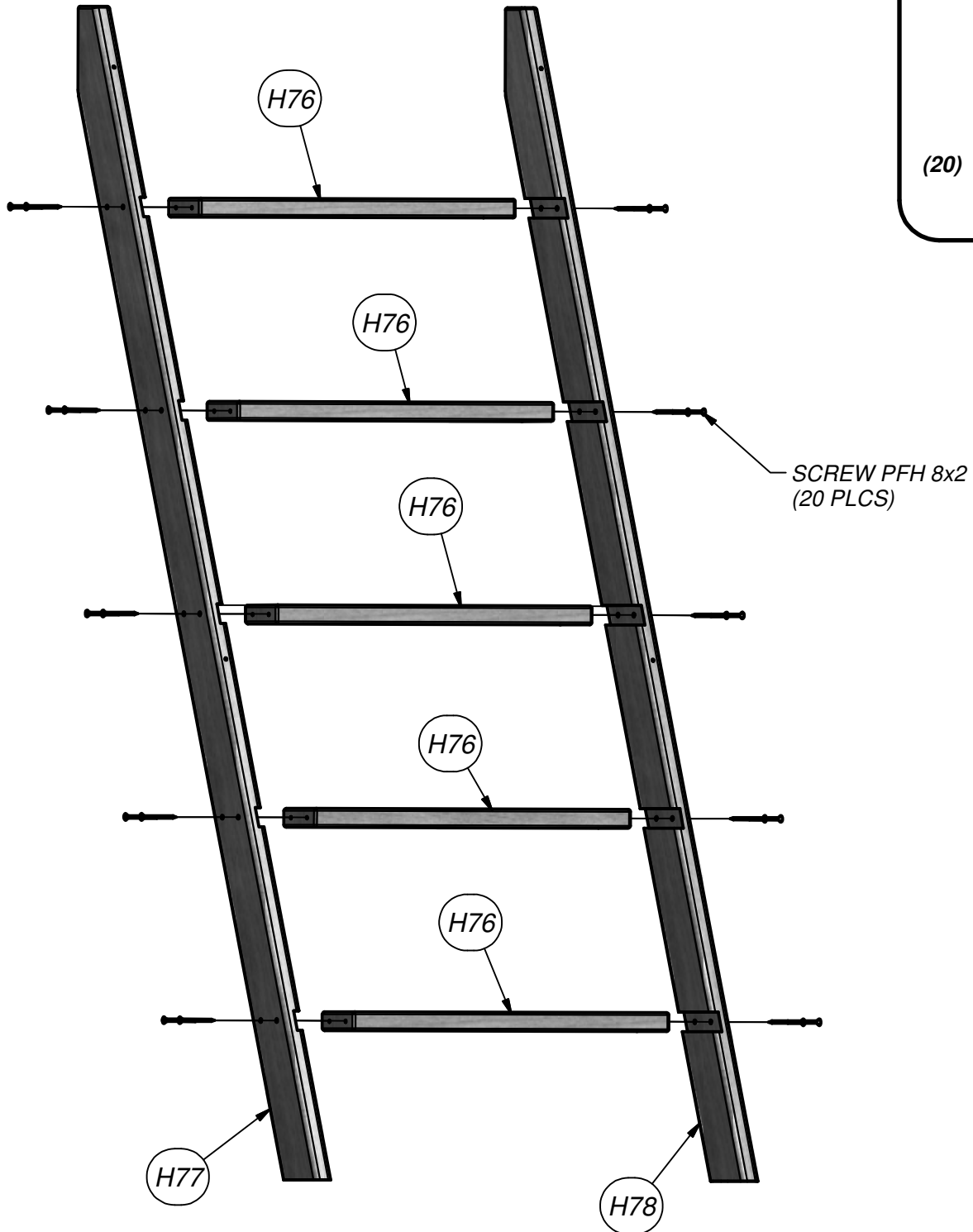


(1) H78 - RIGHT UPRIGHT - W4L08396
1"x3 3/8"x64 3/8" (24x86x1634)



(5) H76 - LADDER RUNG - W4L08397
1"x3 3/8"x18 1/8" (24x86x460)

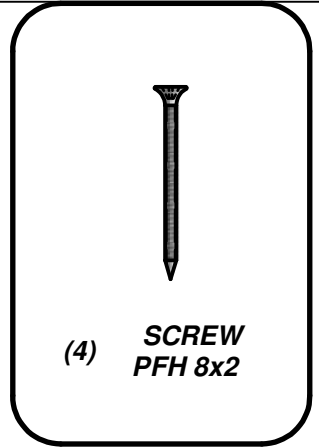
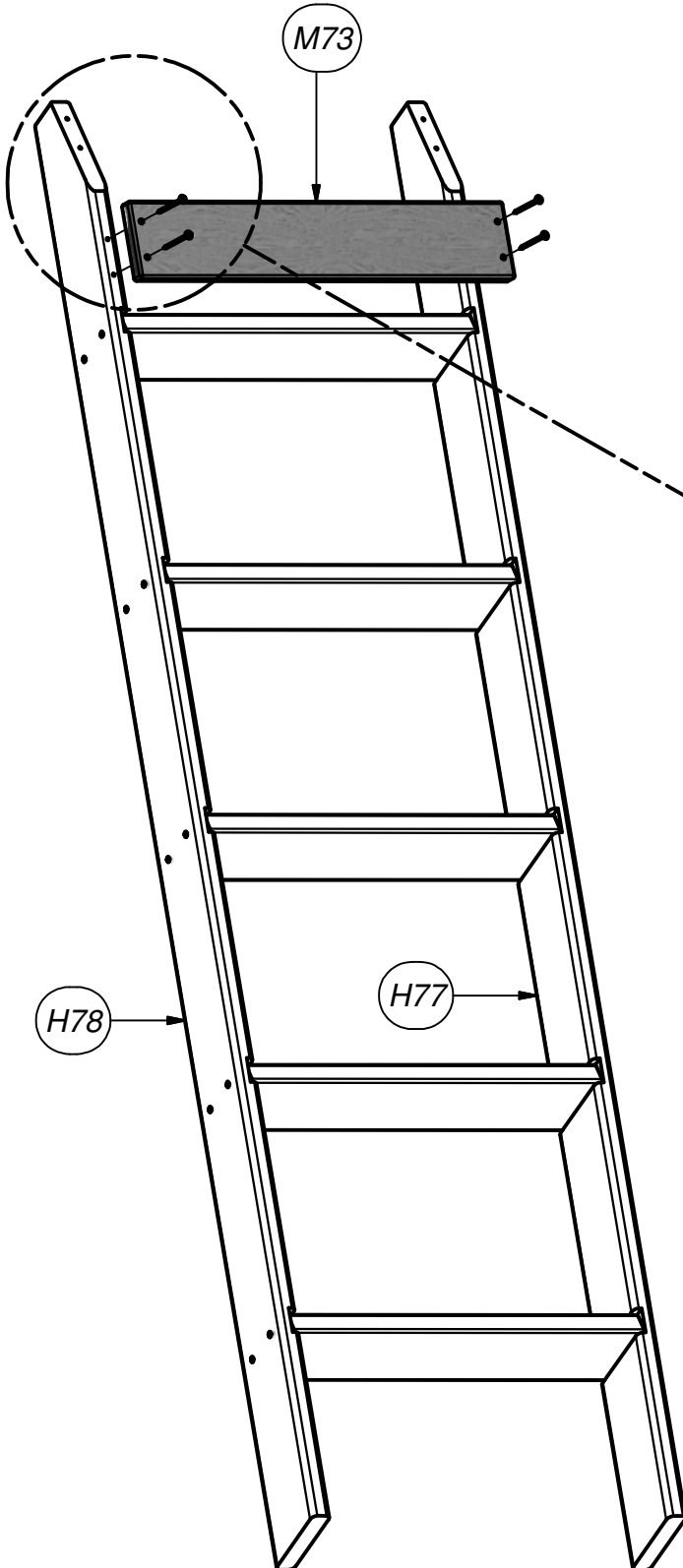
LADDER ASSEMBLY STEP 1



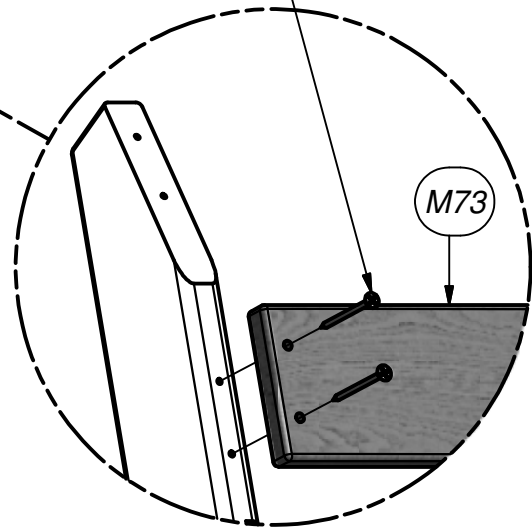


(1) **M73 - REAR SUPPORT - W4L08398**
5/8"x3 3/8"x19 1/4" (16x86x488)

LADDER ASSEMBLY
STEP 2



SCREW PFH 8x2
(4 PLCS)

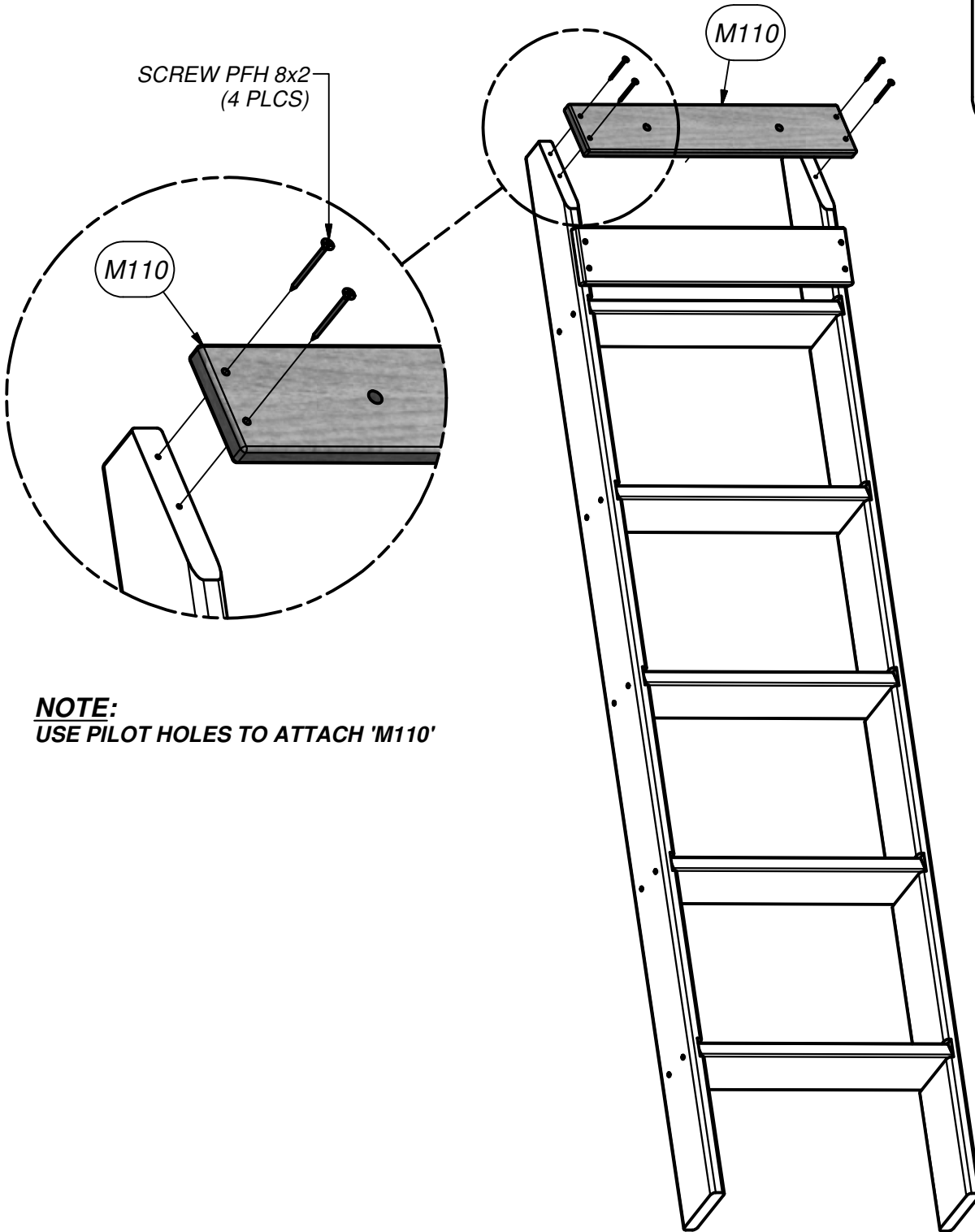
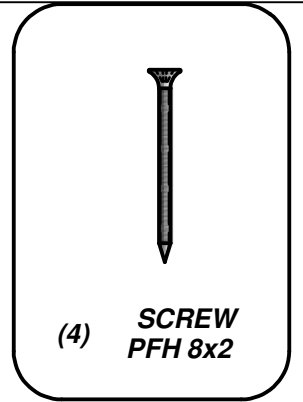


NOTE:
USE PILOT HOLES TO ATTACH 'M73'



- (1) **M110 - ATTACHMENT BOARD - W4L08399**
5/8"x3 3/8"x19 1/4" (16x86x488)

LADDER ASSEMBLY
STEP 3

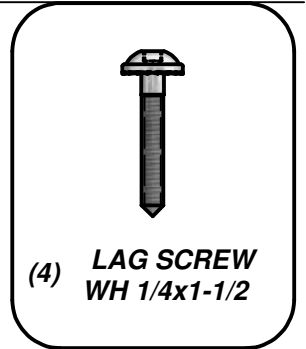


NOTE:
USE PILOT HOLES TO ATTACH 'M110'

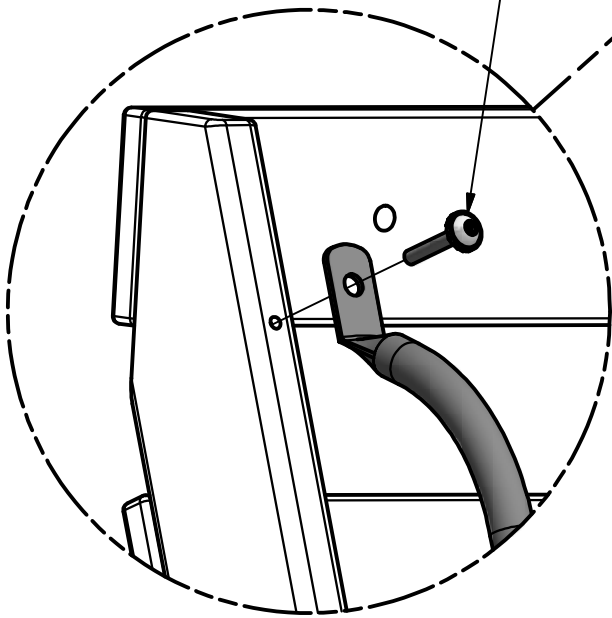


(2) JV - HAND GRIP GREEN 816 C/C - A100134

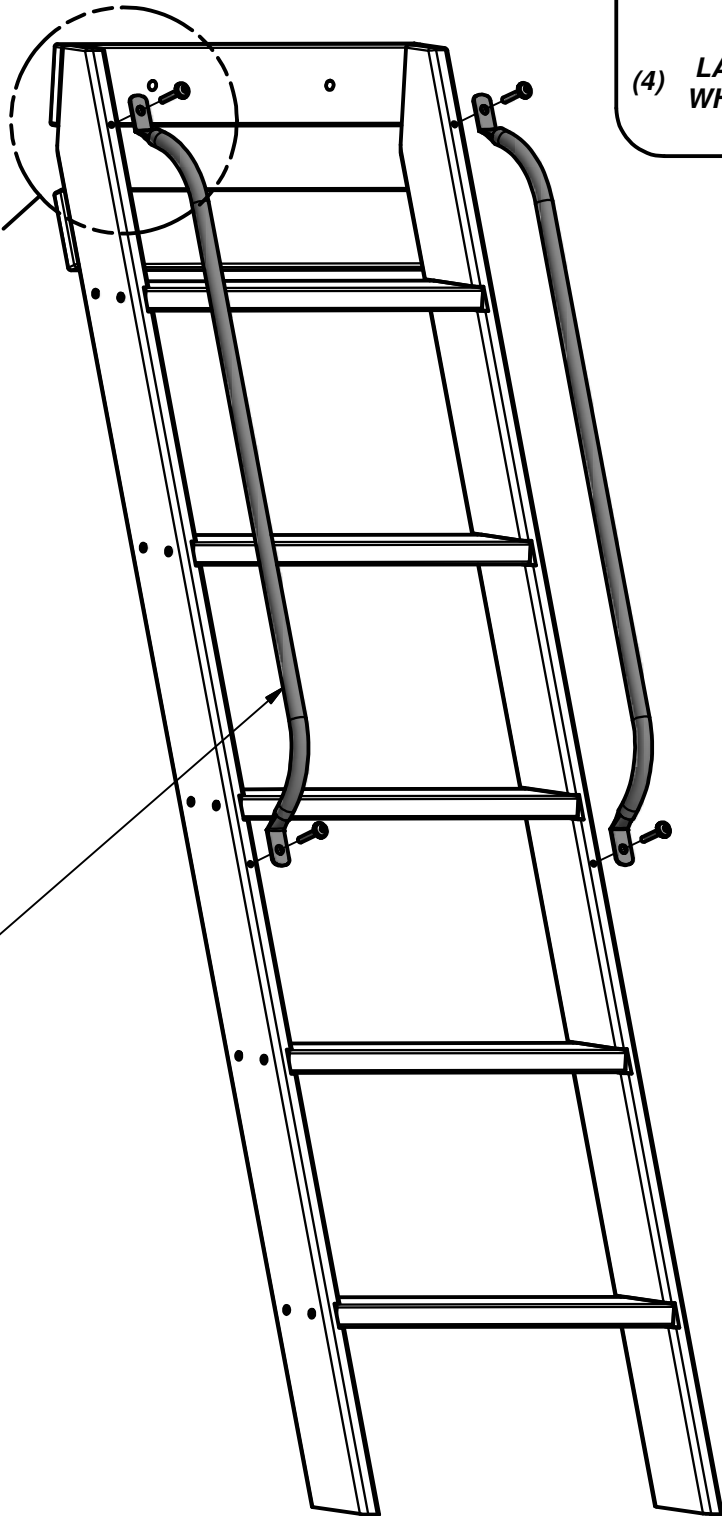
**LADDER ASSEMBLY
STEP 4**

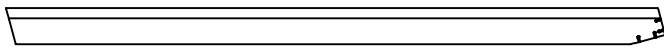


LAG SCREW WH 1/4x1-1/2
(4 PLCS)

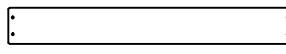


HAND GRIP GREEN 816 C/C
(2 PLCS)

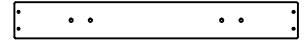




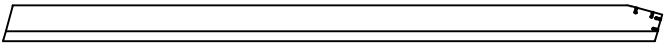
(1) E72 - LEFT RAIL - W4L08400
1 3/8"x3 3/8"x61 3/4" (36x86x1570)



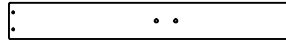
(10) M74 - ROCK WALL BOARD - W4L08402
5/8"x3 3/8"x26 5/8" (16x86x675)



(4) M76 - ROCK WALL BOARD - W4L08403
5/8"x3 3/8"x26 5/8" (16x86x675)

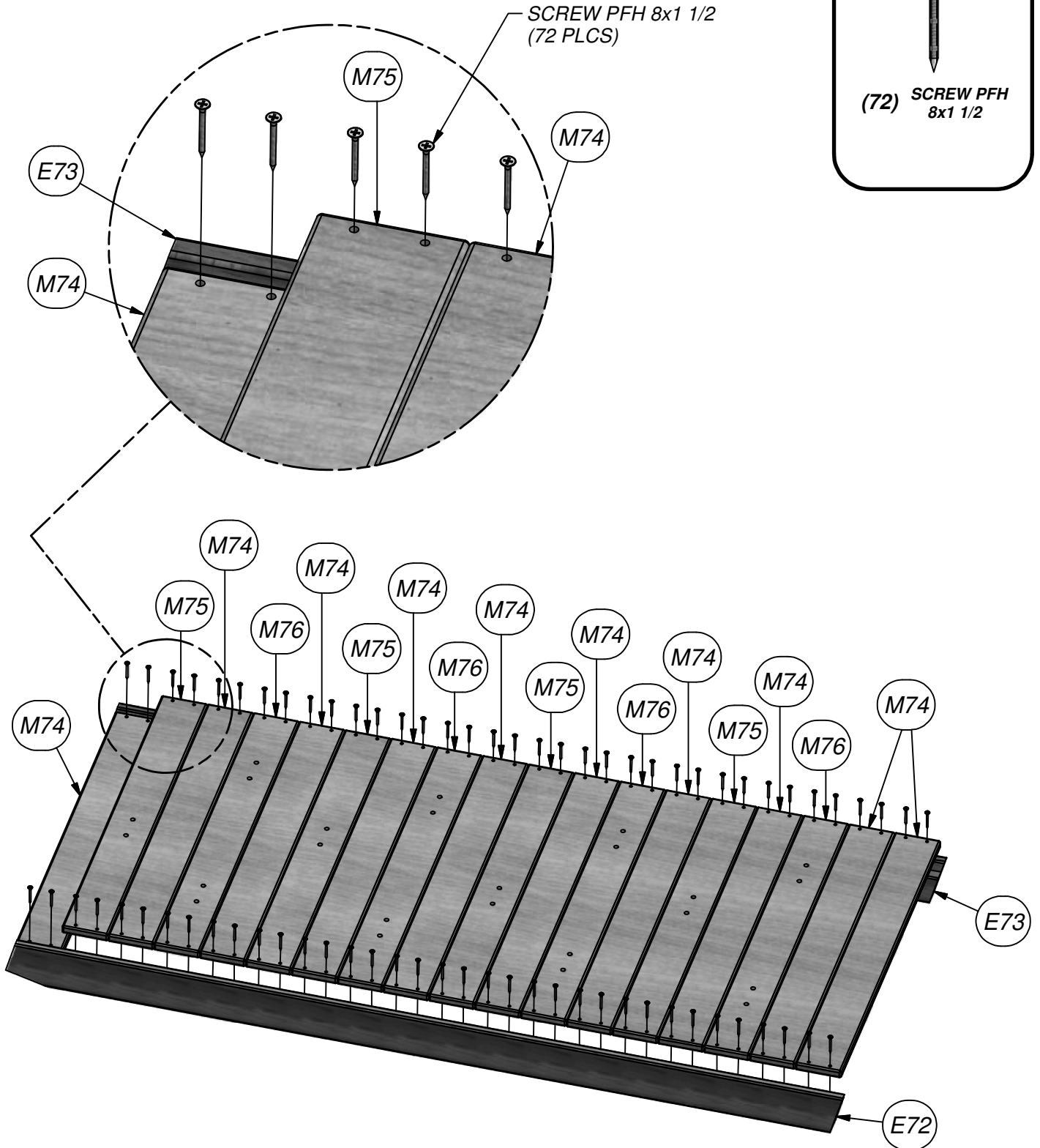


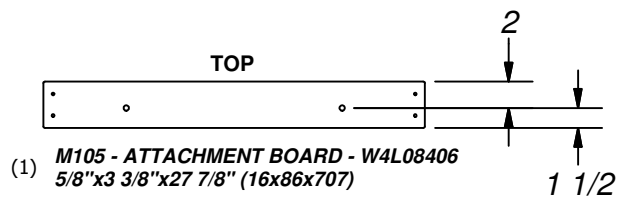
(1) E73 - RIGHT RAIL - W4L08401
1 3/8"x3 3/8"x61 3/4" (36x86x1570)



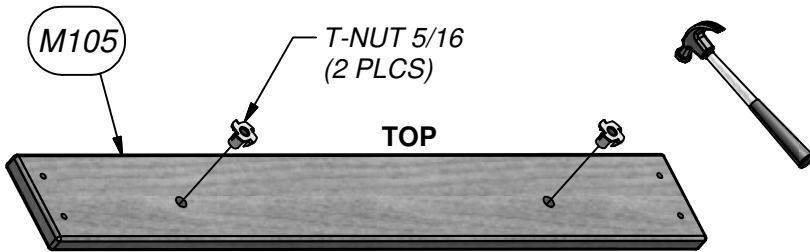
(4) M75 - ROCK WALL BOARD - W4L08404
5/8"x3 3/8"x26 5/8" (16x86x675)

ROCK WALL ASSEMBLY STEP 1





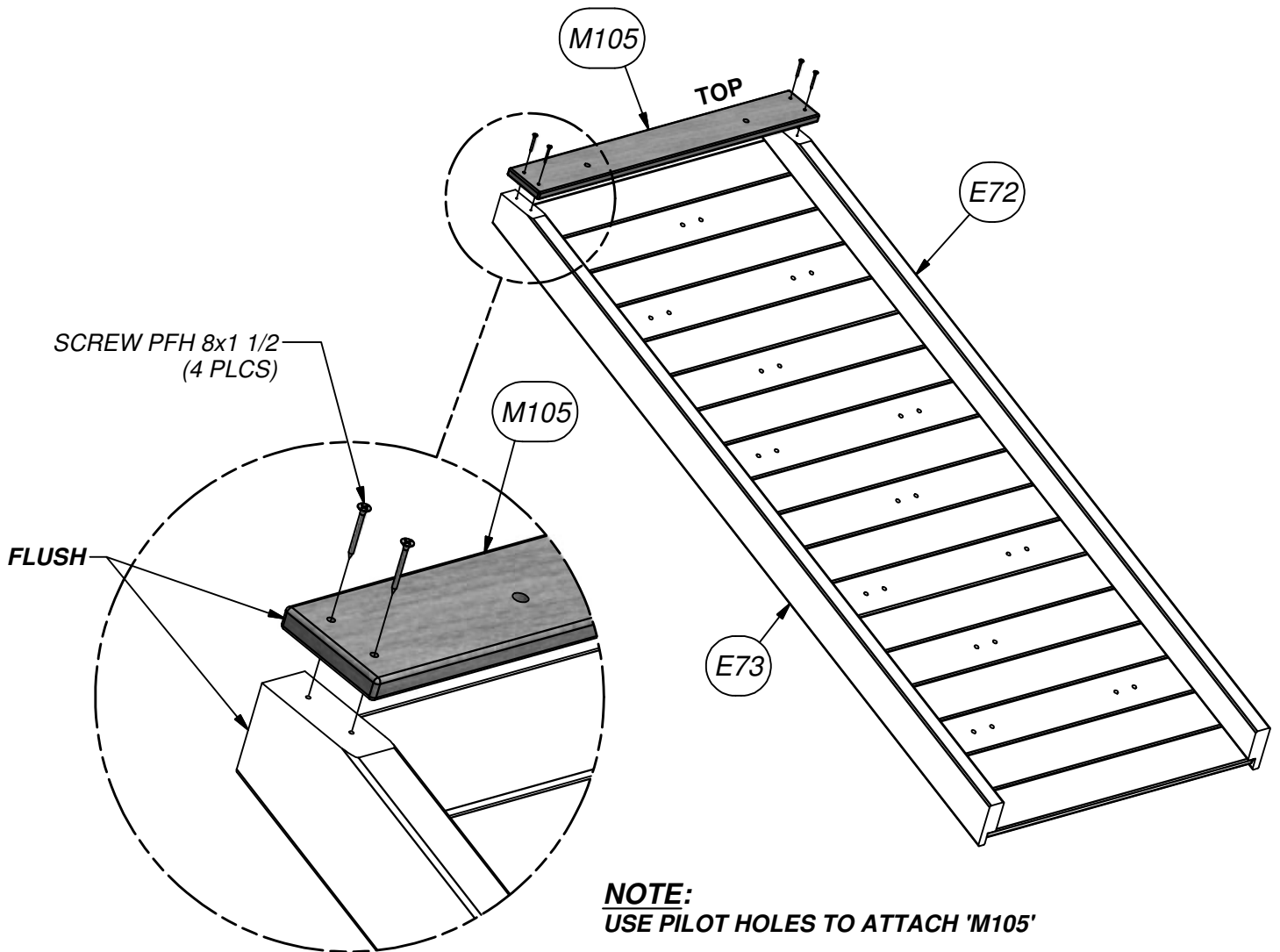
**ROCK WALL ASSEMBLY
STEP 2**

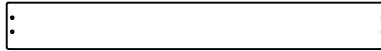


(4) SCREW PFH
8x1 1/2

(2) T-NUT 5/16

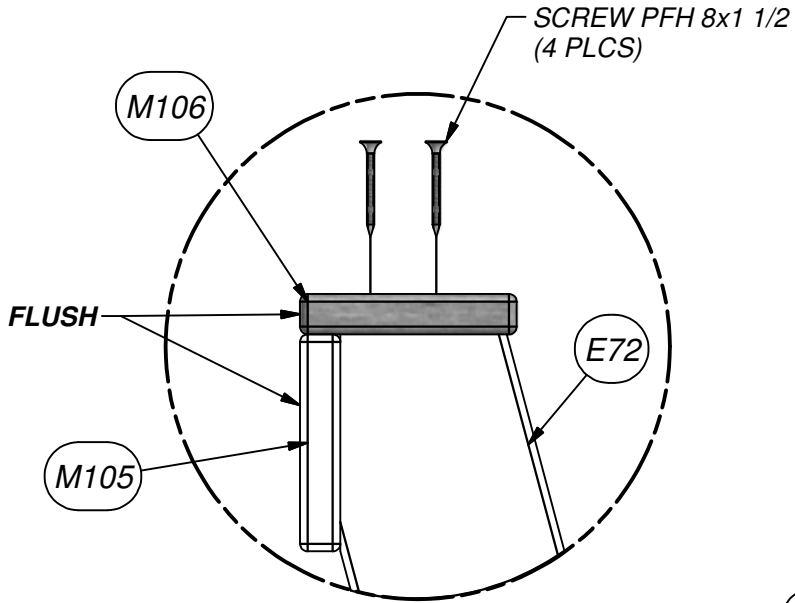
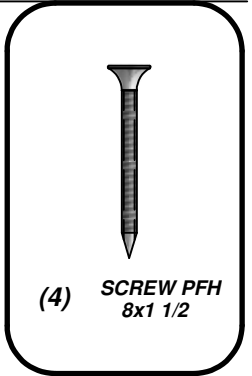
**NOTE:
ORIENTATION OF 'M105'**



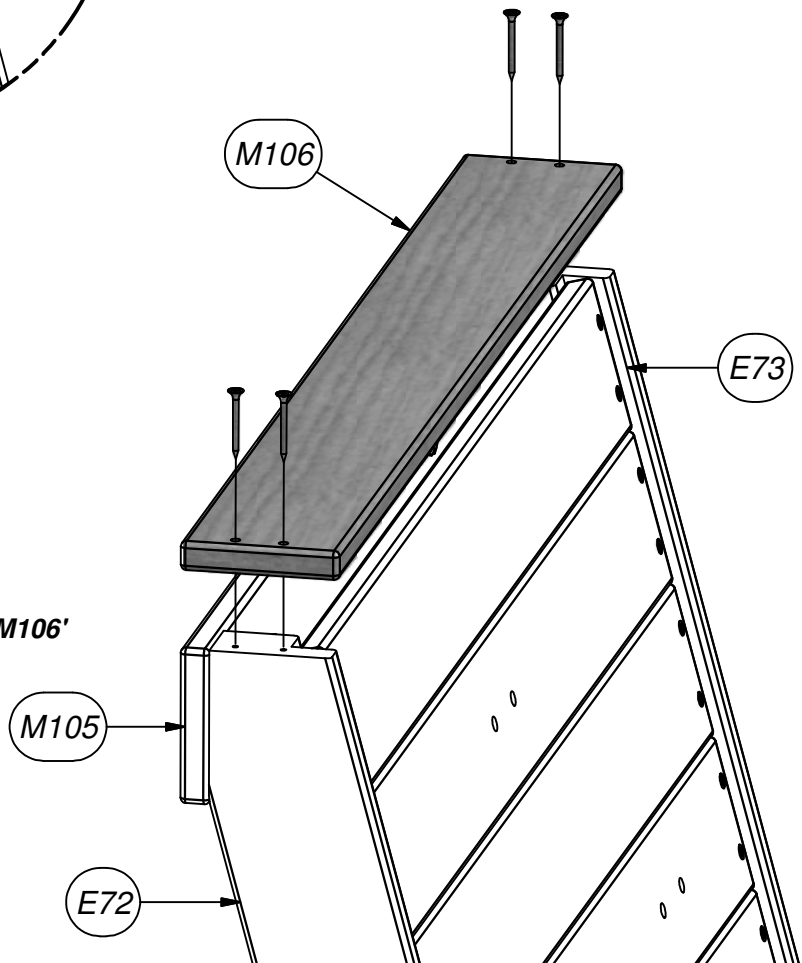


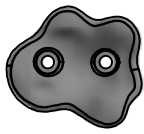
- (1) **M106 - ROCK WALL TOP BOARD - W4L08405**
5/8"x3 3/8"x27 7/8" (16x86x707)

ROCK WALL ASSEMBLY
STEP 3



NOTE:
USE PILOT HOLES TO ATTACH 'M106'





(12) - GREEN HC ROCK #1 - A6P00036

**ROCK WALL ASSEMBLY
STEP 4**

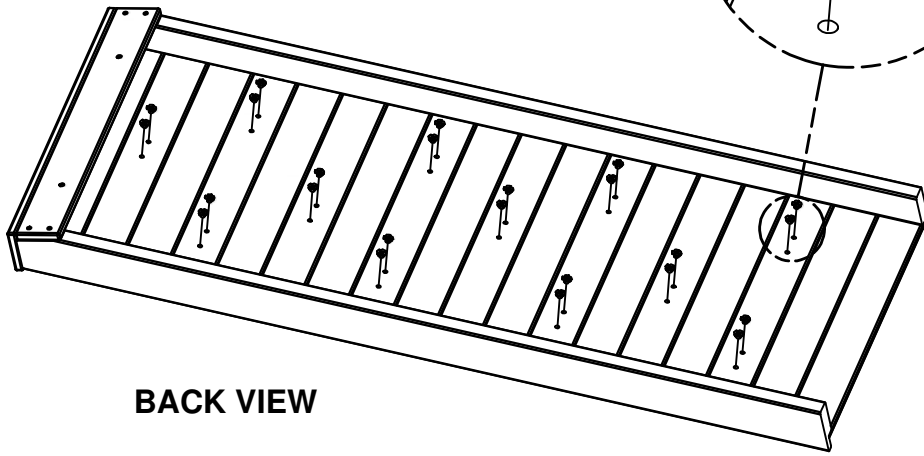
(24) **BOLT PTH**
1/4x3/4

(24) **T-NUT** 1/4

(24) **WASHER**
LOCK INT
8x15

FIG. 1

T-NUT 1/4
(24 PLCS)

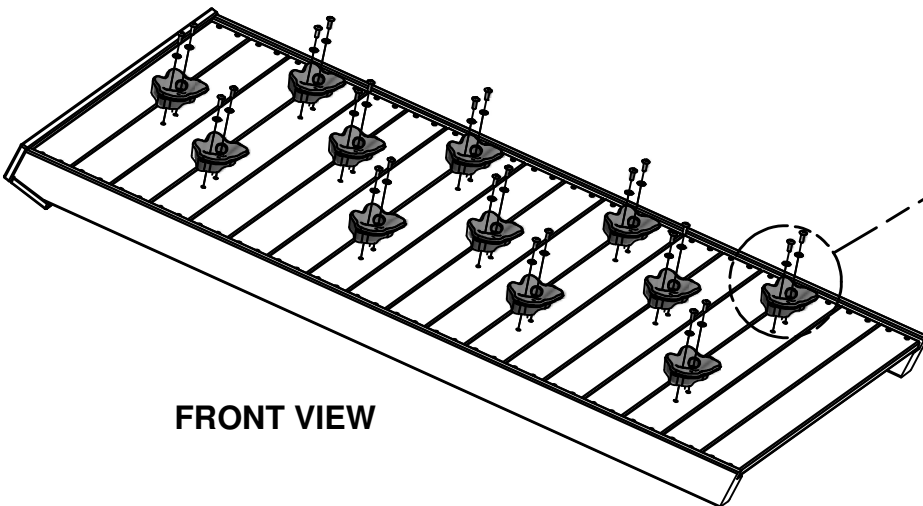


BACK VIEW

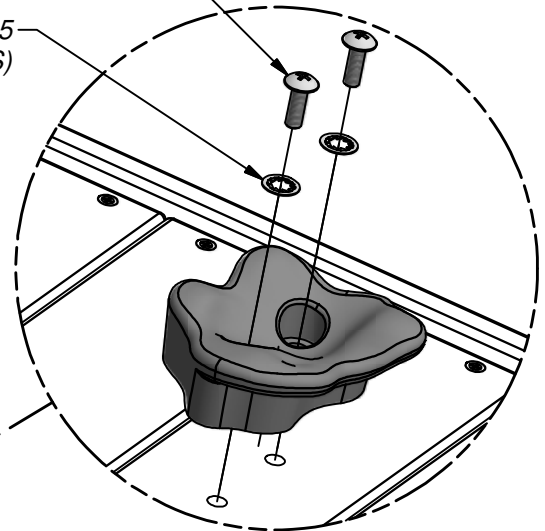
FIG. 2

BOLT PTH 1/4x3/4
(24 PLCS)

WASHER LOCK INT 8x15
(24 PLCS)



FRONT VIEW





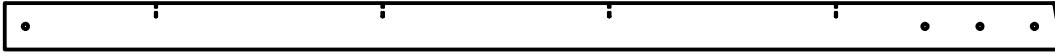
(2) - TRIANGLE PLATE 100° 5 HOLE - A4M00614



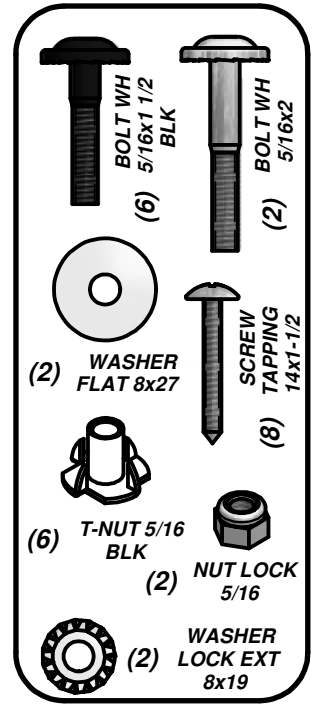
(4) EC - METAL RUNG 559 GREEN - A100045



(2) TZ - L BRACKET 2.5x38x50x55 - A100340



(2) E74 - MONKEY BAR RAIL - W4L08407
1 3/8"x3 3/8"x77 1/8" (36x86x1959)



MONKEY BAR ASSEMBLY STEP 1

NOTE:
USE PILOT HOLES TO
ATTACH METAL RUNGS

FIG. 1

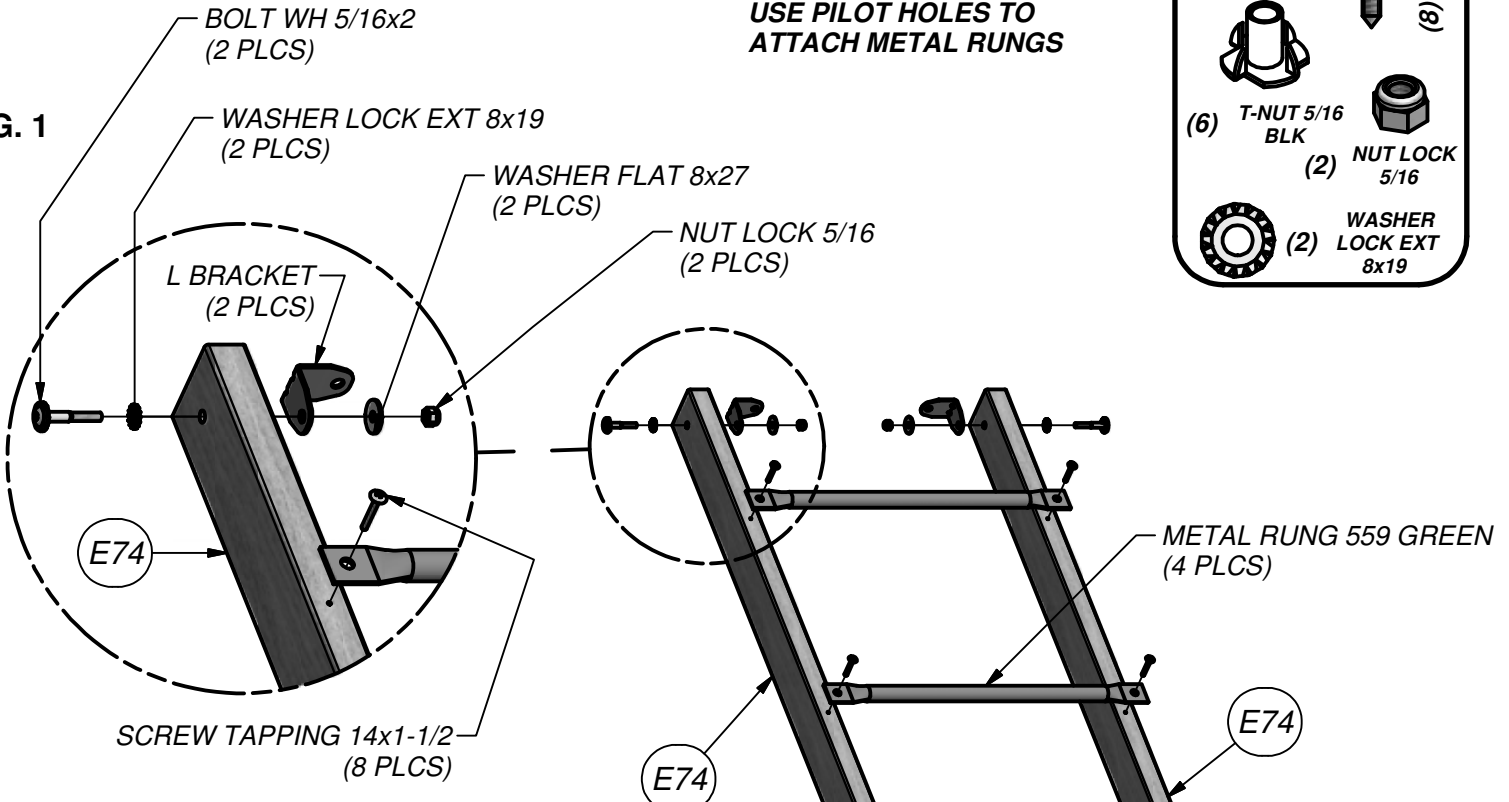
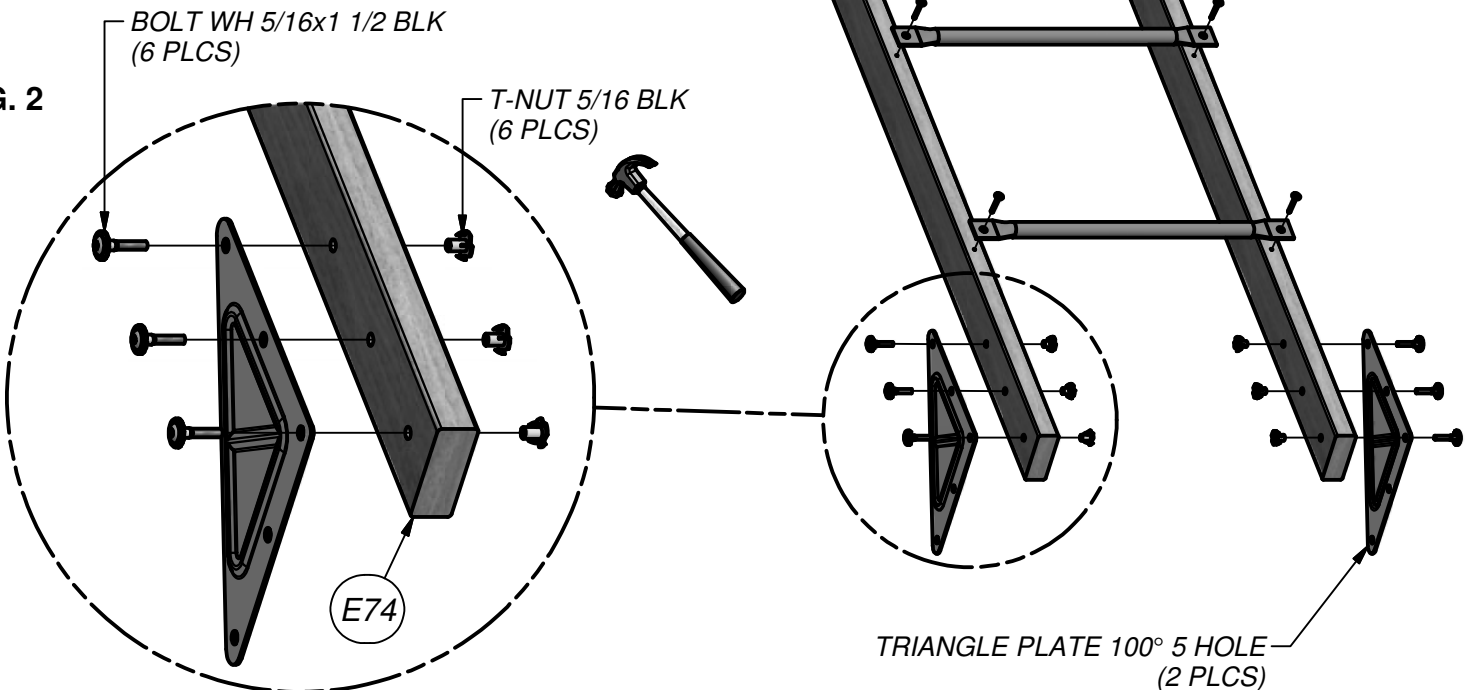
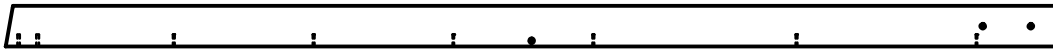


FIG. 2

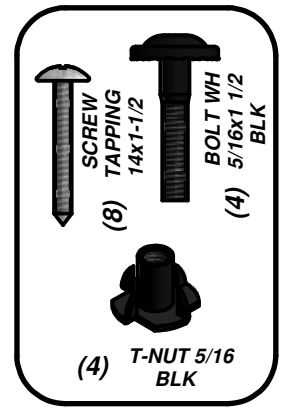




(4) EC - METAL RUNG 559 GREEN - A100045



(2) E79 - MONKEY BAR UPRIGHT - W4L08408
1 3/8" x 3 3/8" x 88 1/8" (36x86x2237)



MONKEY BAR ASSEMBLY STEP 2

FIG. 1

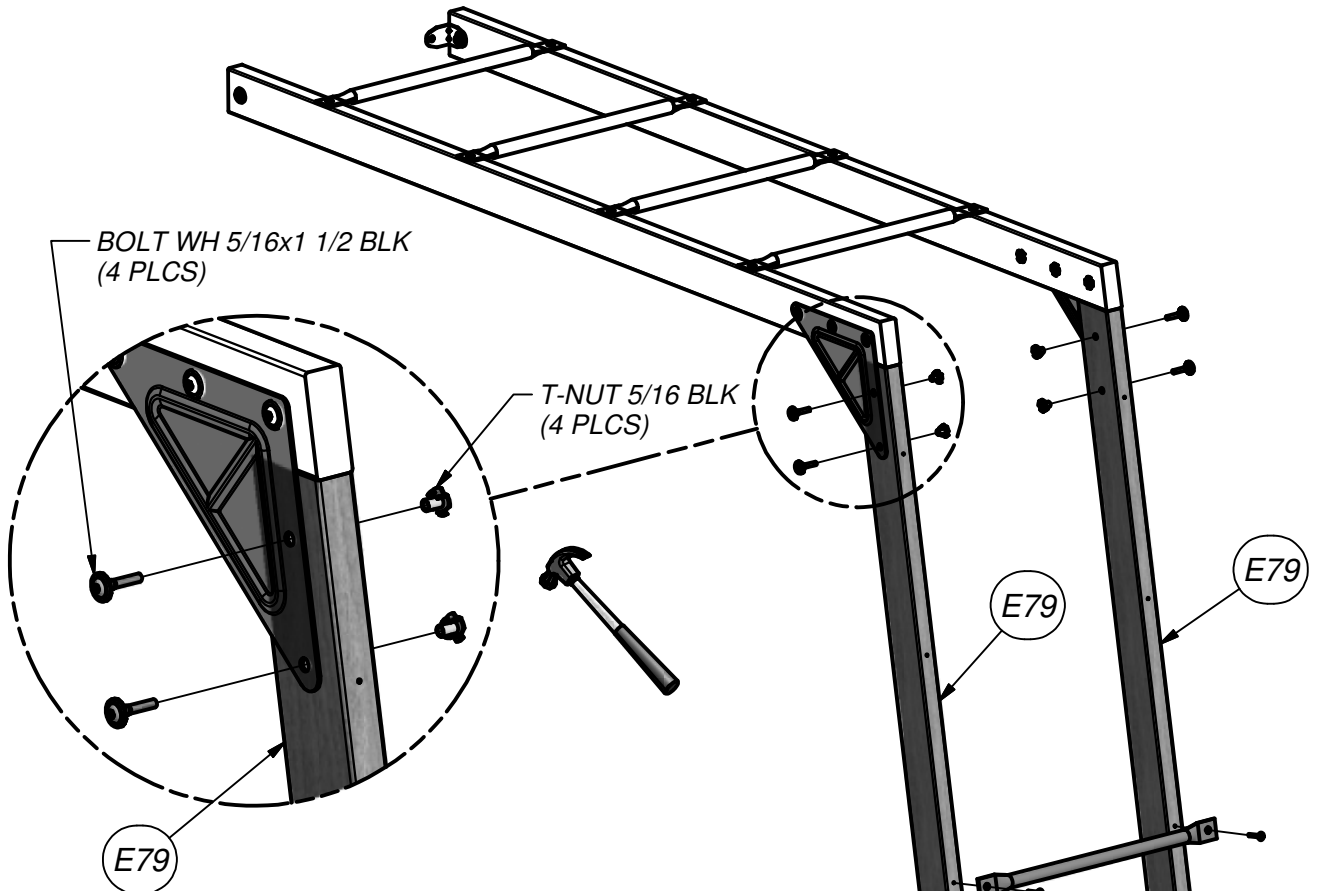
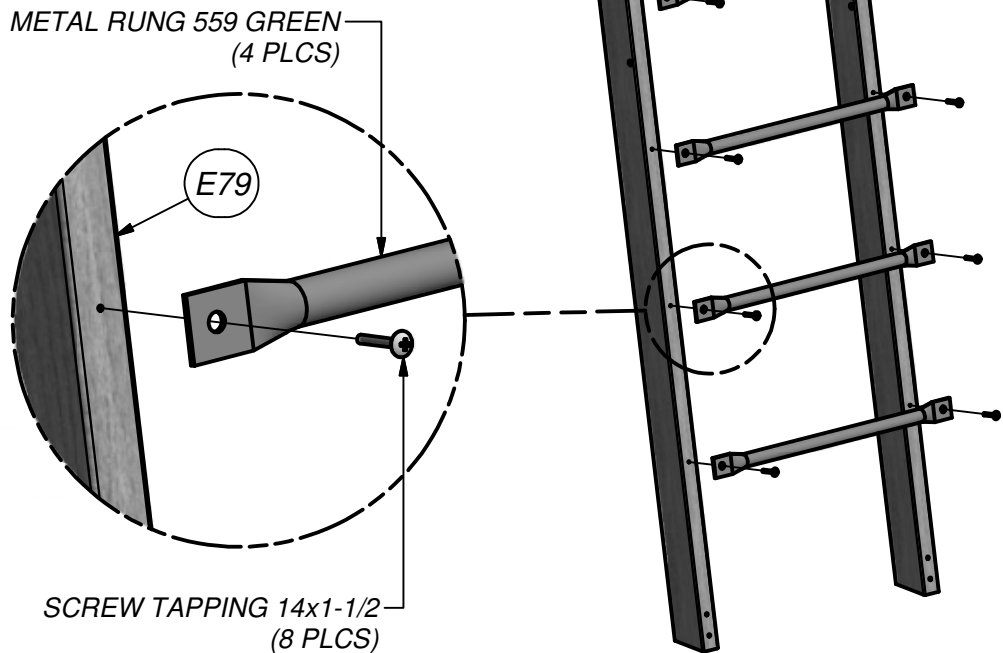
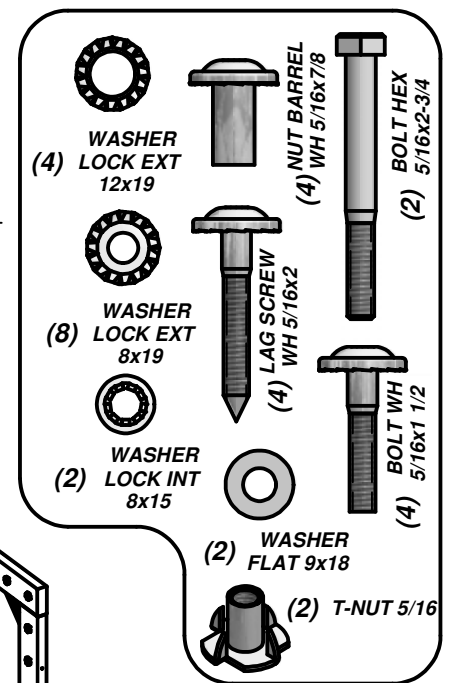
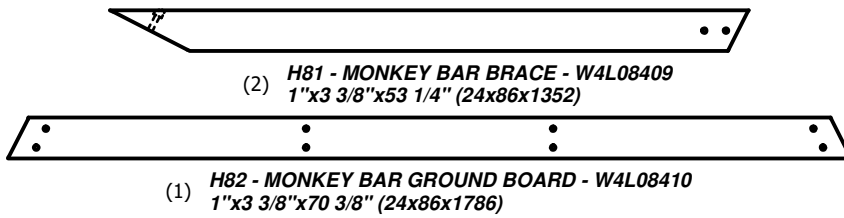


FIG. 2

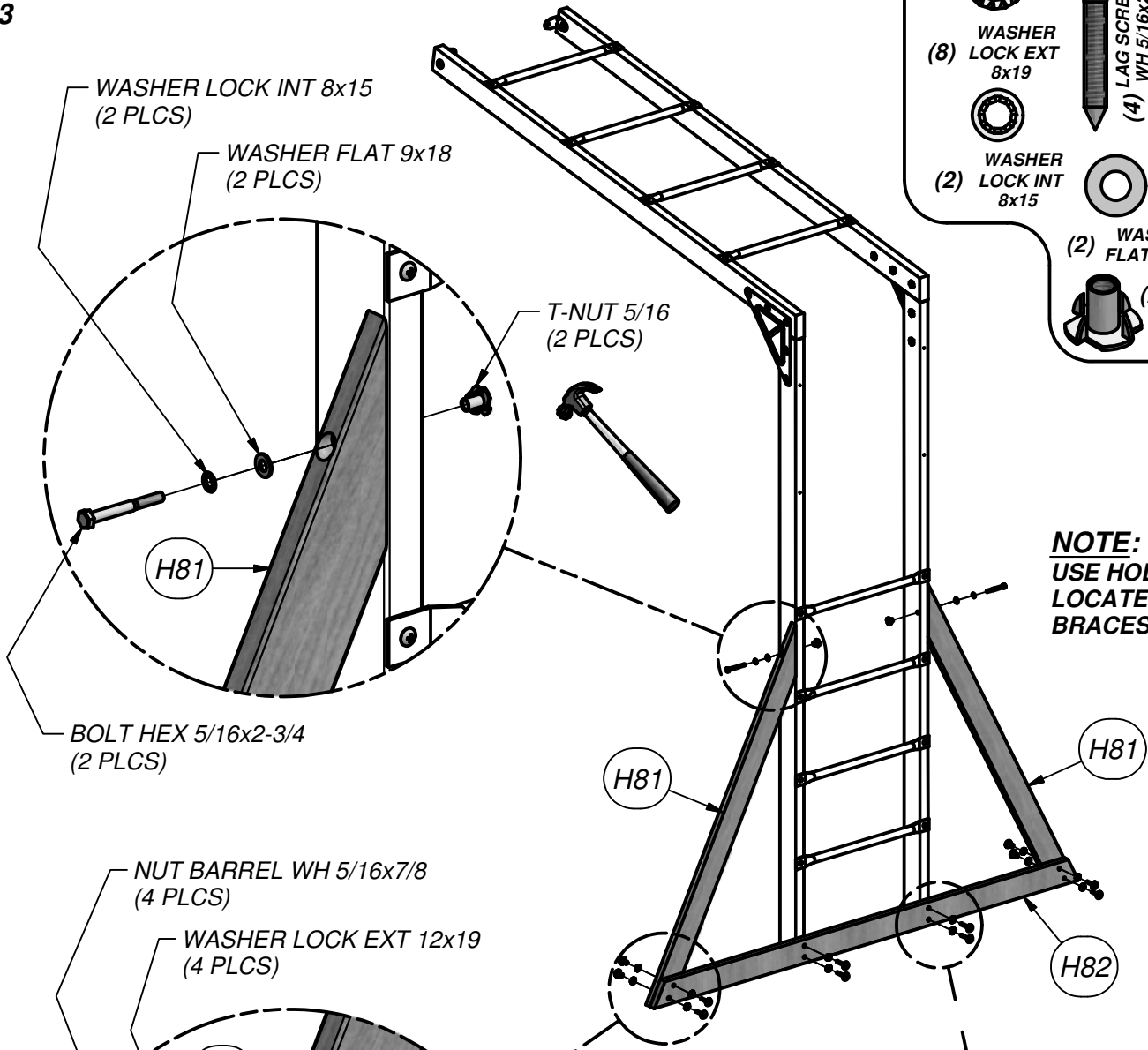


NOTE:
USE PILOT HOLES TO
ATTACH METAL RUNGS



MONKEY BAR ASSEMBLY
STEP 3

FIG. 1



NOTE:
USE HOLES TO
LOCATE ANGLE
BRACES

FIG. 2

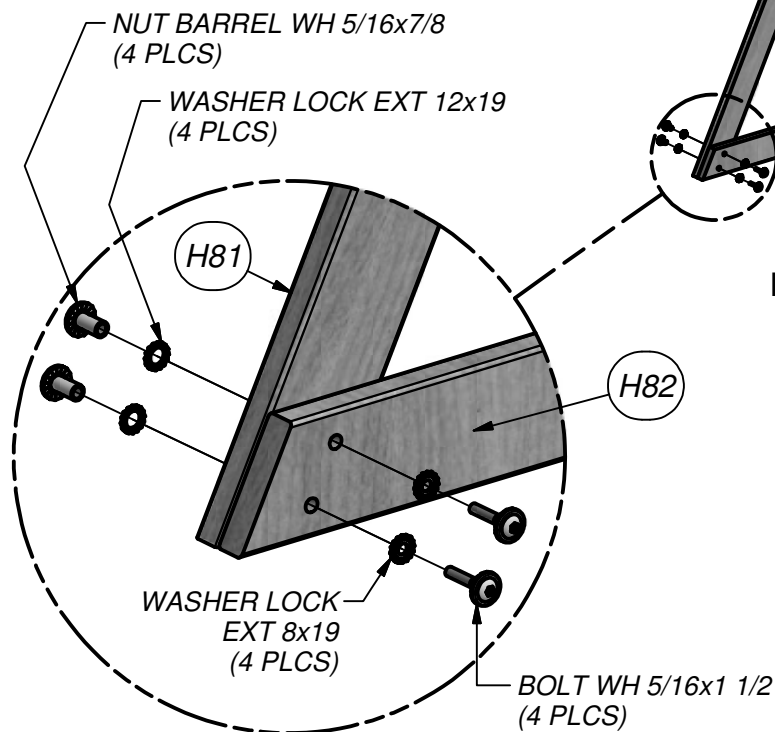
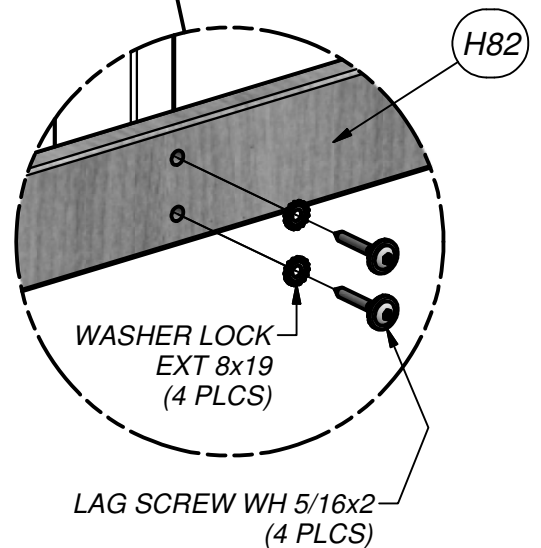


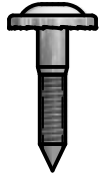
FIG. 3



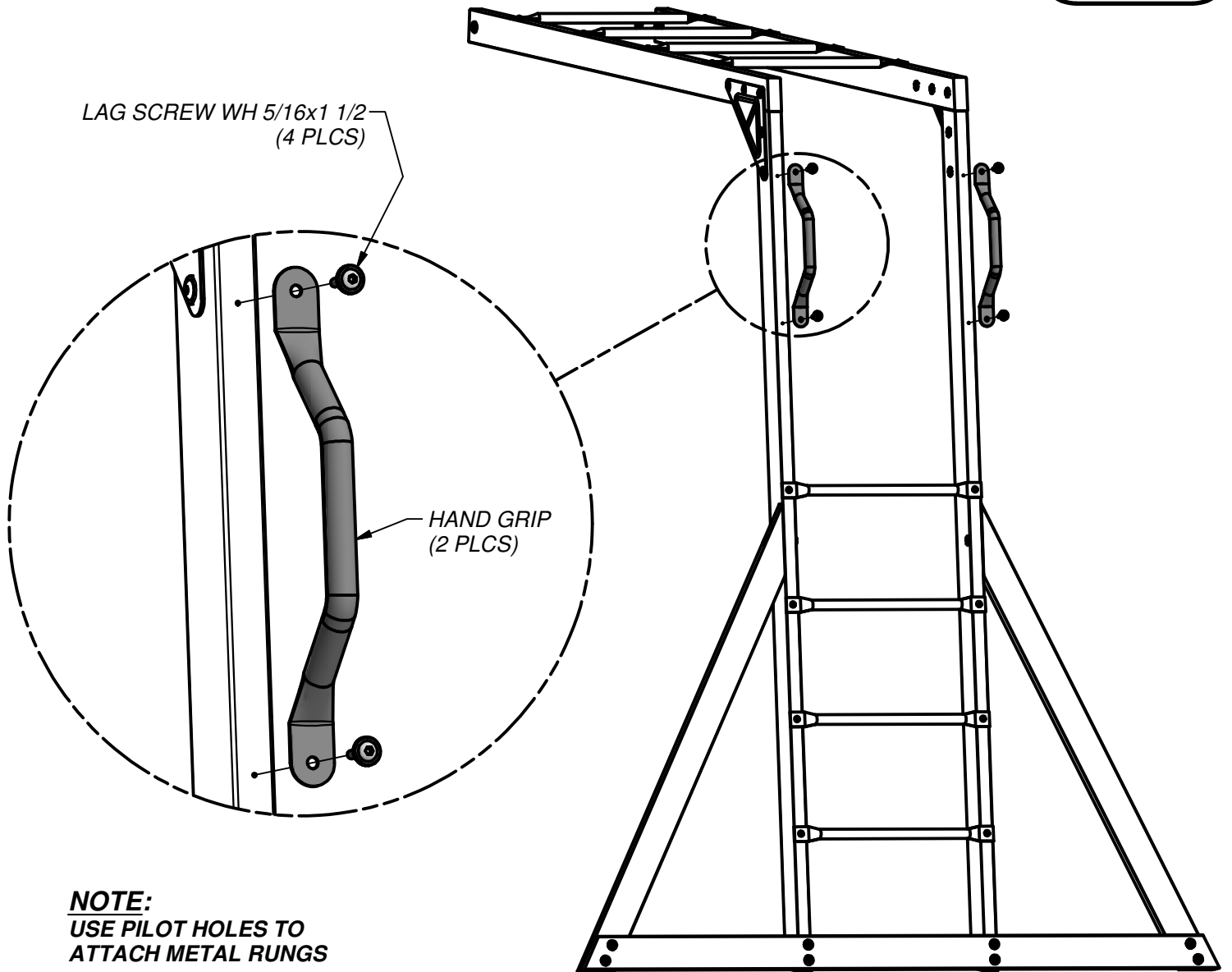


(2) FX - HAND GRIP METAL GREEN 381 c/c - A100118

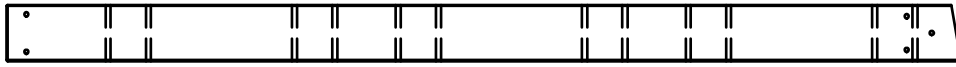
**MONKEY BAR ASSEMBLY
STEP 4**



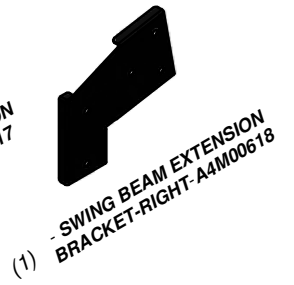
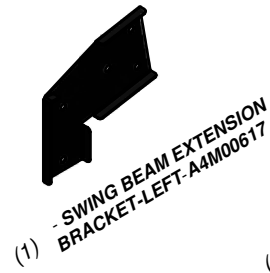
(4) LAG SCREW
WH 5/16x1 1/2



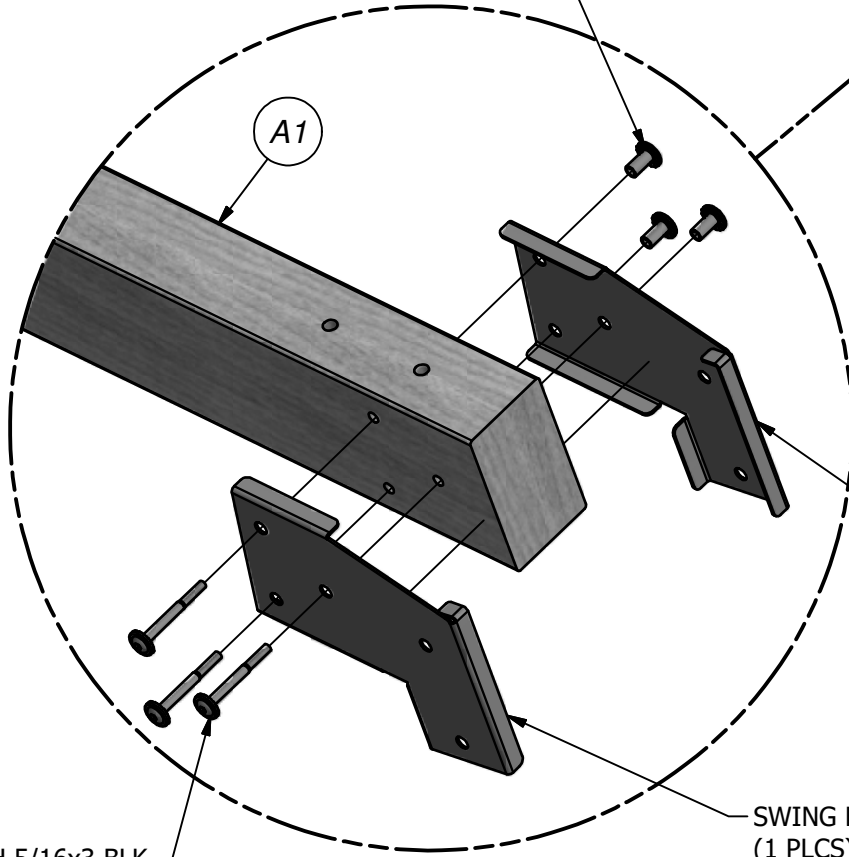
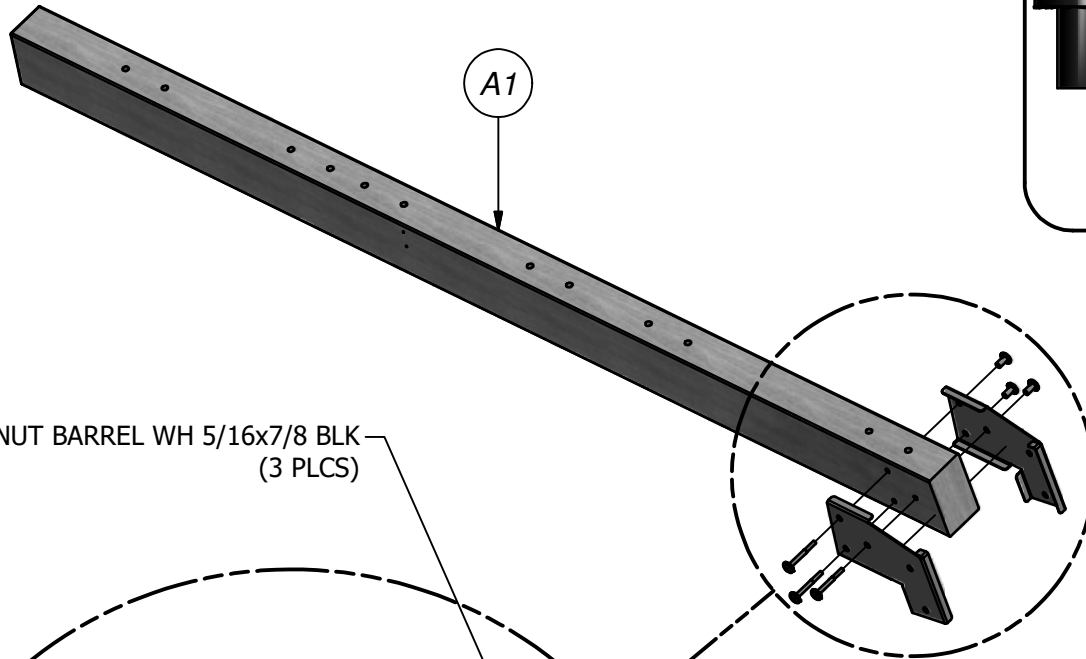
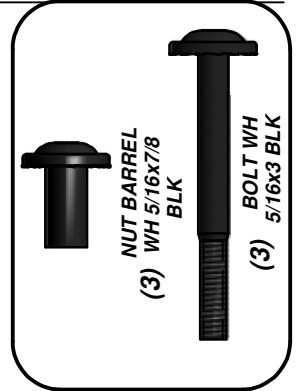
NOTE:
USE PILOT HOLES TO
ATTACH METAL RUNGS



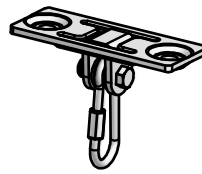
(1) A50 - SWING BEAM - W102416
3 3/8"x5 1/4"x89 1/2" (86x134x2274)



**SWINGBEAM ASSEMBLY
STEP 1**



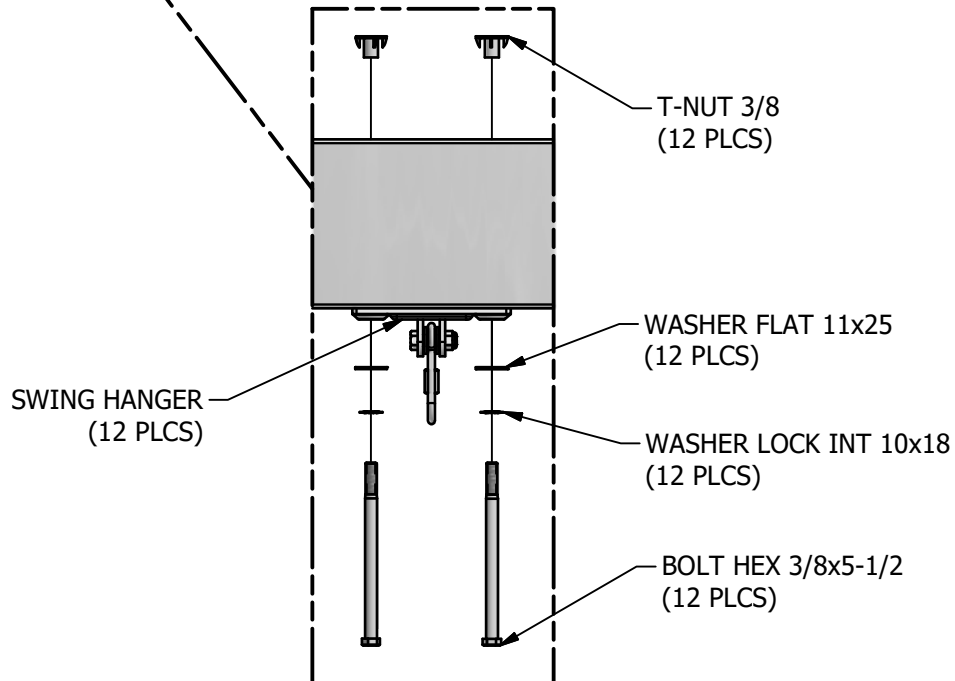
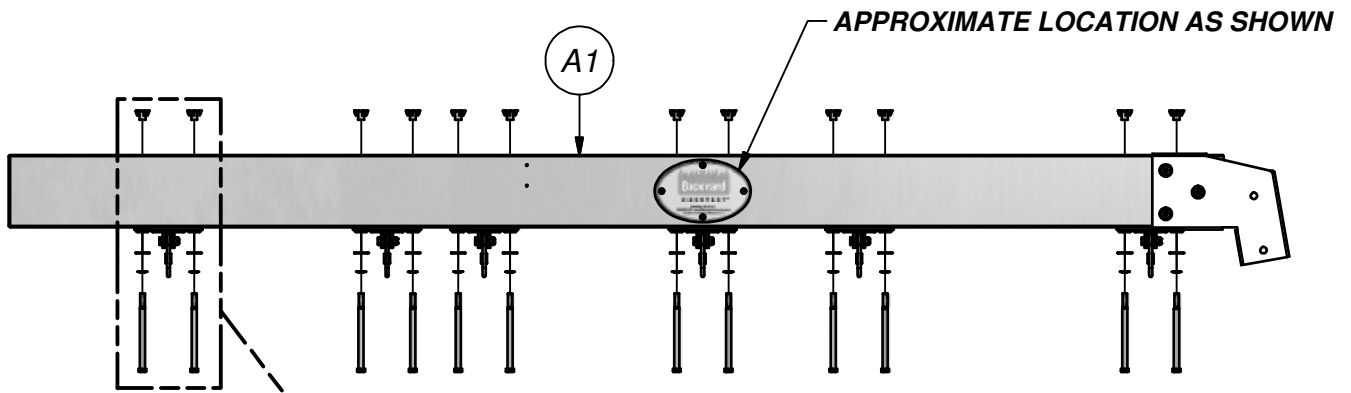
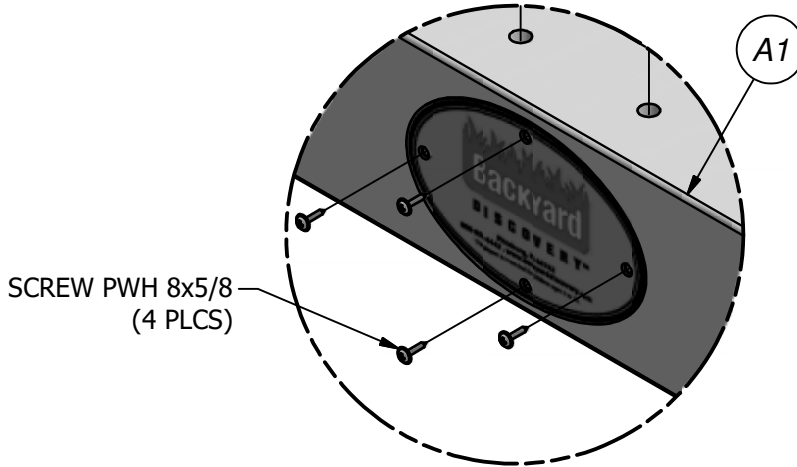
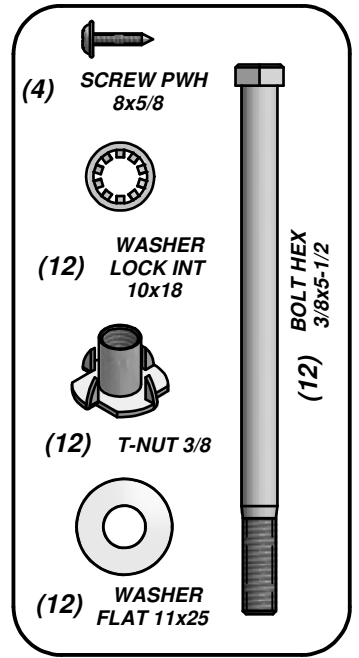
BOLT WH 5/16x3 BLK
(3 PLCS)



(1) HC - BYD ID TAG (LARGE) 2011 WITH AGES - A100164

(6) - SWING HANGER - A4M00505

SWINGBEAM ASSEMBLY STEP 2

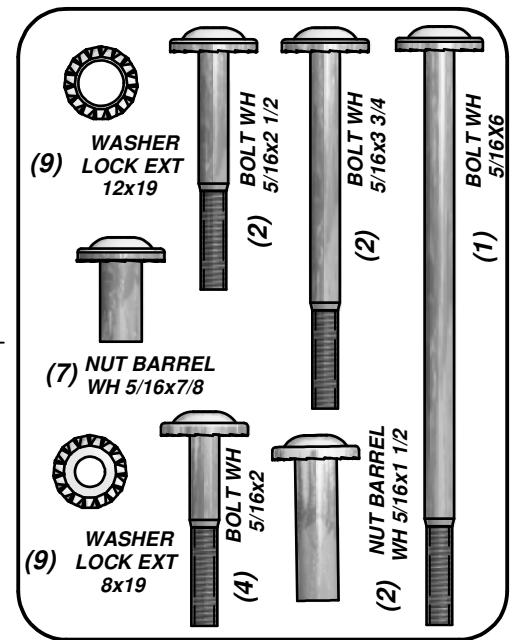


(1) **E50 - END SUPPORT - W4L08004**
 1 3/8"x3 3/8"x44 1/8" (36x86x1120)

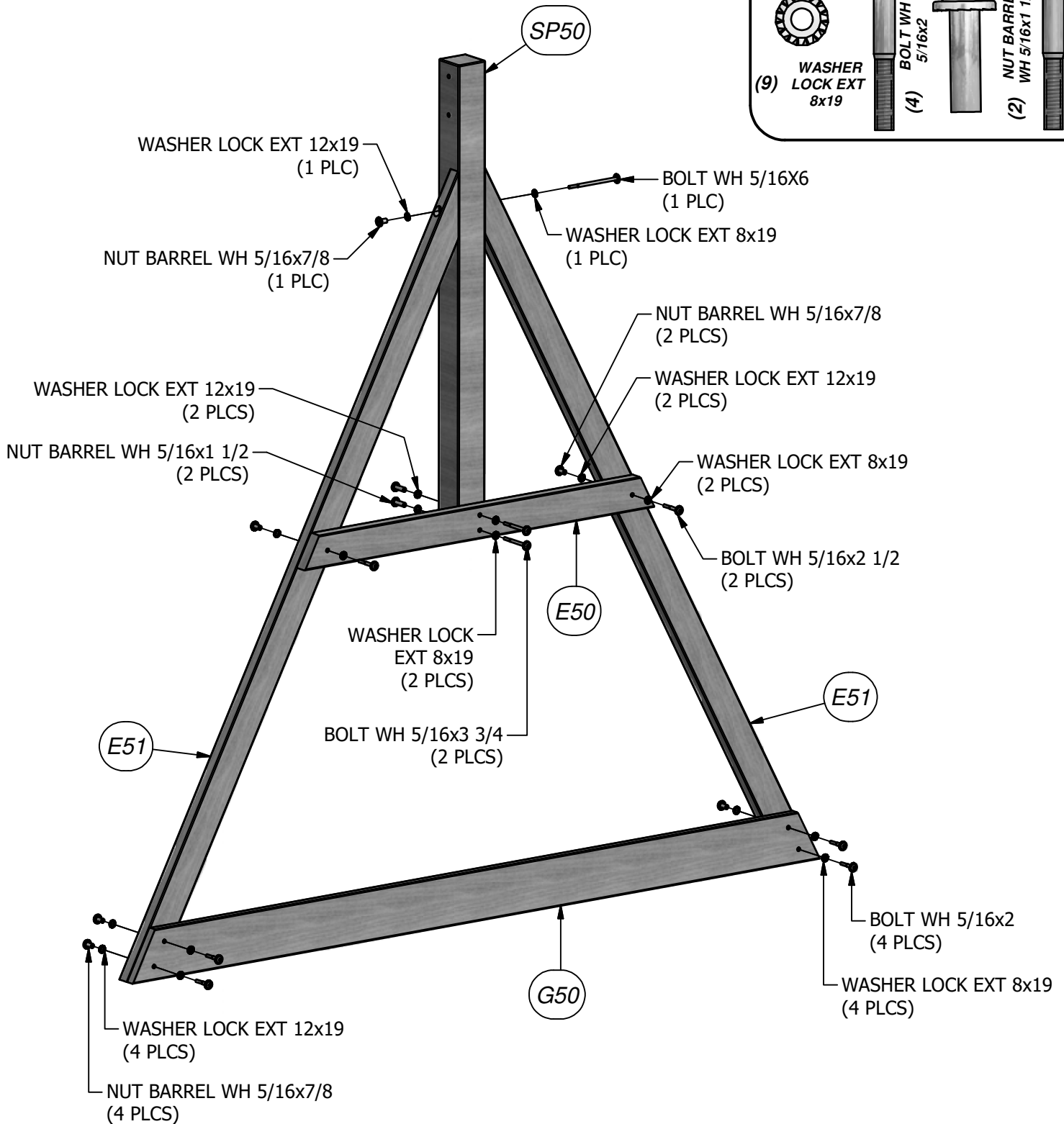
(1) **SP50 - SWING BEAM SUPPORT - W4L08002**
 3 3/8"x3 3/8"x49 3/8" (86x86x1254)

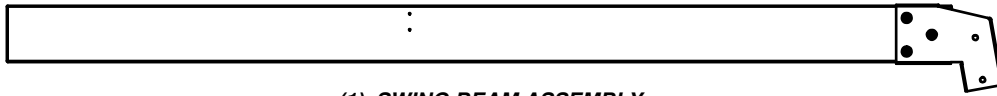
(1) **G50 - GROUND BOARD - W4L08005**
 1"x5 1/4"x86 3/4" (24x134x2202)

(2) **E51 - ANGLE BRACE - W4L08003**
 1 3/8"x3 3/8"x88 3/4" (36x86x2254)



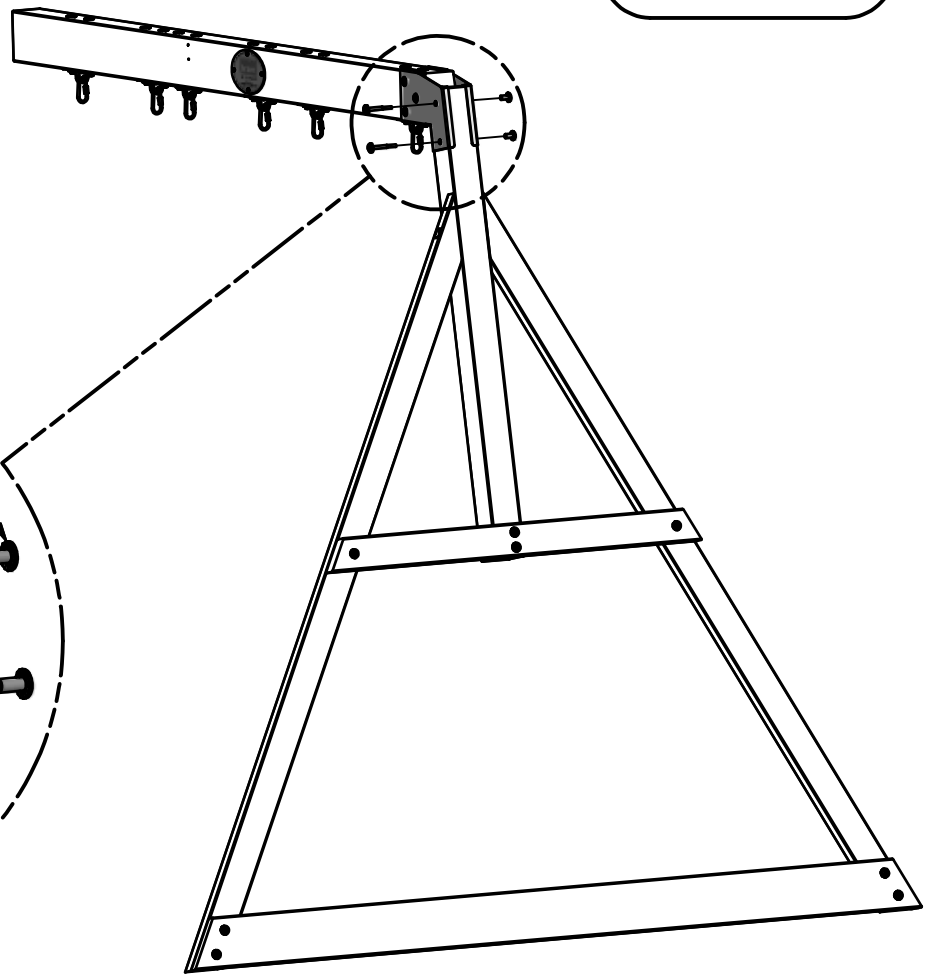
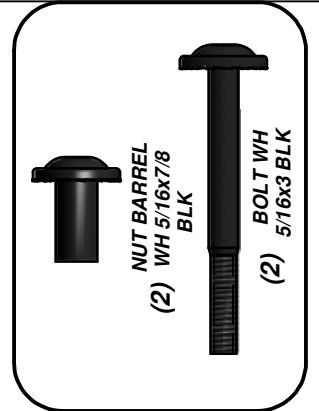
**SWINGBEAM ASSEMBLY
 STEP 3**



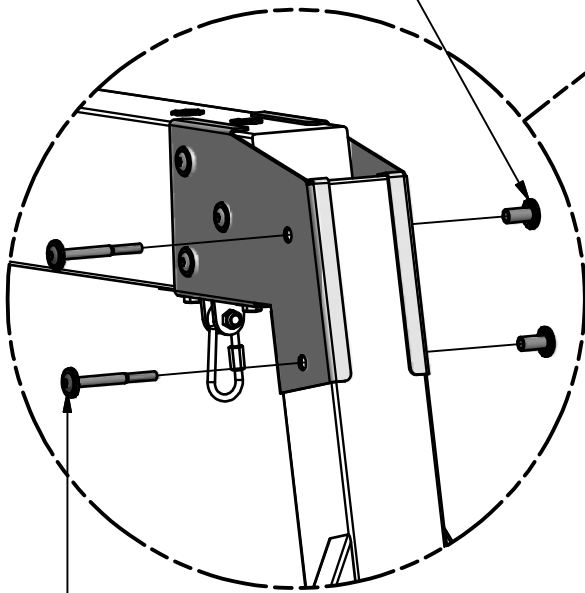


(1) SWING BEAM ASSEMBLY

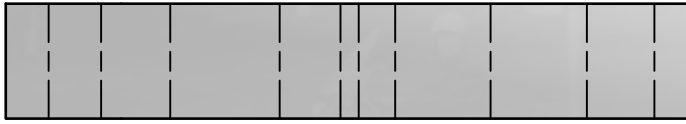
**SWINGBEAM ASSEMBLY
STEP 4**



NUT BARREL WH 5/16x7/8 BLK
(2 PLCS)



BOLT WH 5/16x3 BLK
(2 PLCS)

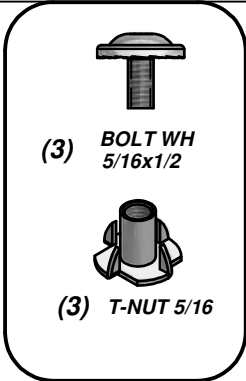


(1) KE - SLIDE BED 10' YELLOW - A100197

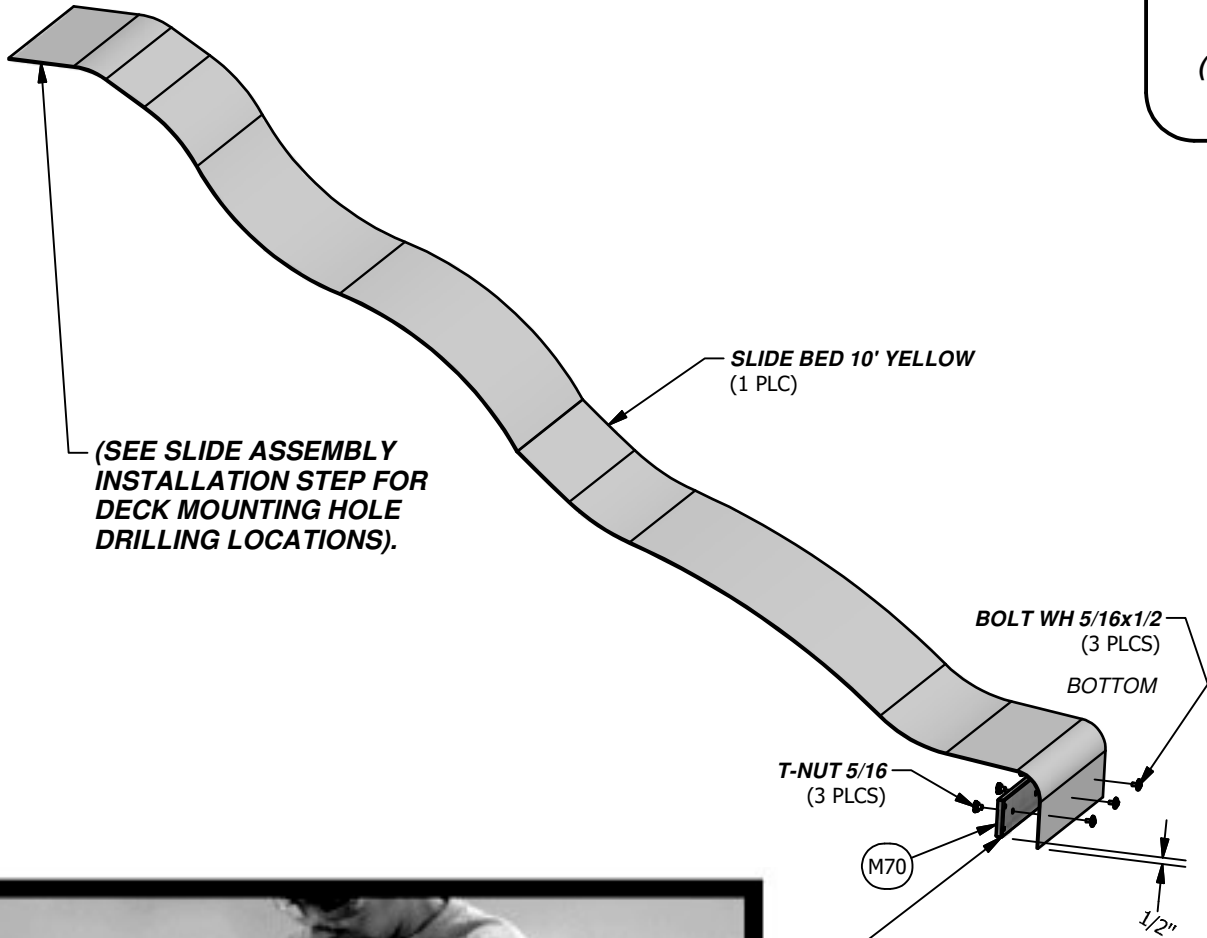


(1) M70 - SLIDE BED SUPPORT - W100935
5/8"x3 3/8"x19 7/8" (16x86x505)

SLIDE ASSEMBLY STEP 1



TOP



(SEE SLIDE ASSEMBLY
INSTALLATION STEP FOR
DECK MOUNTING HOLE
DRILLING LOCATIONS).

USE M70 SLIDE BED SUPPORT AS A
TEMPLATE FOR DRILLING BOTTOM
HOLE PATTERN IN SLIDE BED. BE SURE
TO PLACE SLIDE BRACE UP 1/2" FROM
BOTTOM EDGE OF SLIDE BED BEFORE
MARKING HOLE PATTERN. USE A 3/8"
DRILL BIT TO DRILL HOLE PATTERN.

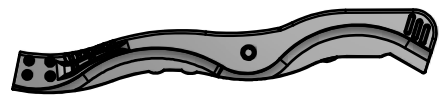


TIP: PREBENDING THE ENDS WILL EASE ASSEMBLY.

(1) DS - SLIDE RAIL 10' BOTTOM RIGHT GREEN - A100031



(1) TR - SLIDE RAIL 10' TOP RIGHT GREEN - A100033



(1) DR - SLIDE RAIL 10' BOTTOM LEFT GREEN - A100030




(1) DT - SLIDE RAIL 10' TOP LEFT GREEN - A100032




SLIDE ASSEMBLY STEP 2

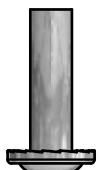
- REPEAT ON OTHER SIDE, MAKING A LEFT AND RIGHT ASSEMBLY.



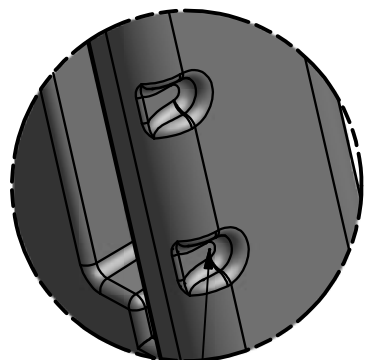
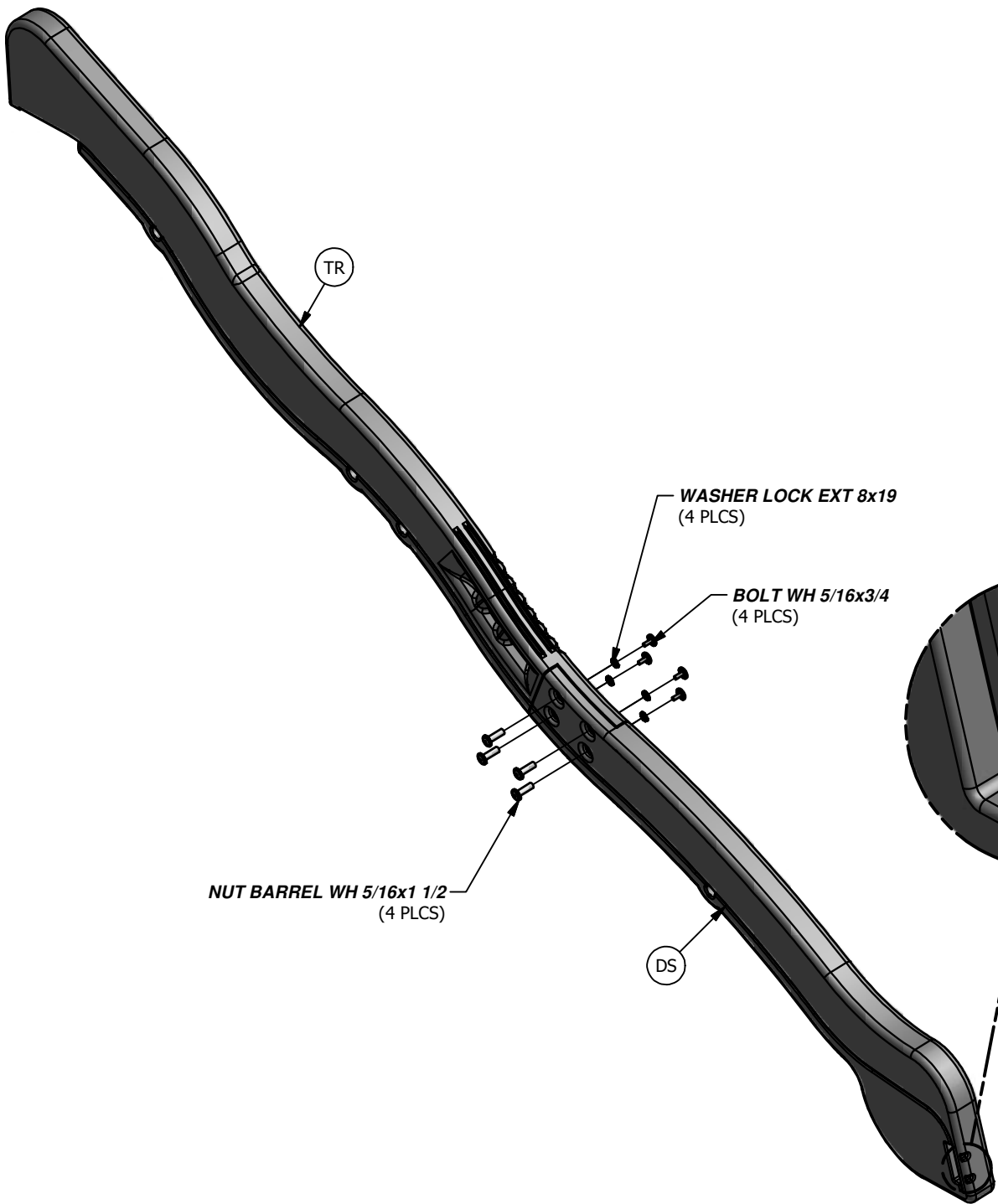
(8) BOLT WH 5/16x3/4



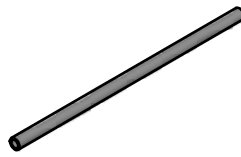
(8) WASHER LOCK EXT 8x19



(8) NUT BARREL WH 5/16x1 1/2



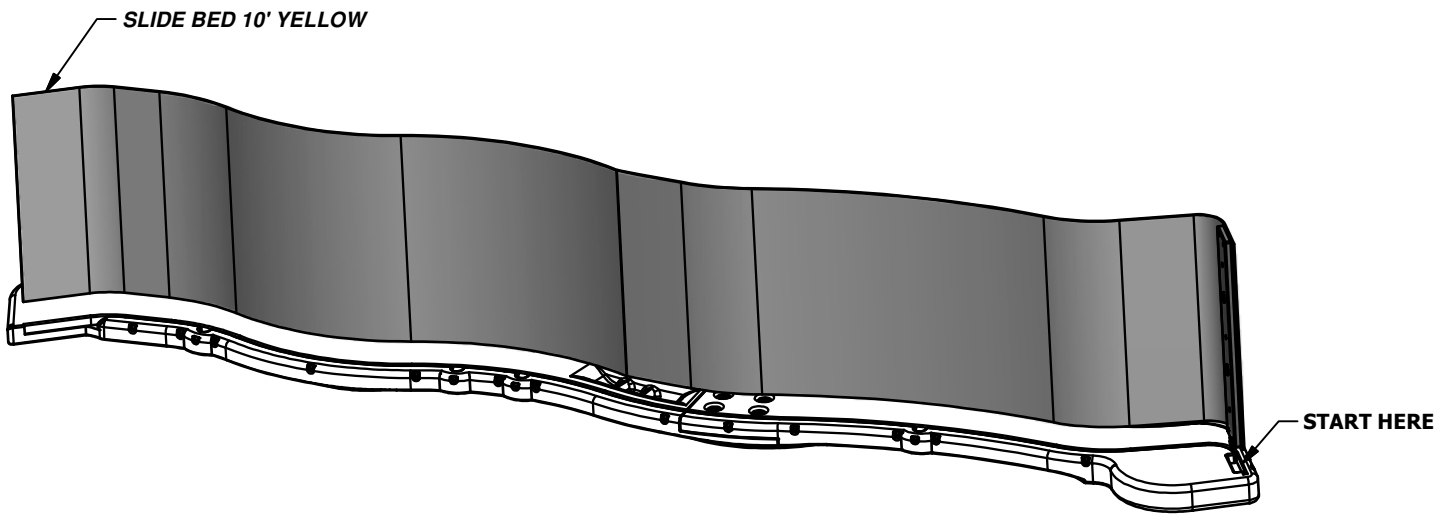
Using an 1/8" drill bit, Pilot drill all screw dimples along the bottom and end edge of the slide rails.



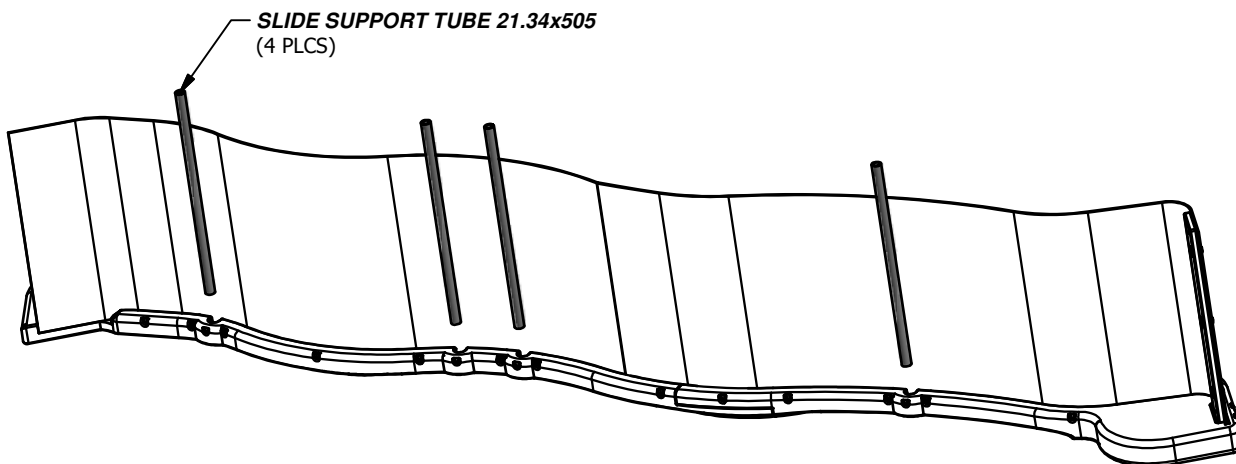
(4) DW - SLIDE SUPPORT TUBE 21.34x505 - A100034
21.34 OD x 2.77 W x 505

SLIDE ASSEMBLY STEP 3

- PLACE (1) SLIDE RAIL ASSEMBLY ON A FLAT SURFACE AND BEGIN INSERTING SLIDE BED AT THE BOTTOM OF THE SLIDE RAIL (FIG. 1). HAVE A HELPER BEND THE SLIDE BED TOWARDS THE TOP OF THE SLIDE AND INSERT THE BED INTO THE SLIDE CAVITY. MAKE SURE SLIDE BED IS COMPLETELY DOWN IN THE SLIDE CAVITY.
- INSTALL THE (4) SLIDE SUPPORT TUBES INTO THEIR RESPECTIVE PILOT LOCATIONS (FIG. 2).



(FIG. 1)

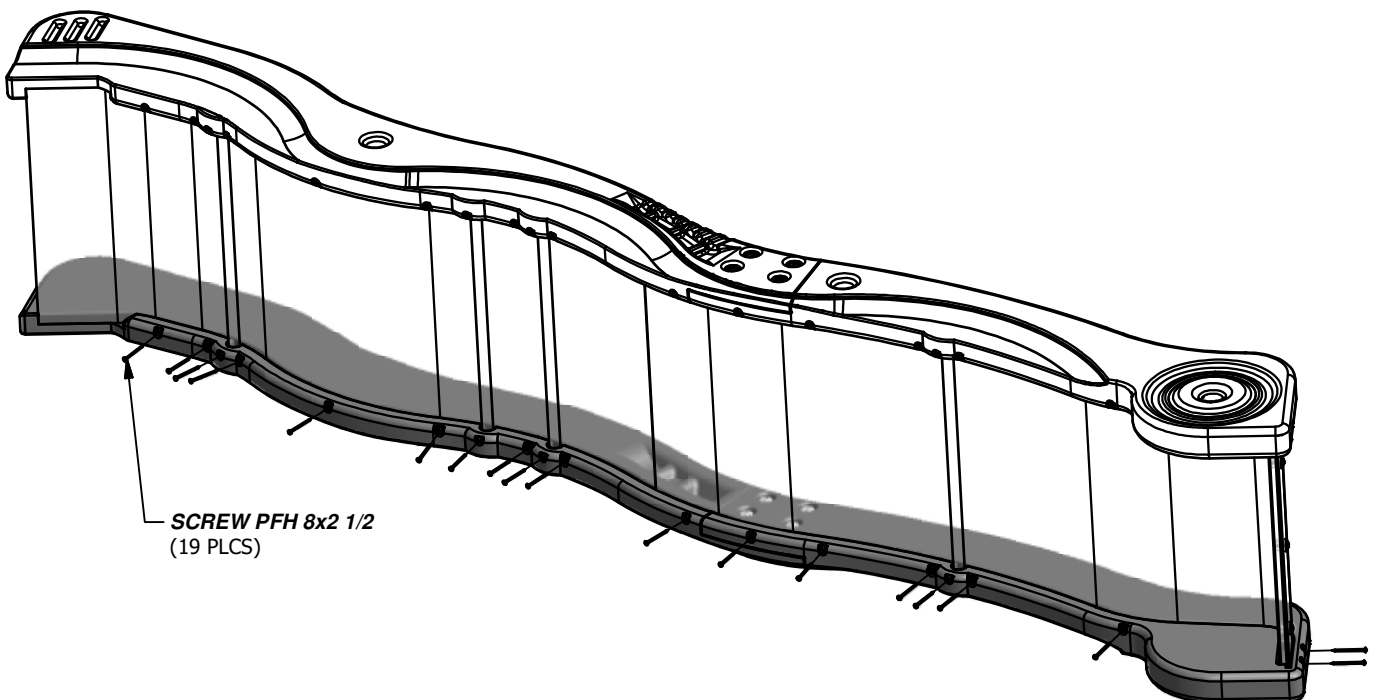
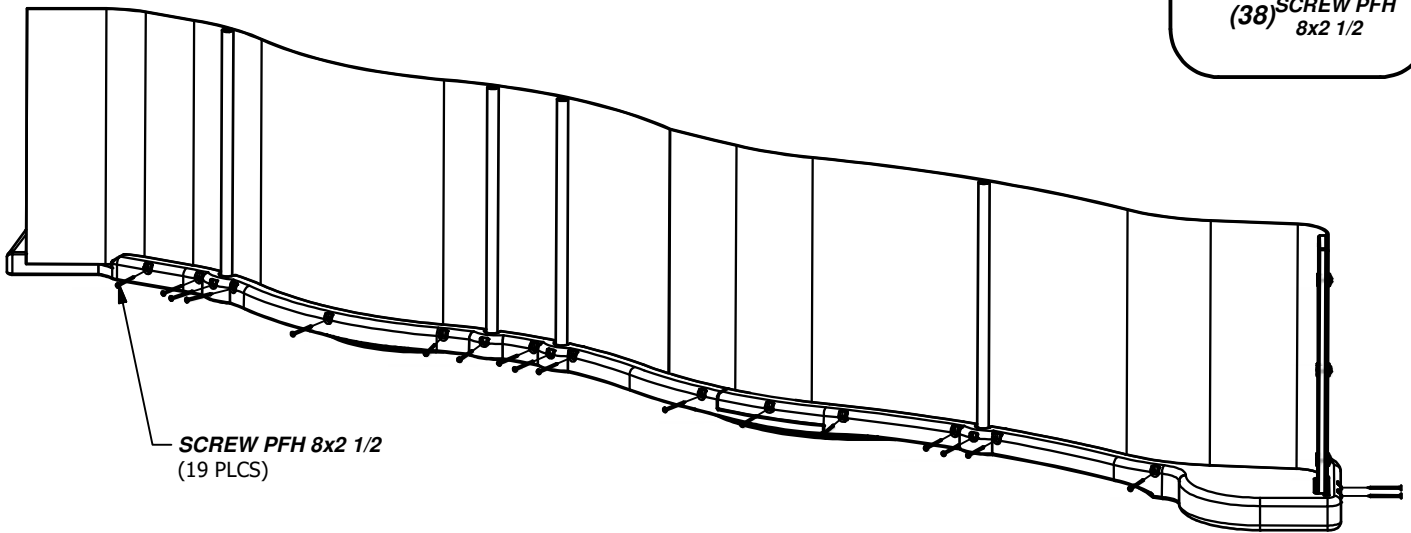
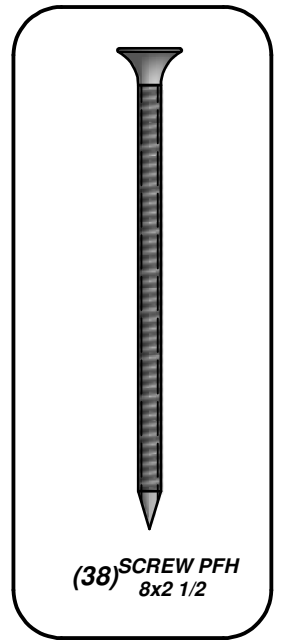


(FIG. 2)

SLIDE ASSEMBLY STEP 4

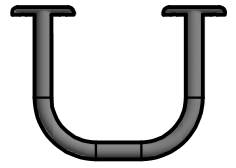
• ONCE THE SLIDE BED, SUPPORT TUBES, AND SUPPORT BOARD ARE COMPLETELY IN THE CAVITY AND SUPPORT POCKET, SECURE USING 2 1/2" SCREWS AT EACH OF THE PILOT HOLE LOCATIONS AS SHOWN.

• REPEAT PROCESS FOR OPPOSITE SLIDE RAIL.



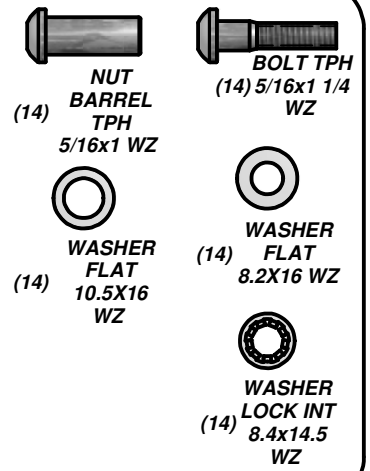
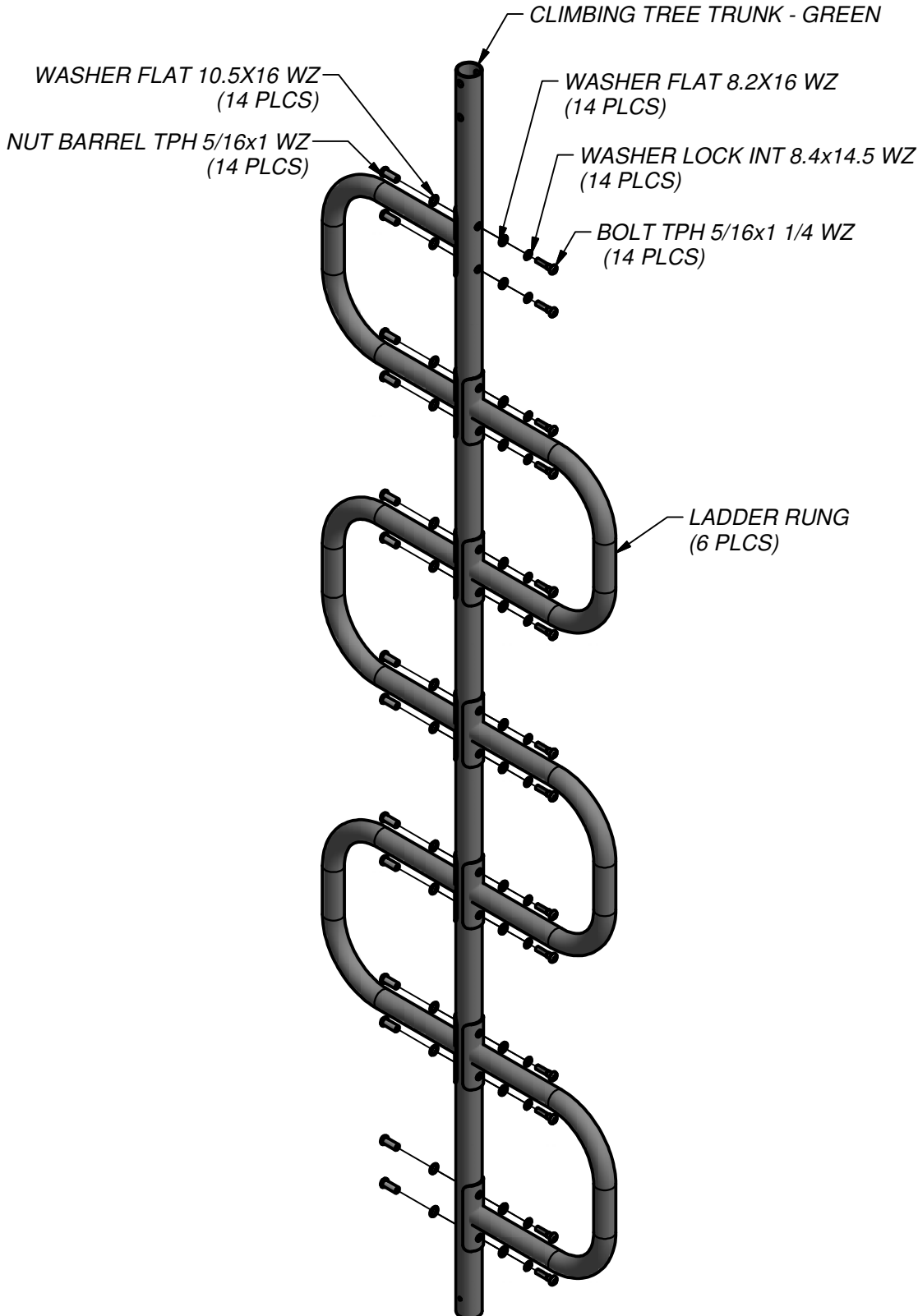


(1) - CLIMBING TREE TRUNK - GREEN - A4M00866



(6) - LADDER RUNG - A4M00867

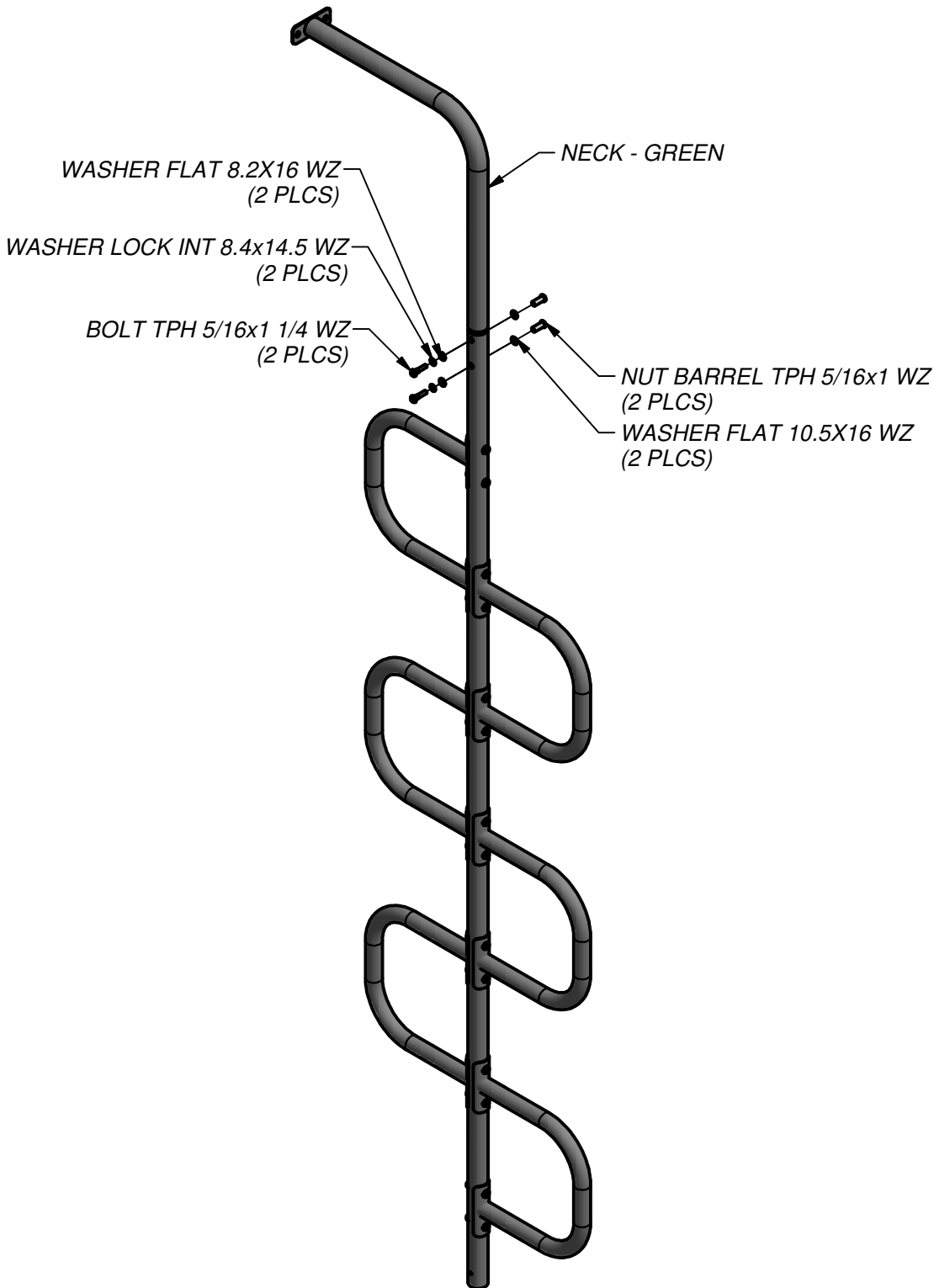
CLIMBING TREE STEP 1








(1) - LADDER NECK - A4M00868



**CLIMBING TREE
STEP 2**



	
NUT BARREL TPH 5/16x1 WZ (2)	BOLT TPH 5/16x1 1/4 WZ (2)
	
WASHER FLAT 10.5X16 WZ (2)	WASHER FLAT 8.2X16 WZ (2)
	
	WASHER LOCK INT 8.4x14.5 WZ (2)

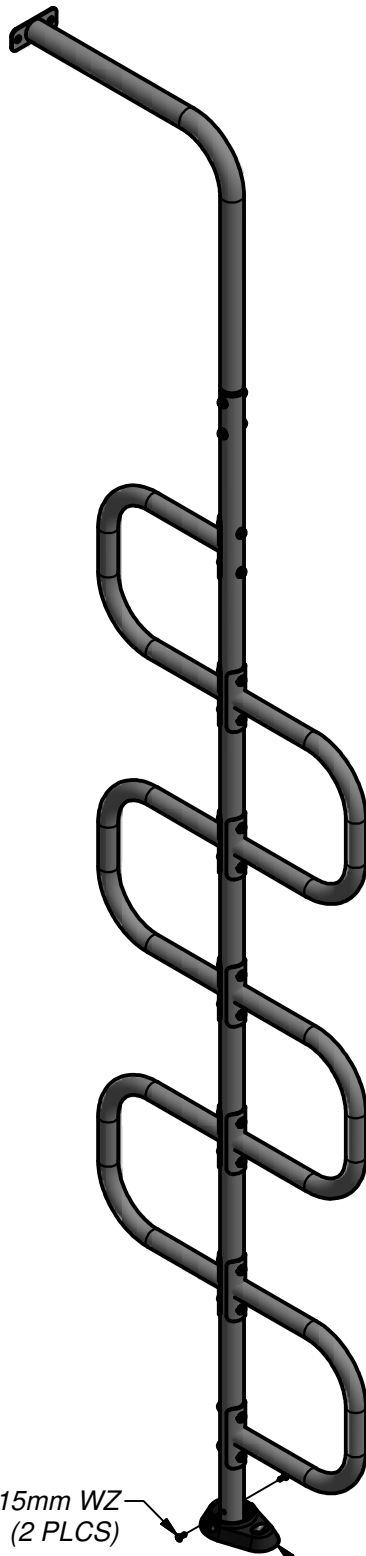


(1) - LADDER FOOT - A6P00190

**CLIMBING TREE
STEP 3**



**SCREW
TAPPING
(2)
PPH
5x15mm
WZ**



SCREW TAPPING PPH 5x15mm WZ
(2 PLCS)

LADDER FOOT



(2) B02 - UPRIGHT - W4L07871
3"x3"x59" (76x76x1500)



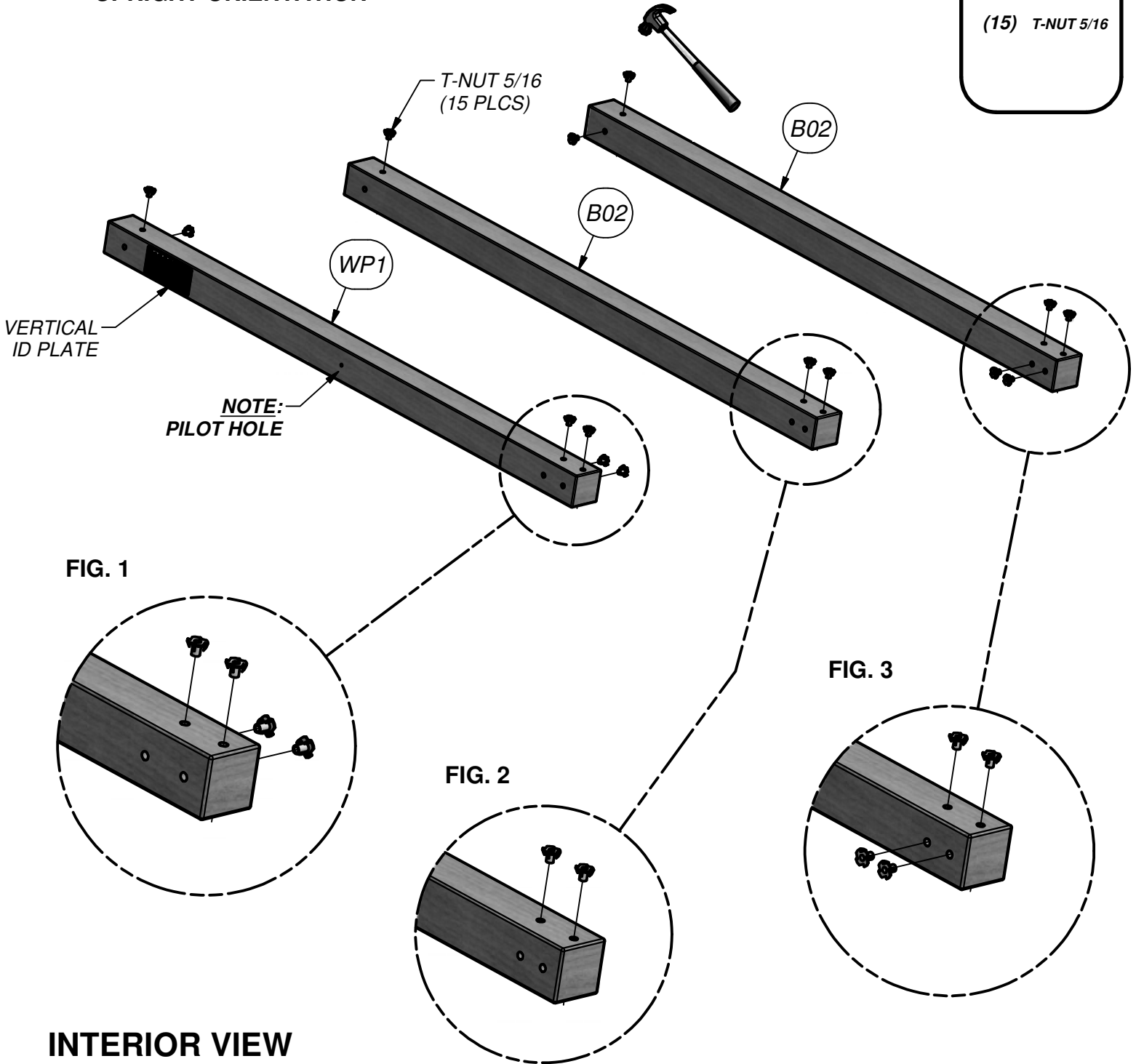
(1) WP1 - WARNING PLATE UPRIGHT - W2A02198
3 1/16"x3"x59" (78x76x1500)

STEP 1

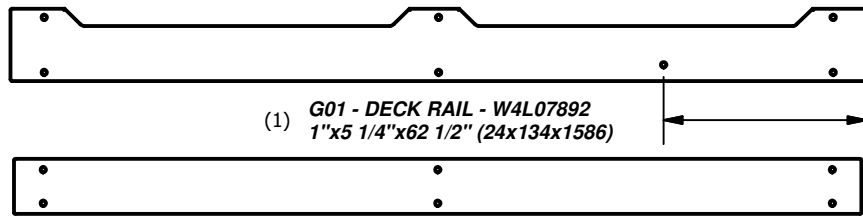
**NOTE:
UPRIGHT ORIENTATION**



(15) T-NUT 5/16



**INTERIOR VIEW
(FRONT UPRIGHTS)
LARGE FORT**



(1) G01 - DECK RAIL - W4L07892
1"x5 1/4"x62 1/2" (24x134x1586)

376 mm
[14 3/4 in]

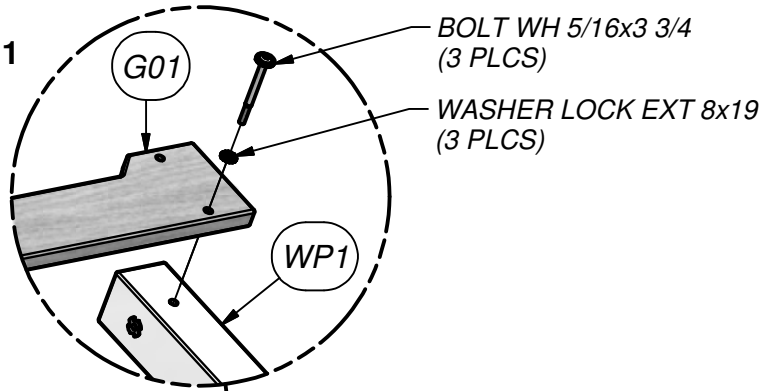


(1) Y1 - GROUND BOARD - W4L07874
5/8"x4"x61 3/4" (16x102x1570)

STEP 2

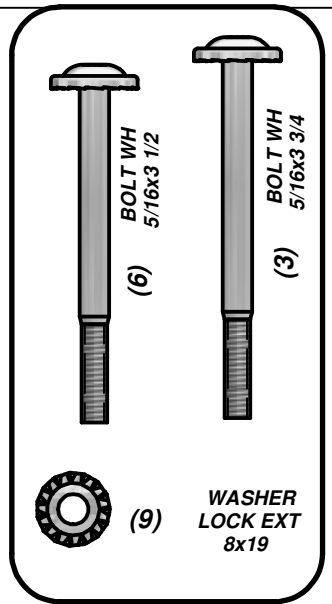
**NOTE:
UPRIGHT ORIENTATION**

FIG. 1

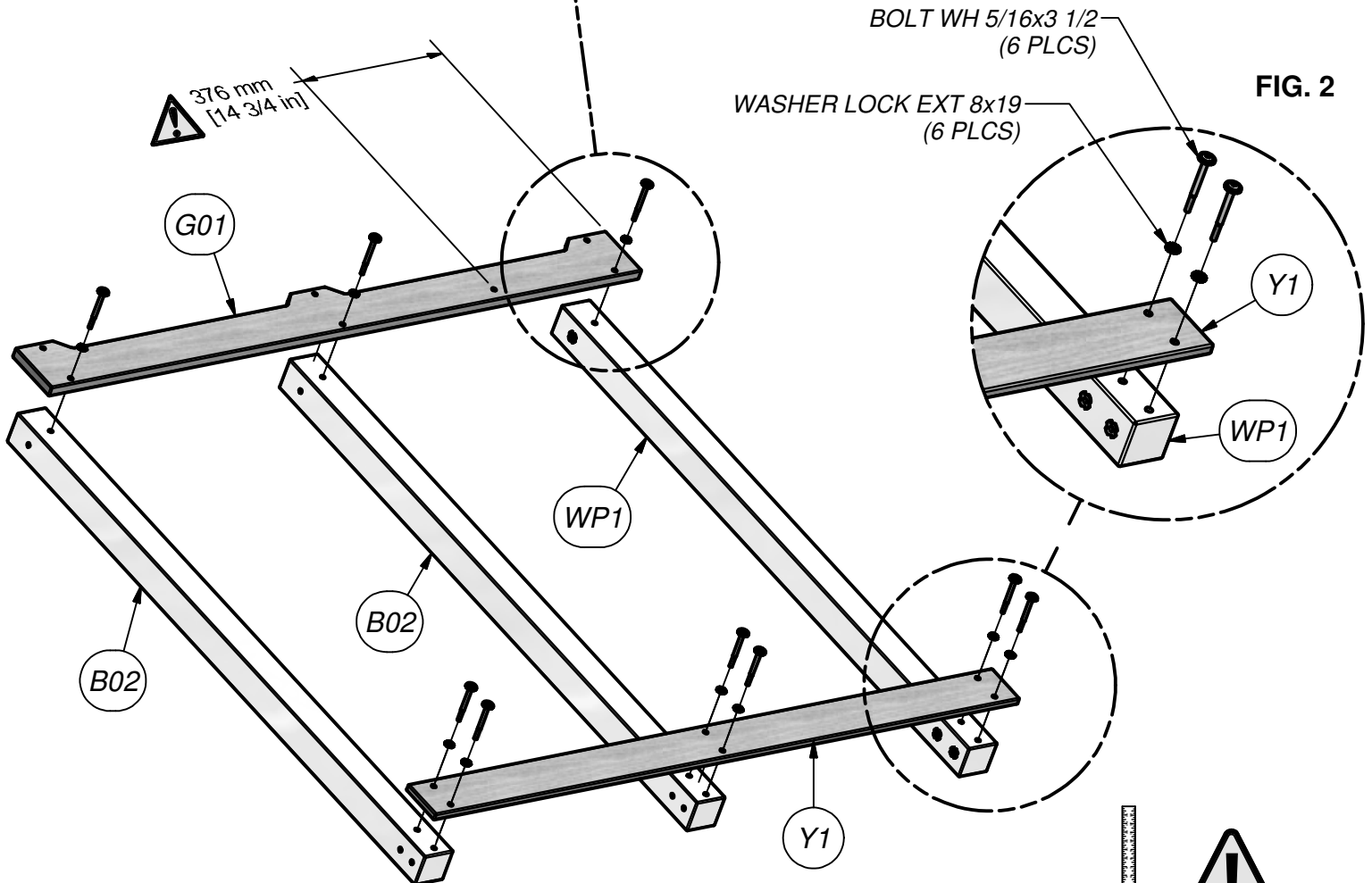


BOLT WH 5/16x3 3/4
(3 PLCS)

WASHER LOCK EXT 8x19
(3 PLCS)



(9) WASHER LOCK EXT 8x19



BOLT WH 5/16x3 1/2
(6 PLCS)

WASHER LOCK EXT 8x19
(6 PLCS)

FIG. 2

**EXTERIOR VIEW
(FRONT WALL)
LARGE FORT**





(2) H01 - FLOOR SUPPORT - W4L07878
1"x3 3/8"x25 5/8" (24x86x652)

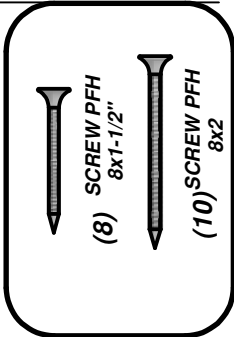
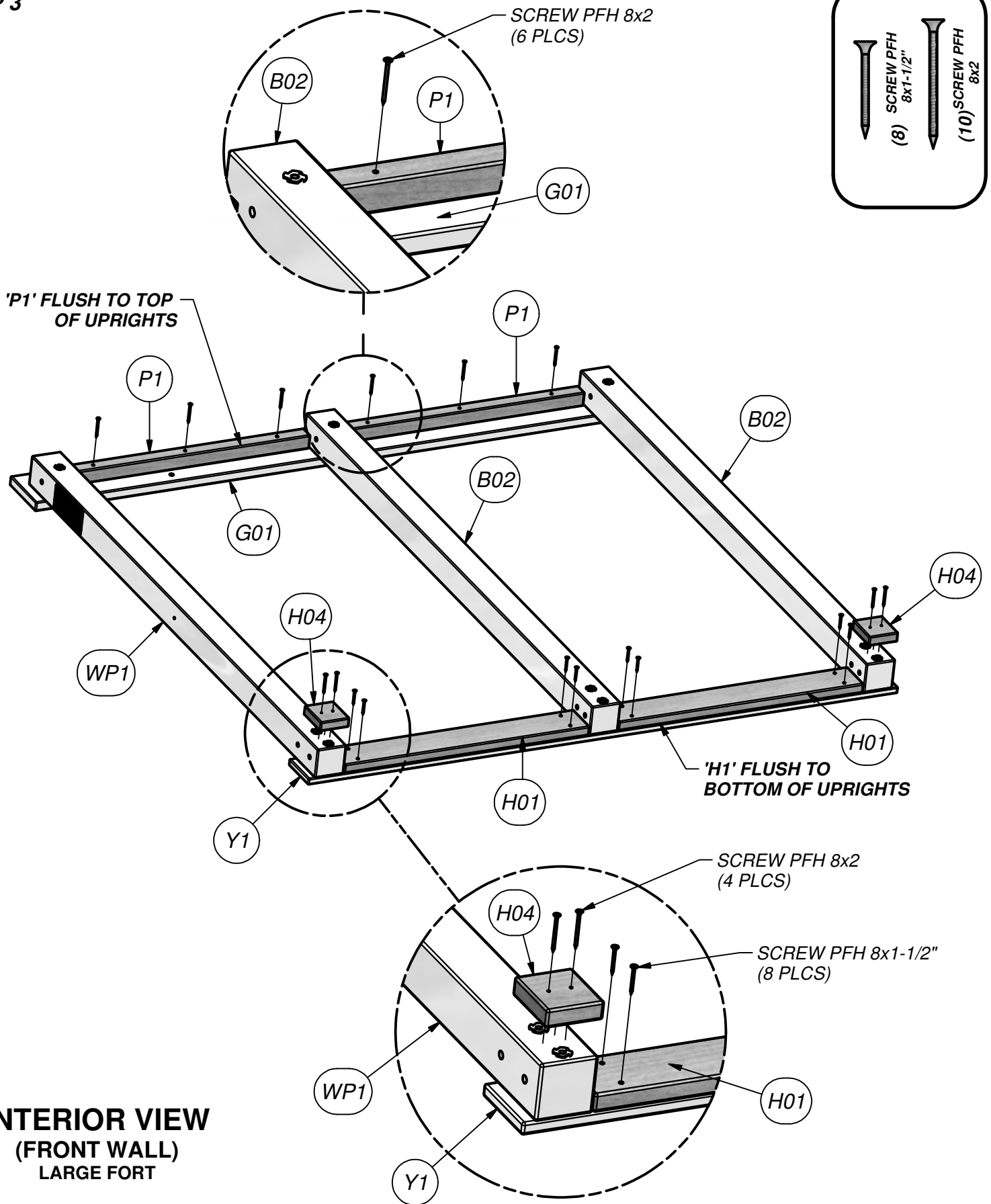


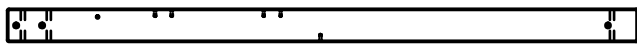
(2) H04 - BLOCK - W4L07881
1"x3 3/8"x3" (24x86x76)



(2) P1 - DECK SUPPORT - W4L07894
1 3/8"x1 3/8"x25 5/8" (36x36x650)

STEP 3





(1) B01 - UPRIGHT - W4L07870
3"x3"x59" (76x76x1500)



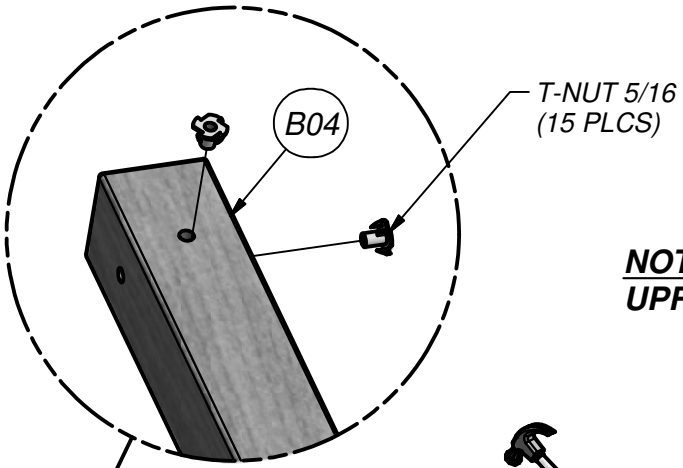
(1) B03 - UPRIGHT - W4L07873
3"x3"x59" (76x76x1500)



(1) B04 - UPRIGHT - W4L07896
3"x3"x59" (76x76x1500)

STEP 4

FIG. 1



NOTE:
UPRIGHT ORIENTATION



(15) T-NUT 5/16

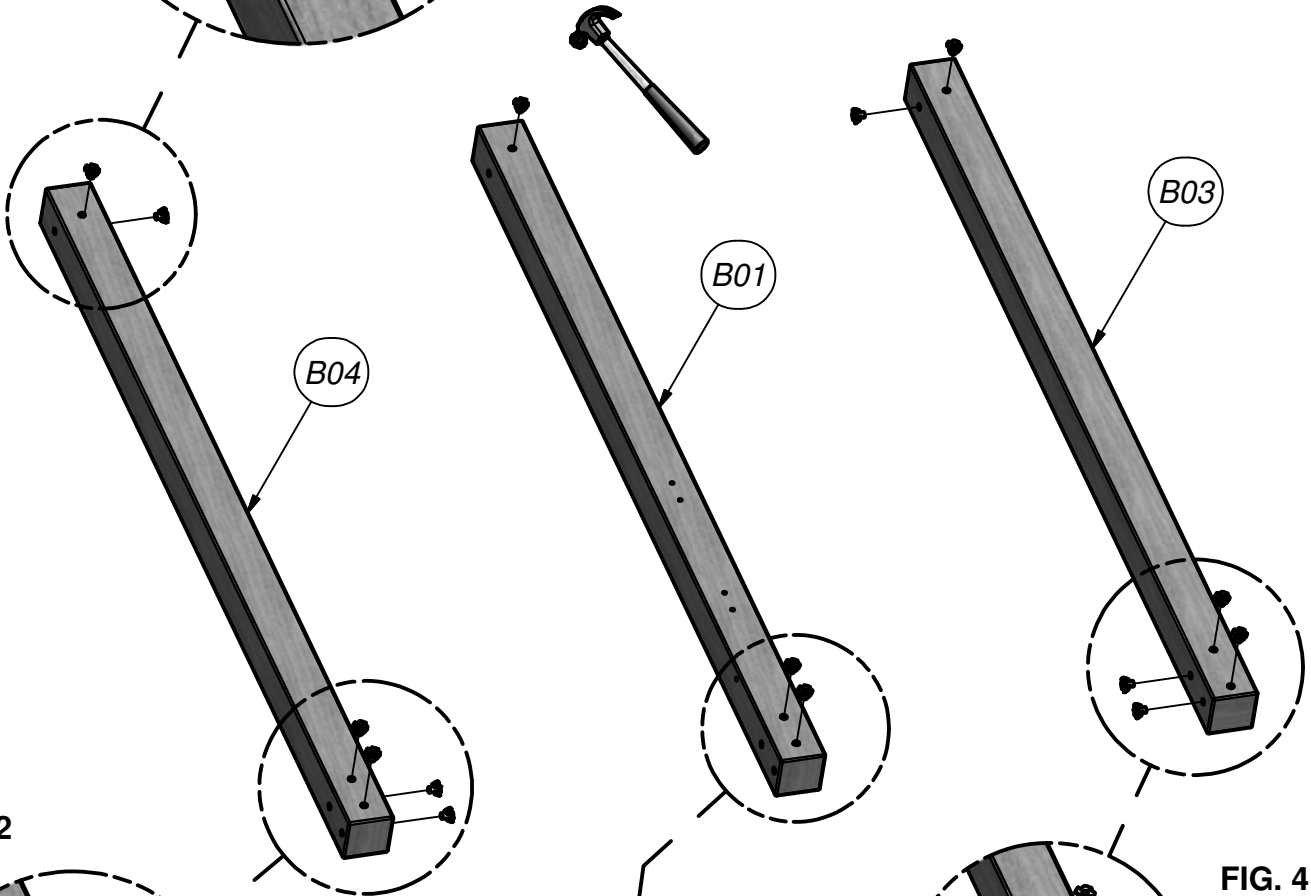


FIG. 2

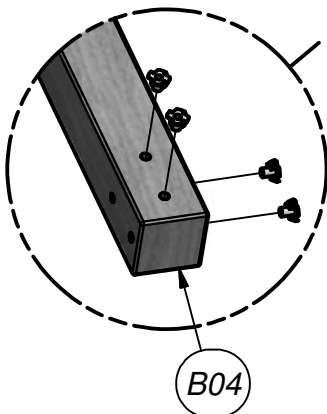


FIG. 3

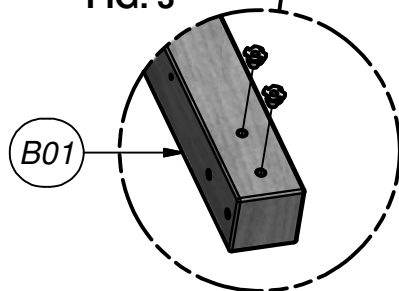
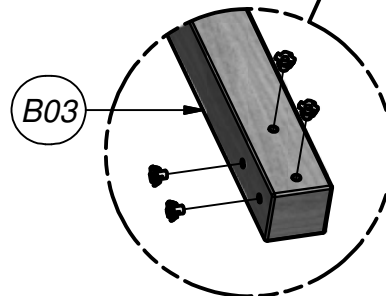
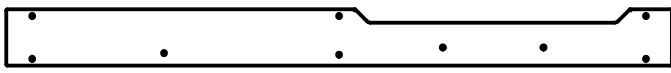


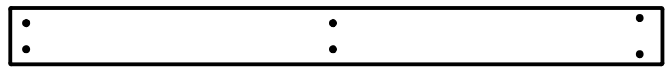
FIG. 4



**INTERIOR VIEW
(BACK UPRIGHTS)
LARGE FORT**



(1) G02 - DECK RAIL - W4L07888
1"x5 1/4"x62 1/2" (24x134x1586)



(1) K01 - GROUND BOARD - W4L07876
5/8"x5 1/4"x61 1/8" (16x134x1554)



(1) M07 - RAIL - W4L07886
5/8"x3 3/8"x61 1/8" (16x86x1554)

STEP 5

NOTE:
UPRIGHT ORIENTATION

FIG. 1

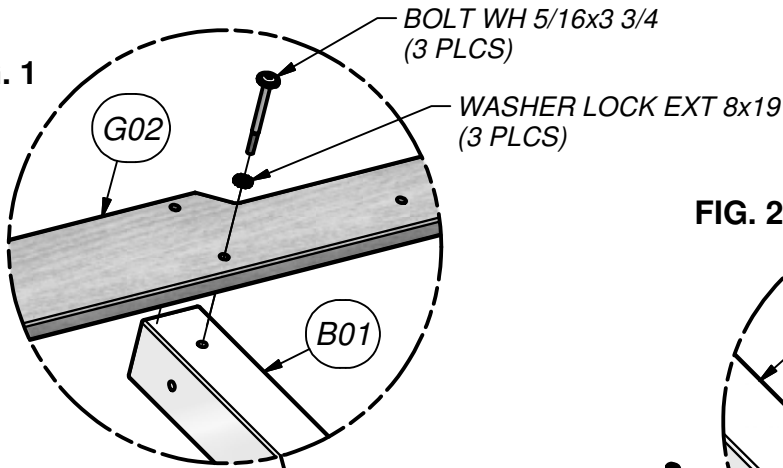


FIG. 2

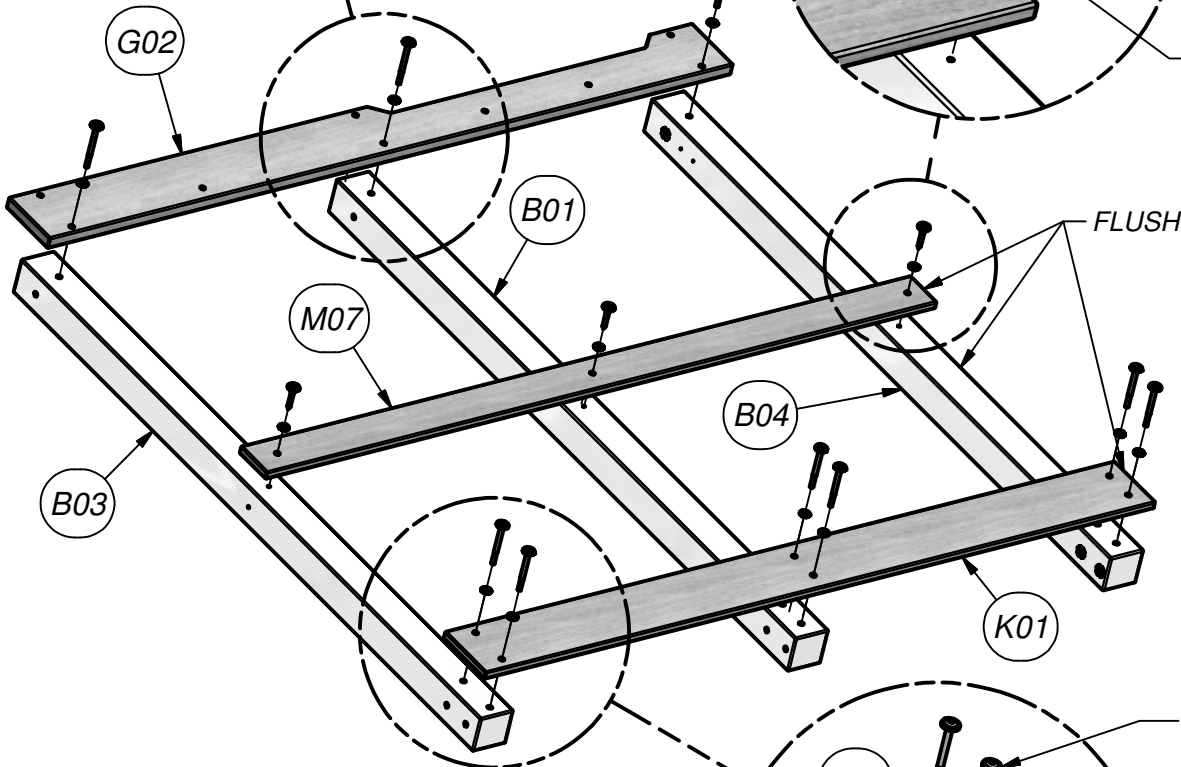
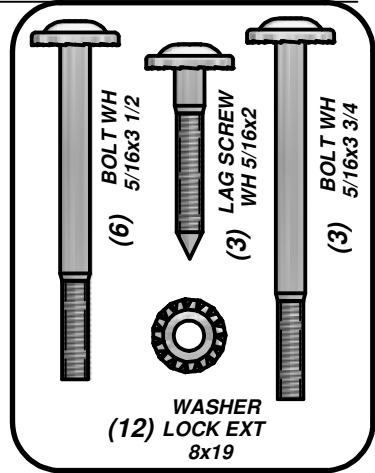
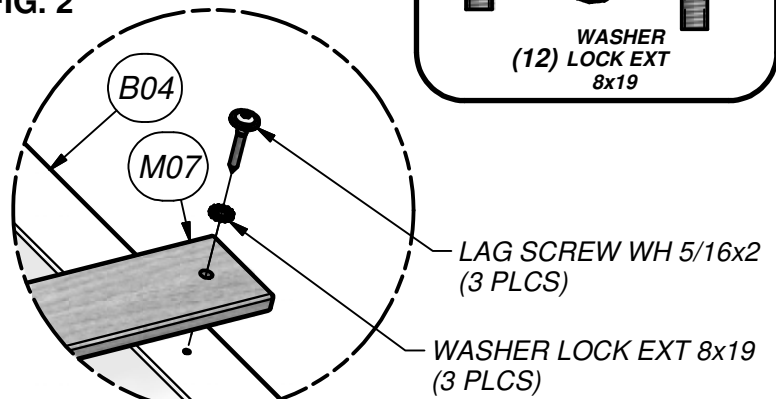
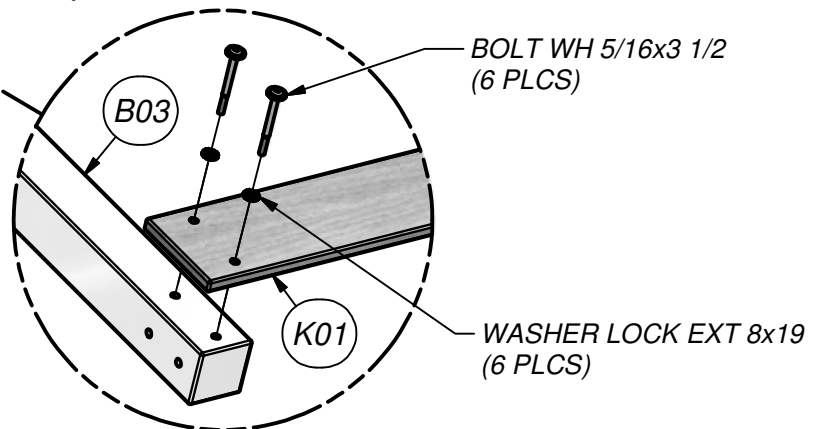
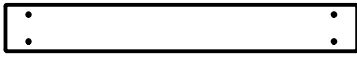


FIG. 3



EXTERIOR VIEW
(BACK WALL)
LARGE FORT



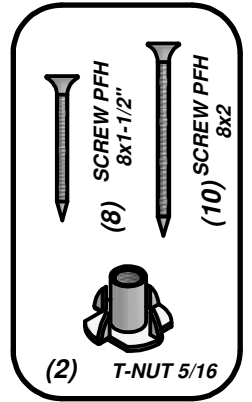
(2) H01 - FLOOR SUPPORT - W4L07878
1" x 3 3/8" x 25 5/8" (24x86x652)



(2) P1 - DECK SUPPORT - W4L07894
1 3/8" x 1 3/8" x 25 5/8" (36x36x650)



(2) H04 - BLOCK - W4L07881
1" x 3 3/8" x 3" (24x86x76)



STEP 6

NOTE:
INSERT T-NUTS FIRST

FIG. 1

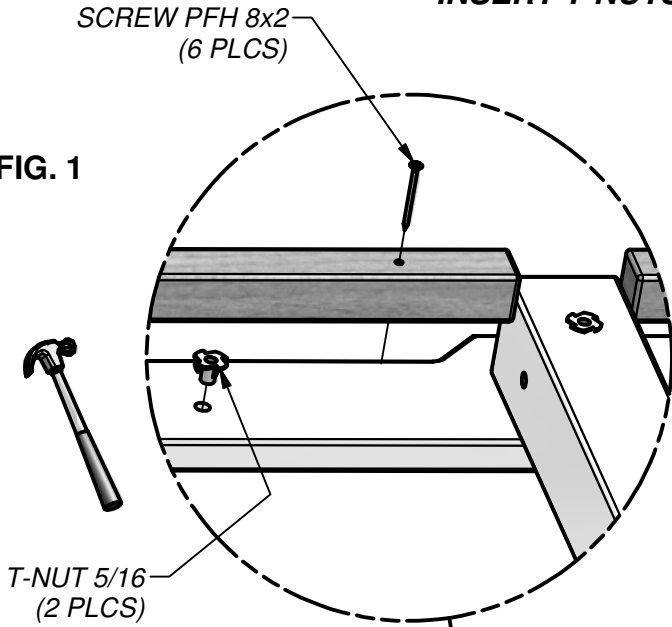
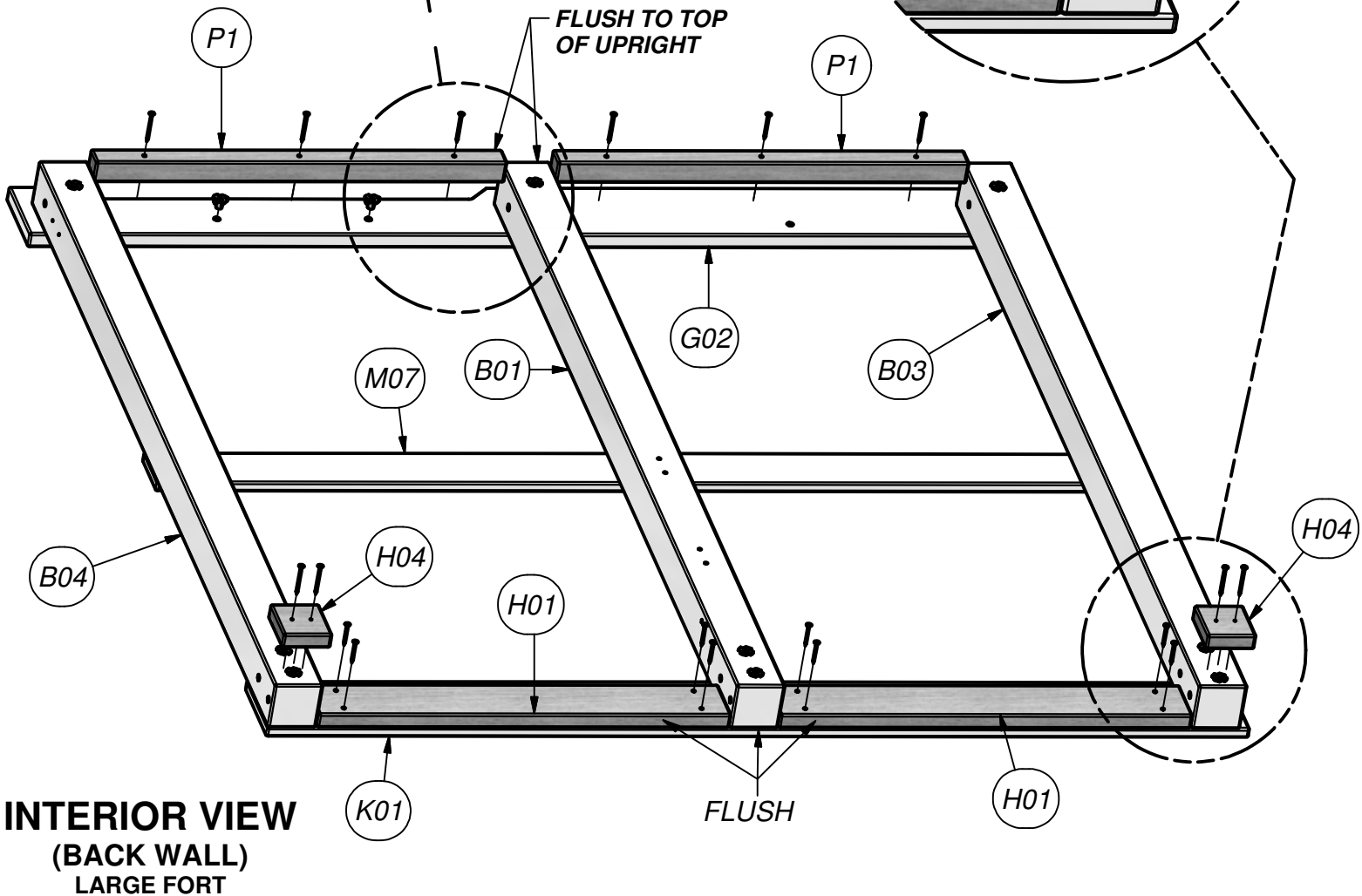
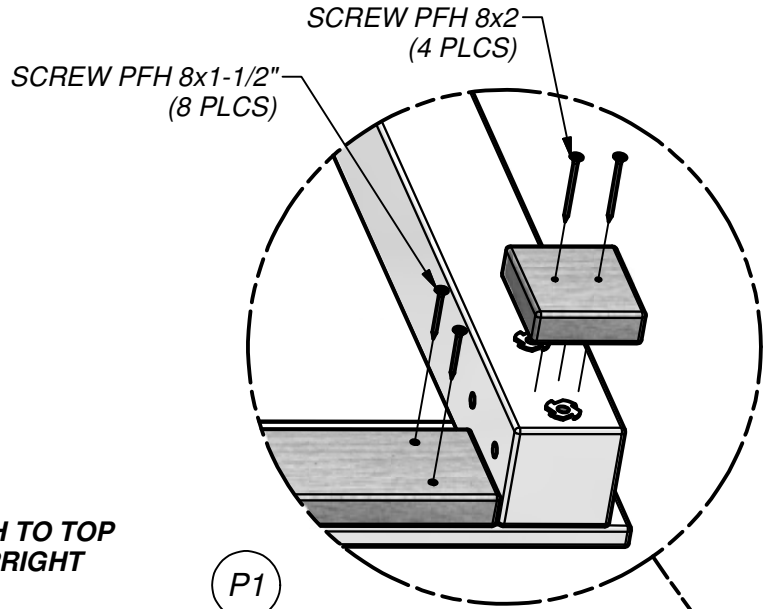
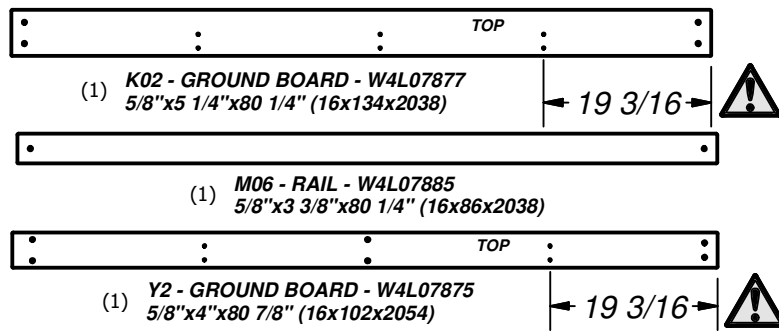
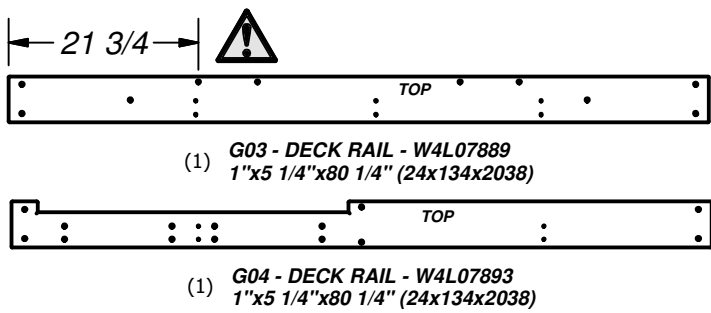


FIG. 2



INTERIOR VIEW
(BACK WALL)
LARGE FORT



STEP 7

FIG. 1

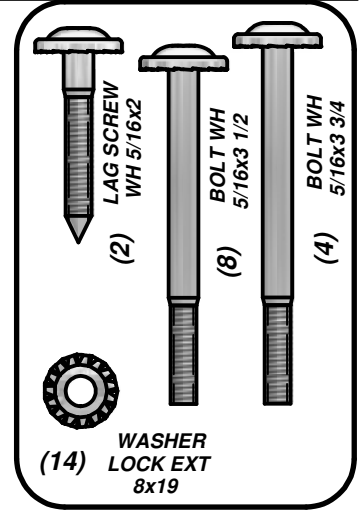
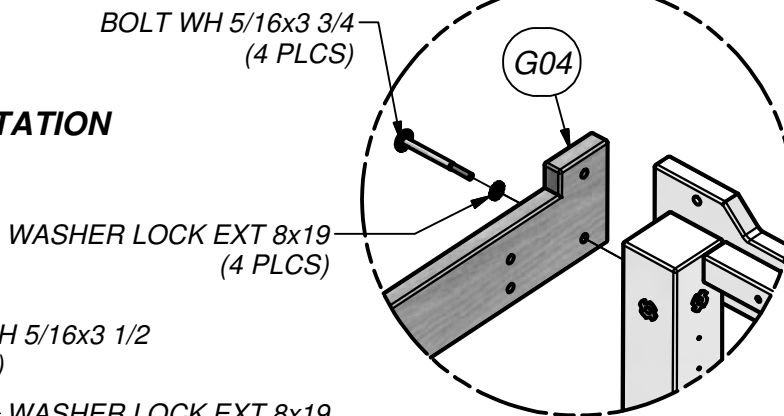


FIG. 2

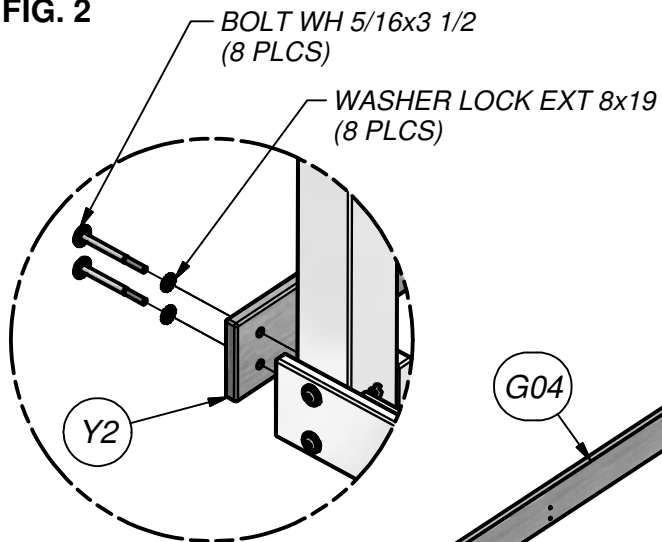
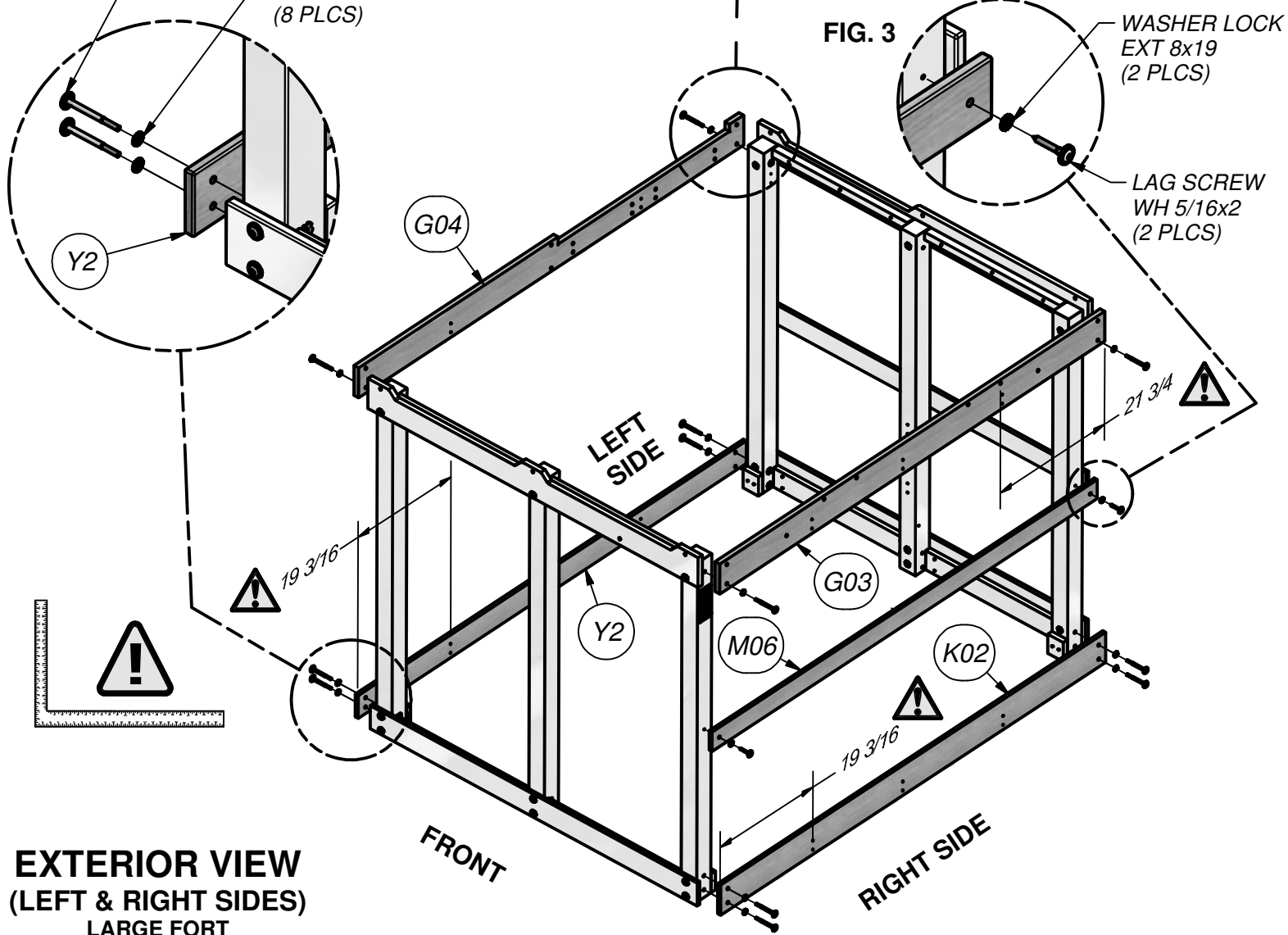
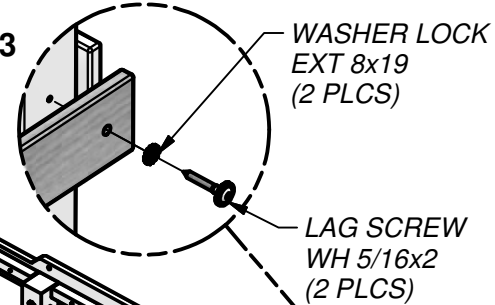


FIG. 3





(1) **B02 - UPRIGHT - W4L07871**
3"x3"x59" (76x76x1500)

STEP 8

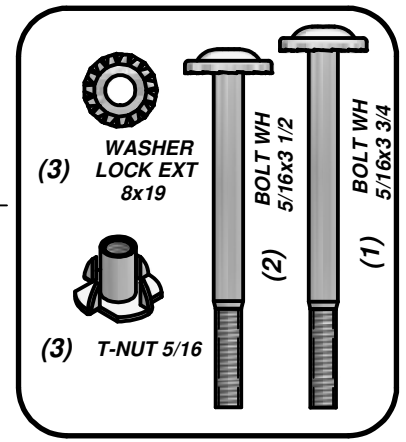
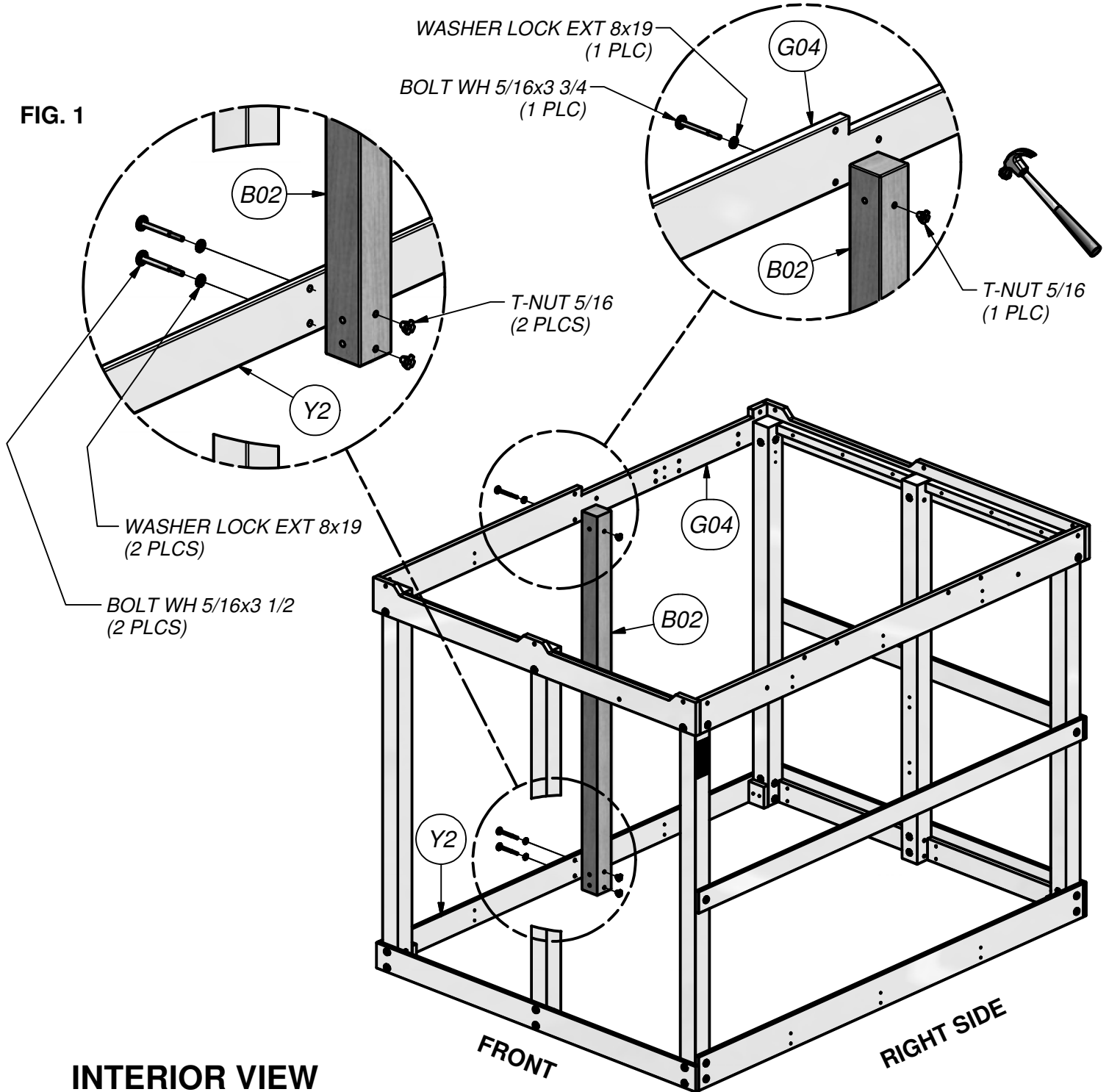
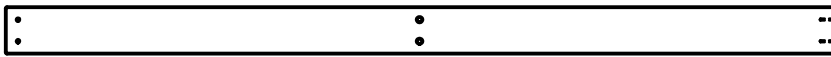


FIG. 2

FIG. 1



INTERIOR VIEW
(CENTER UPRIGHT - LEFT SIDE)
LARGE FORT



(1) H02 - JOIST - W4L07879
1"x3 3/8"x60 3/8" (24x86x1534)



(2) H03 - JOIST - W4L07880
1"x3 3/8"x60 1/2" (24x86x1536)



(1) H04 - BLOCK - W4L07881
1"x3 3/8"x3" (24x86x76)

STEP 9

FIG. 1

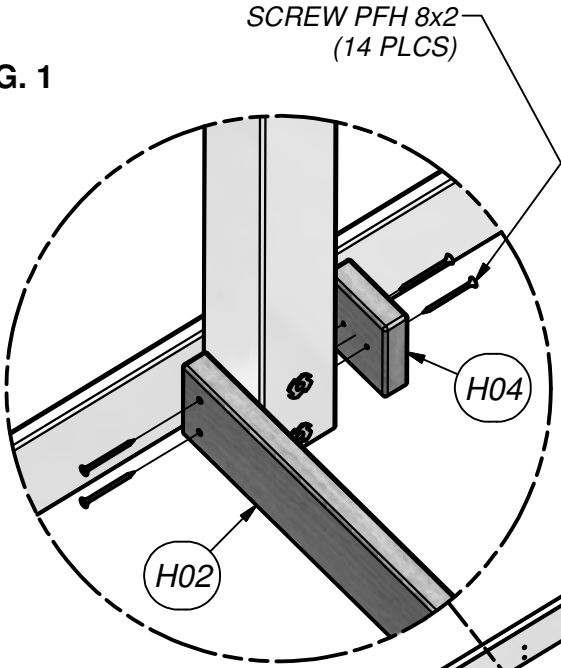
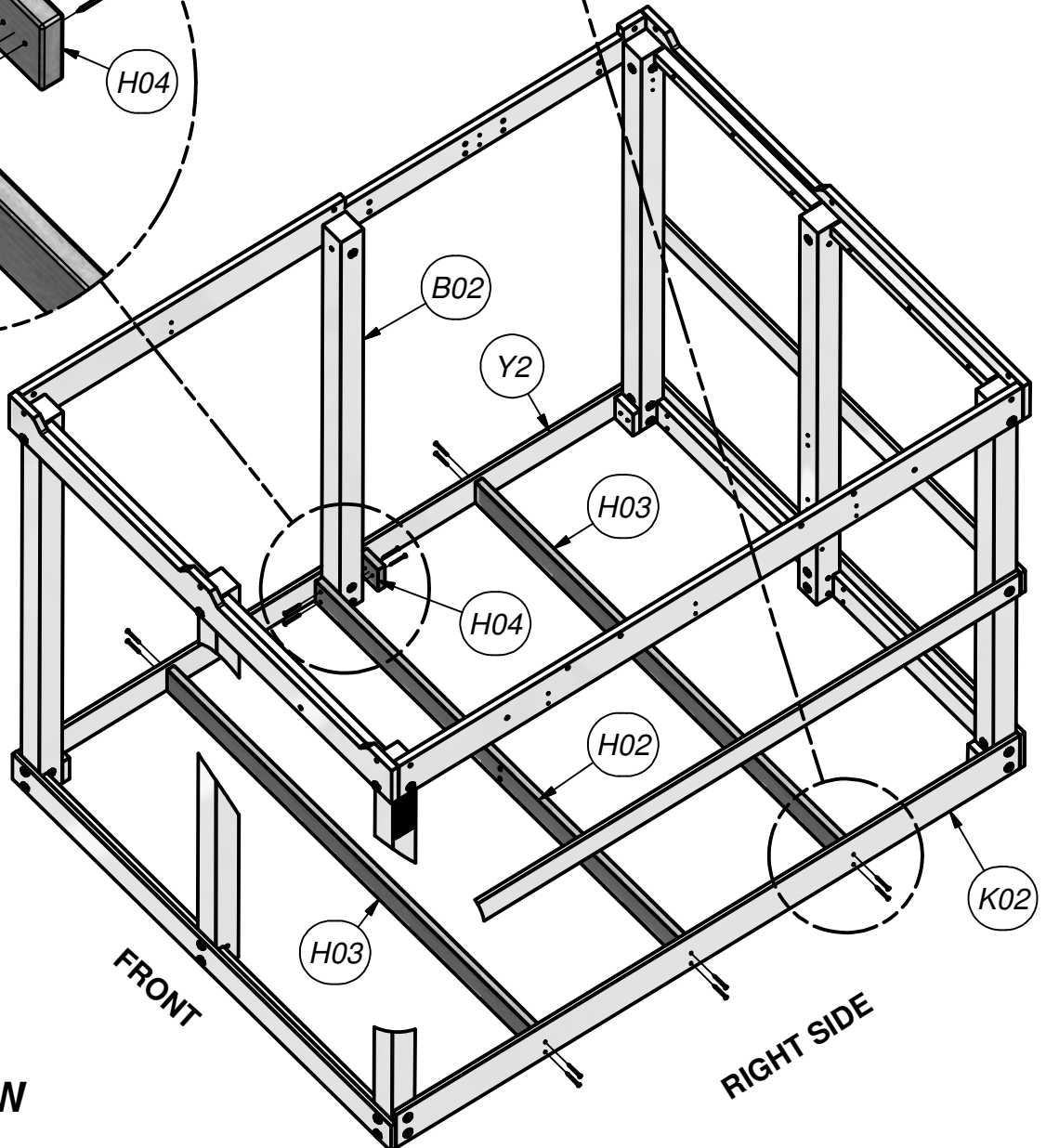
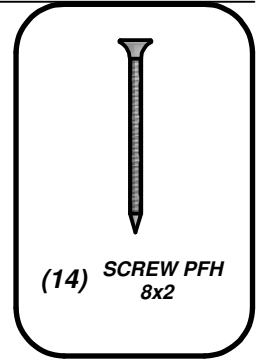
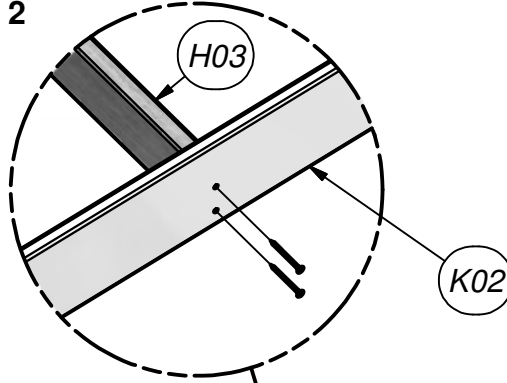


FIG. 2



**INTERIOR VIEW
(FLOOR JOISTS)
LARGE FORT**

(4) - GROUND STAKE REBAR - A4M00527

STEP 10

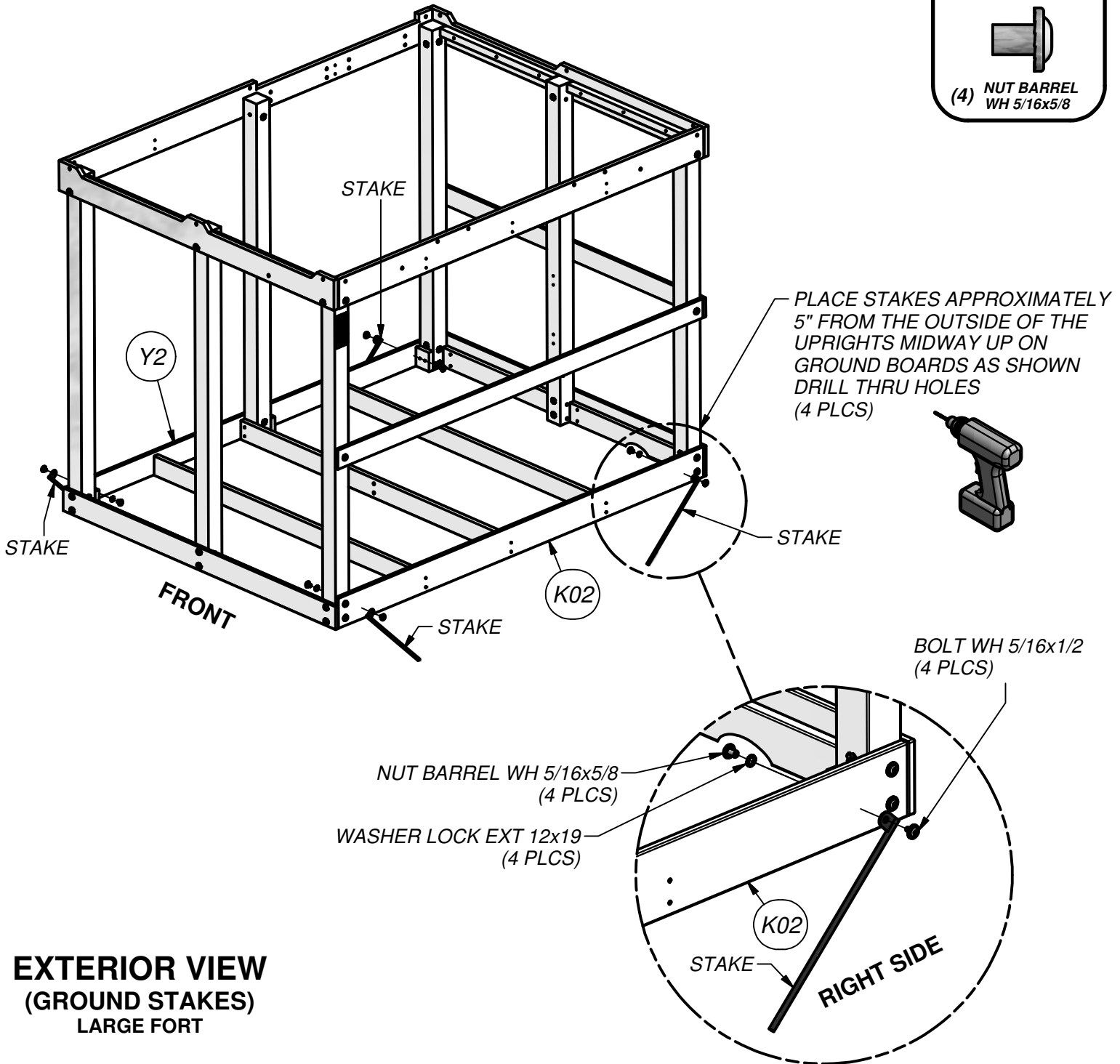
TAP IN GROUND STAKES AT AN APPROXIMATE 45° ANGLE AT THE LOCATIONS SHOWN. USING GROUND STAKES AS A GUIDE, DRILL 7/16" DIA HOLES.

**NOTE:
FAILURE TO USE GROUND STAKES CAN
VOID WARRANTY & CAUSE INJURY!**

(4) BOLT WH 5/16x1/2

(4) WASHER LOCK EXT 12x19

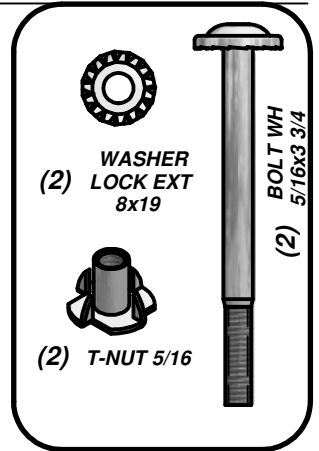
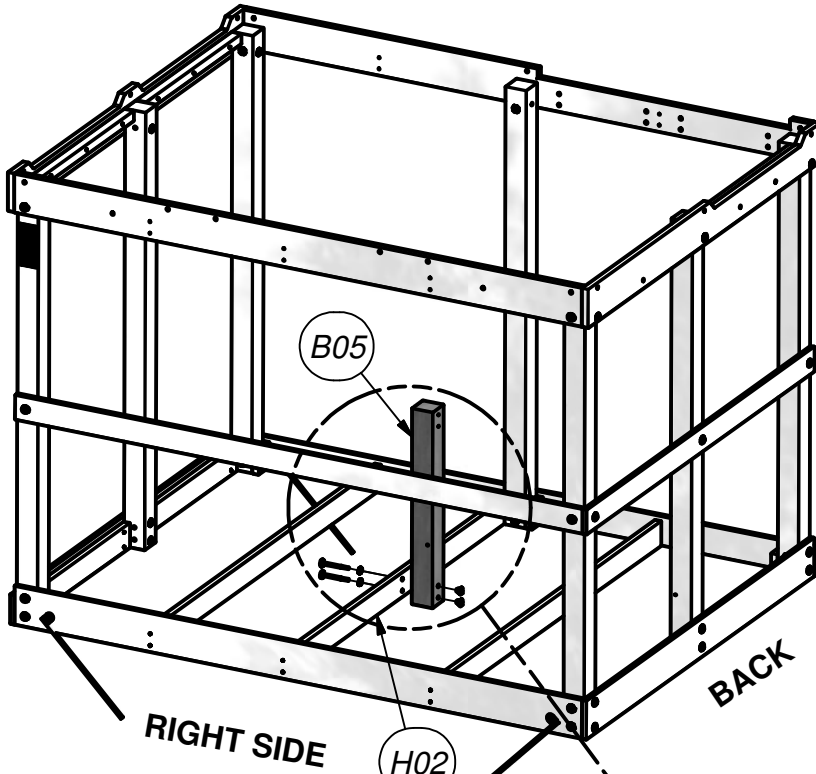
(4) NUT BARREL WH 5/16x5/8



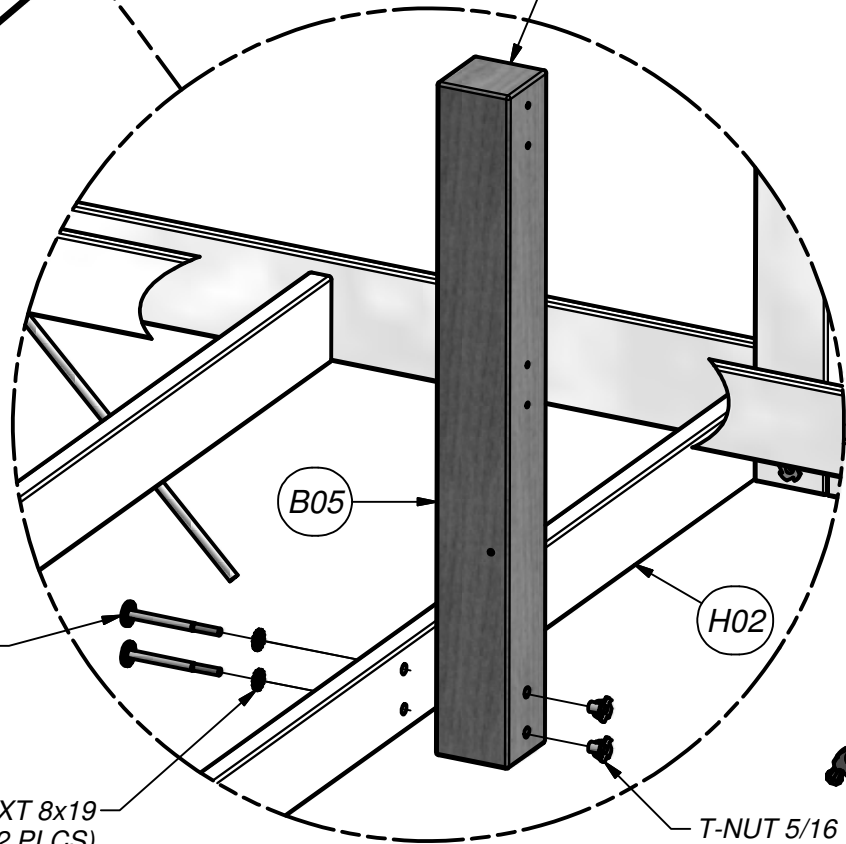


(1) **B05 - UPRIGHT - W4L07872**
3"x3"x26 1/2" (76x76x672)

STEP 11



NOTE:
UPRIGHT ORIENTATION



BOLT WH 5/16x3 3/4
(2 PLCS)

WASHER LOCK EXT 8x19
(2 PLCS)

T-NUT 5/16
(2 PLCS)

INTERIOR VIEW
(PICNIC UPRIGHT)
LARGE FORT



(1) M03 - FLOOR BOARD - W4L07884
5/8"x3"x35 5/8" (16x76x904)

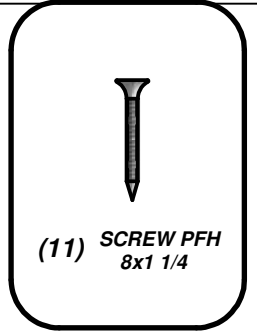


(1) M17 - FLOOR BOARD - W4L07883
5/8"x3"x35 5/8" (16x76x904)



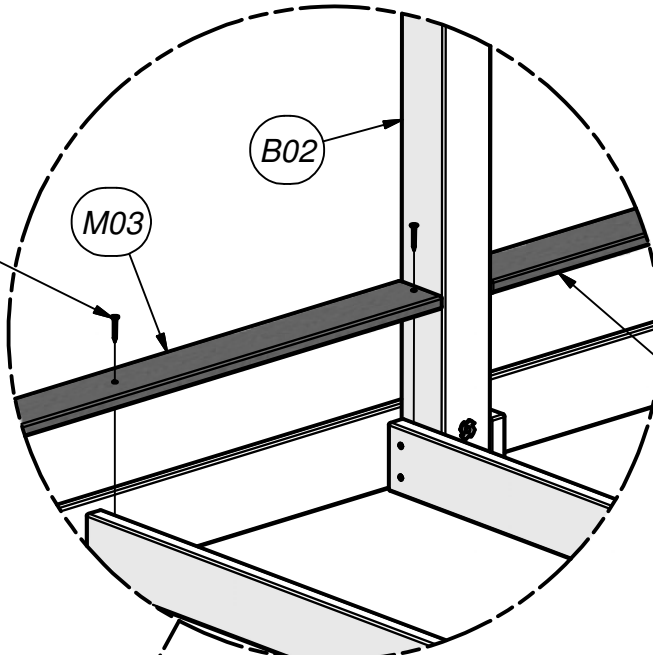
(1) M16 - FLOOR BOARD - W4L07882
5/8"x3"x74 1/4" (16x76x1886)

STEP 12



(11) SCREW PFH
8x1 1/4

SCREW PFH 8x1 1/4
(6 PLCS)



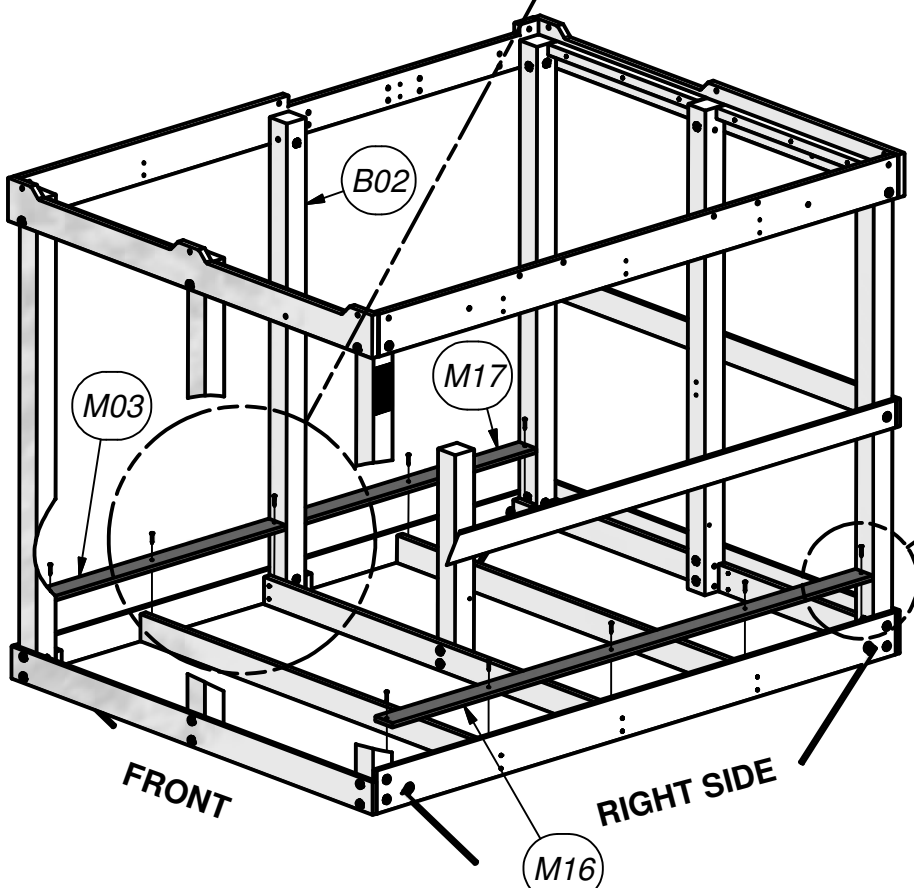
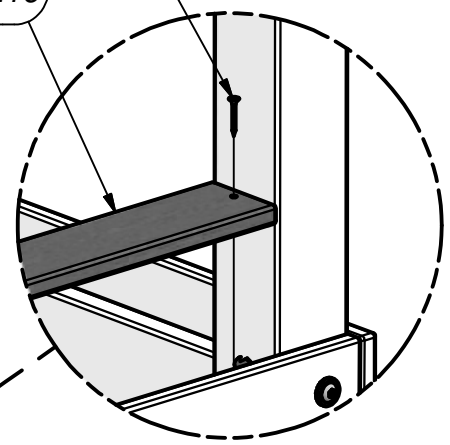
B02

M03

M17

SCREW PFH 8x1 1/4
(5 PLCS)

M16

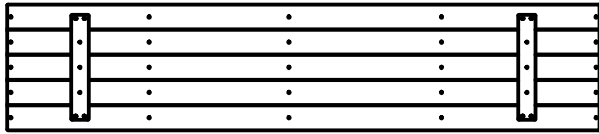


FRONT

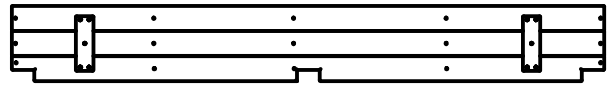
RIGHT SIDE

M16

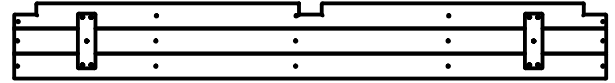
**INTERIOR VIEW
(OUTER FLOOR BOARDS)
LARGE FORT**



(2) FP1 - FLOOR PANEL - W2A02190
1 1/4" x 17" x 80 1/4" (32 x 432 x 2038)

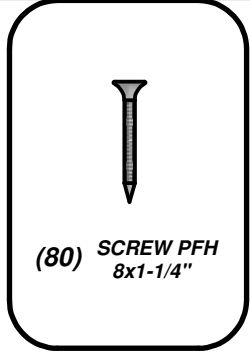
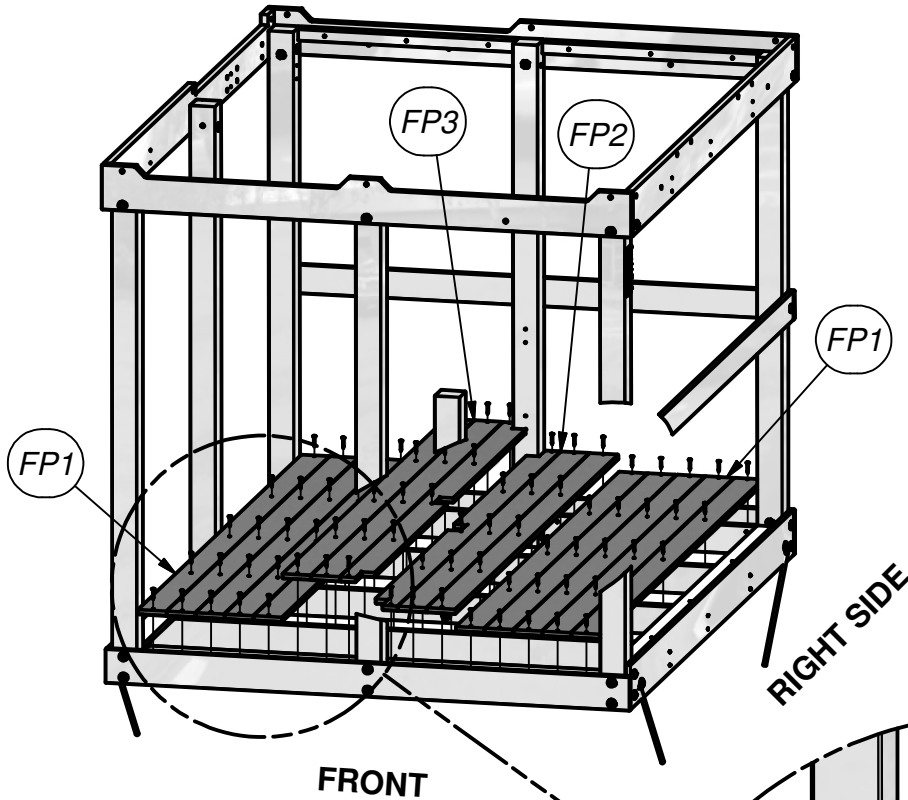


(1) FP2 - FLOOR PANEL - W2A02191
3 3/8" x 3 3/8" x 49 3/8" (86 x 86 x 1254)



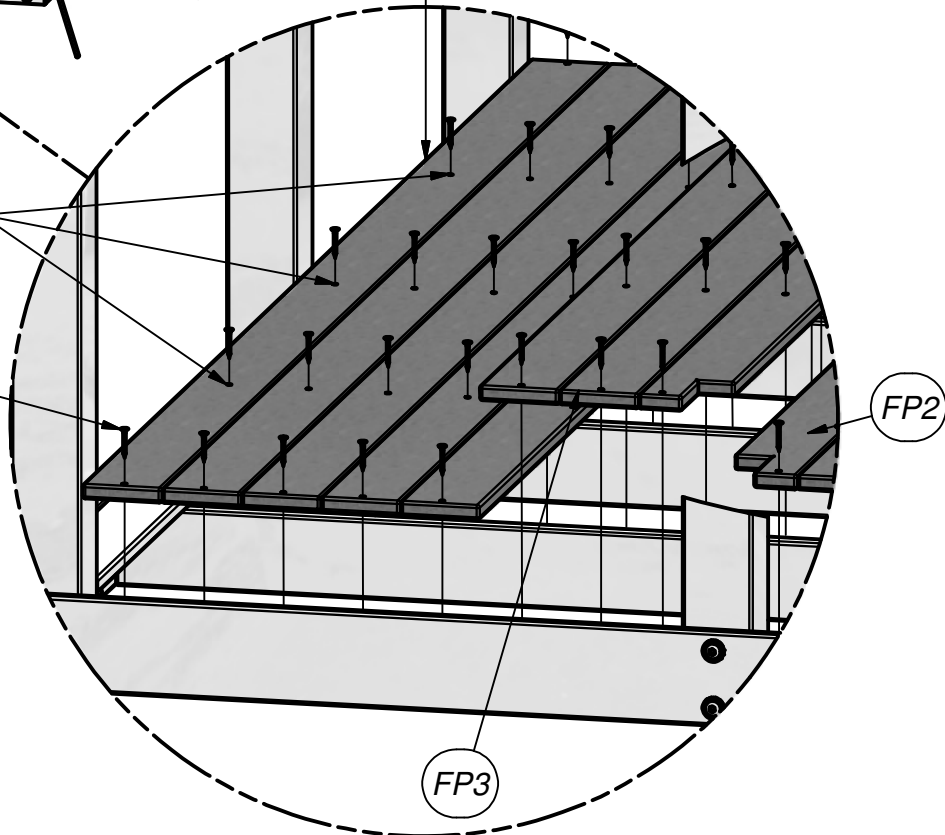
(1) FP3 - FLOOR PANEL - W2A02192
3 3/8" x 3 3/8" x 49 3/8" (86 x 86 x 1254)

STEP 13



**BE SURE THAT THE HOLES
IN THE FLOOR PANELS ALIGN
WITH THE FLOOR JOISTS.**

SCREW PFH 8x1-1/4"
(80 PLCS)



**INTERIOR VIEW
(FLOOR PANELS)
LARGE FORT**

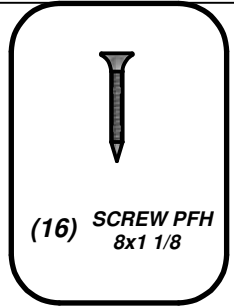
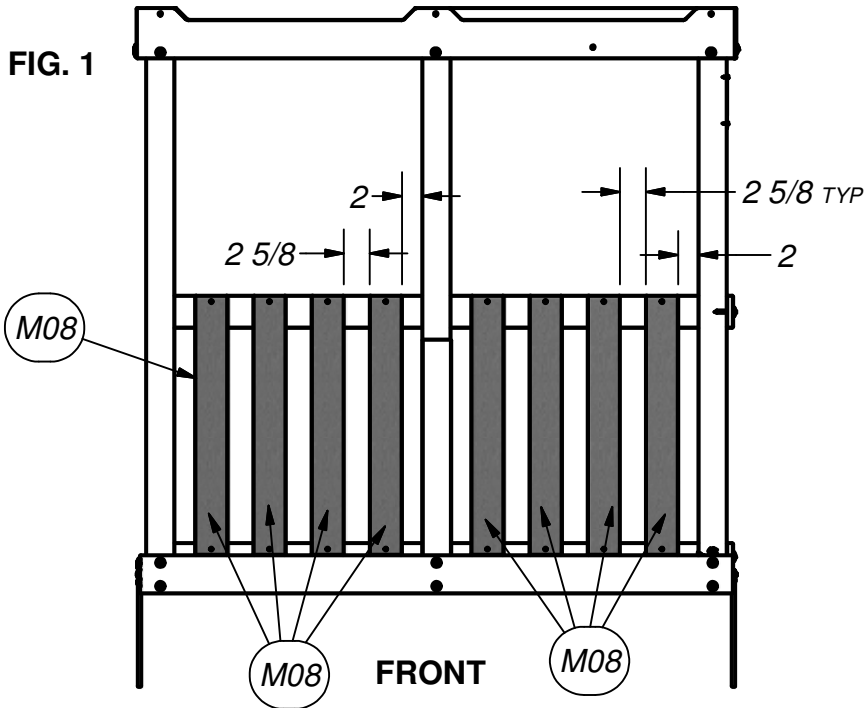


(8) M08 - PICKET - W4L07887
5/8"x3 3/8"x27" (16x86x686)

STEP 14

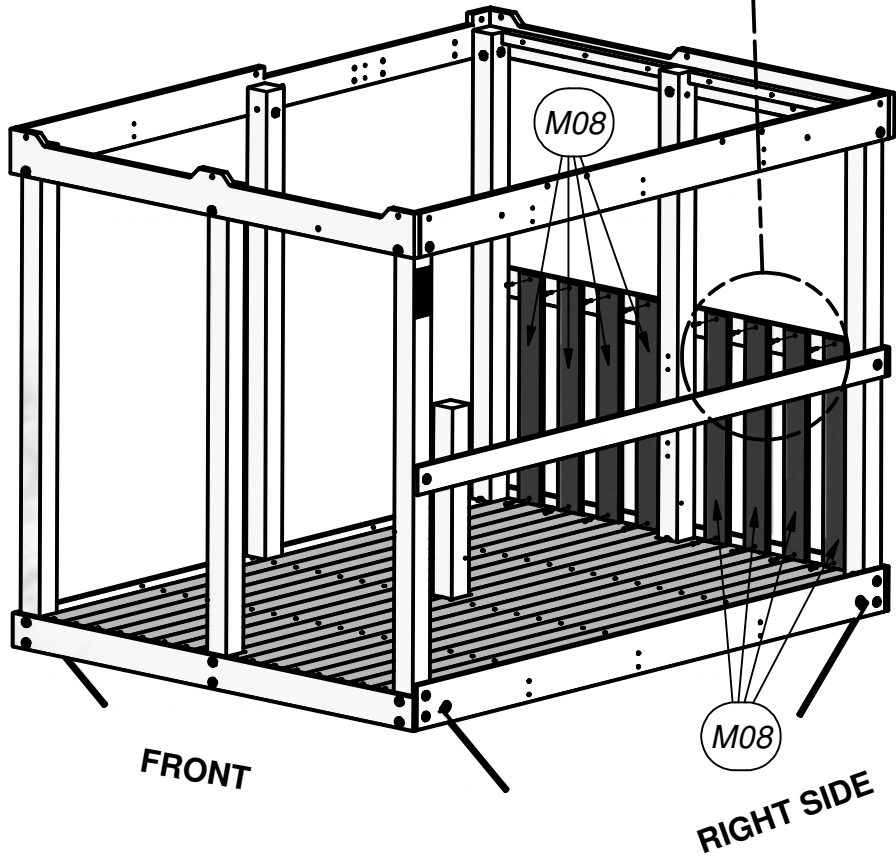
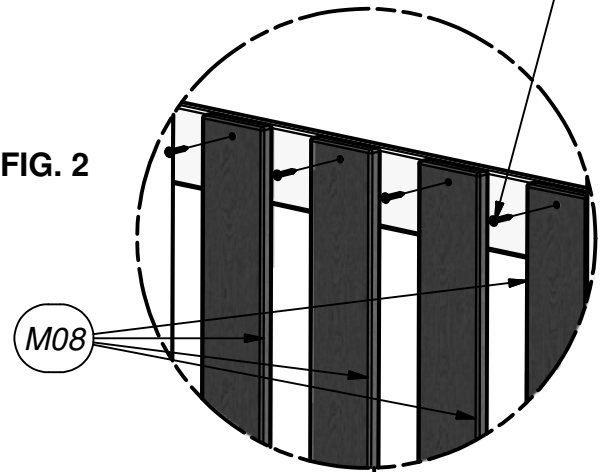
PICKET DIAGRAM

FIG. 1



SCREW PFH 8x1 1/8
(16 PLCS)

FIG. 2



**INTERIOR VIEW
(BACK WALL)
LARGE FORT**



(12) M08 - PICKET - W4L07887
5/8"x3 3/8"x27" (16x86x686)

STEP 15

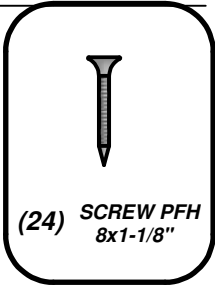


FIG. 1

PICKET DIAGRAM

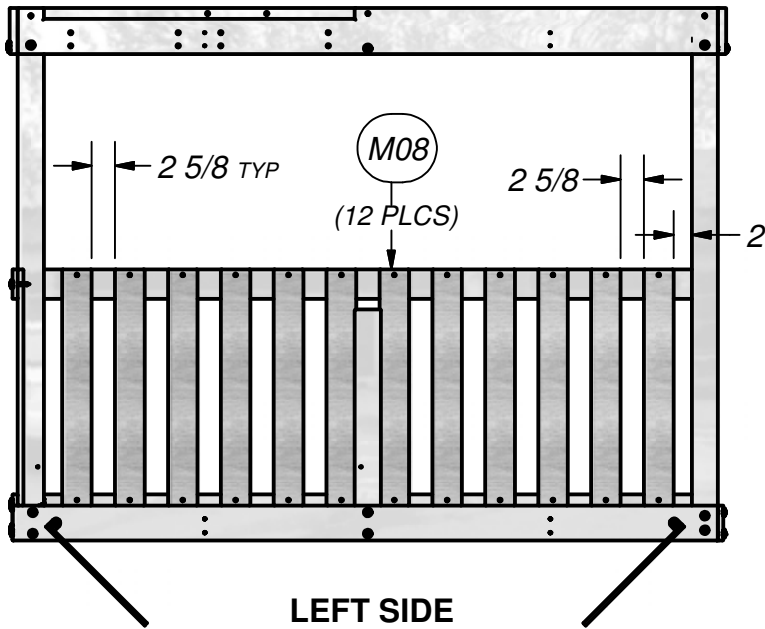
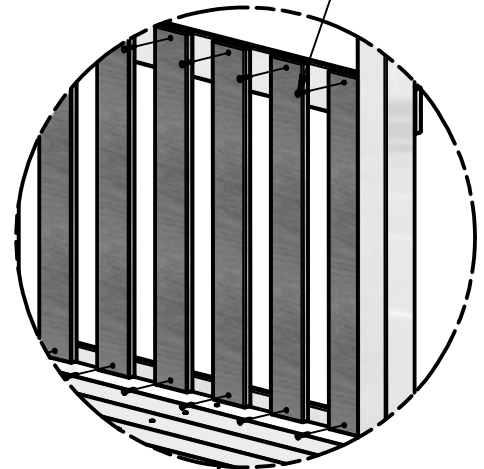
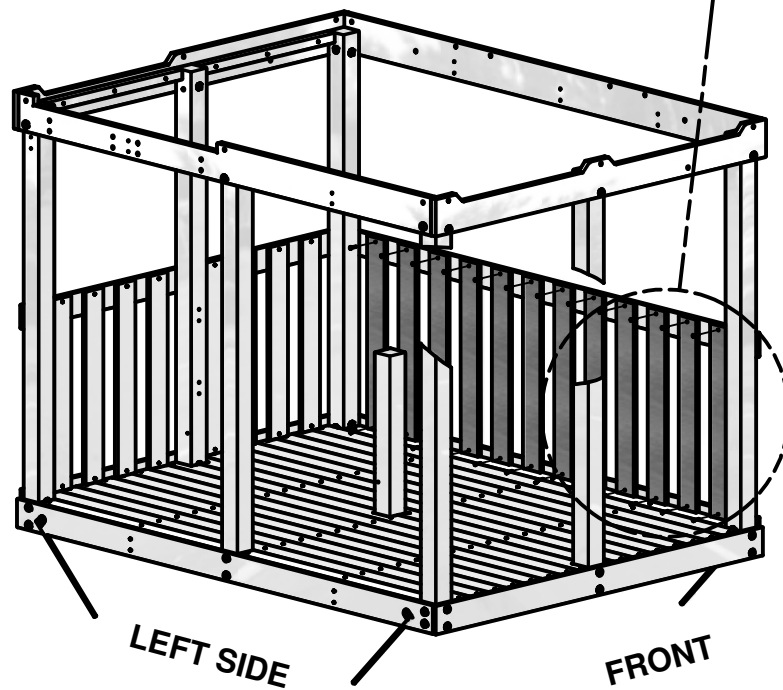


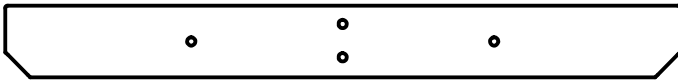
FIG. 2

SCREW PFH 8x1-1/8"
(24 PLCS)



INTERIOR VIEW
(RIGHT WALL)
LARGE FORT

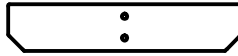




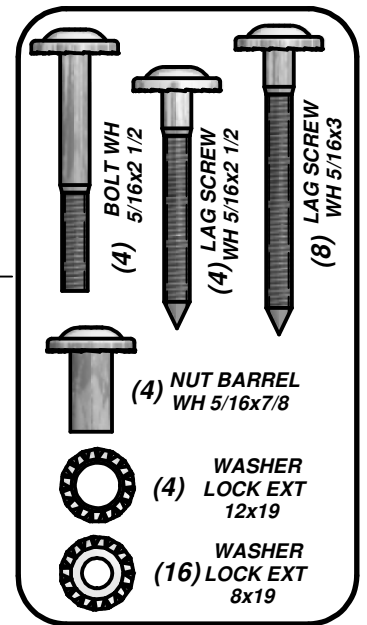
(2) E09 - BENCH SUPPORT - W4L07899
1 3/8"x3 3/8"x32" (36x86x812)



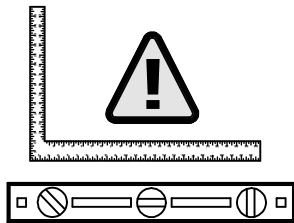
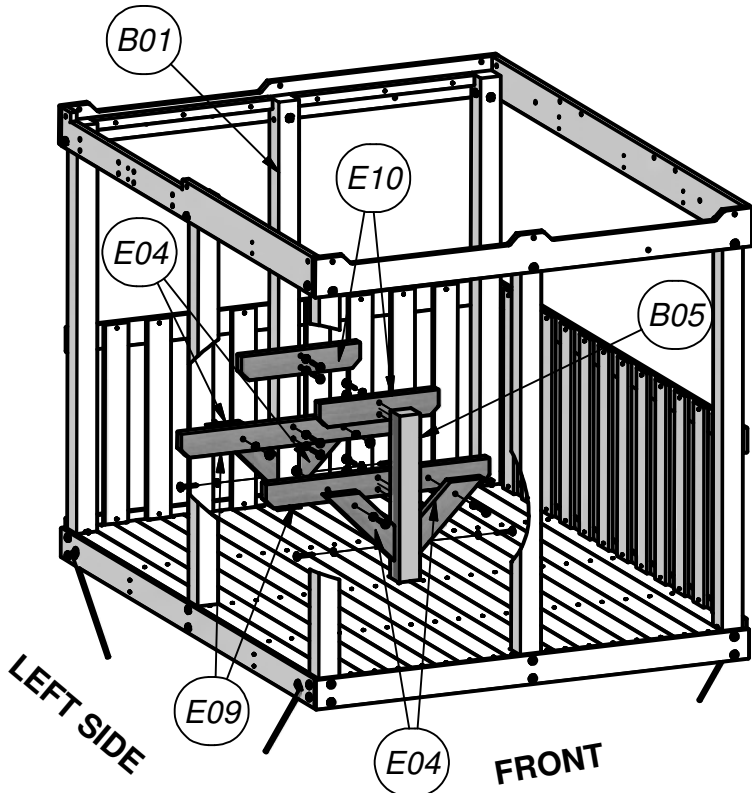
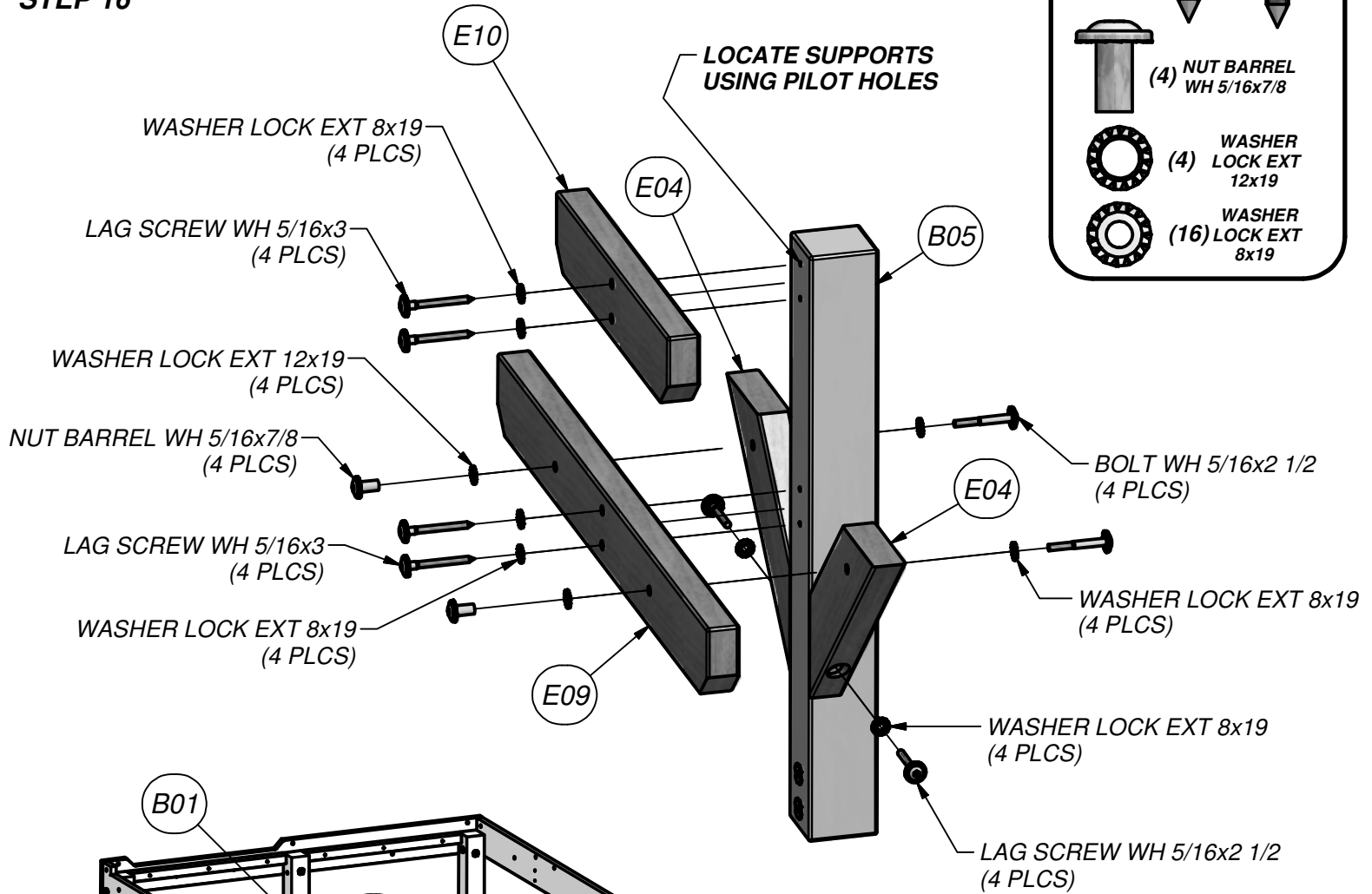
(4) E04 - GUSSET - W4L07898
1 3/8"x3 3/8"x13 3/4" (36x86x350)



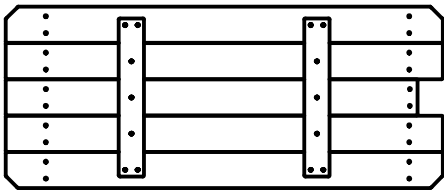
(2) E10 - TABLE SUPPORT - W4L07900
1 3/8"x3 3/8"x17" (36x86x432)



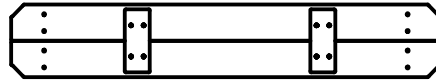
STEP 16



INTERIOR VIEW
(PICNIC TABLE & BENCHES SUPPORTS)
LARGE FORT

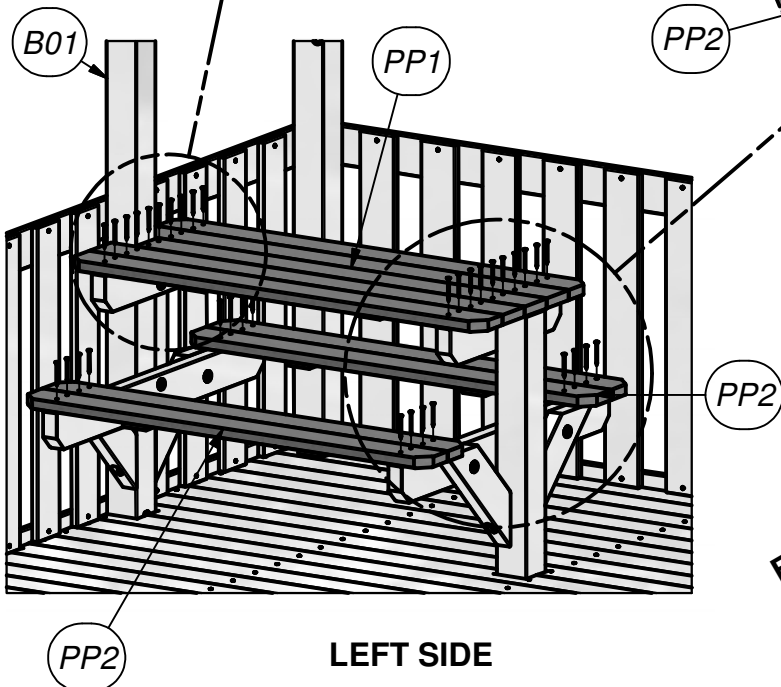
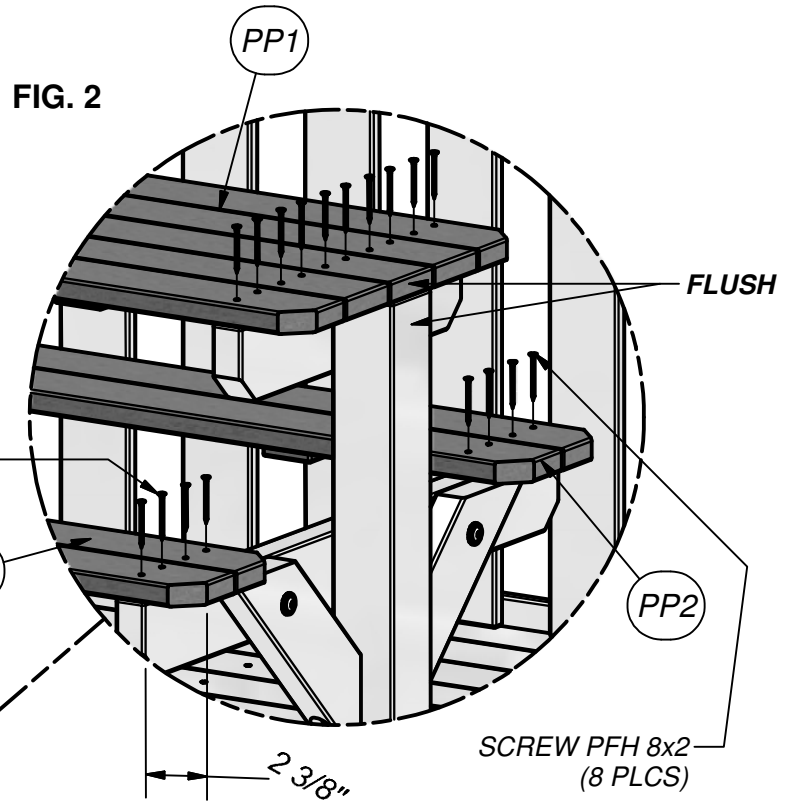
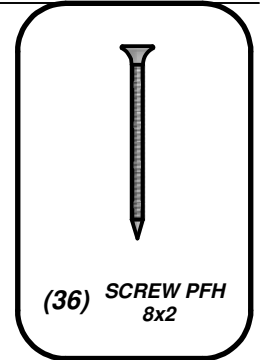
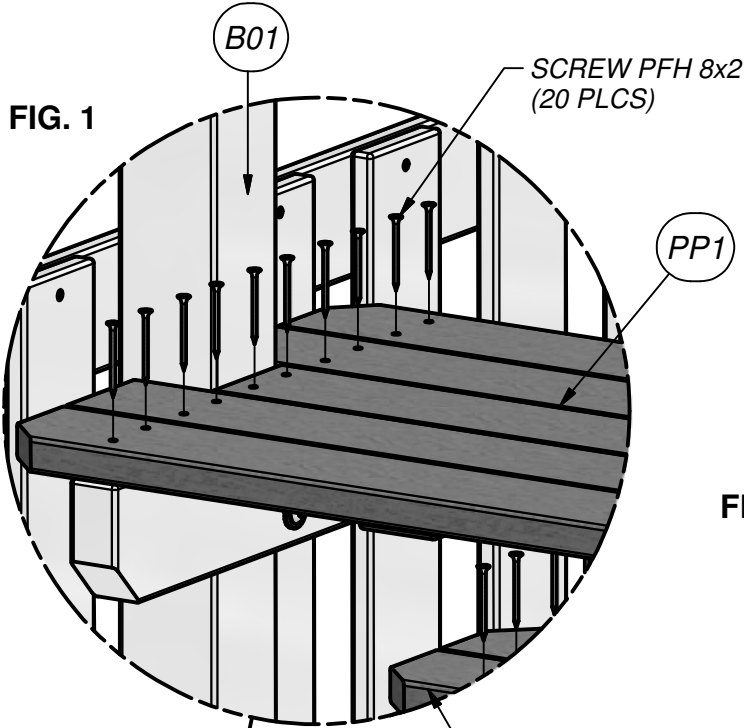


(1) PP1 - PICNIC BENCH - W2A02193
1 5/8"x6 3/4"x40 1/4" (40x432x1042)



(2) PP2 - PICNIC BENCH - W2A02194
1 5/8"x6 3/4"x40 1/4" (40x173x1022)

STEP 17



FRONT

**INTERIOR VIEW
(PICNIC TABLE & BENCHES)
LARGE FORT**



(2) H03 - JOIST - W4L07880
1"x3 3/8"x60 1/2" (24x86x1536)



(1) H15 - JOIST - W4L07895
1"x3 3/8"x60 1/2" (24x86x1536)

STEP 18

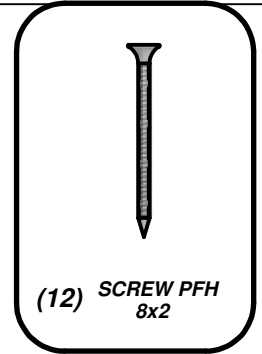


FIG. 1

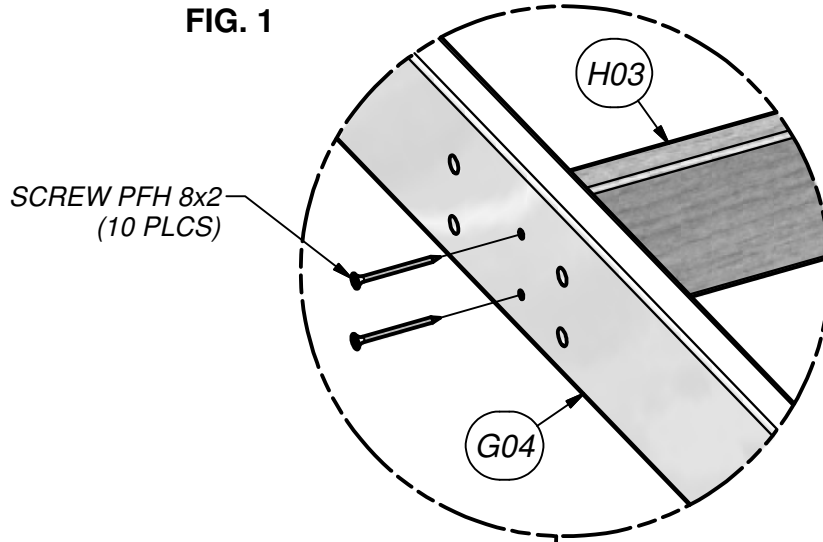
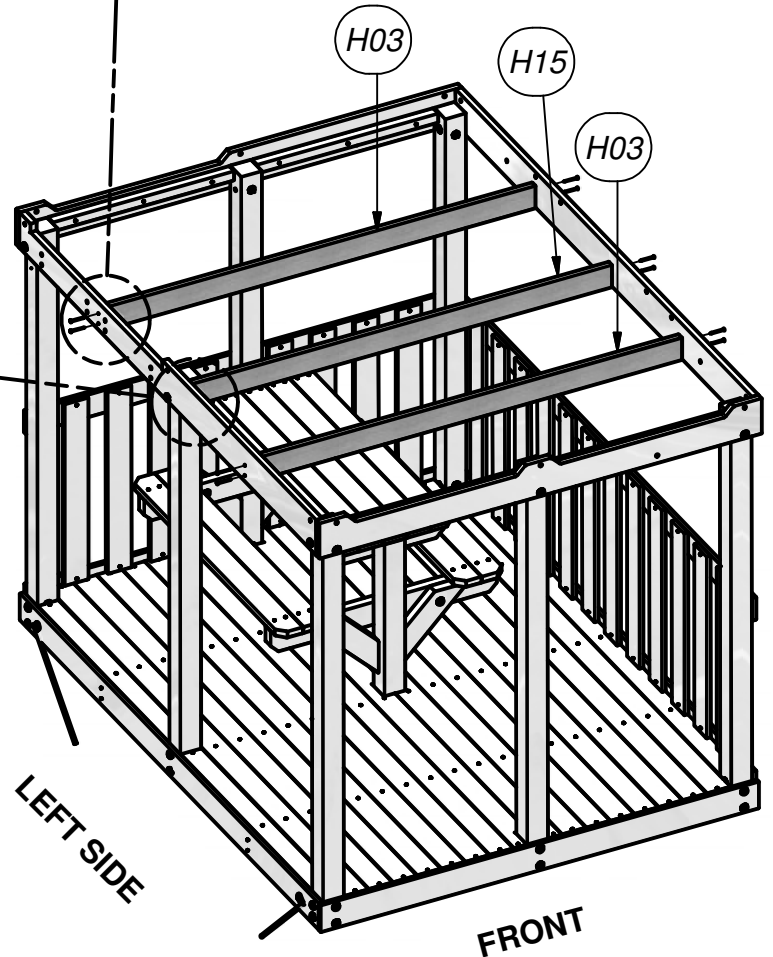
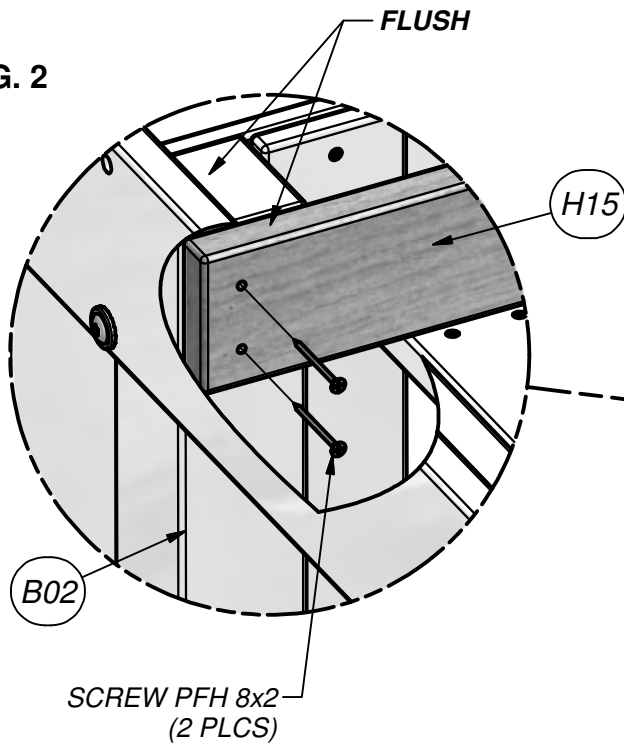
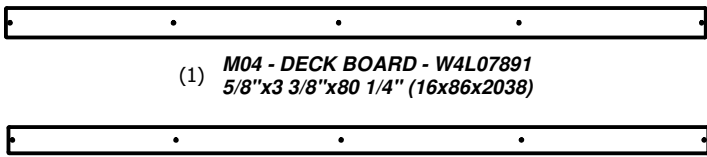


FIG. 2



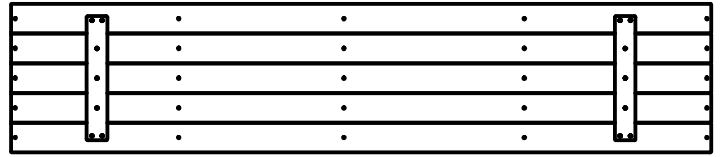
INTERIOR VIEW
(OVERHEAD - DECK FLOOR JOISTS)
LARGE FORT



(1) **M04 - DECK BOARD - W4L07891**
5/8"x3 3/8"x80 1/4" (16x86x2038)



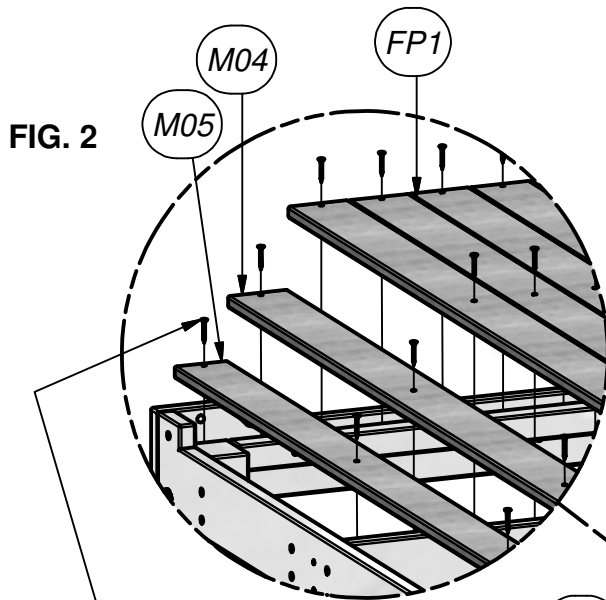
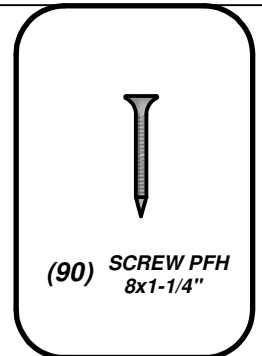
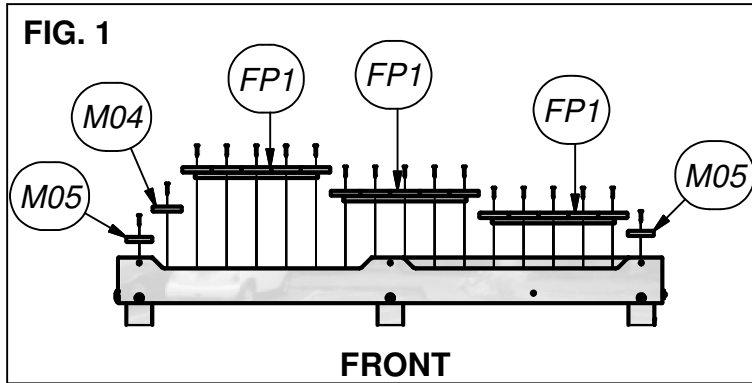
(2) **M05 - DECK BOARD - W4L07890**
5/8"x3"x80 1/4" (16x76x2038)



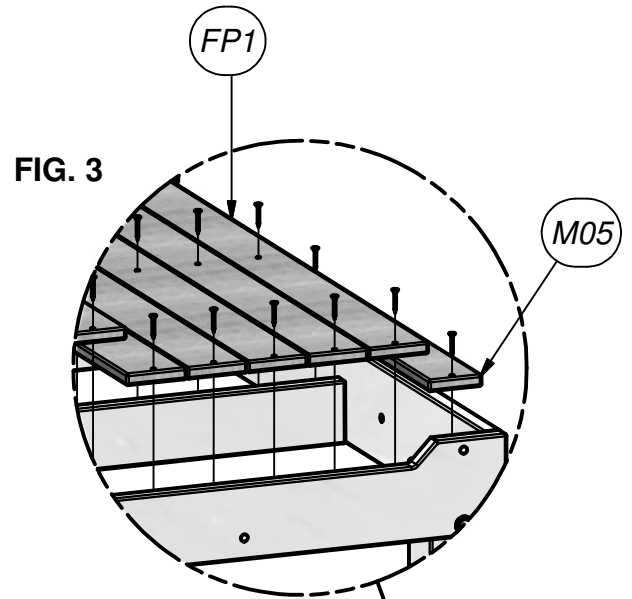
(3) **FP1 - FLOOR PANEL - W2A02190**
1 1/4"x17"x80 1/4" (32x432x2038)

STEP 19

DECK FLOOR LAYOUT

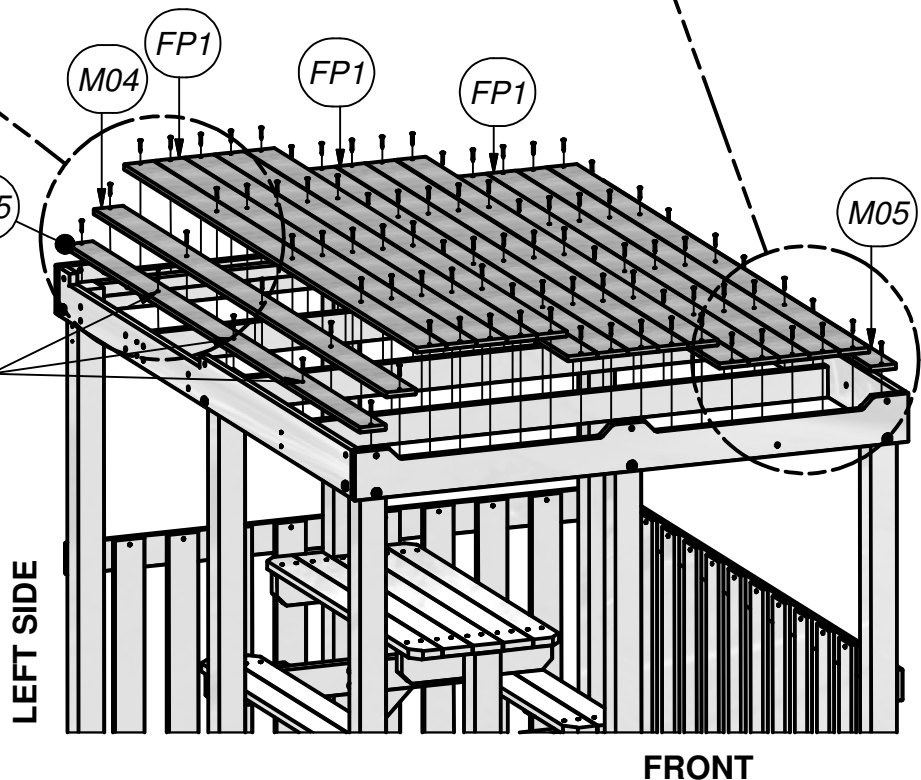


SCREW PFH 8x1-1/4"
(90 PLCS)



BE SURE THAT THE HOLES IN THE FLOOR BOARDS & PANELS ALIGN WITH THE FLOOR JOISTS.

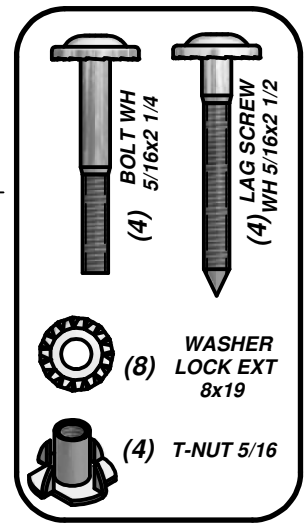
INTERIOR VIEW
(OVERHEAD - DECK)
LARGE FORT





(4) E01 - GUSSET - W4L07897
1 3/8"x3 3/8"x20" (36x86x508)

STEP 20



BACK RIGHT CORNER

FIG. 1

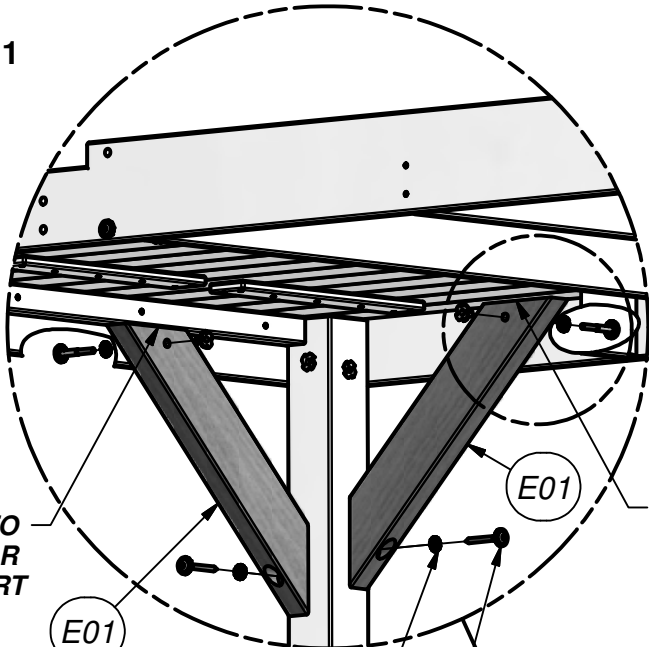
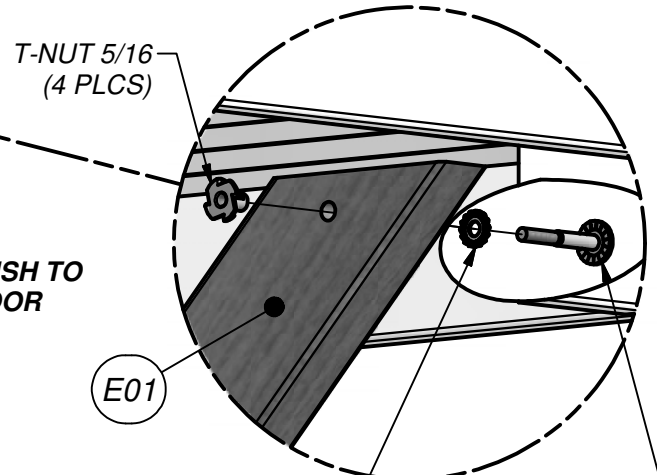


FIG. 2



FLUSH TO FLOOR SUPPORT

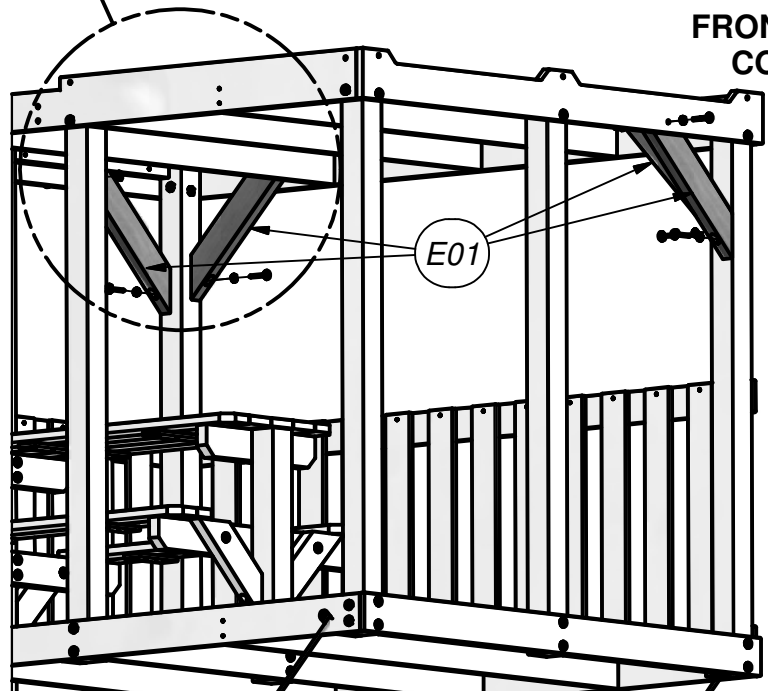
WASHER LOCK EXT 8x19
(4 PLCS)

LAG SCREW WH 5/16x2 1/2
(4 PLCS)

WASHER LOCK EXT 8x19
(4 PLCS)

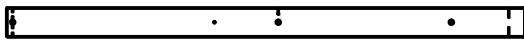
BOLT WH 5/16x2 1/4
(4 PLCS)

FRONT RIGHT CORNER

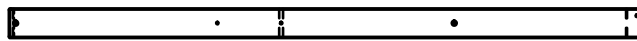


LEFT SIDE

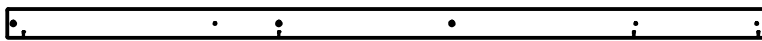
INTERIOR VIEW
(GUSSETS - RIGHT SIDE)
LARGE FORT



(1) B06 - UPRIGHT - W4L07901
3"x3"x54" (76x76x1372)



(1) B09 - UPRIGHT - W4L07903
3"x3"x66" (76x76x1676)



(1) B08 - UPRIGHT - W4L07902
3"x3"x79" (76x76x2006)

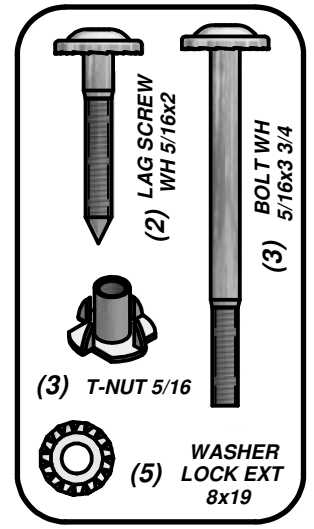


FIG. 3

STEP 21

NOTE:
UPRIGHT ORIENTATION

NOTE HOLE LOCATION FOR PROPER ORIENTATION.

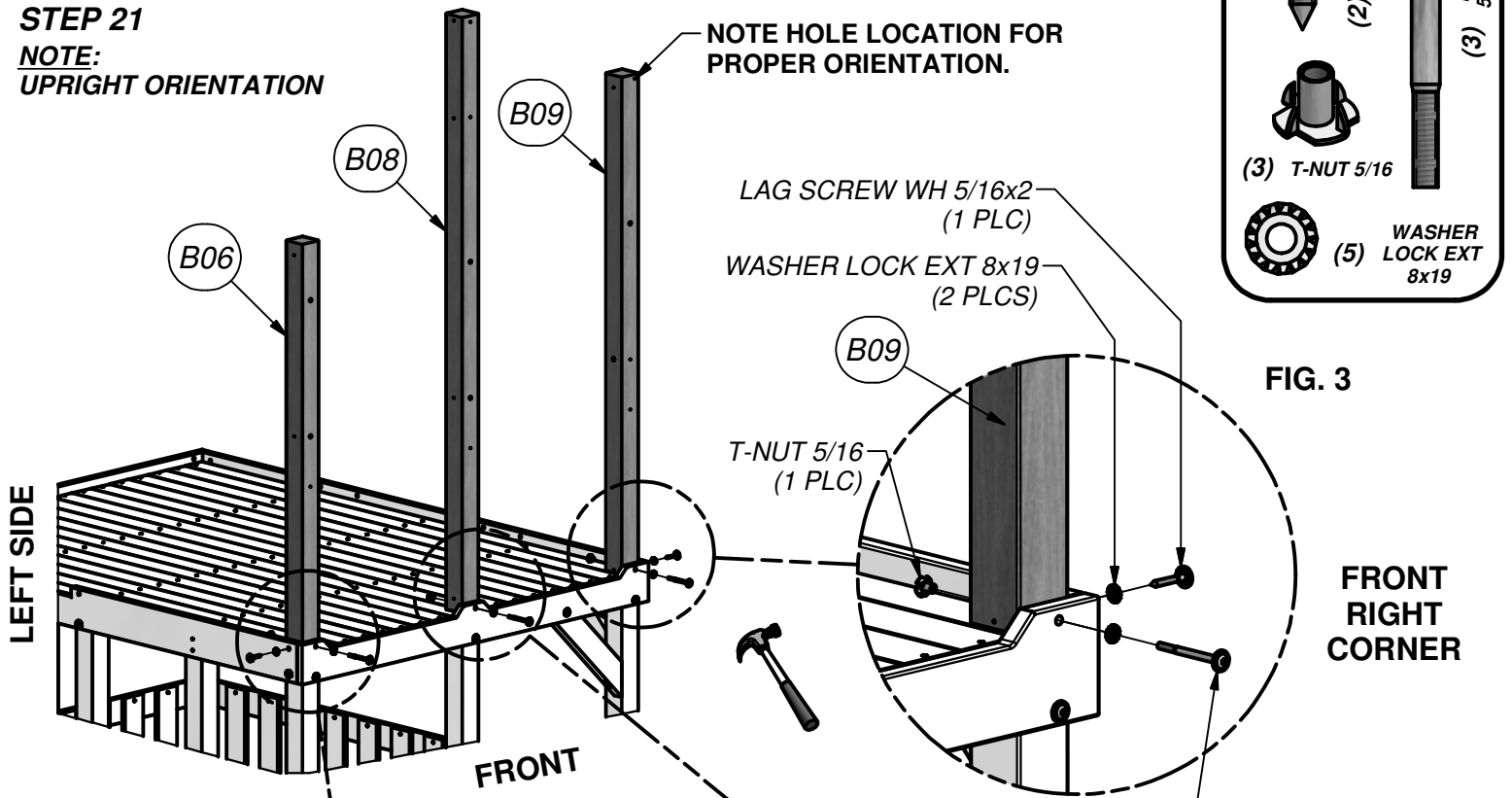


FIG. 1

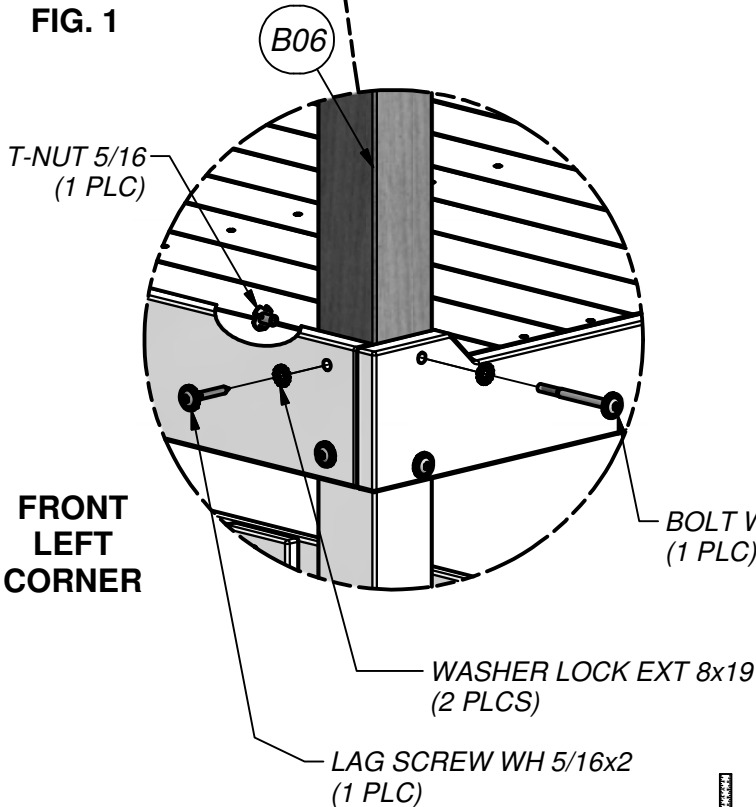
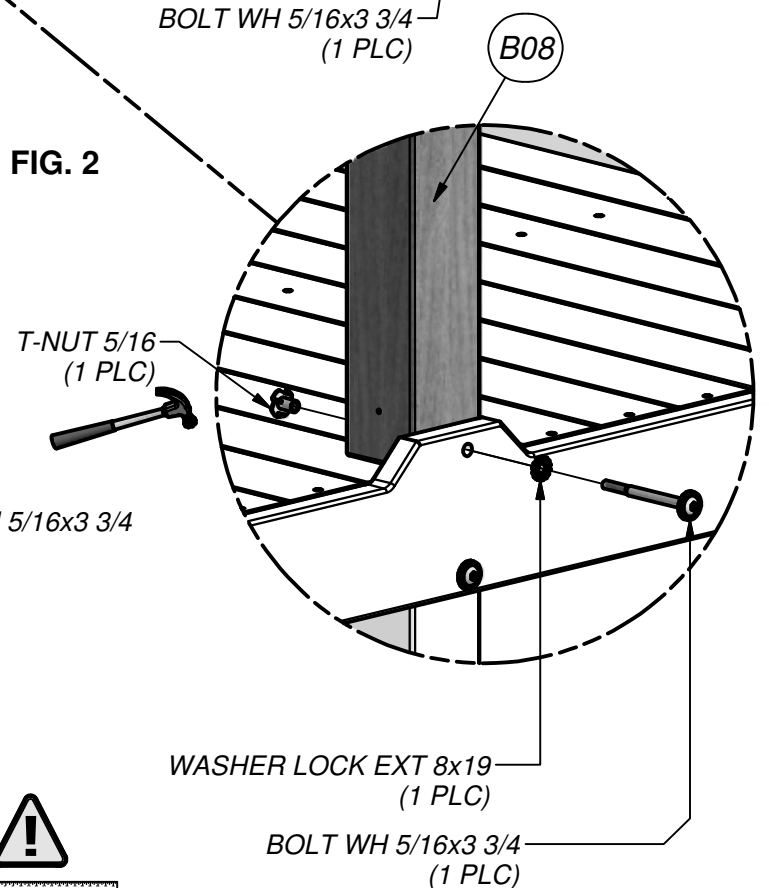


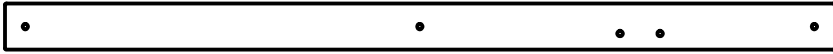
FIG. 2



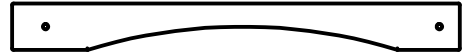
FRONT CENTER



EXTERIOR VIEW
(FRONT UPPER UPRIGHTS)
LARGE FORT

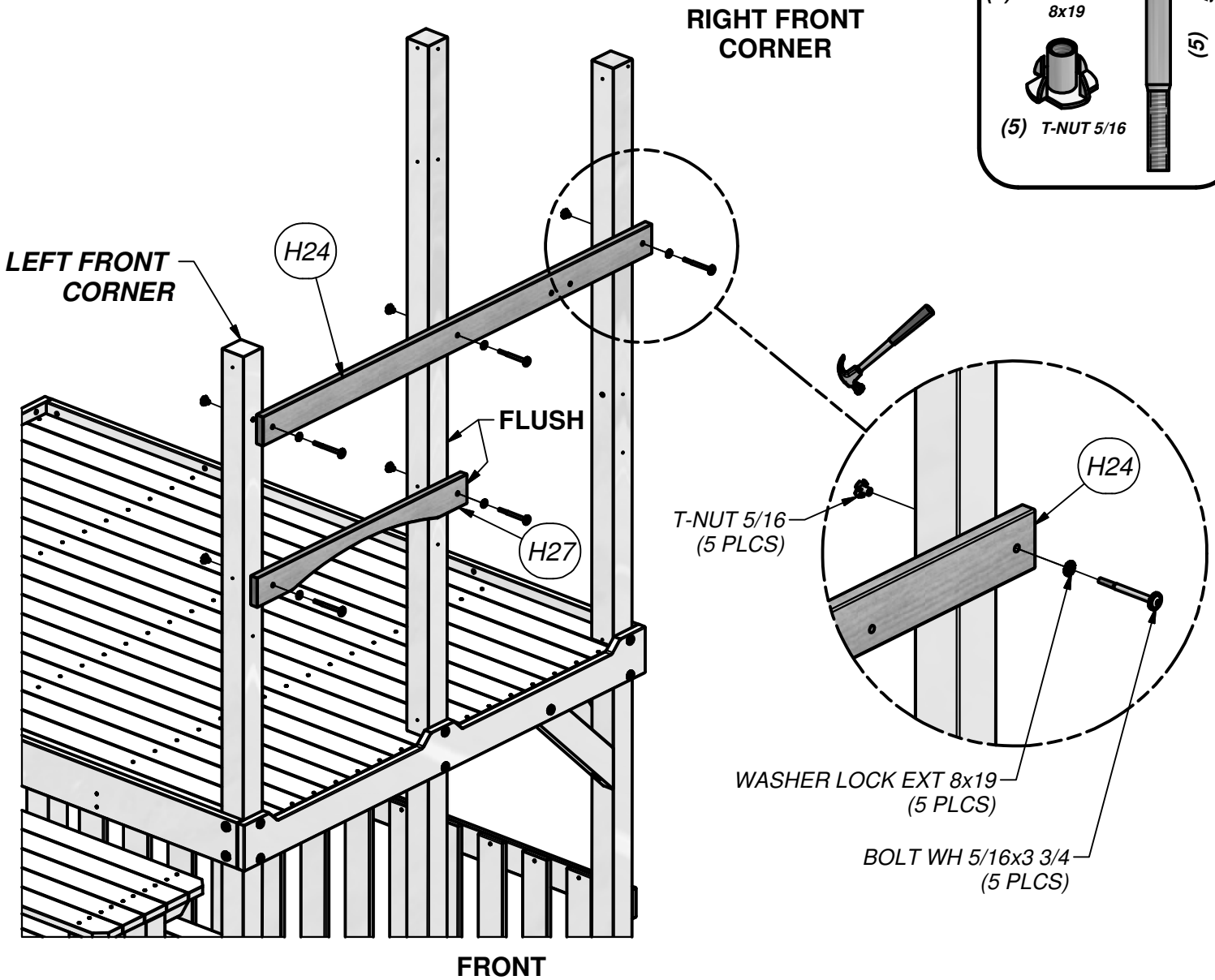
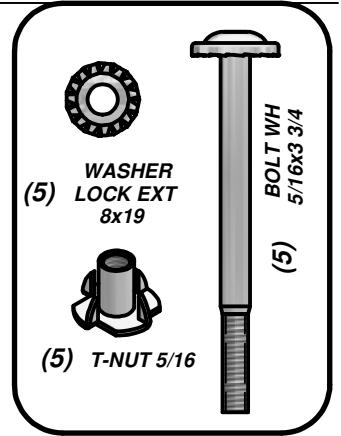


(1) H24 - WALL RAIL - W4L08292
1"x3 3/8"x60 1/2" (24x86x1538)

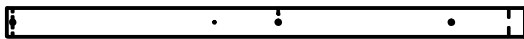


(1) H27 - ARCH RAIL - W4L07906
1"x3 3/8"x32 5/8" (24x86x830)

STEP 22



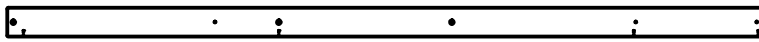
**EXTERIOR VIEW
(FRONT UPPER RAILS)
LARGE FORT**



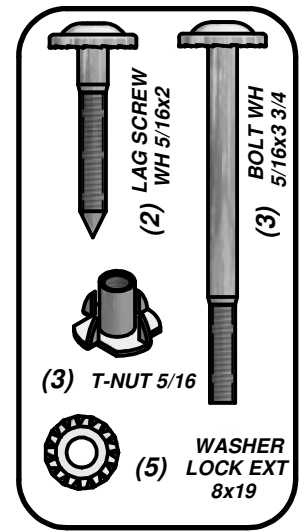
(1) B06 - UPRIGHT - W4L07901
3"x3"x54" (76x76x1372)



(1) B09 - UPRIGHT - W4L07903
3"x3"x66" (76x76x1676)



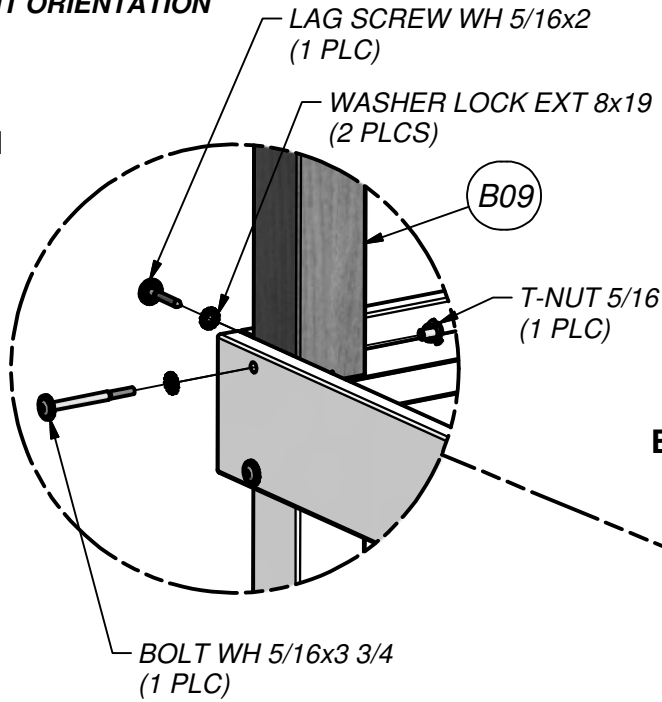
(1) B08 - UPRIGHT - W4L07902
3"x3"x79" (76x76x2006)



STEP 23

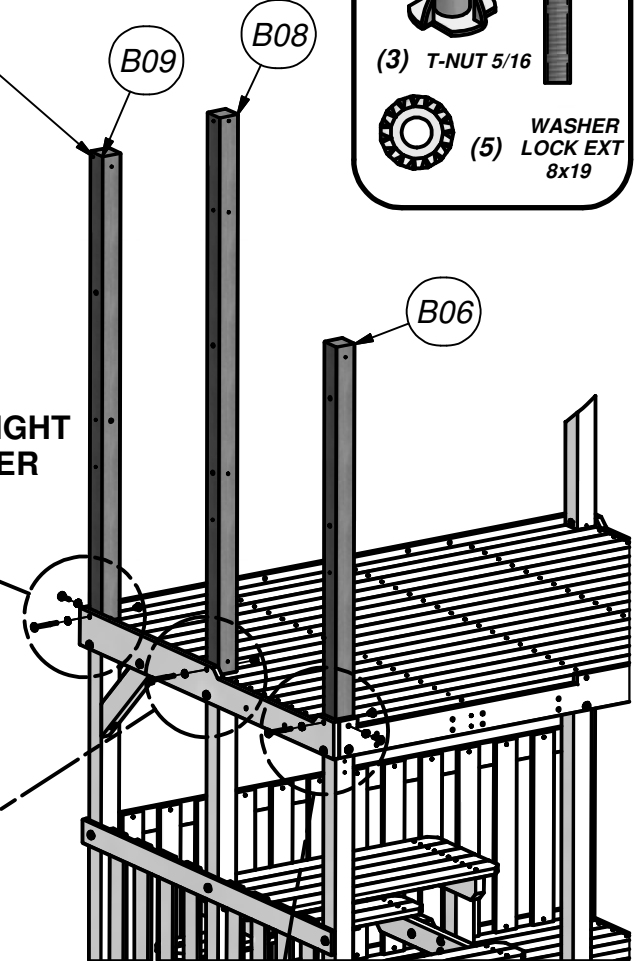
NOTE:
UPRIGHT ORIENTATION

FIG. 1



NOTE HOLE LOCATION FOR PROPER ORIENTATION.

BACK RIGHT CORNER



LEFT SIDE

FIG. 2

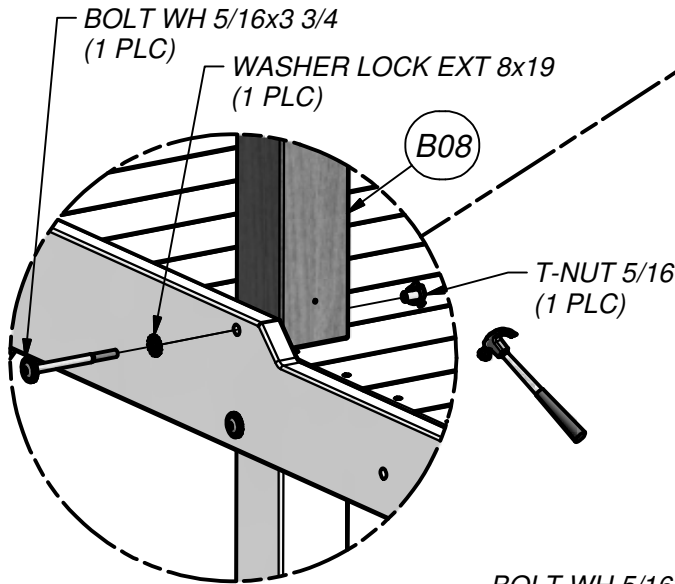
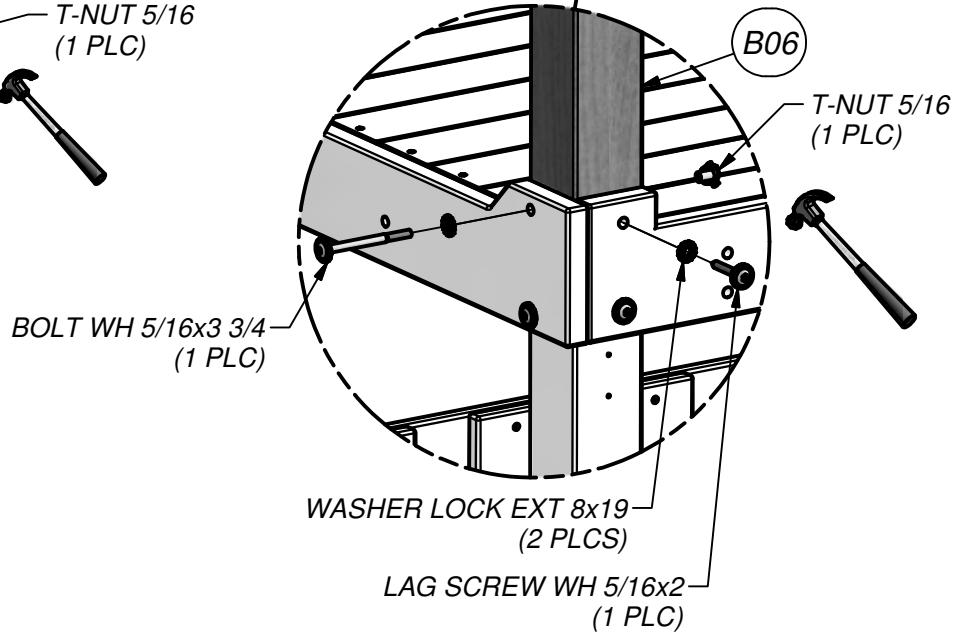
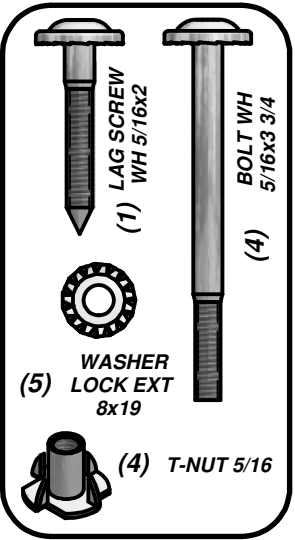
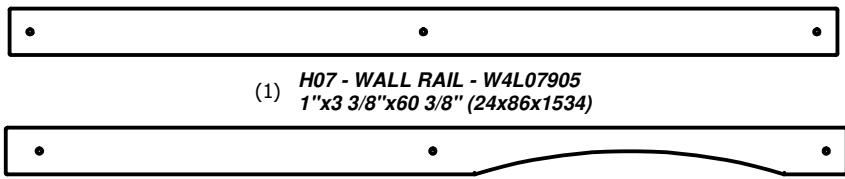


FIG. 3

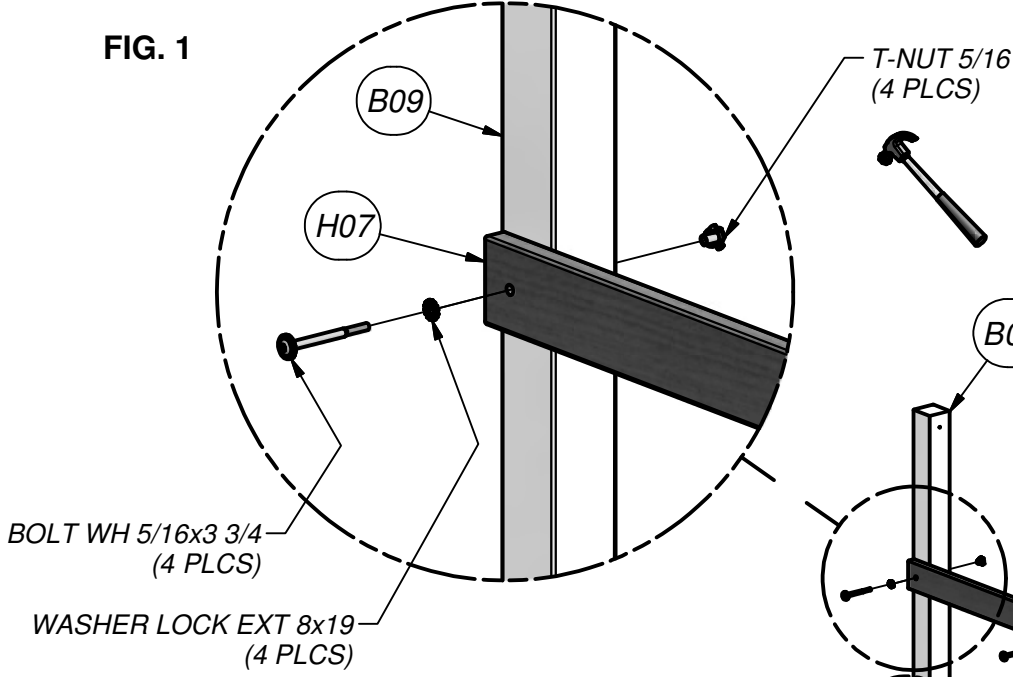


**EXTERIOR VIEW
(BACK UPPER UPRIGHTS)
LARGE FORT**



STEP 24

FIG. 1



NOTE:
'H25' ORIENTATION

FIG. 2

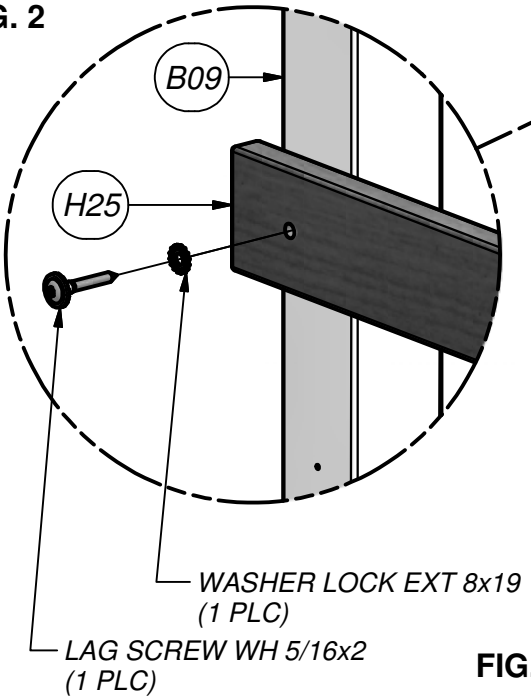
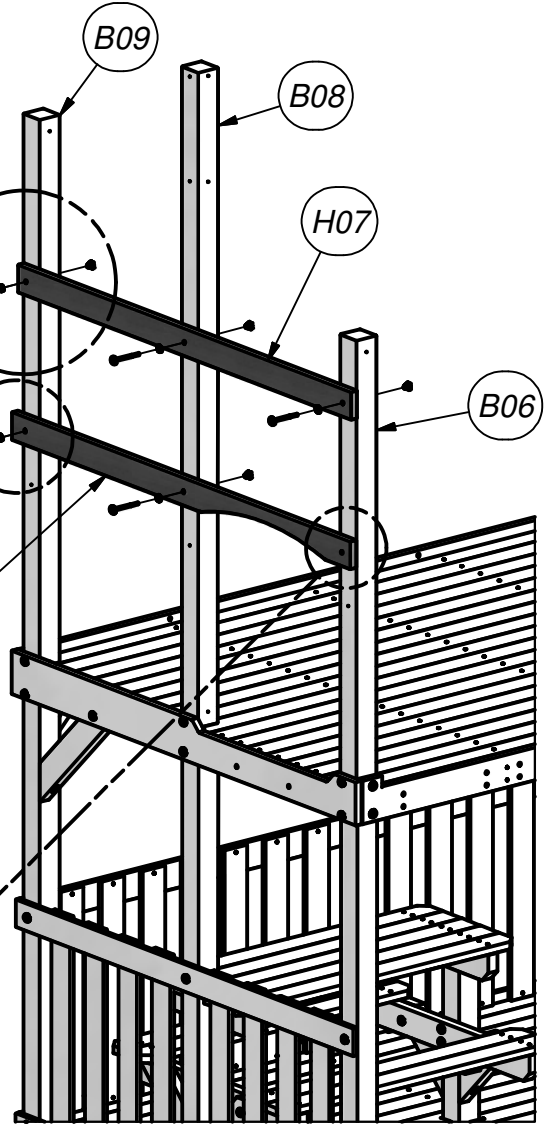
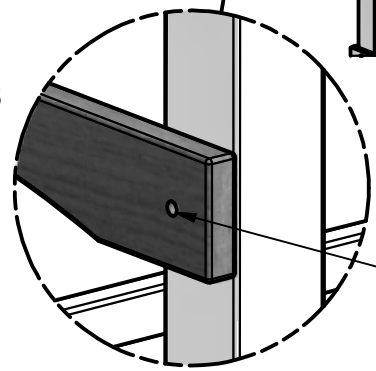


FIG. 3



LEFT BACK CORNER

**EXTERIOR VIEW
(BACK UPPER RAILS)
LARGE FORT**

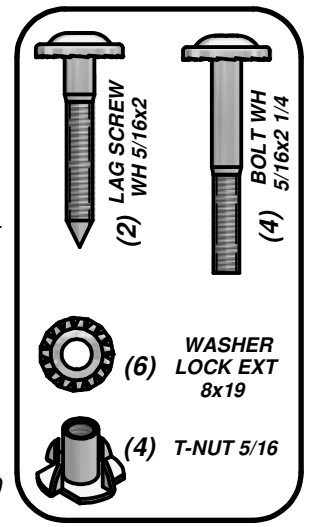


(2) E08 - UPRIGHT - W4L07983
1 3/8"x3 3/8"x66 1/8" (36x86x1678)



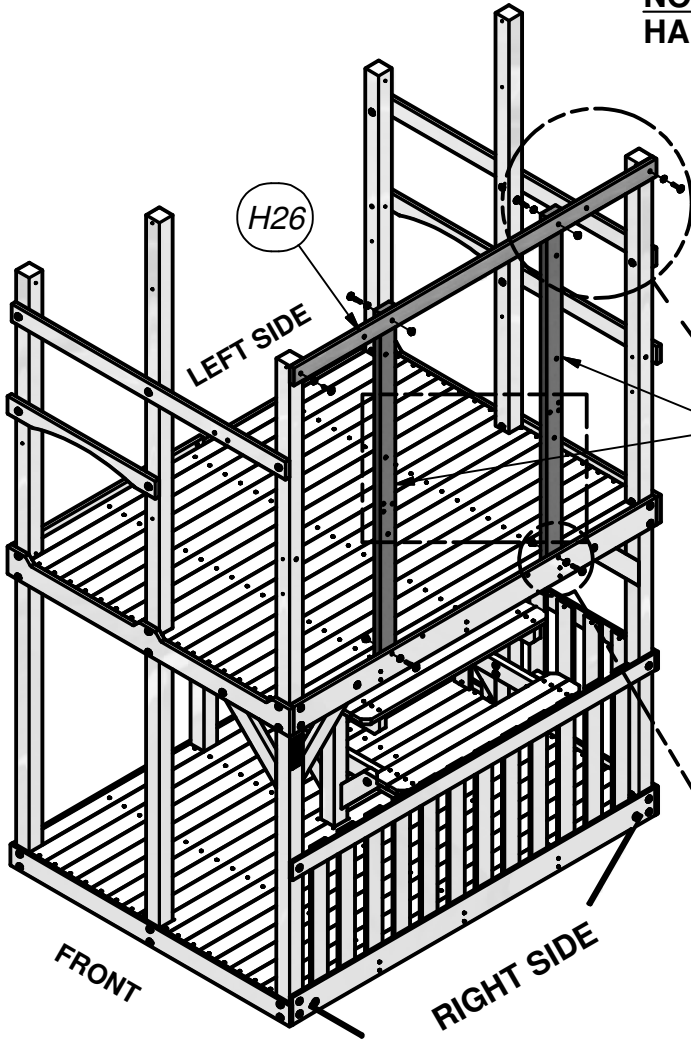
PILOT HOLES FACE INTERIOR TOP

(1) H26 - WALL RAIL - W4L07904
1"x3 3/8"x80 1/4" (24x86x2038)



STEP 25

**NOTE:
HARDWARE ORIENTATION**



BOLT WH 5/16x2 1/4
(4 PLCS)

WASHER LOCK EXT 8x19
(4 PLCS)

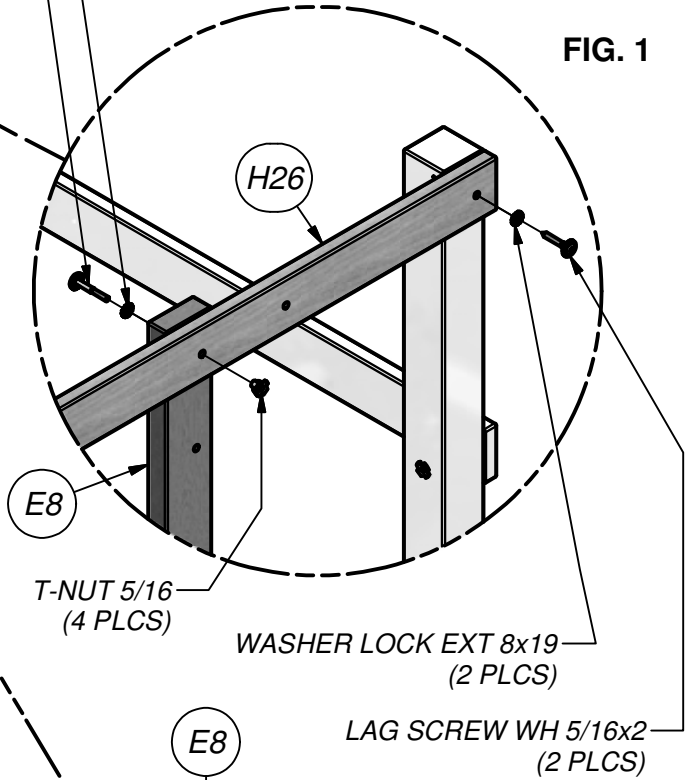
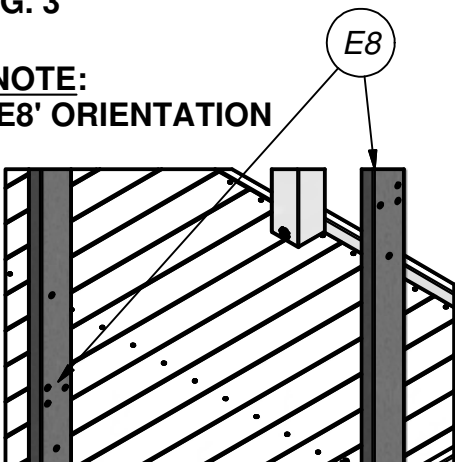


FIG. 1

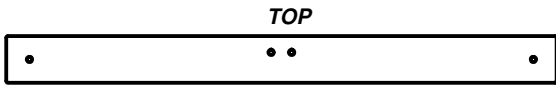
FIG. 2

FIG. 3

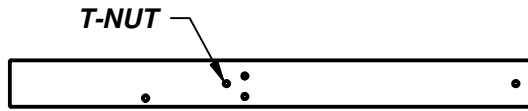
**NOTE:
'E8' ORIENTATION**



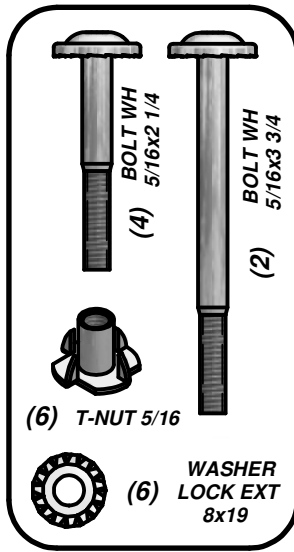
**EXTERIOR VIEW
(RIGHT CENTER UPRIGHTS & RAIL)
LARGE FORT**



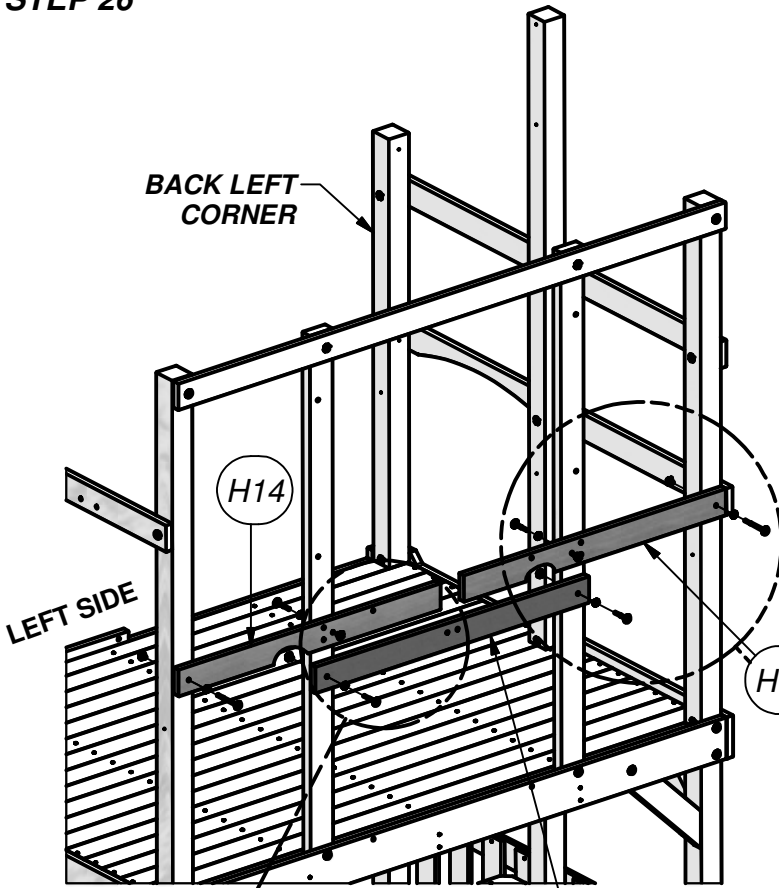
(1) H32 - RAIL - W4L07993
1"x3 3/8"x40 1/8" (24x86x1020)



(2) H14 - RAIL - W4L07979
1"x3 3/8"x38 3/8" (24x86x976)



STEP 26



NOTE:
HARDWARE ORIENTATION

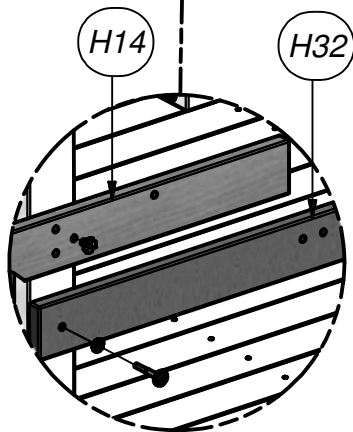
BOLT WH 5/16x3 3/4
(2 PLCS)

BOLT WH 5/16x2 1/4
(2 PLCS)

T-NUT 5/16
(6 PLCS)

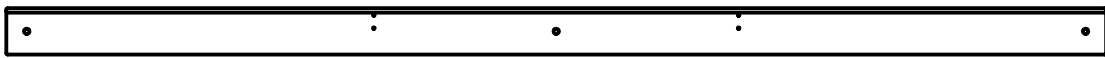
WASHER LOCK EXT 8x19
(6 PLCS)

BOLT WH 5/16x2 1/4
(2 PLCS)



NOTE:
'H14' & 'H32' ORIENTATION

EXTERIOR VIEW
(RIGHT UPPER CENTER RAILS)
LARGE FORT



(1) H06 - ROOF RAIL - W4L07920
1"x3 3/8"x80 1/4" (24x86x2038)



(1) H28 - WALL RAIL - W4L07907
1"x3 3/8"x41 5/8" (24x86x1058)



(1) B07 - UPRIGHT - W4L07909
3"x3"x54" (76x76x1372)

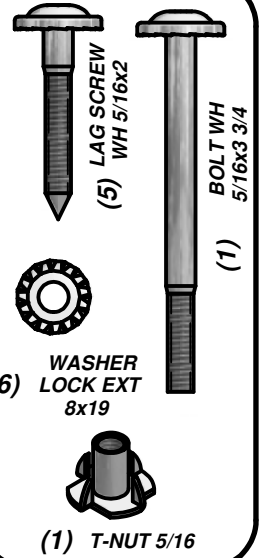
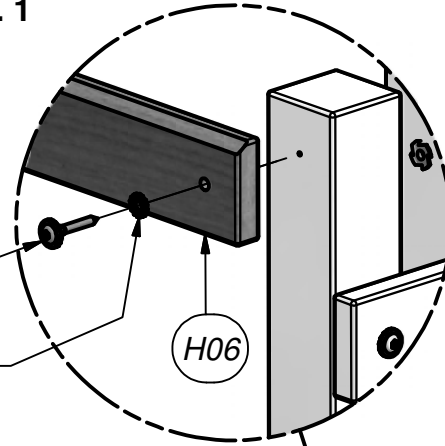
STEP 27

NOTE:
'H6' ORIENTATION

FIG. 1

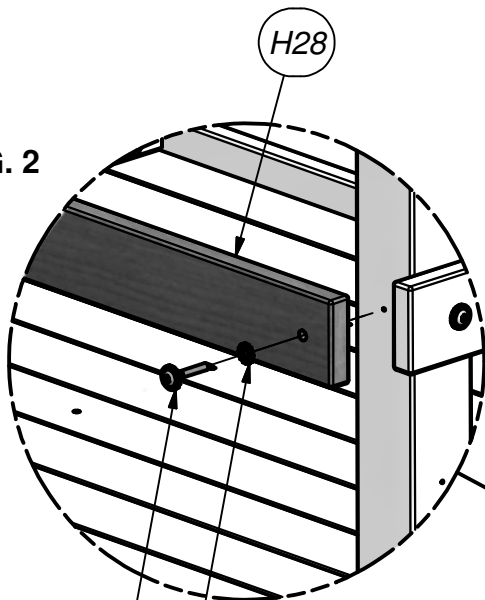
LAG SCREW WH 5/16x2
(3 PLCS)

WASHER LOCK EXT 8x19
(3 PLCS)



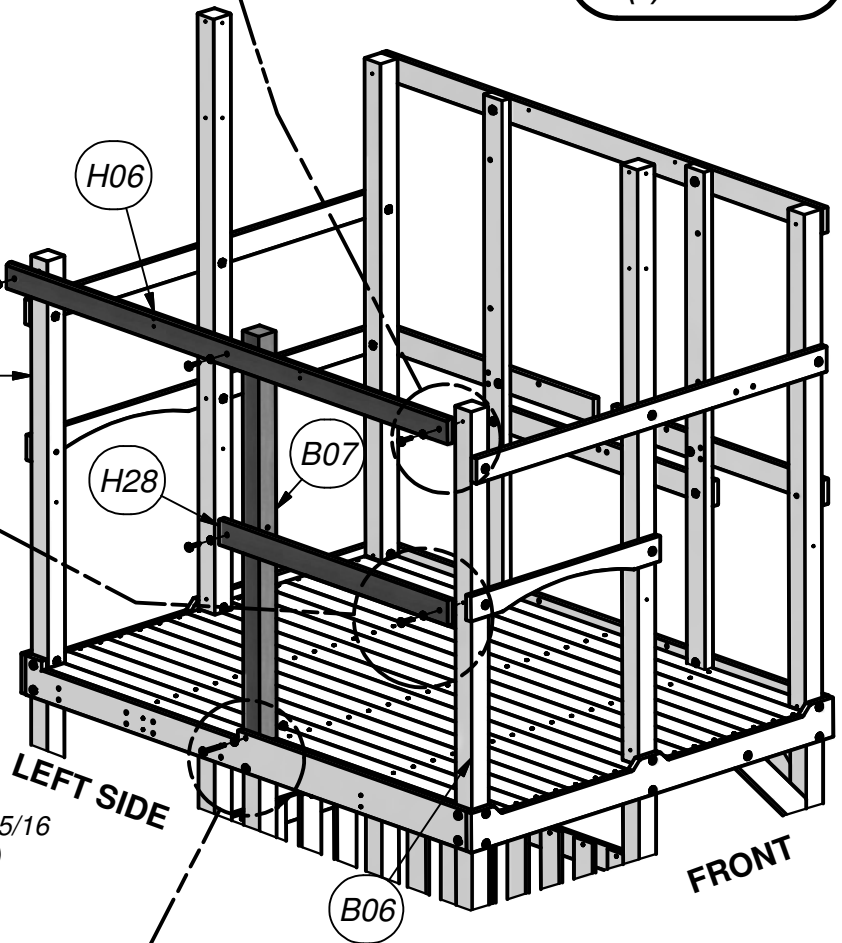
NOTE:
PILOT HOLES

FIG. 2



WASHER LOCK EXT 8x19
(2 PLCS)

LAG SCREW WH 5/16x2
(2 PLCS)



LEFT SIDE

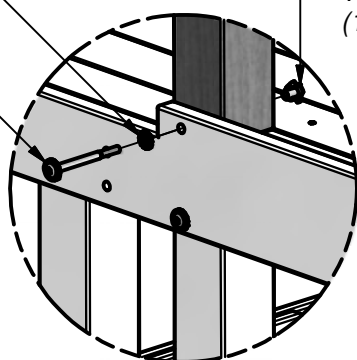
FRONT

FIG. 3

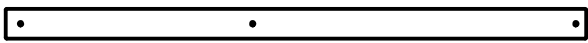
WASHER LOCK
EXT 8x19
(1 PLC)

BOLT WH 5/16x3 3/4
(1 PLC)

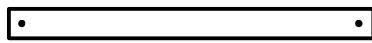
T-NUT 5/16
(1 PLC)



EXTERIOR VIEW
(LEFT UPPER RAILS)
LARGE FORT



(1) E05 - UPRIGHT - W4L07915
1 3/8"x3 3/8"x66 1/2" (36x86x1690)



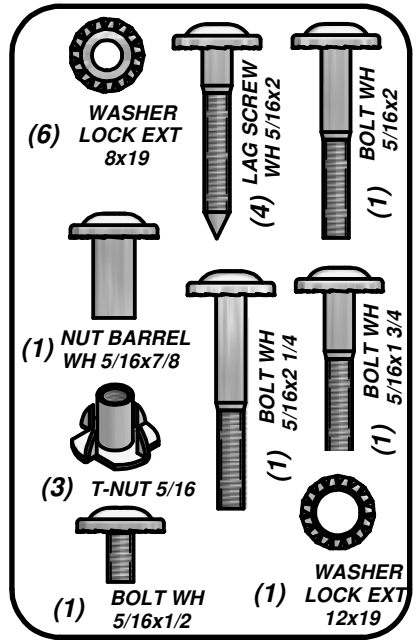
(2) M10 - WALL RAIL - W4L07917
5/8"x3 3/8"x41 3/4" (16x86x1062)



(1) J01 - WALL RAIL - W4L07916
1"x2 3/8"x78 5/8" (24x60x1998)



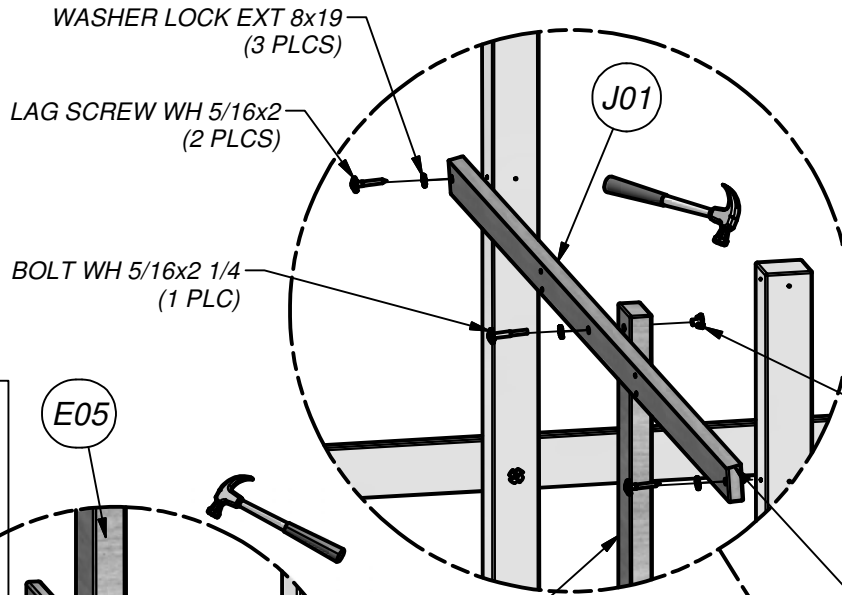
(1) TZ - L BRACKET 2.5x38x50x55 - A100340



STEP 28

NOTE:
PILOT HOLES

FIG. 1



NOTE:
'J1' ORIENTATION

BEVELED EDGE.

FIG. 2

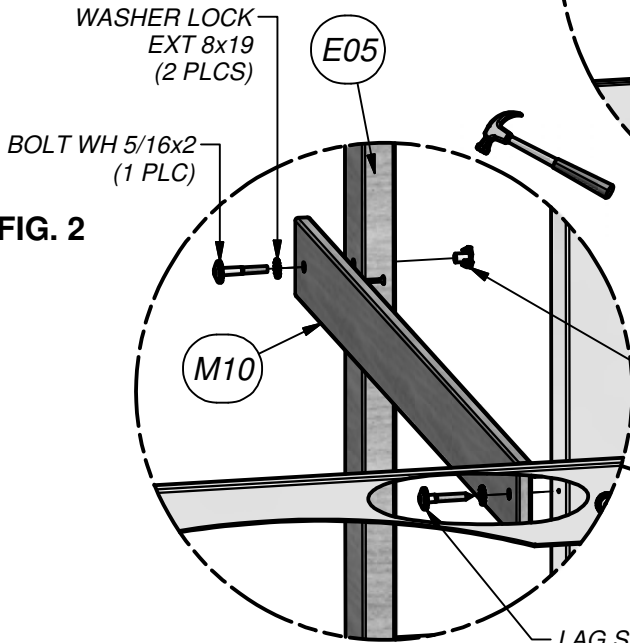
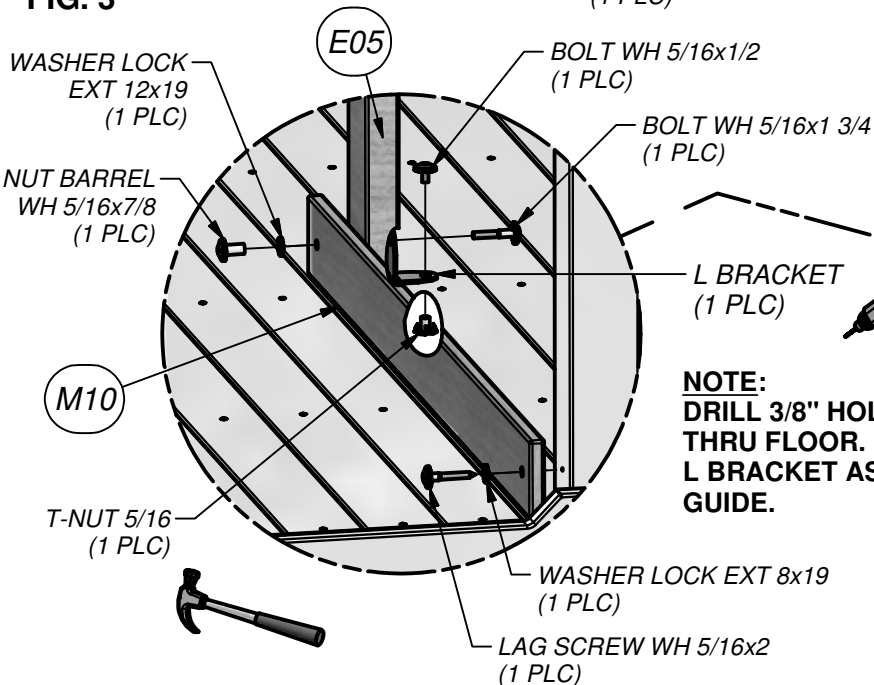
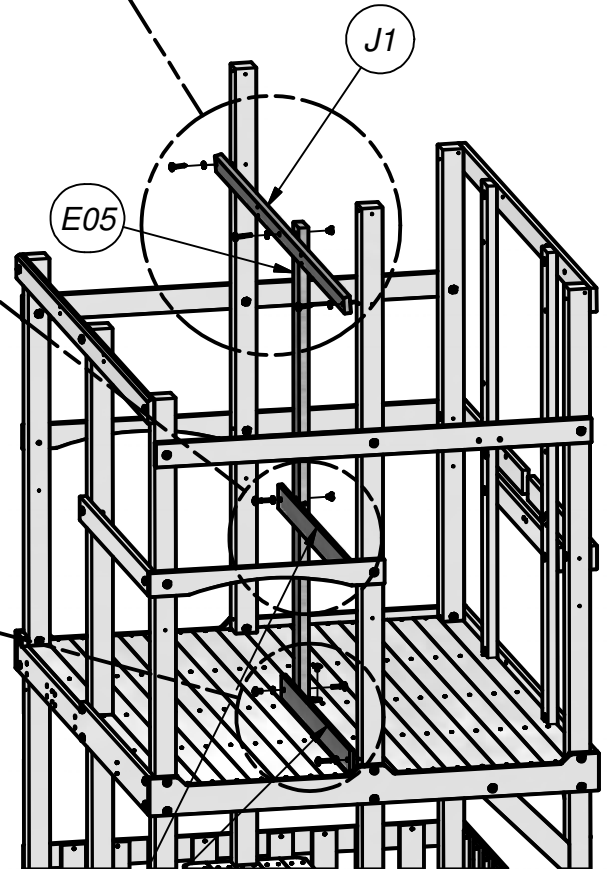


FIG. 3



NOTE:
DRILL 3/8" HOLE
THRU FLOOR. USE
L BRACKET AS A
GUIDE.



INTERIOR VIEW
(CENTER UPPER WALL FRAME)
LARGE FORT



(9) **M09 - WALL BOARD - W4L07911**
5/8"x3 3/8"x30" (16x86x762)



(2) **N1 - WALL BOARD - W4L07912**
5/8"x2 3/8"x30" (16x60x762)

STEP 29

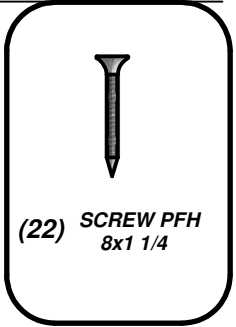
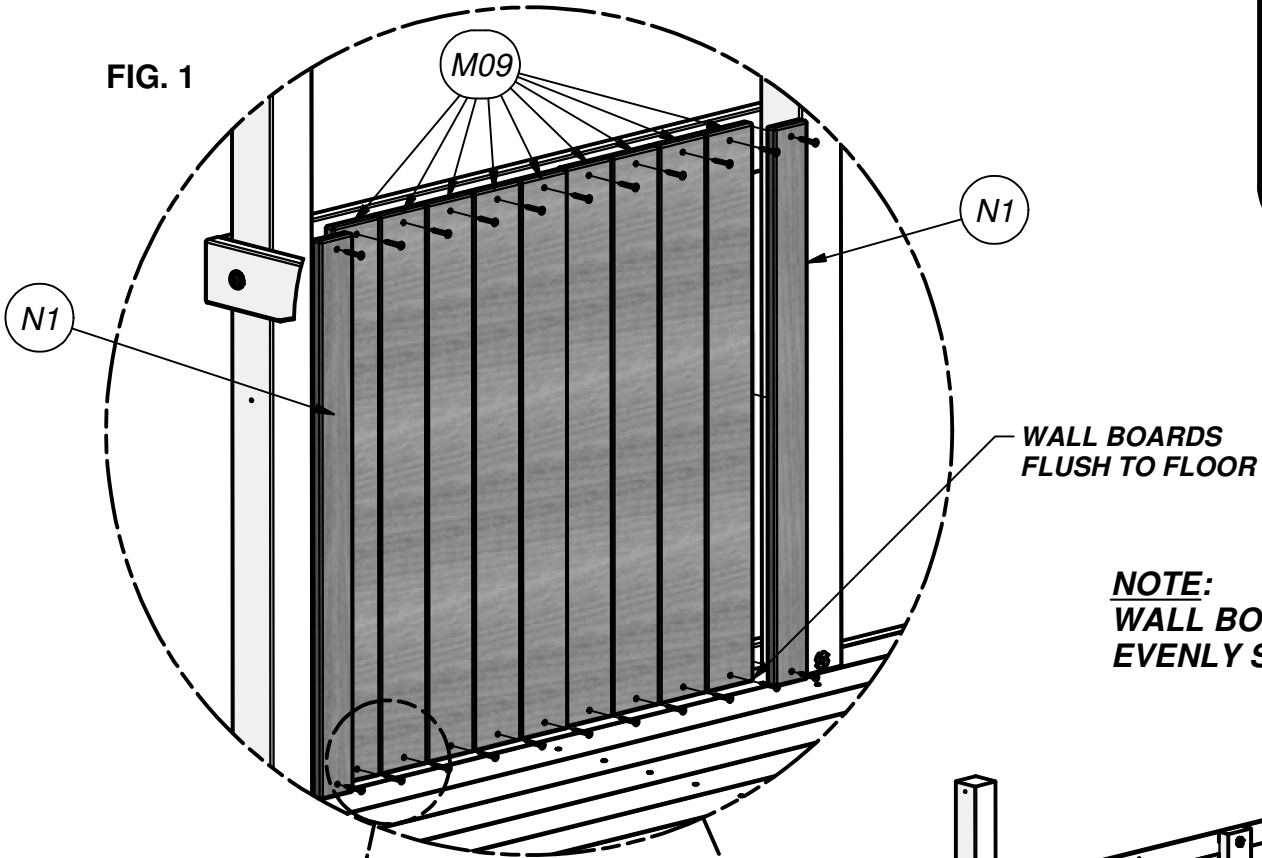
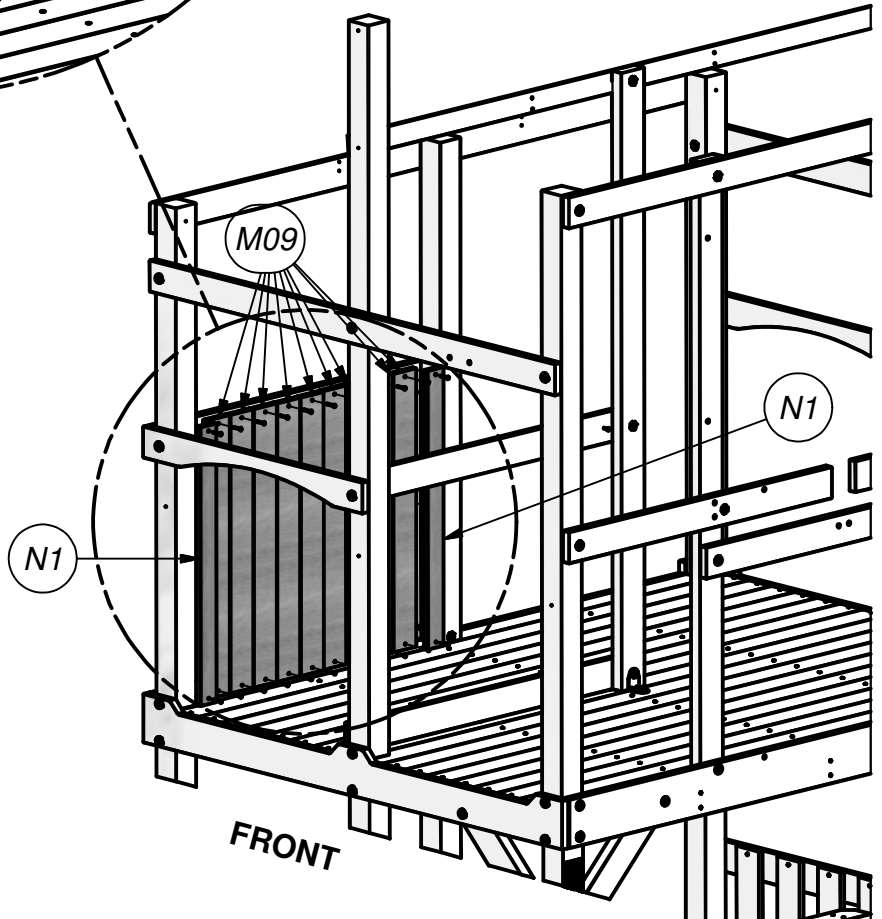
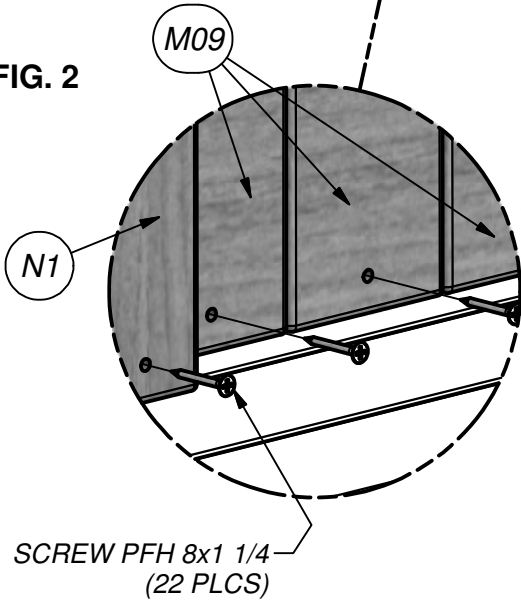


FIG. 1



**NOTE:
WALL BOARDS
EVENLY SPACED**

FIG. 2



**INTERIOR VIEW
(LEFT UPPER WALL)
LARGE FORT**

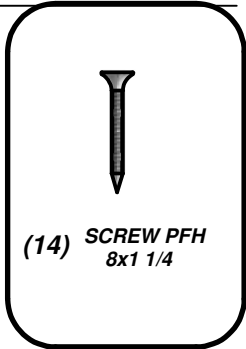
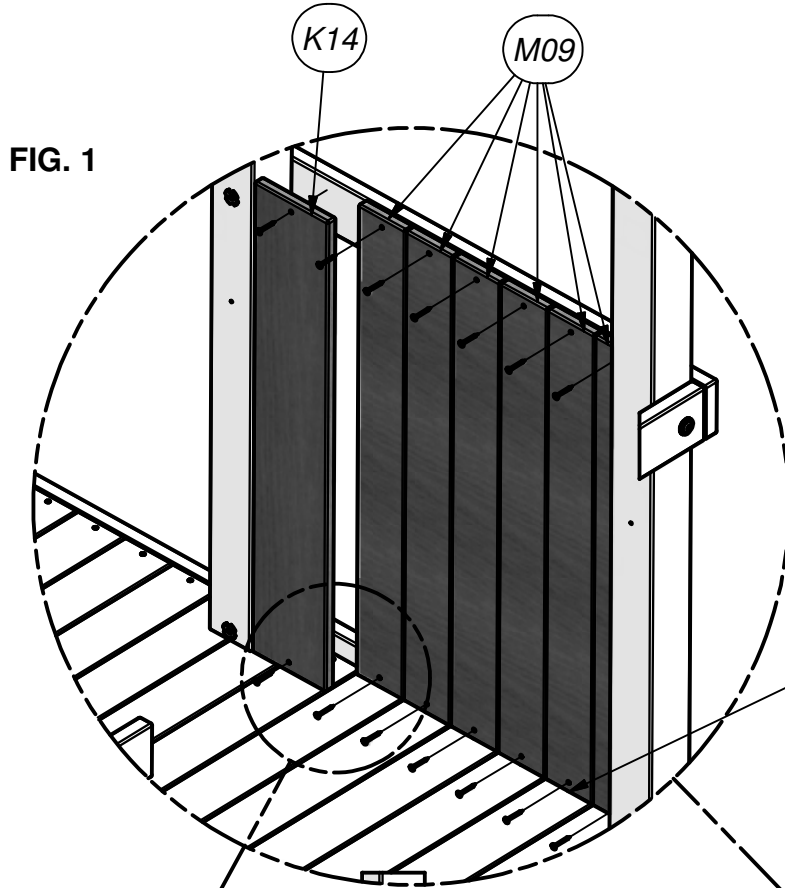


(6) M09 - WALL BOARD - W4L07911
5/8"x3 3/8"x30" (16x86x762)



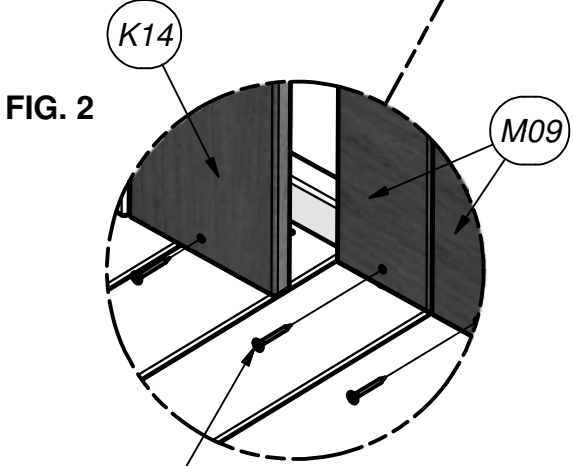
(1) K14 - WALL BOARD - W4L07913
5/8"x5 1/4"x30" (16x134x762)

STEP 30

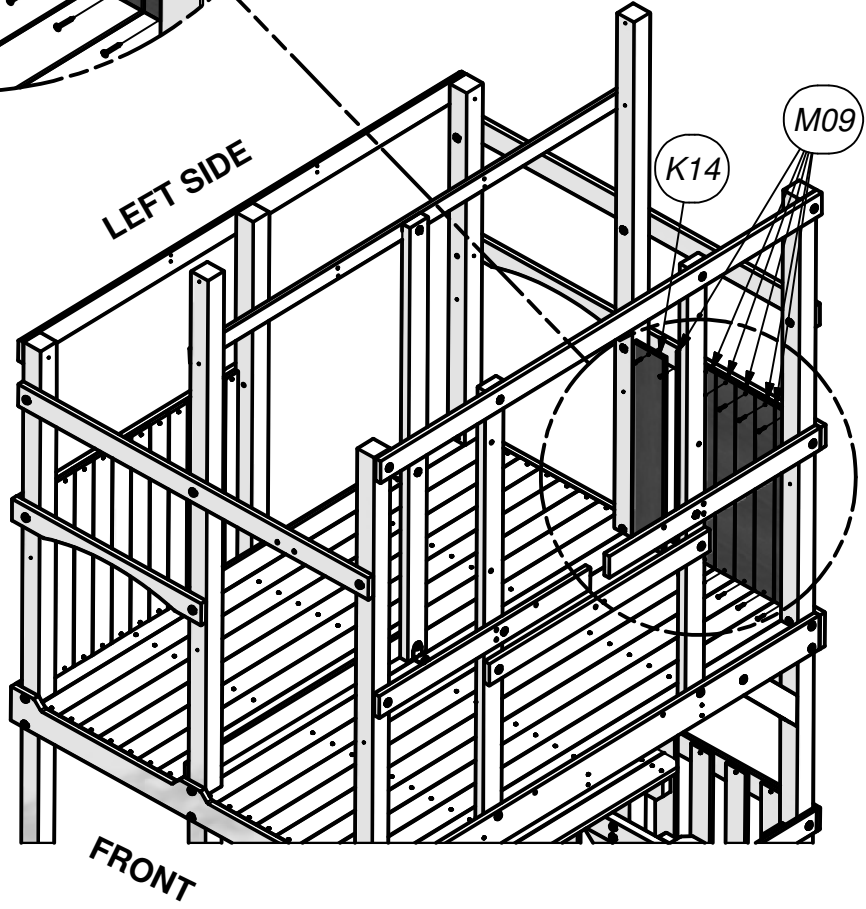


NOTE:
WALL BOARDS
EVENLY SPACED

WALL BOARDS
FLUSH TO FLOOR



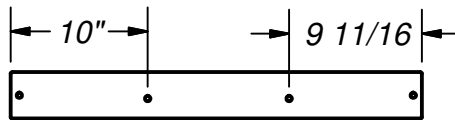
SCREW PFH 8x1 1/4
(14 PLCS)



**INTERIOR VIEW
(BACK UPPER WALL)
LARGE FORT**



(6) M09 - WALL BOARD - W4L07911
5/8"x3 3/8"x30" (16x86x762)



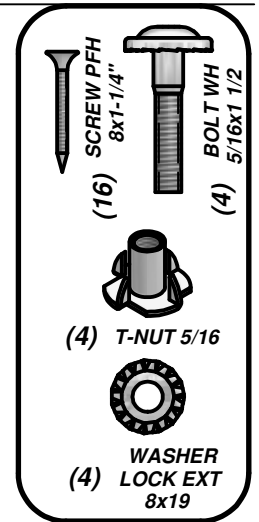
(2) M15 - WALL BOARD - W4L07981
5/8"x3 3/8"x30" (16x86x762)



(2) M25 - WALL BOARD - W4L07982
5/8"x3 1/8"x30" (16x80x762)

STEP 31

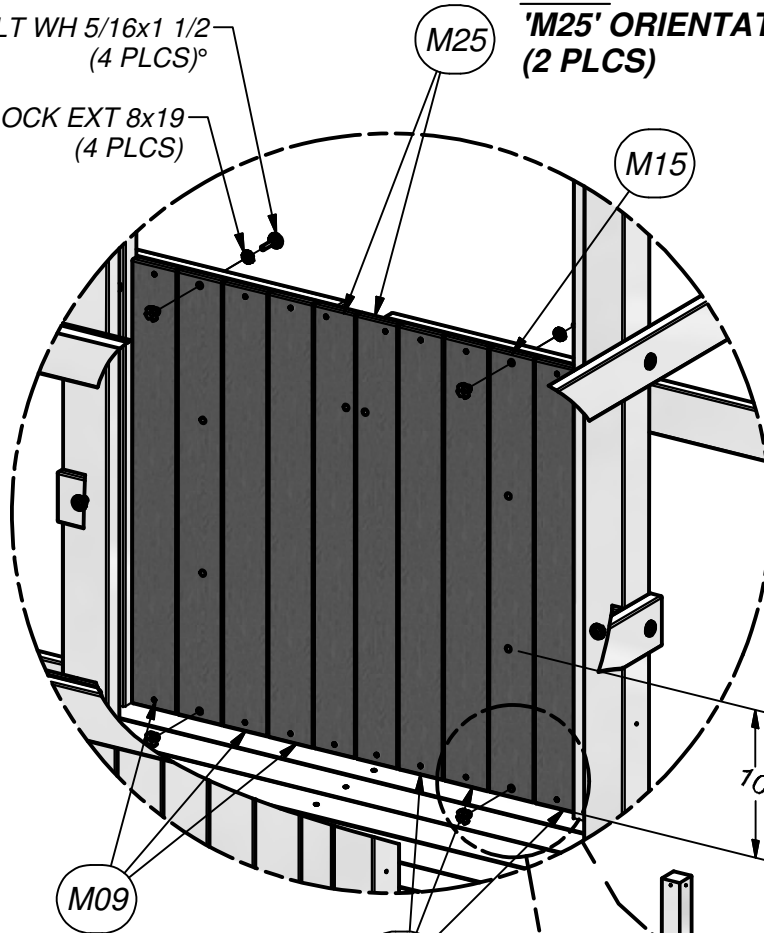
NOTE:
'M25' ORIENTATION
(2 PLCS)



BOLT WH 5/16x1 1/2
(4 PLCS)^o

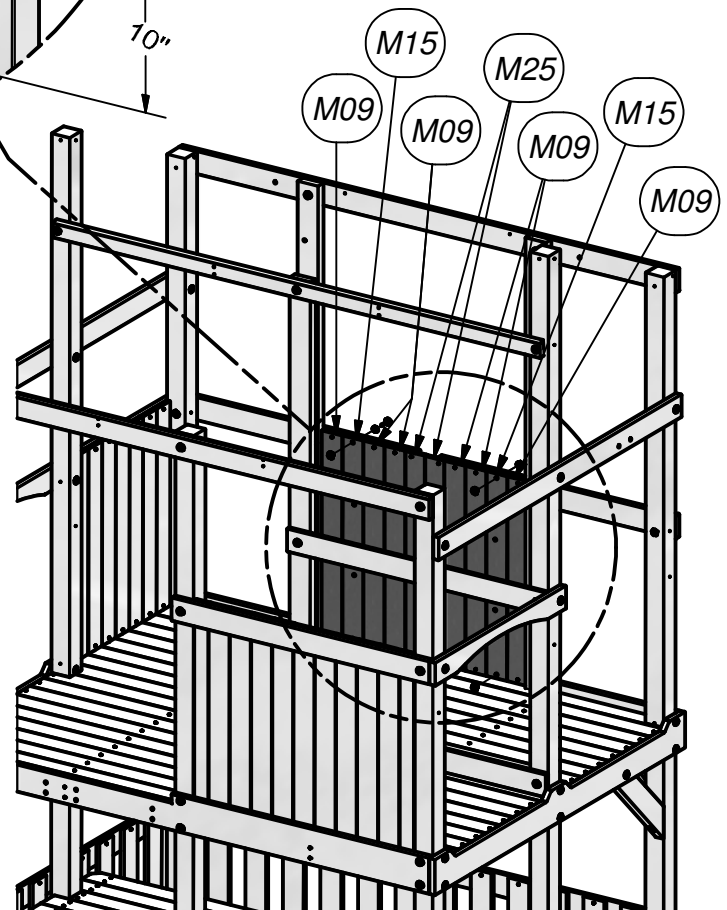
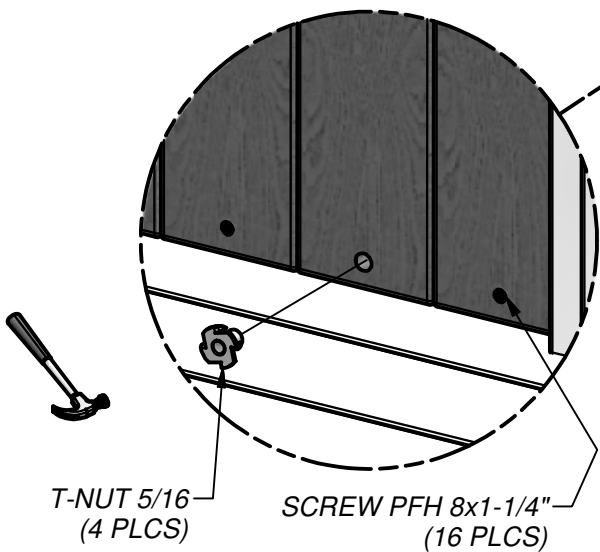
WASHER LOCK EXT 8x19
(4 PLCS)

FIG. 1



NOTE:
'M15' ORIENTATION
(2 PLCS)

FIG. 2



INTERIOR VIEW
(UPPER RIGHT CENTER WALL)
LARGE FORT

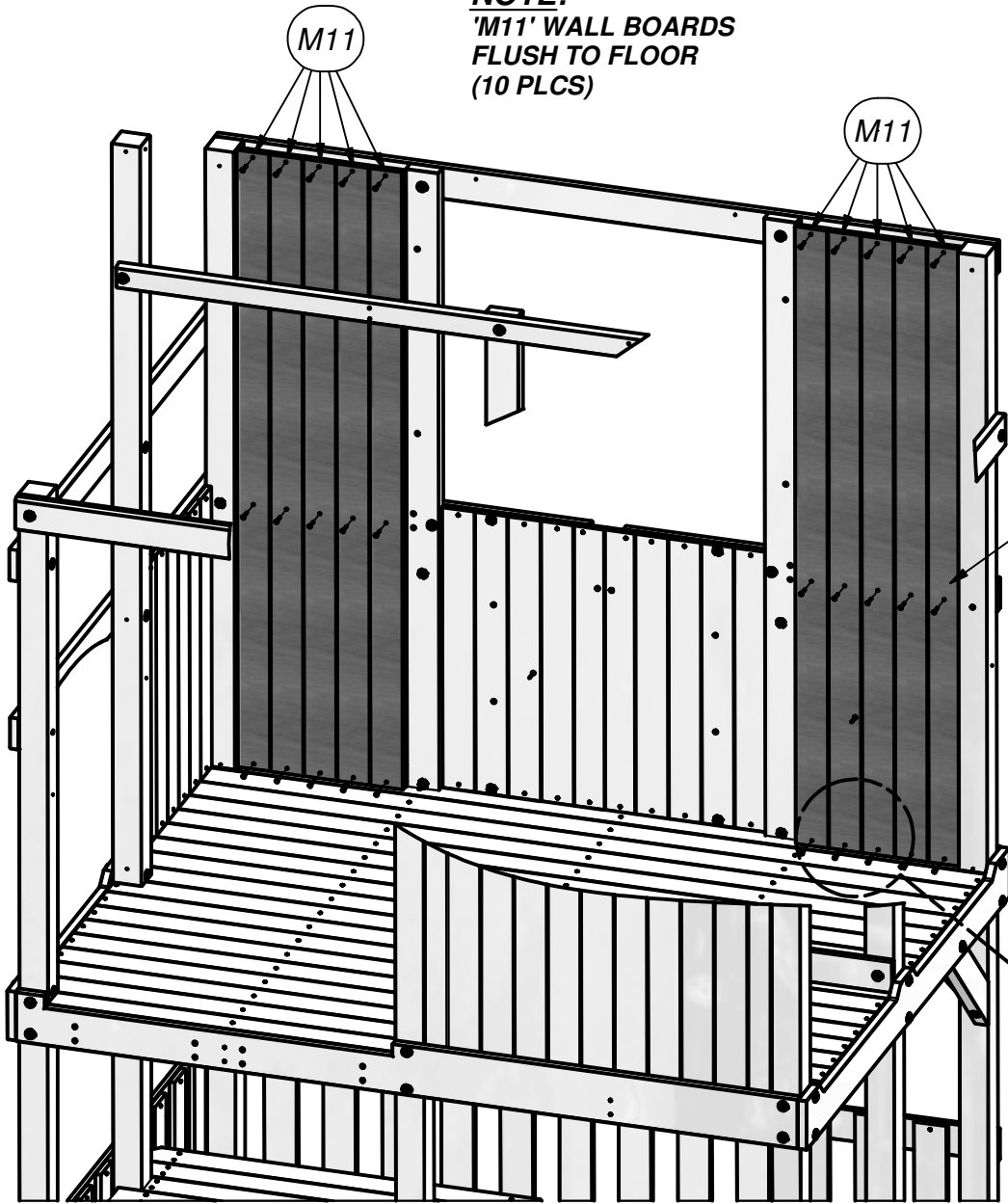
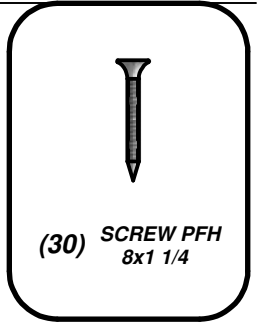
FRONT
LEFT CORNER



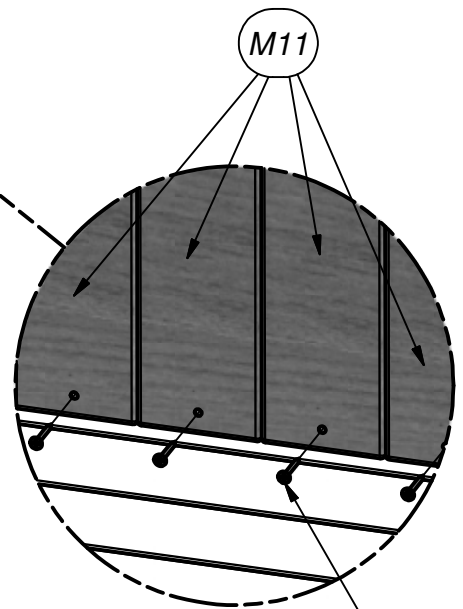
(10) M11 - WALL BOARD - W4L07914
5/8"x3 3/8"x66" (16x86x1676)

STEP 32

NOTE:
'M11' WALL BOARDS
FLUSH TO FLOOR
(10 PLCS)



NOTE:
'M11' ORIENTATION



FRONT LEFT
CORNER

INTERIOR VIEW
(UPPER RIGHT OUTER WALLS)
LARGE FORT

SCREW PFH 8x1 1/4
(30 PLCS)

(2) **G05 - ROOF TRUSS - W4L07919**
1"x5 1/4"x37 1/8" (24x134x942)

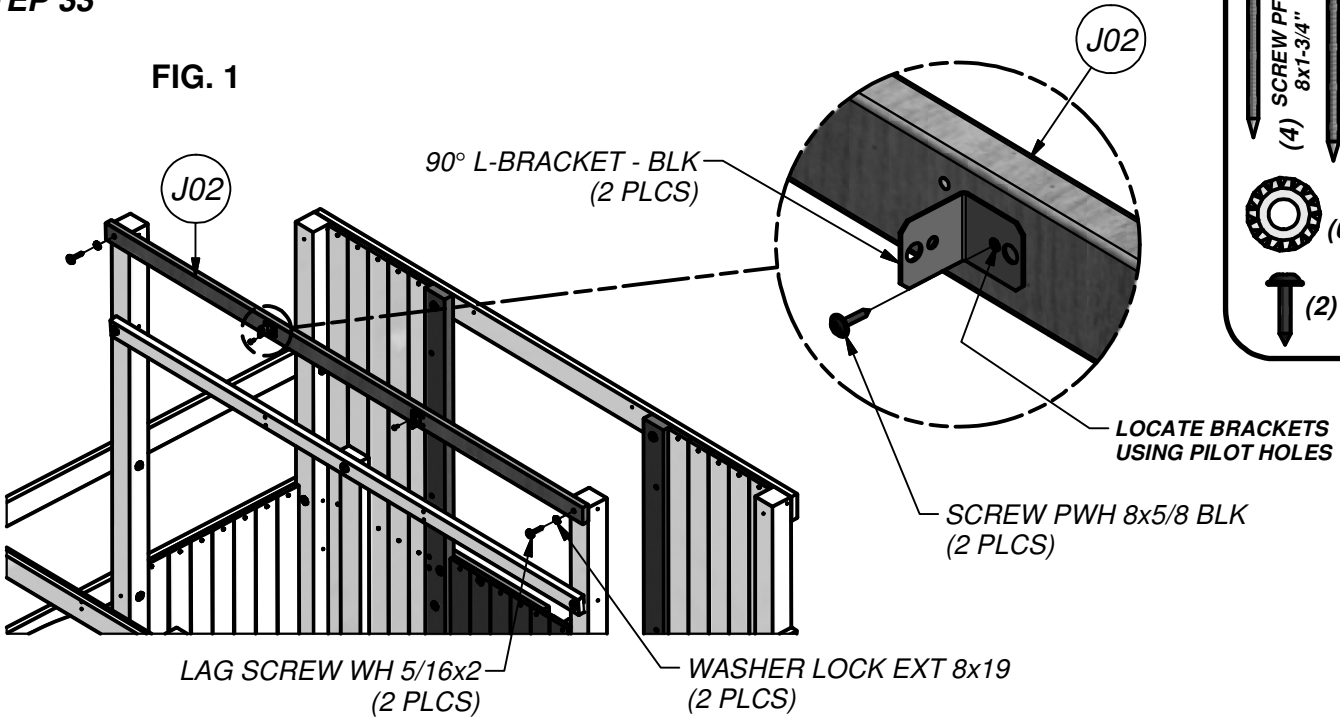
(2) **G06 - ROOF TRUSS - W4L07926**
1"x5 1/4"x35 3/8" (24x134x900)

(1) **J02 - ROOF RAIL - W4L07927**
1"x2 3/8"x80 1/4" (24x60x2038)

(2) **- 90° L-BRACKET - BLK - A4M00555**

STEP 33

FIG. 1



(4) SCREW PFH 8x1-3/4"

(2) SCREW PFH 8x2

(6) LAG SCREW WH 5/16x2

(6) WASHER LOCK EXT 8x19

(2) SCREW PWH 8x5/8 BLK

FIG. 2

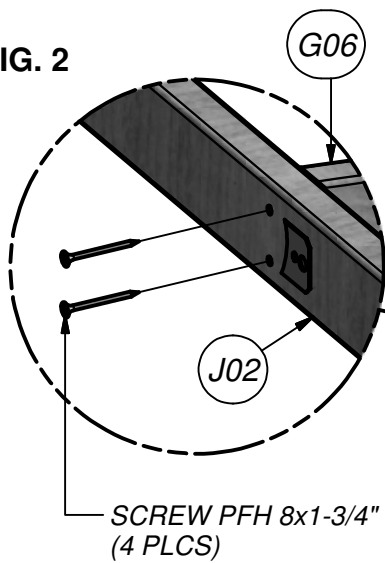


FIG. 3

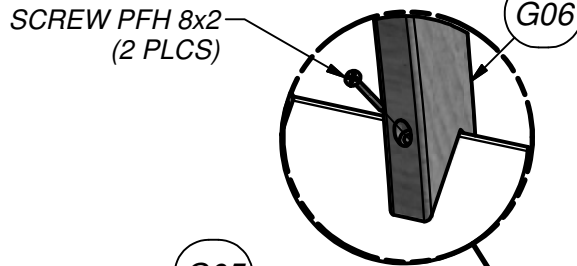
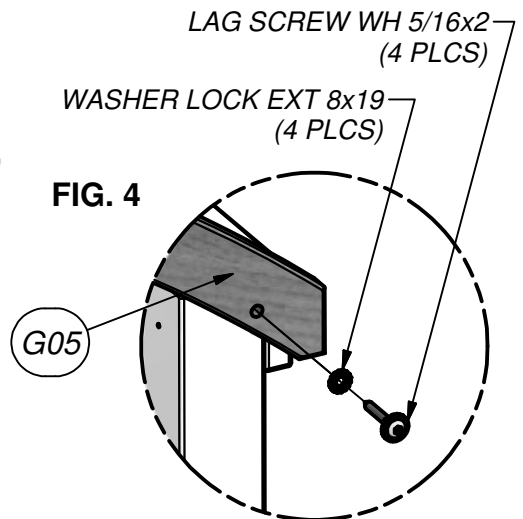
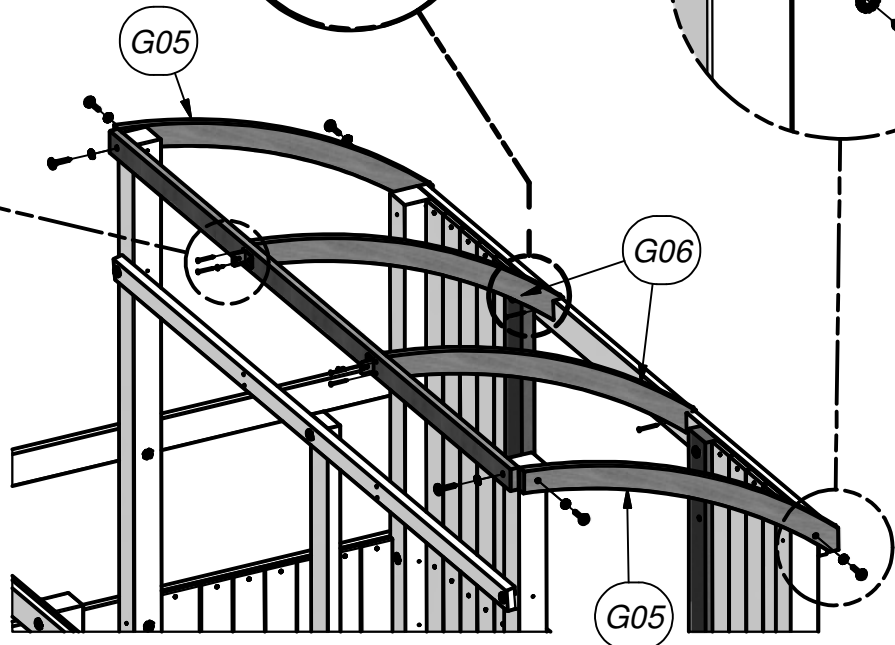
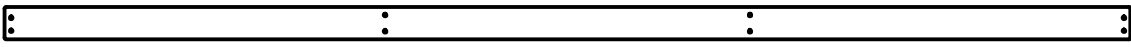


FIG. 4



**EXTERIOR VIEW
(RIGHT ROOF LINE)
LARGE FORT**





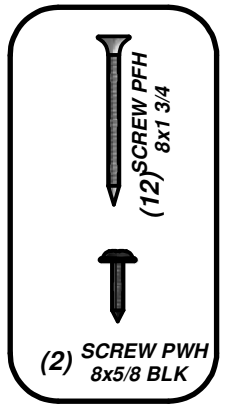
(1) N4 - ROOF RAIL - W4L07924
5/8"x2 3/8"x82 1/8" (16x60x2086)



(2) J03 - JOIST - W4L07925
1"x2 3/8"x5 3/4" (24x60x146)



(2) J04 - JOIST - W4L07928
1"x2 3/8"x4 3/4" (24x60x122)



STEP 34

FIG. 1

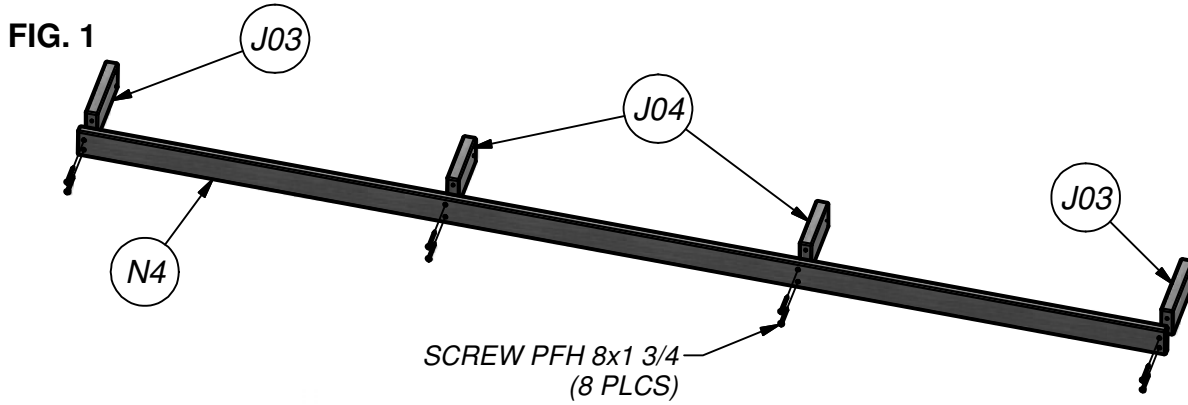


FIG. 2

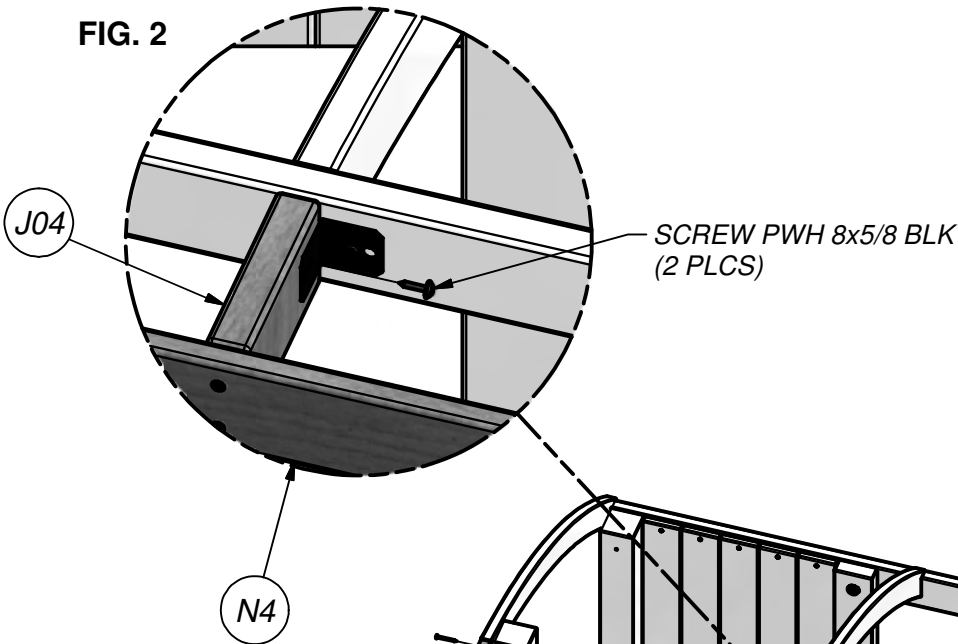
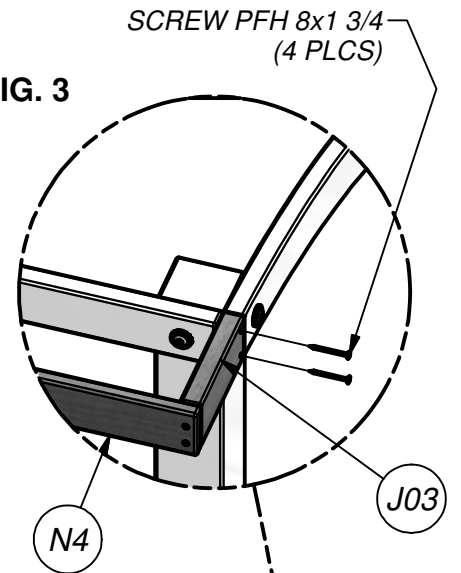
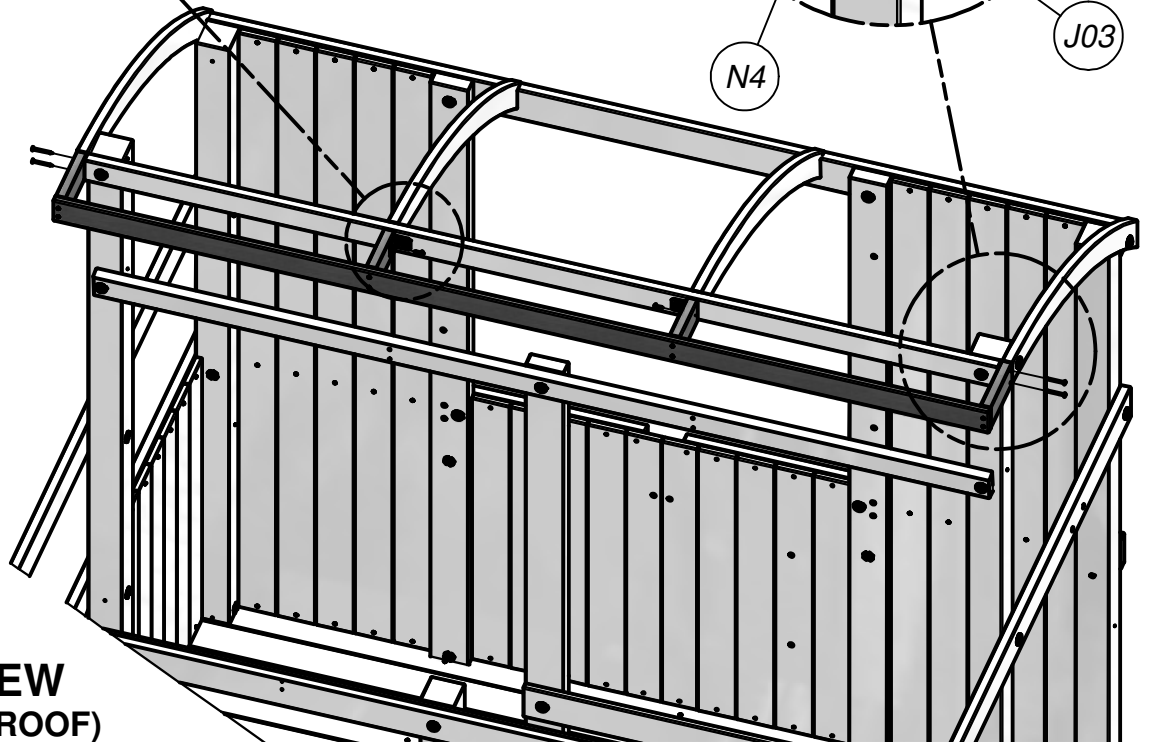
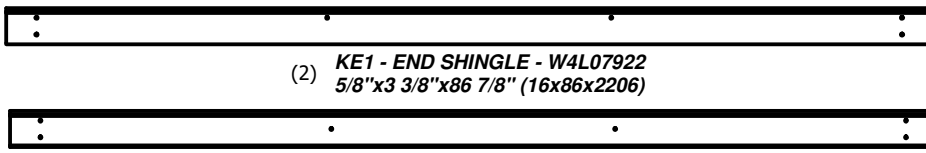


FIG. 3



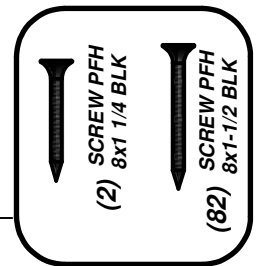
**EXTERIOR VIEW
(RIGHT EXTENDED ROOF)
LARGE FORT**





(2) KE1 - END SHINGLE - W4L07922
5/8"x3 3/8"x86 7/8" (16x86x2206)

(12) KP1 - SHINGLE - W4L07921
5/8"x3 3/8"x86 7/8" (16x86x2206)



(2) SCREW PFH 8x1 1/4 BLK

(82) SCREW PFH 8x1-1/2 BLK

STEP 35

FIG. 1

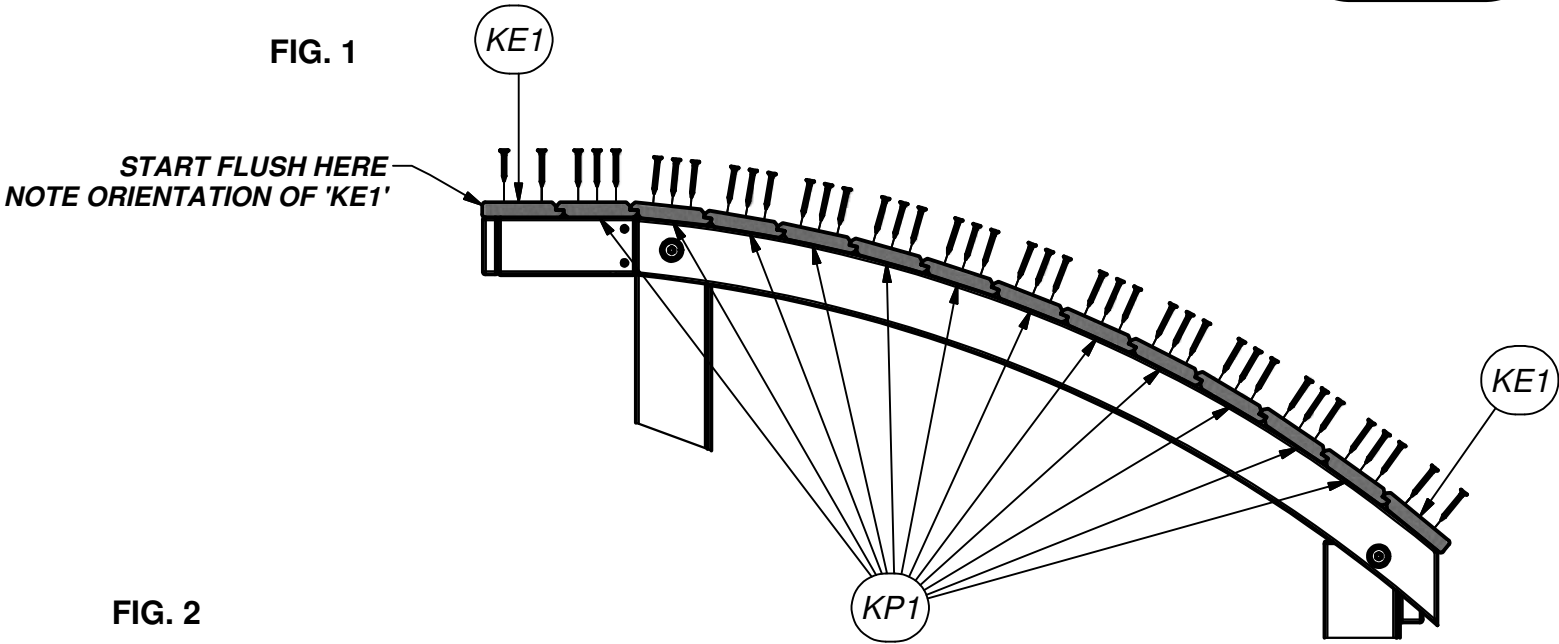
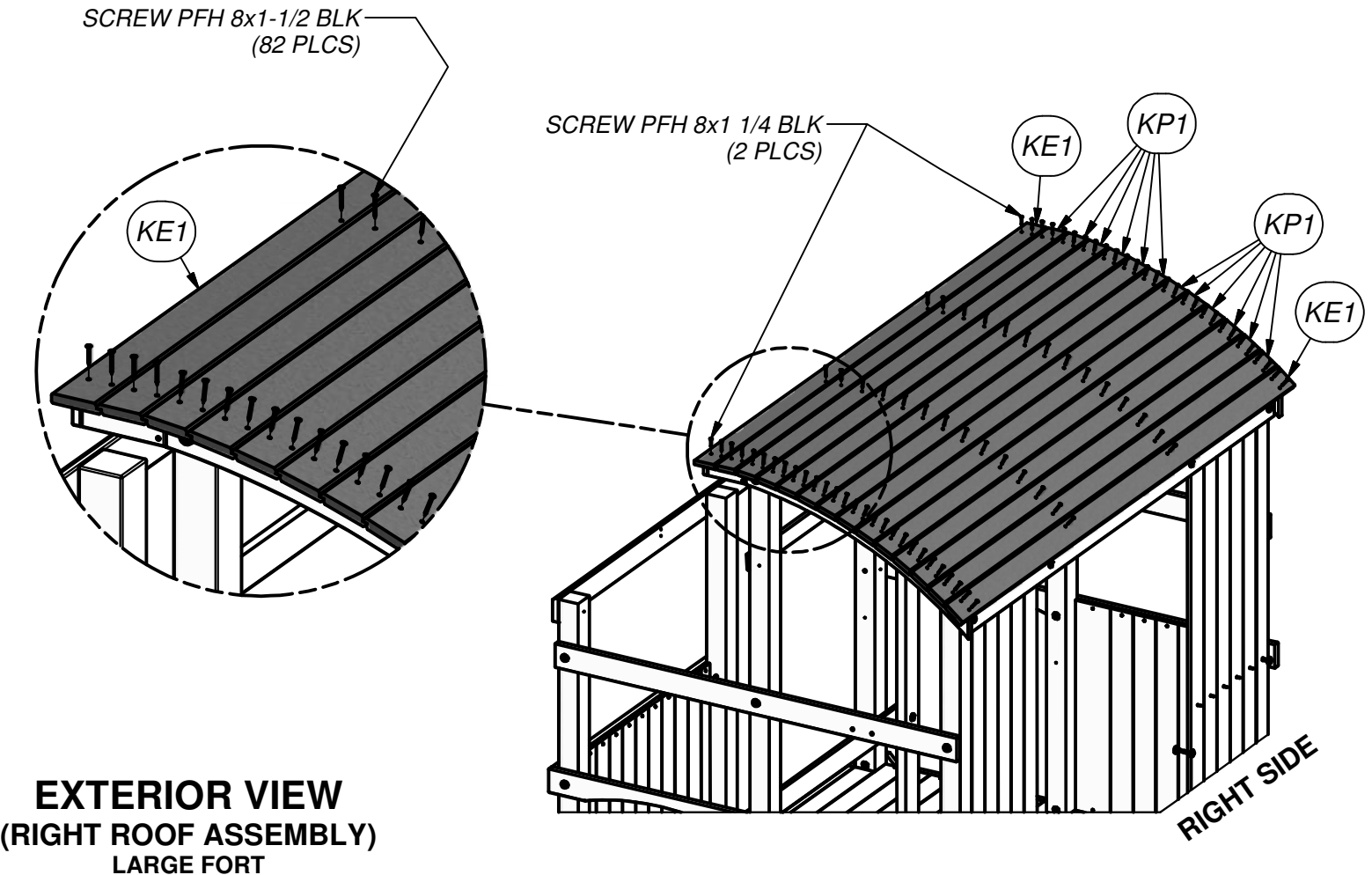


FIG. 2

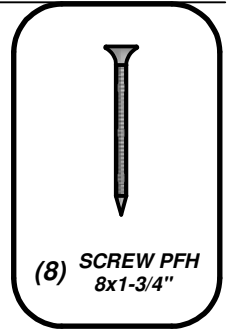
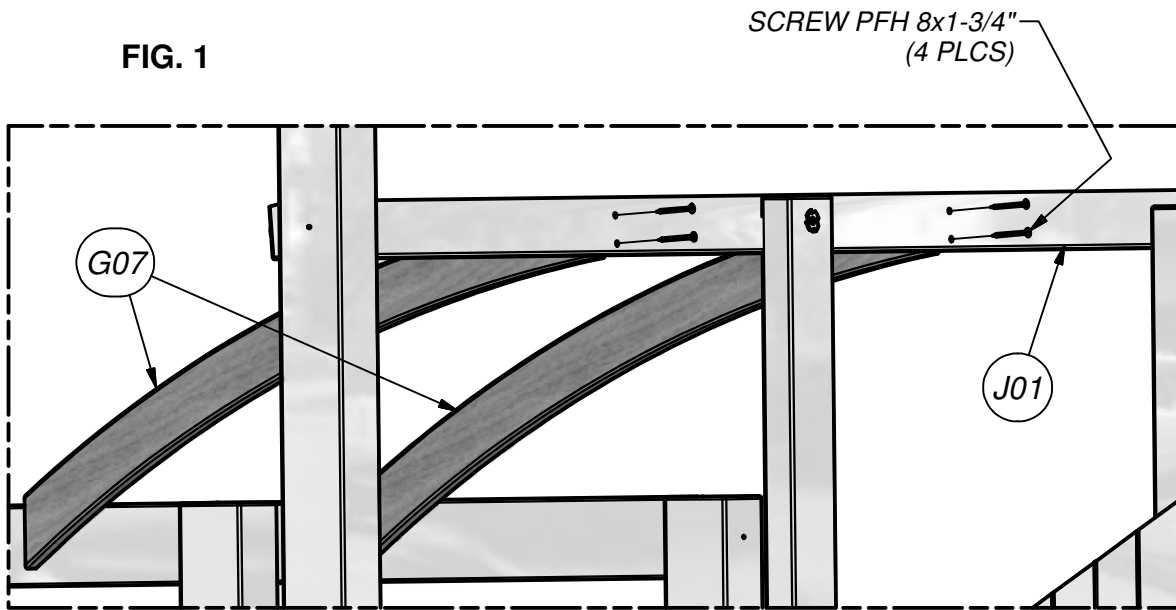




(2) G07 - ROOF TRUSS - W4L07923
1"x5 1/4"x31 9/16" (24x134x802)

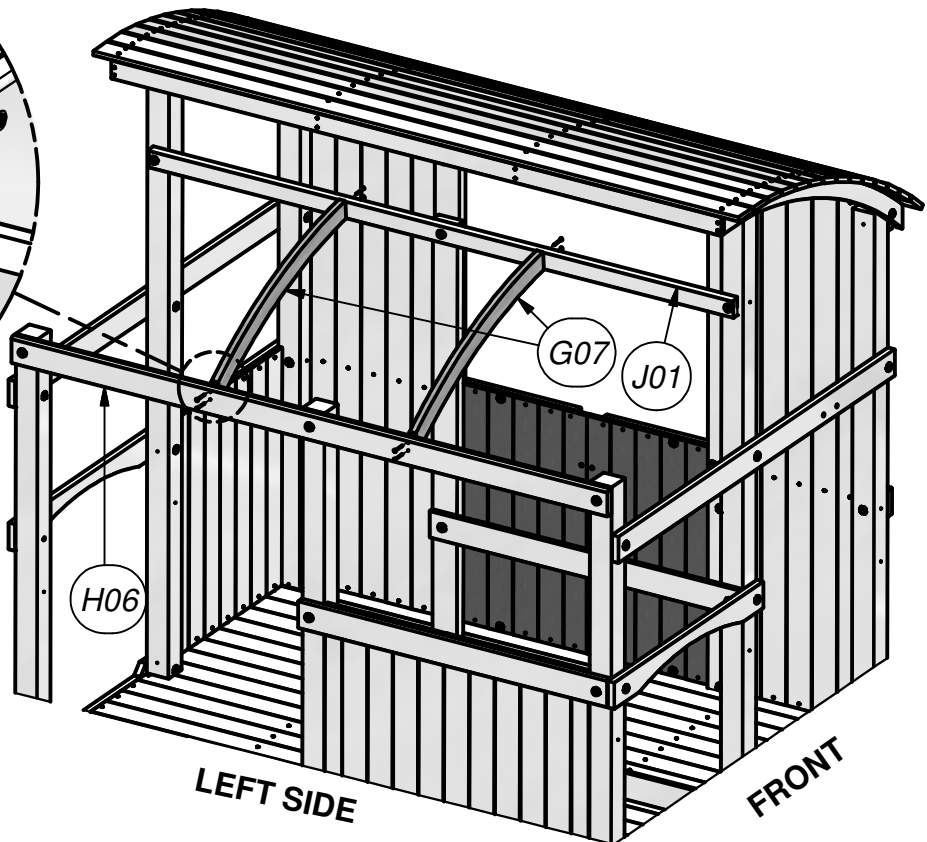
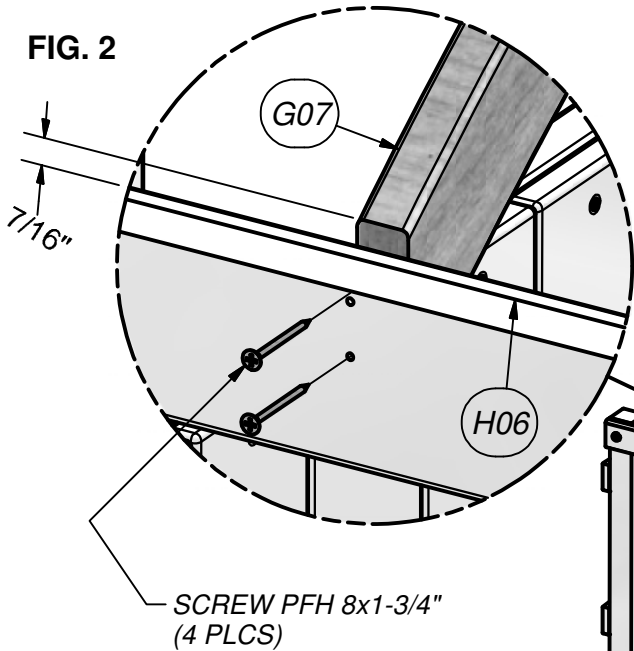
STEP 36

FIG. 1



INTERIOR VIEW
(LEFT CENTER TRUSS ATTACHMENT)
LARGE FORT

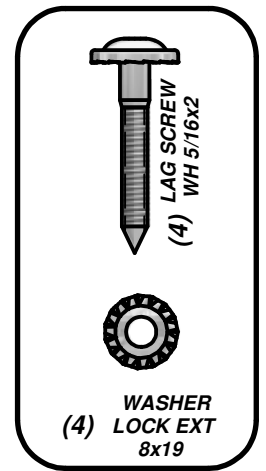
FIG. 2



EXTERIOR VIEW
(LEFT CENTER ROOF TRUSSES)
LARGE FORT



(2) G05 - ROOF TRUSS - W4L07919
1"x5 1/4"x37 1/8" (24x134x942)



STEP 37

FIG. 1

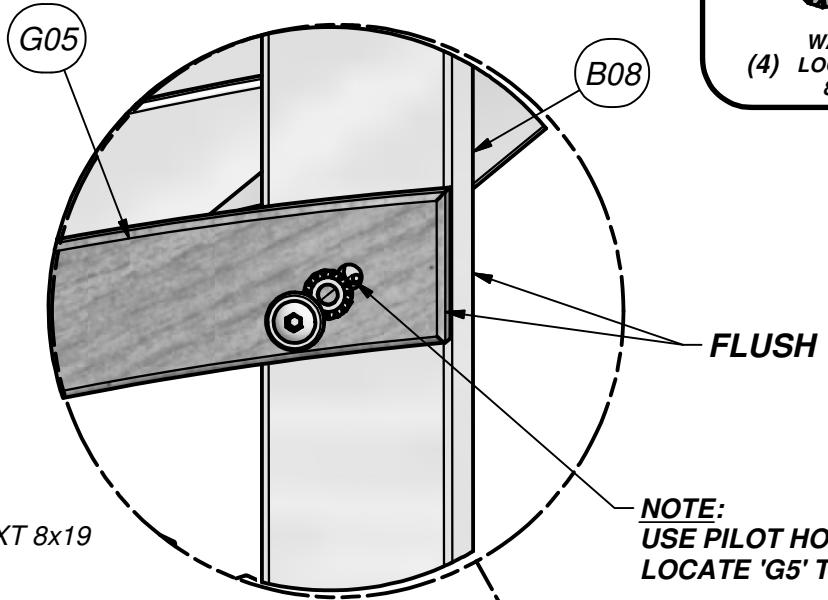
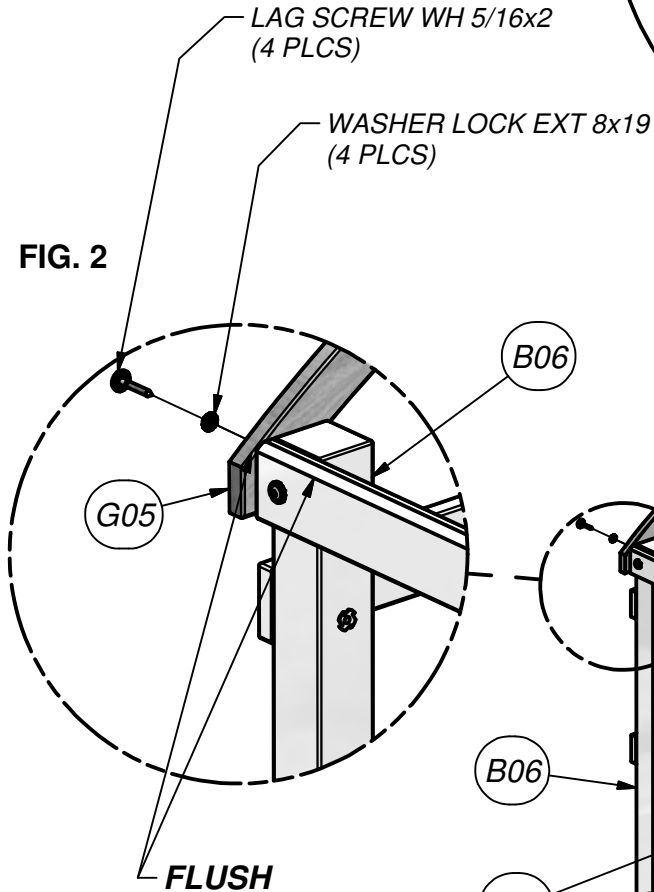
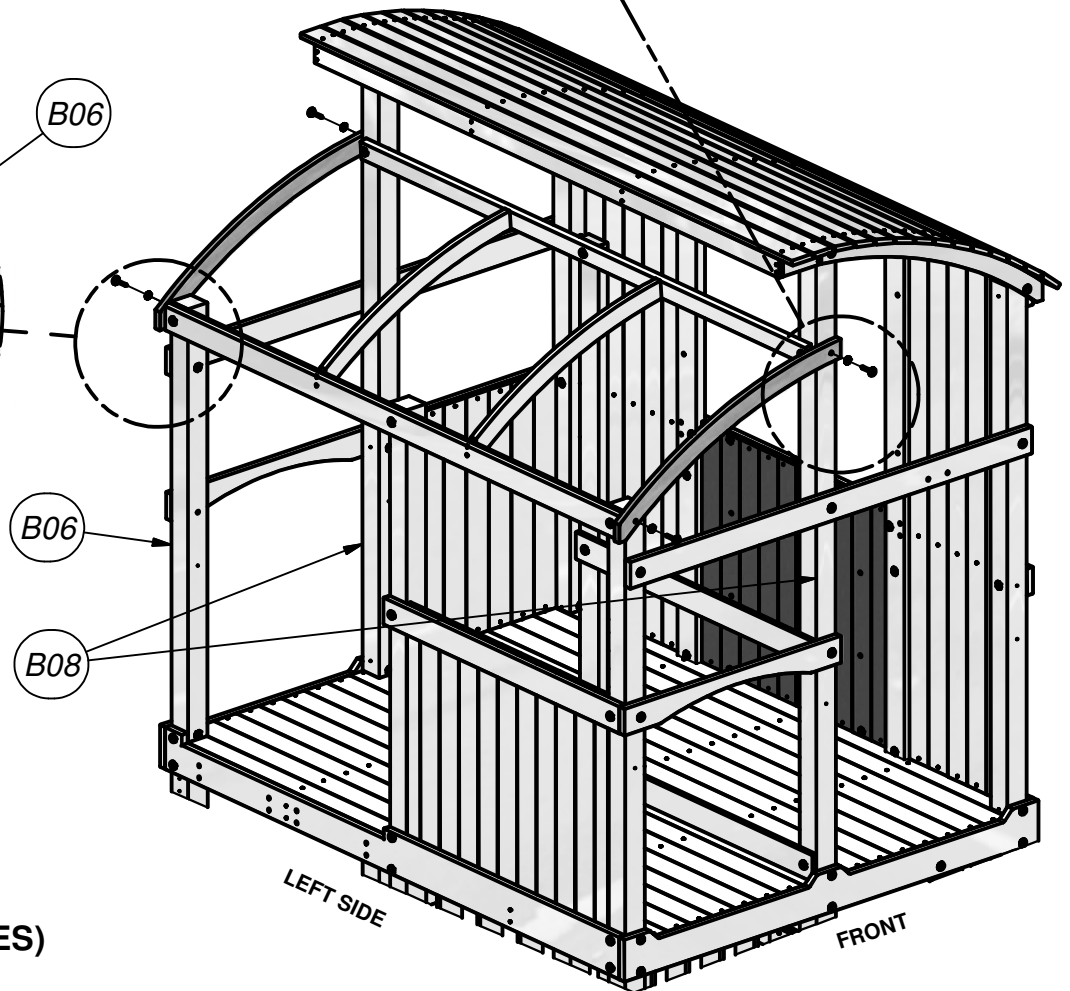


FIG. 2



**EXTERIOR VIEW
(LEFT OUTER ROOF TRUSSES)
LARGE FORT**





(1) KE1 - END SHINGLE - W4L07922
5/8"x3 3/8"x86 7/8" (16x86x2206)



(1) KE2 - END SHINGLE - W4L07929
5/8"x3"x86 7/8" (16x86x2206)



(9) KP1 - SHINGLE - W4L07921
5/8"x3 3/8"x86 7/8" (16x86x2206)

STEP 38



FIG. 1

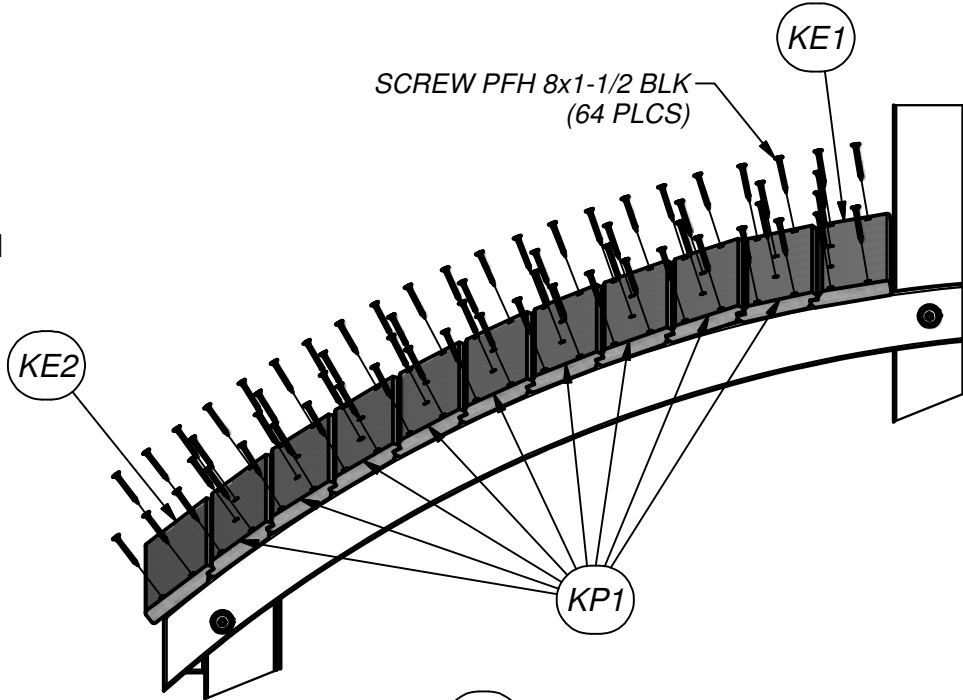
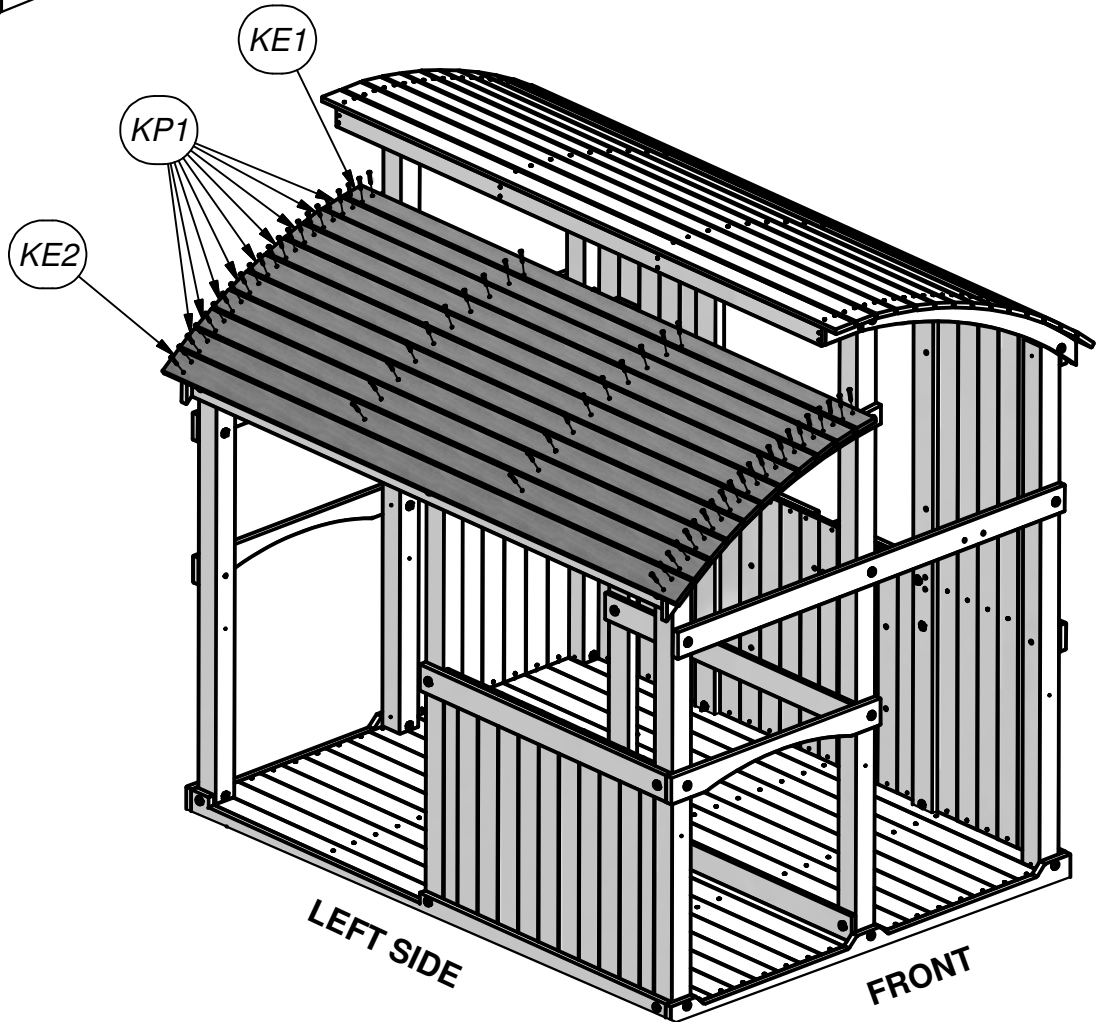
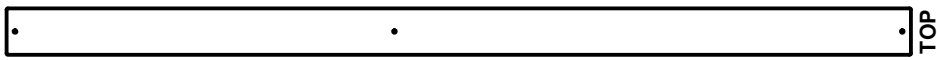


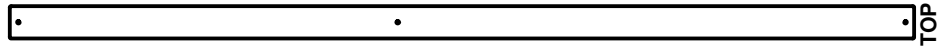
FIG. 2



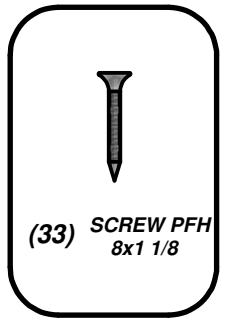
EXTERIOR VIEW
(LEFT ROOF LINE)
LARGE FORT



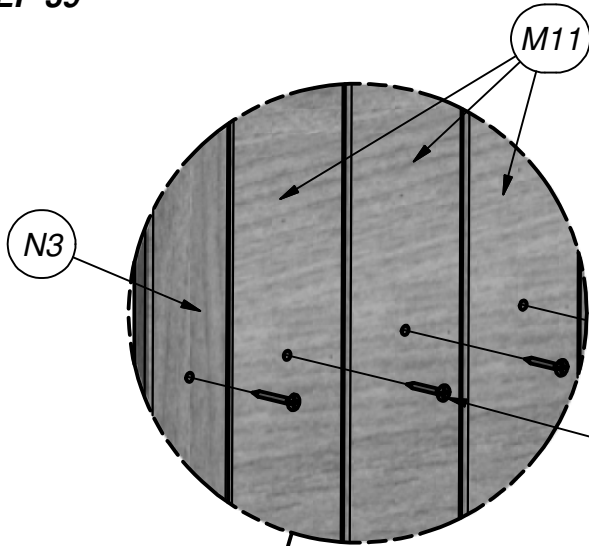
(9) M11 - WALL BOARD - W4L07914
5/8"x3 3/8"x66" (16x86x1676)



(2) N3 - WALL BOARD - W4L07918
5/8"x2 3/8"x66" (16x60x1676)



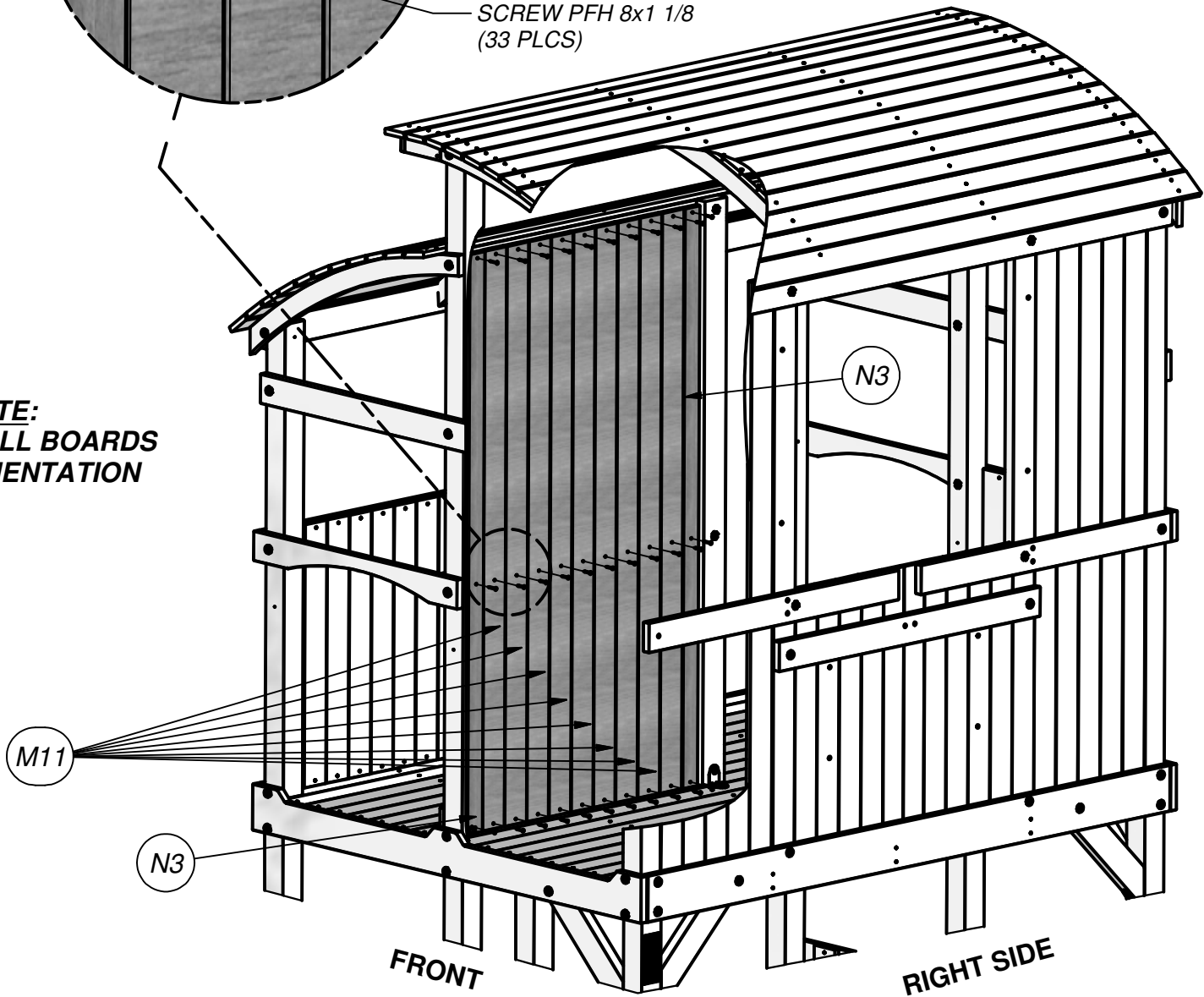
STEP 39




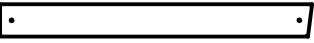


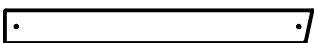


NOTE:
WALL BOARDS
EVENLY SPACED

SCREW PFH 8x1 1/8
(33 PLCS)

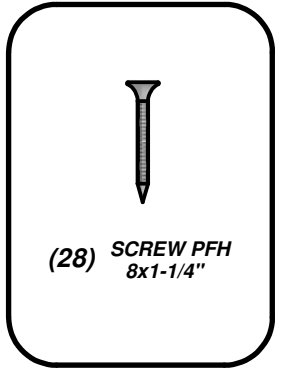
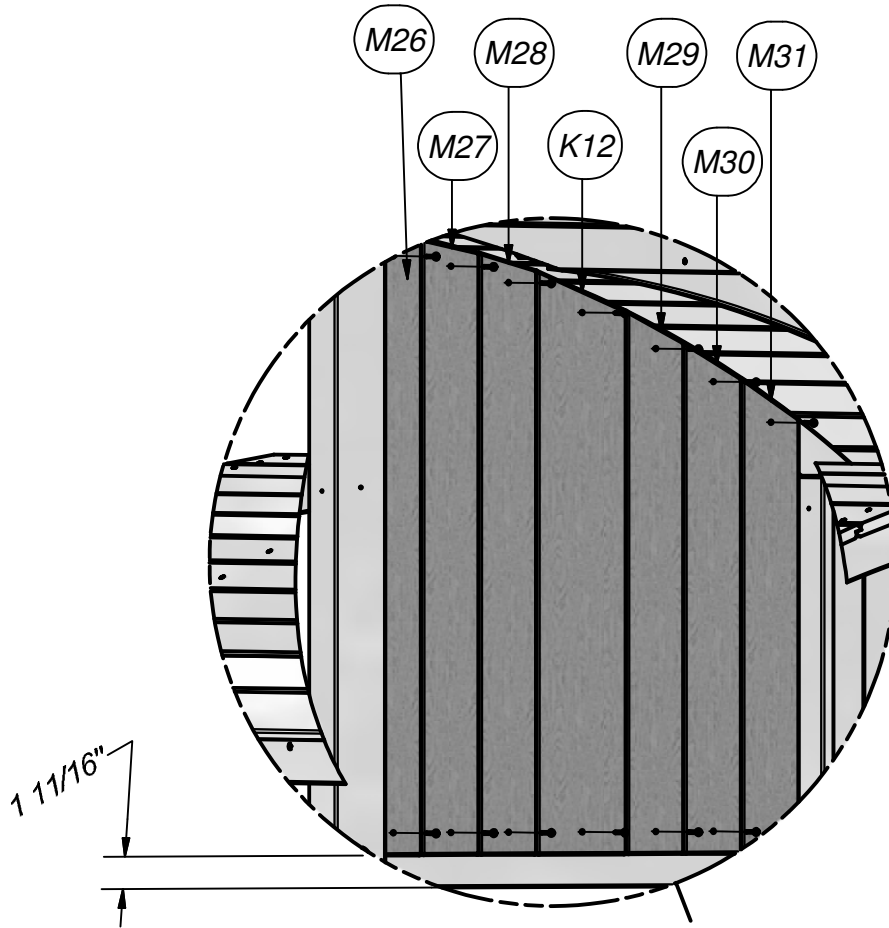
NOTE:
WALL BOARDS
ORIENTATION



**INTERIOR VIEW
(CENTER WALL)
LARGE FORT**

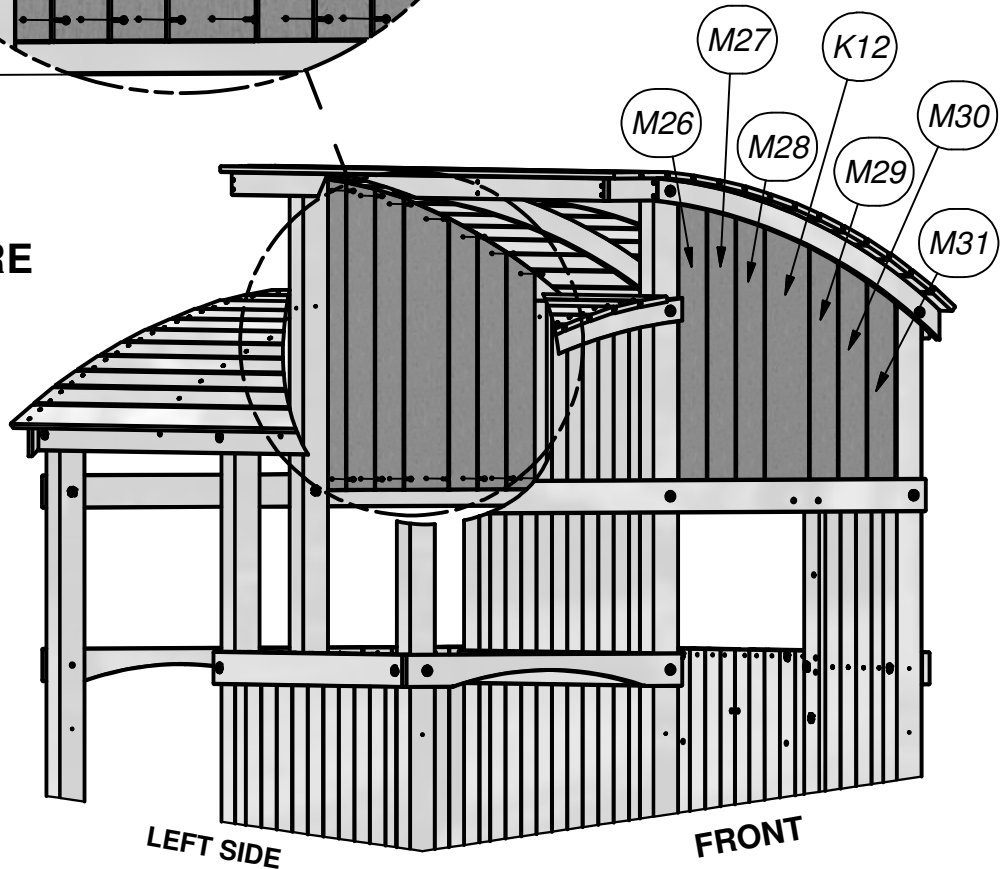
- | | | | | | | | |
|--|--|---|---|--|---|---|---|
|  | (2) K12 - WALL BOARD - W4L08009
5/8"x5 1/4"x30 3/8" (16x134x772) |  | (2) M26 - WALL BOARD - W4L08006
5/8"x3 3/8"x32 1/2" (16x86x826) |  | (2) M28 - WALL BOARD - W4L08008
5/8"x3 3/8"x31 3/8" (16x86x796) |  | (2) M29 - WALL BOARD - W4L08010
5/8"x3 3/8"x28 1/4" (16x86x718) |
| | |  | (2) M27 - WALL BOARD - W4L08007
5/8"x3 3/8"x32" (16x86x814) |  | (2) M30 - WALL BOARD - W4L08011
5/8"x3 3/8"x26 5/8" (16x86x676) |  | (2) M31 - WALL BOARD - W4L08012
5/8"x3 3/8"x24 3/4" (16x86x628) |

STEP 40



NOTE:
WALL BOARDS
EVENLY SPACED


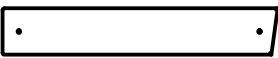
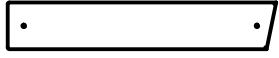
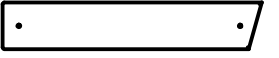
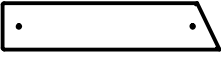
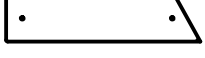
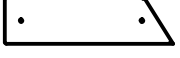
NOTE:
REPEAT FOR FRONT
UPPER WALL ENCLOSURE



INTERIOR VIEW
(BACK UPPER RIGHT PANEL)
LARGE FORT

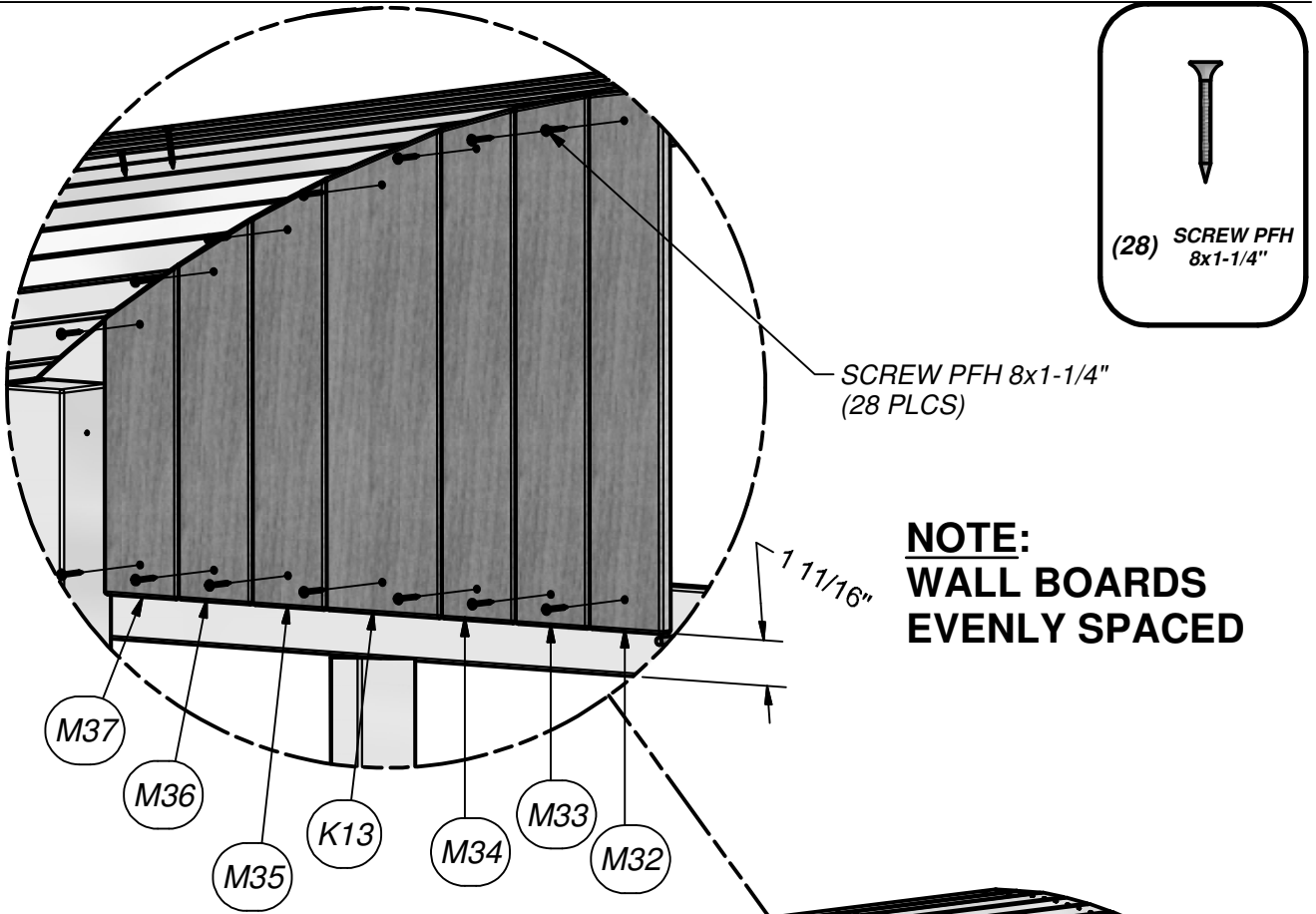
LEFT SIDE

FRONT

- (2)  **K13 - WALL BOARD - W4L08016**
5/8"x5 1/4"x18" (16x134x456)
- (2)  **M32 - WALL BOARD - W4L08013**
5/8"x3 3/8"x20 1/8" (16x86x510)
- (2)  **M33 - WALL BOARD - W4L08014**
5/8"x3 3/8"x19 5/8" (16x86x498)
- (2)  **M34 - WALL BOARD - W4L08015**
5/8"x3 3/8"x18 7/8" (16x86x480)
- (2)  **M35 - WALL BOARD - W4L08017**
5/8"x3 3/8"x15 7/8" (16x86x402)
- (2)  **M36 - WALL BOARD - W4L08018**
5/8"x3 3/8"x14 1/8" (16x86x360)
- (2)  **M37 - WALL BOARD - W4L08019**
5/8"x3 3/8"x12 1/4" (16x86x312)

STEP 41

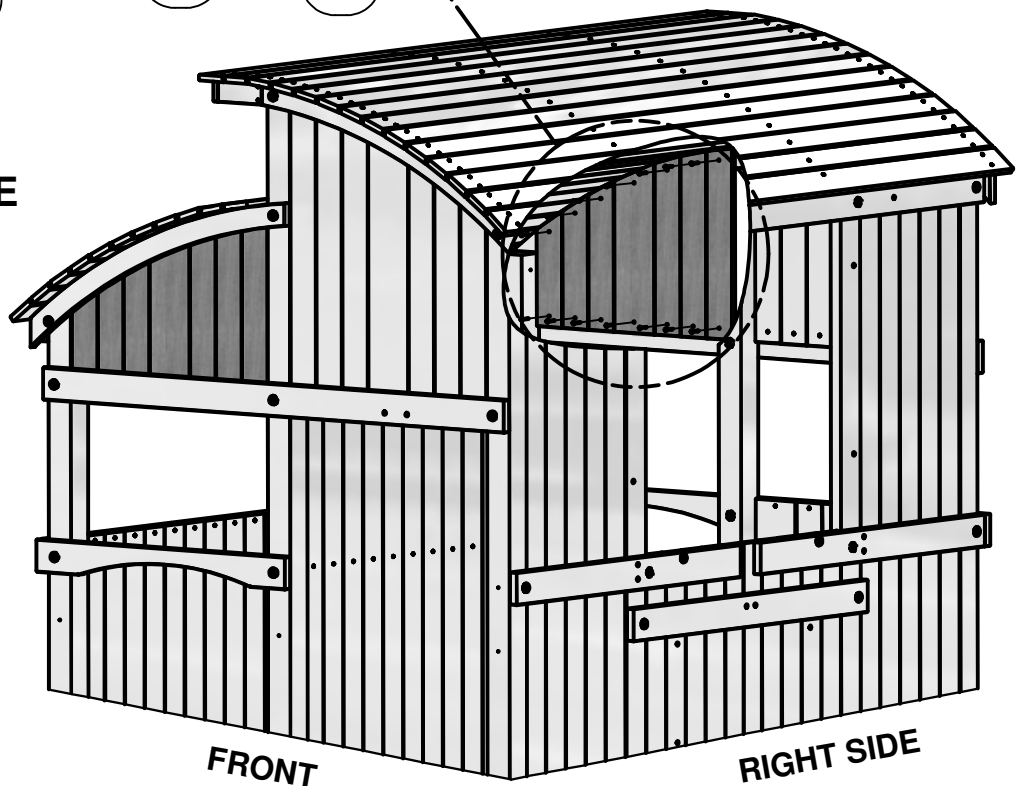
FIG. 1



NOTE:
WALL BOARDS
EVENLY SPACED

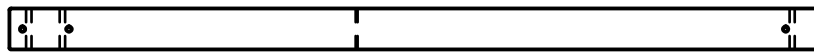
NOTE:
REPEAT FOR FRONT
UPPER WALL ENCLOSURE

INTERIOR VIEW
(BACK UPPER LEFT PANEL)



FRONT

RIGHT SIDE



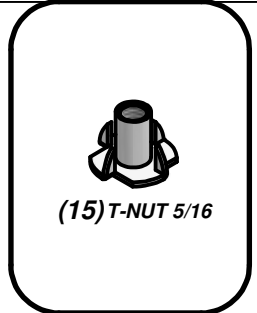
(2) B10 - UPRIGHT - W4L07939
3"x3"x59" (76x76x1500)



(1) B12 - UPRIGHT - W4L07940
3"x3"x59" (76x76x1500)

STEP 42

**NOTE:
UPRIGHT ORIENTATION**



T-NUT 5/16
(15 PLCS)

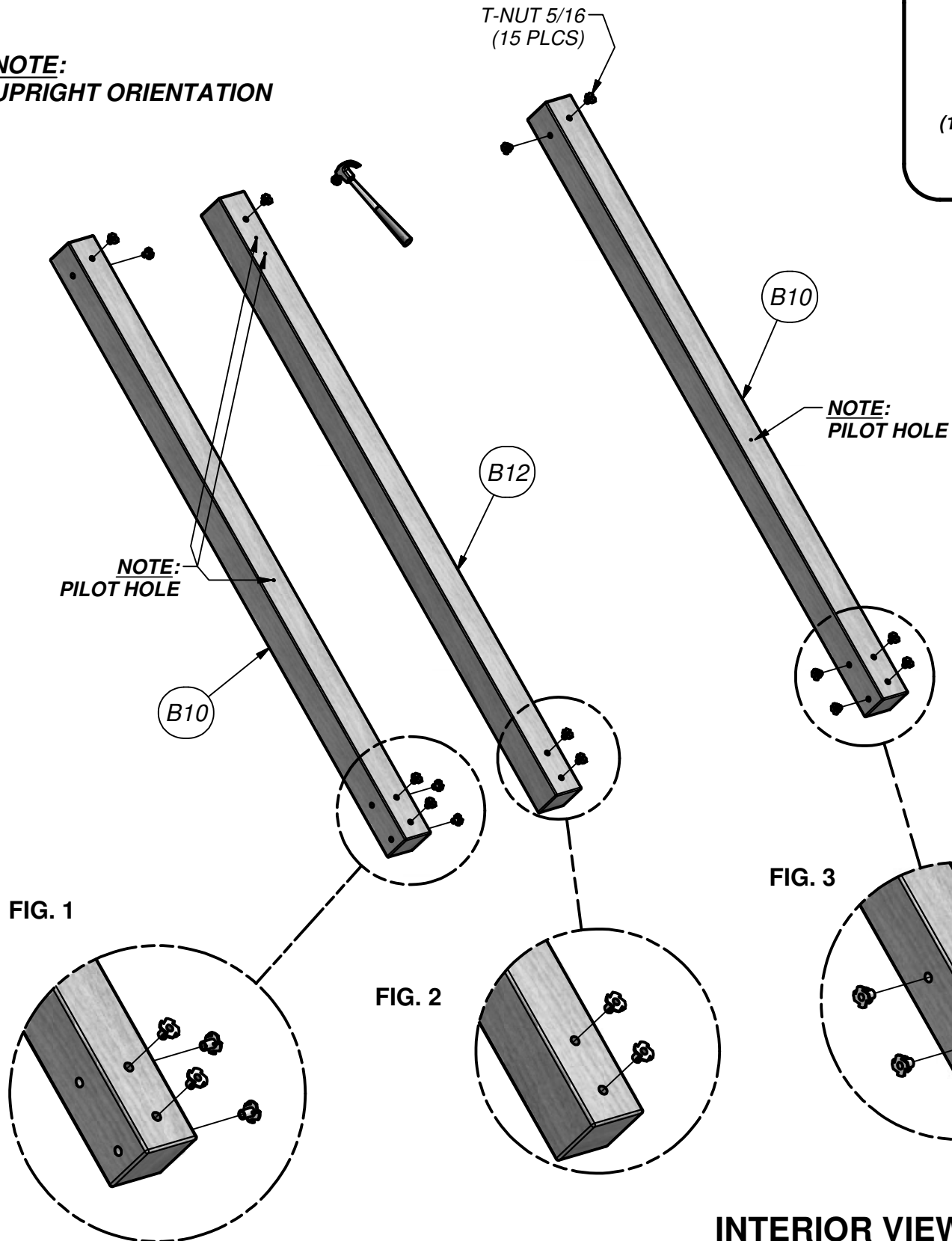
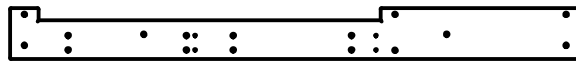


FIG. 1

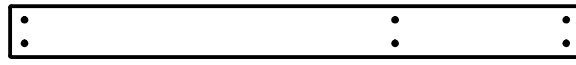
FIG. 2

FIG. 3

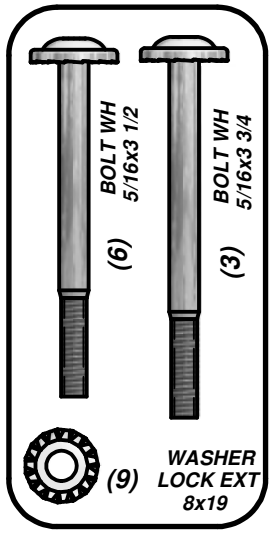
**INTERIOR VIEW
(RIGHT UPRIGHTS SMALL FORT)**



(1) G10 - DECK RAIL - W4L07946
1"x5 1/4"x59 1/2" (24x134x1510)



(1) K04 - GROUND BOARD - W4L07935
5/8"x5 1/4"x59 1/2" (16x134x1510)



STEP 43

FIG. 1

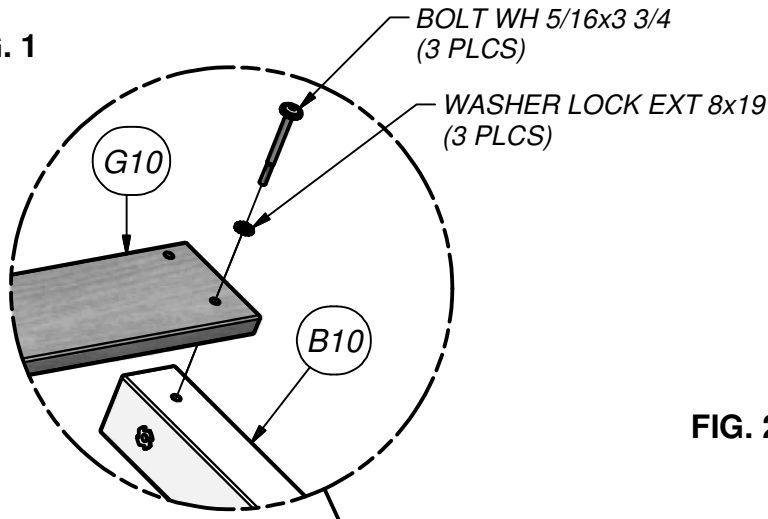
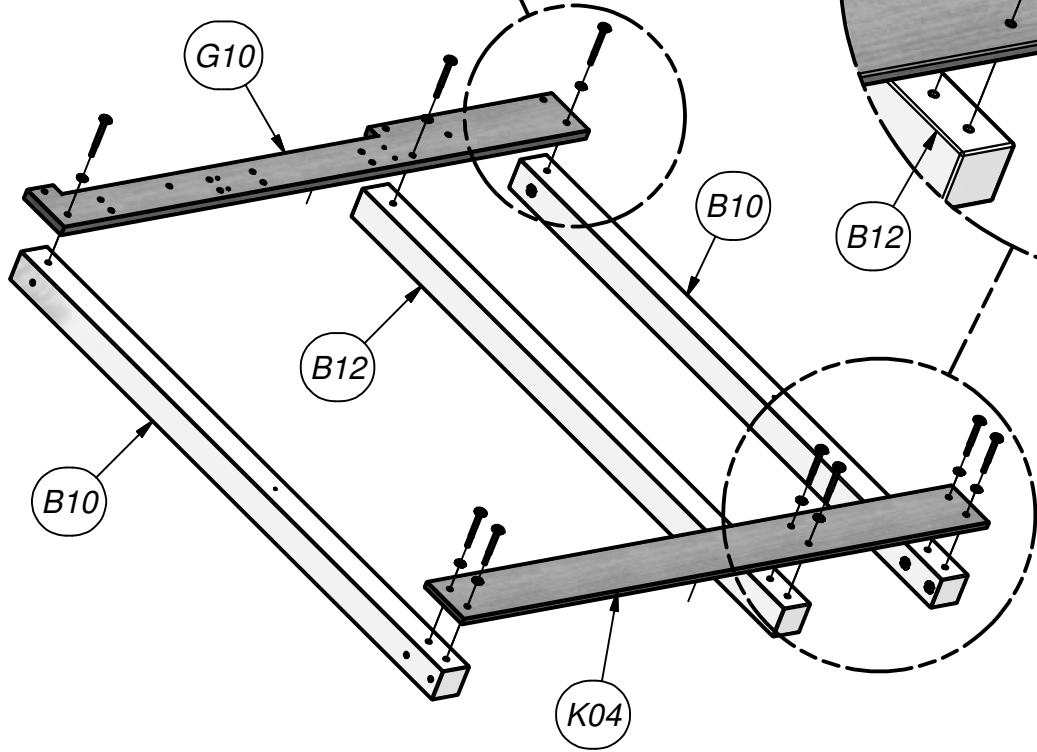
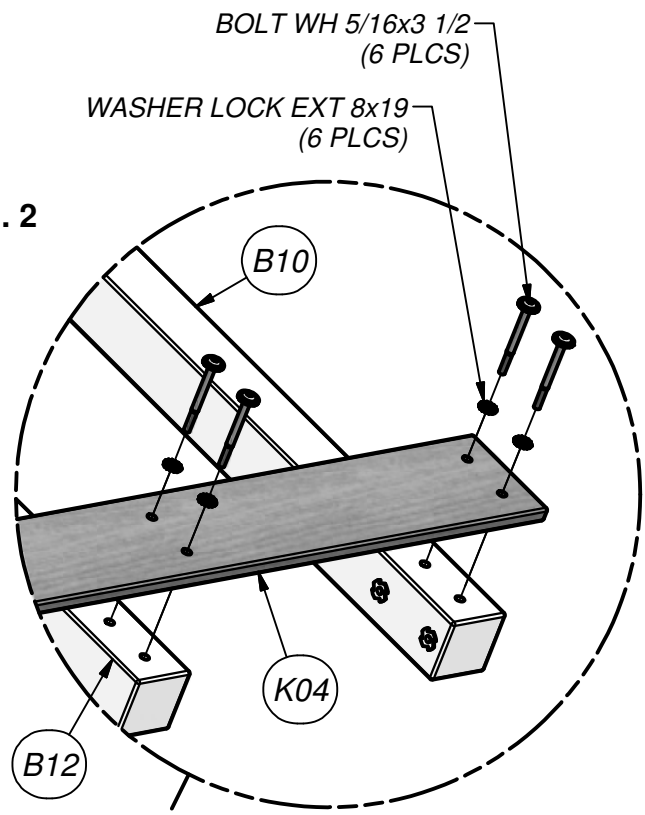


FIG. 2



**EXTERIOR VIEW
(RIGHT SIDE SMALL FORT)**





(2) **B10 - UPRIGHT - W4L07939**
3"x3"x59" (76x76x1500)

STEP 44

NOTE:
UPRIGHT ORIENTATION



(12) T-NUT 5/16

FIG. 1

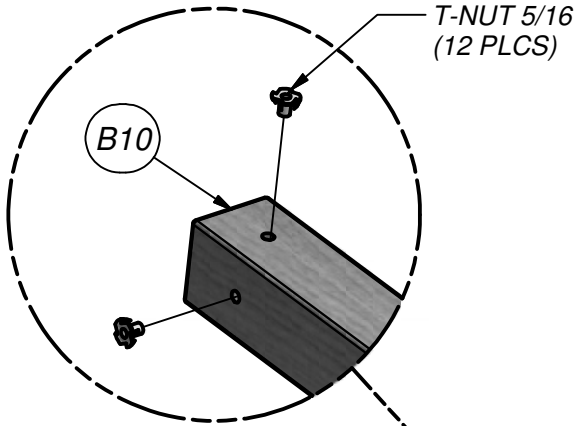
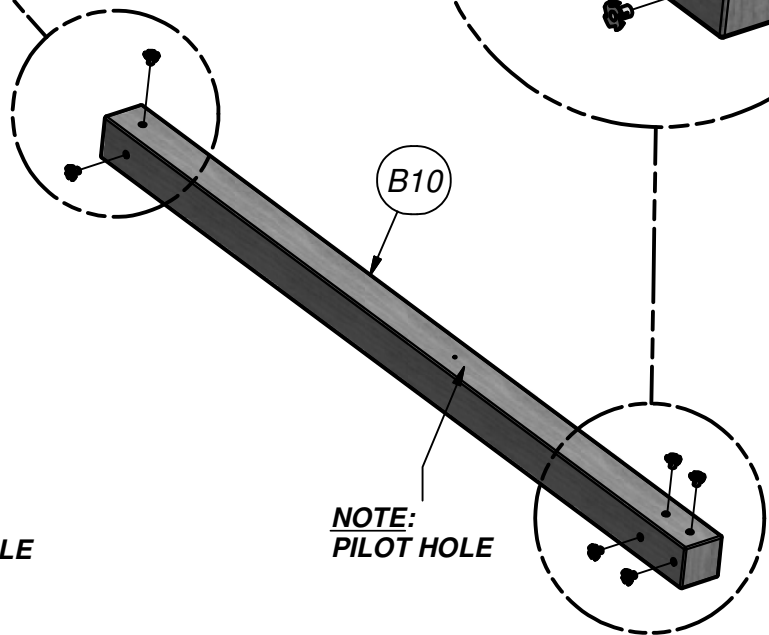
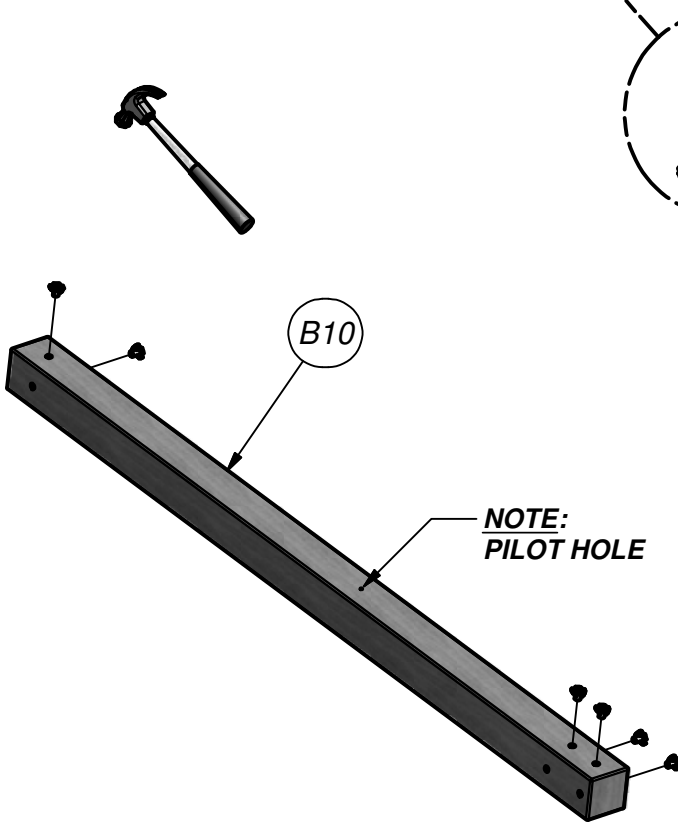
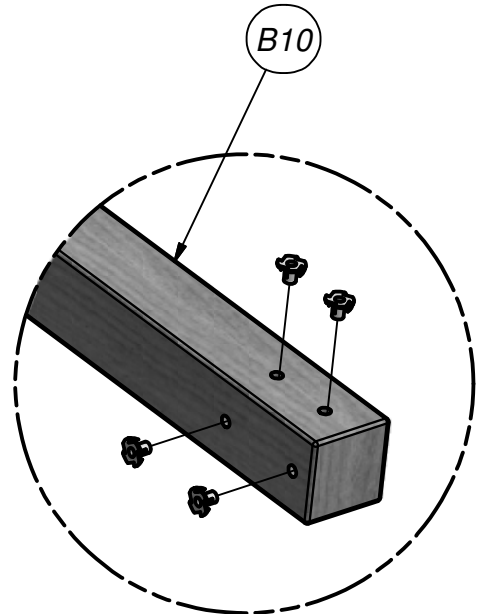
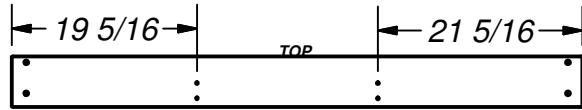


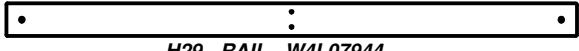
FIG. 2



INTERIOR VIEW
(MIDDLE UPRIGHTS SMALL FORT)



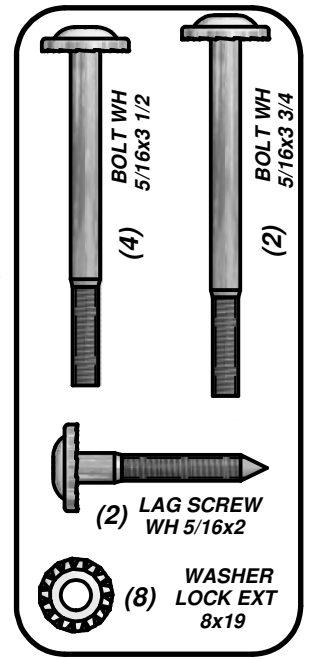
(1) **G12 - DECK RAIL - W4L07949**
 1"x5 1/4"x59 1/2" (24x134x1510)



(1) **H29 - RAIL - W4L07944**
 1"x3 3/8"x59 1/2" (24x86x1510)



(1) **K06 - GROUND BOARD - W4L07936**
 5/8"x5 1/4"x59 1/2" (16x134x1510)



STEP 45

LAG SCREW WH 5/16x2
 (2 PLCS)

BOLT WH 5/16x3 3/4
 (2 PLCS)

WASHER LOCK EXT 8x19
 (2 PLCS)

FIG. 2

WASHER LOCK
 EXT 8x19
 (2 PLCS)

FIG. 1

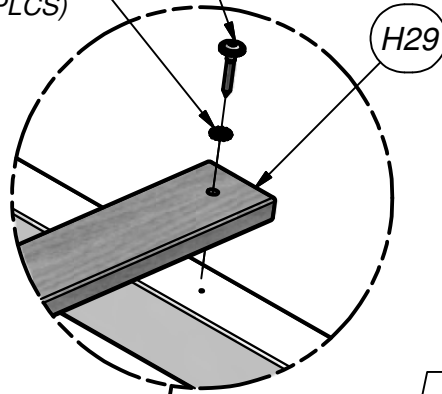
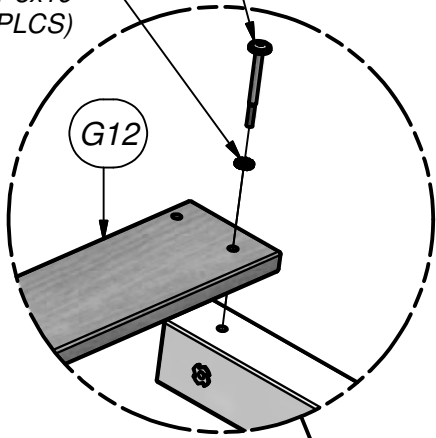
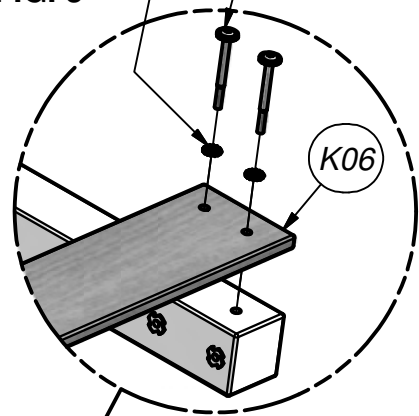


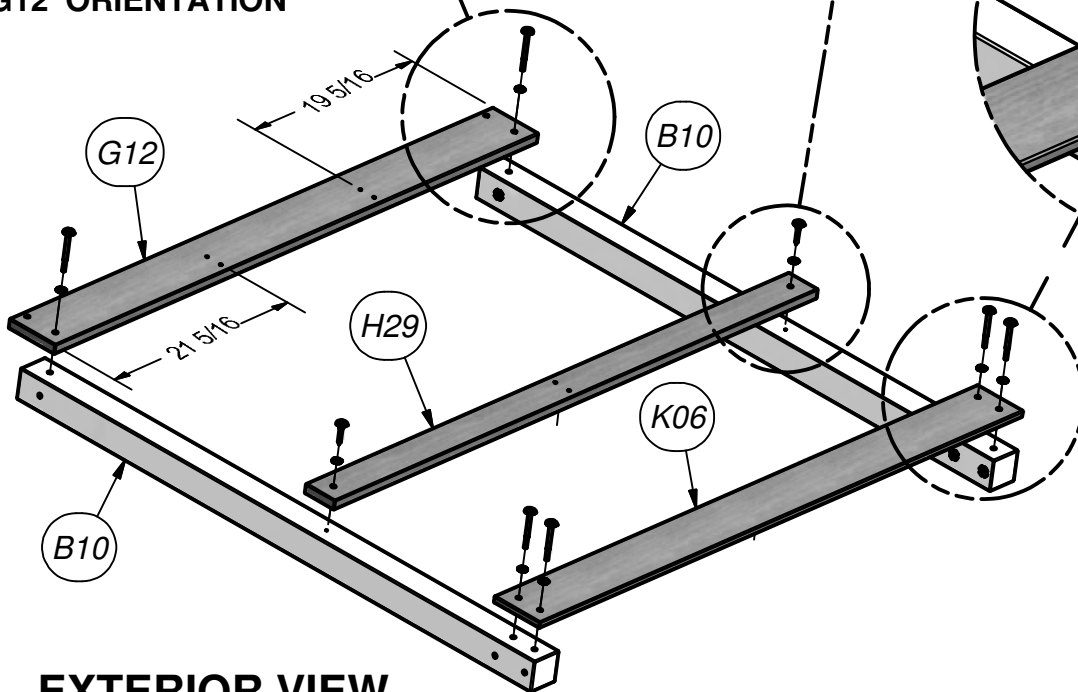
FIG. 3

WASHER LOCK EXT 8x19
 (4 PLCS)

BOLT WH 5/16x3 1/2
 (4 PLCS)

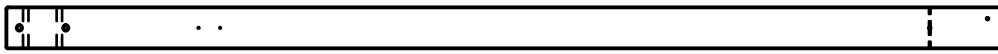


NOTE:
 'G12' ORIENTATION



EXTERIOR VIEW
 (MIDDLE WALL RIGHT SIDE)
 SMALL FORT





(1) **B11 - UPRIGHT - W4L07938**
3"x3"x72 3/4" (76x76x1848)



(1) **B15 - UPRIGHT - W4L08411**
3"x3"x72 3/4" (76x76x1848)



(1) **B13 - UPRIGHT - W4L07942**
3"x3"x16 1/2" (76x76x420)

STEP 46

NOTE:
'B11' and 'B15'
ORIENTATION



FIG. 1

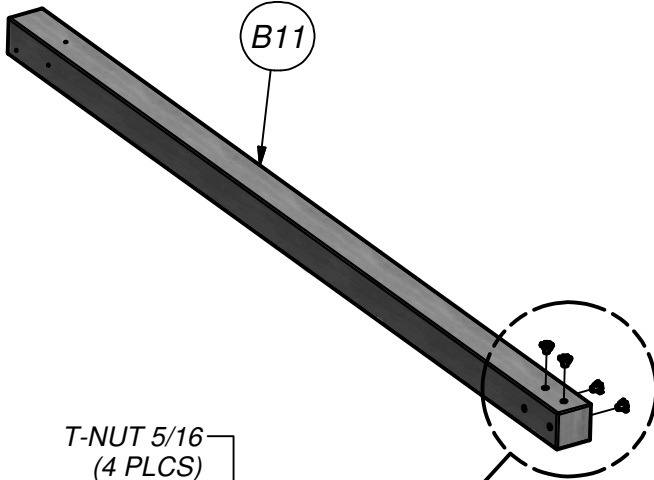
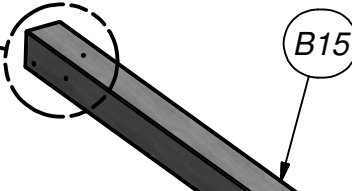
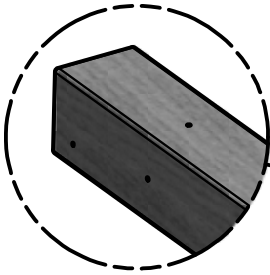


FIG. 2

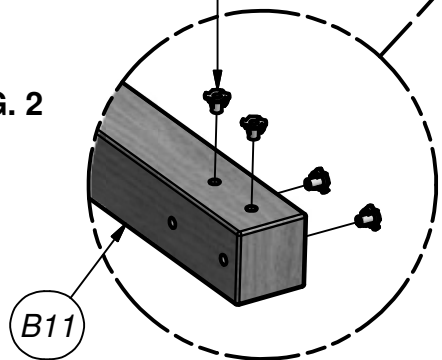


FIG. 3

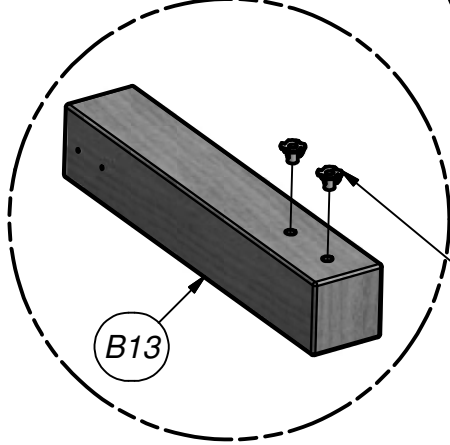
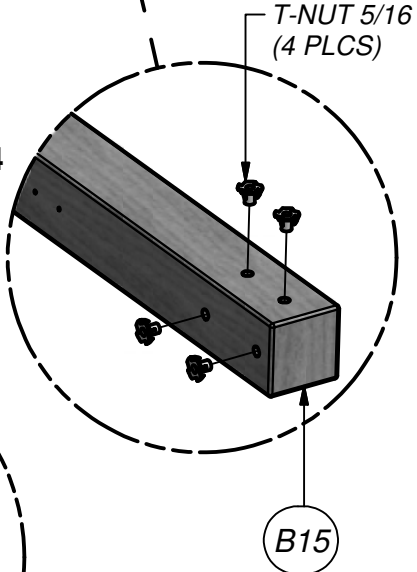


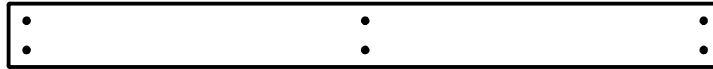
FIG. 4



INTERIOR VIEW
(LEFT SIDE UPRIGHTS)
SMALL FORT



(1) M52 - WALL RAIL - W4L07972
5/8"x3 3/8"x59 1/2" (16x86x1510)



(1) K05 - GROUND BOARD - W4L07941
5/8"x5 1/4"x59 1/2" (16x134x1510)

STEP 47

FIG. 1

LAG SCREW WH 5/16x2
(2 PLCS)

WASHER LOCK EXT 8x19
(2 PLCS)

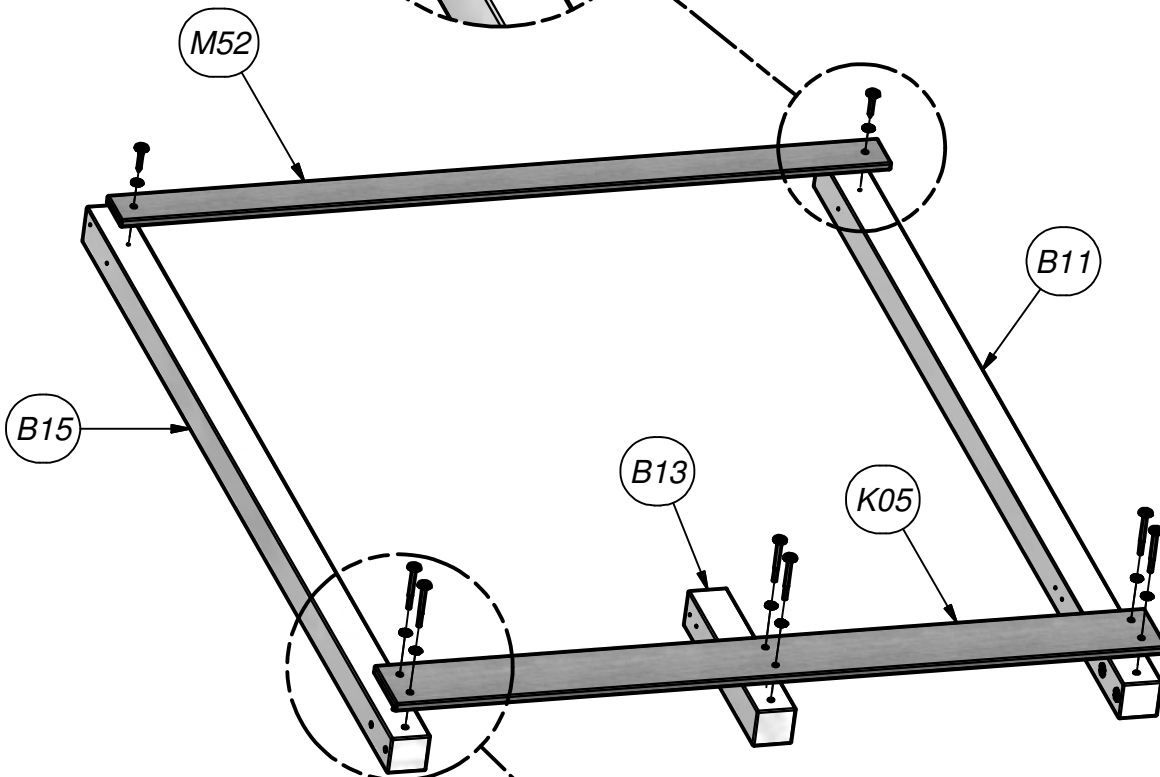
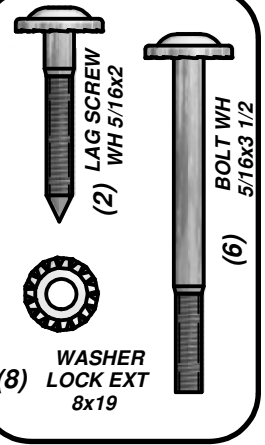
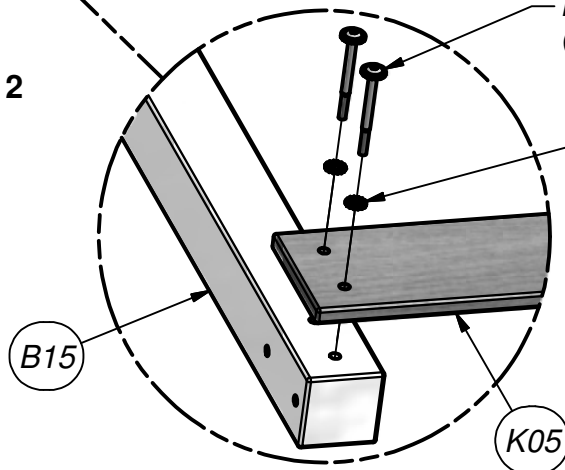


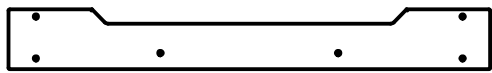
FIG. 2

BOLT WH 5/16x3 1/2
(6 PLCS)

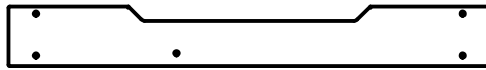
WASHER LOCK EXT 8x19
(6 PLCS)



EXTERIOR VIEW
(LEFT SIDE RAILS)
SMALL FORT



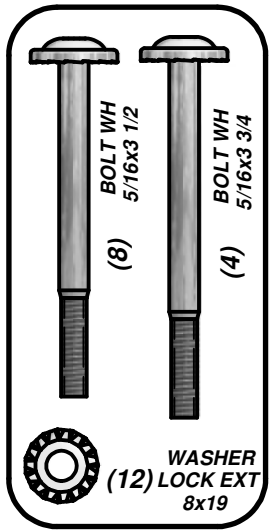
(1) G09 - DECK RAIL - W4L07947
1"x5 1/4"x42 5/8" (24x134x1084)



(1) G11 - DECK RAIL - W4L07948
1"x5 1/4"x42 5/8" (24x134x1084)

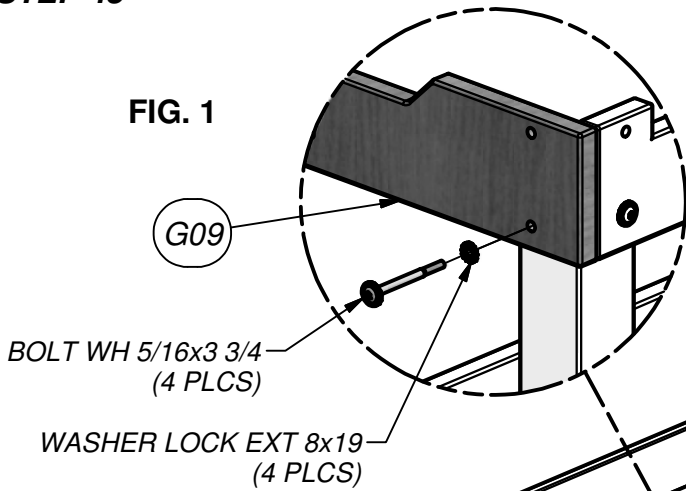


(2) K03 - GROUND BOARD - W4L07937
5/8"x5 1/4"x62 7/8" (16x134x1598)



STEP 48

FIG. 1



NOTE:
BOARD ORIENTATION

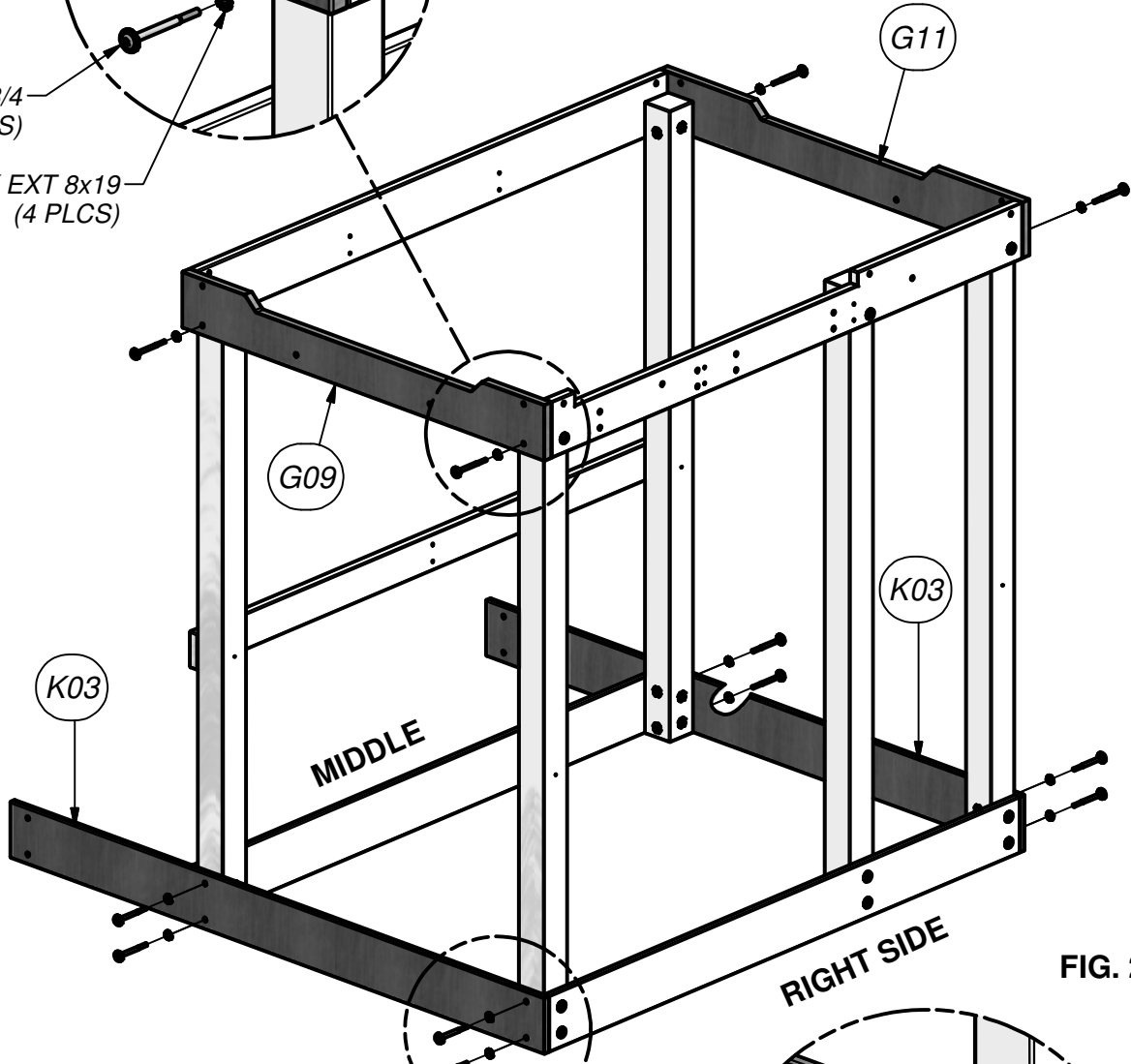


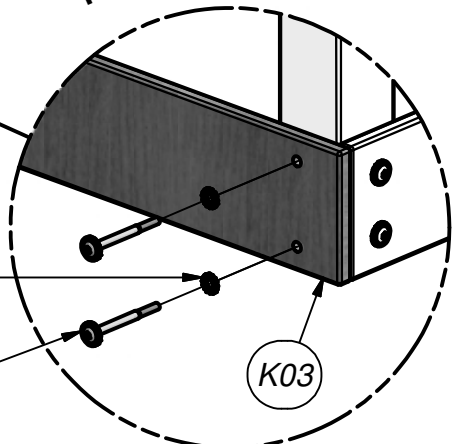
FIG. 2



**EXTERIOR VIEW
(RIGHT FRONT CORNER)
SMALL FORT**

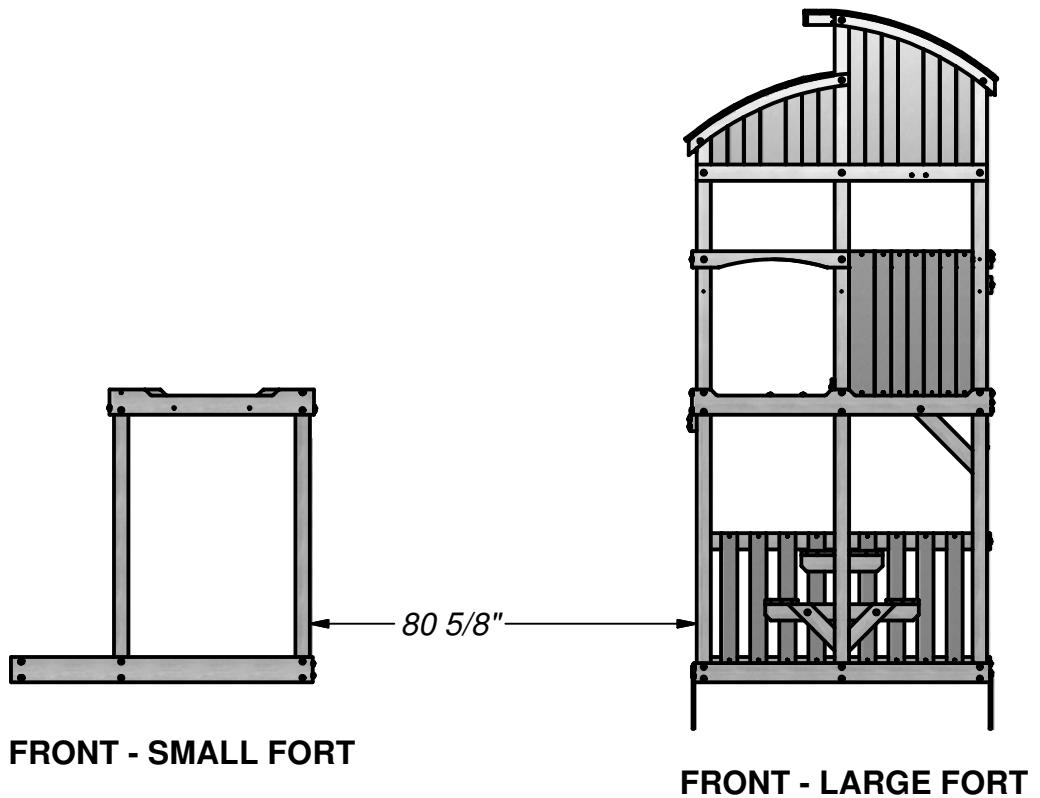
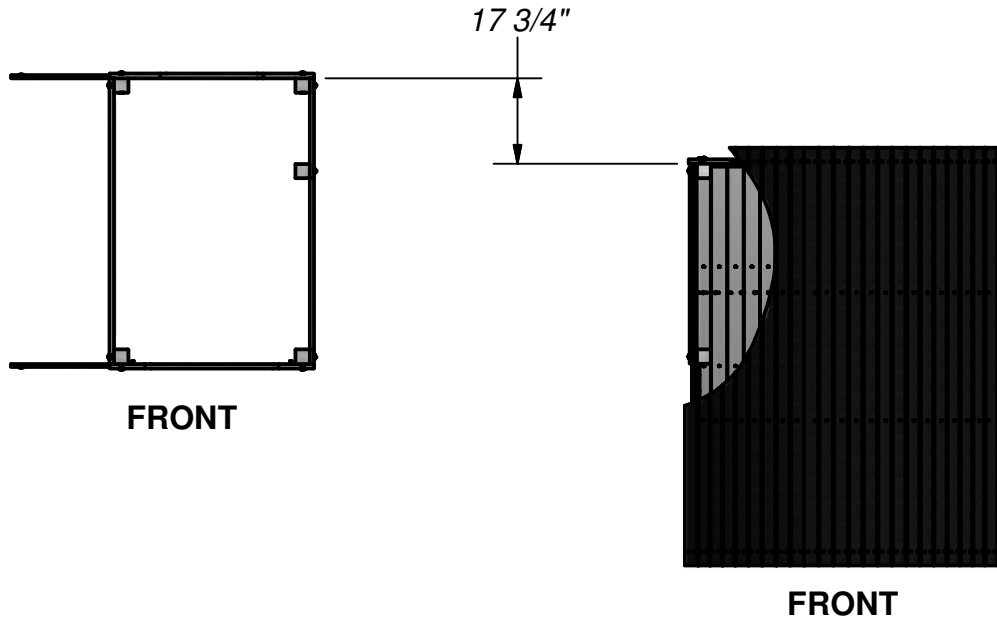
WASHER LOCK EXT 8x19
(8 PLCS)

BOLT WH 5/16x3 1/2
(8 PLCS)



STEP 49

NOTE:
POSITION SMALL FORT FRAME AS SHOWN

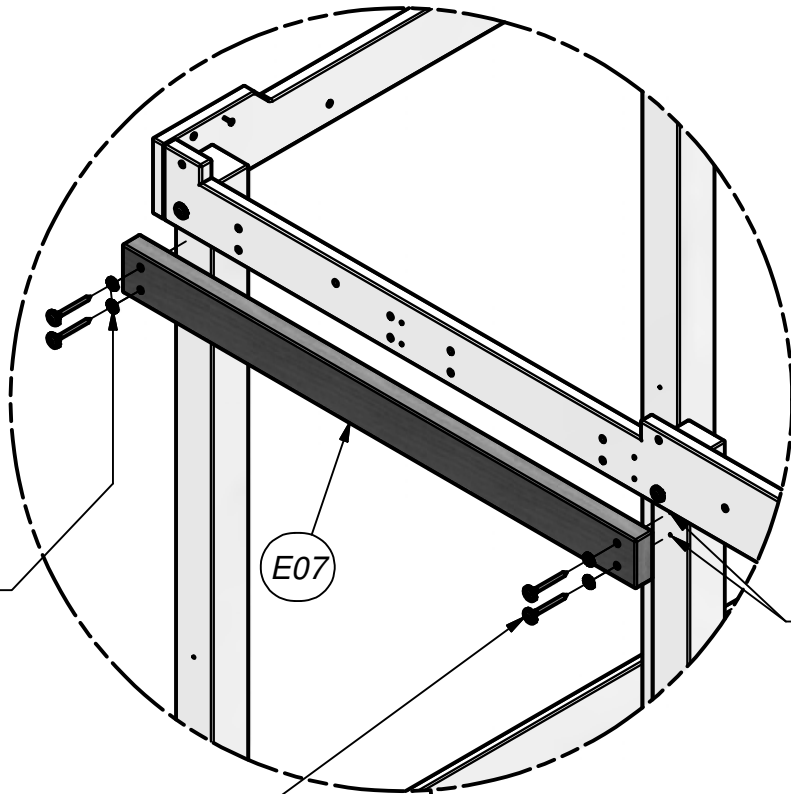
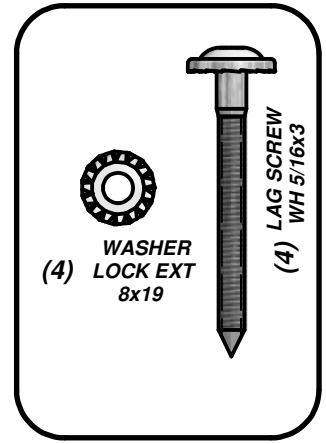


EXTERIOR VIEW
(FORT POSITIONING FOR BRIDGE)



(1) **E07 - BRIDGE SUPPORT - W4L07978**
1 3/8"x3 3/8"x41 5/8" (36x86x1057)

STEP 50

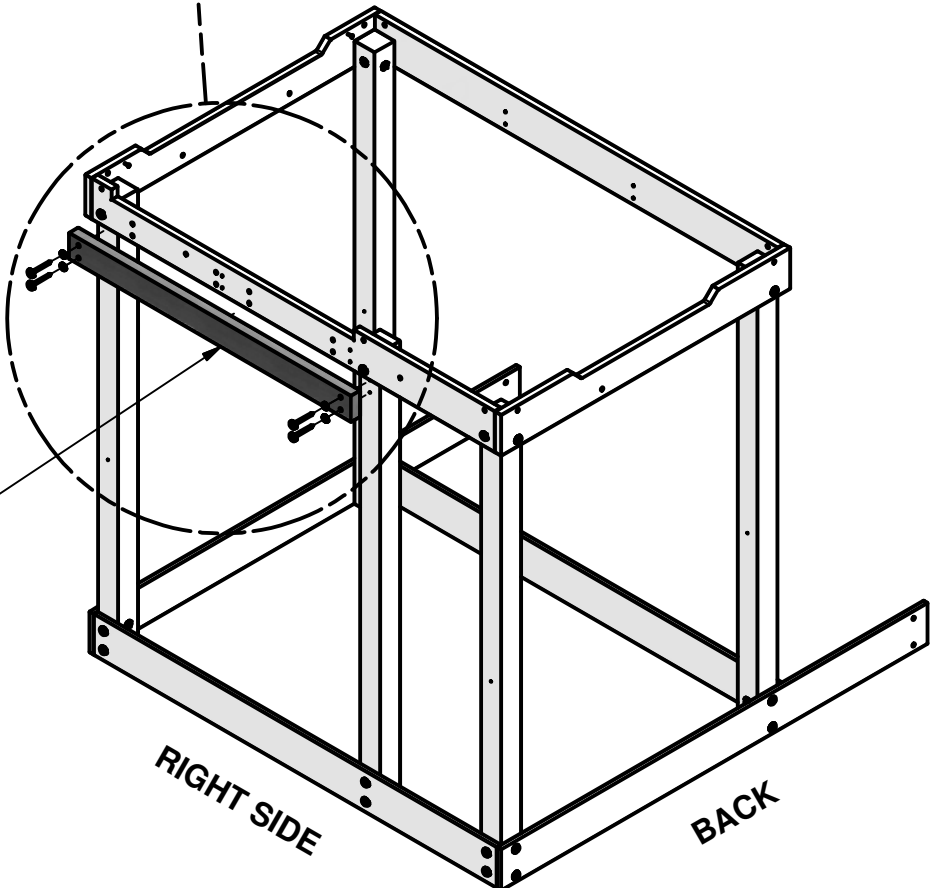


WASHER LOCK EXT 8x19
(4 PLCS)

E07

NOTE:
PILOT HOLES

LAG SCREW WH 5/16x3
(4 PLCS)



E07

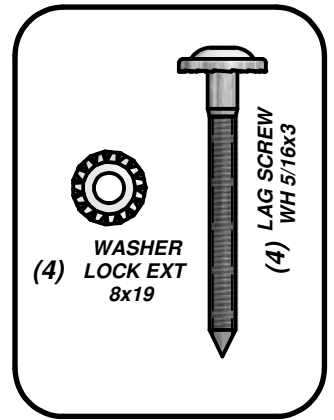
RIGHT SIDE

BACK

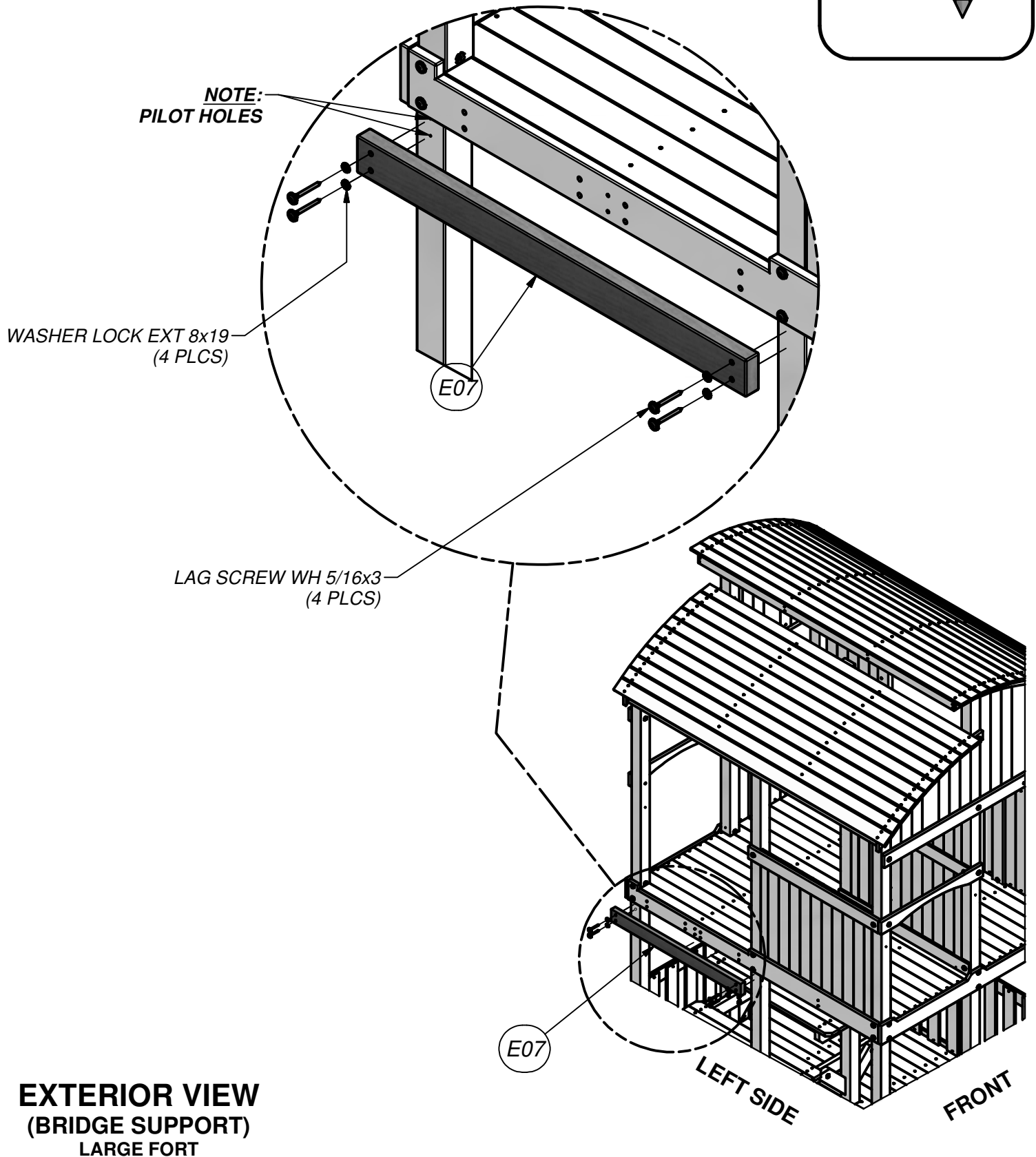
EXTERIOR VIEW
(BRIDGE SUPPORT)
SMALL FORT



(1) E07 - BRIDGE SUPPORT - W4L07978
1 3/8"x3 3/8"x41 5/8" (36x86x1057)

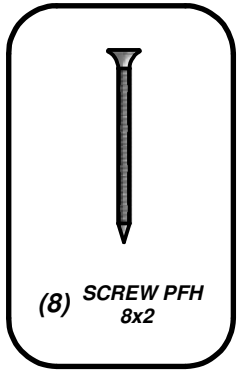


STEP 51

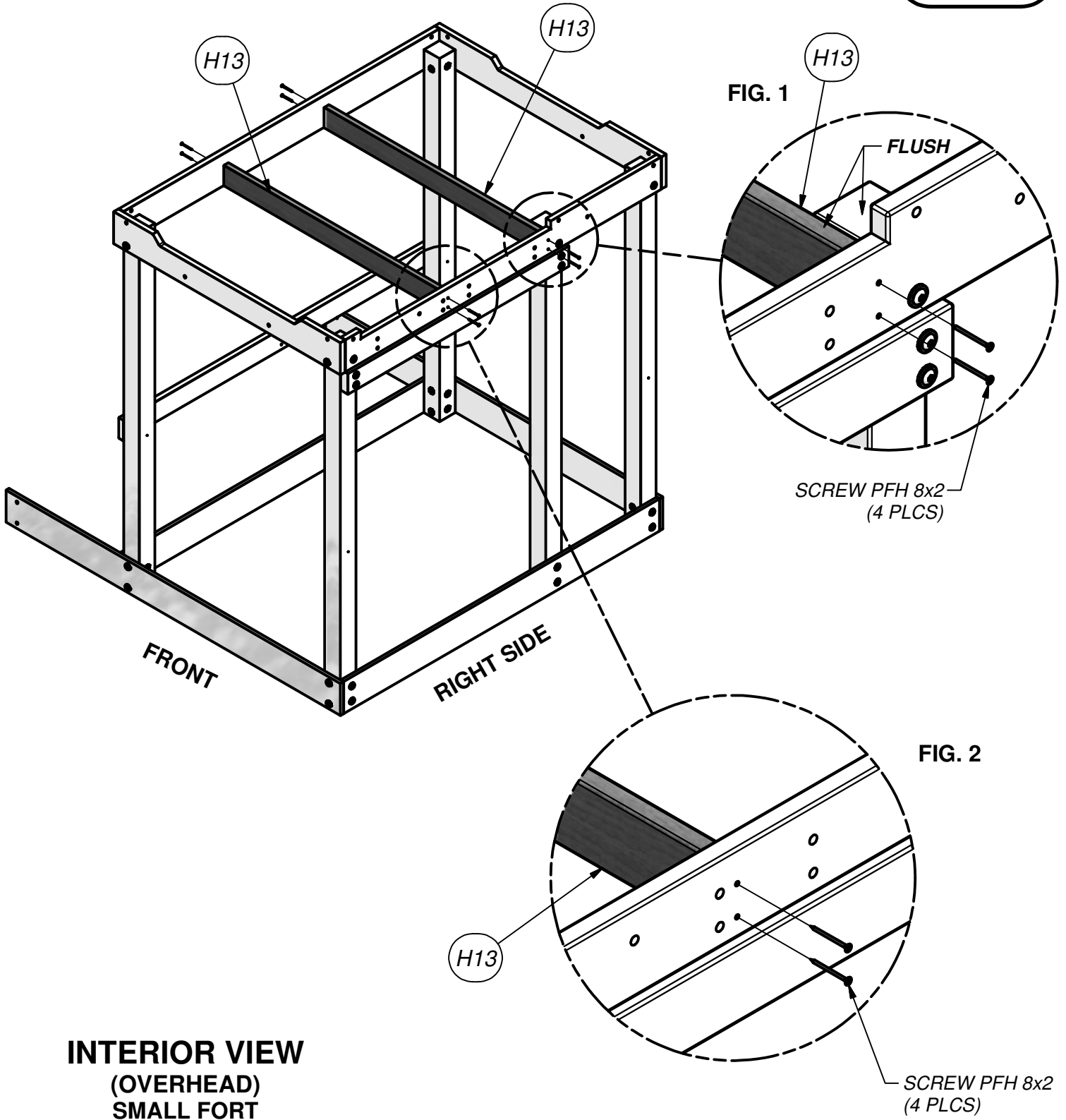


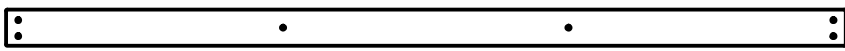


(2) H13 - JOIST - W4L07950
1"x3 3/8"x40 3/4" (24x86x1036)



STEP 52





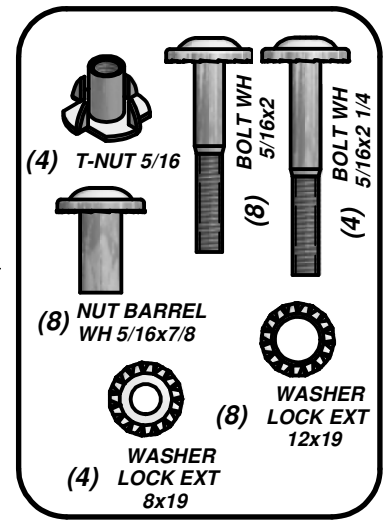
(2) **E06 - BRIDGE SUPPORT - W4L07931**
1 3/8"x3 3/8"x78 3/4" (36x86x2000)



(4) **WM - L BRACKET 51x32x82x3.175 - A100396**



(2) **G08 - BRIDGE RAIL - W4L07930**
1"x5 1/4"x80 5/8" (24x134x2048)



STEP 53

FIG. 1

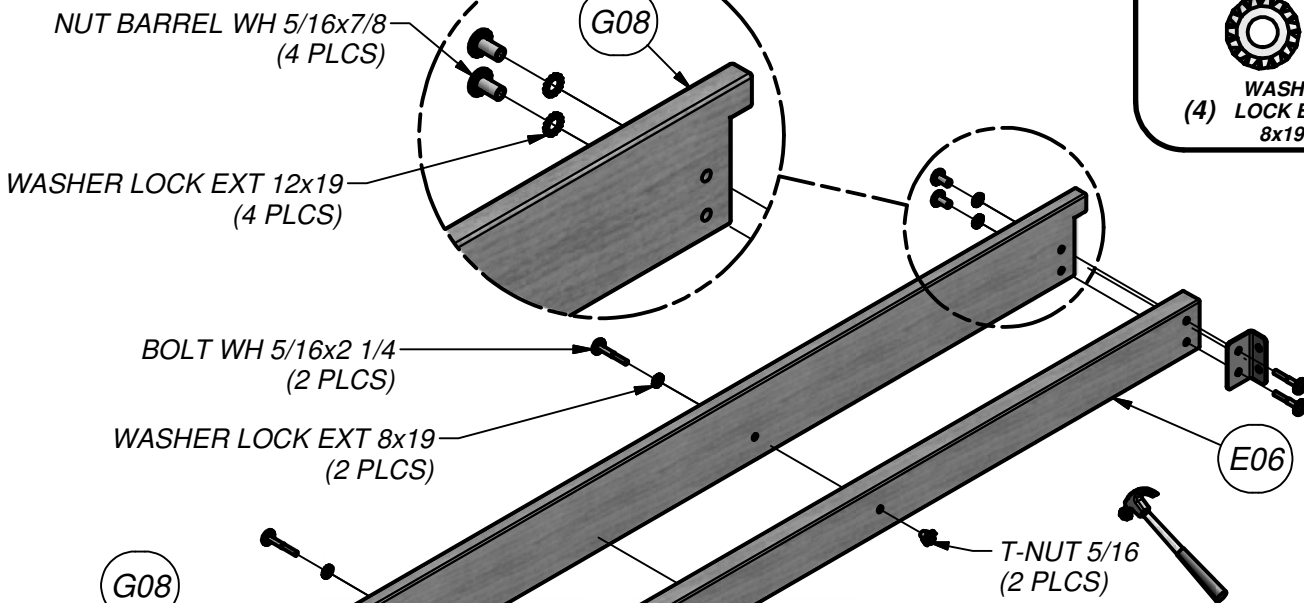


FIG. 2

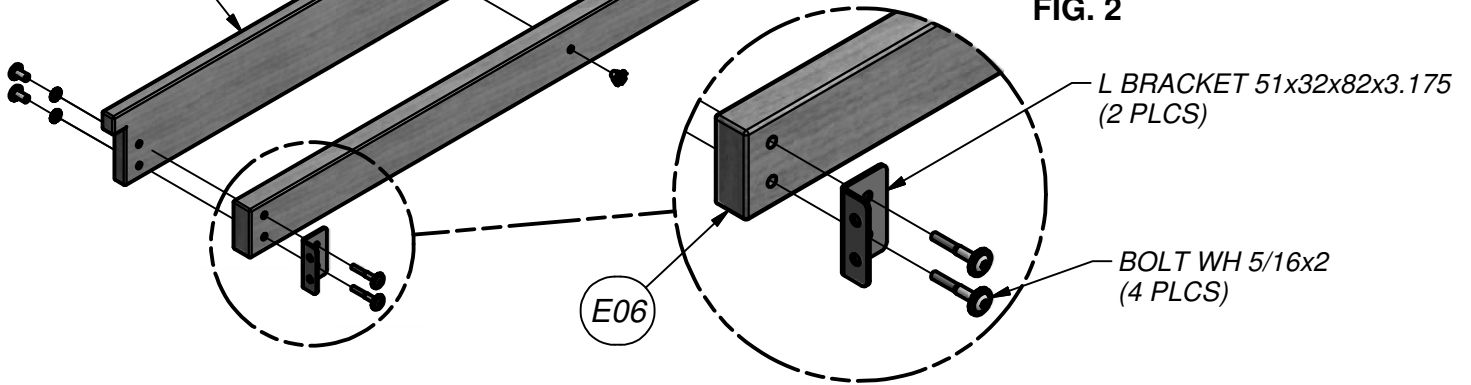
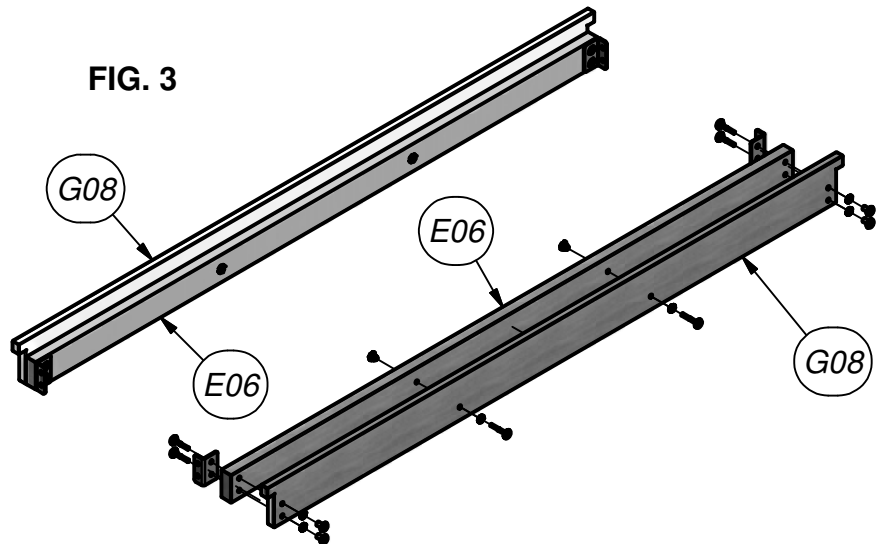


FIG. 3

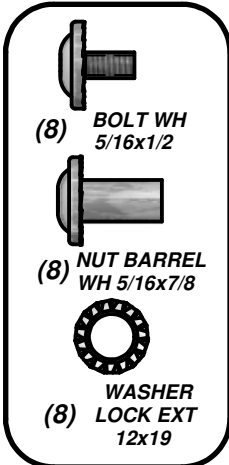
NOTE:
MAKE AN OPPOSITE FRONT ASSEMBLY



EXTERIOR VIEW
(BRIDGE RAILS)



(2) BRIDGE RAIL ASSEMBLY



STEP 54

FIG. 1

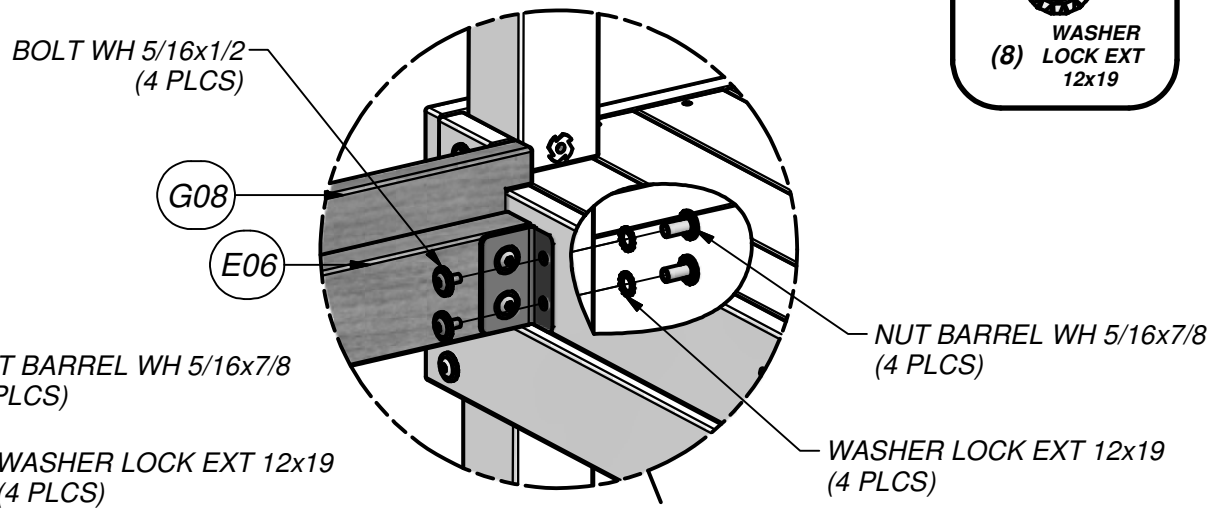
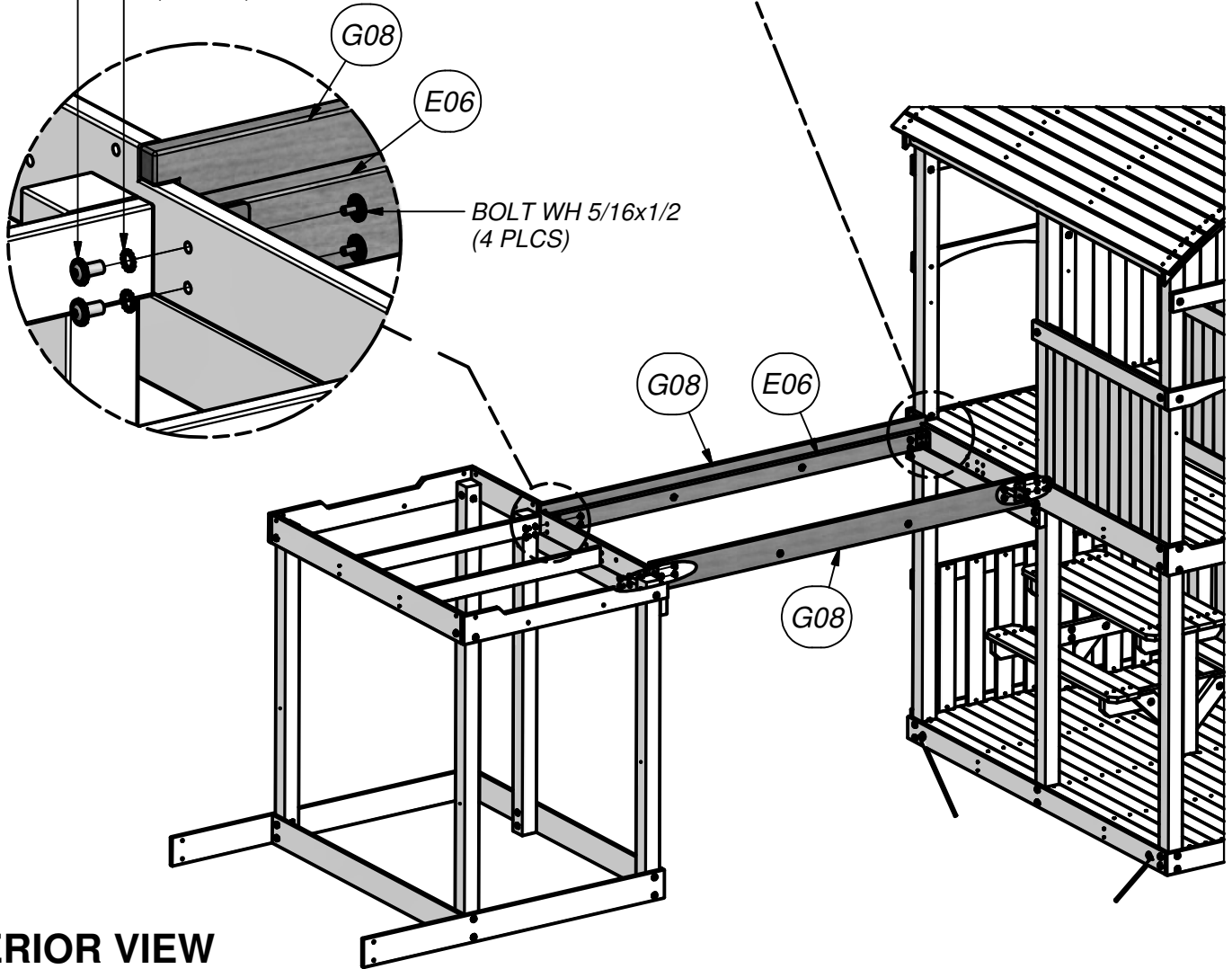
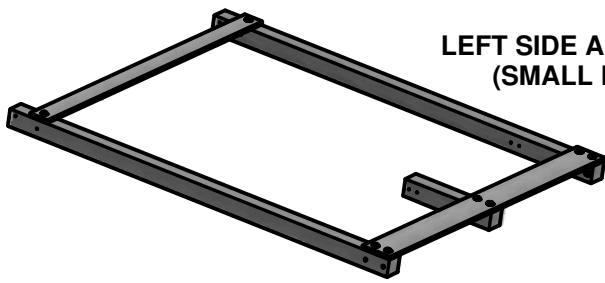


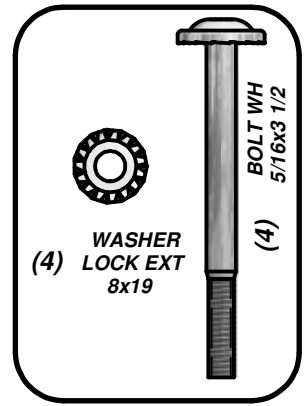
FIG. 2



**EXTERIOR VIEW
(BRIDGE RAIL ATTACHMENT)
BOTH FORTS**



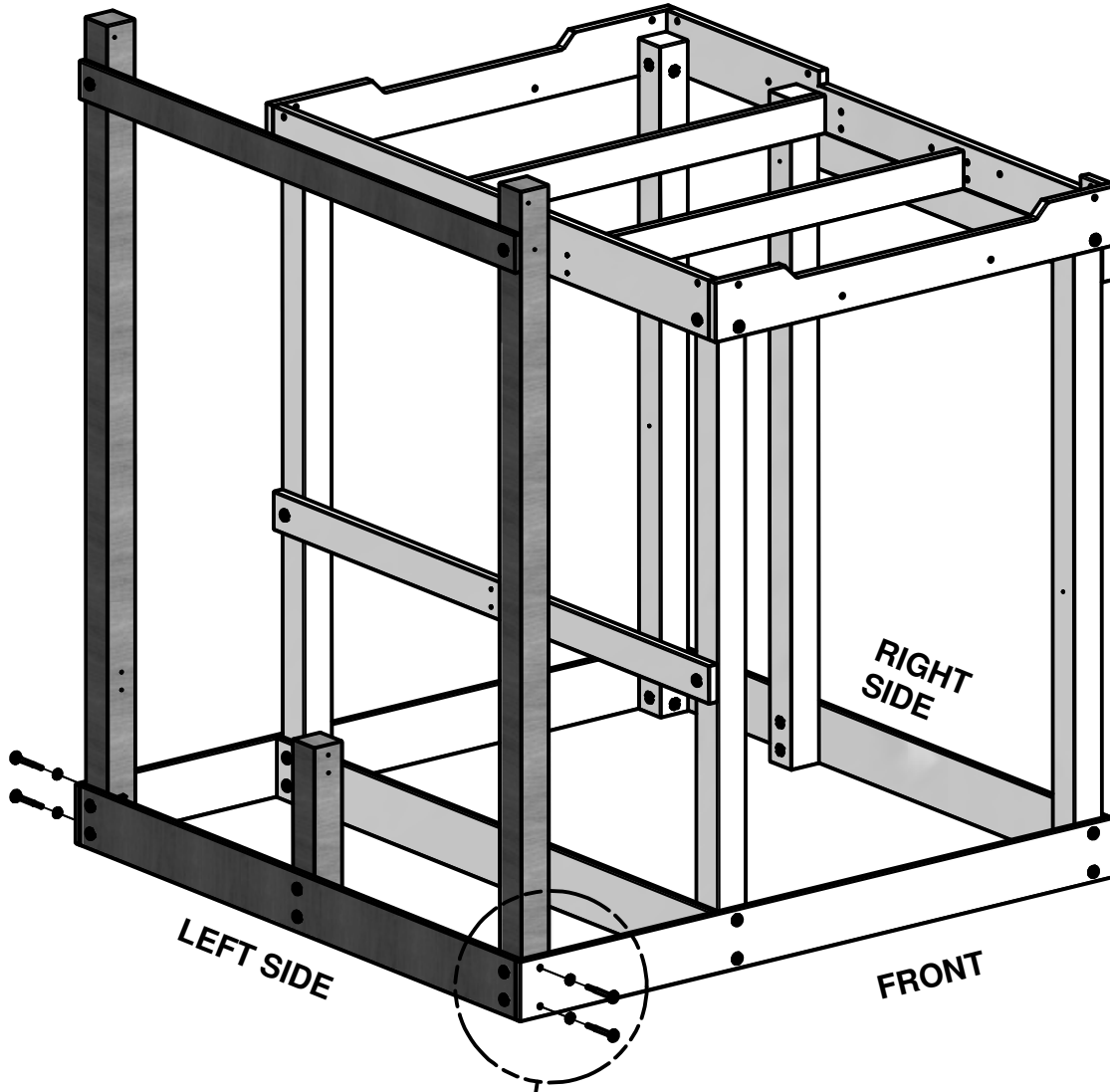
LEFT SIDE ASSEMBLY
(SMALL FORT)



WASHER
LOCK EXT
8x19
(4)

BOLT WH
5/16x3 1/2
(4)

STEP 55

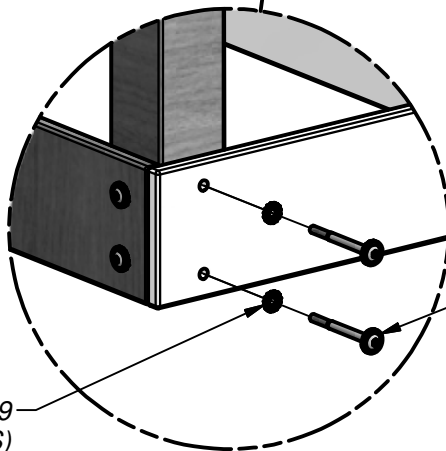


NOTE:
BRIDGE RAILS NOT
SHOWN FOR CLARITY

LEFT SIDE

FRONT

RIGHT
SIDE



BOLT WH 5/16x3 1/2
(4 PLCS)

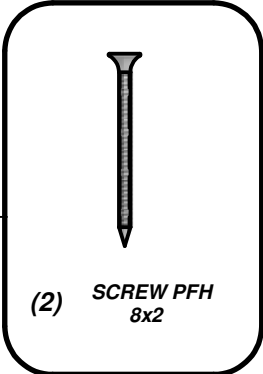
WASHER LOCK EXT 8x19
(4 PLCS)



EXTERIOR VIEW
(LEFT SIDE WALL)
SMALL FORT

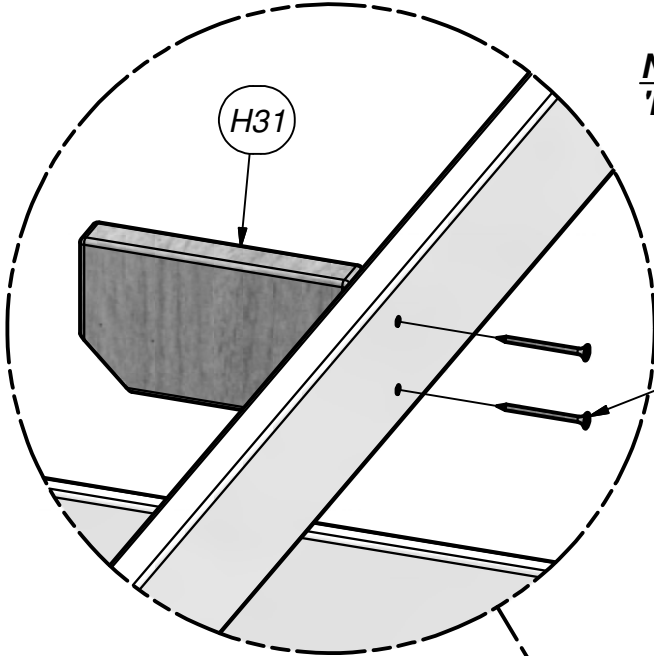


(1) H31 - SUPPORT - W4L07945
1"x3 3/8"x6" (24x86x152)



(2) SCREW PFH
8x2

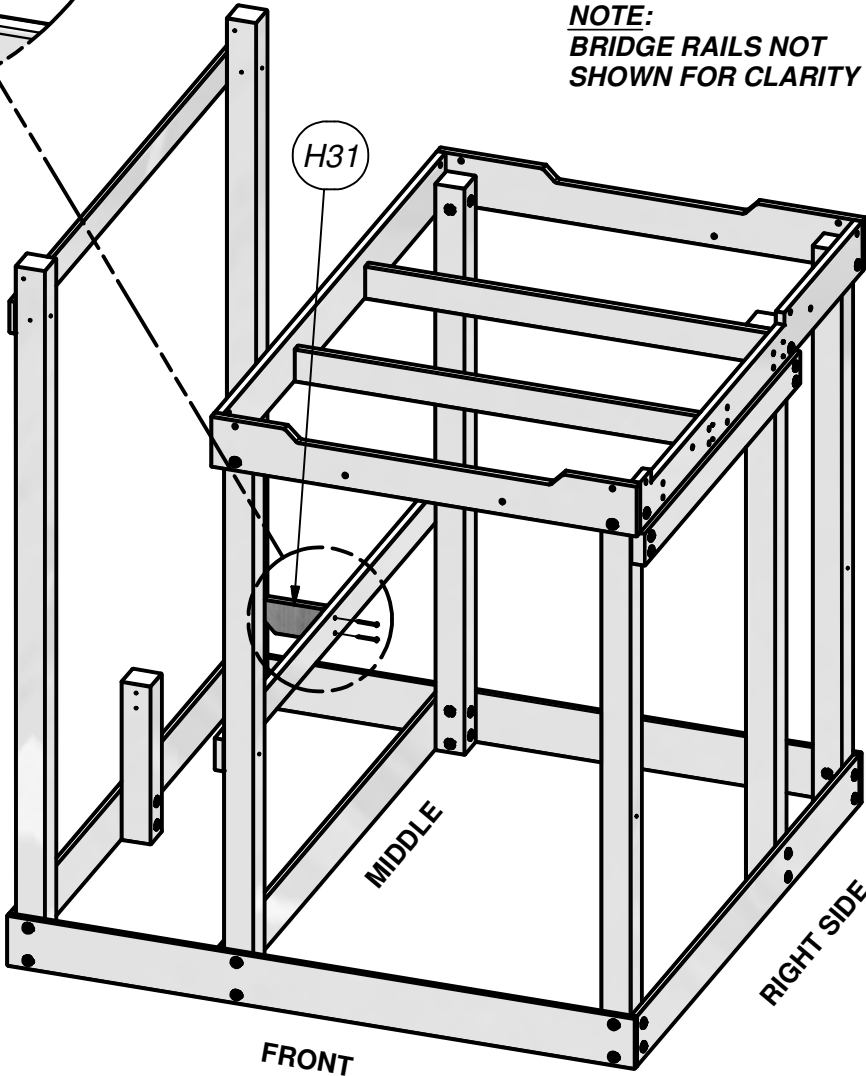
STEP 56



NOTE:
'H31' ORIENTATION

SCREW PFH 8x2
(2 PLCS)

NOTE:
**BRIDGE RAILS NOT
SHOWN FOR CLARITY**



INTERIOR VIEW
(SERVING STATION SUPPORT)
SMALL FORT

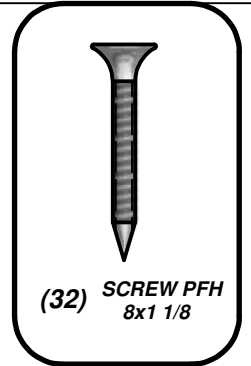


(15) **M08 - PICKET - W4L07887**
5/8"x3 3/8"x27" (16x86x686)

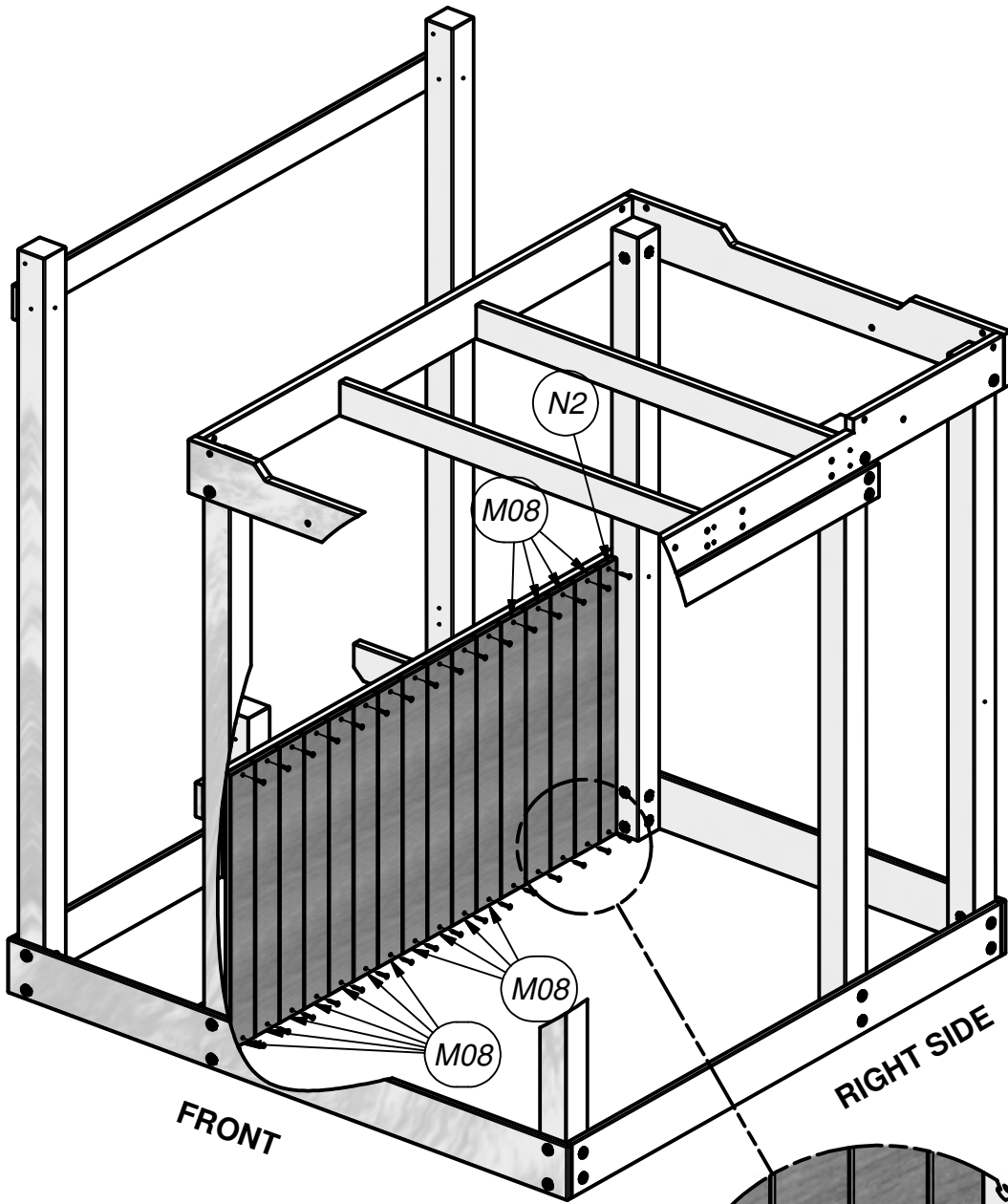


(1) **N2 - WALL BOARD - W4L07968**
5/8"x2 3/8"x27" (16x60x686)

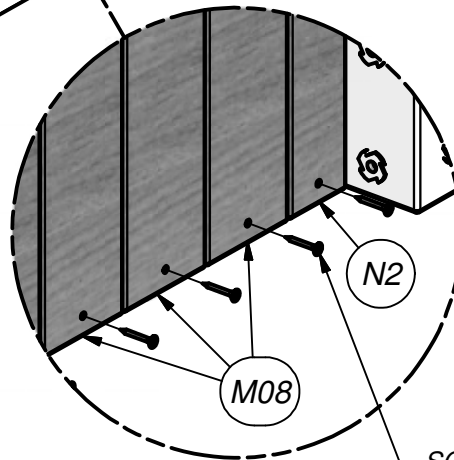
STEP 57



(32) **SCREW PFH**
8x1 1/8

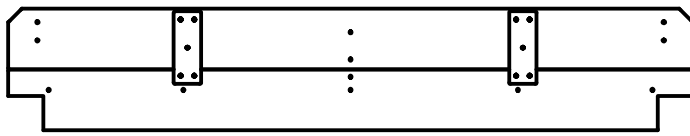


NOTE:
BRIDGE RAILS NOT
SHOWN FOR CLARITY



SCREW PFH 8x1 1/8
(32 PLCS)

INTERIOR VIEW
(MIDDLE SERVING WALL)
SMALL FORT



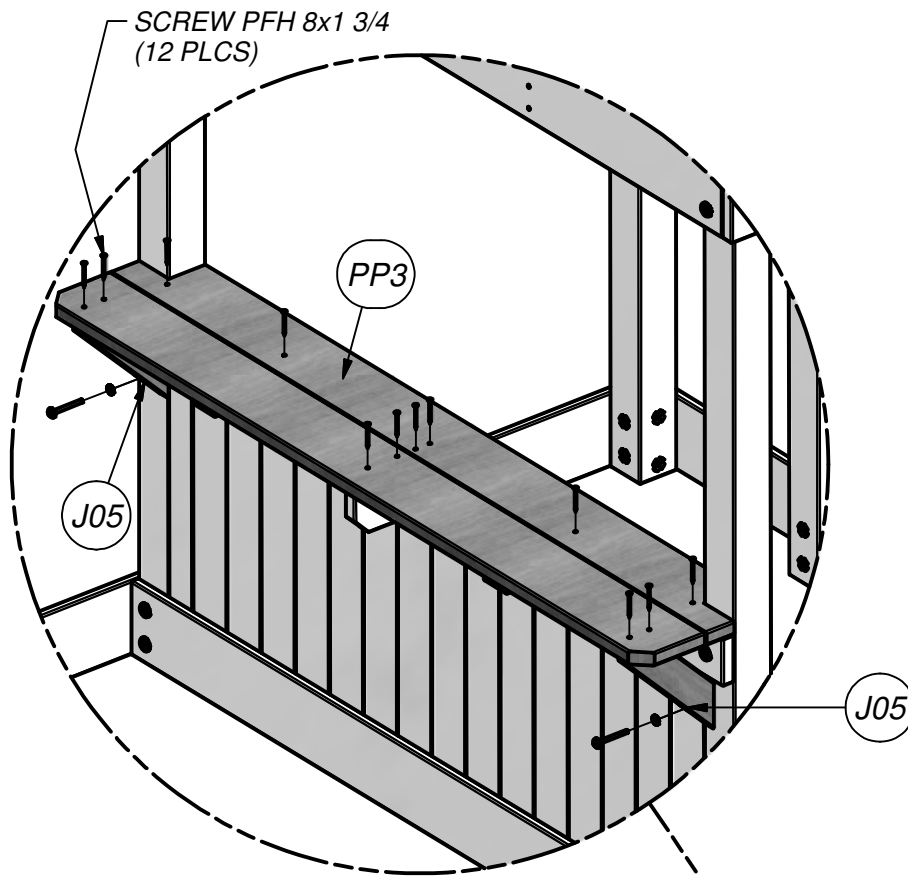
(1) PP3 - SERVING TABLE - W2A02196
1 5/8"x10 1/2"x59 1/2" (40x268x1510)



(2) J05 - GUSSET - W4L07951
1"x2 3/8"x10 3/4" (24x60x274)

STEP 58

FIG. 1

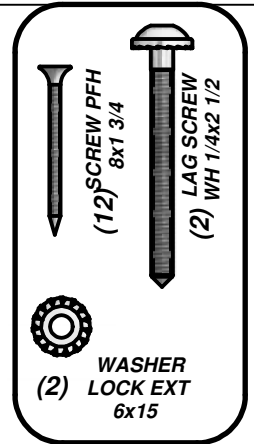


SCREW PFH 8x1 3/4
(12 PLCS)

PP3

J05

J05



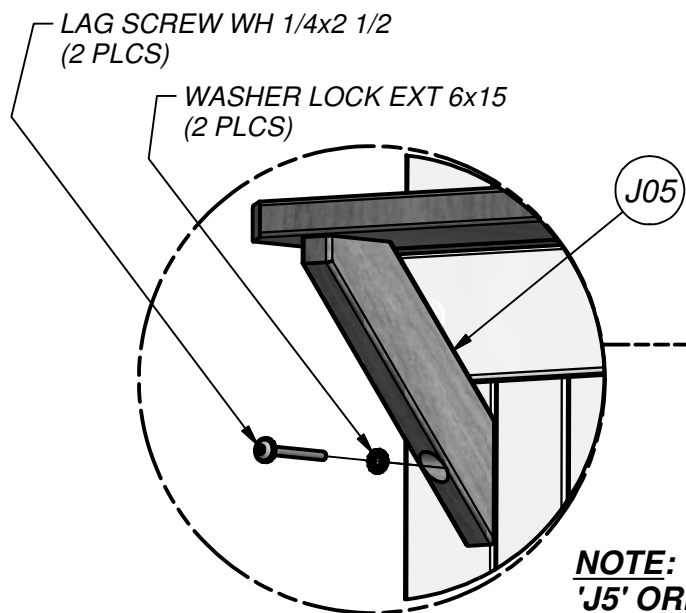
SCREW PFH
8x1 3/4
(12)

LAG SCREW
WH 1/4x2 1/2
(2)

WASHER
LOCK EXT
6x15
(2)

NOTE:
BRIDGE RAILS NOT
SHOWN FOR CLARITY

FIG. 2

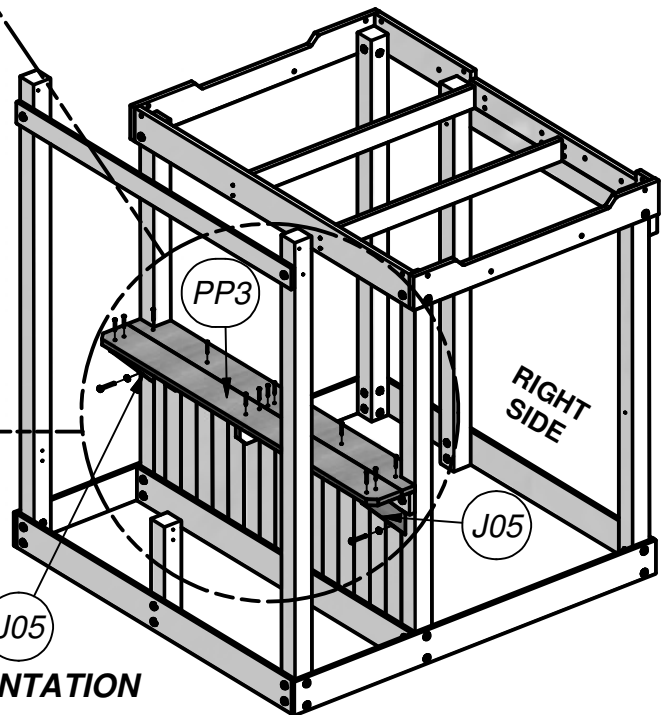


LAG SCREW WH 1/4x2 1/2
(2 PLCS)

WASHER LOCK EXT 6x15
(2 PLCS)

J05

NOTE:
'J5' ORIENTATION



PP3

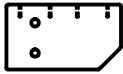
RIGHT
SIDE

J05

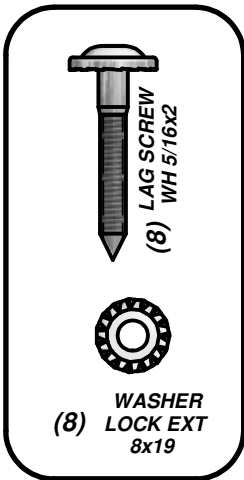
J05

FRONT LEFT
CORNER

INTERIOR VIEW
(SERVING TABLE on MIDDLE WALL)
SMALL FORT

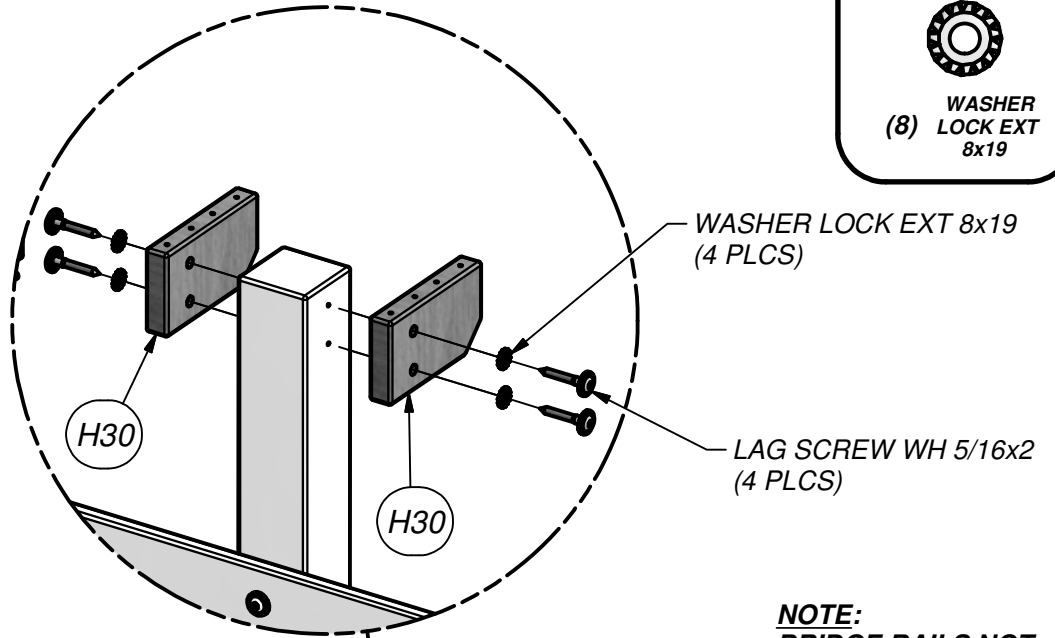


(4) **H30 - BENCH SUPPORT - W4L07943**
1"x3 3/8"x6" (24x86x152)



STEP 59

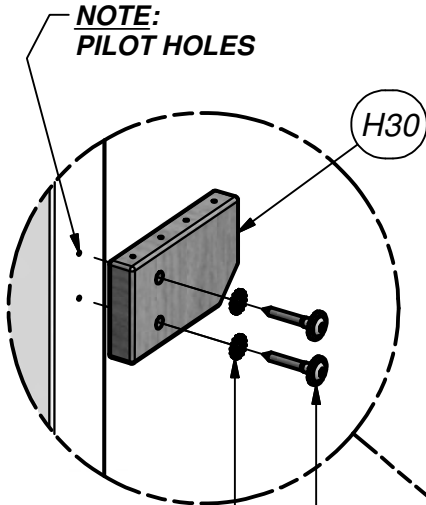
FIG. 1



NOTE:
'H30' ORIENTATION

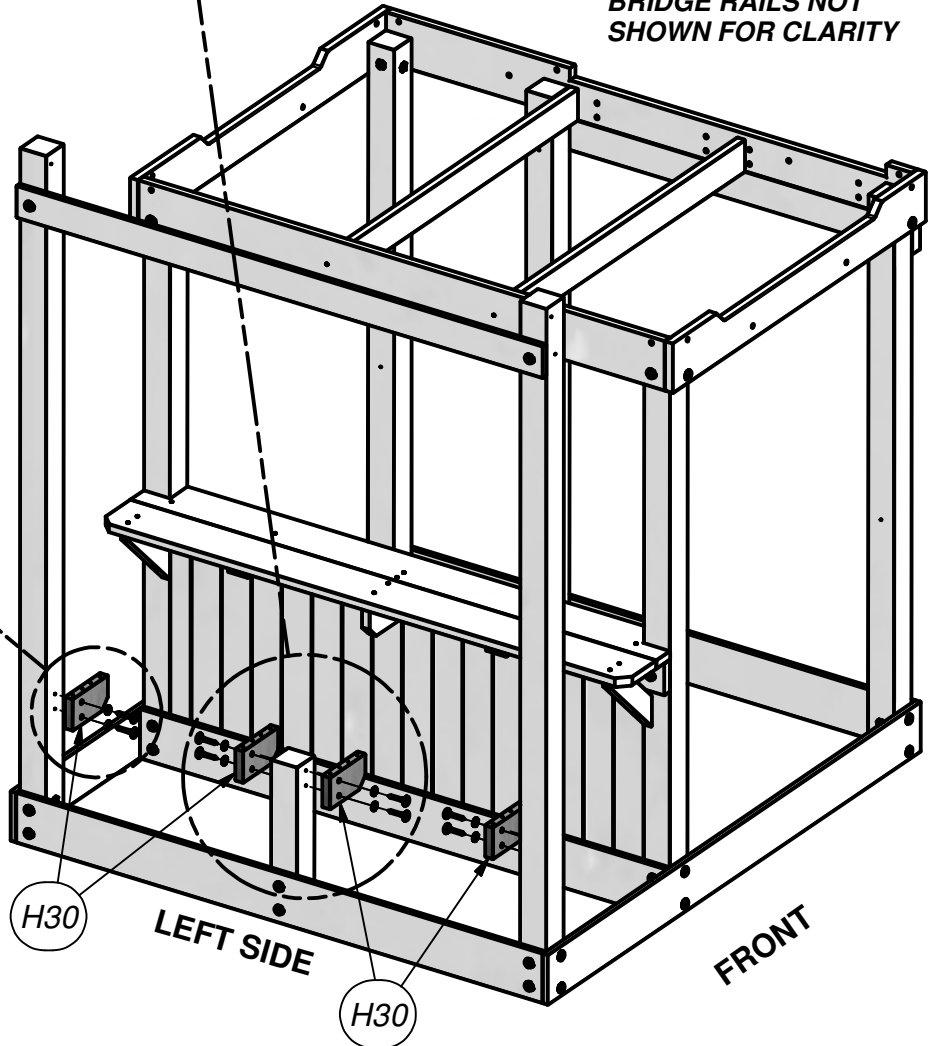
NOTE:
BRIDGE RAILS NOT SHOWN FOR CLARITY

FIG. 2

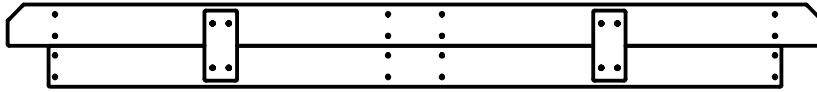


WASHER LOCK EXT 8x19
(4 PLCS)

LAG SCREW WH 5/16x2
(4 PLCS)



EXTERIOR VIEW
(LEFT SIDE SERVING BENCH)
SMALL FORT



(1) PP4 - SERVING BENCH - W2A02195
1 5/8"x6"x59 1/2" (40x152x1510)



(16) SCREW PFH
8x1 3/4

STEP 60

FIG. 2

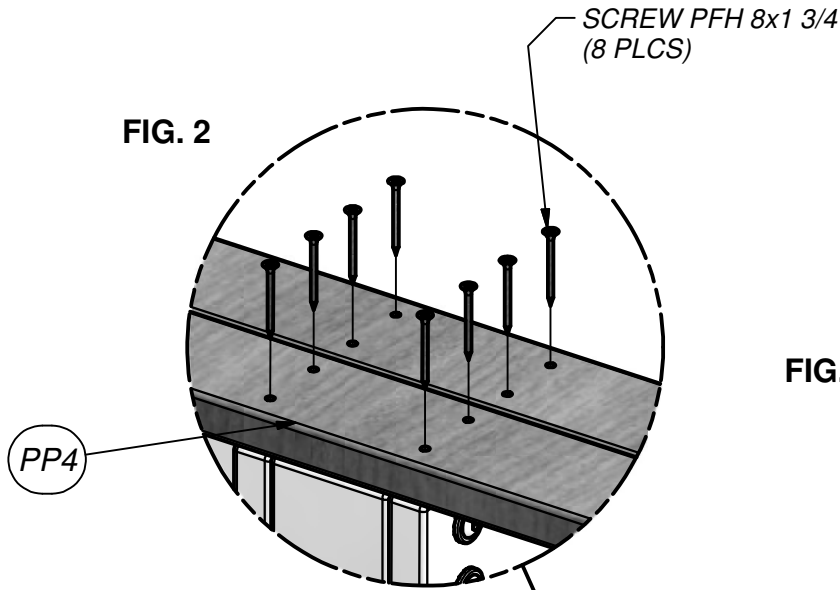


FIG. 3

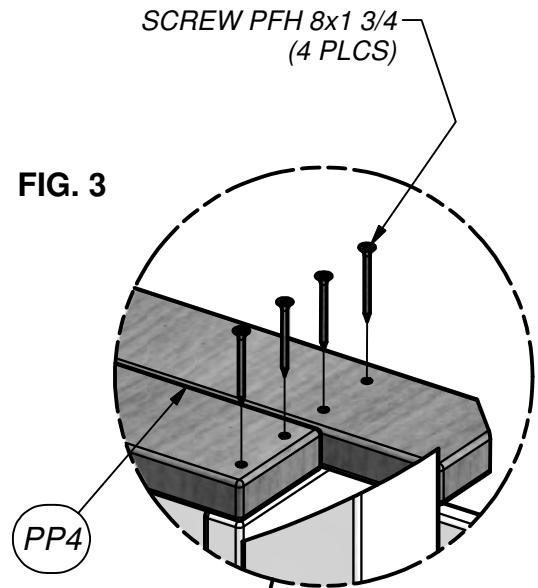
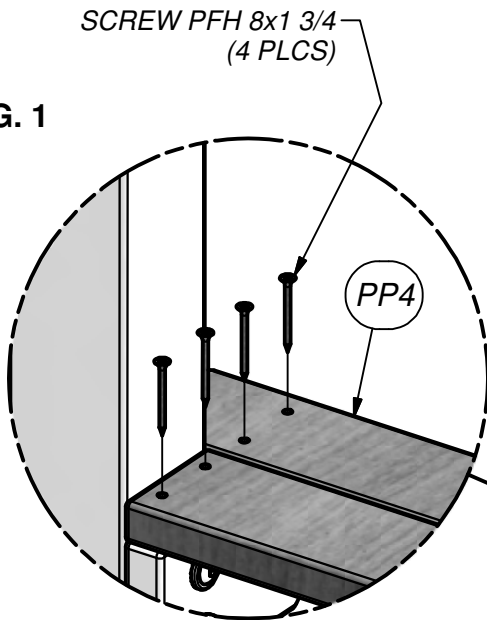
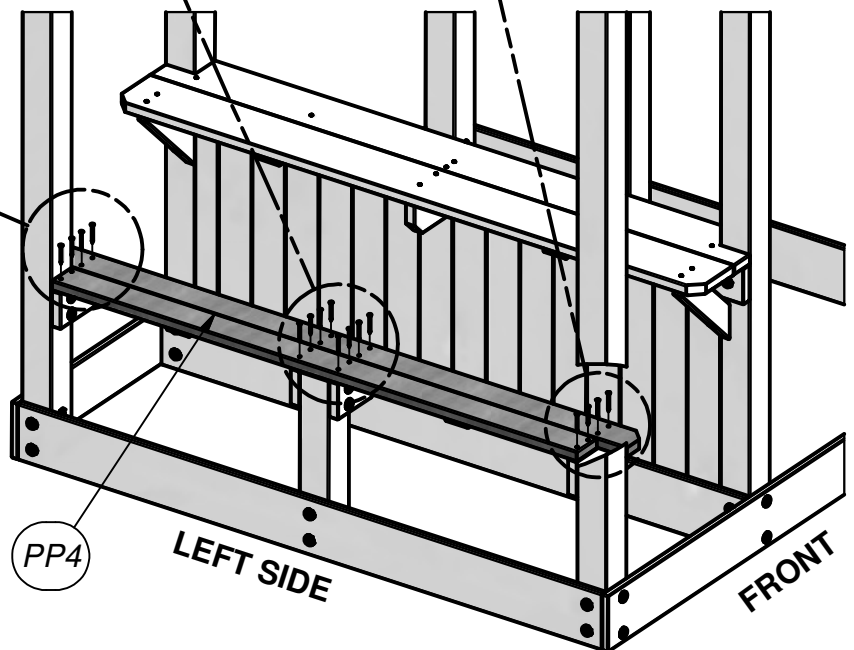


FIG. 1

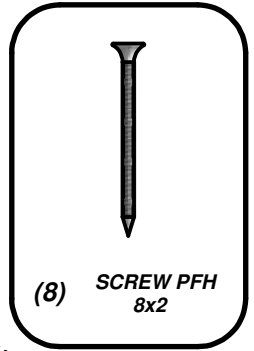


**EXTERIOR VIEW
(LEFT SIDE SERVING BENCH)
SMALL FORT**





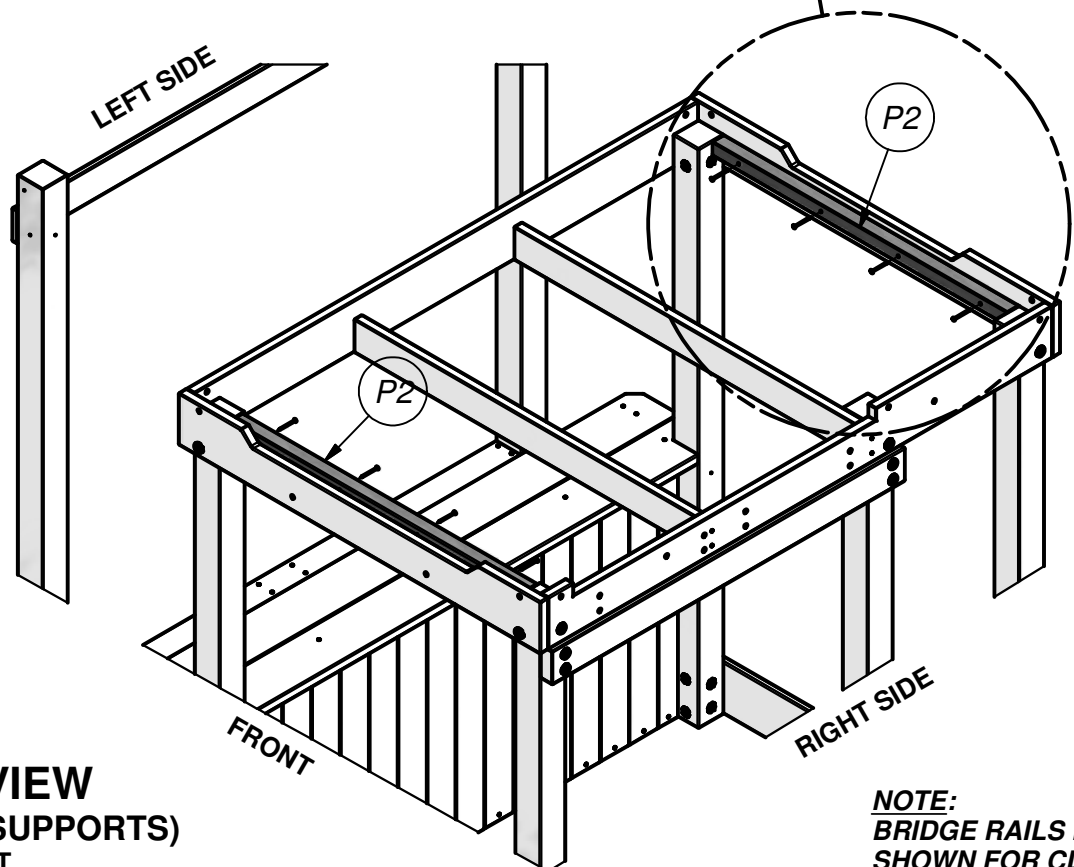
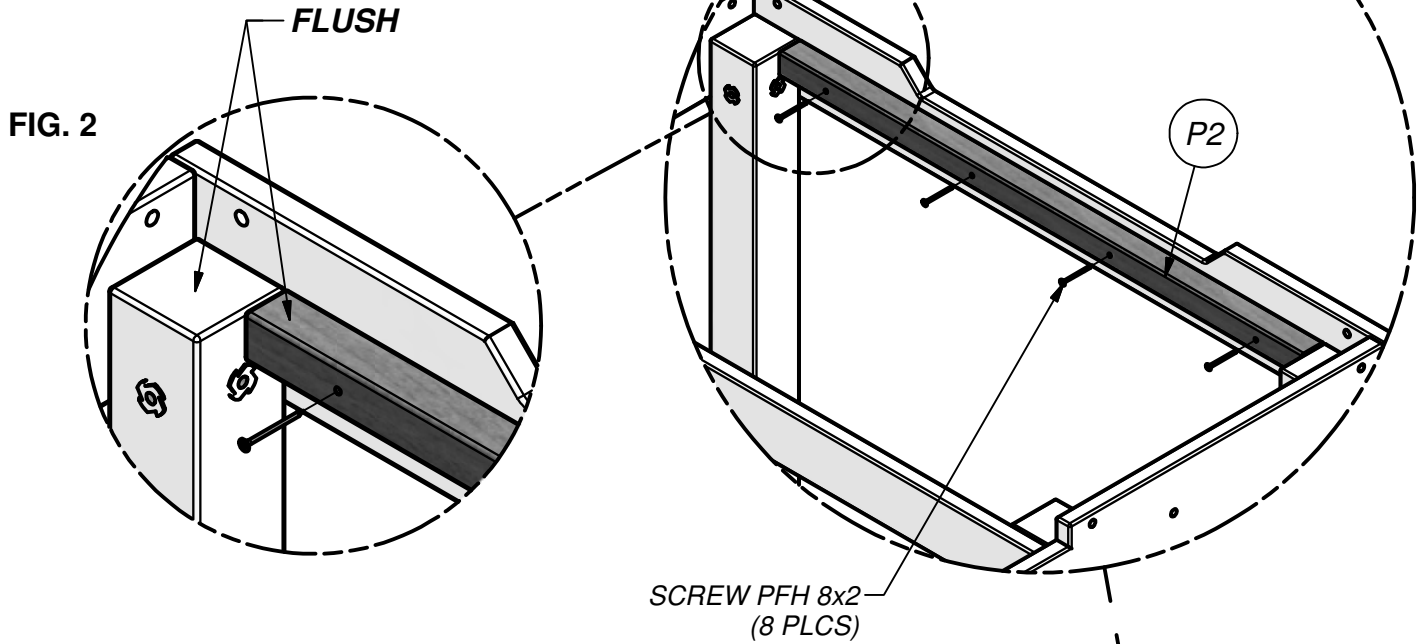
(2) P2 - DECK SUPPORT - W4L07976
1 3/8"x1 3/8"x34 3/4" (36x36x884)



(8) SCREW PFH
8x2

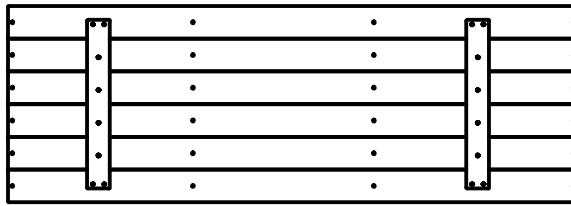
STEP 61

FIG. 1



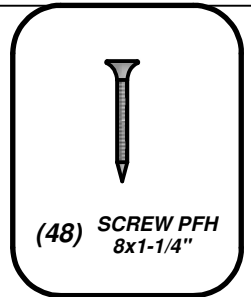
**INTERIOR VIEW
(OVERHEAD DECK SUPPORTS)
SMALL FORT**

**NOTE:
BRIDGE RAILS NOT
SHOWN FOR CLARITY**

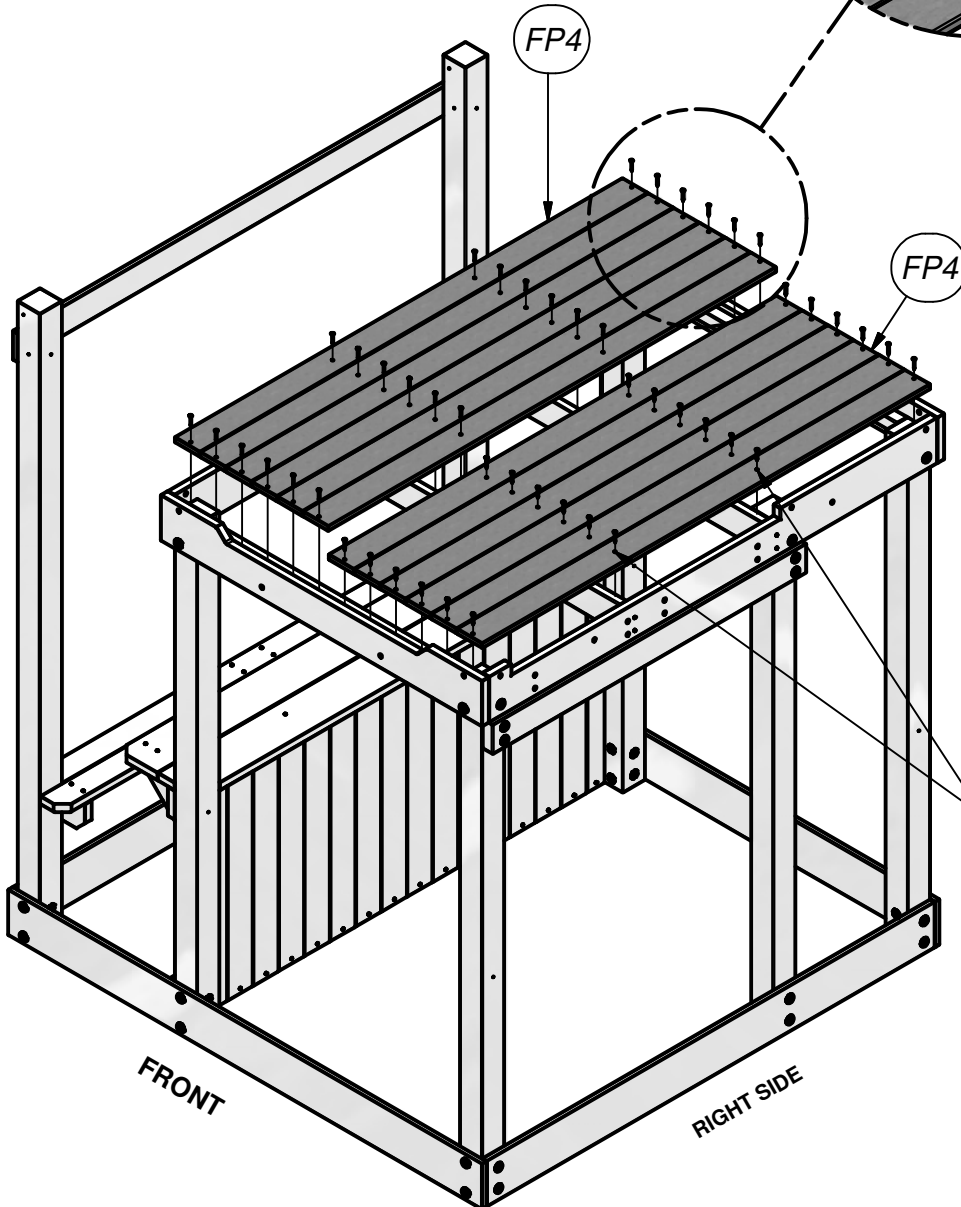
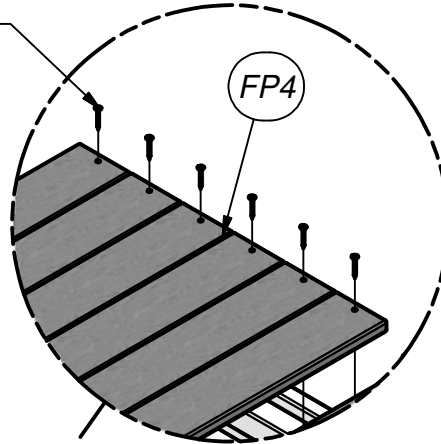


(2) FP4 - FLOOR PANEL - W2A02197
1 1/4"x20 3/8"x59 1/2" (32x519x1510)

STEP 62



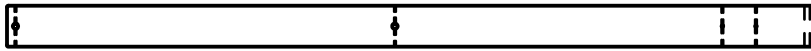
SCREW PFH 8x1-1/4"
(48 PLCS)



NOTE:
BRIDGE RAILS NOT
SHOWN FOR CLARITY

BE SURE THAT THE HOLES
IN THE FLOOR PANELS ALIGN
WITH THE FLOOR JOISTS.

**INTERIOR VIEW
(OVERHEAD - DECK)
SMALL FORT**



(2) B14 - UPRIGHT - W4L07952
3"x3"x59" (76x76x1500)

STEP 63

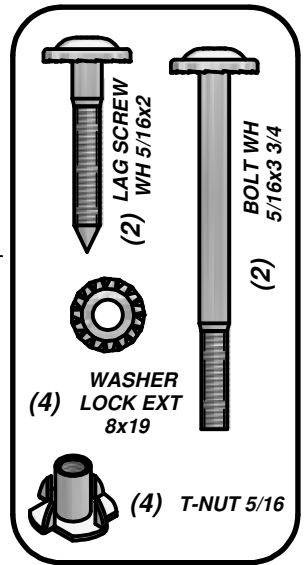
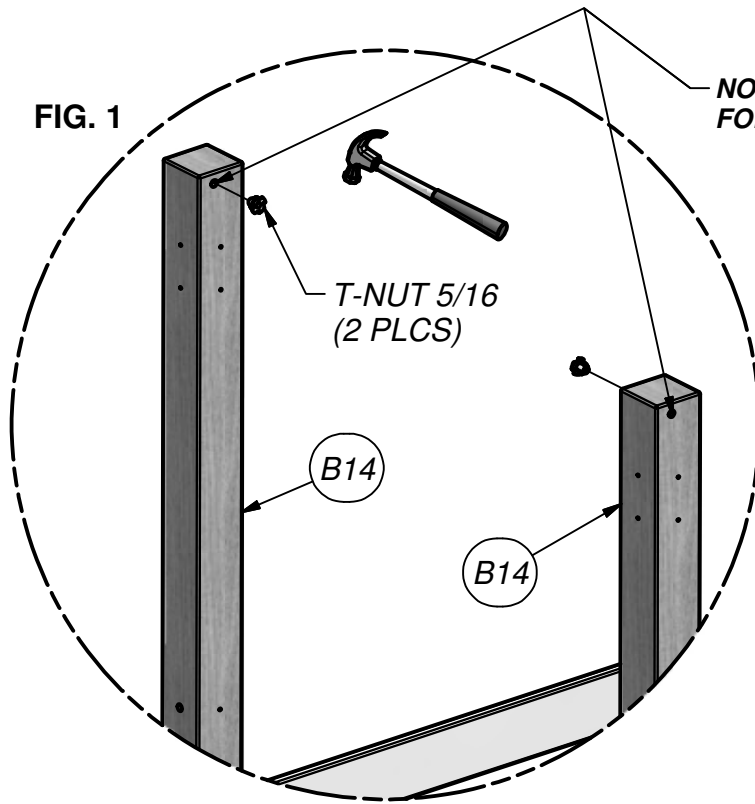
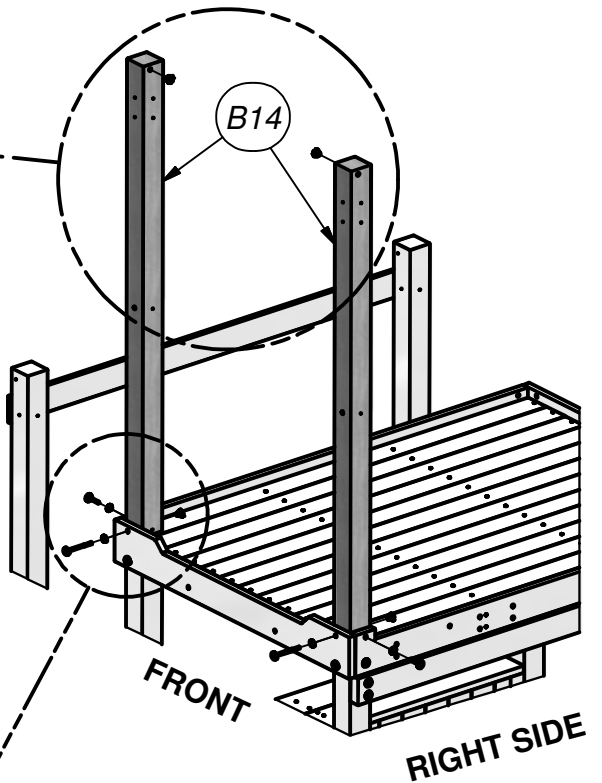
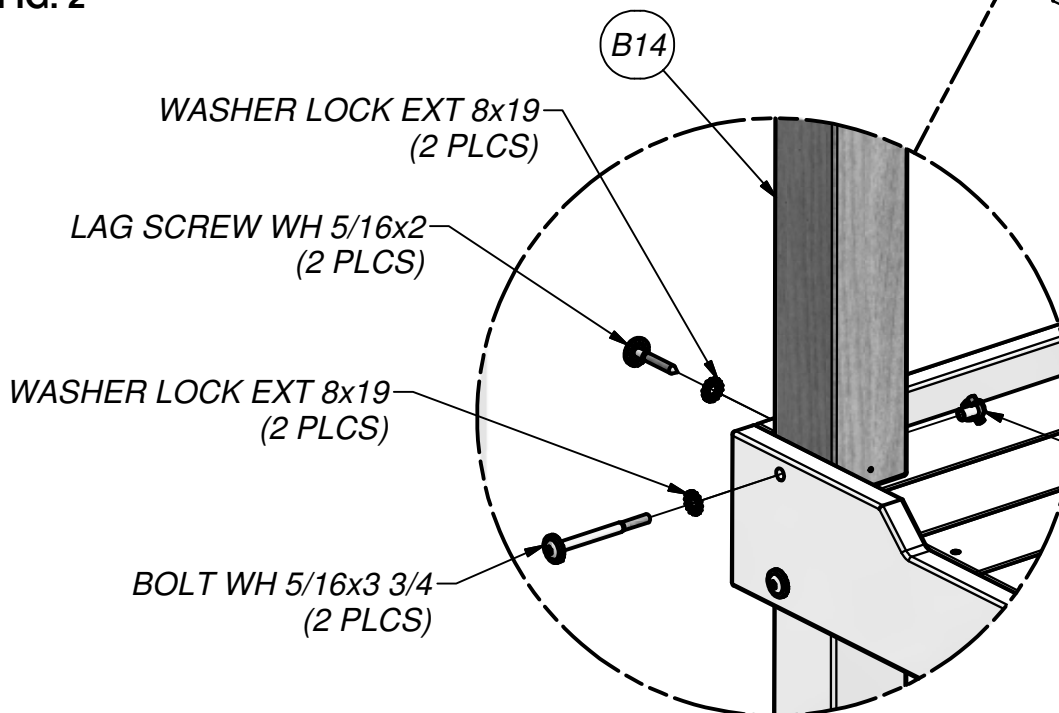


FIG. 1



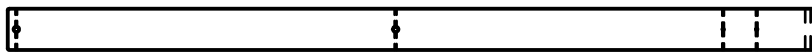
NOTE:
UPRIGHT ORIENTATION

FIG. 2



NOTE:
BRIDGE RAILS NOT
SHOWN FOR CLARITY

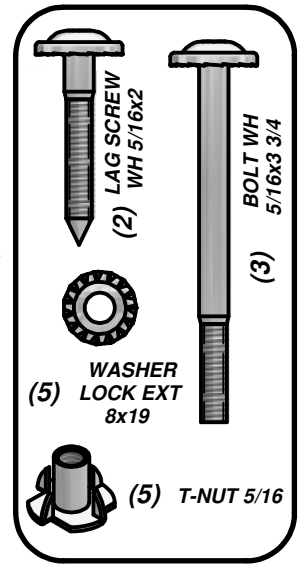
**EXTERIOR VIEW
(FRONT UPPER UPRIGHTS)
SMALL FORT**



(2) B14 - UPRIGHT - W4L07952
3"x3"x59" (76x76x1500)

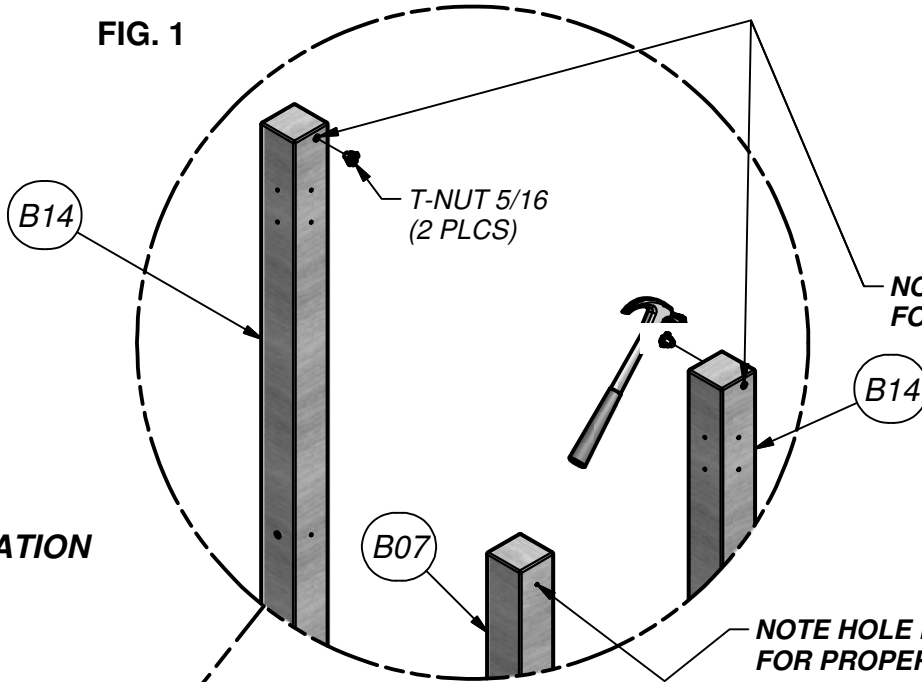


(1) B07 - UPRIGHT - W4L07909
3"x3"x54" (76x76x1372)



STEP 64

FIG. 1

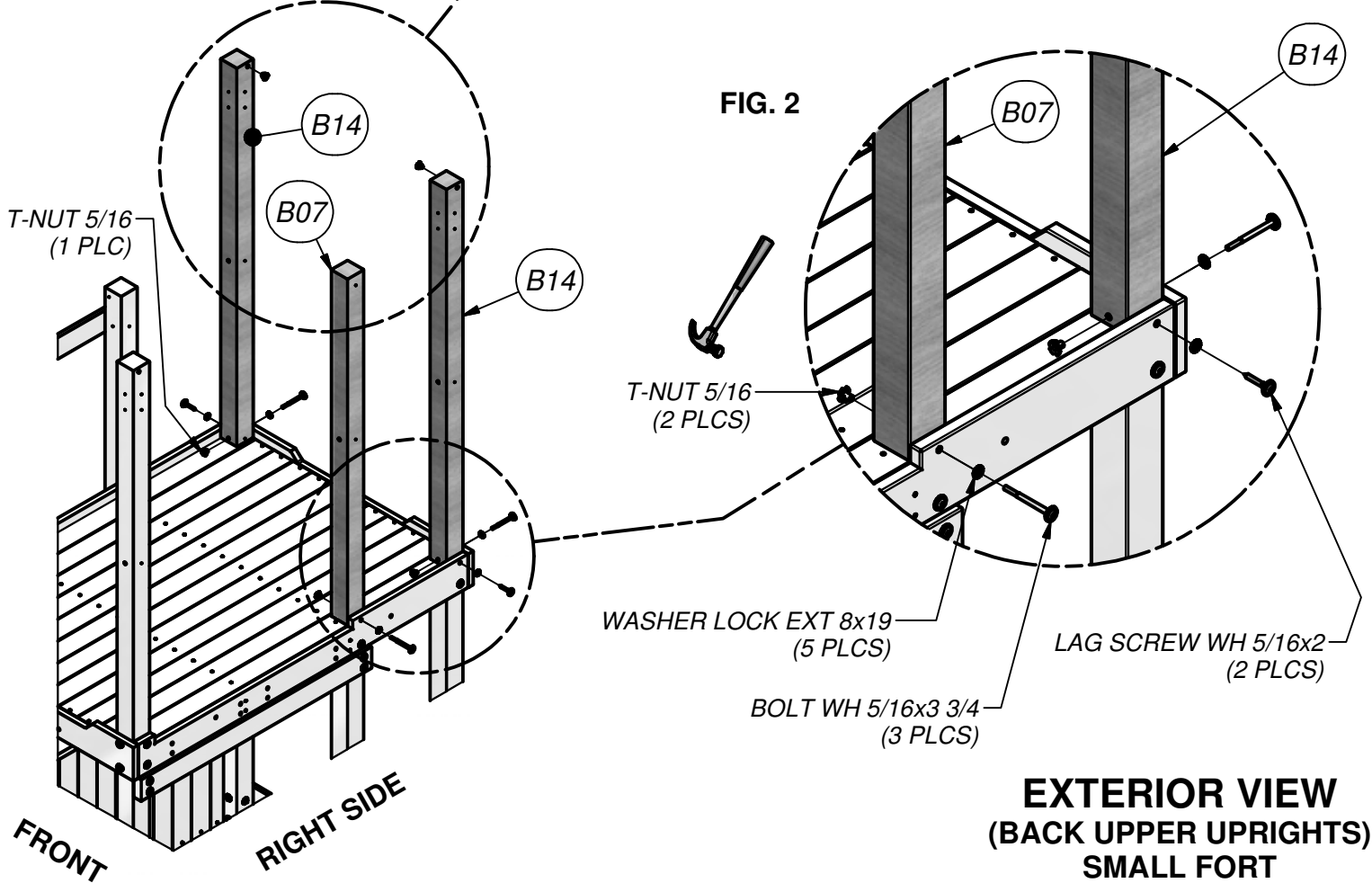


NOTE HOLE LOCATION FOR PROPER ORIENTATION.

NOTE HOLE LOCATION FOR PROPER ORIENTATION.

**NOTE:
UPRIGHT ORIENTATION**

FIG. 2



**EXTERIOR VIEW
(BACK UPPER UPRIGHTS)
SMALL FORT**



(1) H16 - ARCH RAIL - W4L07958
1"x3 3/8"x41 3/4" (24x86x1060)



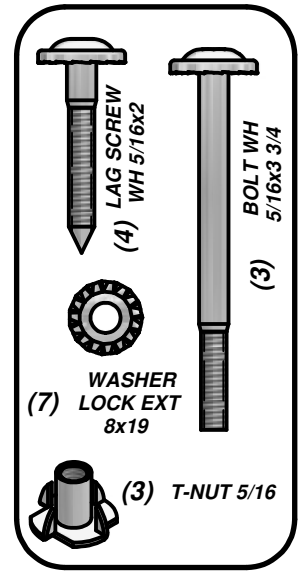
(1) H17 - ARCH RAIL - W4L07959
1"x3 3/8"x42 5/8" (24x86x1084)



(1) H18 - WALL RAIL - W4L07957
1"x3 3/8"x20 7/8" (24x86x529)



(1) H19 - WALL RAIL - W4L07956
1"x3 3/8"x59 1/2" (24x86x1510)



STEP 65

FIG. 1

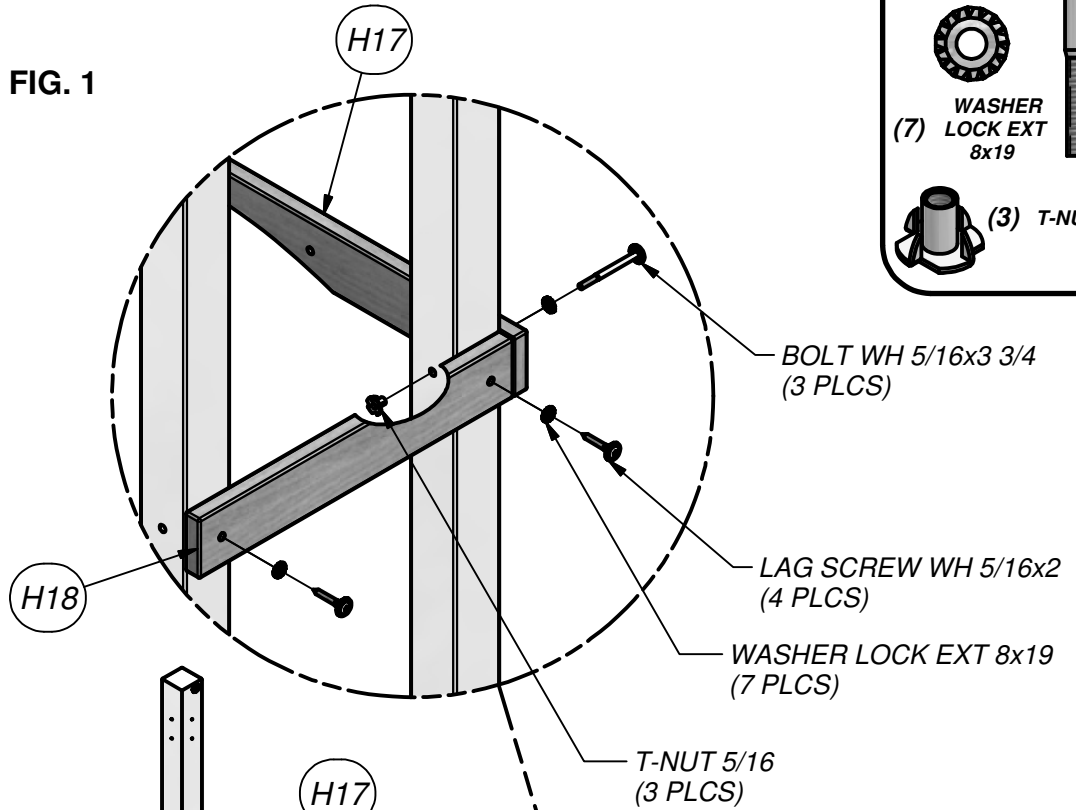
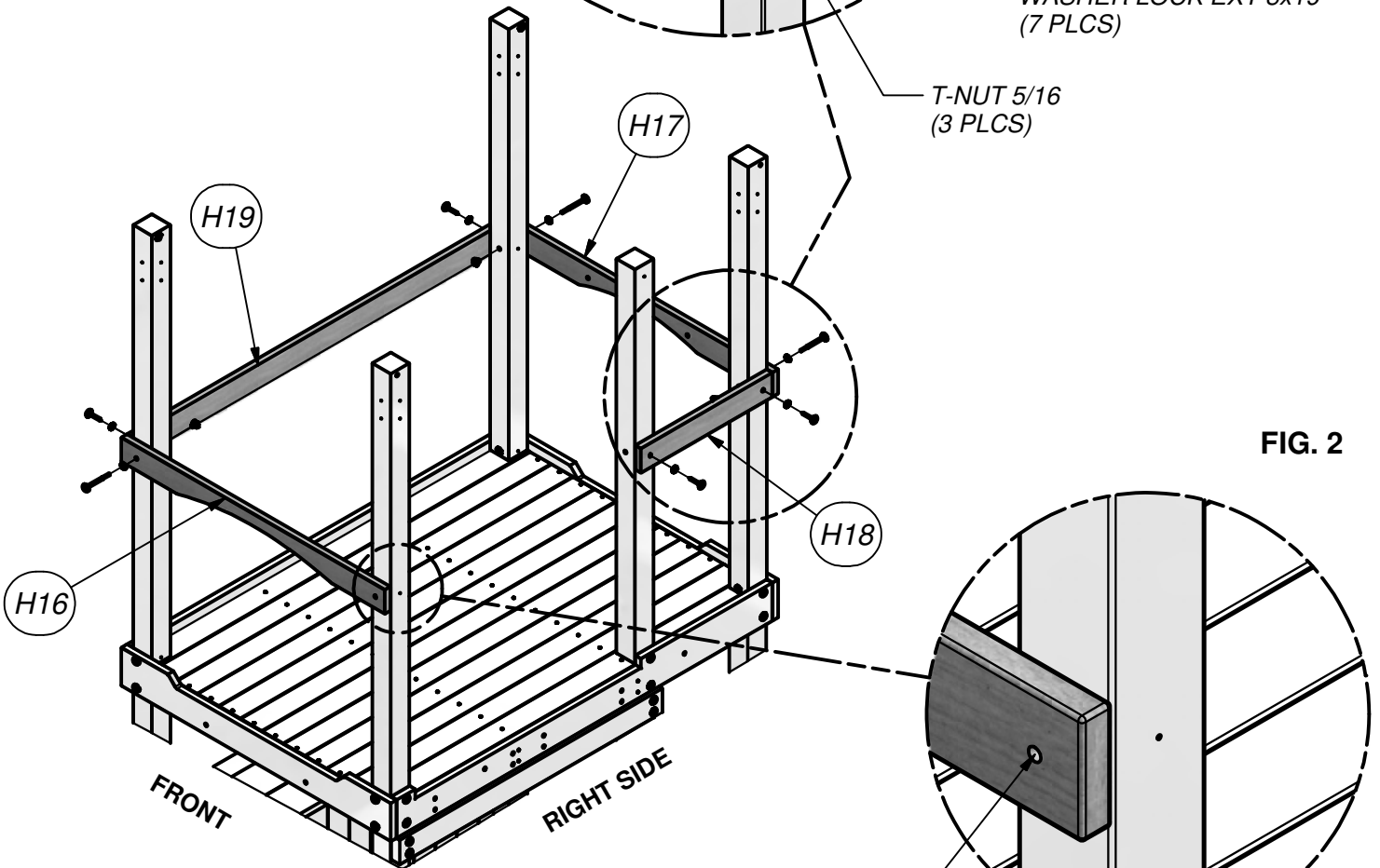


FIG. 2

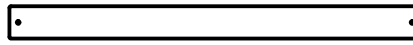


**INTERIOR VIEW
(OVERHEAD)
SMALL FORT**

NO HARDWARE
IN THIS STEP



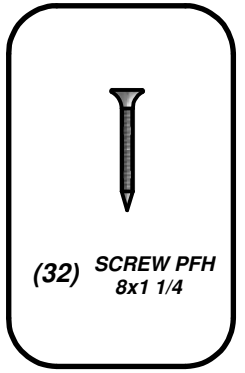
(14) M09 - WALL BOARD - W4L07911
5/8"x3 3/8"x30" (16x86x762)



(1) N1 - WALL BOARD - W4L07912
5/8"x2 3/8"x30" (16x60x762)

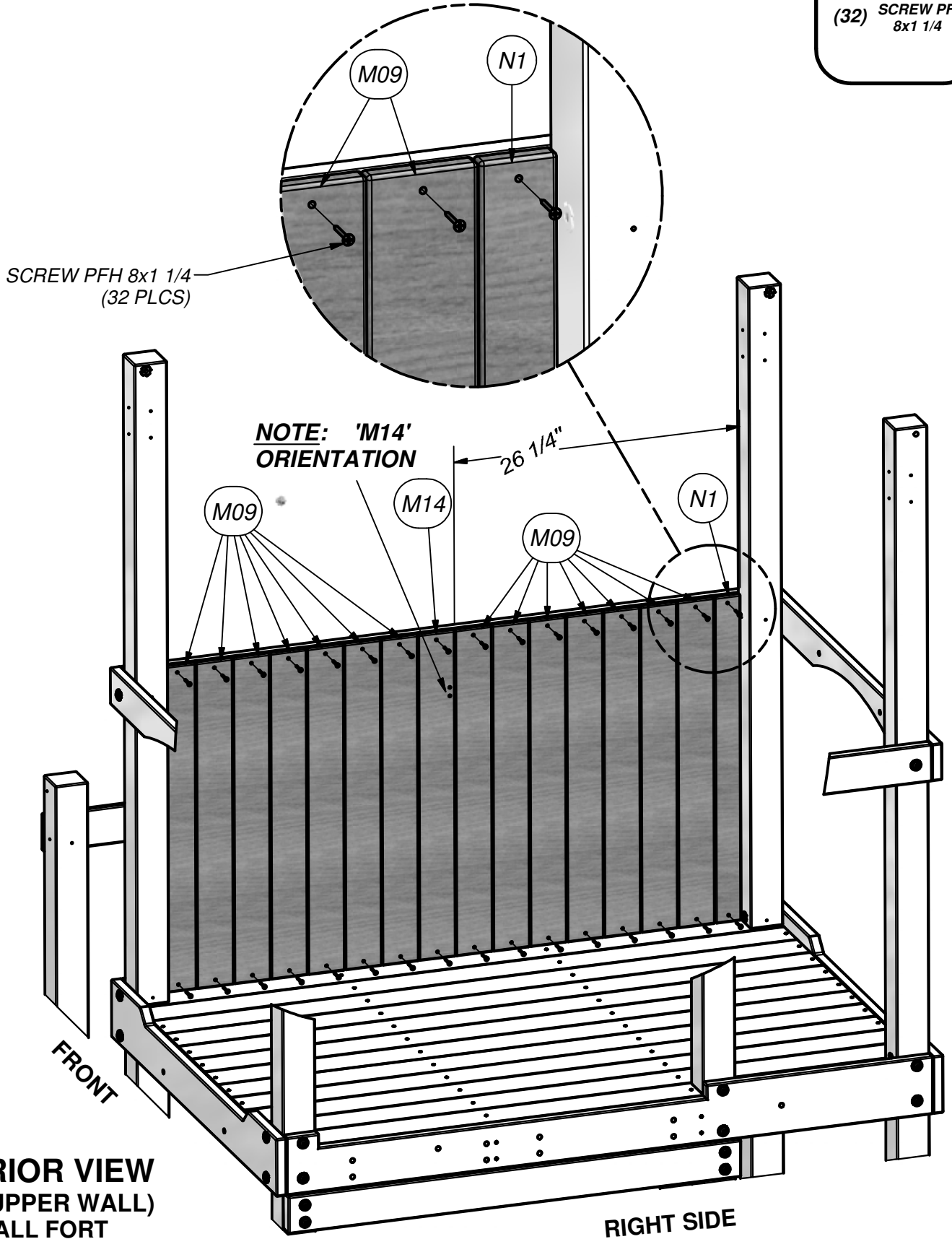


(1) M14 - WALL BOARD - W4L07977
5/8"x3 3/8"x30" (16x86x762)



(32) SCREW PFH
8x1 1/4

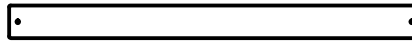
STEP 66



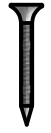
**INTERIOR VIEW
(LEFT UPPER WALL)
SMALL FORT**



(3) M09 - WALL BOARD - W4L07911
5/8"x3 3/8"x30" (16x86x762)



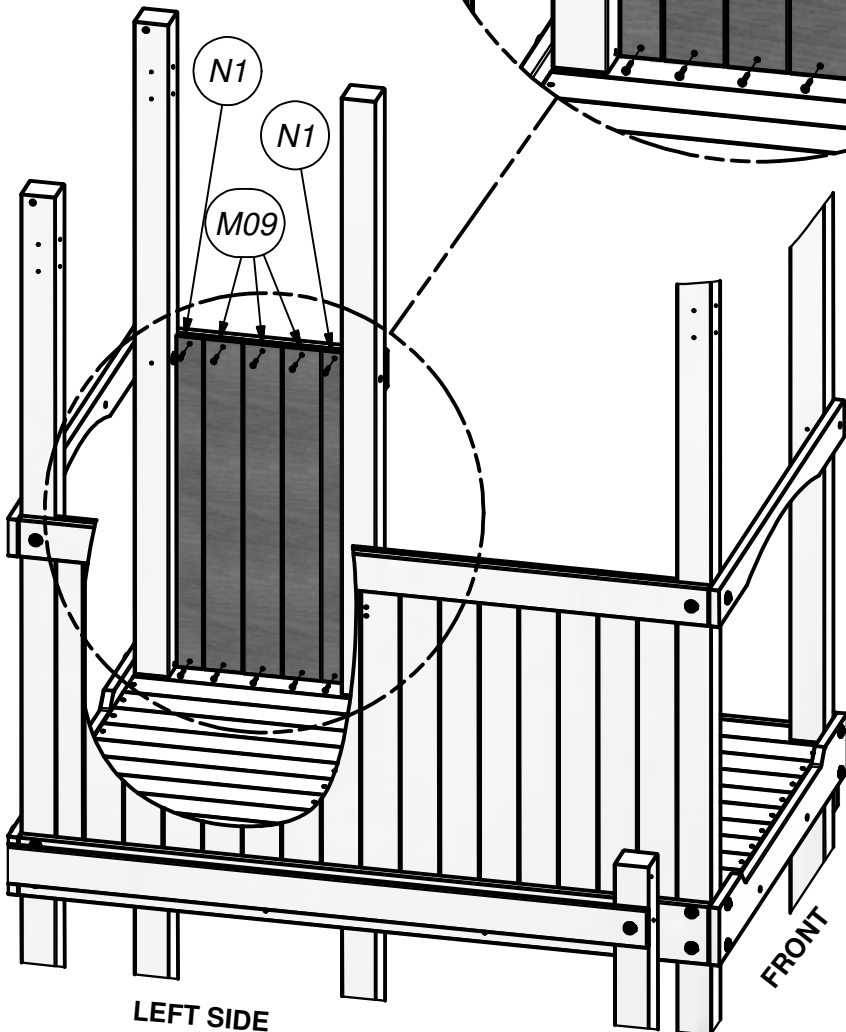
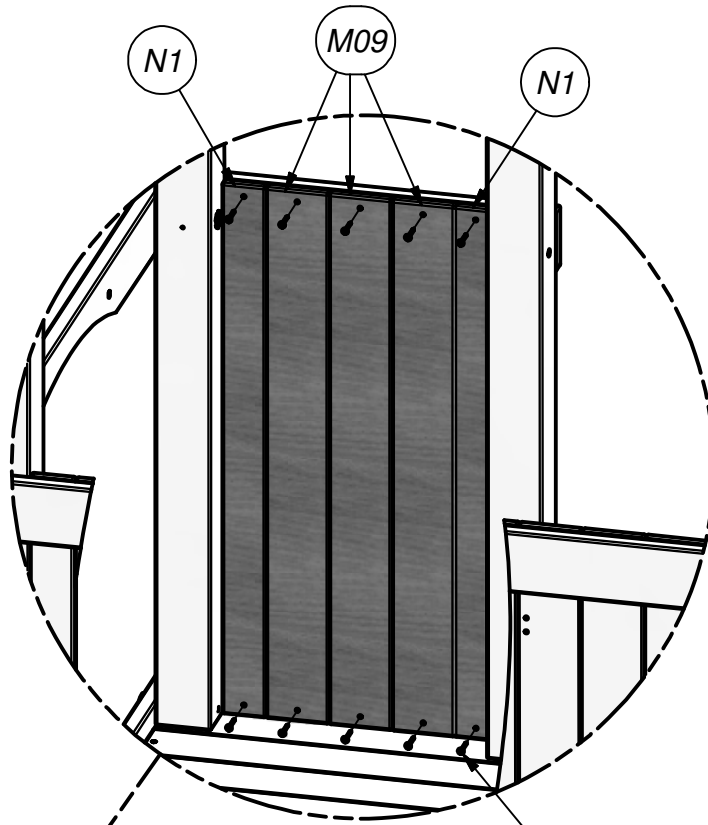
(2) N1 - WALL BOARD - W4L07912
5/8"x2 3/8"x30" (16x60x762)



(10) SCREW PFH
8x1 1/4

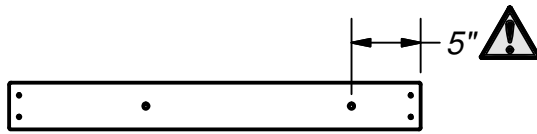
STEP 67

NOTE:
WALL BOARDS
EVENLY SPACED

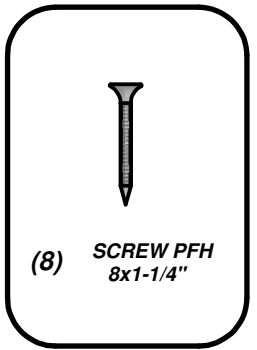


SCREW PFH 8x1 1/4
(10 PLCS)

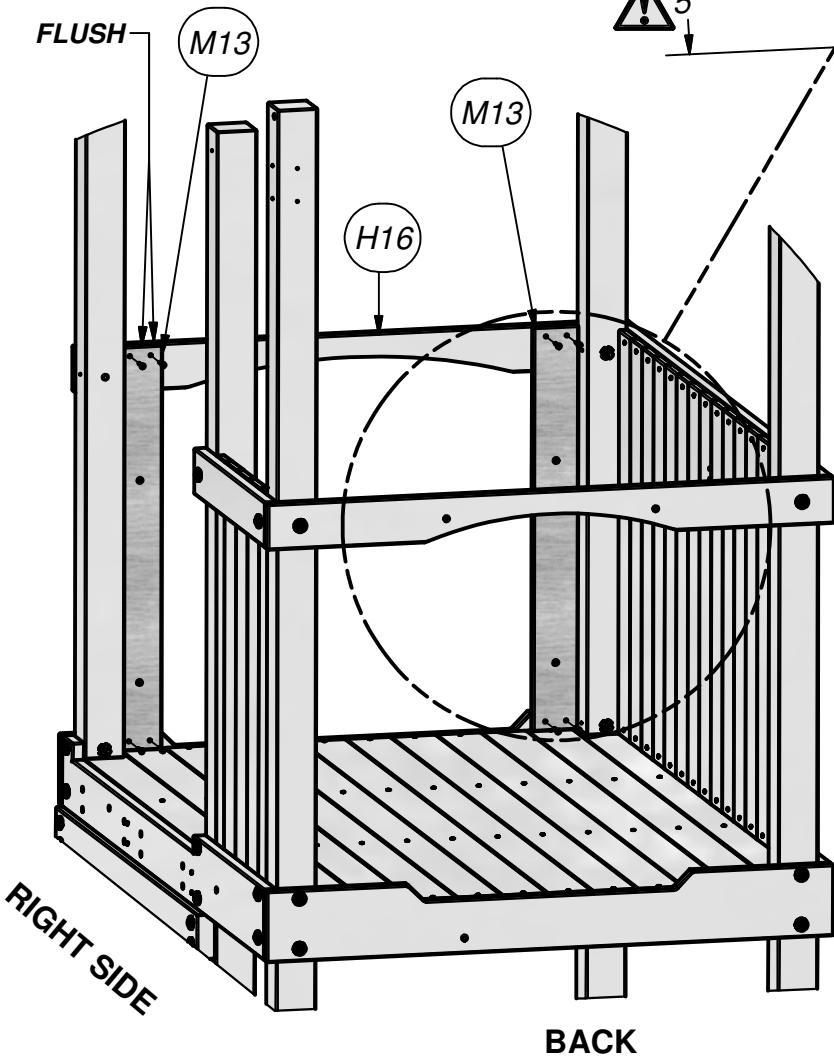
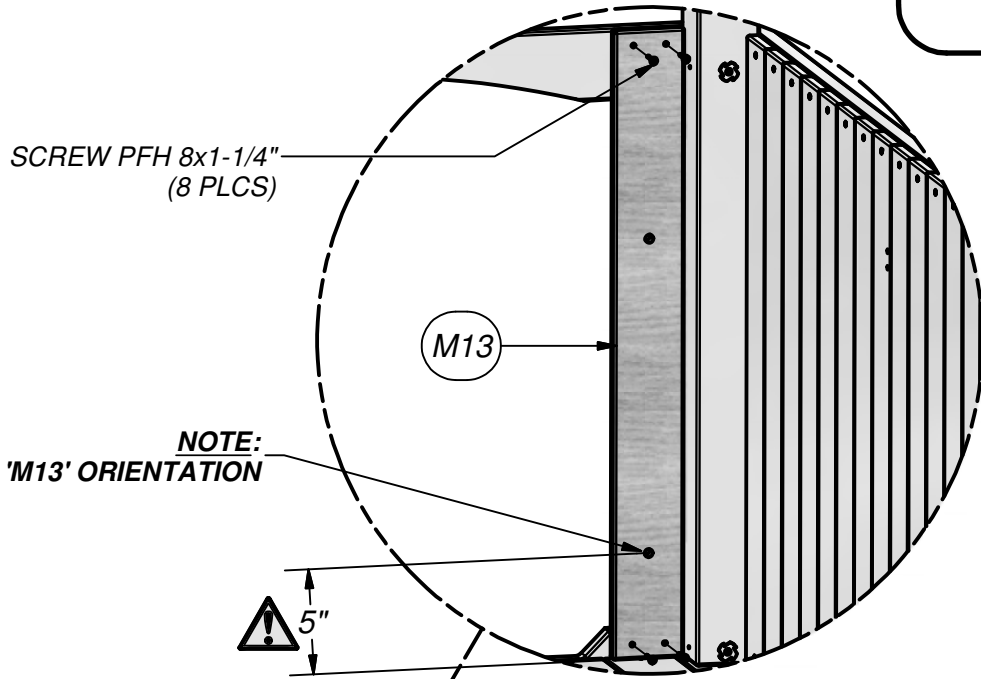
**INTERIOR VIEW
(RIGHT UPPER WALL)
SMALL FORT**



(2) M13 - WALL BOARD - W4L07960
5/8"x3 3/8"x30" (16x86x762)



STEP 68



**INTERIOR VIEW
(FRONT UPPER WALL)
SMALL FORT**

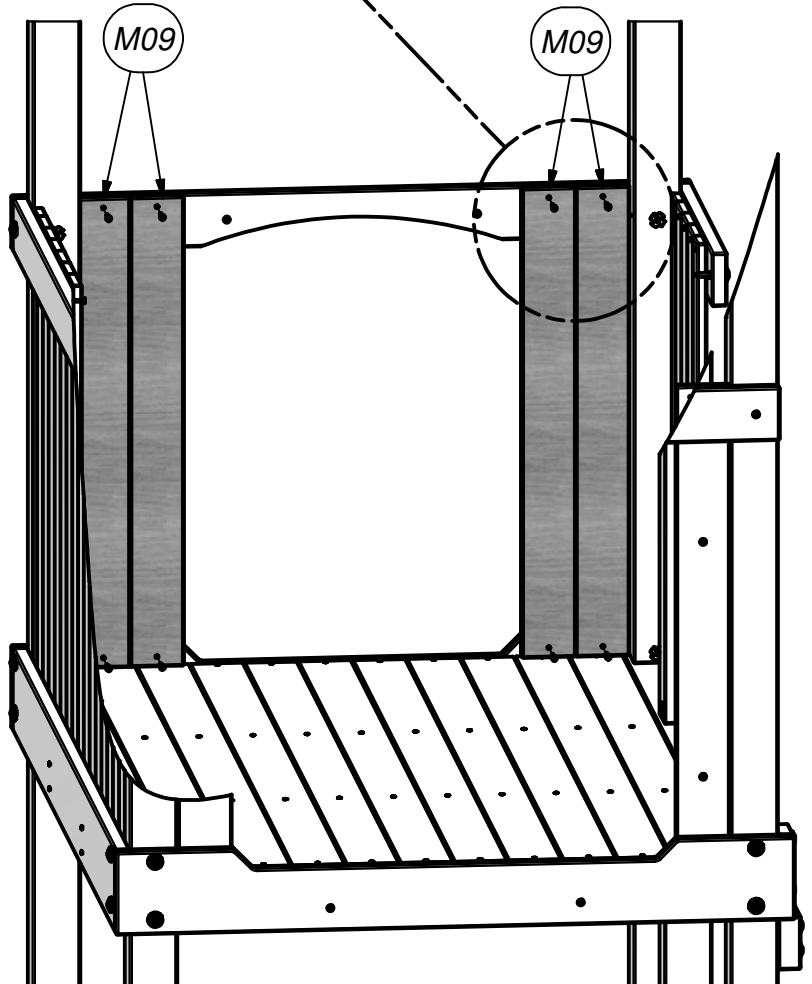
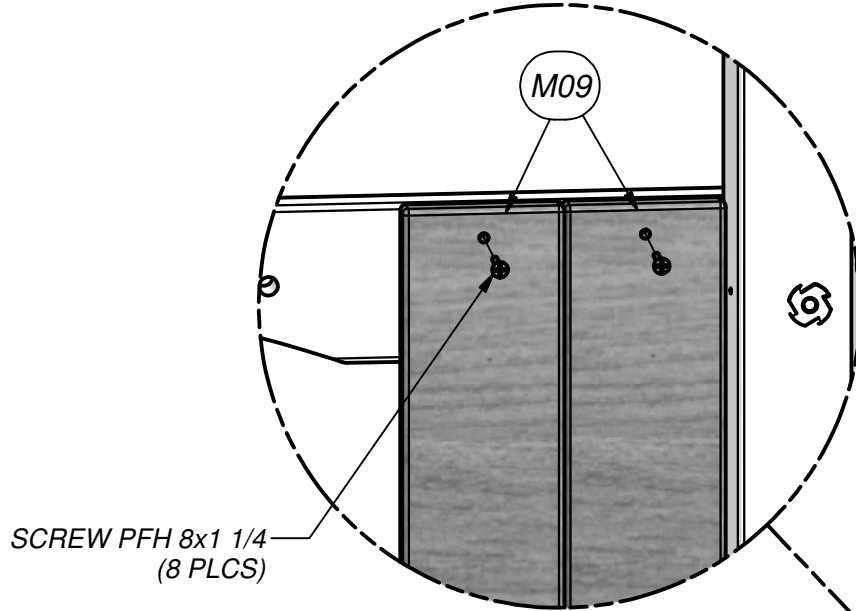


(4) M09 - WALL BOARD - W4L07911
5/8"x3 3/8"x30" (16x86x762)



(8) SCREW PFH
8x1 1/4

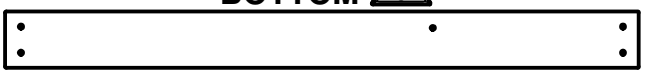
STEP 69



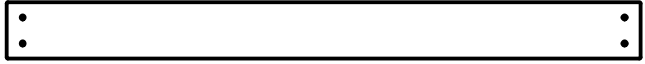
**INTERIOR VIEW
(BACK WALL BOARDS)
SMALL FORT**

FRONT

BOTTOM 



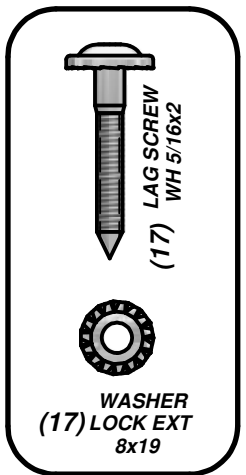
(1) **K07 - WALL RAIL - W4L07954**
5/8"x5 1/4"x59 1/2" (16x134x1510)



(1) **K10 - WALL RAIL - W4L07953**
5/8"x5 1/4"x59 1/2" (16x134x1510)



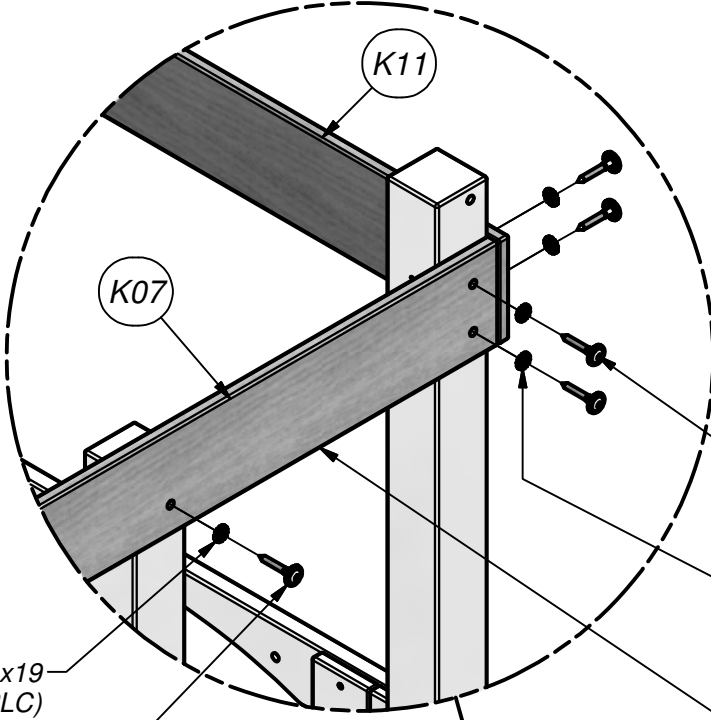
(2) **K11 - WALL RAIL - W4L07955**
5/8"x5 1/4"x42" (16x134x1068)



LAG SCREW
WH 5/16x2
(17)

WASHER
(17) **LOCK EXT**
8x19

STEP 70



K11

K07

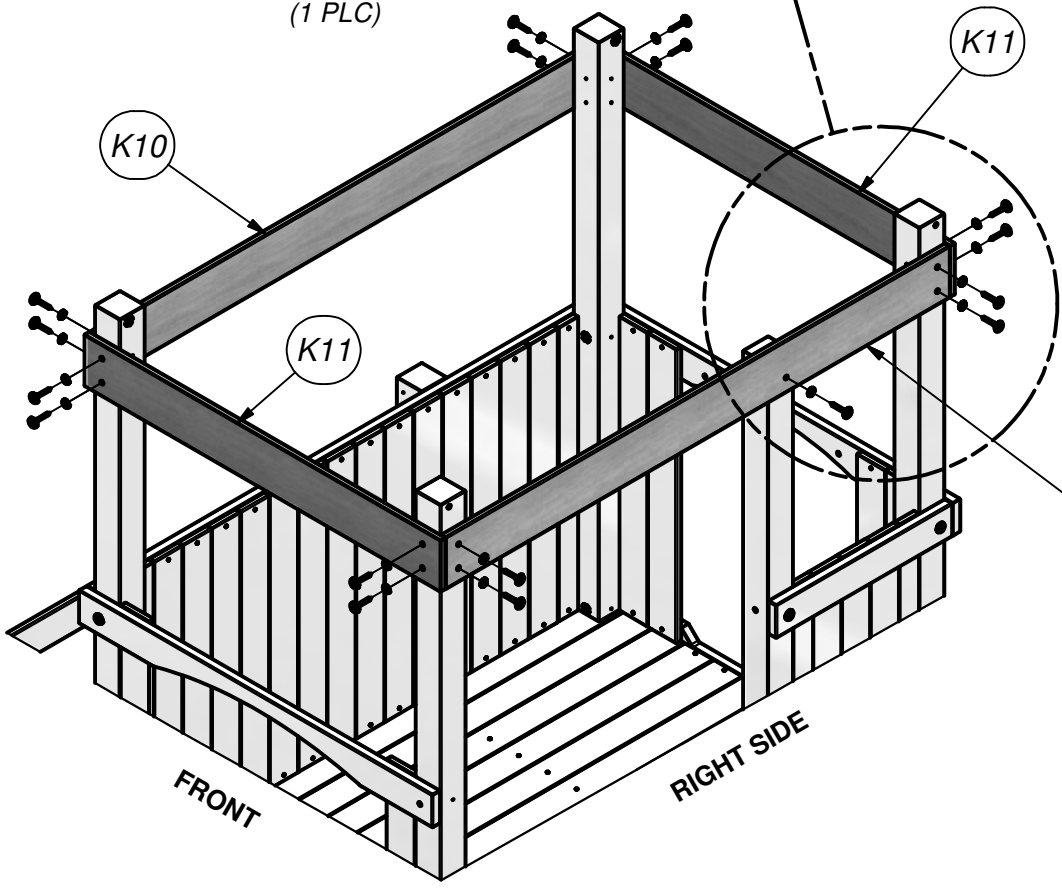
LAG SCREW WH 5/16x2
(16 PLCS)

WASHER LOCK EXT 8x19
(16 PLCS)

BOTTOM 

WASHER LOCK EXT 8x19
(1 PLC)

LAG SCREW WH 5/16x2
(1 PLC)



K10

K11

K11

K07

NOTE:
'K07' ORIENTATION

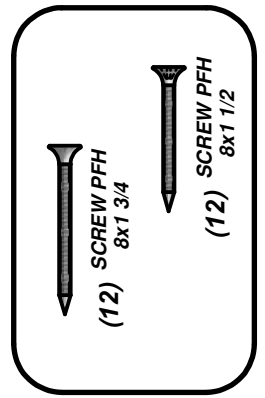
FRONT

RIGHT SIDE

EXTERIOR VIEW
(UPPER WALL RAILS)
SMALL FORT

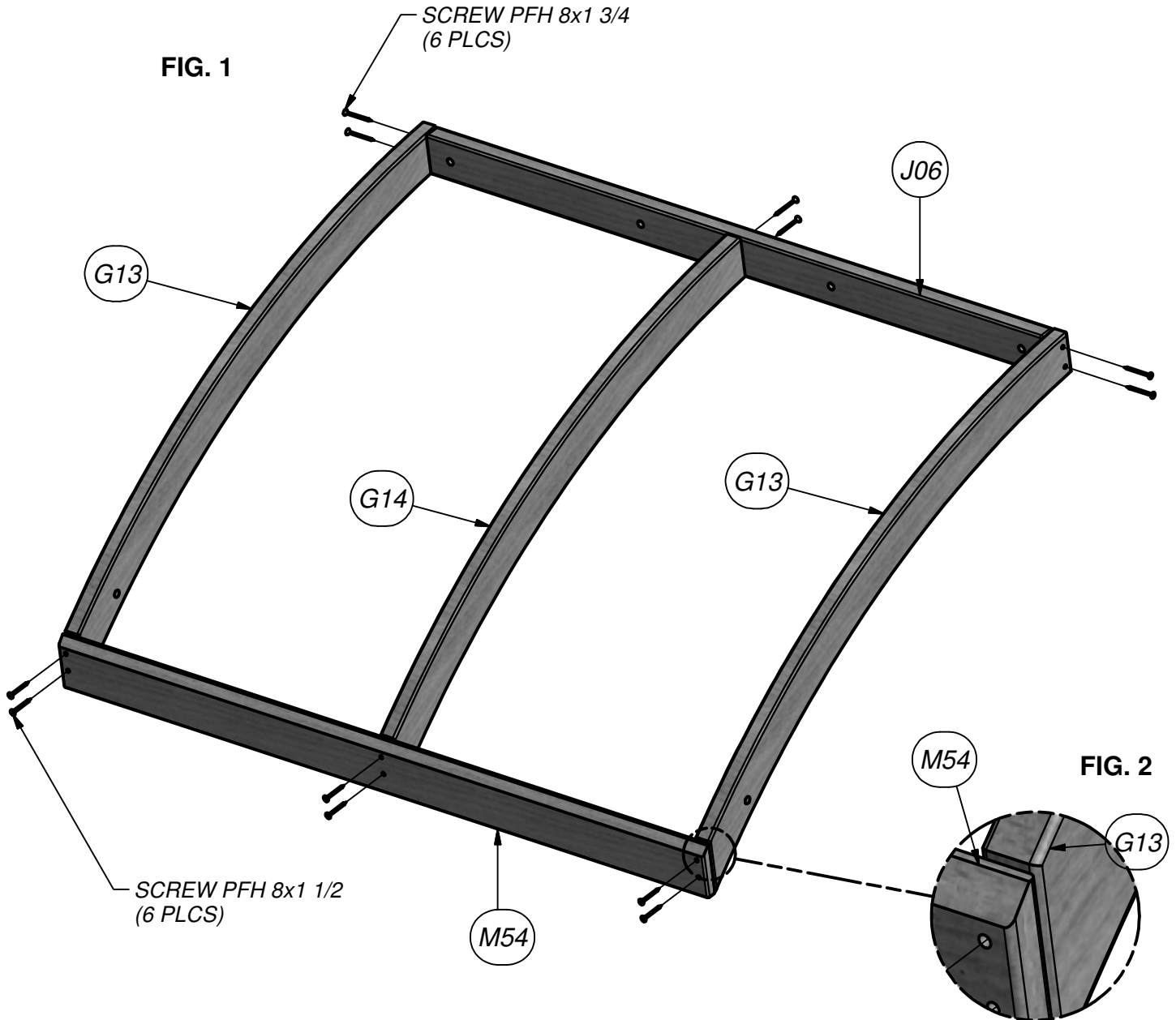
- (4) **G13 - ROOF TRUSS - W4L07961**
1"x5 1/4"x35 7/8" (24x134x910)
- (2) **G14 - ROOF TRUSS - W4L07966**
15/16"x5 1/4"x35 1/16" (24x134x890)

- (2) **M54 - ROOF RAIL - W4L07965**
5/8"x3"x42 5/8" (16x76x1084)
- (2) **J06 - ROOF JOIST - W4L07964**
1"x2 3/8"x40 3/4" (24x60x1036)



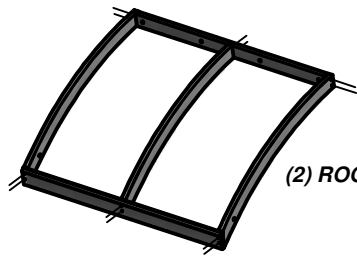
STEP 71

NOTE:
MAKE (2) ROOF TRUSS ASSEMBLIES

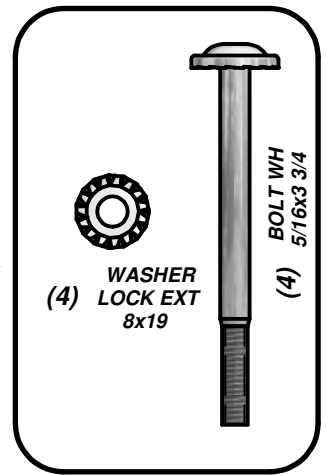


NOTE:
'M54' ORIENTATION

EXTERIOR VIEW
(ROOF TRUSS ASSEMBLY)
SMALL FORT



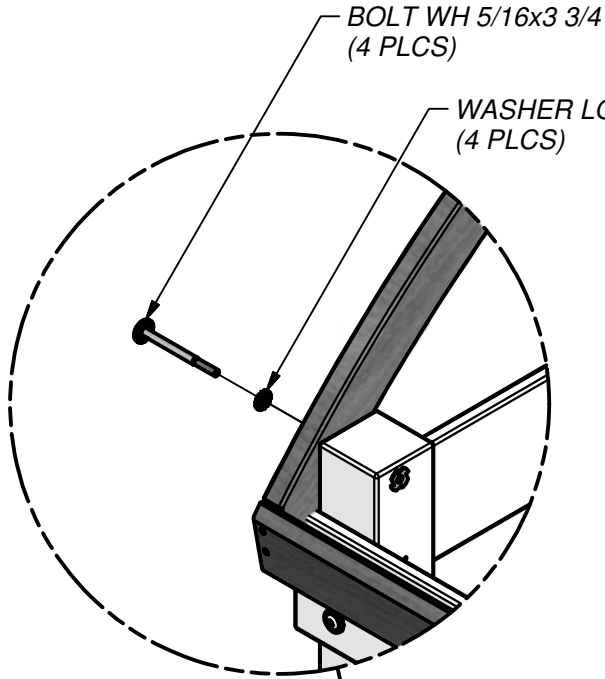
(2) ROOF TRUSS ASSEMBLY



(4) WASHER
LOCK EXT
8x19

(4) BOLT WH
5/16x3/4

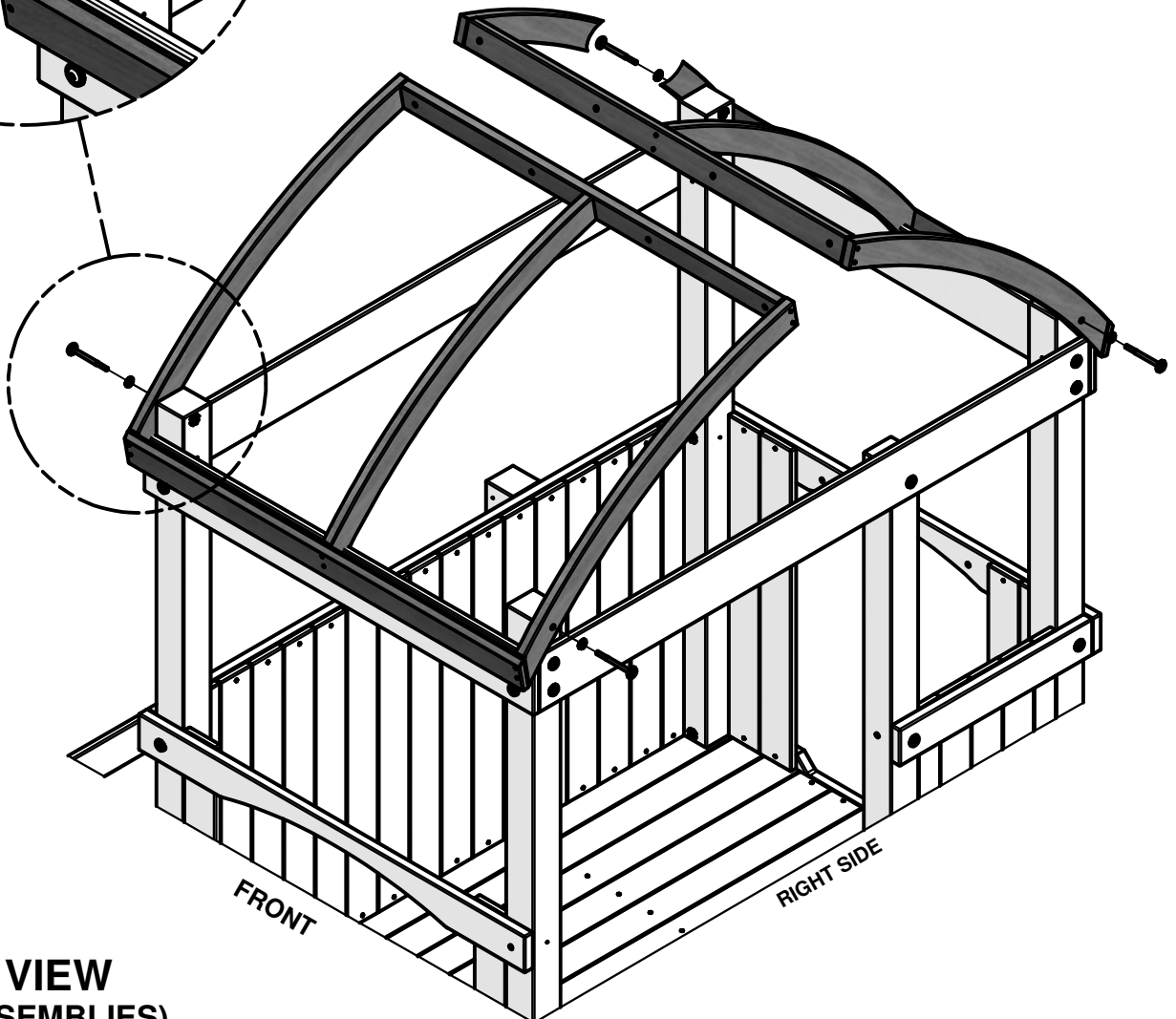
STEP 72



BOLT WH 5/16x3 3/4
(4 PLCS)

WASHER LOCK EXT 8x19
(4 PLCS)

NOTE:
HAND-TIGHTEN BOLTS ONLY
(4 PLCS)



FRONT

RIGHT SIDE

**EXTERIOR VIEW
(ROOF TRUSS ASSEMBLIES)
SMALL FORT**

STEP 73

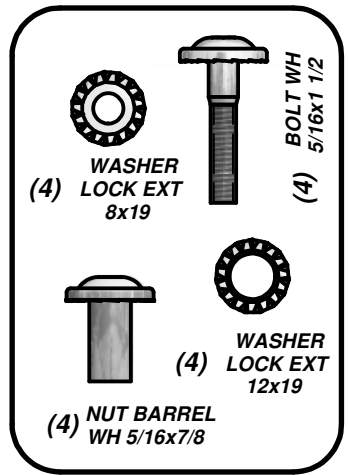
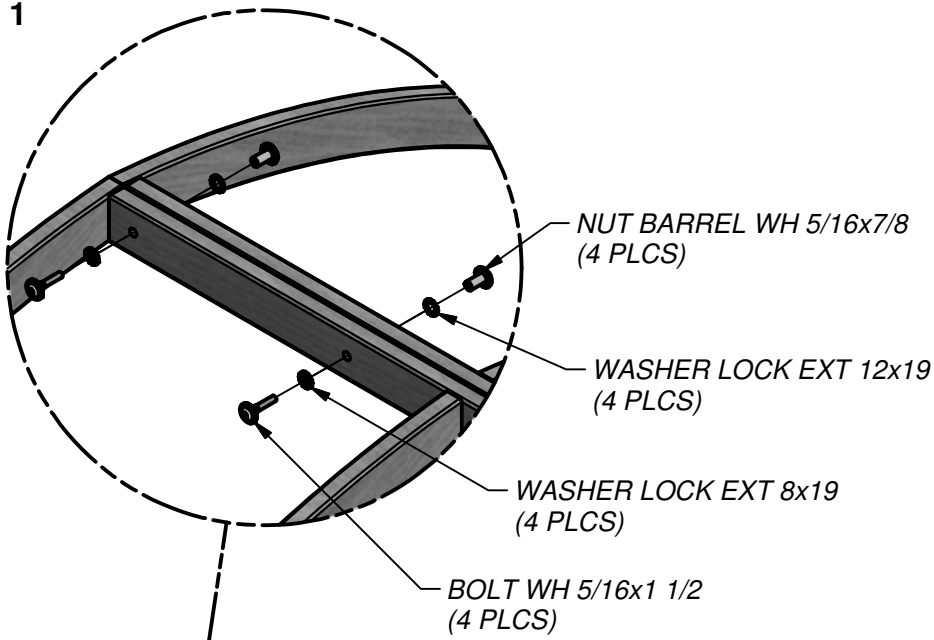
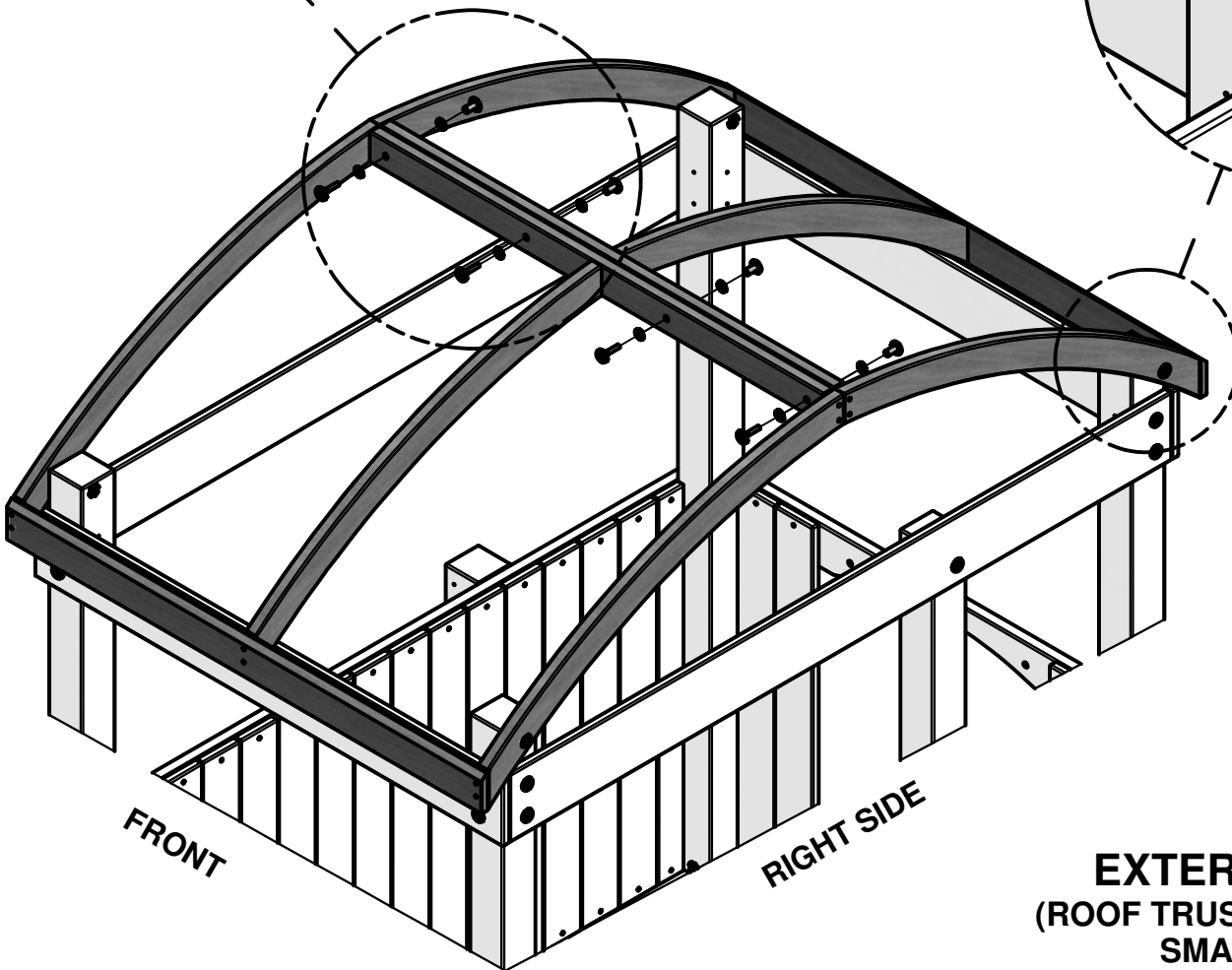
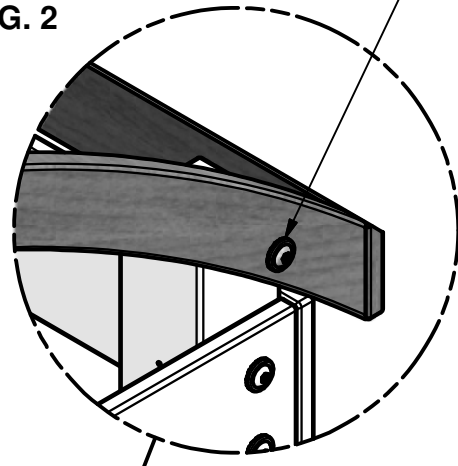


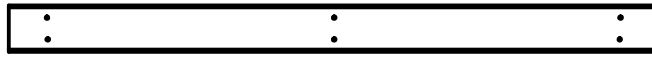
FIG. 1



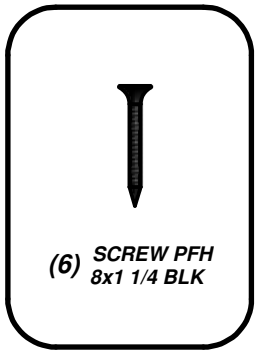
NOTE:
SECURE BOLTS
(4 PLCS)

FIG. 2





(1) **KC1 - ROOF CAP SHINGLE - W4L07967**
5/8"x3 3/8"x47 3/8" (16x86x1204)



(6) **SCREW PFH**
8x1 1/4 BLK

STEP 74

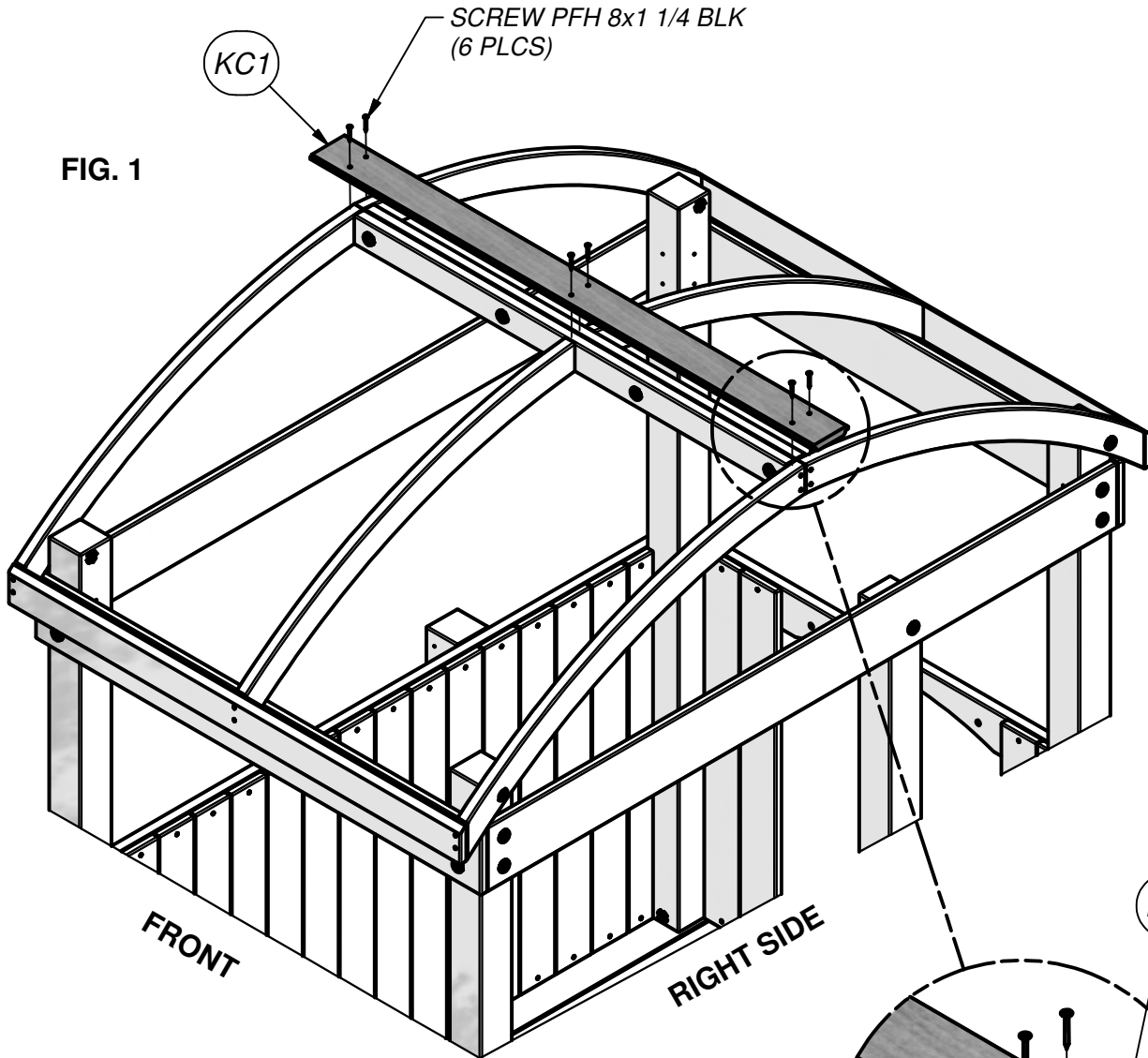


FIG. 1

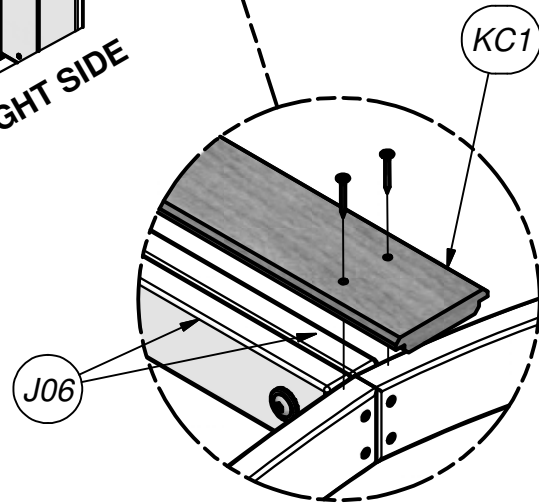


FIG. 2

INTERIOR VIEW
(ROOF CAP SHINGLE)
SMALL FORT

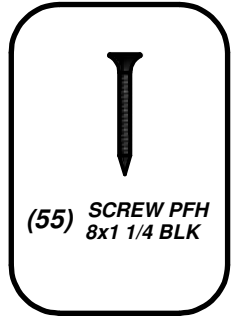
NOTE:
CENTER 'KC1' ROOF
CAP ON (2) 'J6' TRUSSES
WITH 2-3/8" OVERHANG



(1) KE3 - END SHINGLE - W4L07963
5/8"x5 1/4"x47 3/8" (16x134x1204)

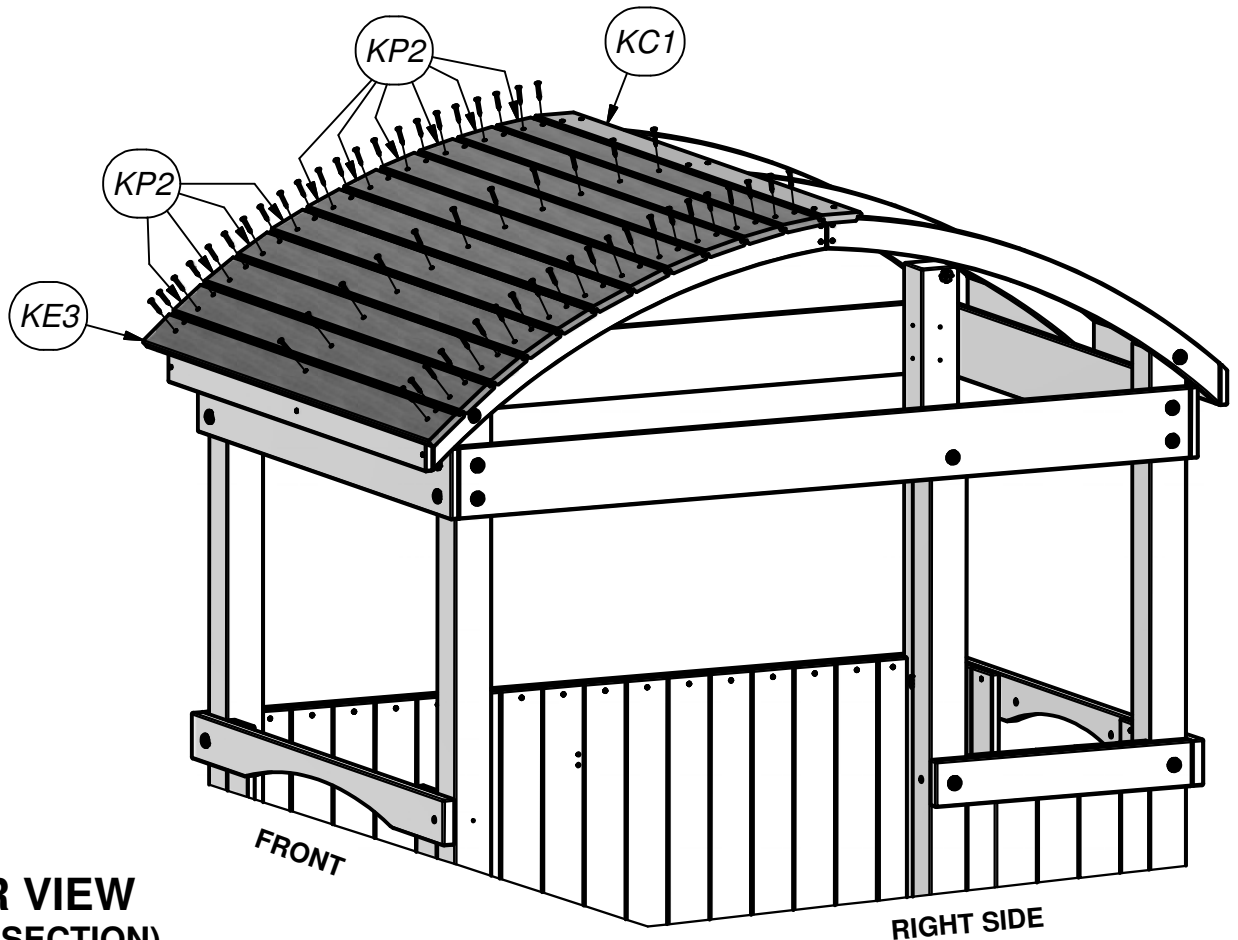
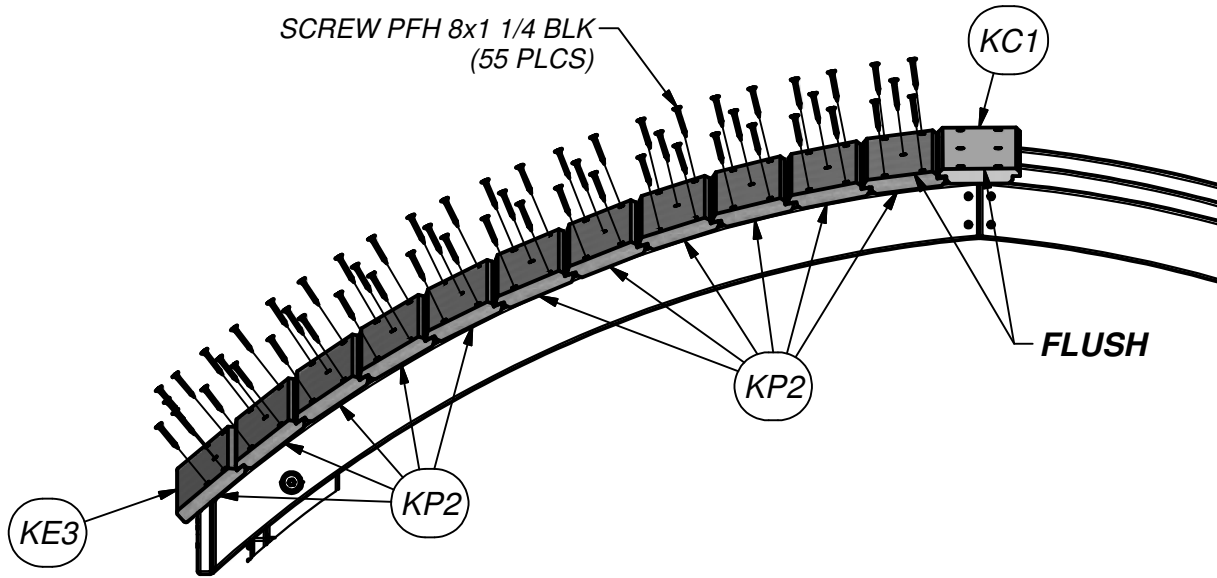


(10) KP2 - SHINGLE - W4L07962
5/8"x3 3/8"x47 3/8" (16x86x1204)



STEP 75

(55) SCREW PFH
8x1 1/4 BLK



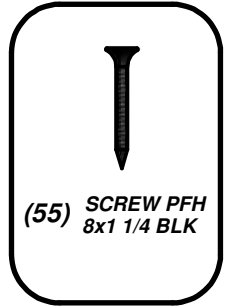
**EXTERIOR VIEW
(FRONT ROOF SECTION)
SMALL FORT**



(1) KE3 - END SHINGLE - W4L07963
5/8"x3 3/8"x47 3/8" (16x86x1204)

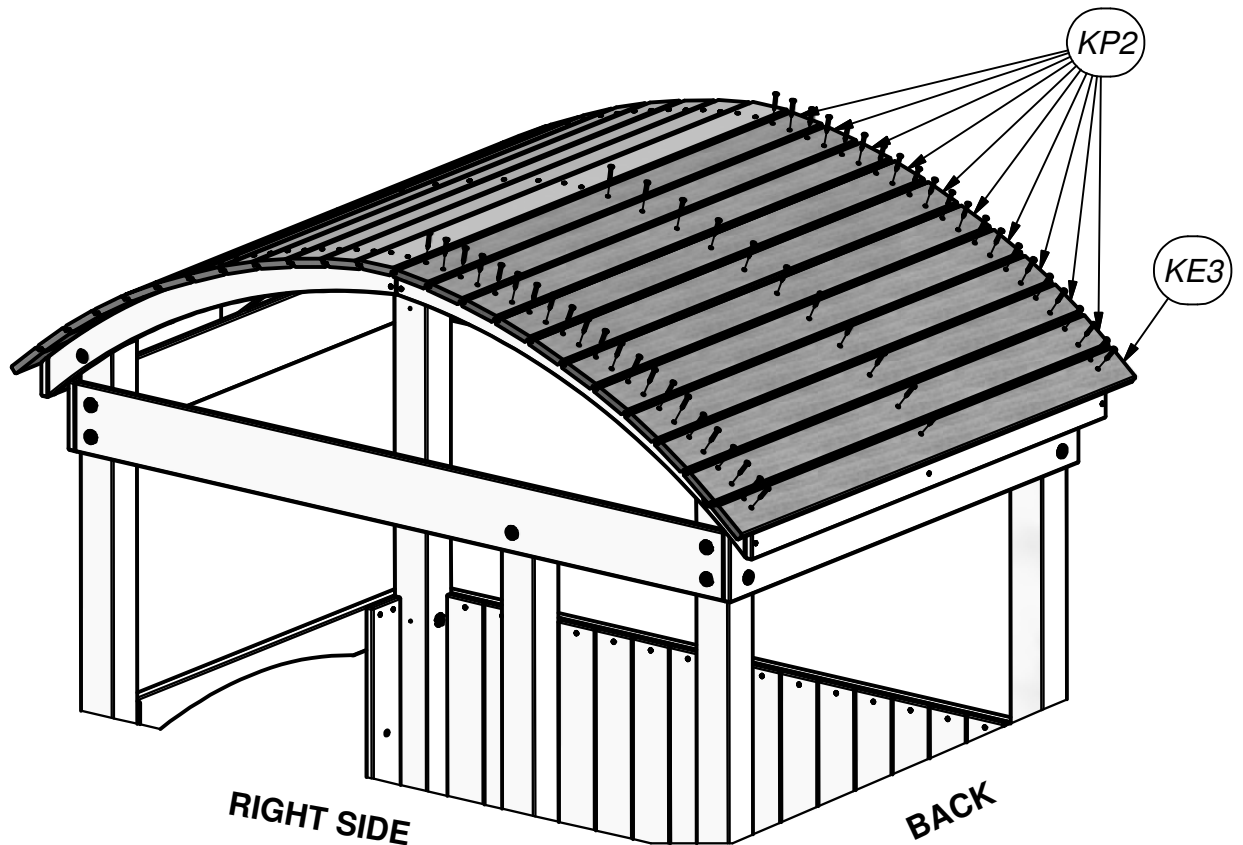
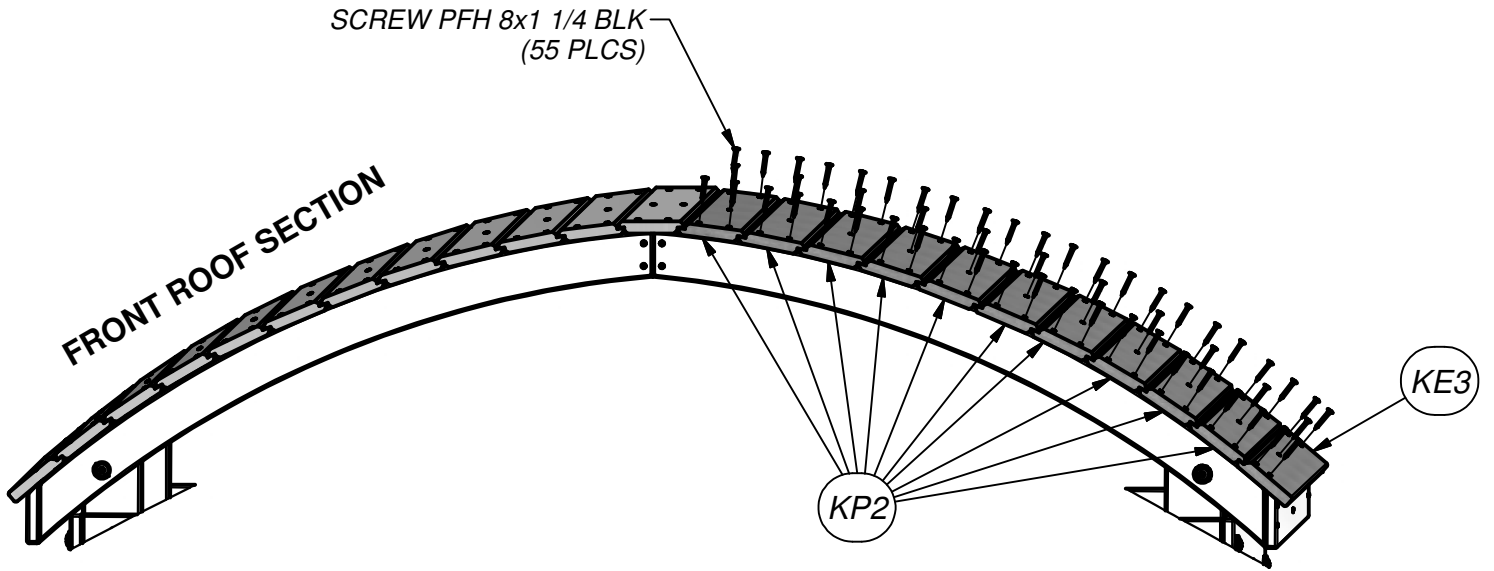


(10) KP2 - SHINGLE - W4L07962
5/8"x3 3/8"x47 3/8" (16x86x1204)

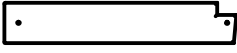

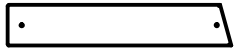
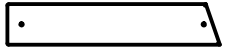


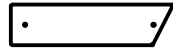
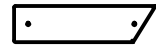
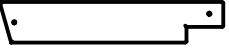
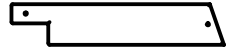


(55) SCREW PFH
8x1 1/4 BLK

STEP 76



**EXTERIOR VIEW
(BACK ROOF SECTION)
SMALL FORT**

- (2)  **M42 - WALL BOARD - W4L08025**
5/8"x3 3/8"x19 1/2" (16x86x494)
- (2)  **M43 - WALL BOARD - W4L08026**
5/8"x3 3/8"x19 1/8" (16x86x486)
- (1)  **M44 - WALL BOARD - W4L08027**
5/8"x3 3/8"x18 5/8" (16x86x474)
- (1)  **M45 - WALL BOARD - W4L08028**
5/8"x3 3/8"x17 3/4" (16x86x450)
- (2)  **M46 - WALL BOARD - W4L08029**
5/8"x3 3/8"x16 1/2" (16x86x420)
- (2)  **M47 - WALL BOARD - W4L08030**
5/8"x3 3/8"x15 1/8" (16x86x384)
- (2)  **M48 - WALL BOARD - W4L08031**
5/8"x3 3/8"x13 1/2" (16x86x344)
- (2)  **M49 - WALL BOARD - W4L08032**
5/8"x3"x11 3/4" (16x76x300)
- (1)  **M50 - WALL BOARD - W4L08290**
5/8"x3 3/8"x18 5/8" (16x86x474)
- (1)  **M51 - WALL BOARD - W4L08291**
5/8"x3 3/8"x17 3/4" (16x86x450)

STEP 77
INSTALL THE (2) M42 WALL BOARDS FIRST.

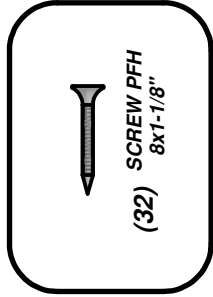


FIG. 1

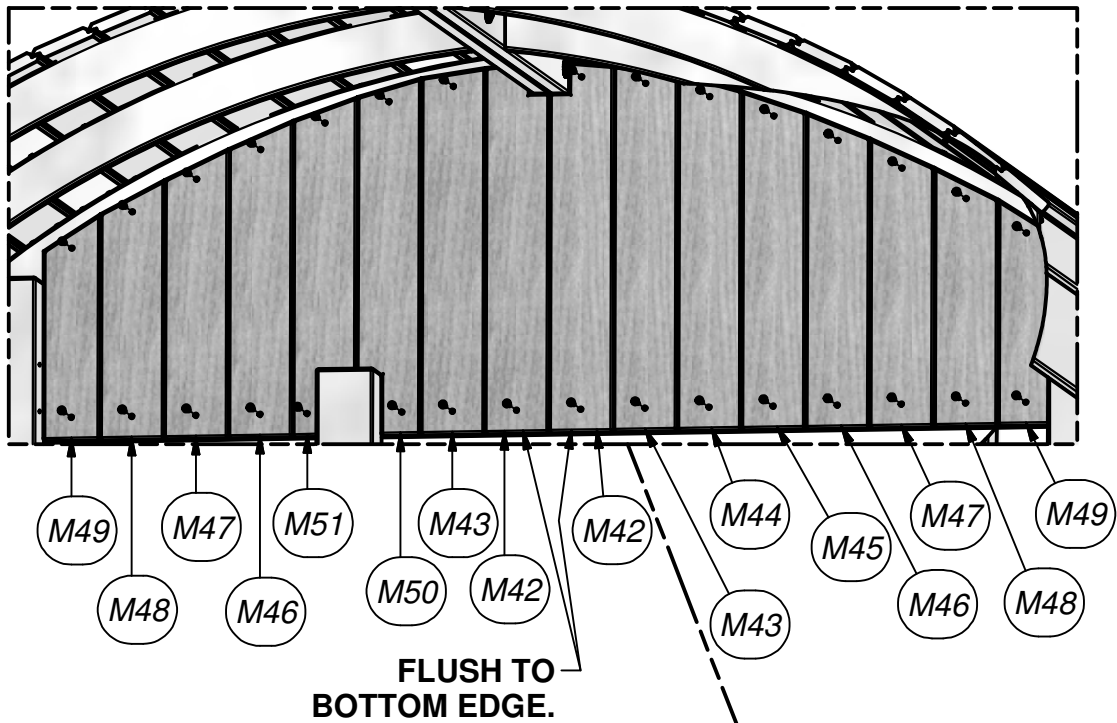
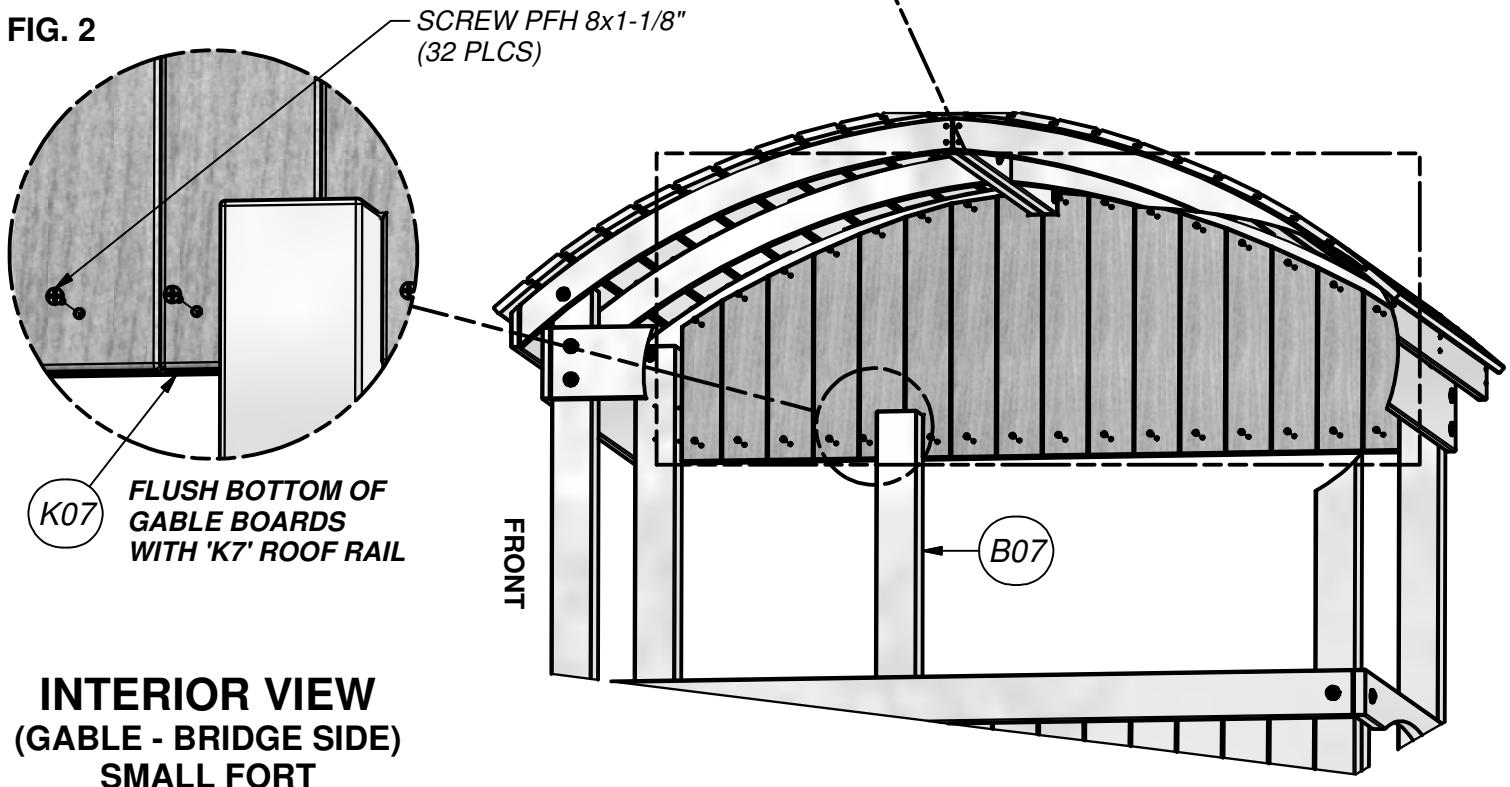


FIG. 2



INTERIOR VIEW
(GABLE - BRIDGE SIDE)
SMALL FORT

(2) **M42 - WALL BOARD - W4L08025**
5/8"x3 3/8"x19 1/2" (16x86x494)

(2) **M43 - WALL BOARD - W4L08026**
5/8"x3 3/8"x19 1/8" (16x86x486)

(2) **M44 - WALL BOARD - W4L08027**
5/8"x3 3/8"x18 5/8" (16x86x474)

(2) **M45 - WALL BOARD - W4L08028**
5/8"x3 3/8"x17 3/4" (16x86x450)

(2) **M46 - WALL BOARD - W4L08029**
5/8"x3 3/8"x16 1/2" (16x86x420)

(2) **M47 - WALL BOARD - W4L08030**
5/8"x3 3/8"x15 1/8" (16x86x384)

(2) **M48 - WALL BOARD - W4L08031**
5/8"x3 3/8"x13 1/2" (16x86x344)

(2) **M49 - WALL BOARD - W4L08032**
5/8"x3"x11 3/4" (16x76x300)

STEP 78
INSTALL THE (2) M42 WALL BOARDS FIRST.

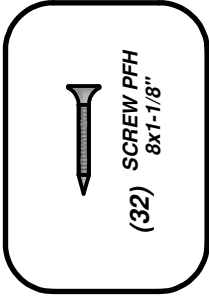


FIG. 1

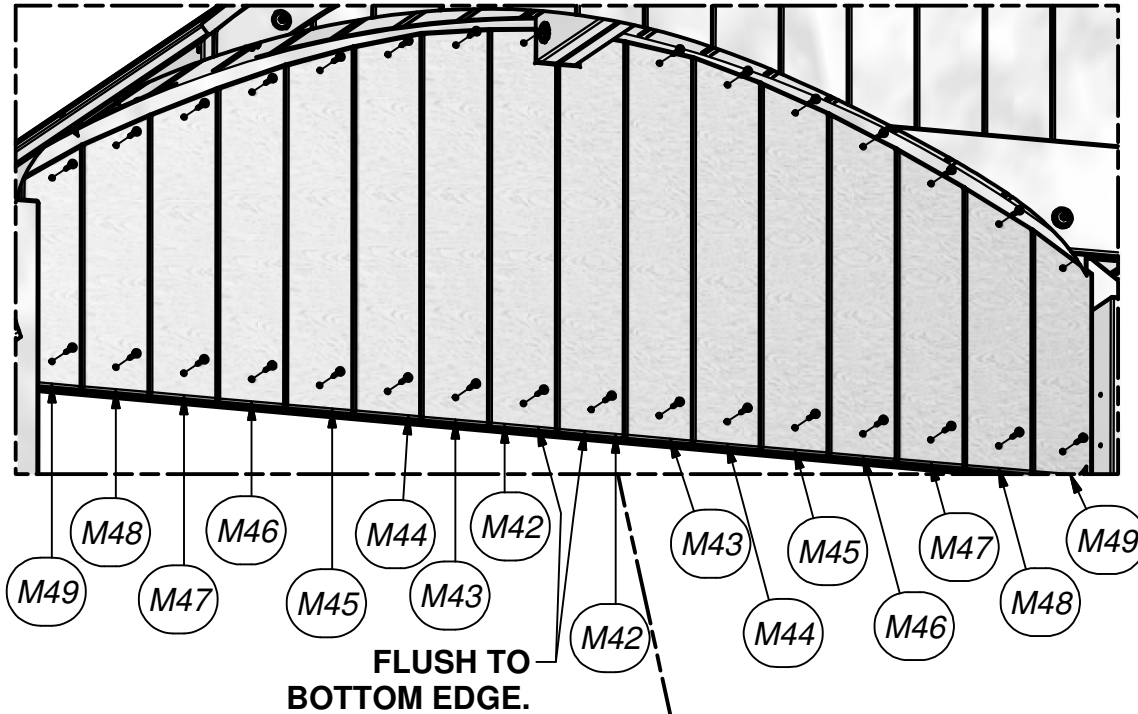
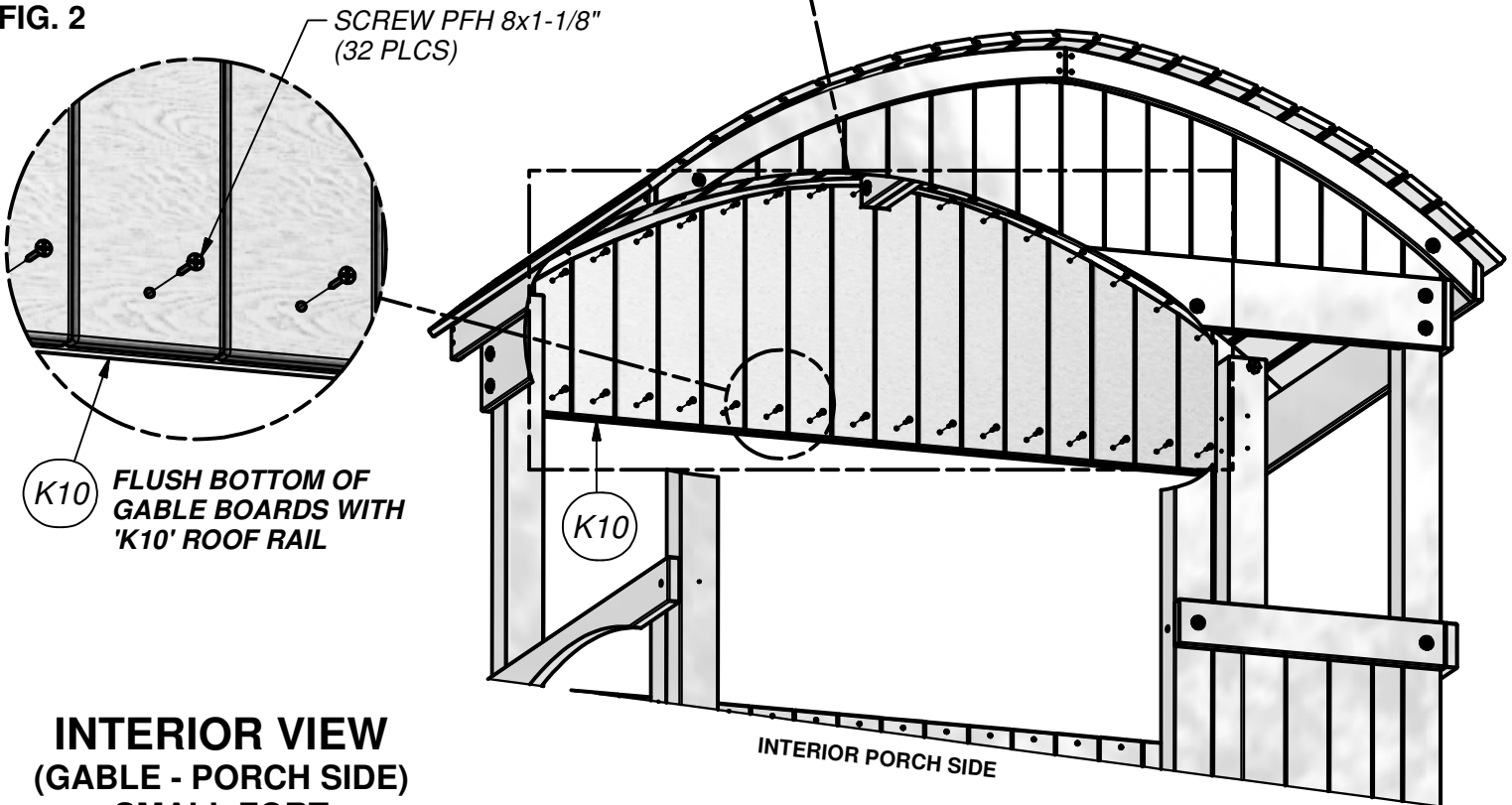
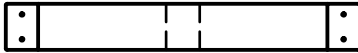


FIG. 2

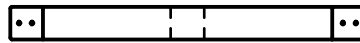


INTERIOR VIEW
(GABLE - PORCH SIDE)
SMALL FORT

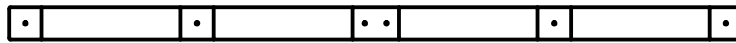
INTERIOR PORCH SIDE



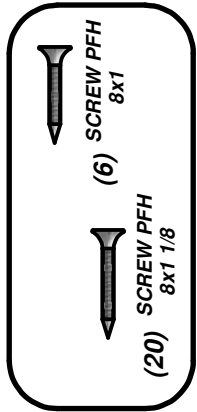
(1) **H33 - PICKET - W4L08294**
1"x3 3/8"x25 7/8" (24x86x656)



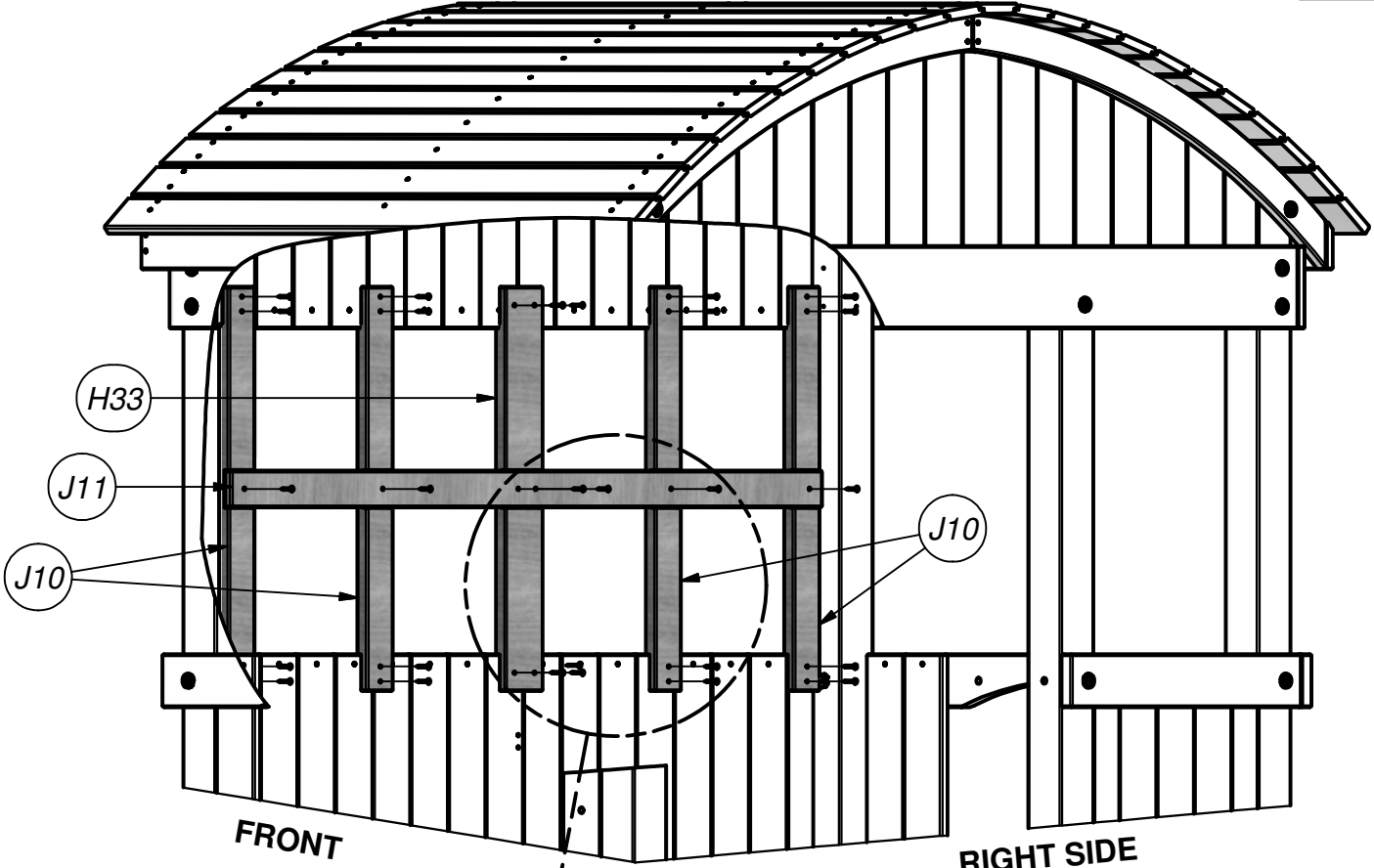
(4) **J10 - PICKET - W4L08293**
1"x2 3/8"x25 7/8" (24x60x656)



(1) **J11 - PICKET - W4L08295**
1"x2 3/8"x53 1/2" (24x60x1358)

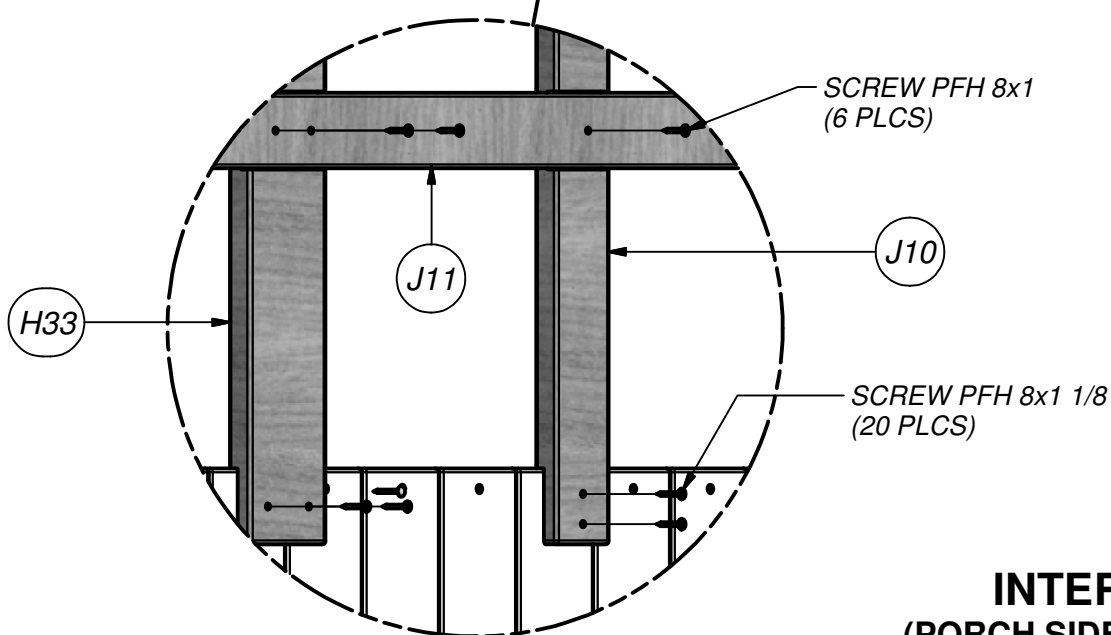


STEP 79



FRONT

RIGHT SIDE



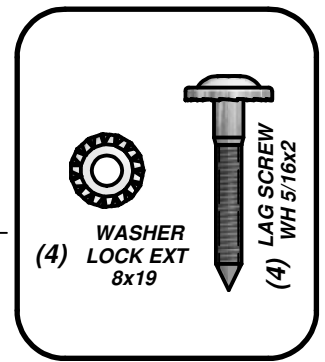
SCREW PFH 8x1
(6 PLCS)

SCREW PFH 8x1 1/8
(20 PLCS)

INTERIOR VIEW
(PORCH SIDE WINDOW FRAME)
SMALL FORT



(2) G15 - ROOF TRUSS - W4L07971
1 1/2"x5 1/4"x31 1/2" (37x134x801)



WASHER
LOCK EXT
8x19
(4)

LAG SCREW
WH 5/16x2
(4)

STEP 80

FIG. 1

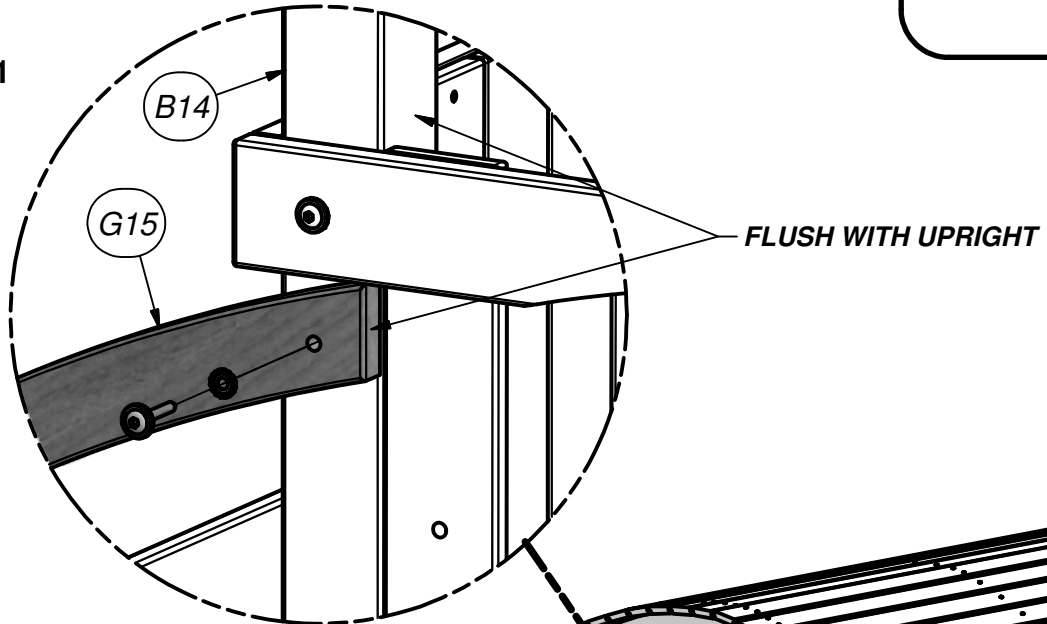
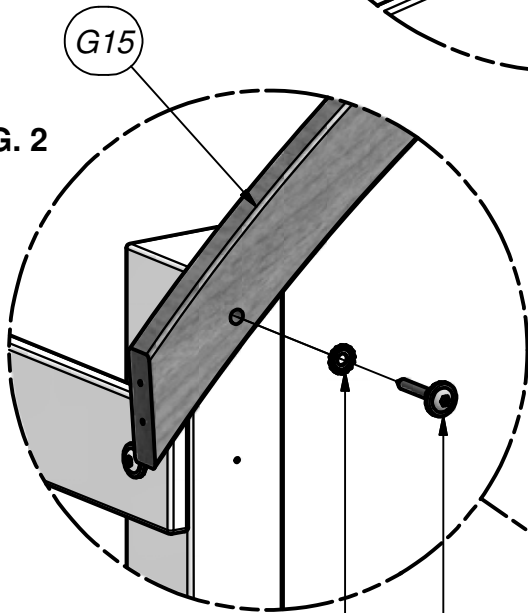


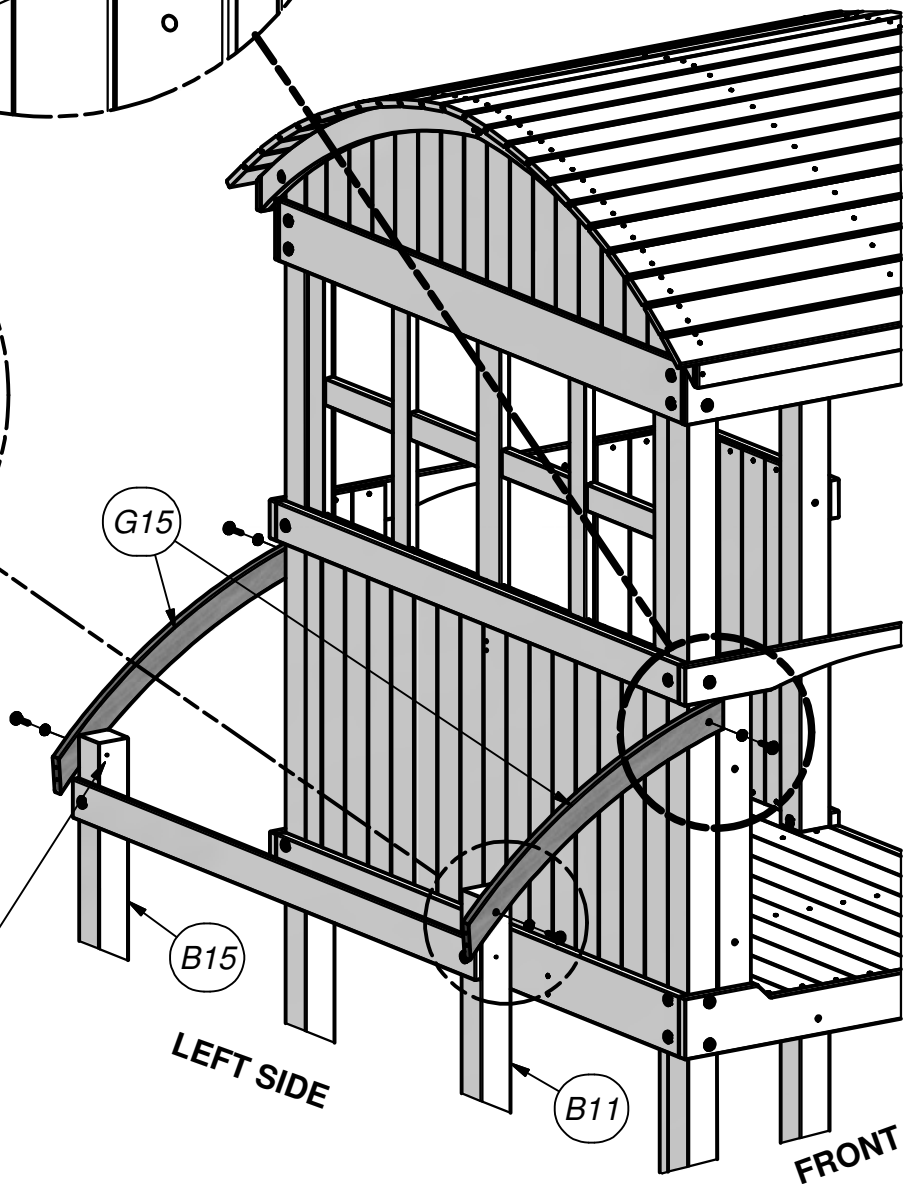
FIG. 2



WASHER LOCK EXT 8x19
(4 PLCS)

LAG SCREW WH 5/16x2
(4 PLCS)

LOCATE 'G15' TRUSSES
USING OFF-SET PILOT HOLE



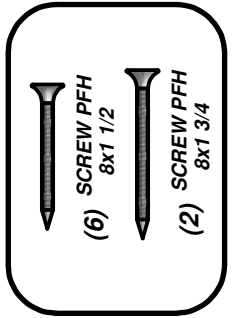
**EXTERIOR VIEW
(PORCH SIDE OUTER TRUSSES)
SMALL FORT**



(1) G16 - ROOF TRUSS - W4L07975
1"x5 1/4"x28 3/4" (24x134x731)



(1) M55 - ROOF RAIL - W4L07973
5/8"x3 3/8"x61 3/8" (16x86x1558)



(6) SCREW PFH
8x1 1/2

(2) SCREW PFH
8x1 3/4

STEP 81

FIG. 1

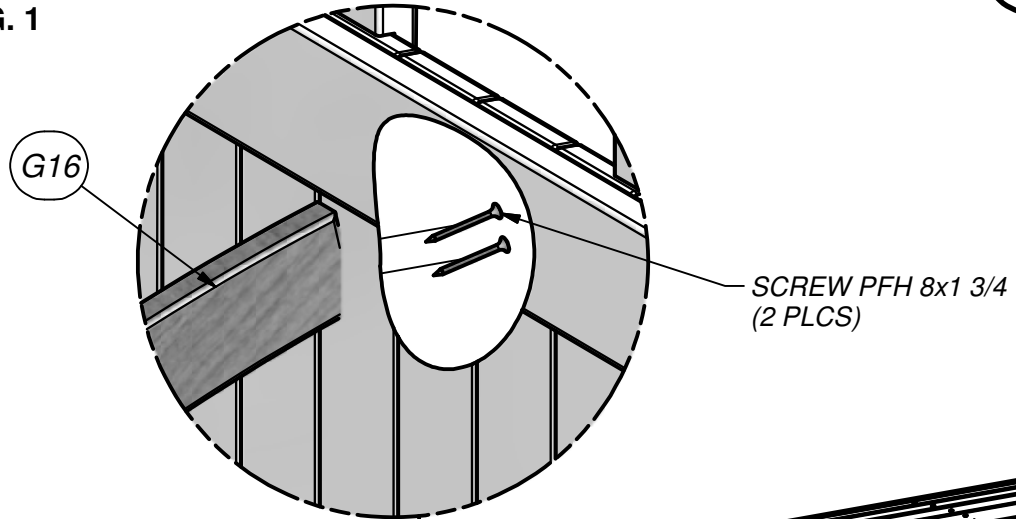
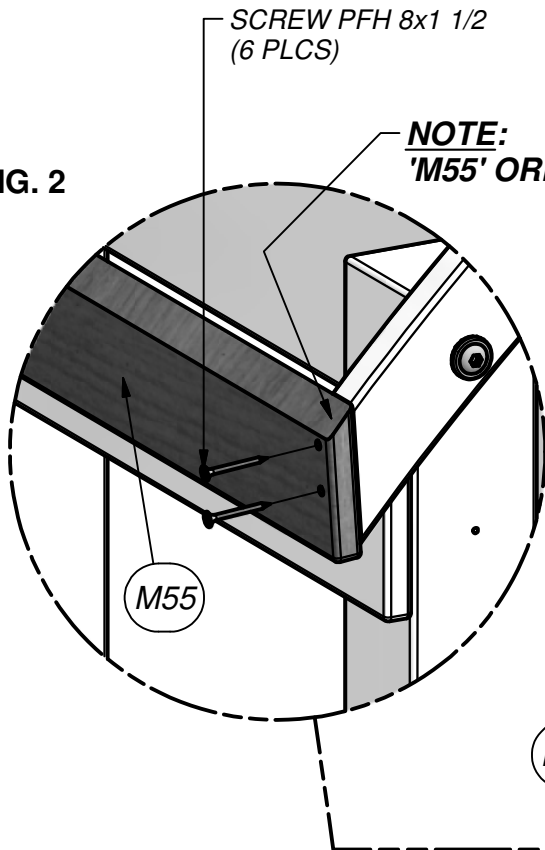
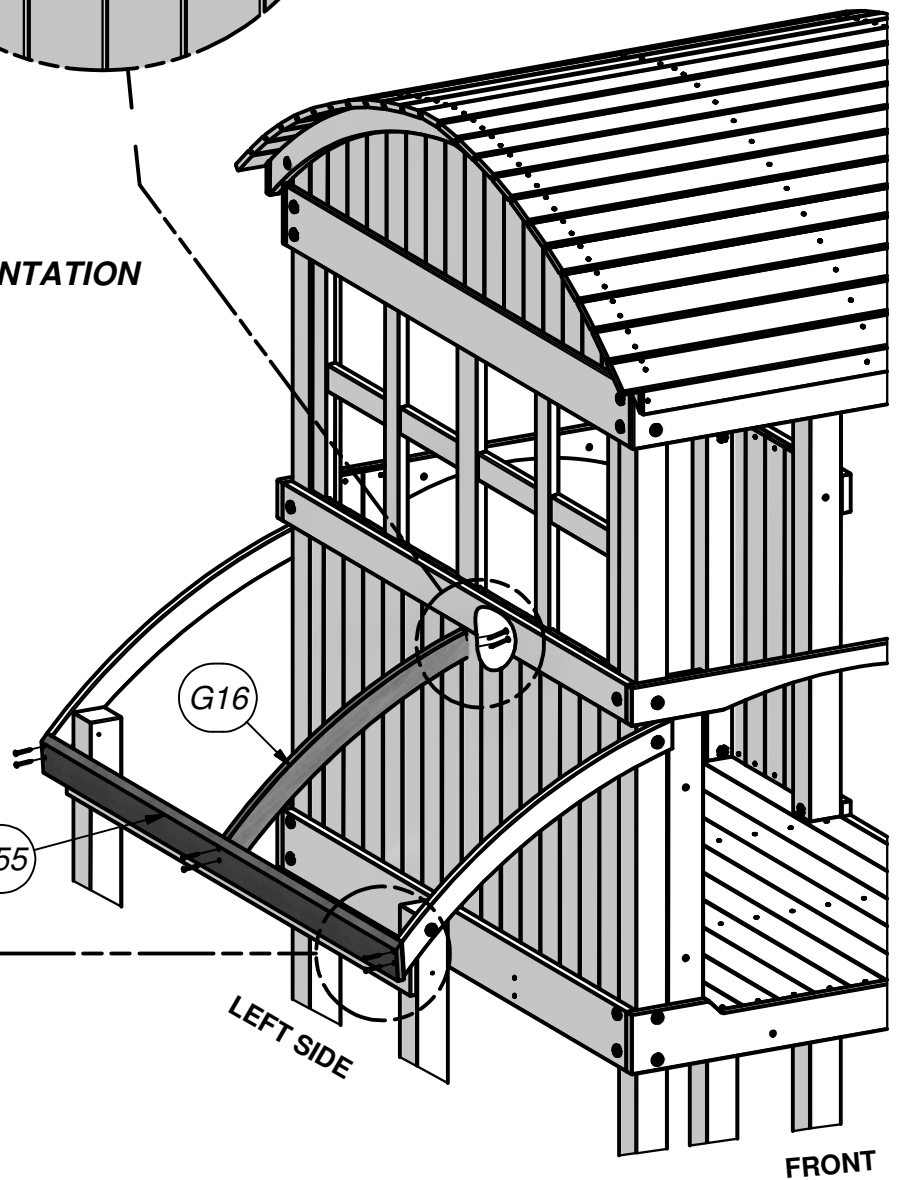


FIG. 2



**EXTERIOR VIEW
(LEFT SIDE ROOF SUPPORTS)
SMALL FORT**

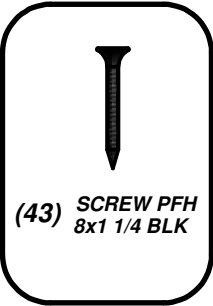




(2) KE4 - END SHINGLE - W4L07969
5/8"x3 3/8"x66 1/8" (16x86x1680)



(7) KP3 - SHINGLE - W4L07970
5/8"x3 3/8"x66 1/8" (16x86x1680)

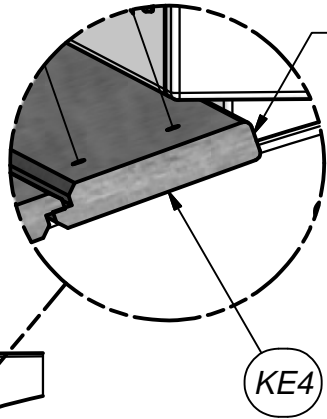
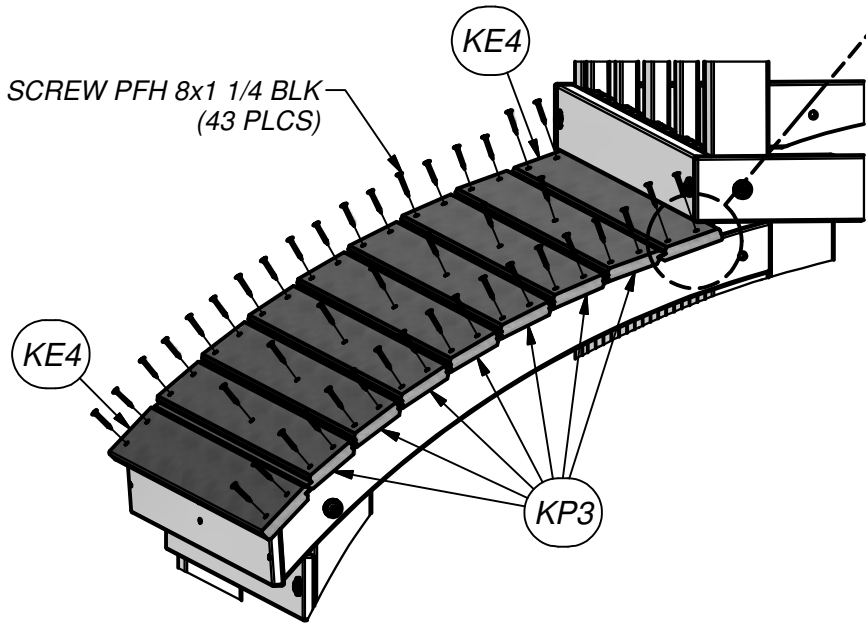


(43) SCREW PFH
8x1 1/4 BLK

STEP 82

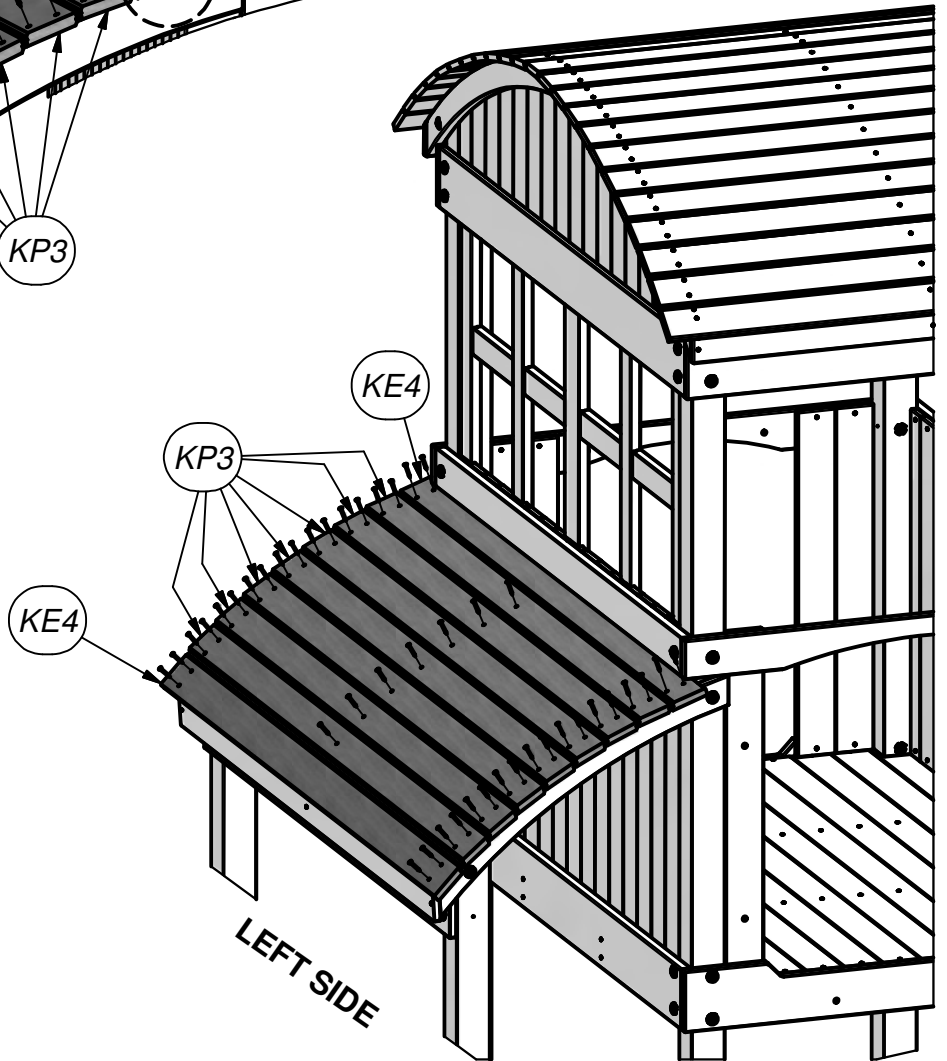
NOTE:
'KE4' ORIENTATION
(2 PLCS)

NOTE:
POSITION OF 'KE4'



NOTE:
SHINGLES HAVE
APPROXIMATELY
2-3/8" OVERHANG

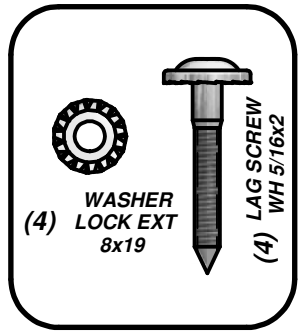
EXTERIOR VIEW
(PORCH ROOF ATTACHMENT)
SMALL FORT



FRONT



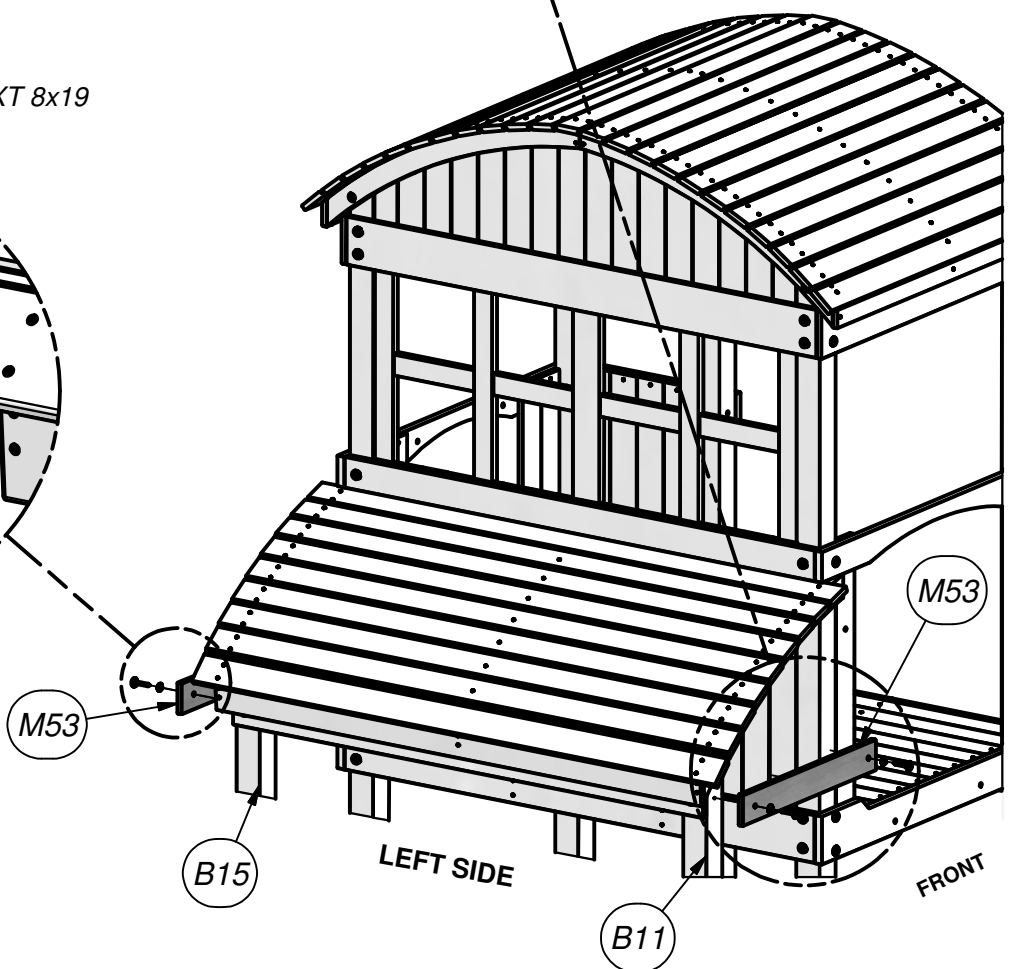
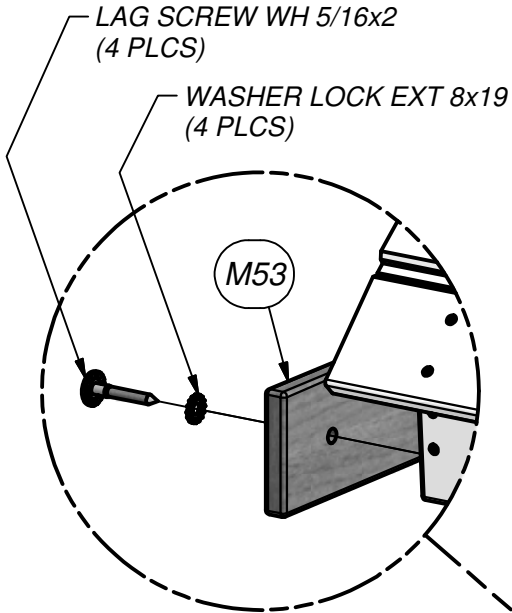
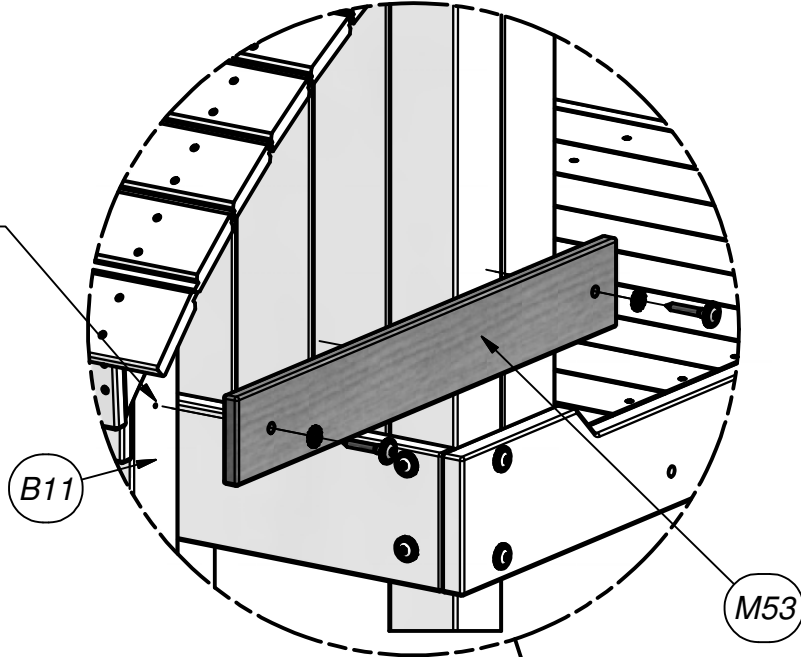
(2) M53 - WALL RAIL - W4L07974
5/8"x3 3/8"x24 1/2" (16x86x622)



STEP 83



NOTE:
LOCATE & LEVEL 'M53'
RAIL USING PILOT HOLES
ON 'B11' & 'B15' UPRIGHTS



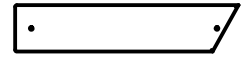
**EXTERIOR VIEW
(PORCH RAILS - LEFT SIDE)
SMALL FORT**



(2) M38 - WALL BOARD - W4L08020
5/8"x3 3/8"x18 7/8" (16x86x480)



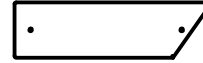
(2) M39 - WALL BOARD - W4L08021
5/8"x3 3/8"x17 3/4" (16x86x450)



(2) M40 - WALL BOARD - W4L08022
5/8"x3 3/8"x16 1/4" (16x86x414)

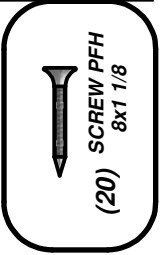


(2) M41 - WALL BOARD - W4L08024
5/8"x3 3/8"x11 5/8" (16x86x294)

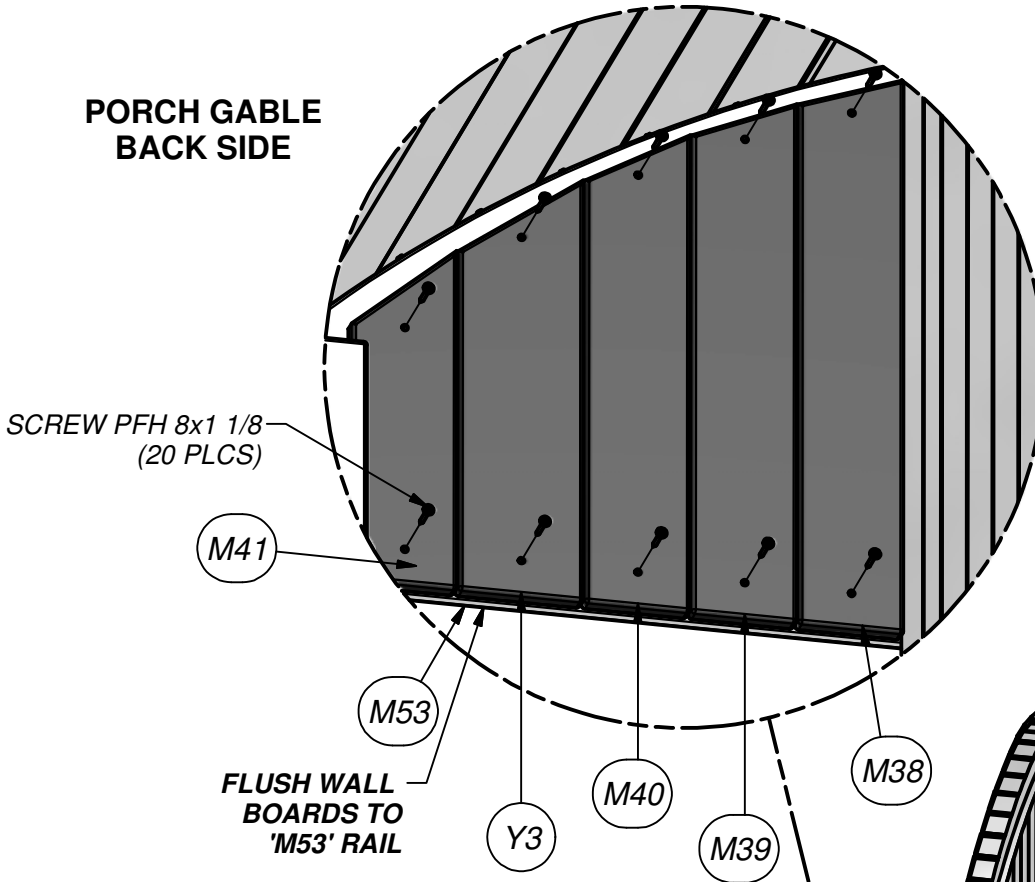


(2) Y3 - WALL BOARD - W4L08023
5/8"x4"x14 3/8" (16x102x366)

STEP 84

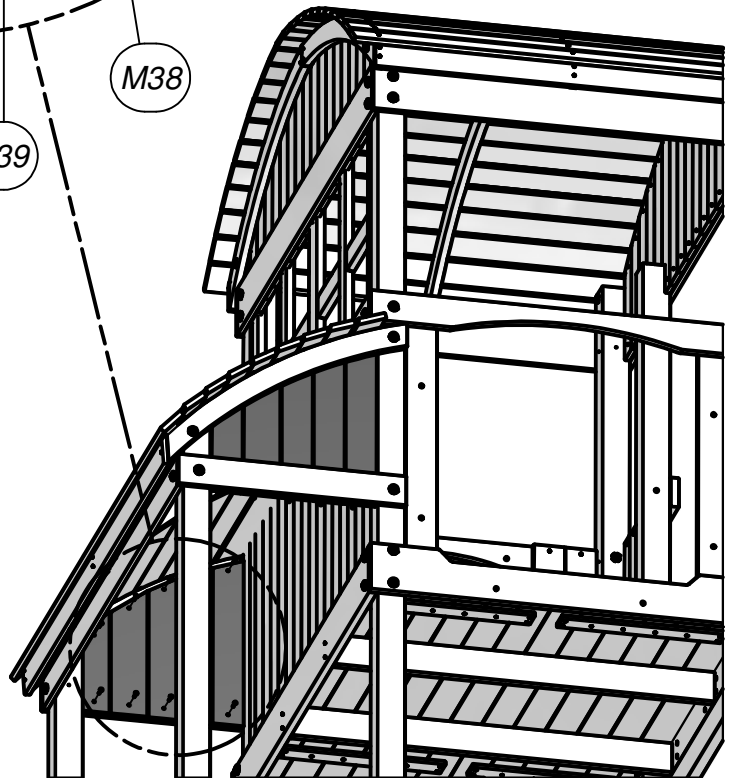


PORCH GABLE BACK SIDE



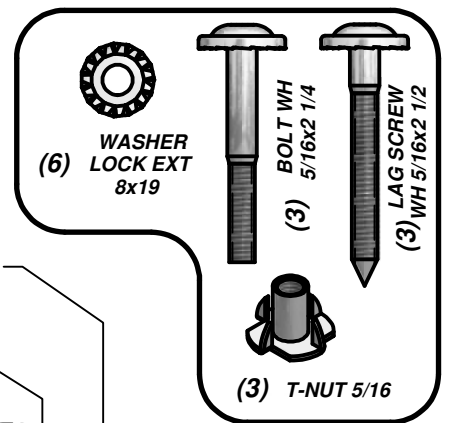
NOTE:
REPEAT FOR FRONT GABLE

LEFT SIDE



INTERIOR VIEW (LEFT SIDE PORCH GABLES) SMALL FORT

(3) E01 - GUSSET - W4L07897
 1 3/8"x3 3/8"x20" (36x86x508)



STEP 85

FIG. 1

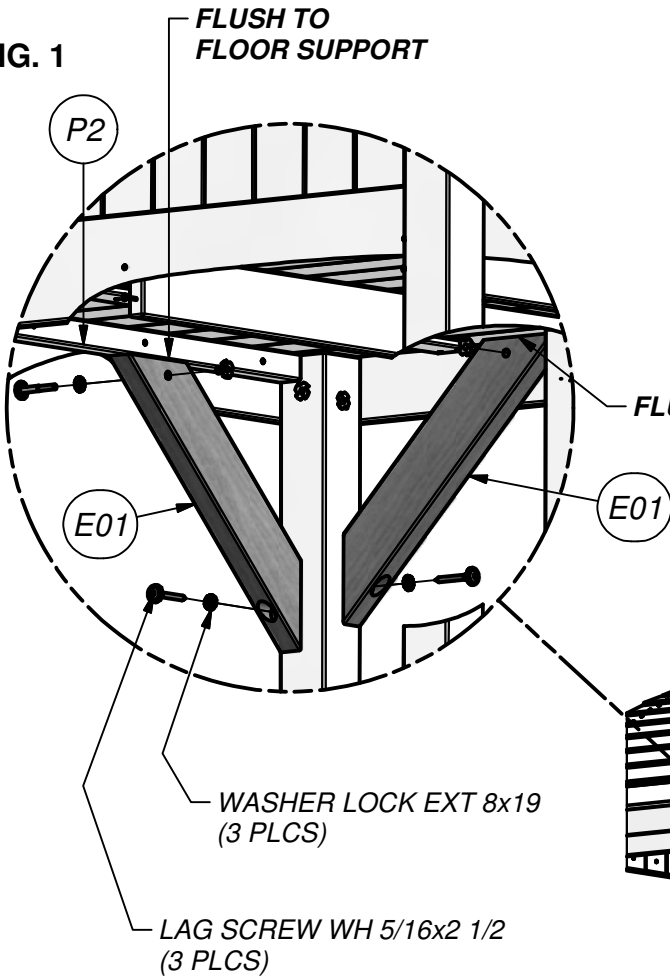
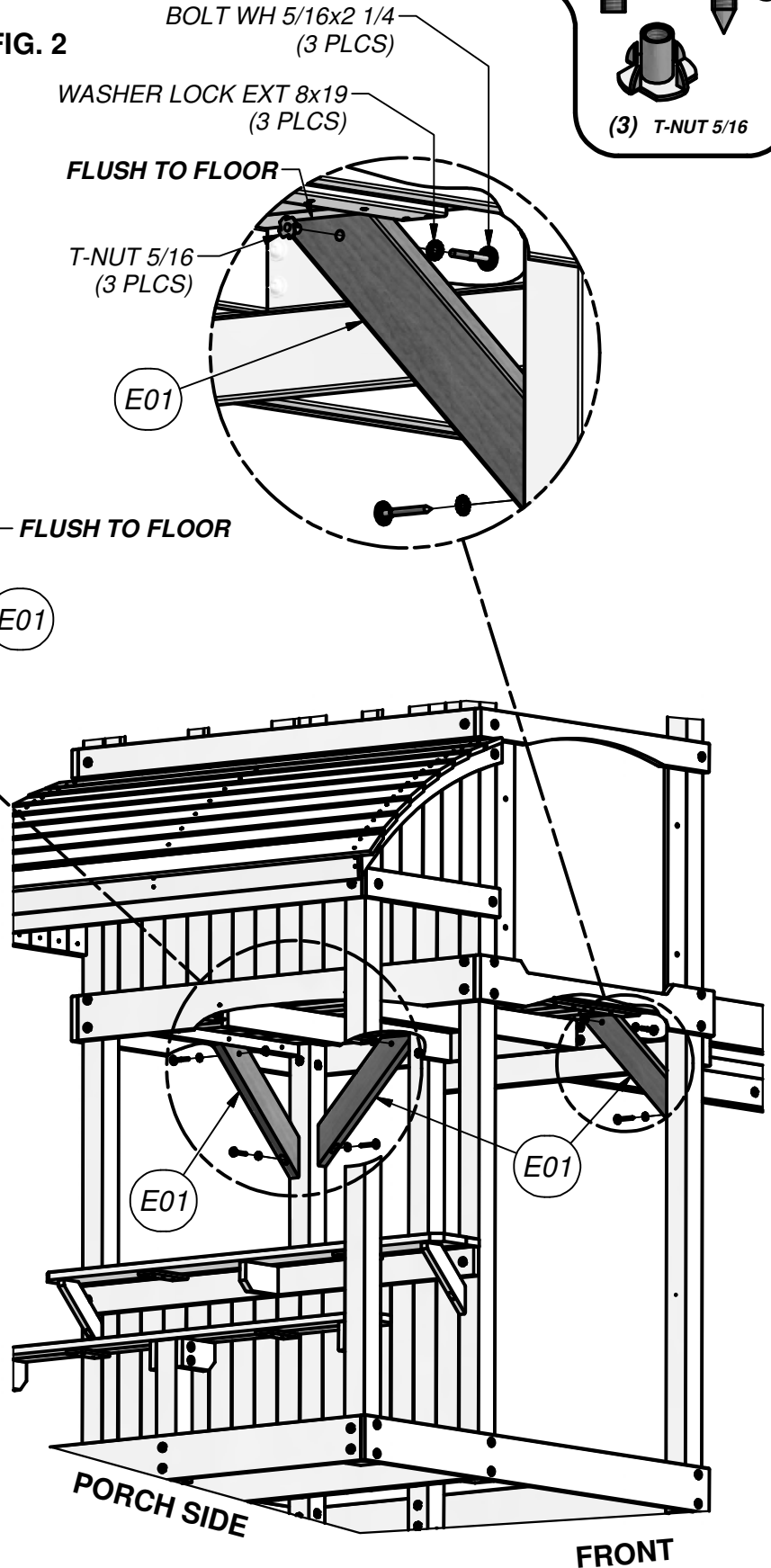


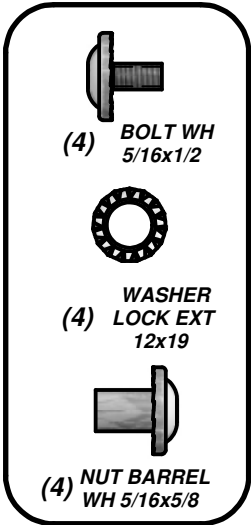
FIG. 2



**EXTERIOR VIEW
 (GUSSET ATTACHMENT)
 SMALL FORT**



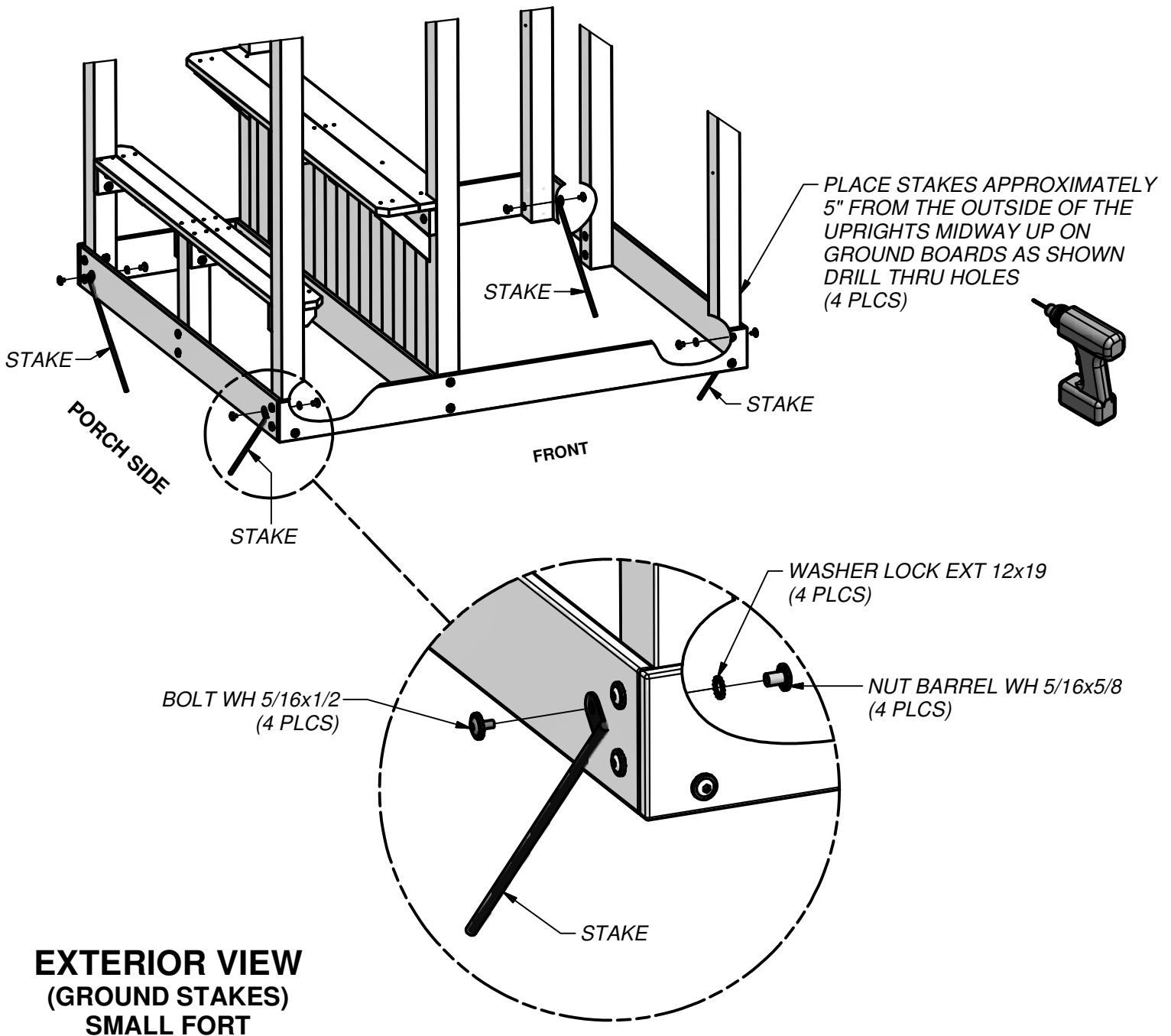
(4) - GROUND STAKE REBAR - A4M00527



STEP 86

TAP IN GROUND STAKES AT AN APPROXIMATE 45° ANGLE AT THE LOCATIONS SHOWN. USING GROUND STAKES AS A GUIDE, DRILL 7/16" DIA HOLES.

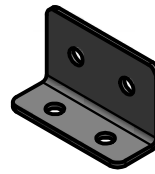
**NOTE:
FAILURE TO USE GROUND STAKES CAN
VOID WARRANTY & CAUSE INJURY!**



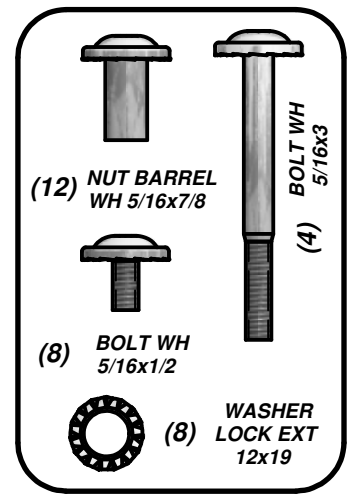
**EXTERIOR VIEW
(GROUND STAKES)
SMALL FORT**



(1) SP1 - BRIDGE JOIST - W4L07934
3 3/8"x3 3/8"x78 3/4" (86x86x2000)



(4) WM - L BRACKET 51x32x82x3.175 - A100396



(12) NUT BARREL
WH 5/16x7/8



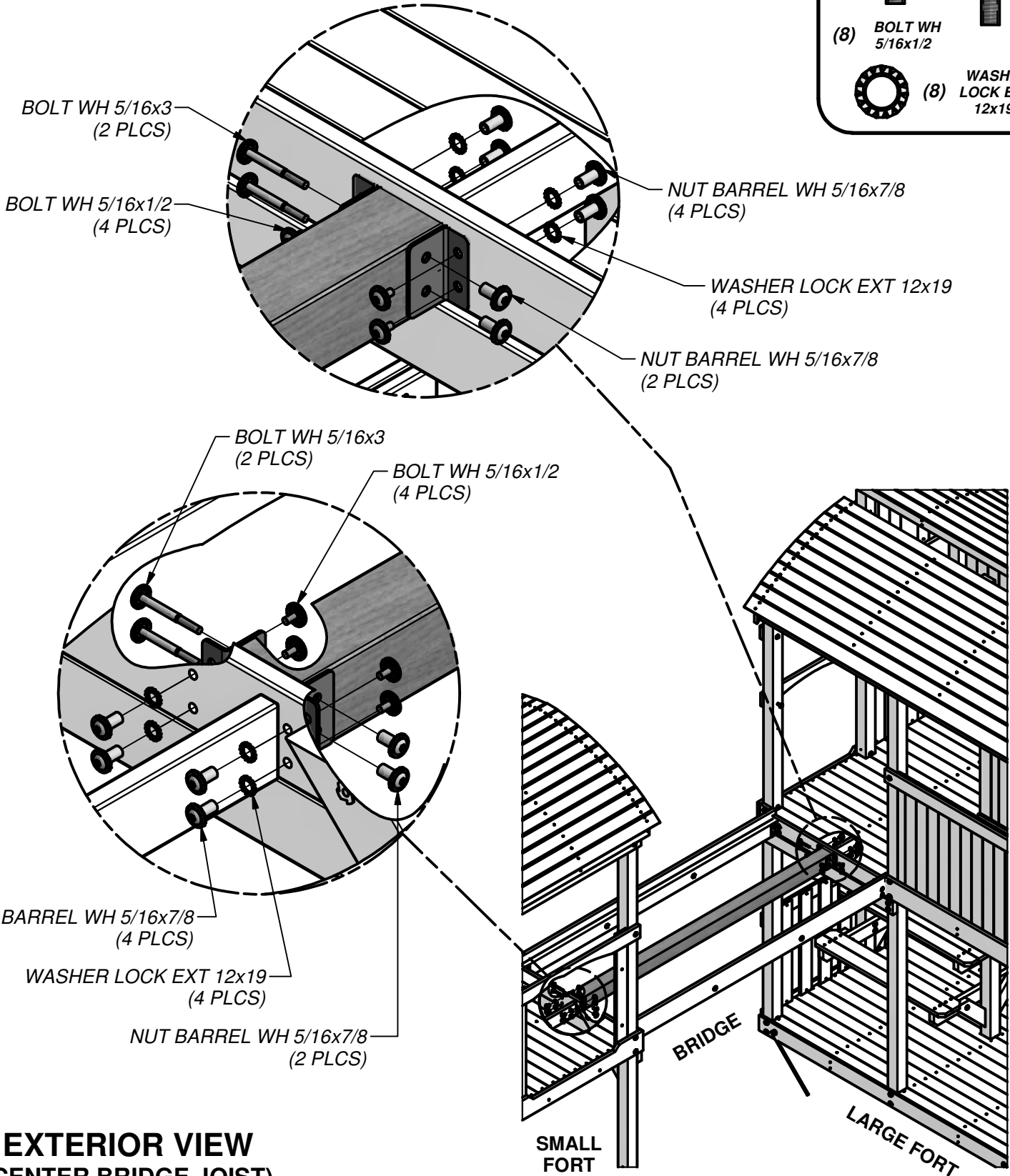
(8) BOLT WH
5/16x1/2

BOLT WH
5/16x3
(4)



(8) WASHER
LOCK EXT
12x19

STEP 87



BOLT WH 5/16x3
(2 PLCS)

BOLT WH 5/16x1/2
(4 PLCS)

NUT BARREL WH 5/16x7/8
(4 PLCS)

WASHER LOCK EXT 12x19
(4 PLCS)

NUT BARREL WH 5/16x7/8
(2 PLCS)

BOLT WH 5/16x3
(2 PLCS)

BOLT WH 5/16x1/2
(4 PLCS)

NUT BARREL WH 5/16x7/8
(4 PLCS)

WASHER LOCK EXT 12x19
(4 PLCS)

NUT BARREL WH 5/16x7/8
(2 PLCS)

**EXTERIOR VIEW
(CENTER BRIDGE JOIST)
BRIDGE**

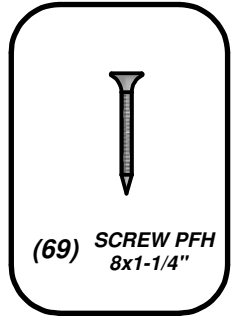
SMALL FORT

BRIDGE

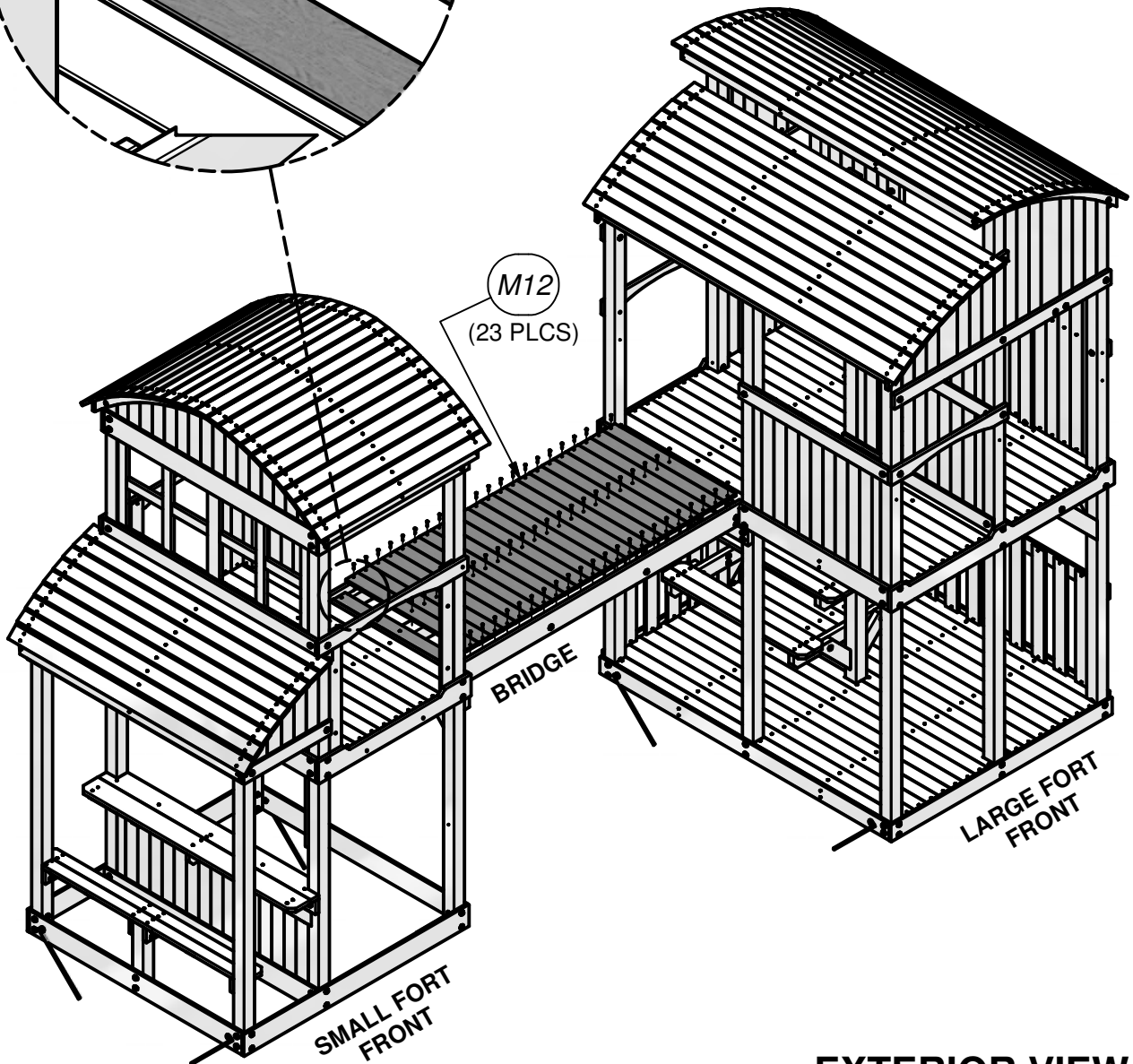
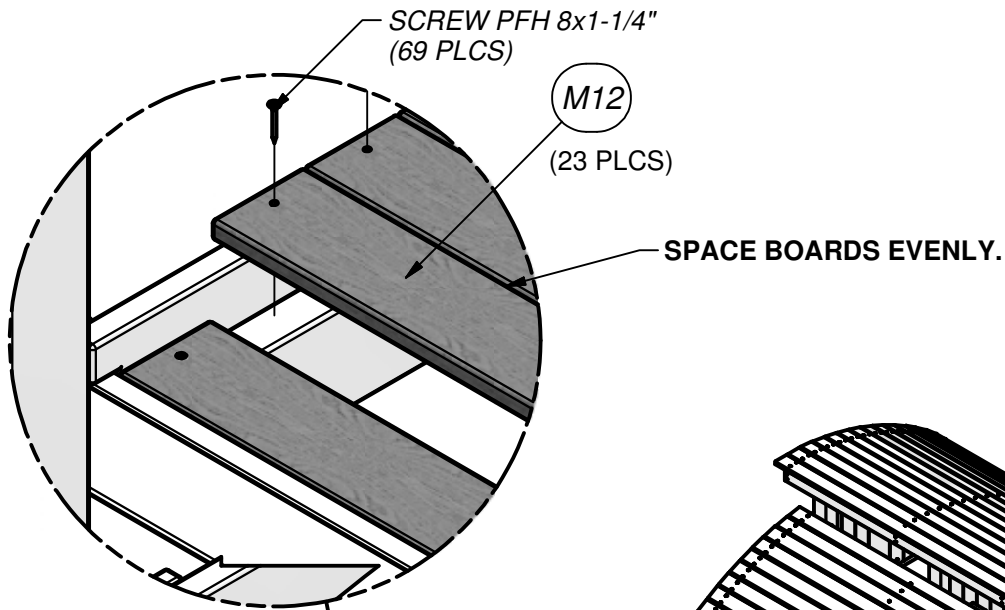
LARGE FORT



(23) M12 - FLOOR BOARD - W4L07932



STEP 88



**EXTERIOR VIEW
(BRIDGE FLOOR BOARDS)
BRIDGE**



(2) H12 - BRIDGE RAIL - W4L07933
1"x3 3/8"x86 5/8" (24x86x2200)

STEP 89

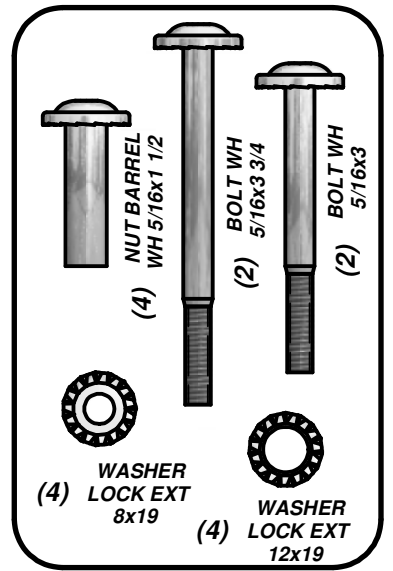


FIG. 2

WASHER LOCK EXT 12x19 (1 PLC)
NUT BARREL WH 5/16x1 1/2 (1 PLC)

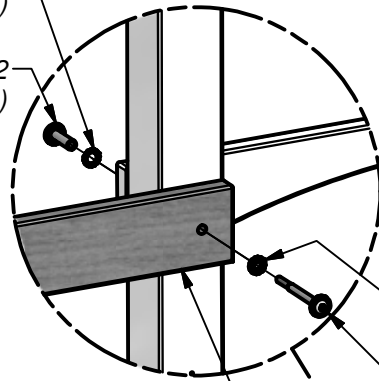
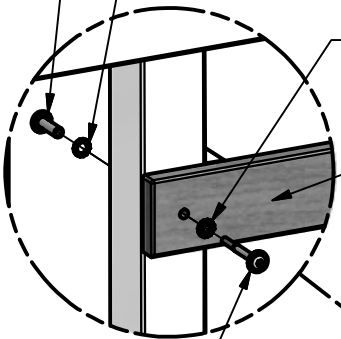


FIG. 1

NUT BARREL WH 5/16x1 1/2 (1 PLC)

WASHER LOCK EXT 12x19 (1 PLC)



WASHER LOCK EXT 8x19 (1 PLC)

WASHER LOCK EXT 8x19 (1 PLC)

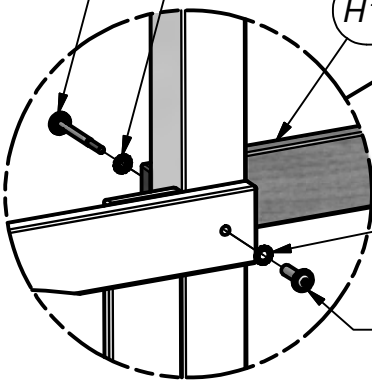
BOLT WH 5/16x3 3/4 (1 PLC)

BOLT WH 5/16x3 (1 PLC)

FIG. 3

BOLT WH 5/16x3 3/4 (1 PLC)

WASHER LOCK EXT 8x19 (1 PLC)



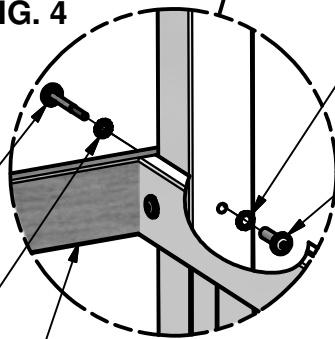
WASHER LOCK EXT 12x19 (1 PLC)

NUT BARREL WH 5/16x1 1/2 (1 PLC)

BOLT WH 5/16x3 (1 PLC)

WASHER LOCK EXT 8x19 (1 PLC)

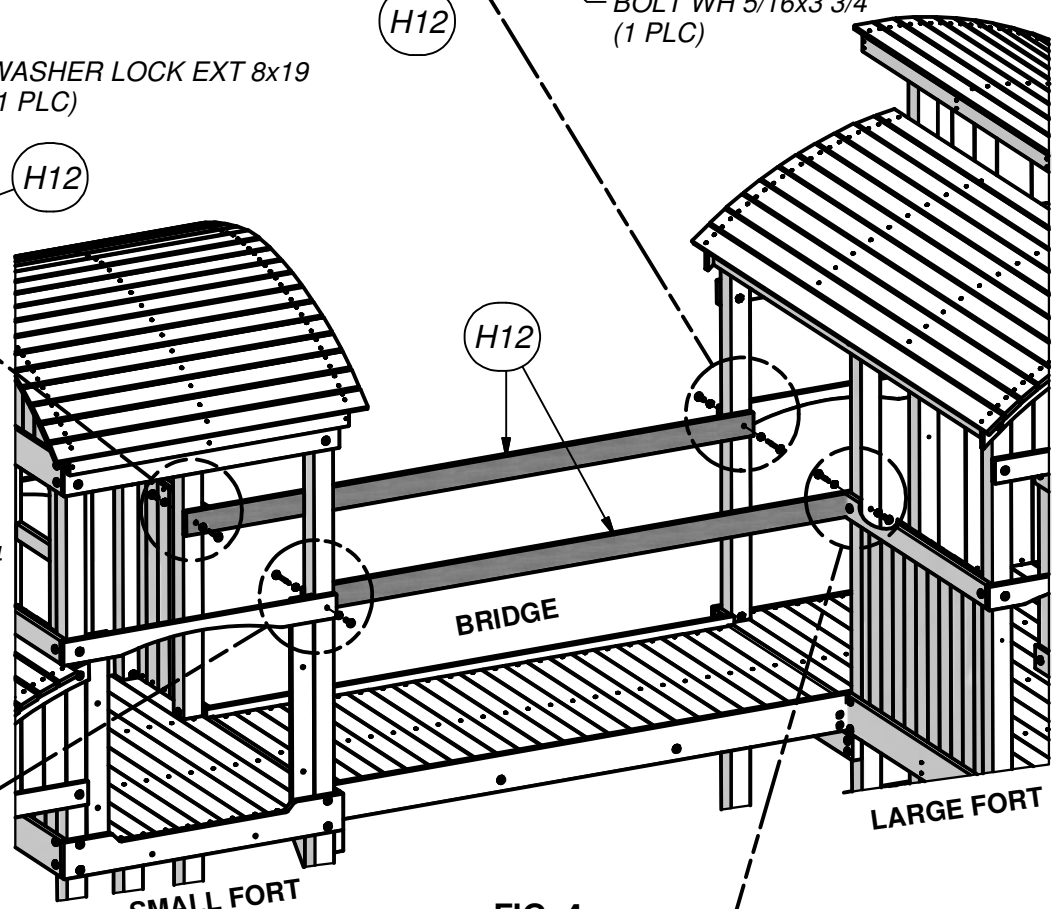
FIG. 4



WASHER LOCK EXT 12x19 (1 PLC)

NUT BARREL WH 5/16x1-1/2 (1 PLC)

**EXTERIOR VIEW
(BRIDGE RAILS)**



BRIDGE

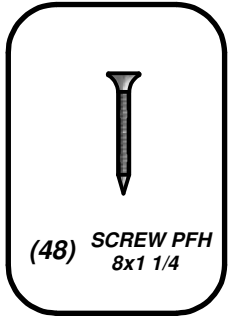
SMALL FORT

LARGE FORT

H12



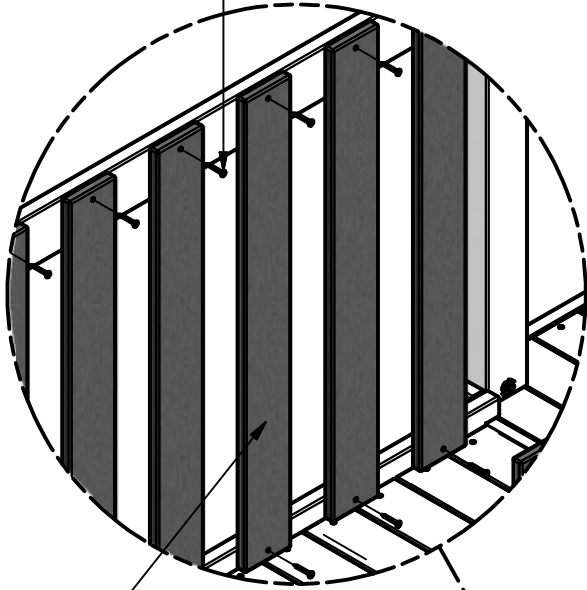
(24) M09 - WALL BOARD - W4L07911
5/8"x3 3/8"x30" (16x86x762)



(48) SCREW PFH
8x1 1/4

STEP 90

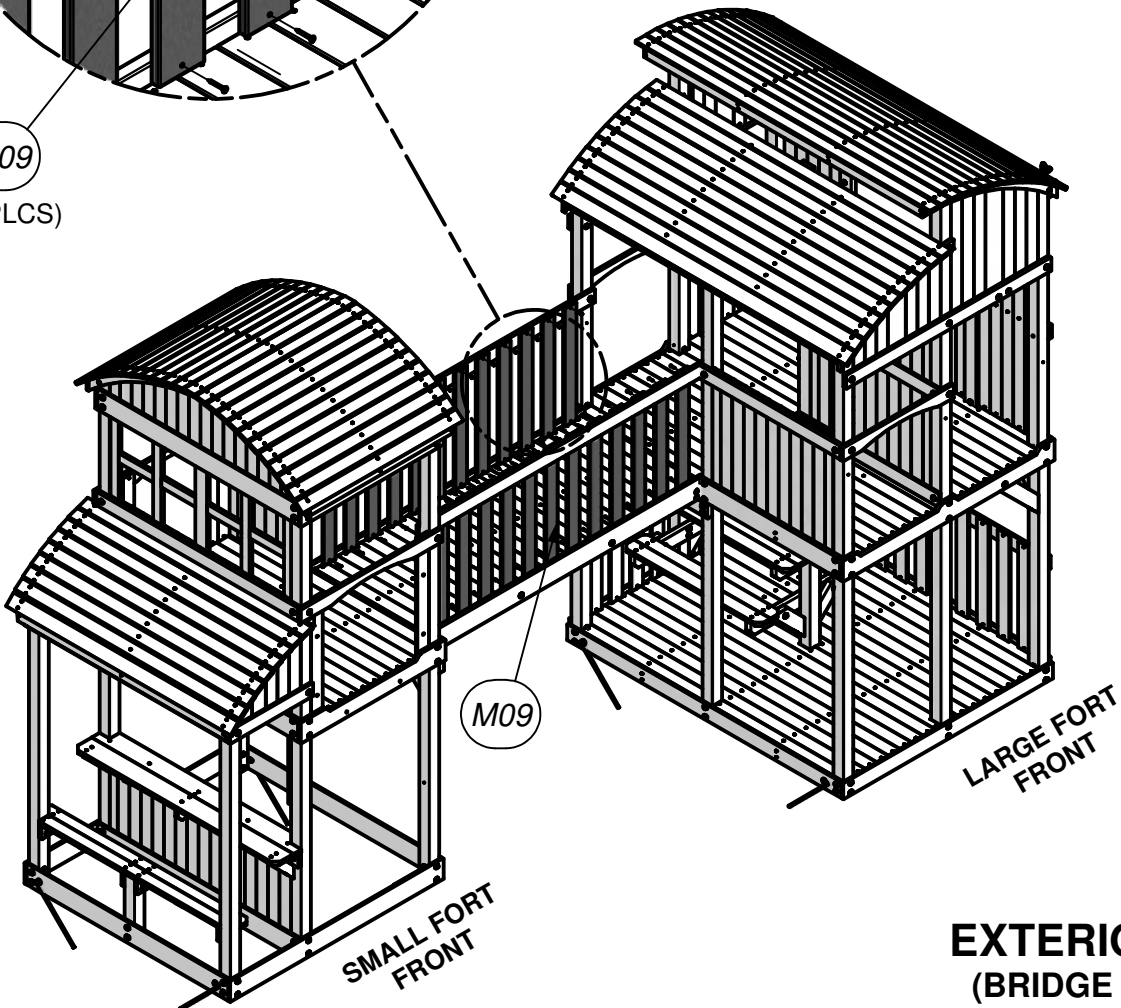
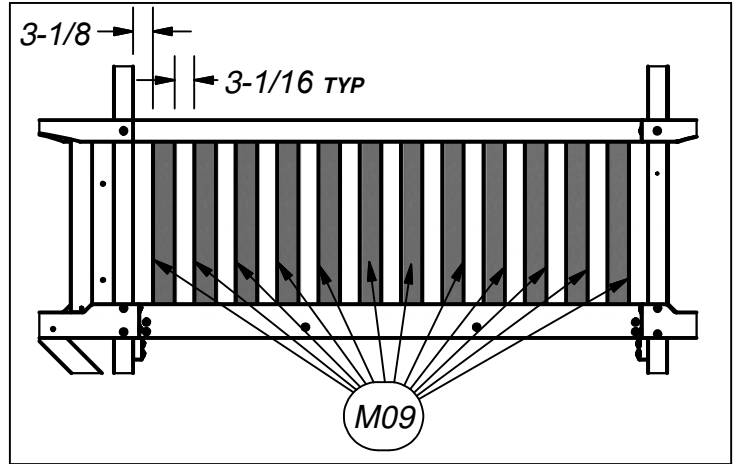
SCREW PFH 8x1 1/4
(48 PLCS)



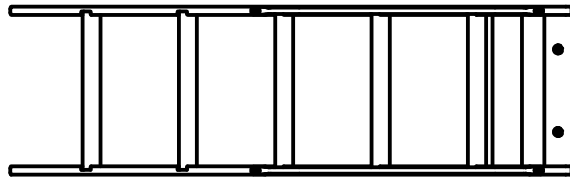
M09

(24 PLCS)

PICKET POSITION DIAGRAM

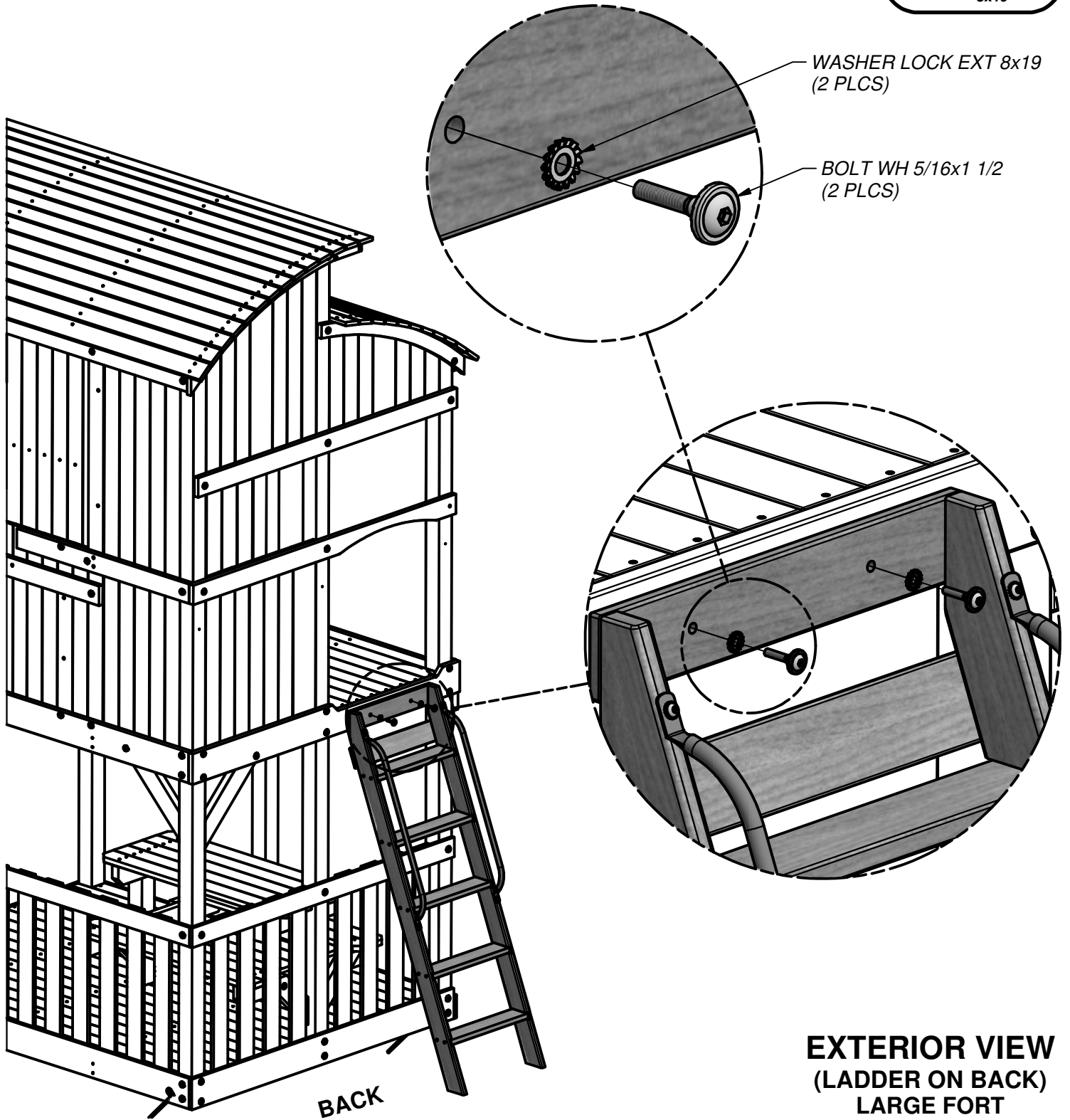
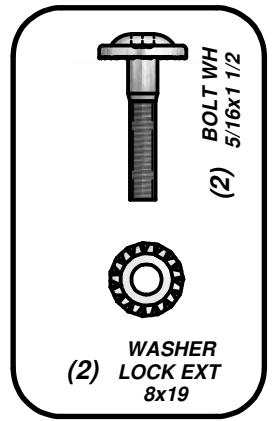


**EXTERIOR VIEW
(BRIDGE PICKETS)**



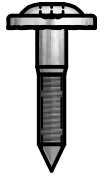
(1) LADDER ASSEMBY

STEP 91





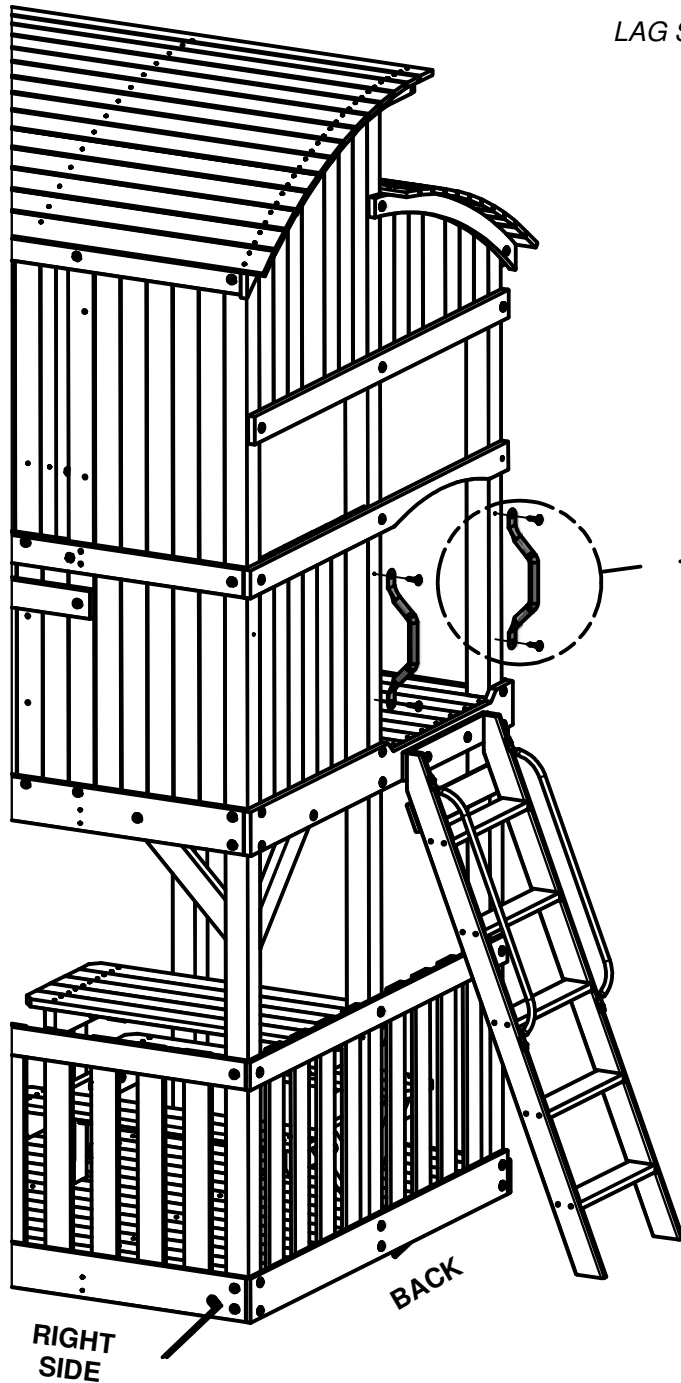
(2) FX - HAND GRIP METAL GREEN 381 c/c - A100118



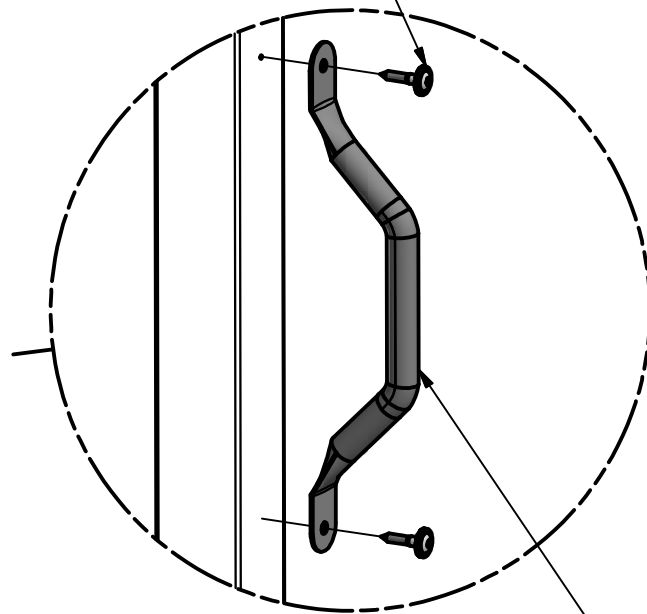
(4) LAG SCREW
WH 5/16x1 1/2

STEP 92

NOTE:
USE PILOT HOLES TO
LOCATE HAND GRIPS



LAG SCREW WH 5/16x1 1/2
(4 PLCS)



HAND GRIP METAL GREEN 381 c/c
(2 PLCS)

**EXTERIOR VIEW
(LADDER HAND GRIPS)
LARGE FORT**

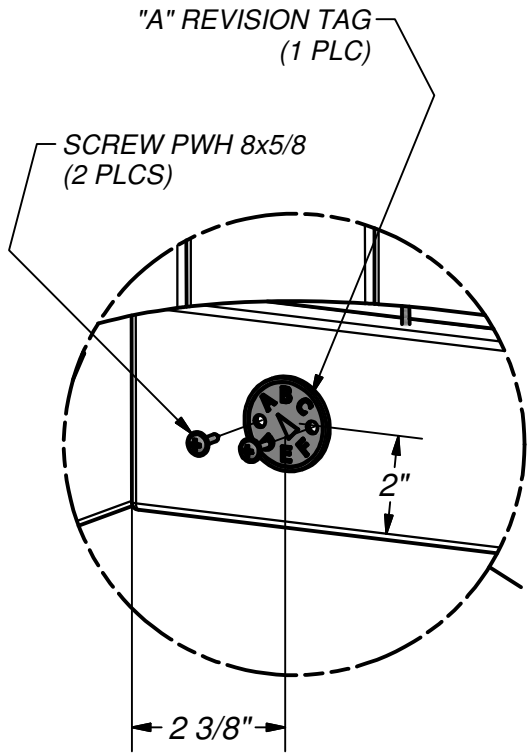


(1) SQ - "A" REVISION TAG - A100314

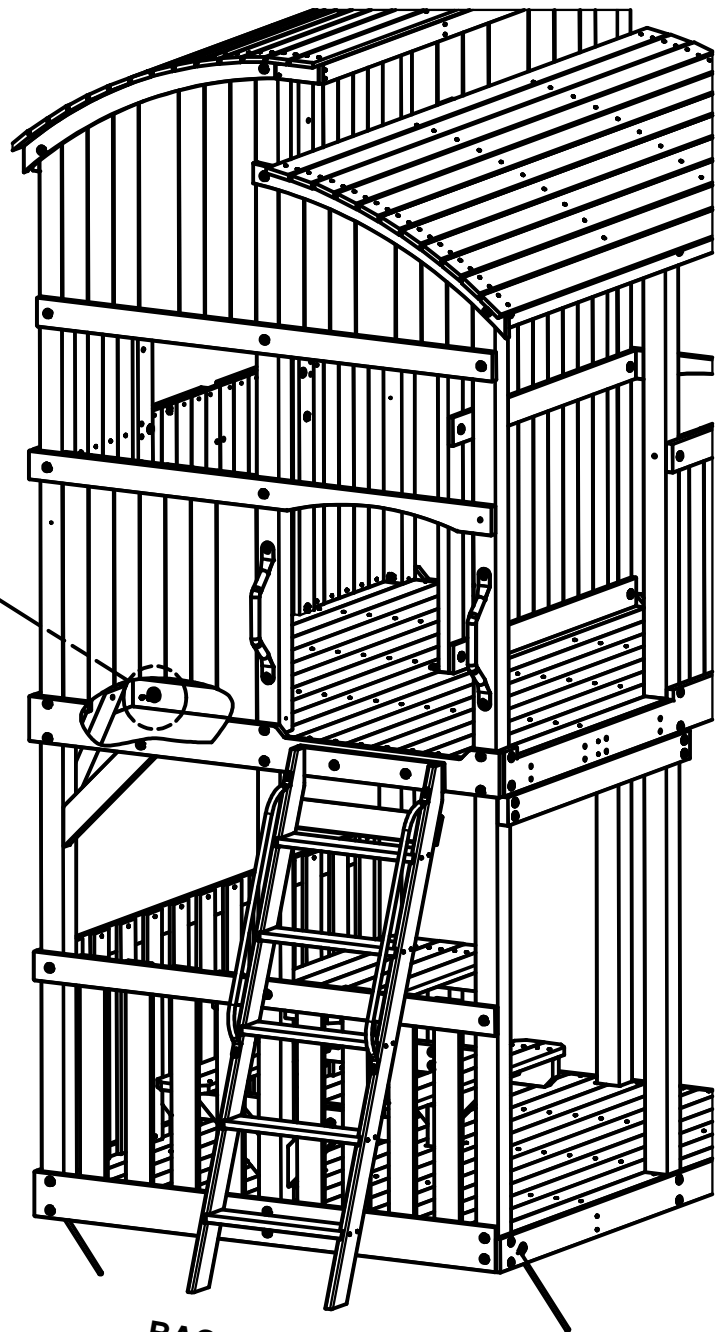


(2) SCREW PWH
8x5/8

STEP 93



APPROXIMATE
LOCATION ON
FLOOR JOIST

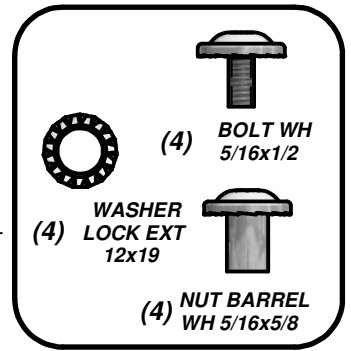


**EXTERIOR VIEW
(BACK)
LARGE FORT**

BACK



(2) TA - LADDER RUNG 629 GREEN - A100324



(4) WASHER LOCK EXT 12x19

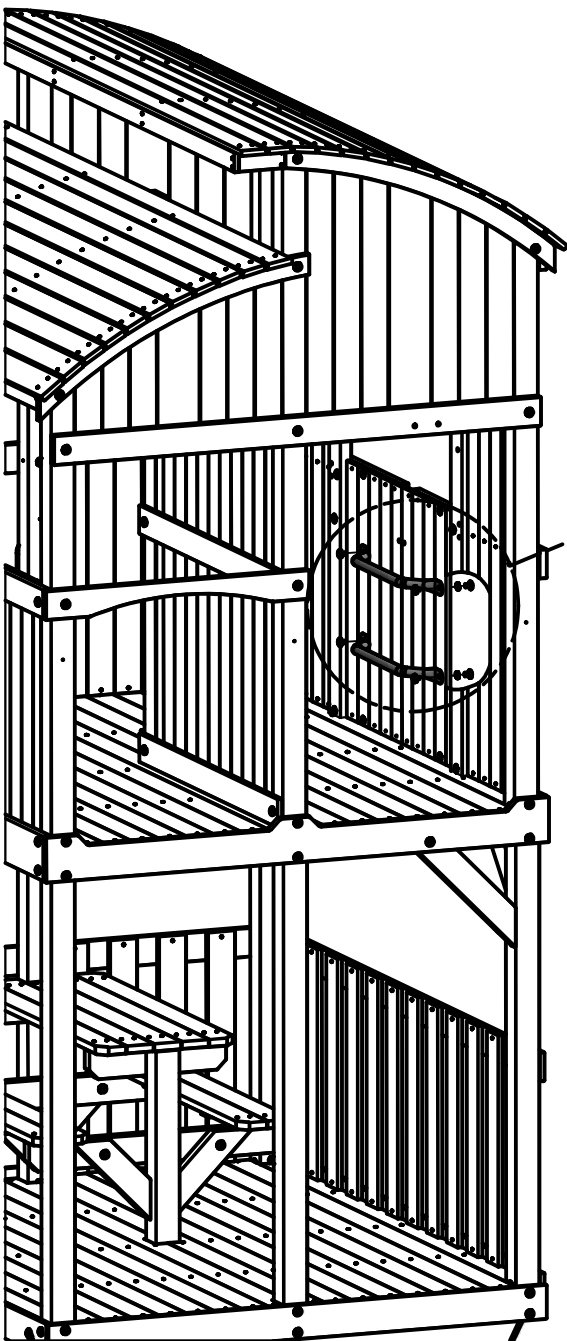


(4) BOLT WH 5/16x1/2



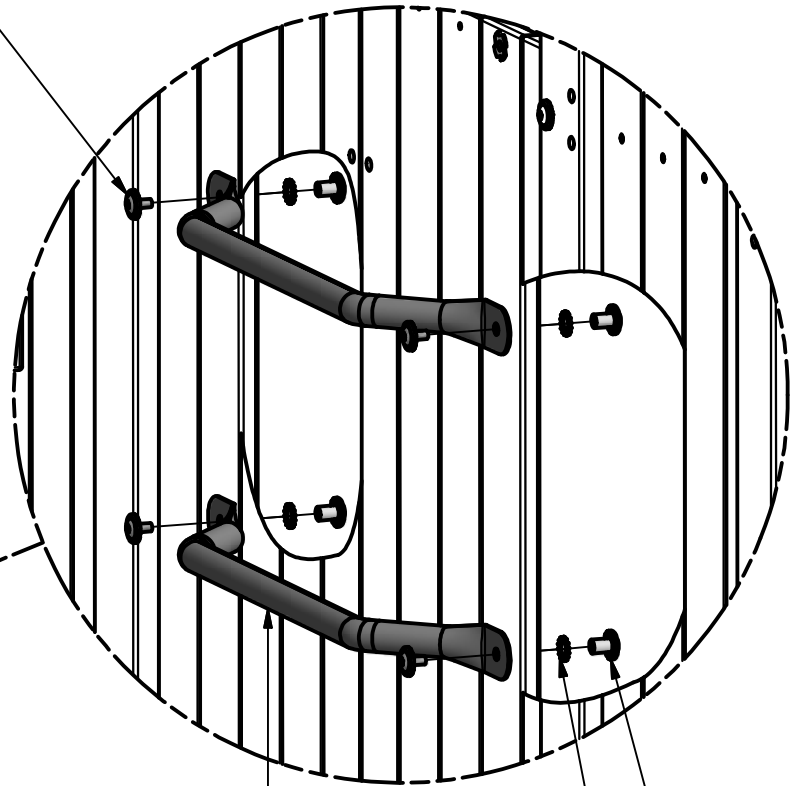
(4) NUT BARREL WH 5/16x5/8

STEP 94



FRONT

BOLT WH 5/16x1/2
(4 PLCS)

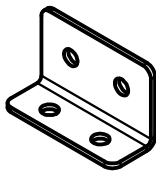


LADDER RUNG 629 GREEN
(2 PLCS)

WASHER LOCK EXT 12x19
(4 PLCS)

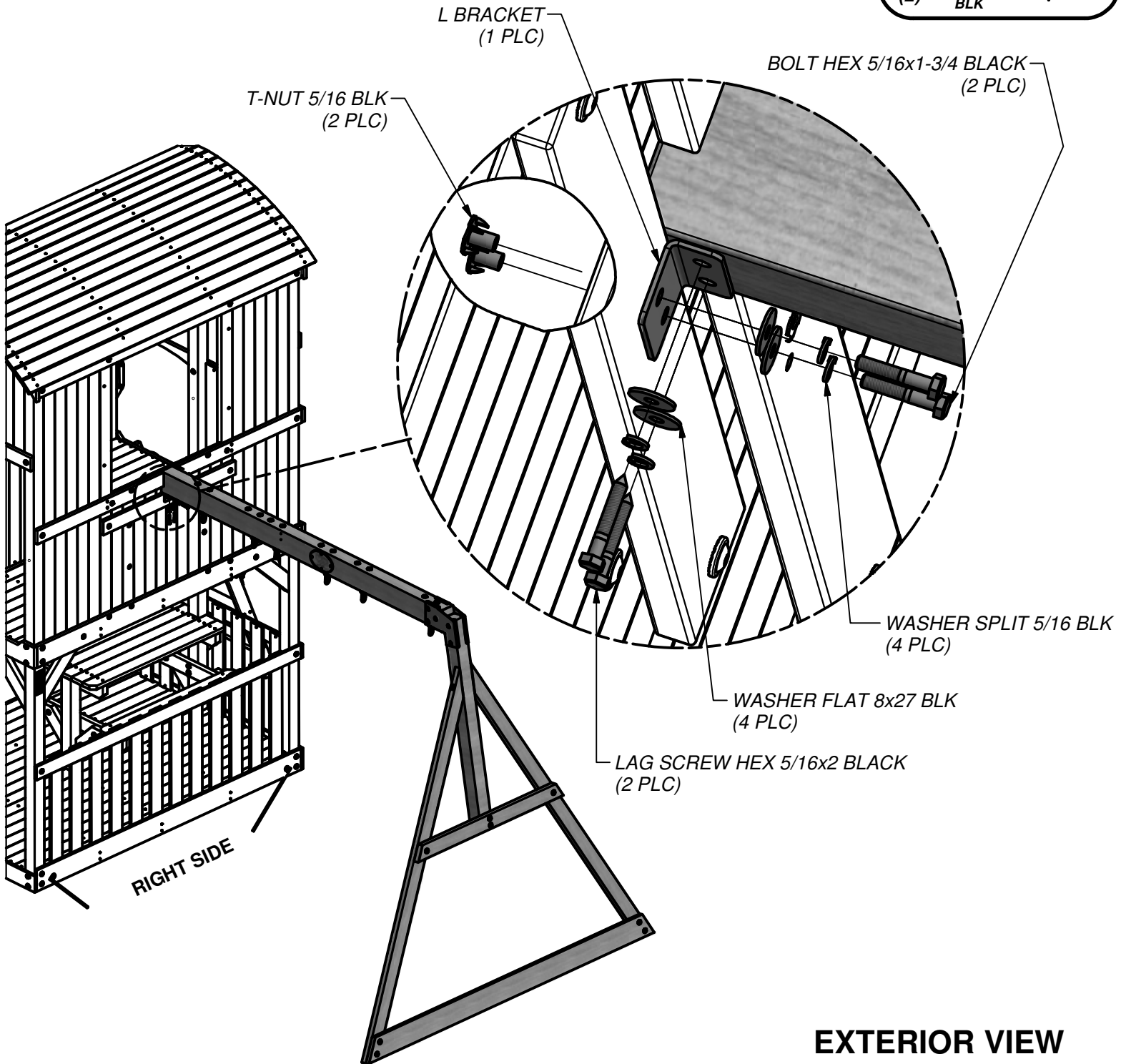
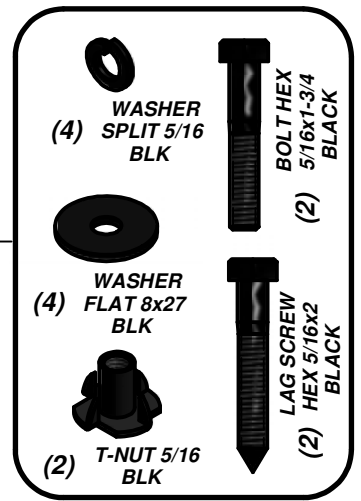
NUT BARREL WH 5/16x5/8
(4 PLCS)

**EXTERIOR VIEW
(CROW'S NEST RUNGS)
LARGE FORT**



(1) - L BRACKET 51x32x82x3.175 - A4M00855

STEP 95



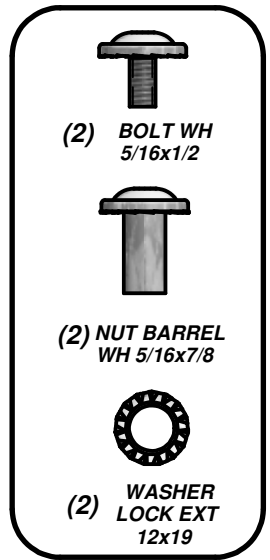
EXTERIOR VIEW
(SWING BEAM ATTACHMENT)
LARGE FORT



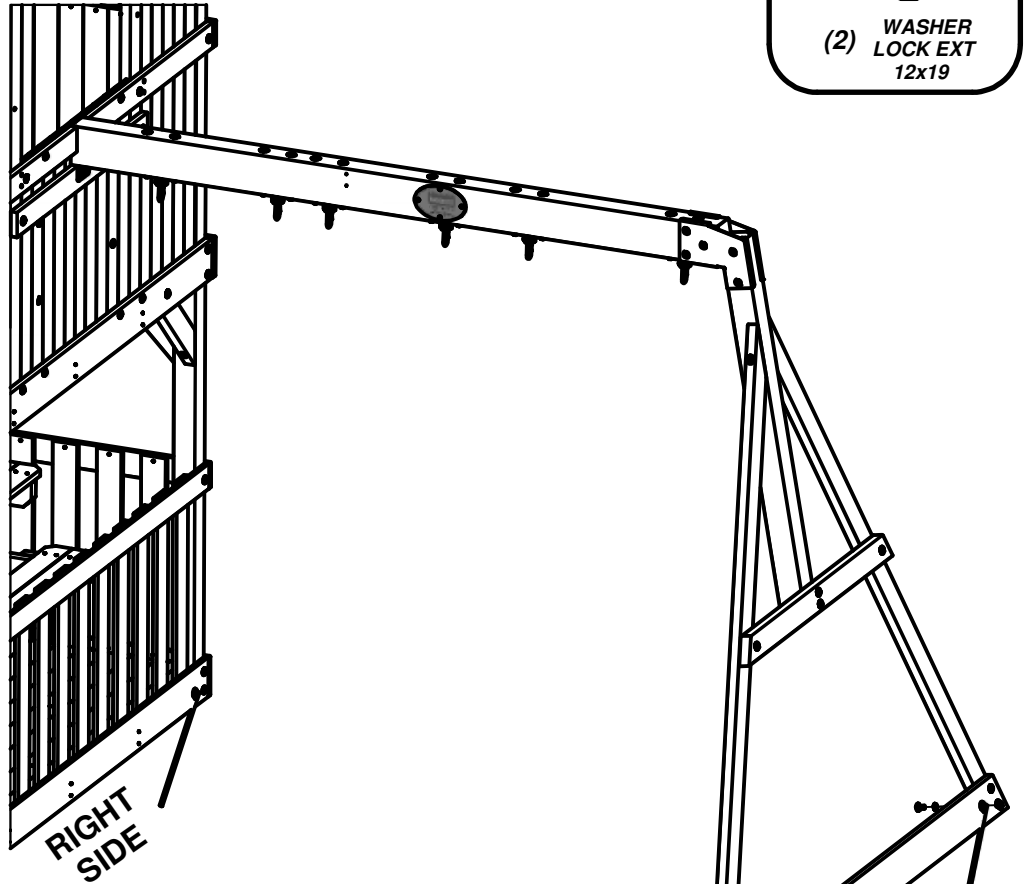
(2) - GROUND STAKE REBAR - A4M00527

STEP 96

TAP IN GROUND STAKES AT AN APPROXIMATE 45° ANGLE AT THE LOCATIONS SHOWN. USING GROUND STAKES AS A GUIDE, DRILL 7/16" DIA HOLES.



NOTE:
FAILURE TO USE GROUND STAKES CAN VOID WARRANTY & CAUSE INJURY!



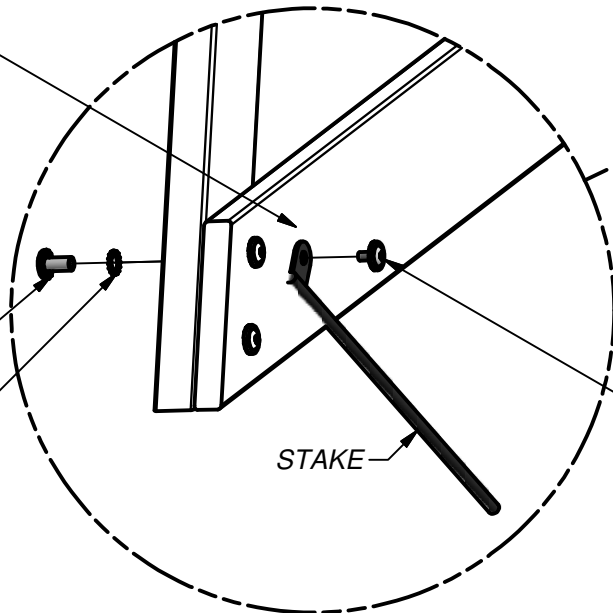
PLACE STAKES APPROXIMATELY 5" FROM THE EDGE OF THE ANGLE BRACES MIDWAY UP ON GROUND BOARDS AS SHOWN DRILL THRU HOLES (2 PLCS)

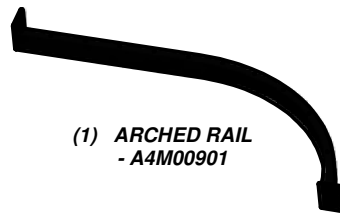
NUT BARREL WH 5/16x7/8 (2 PLCS)

WASHER LOCK EXT 12x19 (2 PLCS)

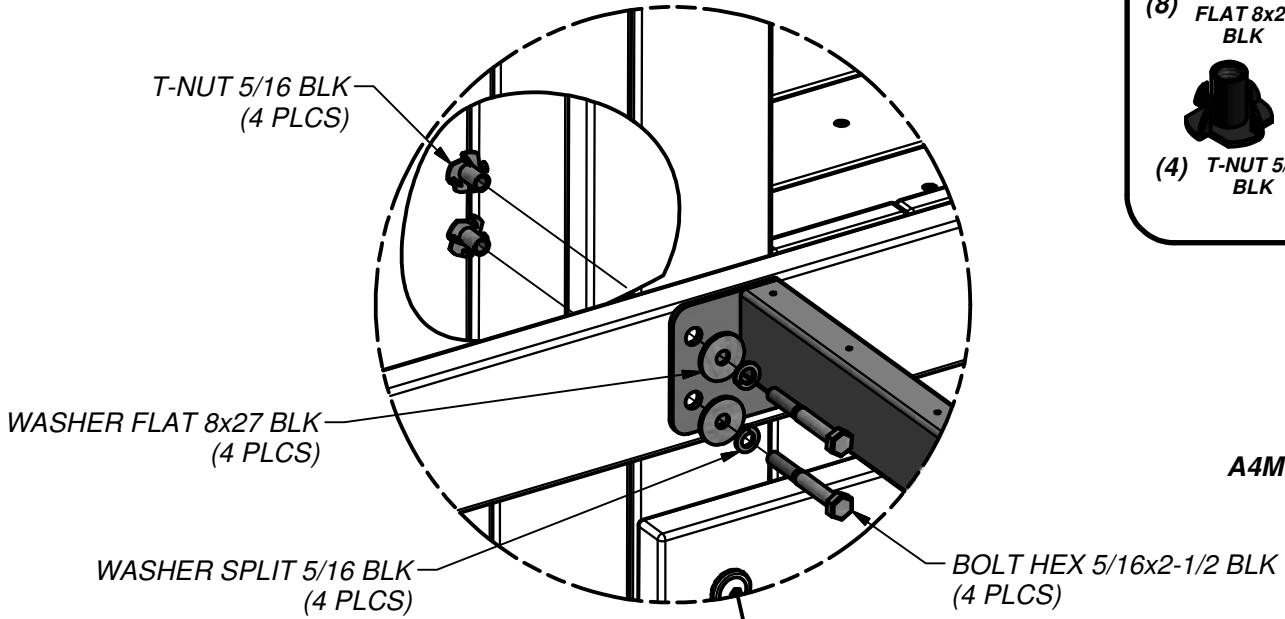
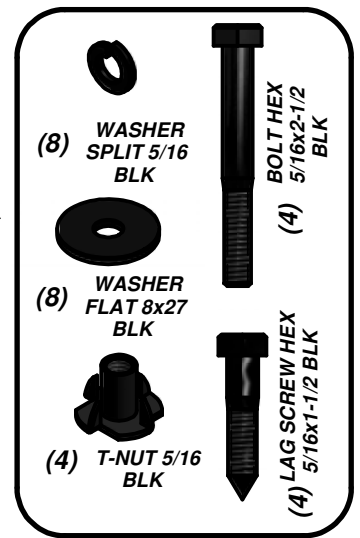
BOLT WH 5/16x1/2 (2 PLCS)

**EXTERIOR VIEW
(GROUND STAKES)
SWING BEAM**

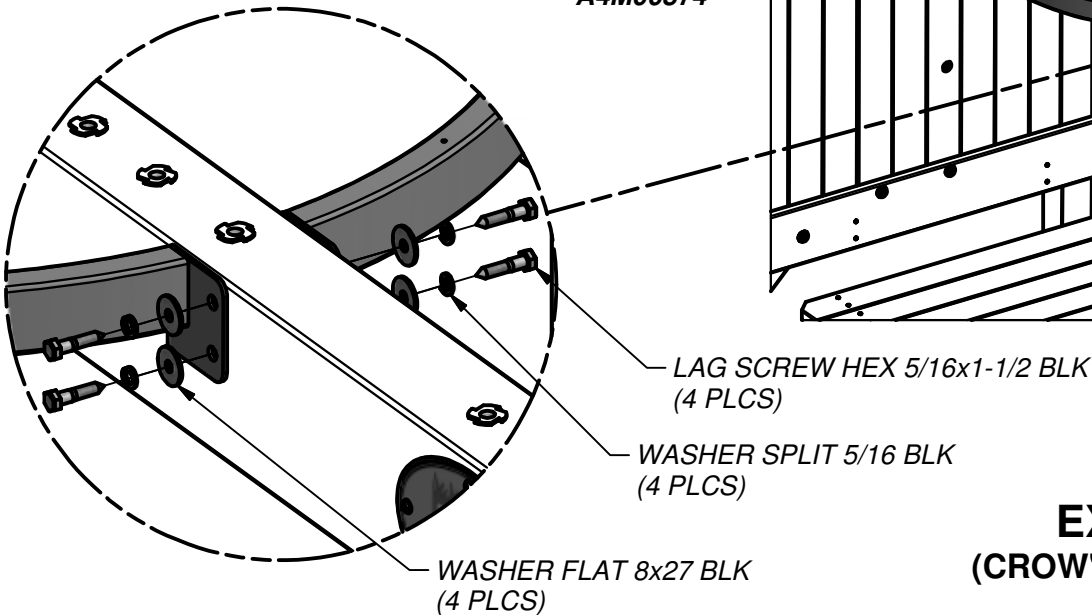
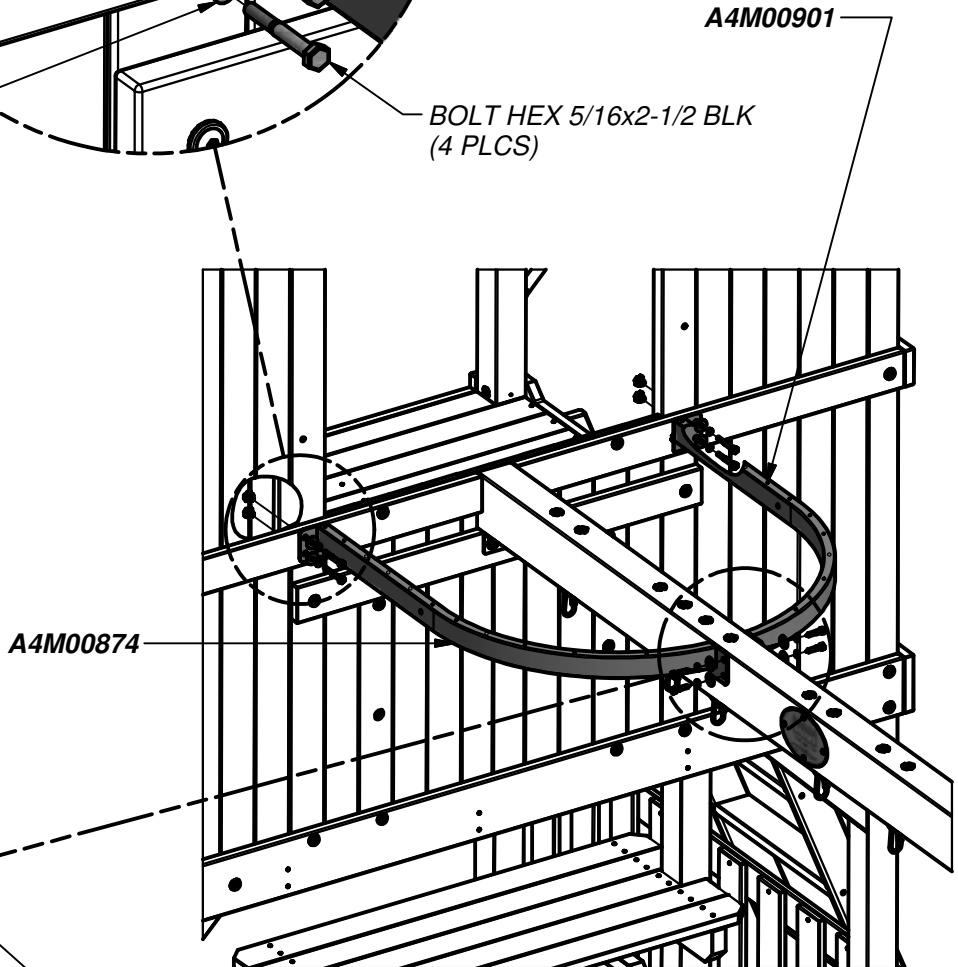




STEP 97



NOTE:
USE PILOT HOLES TO
LOCATE ARCHED RAIL



**EXTERIOR VIEW
(CROW'S NEST ARCHED RAILS)
SWING BEAM**

(1) M24 - FLOOR BOARD - W4L07994
5/8"x3 3/8"x36 3/8" (16x86x924)

(5) M18 - FLOOR BOARD - W4L07995
5/8"x3 3/8"x36 3/8" (16x86x924)

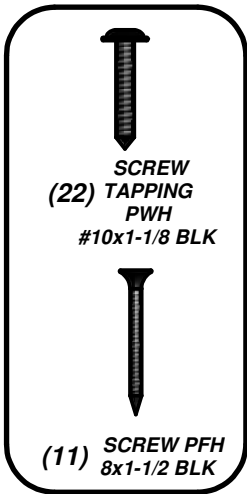
(1) M19 - FLOOR BOARD - W4L07996
5/8"x3 3/8"x36 3/8" (16x86x923)

(1) M20 - FLOOR BOARD - W4L07997
5/8"x3 3/8"x35 3/8" (16x86x898)

(1) Y4 - FLOOR BOARD - W4L08000
5/8"x3 3/4"x22 1/4" (16x95x564)

(1) M21 - FLOOR BOARD - W4L07998
5/8"x3 3/8"x33 1/8" (16x86x840)

(1) M22 - FLOOR BOARD - W4L07999
5/8"x3 3/8"x29" (16x86x736)

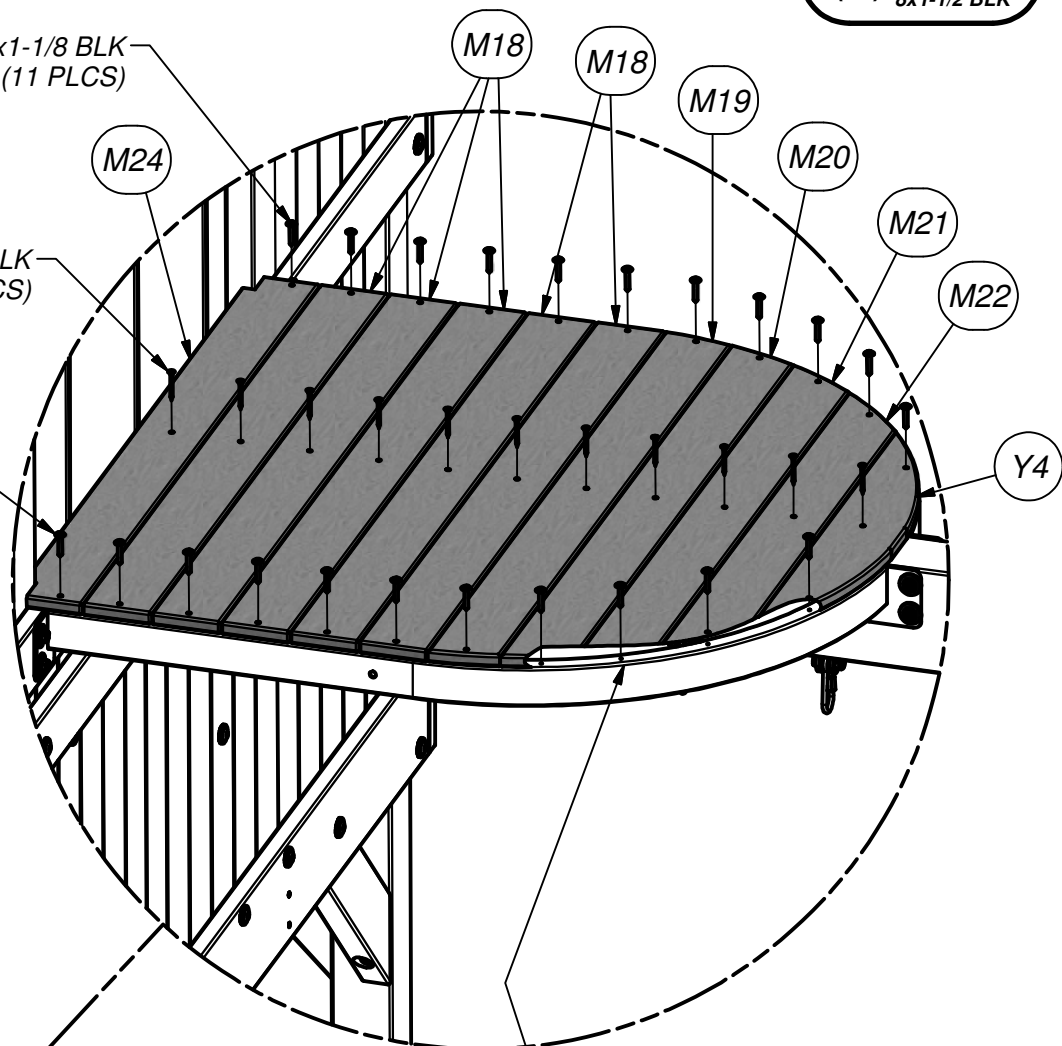


STEP 98

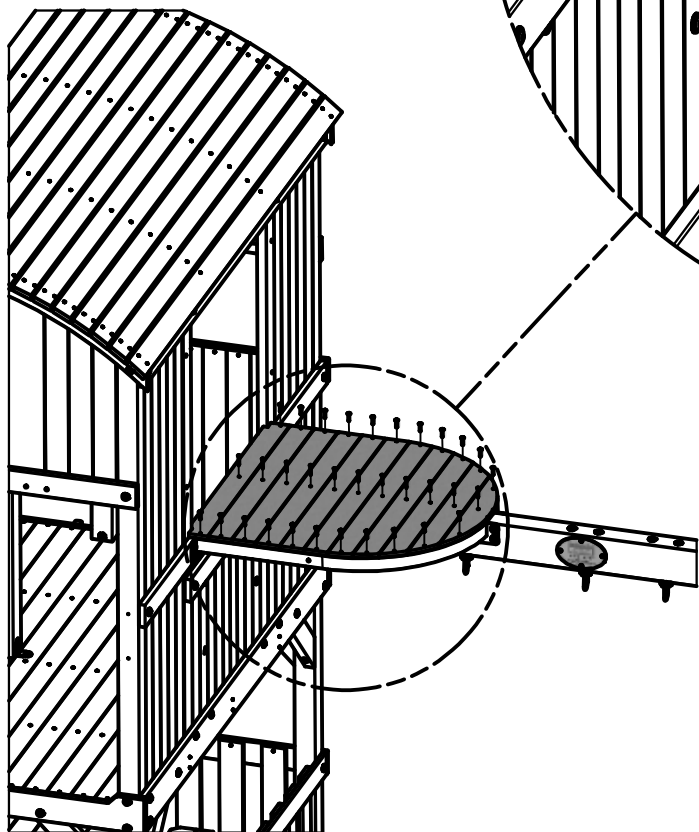
SCREW TAPPING PWH #10x1-1/8 BLK
(11 PLCS)

SCREW PFH 8x1-1/2 BLK
(11 PLCS)

SCREW TAPPING PWH #10x1-1/8 BLK
(11 PLCS)



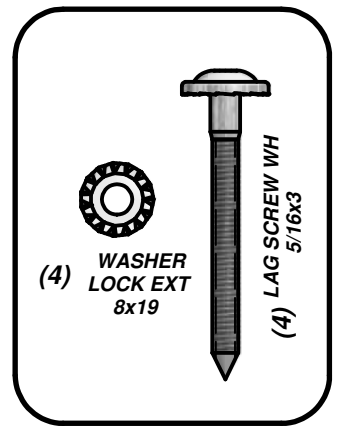
NOTE:
USE PILOT HOLES TO
LOCATE FLOOR BOARDS



**EXTERIOR VIEW
(CROW'S NEST FLOOR)
SWING BEAM**

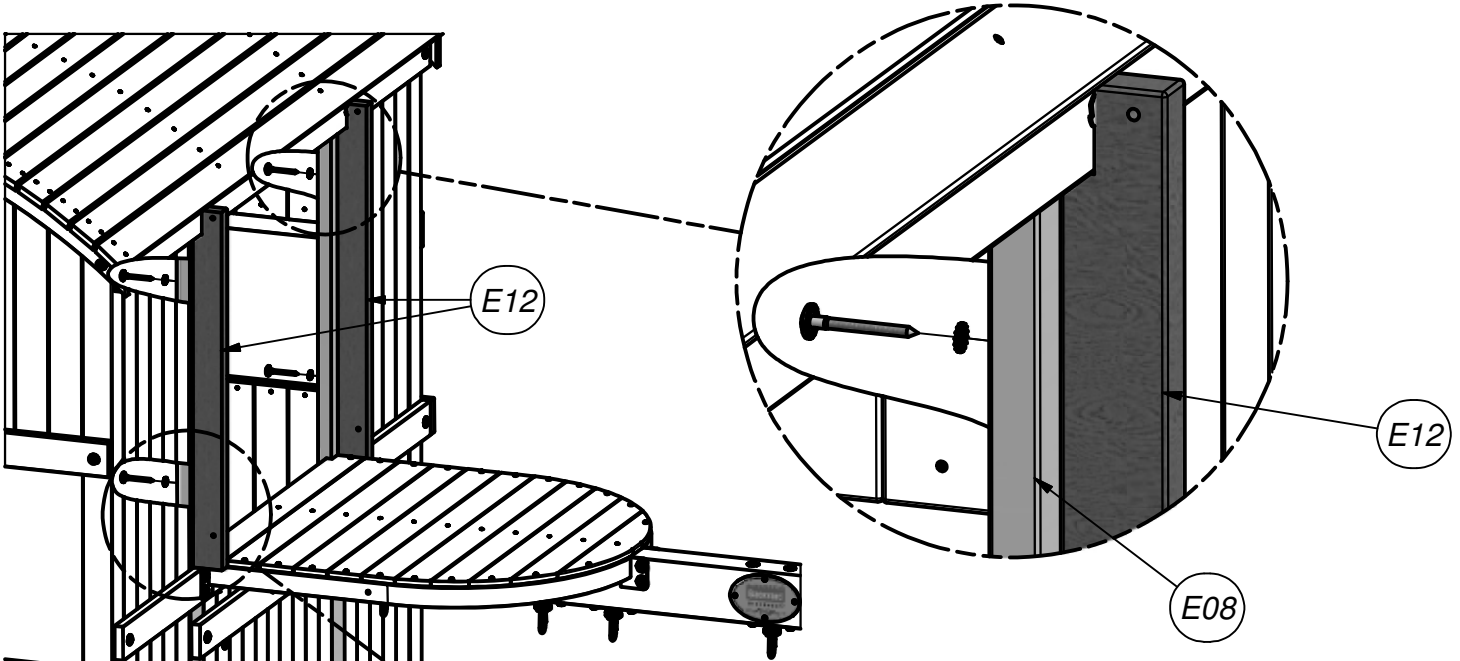


(2) E12 - UPRIGHT - W4L07984
1 3/8"x3"x35" (36x76x889)



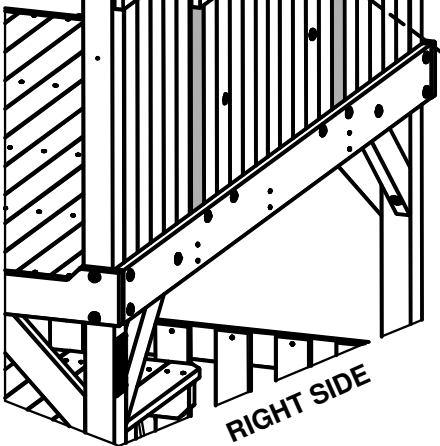
STEP 99

FIG. 1



E08

E12



RIGHT SIDE

FIG. 2

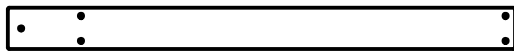
E08

E12

LAG SCREW WH 5/16x3
(4 PLCS)

WASHER LOCK EXT 8x19
(4 PLCS)

EXTERIOR VIEW
(CROW'S NEST UPRIGHTS)
SWING BEAM



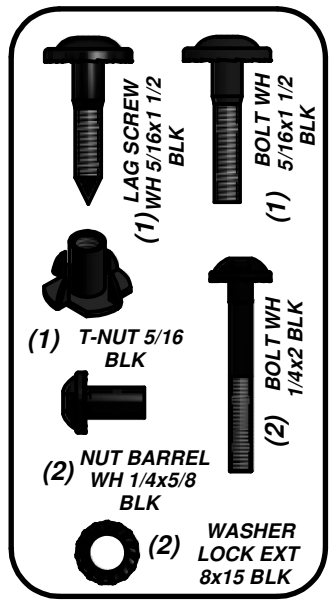
(2) E11 - UPRIGHT - W4L07985
1 3/8"x3"x37" (36x76x940)



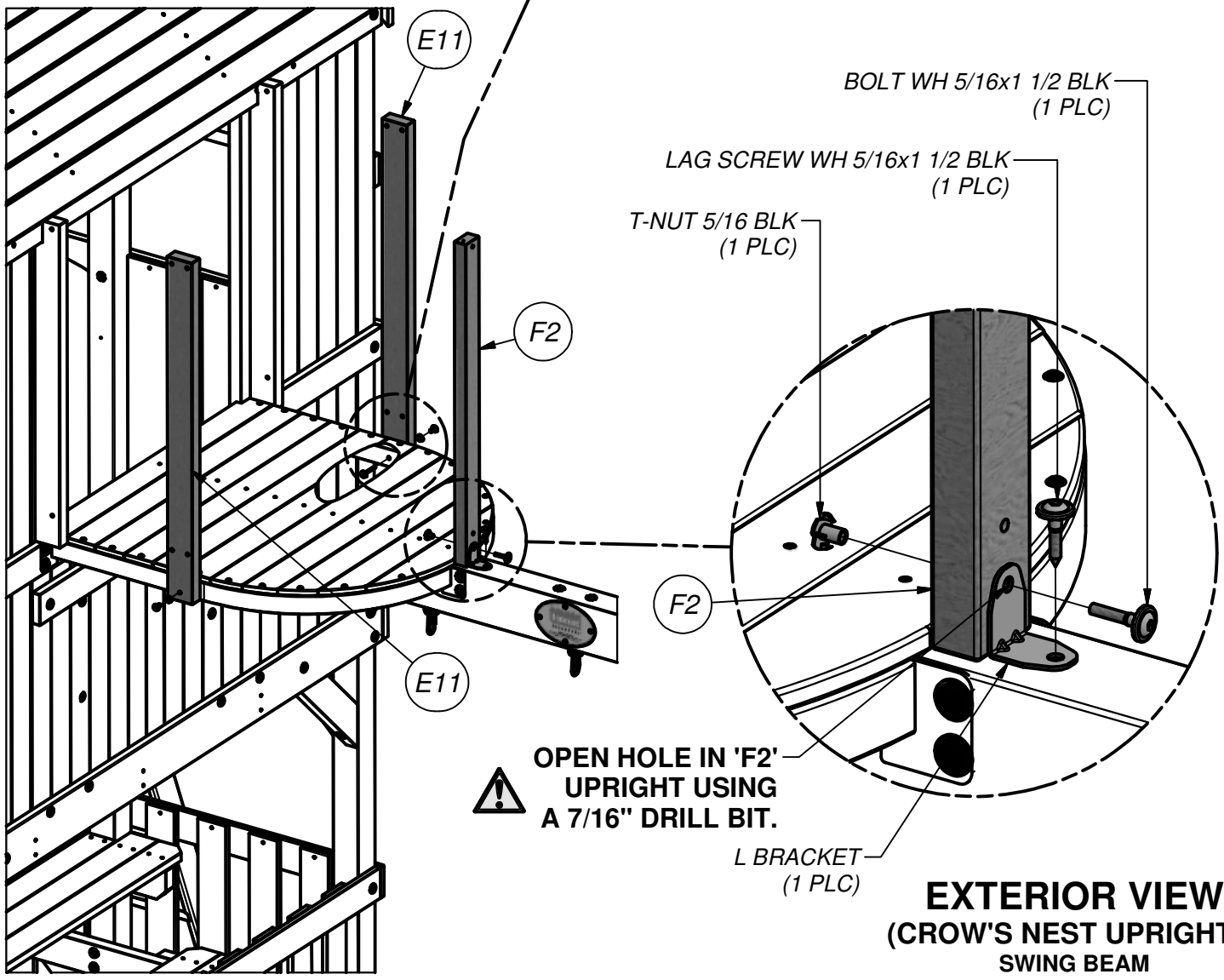
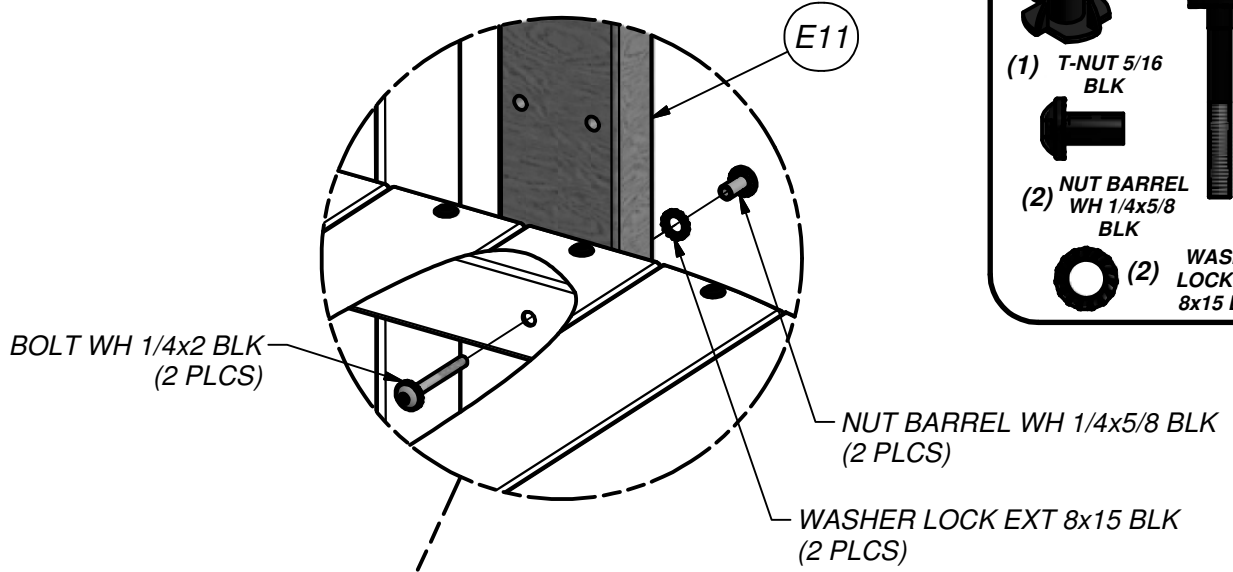
(1) F2 - UPRIGHT - W4L07986
1 3/8"x2 3/8"x35" (36x60x888)

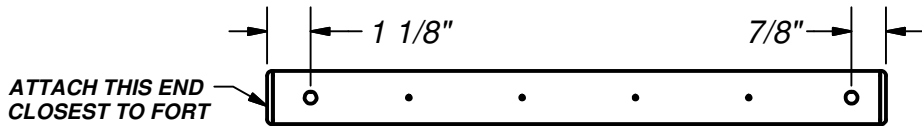


(1) - L BRACKET 2.5x38x50x55 BLK - A4M00615

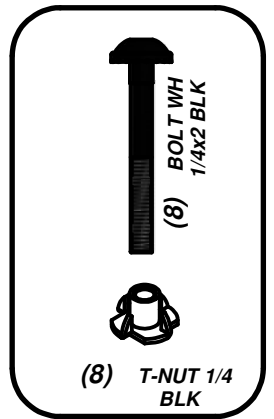


STEP 100



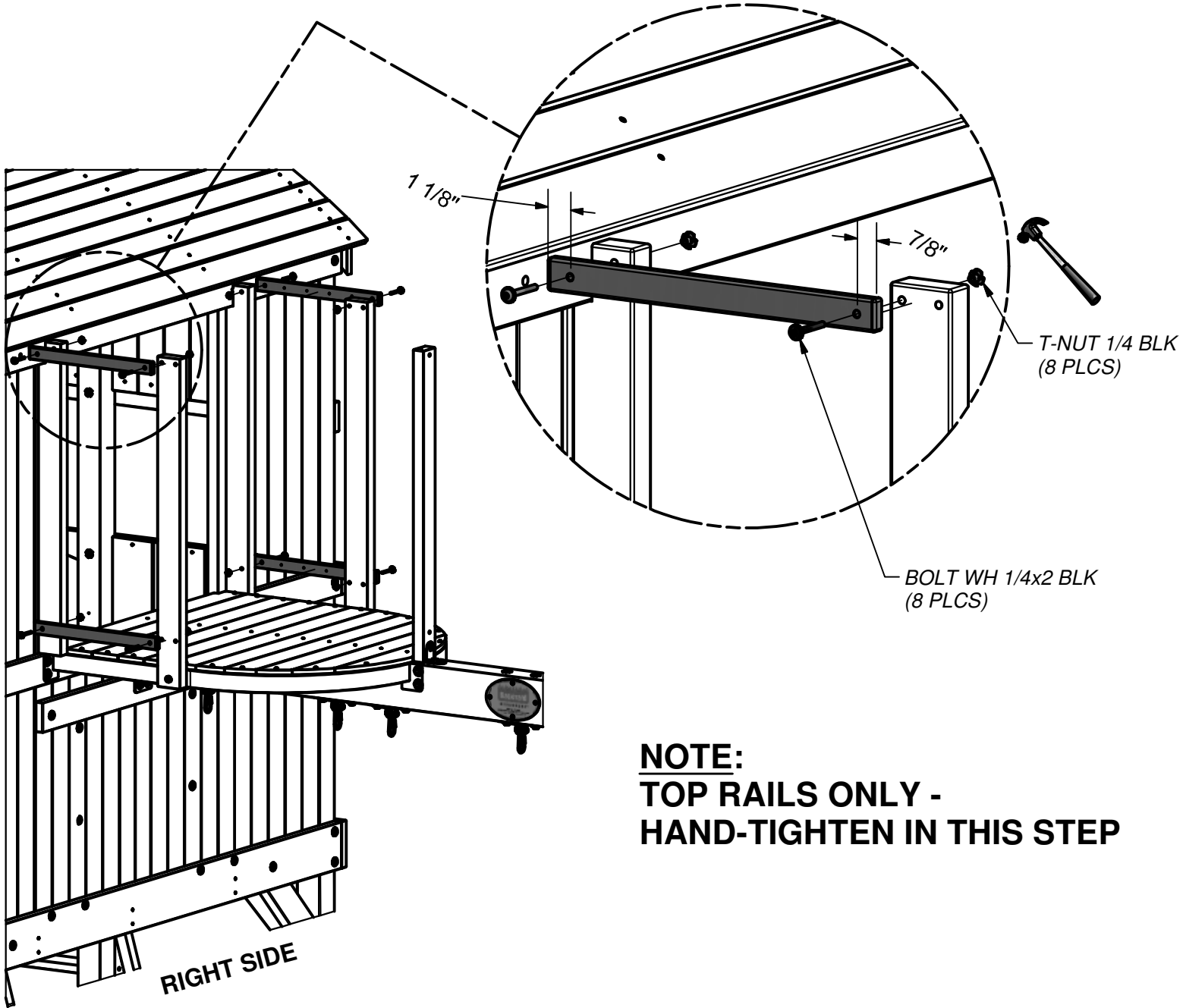


(4) RAIL - A4M00875
1"x2 3/8" x16 3/4" (24x60x402)



STEP 101

**NOTE:
RAIL ORIENTATION**

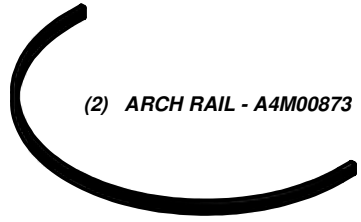


**NOTE:
TOP RAILS ONLY -
HAND-TIGHTEN IN THIS STEP**

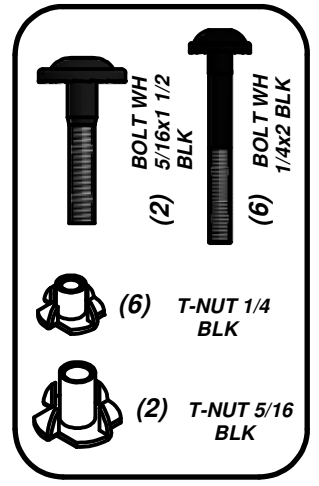
**EXTERIOR VIEW
(CROW'S NEST RAILS)
SWING BEAM**



(2) - SUPPORT BRACE - A4M00928



(2) ARCH RAIL - A4M00873



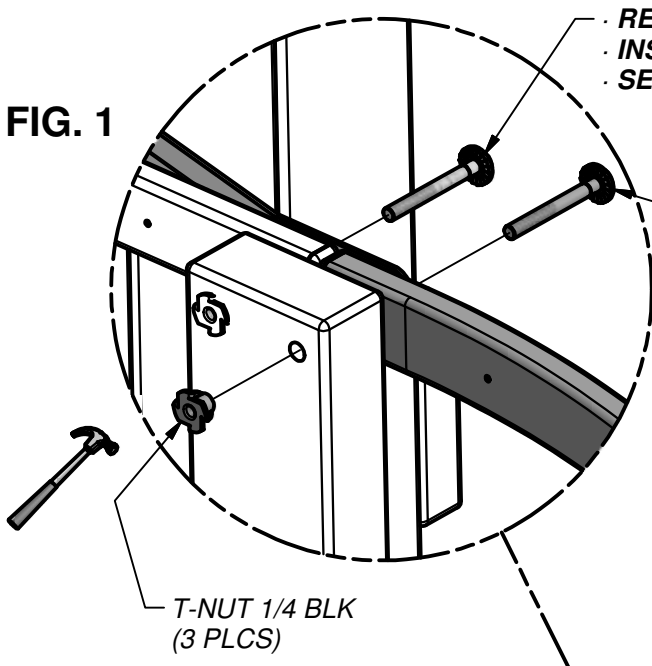
BOLT WH 5/16x1 1/2 BLK (2)
BOLT WH 1/4x2 BLK (6)

T-NUT 1/4 BLK (6)

T-NUT 5/16 BLK (2)

STEP 102

FIG. 1



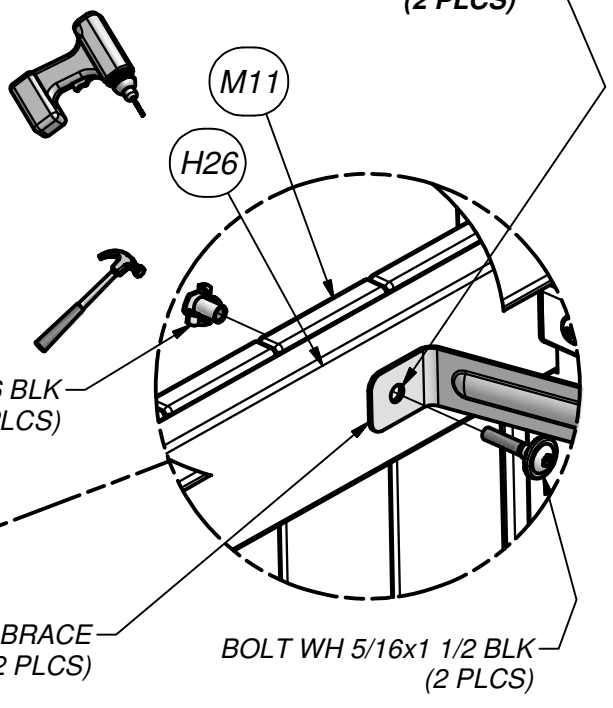
REMOVE HAND-TIGHTENED BOLT
INSERT SUPPORT BRACE
SECURELY TIGHTEN BOLT

BOLT WH 1/4x2 BLK (3 PLCS)

T-NUT 1/4 BLK (3 PLCS)

USE HOLE IN 'H26' RAIL AS A GUIDE
DRILL 3/8" THRU HOLE IN 'M11' WALL BOARD (2 PLCS)

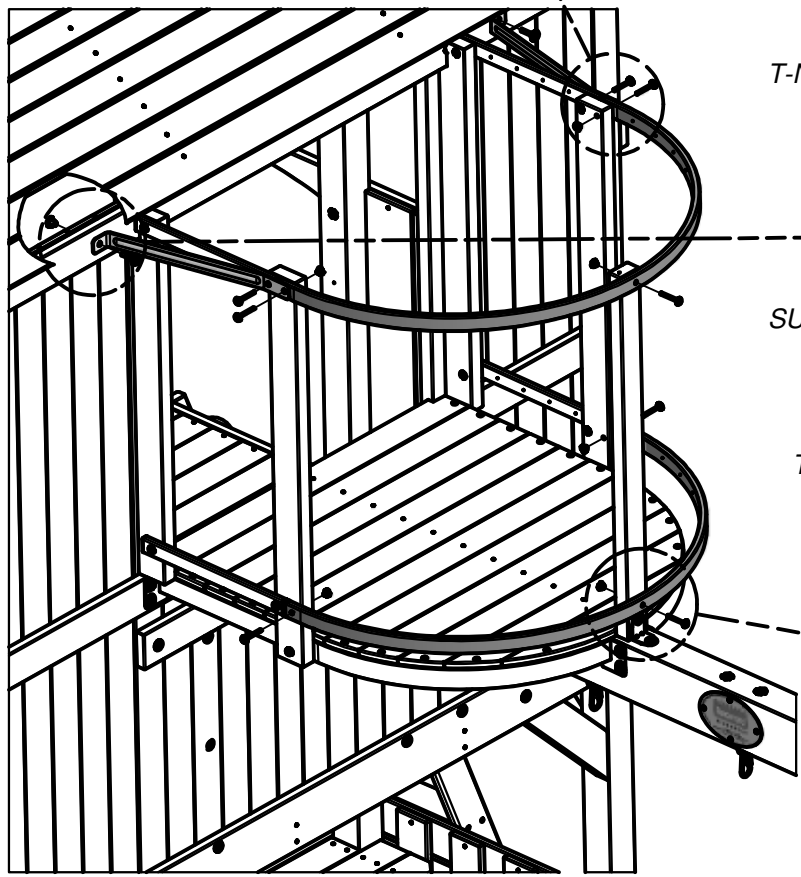
FIG. 2



T-NUT 5/16 BLK (2 PLCS)

BOLT WH 5/16x1 1/2 BLK (2 PLCS)

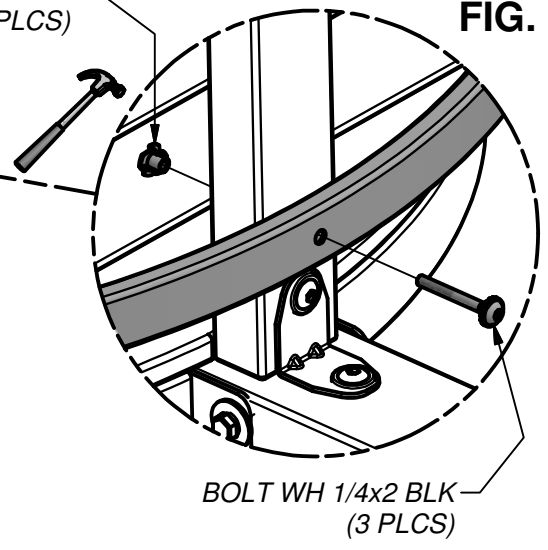
SUPPORT BRACE (2 PLCS)



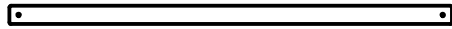
EXTERIOR VIEW
(CROW'S NEST ARCHED RAILS)
SWING BEAM

FIG. 3

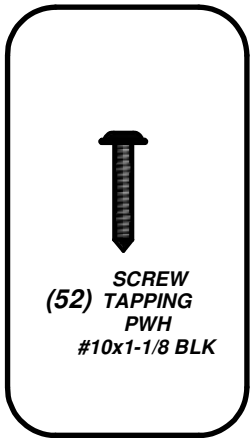
T-NUT 1/4 BLK (3 PLCS)



BOLT WH 1/4x2 BLK (3 PLCS)



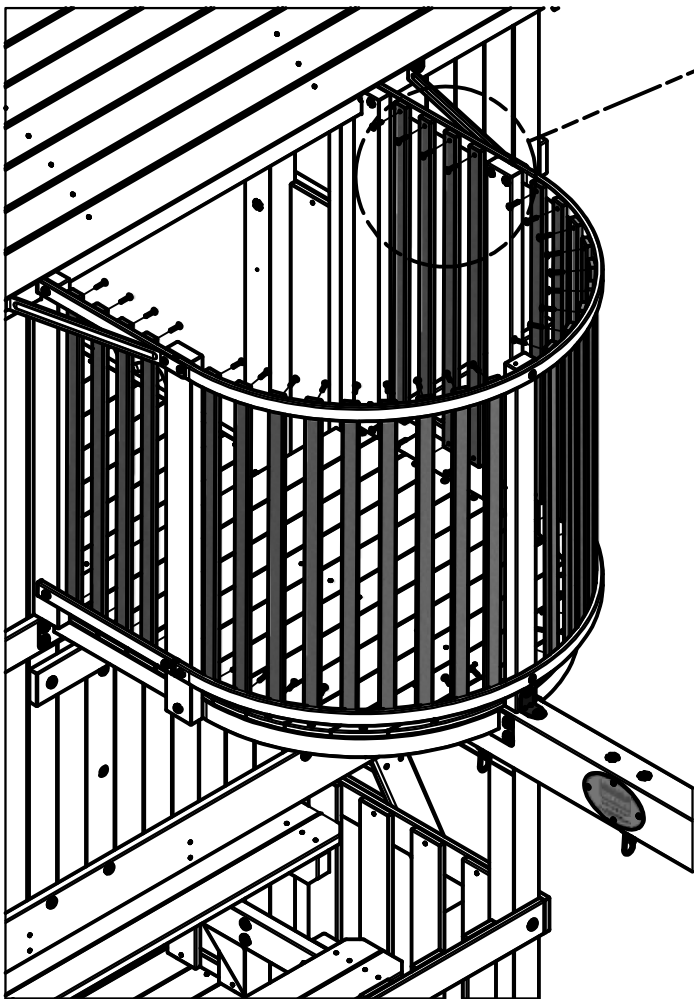
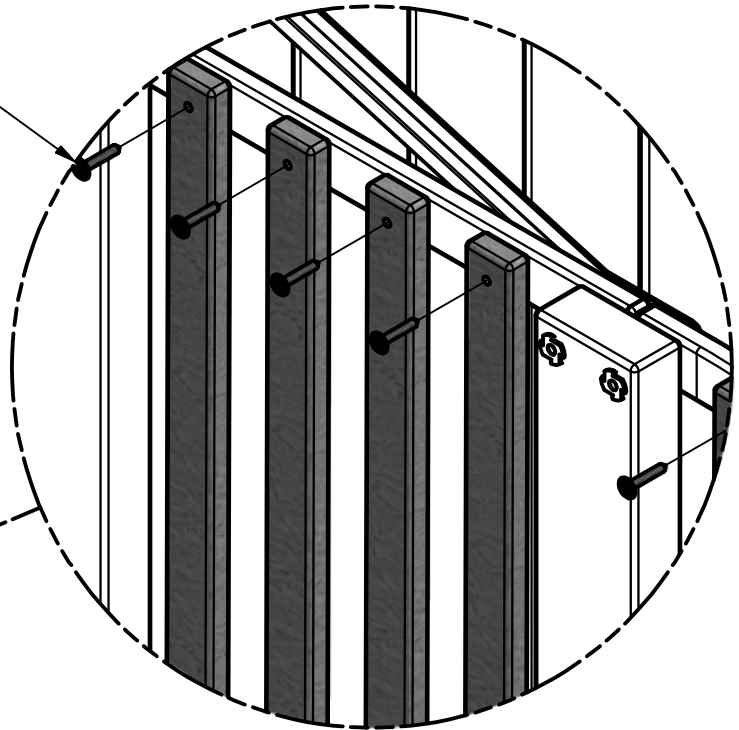
(26) O1 - PICKET - W4L07980
5/8"x1 3/8"x32 1/4" (16x34x820)



SCREW
(52) TAPPING
PWH
#10x1-1/8 BLK

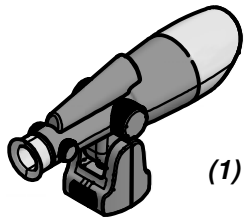
STEP 103

SCREW TAPPING PWH #10x1-1/8 BLK
(52 PLCS)



NOTE:
USE PILOT HOLES IN METAL
RAILS TO LOCATE PICKETS.

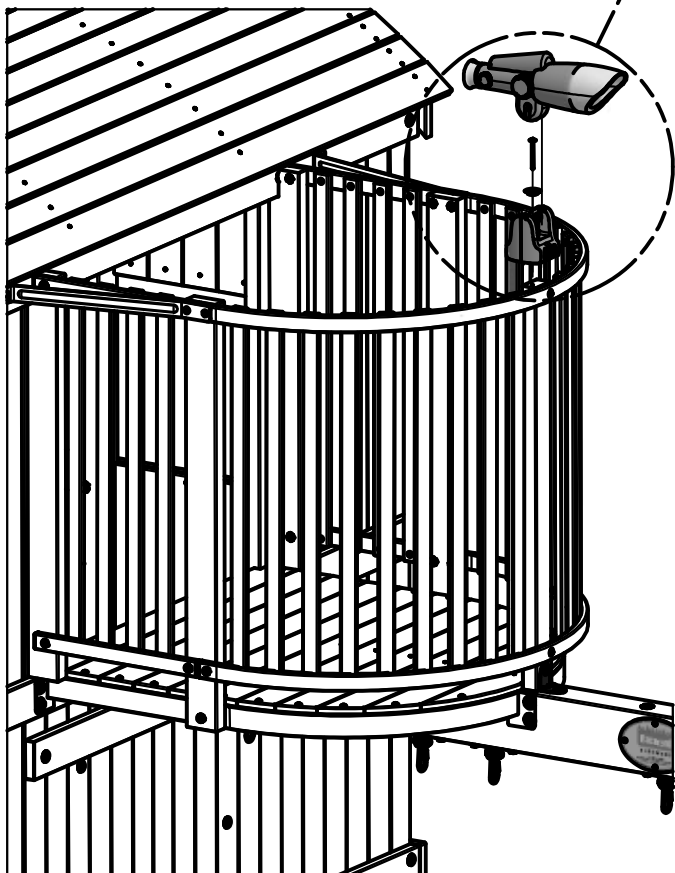
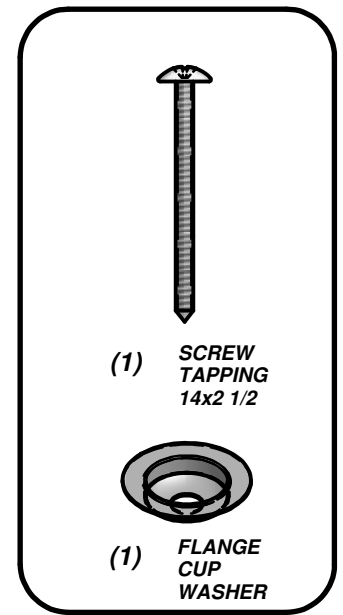
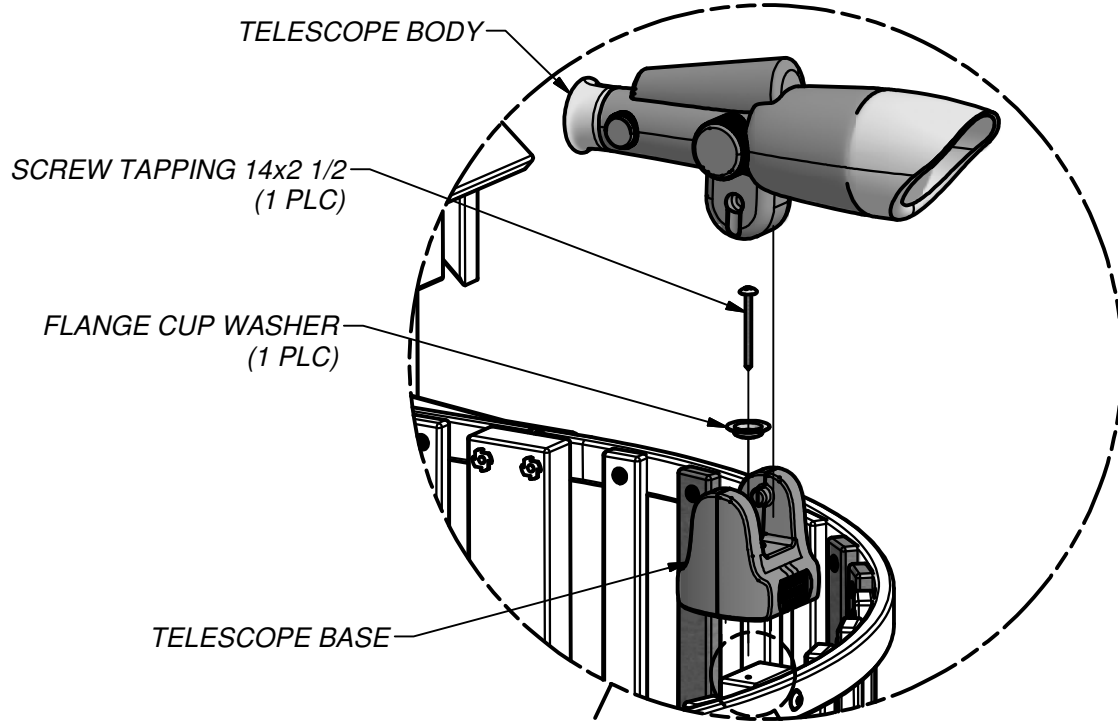
**EXTERIOR VIEW
(CROW'S NEST PICKETS)
SWING BEAM**



(1) TELESCOPE ASSEMBLY

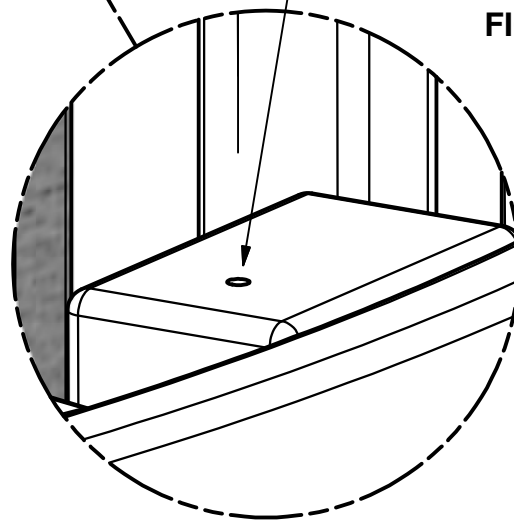
STEP 104

FIG. 1



USE PILOT HOLE FOR LOCATING TELESCOPE

FIG. 2



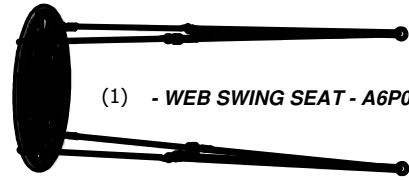
EXTERIOR VIEW
(TELESCOPE)
CROW'S NEST



(2) - SWING SEAT GREEN - A6P00054



(4) FA - QUICK LINK - A100069

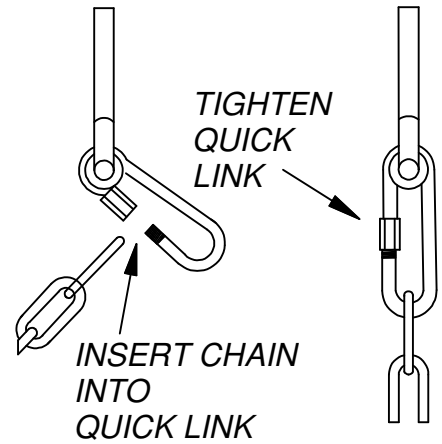
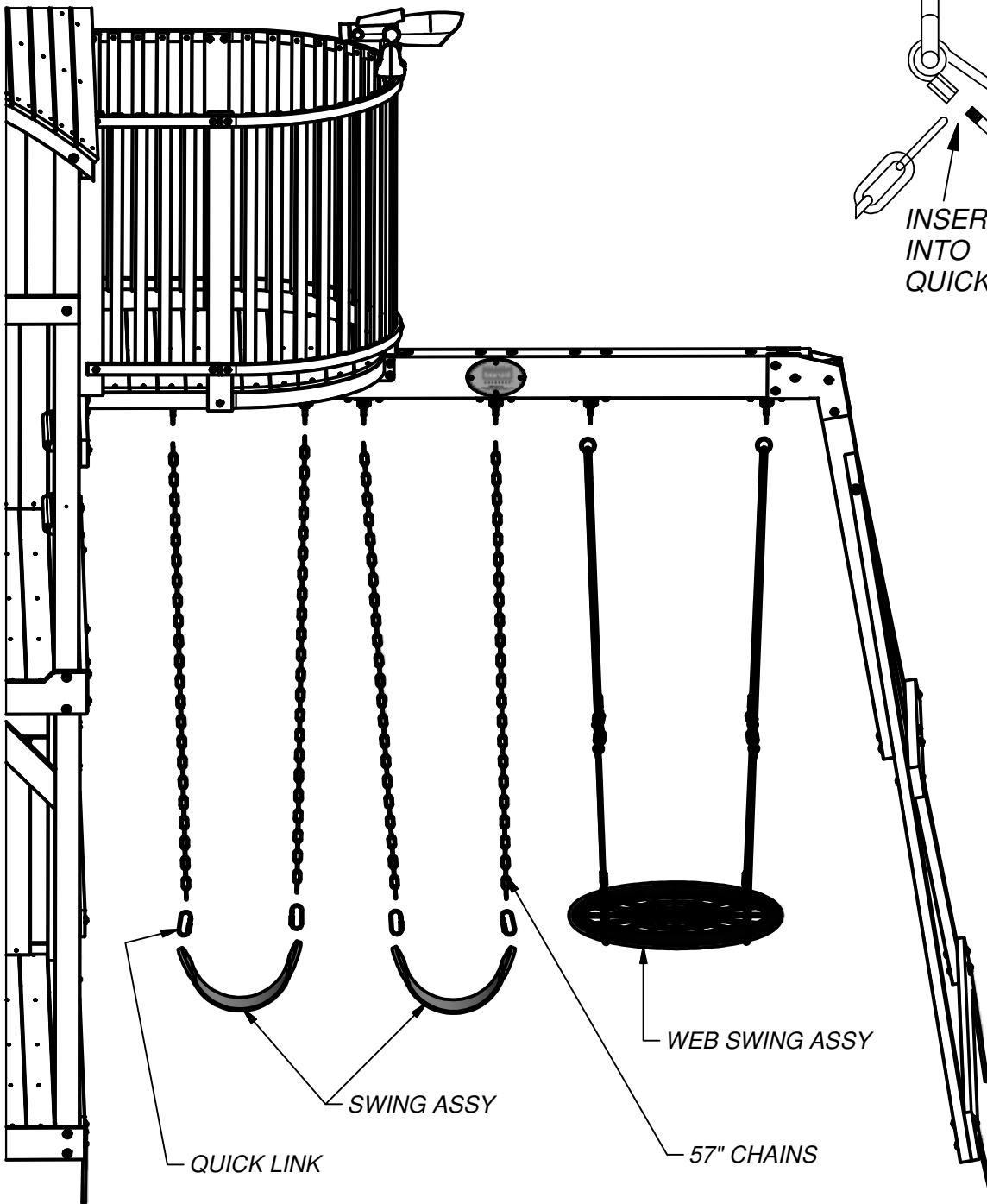


(1) - WEB SWING SEAT - A6P00253



(4) EF - CHAIN GREEN 57" - A100047

STEP 105



**EXTERIOR VIEW
(SWING ACCESSORIES)
SWING BEAM**

WEB SWING SETUP INSTRUCTIONS:

FOLLOW INSTRUCTIONS BELOW BEFORE USING THE WEB SWING.



IMPORTANT:

TO ENSURE STRAIGHT SWINGING MOTION, ADJUST ALL (4) "S" BRACKETS TO LEVEL WEB SEAT.

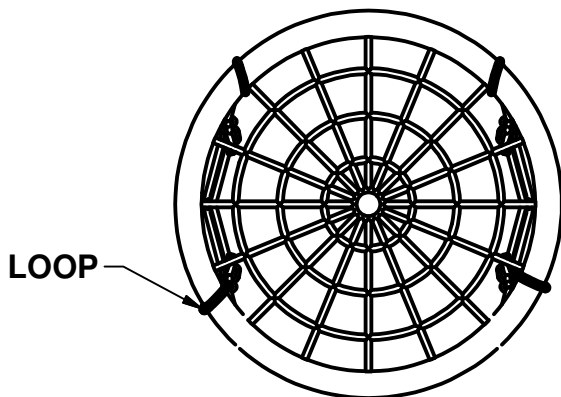
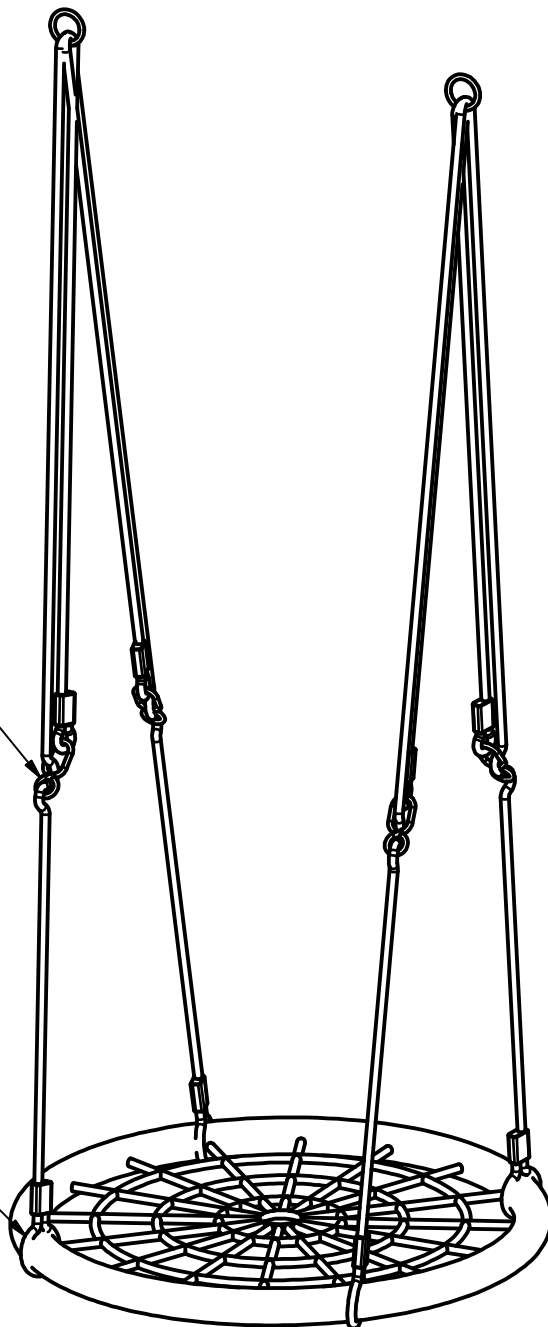


Note: It is important that the web swing hang level.

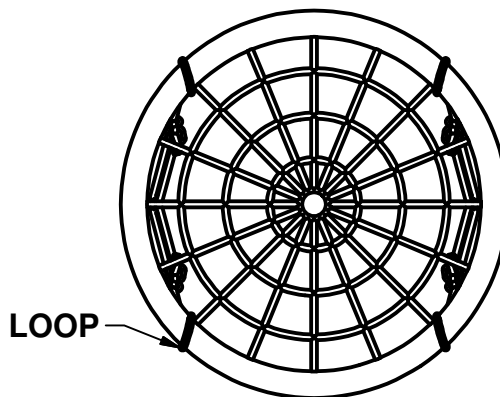


IMPORTANT:

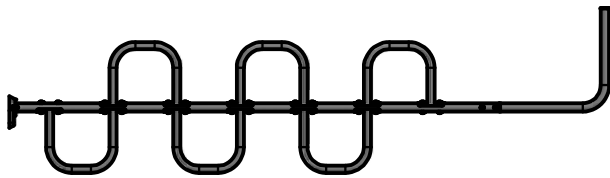
MAKE SURE THE (4) LOOPS ARE IN A SYMMETRICAL PATTERN BEFORE SWINGING. (SEE BELOW).



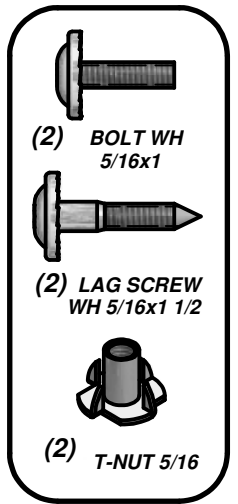
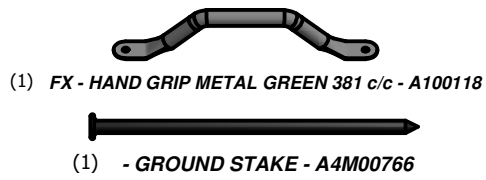
**INCORRECT LOOP LOCATIONS
(NON-SYMMETRICAL PATTERN)**



**CORRECT LOOP LOCATIONS
(SYMMETRICAL PATTERN)**



(1) CLIMBING TREE ASSEMBLY



STEP 106

FIG. 1

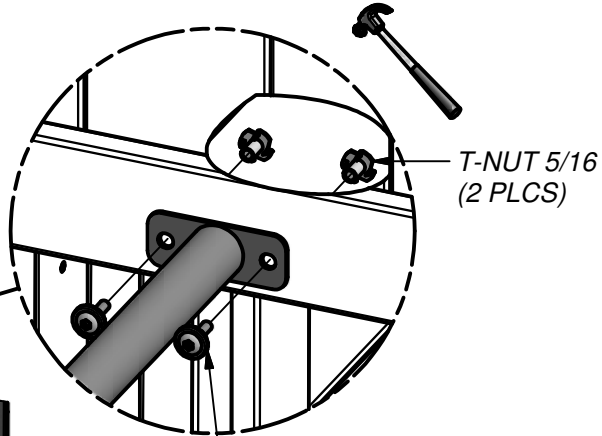


FIG. 2

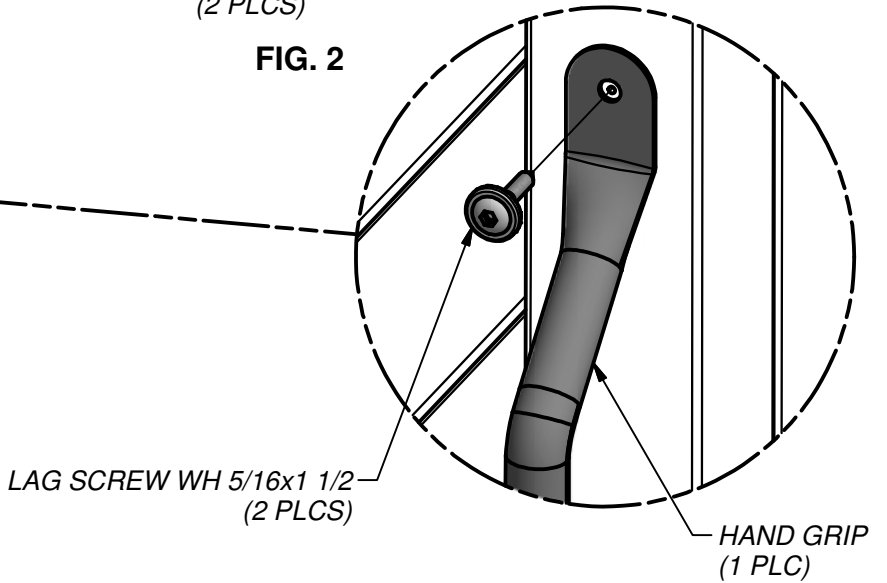
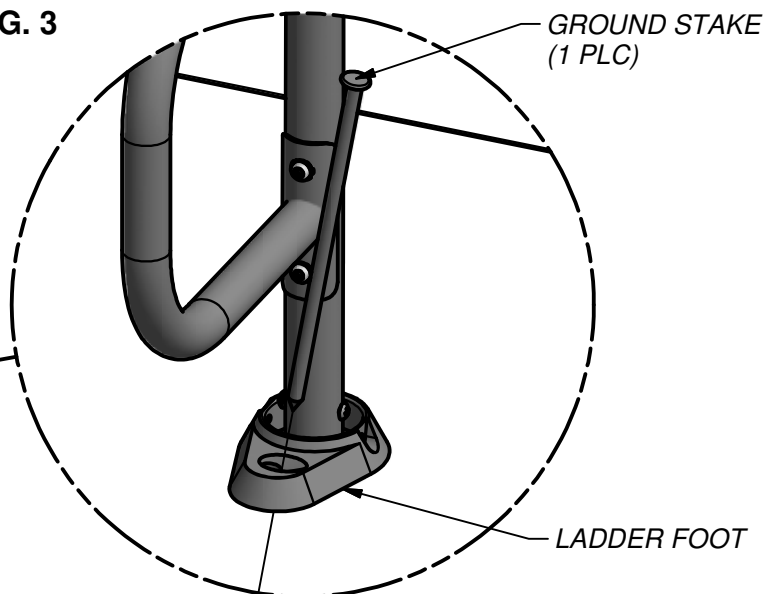
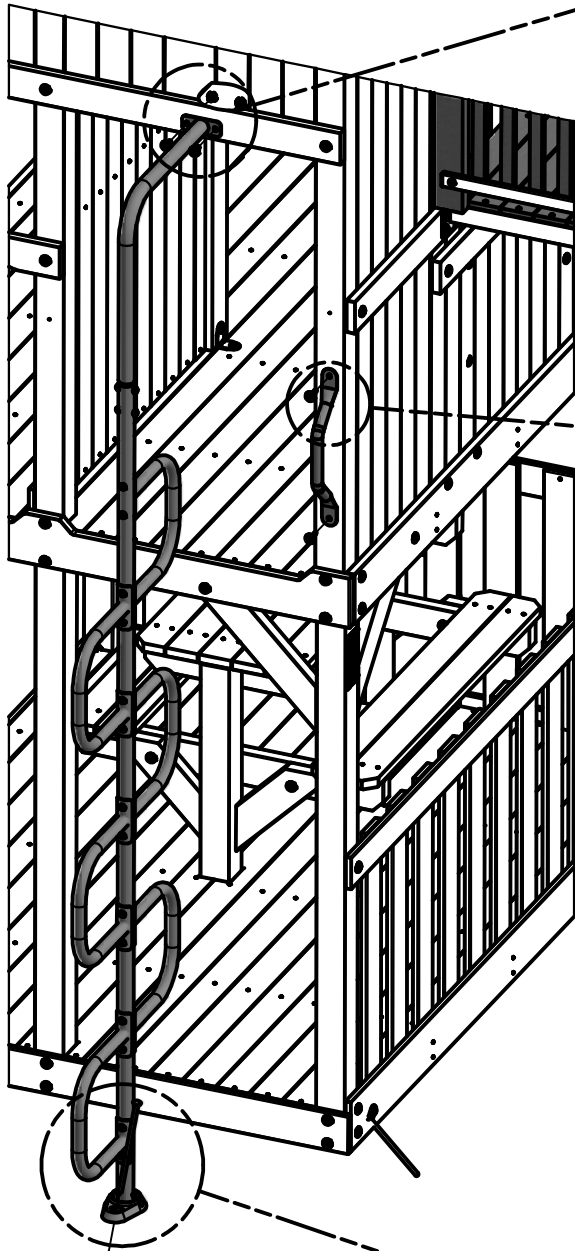
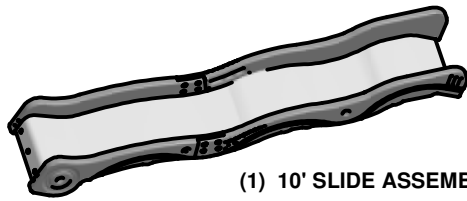


FIG. 3



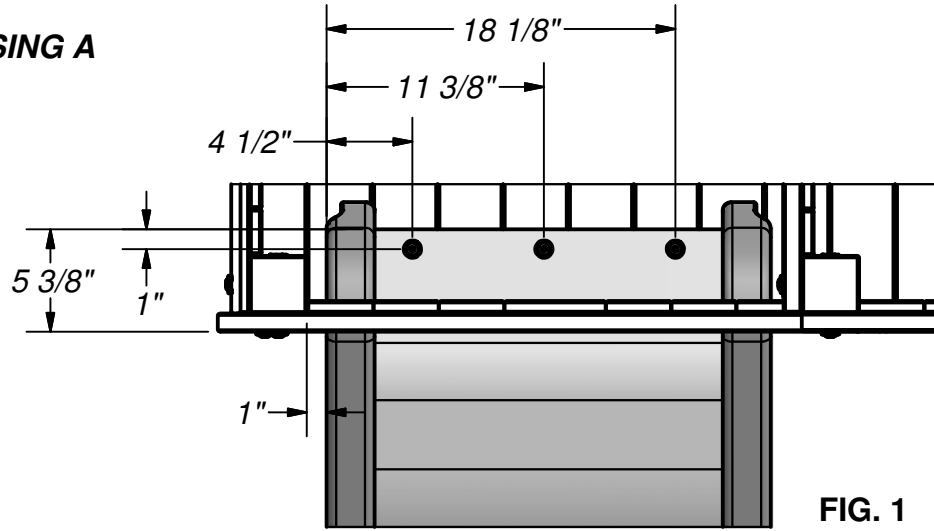
**EXTERIOR VIEW
(CLIMBING TREE)
LARGE FORT**





(1) 10' SLIDE ASSEMBLE

STEP 107
DRILL HOLES USING A
7/16" DRILL BIT.



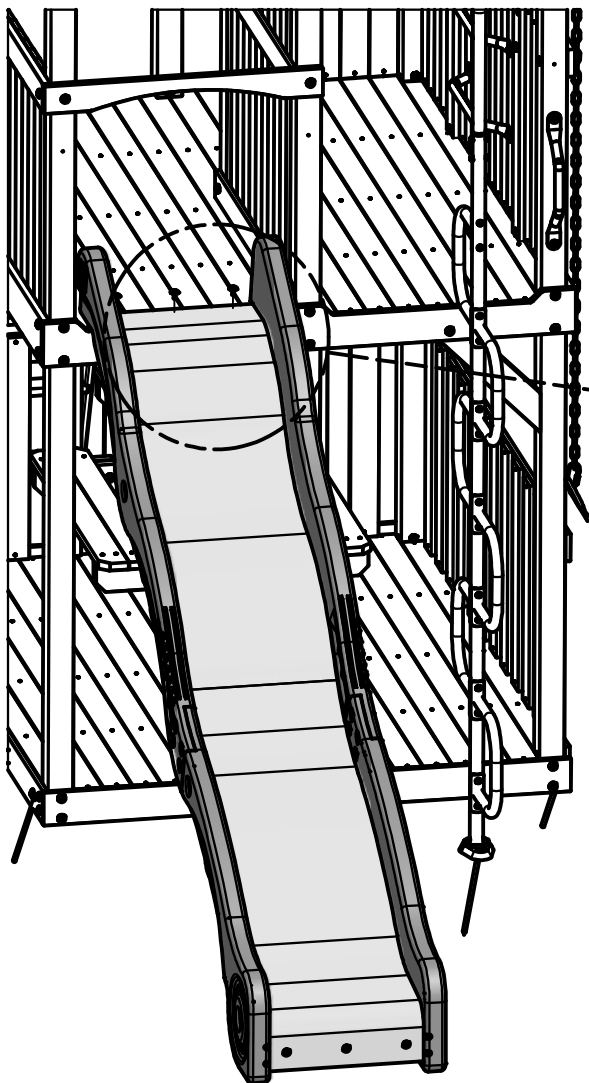
SLIDE DRILLING DIAGRAM



(3) BOLT WH
5/16x3/4

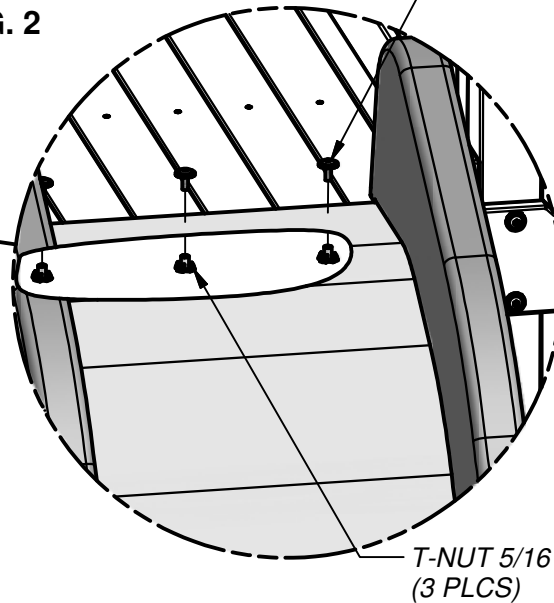


(3) T-NUT 5/16

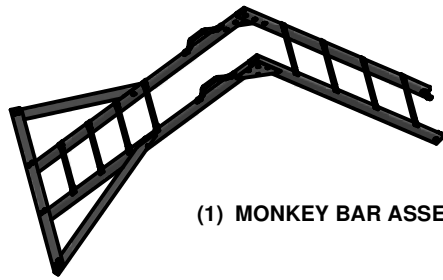


BOLT WH 5/16x3/4
(3 PLCS)

FIG. 2

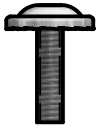


EXTERIOR VIEW
(SLIDE ATTACHMENT)
LARGE FORT



(1) MONKEY BAR ASSEMBLY

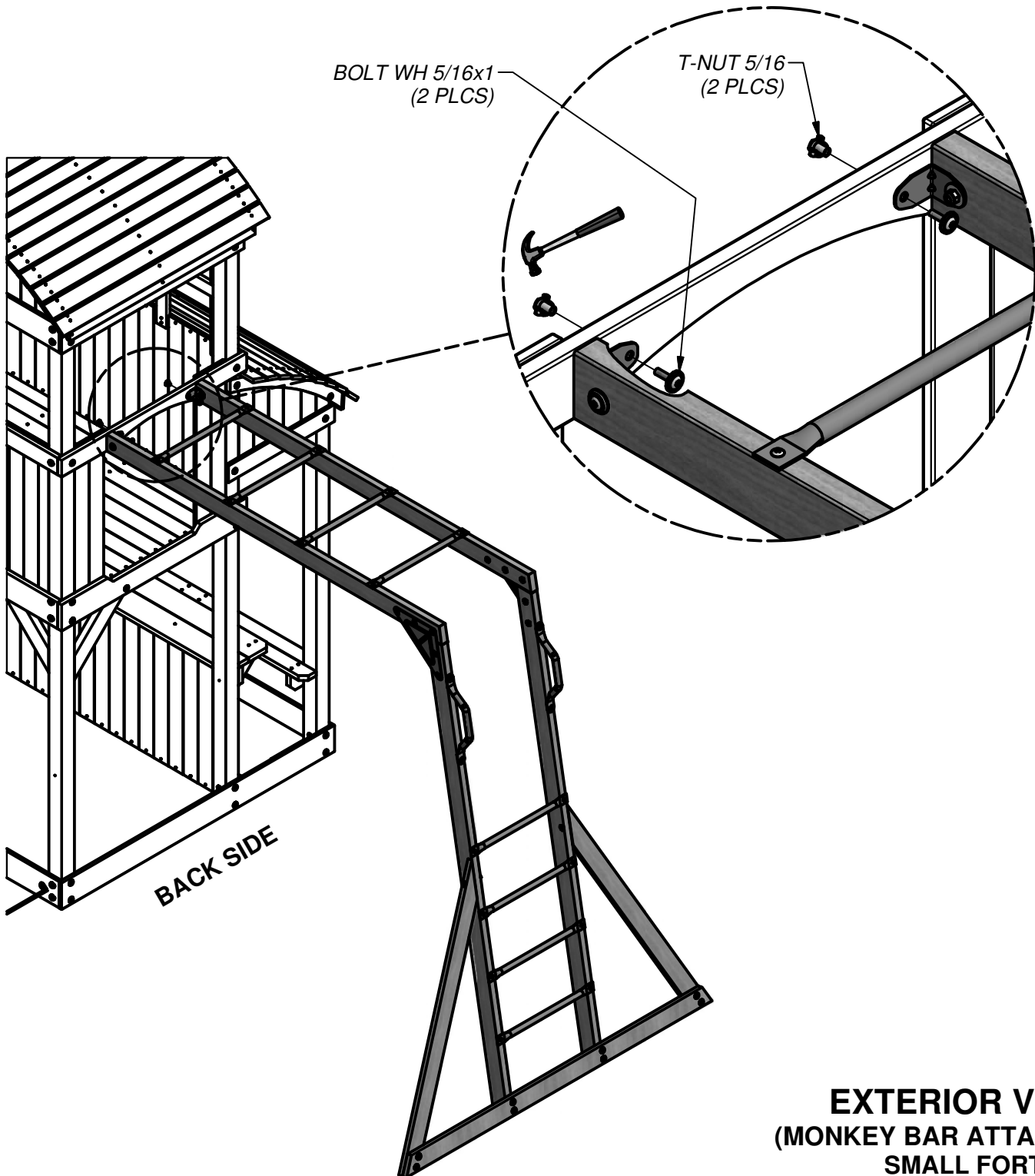
STEP 108



(2) BOLT WH 5/16x1



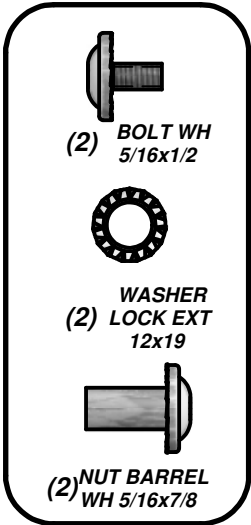
(2) T-NUT 5/16



**EXTERIOR VIEW
(MONKEY BAR ATTACHMENT)
SMALL FORT**



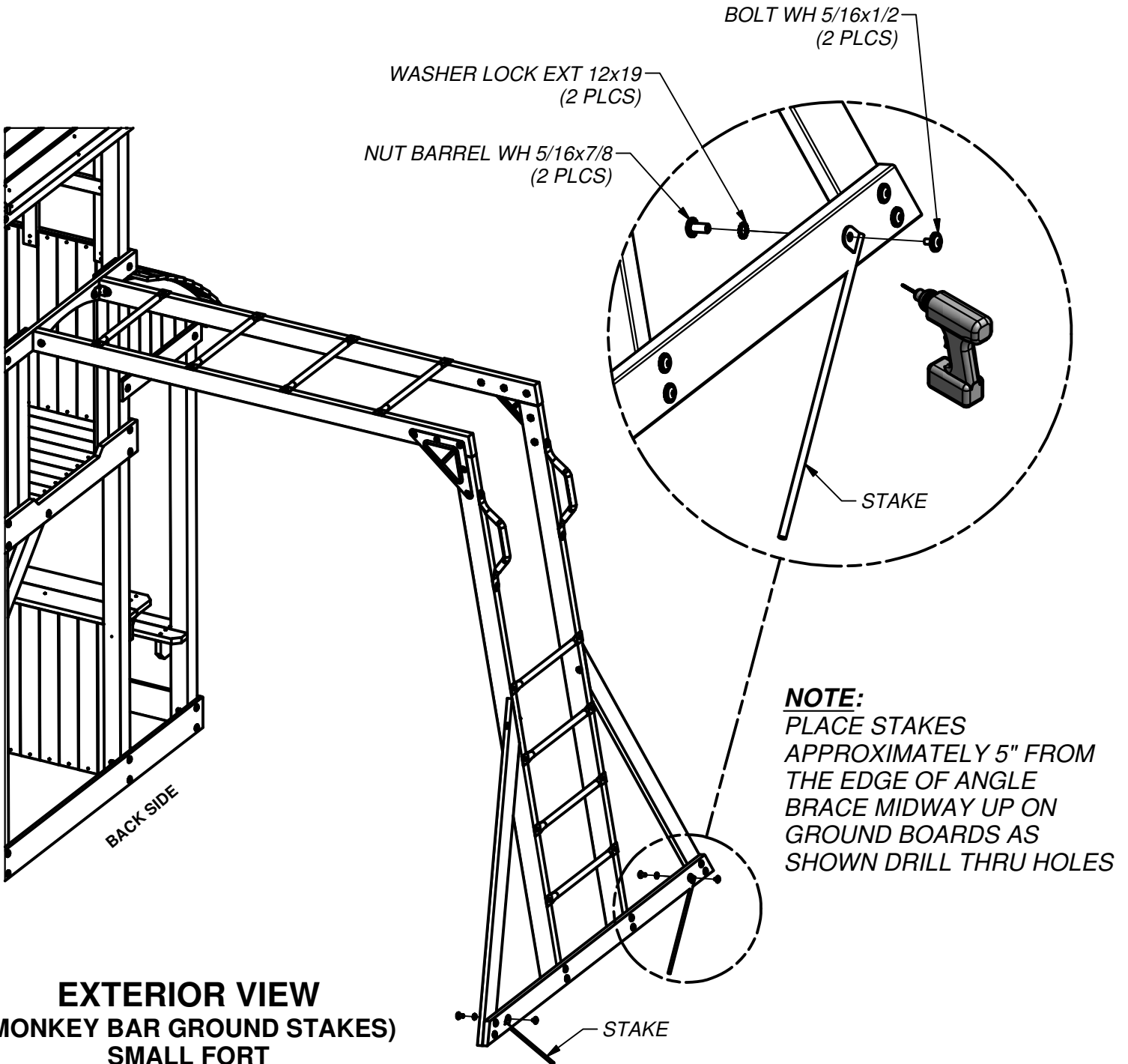
(2) - GROUND STAKE REBAR - A4M00527



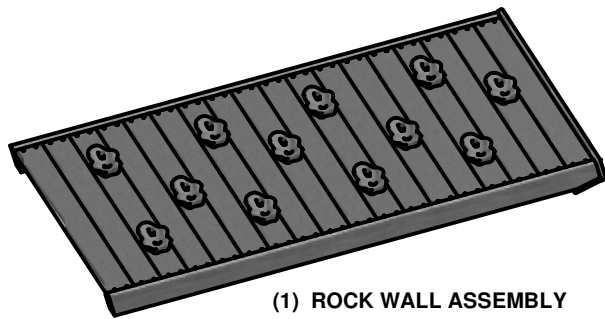
STEP 109

TAP IN GROUND STAKES AT AN APPROXIMATE 45° ANGLE AT THE LOCATIONS SHOWN. USING GROUND STAKES AS A GUIDE, DRILL 7/16" DIA HOLES.

NOTE:
FAILURE TO USE GROUND STAKES CAN VOID WARRANTY & CAUSE INJURY!



**EXTERIOR VIEW
(MONKEY BAR GROUND STAKES)
SMALL FORT**

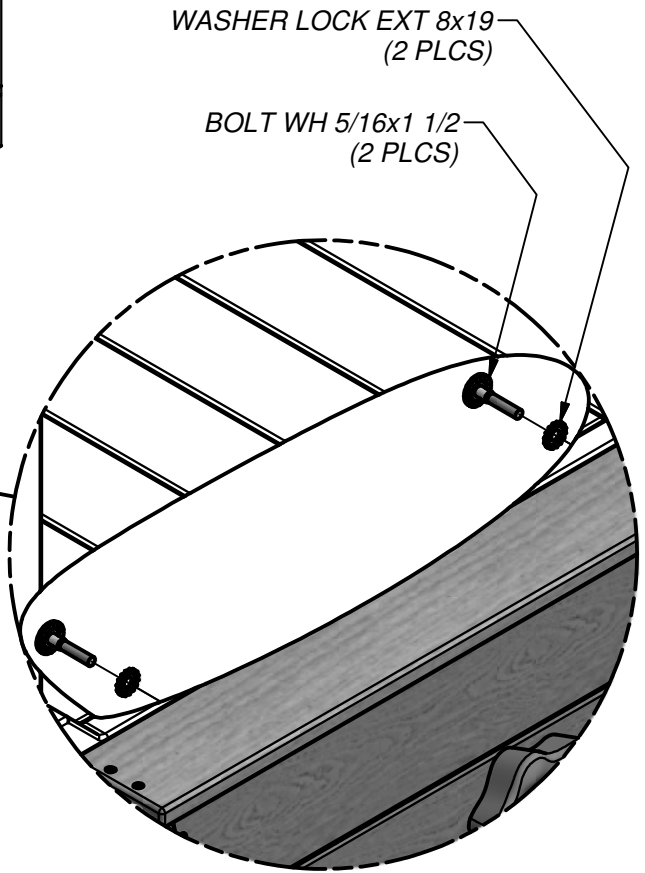
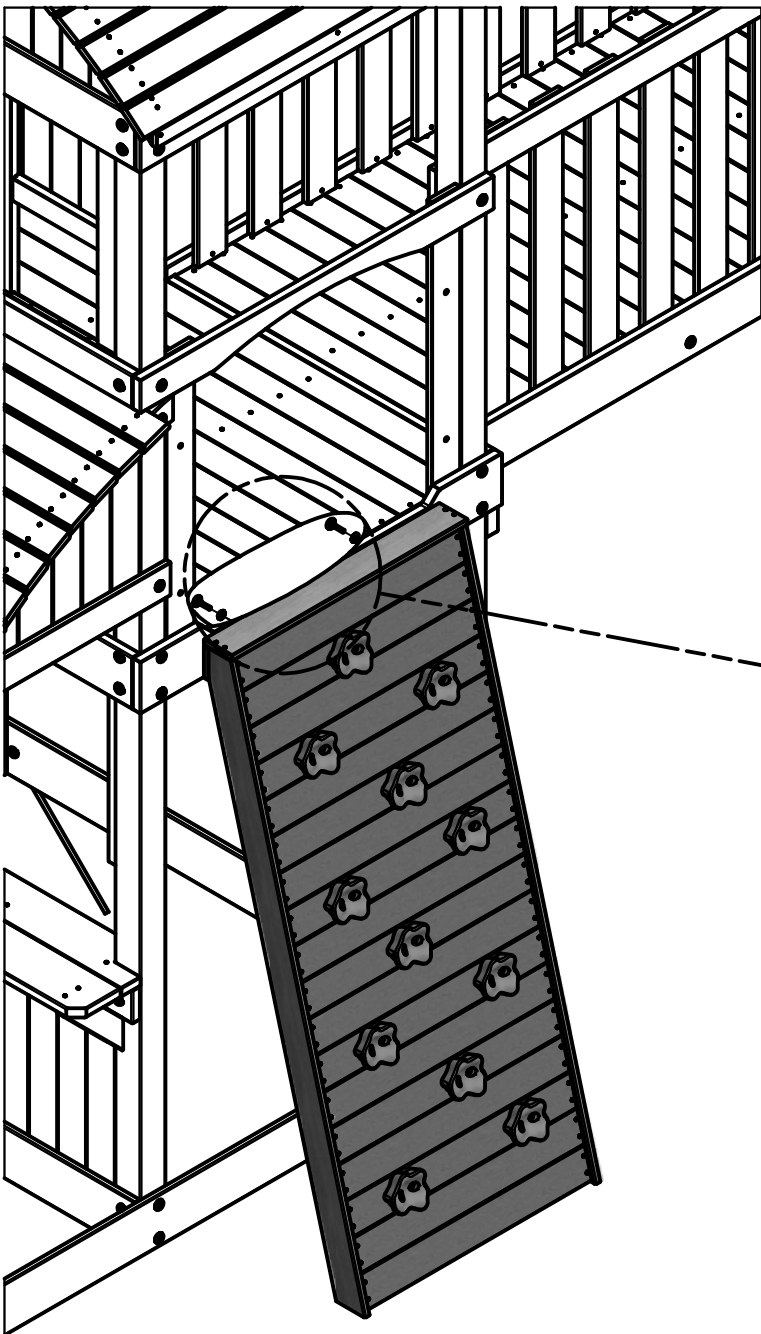


(1) ROCK WALL ASSEMBLY

STEP 110

(2) BOLT WH
5/16x1 1/2

WASHER
(2) LOCK EXT
8x19



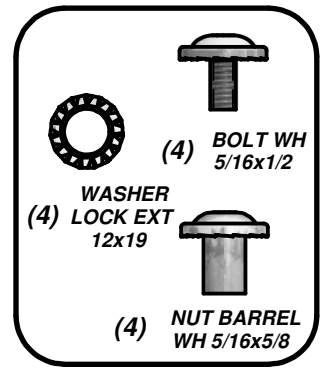
WASHER LOCK EXT 8x19
(2 PLCS)

BOLT WH 5/16x1 1/2
(2 PLCS)

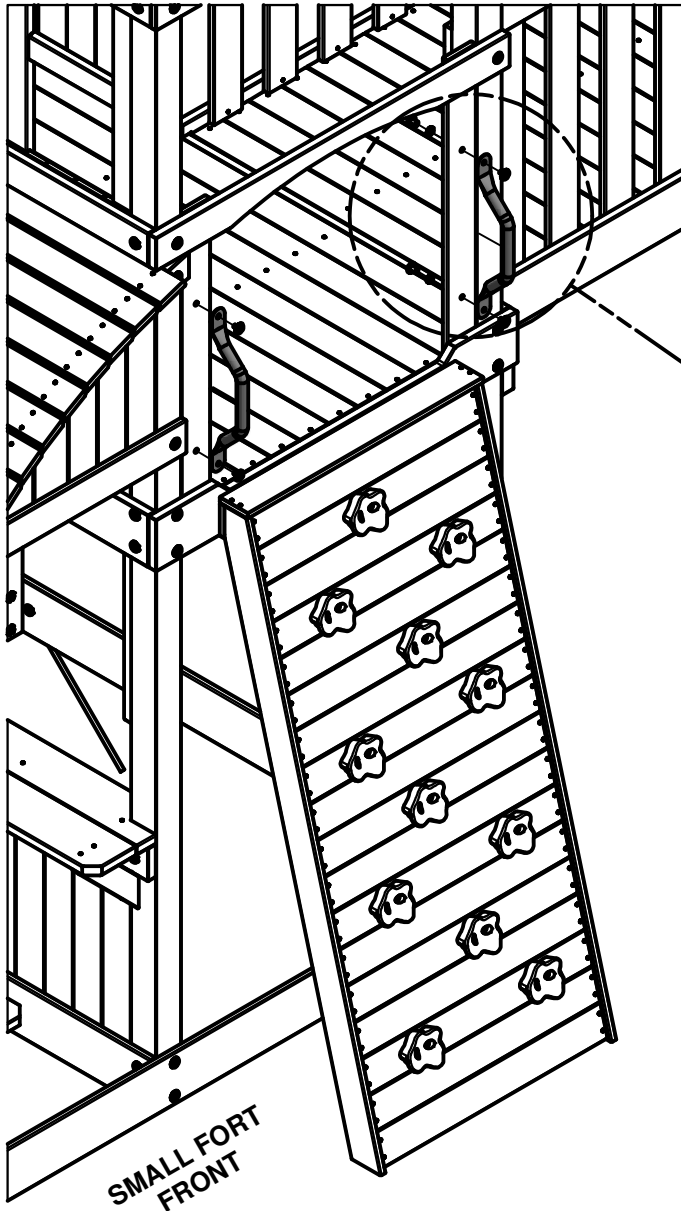
**EXTERIOR VIEW
(ROCK WALL ATTACHMENT)
SMALL FORT**



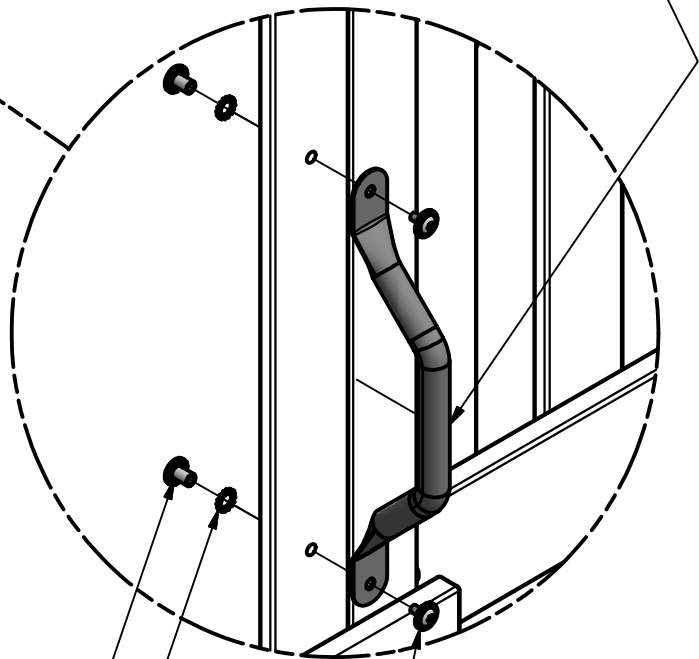
(2) FX - HAND GRIP METAL GREEN 381 c/c - A100118



STEP 111



HAND GRIP METAL GREEN 381 c/c
(2 PLCS)



BOLT WH 5/16x1/2
(4 PLCS)

WASHER LOCK EXT 12x19
(4 PLCS)

NUT BARREL WH 5/16x5/8
(4 PLCS)

FINAL STEP

DOUBLE CHECK EVERY BOLT, SCREW AND NUT FOR TIGHTNESS. MAKE SURE EVERY BOARD IS SECURE AND MAKE SURE THE PLAY SET IS LEVEL.

ENJOY YOUR NEW PLAY SET!

**EXTERIOR VIEW
(ROCK WALL GRAB HANDLES)
SMALL FORT**

Limited Warranty

This Limited Warranty by Backyard Discovery applies to products manufactured under the Backyard Discovery brand or its other brands including but not limited to Backyard Botanical, Adventure Playsets, and Leisure Time Products.

Backyard Discovery warrants that this product is free from defect in materials and workmanship for a period of one (1) year from the original date of purchase. This one (1) year warranty covers all parts including wood, hardware, and accessories. All wood carries a five (5) year pro-rated warranty against rot and decay. Refer to the schedule below for charges associated with replacement of parts under this Limited Warranty. In addition, Backyard Discovery will replace any parts within the first 30 days from date of purchase found to be missing from or damaged in the original packaging.

This warranty applies to the original owner and registrant and is **non-transferable**. Regular maintenance is required to assure maximum life and performance of this product and failure by the owner to maintain the product according to the maintenance requirements may void this warranty. Maintenance guidelines are provided in the Owner's Manual.

This Limited Warranty does not cover:

- Labor for any inspection
- Labor for replacement of any defective item(s)
- Incidental or consequential damages
- Cosmetic defects which do not affect performance or integrity of a part or the entire product
- Vandalism, improper use, failure due to loading or use beyond the capacities stated in the applicable Assembly Manual.
- Acts of nature including but not limited to wind, storms, hail, floods, excessive water exposure
- Improper installation including but not limited to installation on uneven, unlevel, or soft ground
- Minor twisting, warping, checking, or any other natural occurring properties of wood that do not affect performance or integrity

Backyard Discovery products have been designed for safety and quality. Any modifications made to the original product could damage the structural integrity of the unit leading to failure and possible injury. Modification voids any and all warranties and Backyard Discovery assumes no liability for any modified products or consequences resulting from failure of a modified product.

This product is warranted for RESIDENTIAL USE ONLY. Under no circumstance should a Backyard Discovery product be used in public settings. Such use may lead to product failure and potential injury. Any and all public use will void this warranty. Backyard Discovery disclaims all other representations and warranties of any kind, express or implied.

This Warranty gives you specific legal rights. You may have other rights as well which vary from state to state or province to province. This warranty excludes all consequential damages, however, some states do not allow the limitation or exclusion of consequential damages and therefore this limitation may not apply to you.

Pro Rated Part Replacement Schedule

Product Age

All Parts

0-30 days from date of purchase

31 days to 1 year

Wood Rot and Decay Only

1 year

2 years

3 years

4 years

5 years

Over 5 years

Customer Pays

\$0 and free shipping

\$0 + S&H

\$0 and free shipping

20% + S&H

40% + S&H

60% + S&H

80% + S&H

100% + S&H