



Manufactured by:
 Backyard Discovery
 3305 Airport Drive, Pittsburg, KS 66762
 800-856-4445

Basepoint Business Centre: Rivermead Drive, Westlea, Swindon SN5 7EX Phone: 0800-118-2476 J.P. Coenstraat 7, The Bridge, The Hague, 2595 WP, Netherlands Phone: 08005678990

ASHLAND 10x14 PERGOLA

MODEL # : 2006515B



Please visit www.backyarddiscovery.com
 For the most up to date assembly manual, to register your product, or to order replacement parts *Para obtener instrucciones en español, visite*
www.backyarddiscovery.com



EASY STEP-BY-STEP
 3D INTERACTIVE INSTRUCTIONS
 DOWNLOAD THE FREE APP



INSTALLATION SERVICES
 AVAILABLE!
 See inside for details



It is critically important that you start with square and level footings, concrete pad or deck to attach your structure

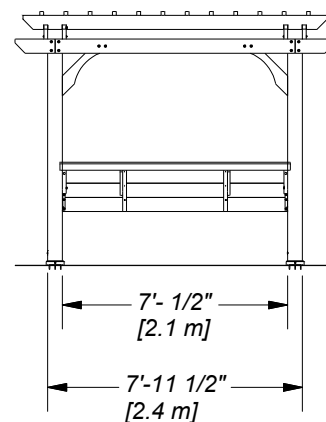
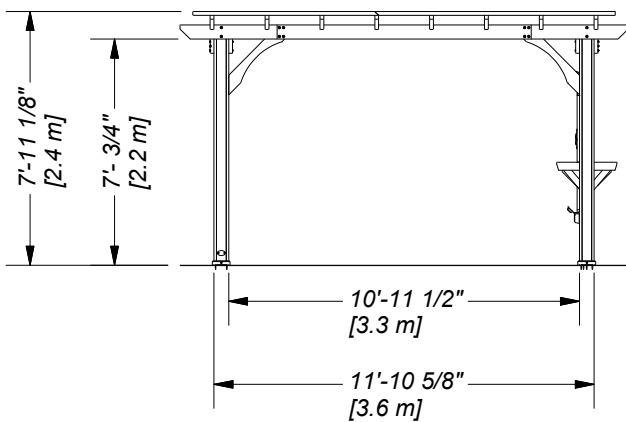
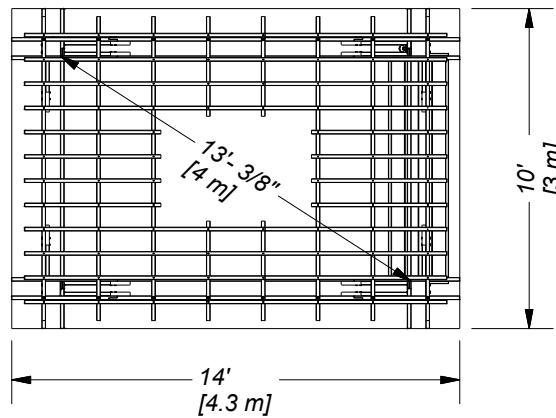
- Pay close attention to the items needed for each step. Make sure you are using the correct hardware for each step. Using incorrect hardware may result in improper assembly.
- Remember to double check for underground utilities and overhead electrical lines.

Post mounts are provided with your structure which allows you to permanently install your structure to a pre-existing or new wood or concrete surface.

- The hardware to attach the post mounts to the structure is included.
- The hardware to mount the structure permanently to a concrete surface is included.
- The hardware to mount the structure permanently to a wood deck is NOT included and will need to be purchased separately. You must ensure there is ample structural support under the deck before permanently attaching.

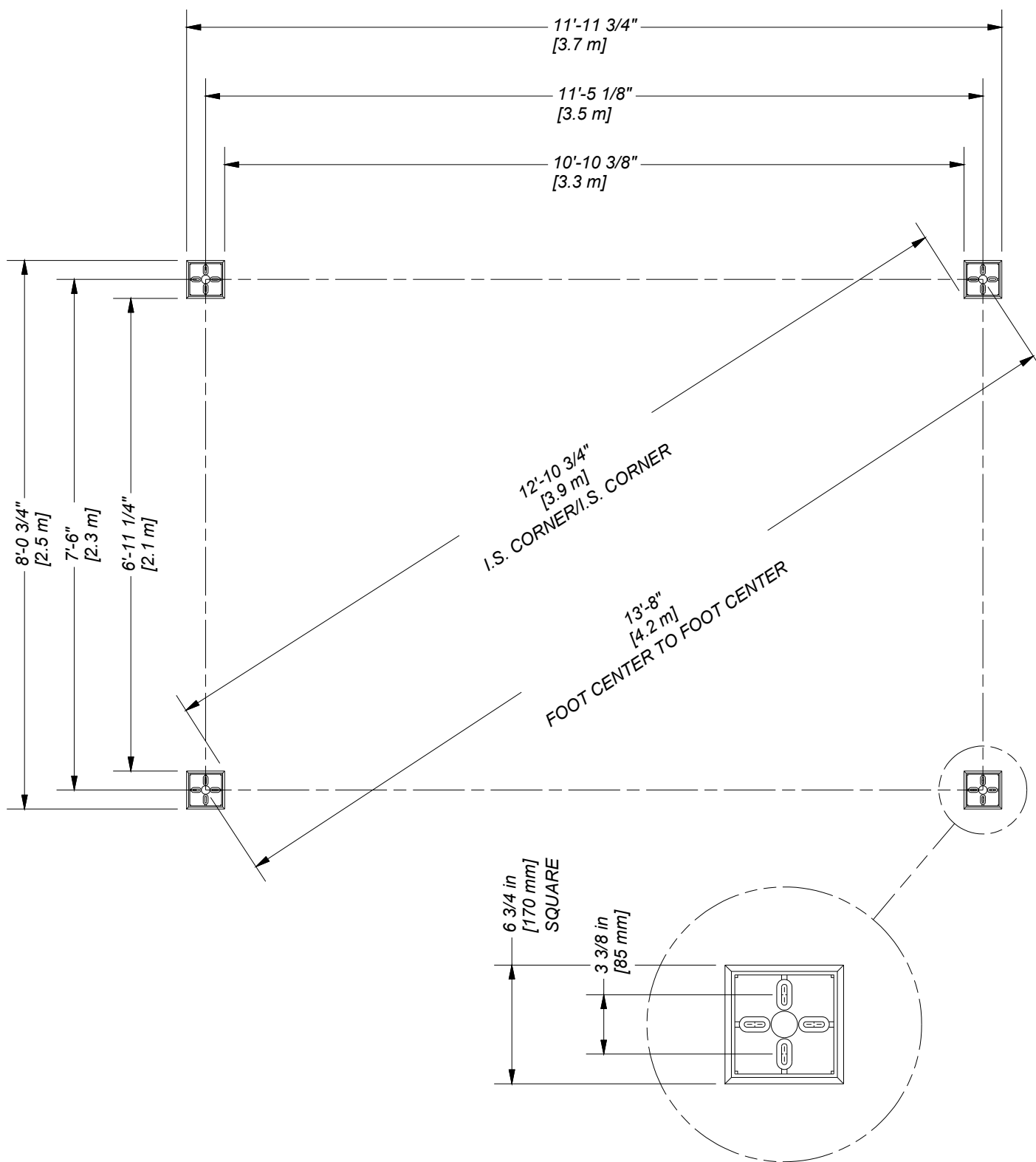
Ground Dimension

EXAMPLE: 14' (4.3m) x 10' (3m) x 7' 11-1/8" (2.4m)





ANCHORING LAYOUT





Wood Components (Not to Scale)



D01 | JOIST - W4L12974
(x2) | 1 3/8"x5 1/4"x95 1/4" (36x134x2420)



D02 | JOIST - W4L12983
(x2) | 1 3/8"x5 1/4"x95 1/4" (36x134x2420)



D03 | JOIST END - W4L12994
(x2) | 1 3/8"x5 1/4"x39 3/4" (36x134x1008)



D04 | JOIST END - W4L12973
(x2) | 1 3/8"x5 1/4"x39 3/4" (36x134x1008)



D05 | JOIST END - W4L12982
(x2) | 1 3/8"x5 1/4"x39 3/4" (36x134x1008)



D06 | JOIST END - W4L12993
(x2) | 1 3/8"x5 1/4"x39 3/4" (36x134x1008)



D07 | JOIST END - W4L12996
(x4) | 1 7/16"x5 1/4"x17 3/4" (36x134x451)



D08 | JOIST - W4L12977
(x2) | 1 3/8"x5 1/4"x90" (36x134x2286)



D09 | JOIST - W4L12975
(x2) | 1 3/8"x5 1/4"x90" (36x134x2286)



D10 | JOIST END - W4L12972
(x4) | 1 3/8"x5 1/4"x17 3/4" (36x134x451)



Wood Components (Not to Scale)



D11 | LONG ANGLE BRACE - W4L12980
(x8) | 1 3/8"x5 1/4"x37 1/8" (36x134x942)



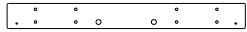
D14 | SHORT ANGLE BRACE W/TAG-W2A03455
(x1) | 1 3/8"x5 1/4"x29 3/4" (36x134x755)



D12 | SHORT ANGLE BRACE - W4L12981
(x3) | 1 3/8"x5 1/4"x29 3/4" (36x134x755)



D13 | SLOTTED JOIST - W4L12976
(x8) | 1 3/8"x5 1/4"x114" (36x134x2896)



F01 | TABLE TOP RAIL - W4L12989
(x2) | 1 3/8"x2"x18 5/8" (36x50x473)



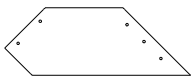
F02 | ANGLE BRACE - W4L12988
(x1) | 1 3/8"x2 3/8"x12 5/8" (36x60x320)



F03 | ANGLE BRACE - W4L12991
(x1) | 1 3/8"x2 3/8"x12 5/8" (36x60x320)



F04 | ANGLE BRACE - W4L12992
(x2) | 1 3/8"x2 3/8"x12 5/8" (36x60x320)



G02 | ANGLE BRACE - W4L12995
(x4) | 1"x5 1/4"x16 5/8" (24x134x369)



H01 | TABLE TOP TRIM - W4L12985
(x4) | 1"x3"x8 1/2" (24x76x216)



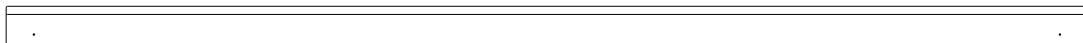
P01 | PURLIN - W4L12978
(x12) | 1 3/8"x1 3/8"x69 5/8" (36x36x1768)



P02 | PURLIN - W4L12979
(x12) | 1 3/8"x1 3/8"x90 1/4" (36x36x2291)



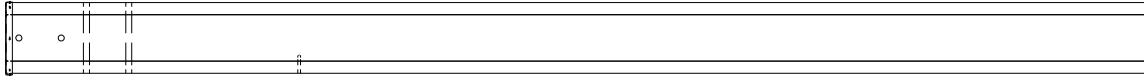
P03 | CLEAT - W4L12997
(x2) | 1 3/8"x1 3/8"x15 7/8" (36x36x403)



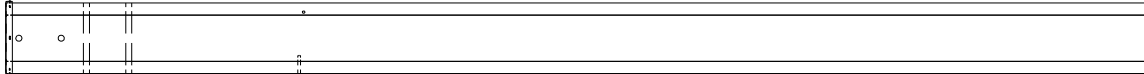
W01 | TABLE TOP RAIL - W4L12984
(x2) | 2"x3"x84 1/2" (50x76x2146)



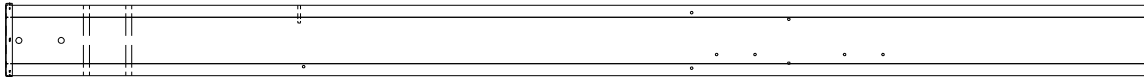
Wood Components (Not to Scale)



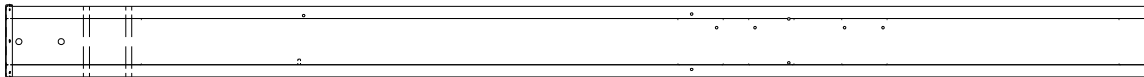
UP1 | **PERGOLA POST - W2A02952**
(x1) | 5 1/2"x5 1/2"x89 1/2" (140x140x2273)



UP2 | **PERGOLA POST - W2A02955**
(x1) | 5 1/2"x5 1/2"x89 1/2" (140x140x2273)



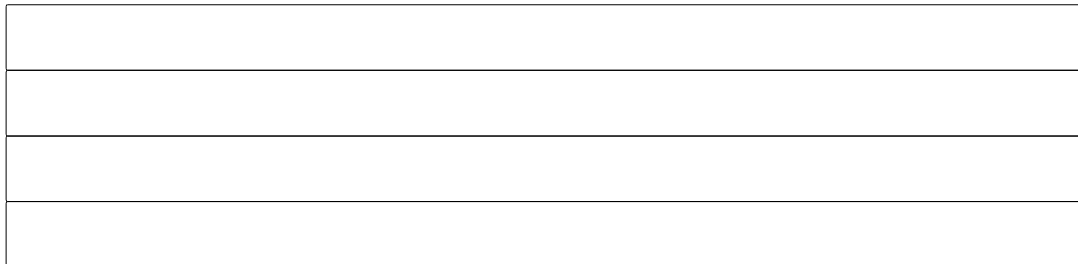
UP3 | **PERGOLA POST - W2A02956**
(x1) | 5 1/2"x5 1/2"x89 1/2" (140x140x2273)



UP4 | **PERGOLA POST - W2A02957**
(x1) | 5 1/2"x5 1/2"x89 1/2" (140x140x2273)



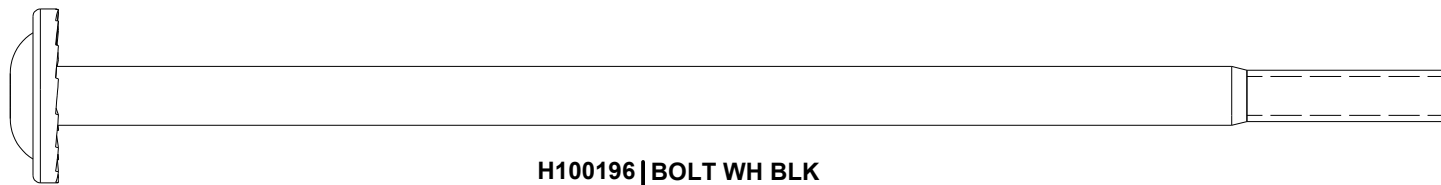
WP1 | **WALL PANEL - W2A02953**
(x1) | 2 3/8"x15 7/8"x84 1/2" (60x403x2146)



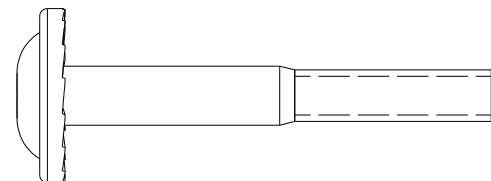
TP1 | **TABLE TOP PANEL - W2A02954**
(x1) | 1 9/16"x20 1/2"x84 7/16" (40x521x2145)



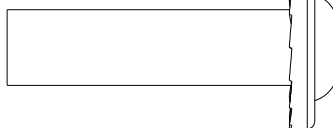
Hardware Components



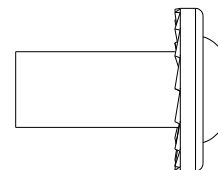
H100196 | BOLT WH BLK
(x26) | 5/16x7-1/4



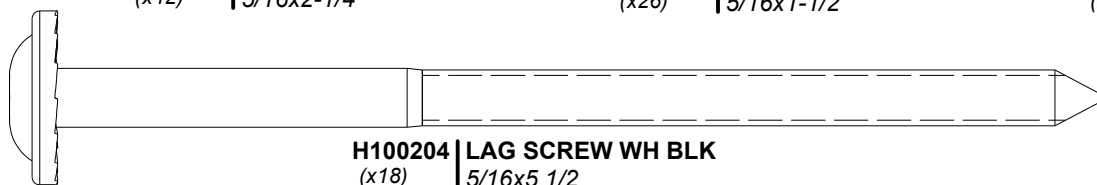
H100205 | BOLT WH BLK
(x42) | 5/16x2-1/4



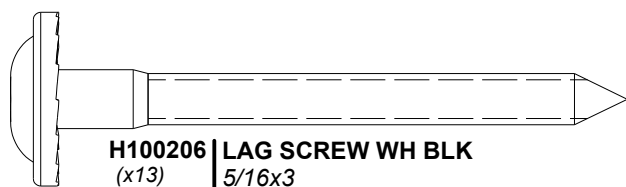
H100193 | NUT BARREL WH BLK
(x26) | 5/16x1-1/2



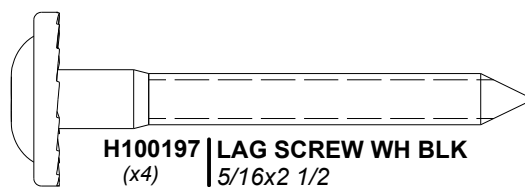
H100192 | NUT BARREL WH BLK
(x42) | 5/16x7/8



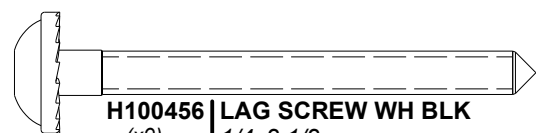
H100204 | LAG SCREW WH BLK
(x18) | 5/16x5 1/2



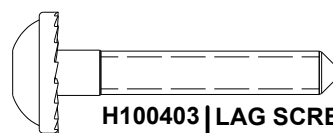
H100206 | LAG SCREW WH BLK
(x13) | 5/16x3



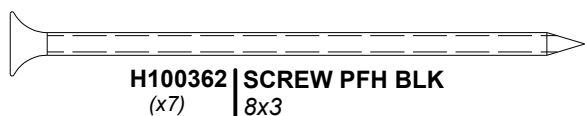
H100197 | LAG SCREW WH BLK
(x4) | 5/16x2 1/2



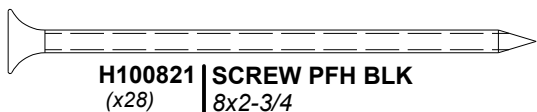
H100456 | LAG SCREW WH BLK
(x9) | 1/4x2 1/2



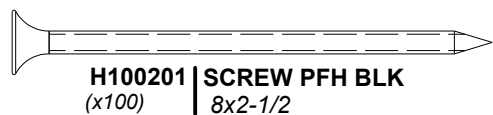
H100403 | LAG SCREW WH BLK
(x9) | 1/4x1 1/2



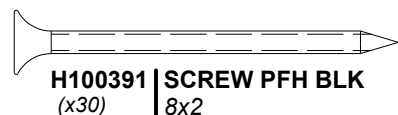
H100362 | SCREW PFH BLK
(x7) | 8x3



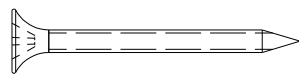
H100821 | SCREW PFH BLK
(x28) | 8x2-3/4



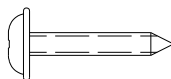
H100201 | SCREW PFH BLK
(x100) | 8x2-1/2



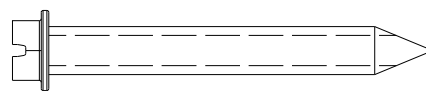
H100391 | SCREW PFH BLK
(x30) | 8x2



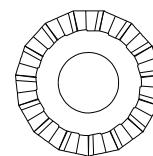
H100200 | SCREW PFH BLK
(x17) | 8x1 1/2



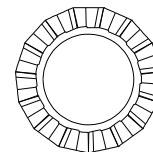
H100392 | SCREW PWH BLK
(x13) | 8x3/4



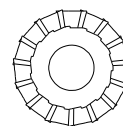
H100120 | SCREW CONCRETE ANCHOR
(x17) | 1/4x2



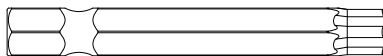
H100198 | WASHER LOCK EXT BLK
(x100) | 8x19



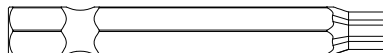
H100199 | WASHER LOCK EXT BLK
(x68) | 12x19



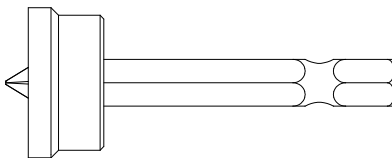
H100405 | WASHER LOCK EXT BLK
(x9) | 6x15



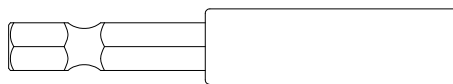
A100042 | TORX BIT
(x1) | T-40



H100147 | TORX BIT
(x1) | T-30



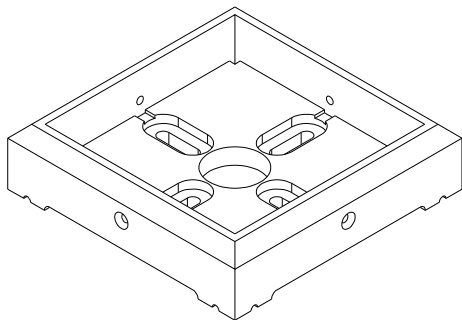
H100764 | SCREW SETTER
(x1)



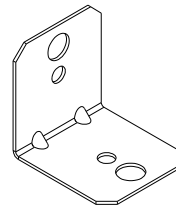
H101100 | MAGNETIC DRIVER
(x1)



Accessory Components (Not to Scale)



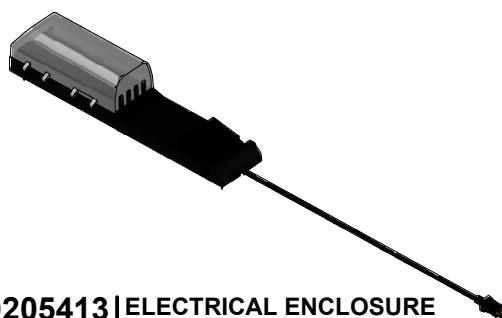
A100029 | FOOT 142 SQUARE POST
(x4)



A4M01110 | 90° L-BRACKET - BLK
(x4)



A100241 | BYD ID TAG (SMALL) WITHOUT AGES
(x1)



9205413 | ELECTRICAL ENCLOSURE
(x1)

PRE-ASSEMBLY STEP 1 - SORTING PARTS

It is critical for ease of assembly that you take the time to sort and organize the wood and hardware.

WOOD PARTS:

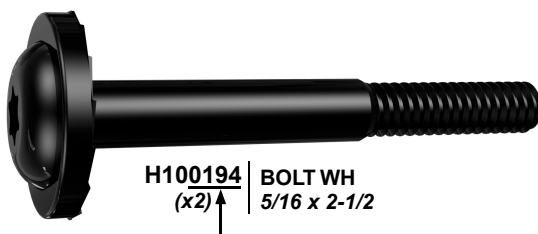
- Organize wood parts by the three-digit, alpha-numeric number stamped on each board (ex. P01).
- If there are multiple boards with the same stamped number, stack those pieces together.
- Stamps can be found on the flat surface of the boards or on the end of the boards.
- Allow yourself plenty of room - the wood pieces can take up a significant amount of space.

NOTE: CARTONS ARE NOT ORGANIZED BY BOARD NUMBER.



HARDWARE PARTS:

- We recommend that you have a separate table to organize the hardware.
- Hardware bags are printed with a seven-digit, alpha-numeric part number.
- You can organize your hardware by part number or group by hardware type (i.e. bolts, nuts, etc.).
- During assembly you only need to reference the last four digits of the number.



PRE-ASSEMBLY STEP 2 - TOOLS REQUIRED



Cordless Drill or Electric Drill



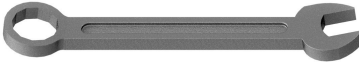
Drill Attachments:
Phillips Head



1/8", 3/16", 3/8" &
7/16" Drill Bits



Phillips Screw Driver



Open End
Wrenches 1/2" &
7/16"



3/8" Drive Ratchet, 1/2" &
7/16" STD Sockets, 1/2" &
7/16" Deep Sockets



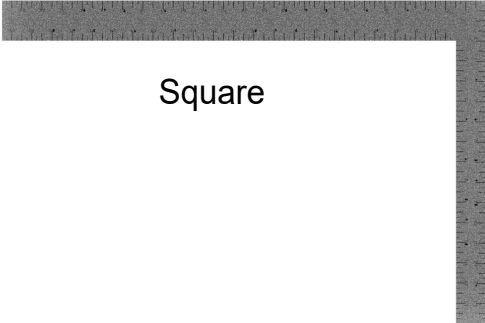
Tape Measure



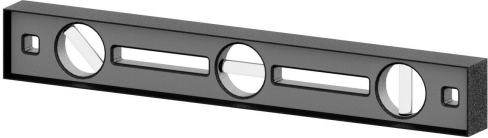
Claw Hammer



3/8 & 5/16" Nut Drivers



Square



Level 24"



Rubber Mallet -
Optional

PRE-ASSEMBLY STEP 3 - CHOOSE YOUR ASSEMBLY METHOD

There are several types of assembly instructions available to you.

1. Printed Assembly Manual included with your set
2. BILT APP - 3D interactive instructions
3. Combination of the Printed Manual and BILT APP (Note: Step numbers can differ between the two methods)





STEP 1

D07 | JOIST END - W4L12996
(x2) | 1 7/16"x5 1/4"x17 3/4" (36x134x451)

UP3 | PERGOLA POST - W2A02956
(x1) | 5 1/2"x5 1/2"x89 1/2" (140x140x2273)

D09 | JOIST - W4L12975
(x1) | 1 3/8"x5 1/4"x90" (36x134x2286)

D10 | JOIST END - W4L12972
(x2) | 1 3/8"x5 1/4"x17 3/4" (36x134x451)

UP4 | PERGOLA POST - W2A02957
(x1) | 5 1/2"x5 1/2"x89 1/2" (140x140x2273)

D08 | JOIST - W4L12977
(x1) | 1 3/8"x5 1/4"x90" (36x134x2286)

H100196 | BOLT WH BLK
(x8) | 5/16x7-1/4

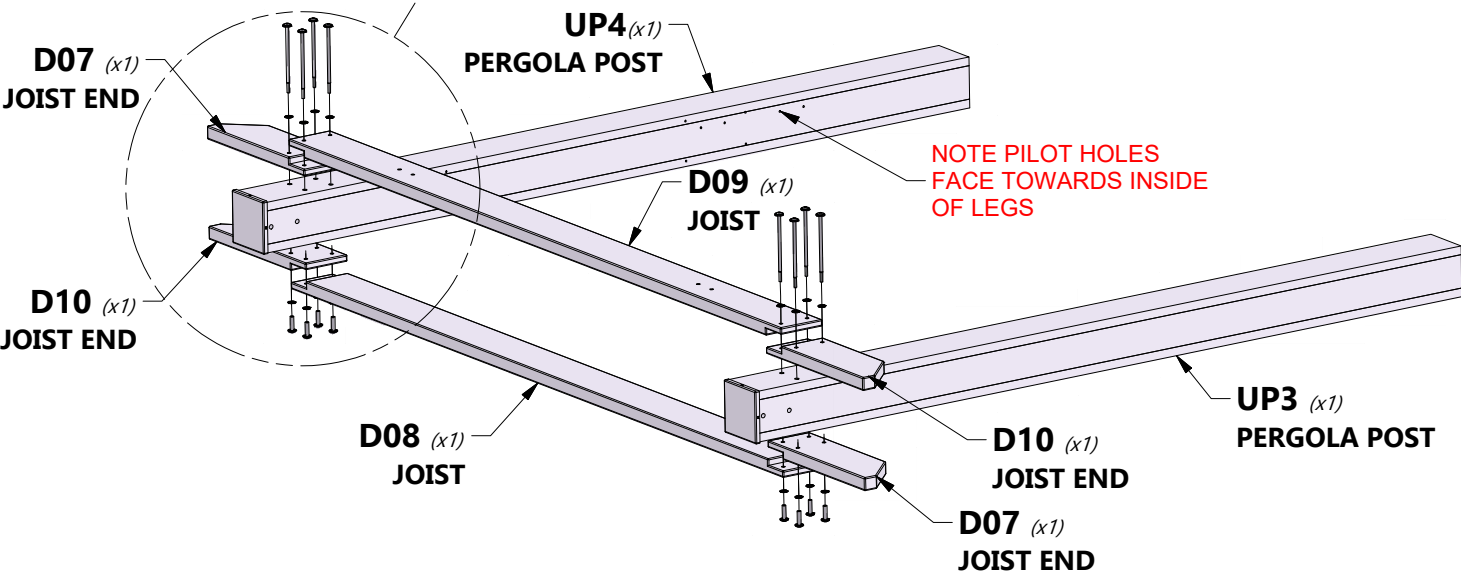
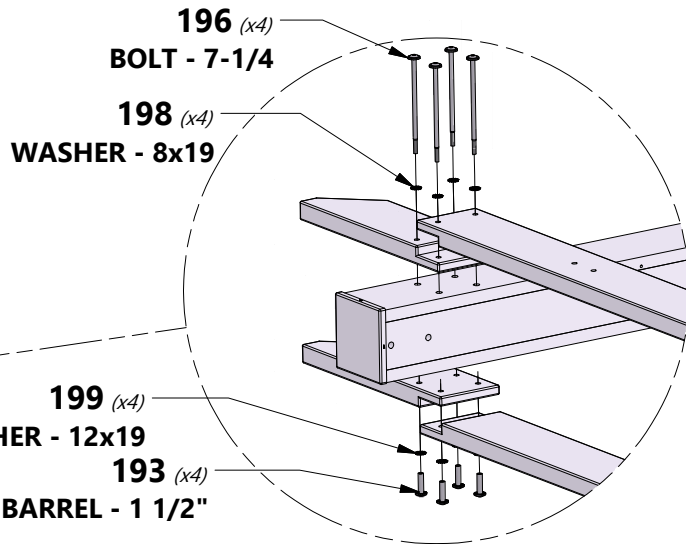
H100193 | NUT BARREL WH BLK
(x8) | 5/16x1-1/2

H100198 | WASHER LOCK EXT BLK
(x8) | 8x19

H100199 | WASHER LOCK EXT BLK
(x8) | 12x19

LAY PARTS ON GROUND OR SAW HORSES FOR EASE OF ASSEMBLY.

ASSEMBLE AS SHOWN USING THE PRE-DRILLED PILOT HOLES IN POSTS.





STEP 2

D07 | JOIST END - W4L12996
 (x2) | 1 7/16"x5 1/4"x17 3/4" (36x134x451)

UP1 | PERGOLA POST - W2A02952
 (x1) | 5 1/2"x5 1/2"x89 1/2" (140x140x223)

D09 | JOIST - W4L12975
 (x1) | 1 3/8"x5 1/4"x90" (36x134x2286)

D10 | JOIST END - W4L12972
 (x2) | 1 3/8"x5 1/4"x17 3/4" (36x134x451)

UP2 | PERGOLA POST W2A02955
 (x1) | 5 1/2"x5 1/2"x89 1/2" (140x140x223)

D08 | JOIST - W4L12977
 (x1) | 1 3/8"x5 1/4"x90" (36x134x2286)

H100196 | BOLT WH BLK
 (x8) | 5/16x7-1/4

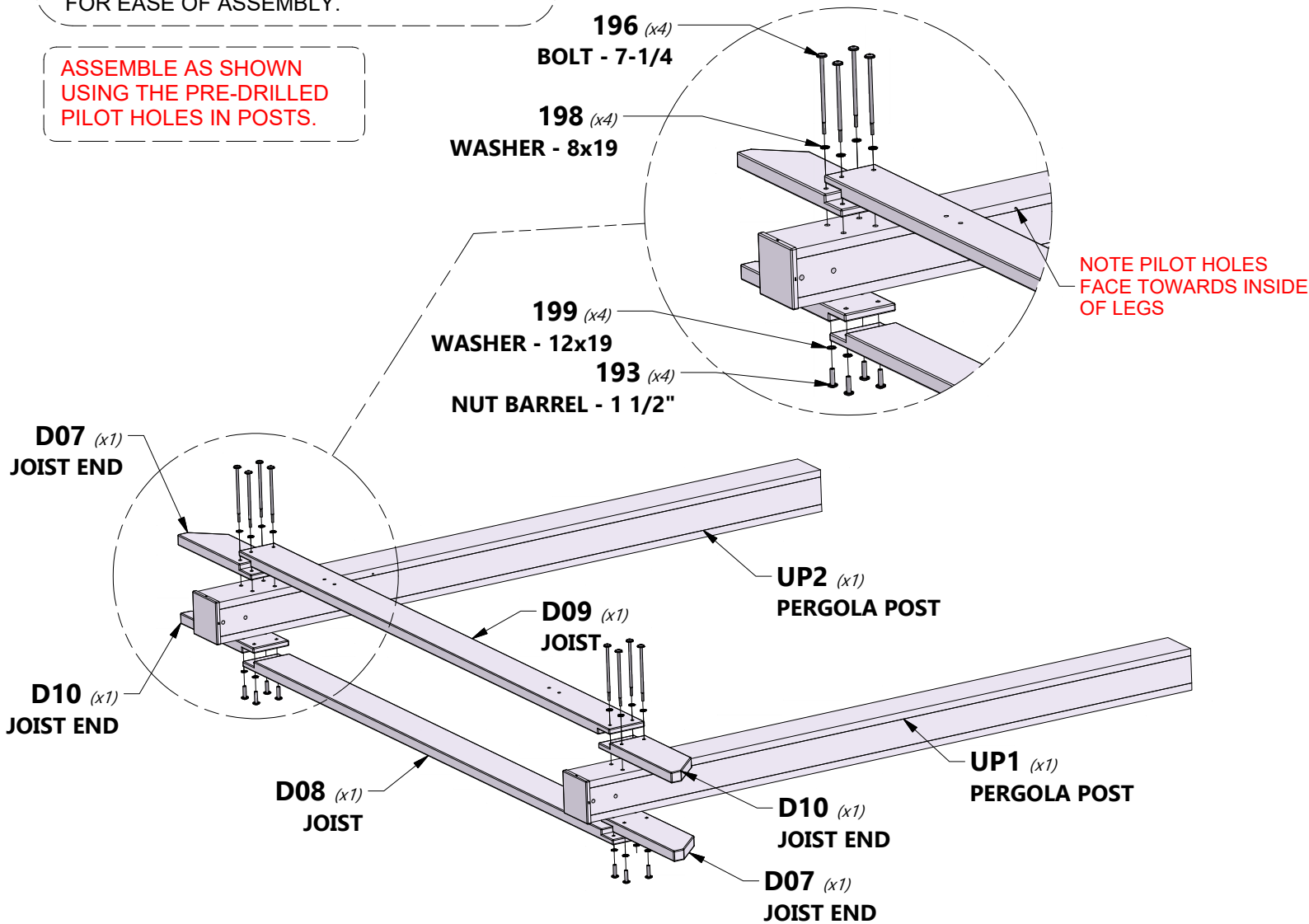
H100193 | NUT BARREL WH BLK
 (x8) | 5/16x1-1/2

H100198 | WASHER LOCK EXT BLK
 (x8) | 8x19

H100199 | WASHER LOCK EXT BLK
 (x8) | 12x19

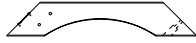
LAY PARTS ON GROUND OR SAW HORSES FOR EASE OF ASSEMBLY.

ASSEMBLE AS SHOWN USING THE PRE-DRILLED PILOT HOLES IN POSTS.

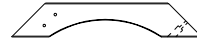




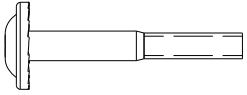
STEP 3



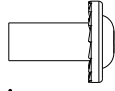
D14 | SHORT ANGLE BRACE W/TAG-W2A03455
(x1) | 1 3/8"x5 1/4"x29 3/4" (36x134x755)



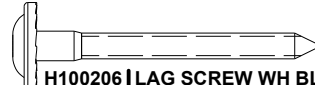
D12 | SHORT ANGLE BRACE - W4L12981
(x3) | 1 3/8"x5 1/4"x29 3/4" (36x134x755)



H100205 | BOLT WH BLK
(x8) | 5/16x2-1/4



H100192 | NUT BARREL WH BLK
(x8) | 5/16x7/8



H100206 | LAG SCREW WH BLK
(x4) | 5/16x3



H100199 | WASHER LOCK EXT BLK
(x8) | 12x19

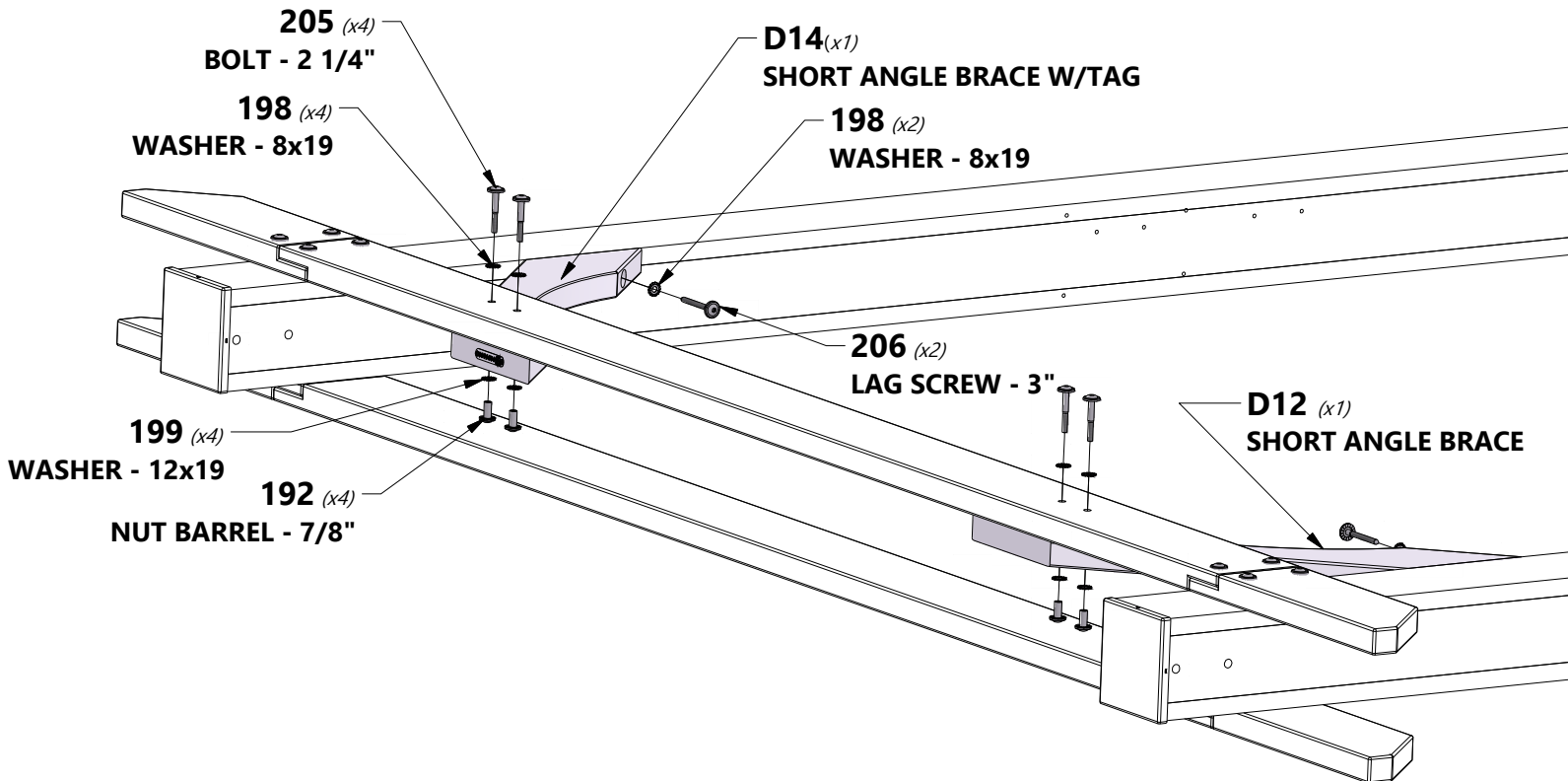


H100198 | WASHER LOCK EXT BLK
(x12) | 8x19

1. REPEAT THIS STEP TWICE FOR OTHER SIDE.

2. ASSEMBLE AS SHOWN USING THE PRE-DRILLED PILOT HOLES IN POSTS.

D14 IS USED JUST ONCE.
OTHER UPRIGHT ASSEMBLY
WILL USE (2) D12'S.

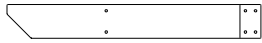




STEP 4



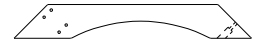
D02 | JOIST - W4L12983
(x2) | 1 3/8"x5 1/4"x95 1/4" (36x134x2420)



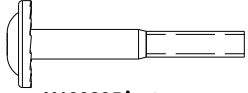
D03 | JOIST END - W4L12994
(x2) | 1 3/8"x5 1/4"x39 3/4" (36x134x1008)



D05 | JOIST END - W4L12982
(x2) | 1 3/8"x5 1/4"x39 3/4" (36x134x1008)



D11 | LONG ANGLE BRACE - W4L12980
(x4) | 1 3/8"x5 1/4"x37 1/8" (36x134x942)



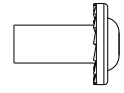
H100205 | BOLT WH BLK
(x16) | 5/16x2-1/4



H100198 | WASHER LOCK EXT BLK
(x16) | 8x19

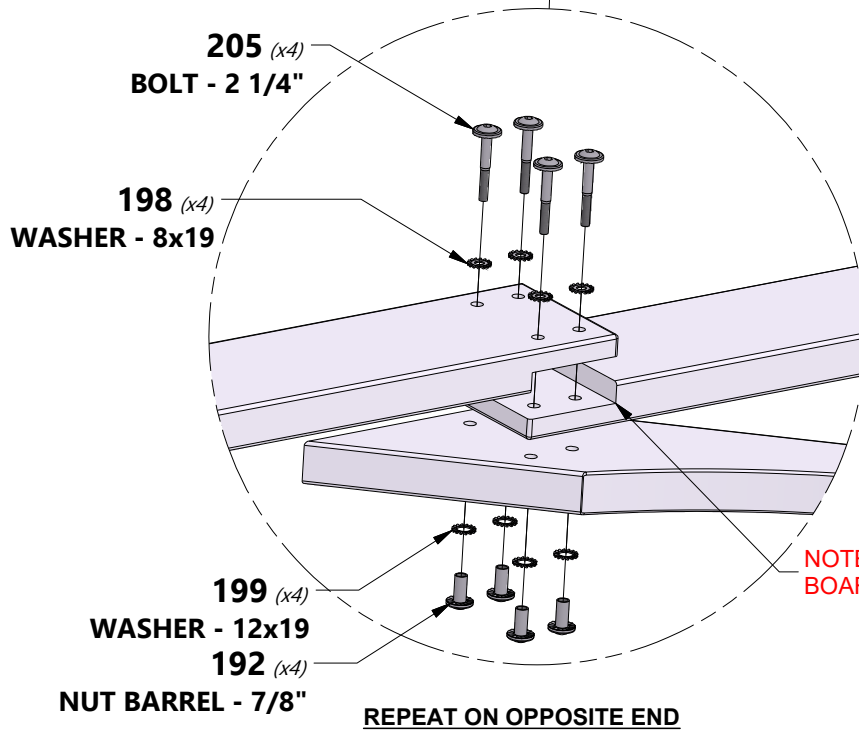
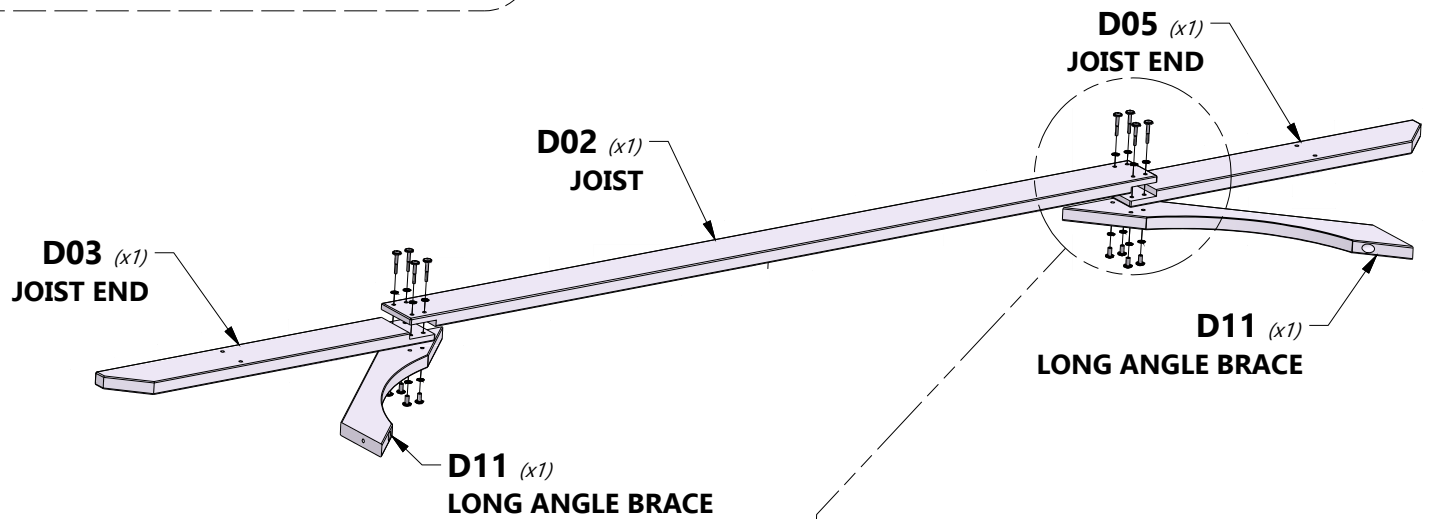


H100199 | WASHER LOCK EXT BLK
(x16) | 12x19



H100192 | NUT BARREL WH BLK
(x16) | 5/16x7/8

REPEAT STEP TO COMPLETE TWO INNER JOIST ASSEMBLIES.





STEP 5



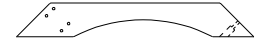
D01 | JOIST - W4L12974
(x2) | 1 3/8"x5 1/4"x95 1/4" (36x134x2420)



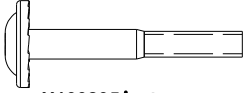
D04 | JOIST END - W4L12973
(x2) | 1 3/8"x5 1/4"x39 3/4" (36x134x1008)



D06 | JOIST END - W4L12993
(x2) | 1 3/8"x5 1/4"x39 3/4" (36x134x1008)



D11 | LONG ANGLE BRACE - W4L12980
(x4) | 1 3/8"x5 1/4"x37 1/8" (36x134x942)



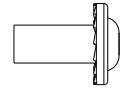
H100205 | BOLT WH BLK
(x16) | 5/16x2-1/4



H100198 | WASHER LOCK EXT BLK
(x16) | 8x19

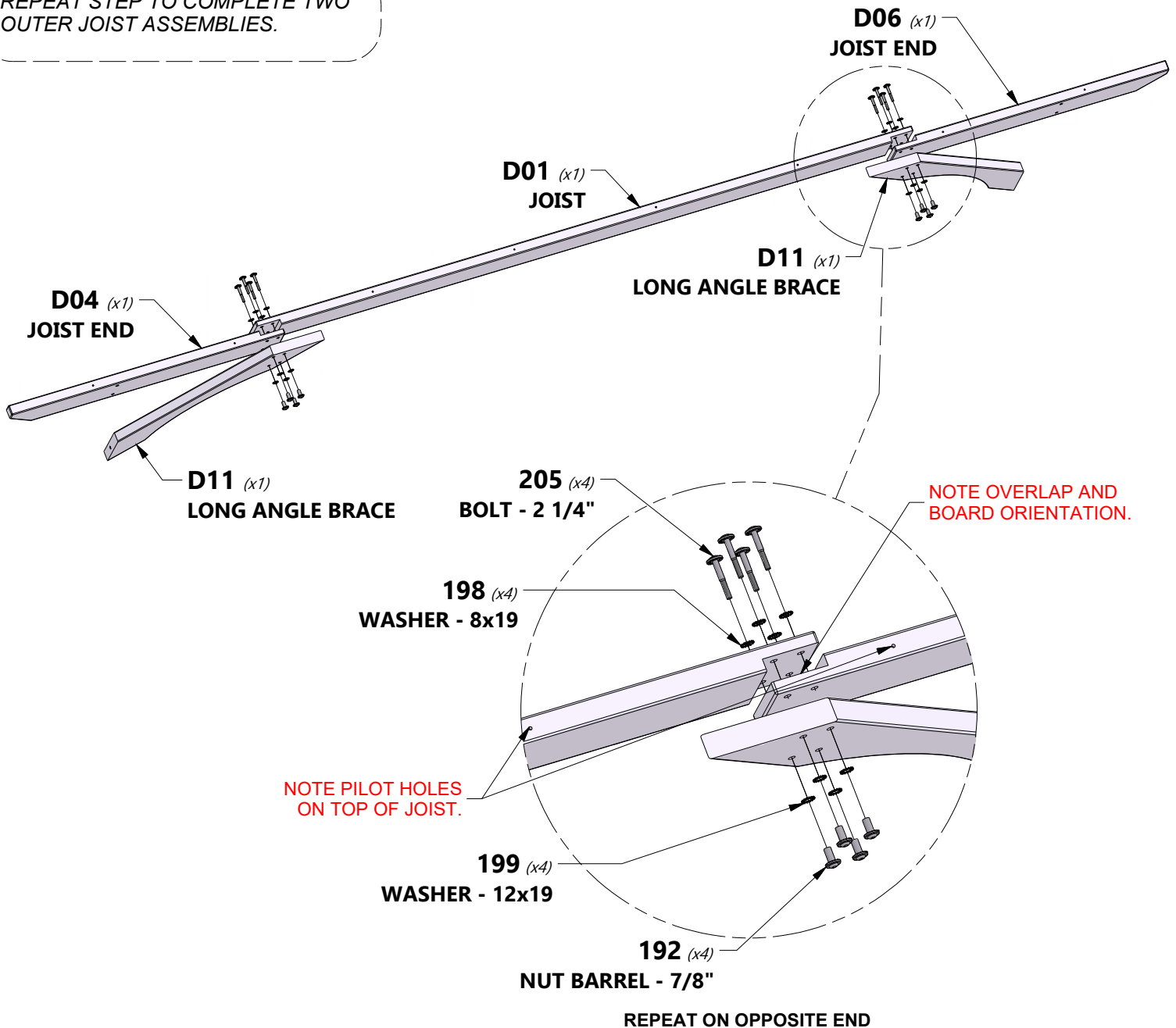


H100199 | WASHER LOCK EXT BLK
(x16) | 12x19



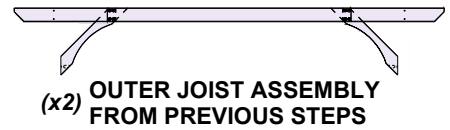
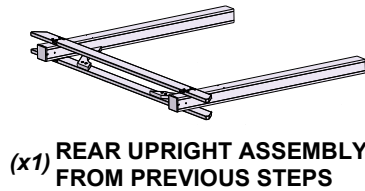
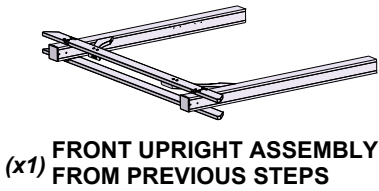
H100192 | NUT BARREL WH BLK
(x16) | 5/16x7/8

REPEAT STEP TO COMPLETE TWO OUTER JOIST ASSEMBLIES.

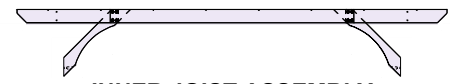




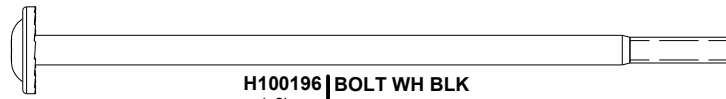
STEP 6



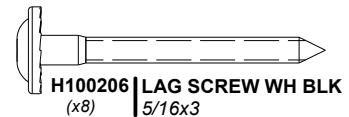
(x2) OUTER JOIST ASSEMBLY FROM PREVIOUS STEPS



(x2) INNER JOIST ASSEMBLY FROM PREVIOUS STEPS



H100196 | BOLT WH BLK (x8) 5/16x7-1/4



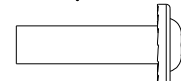
H100206 | LAG SCREW WH BLK (x8) 5/16x3



H100198 | WASHER LOCK EXT BLK (x16) 8x19

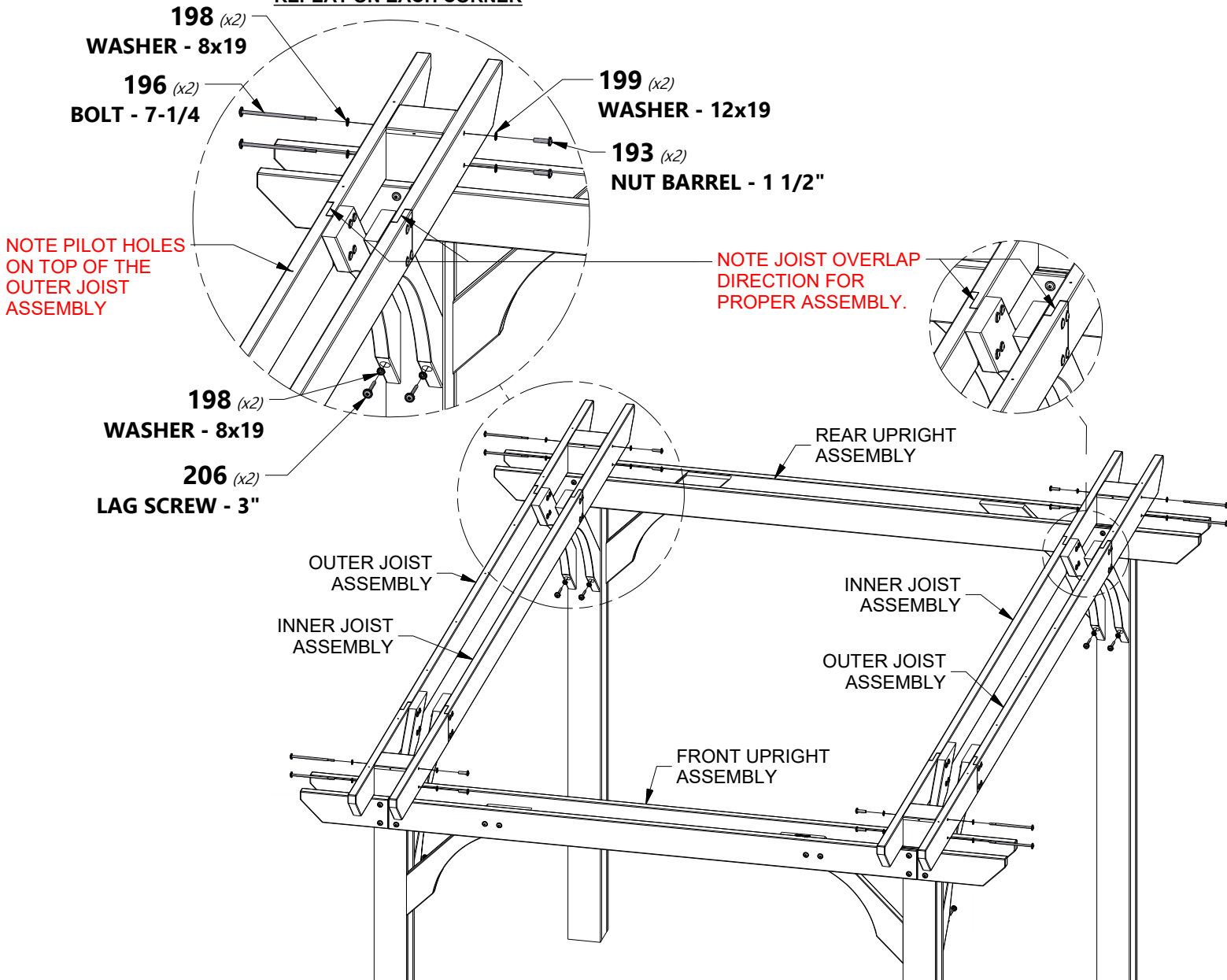


H100199 | WASHER LOCK EXT BLK (x8) 12x19



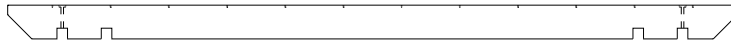
H100193 | NUT BARREL WH BLK (x8) 5/16x1-1/2

REPEAT ON EACH CORNER

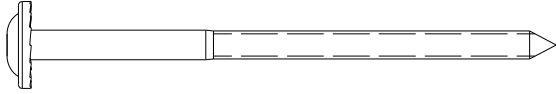




STEP 7



D13 | SLOTTED JOIST - W4L12976
(x8) | 1 3/8"x5 1/4"x114" (36x134x2896)



H100204 | LAG SCREW WH BLK
(x16) | 5/16x5 1/2



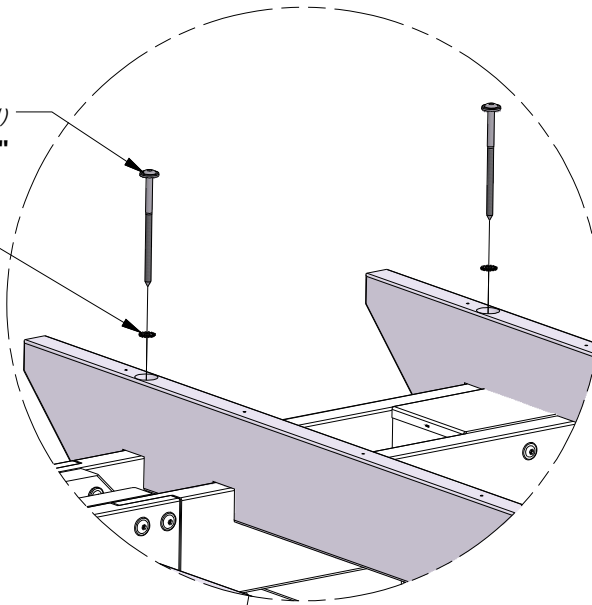
H100198 | WASHER LOCK EXT BLK
(x16) | 8x19

LOCATE AND USE PILOT HOLES IN THE OUTER JOISTS TO MOUNT D13 BOARDS AS SHOWN.

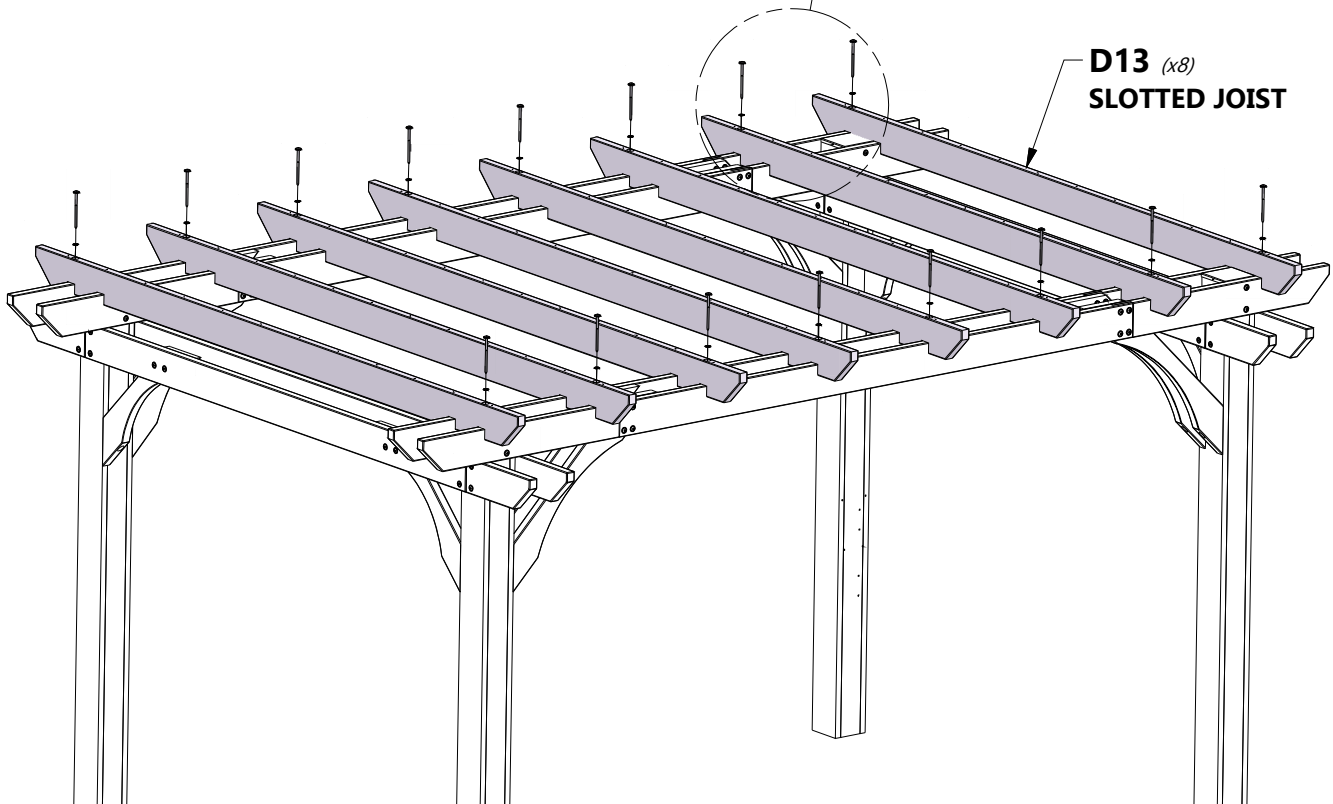
REPEAT ON OPPOSITE END AND ON ALL JOISTS

204 (x1)
LAG SCREW - 5 1/2"

198 (x1)
WASHER - 8x19



D13 (x8)
SLOTTED JOIST



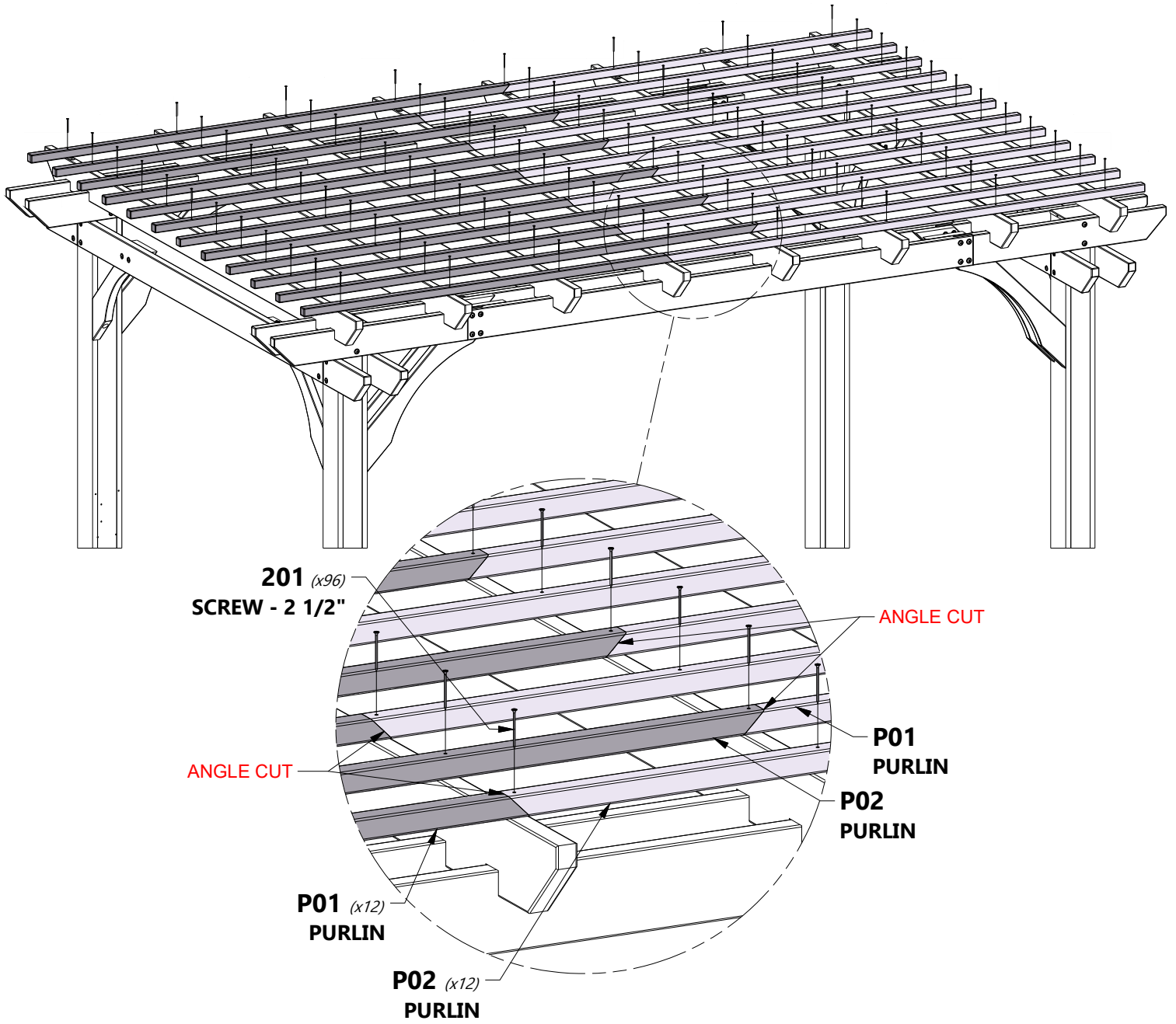


STEP 8

P01 | PURLIN - W4L12978
(x12) | 1 3/8"x1 3/8"x69 5/8" (36x36x1768)

P02 | PURLIN - W4L12979
(x12) | 1 3/8"x1 3/8"x90 1/4" (36x36x2291)

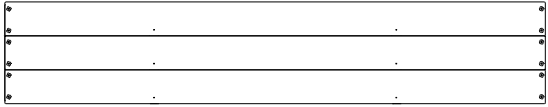
H100201 | SCREW PFH BLK
(x96) | 8x2-1/2



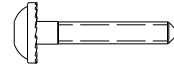
ASSEMBLE P01 & P02 BOARDS BY ALTERNATING THEM AS YOU WORK ACROSS THE JOIST BOARDS. AS SHOWN THE ANGLE CUT IN THE P01 & P02 BOARDS SHOULD ALTERNATE WHICH JOIST THEY LAND ON WHEN ASSEMBLED.



STEP 9

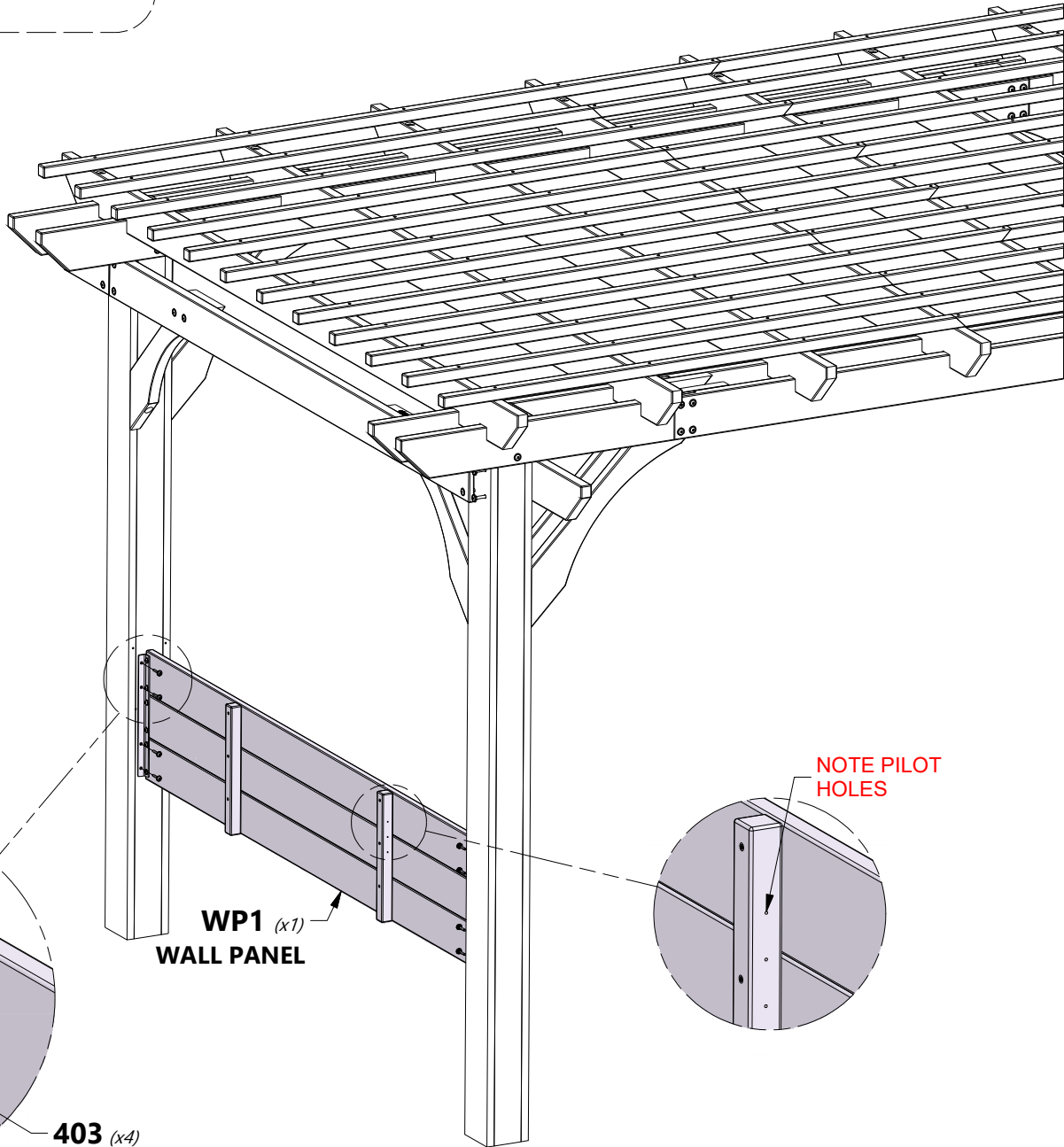


WP1 | **WALL PANEL - W2A02953**
(x1) | 2 3/8"x15 7/8"x84 1/2" (60x403x2146)



H100403 | **LAG SCREW WH BLK**
(x8) | 1/4"x1 1/2"

USE A HELPER TO MOUNT WP1 PANEL USING THE PRE-DRILLED HOLES IN EACH POST AS SHOWN.



WP1 (x1)
WALL PANEL

NOTE PILOT HOLES

403 (x4)
LAG SCREW - 1 1/2"

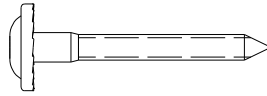
REPEAT ON OPPOSITE END



STEP 10



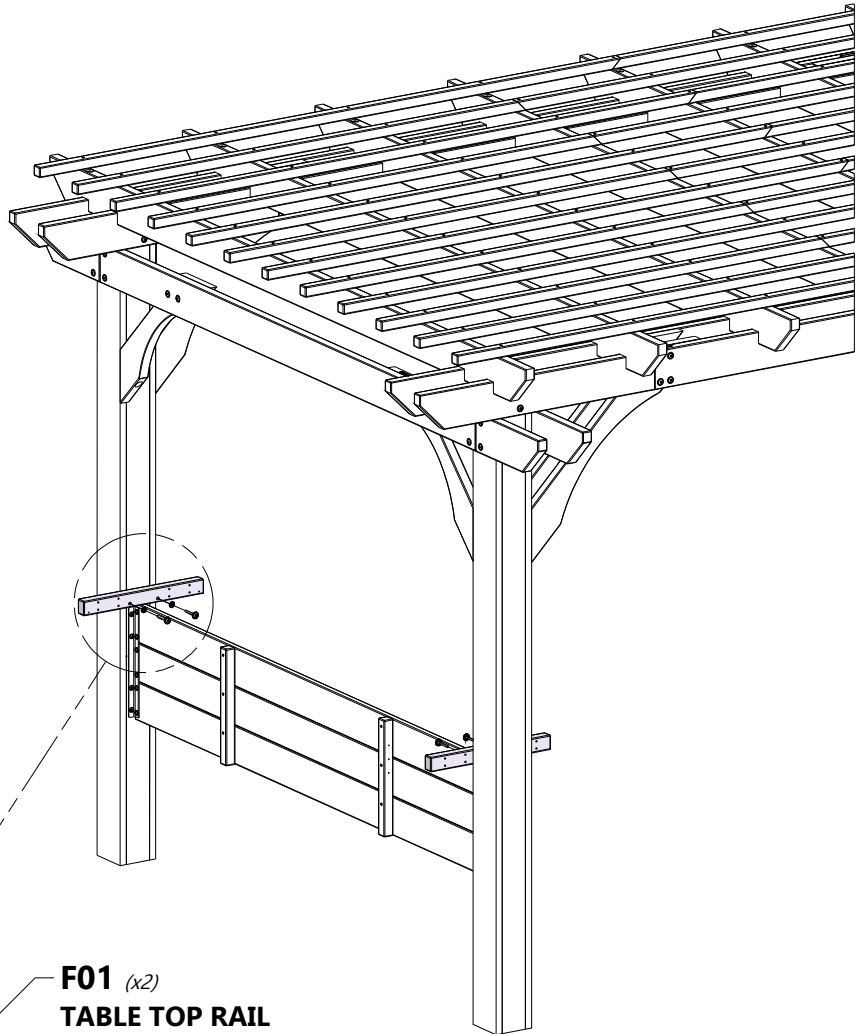
F01 | TABLE TOP RAIL - W4L12989
(x2) | 1 3/8"x2"x18 5/8" (36x50x473)



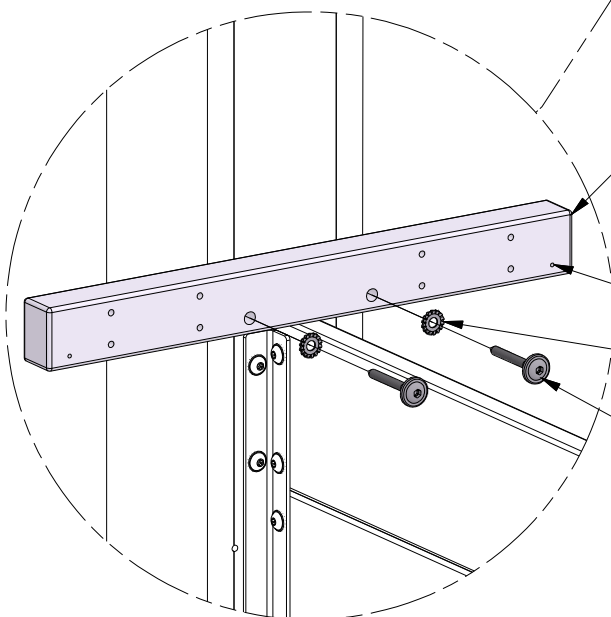
H100197 | LAG SCREW WH BLK
(x4) | 5/16x2 1/2



H100198 | WASHER LOCK EXT BLK
(x4) | 8x19



REPEAT THIS ON BOTH SIDES AS SHOWN.



F01 (x2)
TABLE TOP RAIL

NOTE PILOT HOLE

198 (x2)
WASHER - 8x19

197 (x2)
LAG SCREW - 2 1/2"



STEP 11

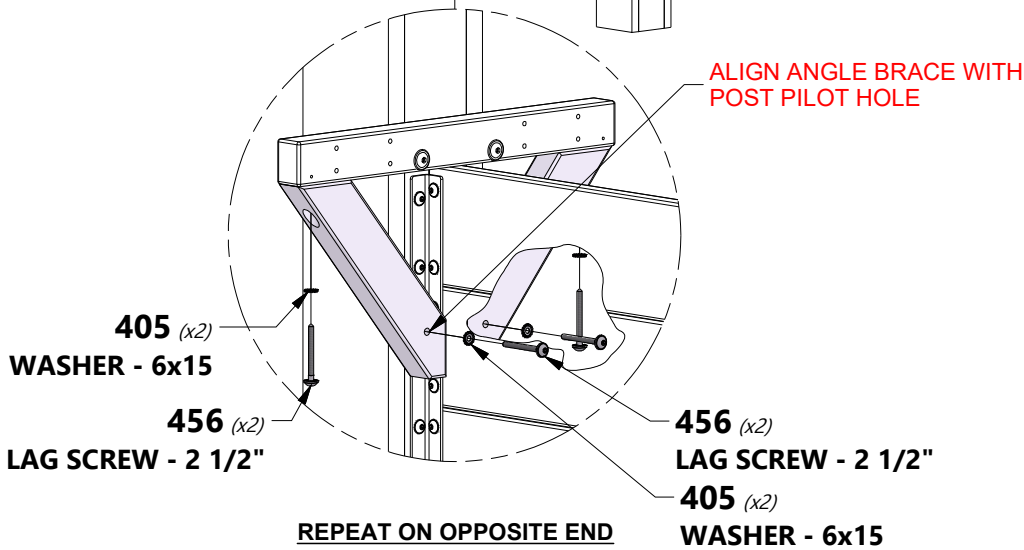
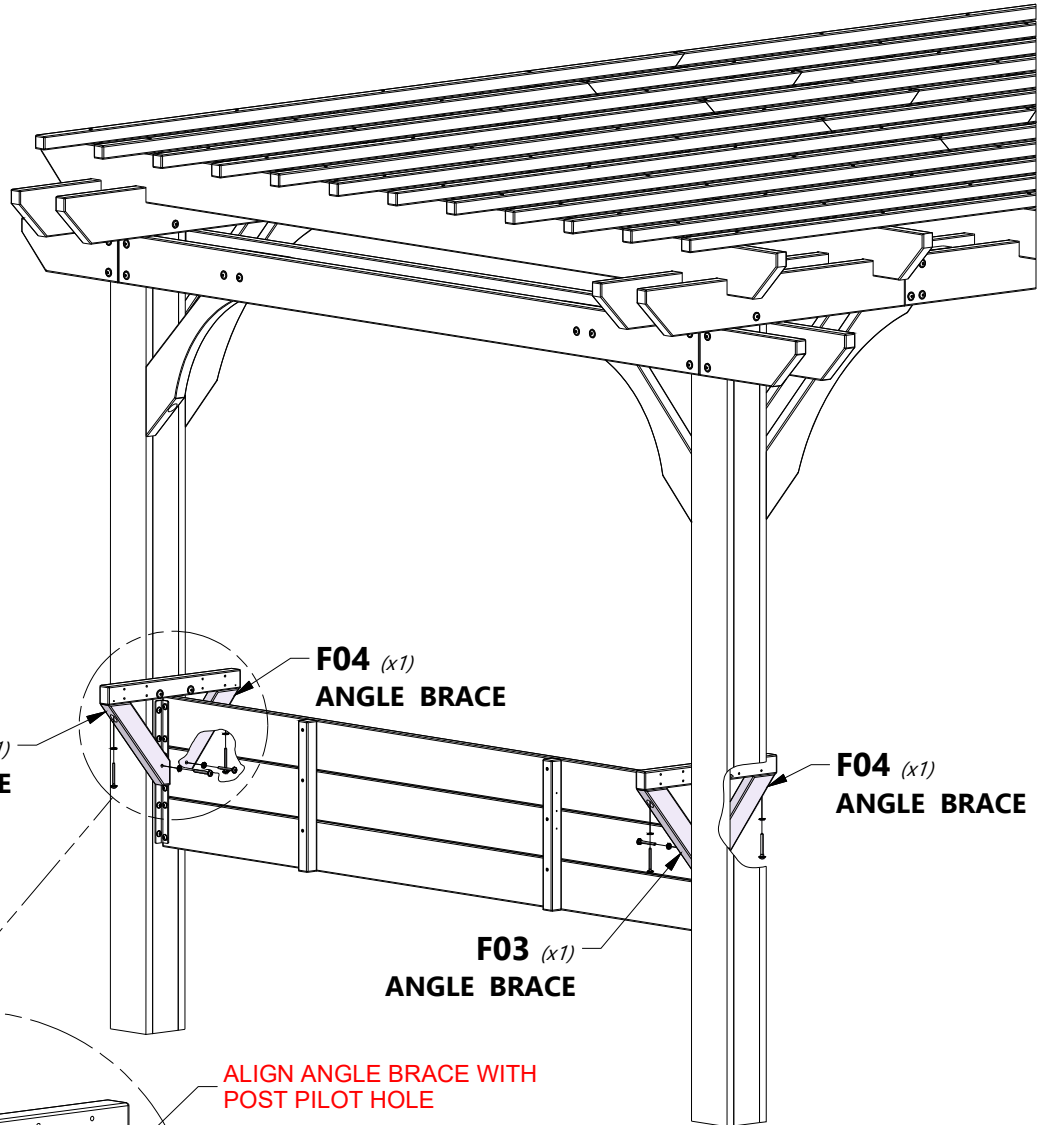
F02 | ANGLE BRACE - W4L12988
 (X1) | 1 3/8"x2 3/8"x12 5/8" (36x60x320)

F03 | ANGLE BRACE - W4L12991
 (X1) | 1 3/8"x2 3/8"x12 5/8" (36x60x320)

F04 | ANGLE BRACE - W4L12992
 (X2) | 1 3/8"x2 3/8"x12 5/8" (36x60x320)

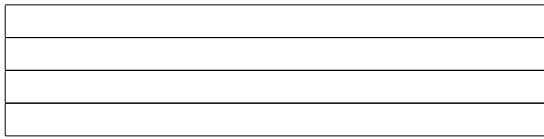
H100456 | LAG SCREW WH BLK
 (x8) | 1/4x2 1/2

H100405 | WASHER LOCK EXT BLK
 (x8) | 6x15

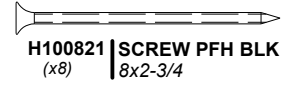




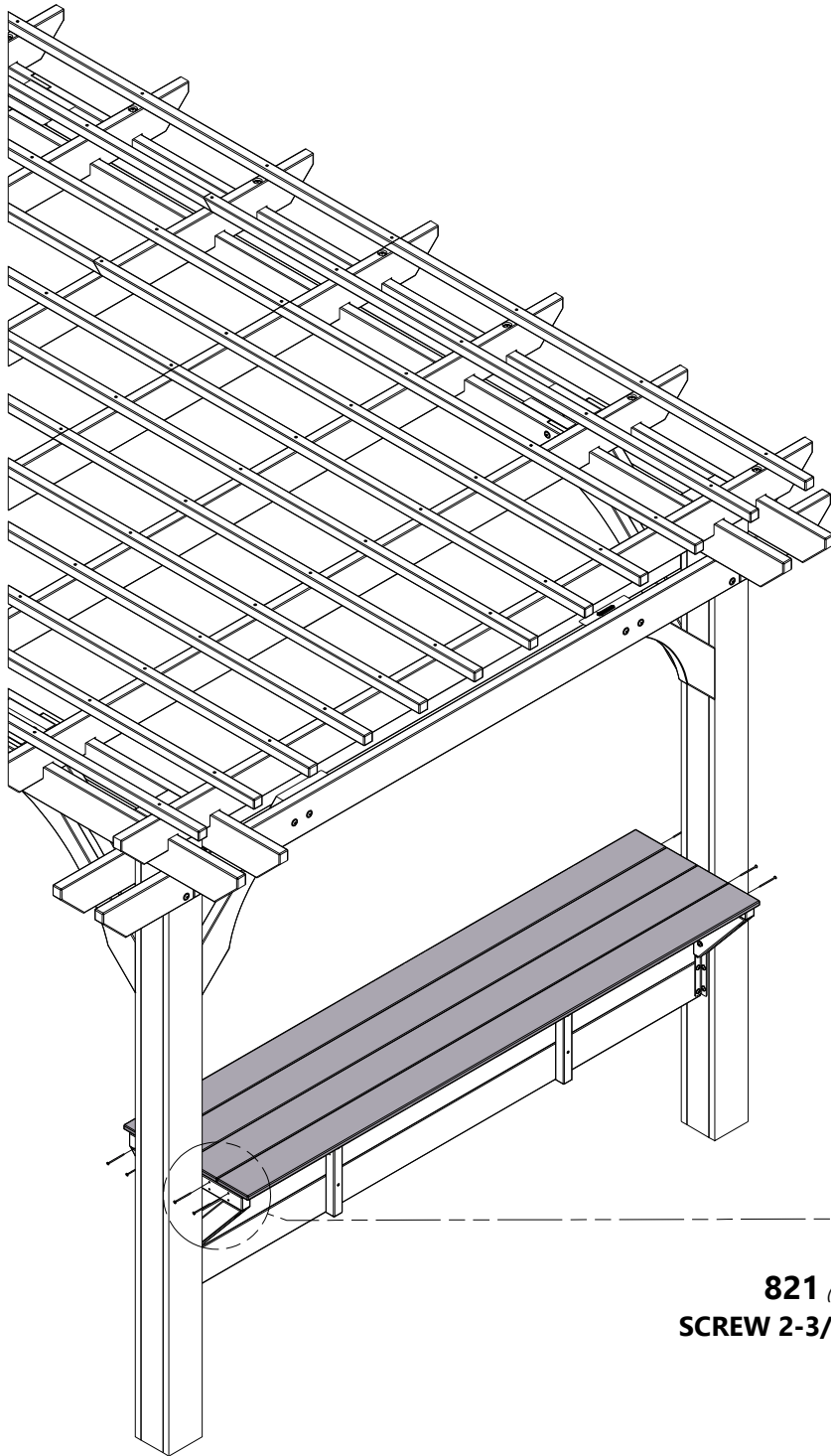
STEP 12



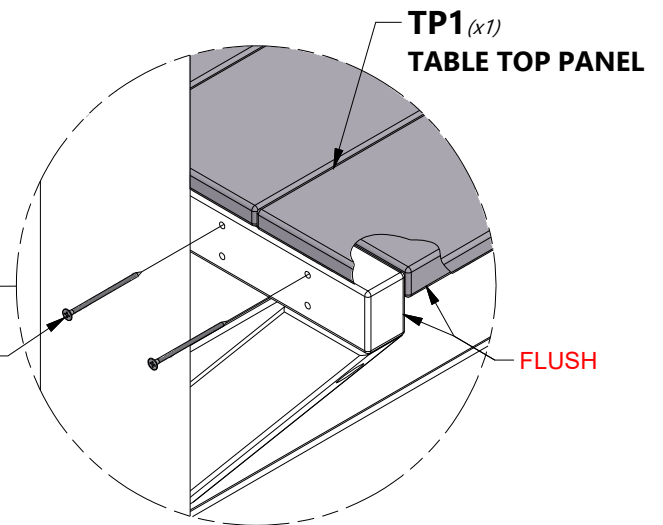
TP1 | **TABLE TOP PANEL - W2A02954**
(x1) | 1 9/16"x20 1/2"x84 7/16" (40x521x2145)



CENTER TABLE PANEL AND
MOUNT AS SHOWN.



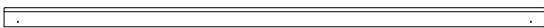
821 (x2)
SCREW 2-3/4"



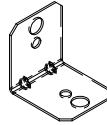
REPEAT ON EACH CORNER



STEP 13



W01 | TABLE TOP RAIL - W4L12984
(x2) | 2"x3"x84 1/2" (50x76x2146)



A4M01110 | 90° L-BRACKET - BLK
(x4)

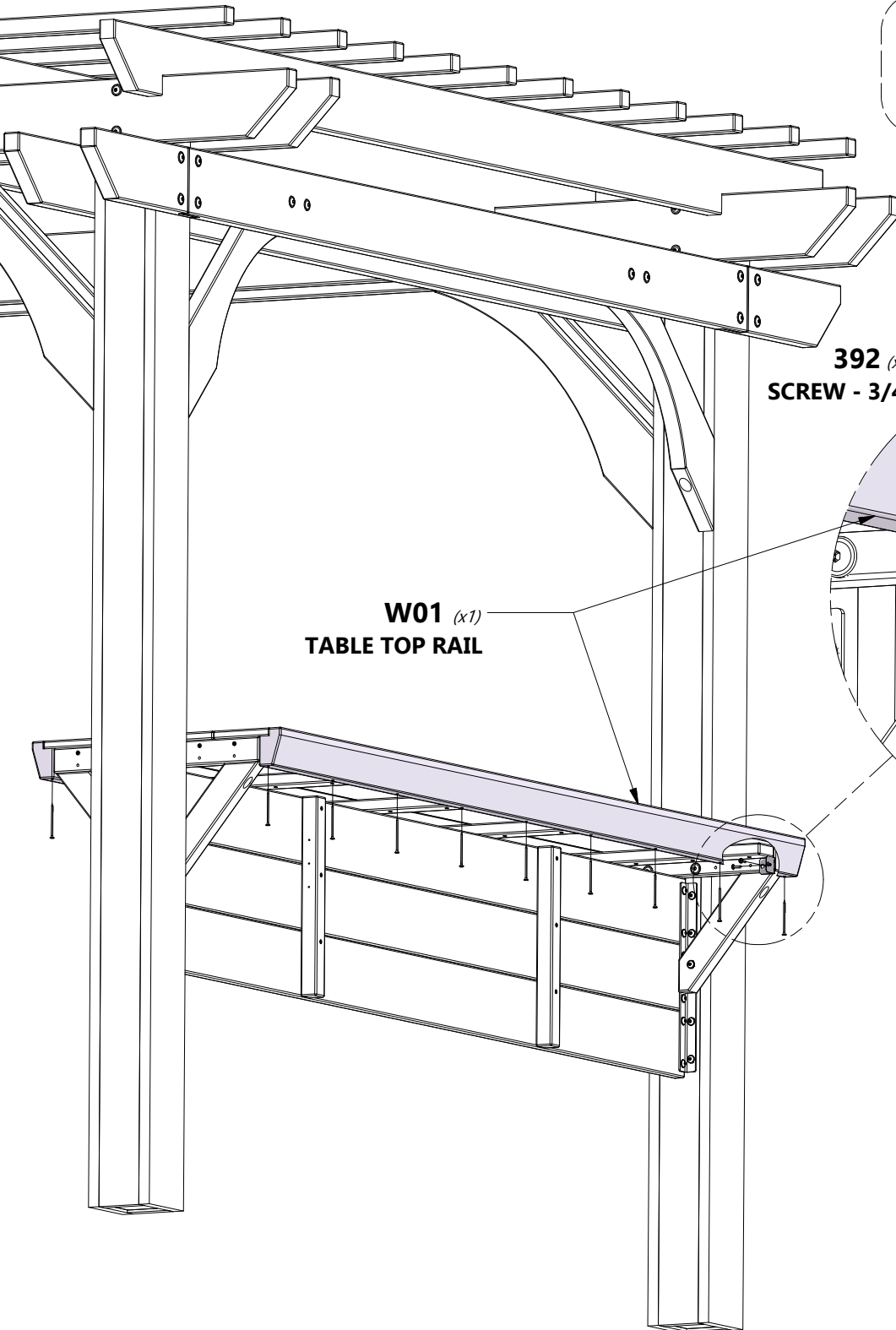


H100821 | SCREW PFH BLK
(x18) | 8x2-3/4



H100392 | SCREW PWH BLK
(x8) | 8x3/4

TIP:
FOR EASE OF ASSEMBLY ATTACH
W01 USING THE 3/4" SCREWS PRIOR
TO ATTACHING THE BRACKETS.



W01 (x1)
TABLE TOP RAIL

392 (x2)
SCREW - 3/4"

110 (x1)
90° L-BRACKET - BLK

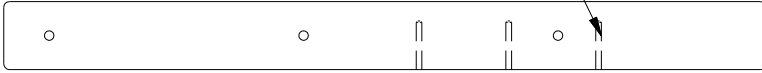
821 (x9)
SCREW 2-3/4"

REPEAT ON EACH CORNER



STEP 14

NOTE PILOT HOLES FOR PROPER ORIENTATION



P03 CLEAT - W4L12997
(x2) 1 3/8"x1 3/8"x15 7/8" (36x36x403)



H100362 SCREW PFH BLK
(x6) 8x3

ATTACH CLEAT AS SHOWN. PAY ATTENTION TO THE PILOT HOLE LOCATIONS ON THE CLEAT. FAILURE TO DO THIS WILL RESULT IN MISALIGNMENT FOR THE ANGLE BRACES.

NOTE HOLE ORIENTATION IS CRITICAL.

FLUSH

NOTE PILOT HOLES

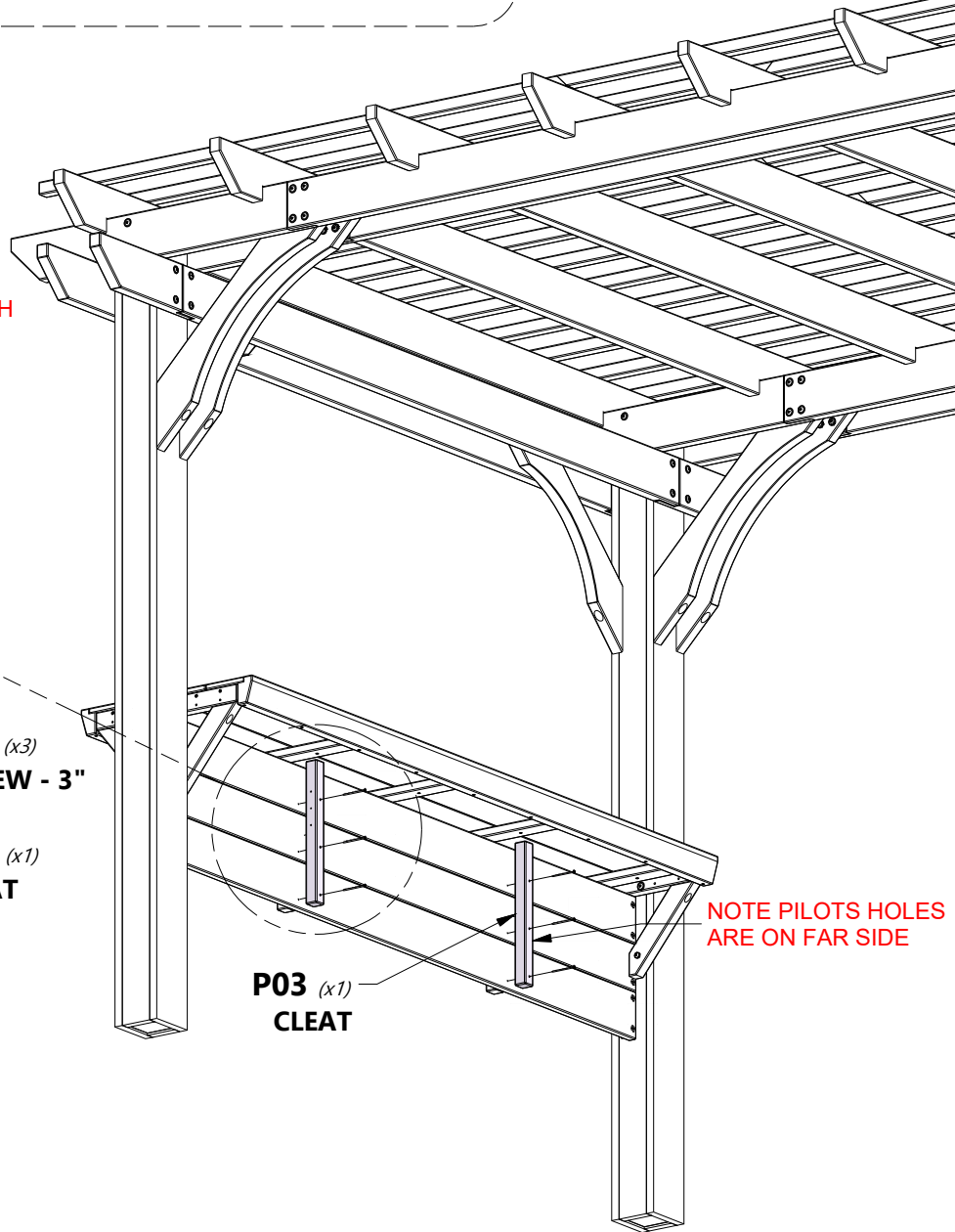
REPEAT ON OPPOSITE END

362 (x3)
SCREW - 3"

P03 (x1)
CLEAT

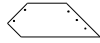
P03 (x1)
CLEAT

NOTE PILOTS HOLES ARE ON FAR SIDE





STEP 15



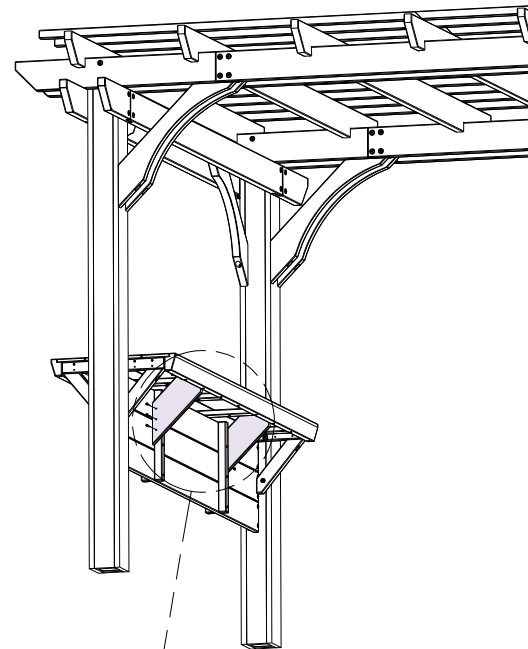
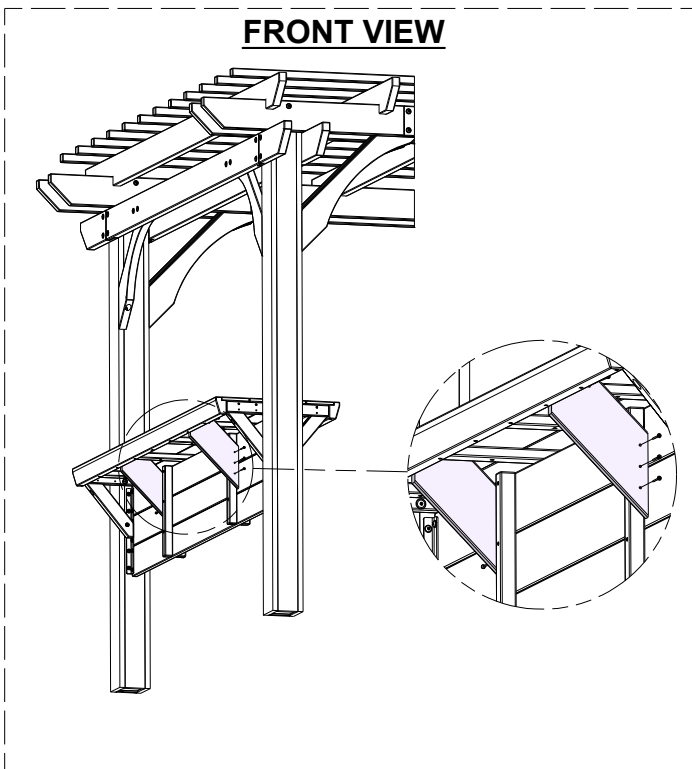
G02 | ANGLE BRACE - W4L12995
(x4) | 1"x5 1/4"x16 5/8" (24x134x369)



H100391 | SCREW PFH BLK
(x20) | 8x2

COMPLETE THESE STEPS FOR BOTH SIDES OF THE BAR.

FRONT VIEW



391 (x10)
SCREW - 2"

G02 (x2)
ANGLE BRACE



STEP 16

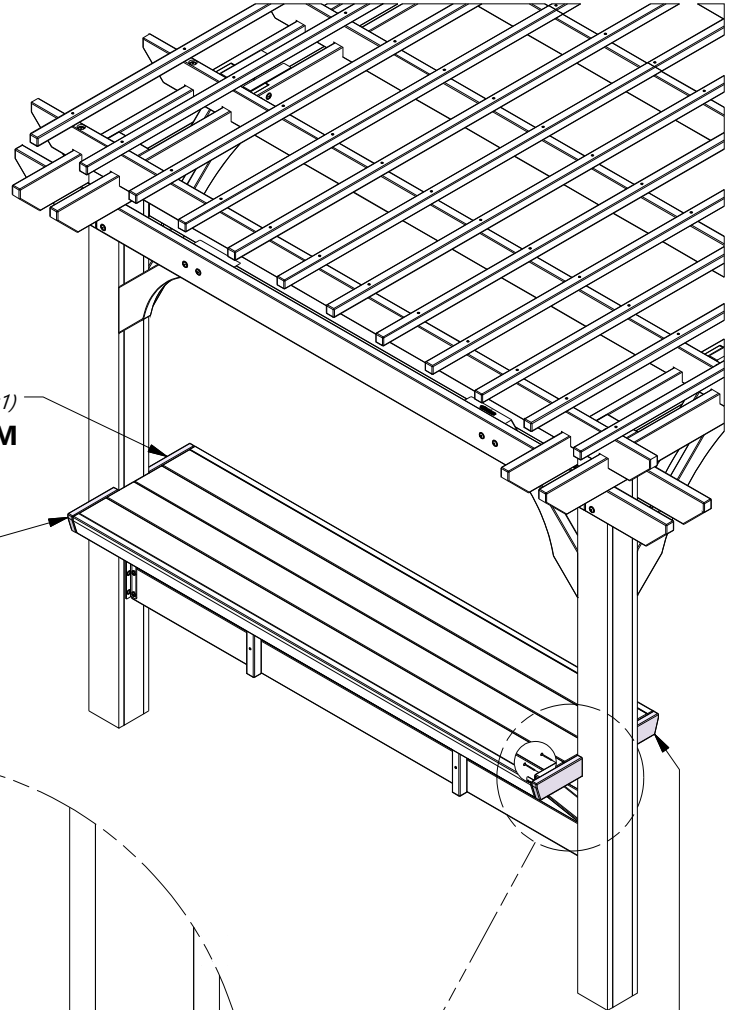


H01 | TABLE TOP TRIM - W4L12985
(x4) | 1"x3"x8 1/2" (24x76x216)



H100391 | SCREW PFH BLK
(x8) | 8x2

REPEAT STEP ON ALL 4 CORNERS
OF THE BAR.



H01 (x1)
TABLE TOP TRIM

H01 (x1)
TABLE TOP TRIM

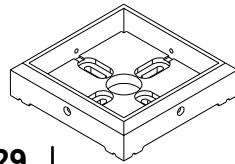
391 (x2)
SCREW - 2"

H01 (x1)
TABLE TOP TRIM

H01 (x1)
TABLE TOP TRIM



STEP 17

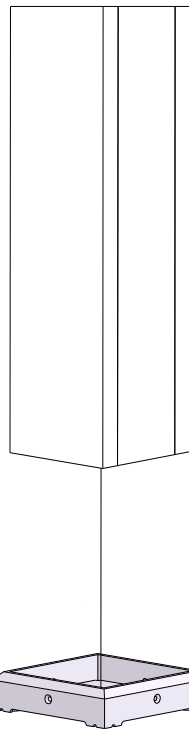


A100029
(x4)

FOOT 142 SQUARE POST

DECIDE WHERE TO PLACE THE PERGOLA. NOTE THIS MOUNTING PROCEDURE IS MEANT TO BE USED ON CONCRETE ONLY.

PLACE THE PERGOLA EXACTLY WHERE IT WILL BE ANCHORED WHEN COMPLETED AND SLIDE A FOOT UNDER EACH POST.



029 (x1)
FOOT 142 SQUARE POST

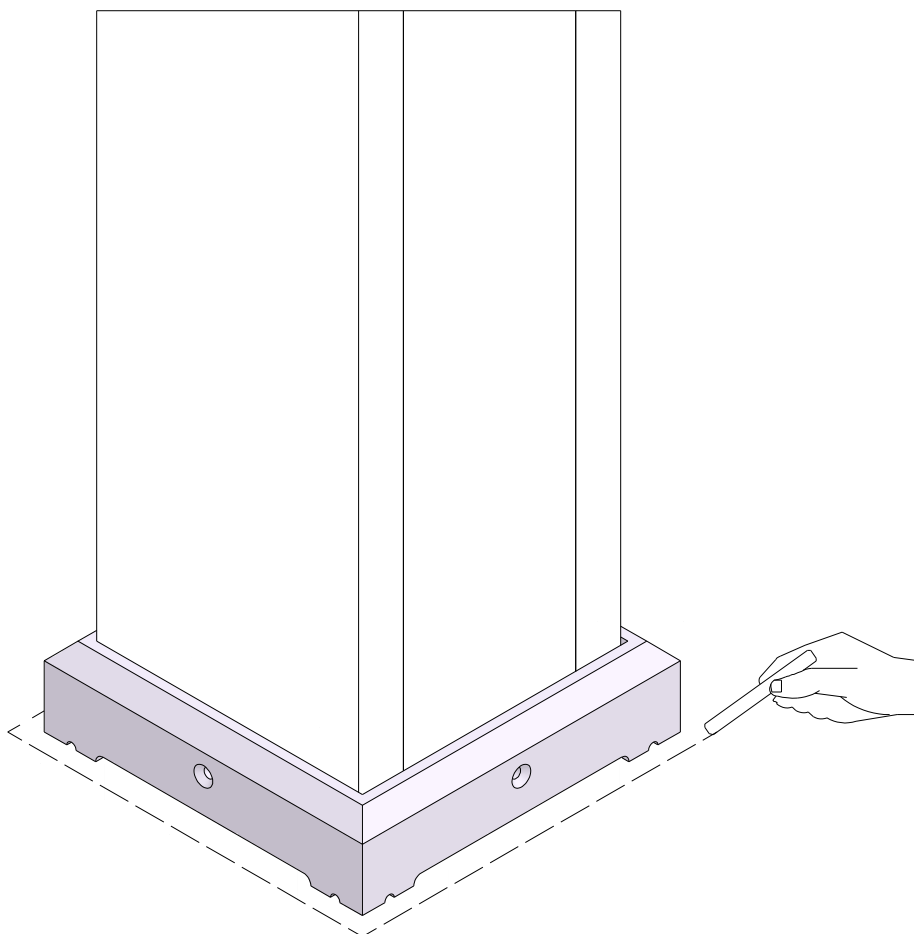
REPEAT ON ALL POSTS

SQUARE POSTS AND
TIGHTEN ALL BOLTS AND
SCREWS AT THIS TIME.



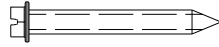
STEP 18

USE CHALK TO TRACE AROUND THE EDGES OF EACH FOOT TO MARK THE FEET LOCATIONS.





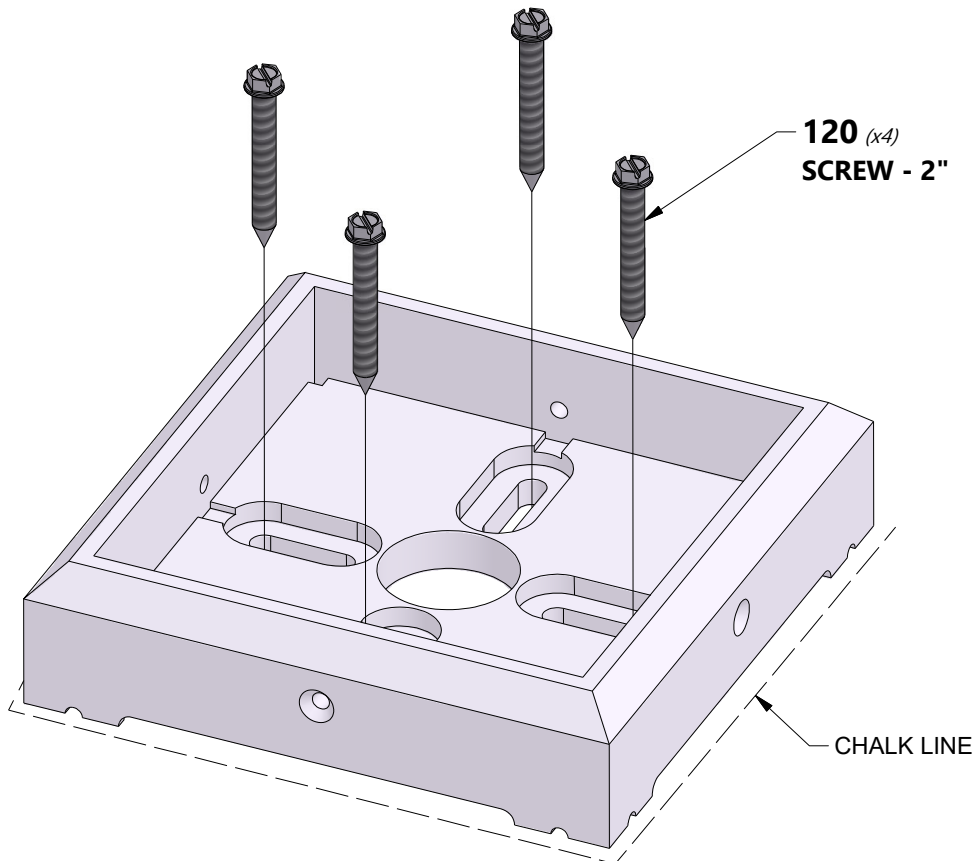
STEP 19



H100120 | SCREW CONCRETE ANCHOR
(x16) | 1/4x2

MOVE THE PERGOLA ASIDE AND PLACE EACH FOOT INSIDE THE LINES DRAWN IN THE PREVIOUS STEP. NOW, USE A 3/16" CONCRETE DRILL BIT TO DRILL PILOT HOLES INTO THE CONCRETE PAD.

NEXT, USE THE PROVIDED CONCRETE ANCHORS TO ATTACH EACH FOOT TO THE CONCRETE SURFACE.



REPEAT ON ALL FEET

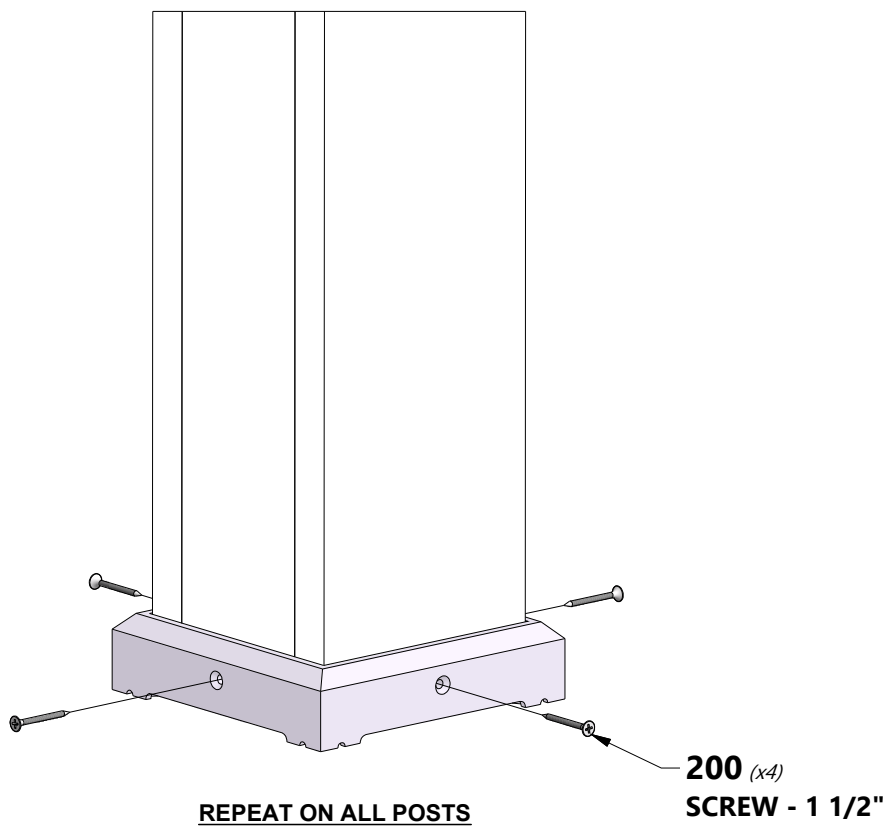


STEP 20



H100200 | SCREW PFH BLK
(x16) | 8x1 1/2

MOVE THE PERGOLA BACK INTO PLACE,
SETTING EACH POST INSIDE A FOOT AND
MOUNT AS SHOWN USING THE PROVIDED
HARDWARE.





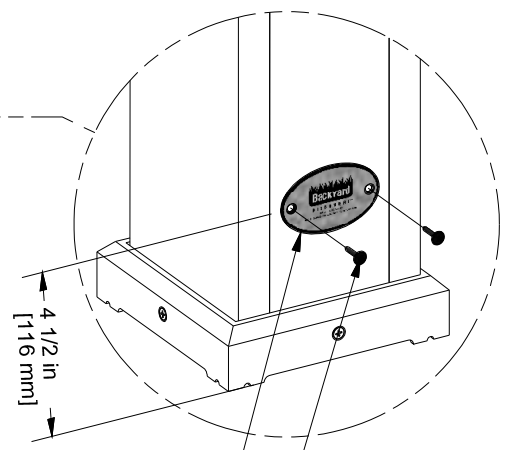
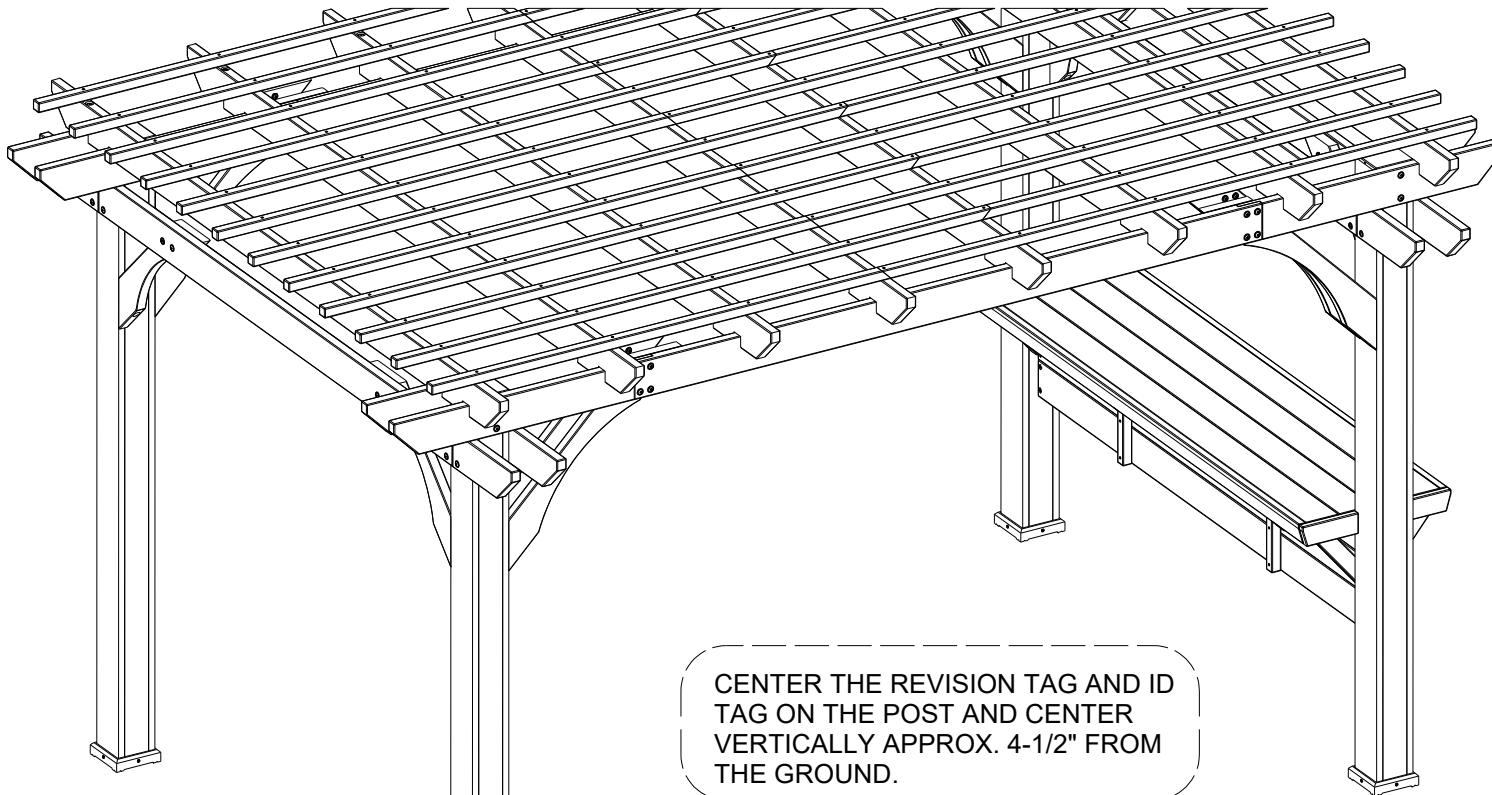
STEP 21



A100241 | BYD ID TAG (SMALL) WITHOUT AGES
(x1)

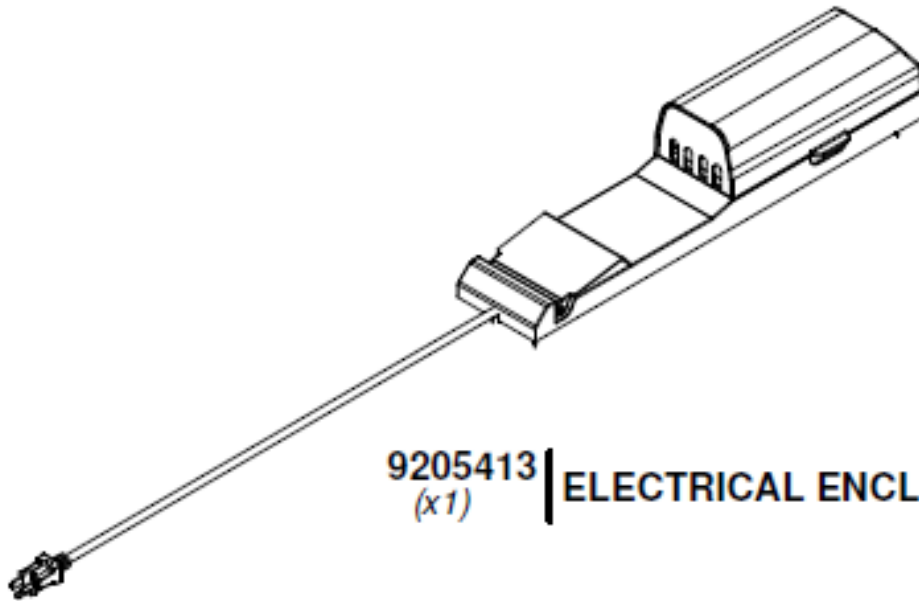


H100392 | SCREW PWH BLK
(x2) | 8x3/4



241 *(x1)*
BYD ID TAG (SMALL) WITHOUT AGES

392 *(x2)*
SCREW - 3/4"



9205413
(x1) | **ELECTRICAL ENCLOSURE**

- FOR ELECTRICAL ENCLOSURE ATTACHMENT, REFER TO THE INSTRUCTIONS INCLUDED WITH THE ELECTRICAL ENCLOSURE KIT.
- ELECTRIC ENCLOSURE CAN BE ATTACHED TO ANY POST.
- FOLLOW INSTRUCTIONS FOR PROPER ATTACHMENT.