



FARMHOUSE PORCH SWING

MANUFACTURED BY:
Backyard Discovery
3305 Airport Drive
Pittsburg, KS 66762
800-856-4445

Model # 2006614 | Owner's Manual & Assembly Instructions




GOCONFIGURE
Putting it all together for you

INSTALLATION SERVICES AVAILABLE!*

Need a helping hand?
Let our team of professionals handle the installation for you!

GOCONFIGURE
888-888-5424

*Installation services are only available to U.S. customers.

average 2 person assembly time



assembly time may vary based on skill level

Before you begin >>>

FOR QUICK & EASY ASSEMBLY
FIND 3D INSTRUCTIONS FOR THIS PRODUCT IN

BILT.

DOWNLOAD THE FREE APP

 GET IT ON Google Play

 Download on the App Store

For the most up to date assembly manual, to register your set, or to order replacement parts please visit www.backyarddiscovery.com

SAVE THIS ASSEMBLY MANUAL FOR FUTURE REFERENCE IN THE EVENT THAT YOU NEED TO ORDER REPLACEMENT PARTS.

Para obtener instrucciones en español, visite www.backyarddiscovery.com



GOCONFIGURE
Putting it all together for you

INSTALLATION SERVICES AVAILABLE!*

Need a helping hand?

Let our team of professionals handle the installation for you!

GOCONFIGURE
888-888-5424

**Installation services are only available
to U.S. customers.*

With Go Configure, we bring you 18 years of experience right to your doorstep. We service a wide array of indoor and outdoor recreation products that most consumers don't have the time or ability to deliver & install themselves.

We do the heavy lifting, so you don't have to!

-
- 18+ Years of Experience Servicing Big Box Retailers and Direct Consumers
 - Highly Skilled, Specialized, Courteous, Professional Service Technicians
 - Over 140,000 Installations Annually
 - White Glove Service

- Satisfaction Guarantee
- Flexible Appointments, including weekends
- Coverage across the nation

Visit www.goconfigure.com for more info!

**Installation services are only available to U.S. customers.*



The store where you made your purchase does not stock parts for this item. If you have assembly questions or you are missing or have damaged parts, please call

1-800-856-4445

you can also visit www.backyarddiscovery.com
or e-mail customerservice@backyarddiscovery.com

Please have the following information ready when you make your call:

- Model Number of the product located on the front of the assembly manual
 - The item description and number from the parts list from the manual that was included in your box
-
- Read entire assembly manual, paying special attention to the important tips and safety information.
 - To ensure there are no missing pieces do a complete inventory by first separating and identifying all parts.
 - Make sure to check packing material for small parts that may have fallen out during shipment.
 - Structures are not intended for public use. The Company does not warranty any of its residential structures subjected to commercial use.
 - This manual contains helpful information concerning assembly preparation, installation procedure and required maintenance.
 - Always keep safety in mind as your structure is being built.
 - Keep these instructions for future reference.



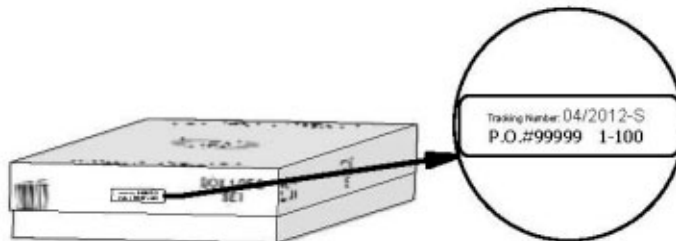
Please read entire booklet completely before beginning the assembly process

Please retain these instructions and your receipt for future reference. Keep them in a safe place where you can refer to them as needed. In order to provide you with the most efficient service, it is required that you provide us with the part numbers when ordering parts.

For Your Records:

Please take time and fill out the information below. This information will be needed for warranty issues.

Where Purchased: _____
 Date of Purchase: _____
 Installation Date: _____
 Installed by: _____
 Tracking Number: _____



Tracking Number Reference Label

Tracking ID number on the carton and on the bottom of the vertical ID plate are included for tracking purposes associated with warranty claims.

This Limited Warranty by Backyard Discovery applies to products manufactured under the Backyard Discovery brand or its other brands including but not limited to Backyard Botanical, Adventure Playsets, and Leisure Time Products.

Backyard Discovery warrants that this product is free from defect in materials and workmanship for a period of one (1) year from the original date of purchase. This one (1) year warranty covers all parts including wood, hardware, and accessories. All wood carries a five (5) year pro-rated warranty against rot and decay. Refer to the schedule below for charges associated with replacement of parts under this Limited Warranty. In addition, Backyard Discovery will replace any parts within the first 30 days from date of purchase found to be missing from or damaged in the original packaging.

This warranty applies to the original owner and registrant and is non-transferable. Regular maintenance is required to assure maximum life and performance of this product. Failure by the owner to maintain the product according to the maintenance requirements may void this warranty. Maintenance guidelines are provided in the Owner's Manual.

This Limited Warranty does not cover:

- Labor for any inspection
- Labor for replacement of any defective item(s)
- Incidental or consequential damages
- Cosmetic defects which do not affect performance or integrity of a part or the entire product
- Vandalism, improper use, failure due to loading or use beyond the capacities stated in the applicable Assembly Manual.
- Acts of nature including but not limited to wind, storms, hail, floods, excessive water exposure
- Improper installation including but not limited to installation on uneven, unlevel, or soft ground
- Minor twisting, warping, checking, or any other natural occurring properties of wood that do not affect performance or integrity

Backyard Discovery products have been designed for safety and quality. Any modifications made to the original product could damage the structural integrity of the unit leading to failure and possible injury. Modification voids any and all warranties and Backyard Discovery assumes no liability for any modified products or consequences resulting from failure of a modified product.

This product is warranted for RESIDENTIAL USE ONLY. Under no circumstance should a Backyard Discovery product be used in public settings. Such use may lead to product failure and potential injury. Any and all public use will void this warranty. Backyard Discovery disclaims all other representations and warranties of any kind, express or implied.

Pro Rated Part Replacement Schedule

| <u>Product Age</u> | <u>Customer Pays</u> |
|---------------------------------|-----------------------------|
| All Parts | |
| 0-30 days from date of purchase | \$0 and free shipping |
| 31 days to 1 year | \$0 + S&H |
| Wood Rot and Decay Only | |
| 1 year | \$0 and free shipping |
| 2 year | 20% + S&H |
| 3 year | 40% + S&H |
| 4 year | 60% + S&H |
| 5 year | 80% + S&H |
| Over 5 years | 100% + S&H |



WARNING

IT IS IMPORTANT TO CHECK AND TIGHTEN ALL HARDWARE AT THE BEGINNING AND DURING THE SEASON AS THEY MAY LOOSEN DUE TO WOOD EXPANSION AND CONTRACTION.

- **DO NOT climb or walk on the roof for any reason**
- **Requires two or more people to assemble safely**
- **Check for underground utilities before digging or driving stakes into the ground.**
- **Check carefully for overhead lines and ensure there is at least 6ft (2m) clearance from any overhead electrical wires.**
- **Permanent structures may require a building permit. As the purchaser and or installer of this product you are advised to consult local planning, zoning and building inspection departments for guidance on applicable building codes and/or zoning requirements.**
- Wood is NOT flame retardant and will burn. Grills, fire pits and chimineas are a fire hazard if place too close to your structure.
- Wear gloves to avoid injury during installation.
- During installation, follow all safety warnings provided with your tools and use safety glasses.
- Check all nuts and bolts twice monthly during the usage season and tighten as required.(But not so tight that you crack the wood) It is particularly important that this procedure be followed at the beginning of each season.
- Oil all metallic moving parts monthly during the usage period.
- Check all coverings for bolts and sharp edges twice monthly during usage season to be certain they are in place. Replace when necessary. It is especially important to do this at the beginning of each new season.
- For rusted areas on metallic members such as hinges, brackets, etc. sand and repaint, using a non lead-based paint meeting the requirements of Title 16 CRF Part 1303.
- Inspect wood parts monthly. The grain of the wood sometimes will lift in the dry season causing splinters to appear. Light sanding may be necessary to maintain a safe environment. Treating your Product with protection (sealant) after sanding will help prevent severe checking/ splitting and other weather damage.
- We have applied a waterborne translucent stain to your unit. This is done for color only. Once or twice a year, depending on your climate conditions, you must apply some type of protection (sealant) to the wood of your unit. Prior to the application of sealant, lightly sand any "rough" spots on your set. Please note this is a requirement of your warranty.

OWNERS SHALL BE RESPONSIBLE FOR MAINTAINING THE LEGIBILITY OF THE WARNING LABELS



Your Backyard Discovery structure is designed and constructed of quality materials. As with all outdoor products it will weather and wear. To maximize the enjoyment, safety and life of your structure it is important that you properly maintain it.

About Our Wood

Backyard Discovery uses 100% Cedar (C. Lanceolata) wood. Although we take great care in selecting the best quality lumber available, wood is still a product of nature and susceptible to weathering which can change the appearance of your set.

What causes weathering? Does it affect the strength of my product?

One of the main reasons for weathering is the effects of water (moisture); the moisture content of the wood at the surface is different than the interior of the wood. As the climate changes, moisture moves in or out of the wood, causing tension which can result in checking and or warping. You can expect the following due to weathering. These changes will not affect the strength of the product:

1. Checking is surface cracks in the wood along the grain. A post (4" x 4") will experience more checking than a board (1" x 4") because the surface and interior moisture content will vary more widely than in thinner wood.

2. Warping results from any distortion (twisting, cupping) from the original plane of the board and often happens from rapid wetting and drying of the wood.

3. Fading happens as a natural change in the wood color as it is exposed to sun-light and will turn grey over time.

How can I reduce the amount of weathering to wood product?

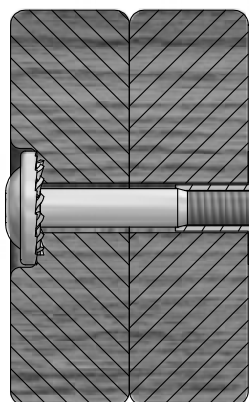
1. Your wood product is coated with a water-based stain. Sunlight will break down the coating, so we recommend applying a water repellent or stain on a yearly basis (see your local stain and paint supplier for a recommended product). You must apply some type of protection (sealant) to the wood of your product. **Please note this is a requirement of your warranty.** Most weathering is just the normal result of nature and will not affect safety. However if you are concerned that a part has experienced a severe weathering problem please call our customer service department for further assistance.

2. Inspect wood parts monthly. The grain of the wood sometimes will lift in the dry season causing splinters to appear. Light sanding may be necessary to maintain a safe environment. Treating your Product with protection (sealant) after sanding will help prevent severe checking/ splitting and other weather damage.



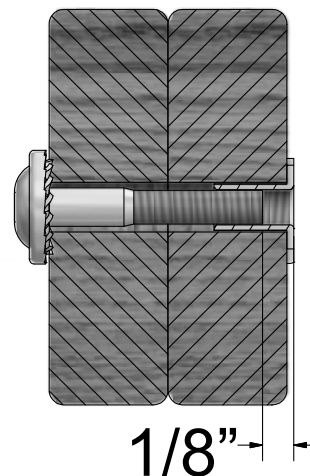
Protrusion Hazard

Incorrect



If you see exposed threads and your bolt protrudes beyond the T-Nut you may have overtightened the bolt or used incorrect hardware. If you've overtightened, remove the bolt and add washers to eliminate the protrusion.

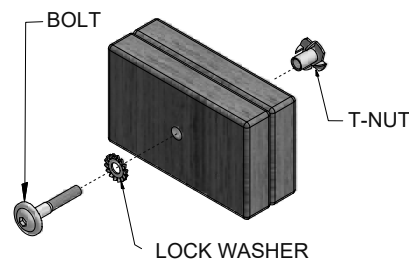
Correct



Proper Hardware Assembly

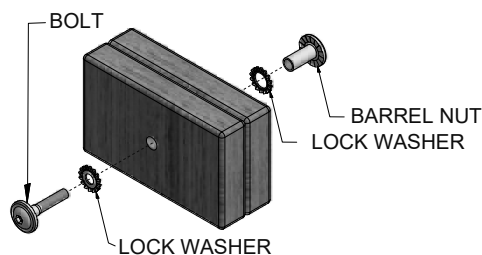
Bolt and T-Nut Assembly

Tap T-nut into the provided hole. Insert your bolt through the lock washer and insert into the provided hole opposite from the T-Nut. Turn clockwise to thread into T-nut. Do not completely tighten until instructed.



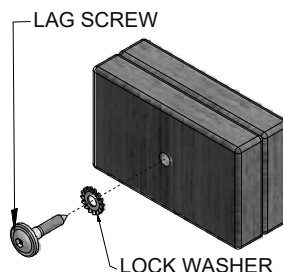
Bolt and Barrel Nut Assembly

Insert barrel nut through the lock washer and press the pair through the provided hole. Insert your bolt through the second lock washer and insert the pair into the provided hole opposite from the barrel nut. Turn clockwise to thread into the barrel nut. Do not completely tighten until instructed.



Lag Assembly

Normally there will be a pre-drilled pilot hole on assemblies that require a Lag Screw. If there is no pilot hole, line up the two boards as they are to be attached and use the factory drilled hole as a guide to drill another pilot hole into the adjoining board. This will keep the wood from splitting. Only a lock washer is required for steps with Lag Screws.

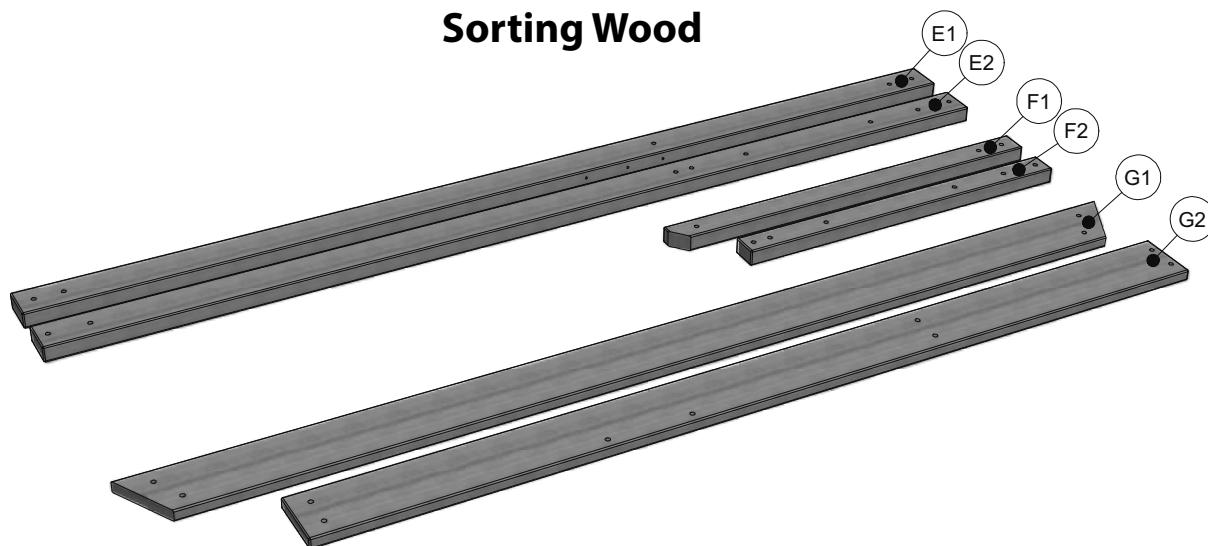




ASSEMBLY TIP:

Keep and eye out for these boxes which will contain helpful pictures and information making the assembly process as quick and painless as possible.

Sorting Wood



When removing the wood from the boxes we recommend arranging them by part number before you begin assembly. This will allow for faster assembly and easily identify any parts that may be missing or damaged.

Sorting Hardware

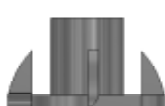
NUT BARREL
H100545



SCREW
H100695



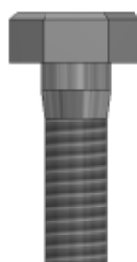
T-NUT
H100699



WASHER FLAT
H100706



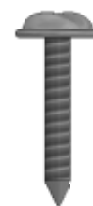
BOLT HEX
H100716



BOLT
H100718



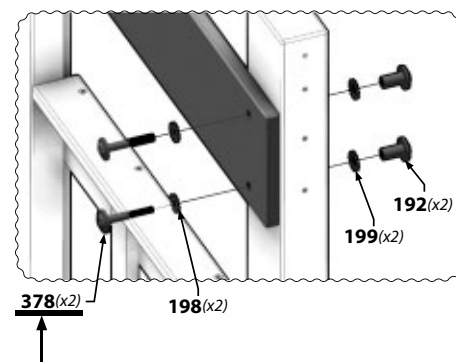
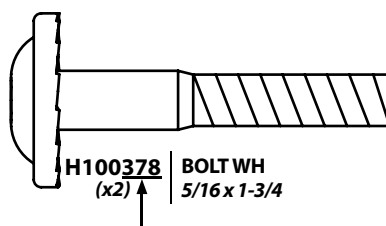
SCREW PWH
H100742

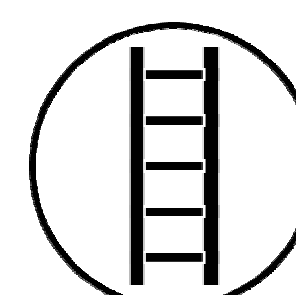
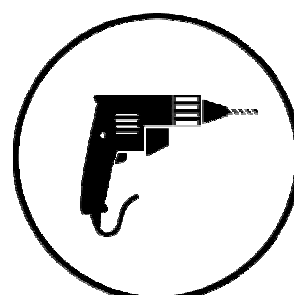
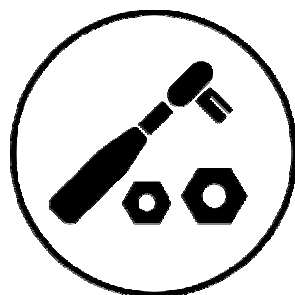
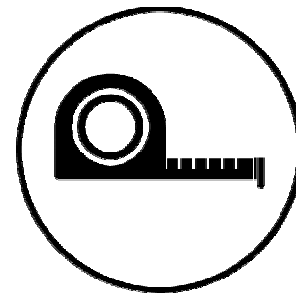
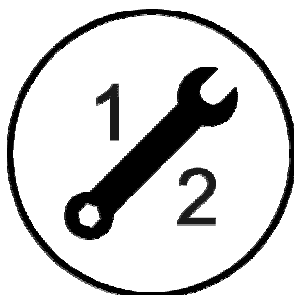
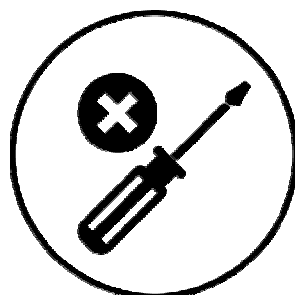
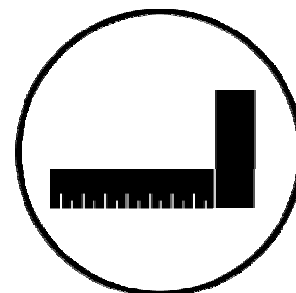
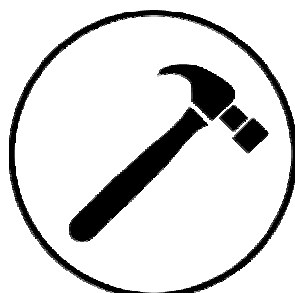
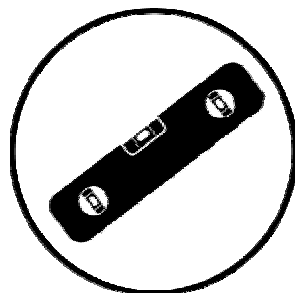
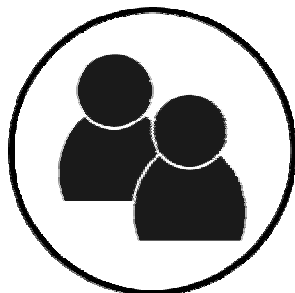


To help with assembly we recommend sorting your hardware bags with the seven digit alpha-numeric number printed on the bags or by hardware type (i.e. bolts, nuts, etc.). Organizing your hardware will make assembly easier.

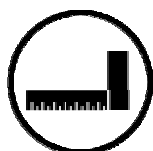
Hardware Identification

Hardware bags are printed with a seven digit alpha-numeric part number. During assembly you only need to reference the last three digits of the part number as noted in each step. This will make finding the correct hardware easier.





Icons and their uses you will see throughout this manual



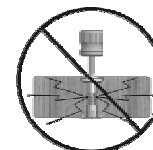
You will need to make sure that your assembly is square before tightening your bolts.



When you see this icon you will need a socket wrench. The icons below show the size of attachments needed for assembly 1/2.



For proper assembly you will need to ensure that your structure is level before proceeding to the next step.



This icon warns you to not over tighten your bolts. This is to prevent structural damage and also splintering your wood.



Some steps in the assembly process will require an extra set of hands. Make sure you have a helper available.



This icon shows the size of an open ended wrench. Using the wrench as the fraction bar.



This icon will show you what drill attachments are needed. For this example you will need a Phillips head attachment and 3/8 socket.

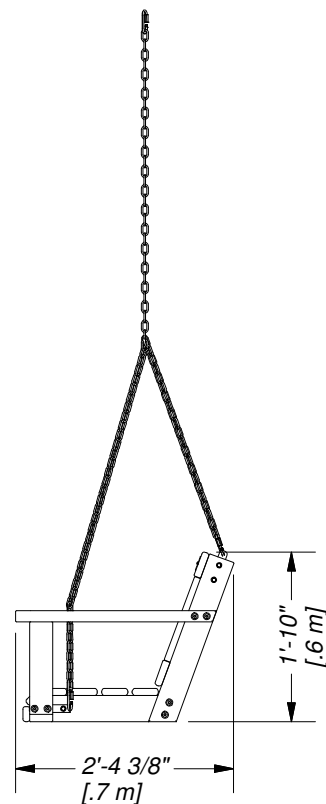
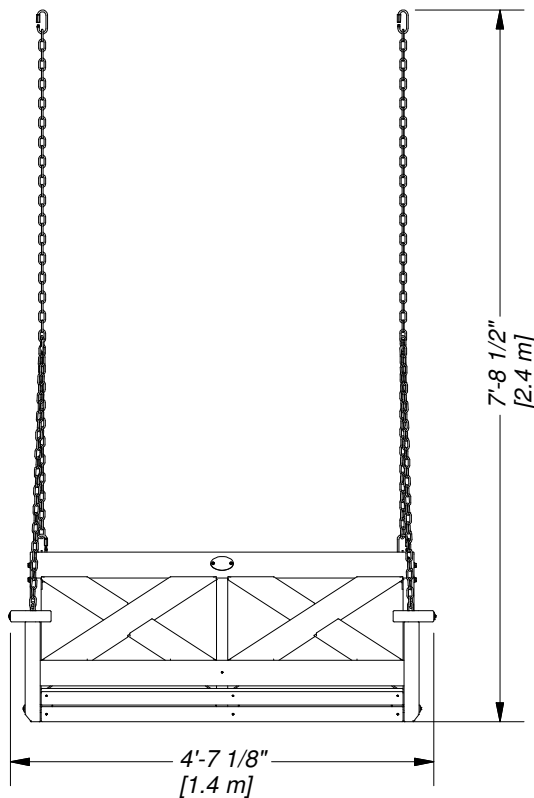




It is critically important that you start with level ground or surface to ensure safety and your product's longevity

Check carefully for overhead lines and ensure there is at least 6ft (2m) clearance from the roof to any overhead lines.

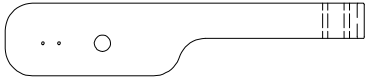
- Pay close attention to the items needed for each step. Make sure you are using the correct hardware for each step. Using incorrect hardware may result in improper assembly.



**NOT TO EXCEED 600 LBS
MINIMUM OF 8" OFF THE GROUND**



Wood Components (Not to Scale)



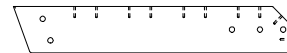
D1 | RIGHT ARM REST - W4L13234
(x1) | 1 3/8"x5 1/4"x26 1/8" (36x134x665)



D2 | LEFT ARM REST - W4L13236
(x1) | 1 3/8"x5 1/4"x26 1/8" (36x134x665)



E1 | BACK REST SUPPORT - W4L13230
(x2) | 1 3/8"x3 3/8"x23 1/4" (36x86x590)



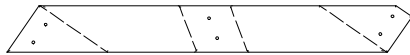
E2 | BENCH SUPPORT - W4L13231
(x2) | 1 3/8"x3 3/8"x20 1/4" (36x86x515)



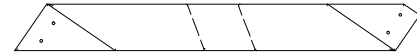
E3 | CENTER BACK REST SUPPORT - W4L13238
(x1) | 1 3/8"x3 3/8"x23 1/4" (36x86x590)



E4 | CENTER BENCH SUPPORT - W4L13237
(x1) | 1 3/8"x3 3/8"x20 1/4" (36x86x515)



E5 | LEFT X-FRAME - W4L13240
(x2) | 1 3/8"x3 3/8"x29 1/2" (36x86x750)



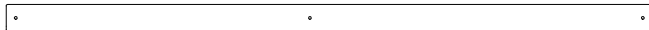
E6 | RIGHT X-FRAME - W4L13239
(x2) | 1 7/16"x3 3/8"x29 9/16" (36x86x750)



H1 | BACK REST BOARD - W4L13241
(x2) | 1"x3 3/8"x50" (24x86x1270)



H2 | BENCH SEAT BOARD - W4L13232
(x4) | 1"x3 3/8"x47 1/8" (24x86x1198)



J1 | FRONT BENCH SEAT BOARD - W4L13235
(x2) | 1"x2"x47 1/8" (24x50x1198)



W1 | ARM REST SUPPORT - W4L13233
(x2) | 3"x2"x13" (76x50x330)



Hardware Components



H100202 | SCREW PWH BLK
(x4) | 8x5/8



H100387 | SCREW PFH BLK
(x22) | 8x1-1/4



H100391 | SCREW PFH BLK
(x40) | 8x2



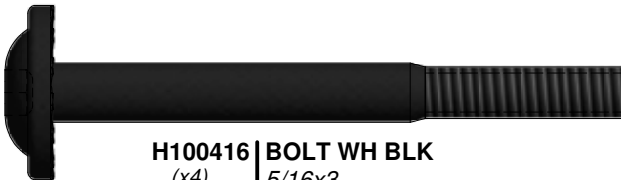
H100201 | SCREW PFH BLK
(x4) | 8x2-1/2



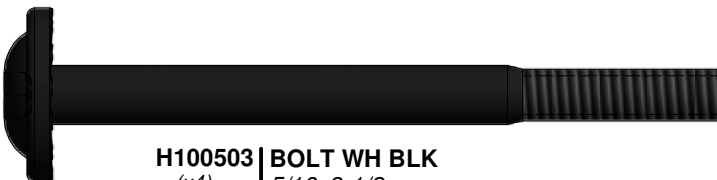
H100761 | BOLT HEX BLK
(x7) | 5/16x2



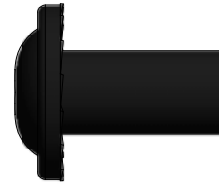
H100205 | BOLT WH BLK
(x7) | 5/16x2-1/4



H100416 | BOLT WH BLK
(x4) | 5/16x3



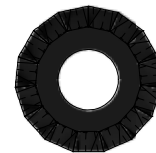
H100503 | BOLT WH BLK
(x4) | 5/16x3-1/2



H100192 | NUT BARREL WH BLK
(x15) | 5/16x7/8



H100479 | NUT LOCK BLK
(x7) | 5/16



H100198 | WASHER LOCK EXT BLK
(x15) | 8x19



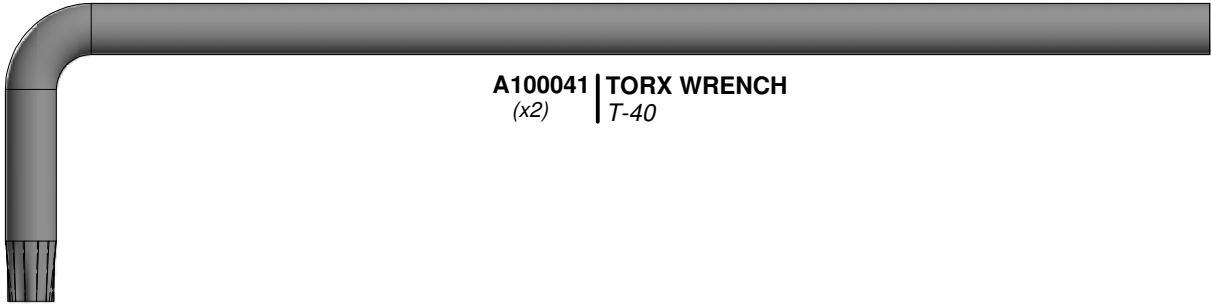
H100199 | WASHER LOCK EXT BLK
(x15) | 12x19



H100474 | WASHER FLAT BLK
(x13) | 9x18



Hardware Components



A100041 | TORX WRENCH
(x2) | T-40



A100042 | TORX BIT
(x2) | T-40



H100764 | SCREW SETTER
(x1)



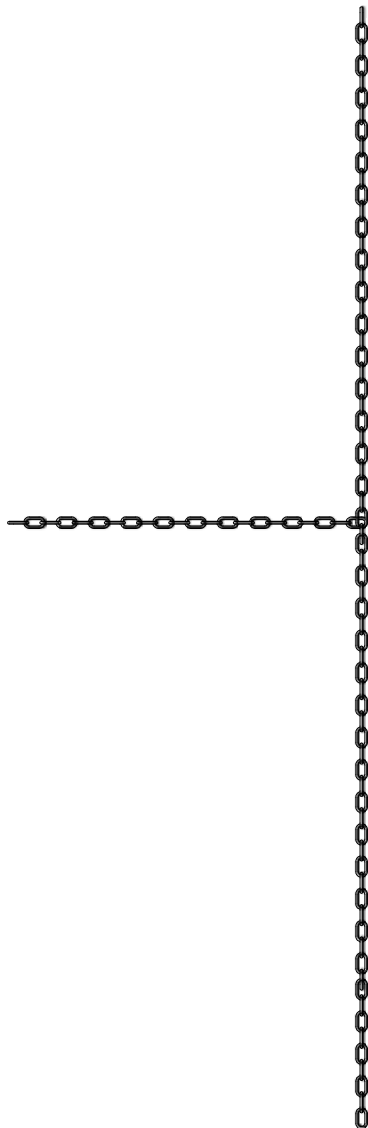
Accessory Components (Not to Scale)



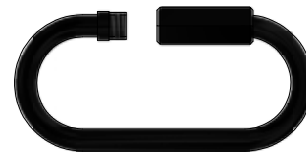
A4M00631 | TIE STRAP PLATE BLK
(x2)



A4M00632 | CHAIN SUPPORT BRACKET BLK
(x2)



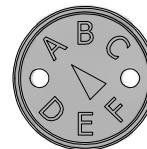
A4M00988 | PORCH SWING CHAIN
(x2)



A4M00633 | QUICK LINK BLK
(x6)



A100241 | BYD ID TAG (SMALL) WITHOUT AGES
(x1)



A100314 | "A" REVISION TAG
(x1)



A6P00170 | STAIN MARKER
(x1)



STEP 1

E1 | **BACK REST SUPPORT - W4L13230**
 (x2) | 1 3/8"x3 3/8"x23 1/4" (36x86x590)

E2 | **BENCH SUPPORT - W4L13231**
 (x2) | 1 3/8"x3 3/8"x20 1/4" (36x86x515)

E3 | **CENTER BACK REST SUPPORT - W4L13238**
 (x1) | 1 3/8"x3 3/8"x23 1/4" (36x86x590)

E4 | **CENTER BENCH SUPPORT - W4L13237**
 (x1) | 1 3/8"x3 3/8"x20 1/4" (36x86x515)



H100205 | **BOLT WH BLK**
 (x6) | 5/16x2-1/4



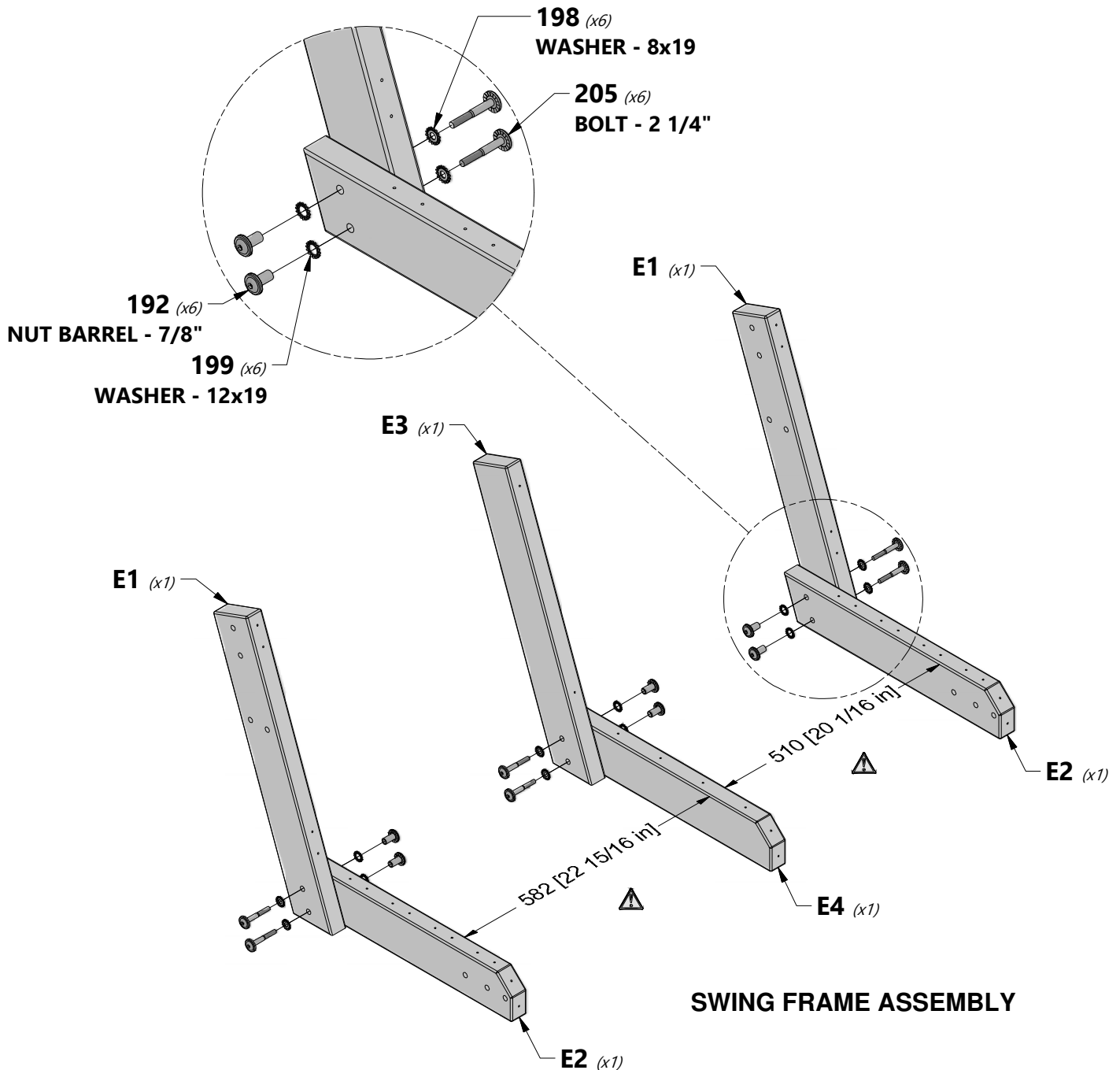
H100198 | **WASHER LOCK EXT BLK**
 (x6) | 8x19



H100199 | **WASHER LOCK EXT BLK**
 (x6) | 12x19



H100192 | **NUT BARREL WH BLK**
 (x6) | 5/16x7/8





STEP 2

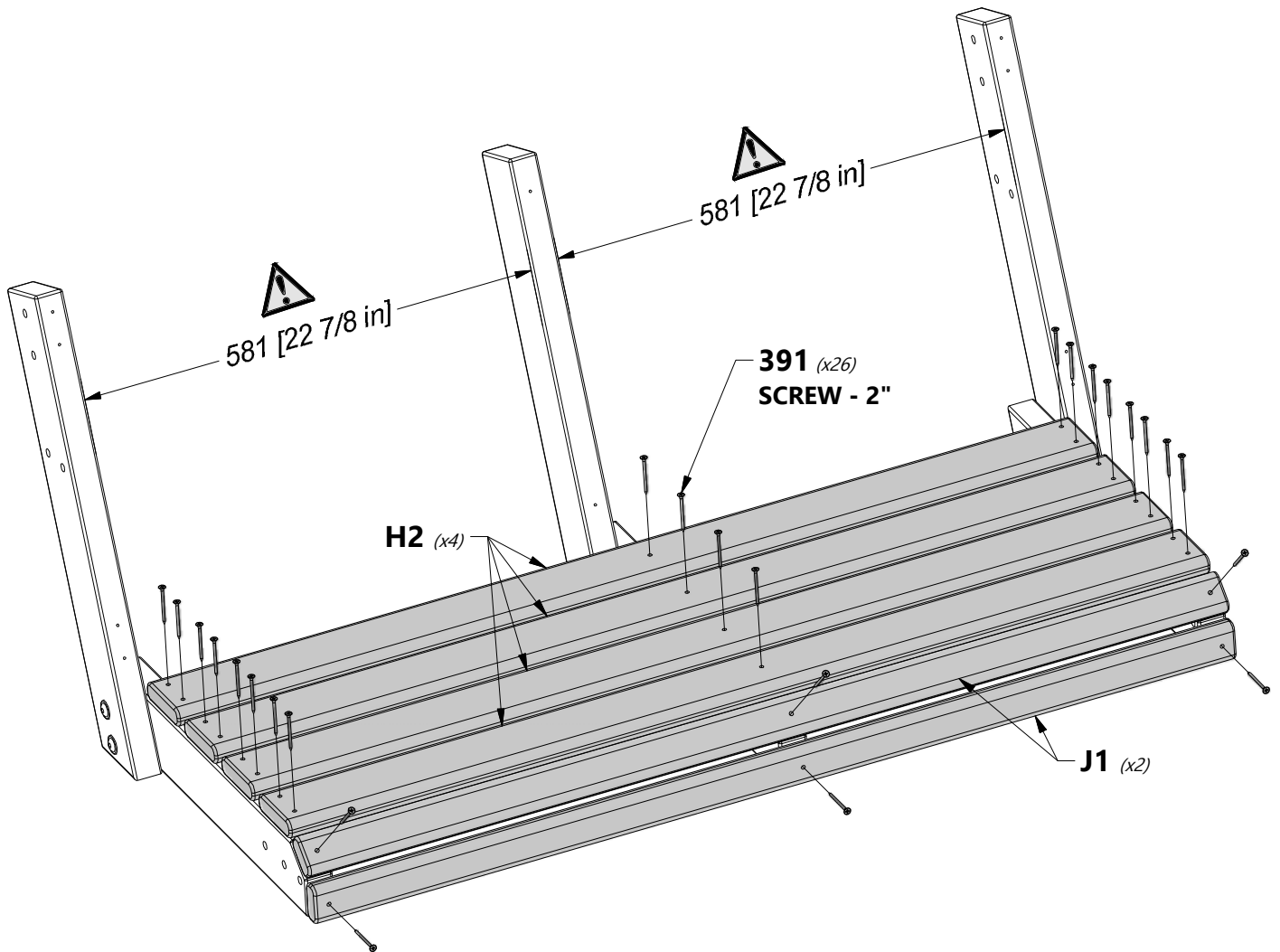
H2 | BENCH SEAT BOARD - W4L13232
(x4) | 1"x3 3/8"x47 1/8" (24x86x1198)

J1 | FRONT BENCH SEAT BOARD - W4L13235
(x2) | 1"x2"x47 1/8" (24x50x1198)

H100391 | SCREW PFH BLK
(x26) | 8x2



NOTE:
USE PILOT HOLES IN SUPPORTS TO
MOUNT BENCH SEAT BOARDS.





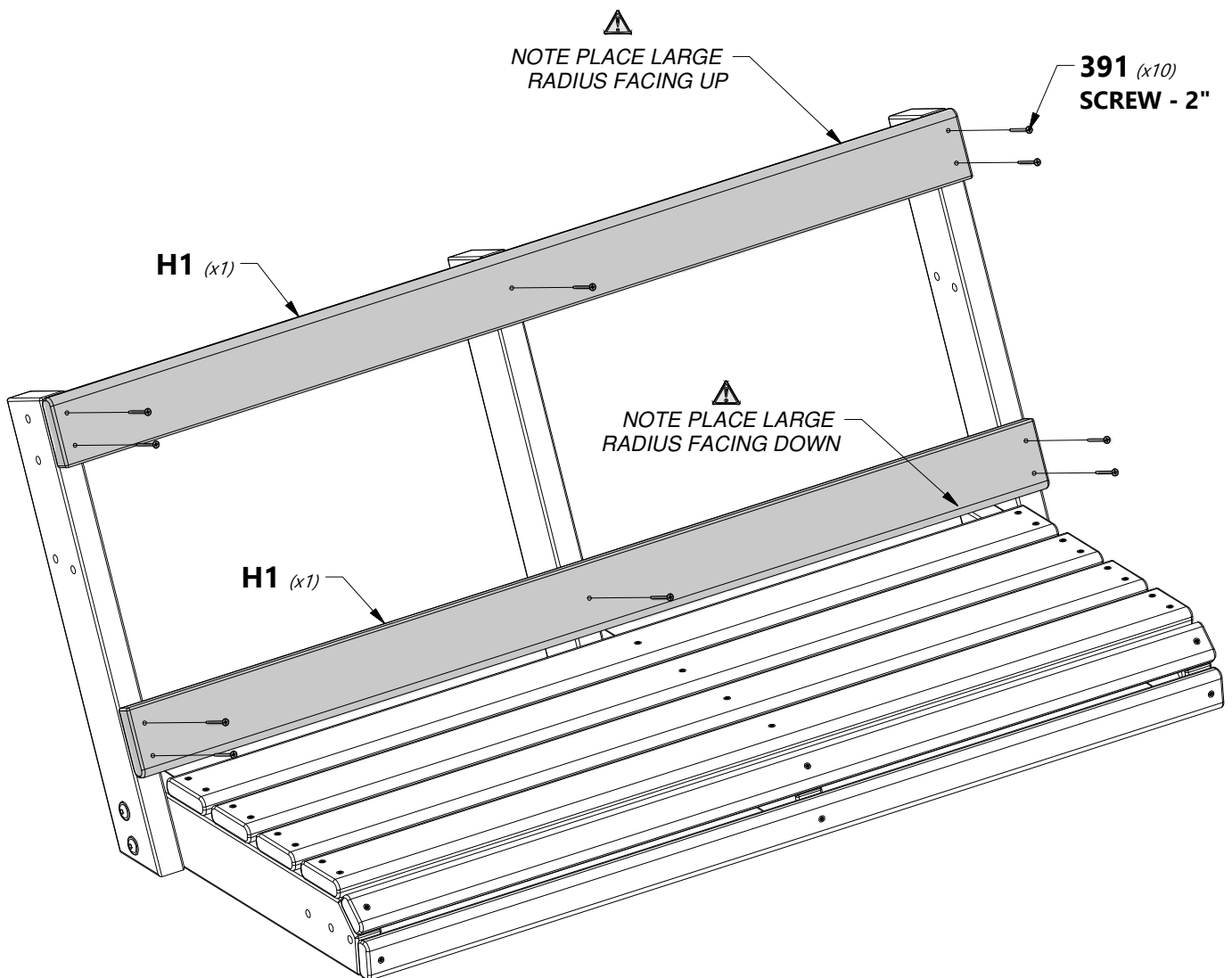
STEP 3

H1 | **BACK REST BOARD - W4L13241**
(x2) | 1"x3 3/8"x50" (24x86x1270)

H100391 | **SCREW PFH BLK**
(x10) | 8x2



NOTE:
USE PILOT HOLES IN SUPPORTS TO MOUNT BACK REST BOARDS.





STEP 4

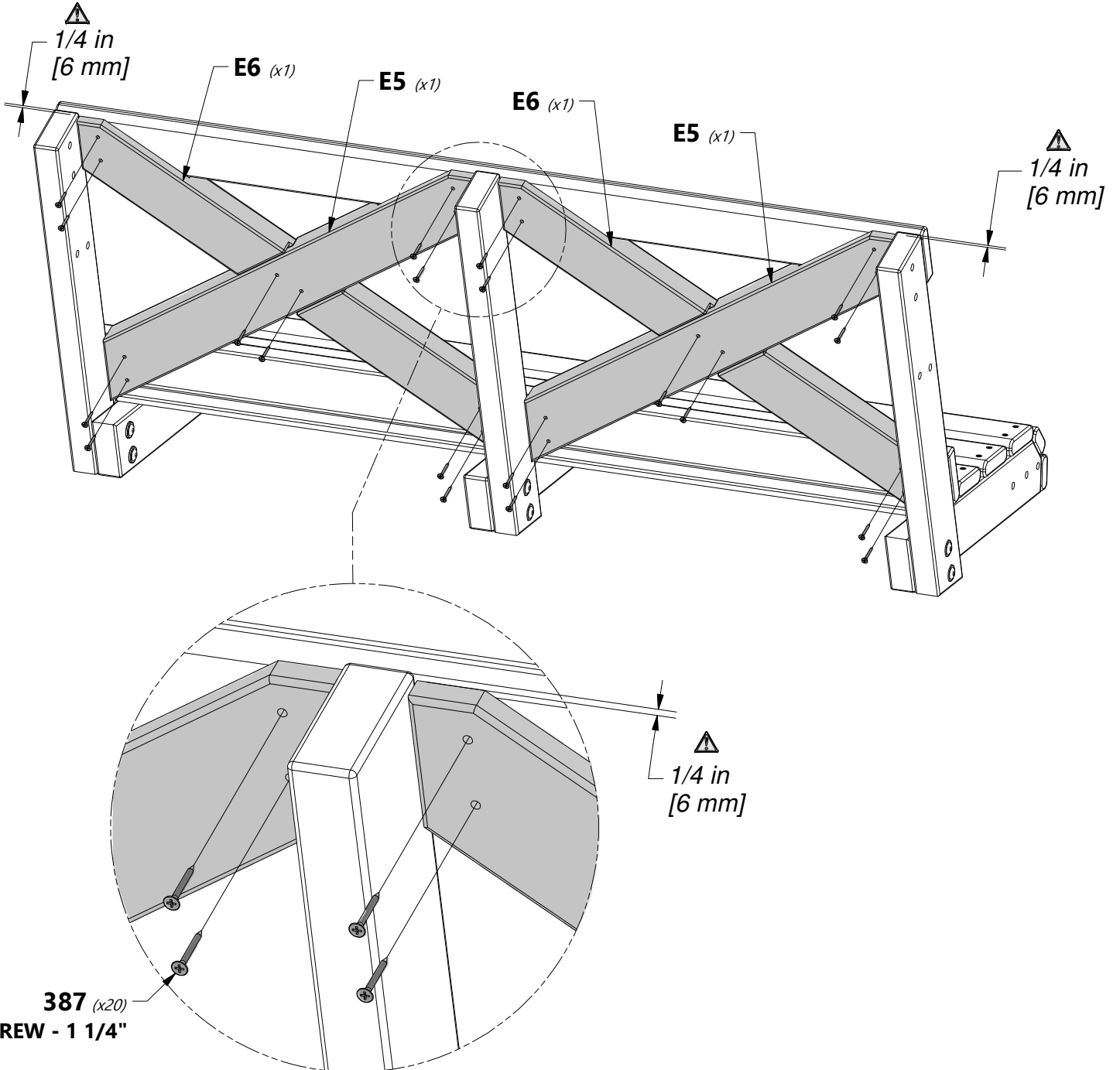
E5 | **LEFT X-FRAME - W4L13240**
(x2) | 1 3/8"x3 3/8"x29 1/2" (36x86x750)

E6 | **RIGHT X-FRAME - W4L13239**
(x2) | 1 7/16"x3 3/8"x29 9/16" (36x86x750)

H100387 | **SCREW PFH BLK**
(x20) | 8x1-1/4



NOTE:
ATTACH E6 BOARDS BEFORE ATTACHING E5 BOARDS.





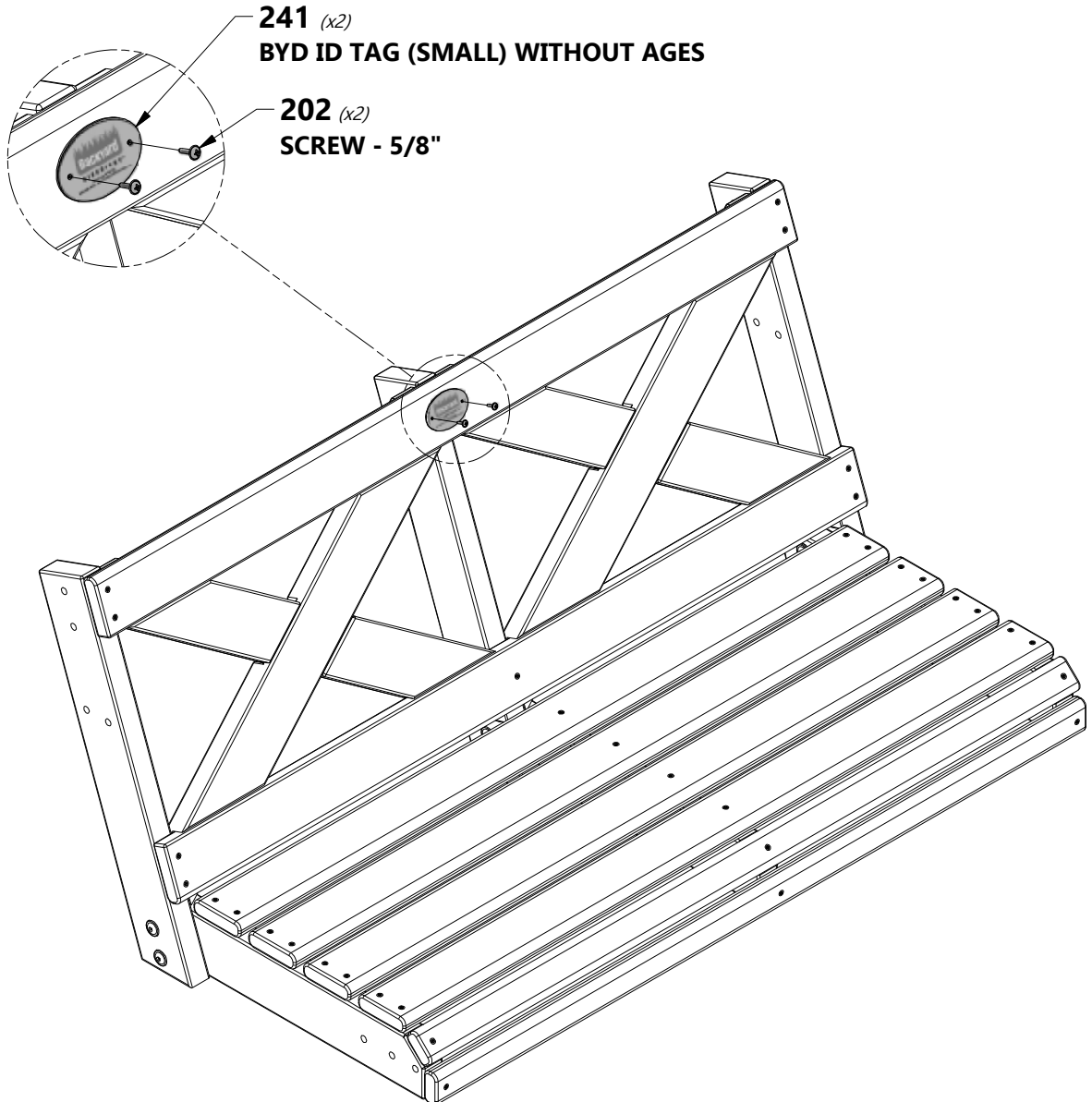
STEP 5



A100241 (x1) | BYD ID TAG (SMALL) WITHOUT AGES



H100202 (x2) | SCREW PWH BLK
8x5/8





STEP 6



W1 | **ARM REST SUPPORT - W4L13233**
(x2) | 3"x2"x13" (76x50x330)



A4M00632 | **CHAIN SUPPORT BRACKET BLK**
(x2)



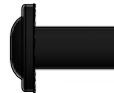
H100416 | **BOLT WH BLK**
(x4) | 5/16x3



H100761 | **BOLT HEX BLK**
(x2) | 5/16x2



H100199 | **WASHER LOCK EXT BLK**
(x4) | 12x19



H100192 | **NUT BARREL WH BLK**
(x4) | 5/16x7/8



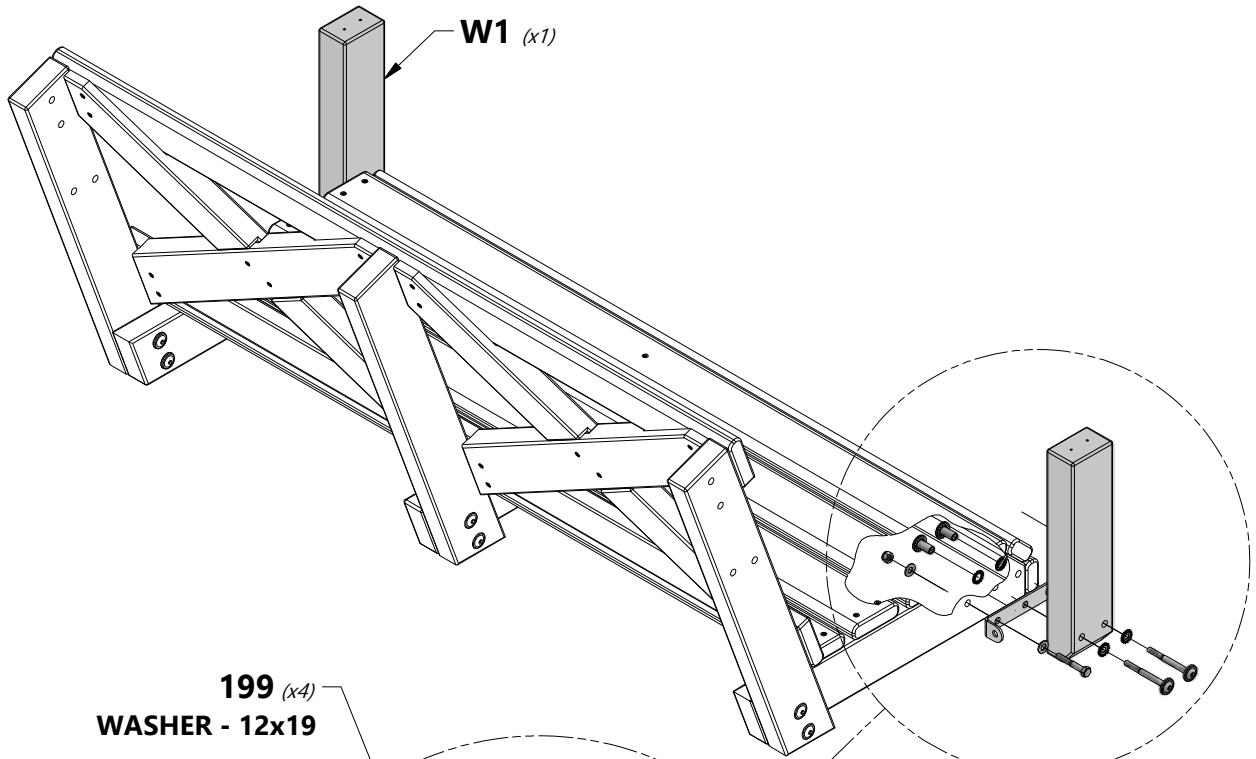
H100198 | **WASHER LOCK EXT BLK**
(x4) | 8x19



H100479 | **NUT LOCK BLK**
(x2) | 5/16



H100474 | **WASHER FLAT BLK**
(x4) | 9x18



199 (x4)
WASHER - 12x19

192 (x4)
NUT BARREL - 7/8"

479 (x2)
NUT - 5/16"

474 (x2)
WASHER - 9x18

W1 (x1)

198 (x4)
WASHER - 8x19

416 (x4)
BOLT - 3"

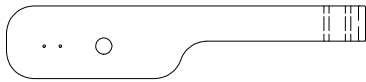
761 (x2)
BOLT - 5/-16x2" BLK

632 (x2)
CHAIN SUPPORT BRACKET BLK

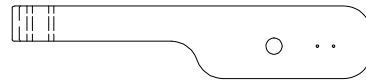
474 (x2)
WASHER - 9x18



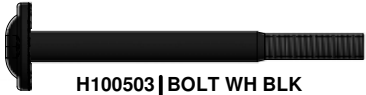
STEP 7



(1) **D1 - RIGHT ARM REST - W4L13234**
1 3/8"x5 1/4"x26 1/8" (36x134x665)



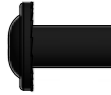
(1) **D2 - LEFT ARM REST - W4L13236**
1 3/8"x5 1/4"x26 1/8" (36x134x665)



H100503 | BOLT WH BLK
(x4) | 5/16x3-1/2



H100198 | WASHER LOCK EXT BLK
(x4) | 8x19



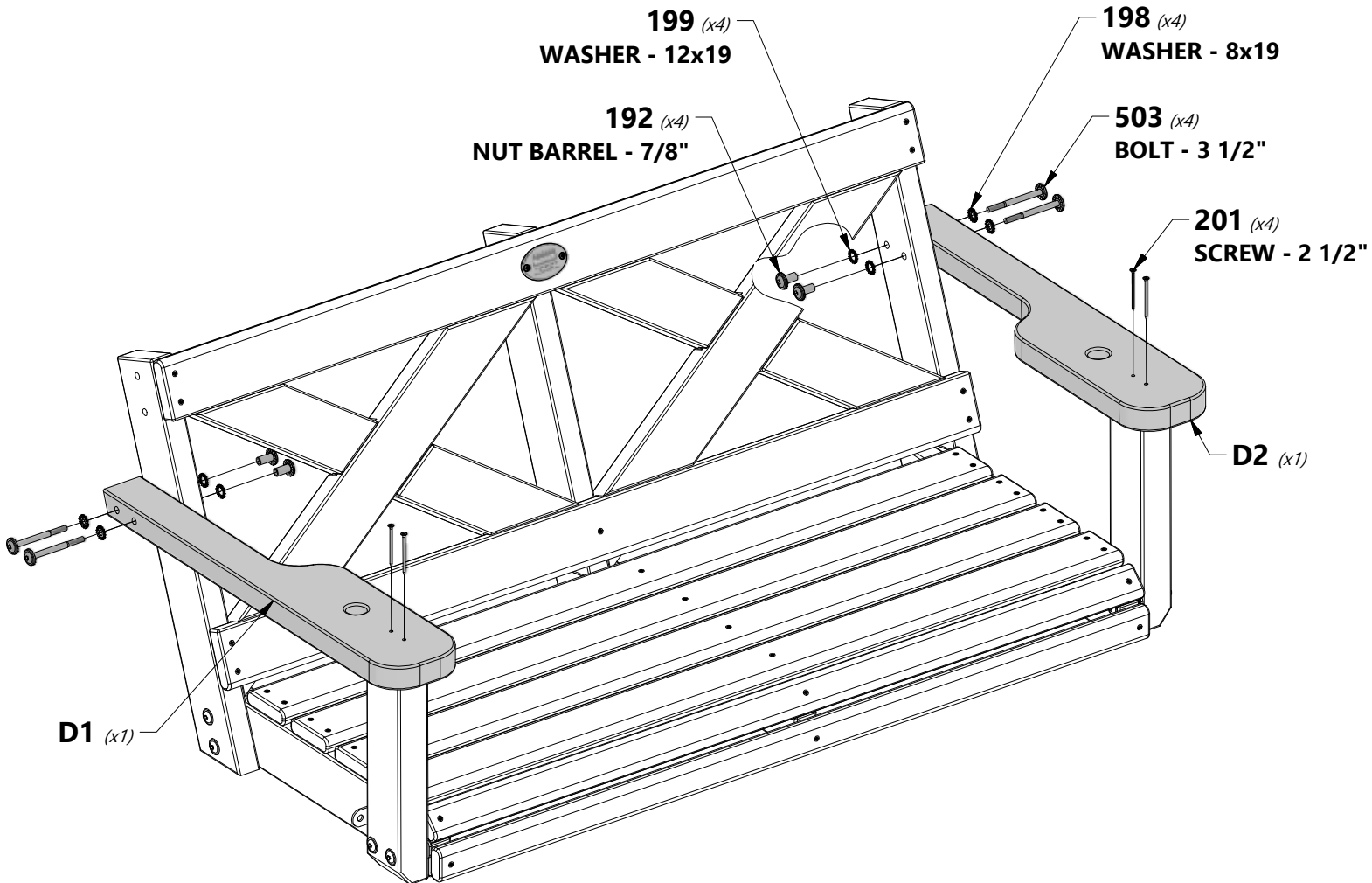
H100192 | NUT BARREL WH BLK
(x4) | 5/16x7/8



H100199 | WASHER LOCK EXT BLK
(x4) | 12x19



H100201 | SCREW PFH BLK
(x4) | 8x2-1/2





STEP 8



A100314 | "A" REVISION TAG
(x1)



A4M00631 | TIE STRAP PLATE BLK
(x2)



H100761 | BOLT HEX BLK
(x4) | 5/16x2



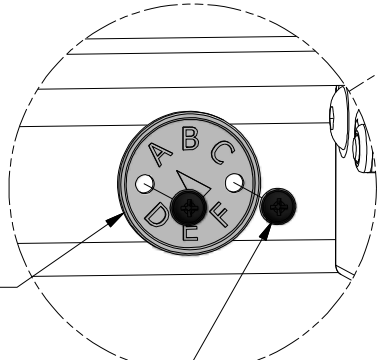
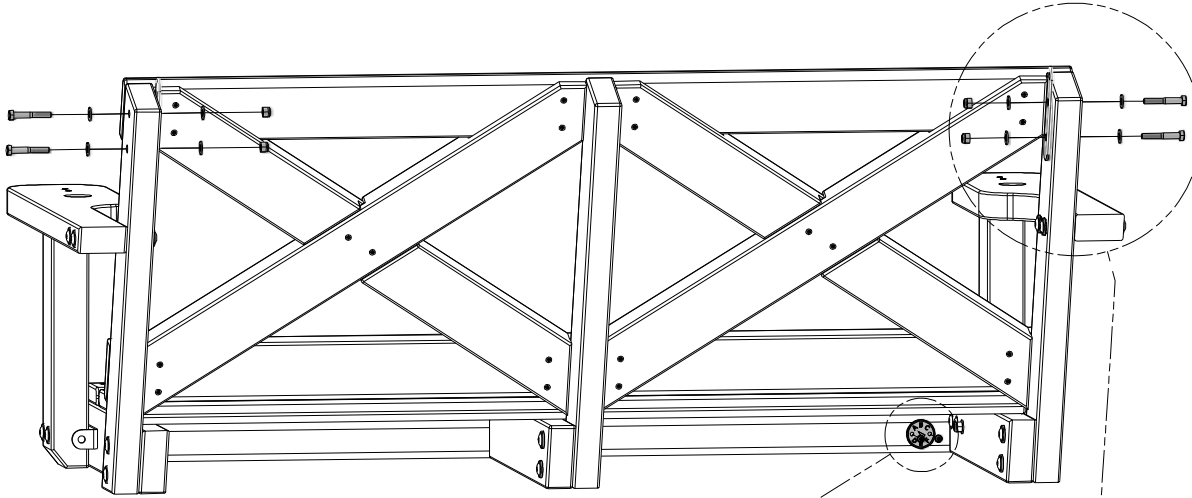
H100479 | NUT LOCK BLK
(x4) | 5/16



H100474 | WASHER FLAT BLK
(x8) | 9x18



H100202 | SCREW PWH BLK
(x2) | 8x5/8

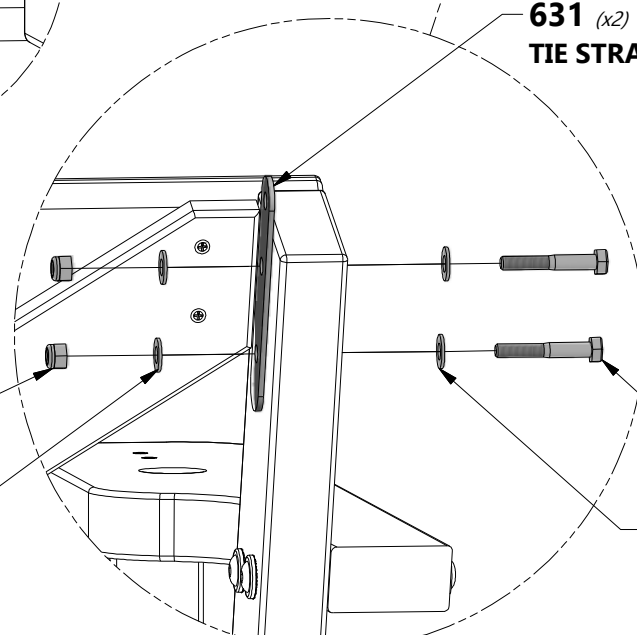


314 (x1)
"A" REVISION TAG

202 (x2)
SCREW - 5/8"

479 (x4)
NUT - 5/16"

474 (x4)
WASHER - 9x18



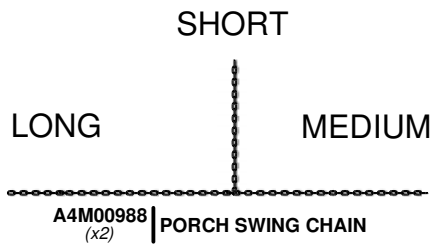
631 (x2)
TIE STRAP PLATE BLK

761 (x4)
BOLT - 5/-16x2" BLK

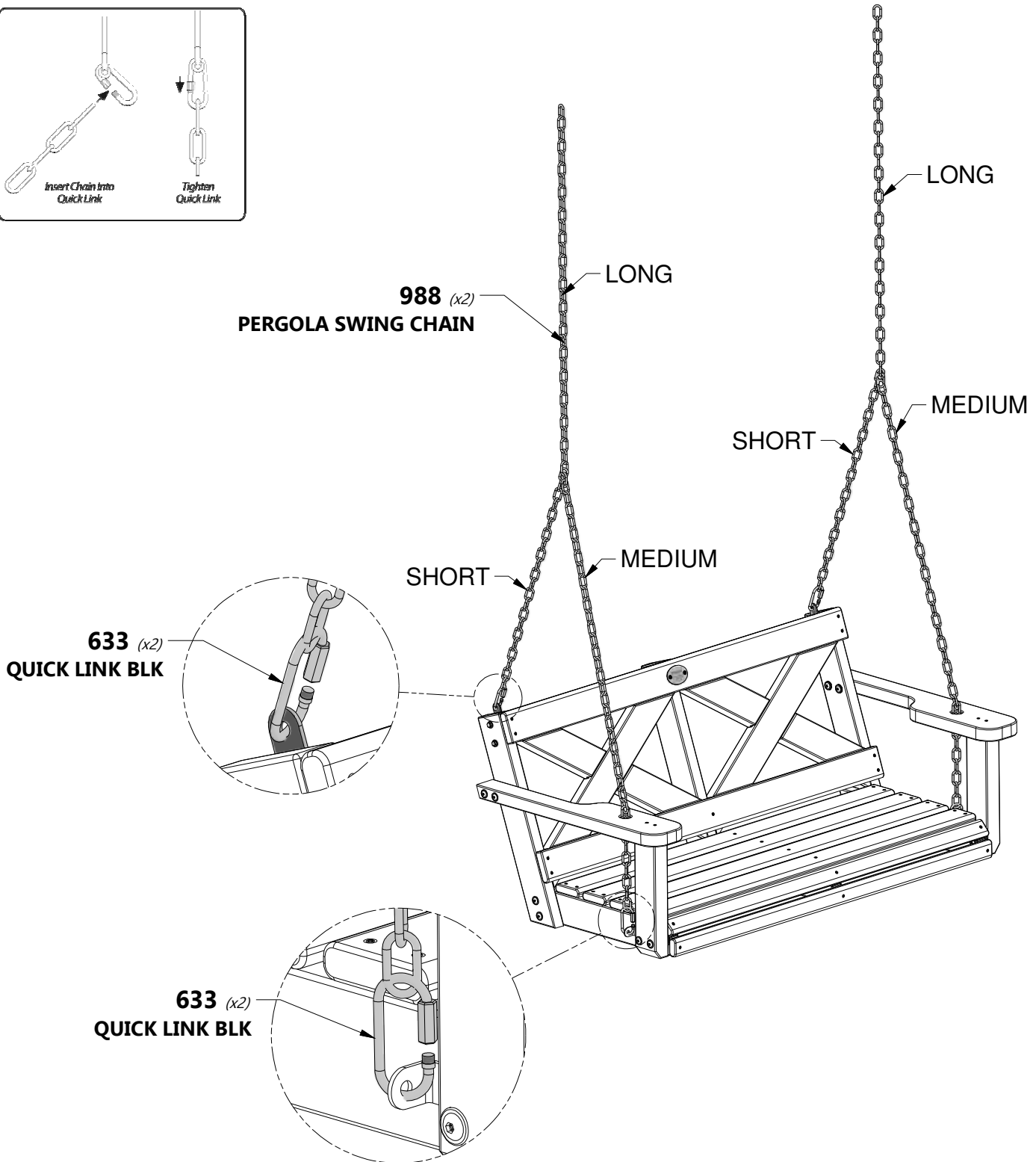
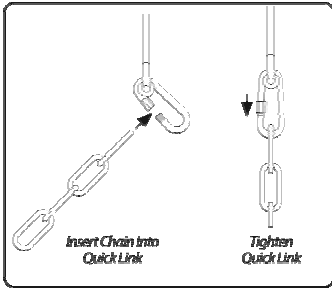
474 (x4)
WASHER - 9x18



STEP 9



A4M00633 (x4) | QUICK LINK BLK





STEP 10



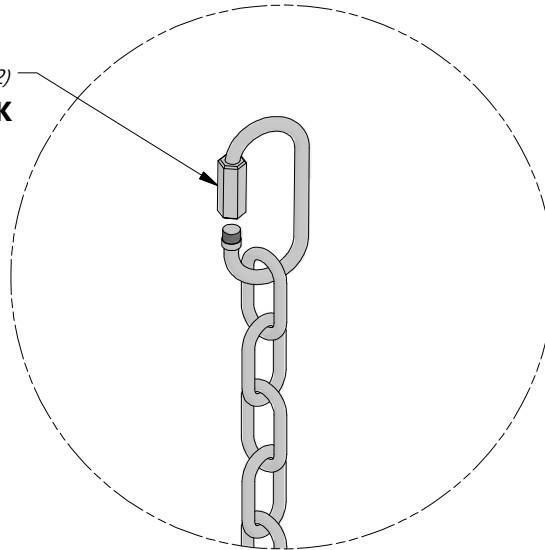
A4M00633
(x2) QUICK LINK BLK



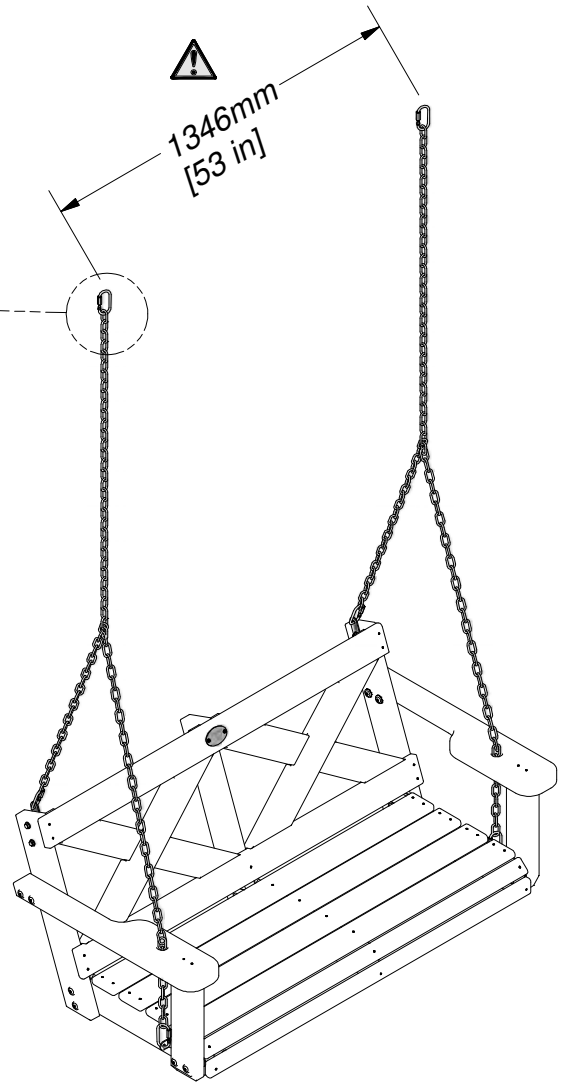
TIP:

- Before hanging the swing, make sure the support beam or joists in the ceiling will support the weight of the swing and its occupants. If you're unsure of the ceiling strength please get the advice of an experienced carpenter.
- The included quick links may not work for all applications. Get the advice of a professional for an alternative solution.

633 (x2)
QUICK LINK BLK



1346mm
[53 in]



NOTE:

Positioning the swing

- Leave a minimum of 2-1/2 feet in front of and behind the swing for ample swinging room.
- Position the swing chains between 51" to 55" apart to efficiently disperse the weight.



NOT TO EXCEED 600 LBS