

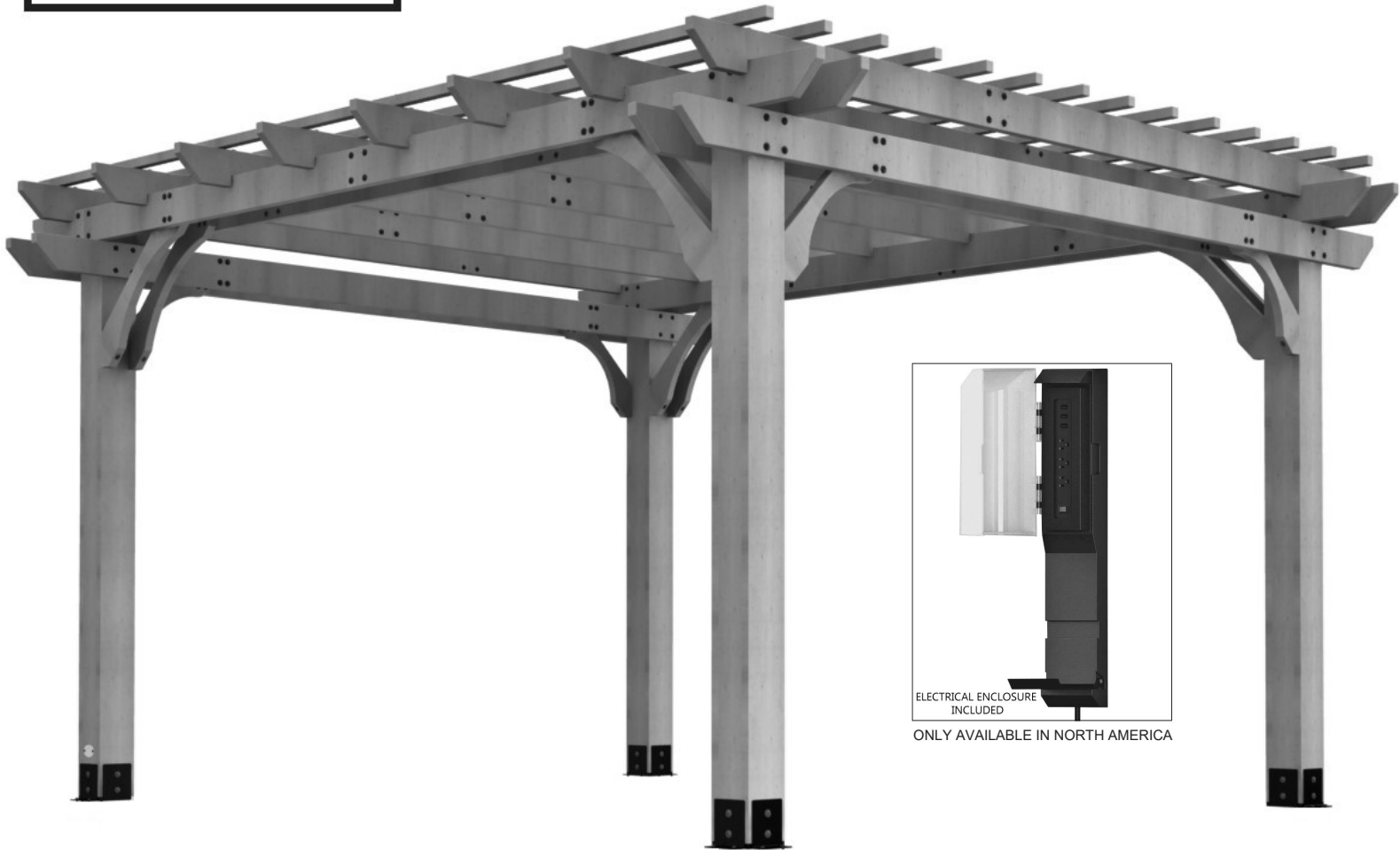


Manufactured by:
 Backyard Discovery
 3305 Airport Drive, Pittsburg, KS 66762
 800-856-4445

Basepoint Business Centre: Rivermead Drive, Westlea, Swindon SN5 7EX Phone: 0800-118-2476
 J.P. Coenstraat 7, The Bridge, The Hague, 2595 WP, Netherlands Phone: 08005678990

BEAUMONT 14X12 PERGOLA

MODEL: # 2101555



ELECTRICAL ENCLOSURE INCLUDED
 ONLY AVAILABLE IN NORTH AMERICA

Please visit www.backyarddiscovery.com
 For the most up to date assembly manual, to register your product, or to order replacement parts
 Para obtener instrucciones en español, visite www.backyarddiscovery.com



EASY STEP-BY-STEP
 3D INTERACTIVE INSTRUCTIONS
 DOWNLOAD THE FREE APP
 



INSTALLATION
 SERVICES
 AVAILABLE!
 See inside for details

ONLY AVAILABLE IN UNITED STATES

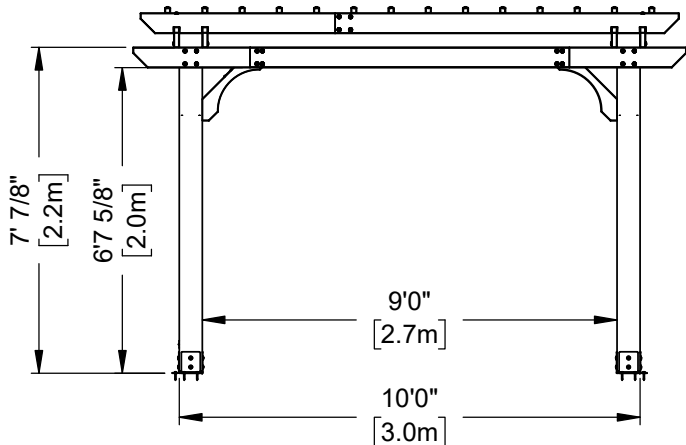
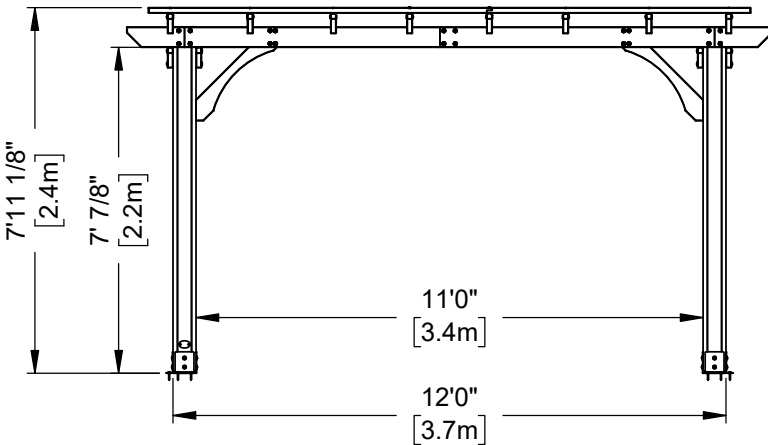
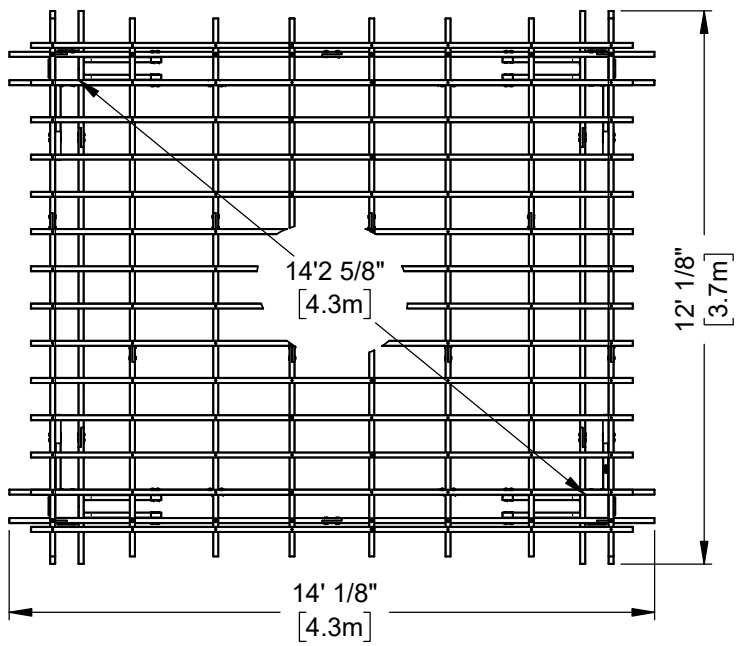
OWNER'S MANUAL - BASIC SETUP DIMENSIONS & ASSEMBLY NOTES

It is critically important that you start with square and level footings, concrete pad or deck to attach your structure

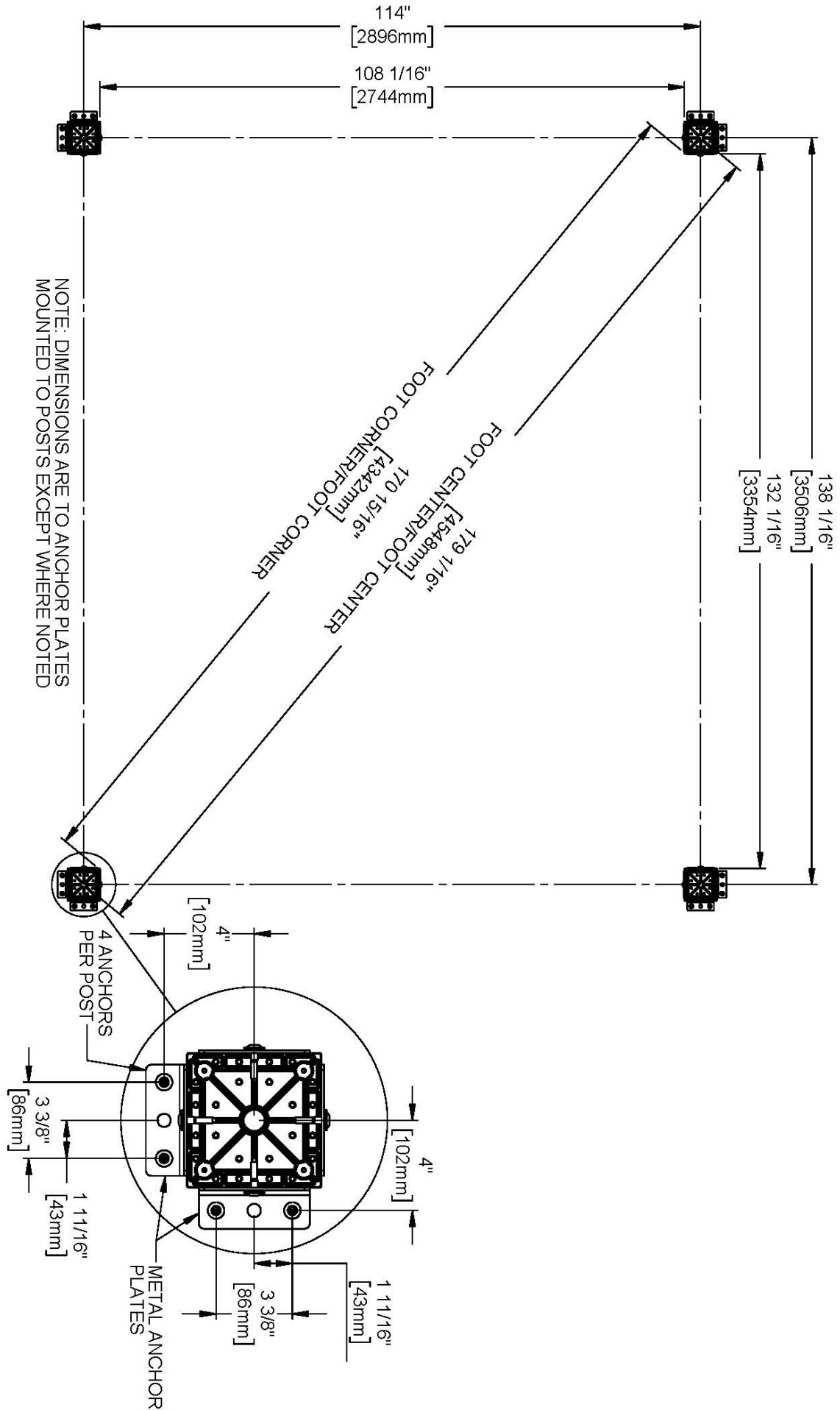
- Pay close attention to the items needed for each step. Make sure you are using the correct hardware for each step. Using incorrect hardware may result in improper assembly
- Remember to double check for underground utilities and overhead electrical lines

Post mounts are provided with your structure which allows you to permanently install your structure to a pre-existing or new wood or concrete surface. See Anchor Instructions for further details and recommendations.

- The hardware to attach the post mounts to the structure is included.
- The hardware to mount the structure permanently to a concrete surface is included.
- The hardware to mount the structure permanently to a wood deck is NOT included and will need to be purchased separately. You must ensure there is ample structural support under the deck before permanently attaching.

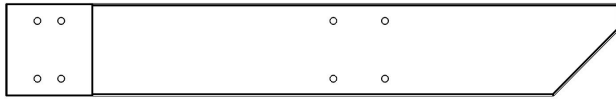


OWNER'S MANUAL - ANCHORING LAYOUT

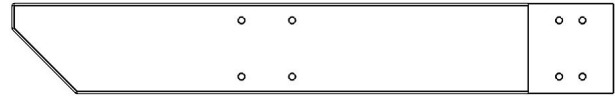


OWNER'S MANUAL - PARTS IDENTIFICATION

Wood Components (Not to Scale)



D01 | JOIST END - W4L15500
(4) | 1 3/8"x5 1/4"x35 1/2" (36x134x902)



D02 | JOIST END - W4L15501
(4) | 1 3/8"x5 1/4"x35 1/2" (36x134x902)



D03 | JOIST END - W4L15502
(2) | 1 3/8"x5 1/4"x15" (36x134x382)



D04 | JOIST END - W4L15503
(2) | 1 3/8"x5 1/4"x15" (36x134x382)



D05 | JOIST END - W4L15504
(2) | 1 3/8"x5 1/4"x56 3/8" (36x134x1431)



D06 | JOIST END - W4L15505
(2) | 1 3/8"x5 1/4"x56 3/8" (36x134x1431)



D07 | JOIST - W4L15506
(4) | 1 3/8"x5 1/4"x83 1/8" (36x134x2112)



D08 | JOIST - W4L15518
(2) | 1 3/8"x5 1/4"x65 1/2" (36x134x1664)



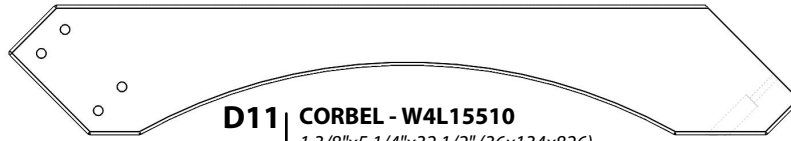
D09 | JOIST - W4L15519
(2) | 1 3/8"x5 1/4"x74 1/2" (36x134x1893)



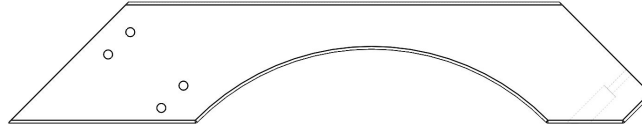
D10 | JOIST - W4L15520
(2) | 1 3/8"x5 1/4"x74 1/2" (36x134x1893)

OWNER'S MANUAL - PARTS IDENTIFICATION

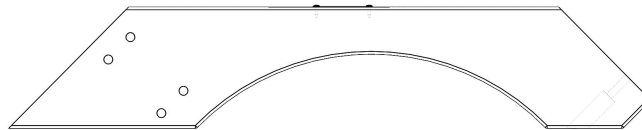
Wood Components (Not to Scale)



D11 | CORBEL - W4L15510
(8) | 1 3/8"x5 1/4"x32 1/2" (36x134x826)



D12 | CORBEL - W4L15513
(3) | 1 3/8"x5 1/4"x28 1/4" (36x134x719)



D13 | CORBEL - W2A03243
(1) | 1 3/8"x5 1/4"x28 1/4" (36x134x719)



P10 | PURLIN END - W4L15521
(14) | 1 3/8"x1 3/8"x68 3/4" (36x36x1746)



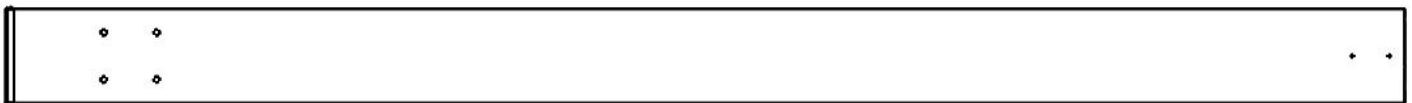
P11 | PURLIN END - W4L15522
(14) | 1 3/8"x1 3/8"x89 1/2" (36x36x2274)



D14 | SLOTTED JOIST - W4L15515
(8) | 1 3/8"x5 1/4"x55 3/4" (36x134x1416)



D15 | SLOTTED JOIST - W4L15517
(8) | 1 3/8"x5 1/4"x89 1/2" (36x134x2274)



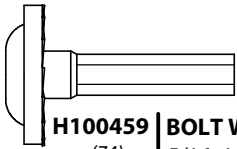
P01 | POST - W2A03241
(2) | 6"x6"x89 1/2" (152x152x2274)



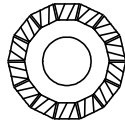
P02 | POST - W2A03242
(2) | 6"x6"x89 1/2" (152x152x2274)

OWNER'S MANUAL - PARTS IDENTIFICATION

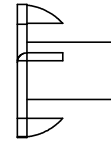
Hardware Components



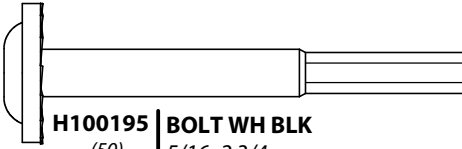
H100459 | BOLT WH BLK
(74) | 5/16x1 1/4



H100198 | WASHER LOCK
(173) | EXT BLK 8x19



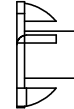
H100379 | T-NUT BLK
(155) | 5/16x5/8



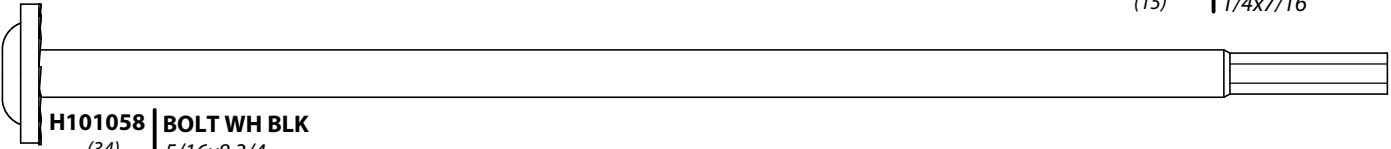
H100195 | BOLT WH BLK
(50) | 5/16x2 3/4



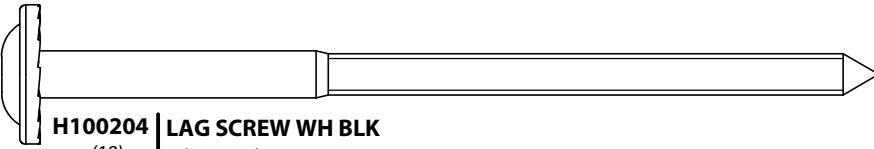
H100405 | WASHER LOCK
(28) | EXT BLK 6x15



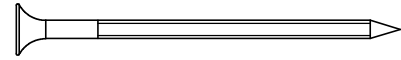
H100398 | T-NUT BLK
(15) | 1/4x7/16



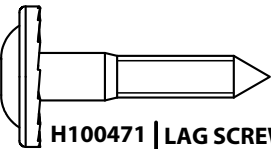
H101058 | BOLT WH BLK
(34) | 5/16x8 3/4



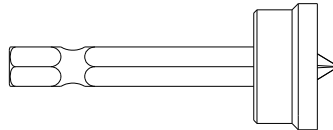
H100204 | LAG SCREW WH BLK
(18) | 5/16x5 1/2



H100201 | SCREW PFH BLK
(102) | 8x2 1/2



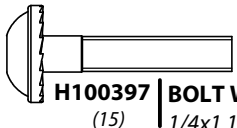
H100471 | LAG SCREW WH BLK
(34) | 5/16x1 1/2



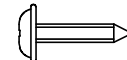
H100764 | SCREW SETTER
(1)



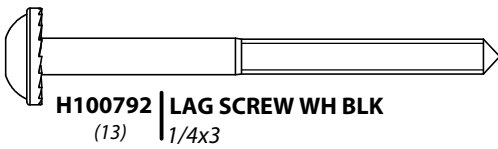
H100200 | SCREW PFH BLK
(17) | 8x1 1/2



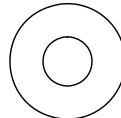
H100397 | BOLT WH BLK
(15) | 1/4x1 1/4



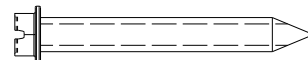
H100202 | SCREW PWH BLK
(2) | 8x5/8



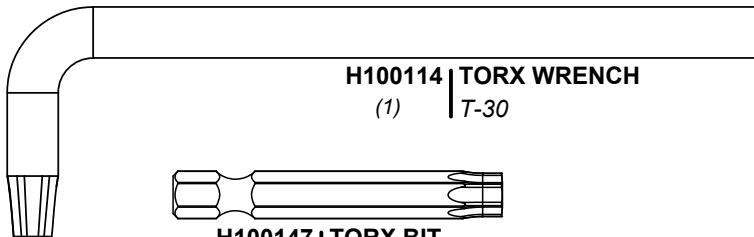
H100792 | LAG SCREW WH BLK
(13) | 1/4x3



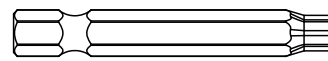
H100630 | WASHER FLAT BLK
(18) | 8x19



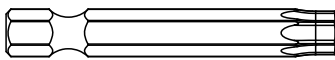
H100120 | SCREW CONCRETE ANCHOR
(18) | 1/4x2



H100114 | TORX WRENCH
(1) | T-30

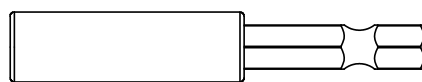


A100042 | TORX BIT
(1) | T-40



H100147 | TORX BIT
(1) | T-30

A100041 | TORX WRENCH
(1) | T-40



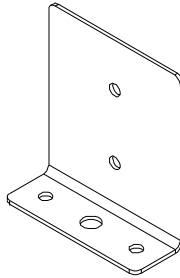
H101100 | MAGNETIC DRIVER
(1)

OWNER'S MANUAL - PARTS IDENTIFICATION

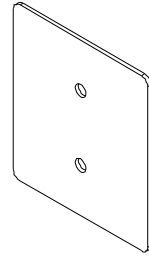
Accessory Components (Not to Scale)



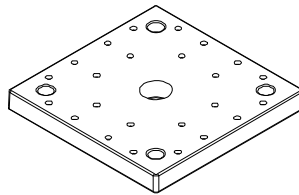
A100241
(1) | **BYD ID TAG
(SMALL)
WITHOUT AGES**



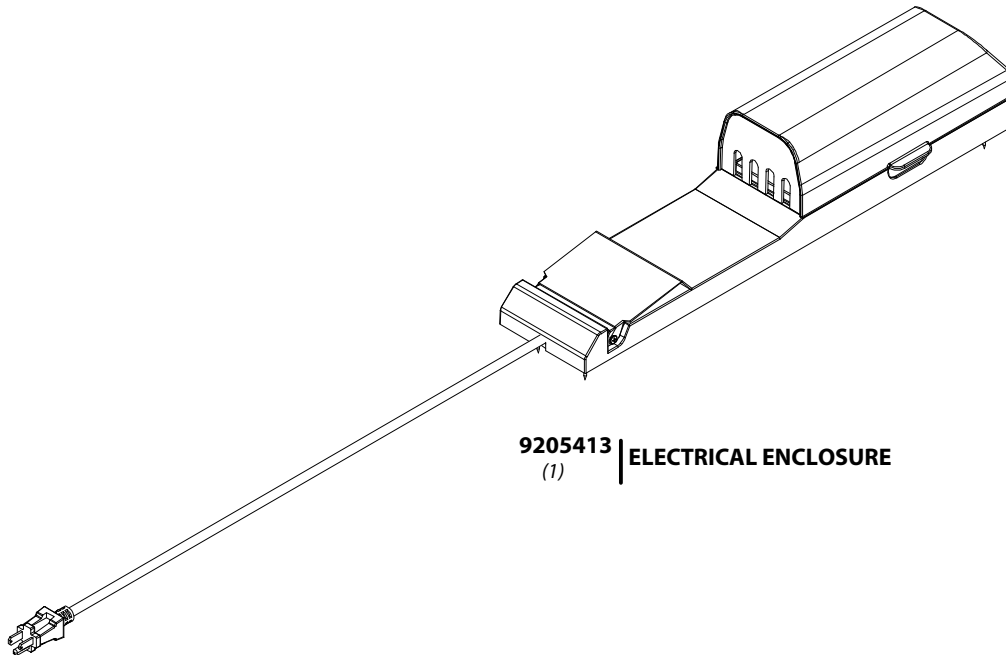
A4M00977
(x8) | **POST ANCHORING PLATE**



A4M00978
(x8) | **POST PLATE**



A6P00308
(x4) | **6x6 POST FOOT**



9205413
(1) | **ELECTRICAL ENCLOSURE**

PRE-ASSEMBLY STEP 1 - SORTING PARTS

It is critical for ease of assembly that you take the time to sort and organize the wood and hardware.

WOOD PARTS:

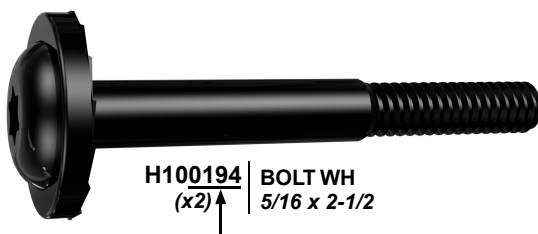
- Organize wood parts by the three-digit, alpha-numeric number stamped on each board (ex. P01).
- If there are multiple boards with the same stamped number, stack those pieces together.
- Stamps can be found on the flat surface of the boards or on the end of the boards.
- Allow yourself plenty of room - the wood pieces can take up a significant amount of space.

NOTE: CARTONS ARE NOT ORGANIZED BY BOARD NUMBER.



HARDWARE PARTS:

- We recommend that you have a separate table to organize the hardware.
- Hardware bags are printed with a seven-digit, alpha-numeric part number.
- You can organize your hardware by part number or group by hardware type (i.e. bolts, nuts, etc.).
- During assembly you only need to reference the last four digits of the number.



H100194 | BOLT WH
(x2) ↑ 5/16 x 2-1/2

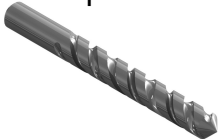
PRE-ASSEMBLY STEP 2 - TOOLS REQUIRED



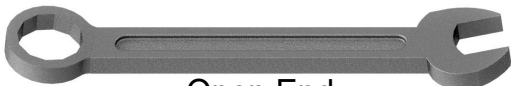
Cordless Drill
or Electric Drill



Drill
Attachments:
Phillips Head



1/8", 3/16", 3/8" &
7/16" Drill Bits



Open End
Wrenches 1/2" &
9/16"



3/8" Drive Ratchet, 1/2" &
7/16" STD Sockets 1/2" & 7/16"
Deep Sockets



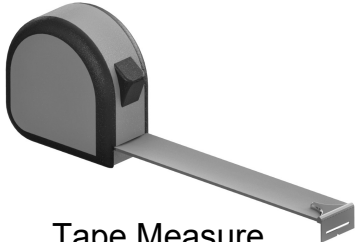
Phillips Screw Driver



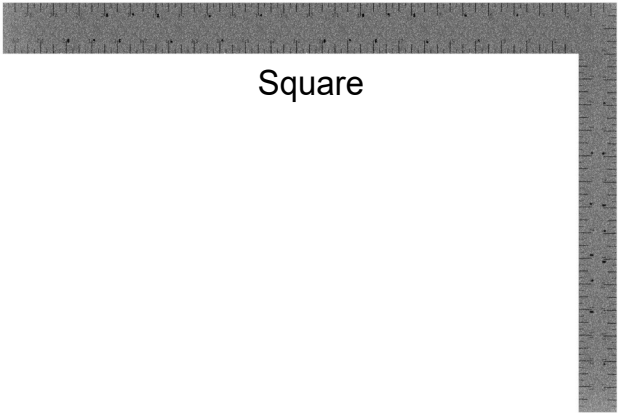
Claw Hammer



Rubber Mallet
- Optional



Tape Measure



Square




Level 24"

PRE-ASSEMBLY STEP 3 - CHOOSE YOUR ASSEMBLY METHOD

There are several types of assembly instructions available to you.

1. Printed Assembly Manual included with your set
2. BILT APP - 3D interactive instructions
3. Combination of the Printed Manual and BILT APP (Note: Step numbers can differ between the two methods)



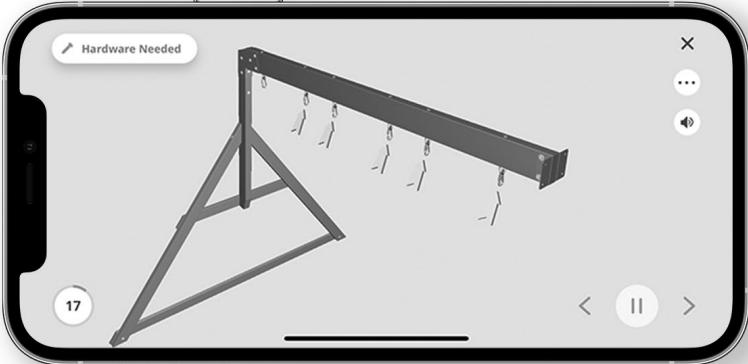
BILT.[®]

Scan for easy
3D instructions

Download the BILT app
before you begin

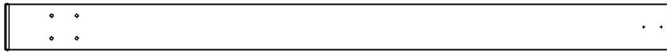
Download on the
App Store

GET IT ON
Google Play

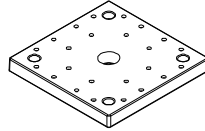


The image shows a smartphone screen displaying a 3D assembly instruction. The screen features a 3D model of a metal frame structure. At the top left, there is a button labeled "Hardware Needed". At the bottom left, a circular icon contains the number "17". At the bottom center, there is a play button icon. At the bottom right, there are navigation arrows. The screen also has a close button (X) at the top right, a menu button (three dots) below it, and a volume icon below that.

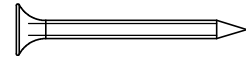
STEP 4 - PERGOLA ASSEMBLY



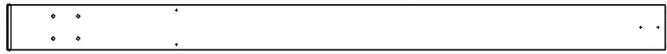
P01 | POST - W2A03241
(2) | 6"x6"x89 1/2" (152x152x2274)



A6P00308 | 6x6 POST FOOT
(x4)



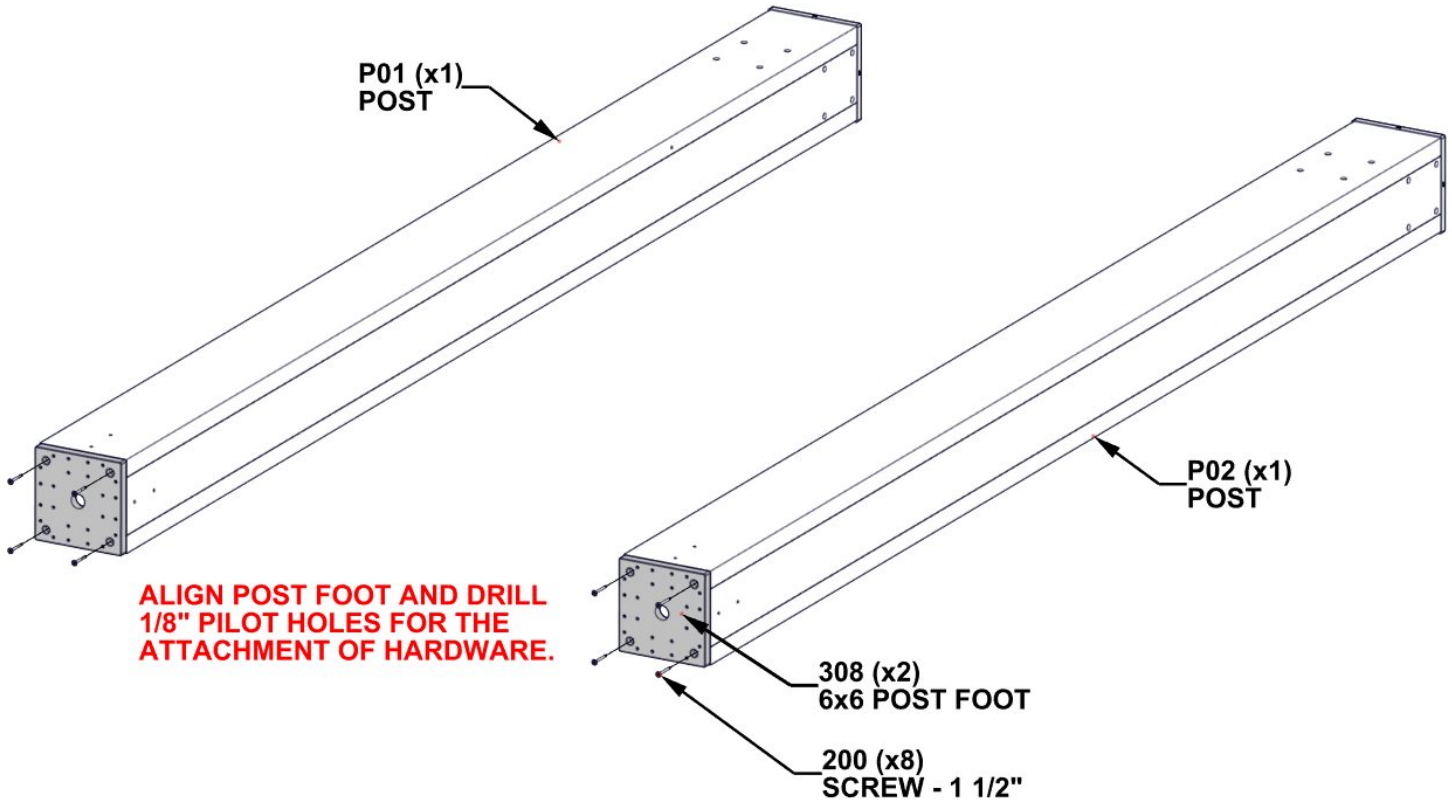
H100200 | SCREW PFH BLK
(16) | 8x1 1/2



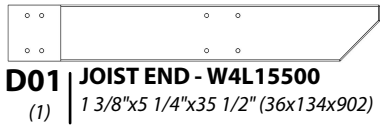
P02 | POST - W2A03242
(2) | 6"x6"x89 1/2" (152x152x2274)

COMPLETE THIS STEP TWICE.

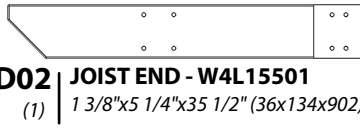
FOR EASE OF ASSEMBLY, WE RECOMMEND USING SAW HORSES FOR STEPS 4-10.



STEP 5 - PERGOLA ASSEMBLY



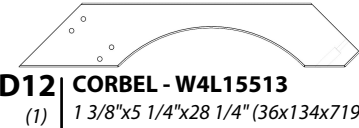
D01 | JOIST END - W4L15500
(1) | 1 3/8"x5 1/4"x35 1/2" (36x134x902)



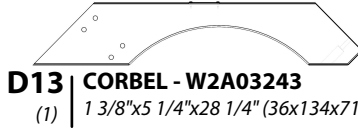
D02 | JOIST END - W4L15501
(1) | 1 3/8"x5 1/4"x35 1/2" (36x134x902)



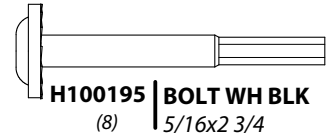
D07 | JOIST - W4L15506
(1) | 1 3/8"x5 1/4"x83 1/8" (36x134x2112)



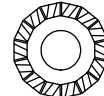
D12 | CORBEL - W4L15513
(1) | 1 3/8"x5 1/4"x28 1/4" (36x134x719)



D13 | CORBEL - W2A03243
(1) | 1 3/8"x5 1/4"x28 1/4" (36x134x719)



H100195 | BOLT WH BLK
(8) | 5/16x2 3/4

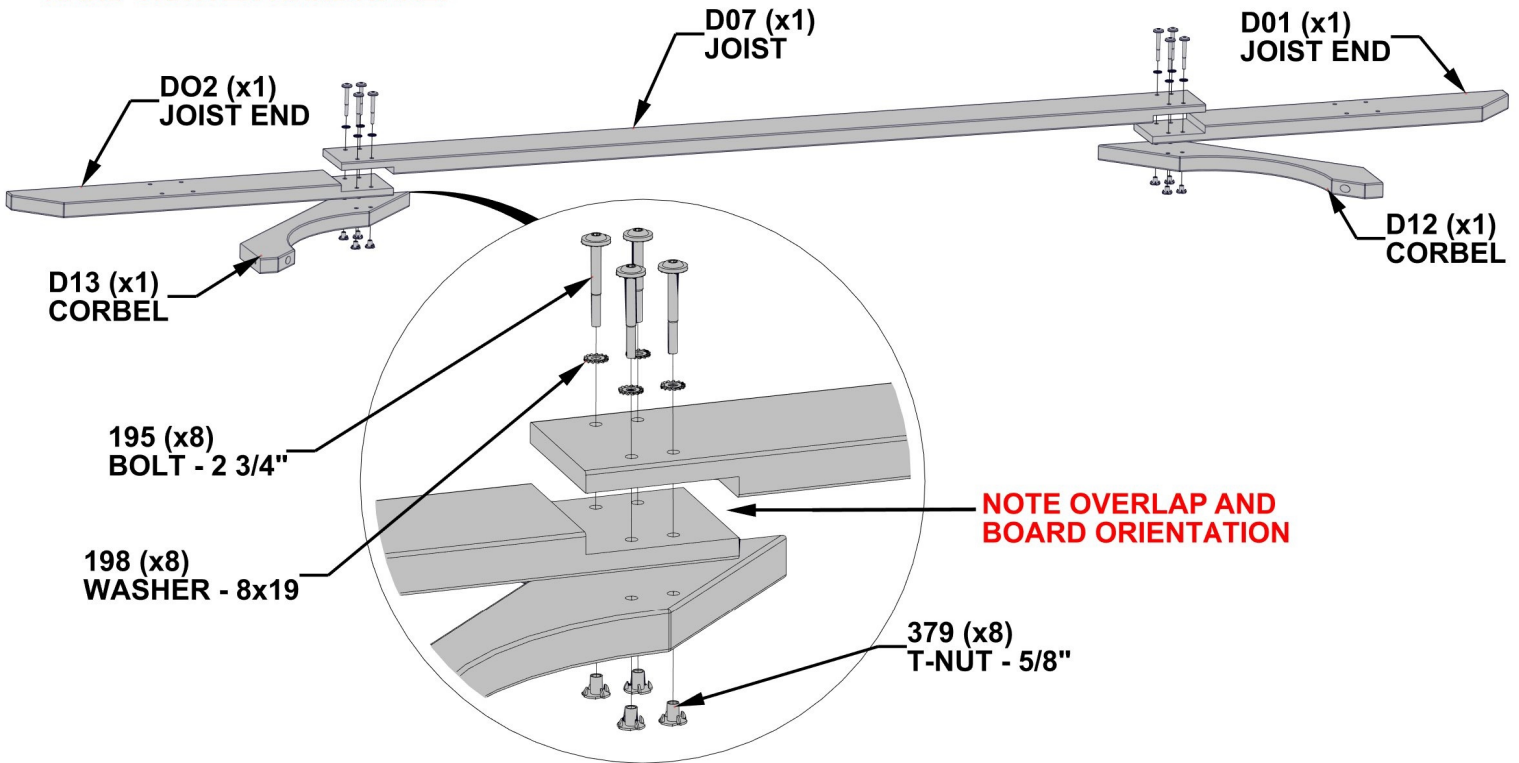


H100198 | WASHER LOCK
(8) | EXT BLK 8x19



H100379 | T-NUT BLK
(8) | 5/16x5/8

HAND TIGHTEN HARDWARE.



STEP 6 - PERGOLA ASSEMBLY



D01 | JOIST END - W4L15500
(1) | 1 3/8"x5 1/4"x35 1/2" (36x134x902)



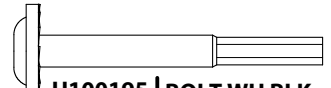
D02 | JOIST END - W4L15501
(1) | 1 3/8"x5 1/4"x35 1/2" (36x134x902)



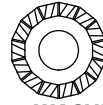
D07 | JOIST - W4L15506
(1) | 1 3/8"x5 1/4"x83 1/8" (36x134x2112)



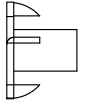
D12 | CORBEL - W4L15513
(2) | 1 3/8"x5 1/4"x28 1/4" (36x134x719)



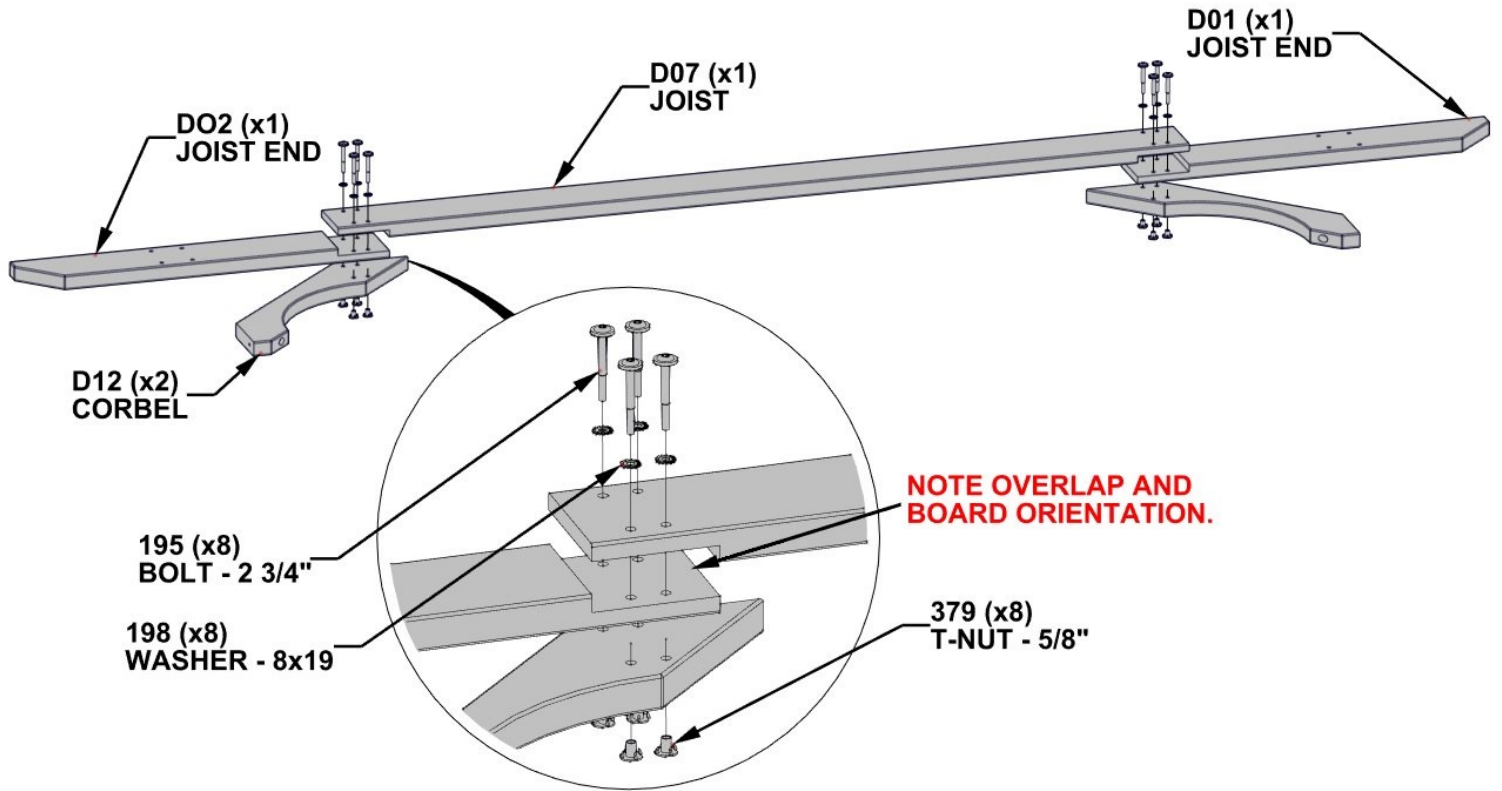
H100195 | BOLT WH BLK
(8) | 5/16x2 3/4



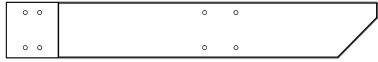
**H100198 | WASHER LOCK
EXT BLK 8x19**
(8)



H100379 | T-NUT BLK
(8) | 5/16x5/8



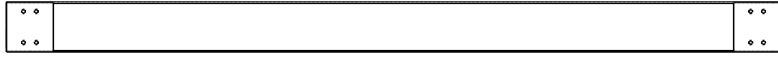
STEP 7 - PERGOLA ASSEMBLY



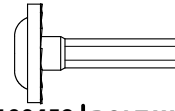
D01 | JOIST END - W4L15500
(2) | 1 3/8"x5 1/4"x35 1/2" (36x134x902)



D02 | JOIST END - W4L15501
(2) | 1 3/8"x5 1/4"x35 1/2" (36x134x902)



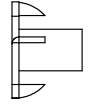
D07 | JOIST - W4L15506
(2) | 1 3/8"x5 1/4"x83 1/8" (36x134x2112)



H100459 | BOLT WH BLK
(16) | 5/16x1 1/4

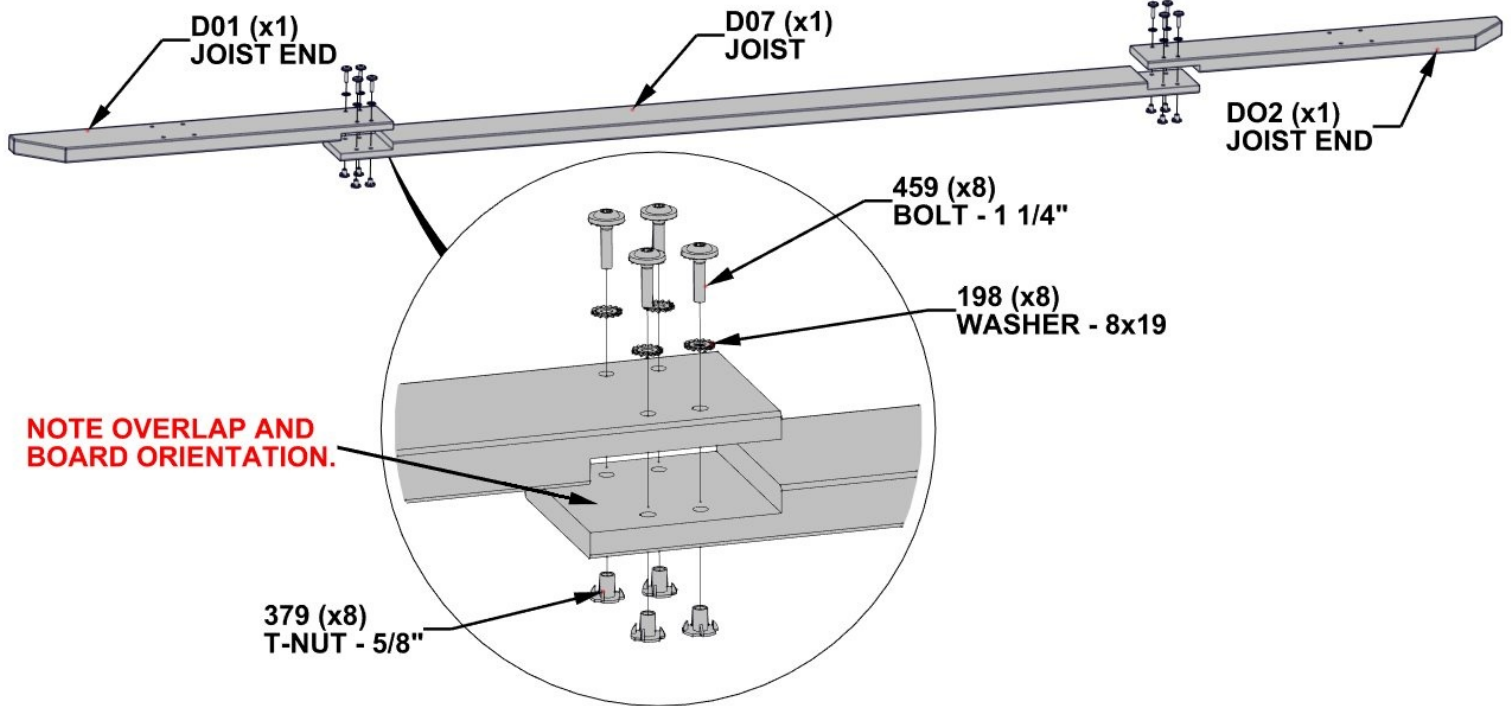


H100198 | WASHER LOCK
(16) | EXT BLK 8x19

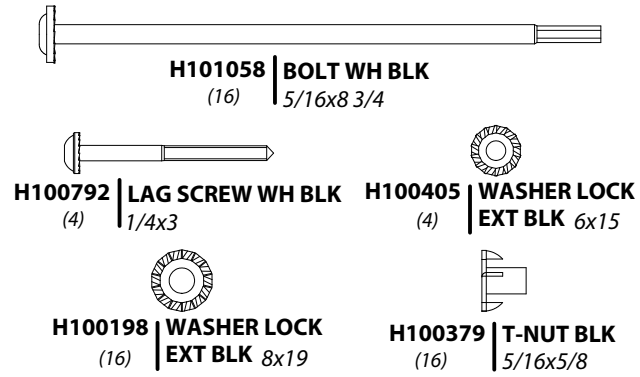
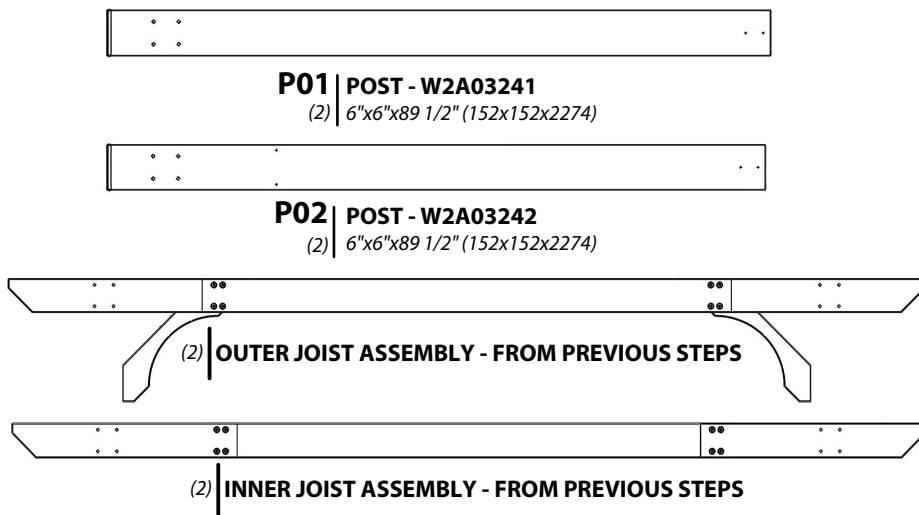


H100379 | T-NUT BLK
(16) | 5/16x5/8

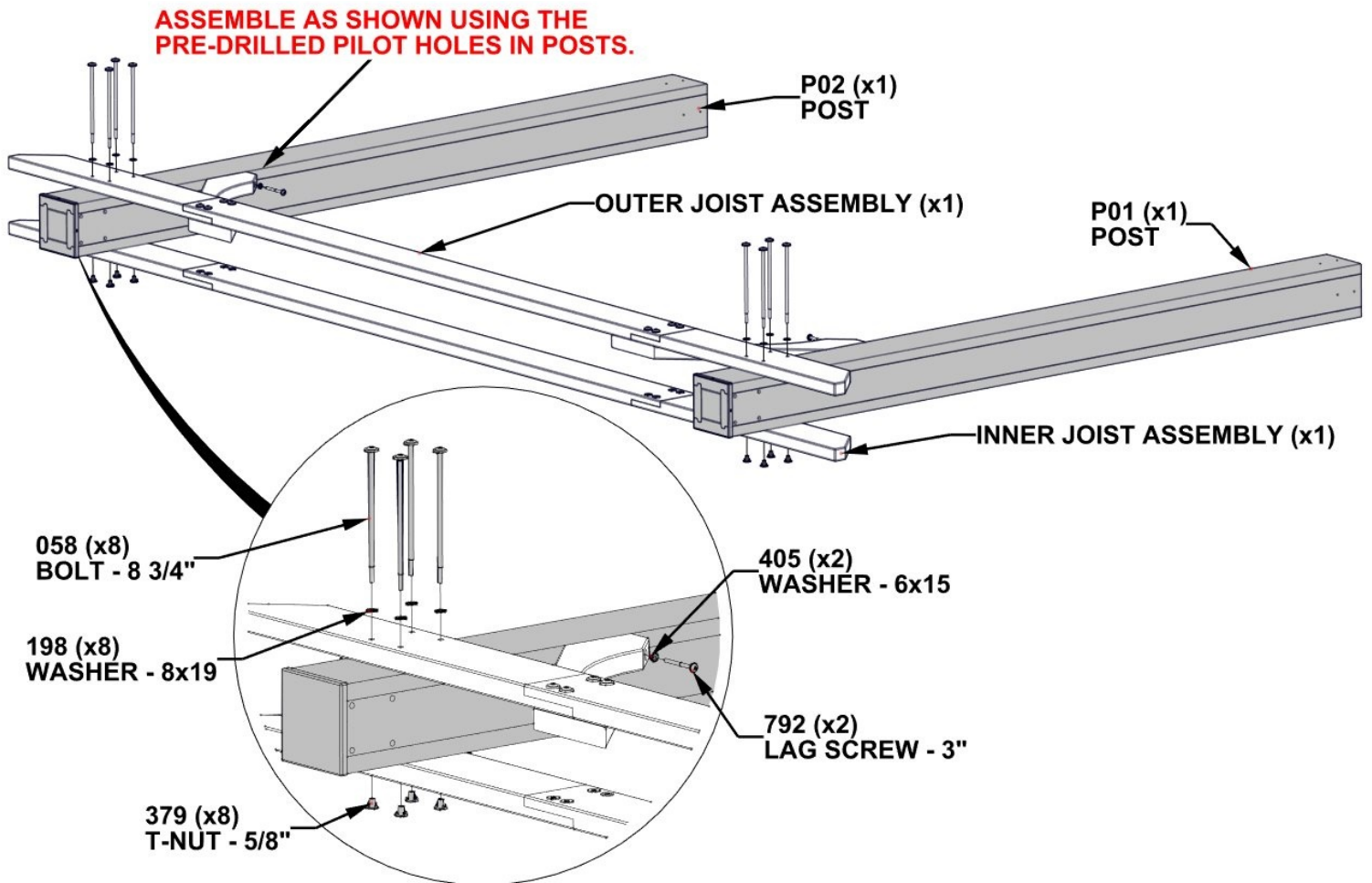
COMPLETE THIS STEP TWICE.



STEP 8 - PERGOLA ASSEMBLY



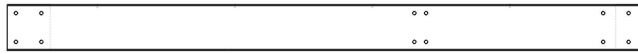
COMPLETE THIS STEP TWICE.



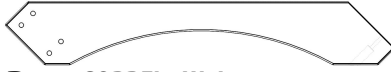
STEP 9 - PERGOLA ASSEMBLY



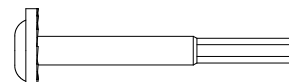
D09 | JOIST - W4L15519
(2) | 1 3/8"x5 1/4"x74 1/2" (36x134x1893)



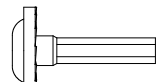
D10 | JOIST - W4L15520
(2) | 1 3/8"x5 1/4"x74 1/2" (36x134x1893)



D11 | CORBEL - W4L15510
(4) | 1 3/8"x5 1/4"x32 1/2" (36x134x826)



H100195 | BOLT WH BLK
(16) | 5/16x2 3/4



H100459 | BOLT WH BLK
(8) | 5/16x1 1/4

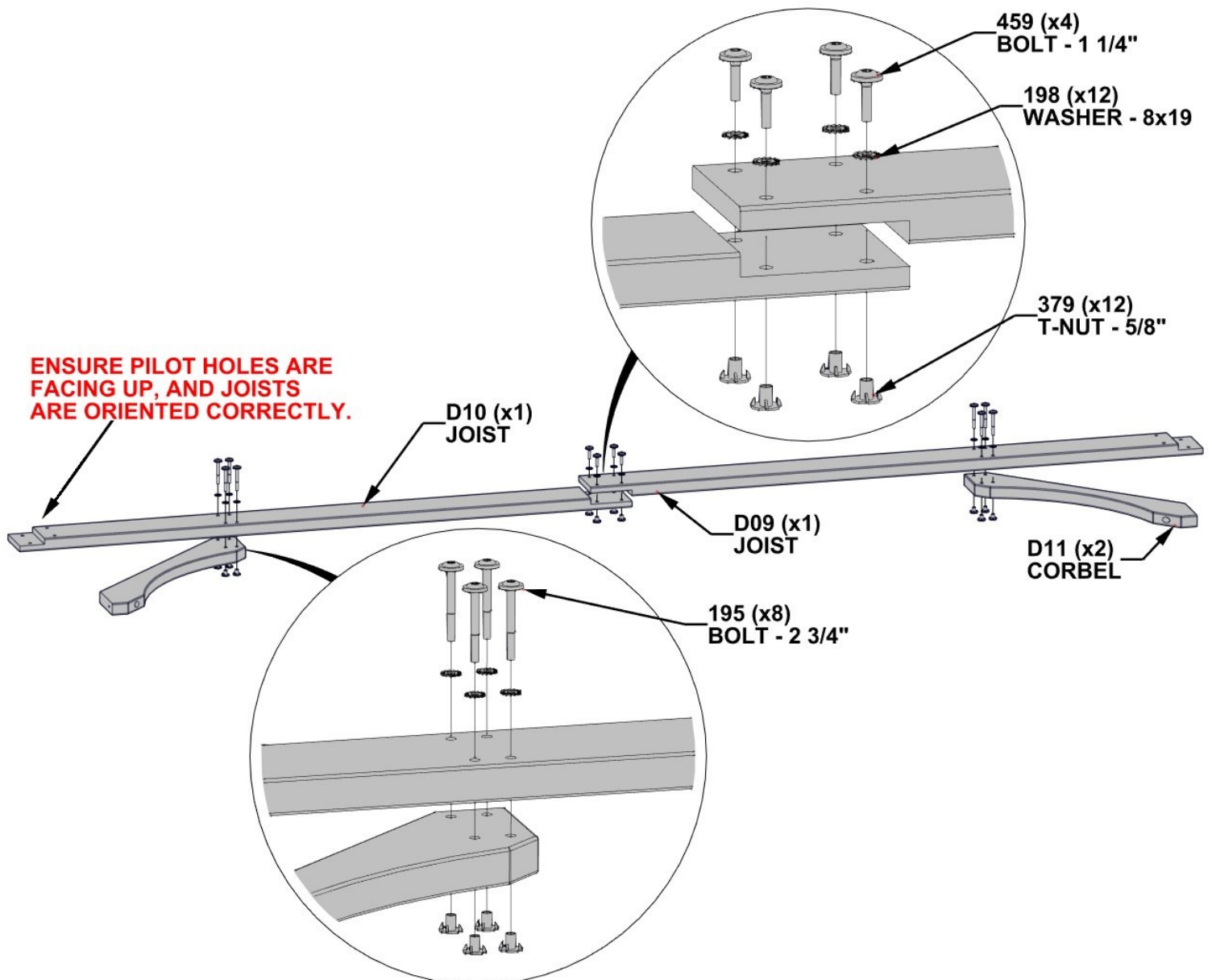


**H100198 | WASHER LOCK
EXT BLK 8x19**
(24)



H100379 | T-NUT BLK
(24) | 5/16x5/8

COMPLETE THIS STEP TWICE.



STEP 10 - PERGOLA ASSEMBLY

D05 | JOIST END - W4L15504
(2) 1 3/8"x5 1/4"x56 1/4" (36x134x1431)

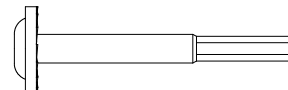
D06 | JOIST END - W4L15505
(2) 1 3/8"x5 1/4"x56 1/4" (36x134x1431)



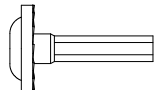
D08 | JOIST - W4L15518
(2) 1 3/8"x5 1/4"x65 3/4" (36x134x1664)



D11 | CORBEL - W4L15510
(4) 1 3/8"x5 1/4"x32 1/2" (36x134x826)



H100195 | BOLT WH BLK
(16) 5/16x2 3/4



H100459 | BOLT WH BLK
(16) 5/16x1 1/4

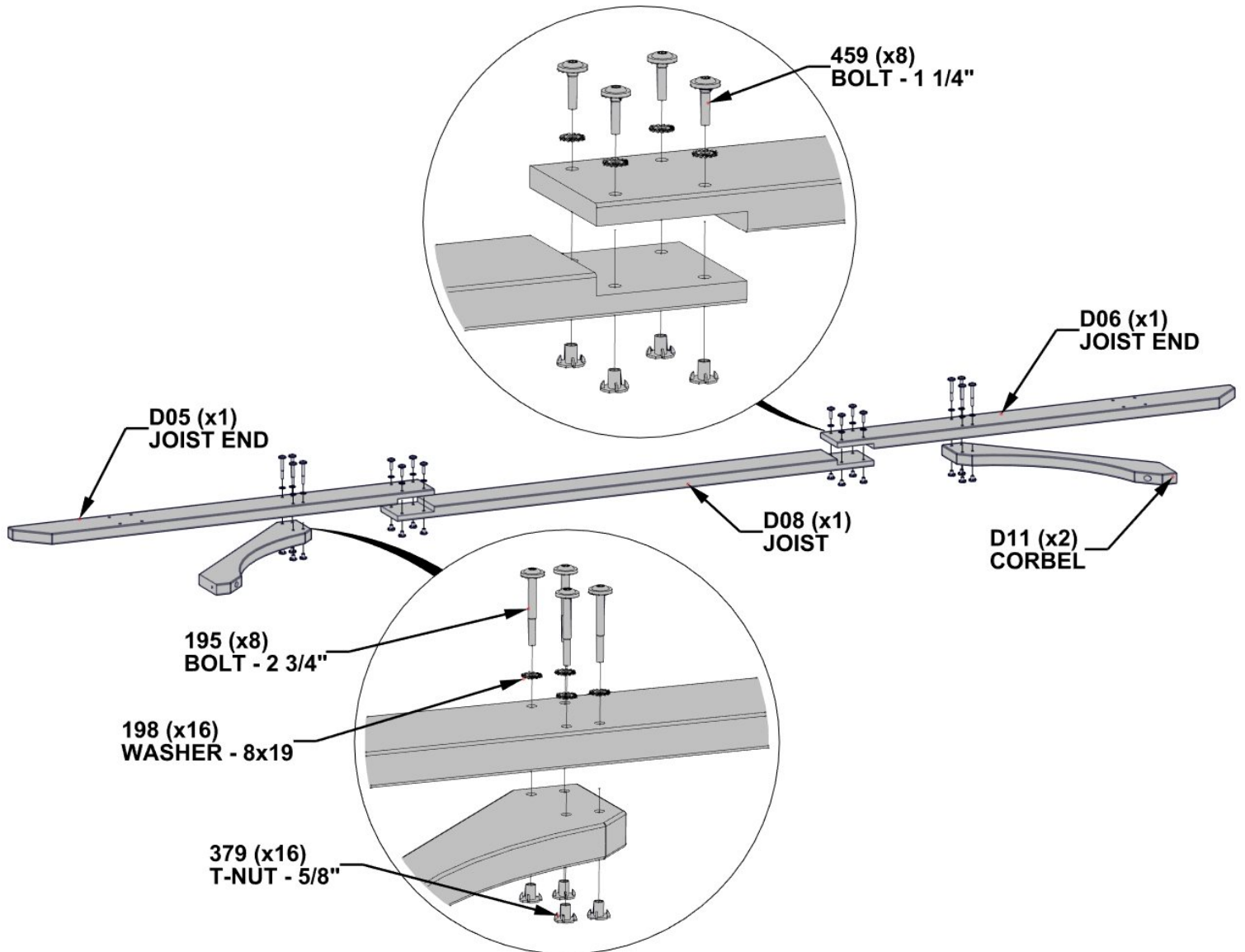


H100198 | WASHER LOCK
(32) EXT BLK 8x19

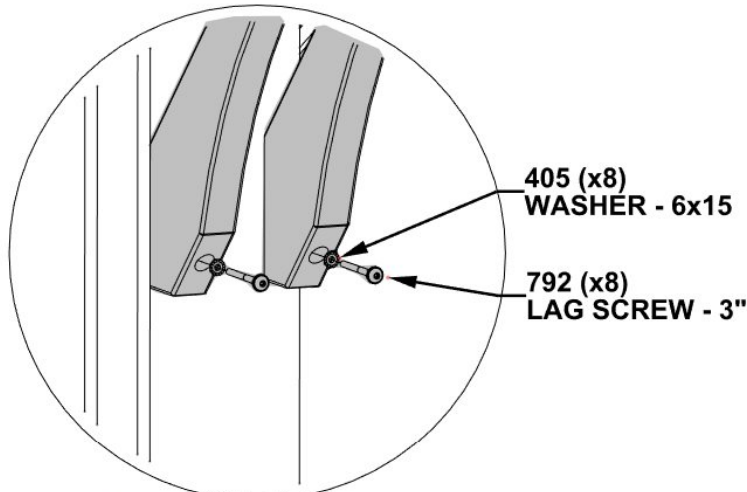
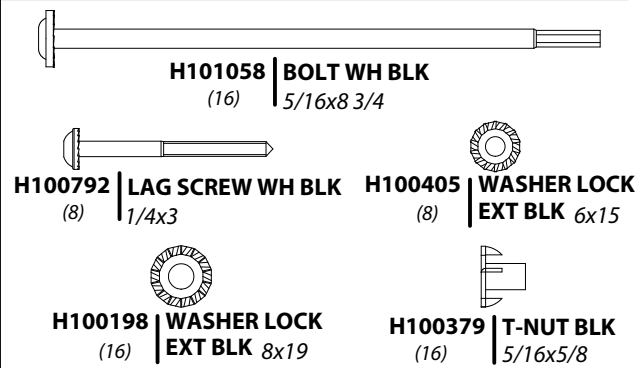
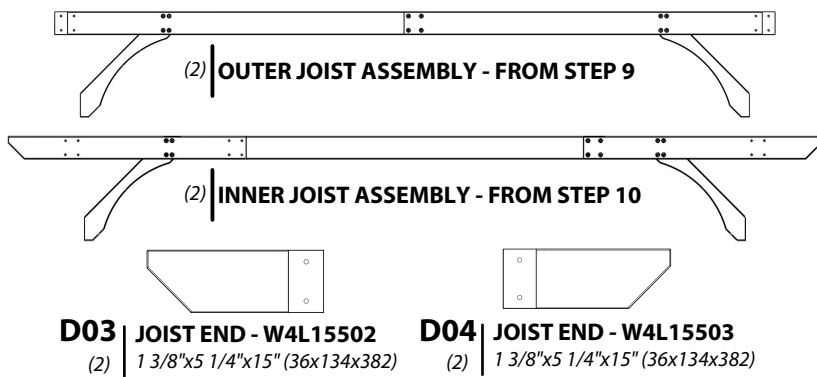


H100379 | T-NUT BLK
(32) 5/16x5/8

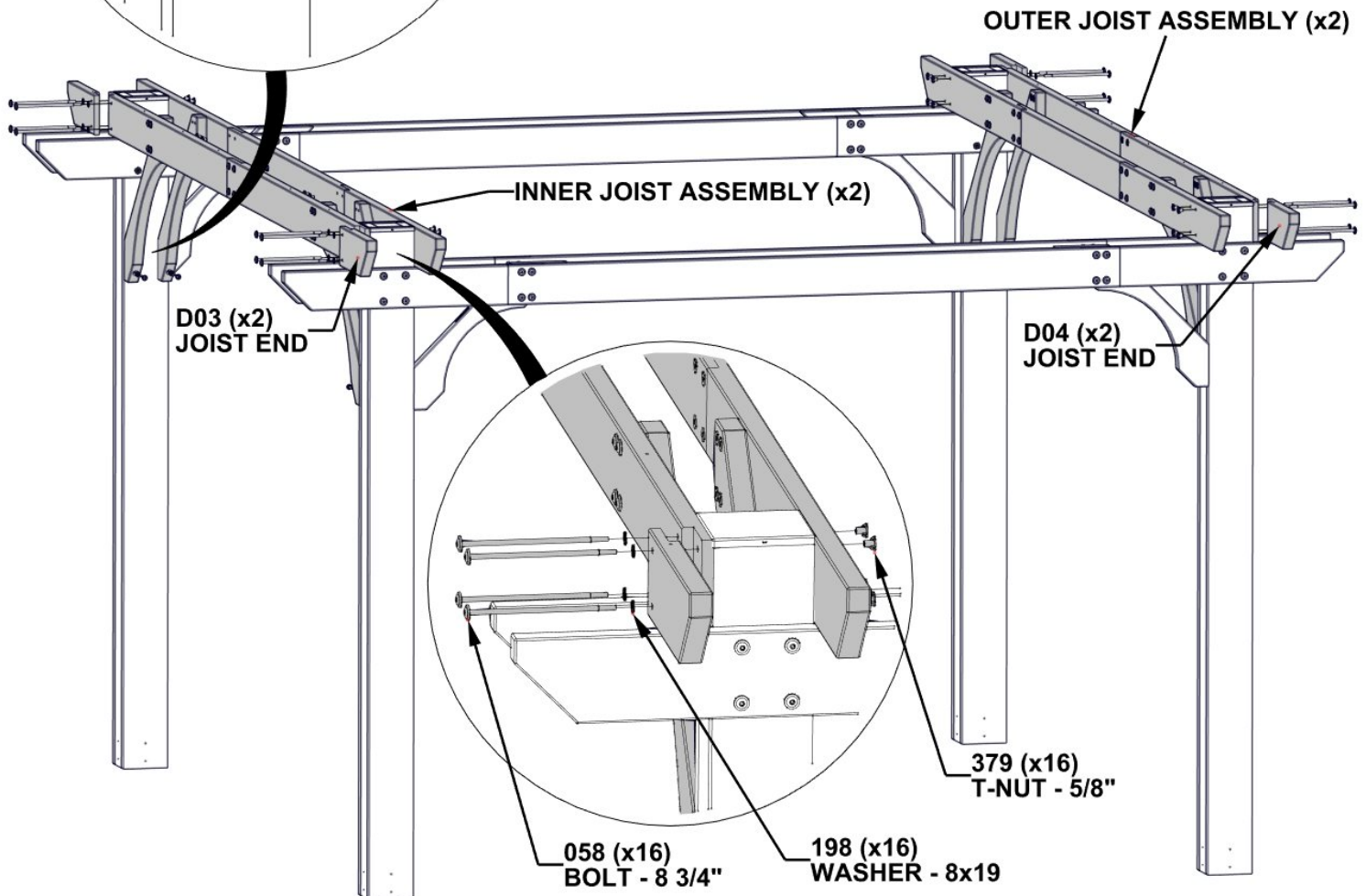
COMPLETE THIS STEP TWICE.



STEP 11 - PERGOLA ASSEMBLY



WITH BOTH UPRIGHT ASSEMBLIES STANDING, BOLT INNER AND OUTER JOIST ASSEMBLIES TO ONE SIDE. THEN BOLT ON JOIST ASSEMBLIES TO OTHER SIDE.



SQUARE UP ALL POSTS TO JOISTS AND FULLY TIGHTEN ALL BOLTS AND SCREWS.

NOTE: A THIRD PERSON IS HELPFUL FOR THIS STEP.

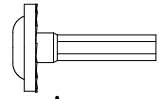
STEP 12 - PERGOLA ASSEMBLY



D14 | SLOTTED JOIST - W4L15515
(8) 1 3/8"x5 1/4"x55 3/4" (36x134x1416)



D15 | SLOTTED JOIST - W4L15517
(8) 1 3/8"x5 1/4"x89 1/2" (36x134x2274)



H100459 | BOLT WH BLK
(32) 5/16x1 1/4

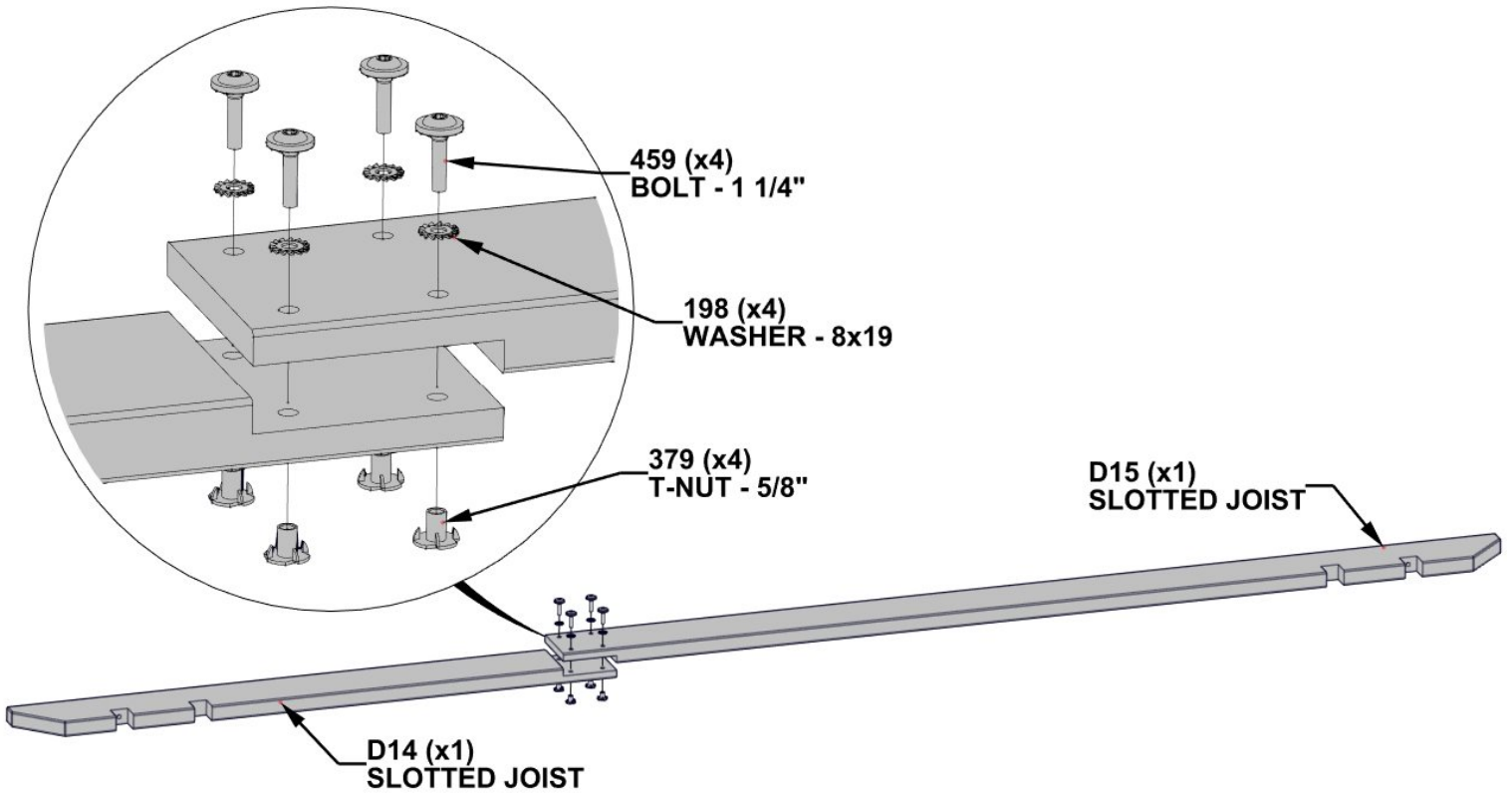


H100198 | WASHER LOCK
(32) EXT BLK 8x19

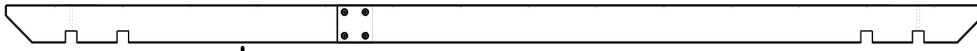


H100379 | T-NUT BLK
(32) 5/16x5/8

COMPLETE THIS STEP EIGHT TIMES.



STEP 13 - PERGOLA ASSEMBLY



(8) SLOTTED JOIST ASSEMBLY - FROM PREVIOUS STEPS

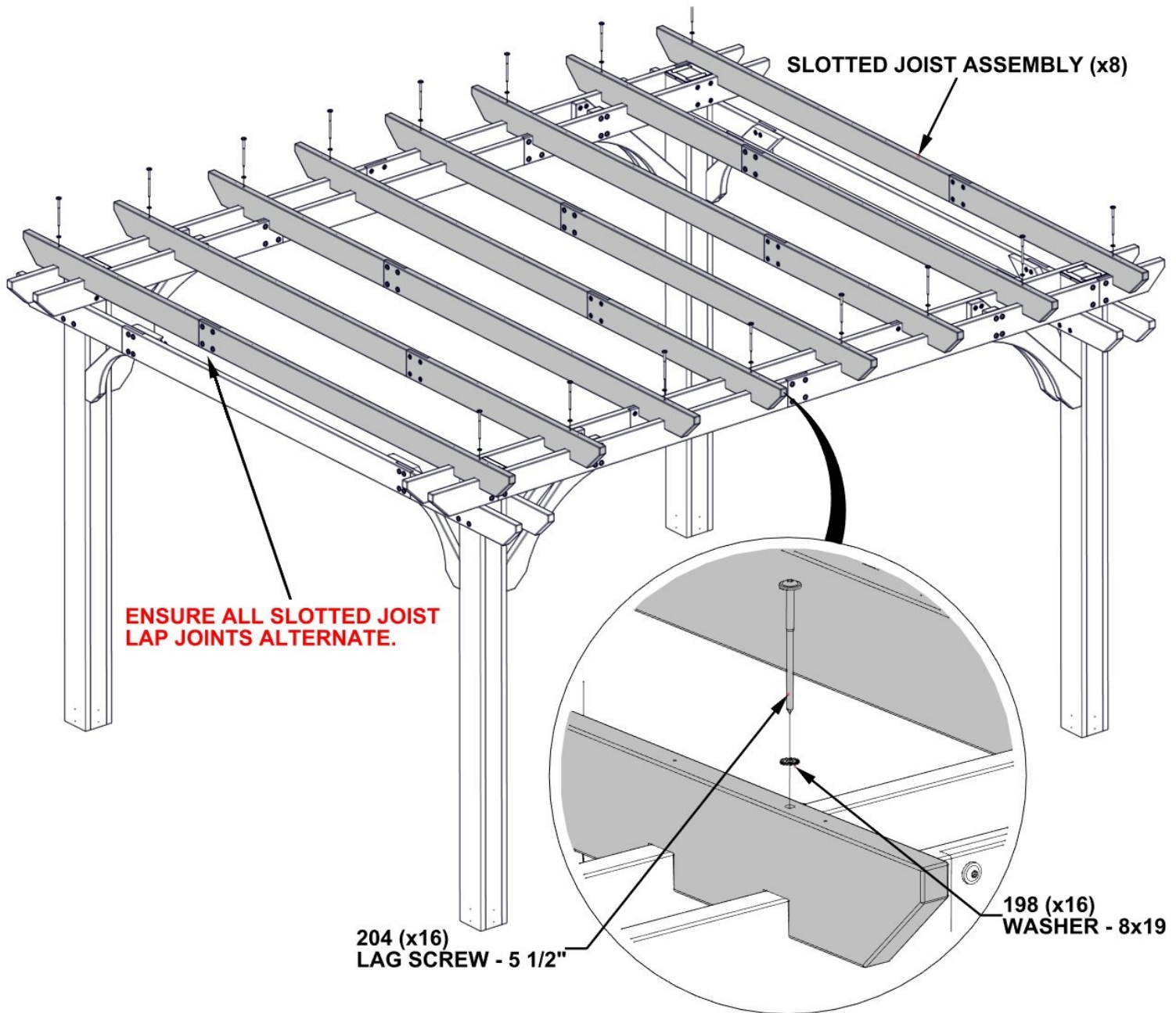


H100204 | LAG SCREW WH BLK
(16) 5/16x5 1/2

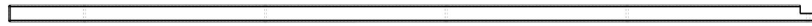


H100198 | WASHER LOCK
(16) EXT BLK 8x19

**ATTACH SLOTTED JOIST ASSEMBLIES USING
PILOT HOLES IN OUTER JOIST ASSEMBLY.**



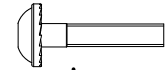
STEP 14 - PERGOLA ASSEMBLY



P10 | PURLIN END - W4L15521
 (14) | 1 3/8"x1 3/8"x68 3/4" (36x36x1746)



P11 | PURLIN END - W4L15522
 (14) | 1 3/8"x1 3/8"x89 1/2" (36x36x2274)



H100397 | BOLT WH BLK
 (14) | 1/4x1 1/4

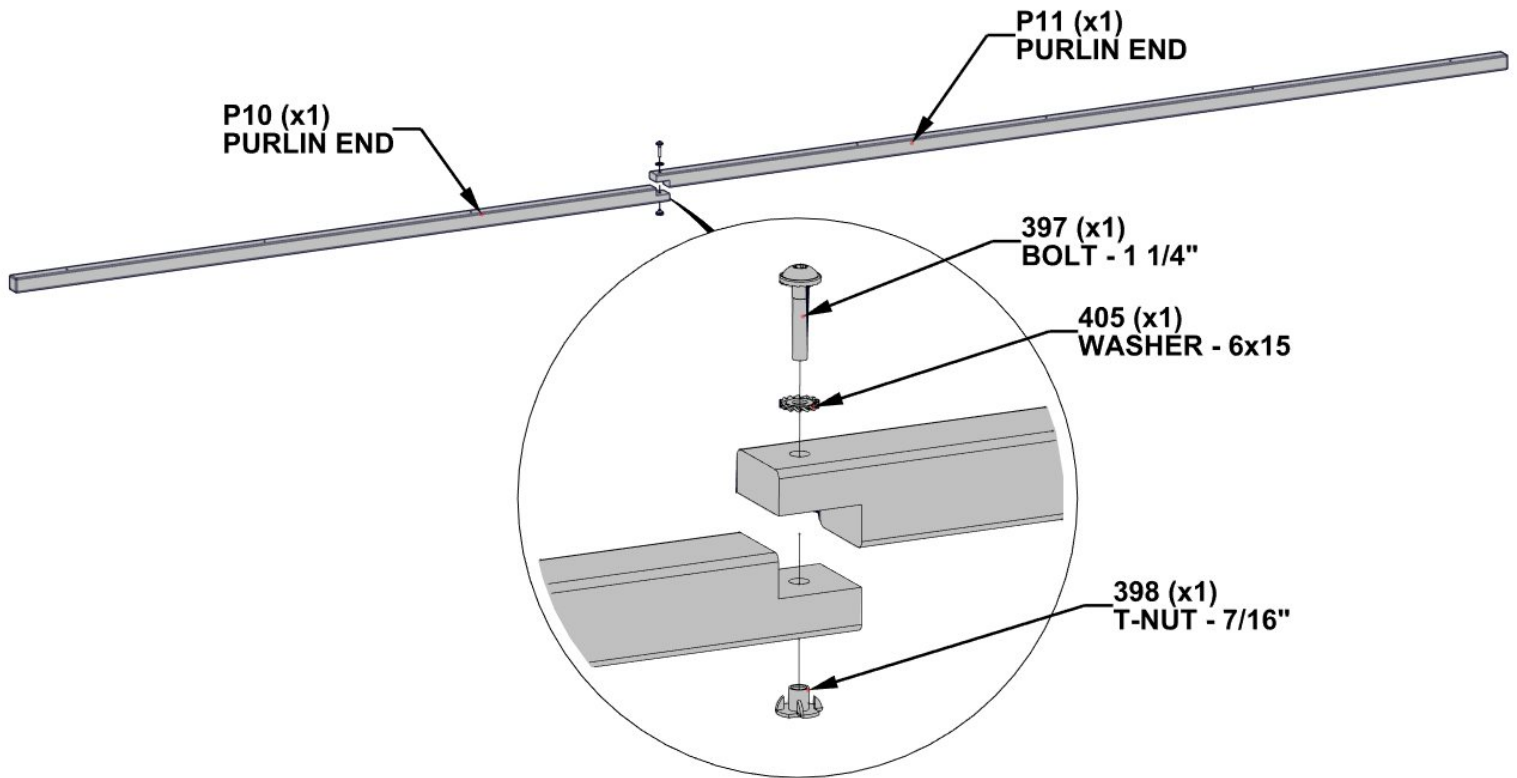


H100405 | WASHER LOCK
 (14) | EXT BLK 6x15



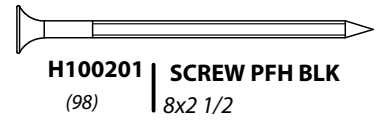
H100398 | T-NUT BLK
 (14) | 1/4x7/16

COMPLETE THIS STEP FOURTEEN TIMES.



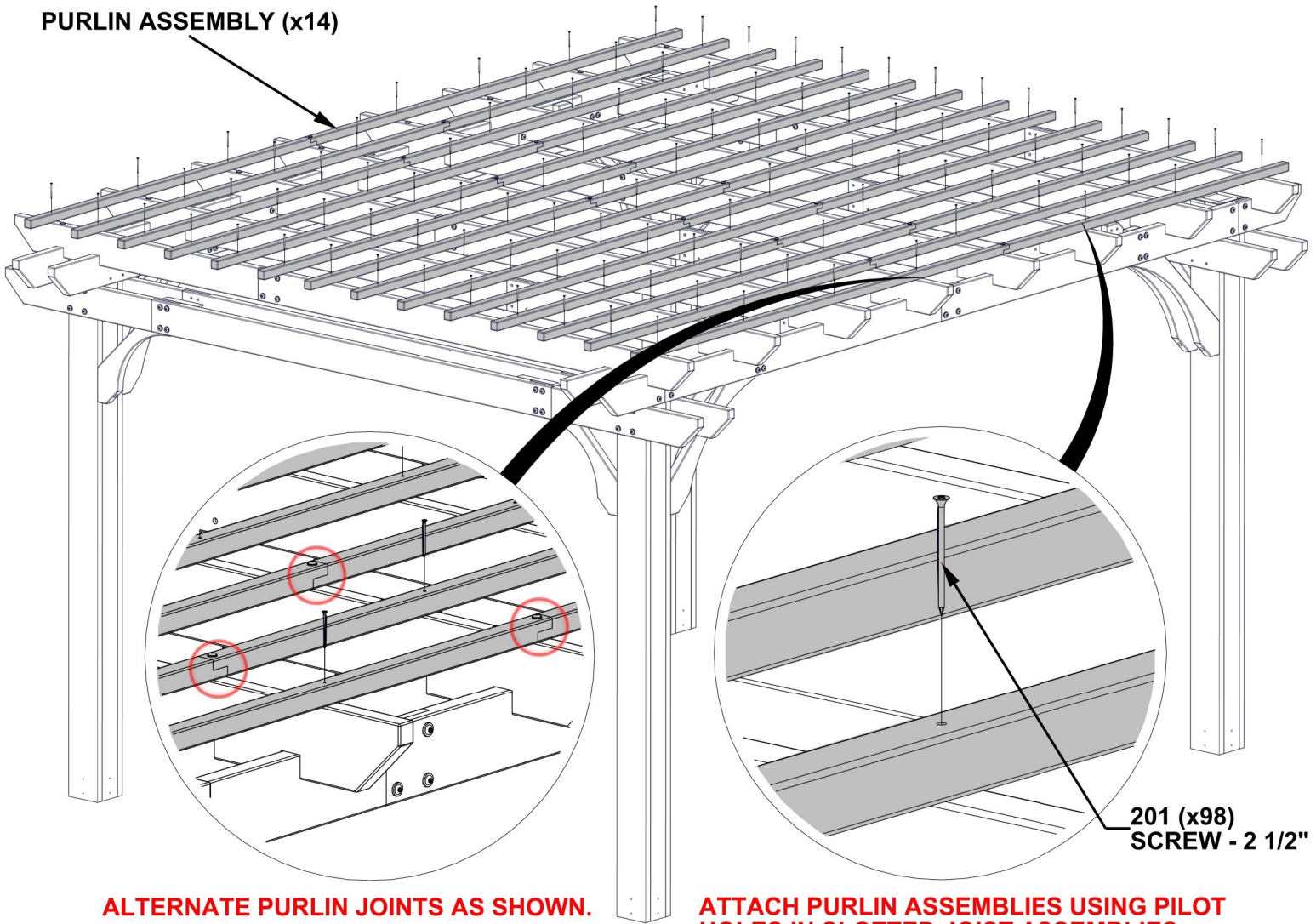
STEP 15 - PERGOLA ASSEMBLY

(14) PURLIN ASSEMBLY - FROM PREVIOUS STEPS

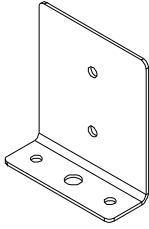


WHEN LIFTING UP EACH PURLIN ASSEMBLY ENSURE THAT JOINTS ARE SUPPORTED AND PURLIN IS KEPT LEVEL.

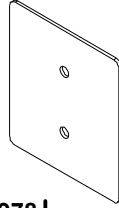
PURLIN ASSEMBLY (x14)



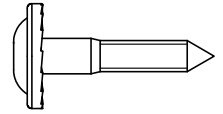
STEP 16 - PERGOLA ASSEMBLY



A4M00977 | **POST ANCHORING PLATE**
(x8)

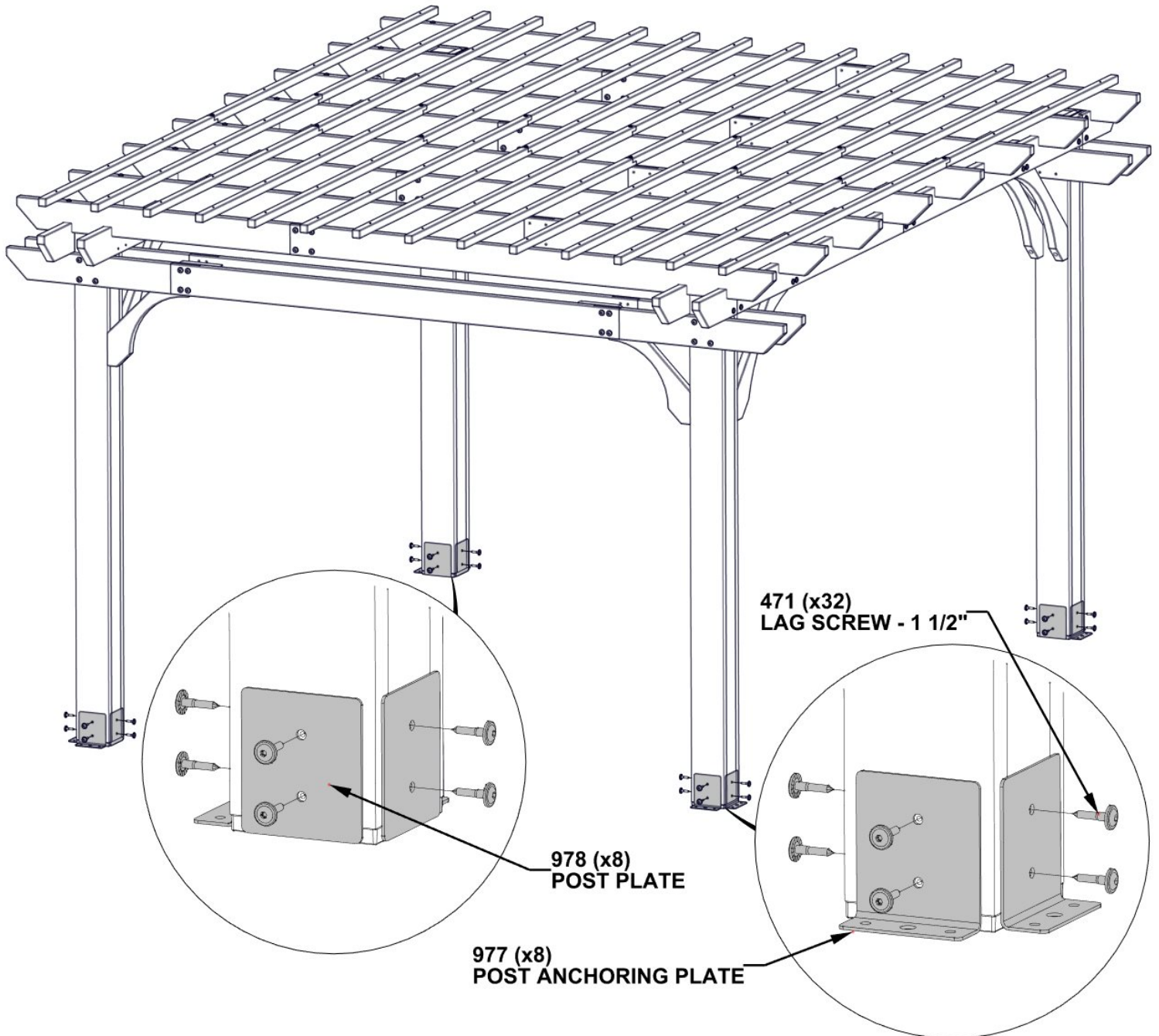


A4M00978 | **POST PLATE**
(x8)



H100471 | **LAG SCREW WH BLK**
(32) | 5/16x1 1/2

REPEAT THIS STEP FOR EACH POST.



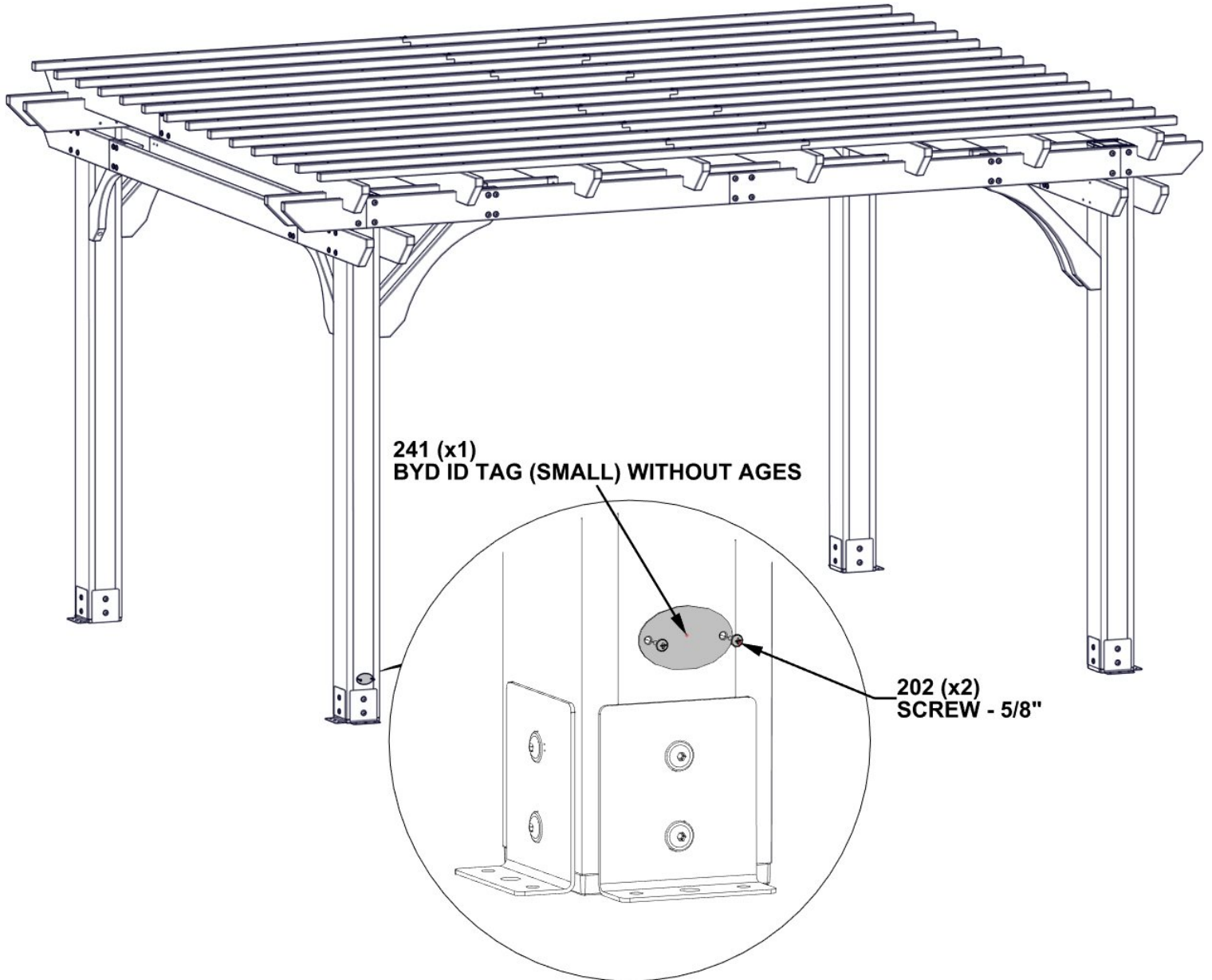
STEP 17 - PERGOLA ASSEMBLY



A100241 | **BYD ID TAG**
(1) | **(SMALL)**
WITHOUT AGES



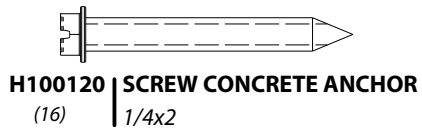
H100202 | **SCREW PWH BLK**
(2) | **8x5/8**



241 (x1)
BYD ID TAG (SMALL) WITHOUT AGES

202 (x2)
SCREW - 5/8"

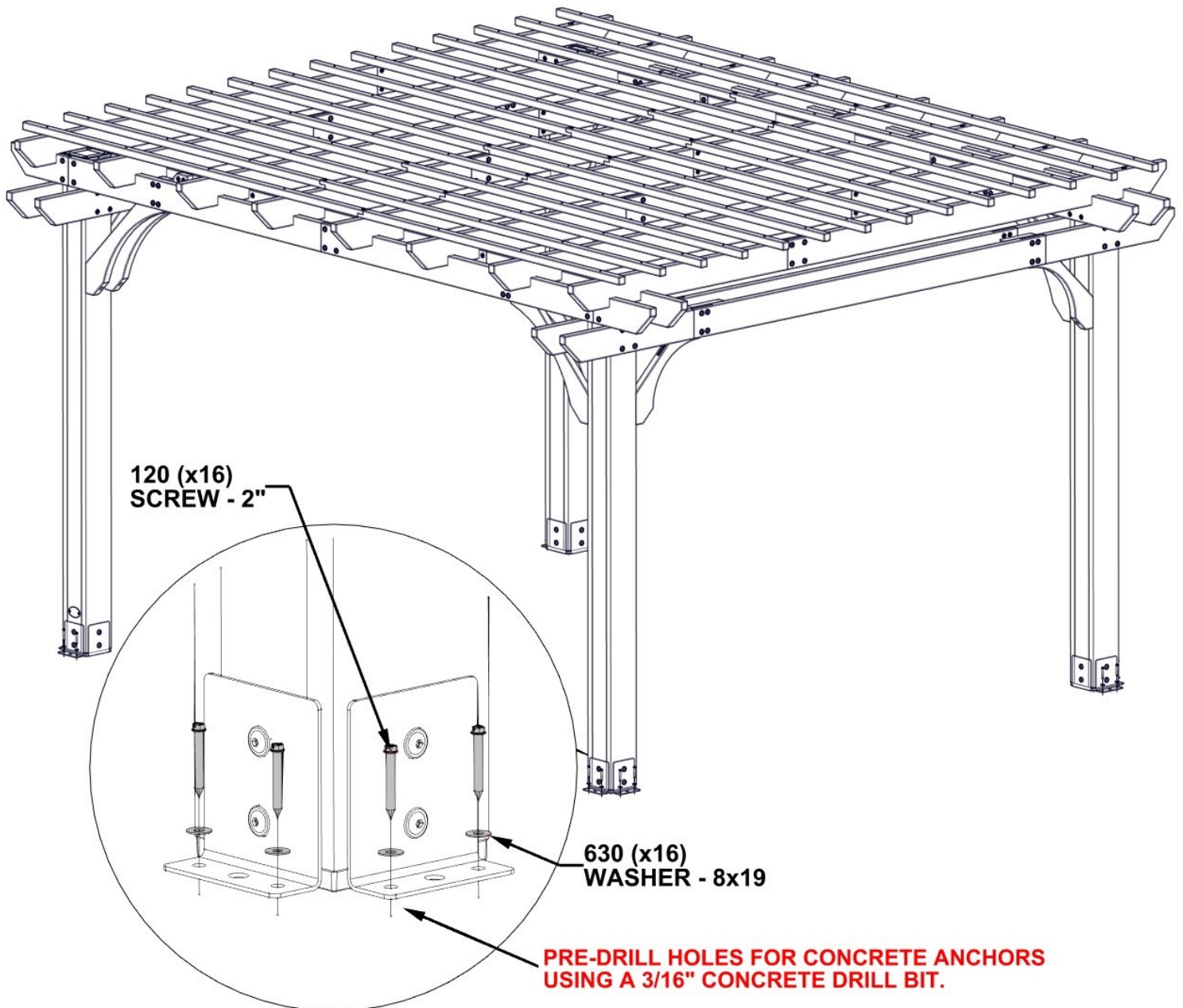
STEP 18 - PERGOLA ASSEMBLY



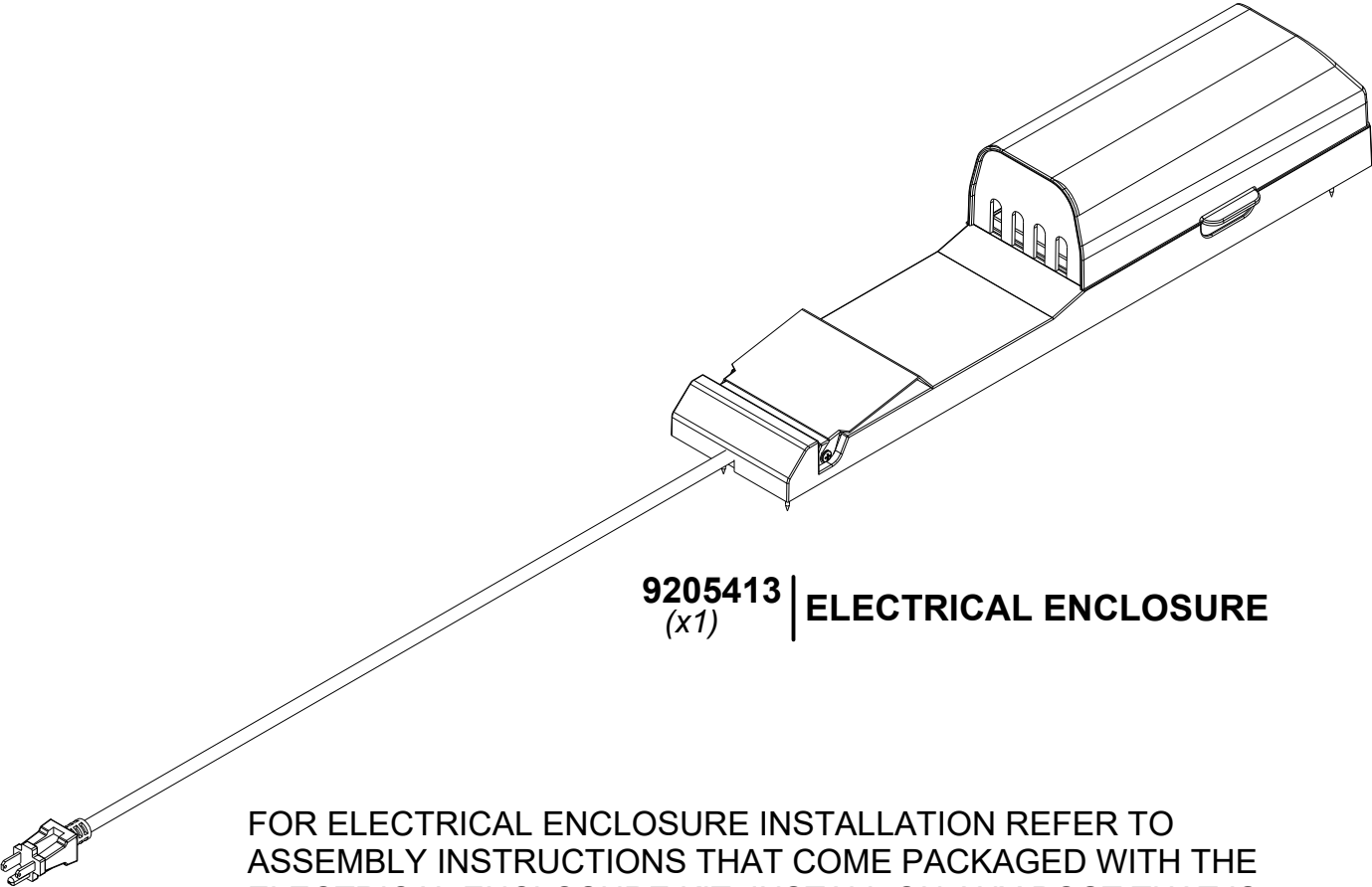
REPEAT THIS STEP FOR EACH POST FOOT.

MANUFACTURER RECOMMENDS INSTALLATION ON CONCRETE SURFACE OR CONCRETE POST PAD AS SHOWN BELOW.

FOR INSTALLATION ON WOOD DECKS, YOU MUST ENSURE THERE IS AMPLE STRUCTURAL SUPPORT UNDER THE DECK. HARDWARE NOT INCLUDED FOR DECK ATTACHMENT.



ELECTRICAL ENCLOSURE



9205413 | **ELECTRICAL ENCLOSURE**
(x1)

FOR ELECTRICAL ENCLOSURE INSTALLATION REFER TO ASSEMBLY INSTRUCTIONS THAT COME PACKAGED WITH THE ELECTRICAL ENCLOSURE KIT. INSTALL ON ANY POST THAT IS DESIRED. FOLLOW DIRECTIONS FOR PROPER INSTALLATION.