



MANUFACTURED BY:
Backyard Discovery
3305 Airport Drive, Pittsburg, KS 66762
800-856-4445

Basepoint Business Centre: Rivermead Drive, Westlea, Swindon SN5 7EX Phone: 0800-118-2476
J.P. Coenstraat 7, The Bridge, The Hague, 2595 WP, Netherlands Phone: 0800-567-8990

100QT ACACIA COOLER

Outdoor Product

Model # 2204010B

The assembly manual must be retained
since it contains important information



Please visit www.backyarddiscovery.com

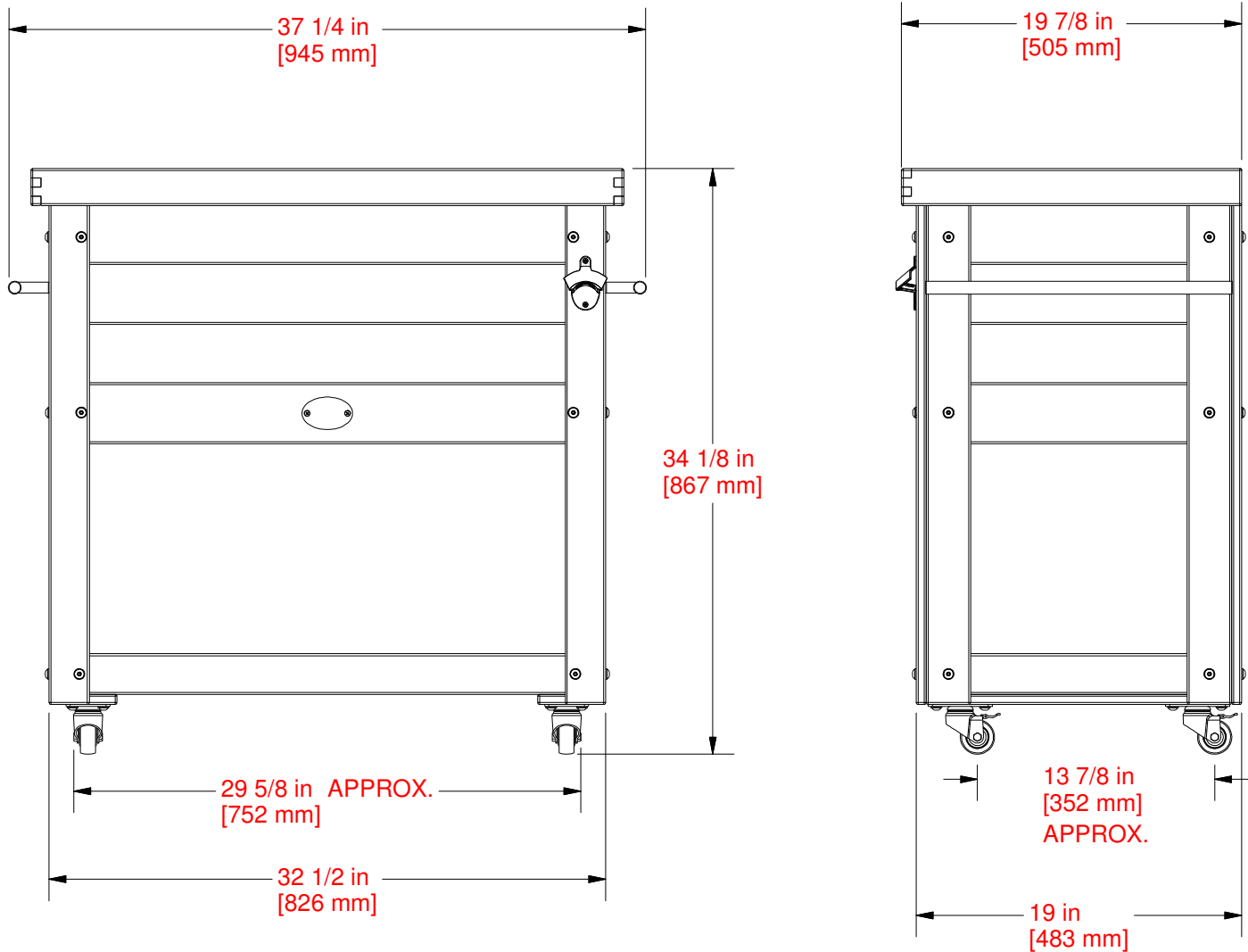
For the most up to date assembly manual, to register your set, or to order replacement parts

Para obtener instrucciones en español, visite www.backyarddiscovery.com

Made in Vietnam

INS-2204010B-A-100QT OUTDOOR COOLER-ENG 10/17/22

Owner's Manual - Basic Setup Dimensions & Assembly Notes



Important Assembly Notes

- 1) While assembling unit, take time before and after each step to make sure unit is level. If unit is not level, assembly will be difficult and improper assembly may result. Extra care must be taken to ensure the unit is square.
- 2) Pay close attention to the **ITEMS NEEDED FOR EACH STEP**. They can be a valuable aid when sorting your wood and hardware. Assembly will be made easier if items are sorted by phase.
- 3) Pay close attention to make sure you are using the correct hardware in the correct step. Using incorrect hardware may result in improper assembly.
- 4) Whenever a T-nut is used, follow these directions. Place T-nut in pre-drilled hole. Tap in with hammer. Place bolt with washers in the opposite side. Hand tighten to make sure the bolt is in the T-nut. **DO NOT** over tighten.
- 5) Read each step thoroughly. The written steps may include important information not shown in the illustrations.

Owner's Manual - Parts Identification

Wood Components (Not to Scale)



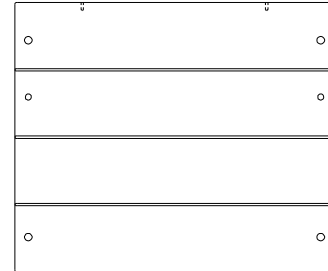
MN1 | UPRIGHT - W4L17097
(x4) | 5/8"x2 3/8"x29 1/4" (15x60x742)



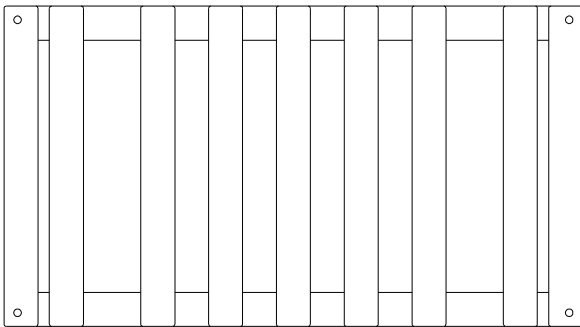
MN3 | UPRIGHT - W4L17098
(x4) | 5/8"x2 5/8"x29 1/4" (15x66x742)



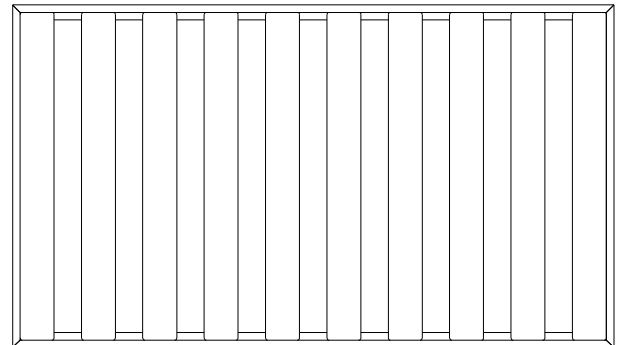
PB1 | PANEL BOARD - W4L17099
(x2) | 5/8"x14"x31 3/8" (15x356x796)



PB2 | PANEL BOARD - W4L17100
(x2) | 5/8"x14"x16 5/8" (15x356x423)



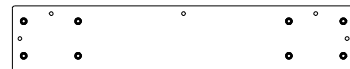
CP1 | COOLER PANEL - W2A03705
(x1) | 1 1/8"x16 5/8"x30 3/16" (28x423x766)



CP2 | COOLER SHELF - W2A03706
(x1) | 2 3/8"x17 13/16"x31 5/16" (60x453x796)



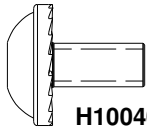
TA01 | TOP ASSEMBLY - W2A03709
(x1) | 3 3/8"x19 7/8"x34 5/8" (86x505x880)



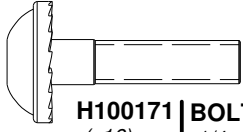
MN2 | CASTER BOARD - W2A03707
(x2) | 9/16"x3 3/8"x17 13/16" (15x86x453)

Owner's Manual - Parts Identification

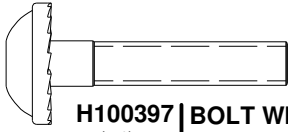
Hardware Components



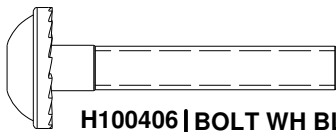
H100401 | BOLT WH BLK
(x20) | 1/4x1/2



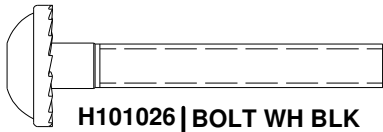
H100171 | BOLT WH BLK
(x16) | 1/4x1



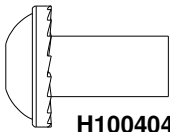
H100397 | BOLT WH BLK
(x4) | 1/4x1 1/4



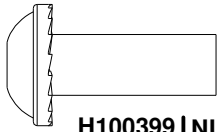
H100406 | BOLT WH BLK
(x4) | 1/4x1 1/2



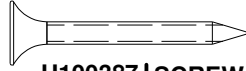
H101026 | BOLT WH BLK
(x8) | 1/4x1-3/4



H100404 | NUT BARREL WH BLK
(x8) | 1/4x5/8



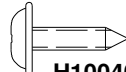
H100399 | NUT BARREL WH BLK
(x4) | 1/4x7/8



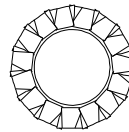
H100387 | SCREW PFH BLK
(x12) | 8x1 1/4



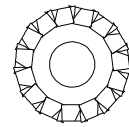
H100203 | SCREW PFH BLK
(x2) | 8x1/2



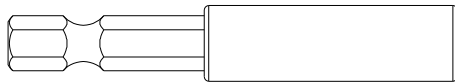
H100408 | SCREW PWH BLK
(x10) | 8x1/2



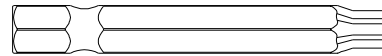
H100400 | WASHER LOCK EXT BLK
(x12) | 8x15



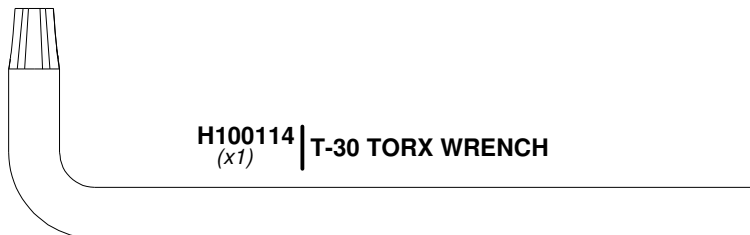
H100405 | WASHER LOCK EXT BLK
(x24) | 6x15



H101100 | MAGNETIC DRIVER
(x1)



H100147 | T-30 TORX BIT
(x1)



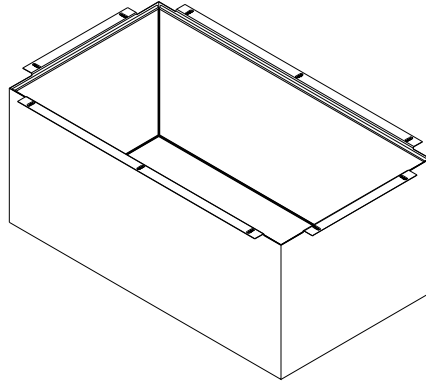
H100114 | T-30 TORX WRENCH
(x1)

Owner's Manual - Parts Identification

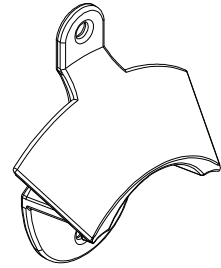
Accessory Components (Not to Scale)



A100241
(x1) | **BYD ID TAG
(SMALL)
WITHOUT AGES**



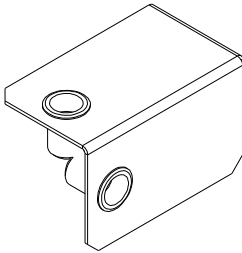
A6P00428
(x1) | **COOLER LINER**



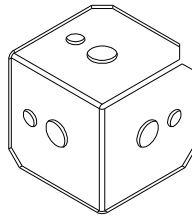
A4M01187
(x1) | **BOTTLE CAP OPENER**



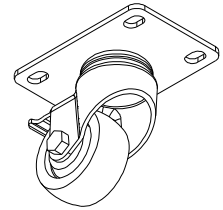
A4M01173
(x2) | **HANDLE**



A4M01171
(x4) | **THREADED BRACKET**



A4M00706
(x4) | **3-SIDED-90°
BRACKET - BLK**



A4M01186
(x4) | **CASTER 3"**



A6P00445
(x1) | **BYD COOLER COVER**

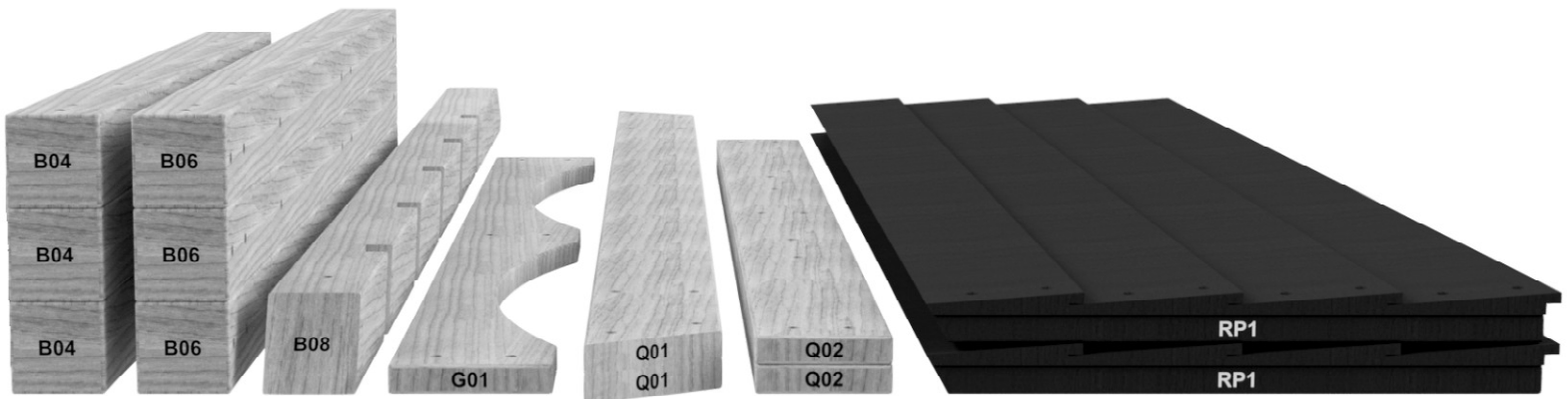
PRE-ASSEMBLY STEP 1 - SORTING PARTS

It is critical for ease of assembly that you take the time to sort and organize the wood and hardware.

WOOD PARTS:

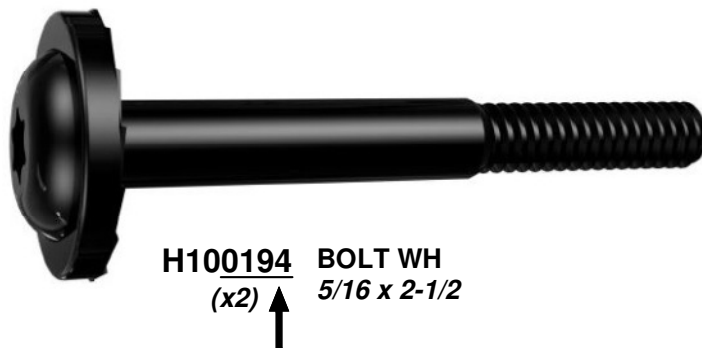
- Organize wood parts by the three-digit, alpha-numeric number stamped on each board (ex. P01).
- If there are multiple boards with the same stamped number, stack those pieces together.
- Stamps can be found on the flat surface of the boards or on the end of the boards.
- Allow yourself plenty of room - the wood pieces can take up a significant amount of space.

NOTE: CARTONS ARE NOT ORGANIZED BY BOARD NUMBER.



HARDWARE PARTS:

- We recommend that you have a separate table to organize the hardware.
- Hardware bags are printed with a seven-digit, alpha-numeric part number.
- You can organize your hardware by part number or group by hardware type (i.e. bolts, nuts, etc.).
- During assembly you only need to reference the last four digits of the number.



PRE-ASSEMBLY STEP 2 - TOOLS REQUIRED



**Cordless Drill or
Electric Drill**



**Drill Attachments:
Phillips Head**



**1/8", 3/16", 3/8" & 7/16"
Drill Bits**



Phillips Screw Driver



Open End Wrenches 1/2" & 9/16"



**3/8" Drive Ratchet, 1/2" &
9/16" STD Sockets 1/2" & 9/16" Deep
Sockets**



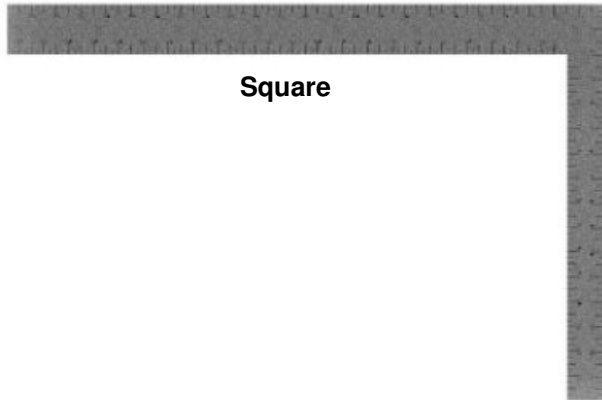
Claw Hammer



Rubber Mallet - Optional



Tape Measure



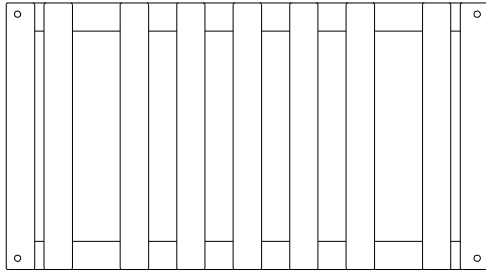
Square



Level 24"

STEP 1 - COOLER ASSEMBLY

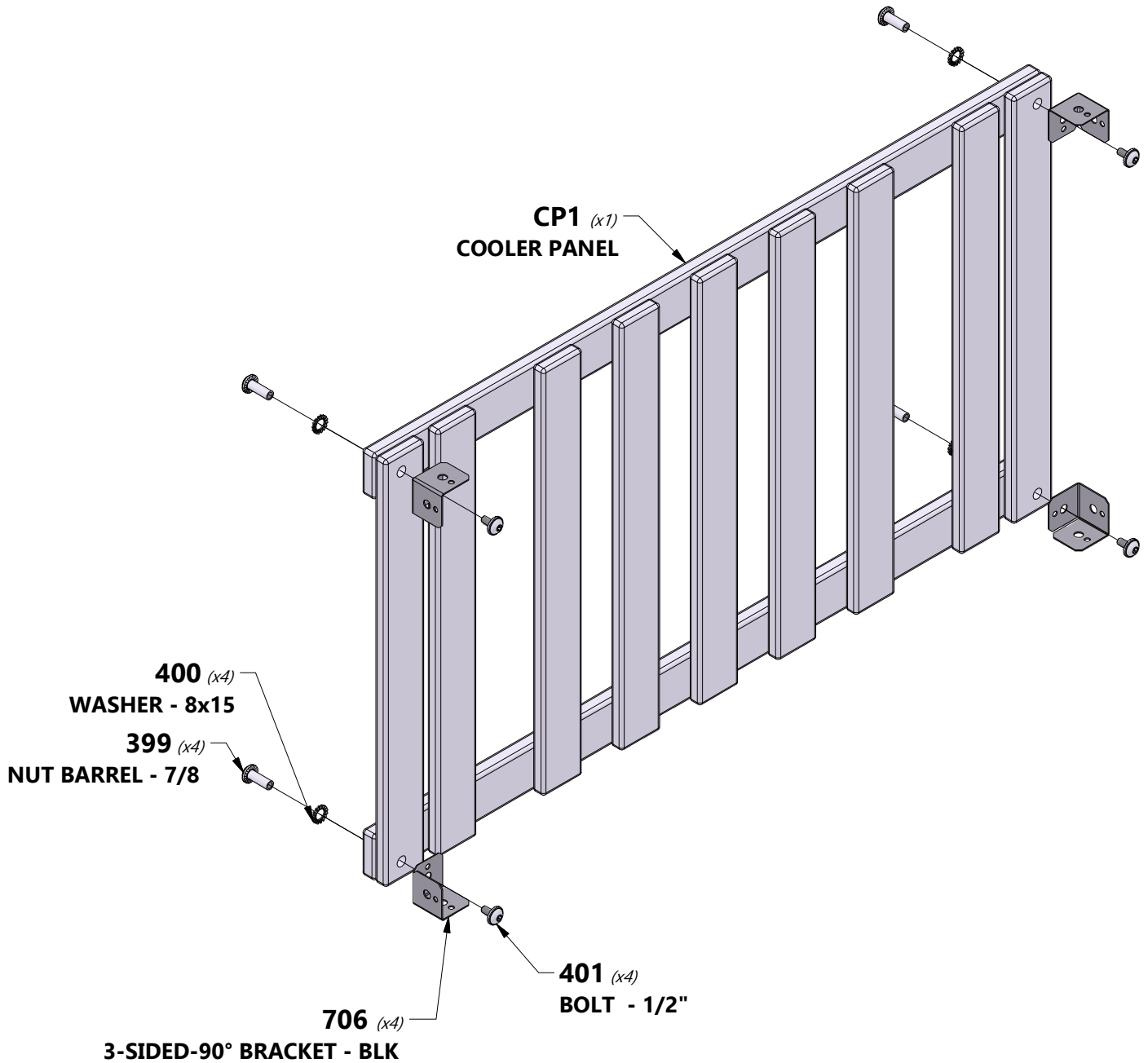
QTY	PART NUMBER	DESCRIPTION
4	H100399	NUT BARREL WH 1/4x7/8 BLK
4	H100400	WASHER LOCK EXT 8x15 BLK
4	H100401	BOLT WH 1/4x1/2 BLK



CP1 | COOLER PANEL - W2A03705
(x1) | 1 1/8"x16 5/8"x30 3/16" (28x423x766)

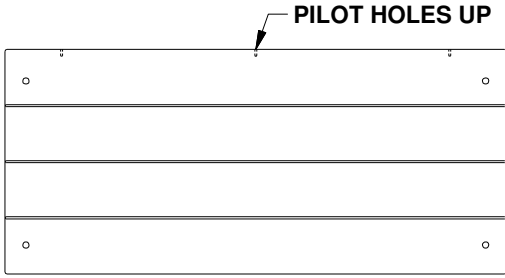


A4M00706 | 3-SIDED-90° BRACKET - BLK
(x4)



STEP 2 - COOLER ASSEMBLY

QTY	PART NUMBER	DESCRIPTION
2	H100171	BOLT WH 1/4x1 BLK
2	H100400	WASHER LOCK EXT 8x15 BLK
2	H100404	NUT BARREL WH 1/4x5/8 BLK
2	H100405	WASHER LOCK EXT 6x15 BLK
2	H101026	BOLT WH 1/4x1-3/4 BLK



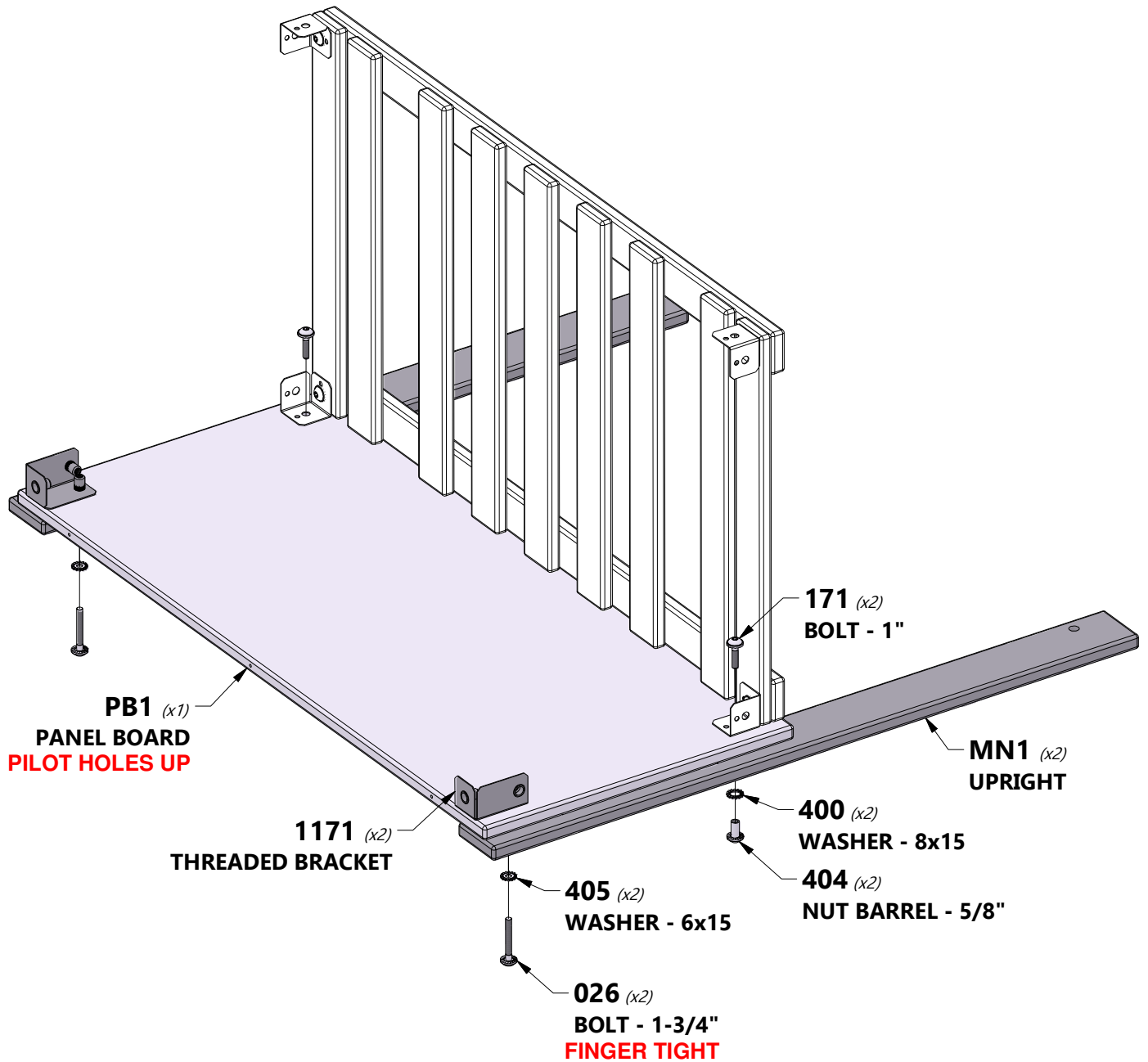
PB1 | **PANEL BOARD - W4L17099**
(x1) | 5/8"x14"x31 3/8" (15x356x796)



MN1 | **UPRIGHT - W4L17097**
(x2) | 5/8"x2 3/8"x29 1/4" (15x60x742)

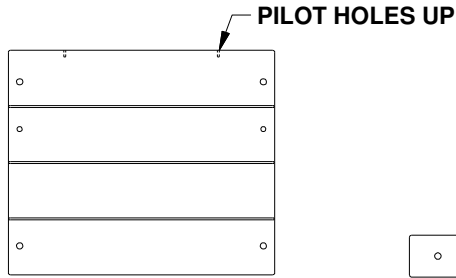


A4M01171 | **THREADED BRACKET**
(x2)



STEP 3 - COOLER ASSEMBLY

QTY	PART NUMBER	DESCRIPTION
2	H100171	BOLT WH 1/4x1 BLK
2	H100400	WASHER LOCK EXT 8x15 BLK
2	H100404	NUT BARREL WH 1/4x5/8 BLK
2	H100405	WASHER LOCK EXT 6x15 BLK
2	H101026	BOLT WH 1/4x1-3/4 BLK



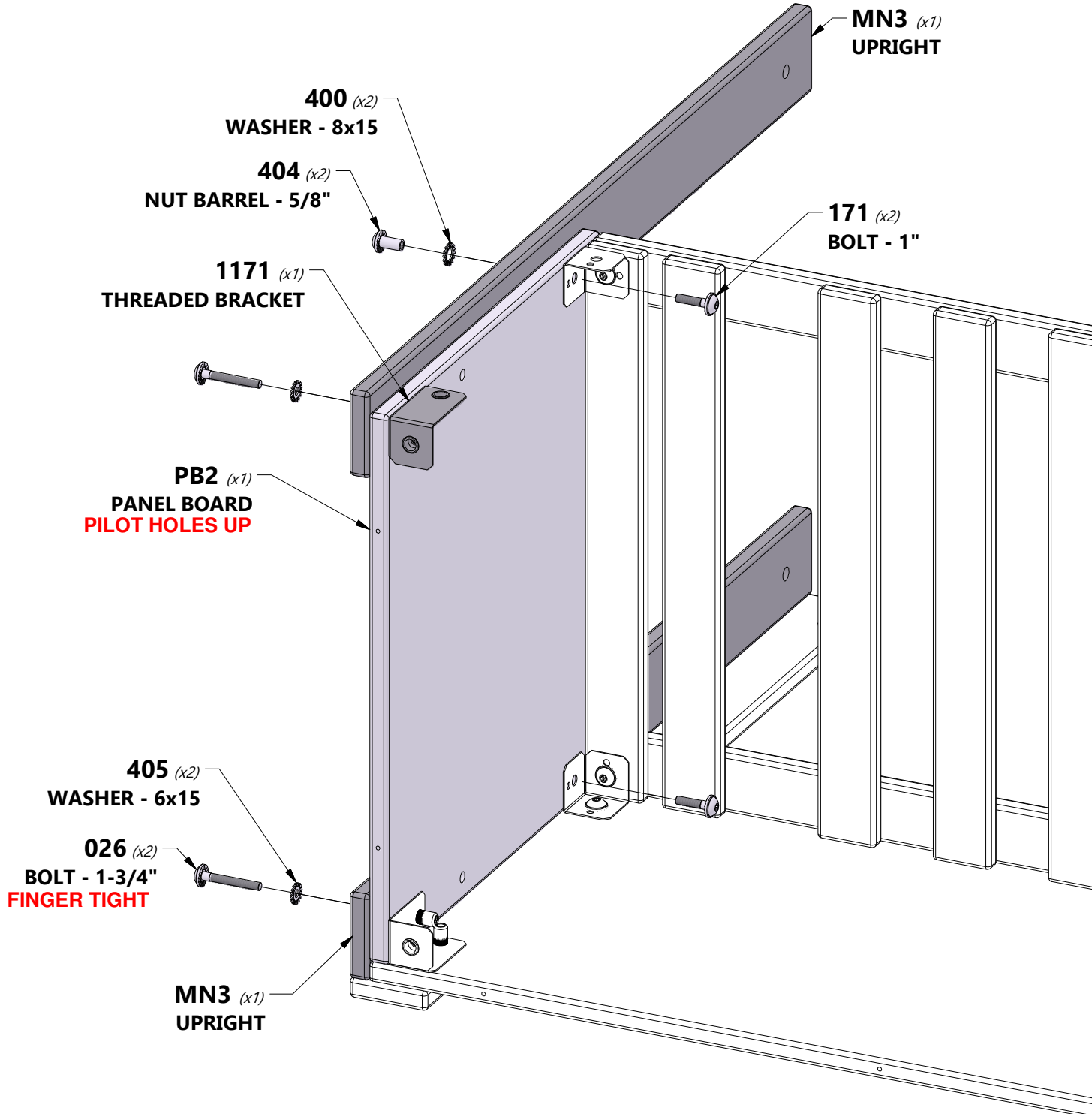
PB2 | PANEL BOARD - W4L17100
(x1) | 5/8"x14"x16 5/8" (15x356x423)



MN3 | UPRIGHT - W4L17098
(x2) | 5/8"x2 5/8"x29 1/4" (15x66x742)

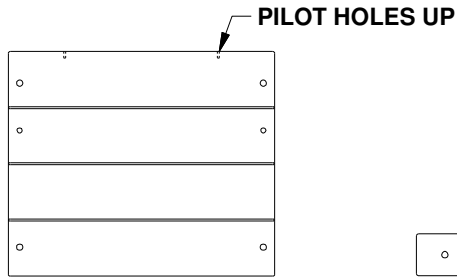


A4M01171 | THREADED BRACKET
(x1)



STEP 4 - COOLER ASSEMBLY

QTY	PART NUMBER	DESCRIPTION
2	H100171	BOLT WH 1/4x1 BLK
2	H100400	WASHER LOCK EXT 8x15 BLK
2	H100404	NUT BARREL WH 1/4x5/8 BLK
2	H100405	WASHER LOCK EXT 6x15 BLK
2	H101026	BOLT WH 1/4x1-3/4 BLK



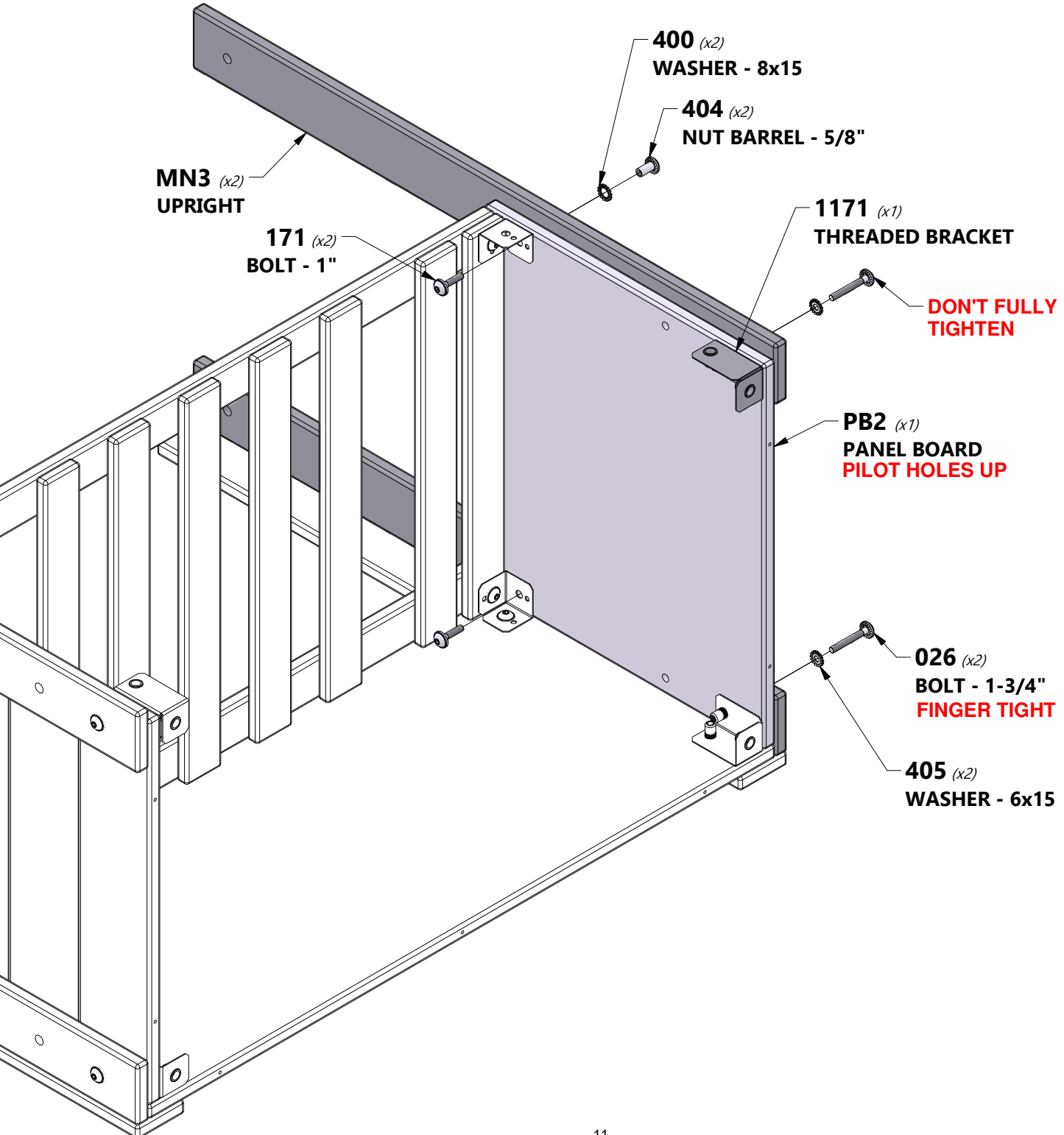
PB2 | PANEL BOARD - W4L17100
(x1) | 5/8"x14"x16 5/8" (15x356x423)



MN3 | UPRIGHT - W4L17098
(x2) | 5/8"x2 5/8"x29 1/4" (15x66x742)

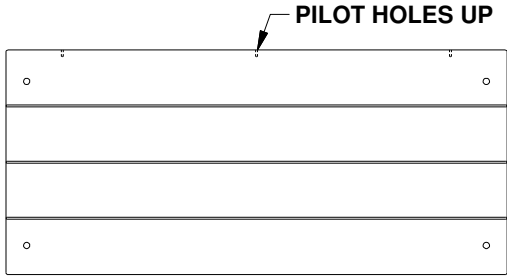


A4M01171 | THREADED BRACKET
(x1)



STEP 5 - COOLER ASSEMBLY

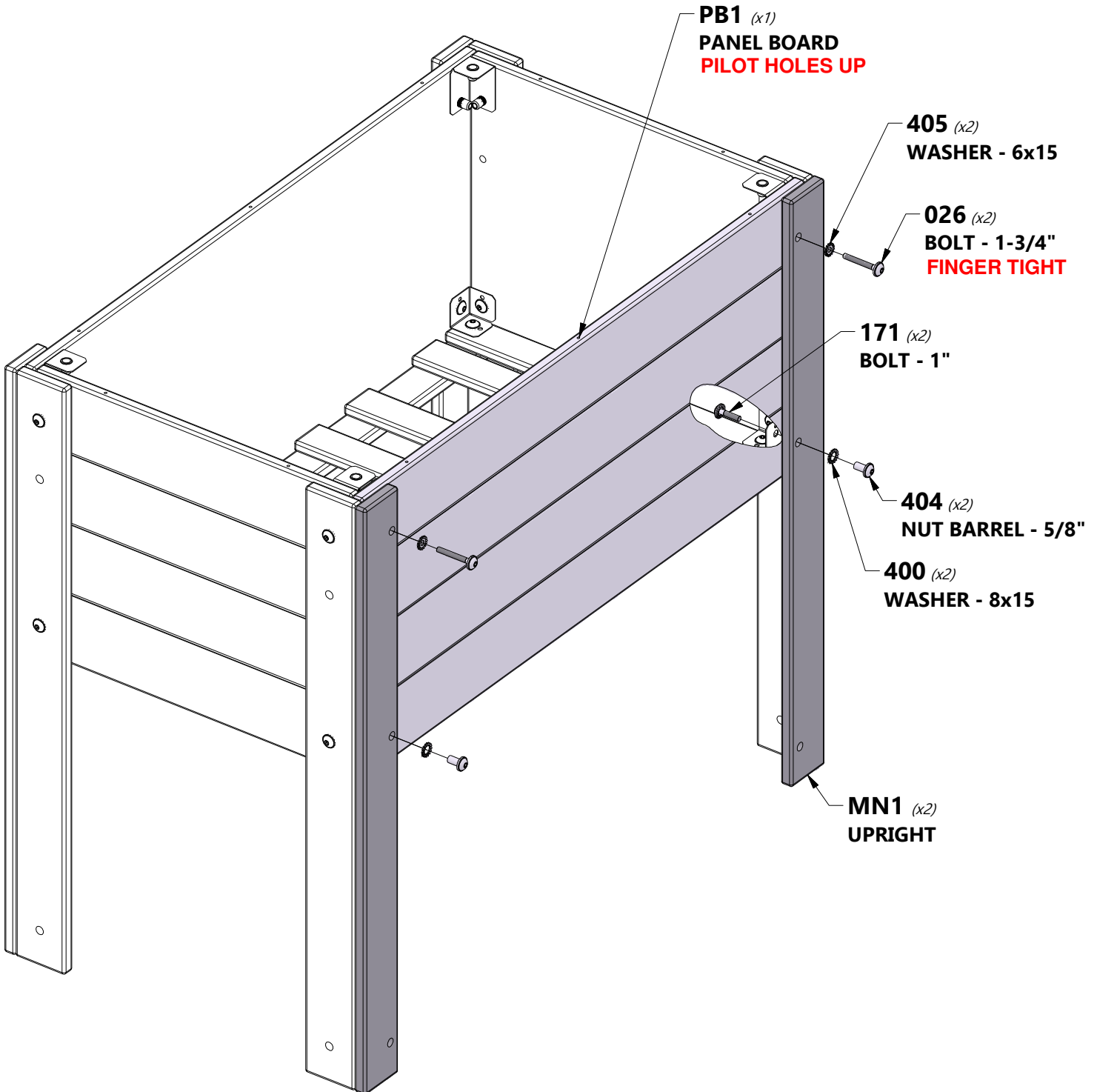
QTY	PART NUMBER	DESCRIPTION
2	H100171	BOLT WH 1/4x1 BLK
2	H100400	WASHER LOCK EXT 8x15 BLK
2	H100404	NUT BARREL WH 1/4x5/8 BLK
2	H100405	WASHER LOCK EXT 6x15 BLK
2	H101026	BOLT WH 1/4x1-3/4 BLK



PB1 | **PANEL BOARD - W4L17099**
(x1) | 5/8"x14"x31 3/8" (15x356x796)

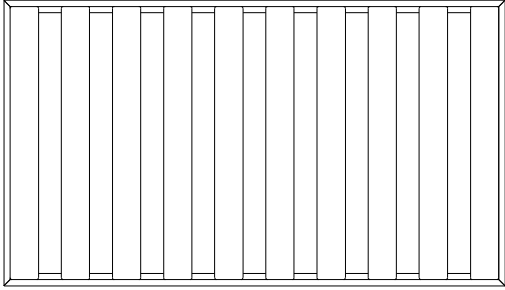


MN1 | **UPRIGHT - W4L17097**
(x2) | 5/8"x2 3/8"x29 1/4" (15x60x742)

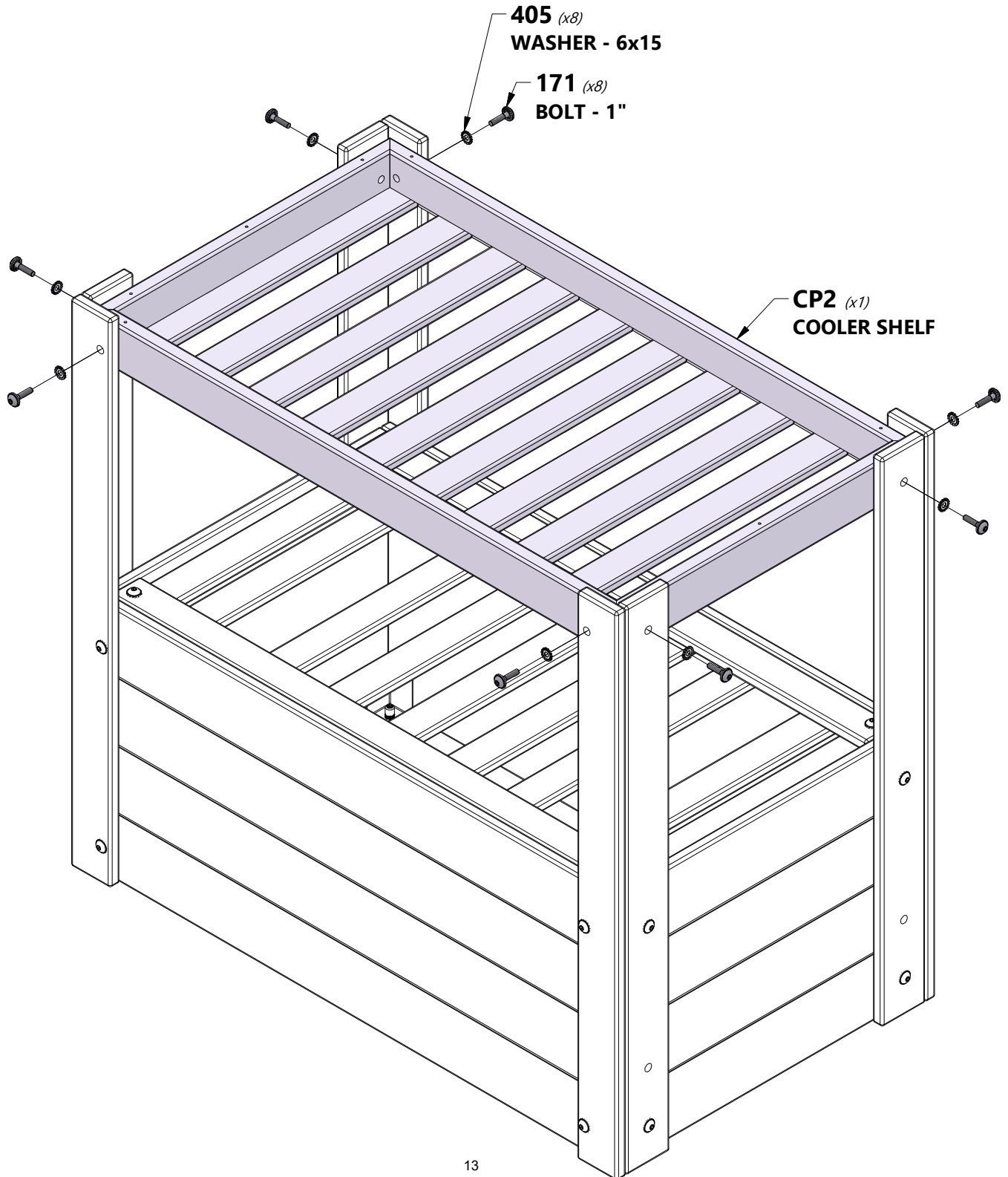


STEP 6 - COOLER ASSEMBLY

QTY	PART NUMBER	DESCRIPTION
8	H100171	BOLT WH 1/4x1 BLK
8	H100405	WASHER LOCK EXT 6x15 BLK

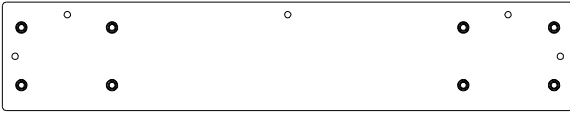


CP2 | COOLER SHELF - W2A03706
(x1) | 2 3/8"x17 13/16"x31 5/16" (60x453x796)

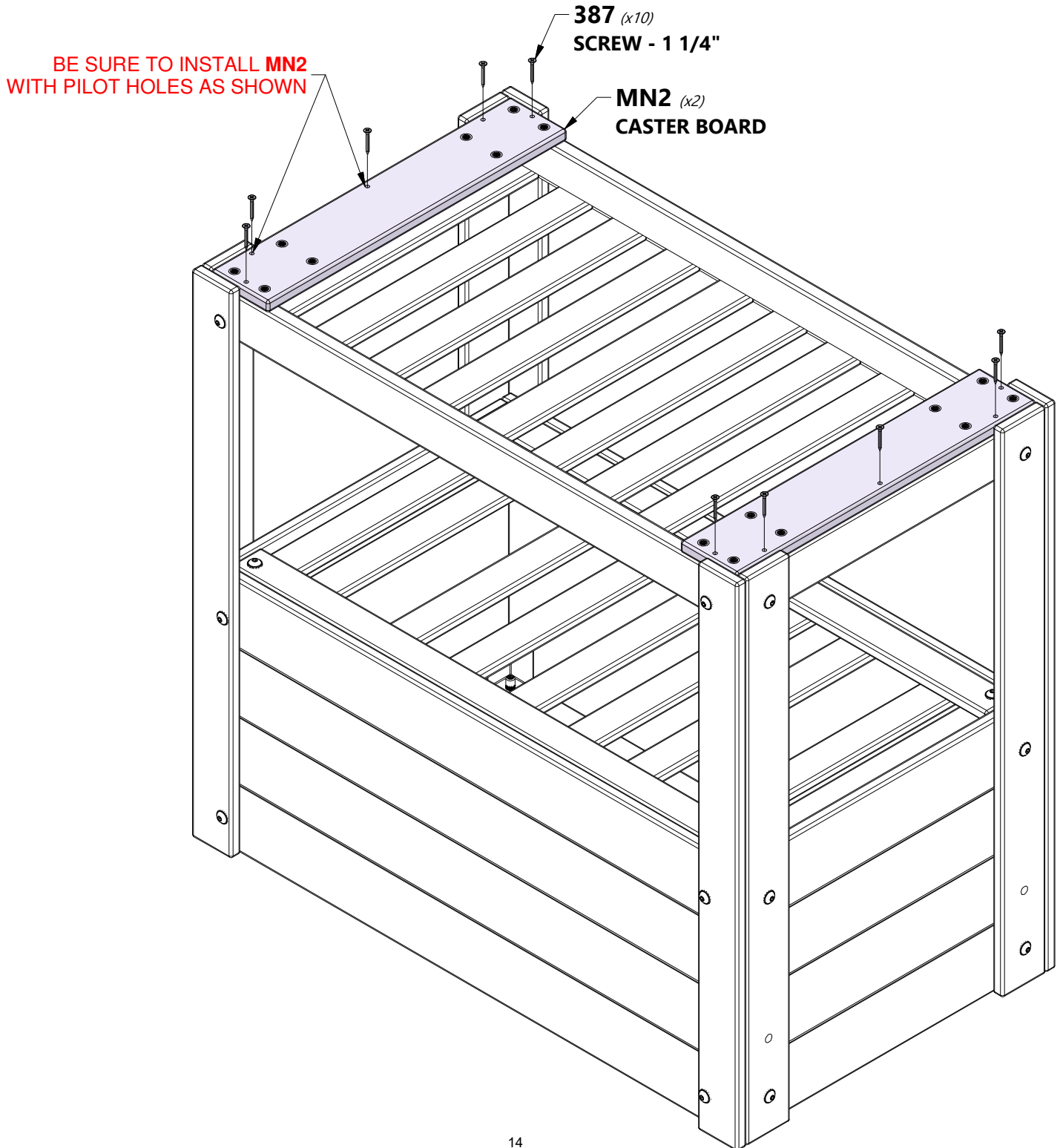


STEP 7 - COOLER ASSEMBLY

QTY	PART NUMBER	DESCRIPTION
10	H100387	SCREW PFH 8x1-1/4 BLK

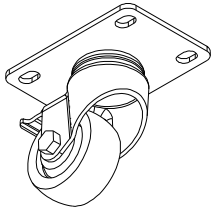


MN2 | **CASTER BOARD - W2A03707**
(x2) | 9/16"x3 3/8"x17 13/16" (15x86x453)

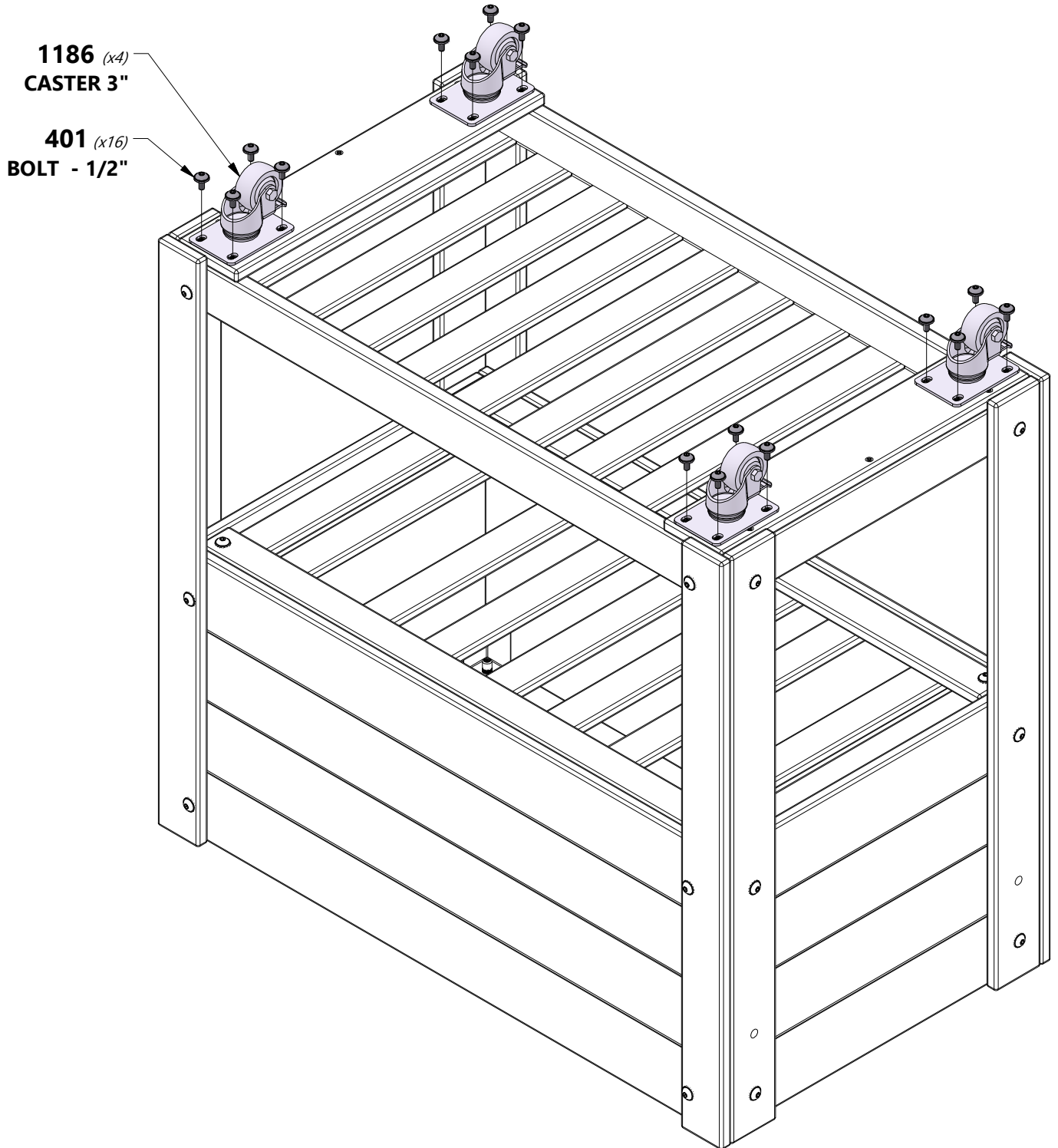


STEP 8 - COOLER ASSEMBLY

QTY	PART NUMBER	DESCRIPTION
16	H100401	BOLT WH 1/4x1/2 BLK



A4M01186 | **CASTER 3"**
(x4)



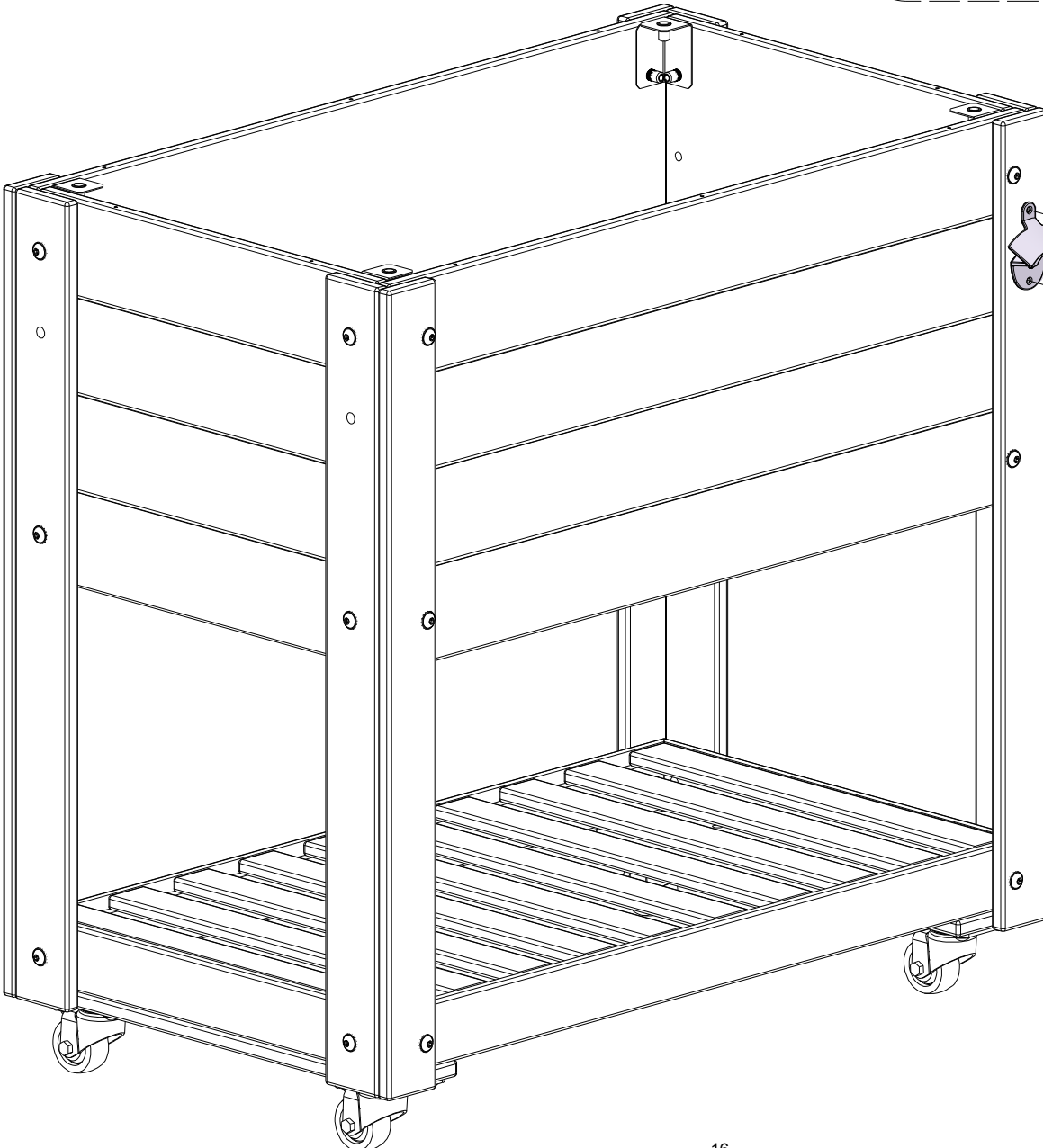
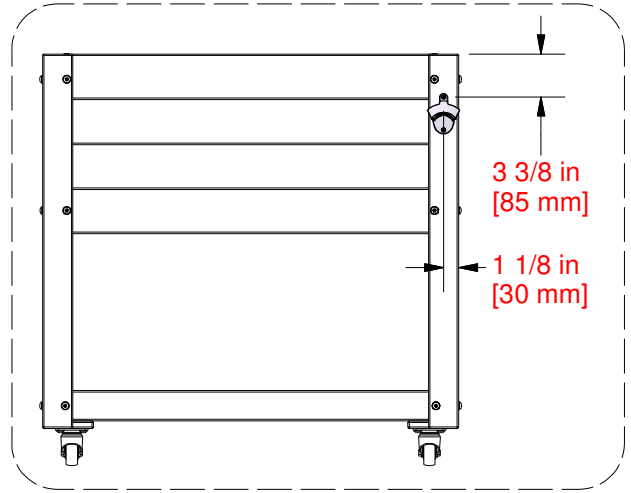
STEP 9 - COOLER ASSEMBLY

QTY	PART NUMBER	DESCRIPTION
2	H100387	SCREW PFH 8x1-1/4 BLK



A4M01187 (x1) BOTTLE CAP OPENER

NOTE:
BEFORE INSTALLING SCREWS,
PRE-DRILL LOCATIONS SHOWN
USING A 1/8" (3mm) DRILL BIT.

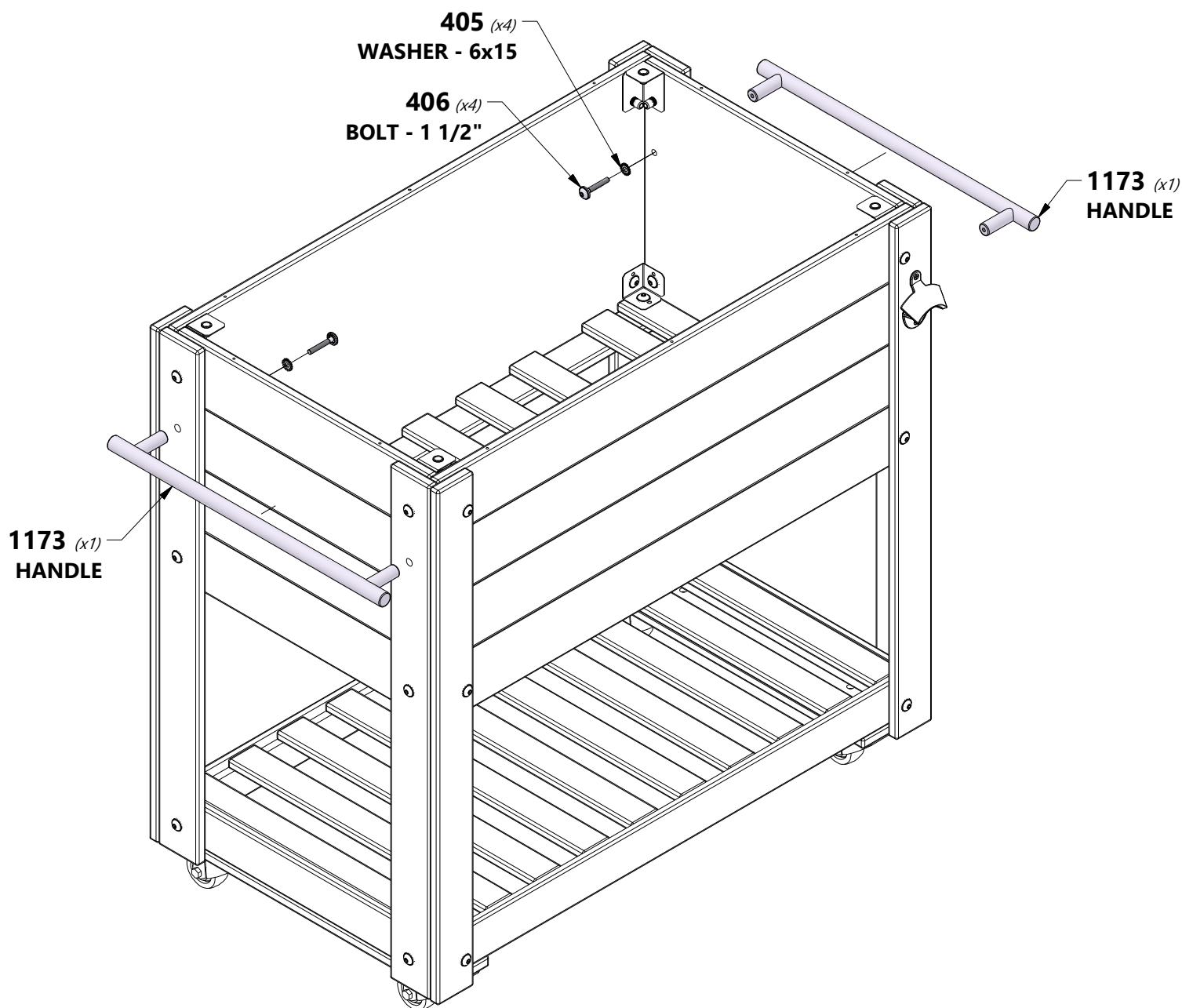


1187 (x1)
BOTTLE CAP OPENER

387 (x2)
SCREW - 1 1/4"

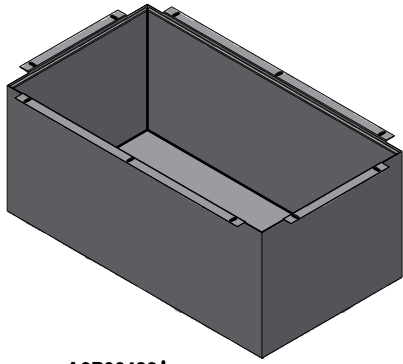
STEP 10 - COOLER ASSEMBLY

QTY	PART NUMBER	DESCRIPTION
4	H100405	WASHER LOCK EXT 6x15 BLK
4	H100406	BOLT WH 1/4x1 1/2 BLK

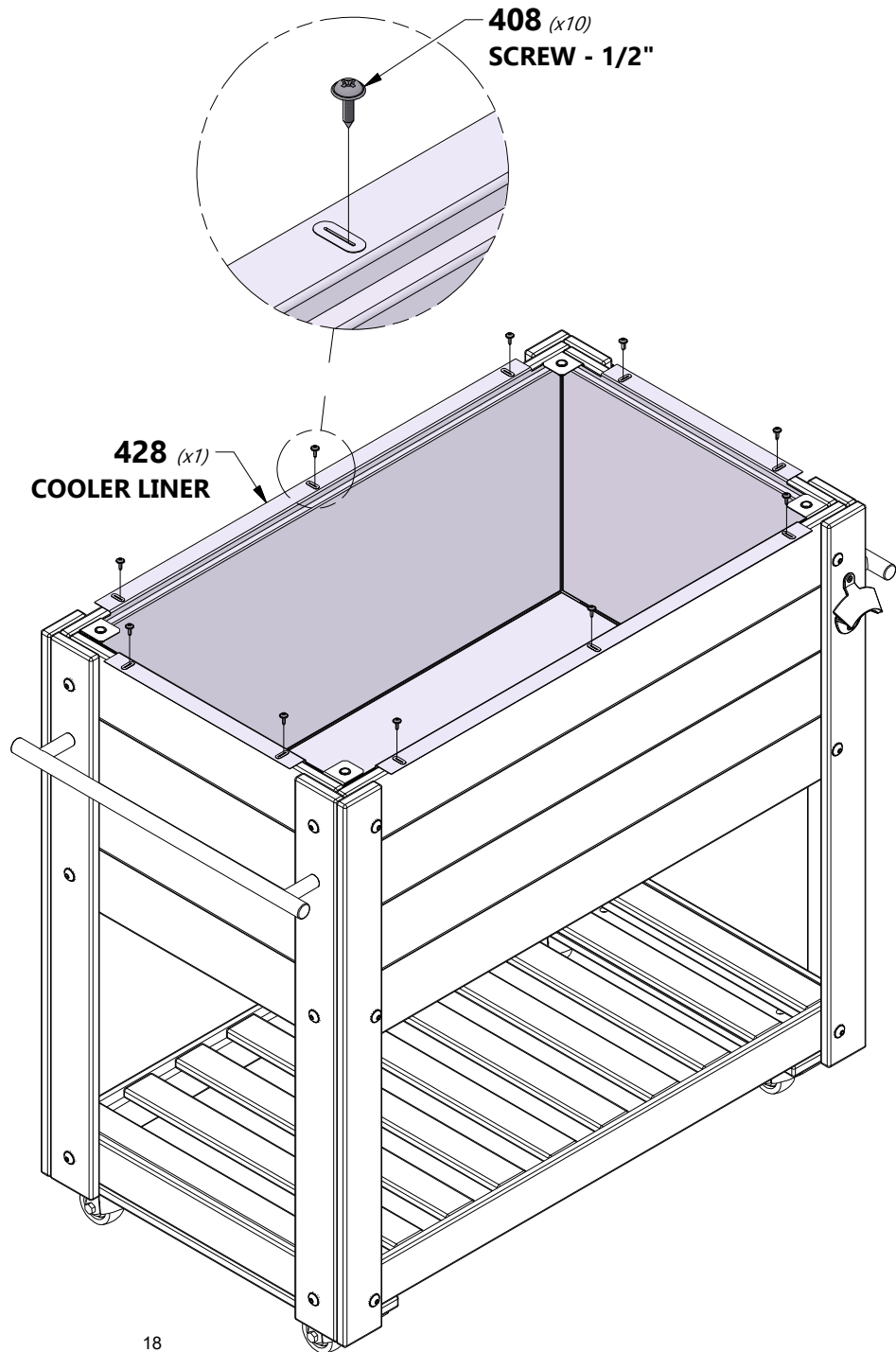
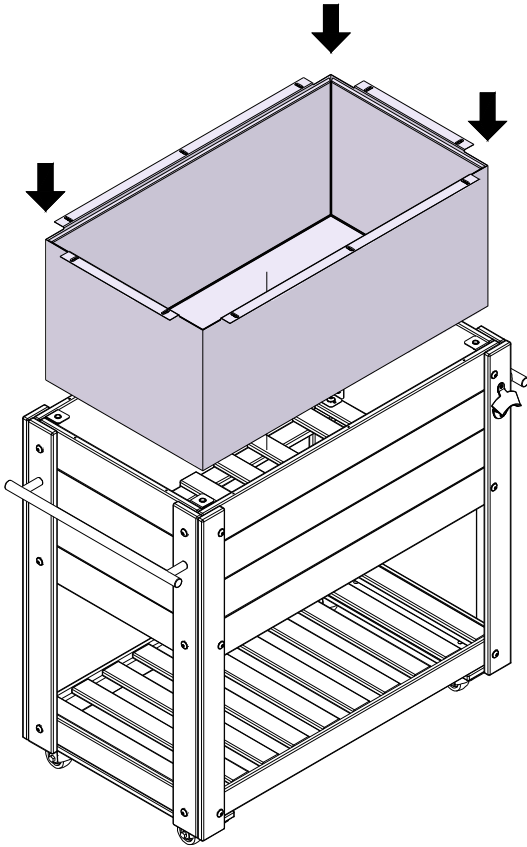


STEP 11 - COOLER ASSEMBLY

QTY	PART NUMBER	DESCRIPTION
10	H100408	SCREW PWH 8x1/2 BLK

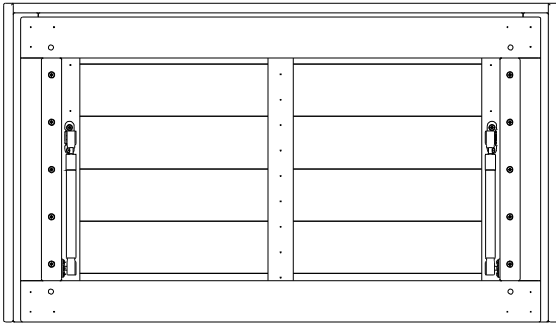


A6P00428
(x1) | COOLER LINER

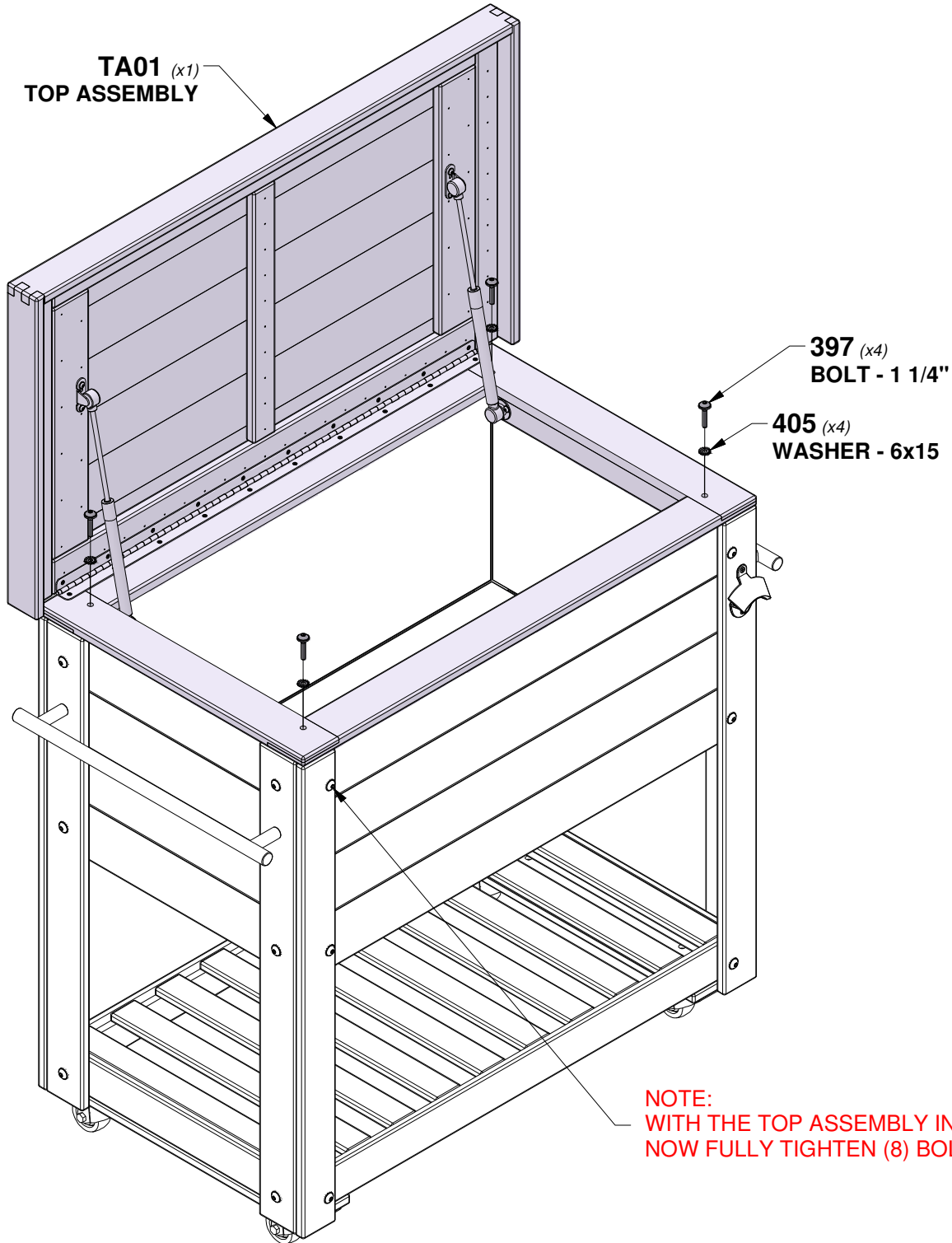


STEP 12 - COOLER ASSEMBLY

QTY	PART NUMBER	DESCRIPTION
4	H100397	BOLT WH 1/4x1-1/4 BLK
4	H100405	WASHER LOCK EXT 6x15 BLK



TA01 | TOP ASSEMBLY - W2A03709
 (x1) | 3 3/8"x19 7/8"x34 5/8" (86x505x880)

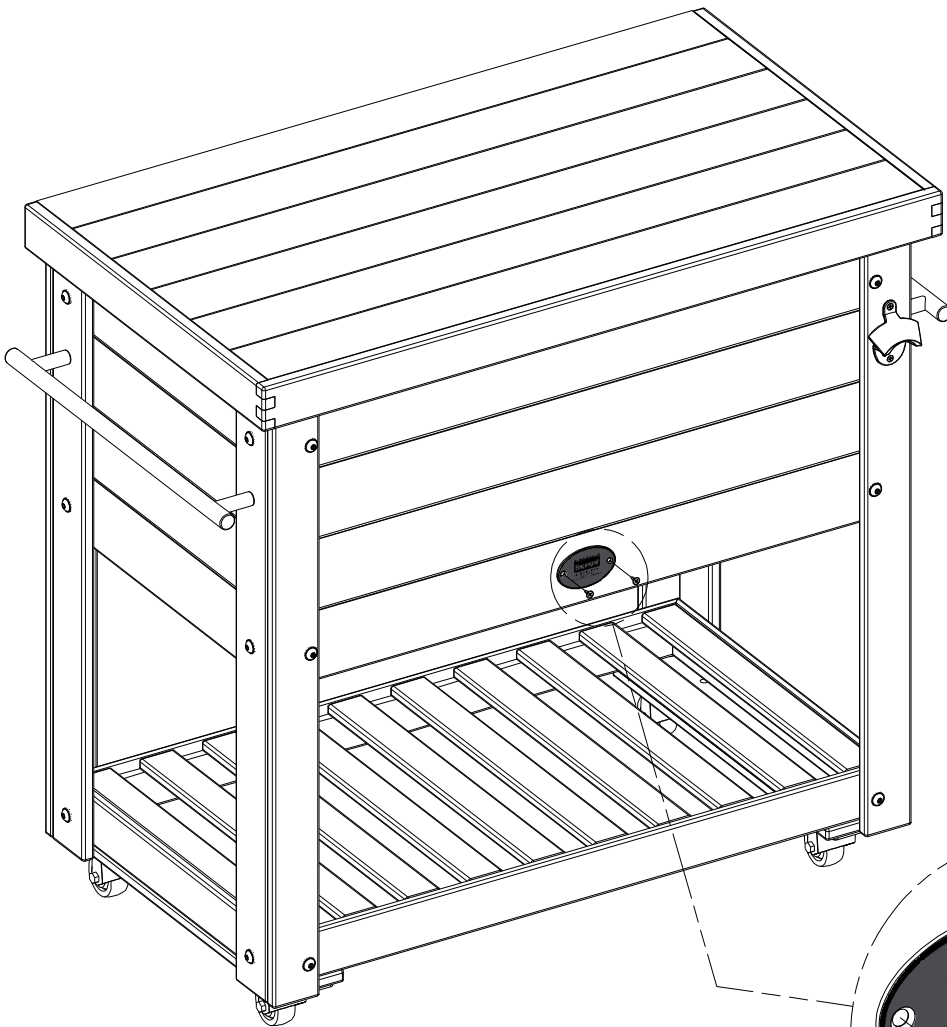
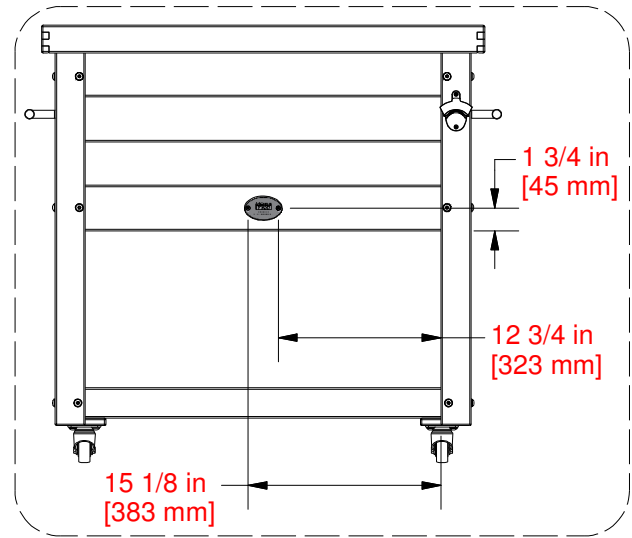


STEP 13 - COOLER ASSEMBLY

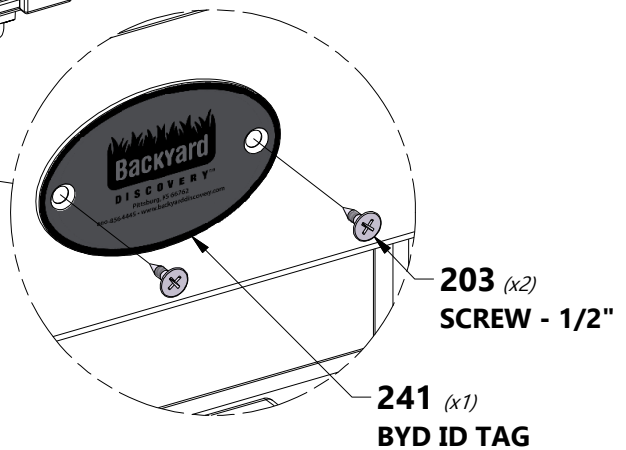
QTY	PART NUMBER	DESCRIPTION
2	H100203	SCREW PFH 8x1/2 BLK



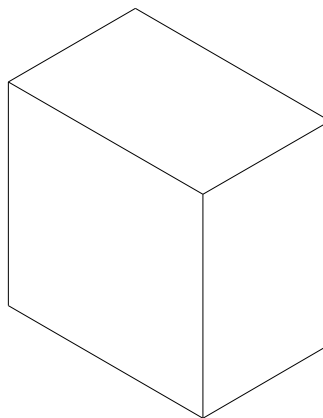
A100241
(x1) | **BYD ID TAG (SMALL) WITHOUT AGES**



NOTE:
BEFORE INSTALLING SCREWS,
PRE-DRILL LOCATIONS SHOWN
USING A 1/8" (3mm) DRILL BIT.



STEP 14 - COOLER ASSEMBLY



A6P00445 | **BYD COOLER COVER**
(x1)

NOTE:
INSTALL COVER TO PROPERLY CARE
FOR YOUR COOLER WHEN NOT IN USE.

445 *(x1)*
BYD COOLER COVER

