

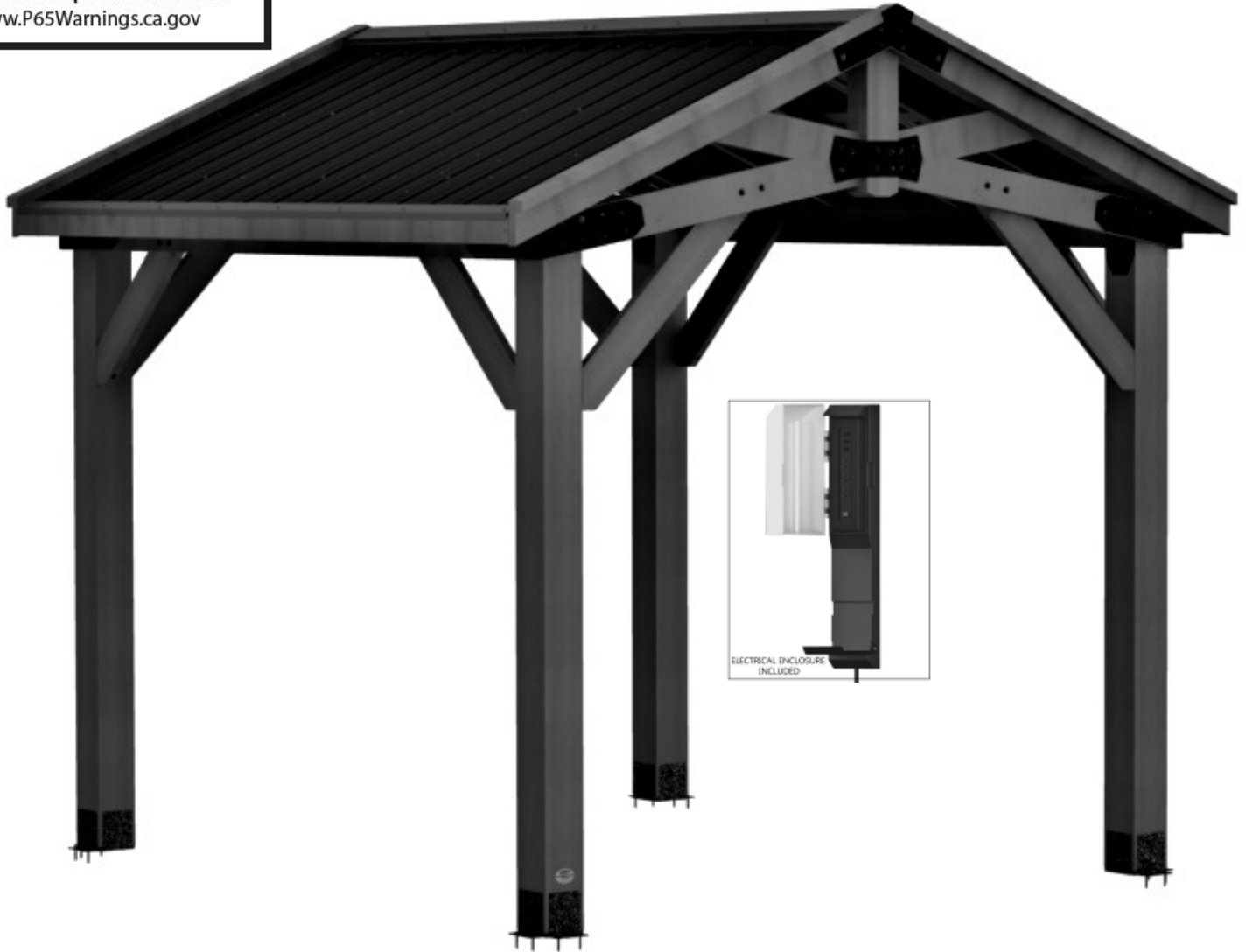


Manufactured by:  
 Backyard Discovery  
 3305 Airport Drive, Pittsburg, KS  
 66762 800-856-4445

Basepoint Business Centre: Rivermead Drive, Westlea, Swindon SN5 7EX Phone: 0800-118-2476  
 J.P. Coenstraat 7, The Bridge, The Hague, 2595 WP, Netherlands Phone: 08005678990

# 10x10 NORWOOD GAZEBO

## MODEL # : 2206069



Please visit [www.backyarddiscovery.com](http://www.backyarddiscovery.com)  
 For the most up to date assembly manual, to register your product, or to order replacement parts *Para obtener instrucciones en español, visite* [www.backyarddiscovery.com](http://www.backyarddiscovery.com)



EASY STEP-BY-STEP  
 3D INTERACTIVE INSTRUCTIONS  
 DOWNLOAD THE FREE APP  
 



INSTALLATION SERVICES AVAILABLE!\*

*See inside for details*

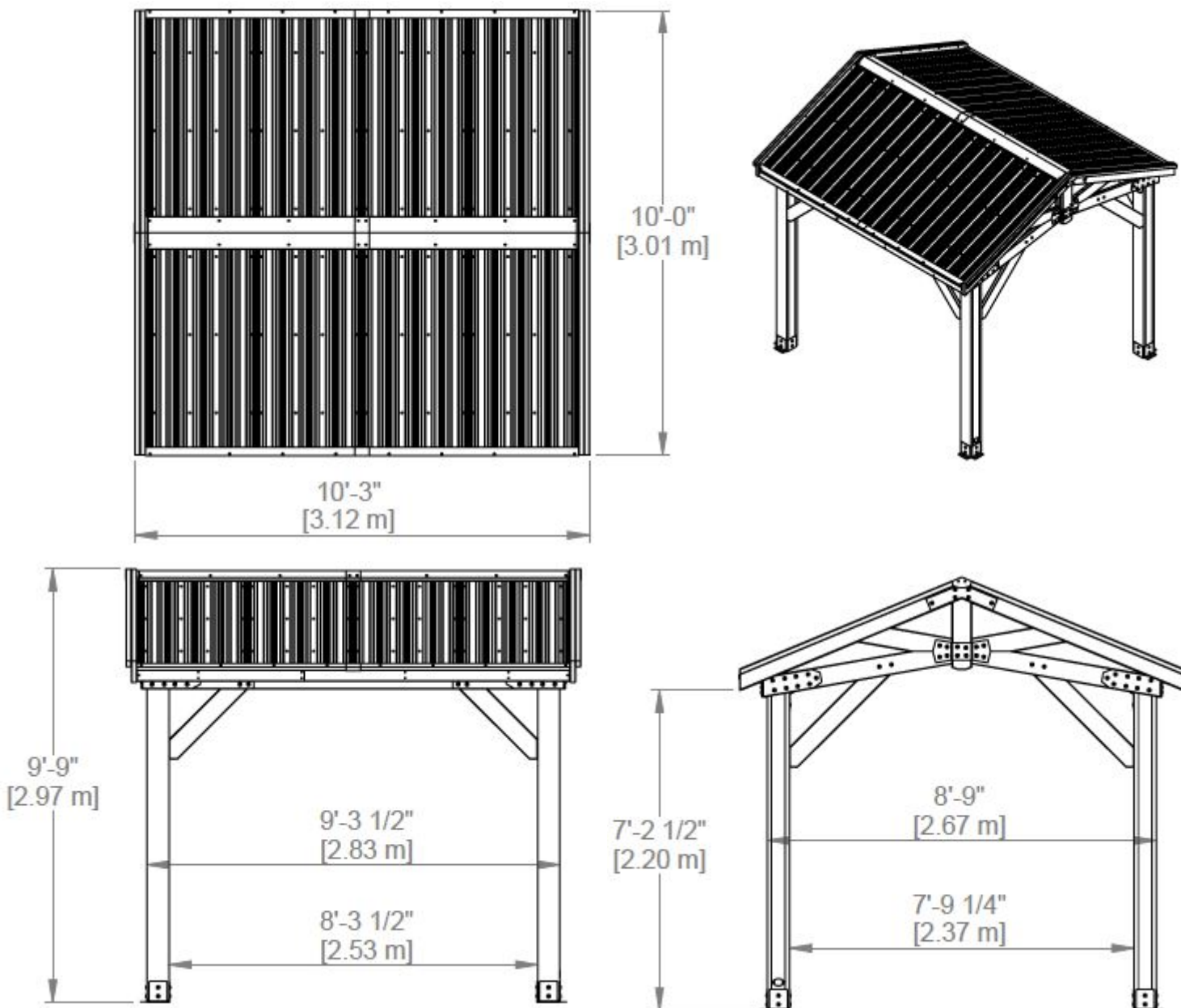
# OWNER'S MANUAL - BASIC SETUP DIMENSIONS & ASSEMBLY NOTES

It is critically important that you start with square and level footings, concrete pad or deck to attach your structure

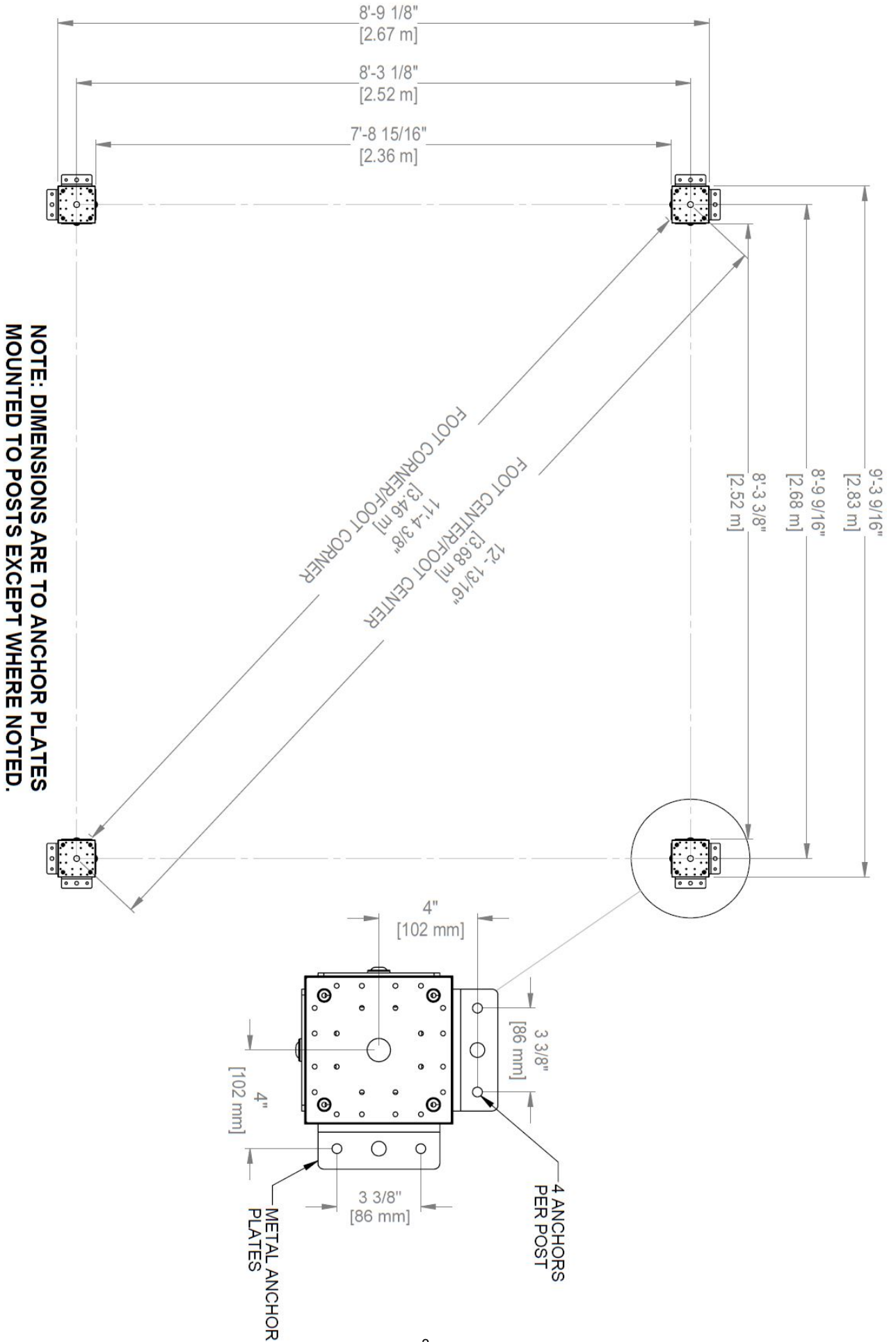
- Pay close attention to the items needed for each step. Make sure you are using the correct hardware for each step. Using incorrect hardware may result in improper assembly
- Remember to double check for underground utilities and overhead electrical lines

**Post mounts are provided with your structure which allows you to permanently install your structure to a pre-existing or new wood or concrete surface. See Anchor Instructions for further details and recommendations.**

- The hardware to attach the post mounts to the structure is included.
- The hardware to mount the structure permanently to a concrete surface is included.
- The hardware to mount the structure permanently to a wood deck is NOT included and will need to be purchased separately. You must ensure there is ample structural support under the deck before permanently attaching.



# OWNER'S MANUAL - ANCHORING LAYOUT



# OWNER'S MANUAL - PARTS IDENTIFICATION

## Wood Components (Not to Scale)



D01 TOP RAIL END - W4L17200  
(x4) 1 7/16"x5 1/4"x30 5/16" (36x134x770)



D02 TOP RAIL - W4L172201  
(x2) 1 7/16"x5 1/4"x64 5/16" (36x134x1634)



D03 GABLE BOARD - W4L17202  
(x4) 1 3/8"x5 1/4"x21 3/4" (36x134x553)



D04 CORBEL - W4L16853  
(x4) 1 3/8"x5 1/4"x35 7/8" (36x134x910)



D05 GABLE BOARD - W4L16854  
(x2) 1 3/8"x1 1/2"x5 1/4" (36x38x134)



D06 CORBEL - W4L16855  
(x3) 1 3/8"x5 1/4"x45 5/8" (36x134x1160)



F01 TRUSS - W4L17203  
(x4) 1 7/16"x2 3/8"x62 1/16" (36x60x1576)



E01 RAFTER - W4L17204  
(x4) 1 7/16"x3 3/8"x64 5/16" (36x86x1634)



E02 RAFTER - W4L17213  
(x4) 1 7/16"x3 3/8"x64 5/16" (36x86x1634)



H01 PURLIN - W4L17205  
(x6) 15/16"x3 3/8"x46 1/4" (24x86x1175)



H02 PURLIN - W4L17206  
(x6) 15/16"x3 3/8"x74 3/16" (24x86x1885)



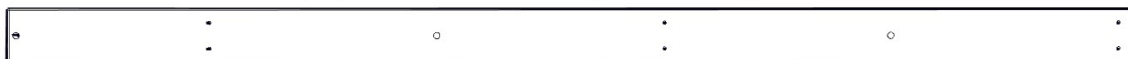
H03 FASCIA - W4L17207  
(x2) 15/16"x3 3/8"x45 1/4" (24x86x1150)



H04 FASCIA - W4L17208  
(x2) 15/16"x3 3/8"x73 1/4" (24x86x1860)



H05 RIDGE - W4L17209  
(x2) 15/16"x3 3/8"x41" (24x86x1042)



H06 RIDGE - W4L172010  
(x2) 15/16"x3 3/8"x69" (24x86x1752)



J01 RIDGE CAP STIFFENER - W4L17211  
(x2) 15/16"x2 3/8"x47 5/8" (24x60x1210)



J02 RIDGE CAP STIFFENER - W4L17212  
(x2) 15/16"x2 3/8"x69 5/16" (24x60x1760)



# OWNER'S MANUAL - PARTS IDENTIFICATION

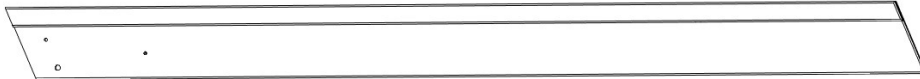
## Wood Components (Not to Scale)



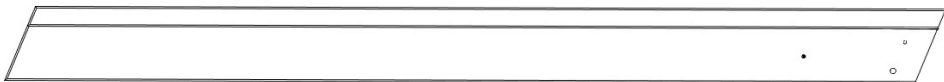
P01 POST - W2A03501  
(x2) 6"X6"X89 1/2" (152x152x2274)



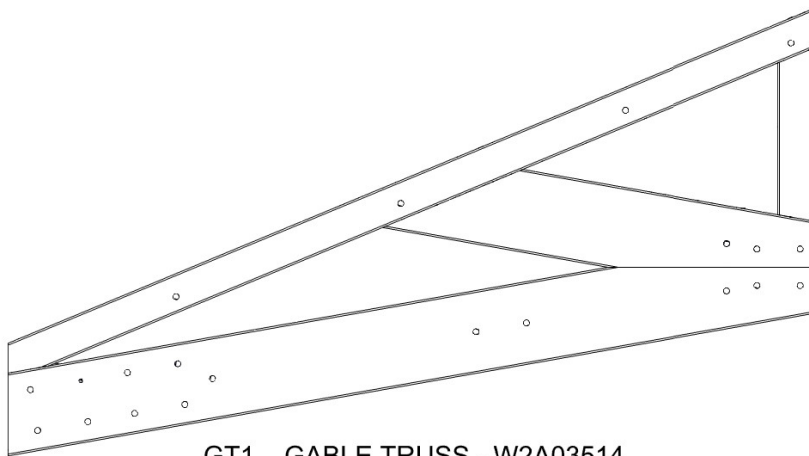
P02 POST - W2A03502  
(x2) 6"X6"X89 1/2" (152x152x2274)



GP1 GABLE PANEL - W2A03515  
(x2) 2 13/16"x5 1/4"x67 3/16" (72x134x1706)



GP2 GABLE PANEL - W2A03516  
(x2) 2 13/16"x5 1/4"x67 3/16" (72x134x1706)



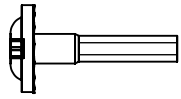
GT1 GABLE TRUSS - W2A03514  
(x4) 1 7/16"x29 1/16"x52 9/16" (36x738x1335)



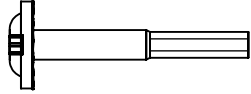
CA01 CORBEL - W2A03504  
(x1) 5 1/4"X1 3/8"X45 5/8" (134x36x1160)

# OWNER'S MANUAL - PARTS IDENTIFICATION

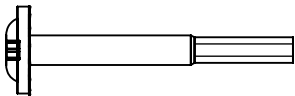
## Hardware Components (Not to Scale)



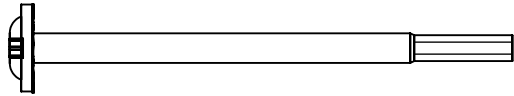
**H100407 BOLT WH BLK**  
(x20) 5/16x1 1/2



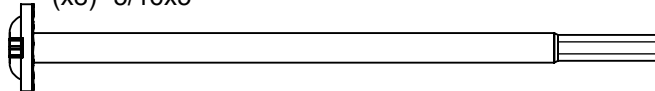
**H100205 BOLT WH BLK**  
(x36) 5/16x2 1/4



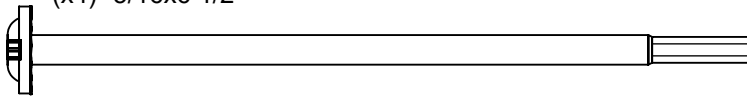
**H100195 BOLT WH BLK**  
(x29) 5/16x2 3/4



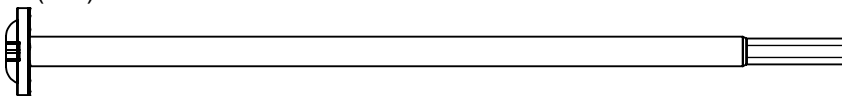
**H100881 BOLT WH BLK**  
(x8) 5/16x5



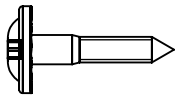
**H100354 BOLT WH BLK**  
(x4) 5/16x6 1/2



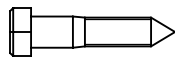
**H101046 BOLT WH BLK**  
(x12) 5/16x7 1/2



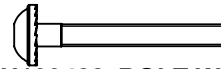
**H100850 BOLT WH BLK**  
(x16) 5/16x8 1/2



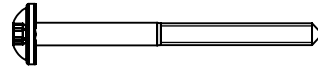
**H100471 LAG SCREW WH BLK**  
(x44) 5/16x 1 1/2



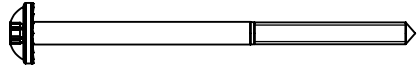
**H100659 LAG SCREW BLK**  
(x4) 5/16x1 1/2



**H100488 BOLT WH BLK**  
(x4) 1/4x2



**H100792 LAG SCREW WH BLK**  
(x8) 1/4x3



**H100564 LAG SCREW WH BLK**  
(x12) 1/4x4



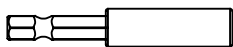
**H100379 T-NUT BLK**  
(x56) 5/16



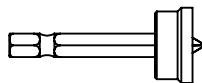
**H100479 NUT LOCK BLK**  
(x69) 5/16



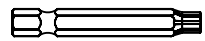
**H100653 NUT LOCK BLK**  
(x4) 1/4



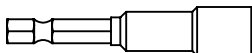
**H101100 MAGNETIC DRIVER**  
(x1)



**H100764 SCREW SETTER**  
(x1)



**H100147 TORX BIT**  
(x1)



**H101106 SOCKET DRIVER**  
(x1)



**H100114 TORX WRENCH**  
(x1) T-30

# OWNER'S MANUAL - PARTS IDENTIFICATION

## Hardware Components (Not to Scale)



**H100200 SCREW PFH BLK**  
(x22) 8x1 1/2



**H100391 SCREW PFH BLK**  
(x84) 8x2



**H100483 SCREW PFH BLK**  
(x4) 8x2 1/4



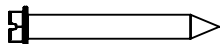
**H100201 SCREW PFH BLK**  
(x20) 8x2 1/2



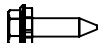
**H100392 SCREW PWH BLK**  
(x16) 8x3/4



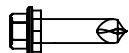
**H100536 SCREW PWH BLK**  
(x8) 8x1 1/4



**H100120 SCREW CONCRETE ANCHOR**  
(x16) 1/4x2



**H100833 SCREW WOODGRIP**  
(x112) 10x3/4



**H100759 SCREW TAPPING**  
(x16) 1/4x1



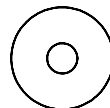
**H100405 WASHER LOCK EXT BLK**  
(x20) 6x15



**H100198 WASHER LOCK EXT BLK**  
(x27) 8x19



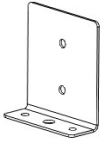
**H100630 WASHER FLAT BLK**  
(x20) 8x19



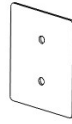
**H100478 WASHER FLAT BLK**  
(x73) 8x27 BLK

# OWNER'S MANUAL - PARTS IDENTIFICATION

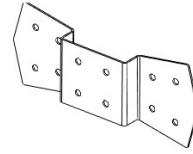
## Accessory Components (Not to Scale)



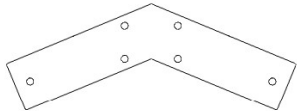
A4M00977 POST ANCHORING PLATE WITH FLANGE (x8)



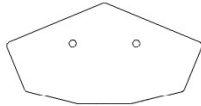
A4M00978 POST PLATE (x8)



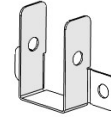
A4M01129 GABLE BRACKET (x4)



A4M01130 GABLE BRACKET (x2)



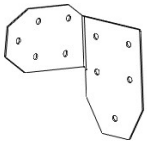
A4M01147 PEAK SEAM BRACKET (x2)



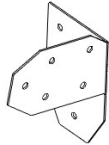
A4M01148 TRUSS BRACKET (x2)



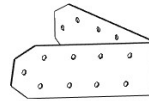
A4M01228 RAFTER CLIP (x4)



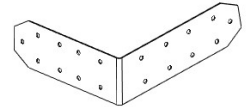
A4M01232 LEFT ANGLE BRACKET (x2)



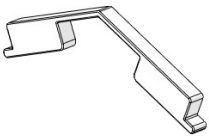
A4M01233 RIGHT ANGLE BRACKET (x2)



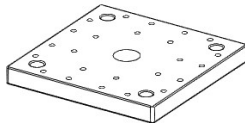
A4M01554 RIGHT OUTSIDE BRACKET (x2)



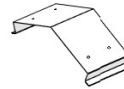
A4M01555 LEFT OUTSIDE BRACKET (x2)



A6P00398 RIDGE CAP PROTECTOR (x2)



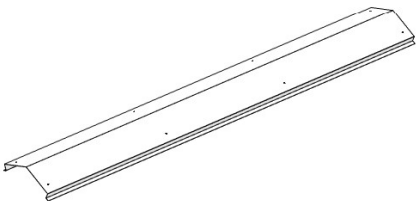
A6P00308 6x6 POST FOOT (x4)



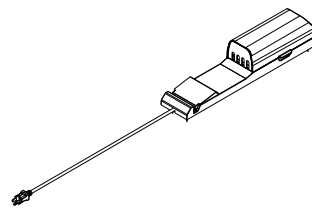
A4M01127 RIDGE CAP SPLICE (x1)



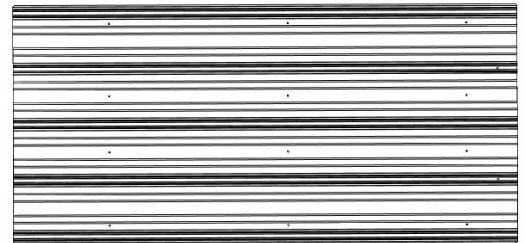
A4M00983 ROOF EDGE TRIM SPLICE (x2)



A4M01116 RIDGE CAP 29 GA (x2)



9205413 ELECTRICAL ENCLOSURE (x1)



A4M01792 29GA STEEL SHEETING (x8)



A100241 BYD ID TAG (x1)



A4M00982 ROOF EDGE TRIM (x4)

# PRE-ASSEMBLY STEP 1 - SORTING PARTS

It is critical for ease of assembly that you take the time to sort and organize the wood and hardware.

---

## WOOD PARTS:

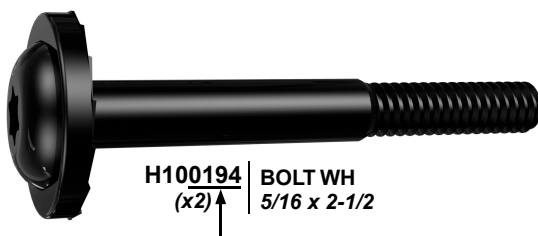
- Organize wood parts by the three-digit, alpha-numeric number stamped on each board (ex. P01).
- If there are multiple boards with the same stamped number, stack those pieces together.
- Stamps can be found on the flat surface of the boards or on the end of the boards.
- Allow yourself plenty of room - the wood pieces can take up a significant amount of space.

**NOTE: CARTONS ARE NOT ORGANIZED BY BOARD NUMBER.**



## HARDWARE PARTS:

- We recommend that you have a separate table to organize the hardware.
- Hardware bags are printed with a seven-digit, alpha-numeric part number.
- You can organize your hardware by part number or group by hardware type (i.e. bolts, nuts, etc.).
- During assembly you only need to reference the last four digits of the number.



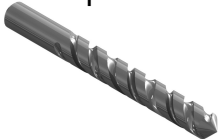
# PRE-ASSEMBLY STEP 2 - TOOLS REQUIRED



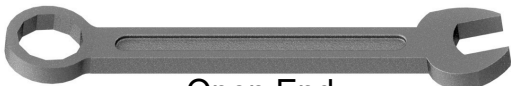
Cordless Drill  
or Electric Drill



Drill  
Attachments:  
Phillips Head



1/8", 3/16", 3/8" &  
7/16" Drill Bits



Open End  
Wrenches 1/2" &  
9/16"



3/8" Drive Ratchet, 1/2" &  
7/16" STD Sockets 1/2" & 7/16"  
Deep Sockets



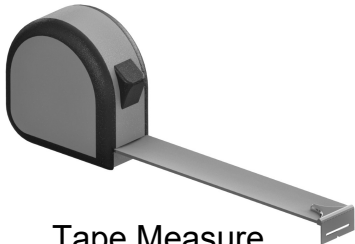
Phillips Screw Driver



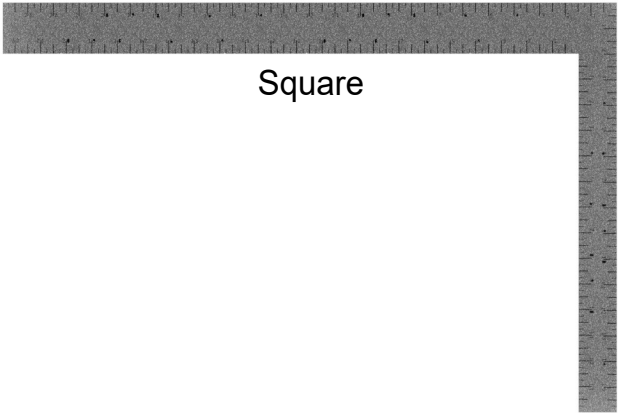
Claw Hammer



Rubber Mallet  
- Optional



Tape Measure



Square



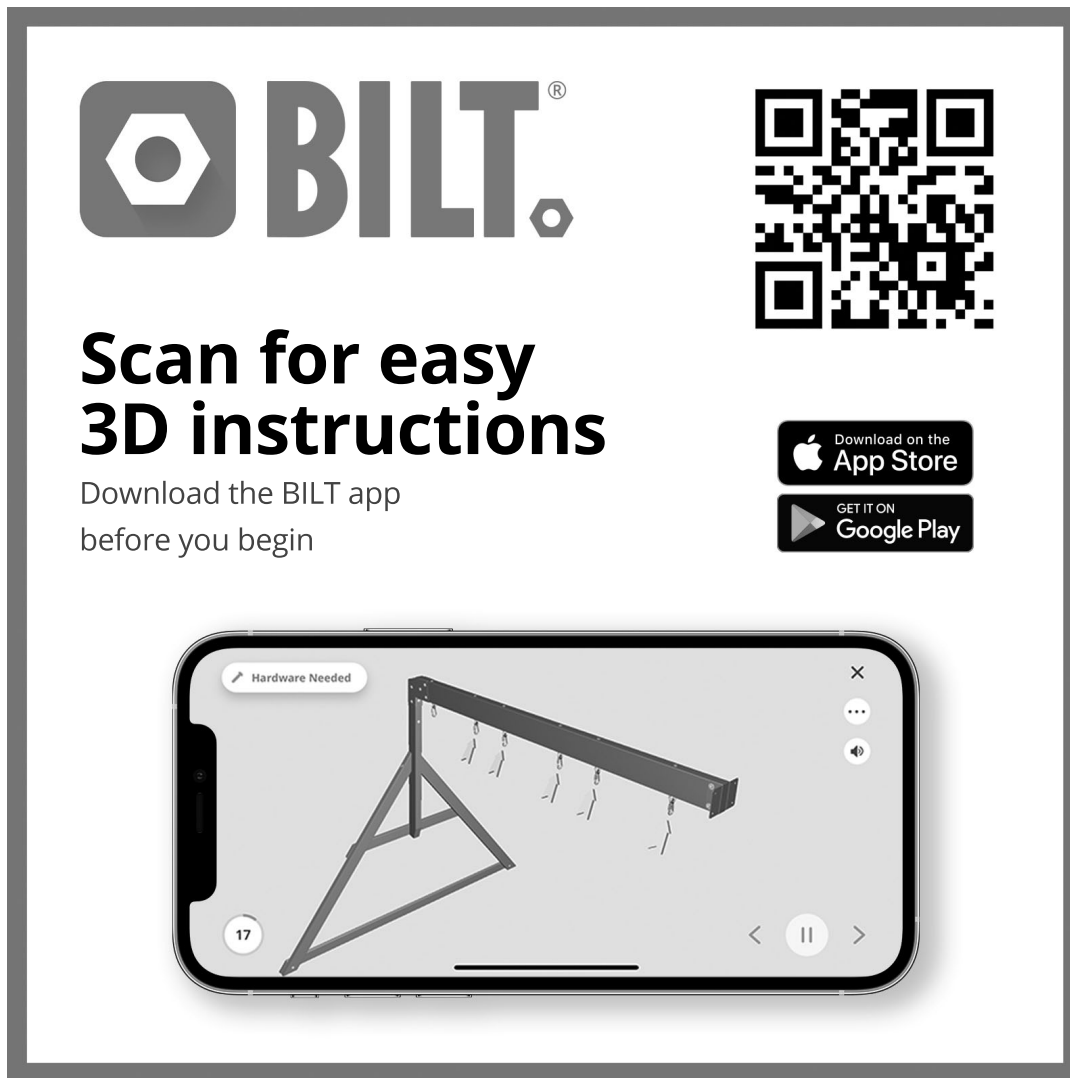
Level 24"



# PRE-ASSEMBLY STEP 3 - CHOOSE YOUR ASSEMBLY METHOD

There are several types of assembly instructions available to you.

1. Printed Assembly Manual included with your set
2. BILT APP - 3D interactive instructions
3. Combination of the Printed Manual and BILT APP (Note: Step numbers can differ between the two methods)



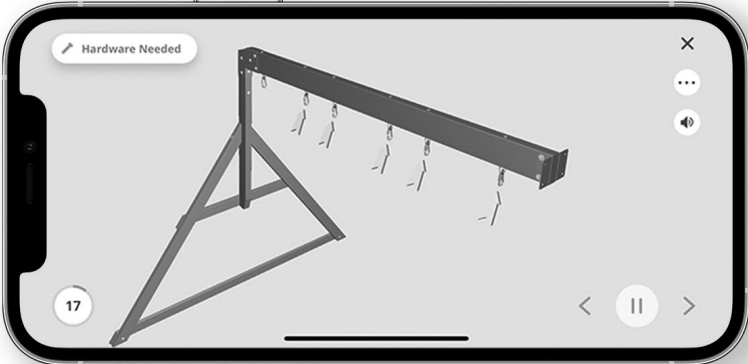
**BILT.**<sup>®</sup>

Scan for easy  
**3D instructions**

Download the BILT app  
before you begin

Download on the  
App Store

GET IT ON  
Google Play



Hardware Needed

17

The image shows a smartphone screen displaying a 3D assembly instruction. The screen features a 3D model of a metal frame with a horizontal bar and several hanging components. A 'Hardware Needed' button is visible in the top left corner of the app interface. The step number '17' is shown in a circle at the bottom left. Navigation icons for back, play/pause, and forward are at the bottom right.

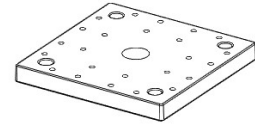
# STEP 1 - POST ASSEMBLY



P01 POST - W2A03501  
(x1) 6"X6"X89 1/2" (152x152x2274)



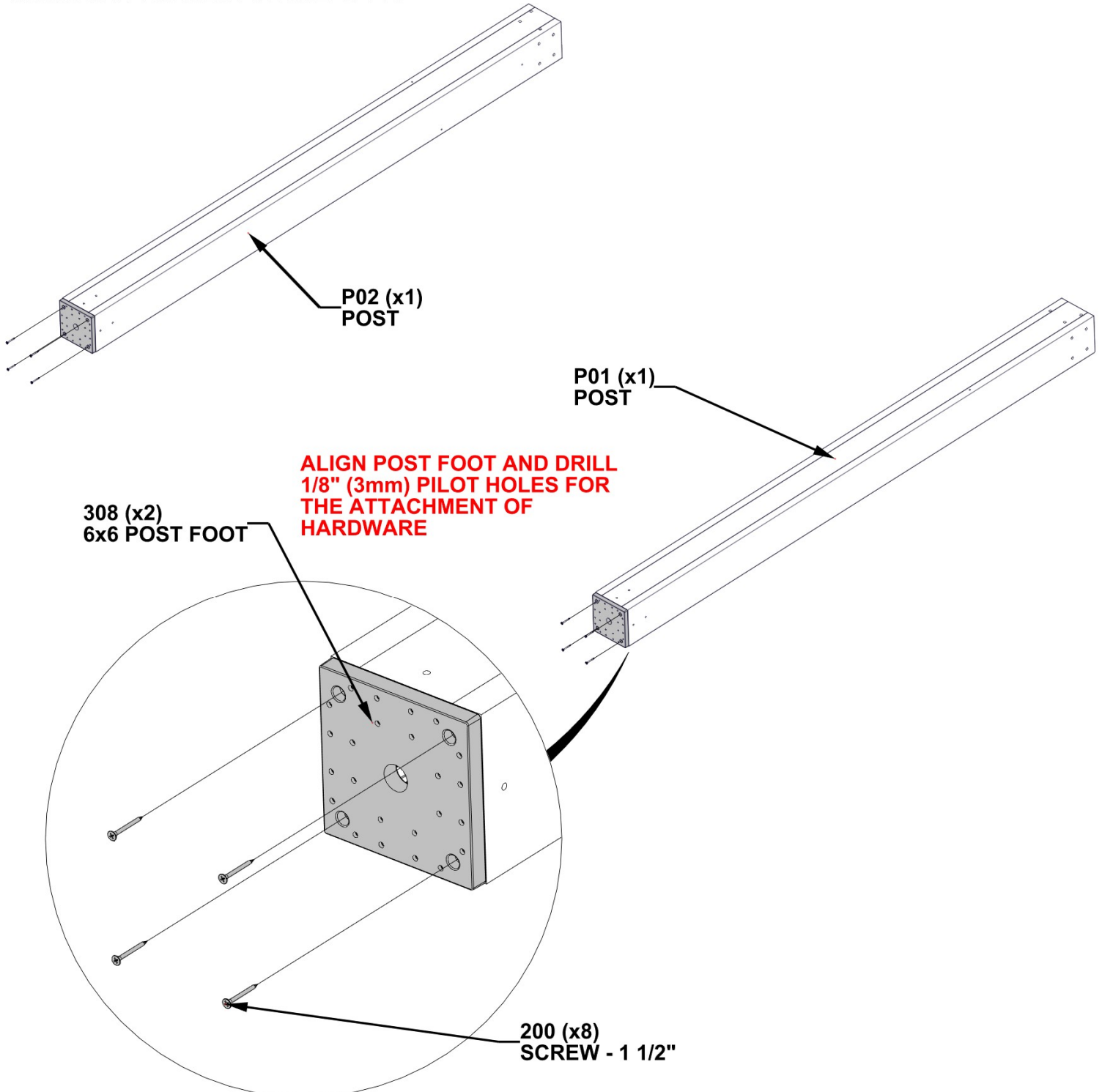
P02 POST - W2A03502  
(x1) 6"X6"X89 1/2" (152x152x2274)



A6P00308 6x6 POST FOOT  
(x2)

QTY	PART NUMBER	DESCRIPTION
8	H100200	SCREW PFH 8x1 1/2 BLK

FOR EASE OF ASSEMBLY, WE RECOMMEND USING SAW HORSES FOR STEPS 1-7.

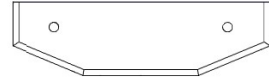


# STEP 2 - GABLE ASSEMBLY

QTY	PART NUMBER	DESCRIPTION
2	H100483	SCREW PFH 8x2 1/4 BLK

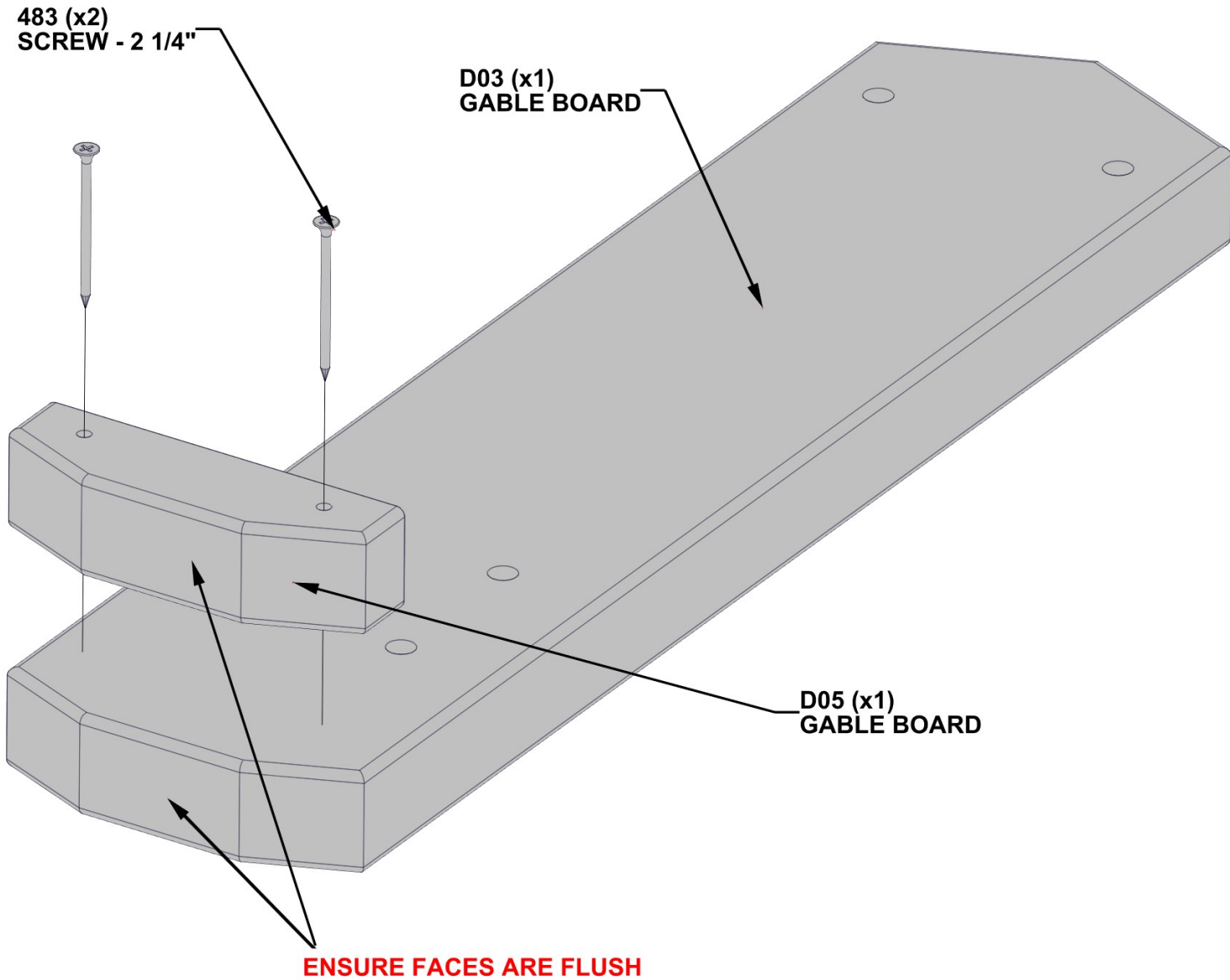


D03 GABLE BOARD - W4L17202  
(x1) 1 3/8"X5 1/4"X21 3/4" (36x134x553)



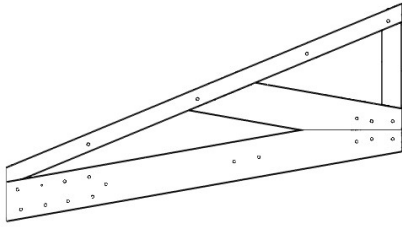
D05 GABLE BOARD - W4L16854  
(x1) 1 3/8"X1 1/2"X5 1/4" (36x38x134)

**ALIGN D05 WITH D03, ENSURING THAT BOTTOM FACES ARE FLUSH. DRILL 1/8" (3mm) PILOT HOLES IN D03 USING D05 AS TEMPLATE.**



# STEP 3 - GABLE ASSEMBLY

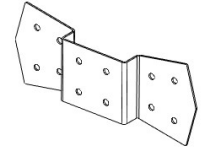
QTY	PART NUMBER	DESCRIPTION
4	H100881	BOLT WH 5/16x5 BLK
4	H100478	WASHER FLAT 8x27 BLK
4	H100479	NUT LOCK 5/16 BLK



GT1 GABLE TRUSS - W2A03514  
(x2) 1 7/16"x29 1/16"x52 9/16" (36X738X1335)



D03 GABLE BOARD - W4L17202  
(x1) 1 3/8"x5 1/4"x21 3/4" (36x134x553)



A4M01129 GABLE BRACKET  
(x2)

881 (x4)  
BOLT - 5"

GT1 (x2)  
GABLE TRUSS

**TEMPORARILY ADD LONG BOLTS  
TO HELP ALIGN WOOD PARTS.**

D03 (x1)  
GABLE BOARD

ASSEMBLY  
FROM PREVIOUS STEP

478 (x4)  
WASHER - 8x27

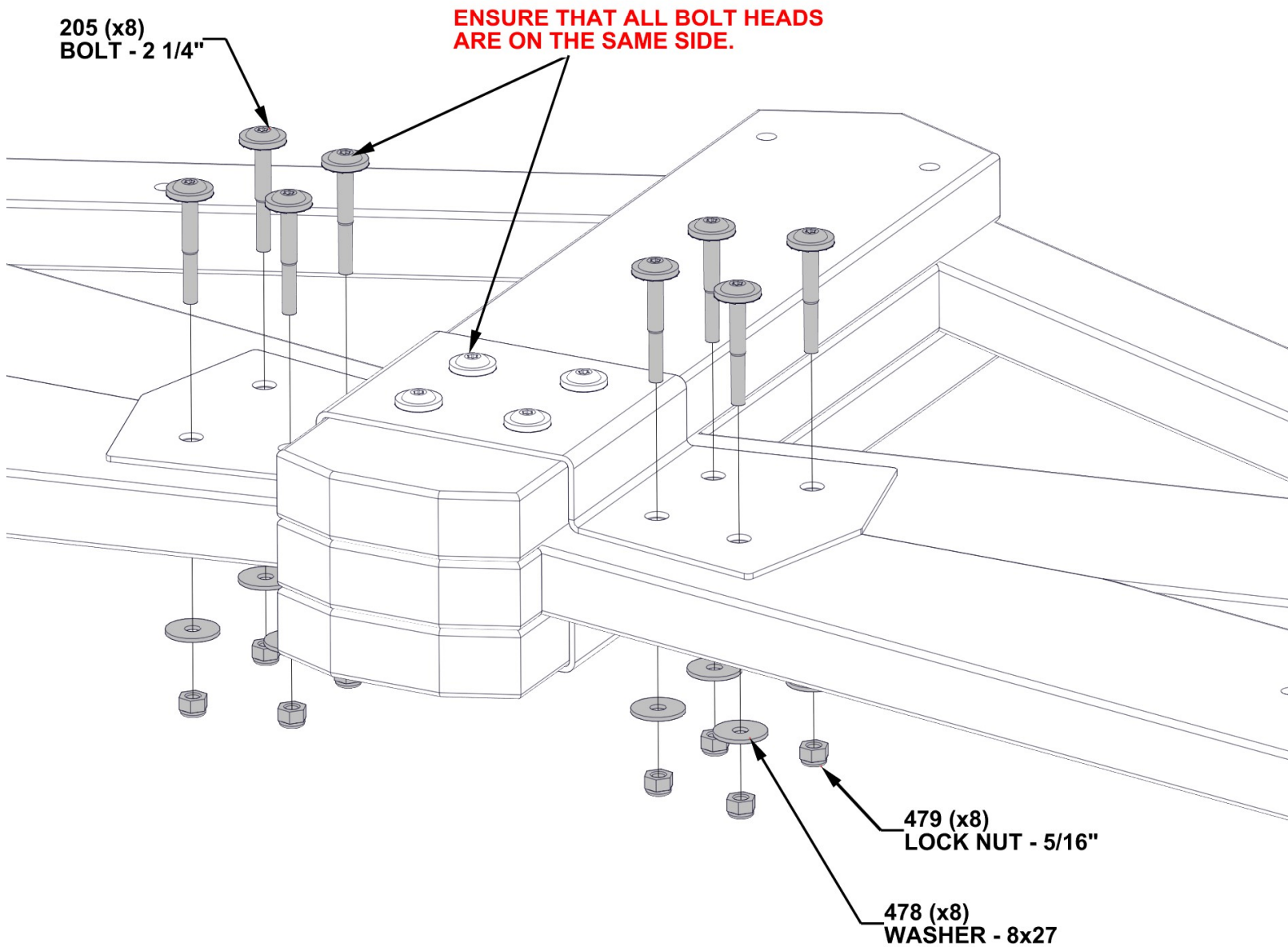
1129 (x2)  
GABLE BRACKET

479 (x4)  
LOCK NUT - 5/16"

# STEP 4 - GABLE ASSEMBLY

QTY	PART NUMBER	DESCRIPTION
8	H100205	BOLT WH 5/16x2 1/4 BLK
8	H100479	NUT LOCK 5/16 BLK
8	H100478	WASHER FLAT 8x27 BLK

USE METAL BRACKET AS A GUIDE AND DRILL THROUGH USING A 7/16" (10mm) DRILL BIT, IF NEEDED.





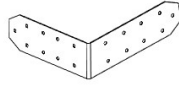
# STEP 5A - GABLE ASSEMBLY



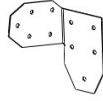
P01 POST - W2A03501  
(x1) 6"X6"X89 1/2" (152x152x2274)



D01 TOP RAIL END - W4L17200  
(x1) 1 7/16"x5 1/4"x30 5/16" (36x134x770)



1555 LEFT OUTSIDE  
(x1) BRACKET



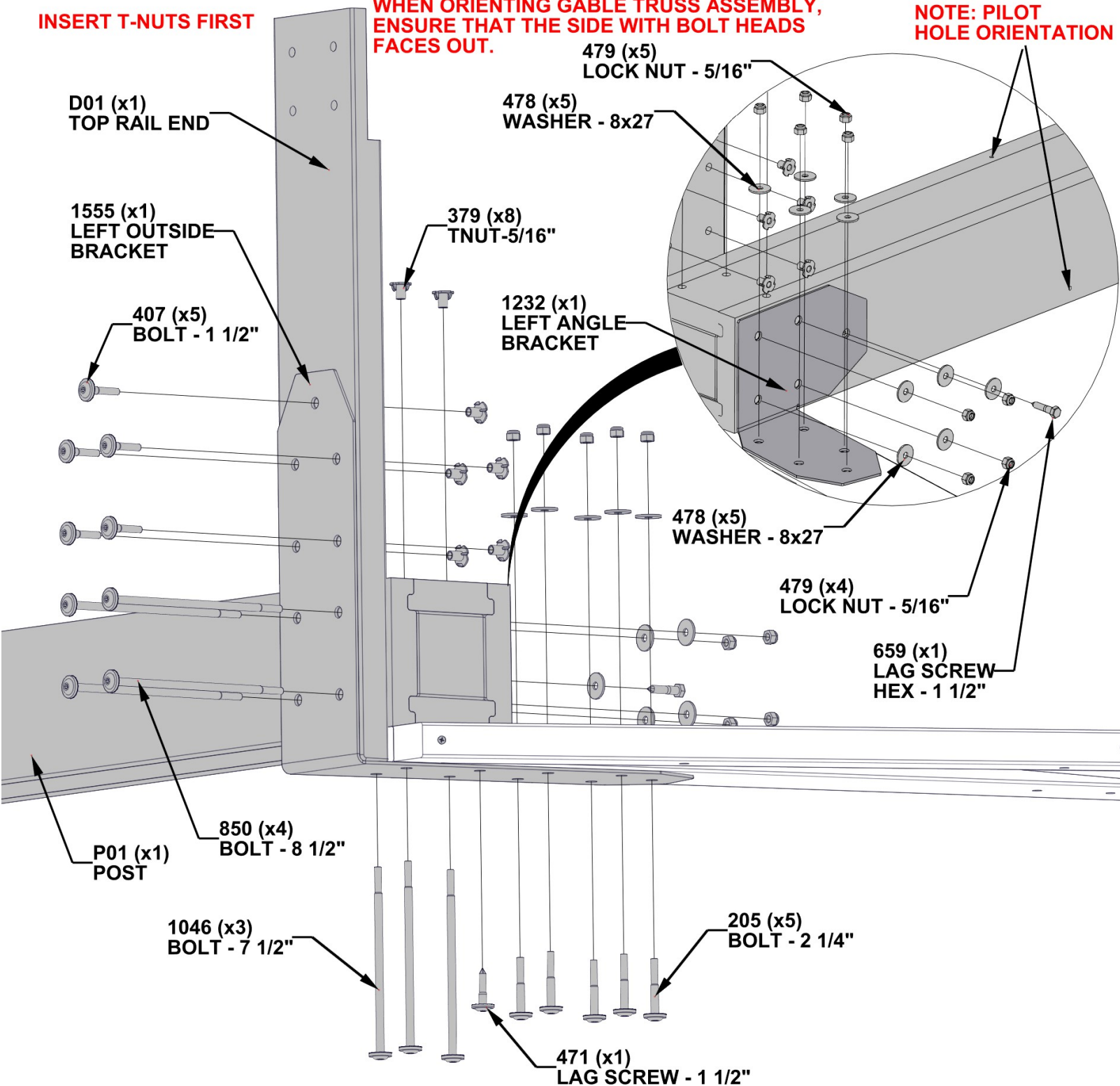
1232 LEFT ANGLE  
(x1) BRACKET

QTY	PART NUMBER	DESCRIPTION
1	H100471	LAG SCREW WH 5/16x1 1/2 BLK
1	H100659	LAG SCREW HEX 5/16x1 1/2 BLK
3	H101046	BOLT WH 5/16x7 1/2 BLK
4	H100850	BOLT WH 5/16x8 1/2 BLK
5	H100205	BOLT WH 5/16x2 1/4 BLK
5	H100407	BOLT WH 5/16x1 1/2 BLK
8	H100379	TNUT-5/16" BLK
9	H100479	NUT LOCK 5/16 BLK
10	H100478	WASHER FLAT 8x27 BLK

**INSERT T-NUTS FIRST**

**WHEN ORIENTING GABLE TRUSS ASSEMBLY, ENSURE THAT THE SIDE WITH BOLT HEADS FACES OUT.**

**NOTE: PILOT HOLE ORIENTATION**

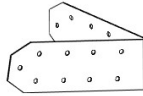




# STEP 5B - GABLE ASSEMBLY

QTY	PART NUMBER	DESCRIPTION
1	H100471	LAG SCREW WH 5/16x1 1/2 BLK
1	H100659	LAG SCREW HEX 5/16x1 1/2 BLK
3	H101046	BOLT WH 5/16x7 1/2 BLK
4	H100850	BOLT WH 5/16x8 1/2 BLK
5	H100407	BOLT WH 5/16x1 1/2 BLK
5	H100205	BOLT WH 5/16x2 1/4 BLK
8	H100379	TNUT-5/16" BLK
9	H100479	NUT LOCK 5/16 BLK
10	H100478	WASHER FLAT 8x27 BLK

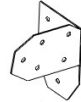
P02 POST - W2A03502  
(x1) 6"X6"X89 1/2" (152x152x2274)



1554 RIGHT OUTSIDE BRACKET (x1)



D01 TOP RAIL END - W4L17200  
(x1) 1 7/16"x5 1/4"x30 5/16" (36x134x770)



1233 RIGHT ANGLE BRACKET (x1)

**NOTE: PILOT HOLE ORIENTATION**

379 (x8) TNUT-5/16"

**WHEN ORIENTING GABLE TRUSS ASSEMBLY, ENSURE THAT THE SIDES WITH BOLT HEADS FACE OUT.**

**INSERT T-NUTS FIRST**

1233 (x1) RIGHT ANGLE BRACKET

D01 (x1) TOP RAIL END

1554 (x1) RIGHT OUTSIDE BRACKET

407 (x5) BOLT - 1 1/2"

478 (x10) WASHER - 8x27

479 (x9) LOCK NUT - 5/16"

659 (x1) LAG SCREW HEX 1 1/2"

850 (x4) BOLT - 8 1/2"

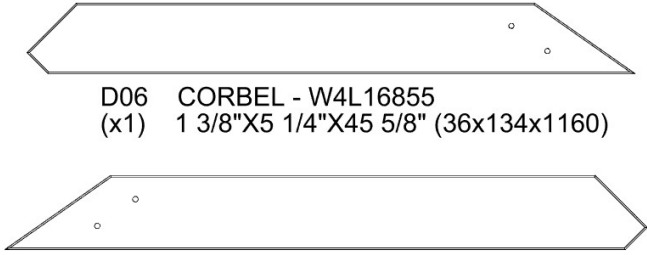
P02 (x1) POST

205 (x5) BOLT - 2 1/4"

1046 (x3) BOLT - 7 1/2"

471 (x1) LAG SCREW - 1 1/2"

# STEP 6 - GABLE ASSEMBLY



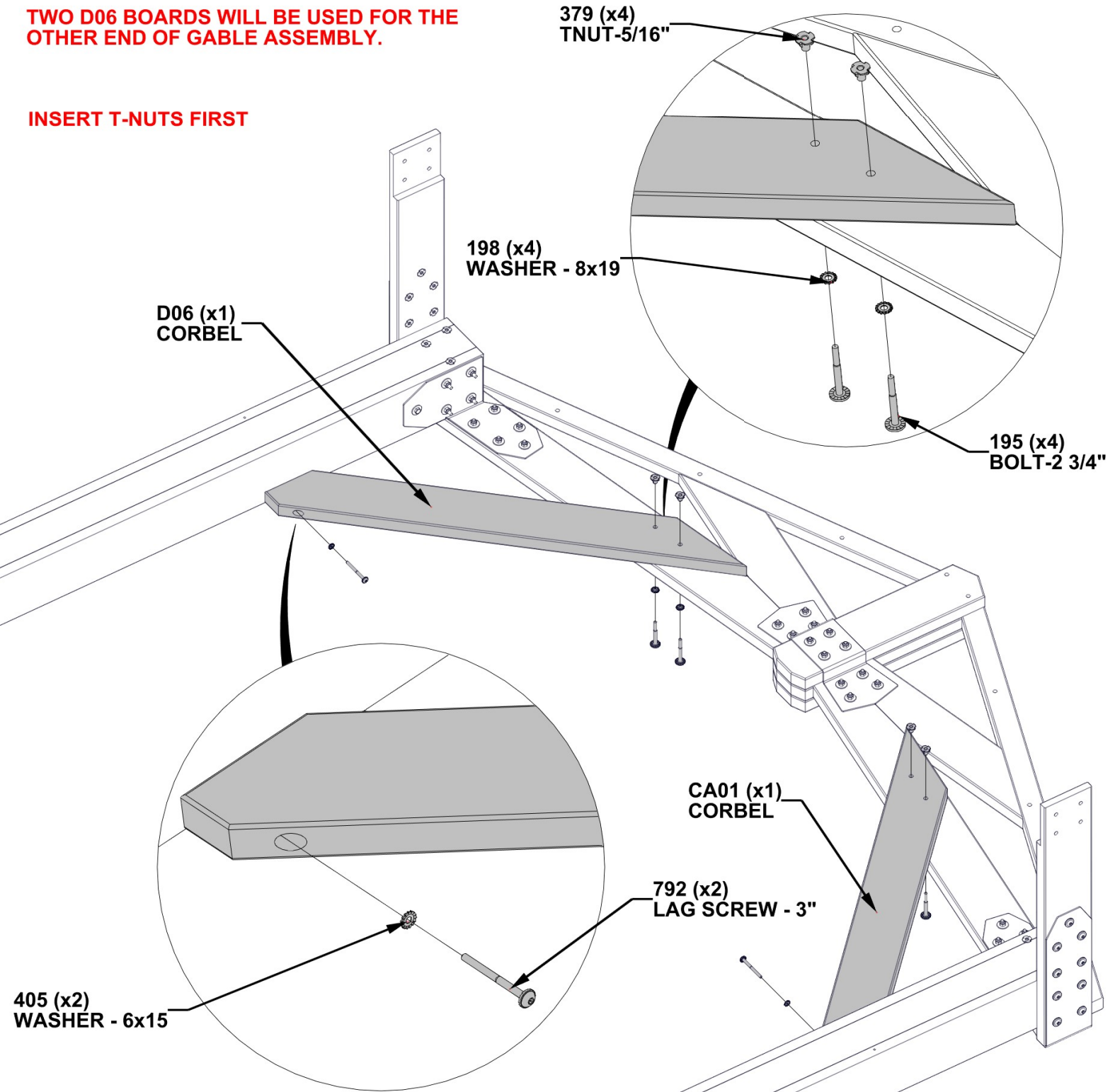
D06 CORBEL - W4L16855  
(x1) 1 3/8"X5 1/4"X45 5/8" (36x134x1160)

CA01 CORBEL - W2A03504  
(x1) 5 1/4"X1 3/8"X45 5/8" (134x36x1160)

QTY	PART NUMBER	DESCRIPTION
2	H100792	LAG SCREW WH 1/4x3 BLK
2	H100405	WASHER LOCK EXT 6x15
4	H100379	TNUT-5/16" BLK
4	H100195	BOLT WH 5/16x2 3/4 BLK
4	H100198	WASHER LOCK EXT 8x19

**TWO D06 BOARDS WILL BE USED FOR THE OTHER END OF GABLE ASSEMBLY.**

**INSERT T-NUTS FIRST**



**REPEAT POST AND GABLE ASSEMBLY  
STEPS 1 THROUGH 6**

# STEP 7 - GAZEBO ASSEMBLY



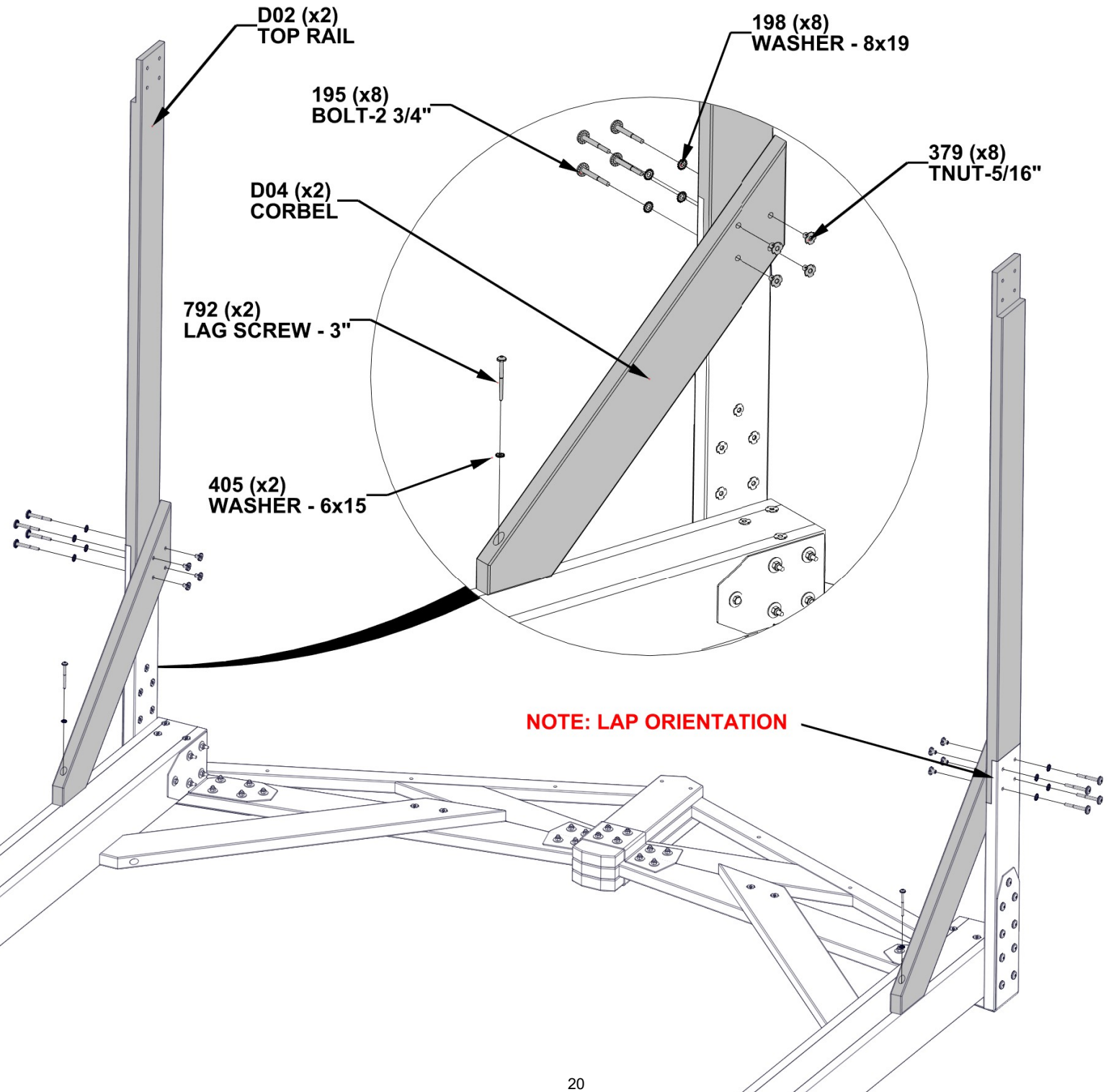
D02 TOP RAIL - W4L172201  
(x2) 1 7/16"x5 1/4"x64 5/16" (36x134x1634)



D04 CORBEL - W4L16853  
(x2) 1 3/8"x5 1/4"x35 7/8" (36x134x910)

QTY	PART NUMBER	DESCRIPTION
2	H100405	WASHER LOCK EXT 6x15
2	H100792	LAG SCREW WH 1/4x3 BLK
8	H100195	BOLT WH 5/16x2 3/4 BLK
8	H100198	WASHER LOCK EXT 8x19
8	H100379	TNUT-5/16" BLK

## INSERT T-NUTS FIRST





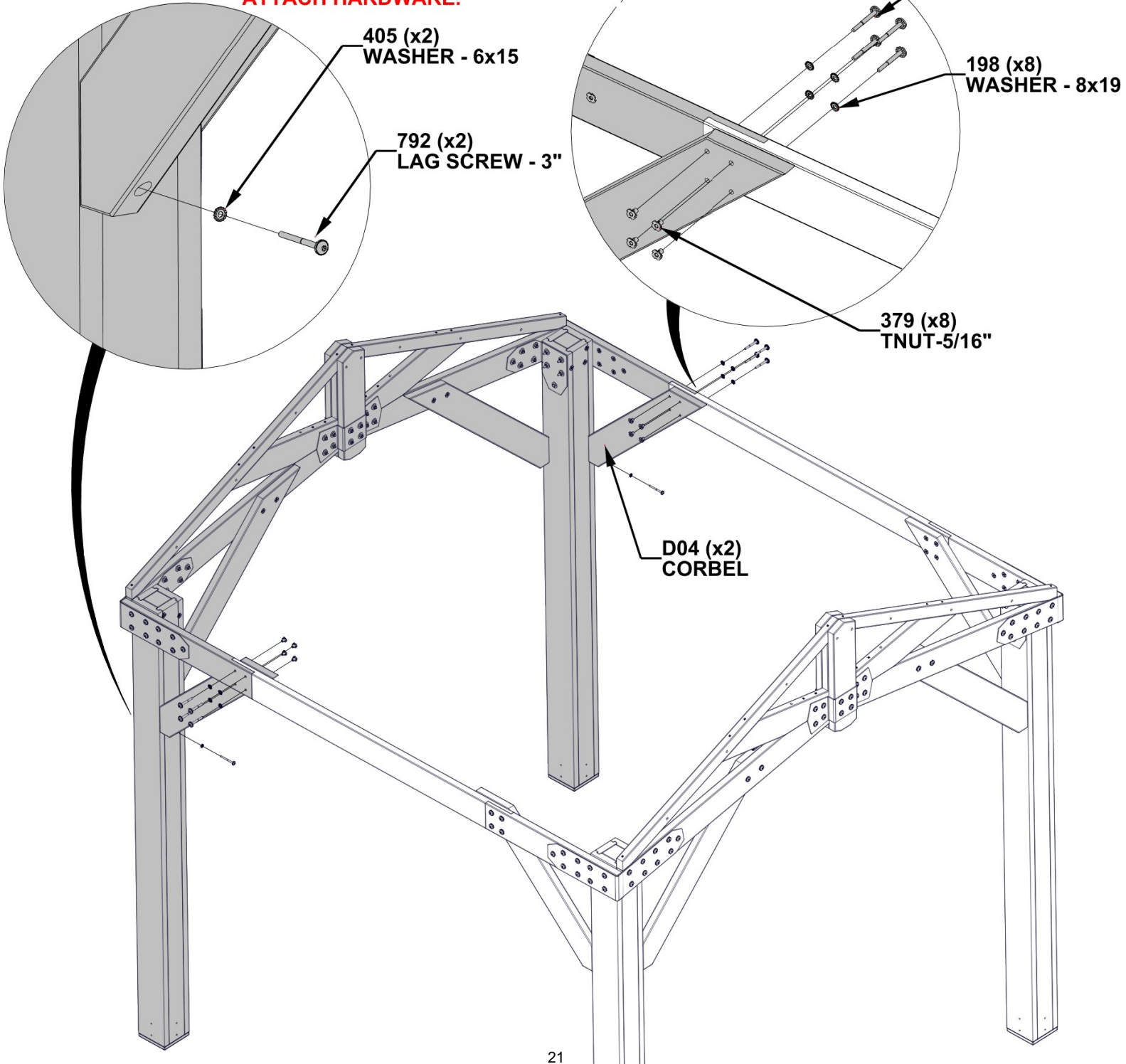
# STEP 8 - GAZEBO ASSEMBLY



D04 CORBEL - W4L16853  
(x2) 1 3/8"X5 1/4"X35 7/8" (36x134x910)

QTY	PART NUMBER	DESCRIPTION
2	H100792	LAG SCREW WH 1/4x3 BLK
2	H100405	WASHER LOCK EXT 6x15
8	H100195	BOLT WH 5/16x2 3/4 BLK
8	H100198	WASHER LOCK EXT 8x19
8	H100379	TNUT-5/16" BLK

**INSERT T-NUTS FIRST** FOR THIS STEP IT IS HELPFUL TO HAVE THREE ADDITIONAL PEOPLE TO HELP STAND UP ASSEMBLY AND ATTACH HARDWARE.

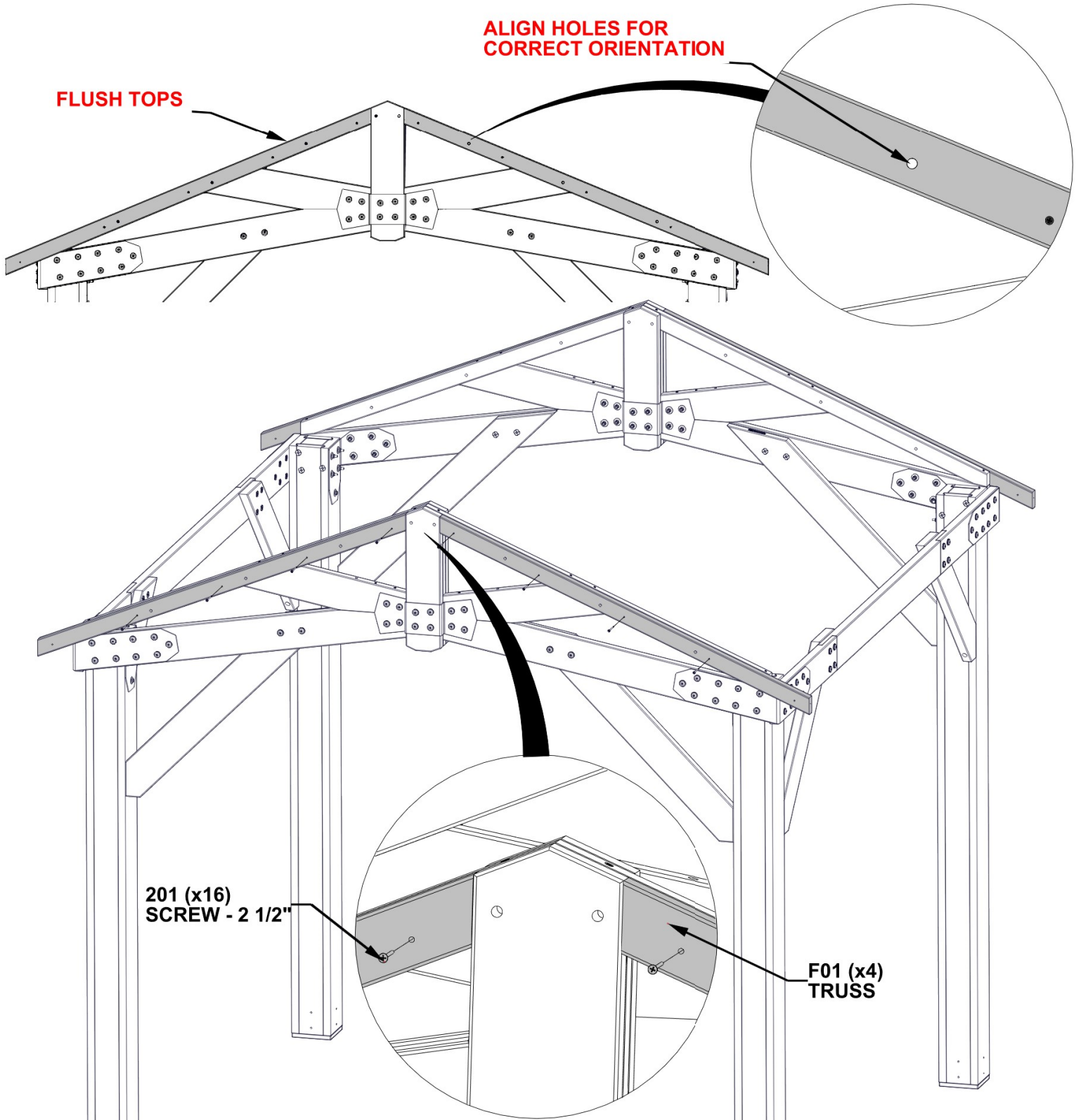


# STEP 9 - GAZEBO ASSEMBLY



F01 TRUSS - W4L17203  
(x4) 1 7/16"x2 3/8"x62 1/16" (36x60x1576)

QTY	PART NUMBER	DESCRIPTION
16	H100201	SCREW PFH 8x2 1/2 BLK





# STEP 10 - GAZEBO ASSEMBLY

QTY	PART NUMBER	DESCRIPTION
4	H100201	SCREW PFH 8x2 1/2 BLK
12	H100405	WASHER LOCK EXT 6x15
12	H100564	LAG SCREW WH 1/4x4 BLK



GP1 GABLE PANEL - W2A03515  
(x2) 2 13/16"x5 1/4"x67 3/16" (72x134x1706)

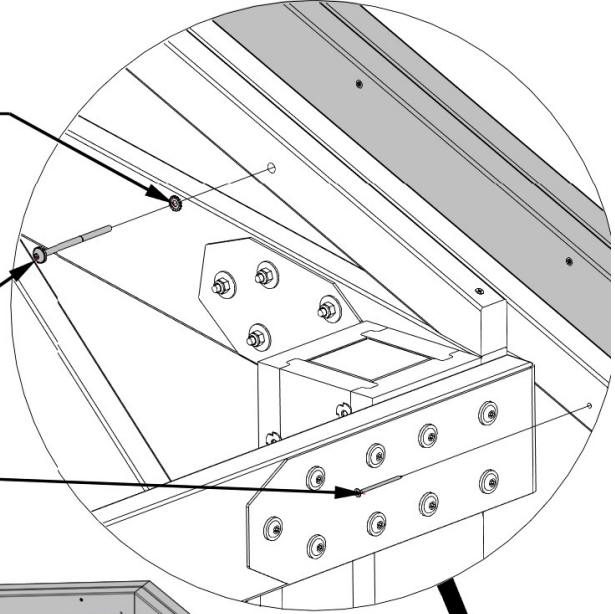


GP2 GABLE PANEL - W2A03516  
(x2) 2 13/16"x5 1/4"x67 3/16" (72x134x1706)

405 (x12)  
WASHER - 6x15

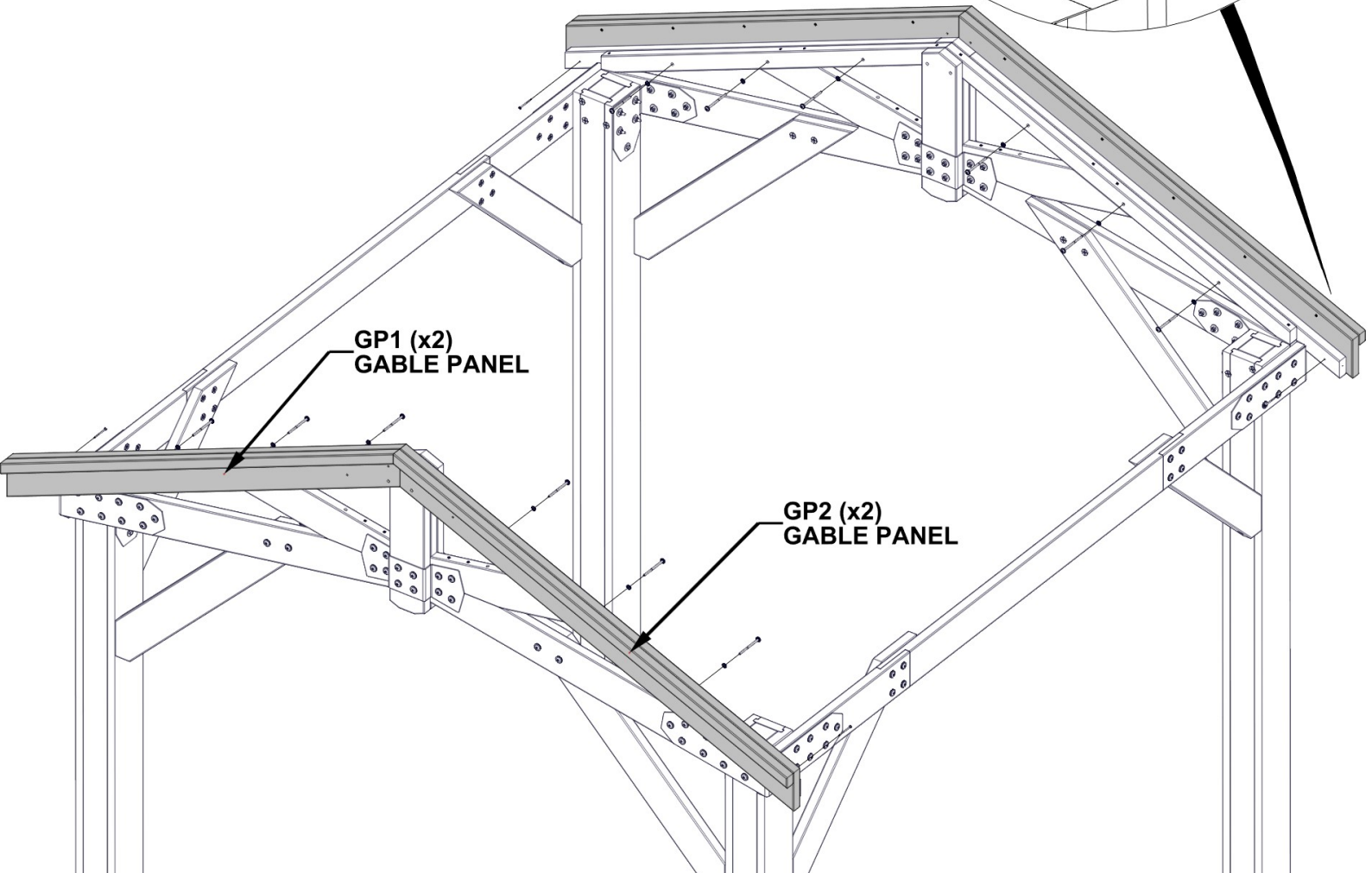
564 (x12)  
LAG SCREW - 4"

201 (x4)  
SCREW - 2 1/2"



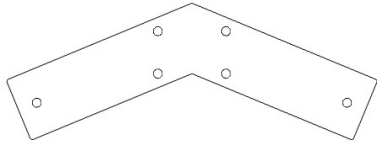
GP1 (x2)  
GABLE PANEL

GP2 (x2)  
GABLE PANEL

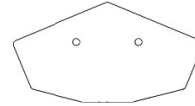


# STEP 11 - GAZEBO ASSEMBLY

QTY	PART NUMBER	DESCRIPTION
4	H100200	SCREW PFH 8x1 1/2 BLK
8	H100471	LAG SCREW WH 5/16x1 1/2 BLK

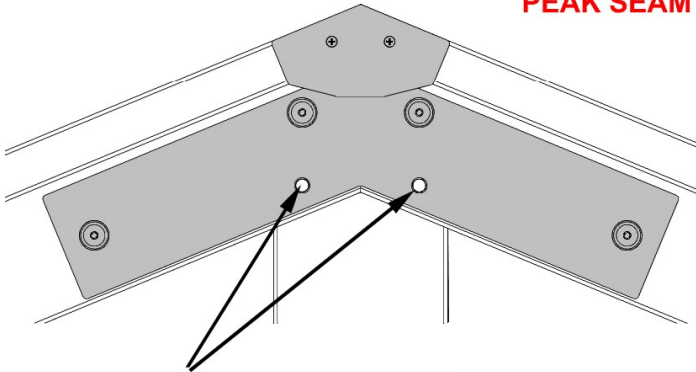


A4M01130 GABLE  
(x2) BRACKET



A4M01147 PEAK SEAM  
(x2) BRACKET

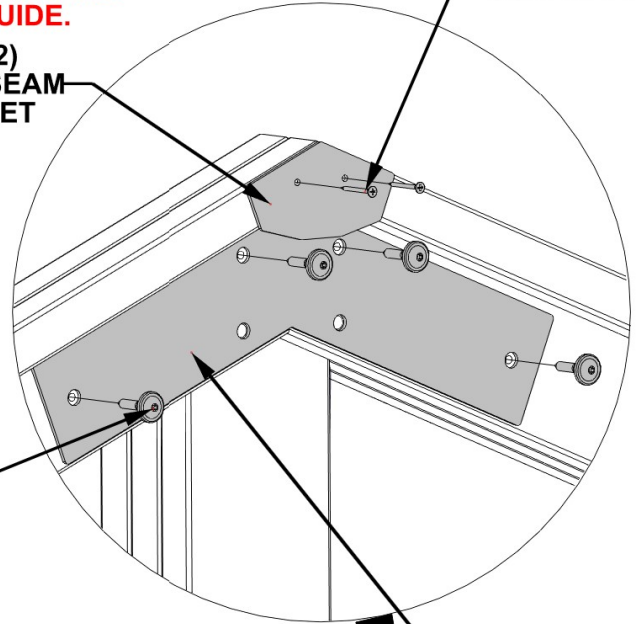
**FRONT VIEW**



**PRE-DRILL 1/8" (3mm) PILOT HOLES FOR SCREWS USING PEAK SEAM AS A GUIDE.**

1147 (x2)  
PEAK SEAM  
BRACKET

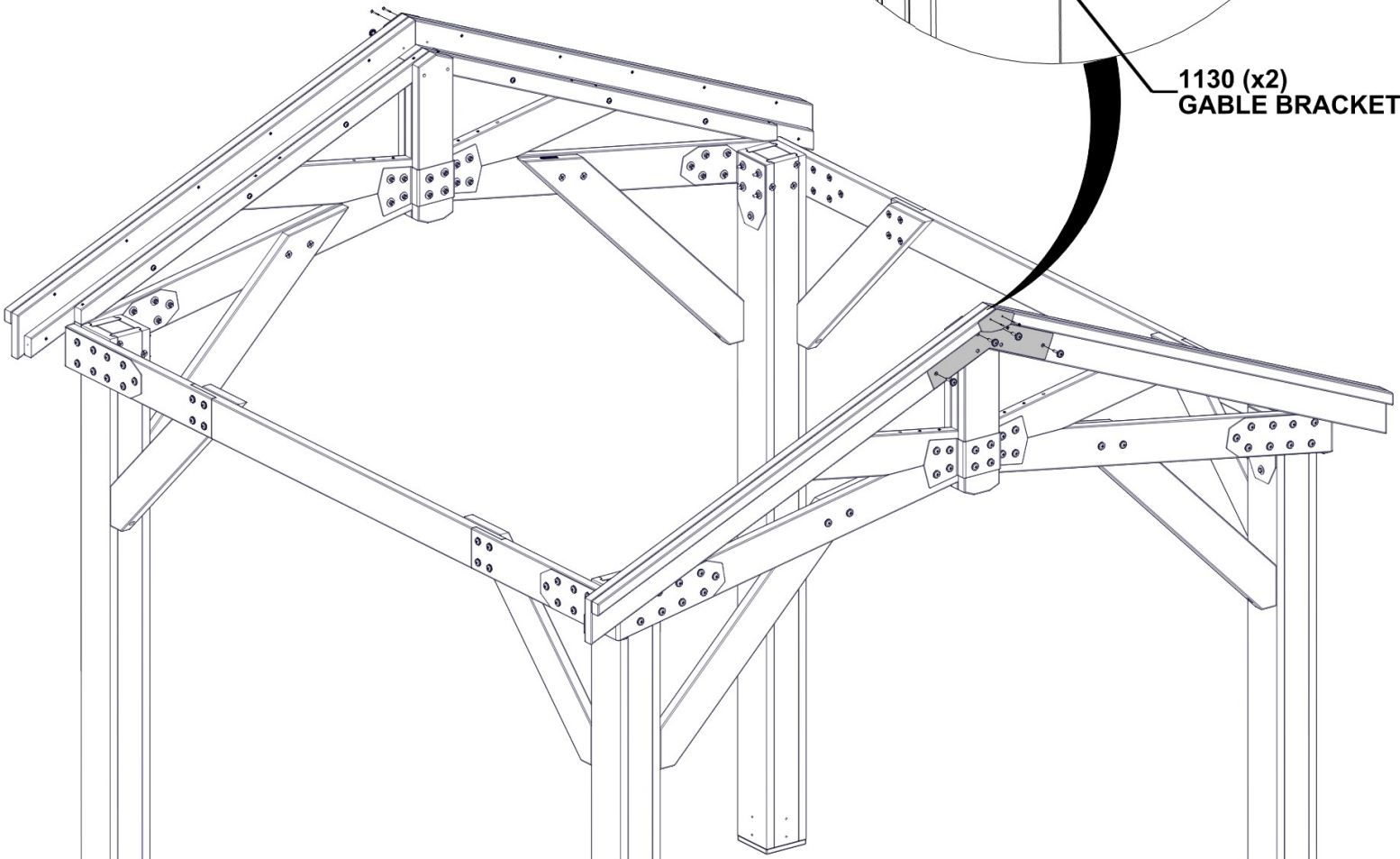
200 (x4)  
SCREW - 1 1/2"



471 (x8)  
LAG SCREW - 1 1/2"

1130 (x2)  
GABLE BRACKET

**TEMPORARILY ADD LONG BOLTS TO HELP ALIGN WOOD PARTS.**



# STEP 12 - ROOF PANEL ASSEMBLY

QTY	PART NUMBER	DESCRIPTION
16	H100391	SCREW PFH 8x2 BLK



E01 RAFTER - W4L17204  
(x2) 1 7/16"x3 3/8"x64 5/16" (36x86x1634)



H04 FASCIA - W4L17208  
(x1) 15/16"x3 3/8"x73 1/4" (24x86x1860)



H06 RIDGE - W4L172010  
(x1) 15/16"x3 3/8"x69" (24x86x1752)



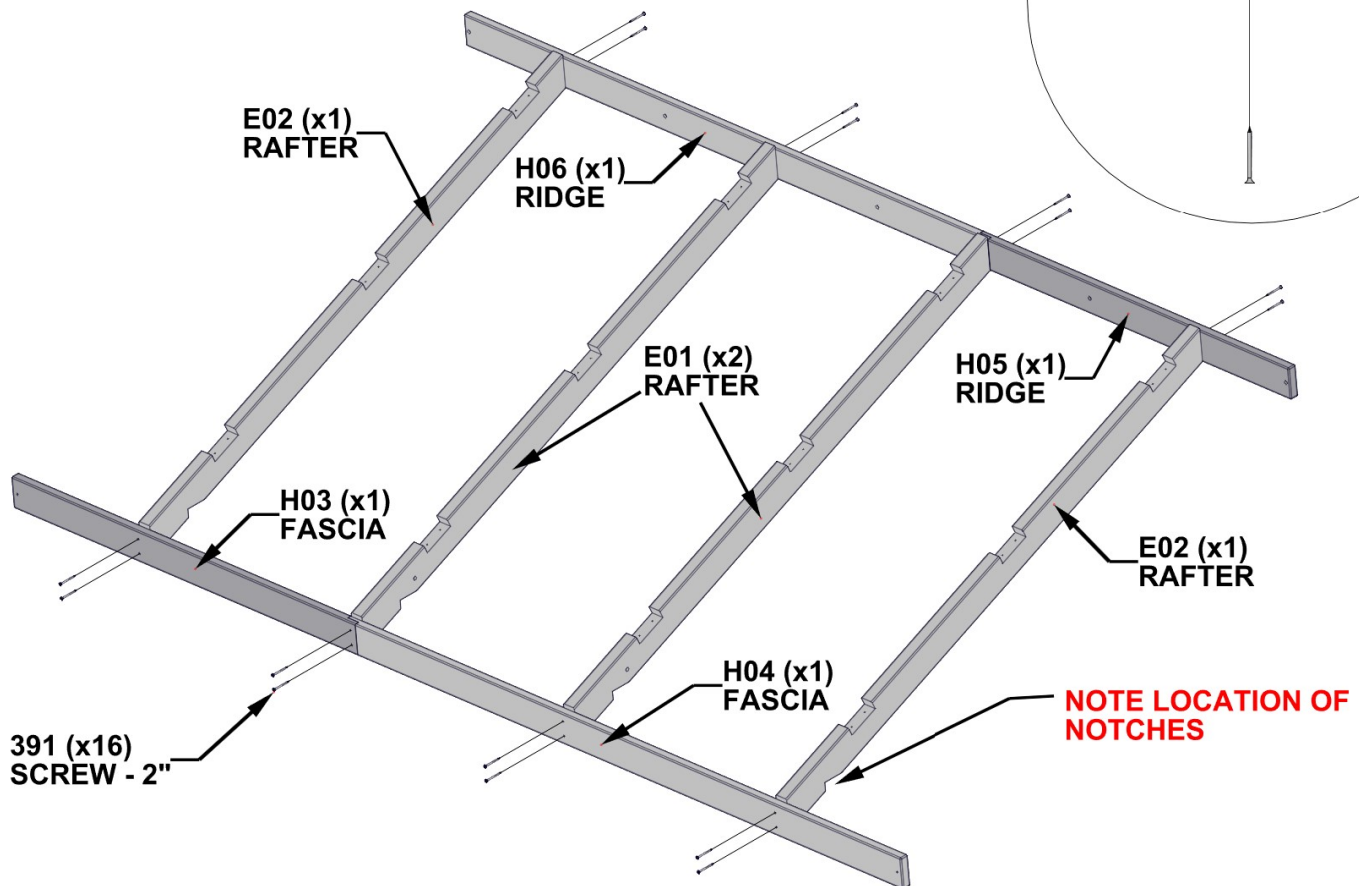
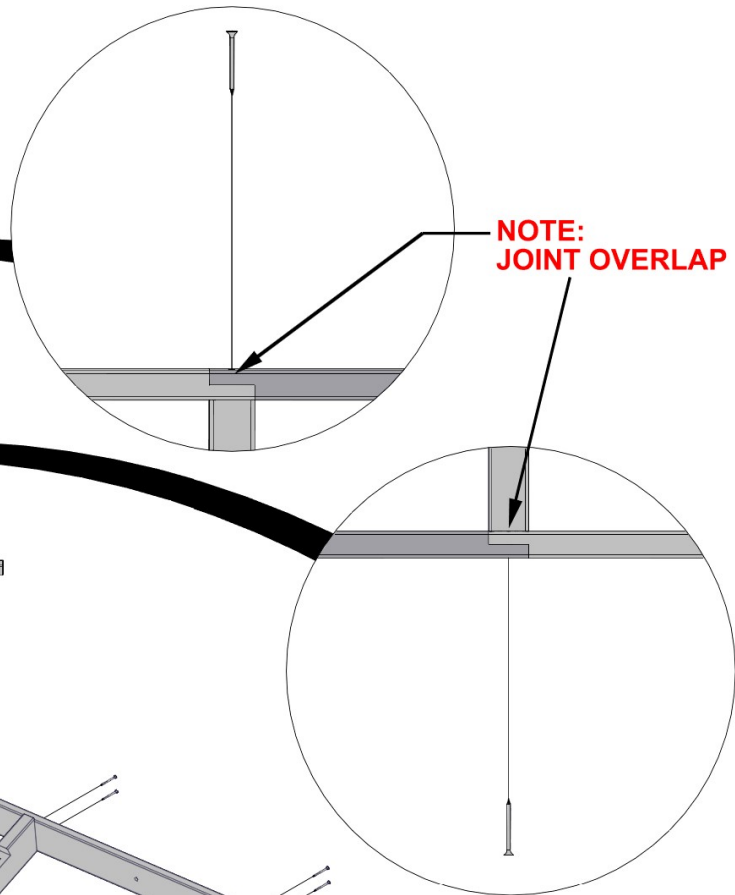
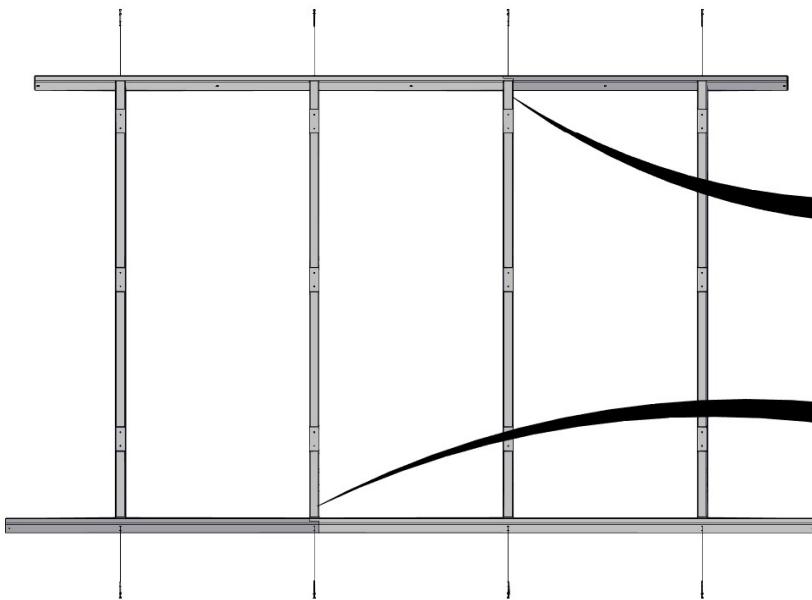
E02 RAFTER - W4L17213  
(x2) 1 7/16"x3 3/8"x64 5/16" (36x86x1634)



H03 FASCIA - W4L17207  
(x1) 15/16"x3 3/8"x45 1/4" (24x86x1150)



H05 RIDGE - W4L17209  
(x1) 15/16"x3 3/8"x41" (24x86x1042)





# STEP 13A - ROOF PANEL ASSEMBLY

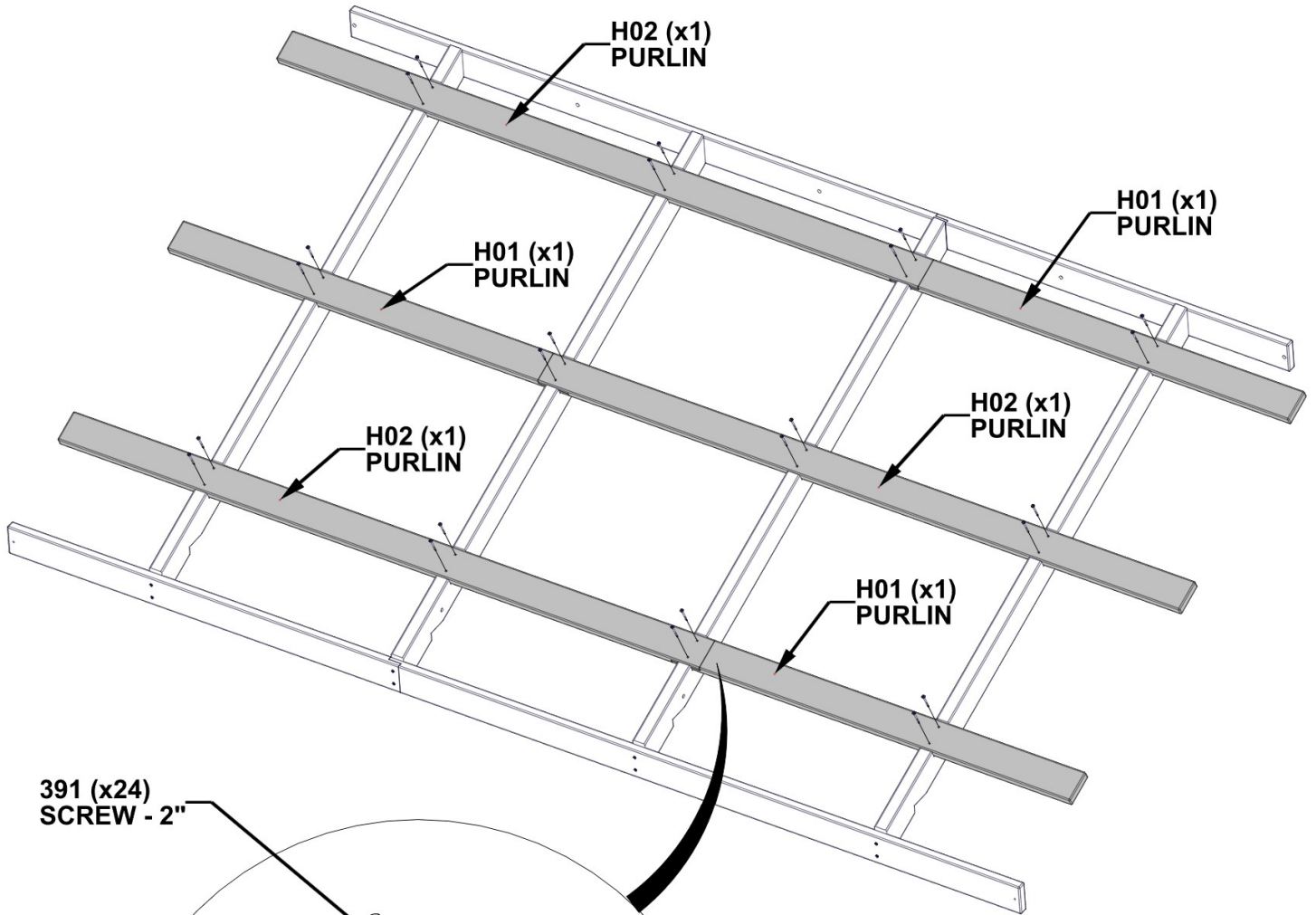


H01 PURLIN - W4L17205  
(x3) 15/16"x3 3/8"x46 1/4" (24x86x1175)

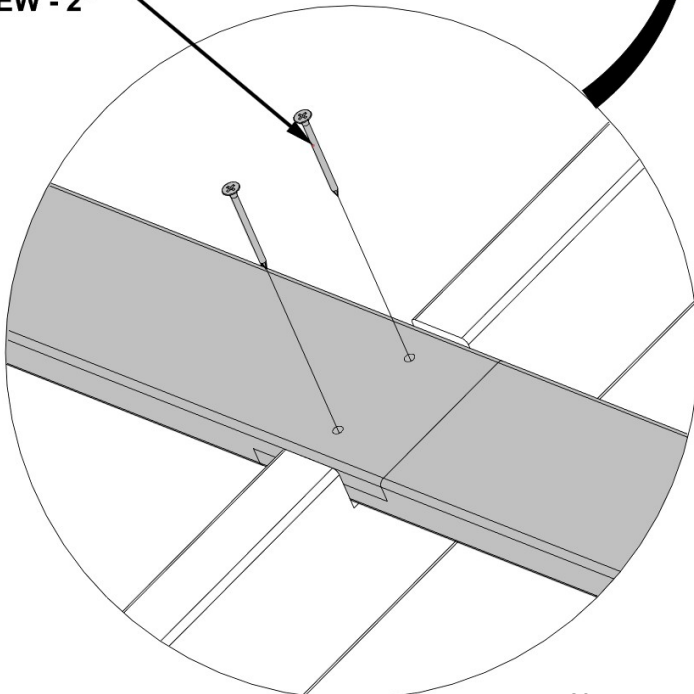
QTY	PART NUMBER	DESCRIPTION
24	H100391	SCREW PFH 8x2 BLK



H02 PURLIN - W4L17206  
(x3) 15/16"x3 3/8"x74 3/16" (24x86x1885)



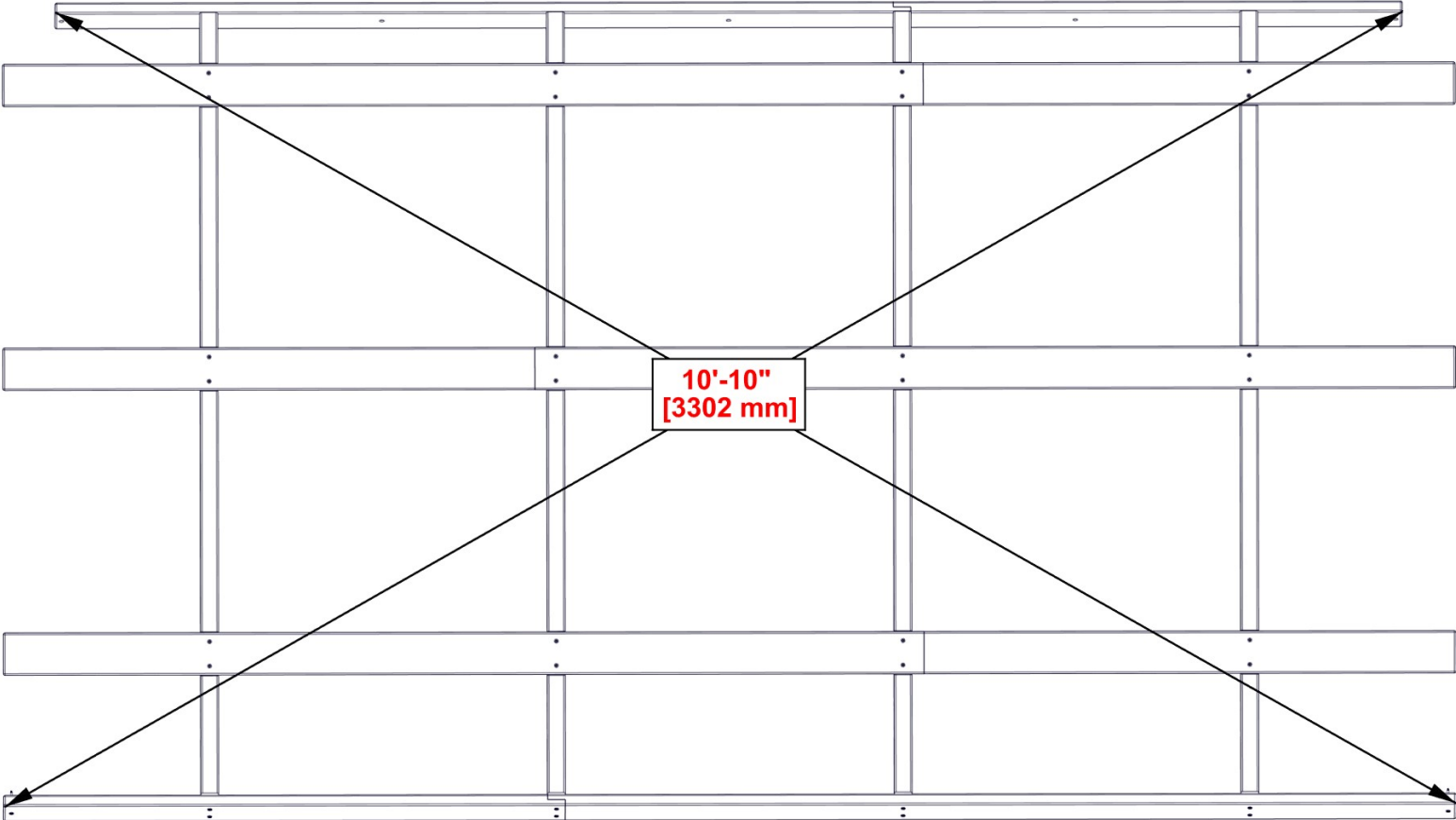
391 (x24)  
SCREW - 2"



# STEP 13B - ROOF PANEL ASSEMBLY

TIP: LOOSEN HARDWARE TO ADJUST FOR SQUARING IF NEEDED.

- CRITICAL:**
- SQUARE UNIT BEFORE PROCEEDING TO NEXT STEPS.
  - THE BELOW DIMENSIONS ARE CRITICAL TO THE FINAL ROOF ASSEMBLY.
  - MEASUREMENTS SHOULD BE HELD WITHIN +/- 1/4".
  - MEASUREMENTS OUTSIDE OF TOLERANCE WILL LEAD TO THE INABILITY TO ASSEMBLE THE ROOF.



# STEP 14 - ROOF PANEL ASSEMBLY

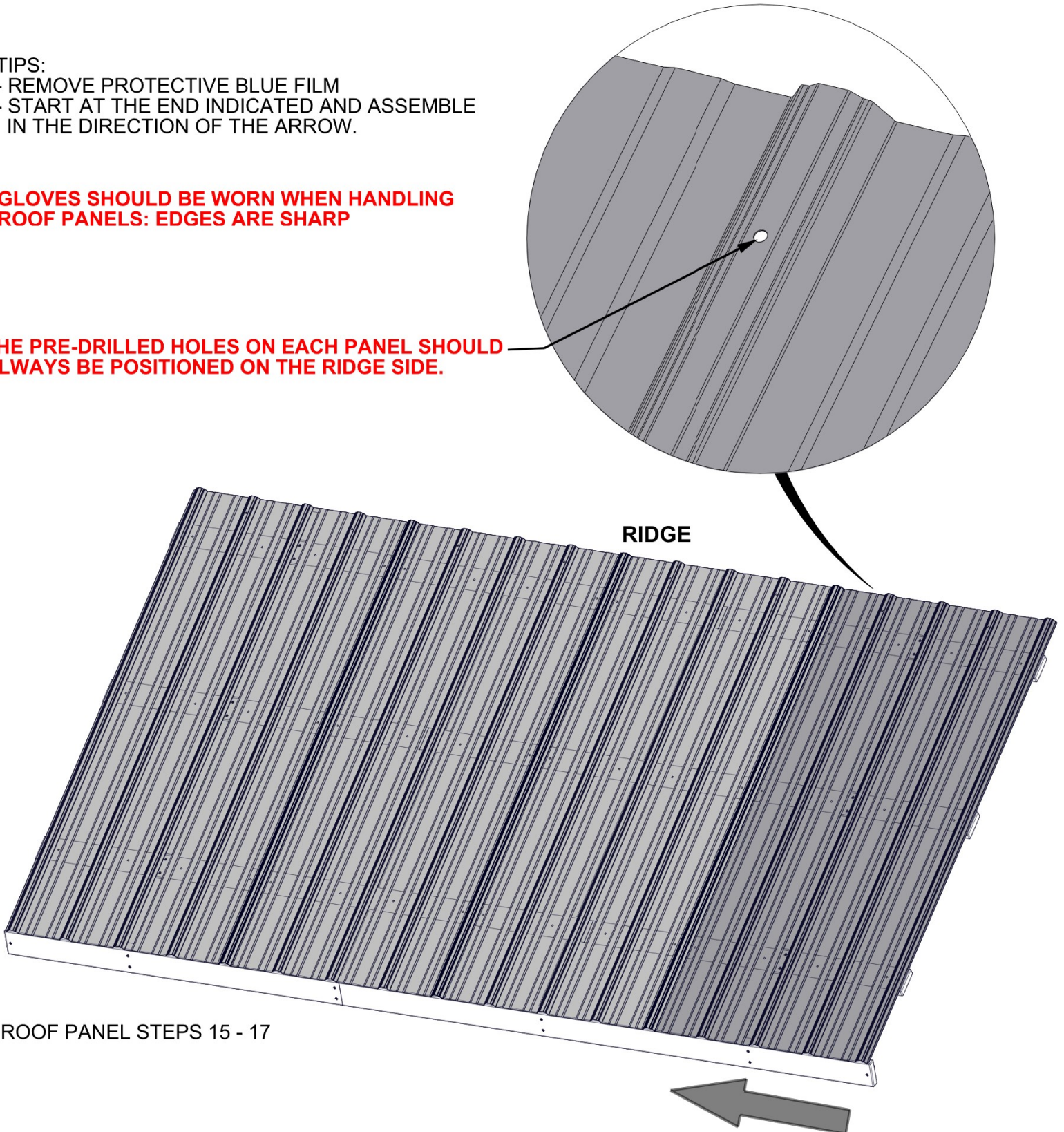
USE THIS PAGE TO FAMILIARIZE YOURSELF WITH THE ROOF PANEL AND ASSIST YOU IN STEPS 15 - 17.

**TIPS:**

- REMOVE PROTECTIVE BLUE FILM
- START AT THE END INDICATED AND ASSEMBLE IN THE DIRECTION OF THE ARROW.

**GLOVES SHOULD BE WORN WHEN HANDLING ROOF PANELS: EDGES ARE SHARP**

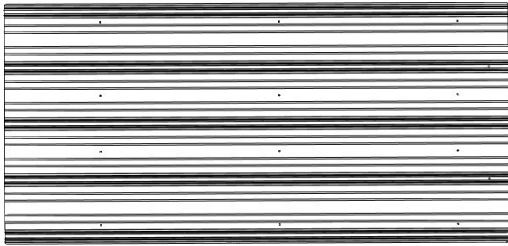
**THE PRE-DRILLED HOLES ON EACH PANEL SHOULD ALWAYS BE POSITIONED ON THE RIDGE SIDE.**



ROOF PANEL STEPS 15 - 17

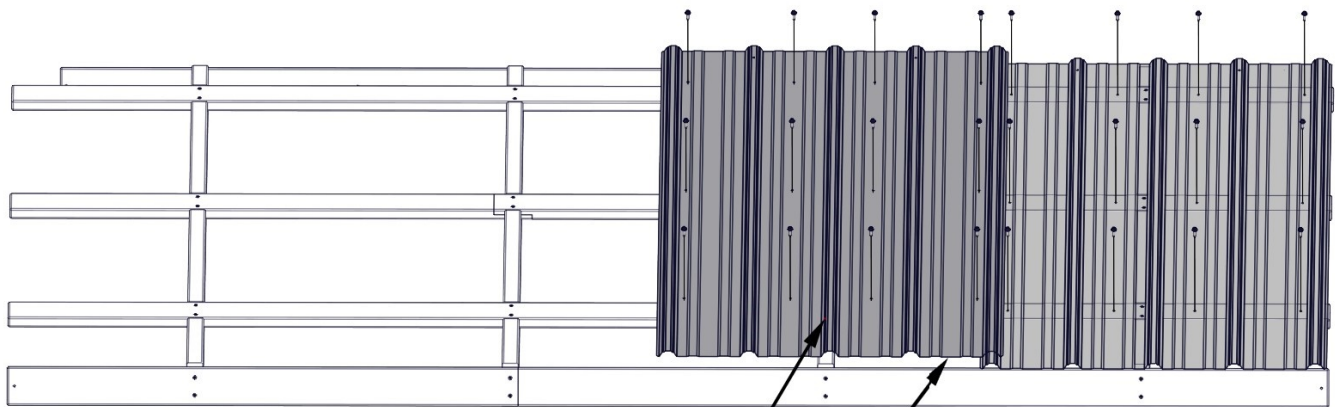
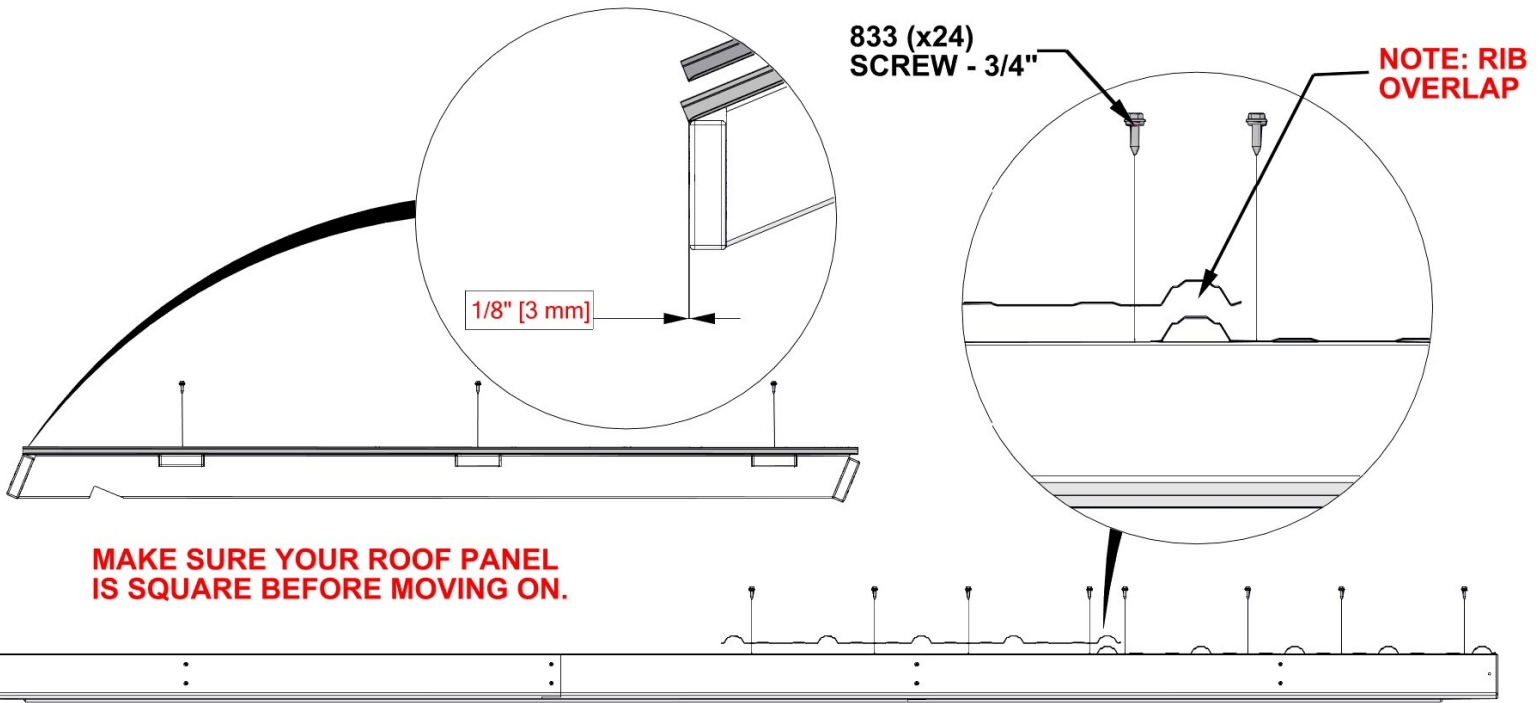


# STEP 15 - ROOF PANEL ASSEMBLY



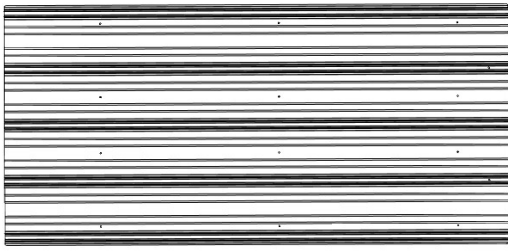
A4M01792 29GA STEEL SHEETING  
(x2)

QTY	PART NUMBER	DESCRIPTION
24	H100833	SCREW WOODGRIP 10-16x3/4"



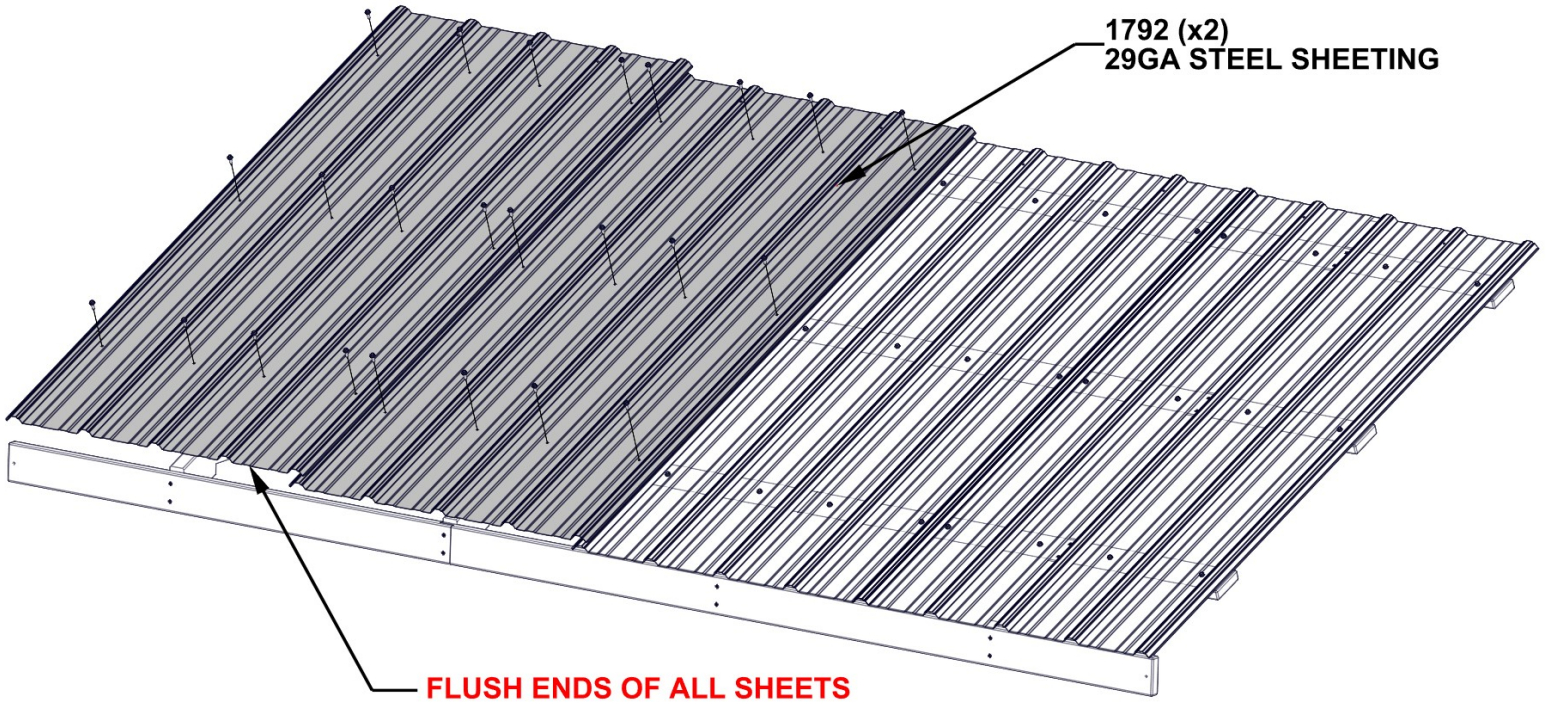
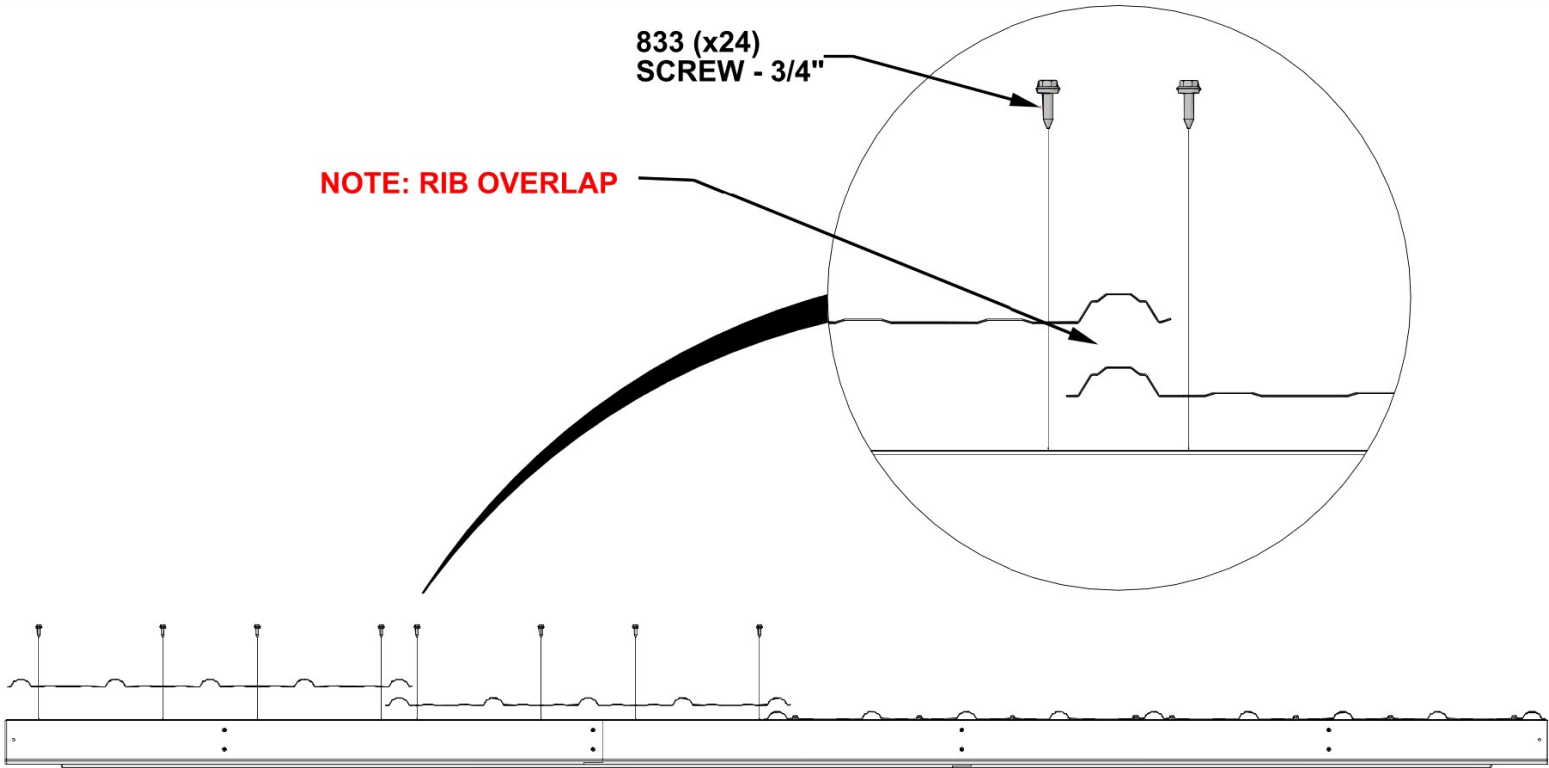
**HOLD SHEETING INSIDE OF FRAME  
MEASURING FROM RIB AS SHOWN.**

# STEP 16 - ROOF PANEL ASSEMBLY



A4M01792 29GA STEEL SHEETING  
(x2)

QTY	PART NUMBER	DESCRIPTION
24	H100833	SCREW WOODGRIP 10-16x3/4"





# STEP 17 - ROOF PANEL ASSEMBLY



A4M00983 ROOF EDGE TRIM SPLICE  
(x1)

QTY	PART NUMBER	DESCRIPTION
8	H100759	SCREW SELF TAPPING 1/4x1

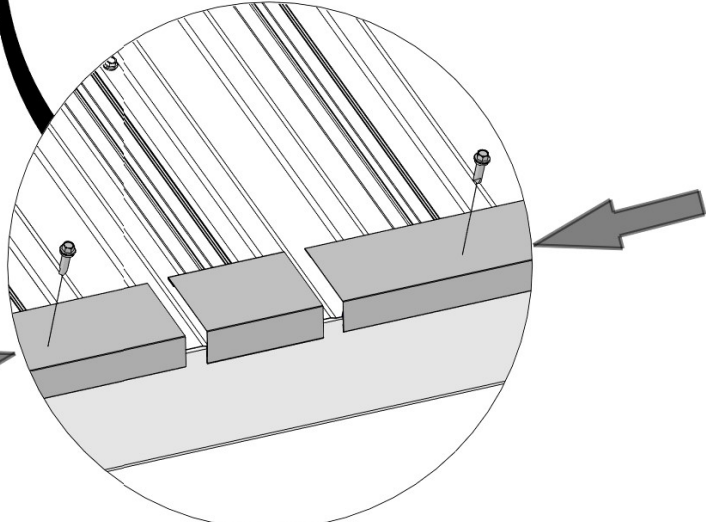
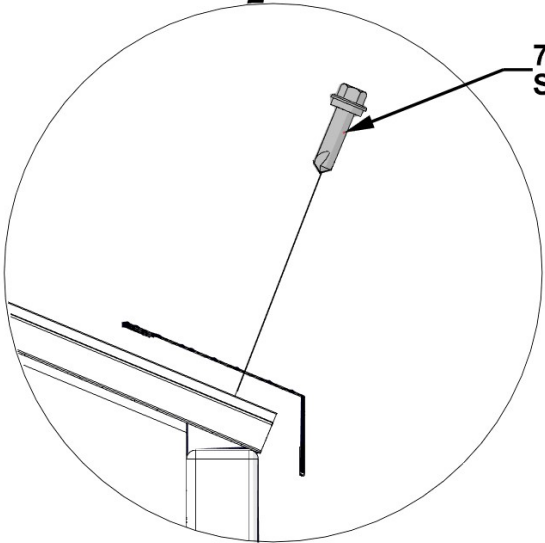
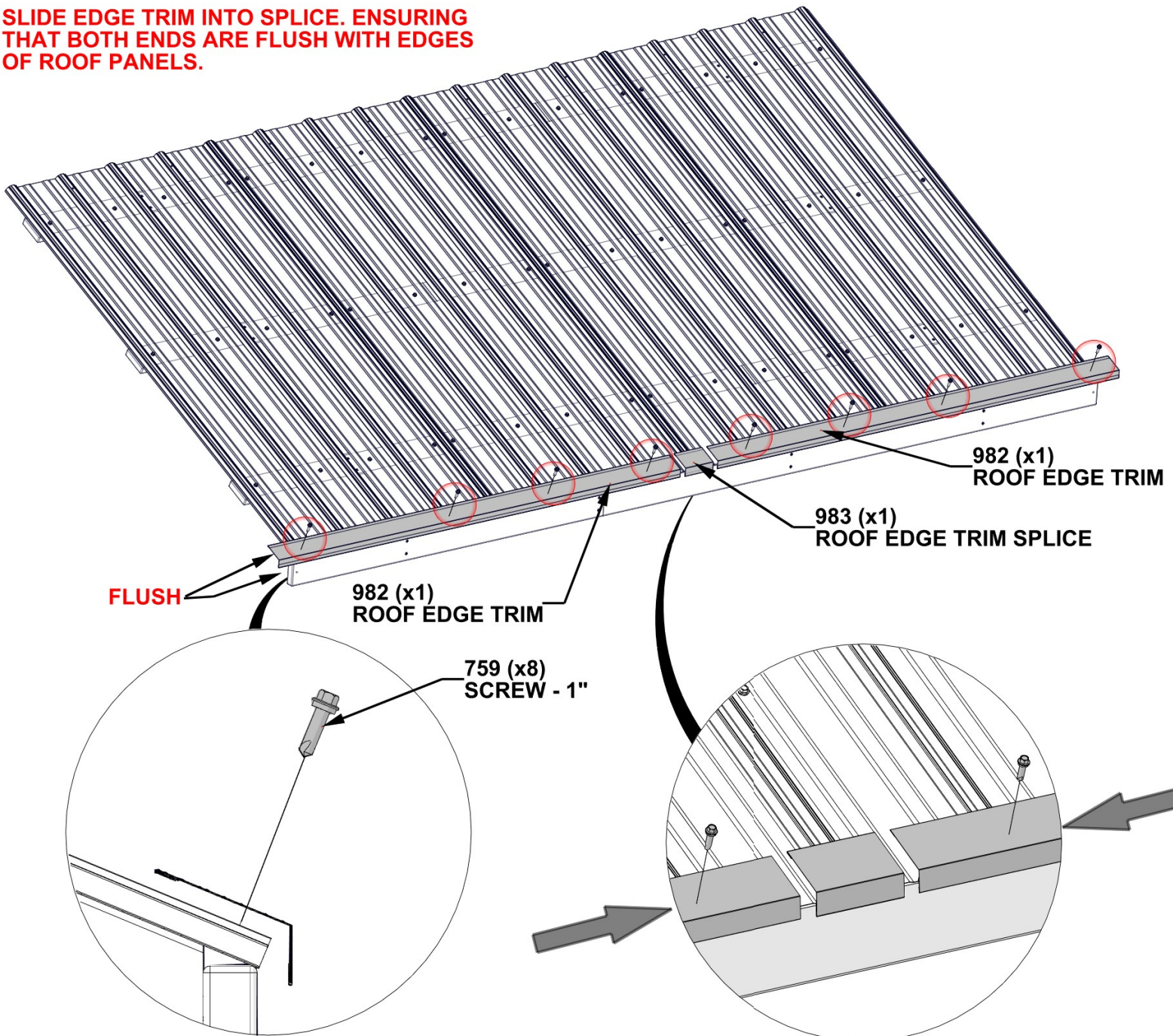


A4M00982 ROOF EDGE TRIM  
(x2)

DUE TO MULTIPLE LAYERS OF METAL ON THE EDGE TRIM, IT IS RECOMMENDED THAT A 1/8" DRILL BIT IS USED TO CREATE STARTER HOLES.

**SCREWS GO THROUGH EDGE TRIM INTO THE TOP OF THE RIBS IN THE APPROXIMATE LOCATIONS SHOWN.**

**SLIDE EDGE TRIM INTO SPLICE. ENSURING THAT BOTH ENDS ARE FLUSH WITH EDGES OF ROOF PANELS.**



**REPEAT ASSEMBLY STEPS 12 THROUGH 17  
FOR OTHER ROOF PANEL**

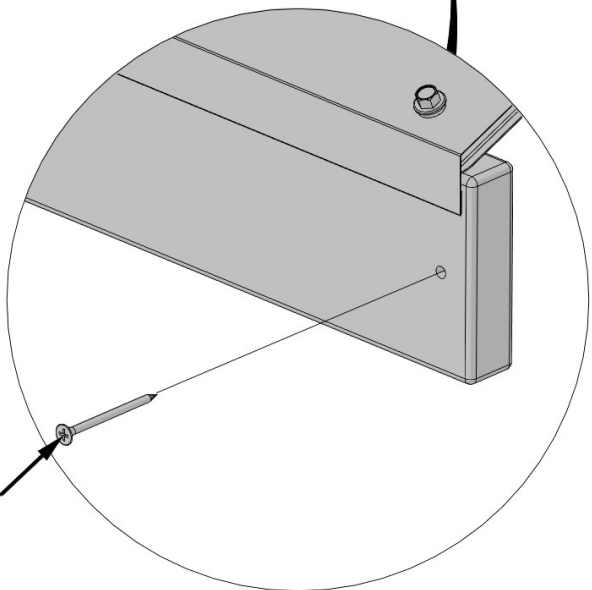
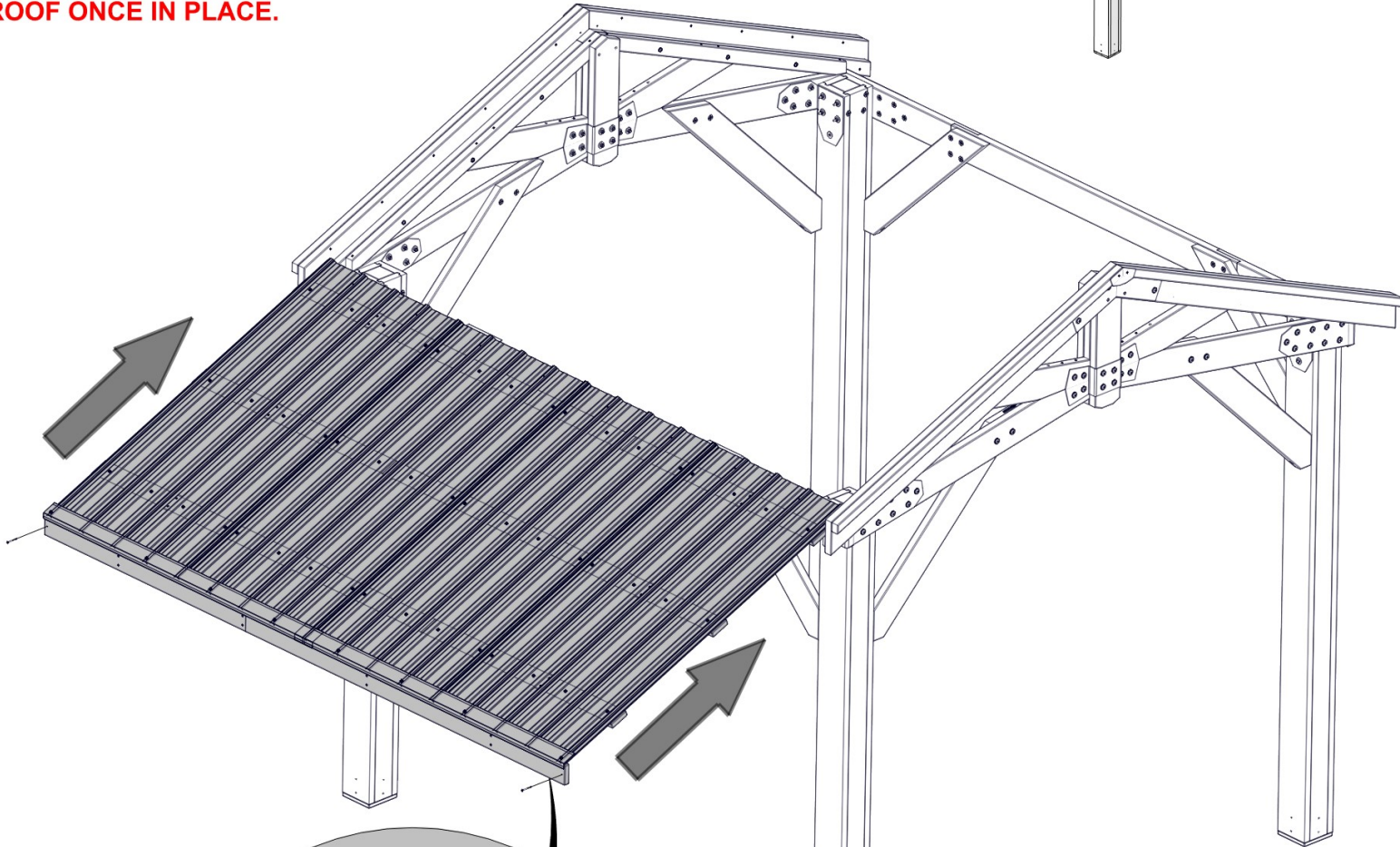
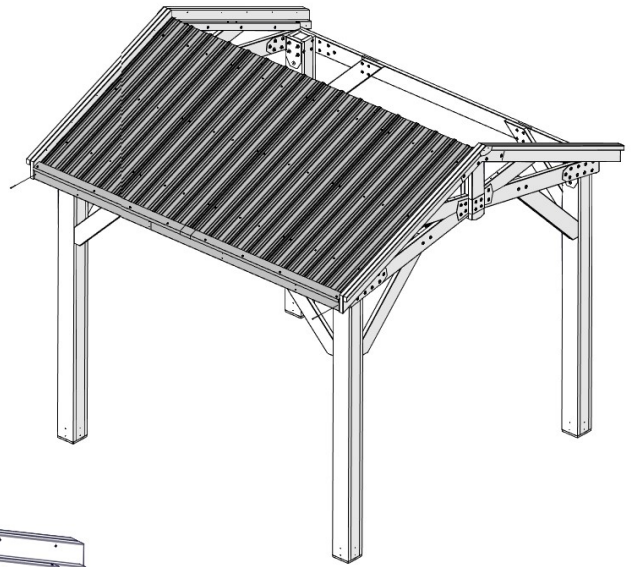


# STEP 18 - ROOF ASSEMBLY

QTY	PART NUMBER	DESCRIPTION
2	H100391	SCREW PFH 8x2 BLK

**WITH AT LEAST TWO PEOPLE, LIFT ASSEMBLED ROOF PANEL AND SLIDE IT INTO THE TRACKS ON THE RAFTERS. ONCE IN PLACE, INSTALL ATTACHMENT HARDWARE AS SHOWN.**

**A THIRD PERSON IS HELPFUL TO ATTACH ROOF ONCE IN PLACE.**



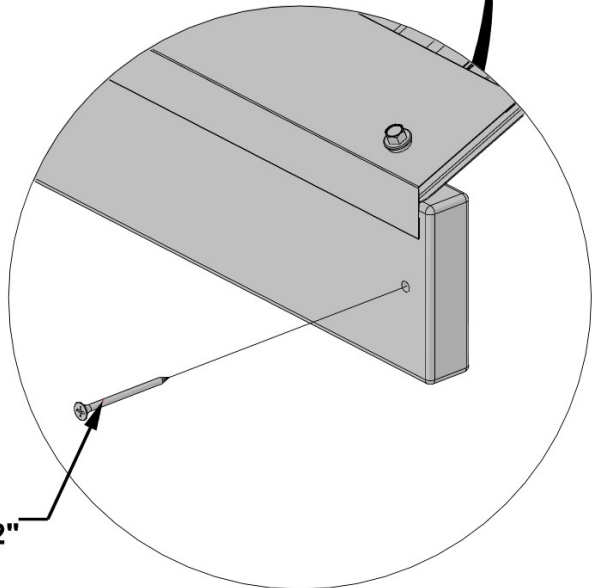
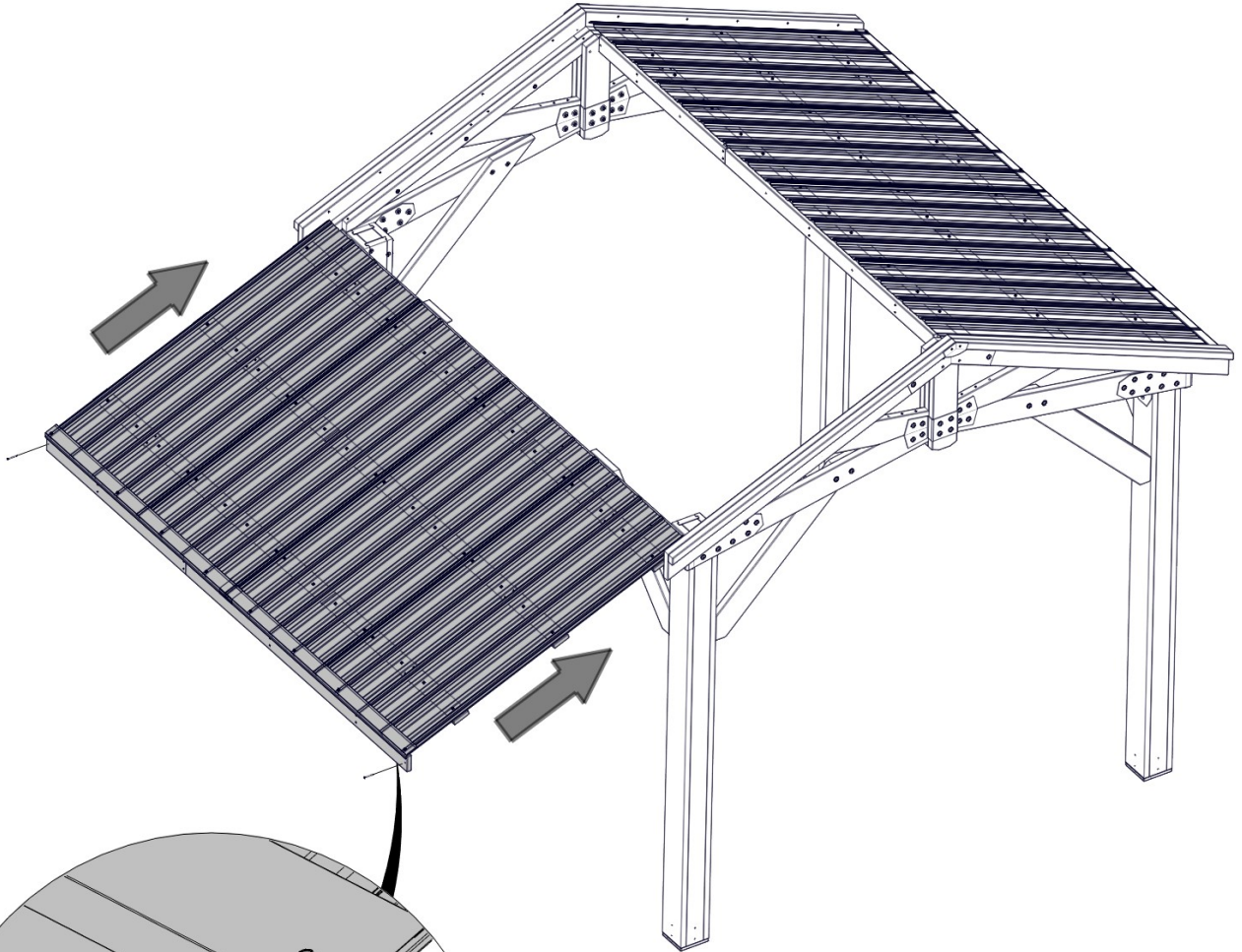
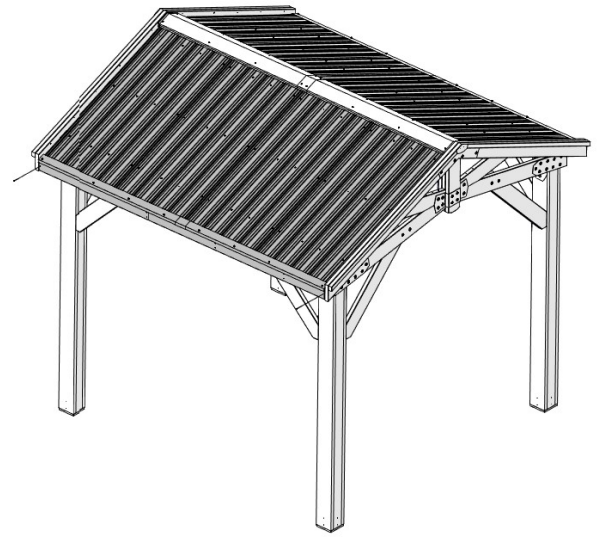
391 (x2)  
SCREW - 2"

# STEP 19 - ROOF ASSEMBLY

QTY	PART NUMBER	DESCRIPTION
2	H100391	SCREW PFH 8x2 BLK

**WITH AT LEAST TWO PEOPLE, LIFT ASSEMBLED ROOF PANEL AND SLIDE IT INTO THE TRACKS ON THE RAFTERS. ONCE IN PLACE, INSTALL ATTACHMENT HARDWARE AS SHOWN.**

**A THIRD PERSON IS HELPFUL TO ATTACH ROOF ONCE IN PLACE.**

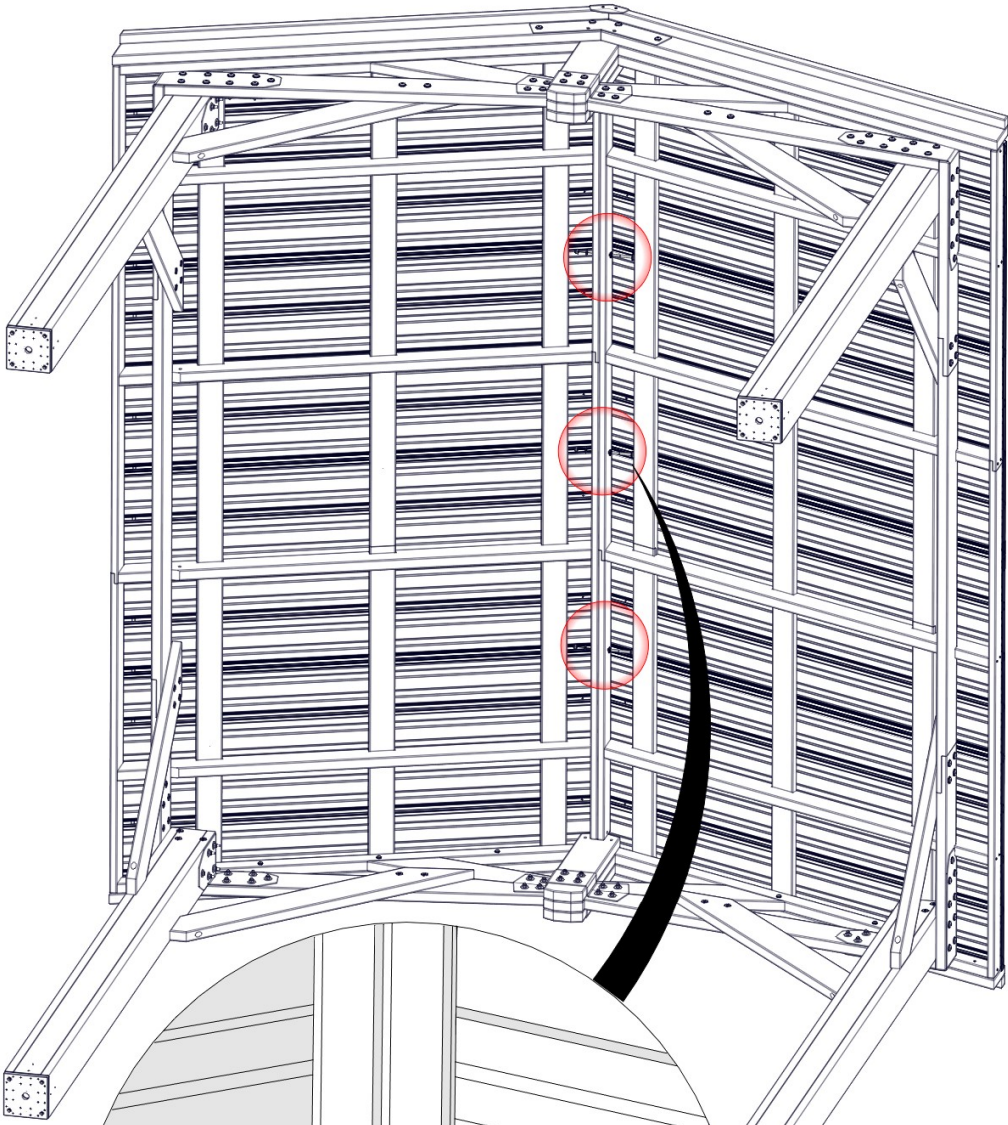


**391 (x2)  
SCREW - 2"**



# STEP 20 - ROOF ASSEMBLY

QTY	PART NUMBER	DESCRIPTION
3	H100479	NUT LOCK 5/16 BLK
3	H100478	WASHER FLAT 8x27 BLK
3	H100195	BOLT WH 5/16x2 3/4 BLK
3	H100198	WASHER LOCK EXT 8x19



479 (x3)  
LOCK NUT - 5/16"

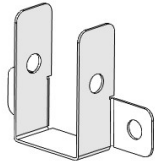
478 (x3)  
WASHER - 8x27

195 (x3)  
BOLT-2 3/4"

198 (x3)  
WASHER - 8x19

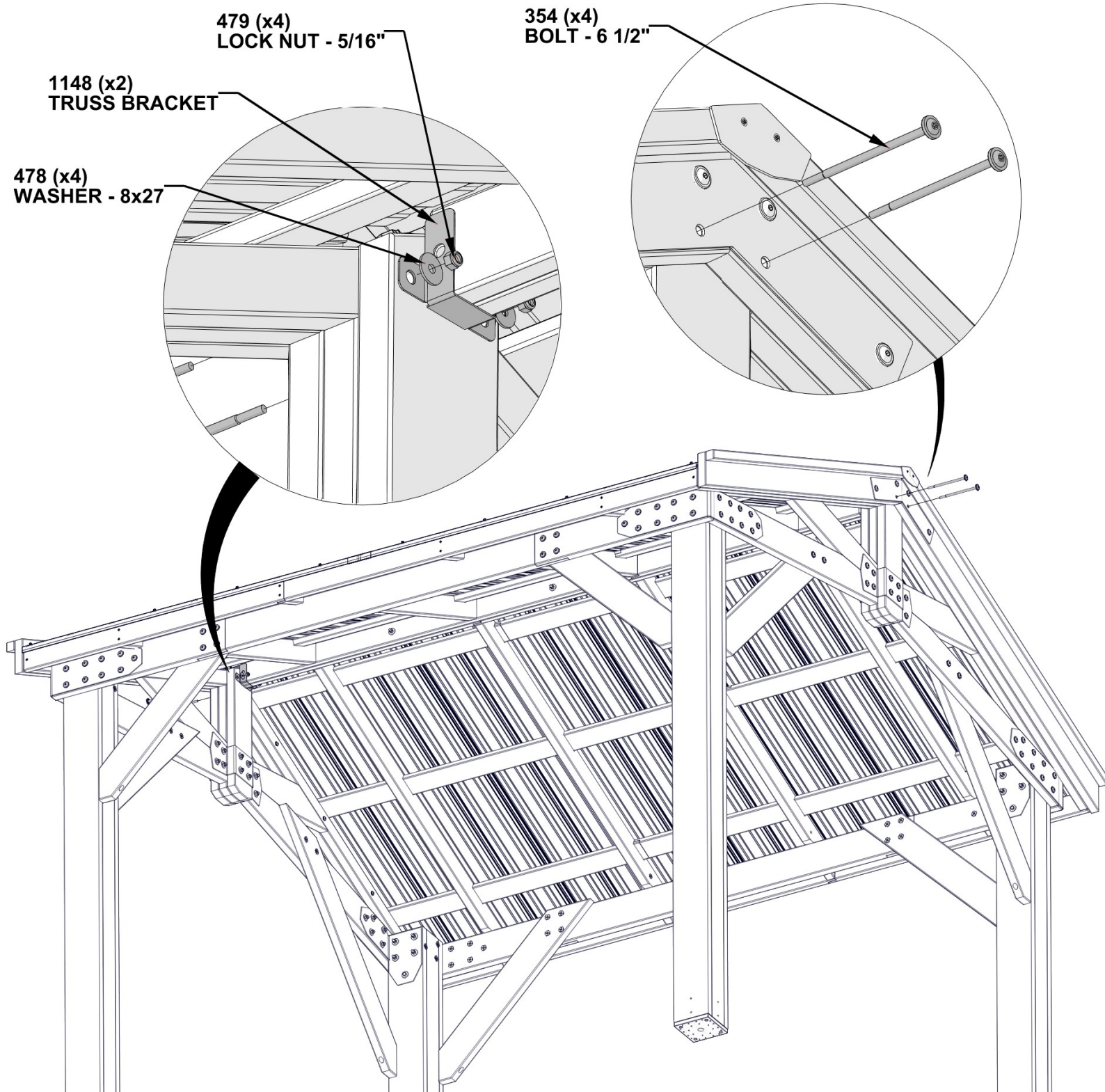


# STEP 21 - ROOF ASSEMBLY



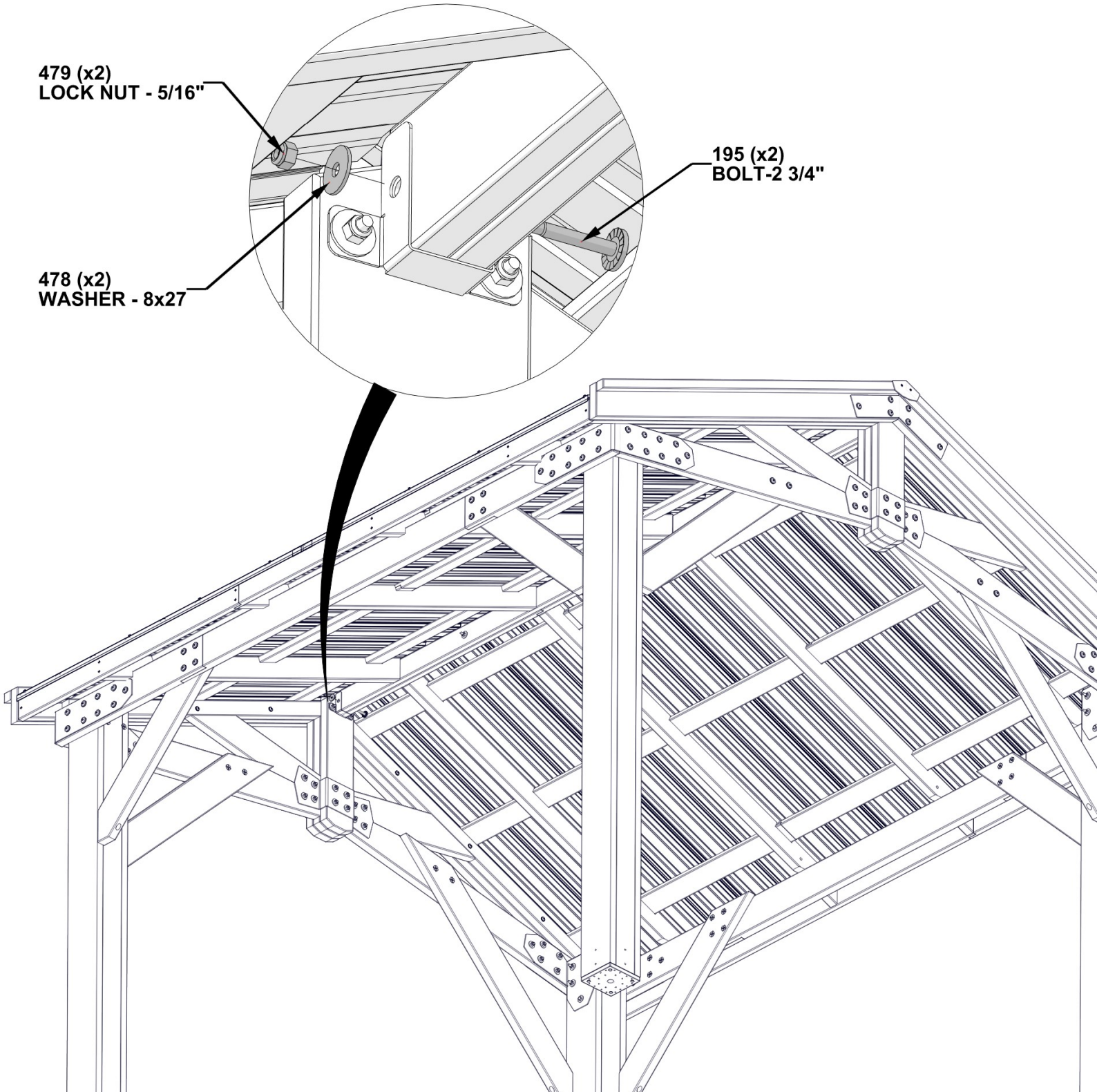
A4M01148 TRUSS BRACKET  
(x2)

QTY	PART NUMBER	DESCRIPTION
4	H100479	NUT LOCK 5/16 BLK
4	H100478	WASHER FLAT 8x27 BLK
4	H100354	BOLT WH 5/16x6 1/2 BLK



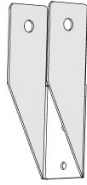
# STEP 22 - ROOF ASSEMBLY

QTY	PART NUMBER	DESCRIPTION
2	H100479	NUT LOCK 5/16 BLK
2	H100478	WASHER FLAT 8x27 BLK
2	H100195	BOLT WH 5/16x2 3/4 BLK



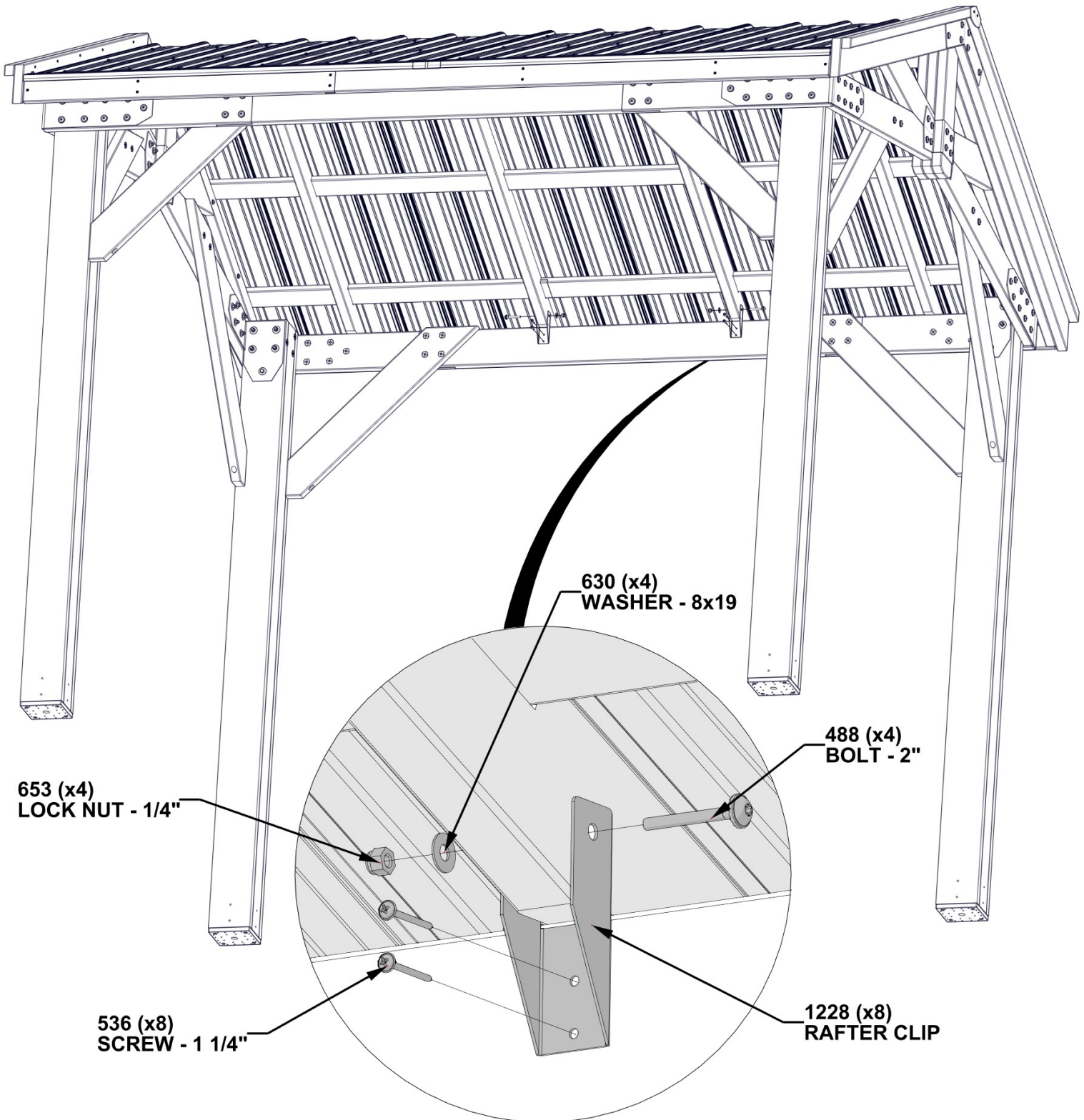


# STEP 23 - ROOF ASSEMBLY

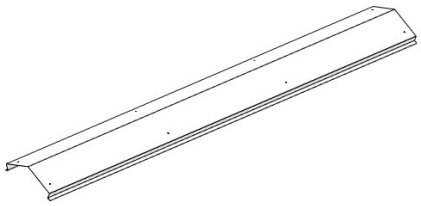


A4M01228 RAFTER CLIP  
(x4)

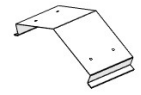
QTY	PART NUMBER	DESCRIPTION
4	H100488	BOLT WH 1/4x2 BLK
4	H100630	WASHER FLAT 8x19 BLK
4	H100653	NUT LOCK 1/4 BLK
8	H100536	SCREW PWH 8x1 1/4 BLK



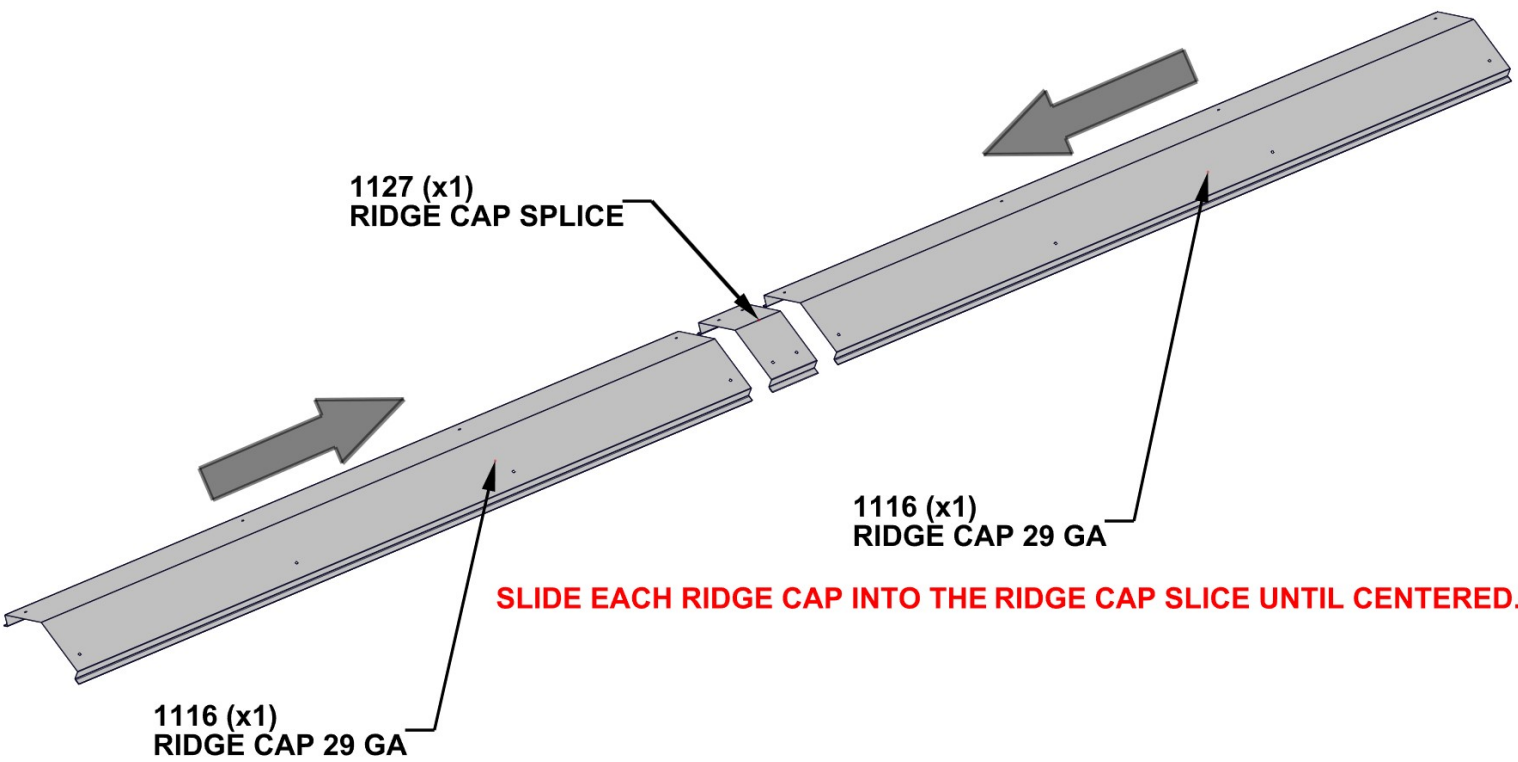
# STEP 24 - RIDGE CAP ASSEMBLY



A4M01116 RIDGE CAP 29 GA  
(x2)



A4M01127 RIDGE CAP SPLICE  
(x1)



# STEP 25 - RIDGE CAP ASSEMBLY

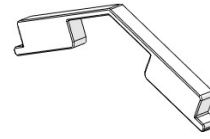
QTY	PART NUMBER	DESCRIPTION
16	H100833	SCREW WOODGRIP 10-16x3/4"



J01 RIDGE CAP STIFFENER - W4L17211  
(x2) 15/16"x2 3/8"x47 5/8" (24x60x1210)



J02 RIDGE CAP STIFFENER - W4L17212  
(x2) 15/16"x2 3/8"x69 5/16" (24x60x1760)

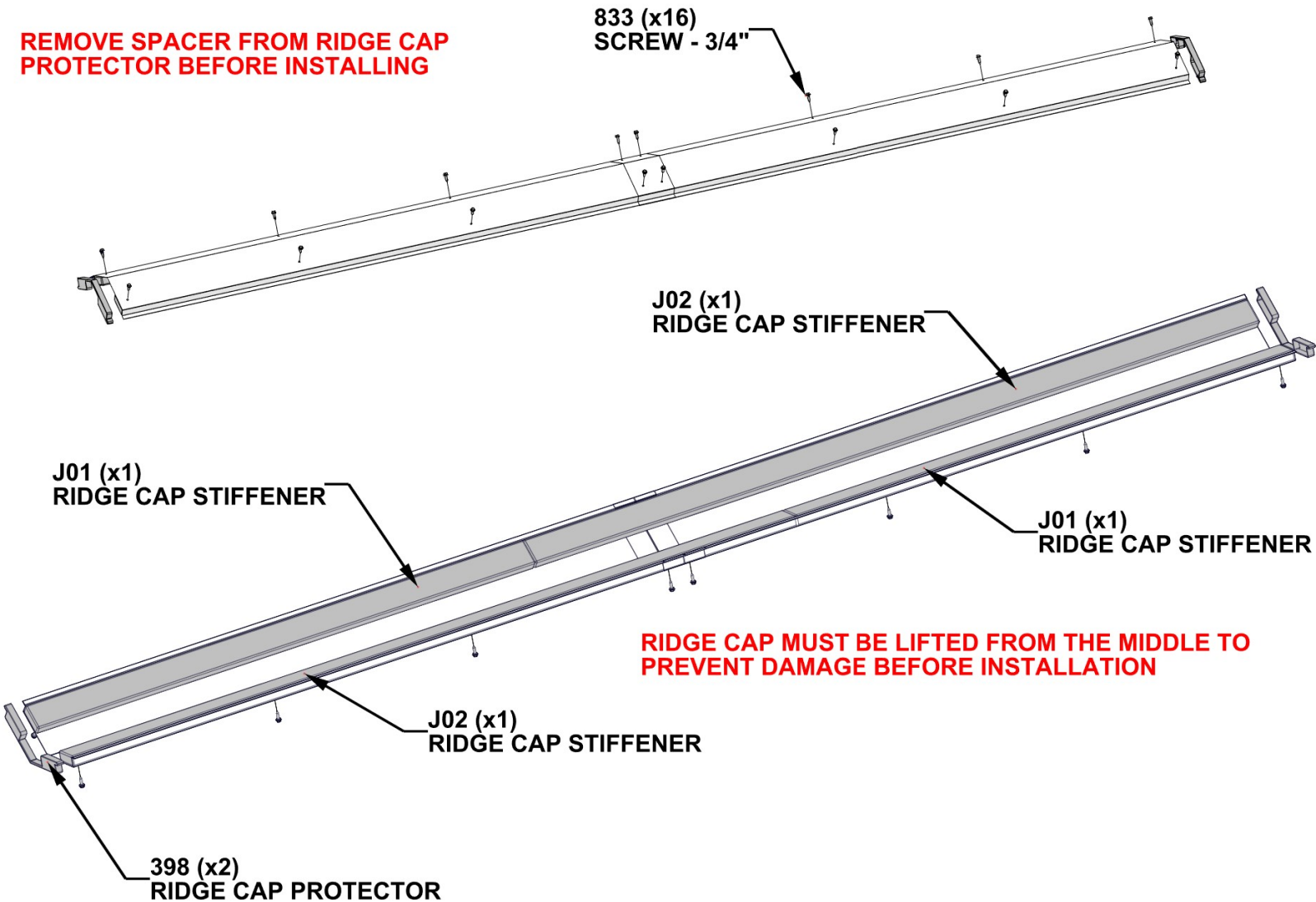


A6P00398 RIDGE CAP PROTECTOR  
(x2)

**ASSEMBLE BY ALIGNING THE HOLES ON EACH RIDGE CAP TO THE HOLES IN THE RIDGE CAP SPLICE.**

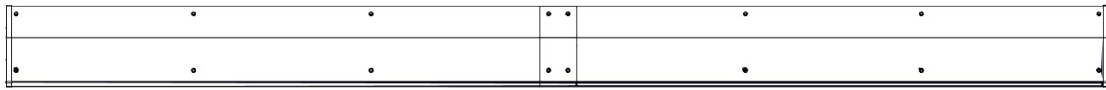
**FINAL LENGTH - 9'- 9" [2974 mm]**

**REMOVE SPACER FROM RIDGE CAP PROTECTOR BEFORE INSTALLING**





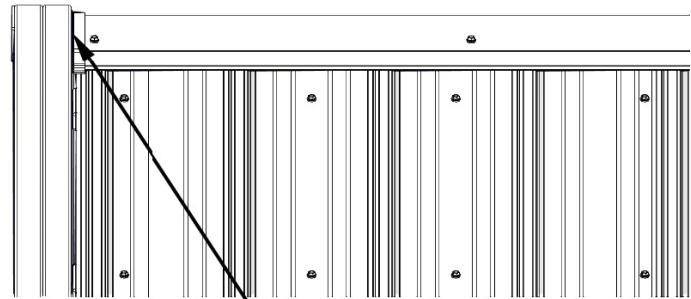
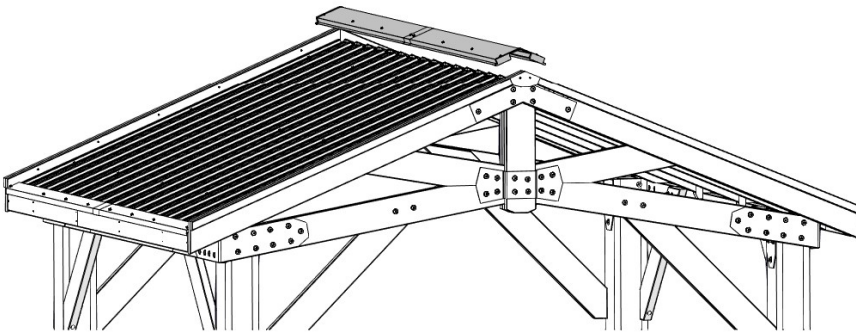
# STEP 26 - ROOF ASSEMBLY



RIDGE CAP ASSEMBLY - FROM PREVIOUS STEPS

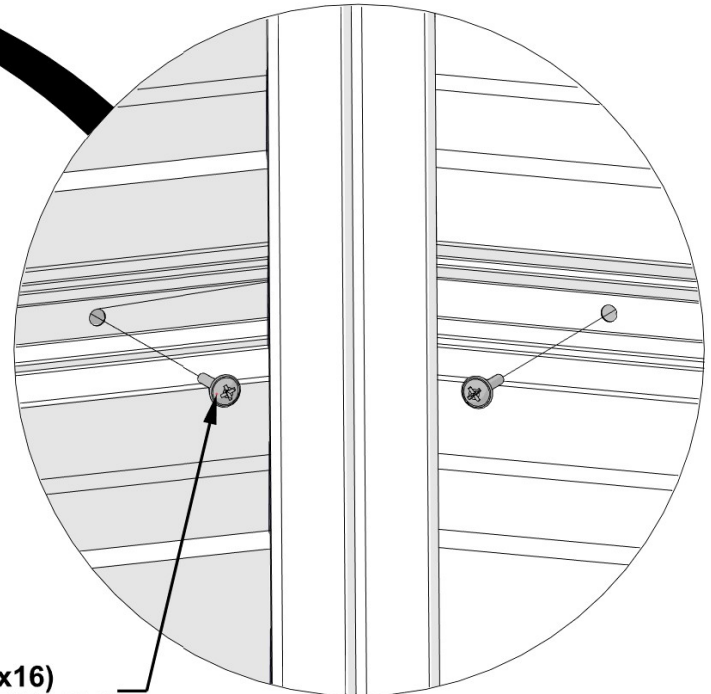
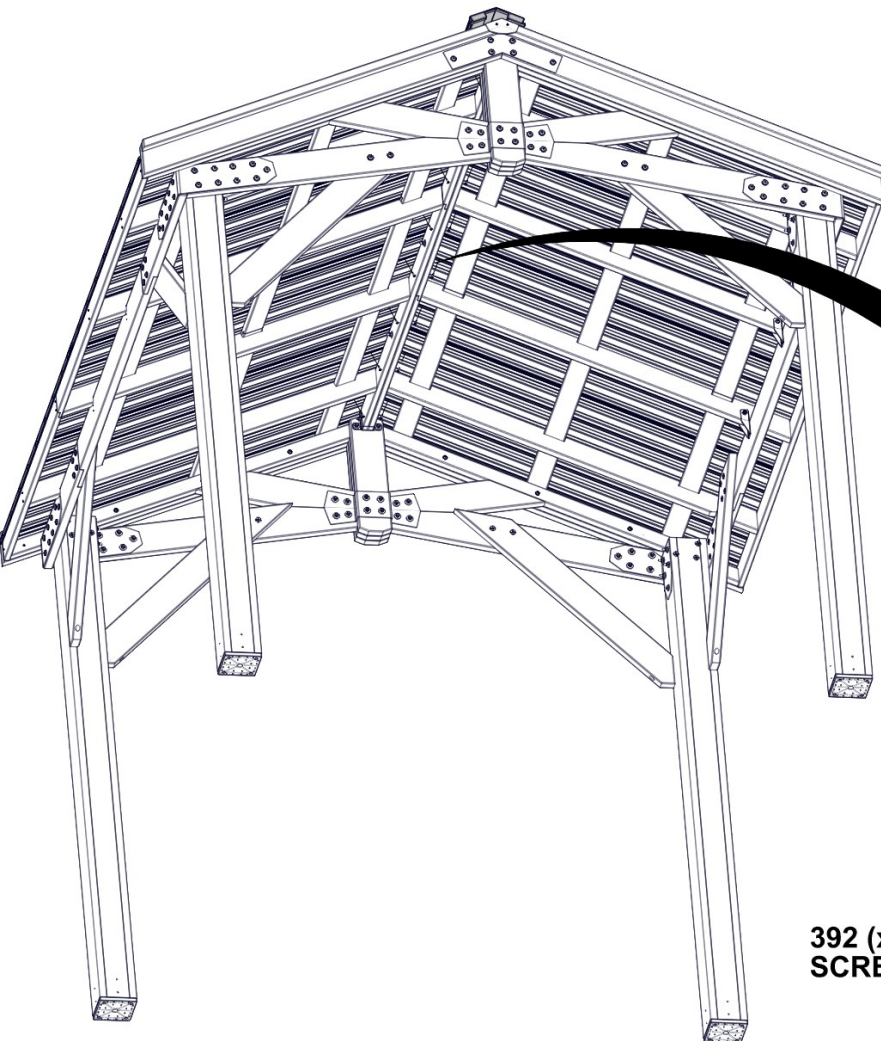
QTY	PART NUMBER	DESCRIPTION
16	H100392	SCREW PWH 8x3/4 BLK

**DO NOT CLIMB ON ROOF TO INSTALL:  
RIDGE CAP HAS BEEN DESIGNED TO  
INSTALL WITH THE USE OF A LADDER.**



**USING AN ADULT HELPER, SLIDE RIDGE CAP ASSEMBLY ACROSS THE ROOF RIDGE UNTIL BOTH ENDS SIT INSIDE RAFTERS AS SHOWN.**

FOR PROPER INSTALLATION, USE AN ADULT HELPER TO KEEP DOWNWARD PRESSURE ON THE RIDGE CAP WHILE SCREWING IN SCREWS.

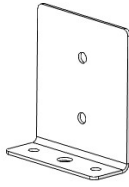


**392 (x16)  
SCREW - 3/4"**

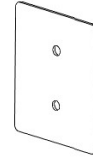
**INSTALL SCREWS THROUGH PILOT HOLES IN ROOF PANELS INTO RIDGE CAP STIFFENER BOARDS.**

# STEP 27 - GAZEBO ASSEMBLY

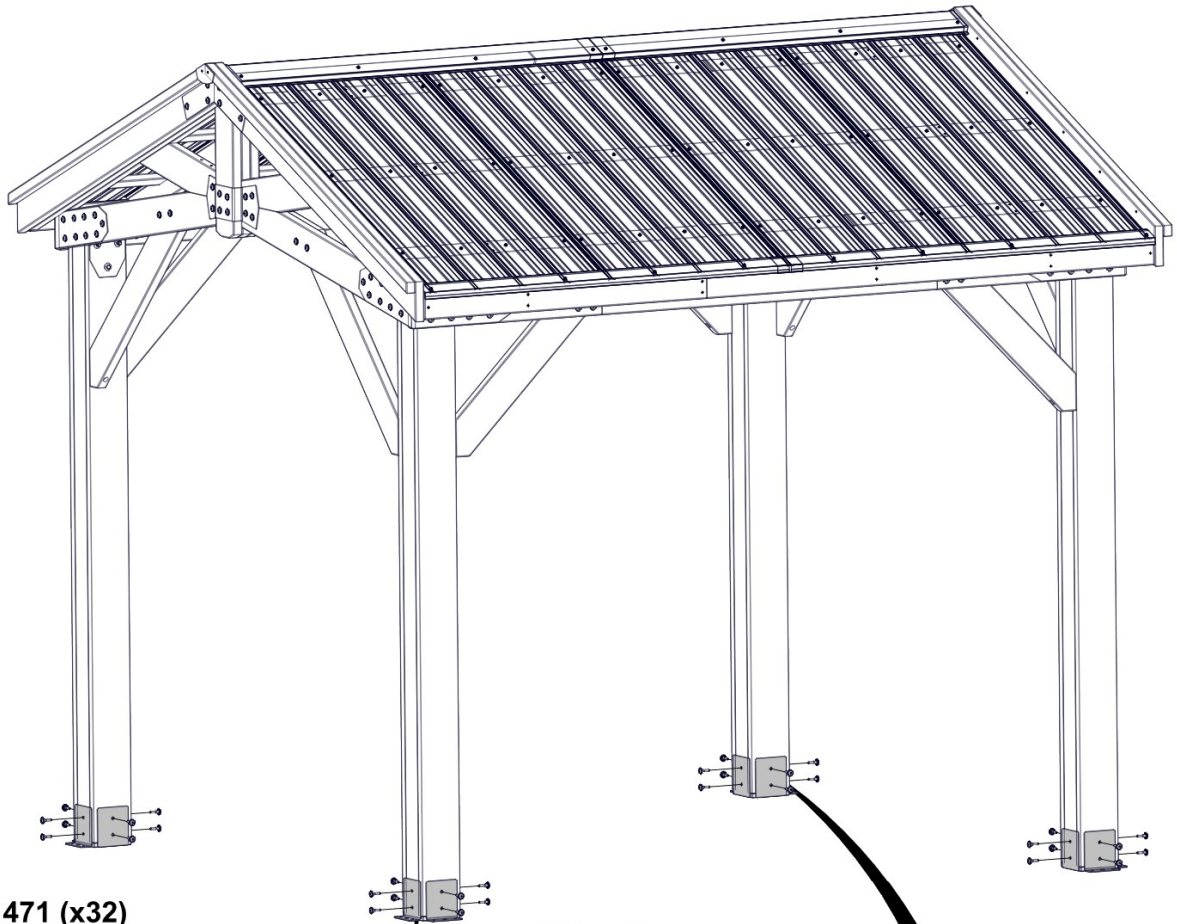
QTY	PART NUMBER	DESCRIPTION
32	H100471	LAG SCREW WH 5/16x1 1/2 BLK



A4M00977 POST ANCHORING  
PLATE WITH FLANGE  
(x8)



A4M00978 POST PLATE  
(x8)



471 (x32)  
LAG SCREW - 1 1/2"

978 (x8)  
POST PLATE

977 (x8)  
POST ANCHORING  
PLATE WITH FLANGE

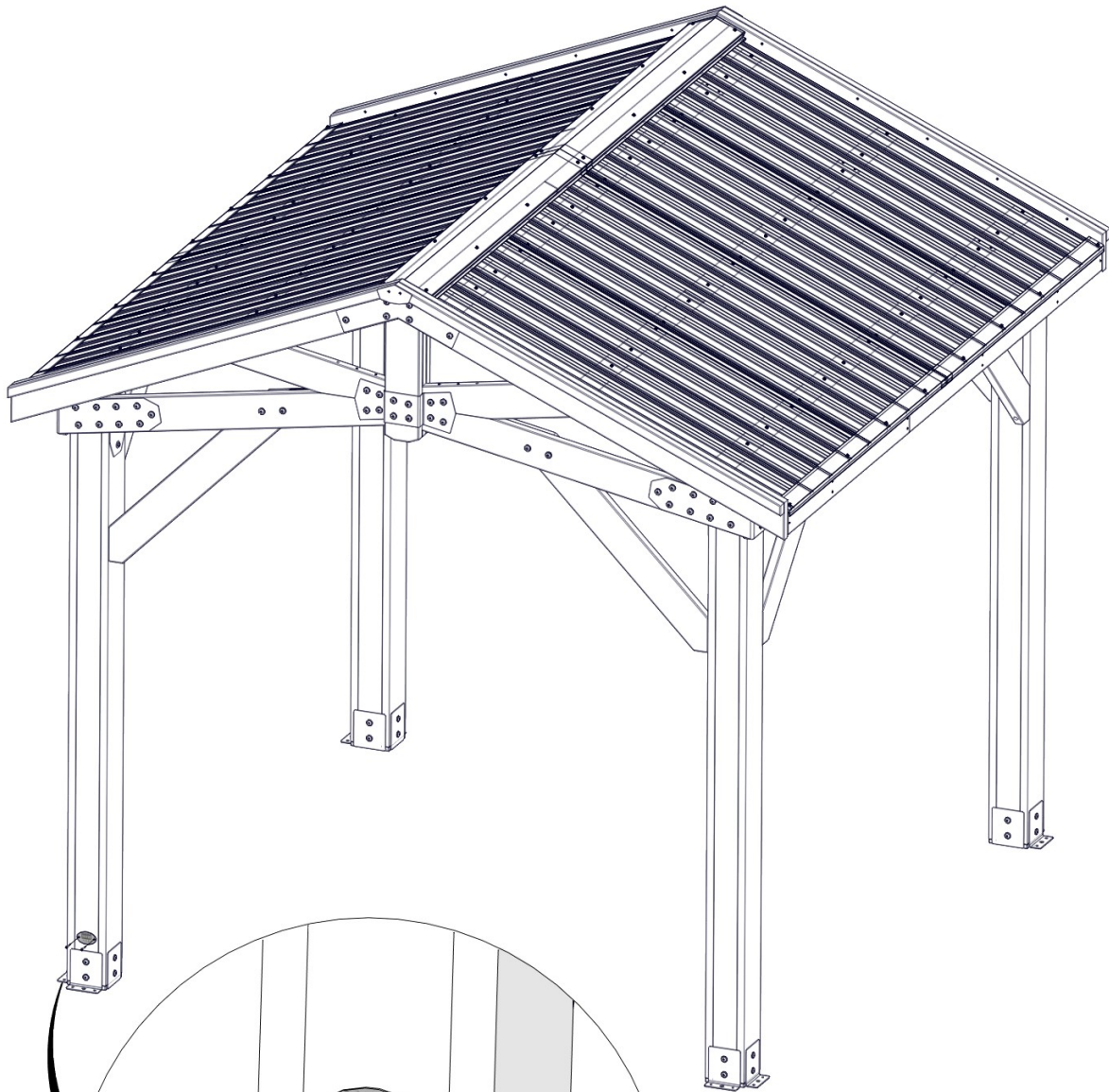


# STEP 28 - GAZEBO ASSEMBLY



QTY	PART NUMBER	DESCRIPTION
2	H100200	SCREW PFH 8x1 1/2 BLK

A100241 BYD ID TAG  
(x1)



241 (x1)  
BYD ID TAG

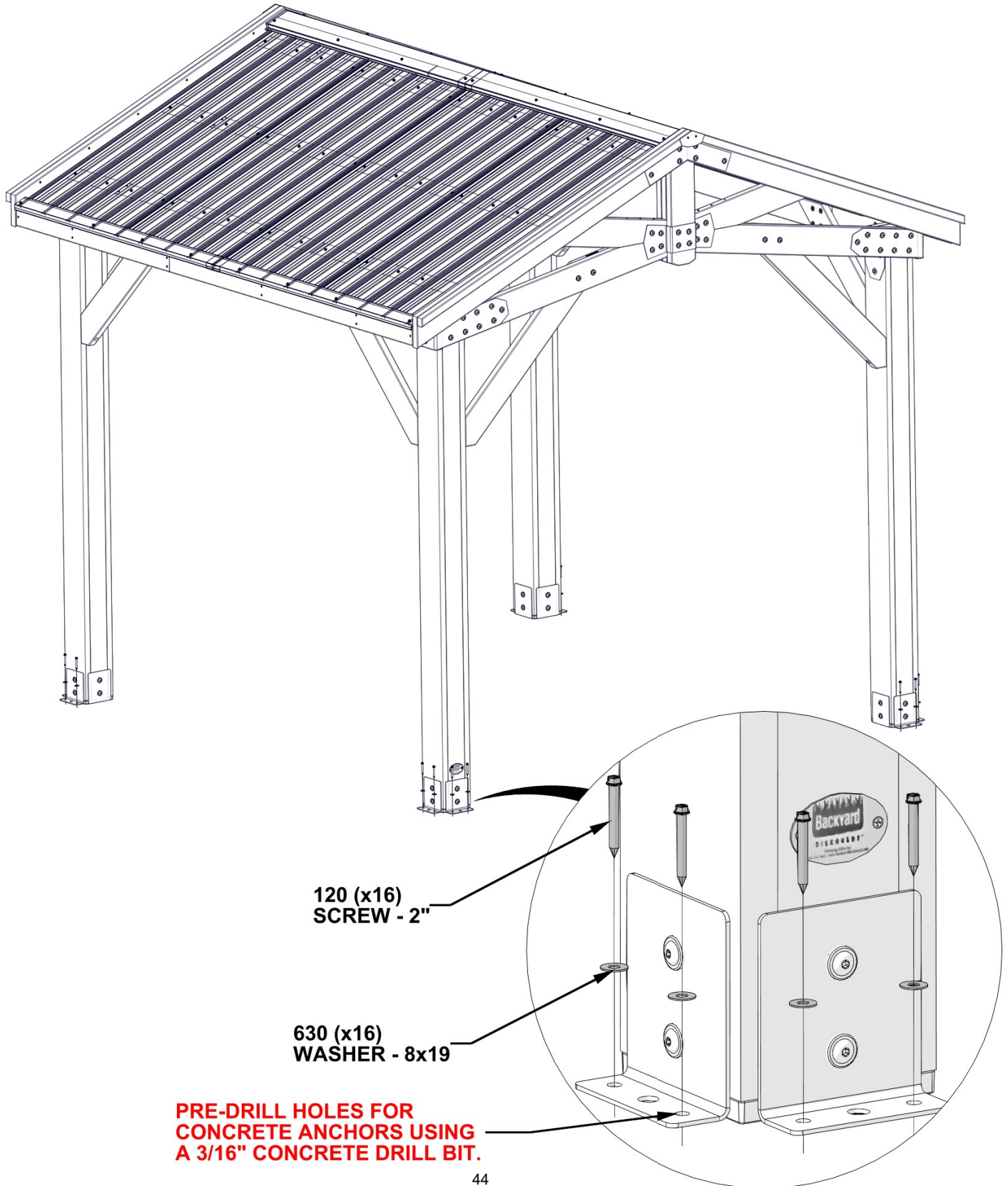
200 (x2)  
SCREW - 1 1/2"

# STEP 29 - GAZEBO ASSEMBLY

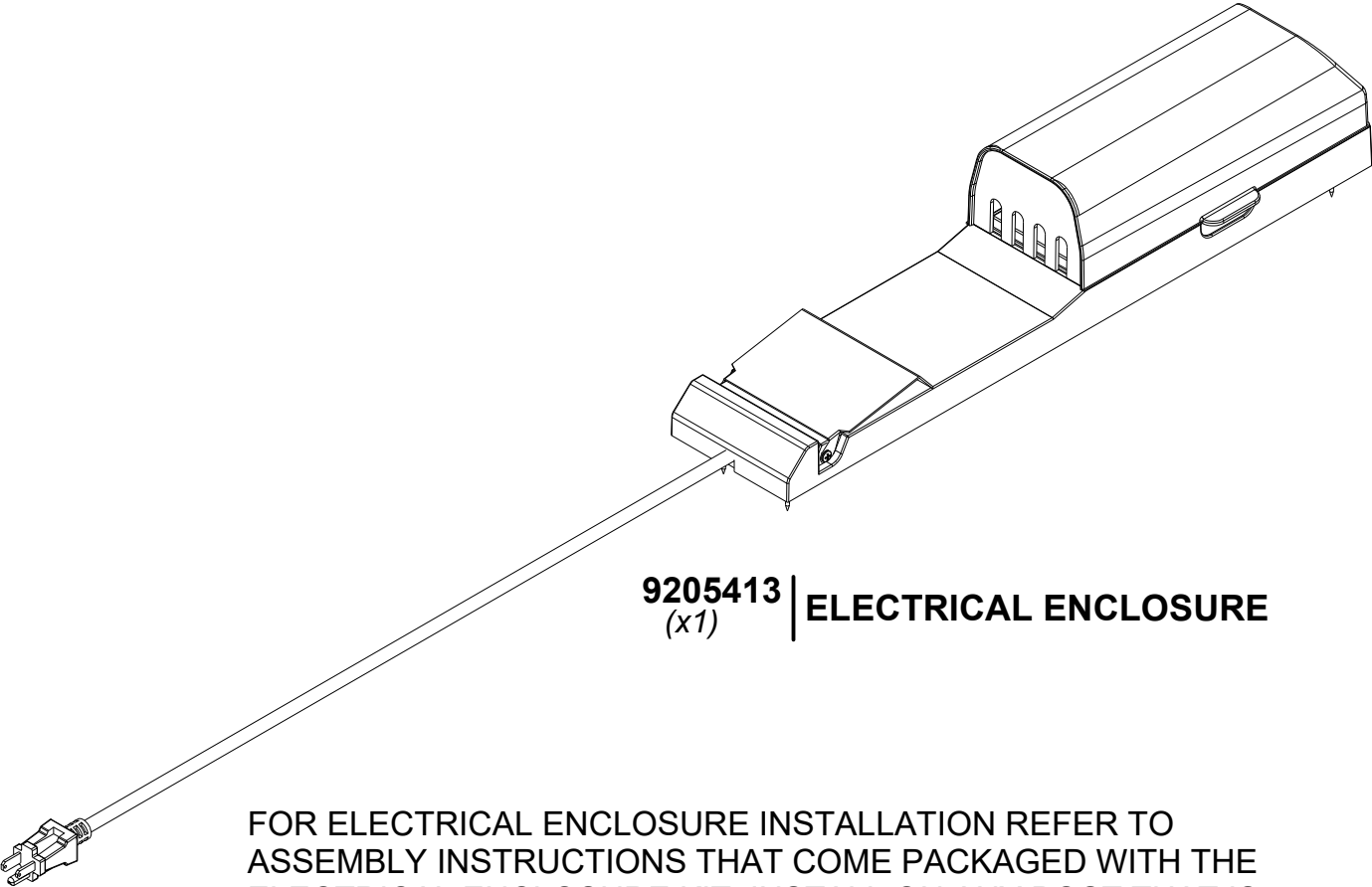
QTY	PART NUMBER	DESCRIPTION
16	H100630	WASHER FLAT 8x19 BLK
16	H100120	CONCRETE ANCHOR 1/4x2"

**MANUFACTURER RECOMMENDS INSTALLATION ON CONCRETE SURFACE OR CONCRETE POST PAD AS SHOWN BELOW.**

**FOR INSTALLATION ON WOOD DECK, YOU MUST ENSURE THERE IS AMPLE STRUCTURAL SUPPORT UNDER THE DECK. HARDWARE NOT INCLUDED FOR DECK ATTACHMENT.**



# ELECTRICAL ENCLOSURE



**9205413** | **ELECTRICAL ENCLOSURE**  
(x1)

FOR ELECTRICAL ENCLOSURE INSTALLATION REFER TO ASSEMBLY INSTRUCTIONS THAT COME PACKAGED WITH THE ELECTRICAL ENCLOSURE KIT. INSTALL ON ANY POST THAT IS DESIRED. FOLLOW DIRECTIONS FOR PROPER INSTALLATION.