



Manufactured by:
Backyard Discovery
3305 Airport Drive, Pittsburg, KS 66762
800-856-4445

Basepoint Business Centre: Rivermead Drive, Westlea, Swindon SN5 7EX Phone: 0800-118-2476
J.P. Coenstraat 7, The Bridge, The Hague, 2595 WP, Netherlands Phone: 08005678990

12x10 ARLINGTON GAZEBO

MODEL # : 2206106



Please visit www.backyarddiscovery.com
For the most up to date assembly manual, to register your product, or to order
replacement parts *Para obtener instrucciones en español, visite*
www.backyarddiscovery.com



EASY STEP-BY-STEP
3D INTERACTIVE INSTRUCTIONS
DOWNLOAD THE FREE APP



INSTALLATION
SERVICES
AVAILABLE!
See inside for details

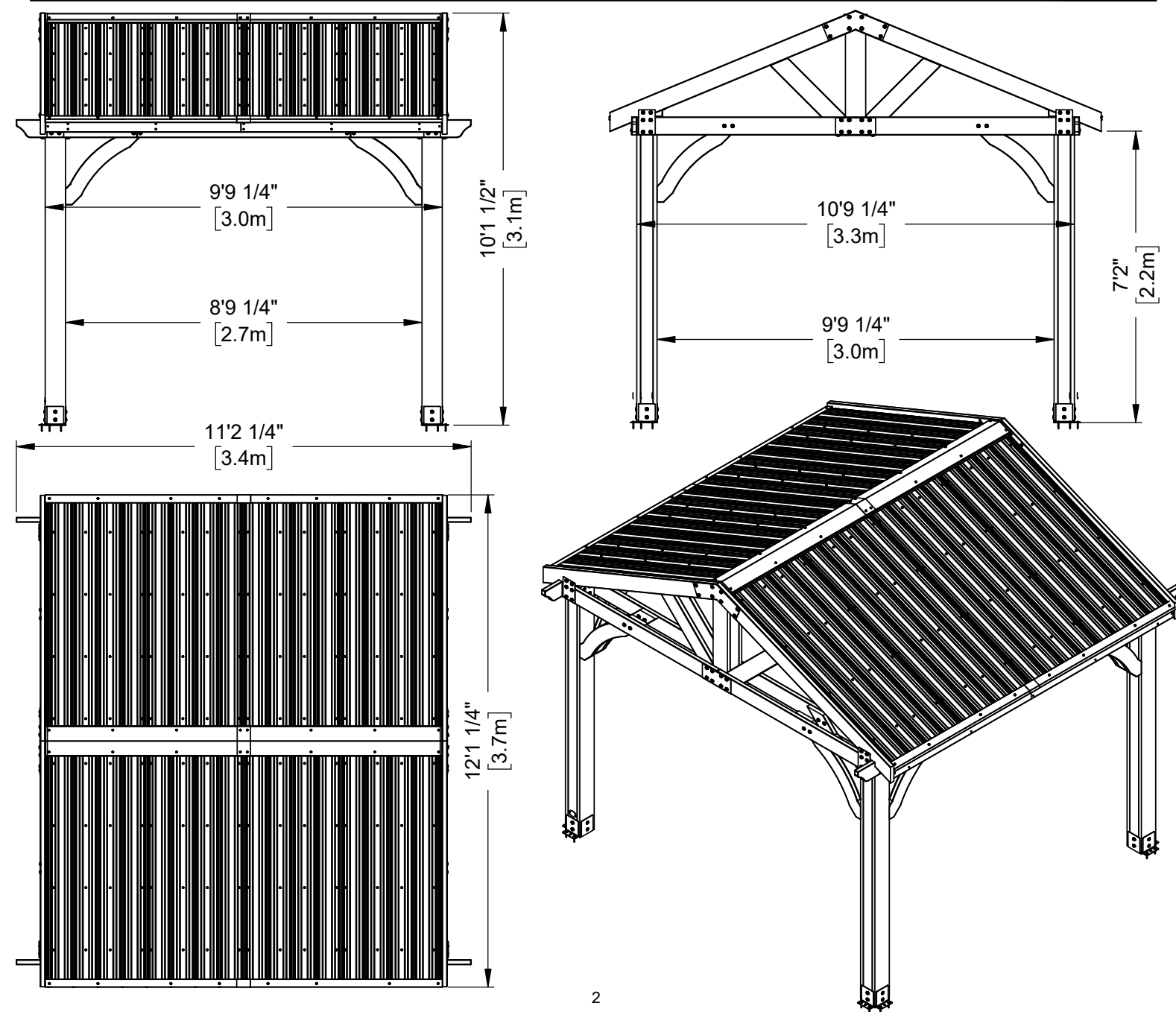
OWNER'S MANUAL - BASIC SETUP DIMENSIONS & ASSEMBLY NOTES

It is critically important that you start with square and level footings, concrete pad or deck to attach your structure

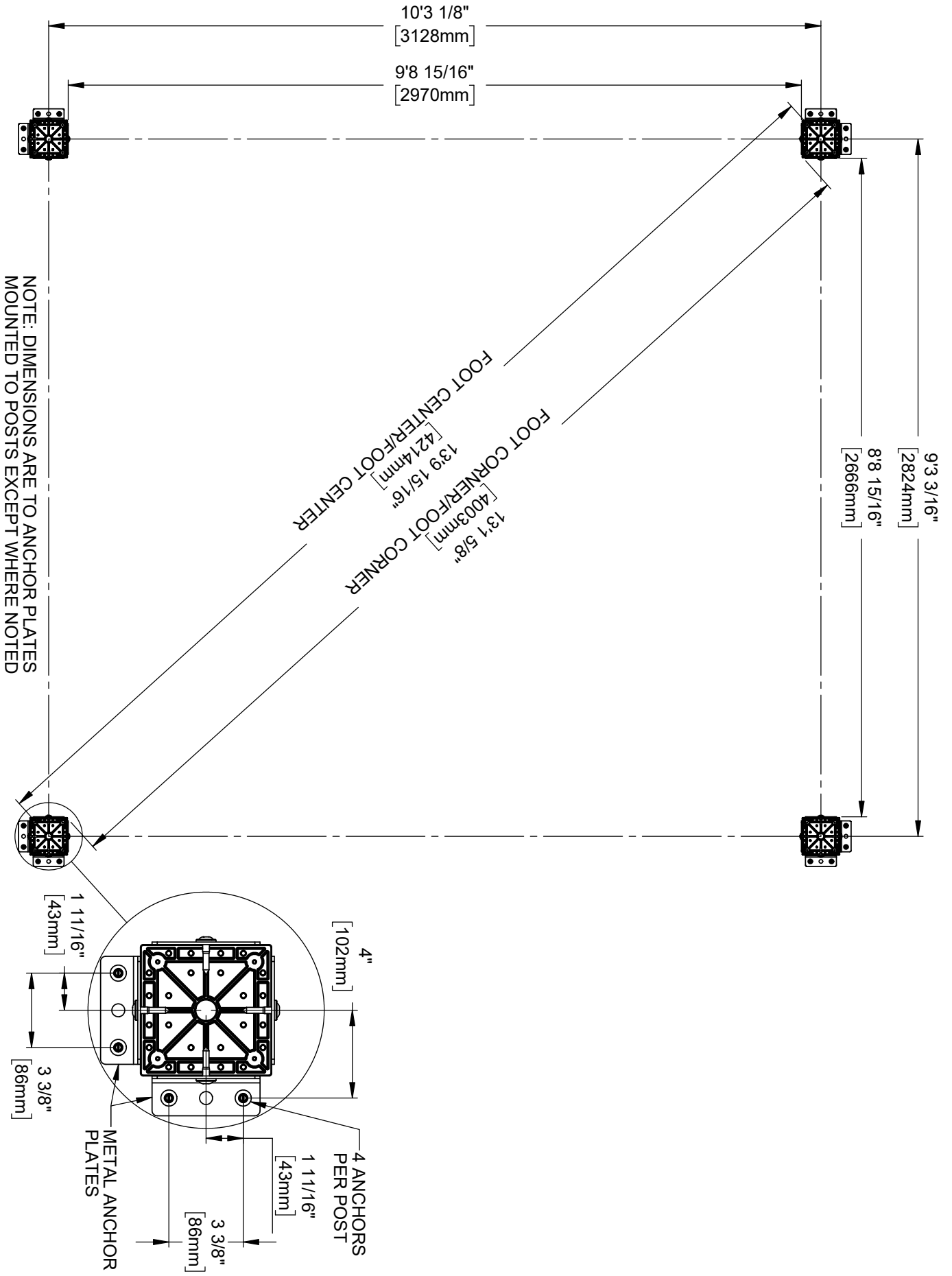
- Pay close attention to the items needed for each step. Make sure you are using the correct hardware for each step. Using incorrect hardware may result in improper assembly
- Remember to double check for underground utilities and overhead electrical lines

Post mounts are provided with your structure which allows you to permanently install your structure to a pre-existing or new wood or concrete surface. See Anchor Instructions for further details and recommendations.

- The hardware to attach the post mounts to the structure is included.
- The hardware to mount the structure permanently to a concrete surface is included.
- The hardware to mount the structure permanently to a wood deck is NOT included and will need to be purchased separately. You must ensure there is ample structural support under the deck before permanently attaching.



OWNER'S MANUAL - ANCHORING LAYOUT



OWNER'S MANUAL - PARTS IDENTIFICATION

Wood Components (Not to Scale)



D1 | BEAM - W4L13600
(x2) | 1 3/8"x5 1/4"x63" (36x134x1600)



D2 | BEAM - W4L13606
(x8) | 1 3/8"x5 1/4"x64 5/8" (36x134x1640)



D3 | BEAM - W4L13596
(x4) | 1 3/8"x5 1/4"x35 5/8" (36x134x904)



D4 | BEAM - W4L13598
(x4) | 1 3/8"x5 1/4"x53 7/8" (36x134x1370)



D5 | ANGLE BRACE - W4L16839
(x4) | 1 3/8"x5 1/4"x30 1/4" (36x134x769)



D6 | ANGLE BRACE - W4L13607
(x4) | 1 3/8"x5 1/4"x32 3/8" (36x134x823)



D7 | ANGLE BRACE - W4L16840
(x8) | 1 3/8"x6 3/8"x36 7/8" (34x163x938)



D8 | ANGLE BRACE - W4L16841
(x7) | 1 3/8"x6 3/8"x36 7/8" (34x163x938)



CA01 | CORBEL WITH TAG - W2A03480
(x1) | 1 3/8"x6 3/8"x36 7/8" (34x163x938)



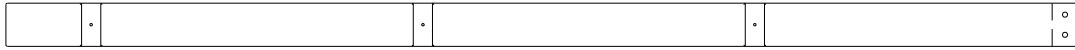
E1 | OUTSIDE RAFTER - W4L13604
(x4) | 1 3/8"x3 3/8"x77 3/8" (36x86x1965)



E2 | RAFTER - W4L13603
(x6) | 1 3/8"x3 3/8"x77 3/8" (36x86x1965)

OWNER'S MANUAL - PARTS IDENTIFICATION

Wood Components (Not to Scale)



E3 | SHEATHING BOARD - W4L13597
(x8) | 1 3/8"x3 3/8"x83 3/4" (36x86x2126)



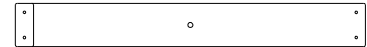
E4 | SHEATHING BOARD - W4L13601
(x8) | 1 3/8"x3 3/8"x35 1/4" (36x86x896)



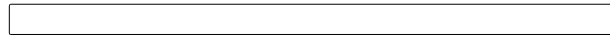
H1 | RAFTER - W4L13612
(x2) | 1"x3 3/8"x79 3/16" (24x86x2012)



H2 | FASCIA - W4L13605
(x4) | 1"x3 3/8"x59 3/8" (24x86x1507)



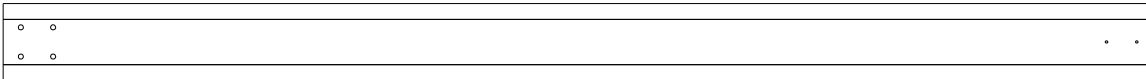
H3 | RAFTER - W4L13613
(x2) | 1"x3 3/8"x27 5/16" (24x86x695)



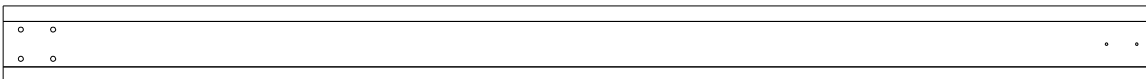
J9 | RIDGE CAP STIFFENER - W4L17390
(x2) | 1"x2 3/8"x47 5/8" (24x60x1210)



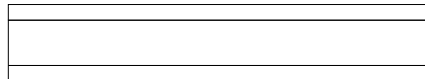
J10 | RIDGE CAP STIFFENER - W4L17391
(x2) | 1"x2 3/8"x69 1/4" (24x60x1760)



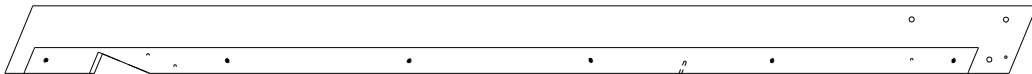
P1 | POST - W2A03484
(x2) | 6"x6"x89 1/2" (152x152x2274)



P2 | POST - W2A03485
(x2) | 6"x6"x89 1/2" (152x152x2274)



P3 | POST - W2A03021
(x2) | 6"x6"x33 1/4" (152x152x845)



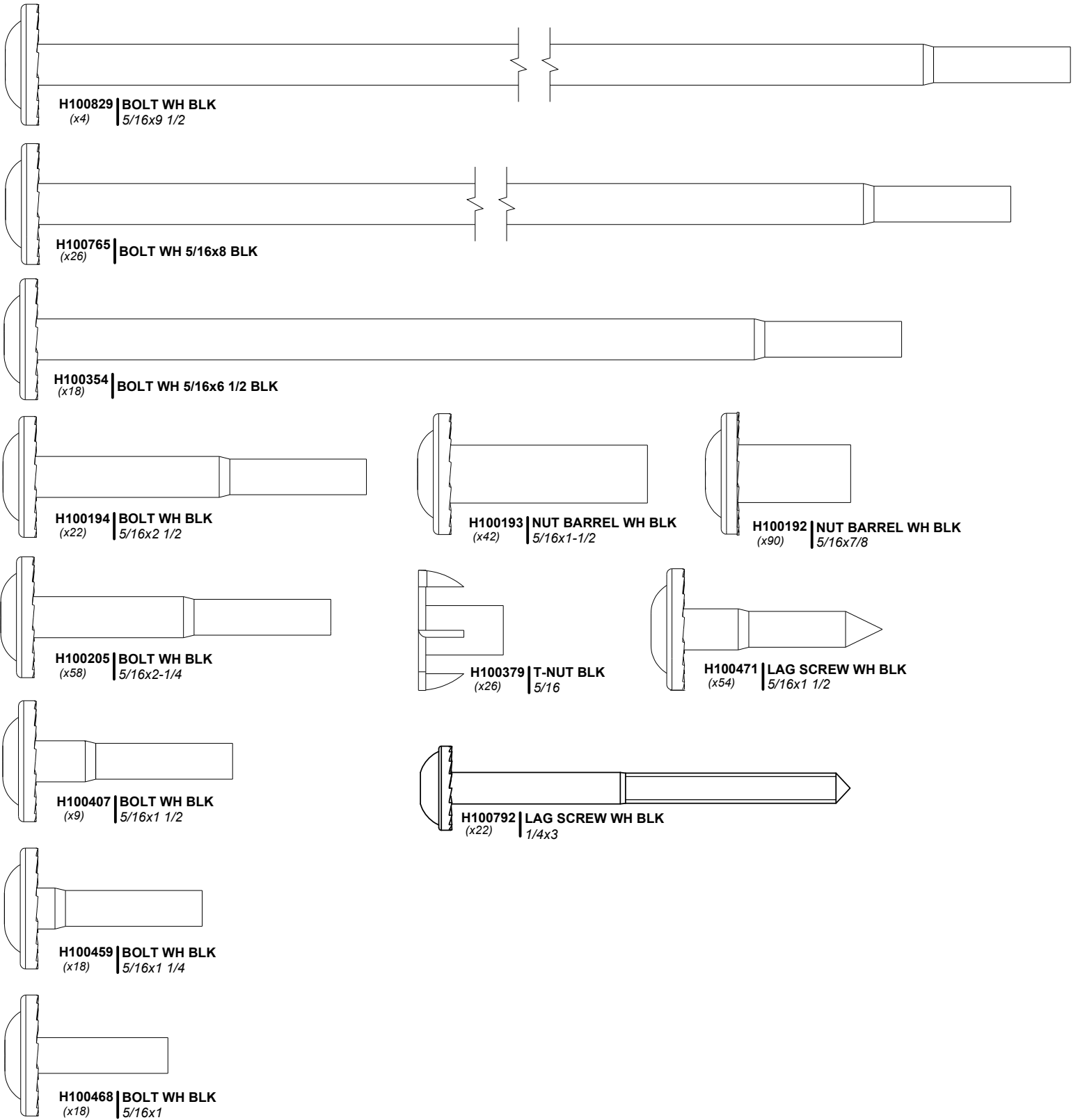
RP1 | END RAFTER - W2A03020
(x2) | 2 13/16"x5 1/4"x80 5/8" (72x134x2048)



RP2 | END RAFTER - W2A03022
(x2) | 2 13/16"x5"x80 5/8" (72x134x2048)

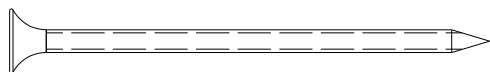
OWNER'S MANUAL - PARTS IDENTIFICATION

Hardware Components

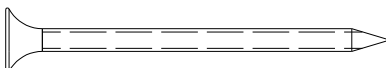


OWNER'S MANUAL - PARTS IDENTIFICATION

Hardware Components



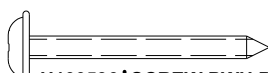
H100201 | SCREW PFH BLK
(x4) | 8x2-1/2



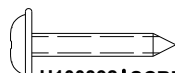
H100391 | SCREW PFH BLK
(x78) | 8x2



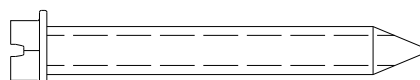
H100200 | SCREW PFH BLK
(x30) | 8x1 1/2



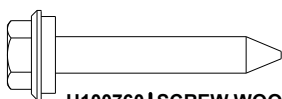
H100536 | SCREW PWH BLK
(x33) | 8x1 1/4



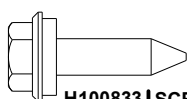
H100392 | SCREW PWH BLK
(x17) | 8x3/4



H100120 | CONCRETE ANCHOR 1/4"x2"
(x18)



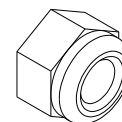
H100760 | SCREW WOODGRIP
(x132) | 10x1 1/4



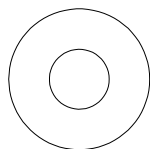
H100833 | SCREW WOODGRIP
(x17) | 10x3/4



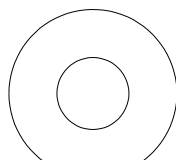
H100759 | SCREW TAPPING
(x17) | 1/4x3/4



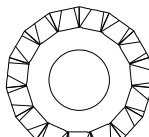
H100479 | NUT LOCK BLK
(x9) | 5/16



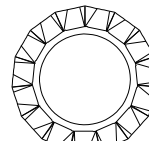
H100630 | WASHER FLAT BLK
(x17) | 8x19



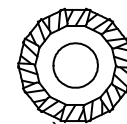
H100770 | WASHER FLAT
(x9) | 5/16 BLK



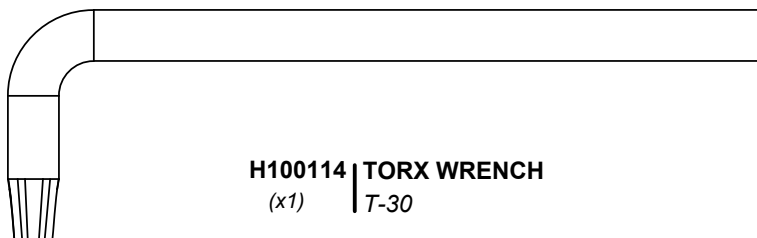
H100198 | WASHER LOCK EXT BLK
(x96) | 8x19



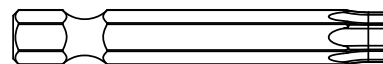
H100199 | WASHER LOCK EXT BLK
(x108) | 12x19



**H100405 | WASHER LOCK
EXT BLK**
(x22) | 6x15



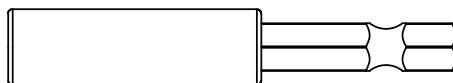
H100114 | TORX WRENCH
(x1) | T-30



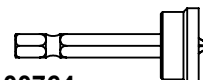
H100147 | TORX BIT
(x1) | T-30



H101106 | HEX DRIVER
(x1) | 5/16



H101100 | MAGNETIC DRIVER
(x1)



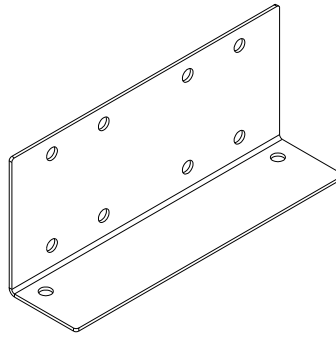
H100764 | SCREW SETTER
(x1)

OWNER'S MANUAL - PARTS IDENTIFICATION

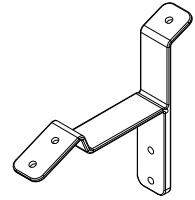
Accessory Components (Not to Scale)



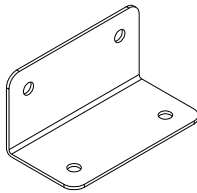
A100241 | BYD ID TAG (SMALL) WITHOUT AGES
(x1)



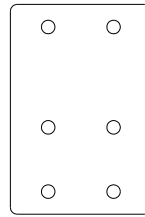
A4M00972 | BRACKET
(x4)



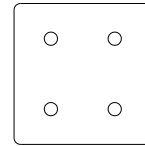
A4M00961 | ROOF BRACKET
(x6)



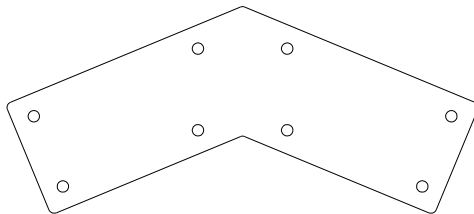
A4M00619 | L BRACKET 66x66x127 - BLK
(x4)



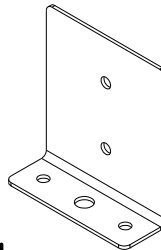
A4M00974 | BRACKET
(x4)



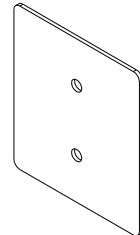
A4M00979 | BRACKET
(x4)



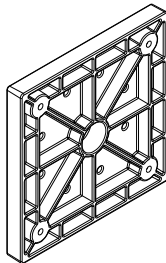
A4M00973 | BRACKET
(x2)



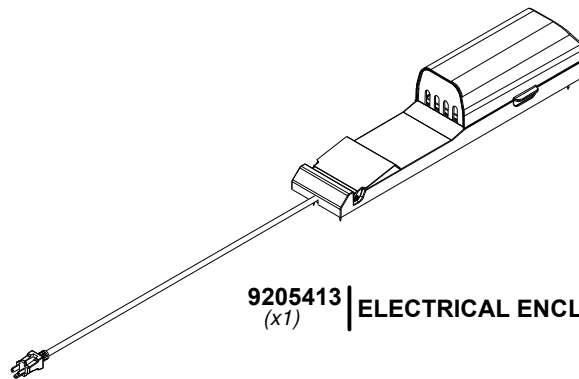
A4M00977 | POST ANCHORING PLATE
(x8)



A4M00978 | POST PLATE
(x8)



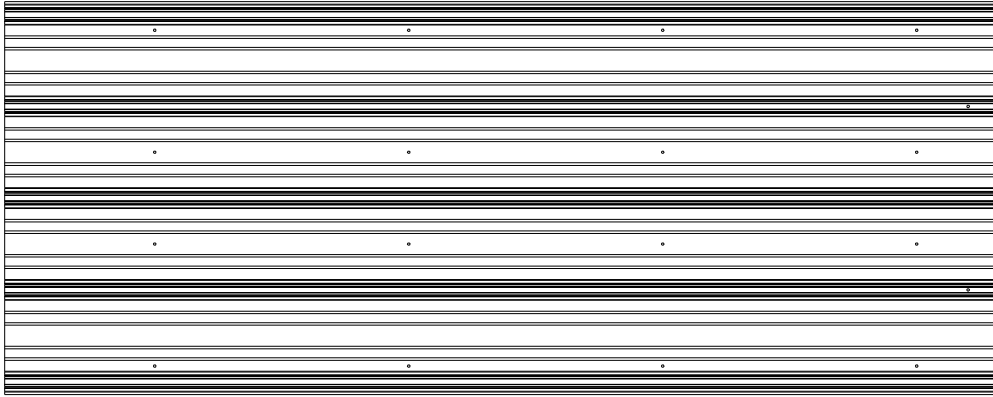
A6P00308 | 6x6 POST FOOT
(x4)



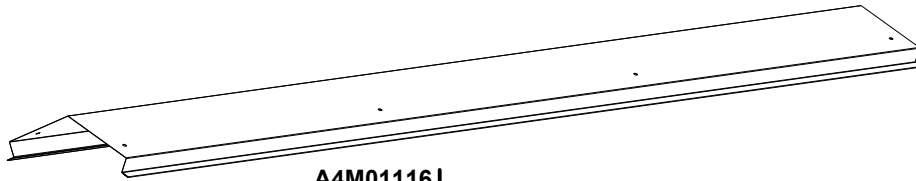
9205413 | ELECTRICAL ENCLOSURE
(x1)

OWNER'S MANUAL - PARTS IDENTIFICATION

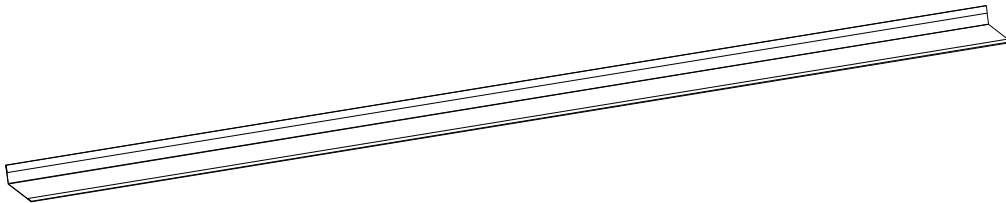
Accessory Components (Not to Scale)



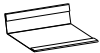
A4M01124 | 29 GA STEEL SHEETING
(x8)



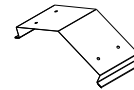
A4M01116 | RIDGE CAP 29 GA
(x2)



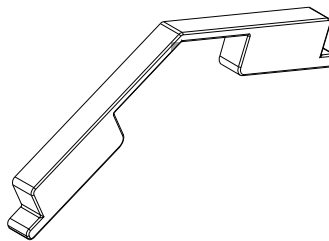
A4M00982 | ROOF EDGE TRIM
(x4)



A4M00983 | ROOF EDGE TRIM SPLICE
(x2)



A4M01127 | RIDGE CAP SPLICE
(x1)



A6P00398 | RIDGE CAP PROTECTOR
(x2)

PRE-ASSEMBLY STEP 1 - SORTING PARTS

It is critical for ease of assembly that you take the time to sort and organize the wood and hardware.

WOOD PARTS:

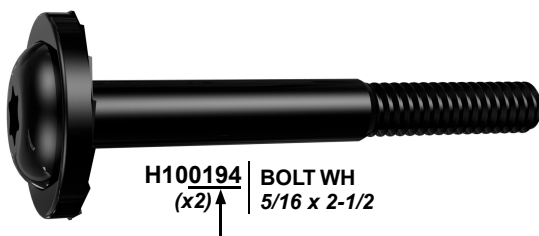
- Organize wood parts by the three-digit, alpha-numeric number stamped on each board (ex. P01).
- If there are multiple boards with the same stamped number, stack those pieces together.
- Stamps can be found on the flat surface of the boards or on the end of the boards.
- Allow yourself plenty of room - the wood pieces can take up a significant amount of space.

NOTE: CARTONS ARE NOT ORGANIZED BY BOARD NUMBER.



HARDWARE PARTS:

- We recommend that you have a separate table to organize the hardware.
- Hardware bags are printed with a seven-digit, alpha-numeric part number.
- You can organize your hardware by part number or group by hardware type (i.e. bolts, nuts, etc.).
- During assembly you only need to reference the last four digits of the number.



PRE-ASSEMBLY STEP 2 - TOOLS REQUIRED



Cordless Drill or
Electric Drill



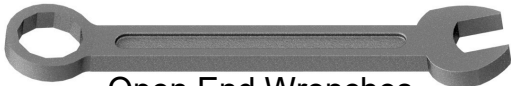
Drill Attachments:
Phillips Head



1/8", 3/16", 3/8" &
7/16" Drill Bits



Phillips Screw Driver



Open End Wrenches
1/2" & 9/16"



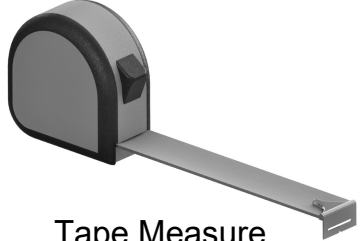
3/8" Drive Ratchet, 1/2" &
7/16" STD Sockets 1/2" & 7/16"
Deep Sockets



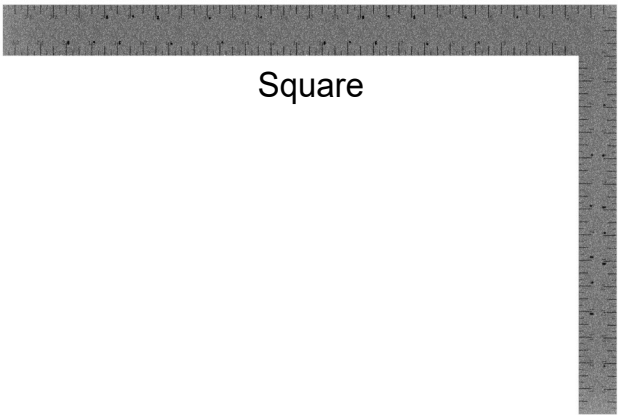
Claw Hammer



Rubber Mallet -
Optional



Tape Measure



Square




Level 24"

PRE-ASSEMBLY STEP 3 - CHOOSE YOUR ASSEMBLY METHOD

There are several types of assembly instructions available to you.

1. Printed Assembly Manual included with your set
2. BILT APP - 3D interactive instructions
3. Combination of the Printed Manual and BILT APP (Note: Step numbers can differ between the two methods)



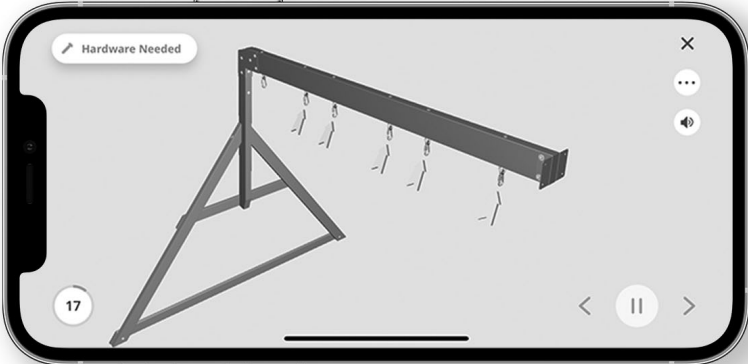
BILT[®]

Scan for easy
3D instructions

Download the BILT app
before you begin

Download on the
App Store

GET IT ON
Google Play



Hardware Needed

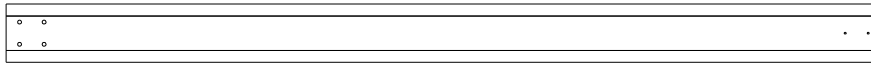
17

< || >

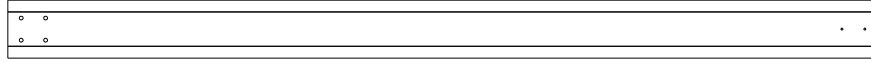
The image shows a smartphone screen displaying a 3D assembly instruction. The screen features a 3D model of a metal frame with a horizontal beam and several hanging components. A 'Hardware Needed' button is visible in the top left corner of the app interface. The number '17' is shown in a circle at the bottom left, and navigation arrows are at the bottom right.

STEP 1 - GAZEBO ASSEMBLY

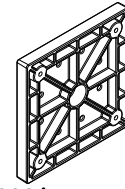
QTY	PART NUMBER	DESCRIPTION
16	H100200	SCREW PFH 8x1 1/2 BLK



P1 | POST - W2A03484
(x2) | 6"x6"x89 1/2" (152x152x2274)



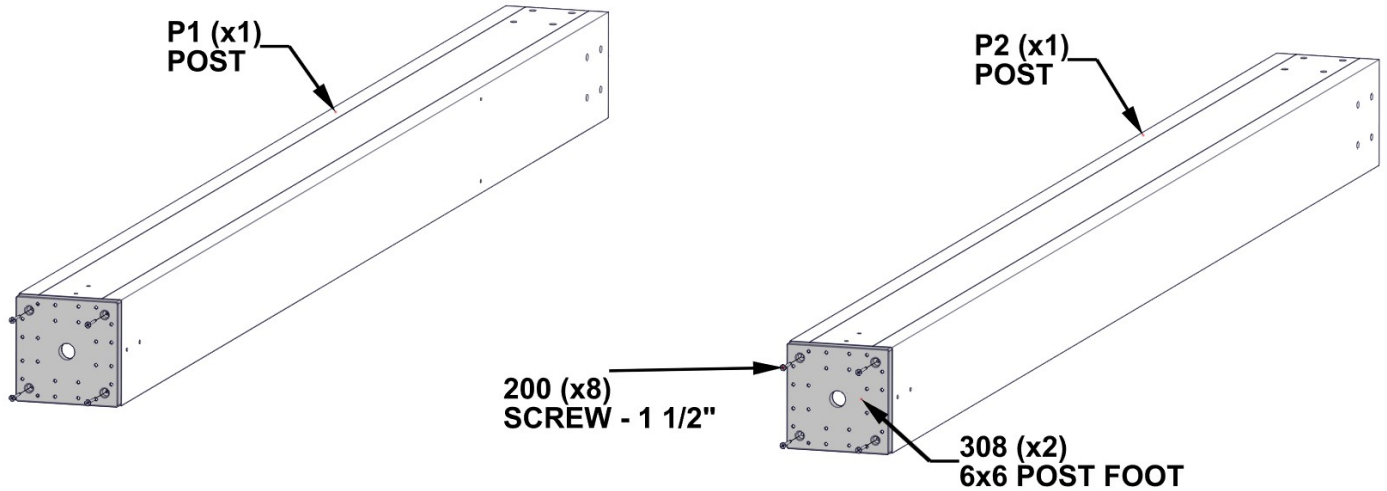
P2 | POST - W2A03485
(x2) | 6"x6"x89 1/2" (152x152x2274)



A6P00308 | 6x6 POST FOOT
(x4)

COMPLETE THIS STEP TWICE.

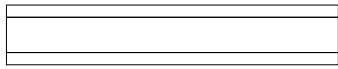
FOR EASE OF ASSEMBLY, WE RECOMMEND USING SAW HORSES FOR STEPS 1 - 4.



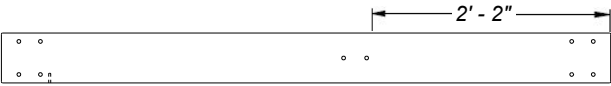
ALIGN POST FOOT AND DRILL 1/8" PILOT HOLES FOR THE ATTACHMENT OF HARDWARE.

STEP 2 - GAZEBO ASSEMBLY

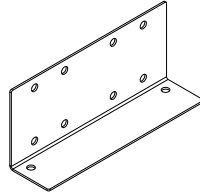
QTY	PART NUMBER	DESCRIPTION
8	H100471	LAG SCREW WH 5/16x1 1/2 BLK
8	H100198	WASHER LOCK EXT 8x19
24	H100193	NUT BARREL WH 5/16X1 1/2 BLK
24	H100765	BOLT WH 5/16x8 BLK



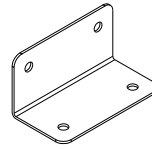
P3 | POST - W2A03021
(x2) | 6"x6"x33 1/4" (152x152x845)



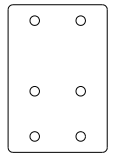
D2 | BEAM - W4L13606
(x8) | 1 3/8"x5 1/4"x64 5/8" (36x134x1640)



A4M00972 | BRACKET
(x4)



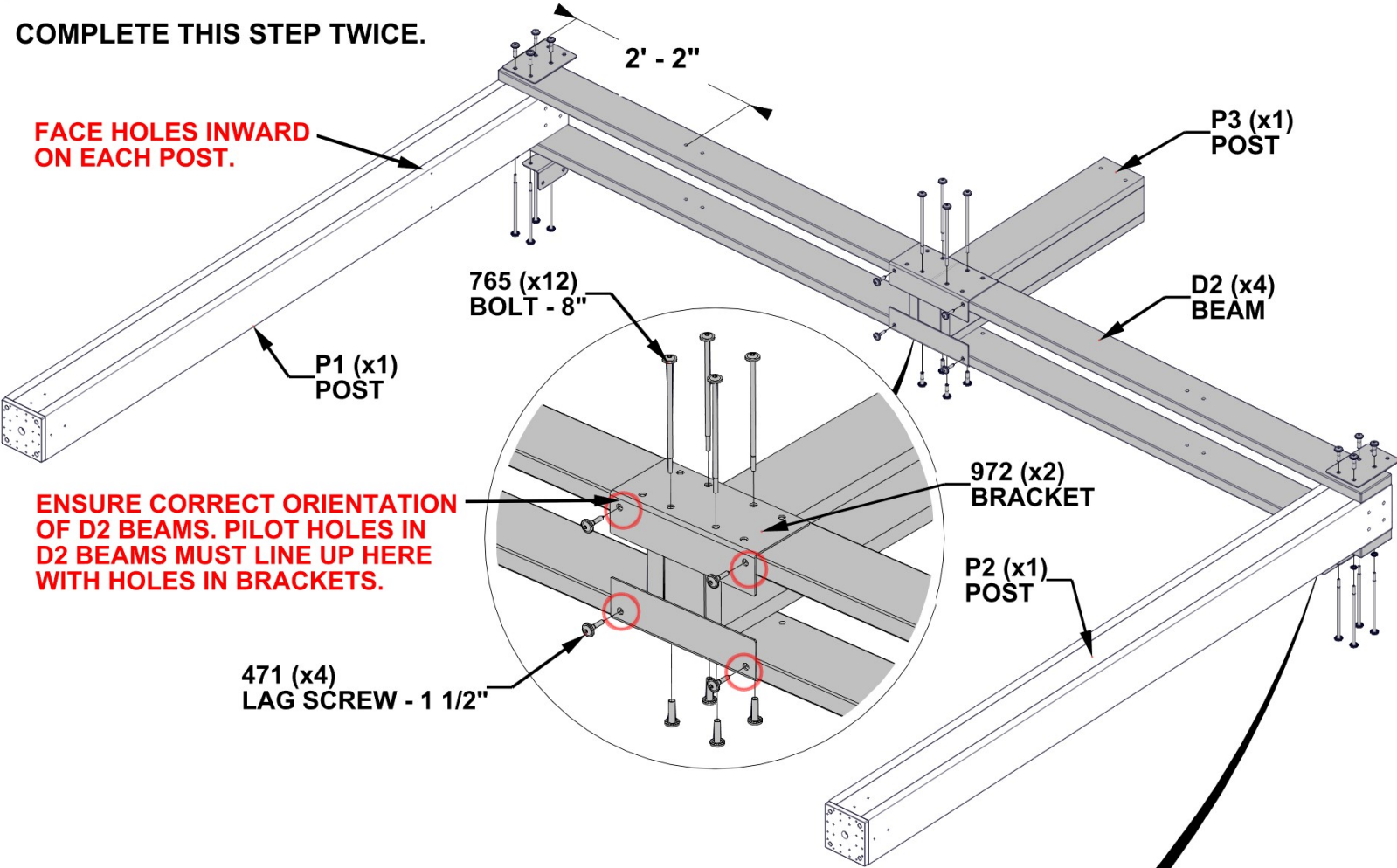
A4M00619 | L BRACKET
(x4) | 66x66x127 - BLK



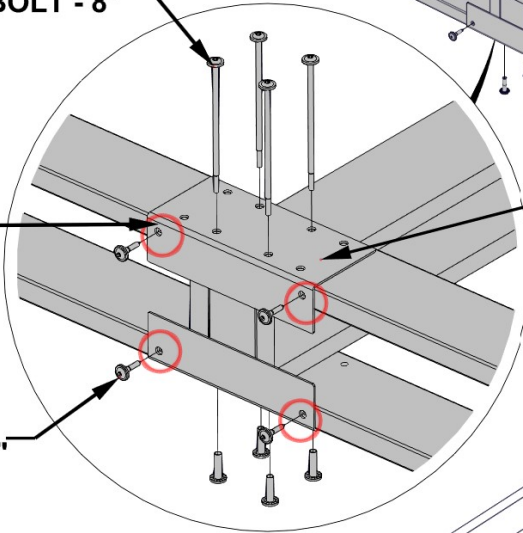
A4M00974 | BRACKET
(x4)

COMPLETE THIS STEP TWICE.

FACE HOLES INWARD
ON EACH POST.



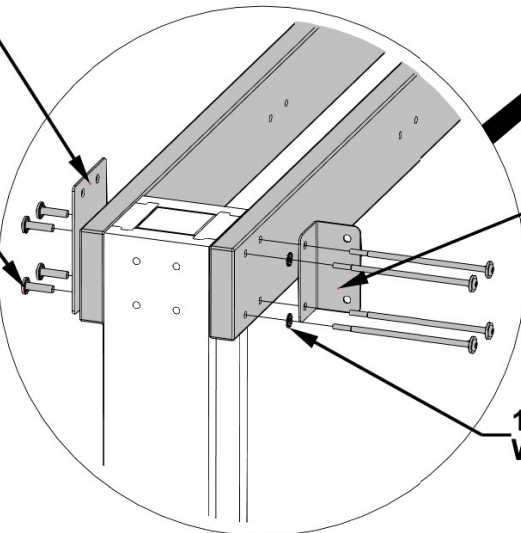
ENSURE CORRECT ORIENTATION
OF D2 BEAMS. PILOT HOLES IN
D2 BEAMS MUST LINE UP HERE
WITH HOLES IN BRACKETS.



**471 (x4)
LAG SCREW - 1 1/2"**

**974 (x2)
BRACKET**

**193 (x12)
BARREL NUT - 1 1/2"**



**619 (x2)
L BRACKET**

**198 (x4)
WASHER - 8x19**

STEP 3 - GAZEBO ASSEMBLY

QTY	PART NUMBER	DESCRIPTION
8	H100792	LAG SCREW WH 1/4x3 BLK
8	H100405	WASHER LOCK EXT 6x15
16	H100192	NUT BARREL WH 5/16X7/8 BLK
16	H100205	BOLT WH 5/16x2 1/4 BLK
16	H100198	WASHER LOCK EXT 8x19
16	H100199	WASHER LOCK EXT 12x19

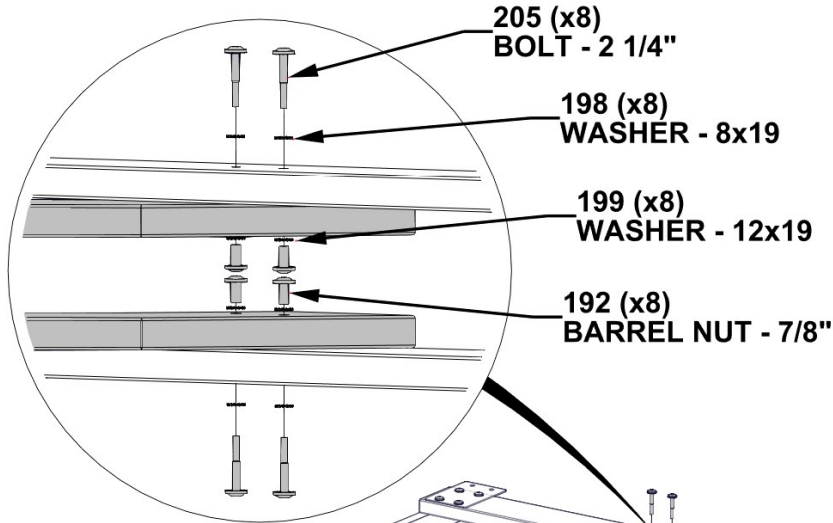


D8 | ANGLE BRACE - W4L16841
(x7) | 1 3/8"x6 3/8"x36 7/8" (34x163x938)



CA01 | CORBEL WITH TAG- W2A03480
(x1) | 1 3/8"x6 3/8"x36 7/8" (34x163x938)

COMPLETE THIS STEP TWICE.



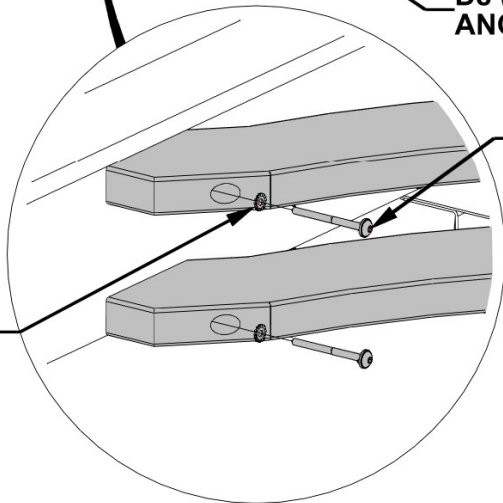
ONE 12FT END WILL USE THREE D8 ANGLE BRACES AND ONE CA01, THE OTHER 12FT END WILL USE FOUR D8 ANGLE BRACES.

**CA01 (x1)
CORBEL WITH TAG**

**D8 (x3)
ANGLE BRACE**

**792 (x4)
LAG SCREW - 3"**

**405 (x4)
WASHER - 6x15**



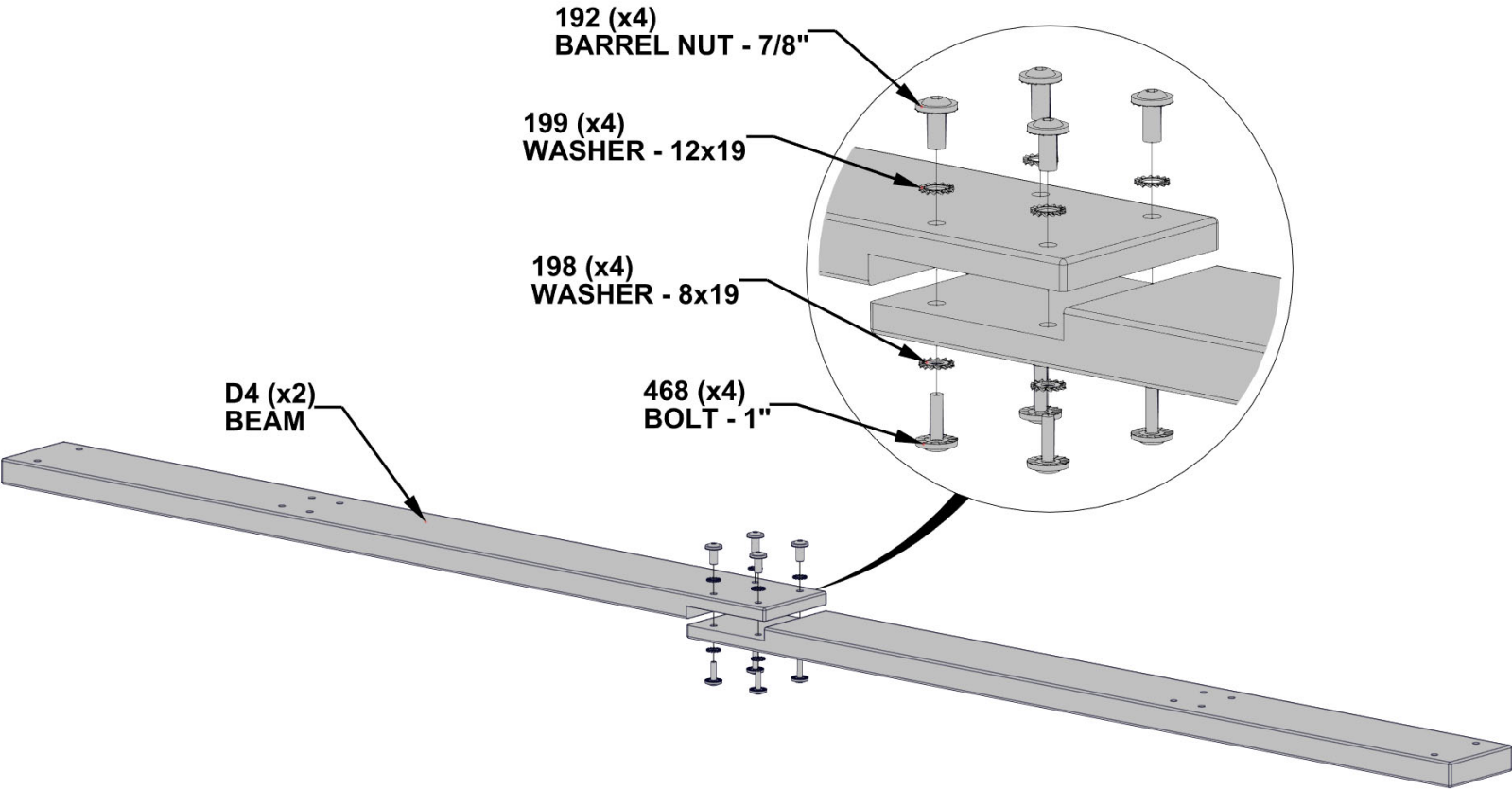
STEP 4 - GAZEBO ASSEMBLY

QTY	PART NUMBER	DESCRIPTION
8	H100192	NUT BARREL WH 5/16X7/8 BLK
8	H100198	WASHER LOCK EXT 8x19
8	H100199	WASHER LOCK EXT 12x19
8	H100468	BOLT WH 5/16x1 BLK



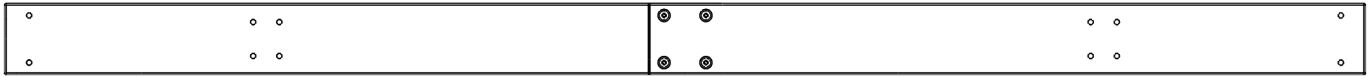
D4 | BEAM - W4L13598
 (x4) | 1 3/8"x5 1/4"x53 7/8" (36x134x1370)

COMPLETE THIS STEP TWICE.



STEP 5 - GAZEBO ASSEMBLY

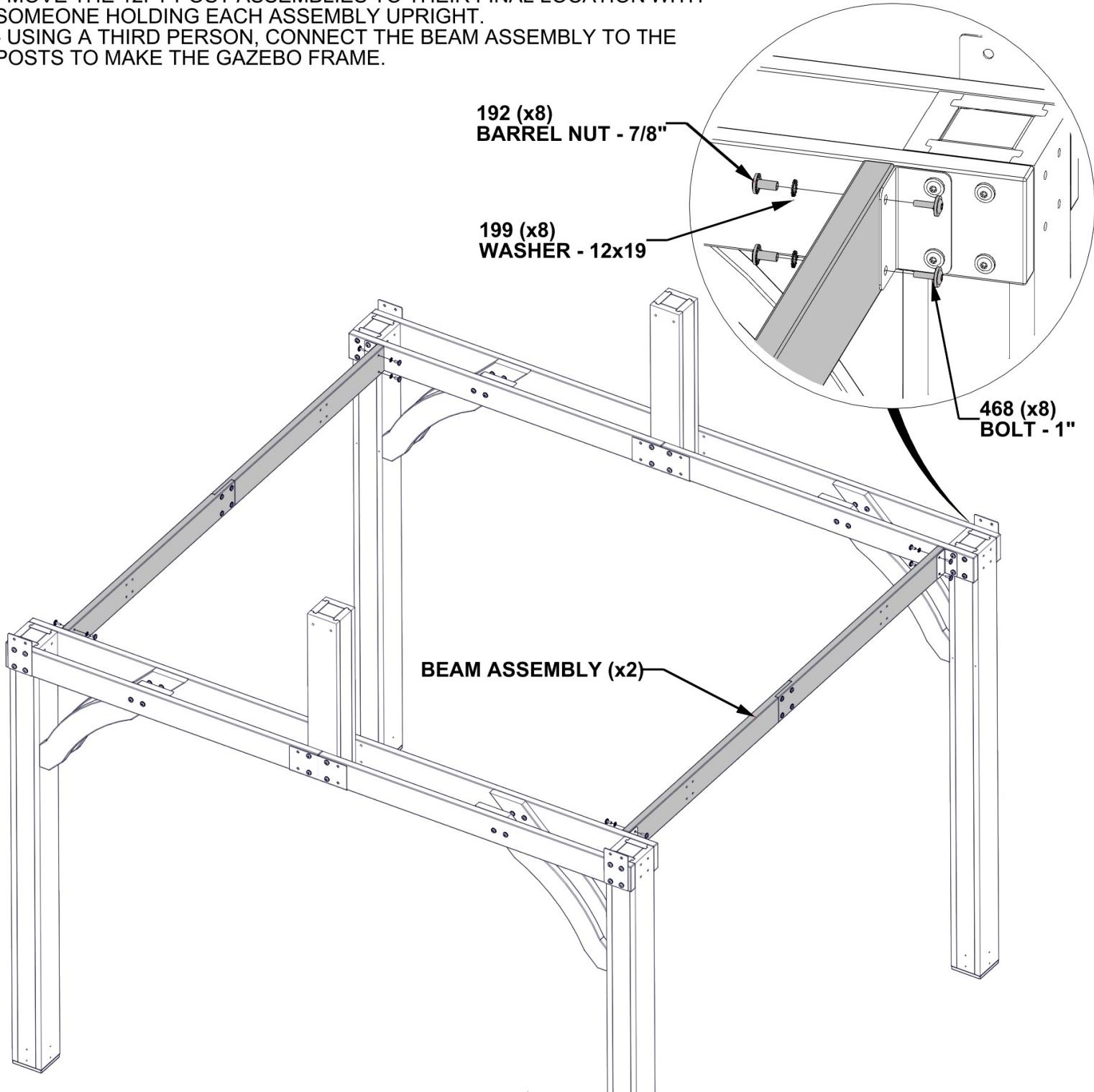
QTY	PART NUMBER	DESCRIPTION
8	H100192	NUT BARREL WH 5/16X7/8 BLK
8	H100468	BOLT WH 5/16x1 BLK
8	H100199	WASHER LOCK EXT 12x19



BEAM ASSEMBLY FROM PREVIOUS STEP

TIPS:

- THREE PEOPLE ARE HELPFUL FOR THIS STEP.
- MOVE THE 12FT POST ASSEMBLIES TO THEIR FINAL LOCATION WITH SOMEONE HOLDING EACH ASSEMBLY UPRIGHT.
- USING A THIRD PERSON, CONNECT THE BEAM ASSEMBLY TO THE POSTS TO MAKE THE GAZEBO FRAME.



STEP 6 - GAZEBO ASSEMBLY

QTY	PART NUMBER	DESCRIPTION
16	H100192	NUT BARREL WH 5/16X7/8 BLK
16	H100198	WASHER LOCK EXT 8x19
16	H100199	WASHER LOCK EXT 12x19
16	H100205	BOLT WH 5/16x2 1/4 BLK



D1 | BEAM - W4L13600
(x2) | 1 3/8"x5 1/4"x63" (36x134x1600)

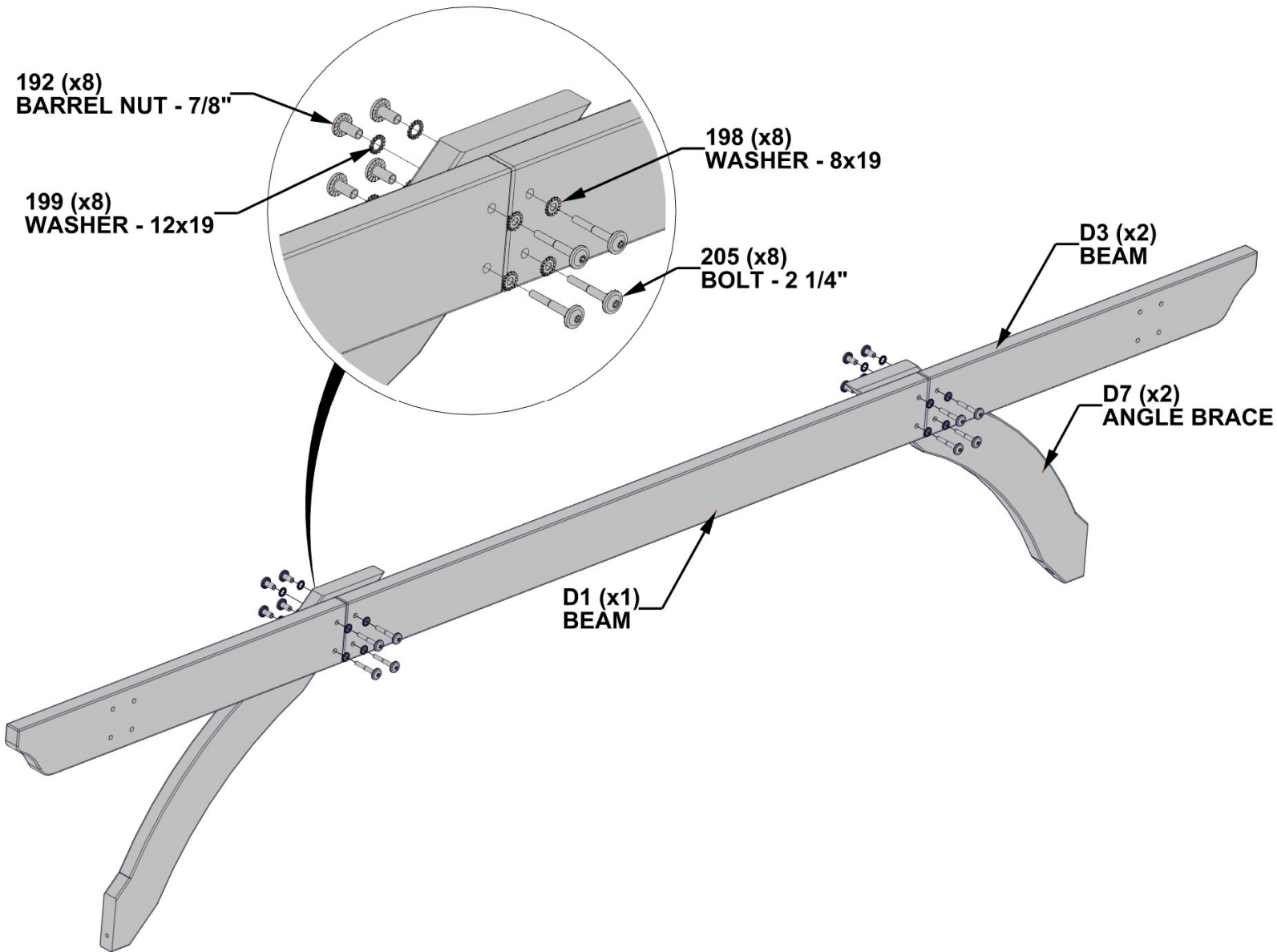


D3 | BEAM - W4L13596
(x4) | 1 3/8"x5 1/4"x35 5/8" (36x134x904)



D7 | ANGLE BRACE - W4L16840
(x4) | 1 3/8"x6 3/8"x36 7/8" (34x163x938)

COMPLETE THIS STEP TWICE.

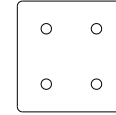


STEP 7 - GAZEBO ASSEMBLY

QTY	PART NUMBER	DESCRIPTION
16	H100193	NUT BARREL WH 5/16X1 1/2 BLK
16	H100199	WASHER LOCK EXT 12x19
16	H100354	BOLT WH 5/16x6 1/2 BLK
4	H100405	WASHER LOCK EXT 6x15
4	H100792	LAG SCREW WH 1/4x3 BLK

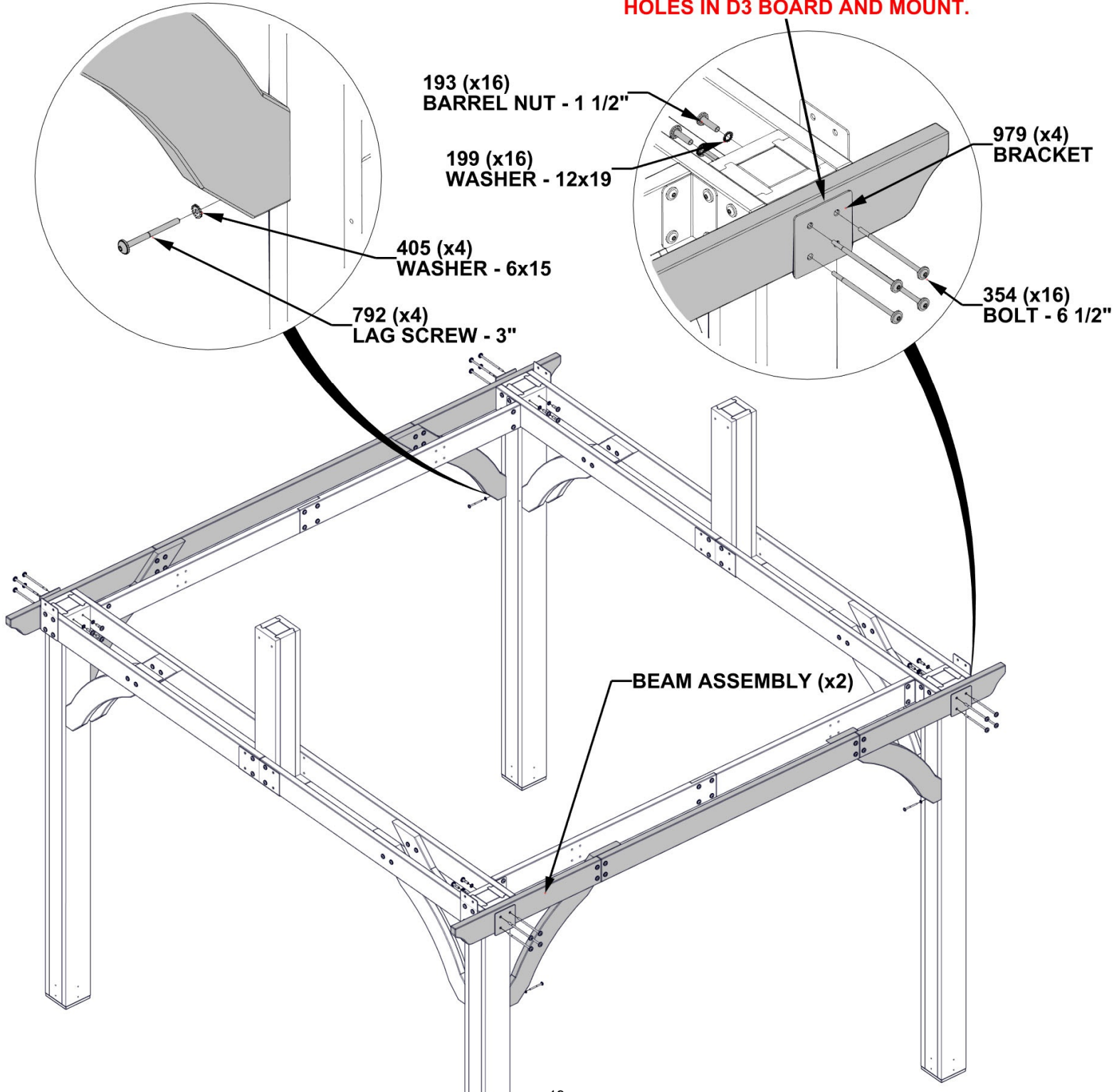


BEAM ASSEMBLY FROM PREVIOUS STEP



A4M00979
(x4) **BRACKET**

ALIGN HOLES IN PLATE WITH HOLES IN D3 BOARD AND MOUNT.

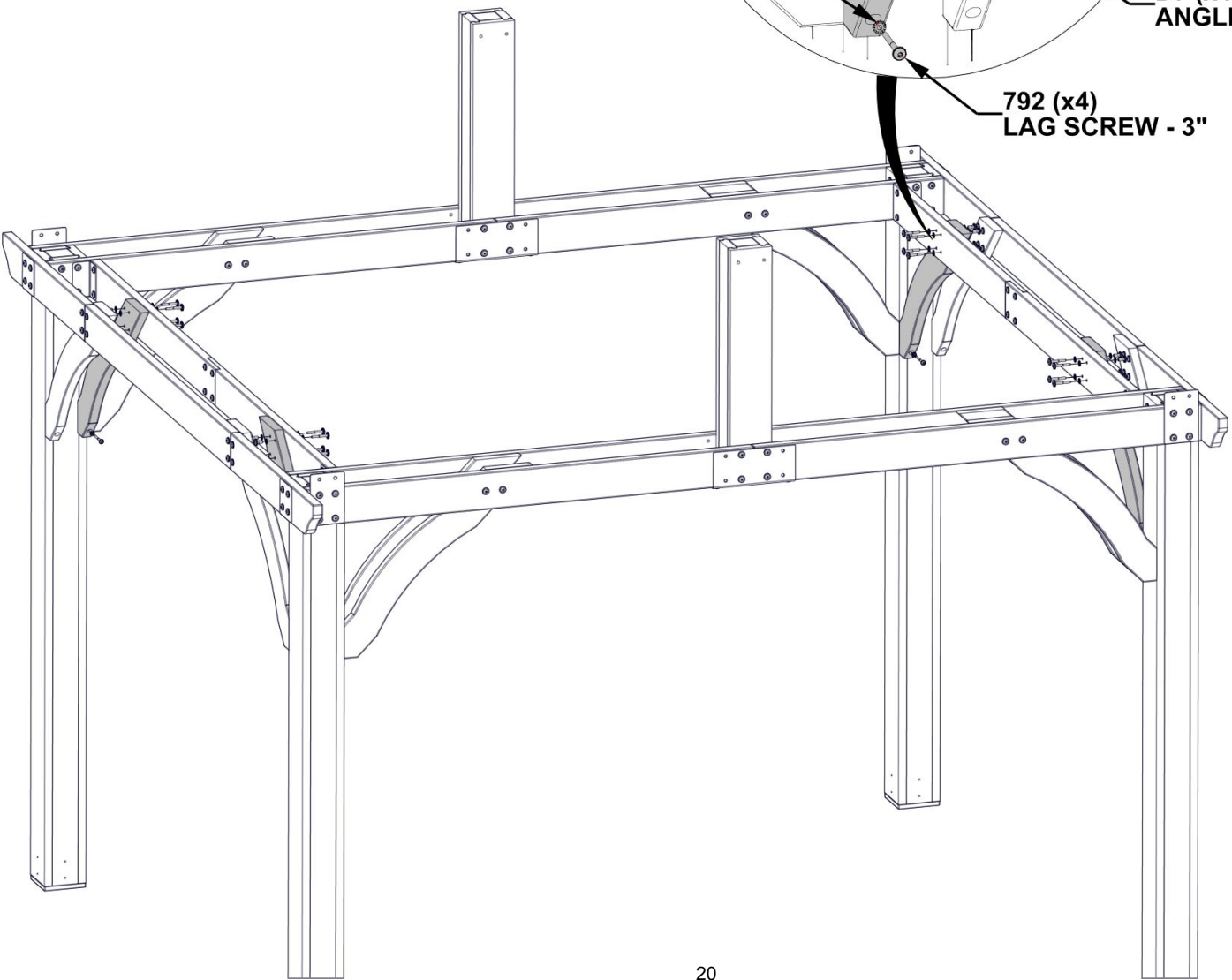
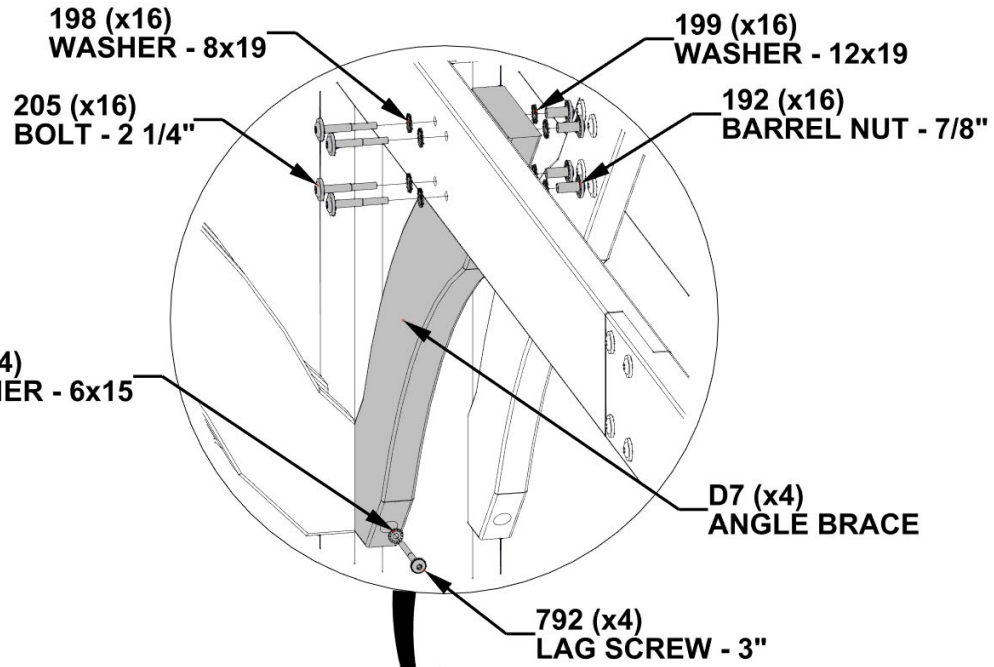


STEP 8 - GAZEBO ASSEMBLY

QTY	PART NUMBER	DESCRIPTION
16	H100192	NUT BARREL WH 5/16X7/8 BLK
16	H100198	WASHER LOCK EXT 8x19
16	H100199	WASHER LOCK EXT 12x19
16	H100205	BOLT WH 5/16x2 1/4 BLK
4	H100405	WASHER LOCK EXT 6x15
4	H100792	LAG SCREW WH 1/4x3 BLK

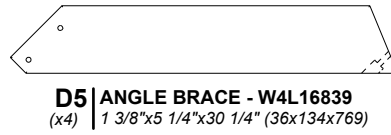
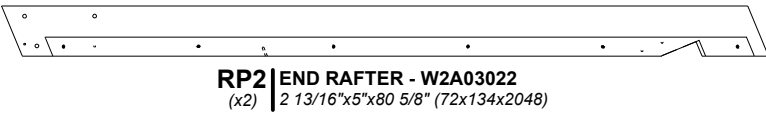
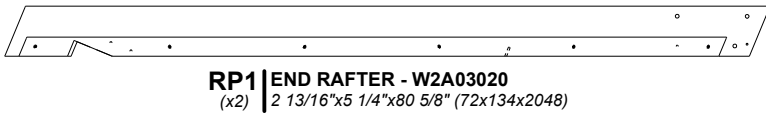


D7 | ANGLE BRACE - W4L16840
(x4) | 1 3/8"x6 3/8"x36 7/8" (34x163x938)

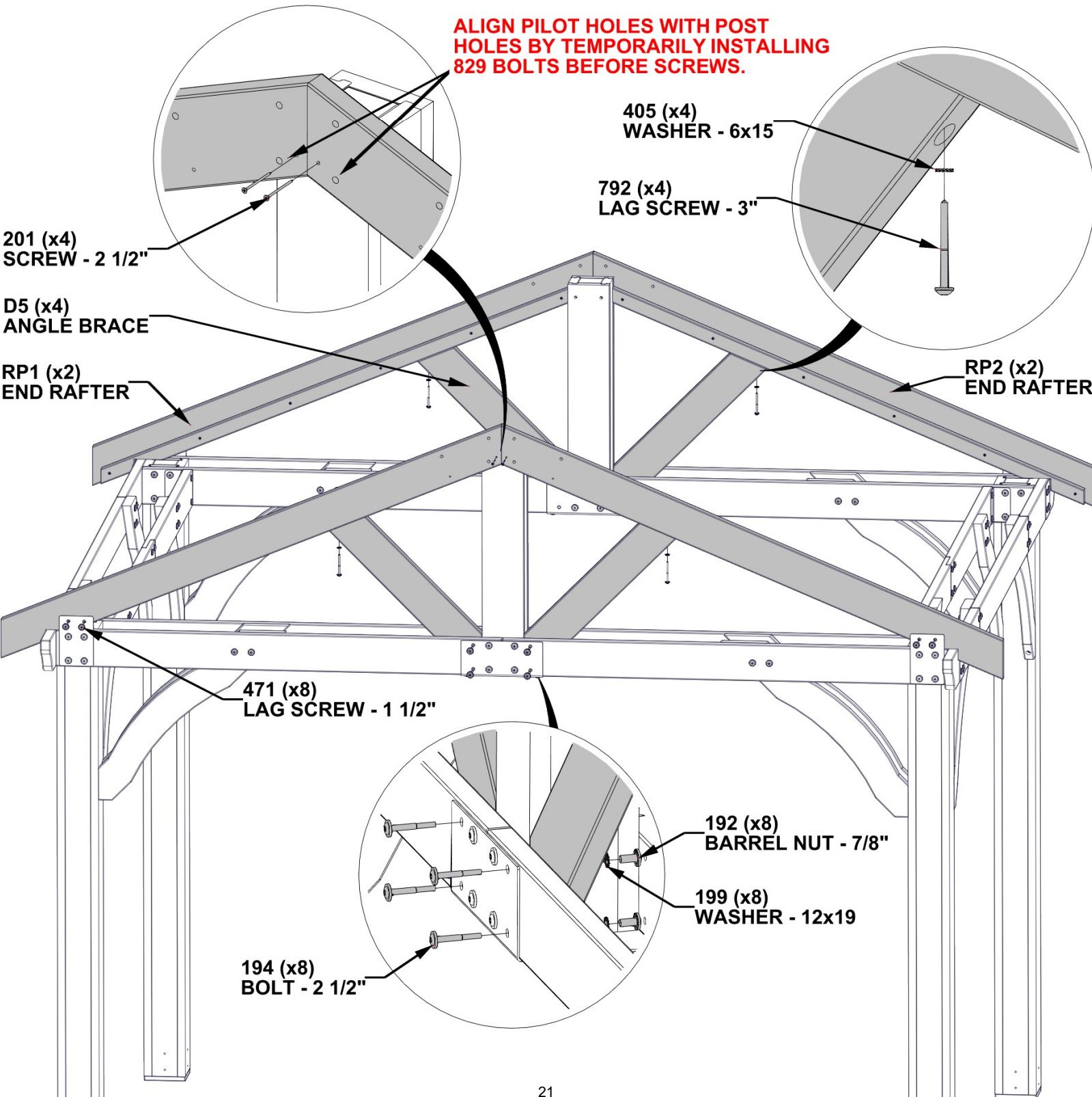


STEP 9 - GAZEBO ASSEMBLY

QTY	PART NUMBER	DESCRIPTION
4	H100792	LAG SCREW WH 1/4x3 BLK
4	H100405	WASHER LOCK EXT 6x15
4	H100201	SCREW WH 1/4x2 1/2 BLK
8	H100192	NUT BARREL WH 5/16X7/8 BLK
8	H100194	BOLT WH 5/16x2 1/2 BLK
8	H100471	LAG SCREW WH 5/16x1 1/2 BLK
8	H100199	WASHER LOCK EXT 12x19

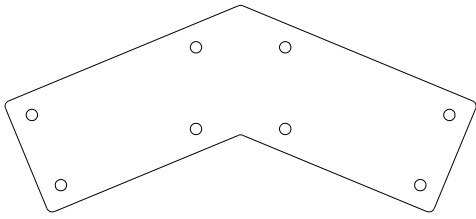


ALIGN PILOT HOLES WITH POST HOLES BY TEMPORARILY INSTALLING 829 BOLTS BEFORE SCREWS.

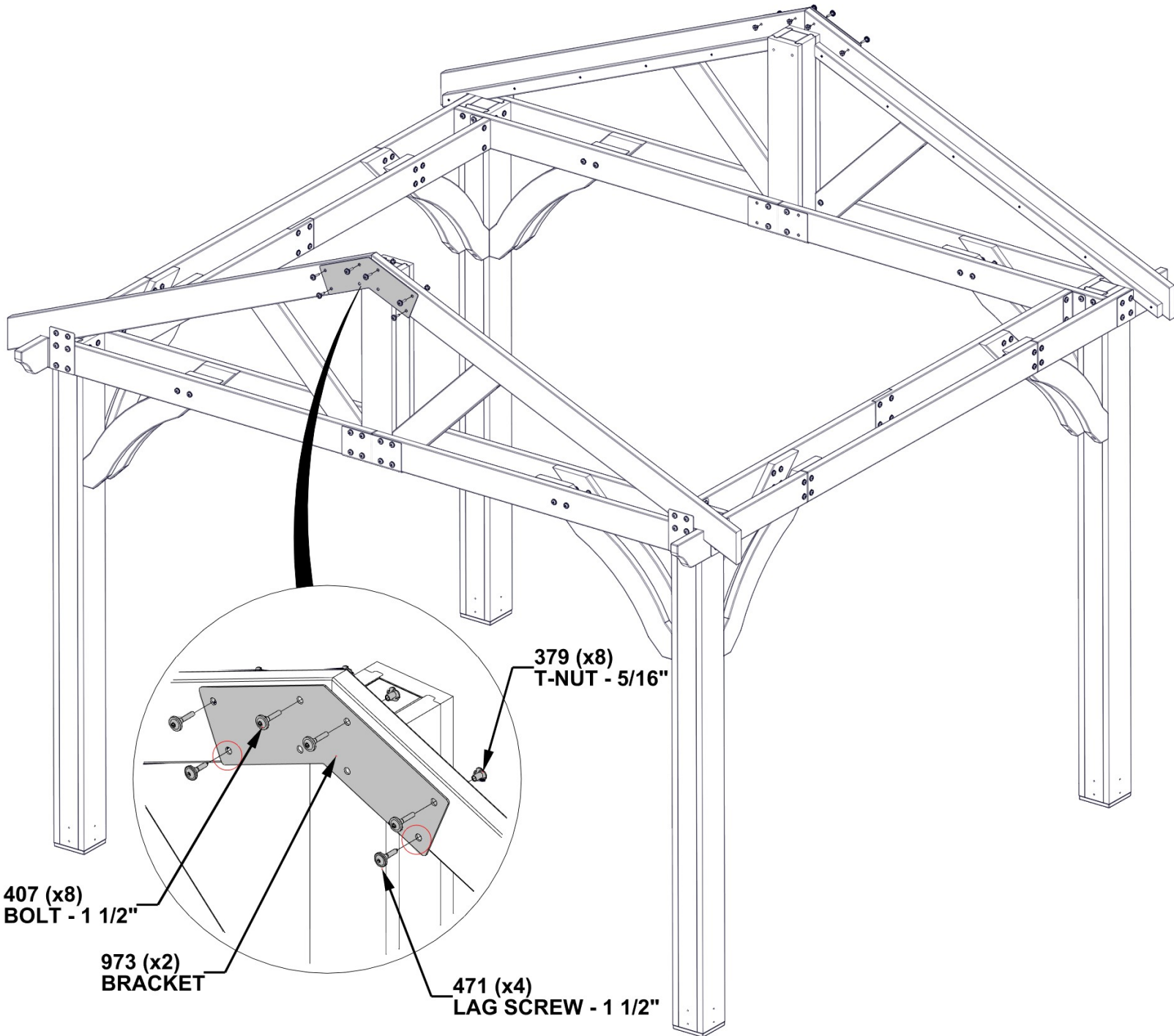


STEP 10 - GAZEBO ASSEMBLY

QTY	PART NUMBER	DESCRIPTION
4	H100471	LAG SCREW WH 5/16x1 1/2 BLK
8	H100379	T-NUT 5/16 BLK
8	H100407	BOLT WH 5/16x1 1/2 BLK



A4M00973
(x2) **BRACKET**

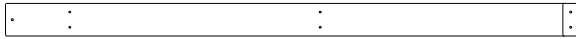


STEP 11 - GAZEBO ASSEMBLY

QTY	PART NUMBER	DESCRIPTION
10	H100200	SCREW PFH 8x1 1/2 BLK
30	H100391	SCREW PFH 8x2 BLK



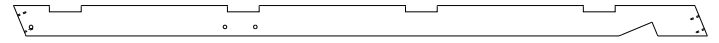
H1 | RAFTER - W4L13612
(x2) | 1"x3 3/8"x79 3/16" (24x86x2012)



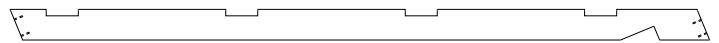
H2 | FASCIA - W4L13605
(x4) | 1"x3 3/8"x59 3/8" (24x86x1507)



H3 | RAFTER - W4L13613
(x2) | 1"x3 3/8"x27 5/16" (24x86x695)

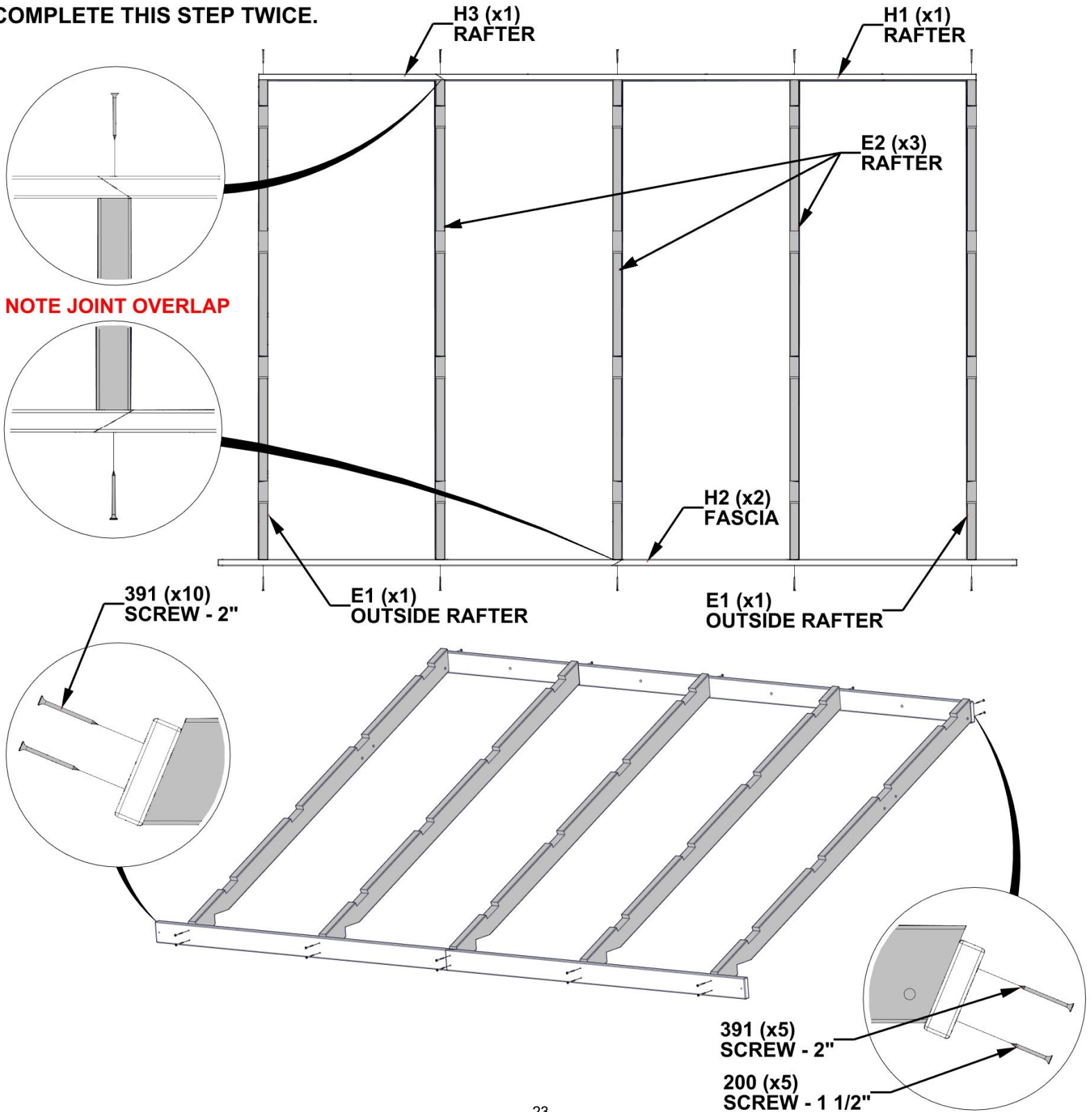


E1 | OUTSIDE RAFTER - W4L13604
(x4) | 1 3/8"x3 3/8"x77 3/8" (36x86x1965)



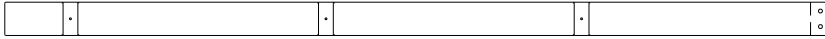
E2 | RAFTER - W4L13603
(x6) | 1 3/8"x3 3/8"x77 3/8" (36x86x1965)

COMPLETE THIS STEP TWICE.



STEP 12 - GAZEBO ASSEMBLY

QTY	PART NUMBER	DESCRIPTION
16	H100379	T-NUT 5/16 BLK
16	H100459	BOLT WH 5/16x1 1/4 BLK
16	H100198	WASHER LOCK EXT 8x19
40	H100391	SCREW PFH 8x2 BLK

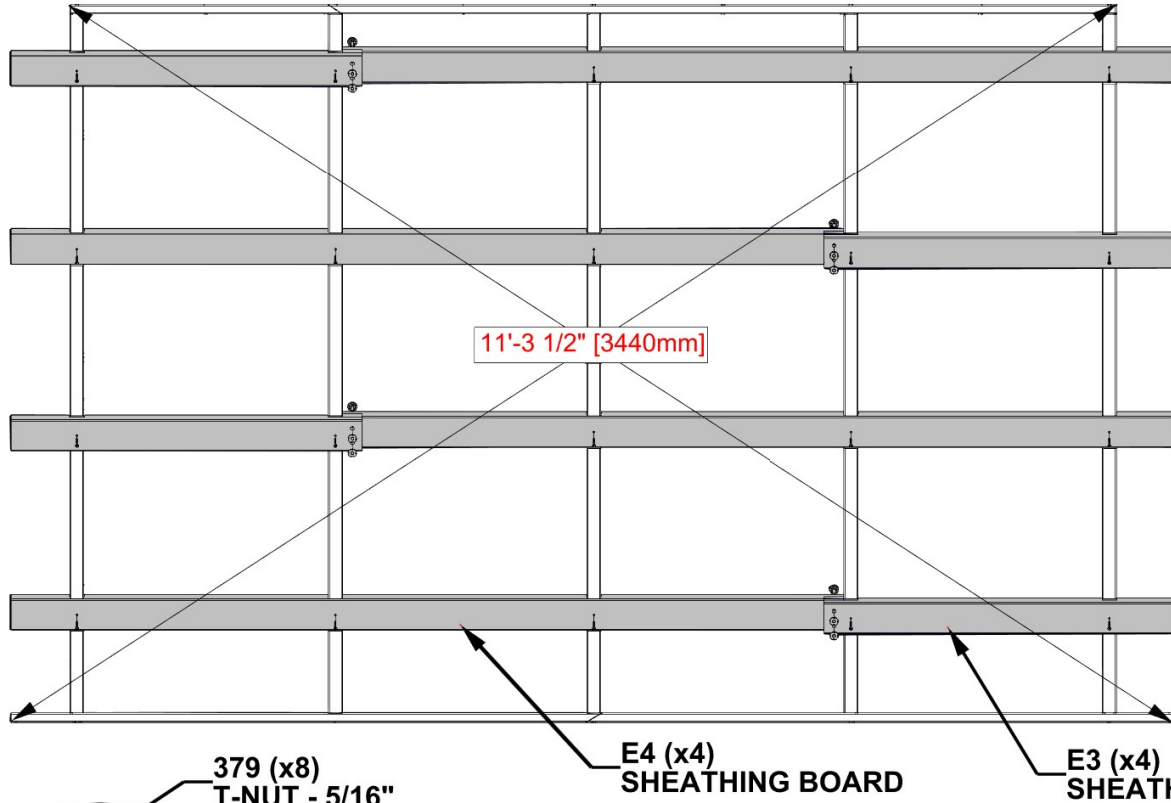


E3 | SHEATHING BOARD - W4L13597
(x8) | 1 3/8"x3 3/8"x83 3/4" (36x86x2126)



E4 | SHEATHING BOARD - W4L13601
(x8) | 1 3/8"x3 3/8"x35 1/4" (36x86x896)

COMPLETE THIS STEP TWICE.



391 (x20)
SCREW - 2"

379 (x8)
T-NUT - 5/16"

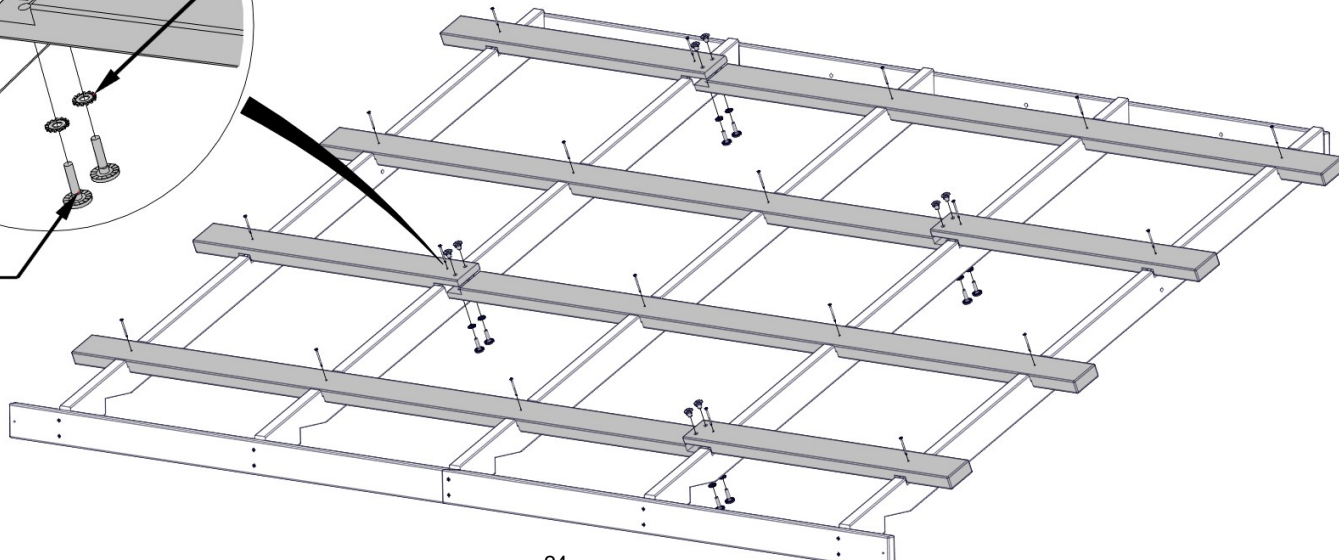
E4 (x4)
SHEATHING BOARD

E3 (x4)
SHEATHING BOARD

198 (x8)
WASHER - 8x19

NOTE:
SQUARE EACH ROOF PANEL. MEASURE FROM
CORNER TO CORNER AS SHOWN AND ENSURE THE
MEASUREMENT IS THE SAME IN EACH DIRECTION.
THEN INSTALL THE E3 & E4 BOARDS AS SHOWN.

459 (x8)
BOLT - 1 1/4"

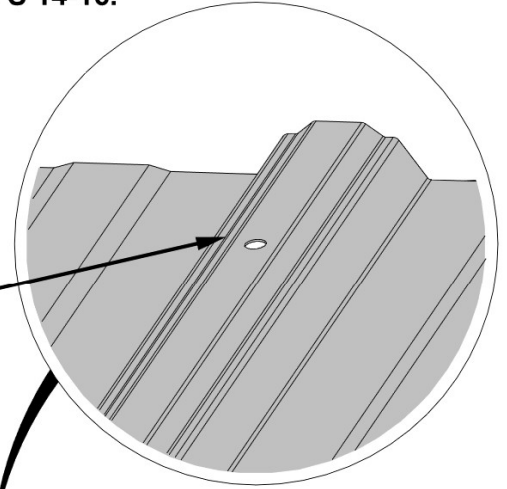


STEP 13 - GAZEBO ASSEMBLY

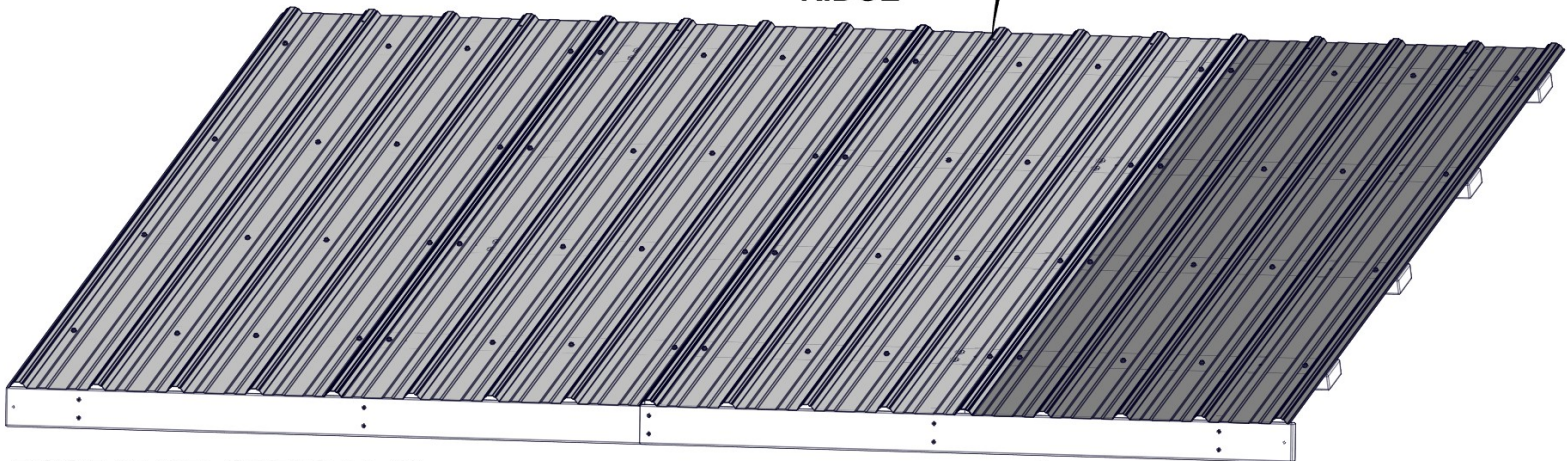
USE THIS PAGE TO FAMILIARIZE YOURSELF WITH THE ROOF PANEL AND ASSIST YOU IN STEPS 14-16.

TO ASSEMBLE THE ROOF PANEL, REMOVE PLASTIC FILM FROM EACH PANEL AS IT IS NEEDED. START AT THE END INDICATED, AND ASSEMBLE IN THE DIRECTION OF THE ARROW.

THE PRE-DRILLED HOLES ON EACH PANEL SHOULD ALWAYS BE POSITIONED ON THE RIDGE SIDE.



RIDGE

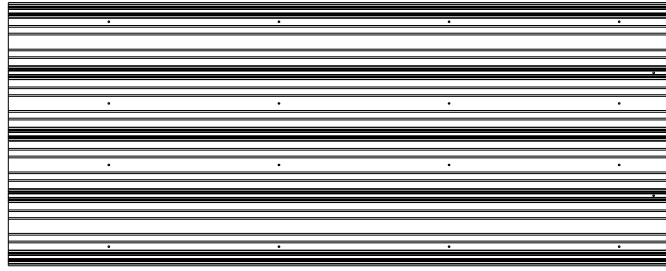


ROOF PANEL STEPS 14-16

GLOVES SHOULD BE WORN WHEN HANDLING ROOF PANELS: EDGES ARE SHARP.

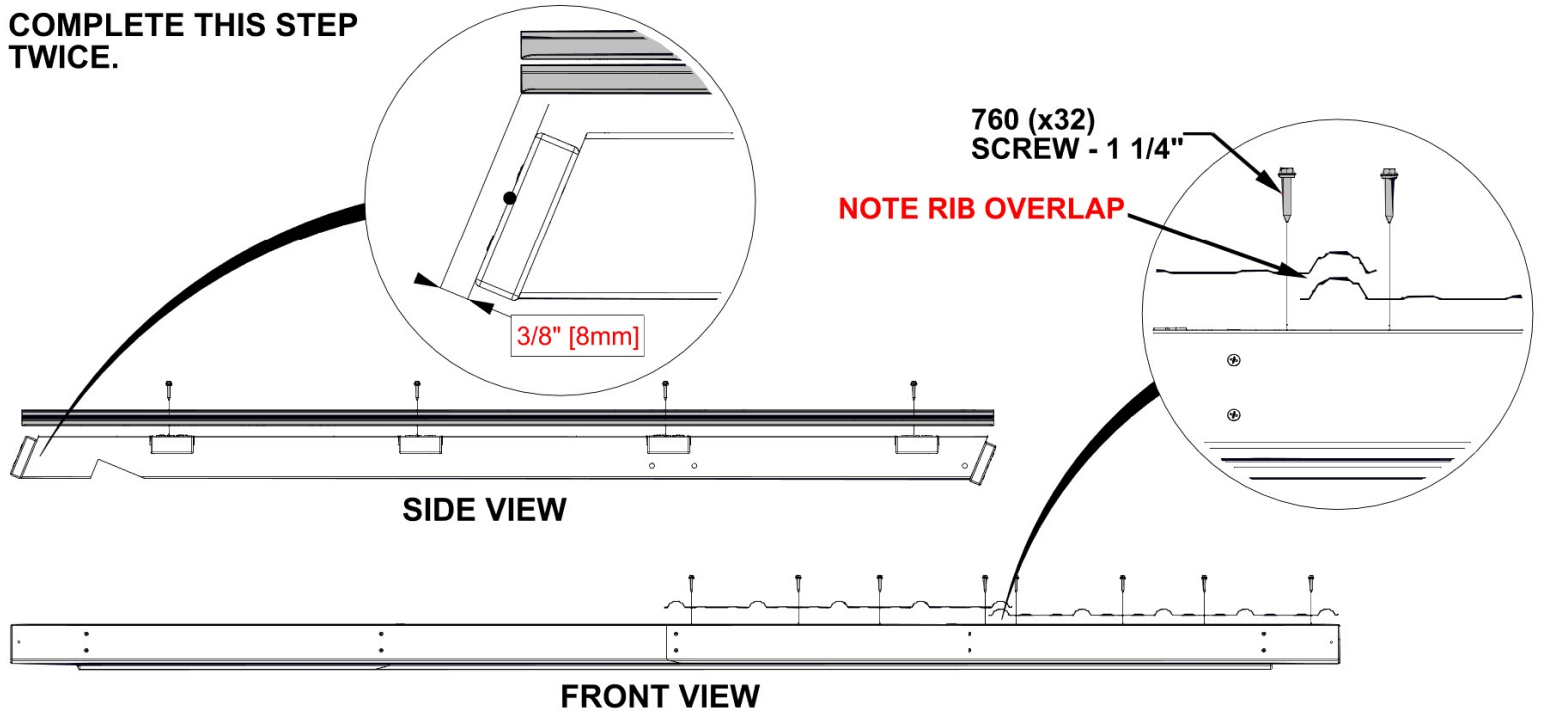
STEP 14 - GAZEBO ASSEMBLY

QTY	PART NUMBER	DESCRIPTION
64	H100760	SCREW WOODGRIP 10-16x1-1/4"

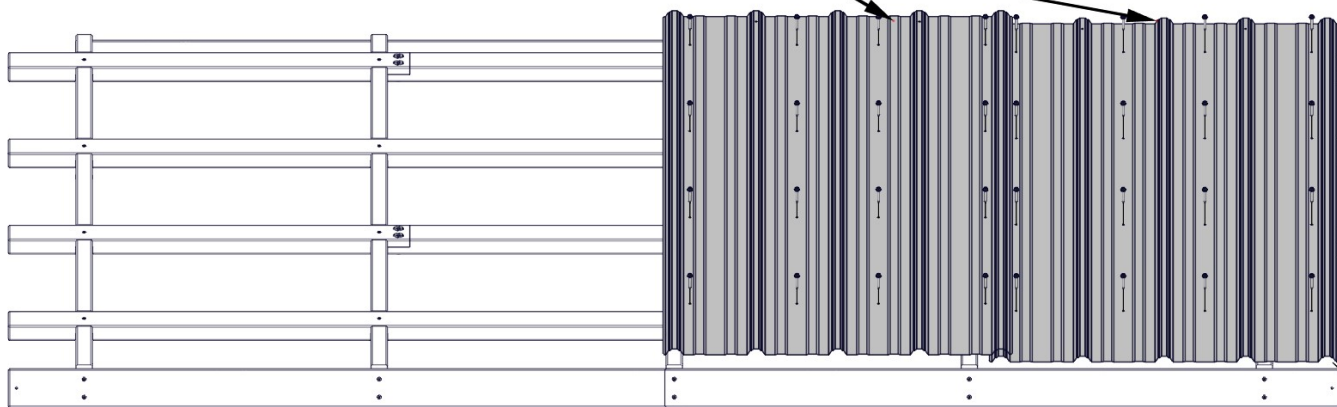


A4M01124 (x4) | 29 GA STEEL SHEETING

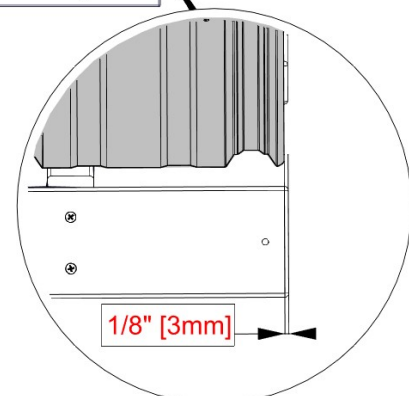
COMPLETE THIS STEP TWICE.



124 (x2)
29 GA STEEL SHEETING



ENSURE ROOF PANEL IS SQUARE BEFORE MOVING ON.



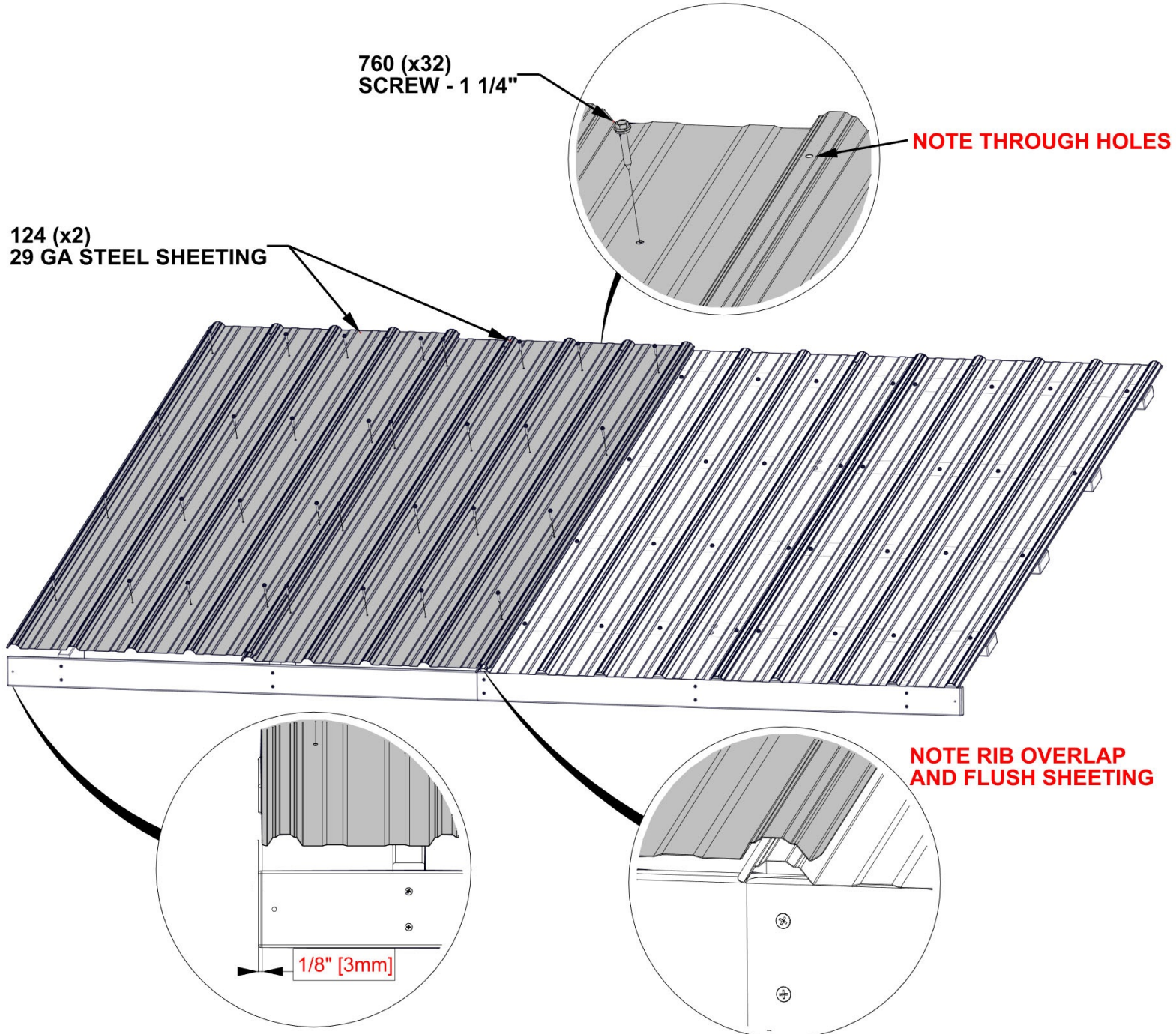
STEP 15 - GAZEBO ASSEMBLY

QTY	PART NUMBER	DESCRIPTION
64	H100760	SCREW WOODGRIP 10-16x1-1/4"



A4M01124 | 29 GA STEEL SHEETING
(x4)

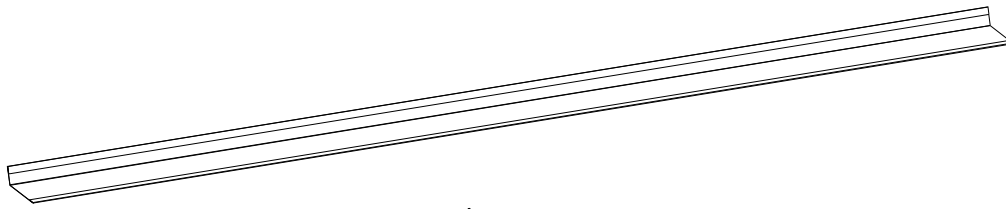
COMPLETE THIS STEP TWICE.



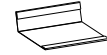
**HOLD SHEETING INSIDE OF
FRAME MEASURING AS SHOWN.**

STEP 16 - GAZEBO ASSEMBLY

QTY	PART NUMBER	DESCRIPTION
16	H100759	SCREW SELF TAPPING 1/4x1"



A4M00982 (x4) | ROOF EDGE TRIM

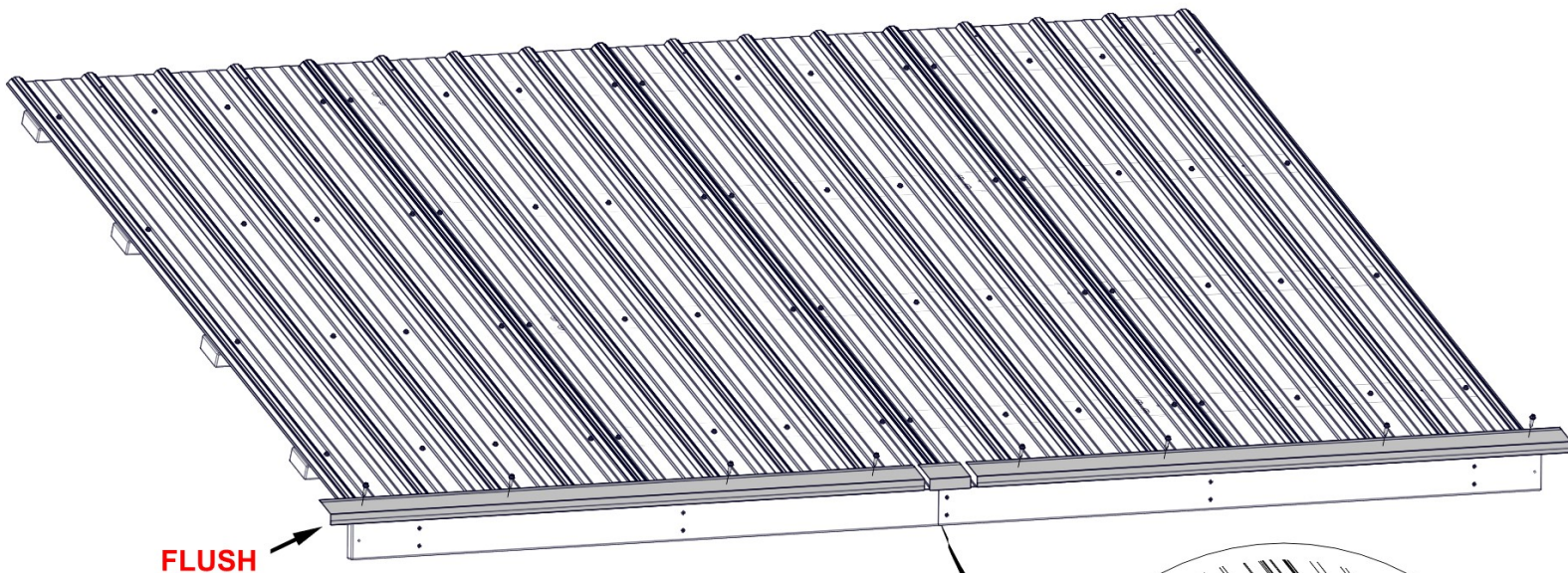
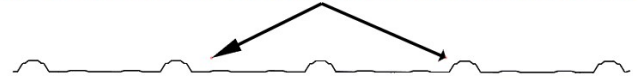


A4M00983 (x2) | ROOF EDGE TRIM SPLICE

COMPLETE THIS STEP TWICE

DUE TO MULTIPLE LAYERS OF METAL ON THE EDGE TRIM, IT IS RECOMMENDED THAT A 1/8" DRILL BIT IS USED TO CREATE STARTER HOLES.

SCREWS GO THROUGH EDGE TRIM INTO THE TOP OF THE RIBS IN THE APPROXIMATE LOCATIONS SHOWN.

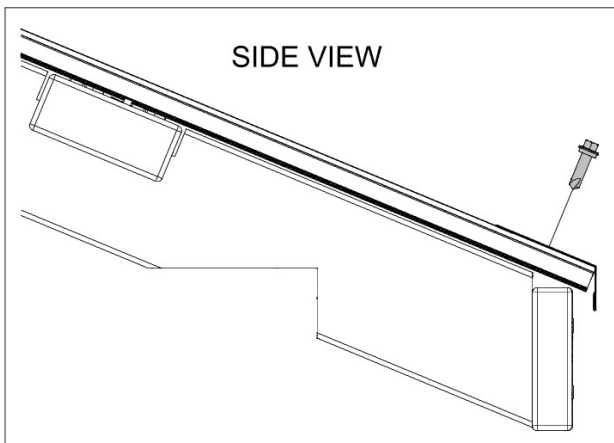
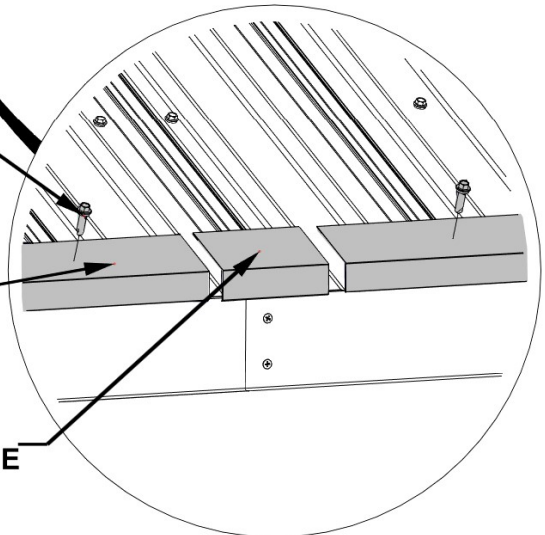


FLUSH

759 (x8)
SCREW - 3/4"

982 (x2)
ROOF EDGE TRIM

983 (x1)
ROOF EDGE TRIM SPLICE



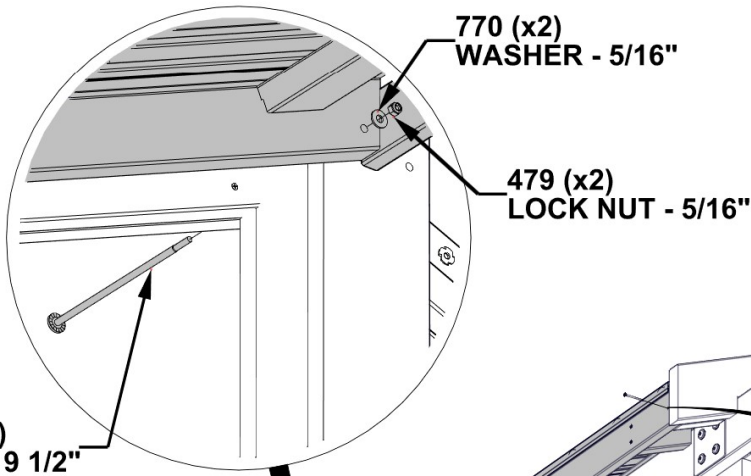
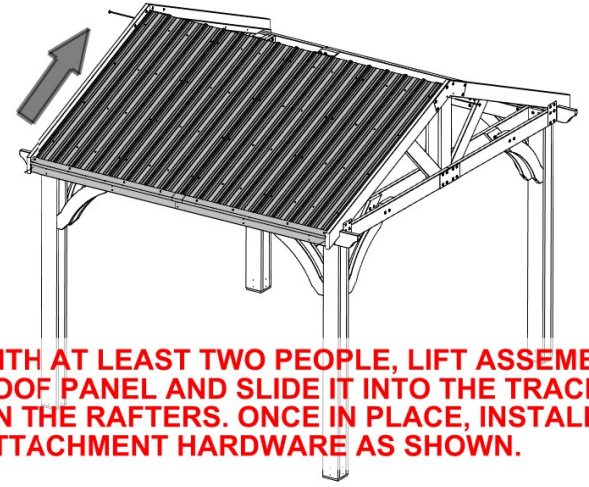
SIDE VIEW

SLIDE EDGE TRIM INTO SPLICE. ENSURE THAT BOTH ENDS ARE FLUSH WITH EDGE OF ROOF PANELS.

STEP 17 - GAZEBO ASSEMBLY

QTY	PART NUMBER	DESCRIPTION
2	H100479	NUT LOCK 5/16 BLK
2	H100829	BOLT WH 5/16x9 1/2 BLK
2	H100770	WASHER FLAT 9.5x22 BLK
2	H100391	SCREW PFH 8x2 BLK

**INSTALL BOLTS, WASHERS,
AND NUTS BEFORE SCREWS.**

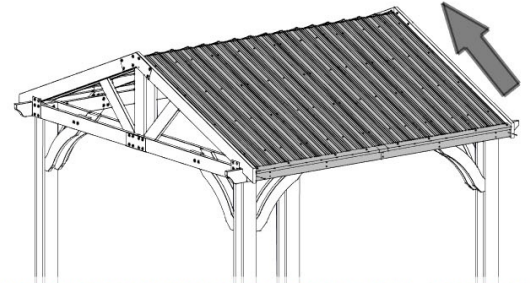


391 (x2)
SCREW - 2"

STEP 18 - GAZEBO ASSEMBLY

QTY	PART NUMBER	DESCRIPTION
4	H100194	BOLT WH 5/16x2 1/2 BLK
4	H100198	WASHER LOCK EXT 8x19
2	H100391	SCREW PFH 8x2 BLK
4	H100479	NUT LOCK 5/16 BLK
4	H100770	WASHER FLAT 9.5x22 BLK

**INSTALL BOLTS, WASHERS,
AND NUTS BEFORE SCREWS.**



**WITH AT LEAST TWO PEOPLE, LIFT ASSEMBLED
ROOF PANEL AND SLIDE IT INTO THE TRACKS
ON THE RAFTERS. ONCE IN PLACE, INSTALL
ATTACHMENT HARDWARE AS SHOWN.**

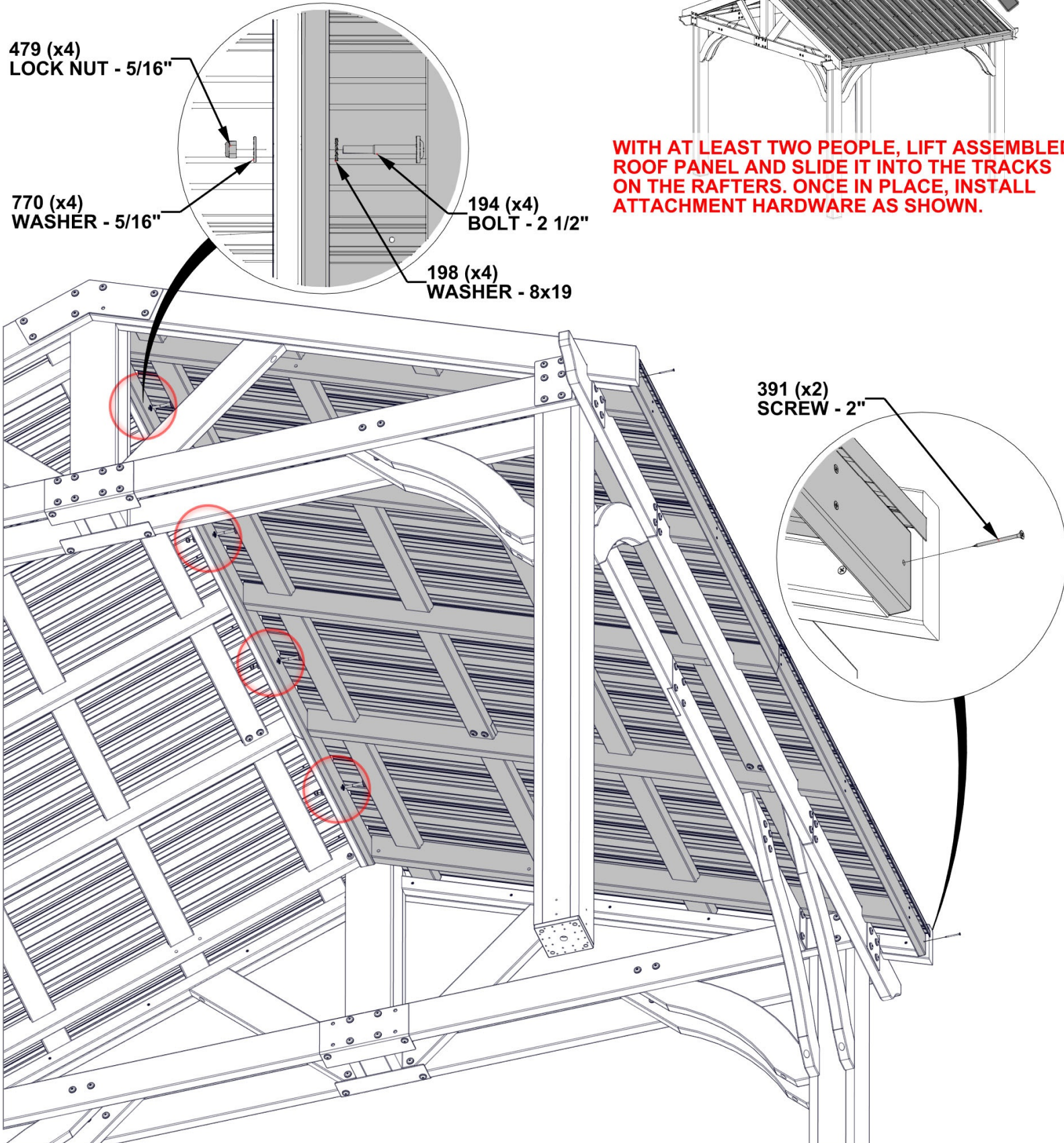
479 (x4)
LOCK NUT - 5/16"

770 (x4)
WASHER - 5/16"

194 (x4)
BOLT - 2 1/2"

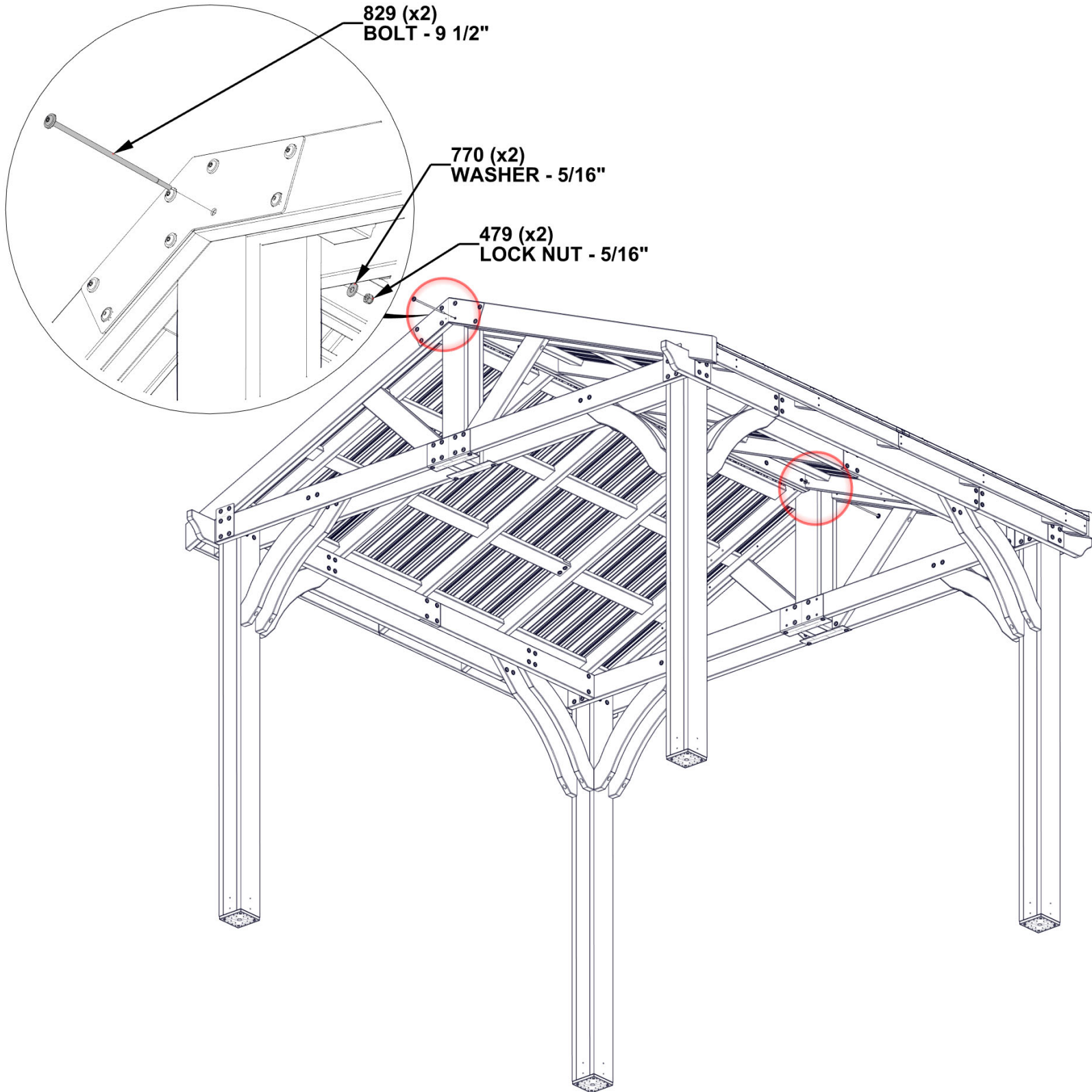
198 (x4)
WASHER - 8x19

391 (x2)
SCREW - 2"



STEP 19 - GAZEBO ASSEMBLY

QTY	PART NUMBER	DESCRIPTION
2	H100479	NUT LOCK 5/16 BLK
2	H100770	WASHER FLAT 9.5x22 BLK
2	H100829	BOLT WH 5/16x9 1/2 BLK

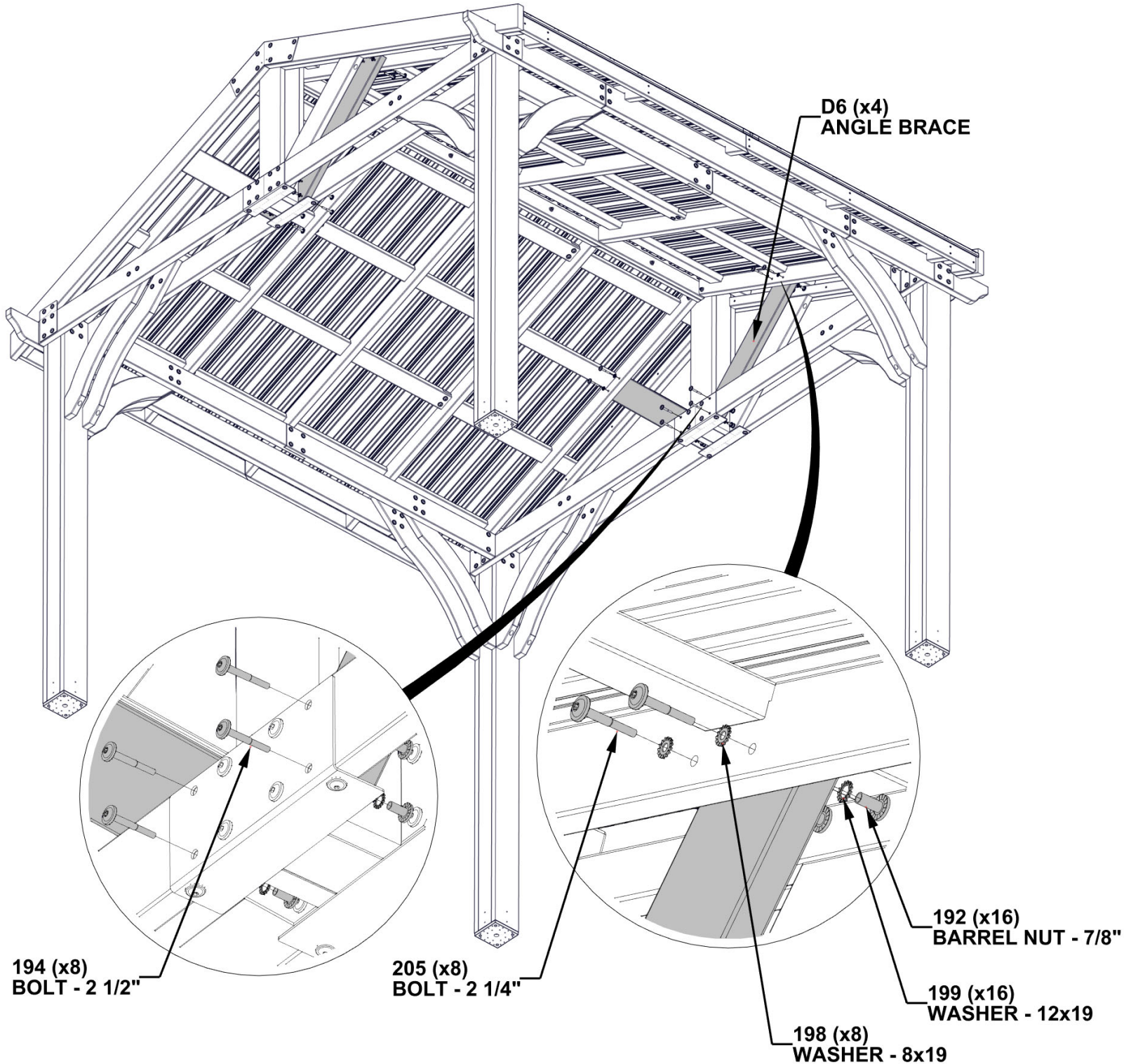


STEP 20 - GAZEBO ASSEMBLY

QTY	PART NUMBER	DESCRIPTION
16	H100192	NUT BARREL WH 5/16X7/8 BLK
8	H100194	BOLT WH 5/16x2 1/2 BLK
8	H100198	WASHER LOCK EXT 8x19
16	H100199	WASHER LOCK EXT 12x19
8	H100205	BOLT WH 5/16x2 1/4 BLK

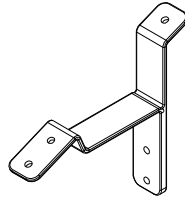


D6 | ANGLE BRACE - W4L13607
(x4) 1 3/8"x5 1/4"x32 3/8" (36x134x823)



STEP 21 - GAZEBO ASSEMBLY

QTY	PART NUMBER	DESCRIPTION
30	H100536	SCREW PWH 8x1 1/4 BLK

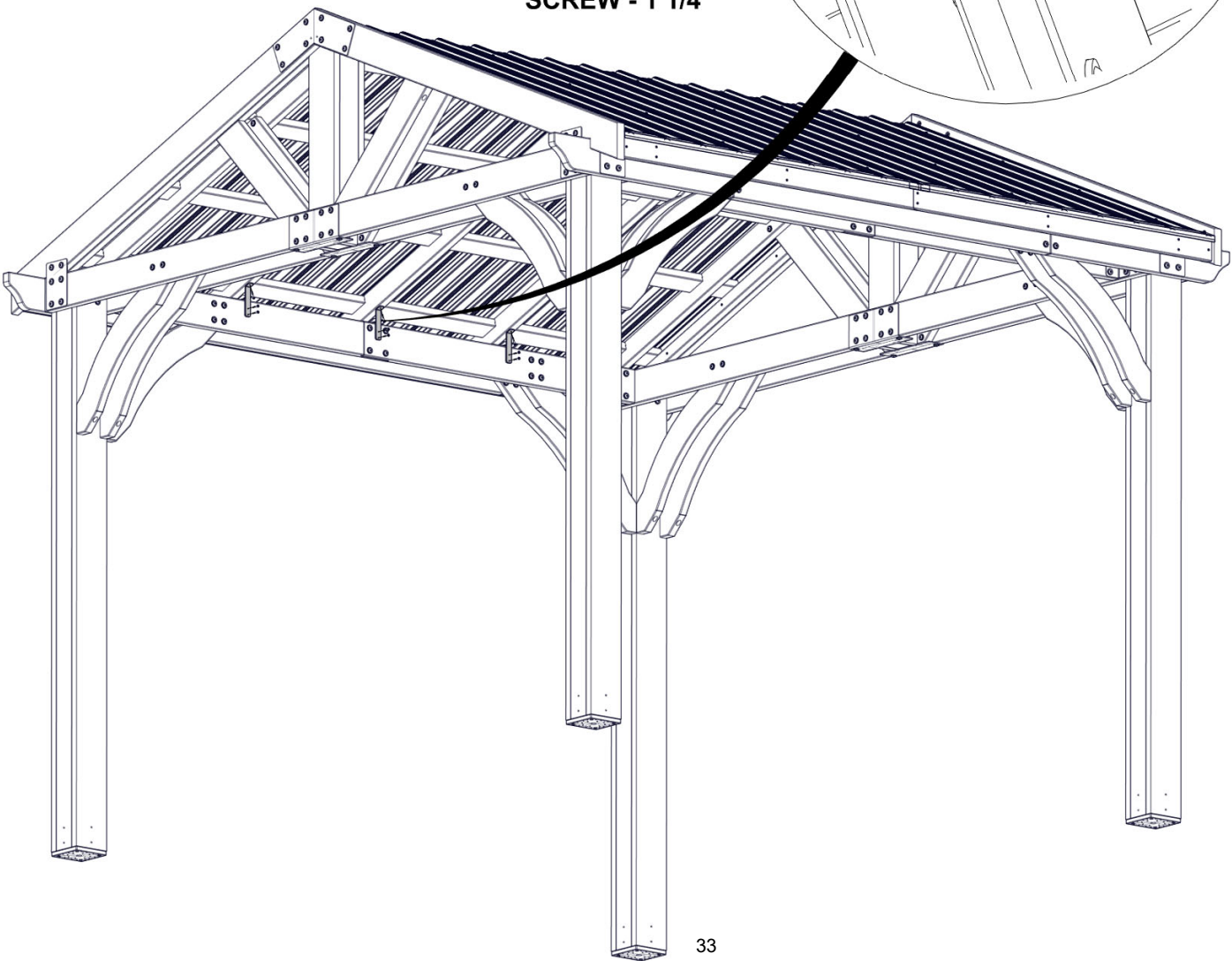
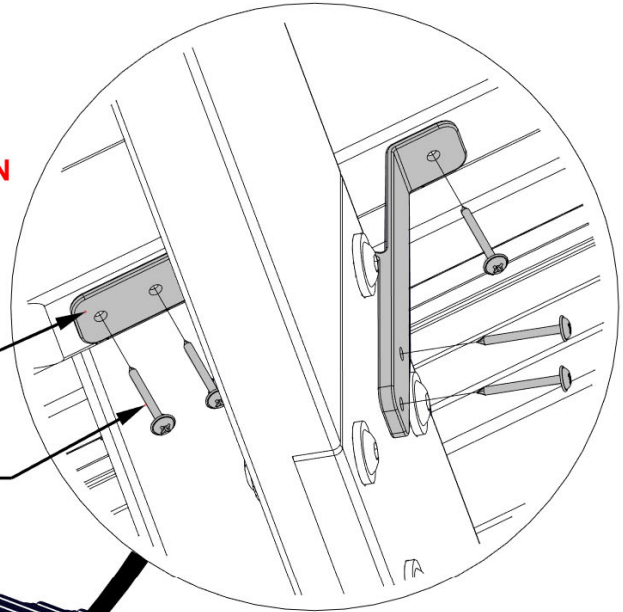


A4M00961 | ROOF BRACKET
(x6)

CENTER ROOF BRACKETS ON EACH RAFTER AND ATTACH.

961 (x6)
ROOF BRACKET

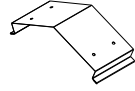
536 (x30)
SCREW - 1 1/4"



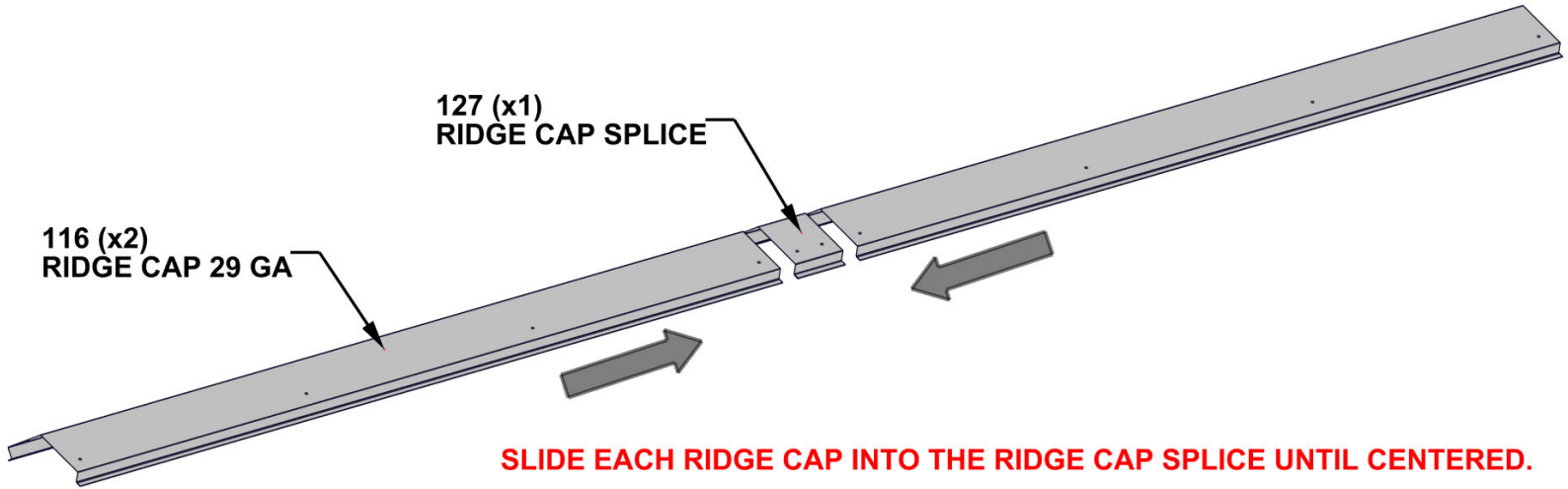
STEP 22 - GAZEBO ASSEMBLY



A4M01116 | RIDGE CAP 29 GA
(x2)



A4M01127 | RIDGE CAP SPLICE
(x1)



STEP 23 - GAZEBO ASSEMBLY

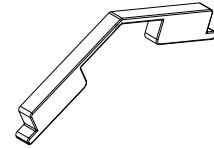
QTY	PART NUMBER	DESCRIPTION
16	H100833	SCREW WOODGRIP 10-16x3/4"



J9 | RIDGE CAP STIFFENER - W4L17390
(x2) | 1"x2 3/8"x47 5/8" (24x60x1210)



J10 | RIDGE CAP STIFFENER - W4L17391
(x2) | 1"x2 3/8"x69 1/4" (24x60x1760)

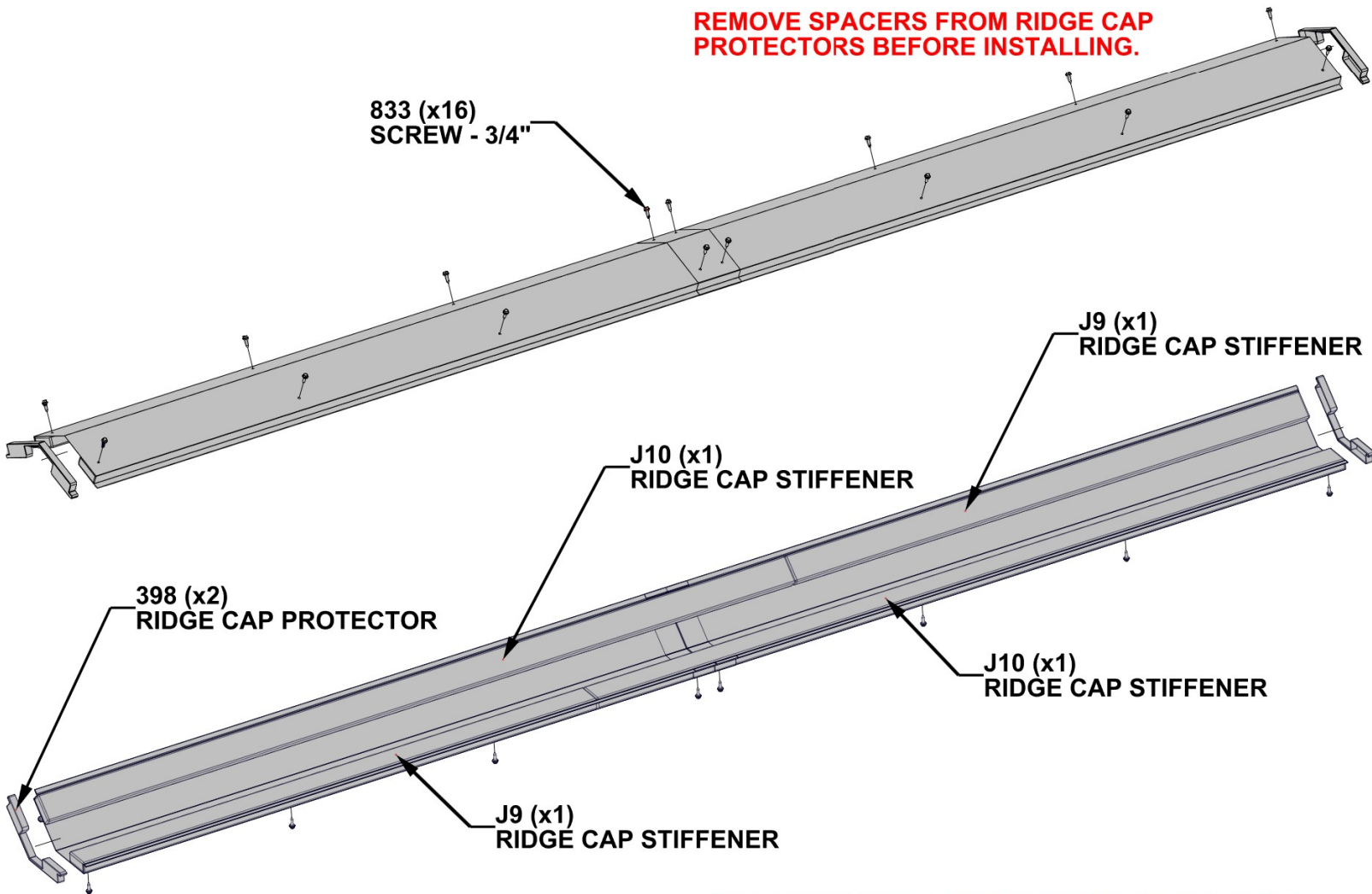


A6P00398 | RIDGE CAP
(x2) | PROTECTOR

ASSEMBLE BY ALIGNING THE HOLES ON EACH RIDGE CAP TO THE HOLES IN THE RIDGE CAP SPLICE.

FINAL LENGTH - 9'-9" [2974mm]

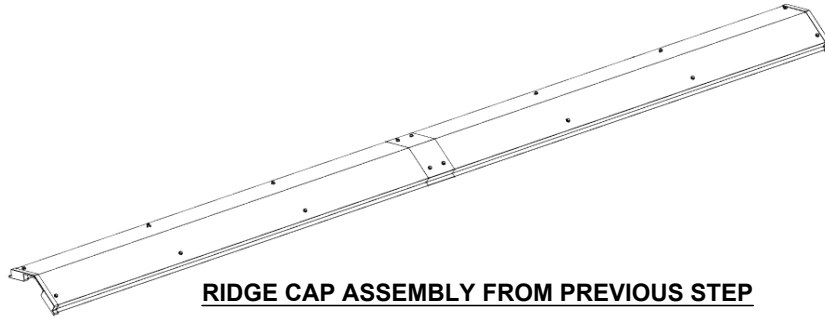
REMOVE SPACERS FROM RIDGE CAP PROTECTORS BEFORE INSTALLING.



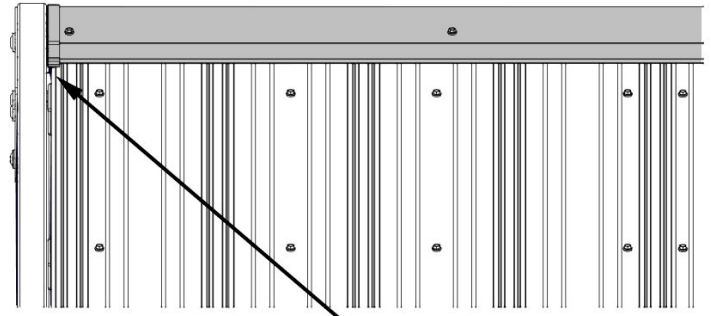
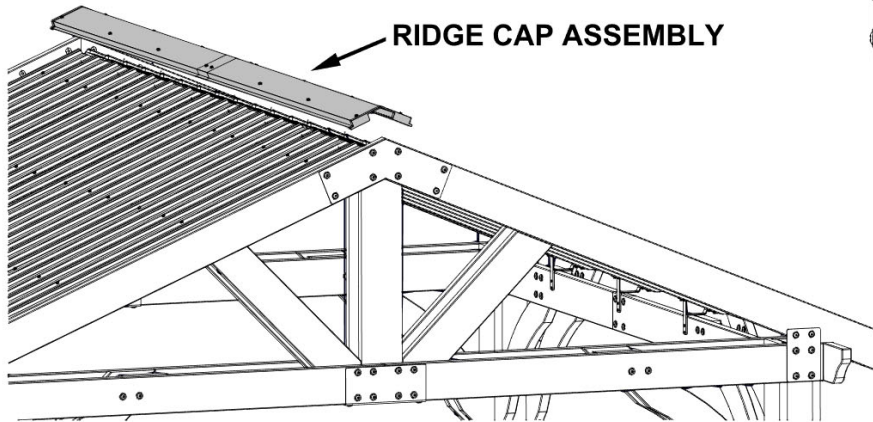
RIDGE CAP MUST BE LIFTED FROM THE MIDDLE TO PREVENT DAMAGE BEFORE INSTALLATION.

STEP 24 - GAZEBO ASSEMBLY

QTY	PART NUMBER	DESCRIPTION
16	H100392	SCREW PWH 8x3/4 BLK



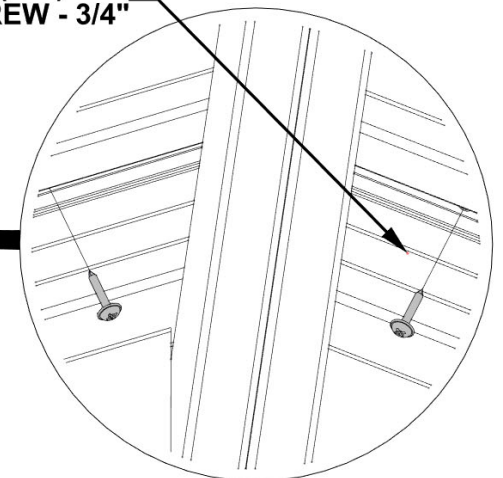
**DO NOT CLIMB ON ROOF TO INSTALL:
ROOF CAP HAS BEEN DESIGNED TO
INSTALL WITH THE USE OF A LADDER.**



**USING AN ADULT HELPER, SLIDE RIDGE
CAP ASSEMBLY ACROSS THE ROOF RIDGE
UNTIL END IS AGAINST ROOF END TRIM.**

**FOR PROPER INSTALLATION, USE AN ADULT
HELPER TO KEEP DOWNWARD PRESSURE ON
THE RIDGE CAP WHILE SCREWING IN SCREWS.**

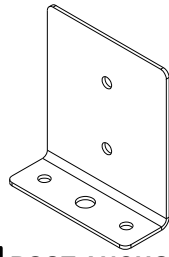
**392 (x16)
SCREW - 3/4"**



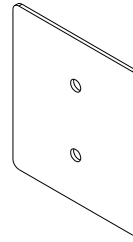
**INSTALL SCREWS THROUGH PILOT
HOLES IN ROOF PANELS INTO
RIDGE CAP STIFFENER BOARDS.**

STEP 25 - GAZEBO ASSEMBLY

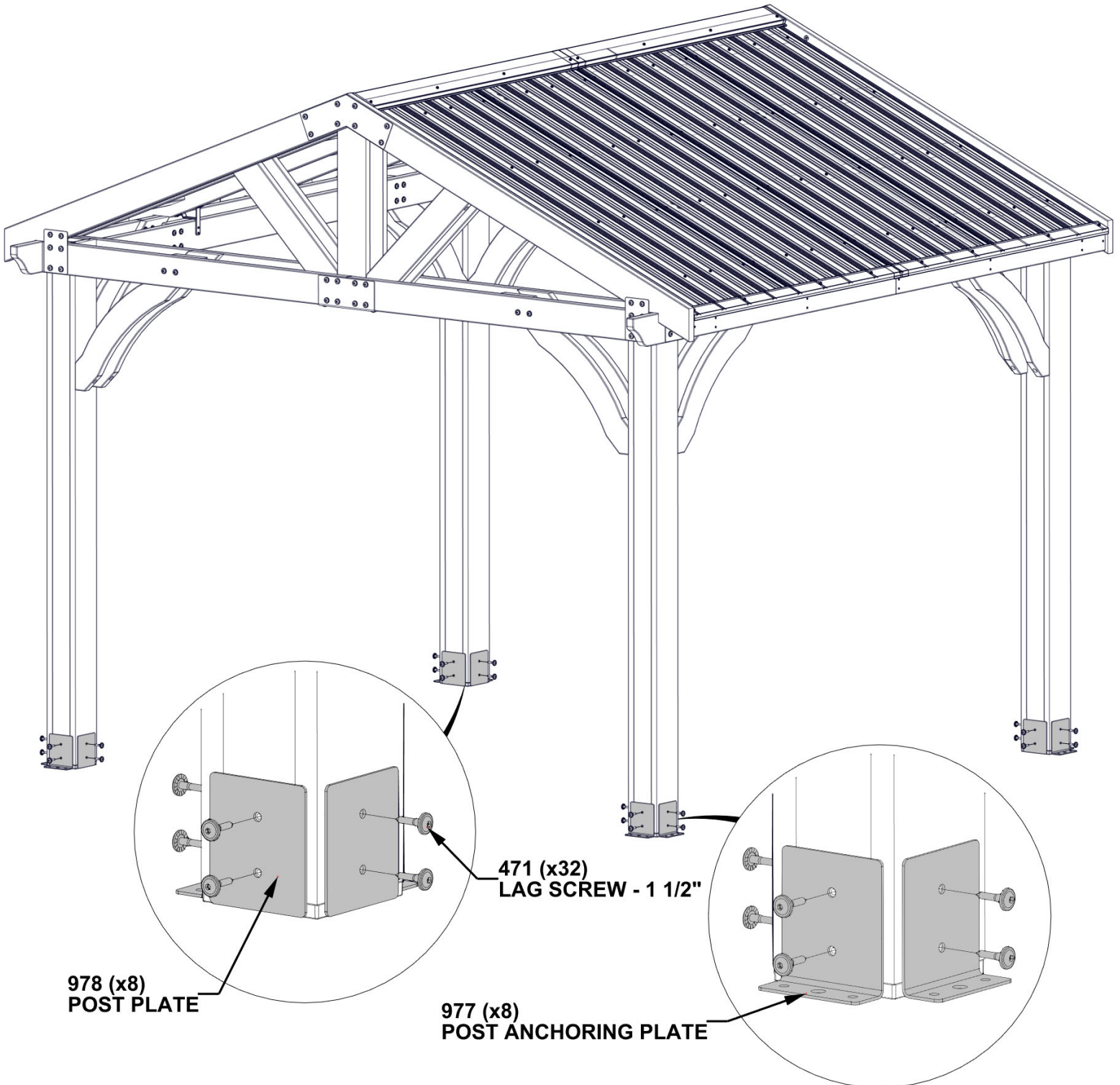
QTY	PART NUMBER	DESCRIPTION
32	H100471	LAG SCREW WH 5/16x1 1/2 BLK



A4M00977
(x8) | **POST ANCHORING PLATE**



A4M00978
(x8) | **POST PLATE**

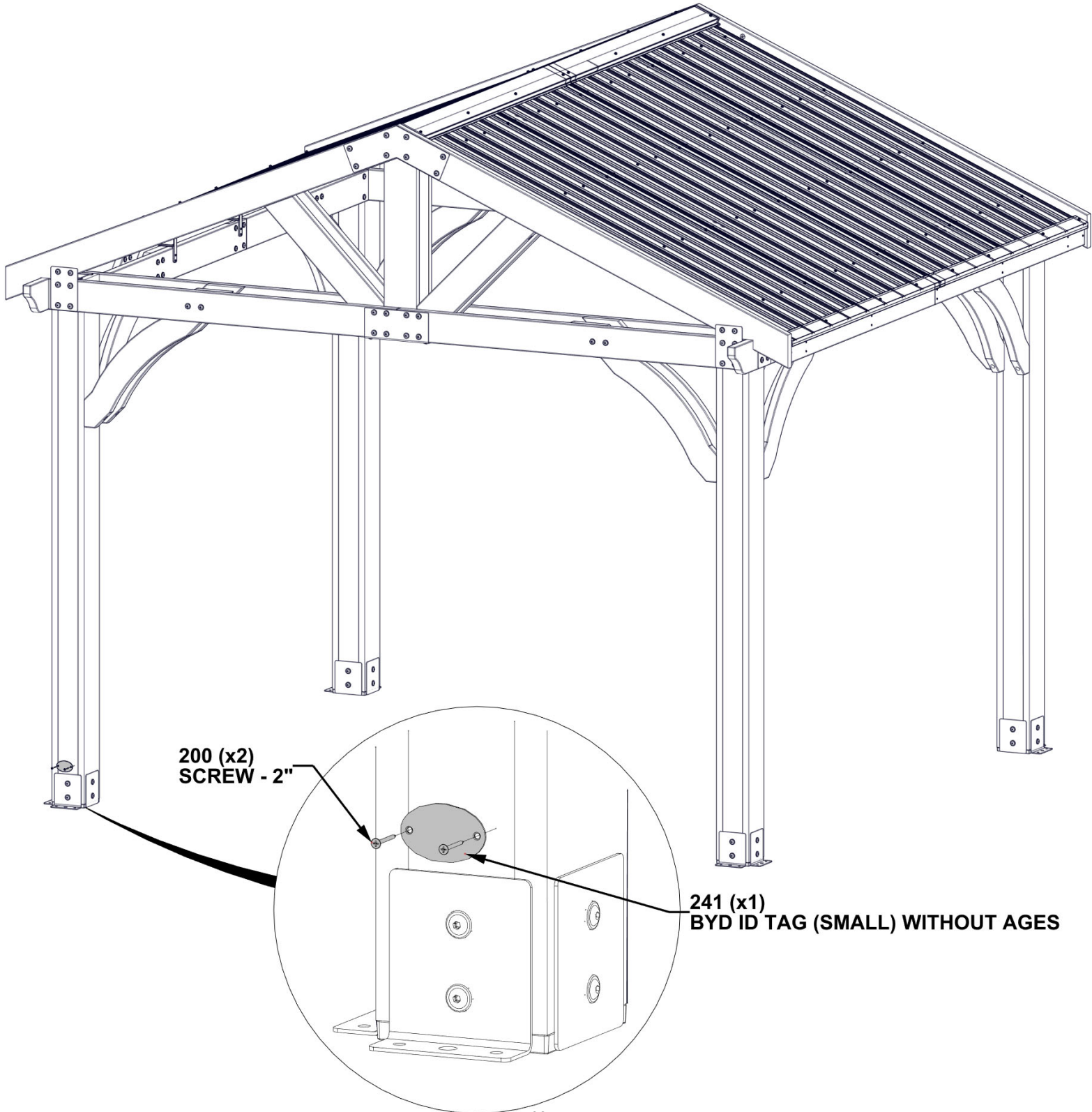


STEP 26 - GAZEBO ASSEMBLY

QTY	PART NUMBER	DESCRIPTION
2	H100200	SCREW PFH 8x1 1/2 BLK



A100241 | BYD ID TAG (SMALL) WITHOUT AGES
(x1)

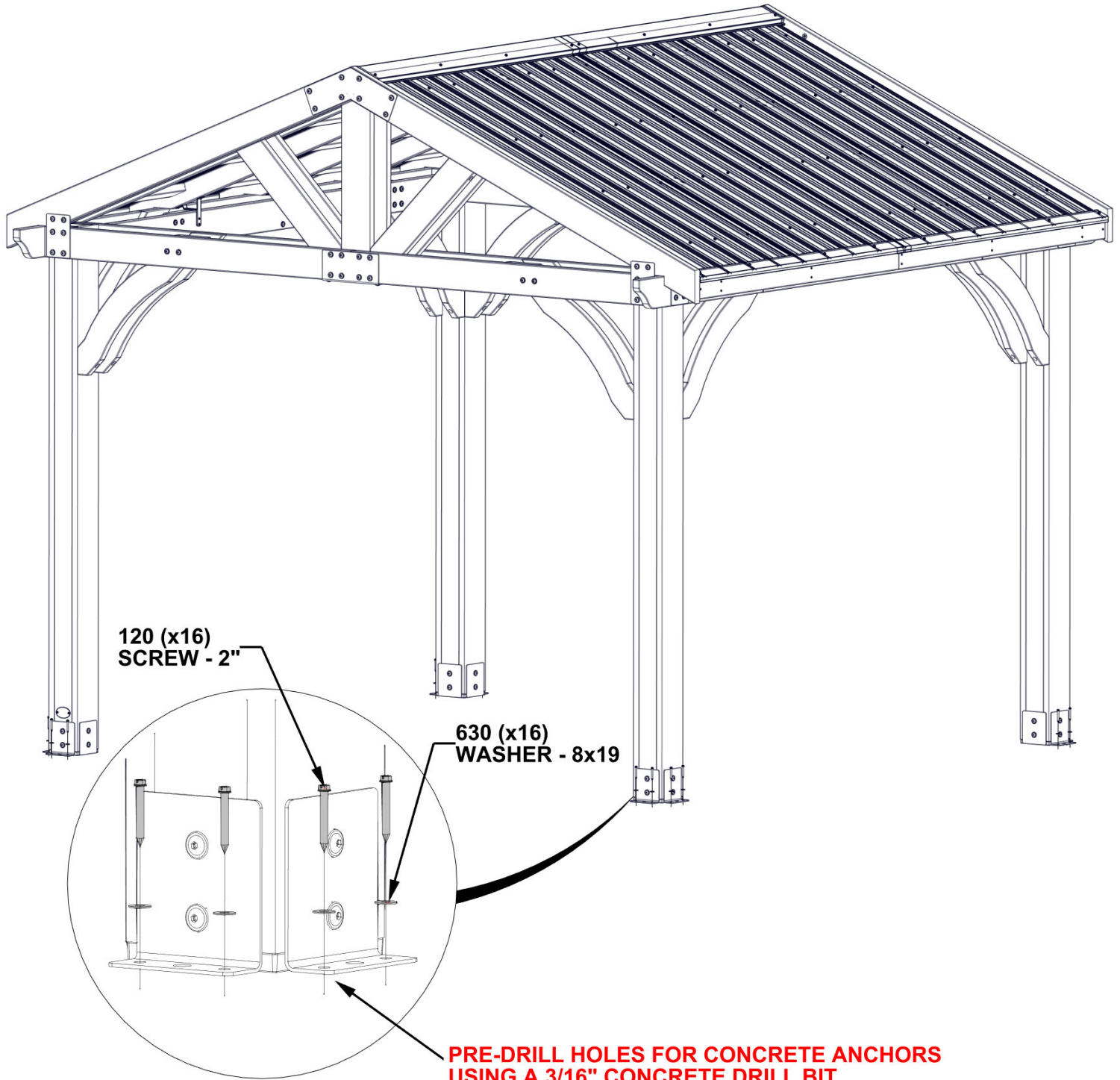


STEP 27 - GAZEBO ASSEMBLY

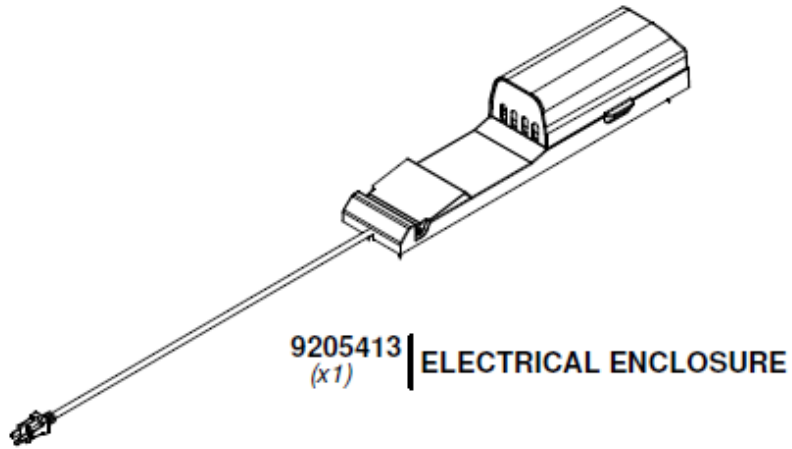
QTY	PART NUMBER	DESCRIPTION
16	H100120	SCREW CONCRETE ANCHOR
16	H100630	WASHER FLAT 8x19 BLK

MANUFACTURER RECOMMENDS INSTALLATION ON CONCRETE SURFACE OR CONCRETE POST PAD AS SHOWN BELOW.

FOR INSTALLATION ON WOOD DECK, YOU MUST ENSURE THERE IS AMPLE STRUCTURAL SUPPORT UNDER THE DECK. HARDWARE NOT INCLUDED FOR DECK ATTACHMENT.



STEP 28 - ELECTRICAL ENCLOSURE



FOR ELECTRICAL ENCLOSURE INSTALLATION REFER TO ASSEMBLY INSTRUCTIONS THAT COMES PACKAGED WITH THE ELECTRICAL ENCLOSURE KIT. INSTALL ON ANY POST THAT IS DESIRED. FOLLOW DIRECTIONS FOR PROPER INSTALLATION.