



MANUFACTURED BY:
Backyard Discovery
3305 Airport Drive, Pittsburg, KS 66762
800-856-4445

Basepoint Business Centre: Rivermead Drive, Westlea, Swindon SN5 7EX Phone: 0800-118-2476
J.P. Coenstraat 7, The Bridge, The Hague, 2595 WP, Netherlands Phone: 0800-567-8990

WHISPERING POINT

Swing Set

Model # 2300262

The assembly manual must be retained
since it contains important information



WARNING

Adult Assembly Required.

Not suitable for children under 36 months due to small parts.

FOR DOMESTIC USE ONLY. INTENDED FOR OUTDOOR USE.



Please visit www.backyarddiscovery.com

For the most up to date assembly manual, to register your set, or to order replacement parts

Para obtener instrucciones en español, visite www.backyarddiscovery.com



EASY STEP-BY-STEP
3D INTERACTIVE INSTRUCTIONS
DOWNLOAD THE FREE APP



Made in China

INS-2300262-A-WHISPERING POINT-ENG 09/13/23

Owner's Manual - Basic Setup Dimensions & Assembly Notes

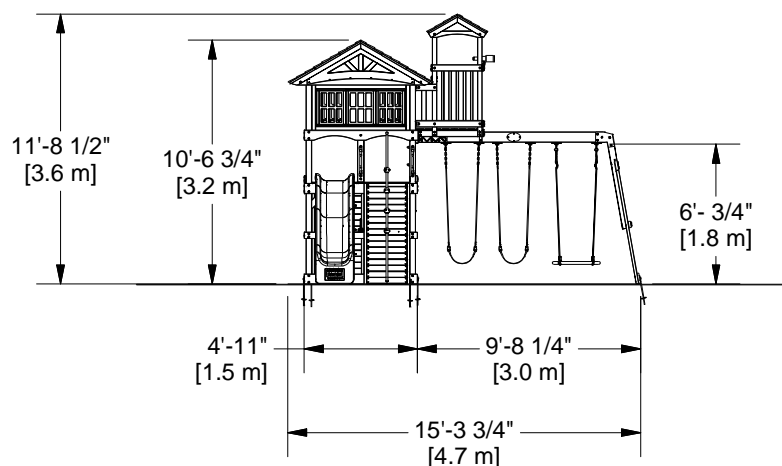
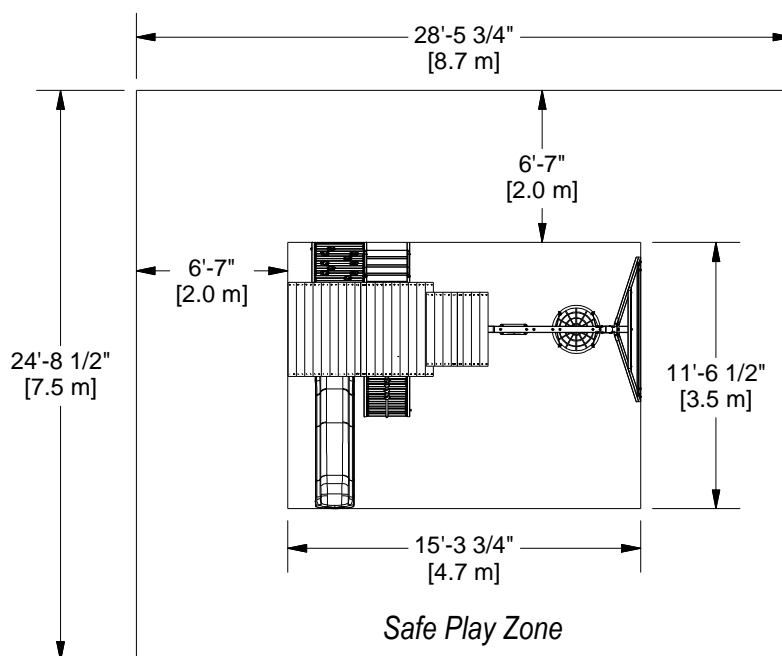
Place the set on level ground, not less than 6'-7" [2 m] from any structure or obstruction such as a fence, garage, house, overhanging branches, laundry lines, or electrical wires.

- While assembling unit, take time before and after each phase to make sure fort is level. If fort is not level, assembly will be difficult and improper assembly may result. Extra care must be taken to insure the fort is square.
- The safe play area refers to a zone extending 6'-7" (2 m) beyond the play product on all sides, including the space above the play product.

SAFE PLAY AREA DIAGRAM

Ground Dimensions

Safe Play Area



SAFE PLAY HEIGHT: 18'-3 1/2" [5.5 m]
MAXIMUM FALL HEIGHT: 6'-3/4" [1.8 m]

General Information:

Your set has been designed and engineered for children only and for residential use only.
A maximum of 150 lbs. per child is recommended for play activities designed for individual use.
A maximum of 120 lbs. per child is recommended for play activities designed for multiple child use.
A maximum of 9 children is recommended for this swing set.

Owner's Manual - Parts Identification

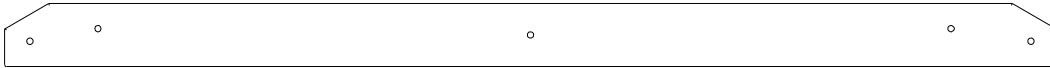
Wood Components (Not to Scale)



A1 SWING BEAM EXTENDED - W4L18222
(x1) 3 3/8"x5 1/4"x89 1/2" (86x134x2274)



A2 SB 9" BLOCK - W4L18223
(x1) 3 3/8"x5 1/4"x9" (86x134x228)



AD01 WALL RAIL - W4L18279
(x1) 1"x3 7/8"x65 3/4" (24x100x1670)



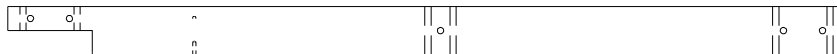
AD02 WALL RAIL - W4L18286
(x1) 1"x3 7/8"x65 3/4" (24x100x1670)



B02 POST - W4L18234
(x1) 3"x3"x52 3/8" (76x76x1330)



B03 POST - W4L18235
(x1) 3"x3"x52 3/8" (76x76x1330)



B04 POST - W4L18236
(x1) 3"x3"x52 3/8" (76x76x1330)



B05 POST - W4L18265
(x1) 3"x3"x60 3/8" (76x76x1532)



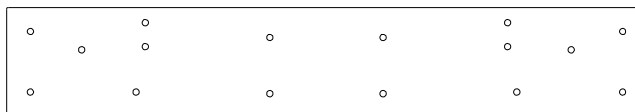
B06 POST - W4L18266
(x1) 3"x3"x60 3/8" (76x76x1532)



B07 POST - W4L18267
(x1) 3"x3"x60 3/8" (76x76x1532)



B08 POST - W4L18268
(x1) 3"x3"x60 3/8" (76x76x1532)



C01 TOP SWING BEAM RAIL - W4L18273
(x1) 1 3/8"x6 3/4"x40" (36x172x1017)

Owner's Manual - Parts Identification

Wood Components (Not to Scale)



D01 FRONT ARCHED RAIL - W4L18270
(x1) 1 3/8"x5 1/4"x59 1/2" (36x134x1510)



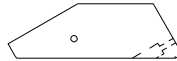
E01 ANGLE BRACE - W4L18261
(x8) 1 7/16"x3 3/8"x17 1/2" (36x86x444)



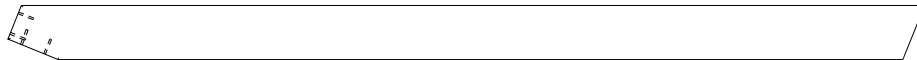
E02 WALL BOARD - W4L18287
(x2) 1 3/8"x3 3/8"x54 3/8" (36x86x1382)



E03 CROWS NEST FLOOR RAIL - W4L18291
(x2) 1 3/8"x3 3/8"x33 1/4" (36x86x846)



E04 CROWS NEST DECK BRACE - W4L18292
(x2) 1 7/16"x3 3/8"x10 7/8" (36x86x276)



E07 LEFT RAIL - W4L18224
(x1) 1 3/8"x3 3/8"x57 3/8" (36x86x1456)



E08 RIGHT RAIL - W4L18225
(x1) 1 3/8"x3 3/8"x57 3/8" (36x86x1456)



E09 UPRIGHT - W4L18318
(x2) 1 3/8"x2 3/4"x56 7/8" (36x70x1444)



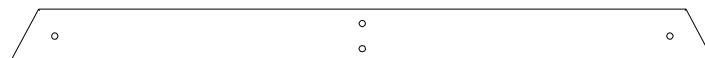
E10 RIGHT UPRIGHT - W4L18312
(x1) 1 3/8"x3 3/8"x57 1/8" (36x86x1450)



E11 MIDDLE UPRIGHT - W4L18308
(x1) 1 3/8"x3 3/8"x57 1/8" (36x86x1450)



E12 LEFT UPRIGHT - W4L18307
(x1) 1 3/8"x3 3/8"x57 1/8" (36x86x1450)



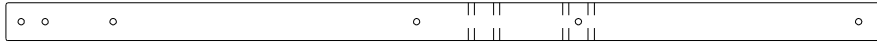
E79 END SUPPORT - W4L18220
(x1) 1 1/2"x3 1/2"x44" (36x86x1120)

Owner's Manual - Parts Identification

Wood Components (Not to Scale)



E80 ANGLE BRACE - W4L18219
(x2) 1 3/8"x3 3/8"x74 7/8" (36x86x1903)



F01 CROWS NEST WALL SUPPORT - W4L18297
(x2) 1 3/8"x2 3/8"x55" (36x60x1397)



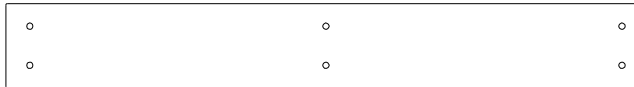
F02 CROWS NEST WALL SUPPORT - W4L18298
(x2) 1 3/8"x2 3/8"x55" (36x60x1397)



F07 SUPPORT RAIL - W4L18227
(x2) 1 3/8"x2 3/8"x56 7/8" (36x60x1446)



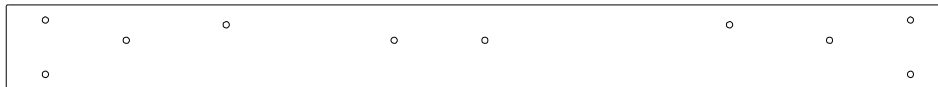
G01 GROUND BOARD - W4L18237
(x2) 1"x5 1/4"x59" (24x134x1498)



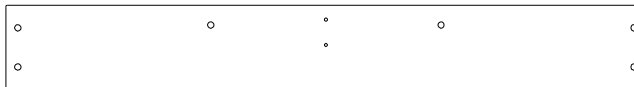
G02 GROUND BOARD - W4L18238
(x1) 1"x5 1/4"x40" (24x134x1017)



G04 FLOOR RAIL - W4L18255
(x1) 1"x5 1/4"x59" (24x134x1498)



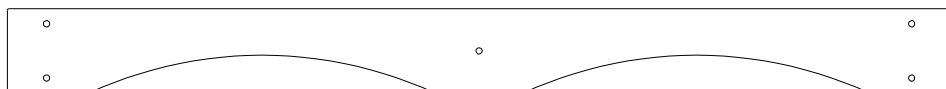
G05 FLOOR RAIL - W4L18256
(x1) 1"x5 1/4"x59" (24x134x1498)



G06 FLOOR RAIL - W4L18257
(x1) 1"x5 1/4"x40" (24x134x1017)



G07 FLOOR RAIL - W4L18258
(x1) 1"x5 1/4"x40" (24x134x1017)



G08 BACK ARCHED RAIL - W4L18271
(x1) 1"x5 1/4"x59 1/2" (24x134x1510)

Owner's Manual - Parts Identification

Wood Components (Not to Scale)



G09 WALL RAIL - W4L18272
(x2) 1"x5 1/4"x40" (24x134x1017)



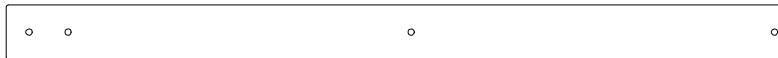
G50 GROUND BOARD - W4L18218
(x1) 1"x5 1/4"x75 1/4" (24x134x1912)



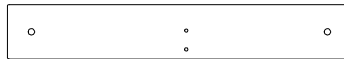
H01 COUNTERTOP RAIL - W4L18240
(x1) 1"x3 3/8"x59" (24x86x1498)



H02 WALL RAIL - W4L18245
(x1) 1"x3 3/8"x40" (24x86x1017)



H03 WALL UPRIGHT - W4L18246
(x1) 1"x3 3/8"x49" (24x86x1244)



H04 WALL RAIL - W4L18247
(x1) 1"x3 3/8"x21 3/4" (24x86x551)



H05 FLOOR JOIST - W4L18259
(x1) 1"x3 3/8"x57 1/8" (24x86x1450)



H06 FLOOR BLOCK - W4L18260
(x4) 1"x3"x3 3/8" (24x76x86)



H07 WALL RAIL - W4L18264
(x2) 1"x3 3/8"x40" (24x86x1017)



H08 WALL RAIL - W4L18269
(x1) 1"x3 3/8"x40" (24x86x1017)

Owner's Manual - Parts Identification

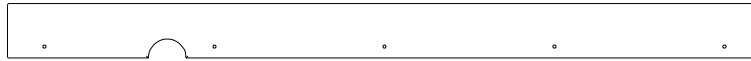
Wood Components (Not to Scale)



H09 WALL BOARD - W4L18274
(x1) 1"x3 3/8"x25 5/8" (24x86x650)



H10 WINDOW TRIM - W4L18275
(x1) 1"x3 3/8"x47 1/8" (24x86x1198)



H11 WINDOW TRIM - W4L18494
(x1) 1"x3 3/8"x47 1/8" (24x86x1198)



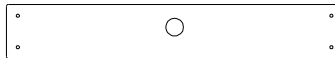
H13 WALL BOARD - W4L18282
(x1) 1"x3 3/8"x54 3/8" (24x86x1382)



H14 WALL BOARD - W4L18288
(x2) 1"x3 3/8"x54 3/8" (24x86x1382)



H15 ROPE WALL BOARD - W4L18231
(x7) 1"x3 3/8"x21" (24x86x534)



H16 ROPE WALL BOARD - W4L18232
(x1) 1"x3 3/8"x21" (24x86x534)



H17 ATTACHMENT BOARD - W4L18228
(x1) 1"x3 3/8"x23 7/8" (24x86x606)



H18 CROWS NEST FLOOR RAIL - W4L18293
(x1) 1"x3 3/8"x27" (24x86x686)



H19 CROWS NEST FLOOR SUPPORT - W4L18294
(x1) 1"x3 3/8"x24 1/8" (24x86x614)



H20 CROWS NEST WALL RAIL - W4L18299
(x2) 1"x3 3/8"x26" (24x86x660)

Owner's Manual - Parts Identification

Wood Components (Not to Scale)



H21 CROWS NEST WALL RAIL - W4L18300
(x2) 1"x3 3/8"x29 7/8" (24x86x758)



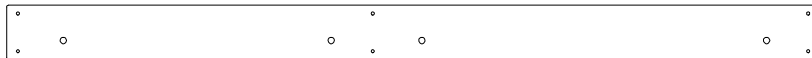
H22 CROWS NEST WALL RAIL - W4L18301
(x2) 1"x3 3/8"x34 3/4" (24x86x882)



H23 CROWS NEST WALL RAIL - W4L18303
(x2) 1"x3 3/8"x26" (24x86x660)



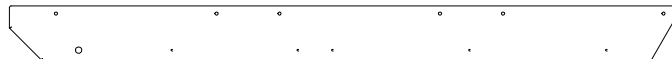
H24 CROWS NEST WALL RAIL - W4L18304
(x2) 1"x3 3/8"x11 1/8" (24x86x282)



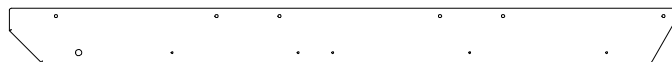
H25 ATTACHMENT BOARD - W4L18311
(x1) 1"x3 3/8"x51 1/8" (24x86x1297)



H26 LADDER RUNG - W4L18309
(x4) 1"x3 3/8"x21 3/4" (24x86x554)



H27 LEFT ROOF RAFTER - W4L18323
(x2) 1"x3 3/8"x42 1/8" (24x86x1069)



H28 RIGHT ROOF RAFTER - W4L18324
(x2) 1"x3 3/8"x42 1/8" (24x86x1069)



H29 LEFT ROOF RAFTER - W4L18325
(x4) 1"x3 3/8"x17 3/4" (24x86x451)



J01 COUNTERTOP RAIL - W4L18248
(x1) 1"x2 3/8"x57 1/8" (24x60x1450)



J02 COUNTERTOP RAIL - W4L18249
(x2) 1"x2 3/8"x10 3/4" (24x60x272)



J03 COUNTERTOP RAIL - W4L18250
(x2) 1"x2 3/8"x10 3/4" (24x60x272)

Owner's Manual - Parts Identification

Wood Components (Not to Scale)



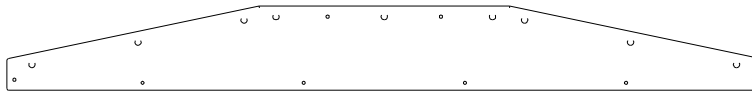
J04 BAY WINDOW SIDE - W4L18277
(x2) 1"x1 7/8"x18 1/4" (24x48x464)



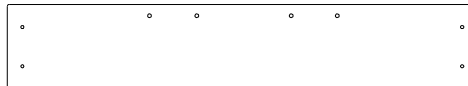
J05 WINDOW TRIM - W4L18278
(x2) 1"x2"x26 1/4" (24x50x668)



K01 COUNTERTOP BOARD - W4L18254
(x1) 5/8"x5 1/4"x57" (16x134x1449)



K02 BAY WINDOW HEADER - W4L18276
(x2) 5/8"x5 1/4"x47 1/4" (16x134x1199)



K03 WALL RAIL - W4L18283
(x4) 5/8"x5 1/4"x29 3/8" (16x134x746)



L01 WALL BOARD - W4L18284
(x4) 5/8"x4 3/8"x6 5/8" (16x112x167)



L02 WALL BOARD - W4L18285
(x4) 5/8"x4 3/8"x7 1/4" (16x112x184)



L03 CROWS NEST FLOOR BOARD - W4L18295
(x6) 5/8"x4 3/8"x27" (16x112x686)



L04 CROWS NEST FLOOR BOARD - W4L18296
(x1) 5/8"x4 3/8"x27" (16x112x686)



L05 CROWS NEST FLOOR BOARD - W4L18306
(x1) 5/8"x5 1/4"x27" (16x134x686)



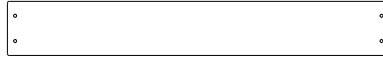
L06 WALL BOARD - W4L18239
(x2) 5/8"x4 3/8"x6 5/8" (16x112x167)



L07 WALL BOARD - W4L18281
(x2) 5/8"x4 3/8"x7 1/4" (16x112x184)

Owner's Manual - Parts Identification

Wood Components (Not to Scale)



M01 PICKET - W4L18251
(x12) 5/8"x3 3/8"x23 7/8" (16x86x606)



M02 COUNTERTOP BOARD - W4L18252
(x2) 5/8"x3 3/8"x23 7/8" (16x86x605)



M03 COUNTERTOP BOARD - W4L18253
(x1) 5/8"x3"x51 1/8" (16x76x1297)



M04 FLOOR BOARD - W4L18263
(x15) 5/8"x3 3/8"x41 7/8" (16x86x1065)



M05 WALL BOARD - W4L18289
(x6) 5/8"x3 3/8"x27" (16x86x686)



M06 CROWS NEST WALL RAIL - W4L18302
(x2) 5/8"x3 3/8"x29 7/8" (16x86x758)



M07 WALL RAIL - W4L18280
(x1) 5/8"x3 3/8"x40" (16x86x1017)



M11 TOP BOARD - W4L18226
(x1) 5/8"x3 1/4"x23 7/8" (16x82x606)



M12 REAR SUPPORT - W4L18310
(x1) 5/8"x3 3/8"x23 7/8" (16x86x606)



M13 ROCK BOARD - W4L18314
(x9) 5/8"x3 3/8"x25 3/4" (16x86x655)



M14 ROCK WALL BOARD - W4L18230
(x8) 5/8"x3 3/8"x21" (16x86x534)



M16 ROCK BOARD - W4L18316
(x3) 5/8"x3 3/8"x25 3/4" (16x86x655)



M15 ROCK BOARD - W4L18315
(x4) 5/8"x3 3/8"x25 3/4" (16x86x655)



M17 TOP BOARD - W4L18322
(x1) 5/8"x3 3/8"x28 5/8" (16x86x728)

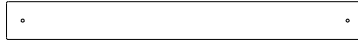
Owner's Manual - Parts Identification

Wood Components (Not to Scale)



N01 CLEAT - W4L18229

(x1) 5/8"x2 3/8"x50 3/4" (16x60x1289)



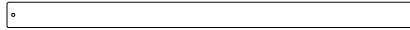
N02 CROWS NEST WALL BOARD - W4L18319

(x2) 5/8"x2 3/8"x22 3/8" (16x60x568)



N03 FILLER BOARD - W4L18233

(x1) 5/8"x1 3/4"x21" (16x45x534)



N04 ROCK WALL BOARD - W4L18313

(x1) 5/8"x1 5/8"x25 3/4" (16x40x655)



N05 ROCKWALL CLEAT - W4L18317

(x1) 5/8"x2 3/8"x53 7/8" (16x60x1370)



O01 CROWS NEST WALL BOARD - W4L18305

(x16) 5/8"x1 3/8"x32 1/4" (16x34x819)



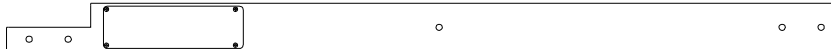
SP71 SWING BEAM SUPPORT - W4L18221

(x1) 3 3/8"x3 3/8"x49 1/2" (86x86x1256)



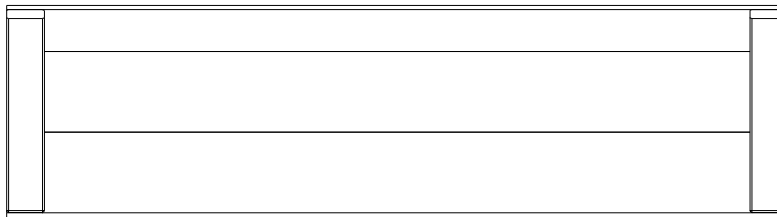
Y01 FLOOR BOARD - W4L18262

(x2) 5/8"x3 7/8"x34" (16x100x864)



B01 POST ASSEMBLY - W2A03946

(x1) 3"x3"x63 7/16" (76x76x1330)



RP1 PEAK ROOF PANEL - W2A03948

(x2) 1 5/8"x13 3/8"x48 7/8" (42x341x1241)

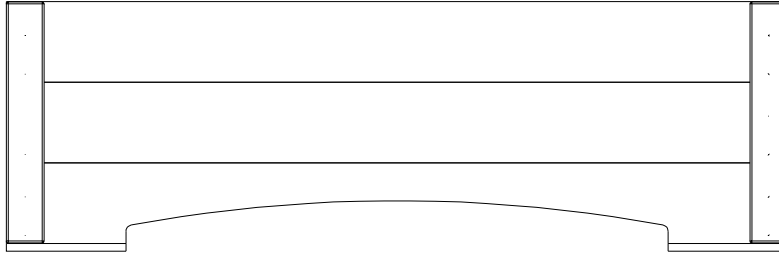


RP2 ROOF PANEL - W2A03947

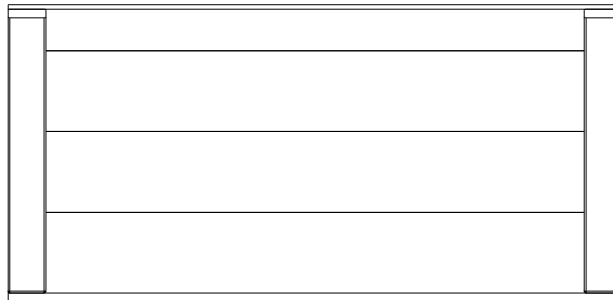
(x3) 1 5/8"x15 5/8"x59 3/8" (42x396x1241)

Owner's Manual - Parts Identification

Wood Components (Not to Scale)



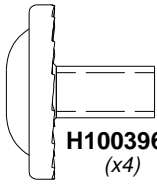
RP3 ROOF PANEL - W2A03949
(x1) 1 5/8"x15 5/8"x59 3/8" (42x396x1241)



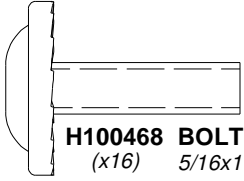
RP4 CROWS NEST ROOF PANEL - W2A03951
(x2) 1 5/8"x18 1/2"x38 3/8" (42x469x975)

Owner's Manual - Parts Identification

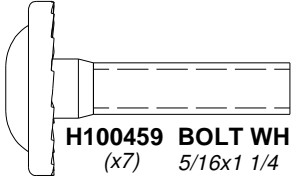
Hardware Components



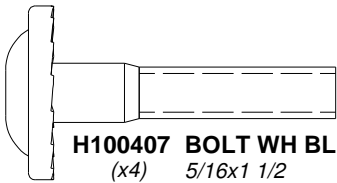
H100396 BOLT WH BLK
(x4) 5/16x1/2



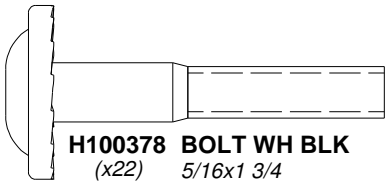
H100468 BOLT WH BLK
(x16) 5/16x1



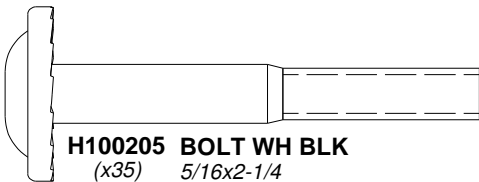
H100459 BOLT WH BLK
(x7) 5/16x1 1/4



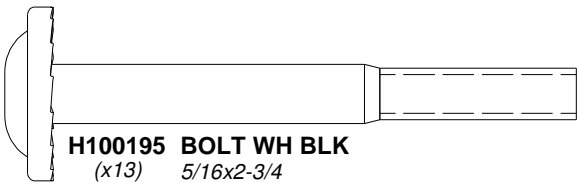
H100407 BOLT WH BLK
(x4) 5/16x1 1/2



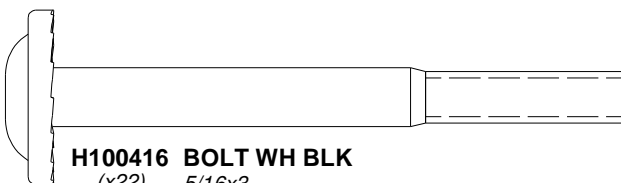
H100378 BOLT WH BLK
(x22) 5/16x1 3/4



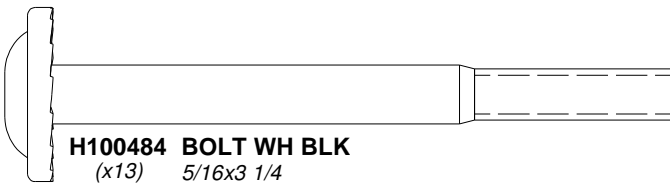
H100205 BOLT WH BLK
(x35) 5/16x2-1/4



H100195 BOLT WH BLK
(x13) 5/16x2-3/4



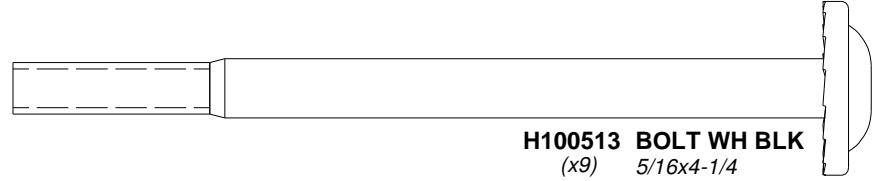
H100416 BOLT WH BLK
(x22) 5/16x3



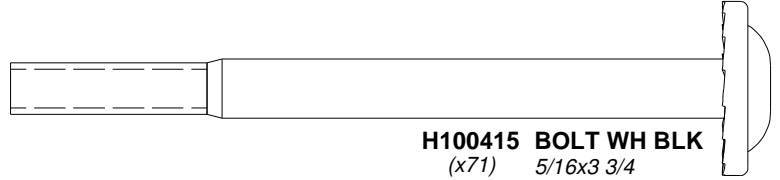
H100484 BOLT WH BLK
(x13) 5/16x3 1/4



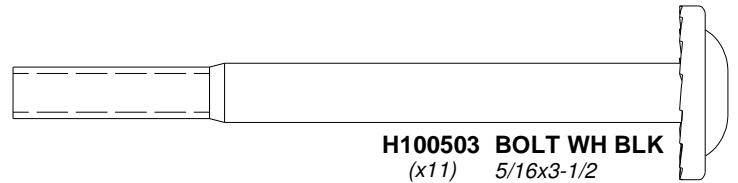
H100480 BOLT WH BLK
(x2) 5/16x4 3/4



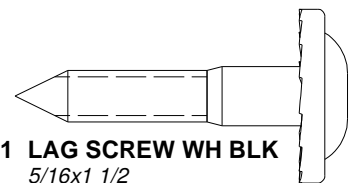
H100513 BOLT WH BLK
(x9) 5/16x4-1/4



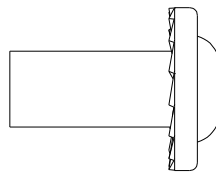
H100415 BOLT WH BLK
(x71) 5/16x3 3/4



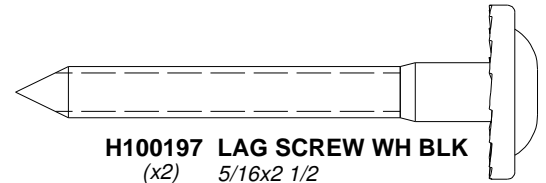
H100503 BOLT WH BLK
(x11) 5/16x3-1/2



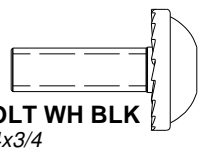
H100471 LAG SCREW WH BLK
(x11) 5/16x1 1/2



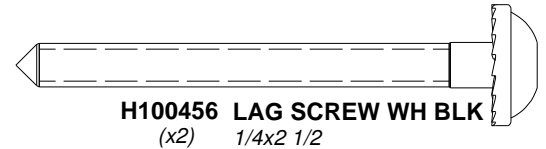
H100192 NUT BARREL WH BLK
(x25) 5/16x7/8



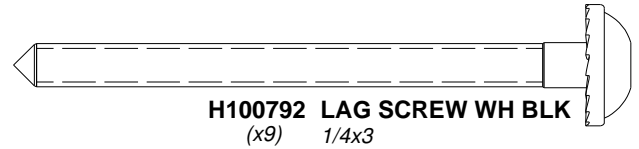
H100197 LAG SCREW WH BLK
(x2) 5/16x2 1/2



H101111 BOLT WH BLK
(x22) 1/4x3/4



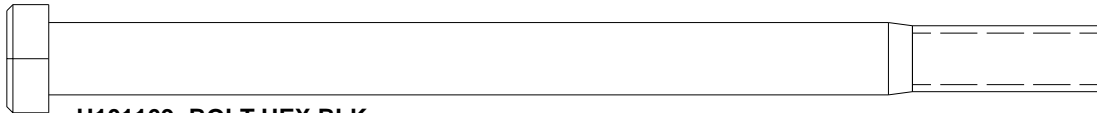
H100456 LAG SCREW WH BLK
(x2) 1/4x2 1/2



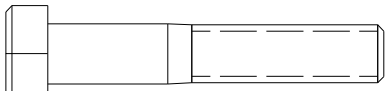
H100792 LAG SCREW WH BLK
(x9) 1/4x3

Owner's Manual - Parts Identification

Hardware Components



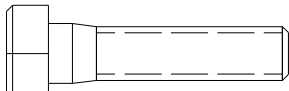
H101169 BOLT HEX BLK
(x13) 3/8x5-1/2



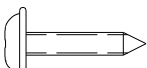
H100657 BOLT HEX BLK
(x4) 5/16x1 3/4



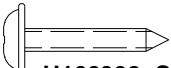
H100498 BOLT HEX - BLK
(x4) 5/16x1 1/2



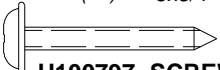
H100481 BOLT HEX BLK
(x4) 5/16x1 1/4



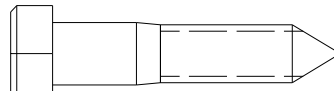
H100202 SCREW PWH BLK
(x13) 8x5/8



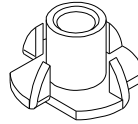
H100392 SCREW PWH BLK
(x9) 8x3/4



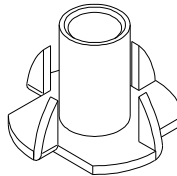
H100797 SCREW PWH BLK
(x67) 8x1



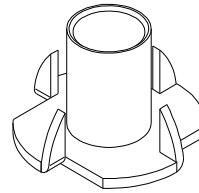
H100659 LAG SCREW BLK
(x9) 5/16x1 1/2



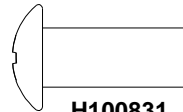
H100398 T-NUT BLK
(x22) 1/4



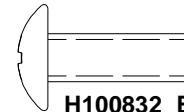
H100379 T-NUT BLK
(x220) 5/16



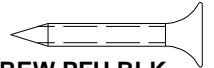
H101168 T-NUT BLK
(x13) 3/8



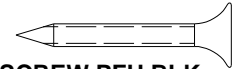
H100831 NUT BARREL PTH BLK
(x4) 1/4x3/4



H100832 BOLT PTH BLK (with LOCTITE)
(x4) 1/4x3/4



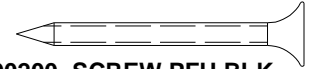
H100385 SCREW PFH BLK
(x7) 8x1



H100380 SCREW PFH BLK
(x28) 8x1 1/8



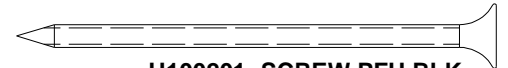
H100387 SCREW PFH BLK
(x170) 8x1 1/4



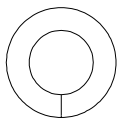
H100200 SCREW PFH BLK
(x281) 8x1 1/2



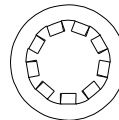
H100391 SCREW PFH BLK
(x155) 8x2



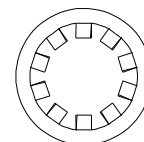
H100201 SCREW PFH BLK
(x49) 8x2-1/2



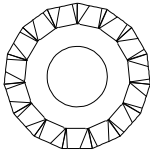
H100477 WASHER SPLIT BLK
(x22) 5/16



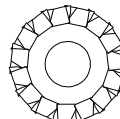
H100473 WASHER LOCK INT BLK
(x22) 8x15



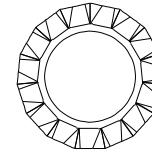
H101166 WASHER LOCK INT BLK
(x13) 10x18



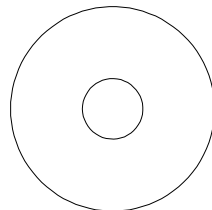
H100198 WASHER LOCK EXT BLK
(x179) 8x19



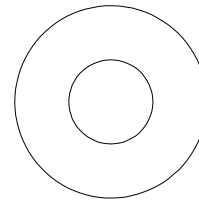
H100405 WASHER LOCK EXT BLK
(x11) 6x15



H100199 WASHER LOCK EXT BLK
(x11) 12x19



H100478 WASHER FLAT BLK
(x22) 8x27



H101167 WASHER FLAT BLK
(x13) 11x25

Owner's Manual - Parts Identification

Accessory Components (Not to Scale)



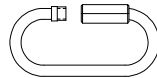
A4M01415
(x1) **26" WEB SWING**



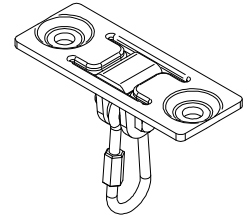
A6P00708
(x4) **ROPE-CHAIN BLACK 51.25"**



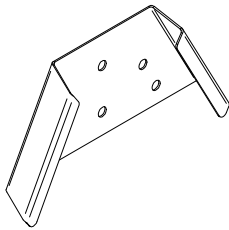
A6P00595
(x2) **SWING SEAT GREY 22"**



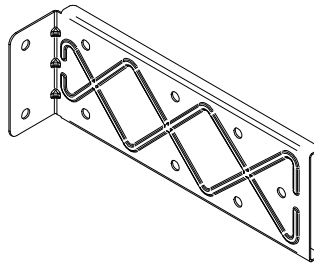
A4M00633
(x4) **QUICK LINK BLK**



A4M02171
(x6) **SWING HANGER**



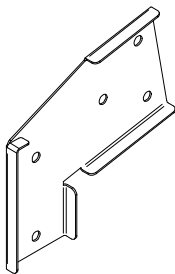
A4M01782
(x1) **A-FRAME BRACKET**



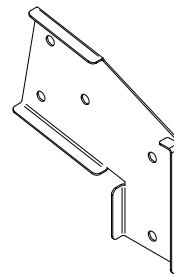
A4M01679
(x2) **EXTENDED SWING BEAM BRACKET**



A100164
(x1) **BYD ID TAG (LARGE) AGES 3-10**



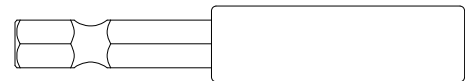
A4M00617
(x1) **SWING BEAM EXTENSION BRACKET-LEFT**



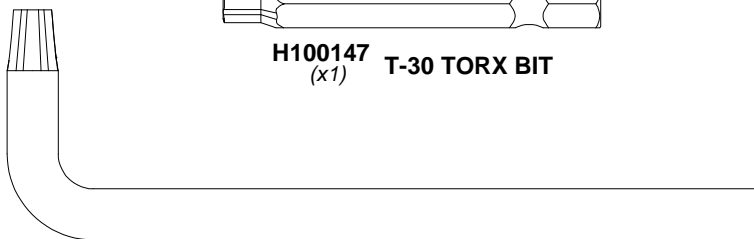
A4M00618
(x1) **SWING BEAM EXTENSION BRACKET-RIGHT**



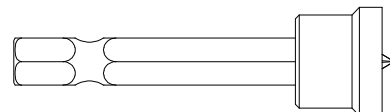
H100147
(x1) **T-30 TORX BIT**



H101100
(x1) **MAGNETIC DRIVER**



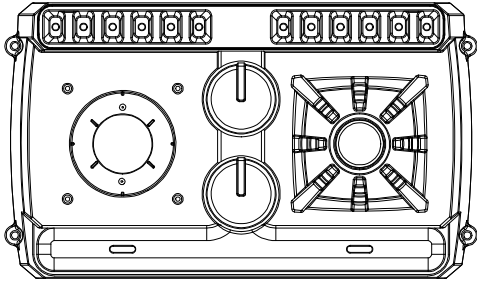
H100114
(x1) **T-30 TORX WRENCH**



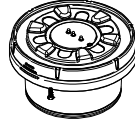
H100764
(x1) **SCREW SETTER**

Owner's Manual - Parts Identification

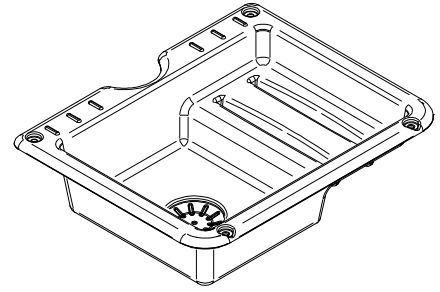
Accessory Components (Not to Scale)



A6P00335
(x1) **STOVE BASE**



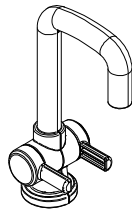
A6P00330
(x1) **INDUCTIVE BURNER KIT**



A6P00332
(x1) **PREMIUM SINK**



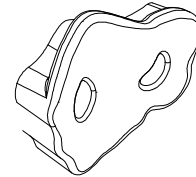
A6P00410
(x1) **PICKET PAL**



A6P00333
(x1) **FAUCET**



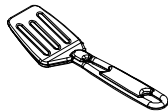
A6P00592
(x5) **GREY HC ROCK #1**



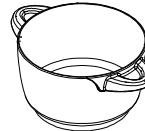
A6P00593
(x5) **GREY HC ROCK #2**



A6P00340
(x1) **LADLE**



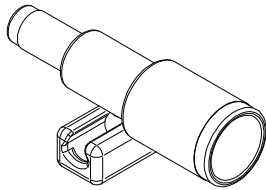
A6P00339
(x1) **SPATULA**



A6P00336
(x1) **BOIL POT**



A6P00338
(x1) **FRY PAN**



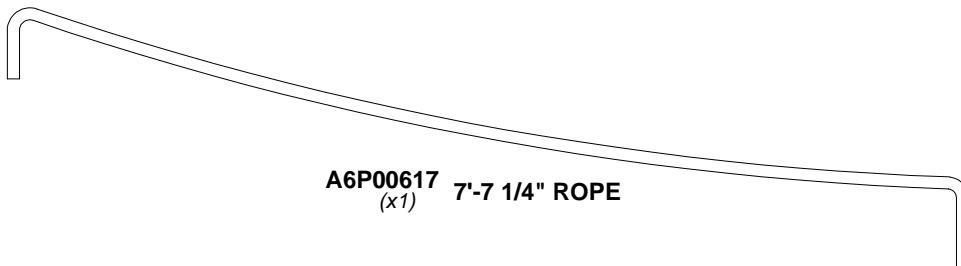
A6P00596
(x1) **TELESCOPE GREY**



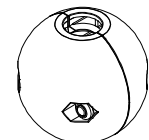
A6P00331
(x1) **BLENDER**



A6P00337
(x2) **POT/PAN LID**



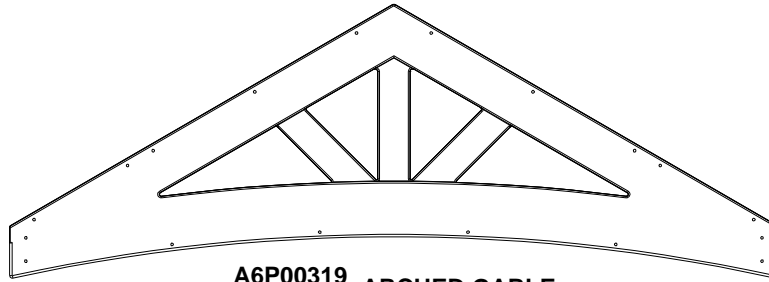
A6P00617
(x1) **7'-7 1/4" ROPE**



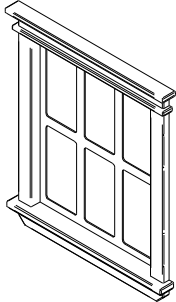
A6P00508
(x6) **ROPE CLAMP KIT**

Owner's Manual - Parts Identification

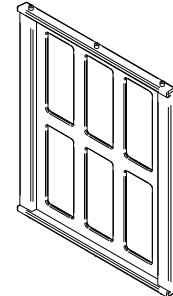
Accessory Components (Not to Scale)



A6P00319
(x2) **ARCHED GABLE**



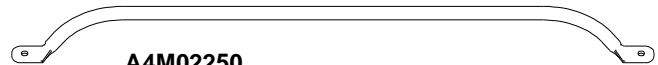
A100321
(x2) **PLASTIC WINDOW 44x412x485**



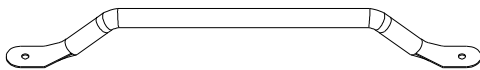
A100373
(x3) **BAY WINDOW PANEL**



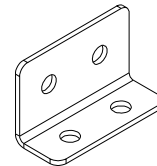
A4M02252
(x8) **AUGER GROUND STAKE**



A4M02250
(x2) **HAND GRIP GREY 816 C/C**



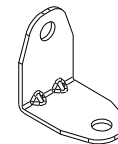
A4M02251
(x2) **LADDER RUNG 578 GREY**



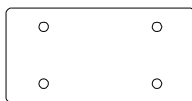
A4M00855
(x4) **L BRACKET 51x32x82x3.175**



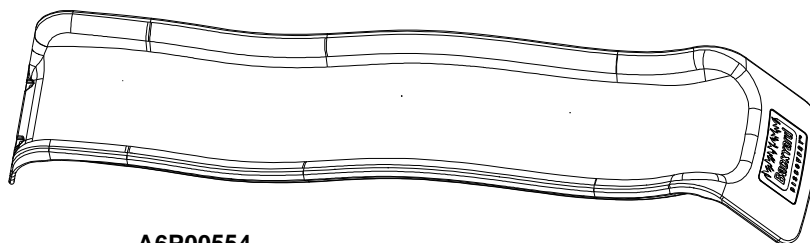
A4M02249
(x5) **HAND GRIP METAL GREY 381 C/C**



A4M01047
(x6) **L BRACKET 2.5x38x55x55**



A4M02100
(x2) **GABLE CLEAT**



A6P00554
(x1) **8' BLOW MOLDED SLIDE - GREY**

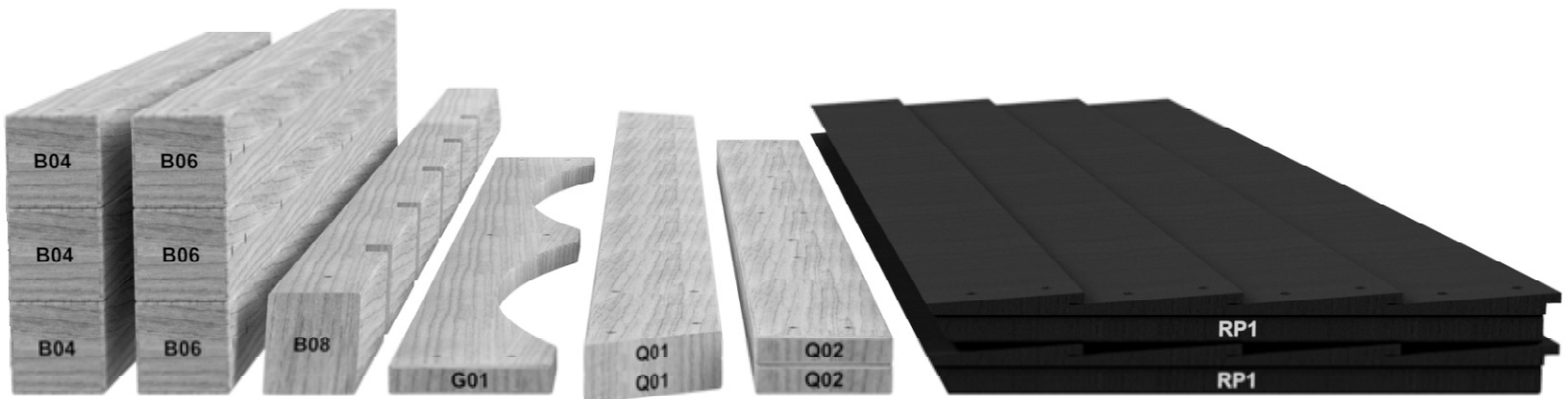
PRE-ASSEMBLY STEP 1 - SORTING PARTS

It is critical for ease of assembly that you take the time to sort and organize the wood and hardware.

WOOD PARTS:

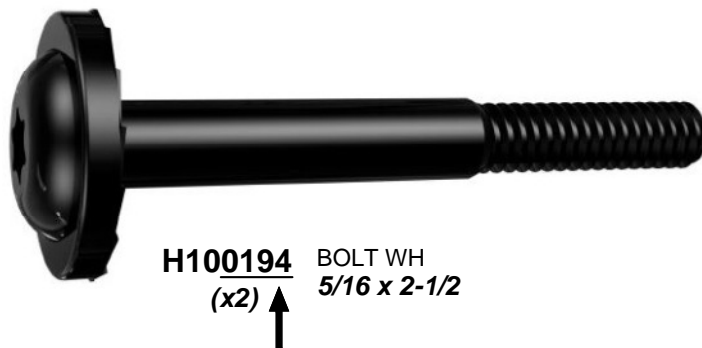
- Organize wood parts by the three-digit, alpha-numeric number stamped on each board (ex. P01).
- If there are multiple boards with the same stamped number, stack those pieces together.
- Stamps can be found on the flat surface of the boards or on the end of the boards.
- Allow yourself plenty of room - the wood pieces can take up a significant amount of space.

NOTE: CARTONS ARE NOT ORGANIZED BY BOARD NUMBER.



HARDWARE PARTS:

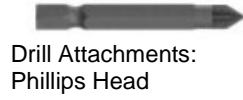
- We recommend that you have a separate table to organize the hardware.
- Hardware bags are printed with a seven-digit, alpha-numeric part number.
- You can organize your hardware by part number or group by hardware type (i.e. bolts, nuts, etc.).
- During assembly you only need to reference the last four digits of the number.



PRE-ASSEMBLY STEP 2 - TOOLS REQUIRED



Cordless Drill or
Electric Drill



Drill Attachments:
Phillips Head



1/8", 3/16", 3/8" & 7/16" Drill Bits



Phillips Screw Driver



Open End Wrenches 1/2" & 9/16"



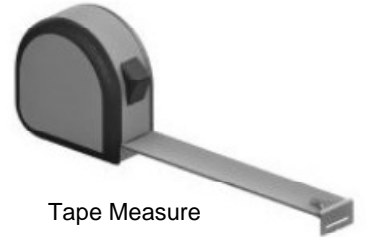
3/8" Drive Ratchet, 1/2" &
9/16" STD Sockets 1/2" & 9/16" Deep Sockets



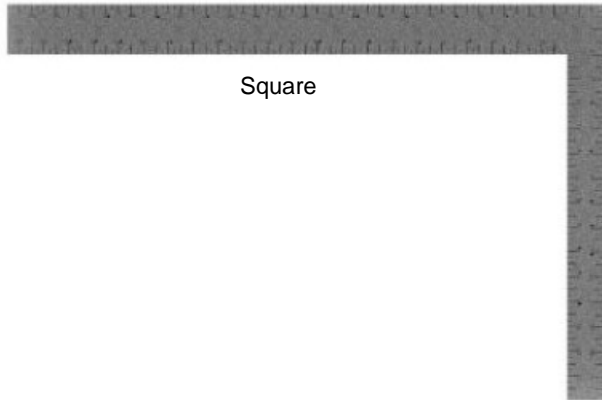
Claw Hammer



Rubber Mallet - Optional



Tape Measure



Square





Level 24"

PRE-ASSEMBLY STEP 3 - CHOOSE YOUR ASSEMBLY METHOD

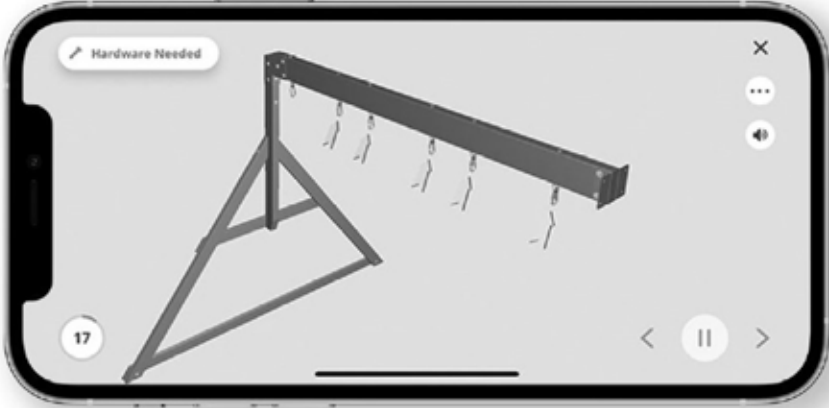


There are several types of assembly instructions available to you.

1. Printed Assembly Manual included with your set
2. BILT APP - 3D interactive instructions
3. Combination of the Printed Manual and BILT APP (Note: Step numbers can differ between the two methods)



Scan for easy 3D instructions

Download the BILT app
before you begin



The image shows a smartphone screen displaying the BILT app interface. At the top left, there is a button labeled "Hardware Needed". The main area of the screen shows a 3D assembly diagram of a structure with a horizontal beam and several vertical supports. At the bottom left, there is a circular icon with the number "17". At the bottom right, there are navigation icons: a back arrow, a pause button, and a forward arrow. The smartphone is shown with a slight shadow, giving it a 3D appearance.

ELECTRONICS SAFETY WARNING

Note:

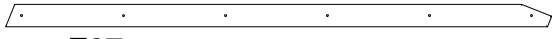
This equipment has been tested and found to comply with the limits for a Class B digital device, pursuant to part 15 of the FCC Rules. These limits are designed to provide reasonable protection against harmful interference in a residential installation. This equipment generates, uses and can radiate radio frequency energy and, if not installed and used in accordance with the instructions, may cause harmful interference to radio communications. However, there is no guarantee that interference will not occur in a particular installation. If this equipment does cause harmful interference to radio or television reception, which can be determined by turning the equipment off and on, the user is encouraged to try to correct the interference by one or more of the following measures:

- Reorient or relocate the receiving antenna.
- Increase the separation between the equipment and receiver.
- Connect the equipment into an outlet on a circuit different from that to which the receiver is connected.
- Consult the dealer or an experienced radio/TV technician for help

Caution: Changes or modifications not expressly approved by the party responsible for compliance could void the user's authority to operate the equipment.

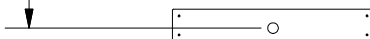
STEP 1 - ROPE WALL

QTY	PART NUMBER	DESCRIPTION
66	H100391	SCREW PFH 8x2 BLK



F07 SUPPORT RAIL - W4L18227
 (x2) 1 3/8"x2 3/8"x56 7/8" (36x60x1446)

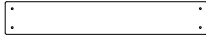
1 3/8 in
 [36 mm]



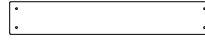
H16 ROPE WALL BOARD - W4L18232
 (x1) 1"x3 3/8"x21" (24x86x534)



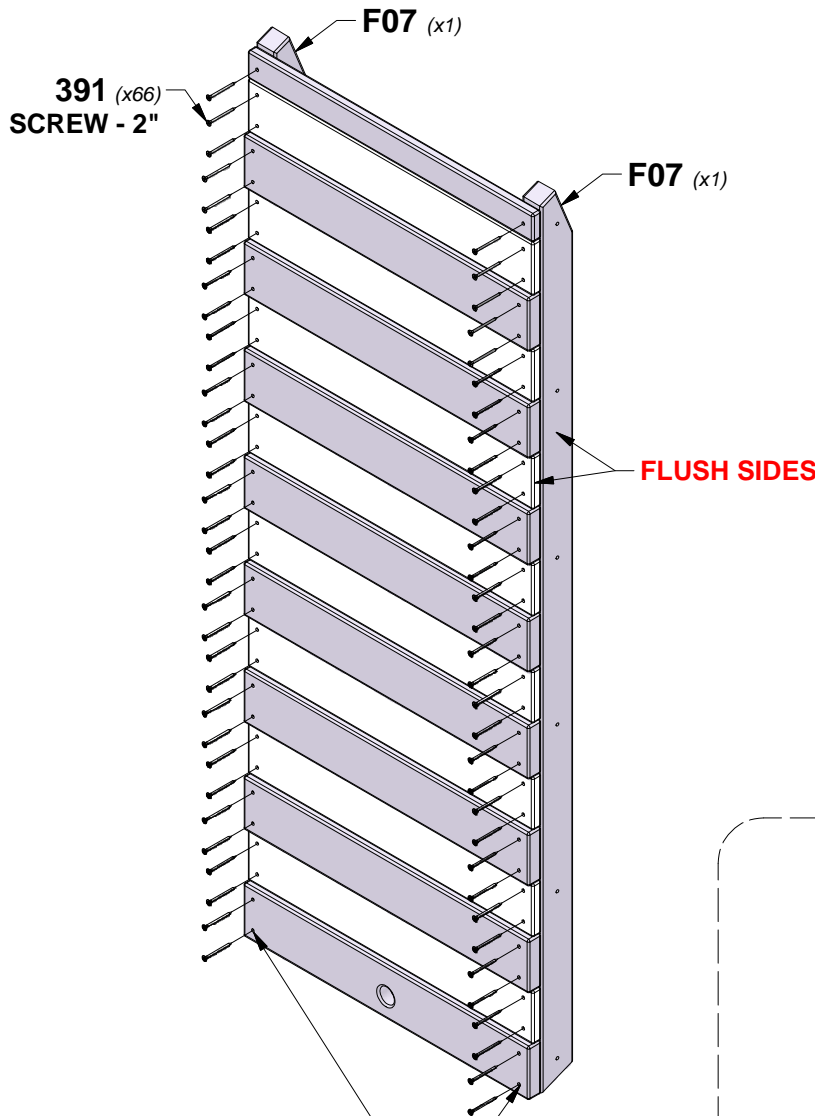
N03 FILLER BOARD - W4L18233
 (x1) 5/8"x1 3/4"x21" (16x45x534)



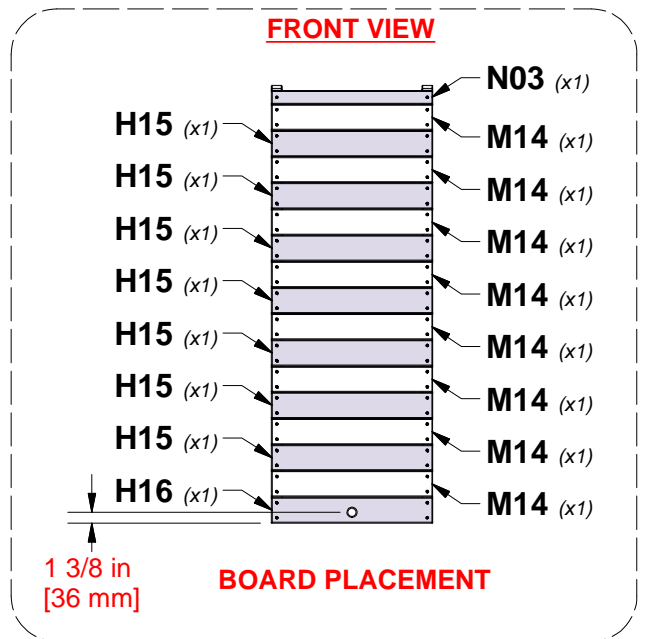
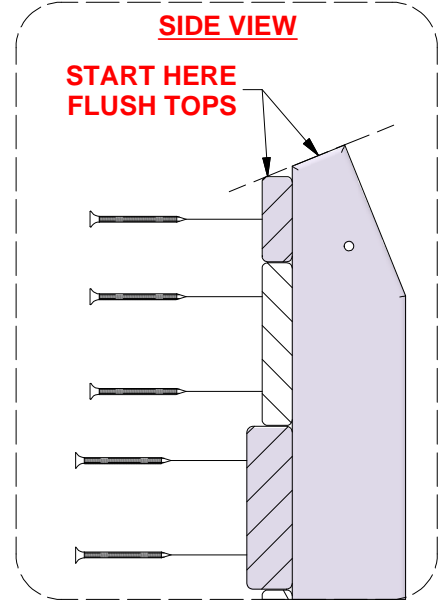
M14 ROCK WALL BOARD - W4L18230
 (x8) 5/8"x3 3/8"x21" (16x86x534)



H15 ROPE WALL BOARD - W4L18231
 (x7) 1"x3 3/8"x21" (24x86x534)



DRILL (2) 1/8 in [3 mm] PILOT HOLES FOR HARDWARE.

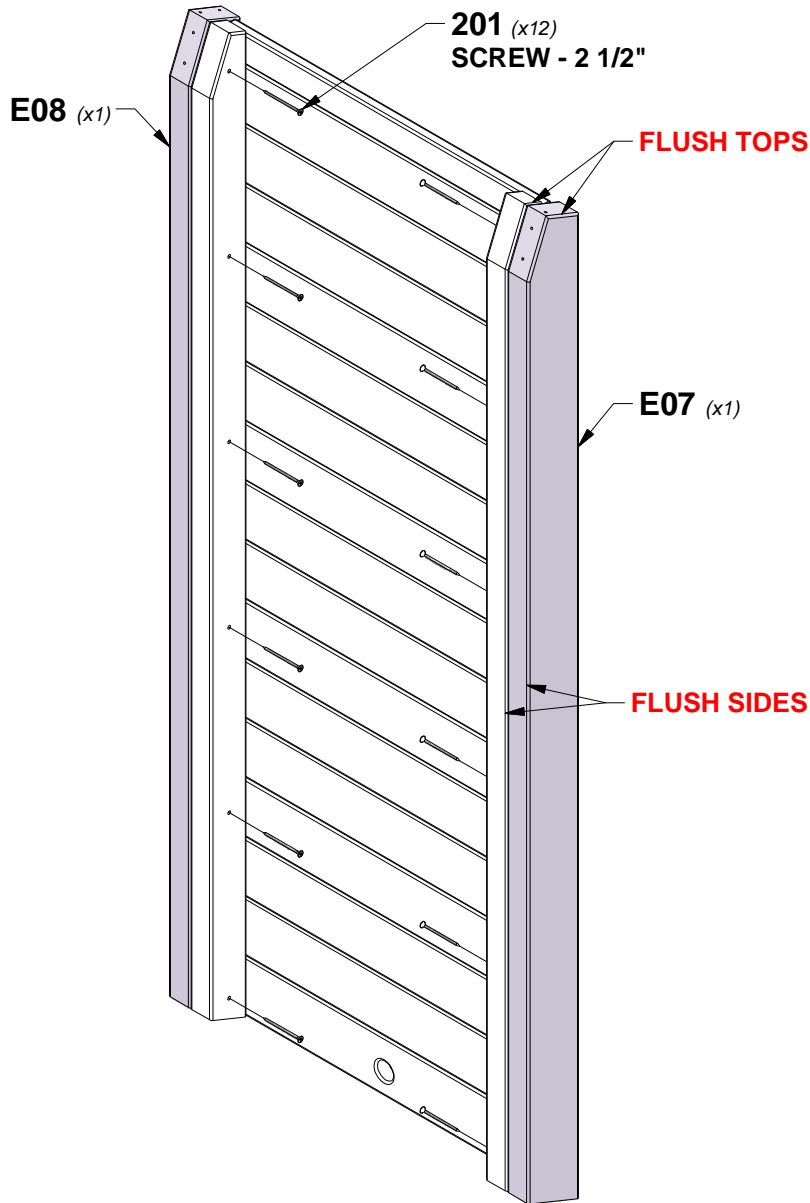
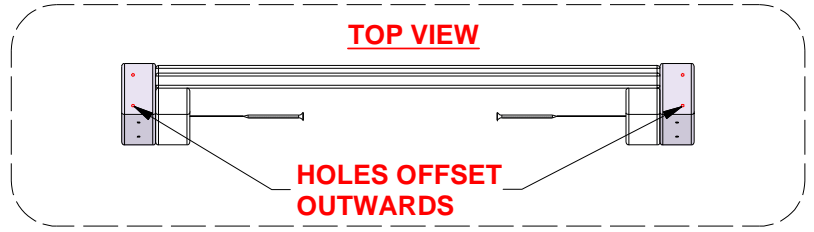


STEP 2 - ROPE WALL

QTY	PART NUMBER	DESCRIPTION
12	H100201	SCREW PFH 8x2 1/2 BLK

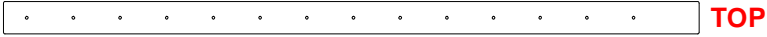
E07 LEFT RAIL - W4L18224
(x1) 1 3/8"x3 3/8"x57 3/8" (36x86x1456)

E08 RIGHT RAIL - W4L18225
(x1) 1 3/8"x3 3/8"x57 3/8" (36x86x1456)

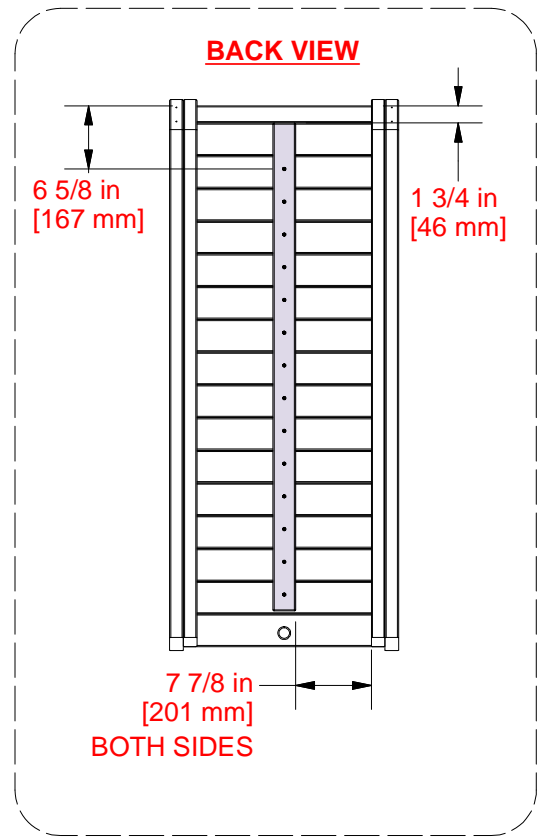
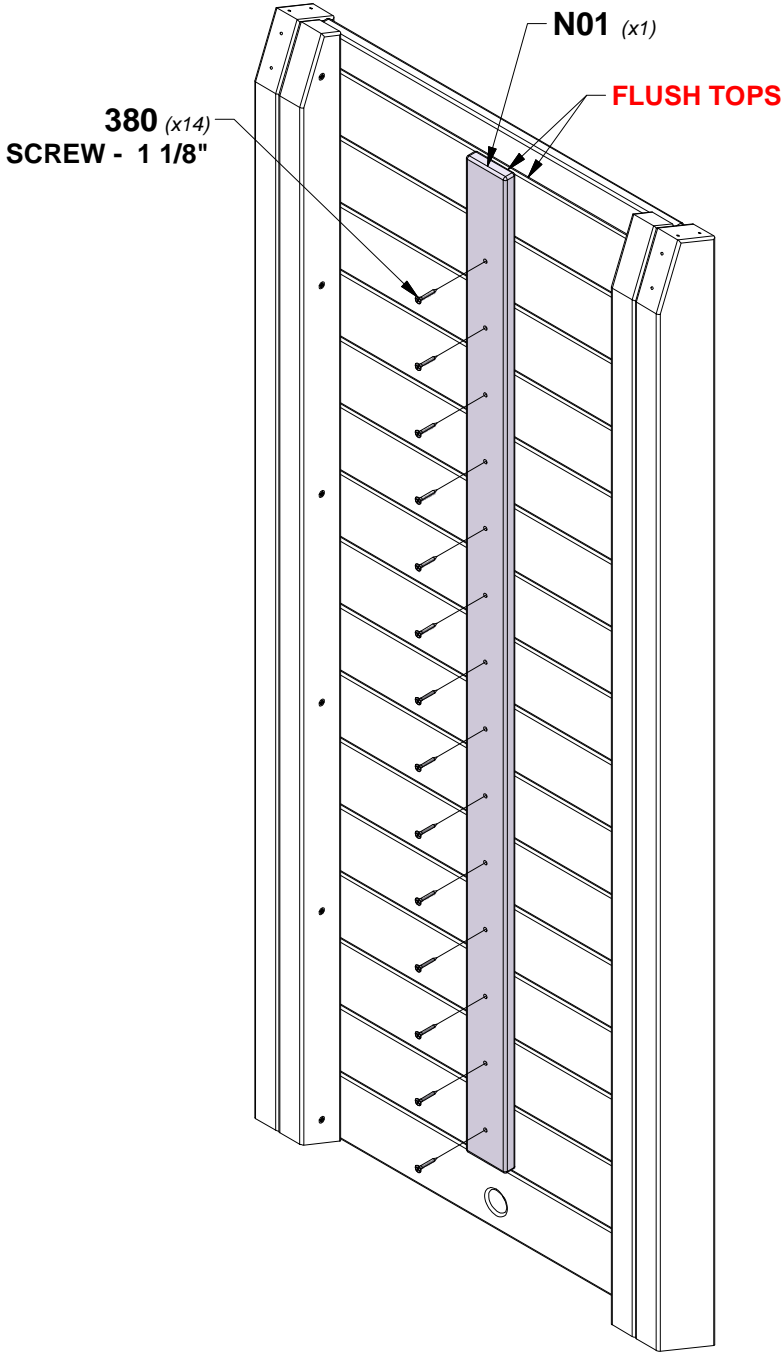


STEP 3 - ROPE WALL

QTY	PART NUMBER	DESCRIPTION
14	H100380	SCREW PFH 8x1-1/8" BLK



N01 CLEAT - W4L18229
 (x1) 5/8"x2 3/8"x50 3/4" (16x60x1289)

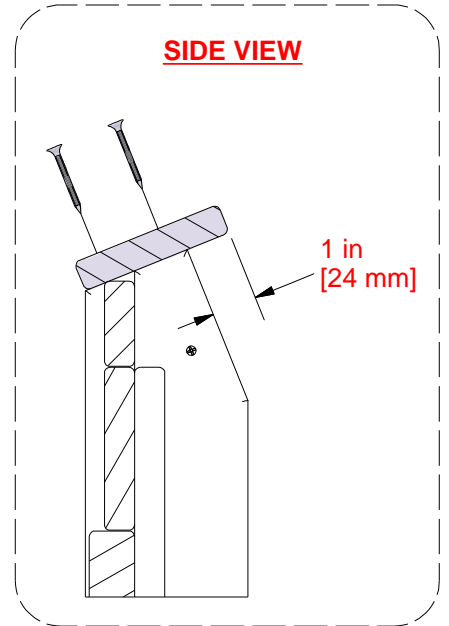
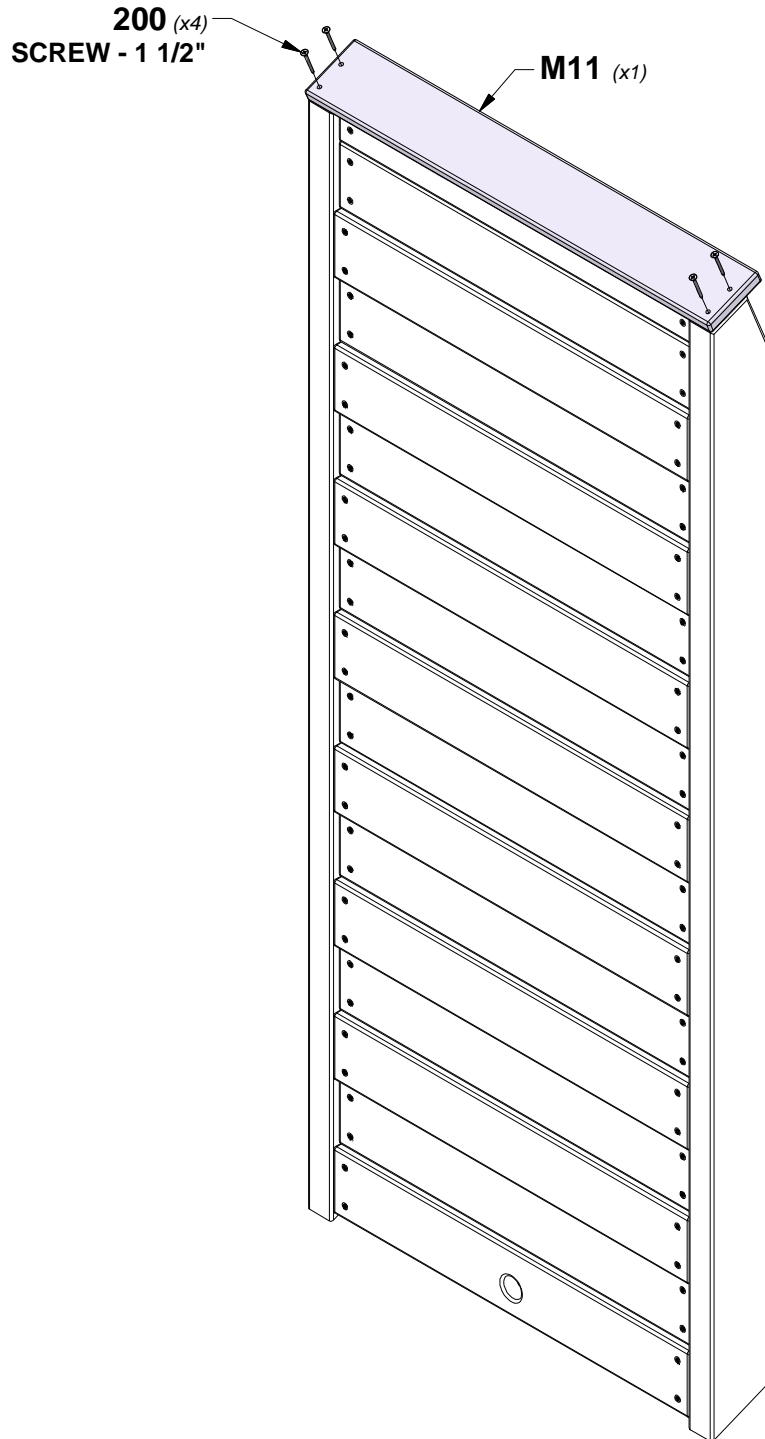


STEP 4 - ROPE WALL

QTY	PART NUMBER	DESCRIPTION
4	H100200	SCREW PFH 8x1-1/2" BLK



M11 TOP BOARD - W4L18226
(x1) 5/8"x3 1/4"x23 7/8" (16x82x606)



STEP 5 - ROPE WALL

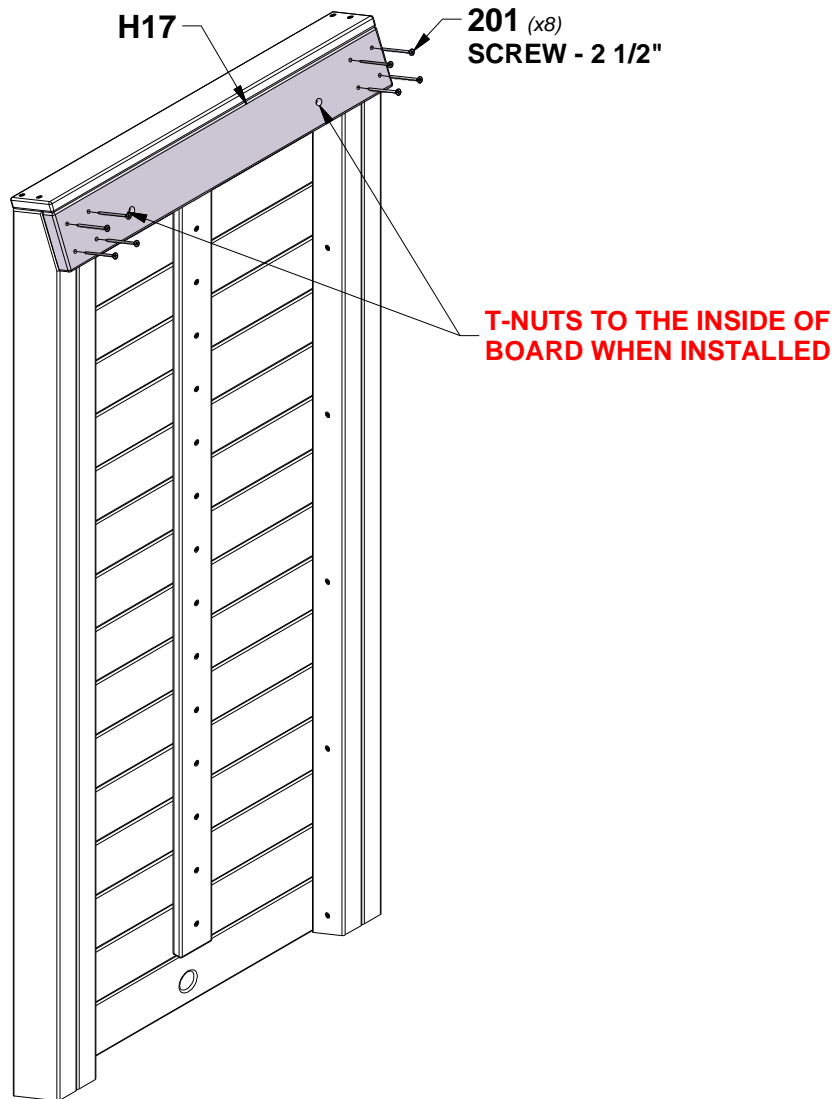
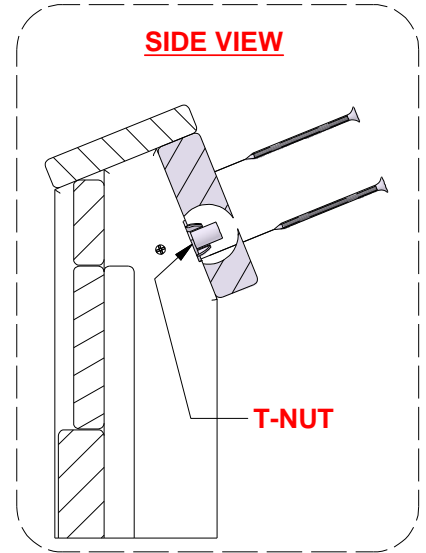
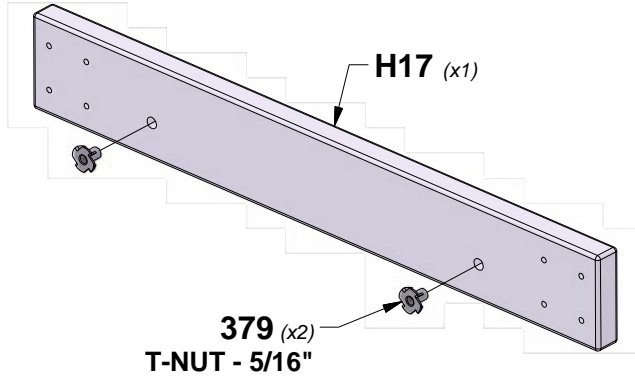
QTY	PART NUMBER	DESCRIPTION
8	H100201	SCREW PFH 8x2 1/2" BLK
2	H100379	T-NUT 5/16 BLK



H17 ATTACHMENT BOARD - W4L18228
 (x1) 1"x3 3/8"x23 7/8" (24x86x606)

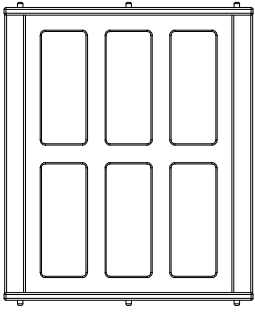
HOLES DOWNWARD

TIP:
INSTALL T-NUTS IN WOOD FIRST



STEP 1 - BAY WINDOW ASSEMBLY

QTY	PART NUMBER	DESCRIPTION
4	H100200	SCREW PFH 8x1-1/2" BLK
4	H100385	SCREW PFH 8x1" BLK



A100373
(3) **BAY WINDOW PANEL**

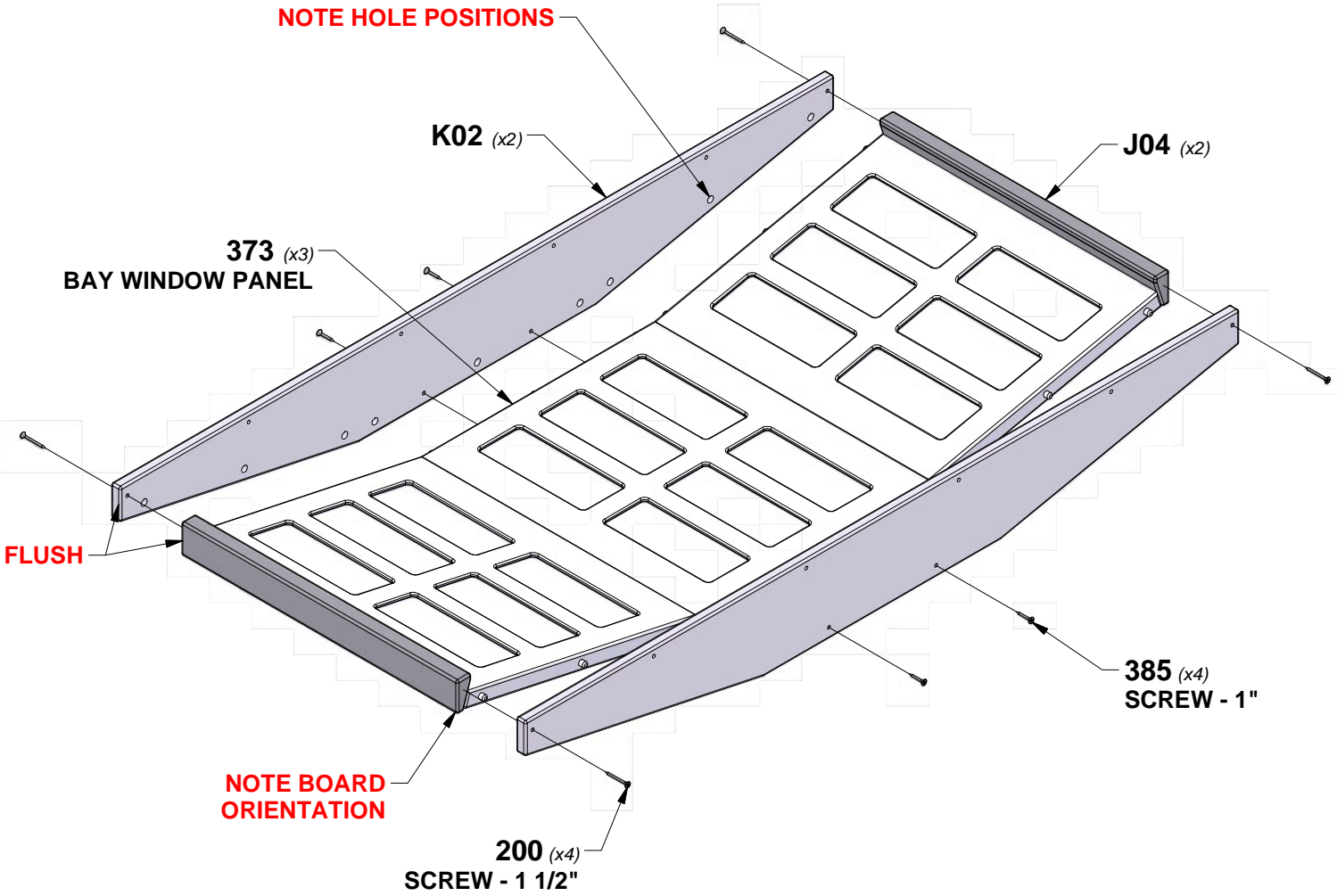


J04 BAY WINDOW SIDE - W4L18277
(x2) 1"x1 7/8"x18 1/4" (24x48x464)



K02 BAY WINDOW HEADER - W4L18276
(x2) 5/8"x5 1/4"x47 1/4" (16x134x1199)

NOTE HOLE POSITIONS



STEP 1 - CROWS NEST DECK ASSEMBLY

QTY	PART NUMBER	DESCRIPTION
4	H100201	SCREW PFH 8x2-1/2" BLK
4	H100379	T-NUT 5/16" BLK

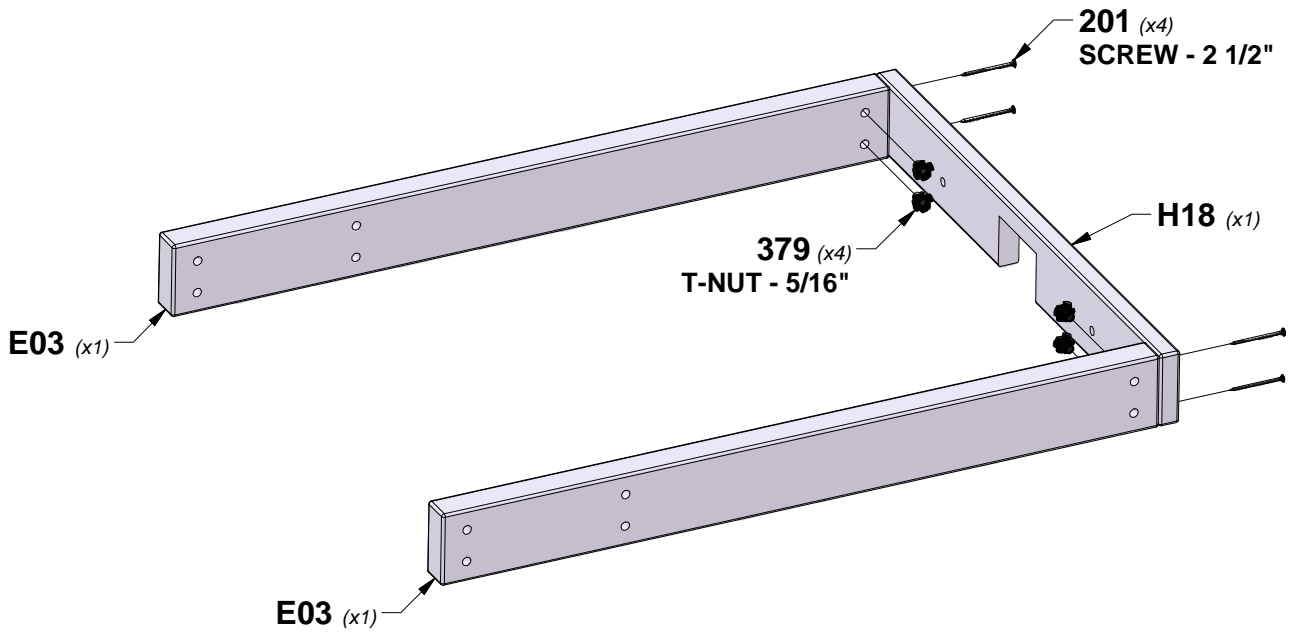


E03 CROWS NEST FLOOR RAIL - W4L18291
 (x2) 1 3/8"x3 3/8"x33 1/4" (36x86x846)



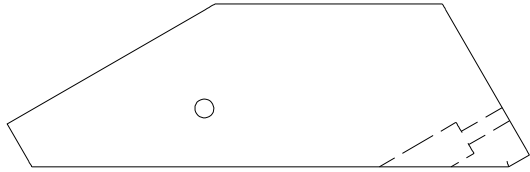
H18 CROWS NEST FLOOR RAIL - W4L18293
 (x1) 1"x3 3/8"x27" (24x86x686)

TIP:
INSTALL T-NUTS IN WOOD FIRST



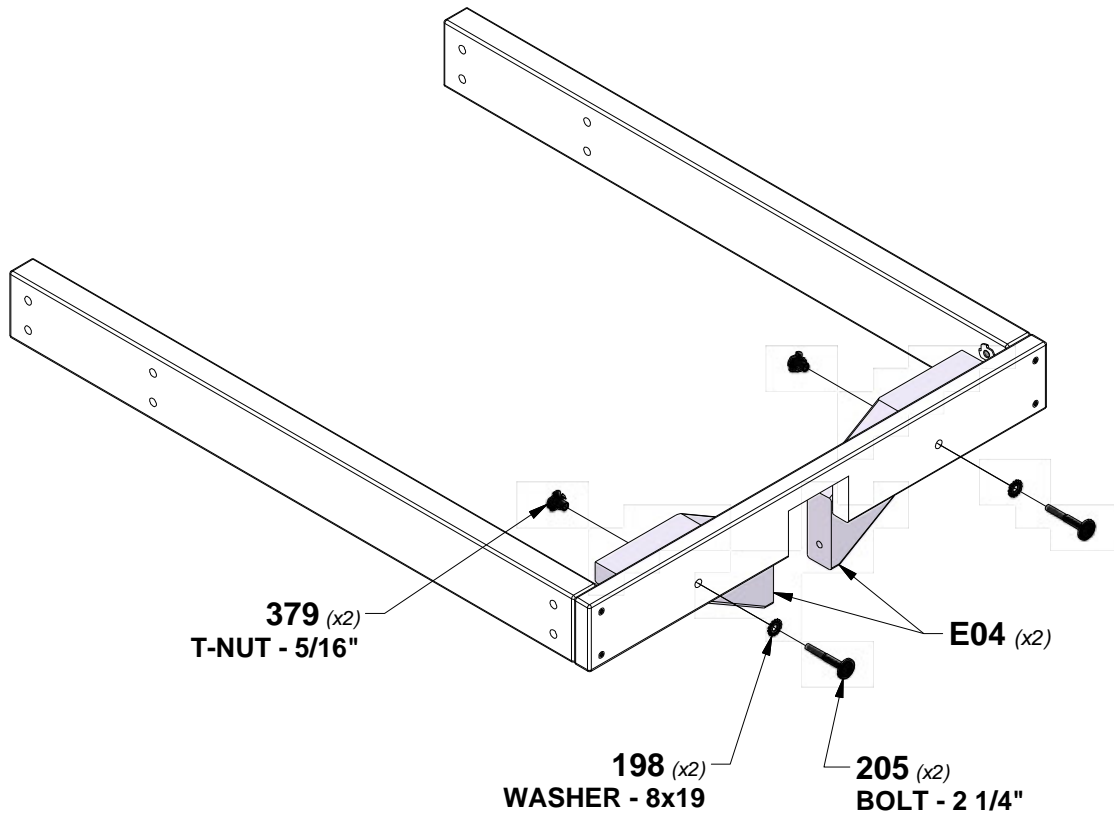
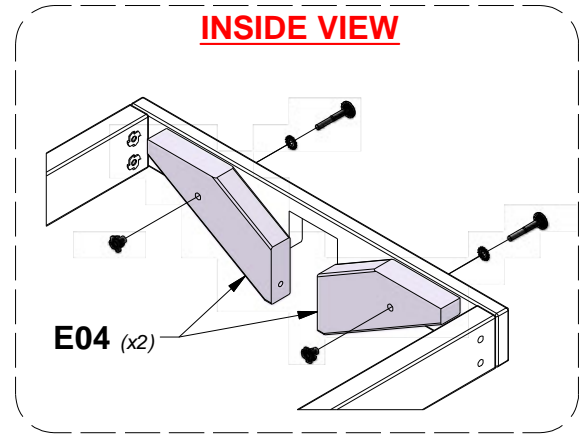
STEP 2 - CROWS NEST DECK ASSEMBLY

QTY	PART NUMBER	DESCRIPTION
2	H100205	BOLT WH 5/16x2-1/4" BLK
2	H100198	WASHER LOCK EXT 8x19 BLK
2	H100379	T-NUT 5/16" BLK



E04 CROWS NEST DECK BRACE - W4L18292
 (x2) 1 7/16"x3 3/8"x10 7/8" (36x86x276)

TIP:
INSTALL T-NUTS IN WOOD FIRST



STEP 3 - CROWS NEST DECK ASSEMBLY

QTY	PART NUMBER	DESCRIPTION
30	H100200	SCREW PFH 8x1-1/2" BLK



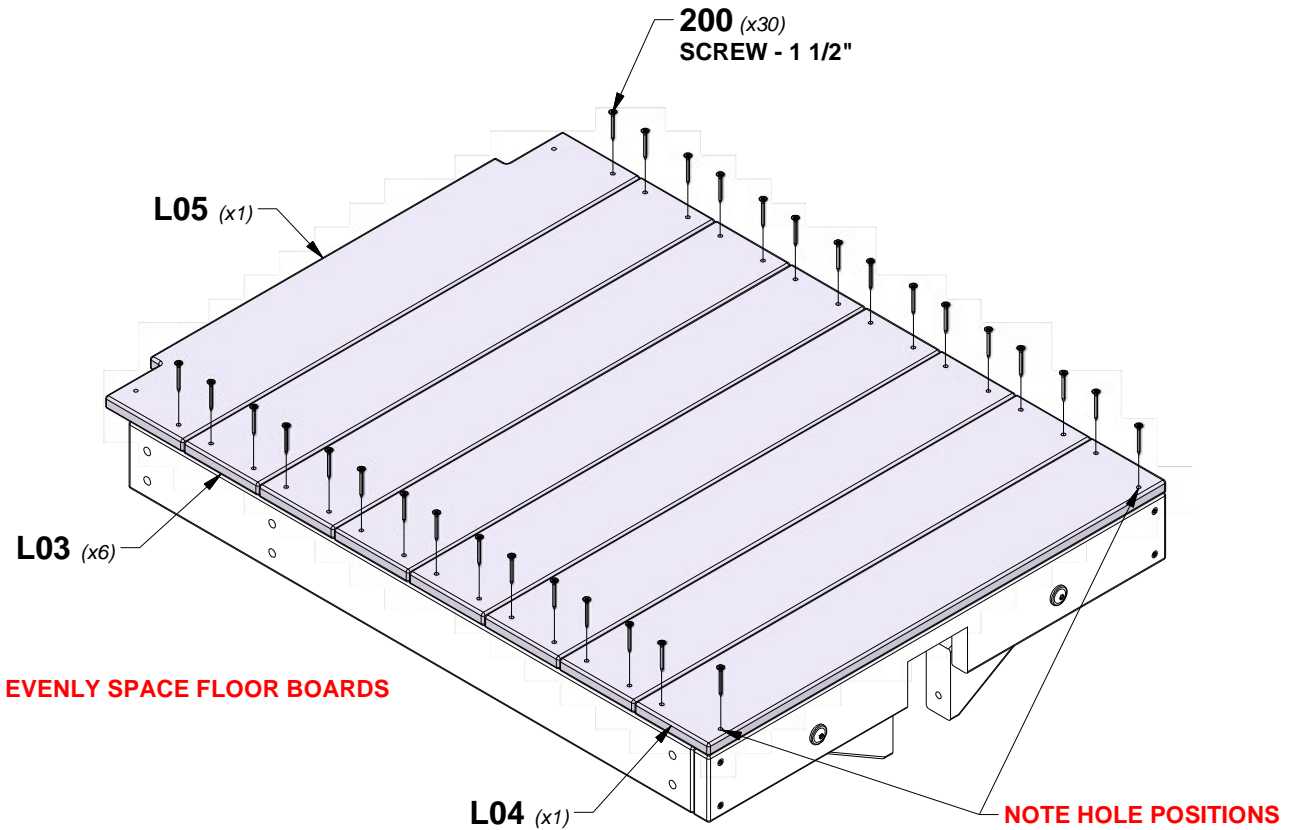
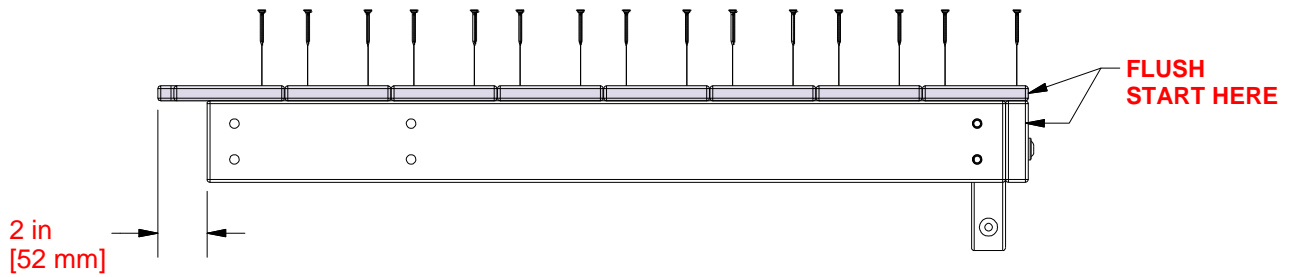
L03 CROWS NEST FLOOR BOARD - W4L18295
(x6) 5/8"x4 3/8"x27" (16x112x686)



L05 CROWS NEST FLOOR BOARD - W4L18306
(x1) 5/8"x5 1/4"x27" (16x134x686)



L04 CROWS NEST FLOOR BOARD - W4L18296
(x1) 5/8"x4 3/8"x27" (16x112x686)



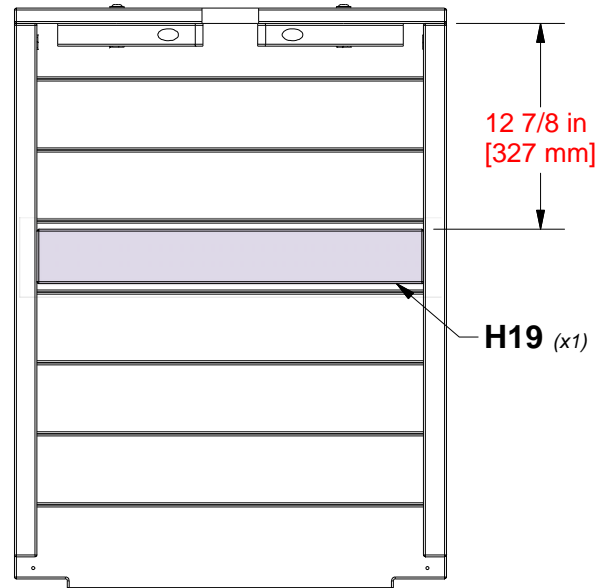
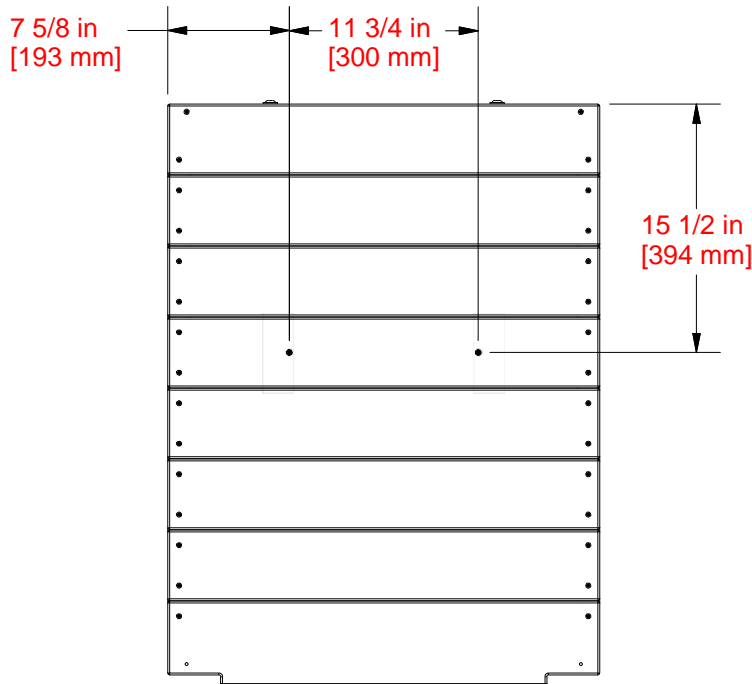
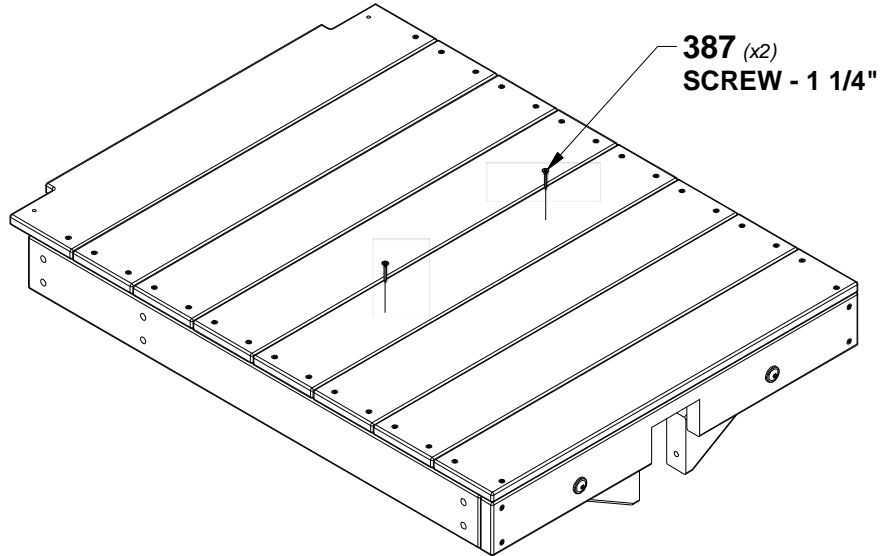
STEP 4 - CROWS NEST DECK ASSEMBLY

QTY	PART NUMBER	DESCRIPTION
2	H100387	SCREW PFH 8x1-1/4" BLK



H19 CROWS NEST FLOOR SUPPORT - W4L18294
 (x1) 1"x3 3/8"x24 1/8" (24x86x614)

NOTE:
 MARK LOCATIONS SHOWN. USING A
 3/16" (5 mm) DRILL BIT, DRILL (2)
 PILOT HOLES.



STEP 1 - LADDER & ROCK WALL ASSEMBLY

QTY	PART NUMBER	DESCRIPTION
8	H100201	SCREW PFH 8x2-1/2" BLK

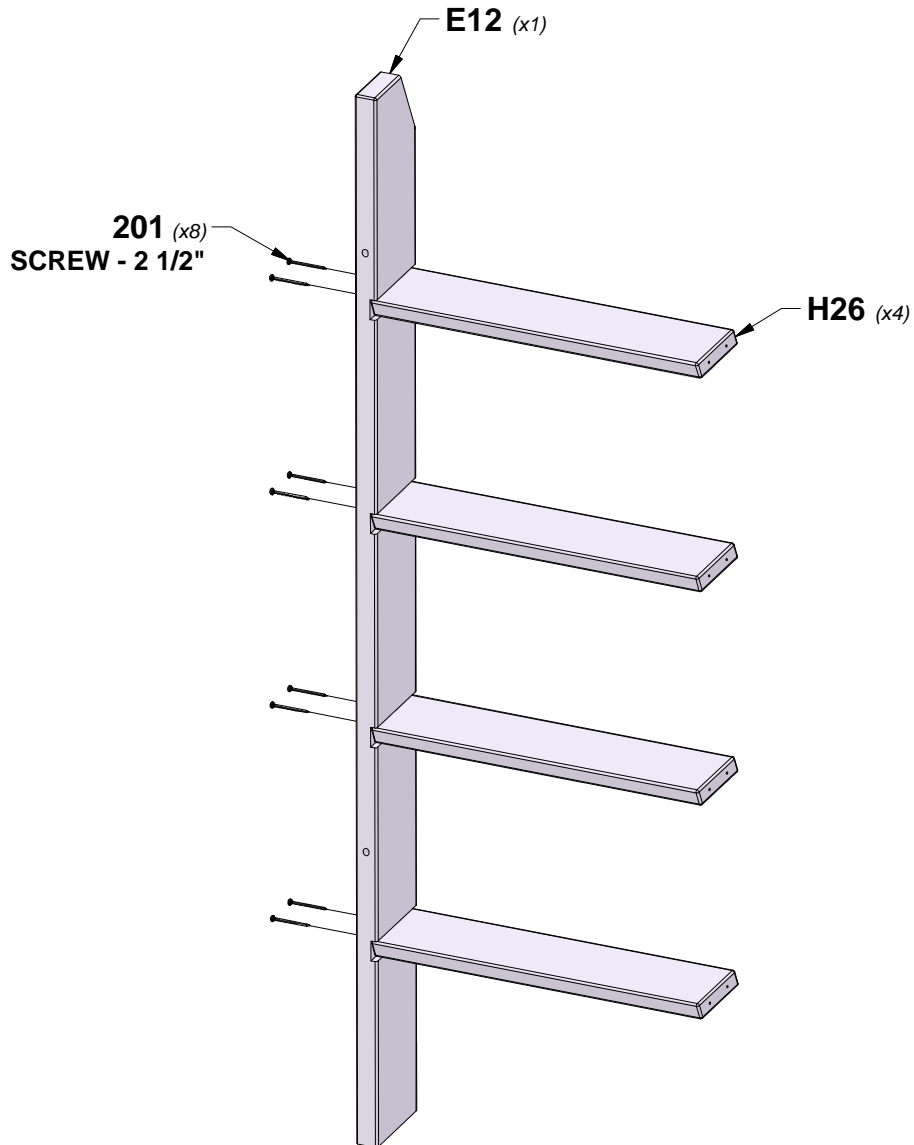


E12 LEFT UPRIGHT - W4L18307
(x1) 1 3/8"x3 3/8"x57 1/8" (36x86x1450)



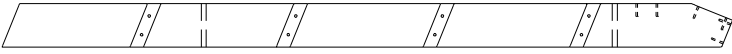
H26 LADDER RUNG - W4L18309
(x4) 1"x3 3/8"x21 3/4" (24x86x554)

TIP:
ALIGN PILOT HOLES

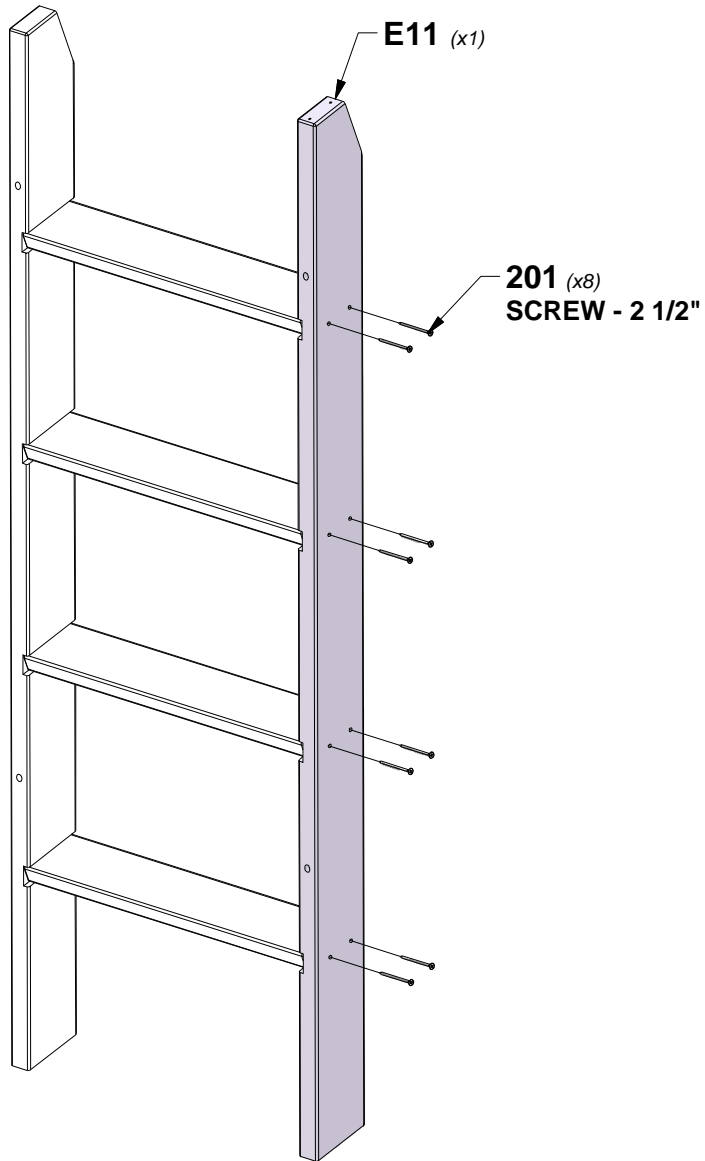


STEP 2 - LADDER & ROCK WALL ASSEMBLY

QTY	PART NUMBER	DESCRIPTION
8	H100201	SCREW PFH 8x2-1/2" BLK

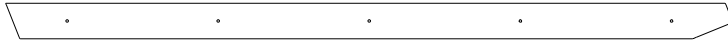


E11 MIDDLE UPRIGHT - W4L18308
(x1) 1 3/8"x3 3/8"x57 1/8" (36x86x1450)

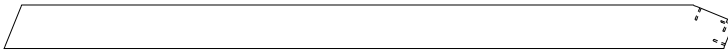


STEP 3 - LADDER & ROCK WALL ASSEMBLY

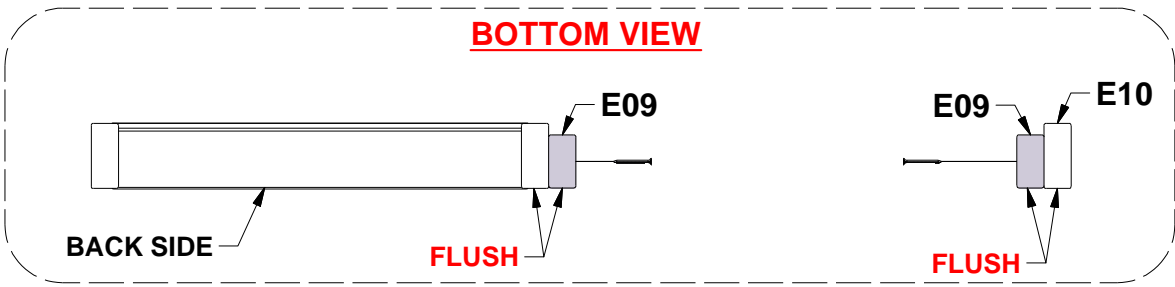
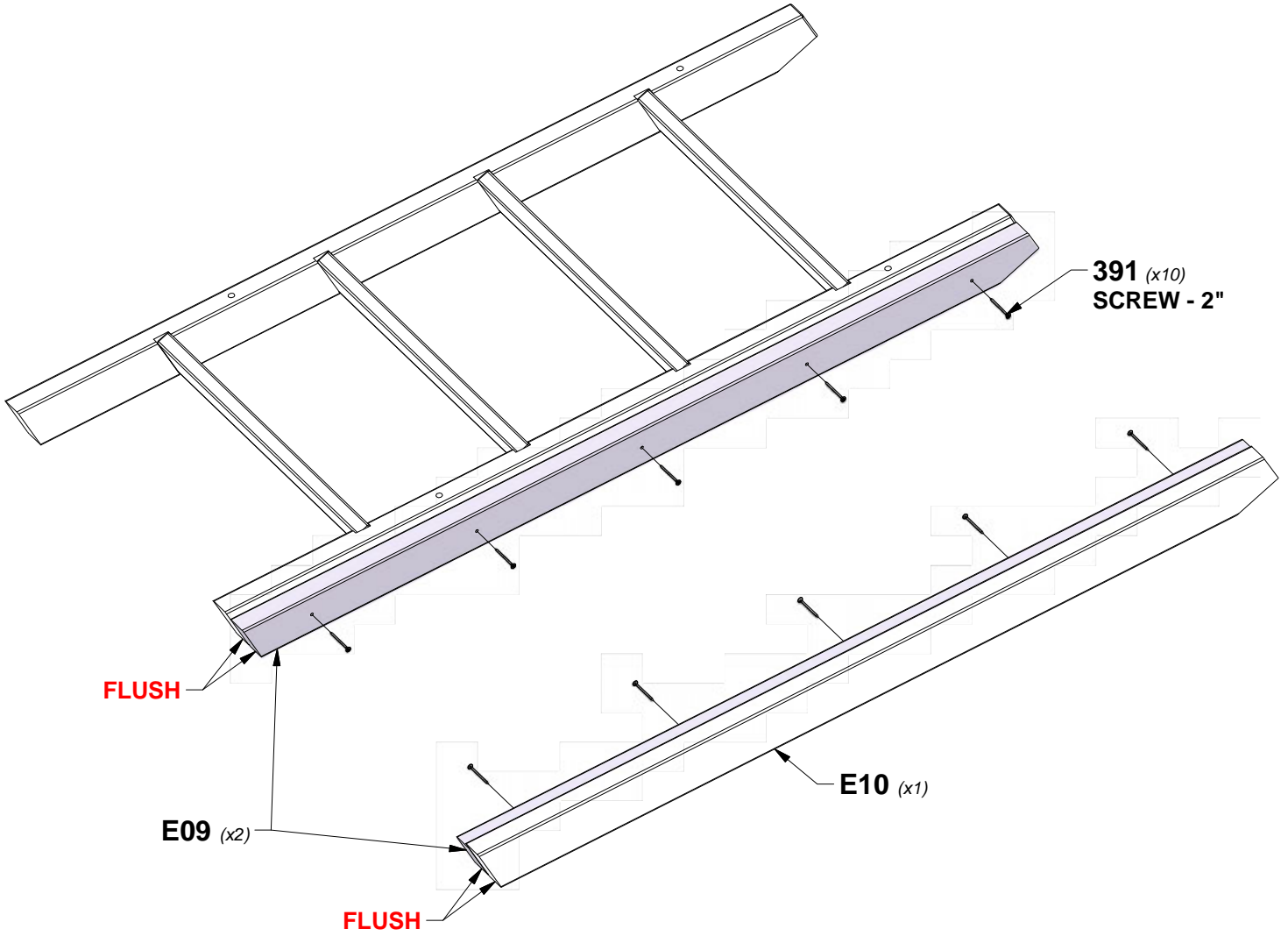
QTY	PART NUMBER	DESCRIPTION
10	H100391	SCREW PFH 8x2" BLK



E09 UPRIGHT - W4L18318
 (x2) 1 3/8"x2 3/4"x56 7/8" (36x70x1444)



E10 RIGHT UPRIGHT - W4L18312
 (x1) 1 3/8"x3 3/8"x57 1/8" (36x86x1450)



STEP 4 - LADDER & ROCK WALL ASSEMBLY

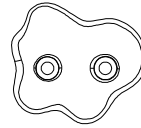
QTY	PART NUMBER	DESCRIPTION
20	H101111	BOLT WH 1/4x3/4 BLK
20	H100473	WASHER LOCK EXT 8x15 BLK
20	H100398	T-NUT 1/4 BLK



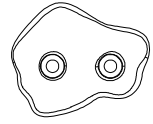
M15 ROCK BOARD - W4L18315
(x4) 5/8"x3 3/8"x25 3/4" (16x86x655)



M16 ROCK BOARD - W4L18316
(x3) 5/8"x3 3/8"x25 3/4" (16x86x655)

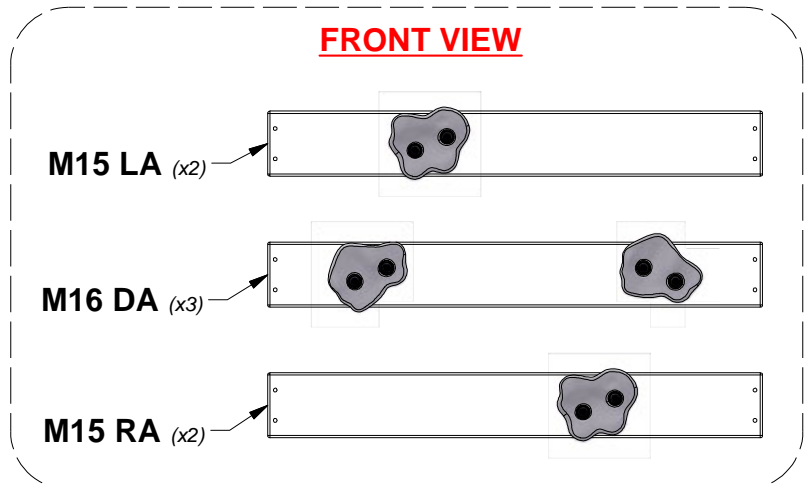
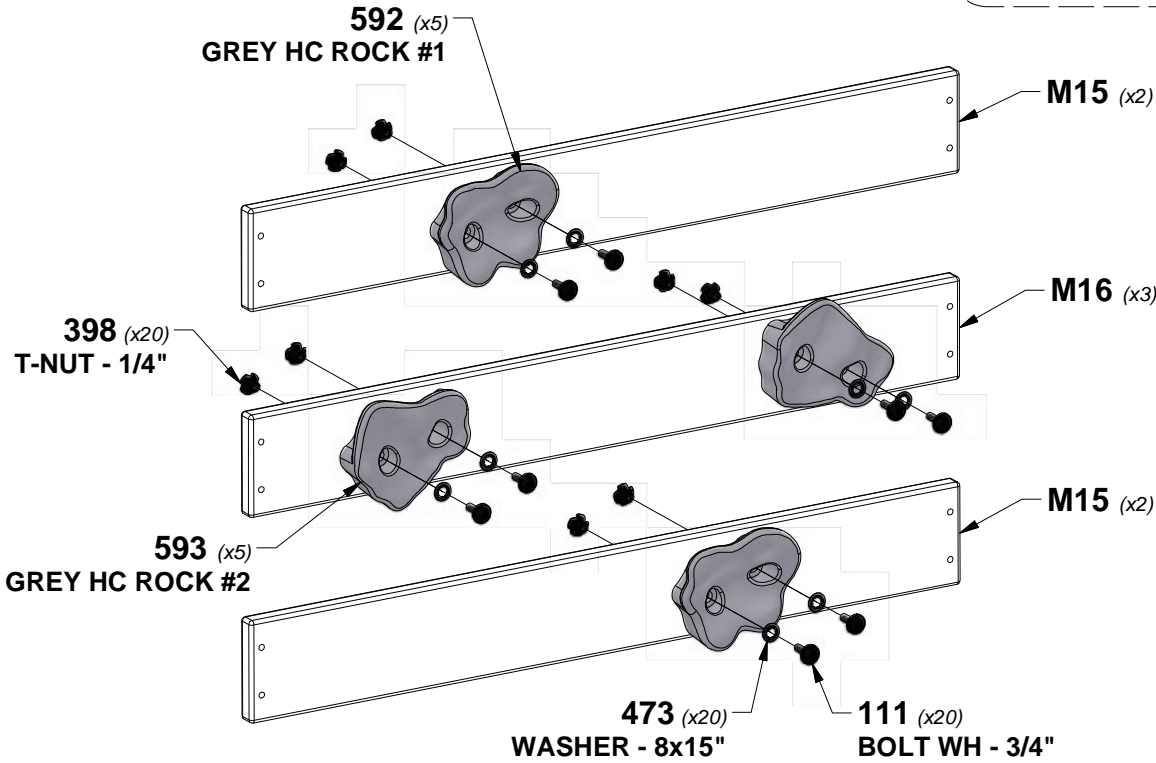
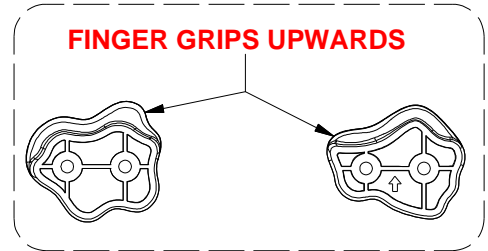


A6P00592
(x5) GREY HC ROCK #1



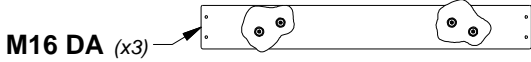
A6P00593
(x5) GREY HC ROCK #2

TIP:
INSTALL T-NUTS IN WOOD FIRST

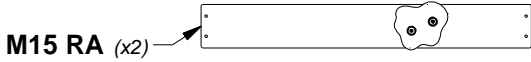


STEP 5 - LADDER & ROCK WALL ASSEMBLY

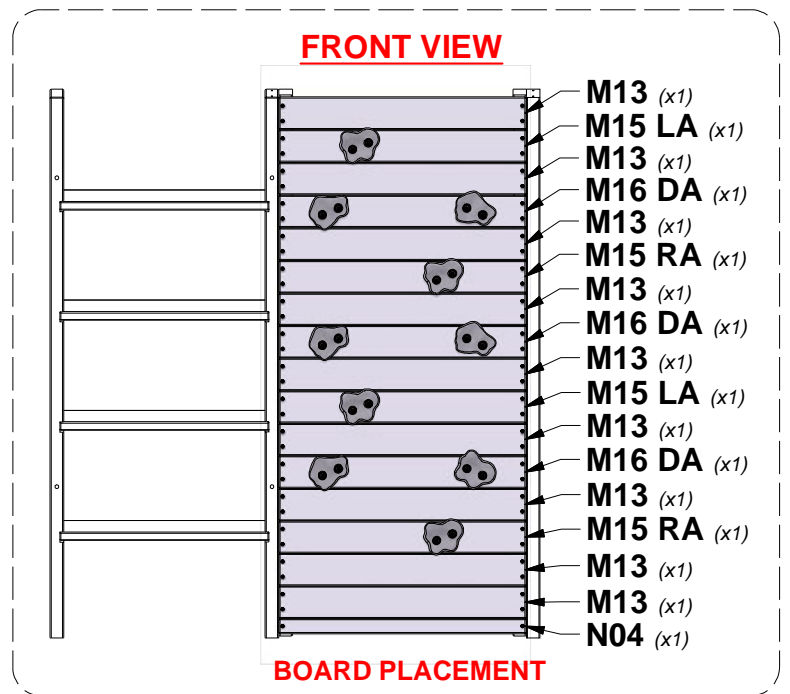
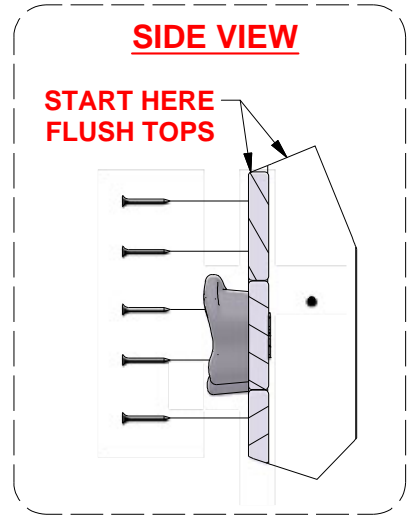
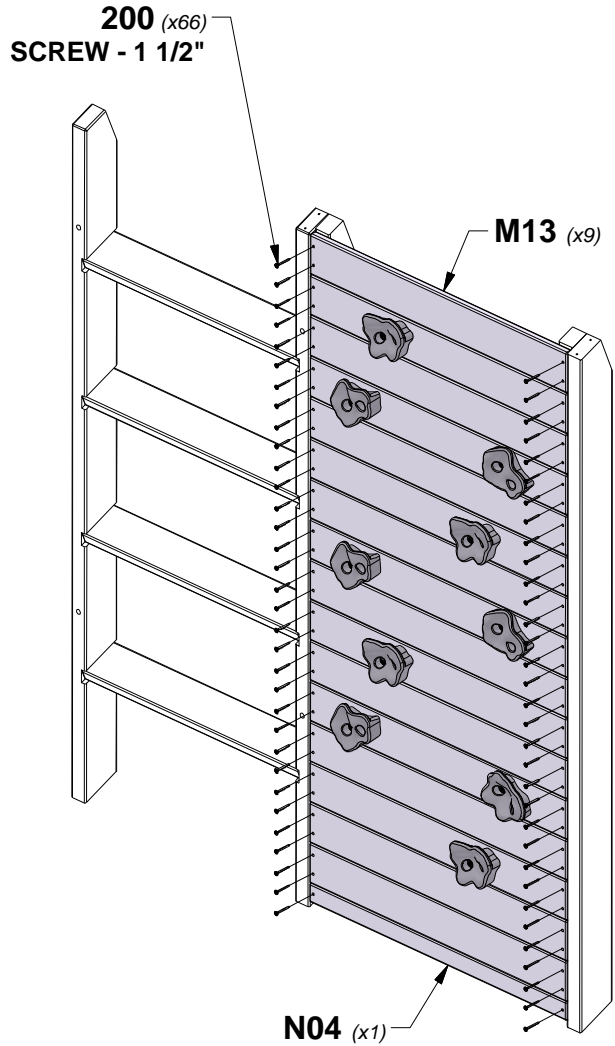
QTY	PART NUMBER	DESCRIPTION
66	H100200	SCREW PFH 8x1-1/2" BLK



M13 ROCK BOARD - W4L18314
(x9) 5/8"x3 3/8"x25 3/4" (16x86x655)



N04 ROCK WALL BOARD - W4L18313
(x1) 5/8"x1 5/8"x25 3/4" (16x40x655)

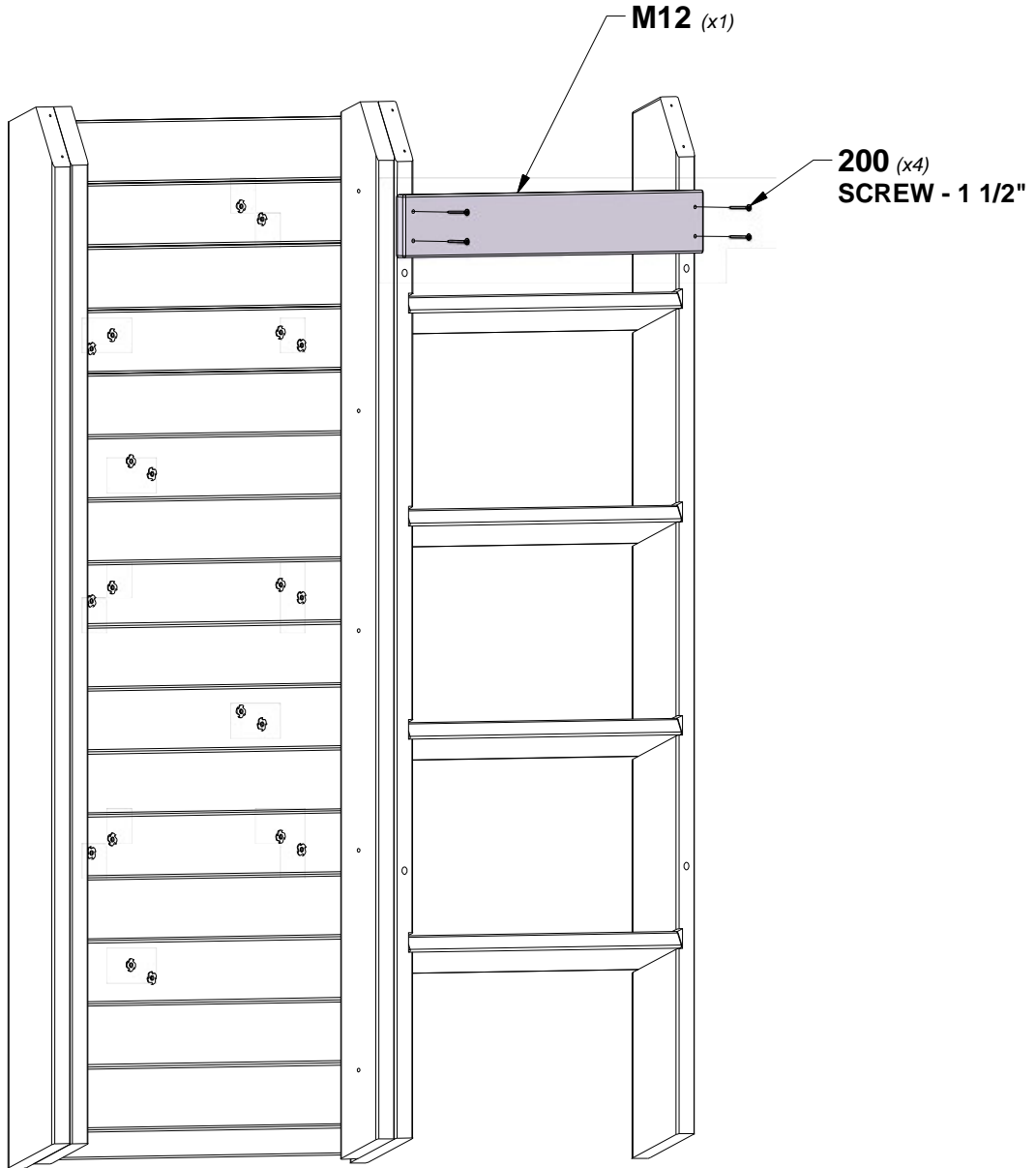


STEP 6 - LADDER & ROCK WALL ASSEMBLY

QTY	PART NUMBER	DESCRIPTION
4	H100200	SCREW PFH 8x1-1/2" BLK

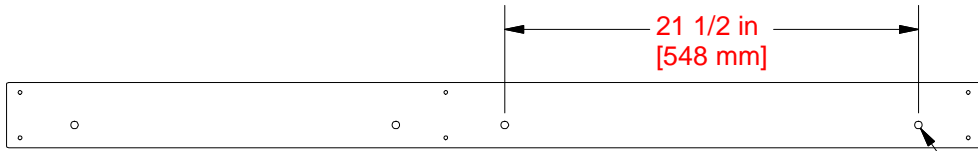


M12 REAR SUPPORT - W4L18310
(x1) 5/8"x3 3/8"x23 7/8" (16x86x606)



STEP 7 - LADDER & ROCK WALL ASSEMBLY

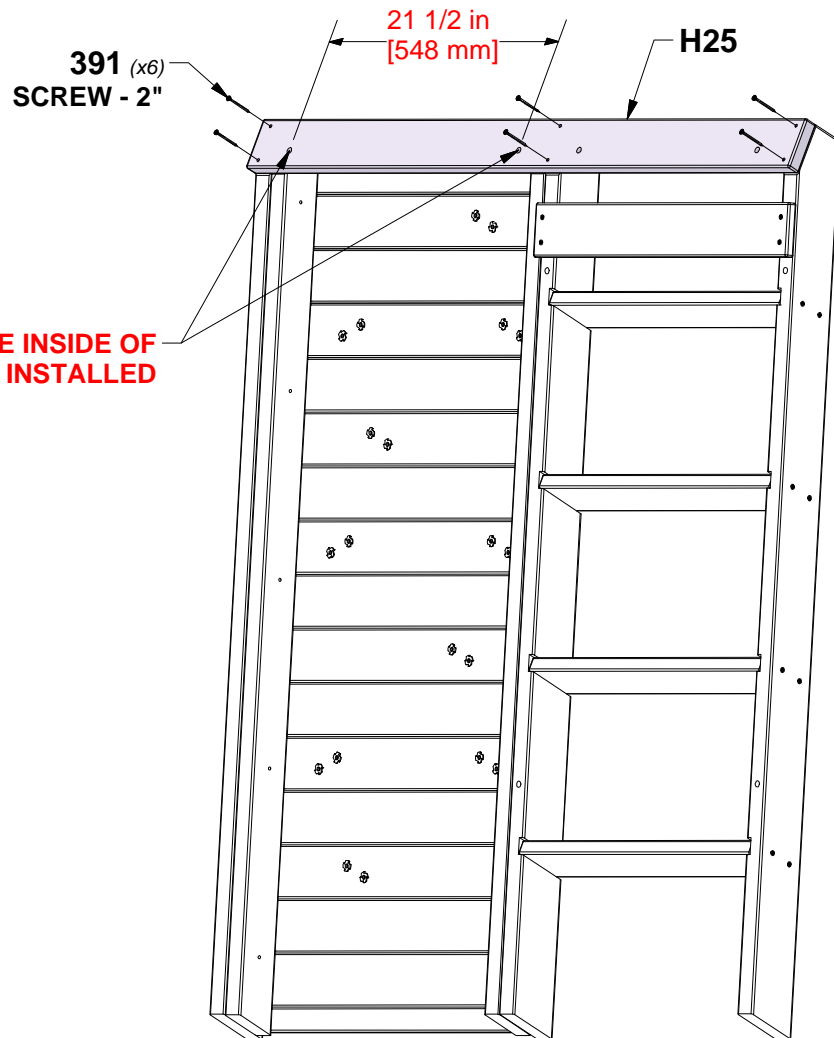
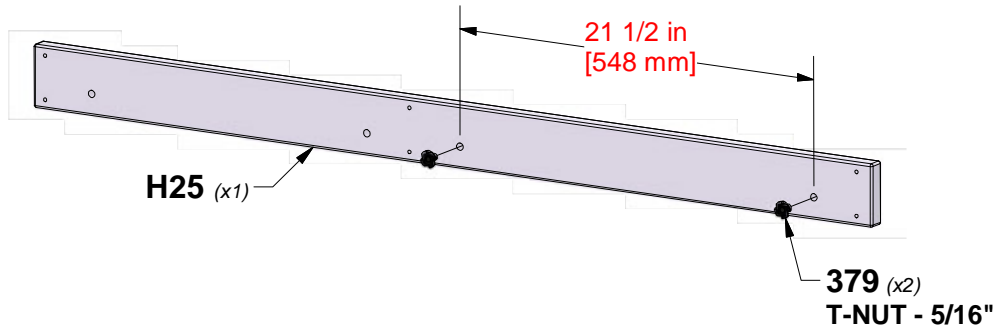
QTY	PART NUMBER	DESCRIPTION
6	H100391	SCREW PFH 8x2" BLK
2	H100379	T-NUT 5/16" BLK



H25 ATTACHMENT BOARD - W4L18311
 (x1) 1"x3 3/8"x51 1/8" (24x86x1297)

HOLES DOWNWARD

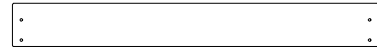
**TIP:
 INSTALL T-NUTS IN WOOD FIRST**



T-NUTS TO THE INSIDE OF BOARD WHEN INSTALLED

STEP 8 - LADDER & ROCK WALL ASSEMBLY

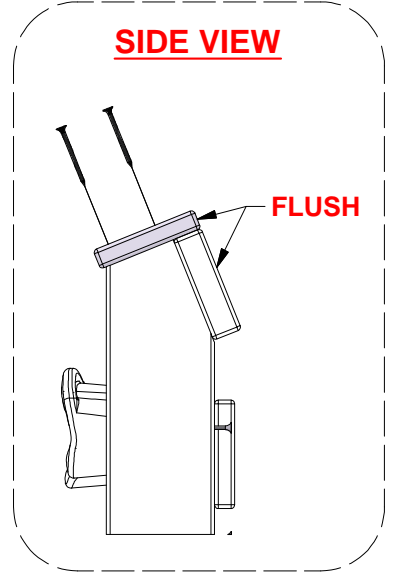
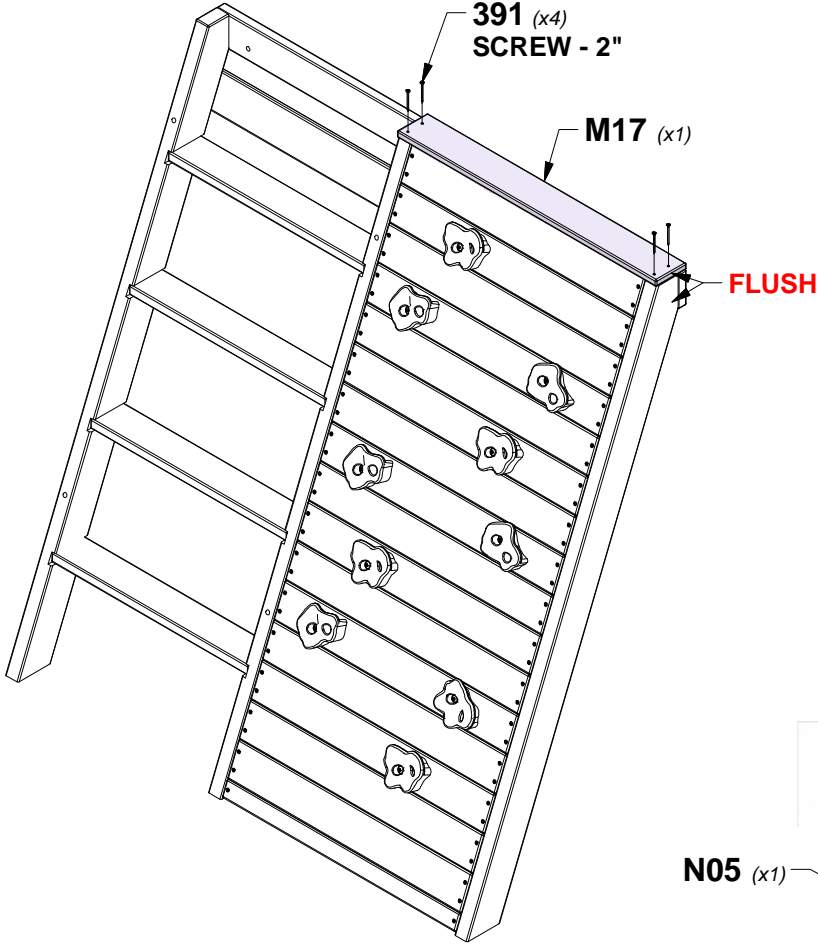
QTY	PART NUMBER	DESCRIPTION
11	H100380	SCREW PFH 8x1 1/8" BLK
4	H100391	SCREW PFH 8x2" BLK



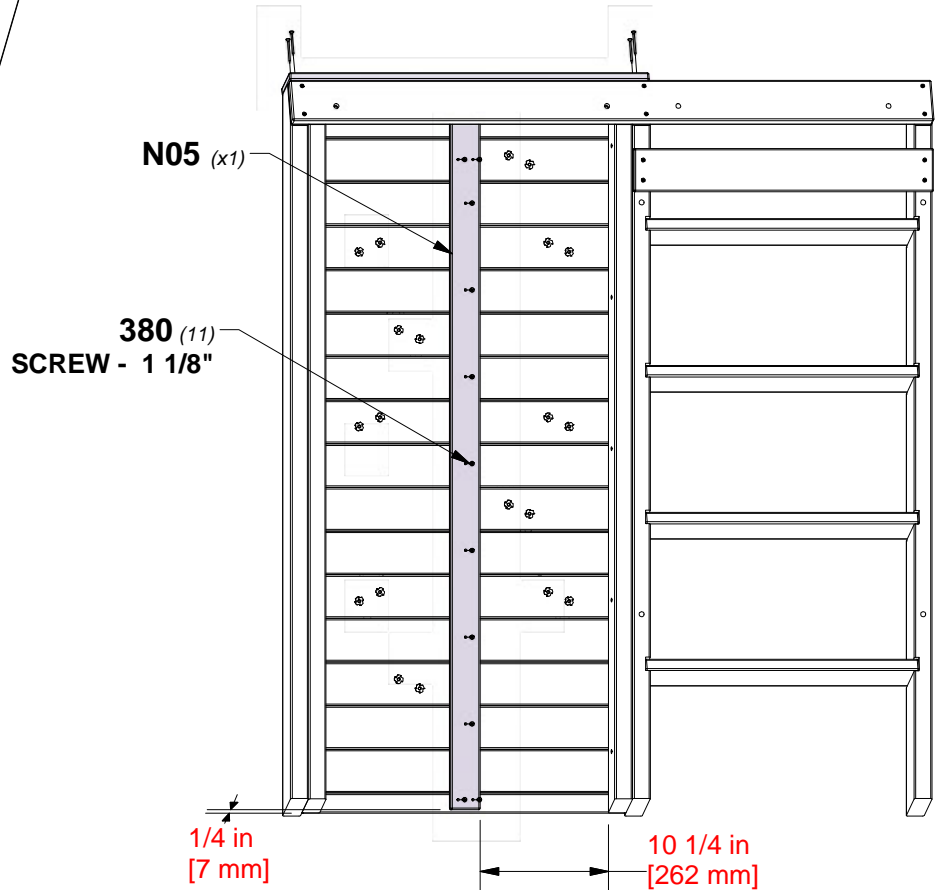
M17 TOP BOARD - W4L18322
 (x1) 5/8"x3 3/8"x28 5/8" (16x86x728)



N05 ROCKWALL CLEAT - W4L18317
 (x1) 5/8"x2 3/8"x53 7/8" (16x60x1370)



CENTER N05 AS SHOWN BELOW



1/4 in
[7 mm]

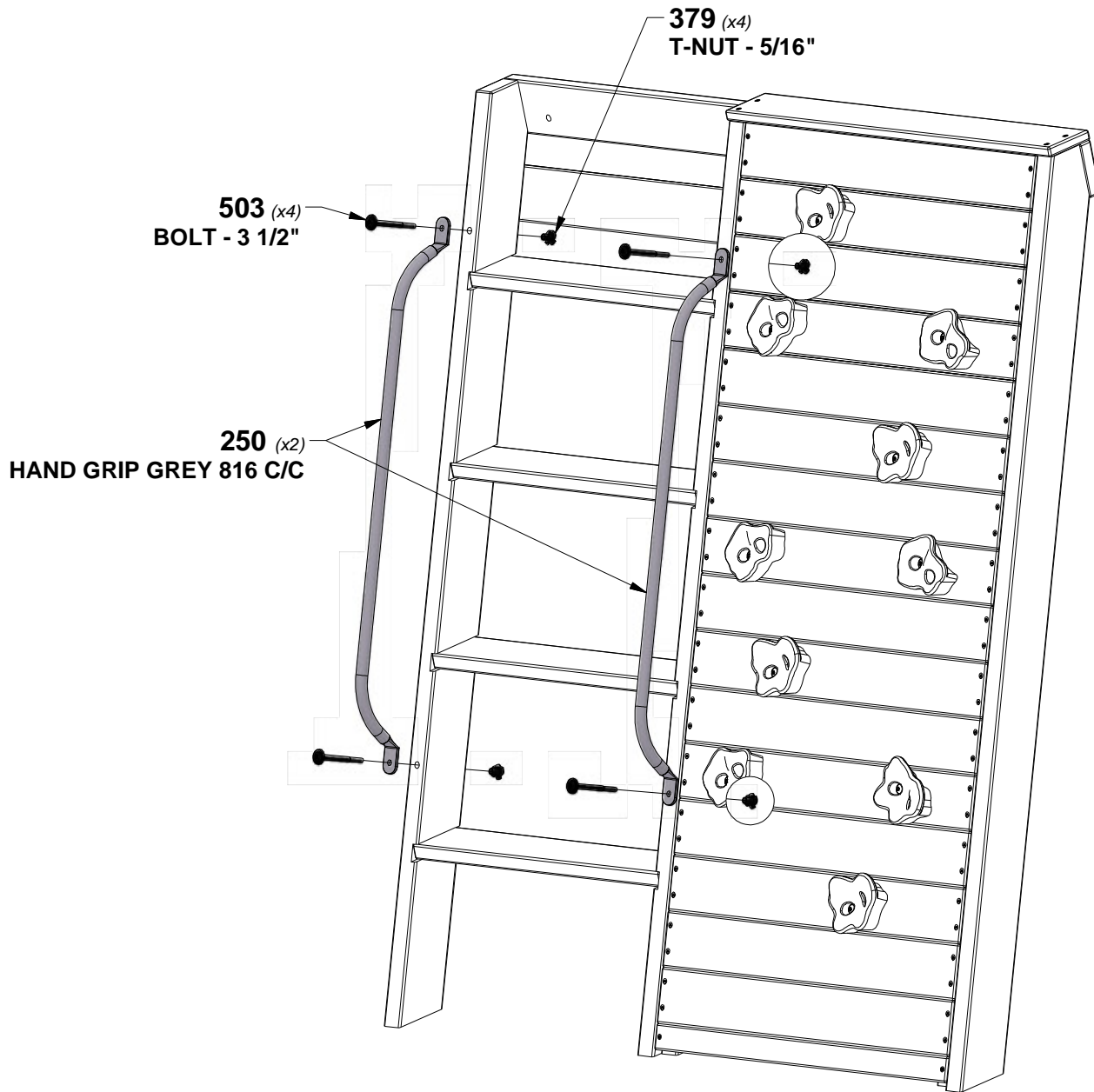
10 1/4 in
[262 mm]

STEP 9 - LADDER & ROCK WALL ASSEMBLY

QTY	PART NUMBER	DESCRIPTION
4	H100503	BOLT WH 5/16x3-1/2" BLK
4	H100379	T-NUT 5/16" BLK

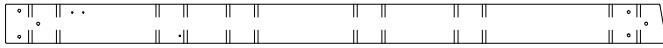


TIP:
INSTALL T-NUTS IN WOOD FIRST



STEP 1 - SWING BEAM ASSEMBLY

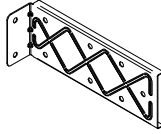
QTY	PART NUMBER	DESCRIPTION
10	H100416	BOLT WH 5/16x3" BLK
10	H100192	NUT BARREL WH 5/16x7/8" BLK



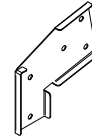
A1 SWING BEAM EXTENDED - W4L18222
 (x1) 3 3/8"x5 1/4"x89 1/2" (86x134x2274)



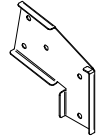
A2 SB 9" BLOCK - W4L18223
 (x1) 3 3/8"x5 1/4"x9" (86x134x228)



A4M01679 EXTENDED SWING BEAM BRACKET
 (x2)

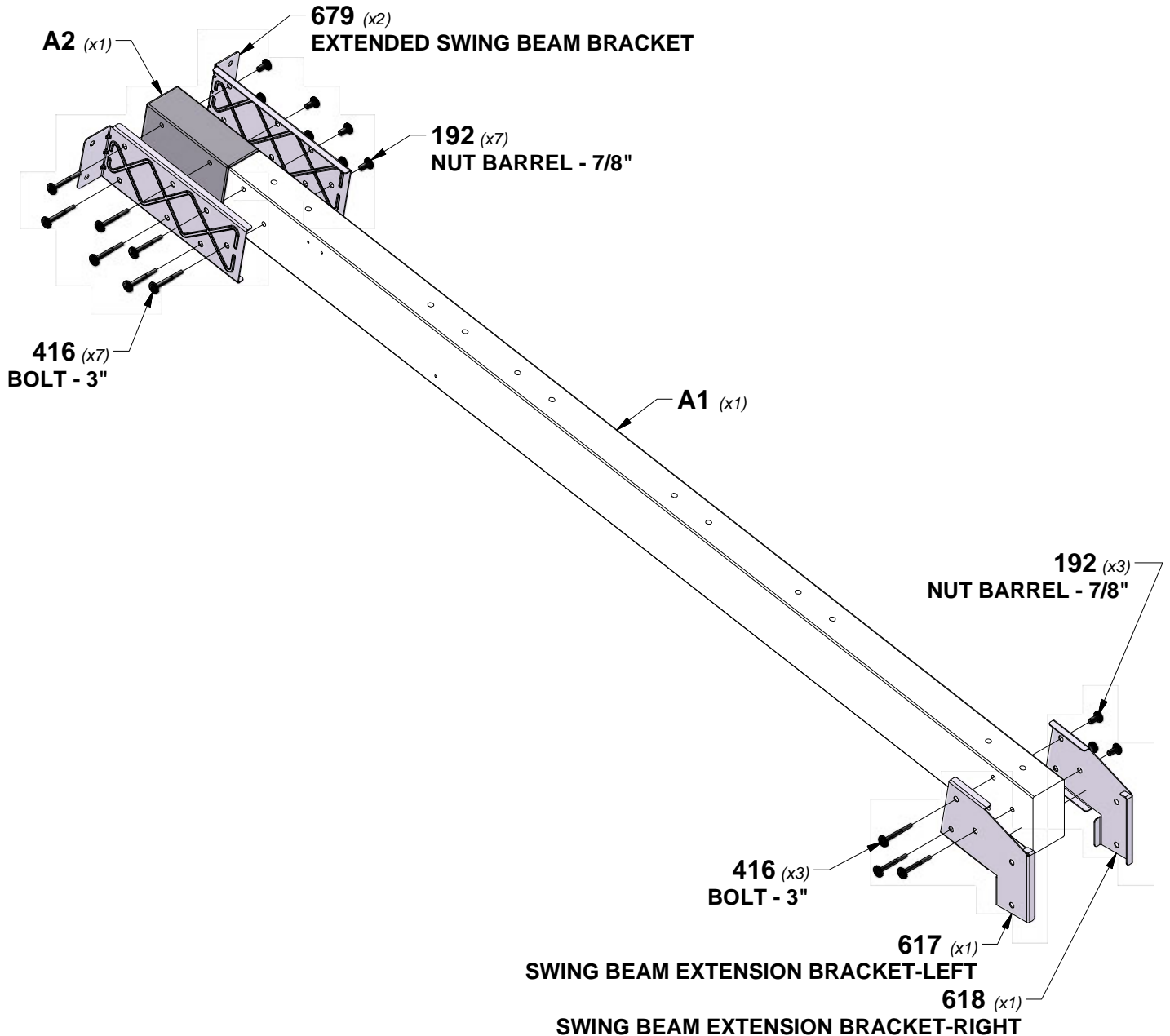
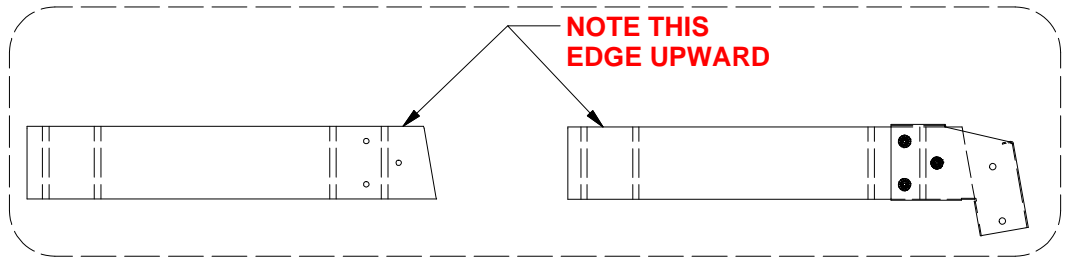


A4M00617 SWING BEAM EXTENSION BRACKET - LEFT
 (x1)

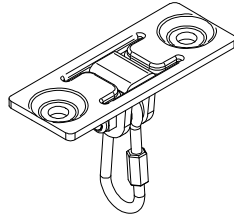


A4M00618 SWING BEAM EXTENSION BRACKET - RIGHT
 (x1)

TIP:
 LEAVE 416 BOLTS & 192 NUT BARRELS HAND TIGHT.



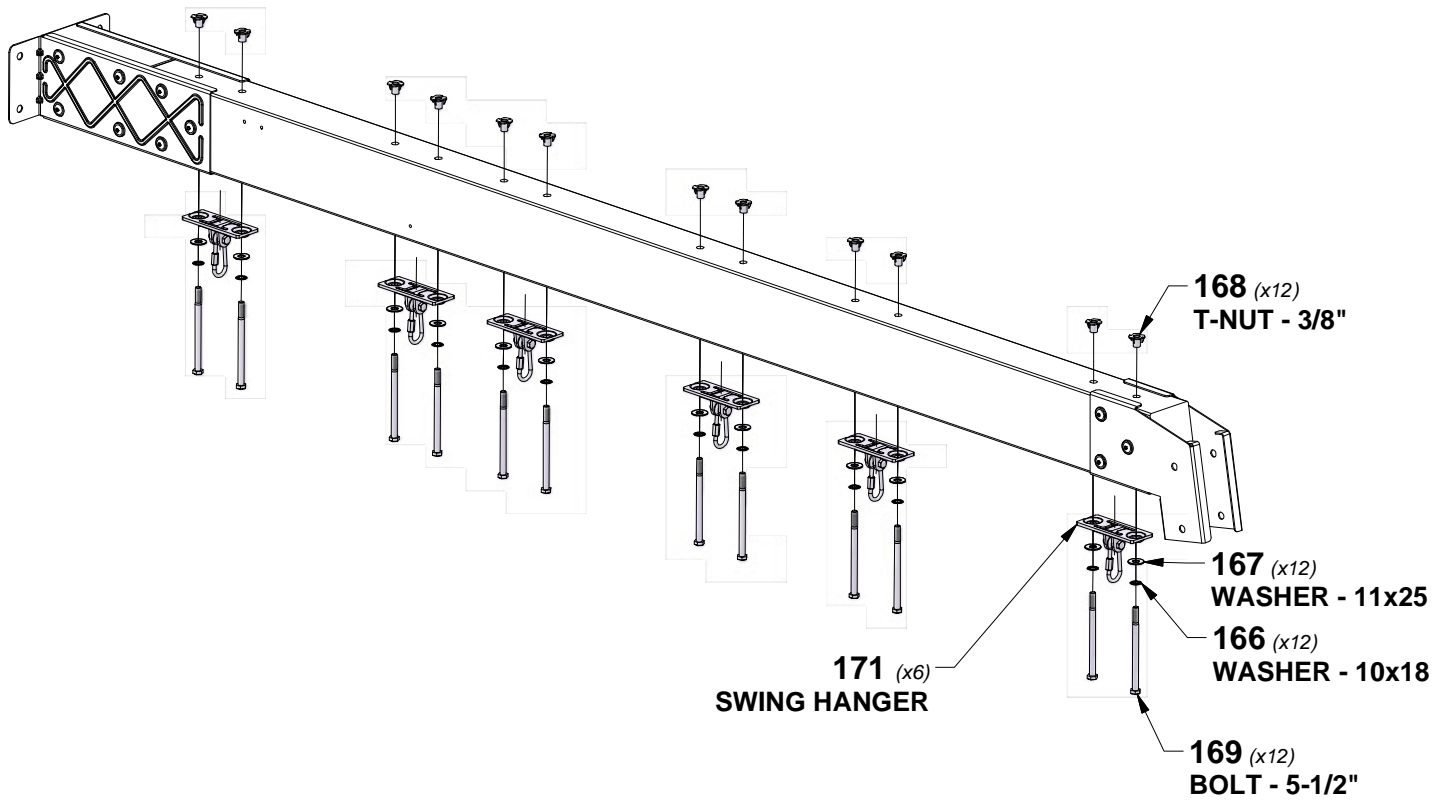
STEP 2 - SWING BEAM ASSEMBLY



A4M02171
(x6) **SWING HANGER**

QTY	PART NUMBER	DESCRIPTION
12	H101166	WASHER LOCK INT 10x18 BLK
12	H101167	WASHER FLAT 11x25 BLK
12	H101168	T-NUT 3/8" BLK
12	H101169	BOLT HEX 3/8x5-1/2 BLK

TIP:
INSTALL T-NUTS IN WOOD FIRST

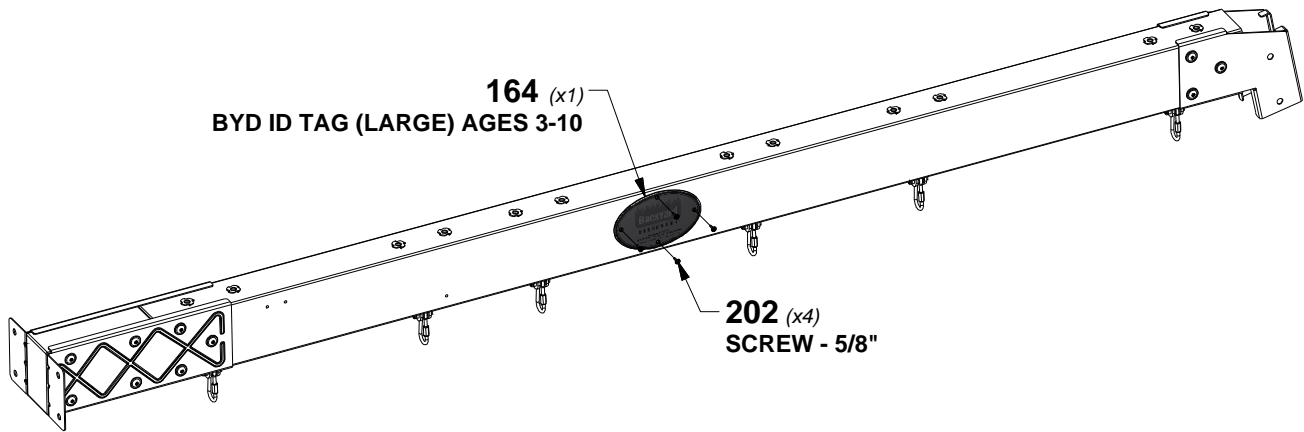
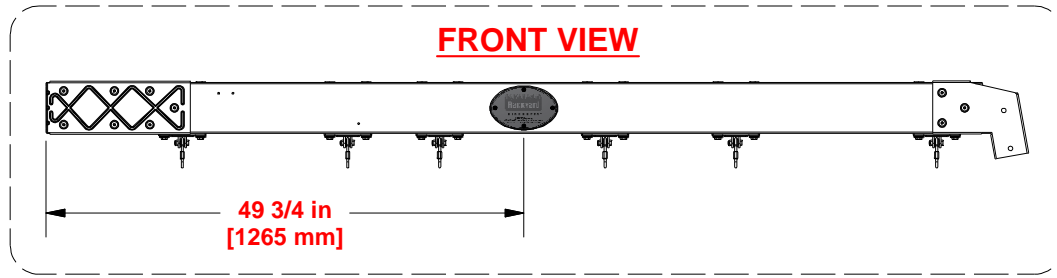


STEP 3 - SWING BEAM ASSEMBLY

QTY	PART NUMBER	DESCRIPTION
4	H100202	SREW PWH 8x5/8" BLK

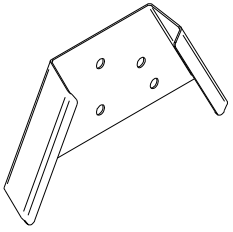


A100164 BYD ID TAG (LARGE)
(x1) AGES 3-10

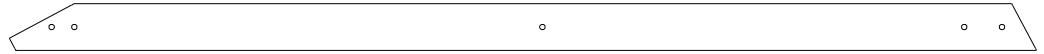


STEP 4 - SWING BEAM ASSEMBLY

QTY	PART NUMBER	DESCRIPTION
2	H100503	BOLT WH 5/16x3-1/2" BLK
4	H100407	BOLT WH 5/16x1-1/2" BLK
6	H100379	T-NUT 5/16" BLK



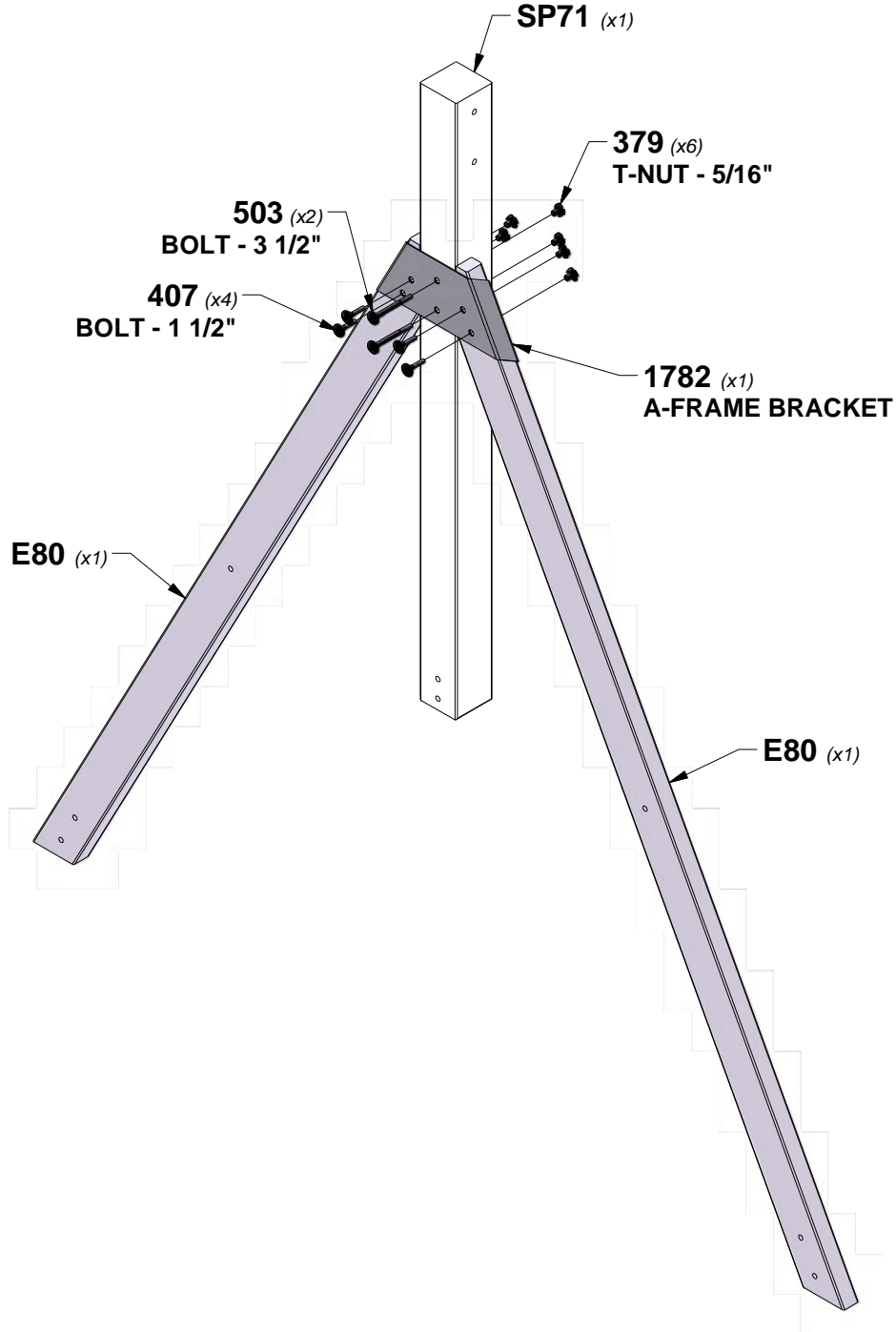
SP71 SWING BEAM SUPPORT - W4L18221
 (x1) 3 3/8"x3 3/8"x49 1/2" (86x86x1256)



E80 ANGLE BRACE - W4L18219
 (x2) 1 3/8"x3 3/8"x74 7/8" (36x86x1903)

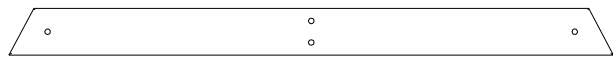
A4M01782 A-FRAME BRACKET
 (x1)

TIP:
INSTALL T-NUTS IN WOOD FIRST



STEP 5 - SWING BEAM ASSEMBLY

QTY	PART NUMBER	DESCRIPTION
2	H100195	BOLT WH 5/16x2-3/4" BLK
4	H100205	BOLT WH 5/16x2-1/4" BLK
8	H100198	WASHER LOCK EXT 8x19 BLK
8	H100379	T-NUT 5/16" BLK
2	H100480	BOLT WH 5/16x4-3/4" BLK

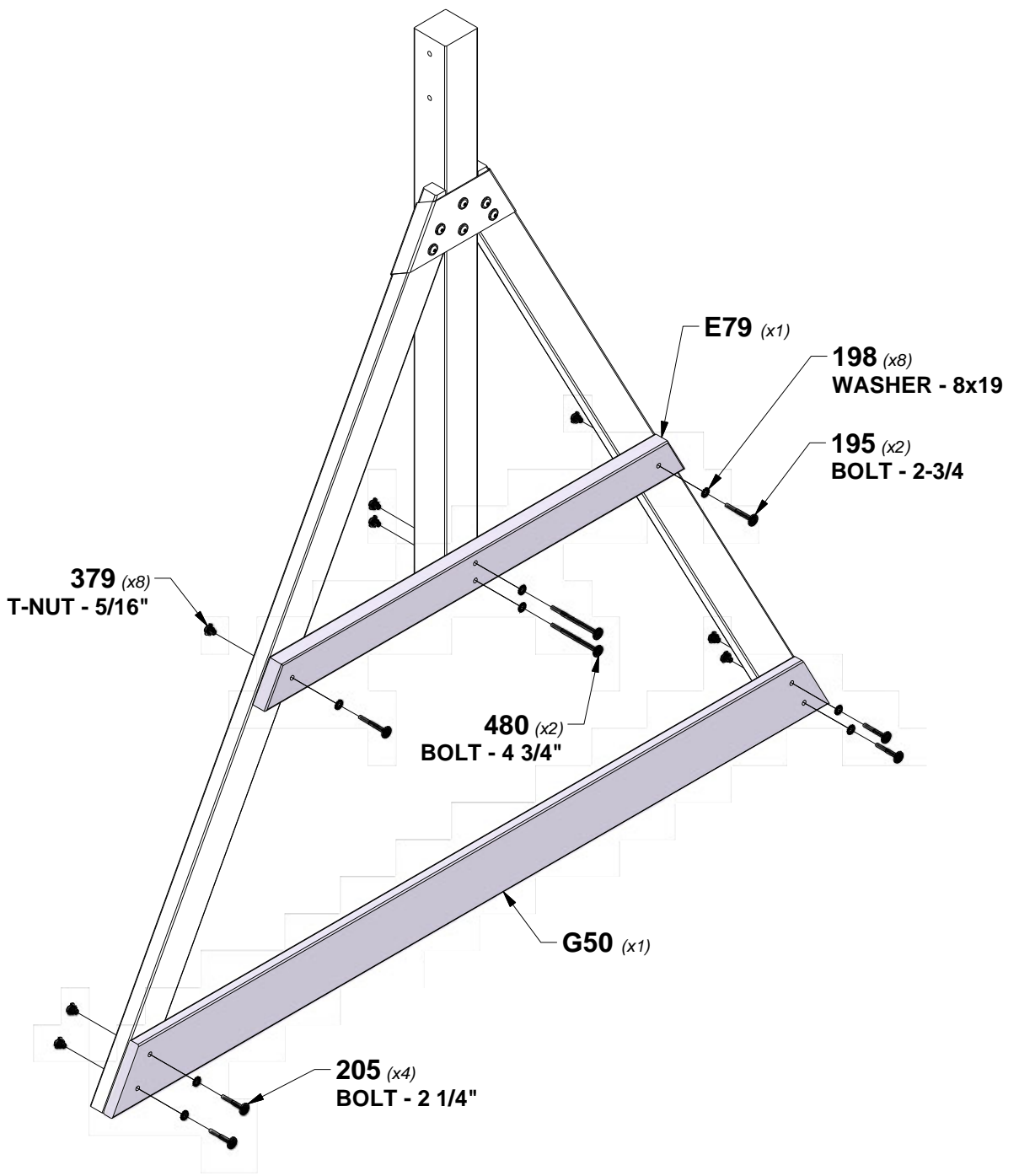


E79 END SUPPORT - W4L18220
 (x1) 1 1/2"x3 1/2"x44" (36x86x1120)



G50 GROUND BOARD - W4L18218
 (x1) 1"x5 1/4"x75 1/4" (24x134x1912)

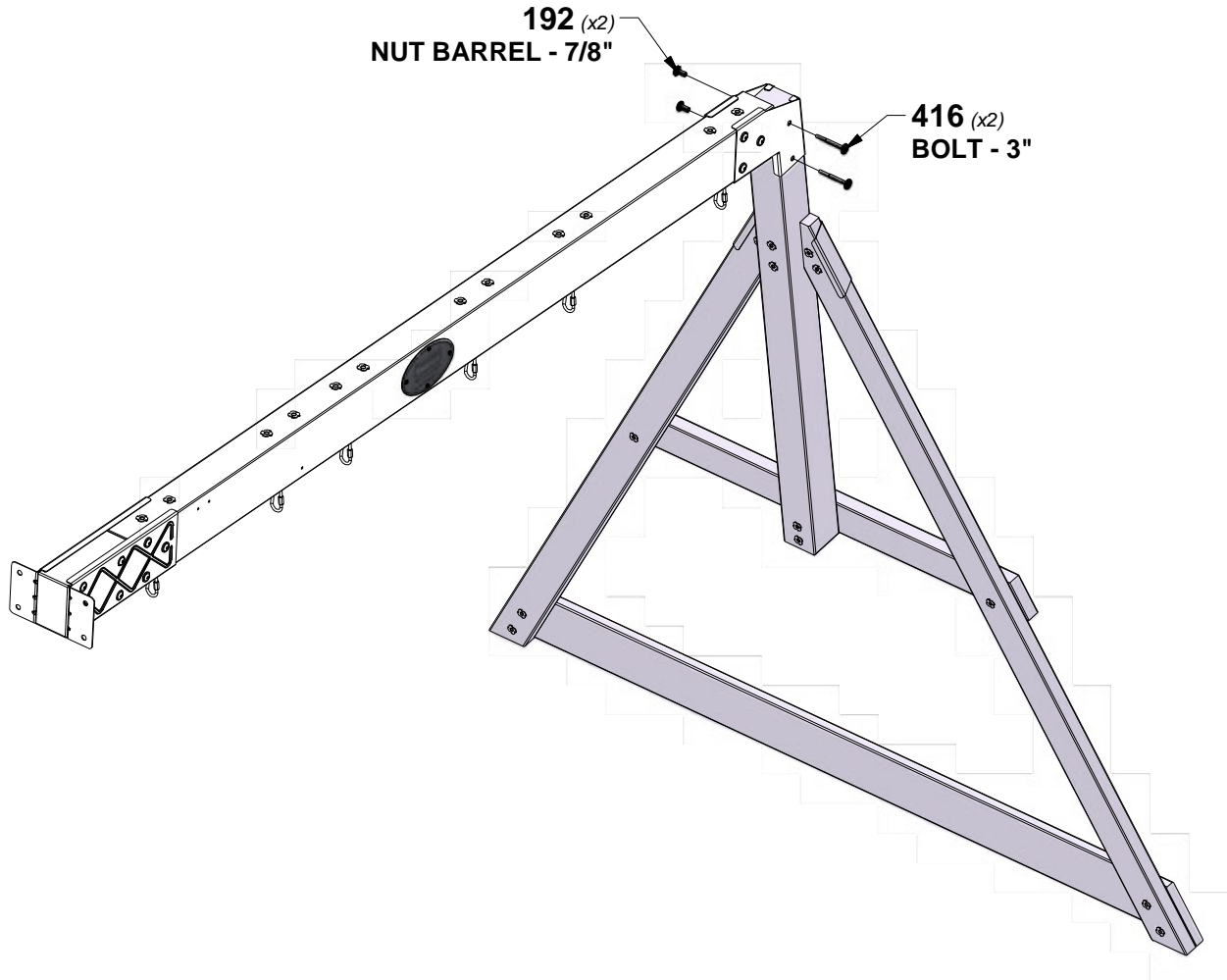
TIP:
INSTALL T-NUTS IN WOOD FIRST



STEP 6 - SWING BEAM ASSEMBLY

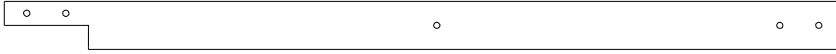
QTY	PART NUMBER	DESCRIPTION
2	H100416	BOLT WH 5/16x3" BLK
2	H100192	NUT BARREL WH 5/16x7/8" BLK

TIP:
TIGHTEN ALL 416 BOLTS & 192 NUT BARRELS NOW.



STEP 1 - FORT ASSEMBLY

QTY	PART NUMBER	DESCRIPTION
8	H100198	WASHER LOCK EXT 8x19 BLK
8	H100379	T-NUT 5/16 BLK
8	H100415	BOLT WH 5/16x3 3/4 BLK



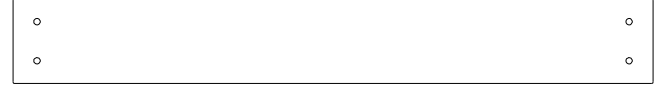
B03 POST - W4L18235
(x1) 3"x3"x52 3/8" (76x76x1330)



B01 POST ASSEMBLY - W2A03946
(x1) 3"x3"x63 7/16" (76x76x1330)

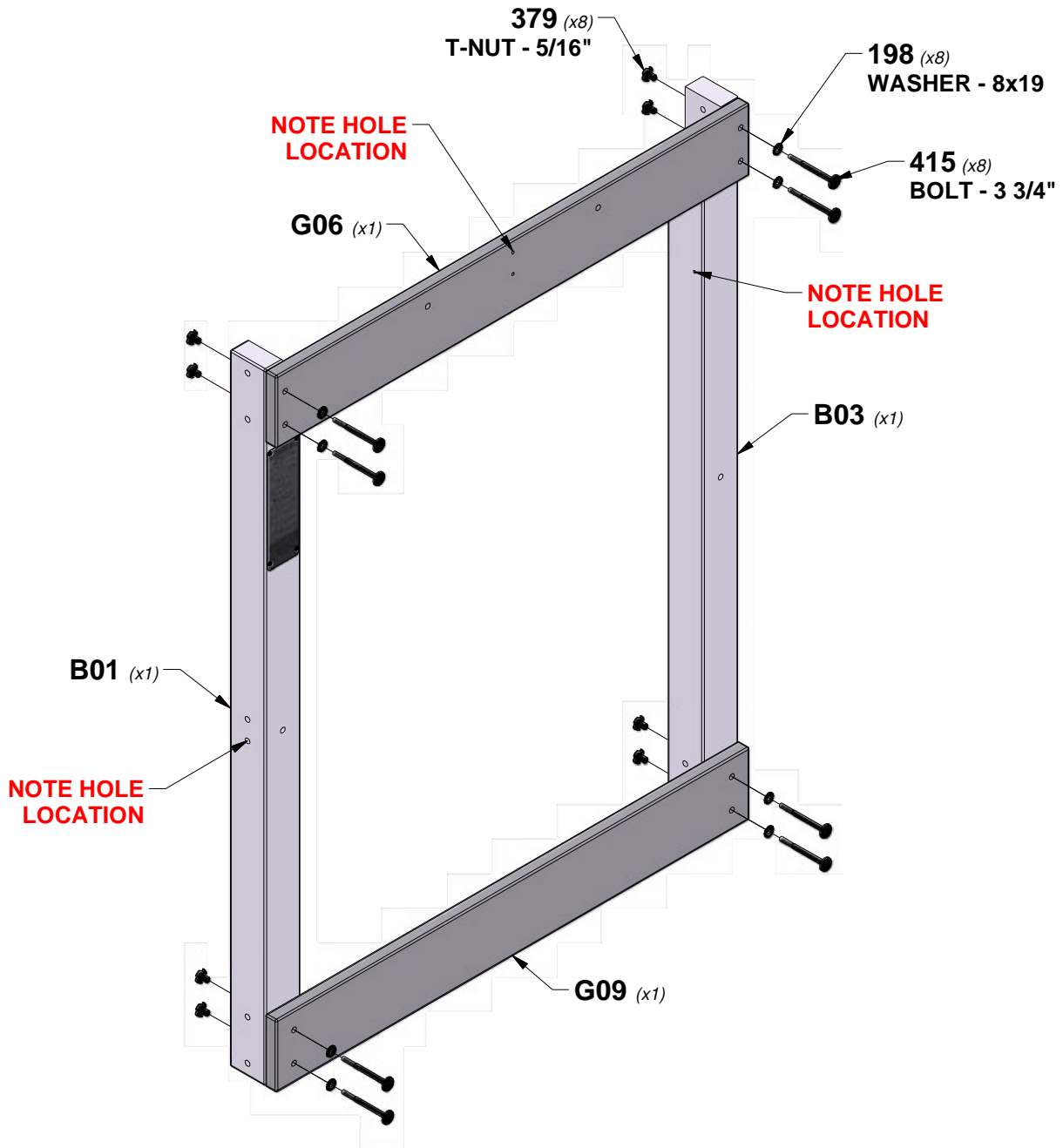


G06 FLOOR RAIL - W4L18257
(x1) 1"x5 1/4"x40" (24x134x1017)



G09 WALL RAIL - W4L18272
(x1) 1"x5 1/4"x40" (24x134x1017)

TIP:
INSTALL T-NUTS IN WOOD FIRST



STEP 2 - FORT ASSEMBLY

QTY	PART NUMBER	DESCRIPTION
8	H100198	WASHER LOCK EXT 8x19 BLK
8	H100379	T-NUT 5/16 BLK
8	H100415	BOLT WH 5/16x3 3/4 BLK



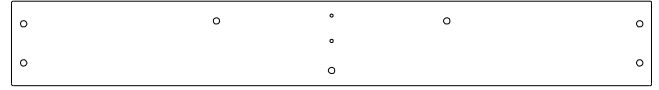
B02 POST - W4L18234
(x1) 3"x3"x52 3/8" (76x76x1330)



B04 POST - W4L18236
(x1) 3"x3"x52 3/8" (76x76x1330)

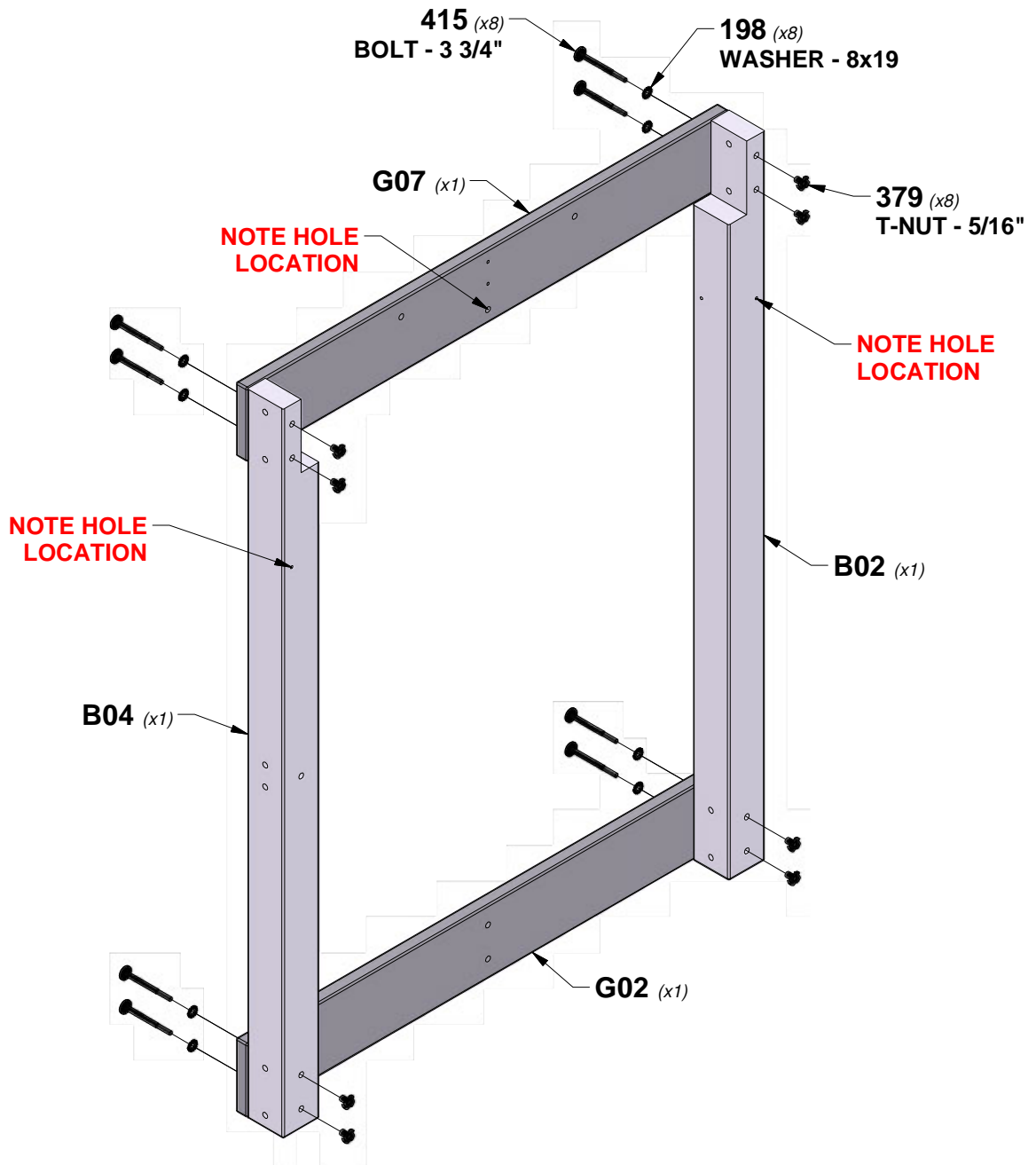


G02 GROUND BOARD - W4L18238
(x1) 1"x5 1/4"x40" (24x134x1017)



G07 FLOOR RAIL - W4L18258
(x1) 1"x5 1/4"x40" (24x134x1017)

TIP:
INSTALL T-NUTS IN WOOD FIRST



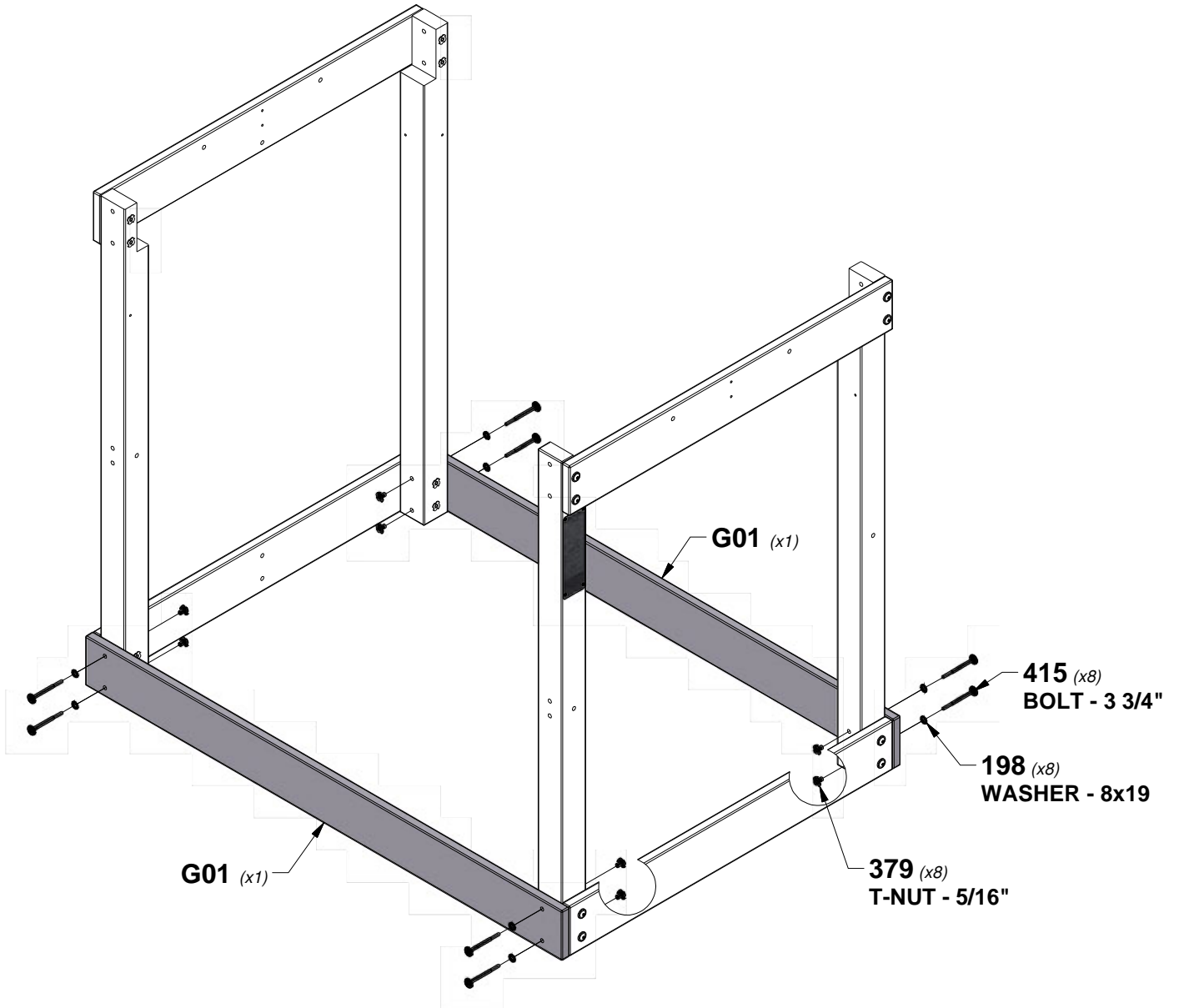
STEP 3 - FORT ASSEMBLY

QTY	PART NUMBER	DESCRIPTION
8	H100198	WASHER LOCK EXT 8x19 BLK
8	H100379	T-NUT 5/16 BLK
8	H100415	BOLT WH 5/16x3 3/4 BLK



G01 GROUND BOARD - W4L18237
(x2) 1"x5 1/4"x59" (24x134x1498)

TIP:
INSTALL T-NUTS IN WOOD FIRST



STEP 4 - FORT ASSEMBLY

QTY	PART NUMBER	DESCRIPTION
6	H100198	WASHER LOCK EXT 8x19 BLK
6	H100379	T-NUT 5/16 BLK
6	H100415	BOLT WH 5/16x3 3/4 BLK

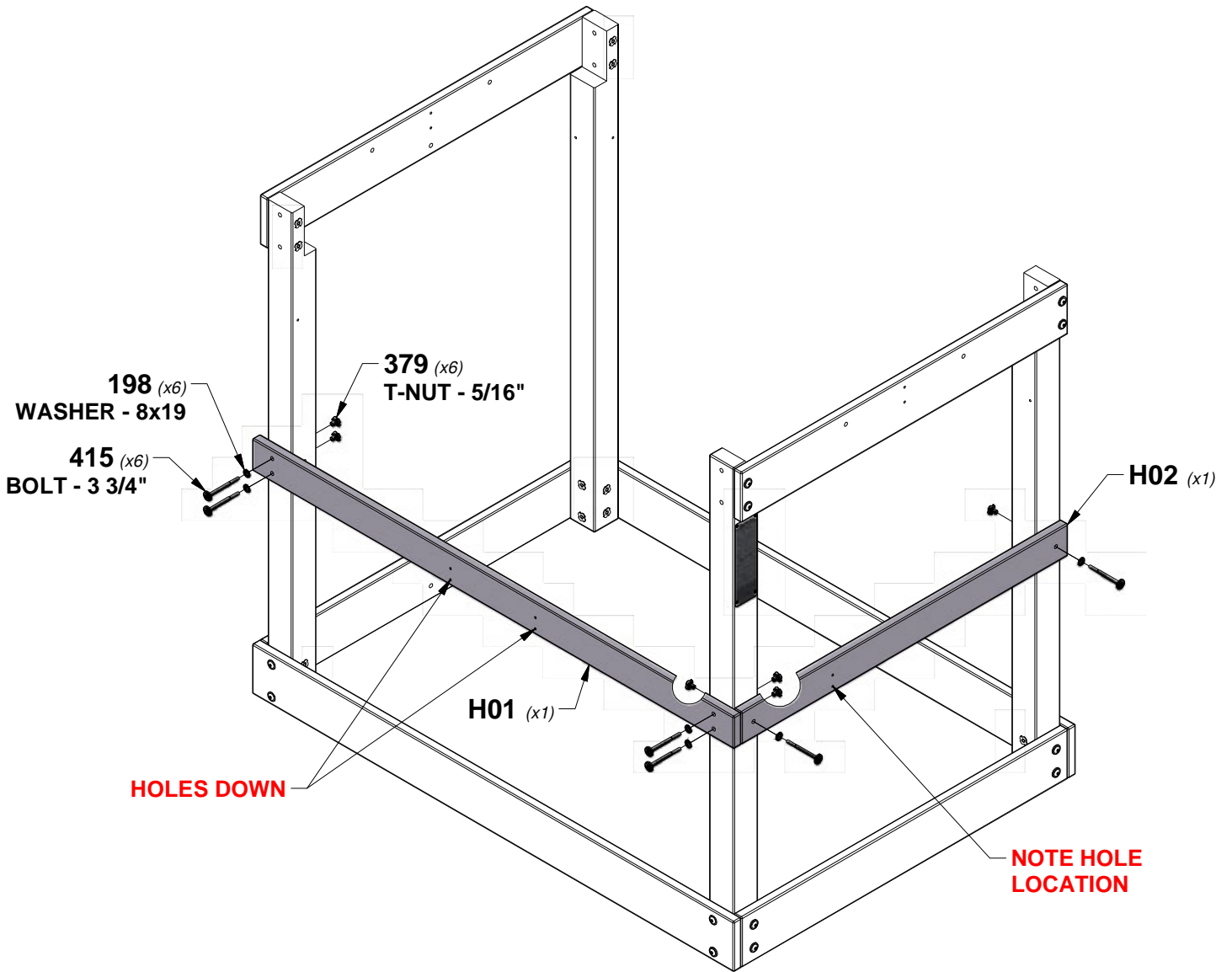


H01 COUNTERTOP RAIL - W4L18240
(x1) 1"x3 3/8"x59" (24x86x1498)



H02 WALL RAIL - W4L18245
(x1) 1"x3 3/8"x40" (24x86x1017)

TIP:
INSTALL T-NUTS IN WOOD FIRST



STEP 5 - FORT ASSEMBLY



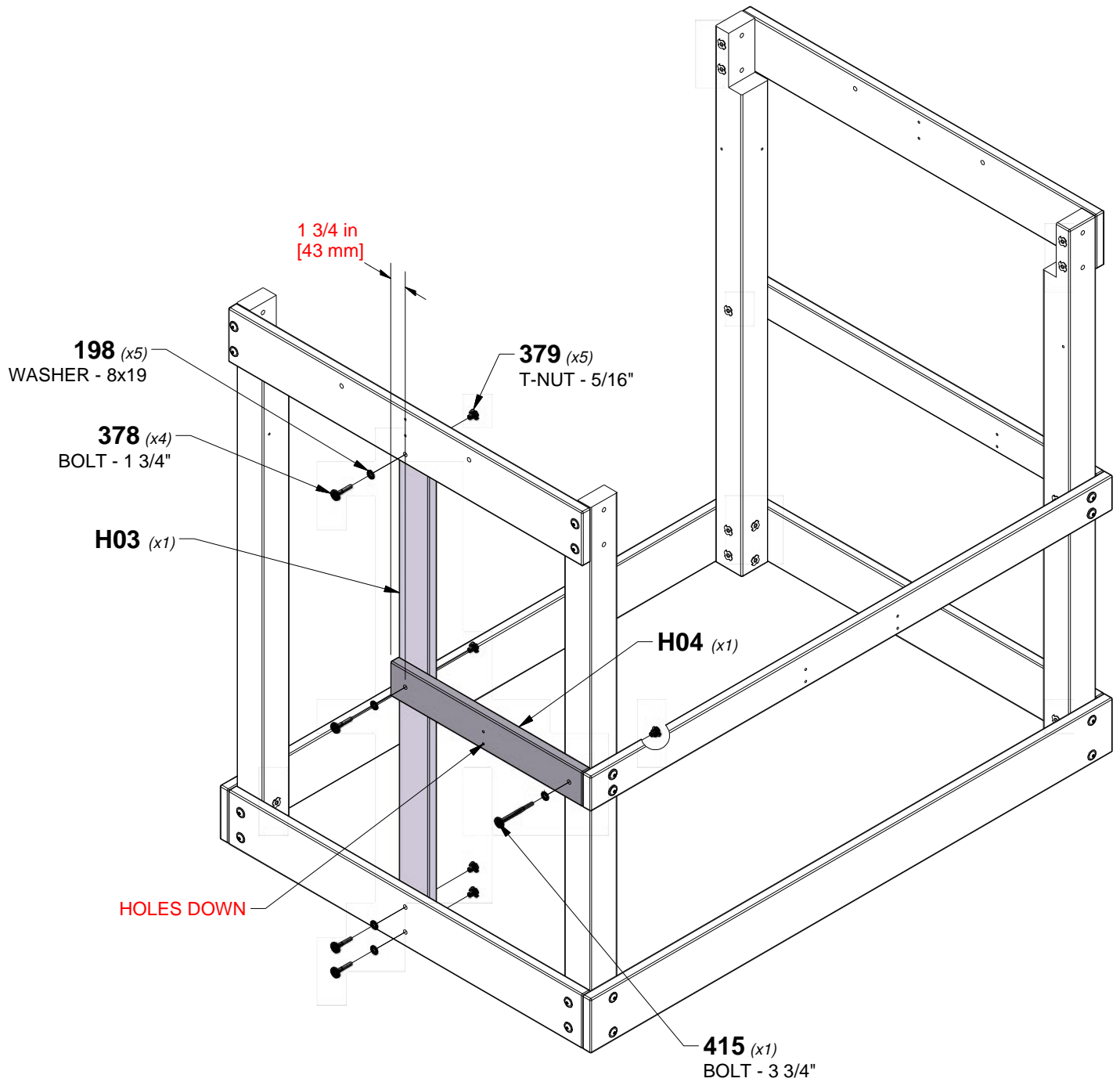
H03 WALL UPRIGHT - W4L18246
(x1) 1"x3 3/8"x49" (24x86x1244)



H04 WALL RAIL - W4L18247
(x1) 1"x3 3/8"x21 3/4" (24x86x551)

QTY	PART NUMBER	DESCRIPTION
5	H100198	WASHER LOCK EXT 8x19 BLK
4	H100378	BOLT WH 5/16x1 3/4 BLK
5	H100379	T-NUT 5/16 BLK
1	H100415	BOLT WH 5/16x3 3/4 BLK

TIP:
INSTALL T-NUTS IN WOOD FIRST

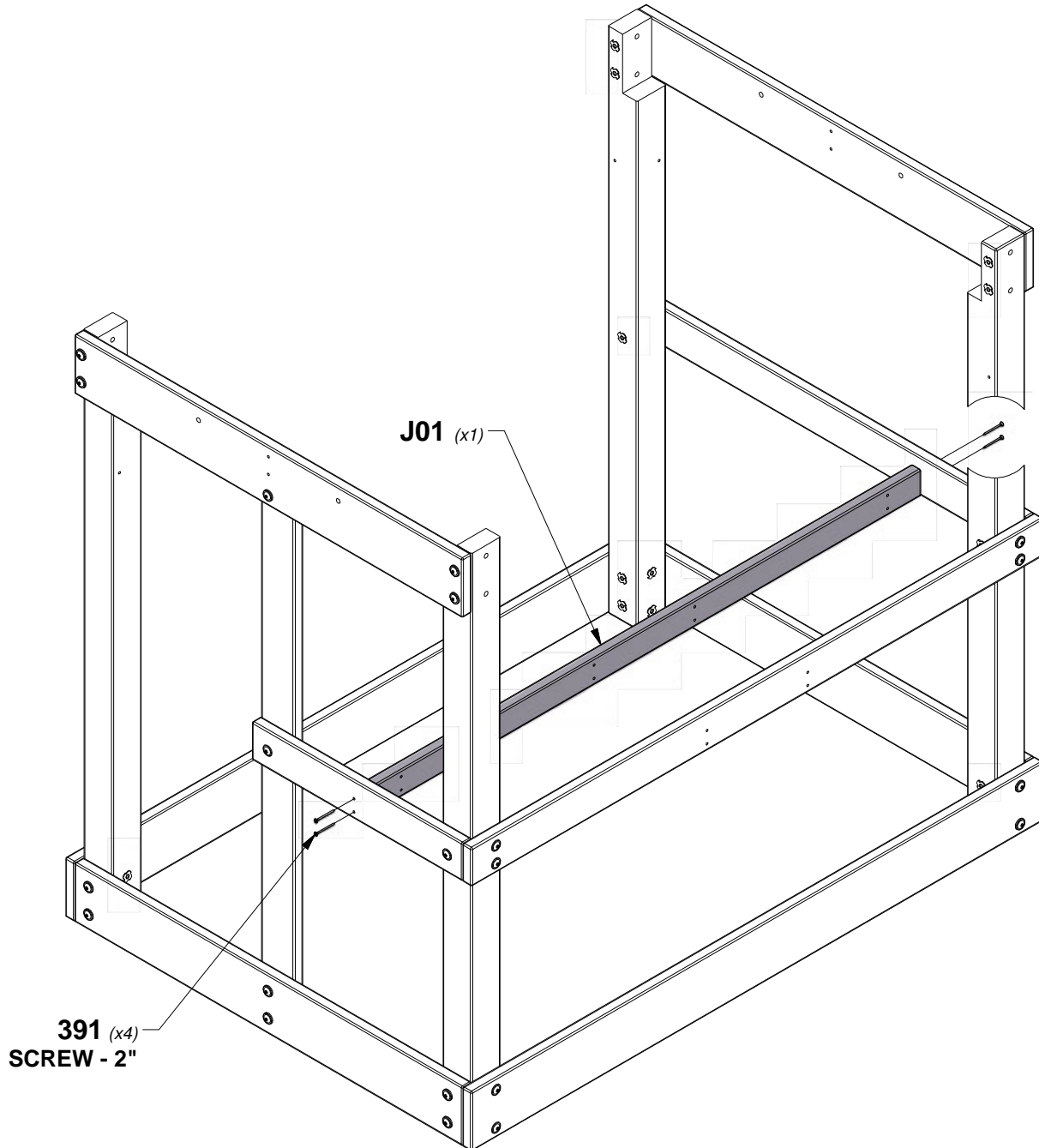


STEP 6 - FORT ASSEMBLY

QTY	PART NUMBER	DESCRIPTION
4	H100391	SCREW PFH 8x2 BLK

J01 COUNTERTOP RAIL - W4L18248
(x1) 1"x2 3/8"x57 1/8" (24x60x1450)

TIP:
ALIGN PILOT HOLES ON BOTH ENDS

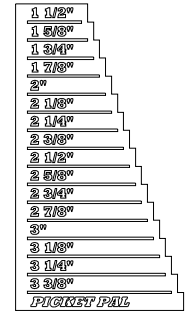
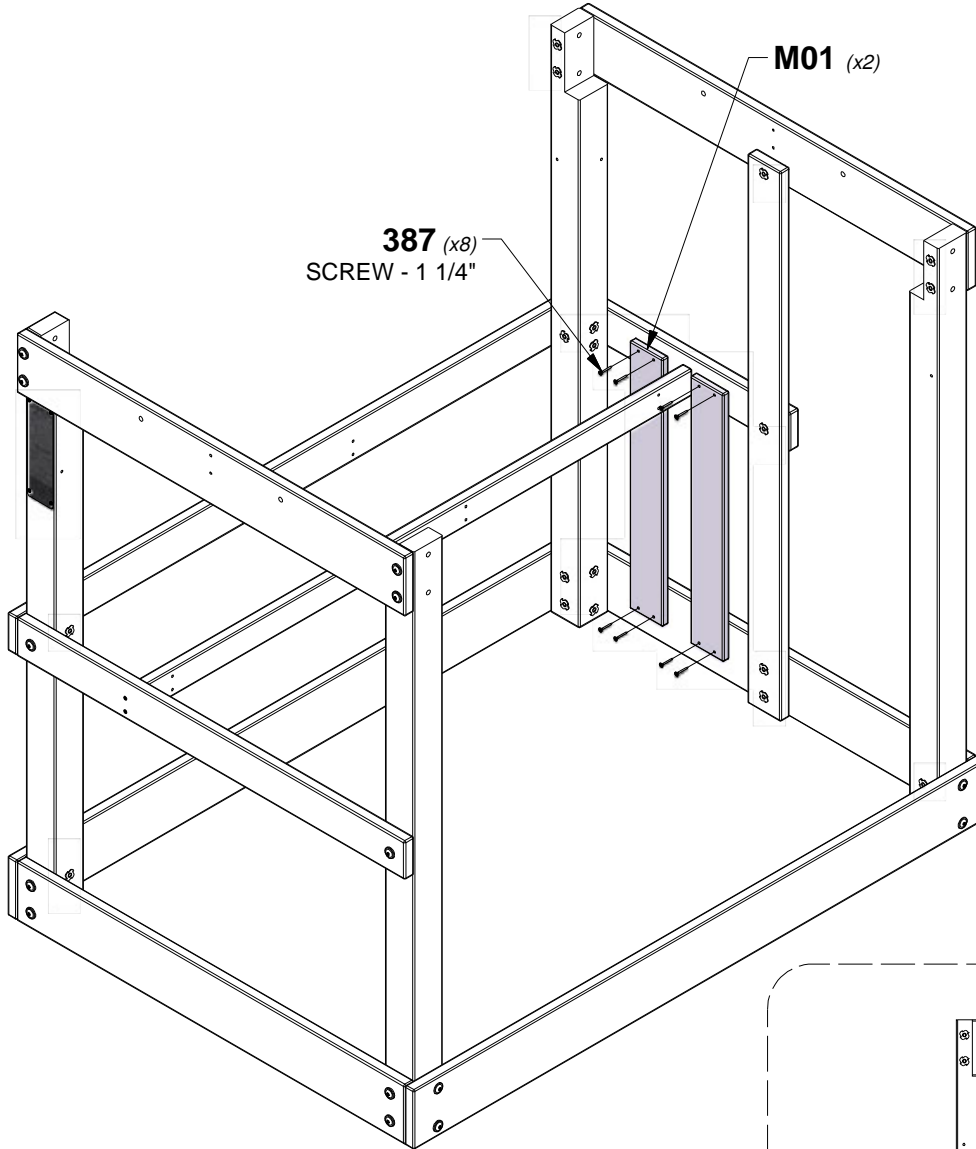


STEP 7 - FORT ASSEMBLY

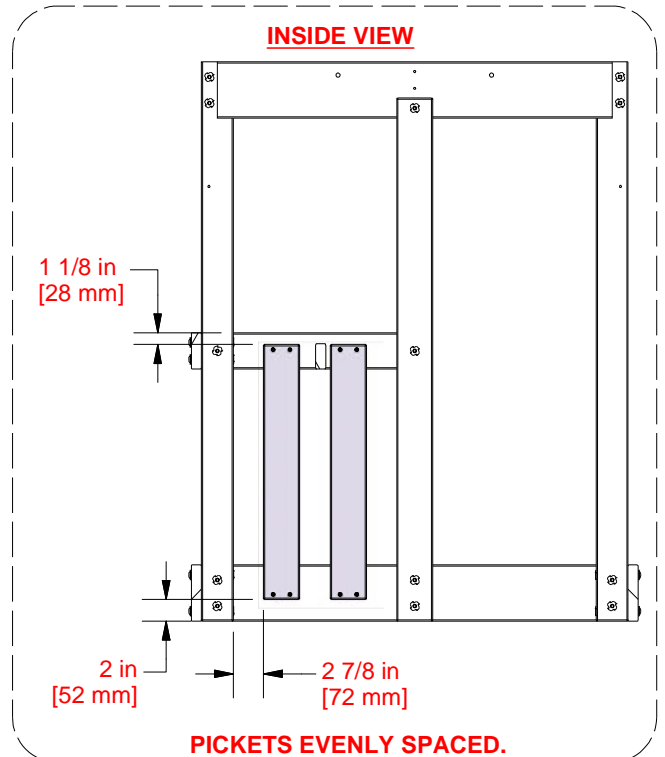
QTY	PART NUMBER	DESCRIPTION
8	H100387	SCREW PFH 8x1 1/4 BLK



M01 PICKET - W4L18251
 (x2) 5/8"x3 3/8"x23 7/8" (16x86x606)



A6P00410 PICKET PAL
 (x1)

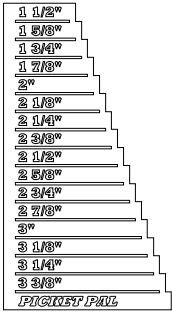


STEP 8 - FORT ASSEMBLY

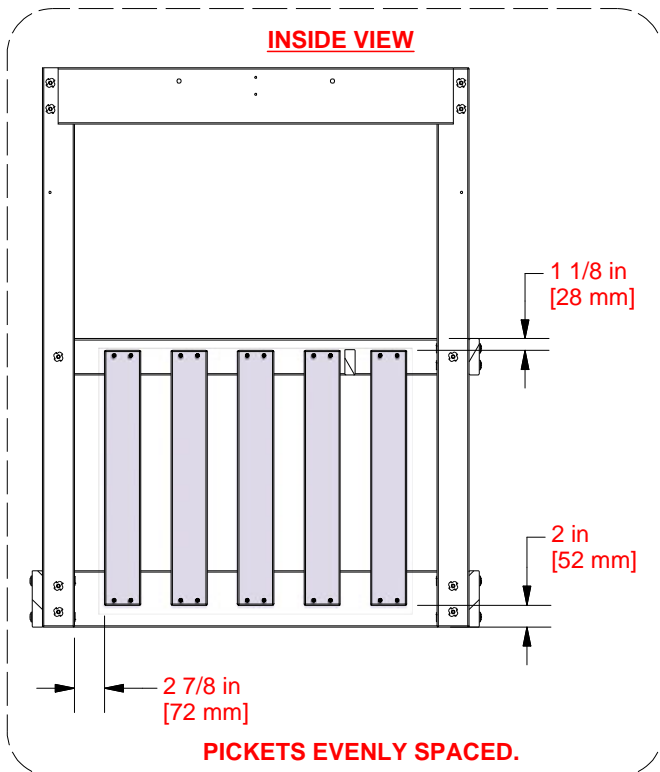
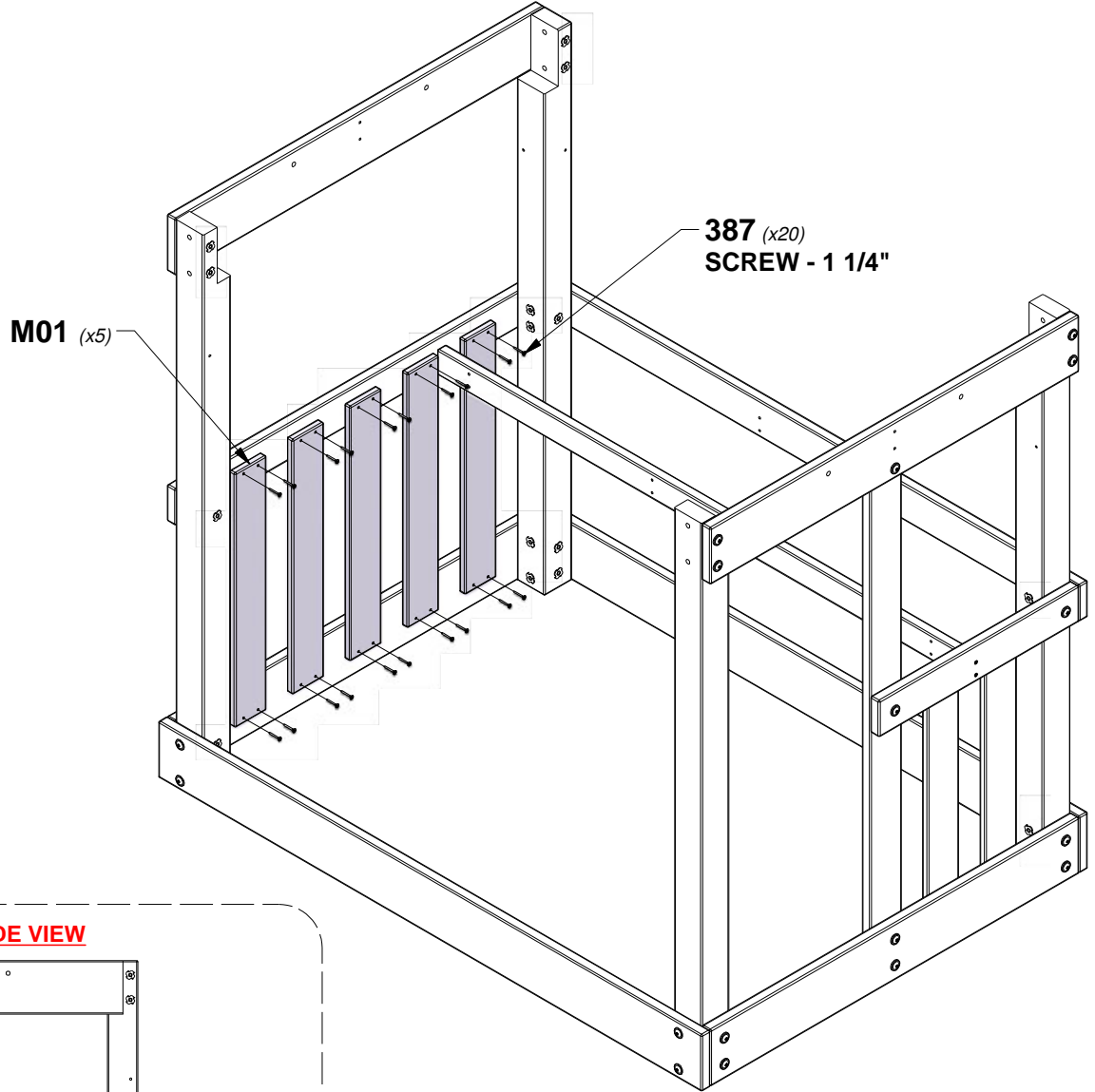
QTY	PART NUMBER	DESCRIPTION
20	H100387	SCREW PFH 8x1 1/4 BLK



M01 PICKET - W4L18251
 (x5) 5/8"x3 3/8"x23 7/8" (16x86x606)



A6P00410 PICKET PAL
 (x1)



STEP 9 - FORT ASSEMBLY

QTY	PART NUMBER	DESCRIPTION
16	H100391	SCREW PFH 8x2 BLK

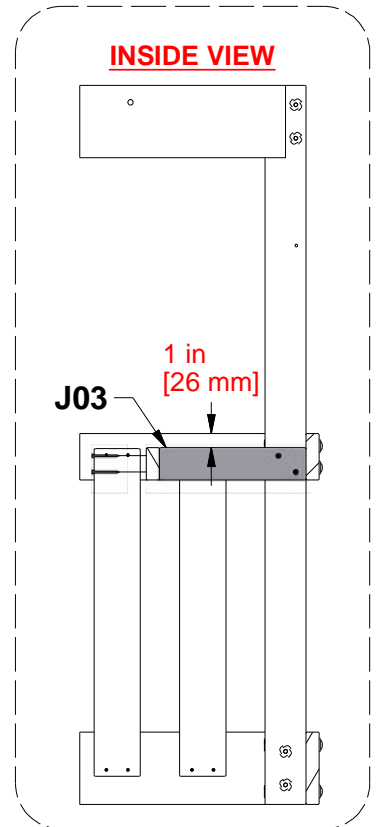
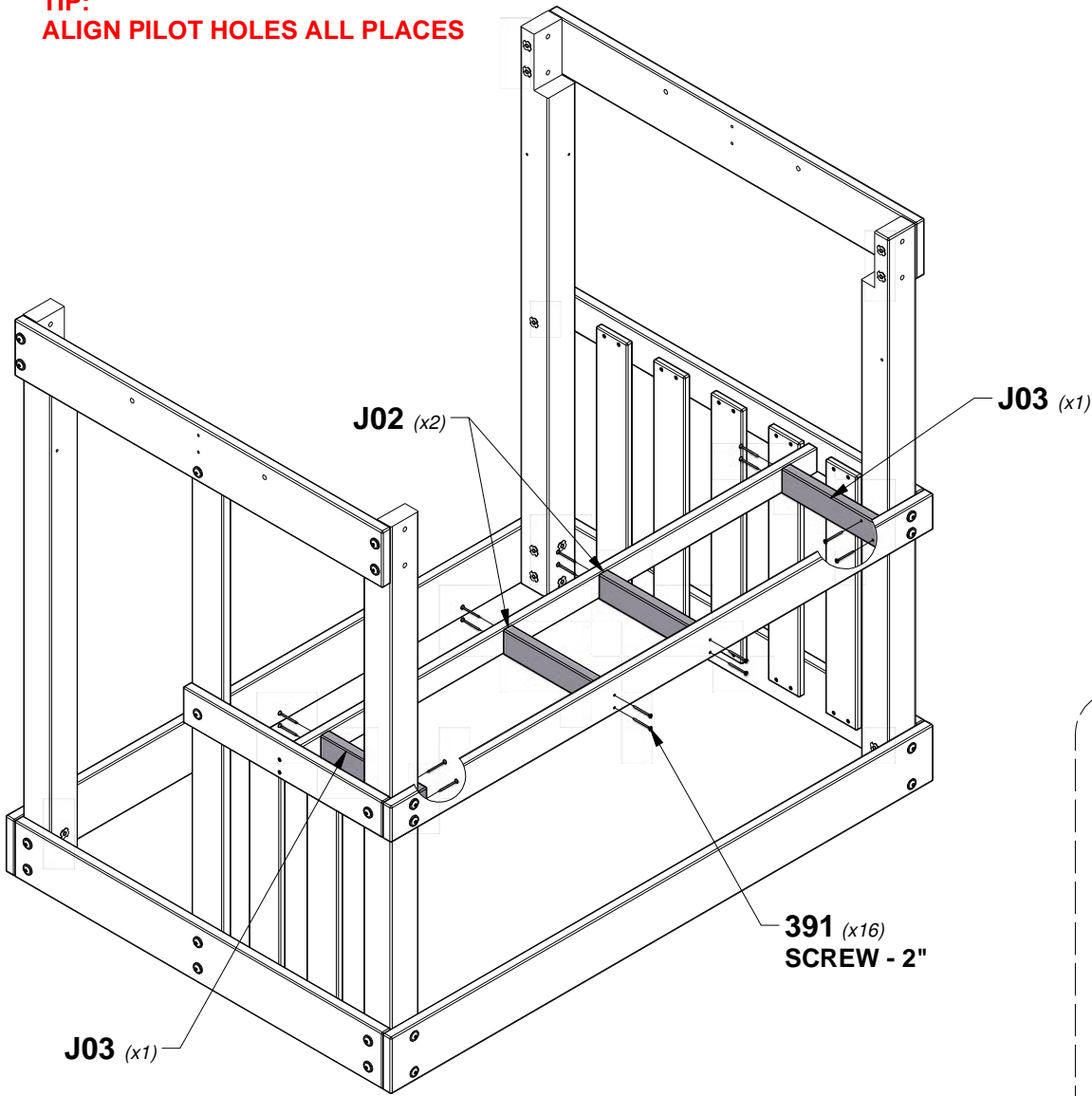


J02 COUNTERTOP RAIL - W4L18249
(x2) 1"x2 3/8"x10 3/4" (24x60x272)



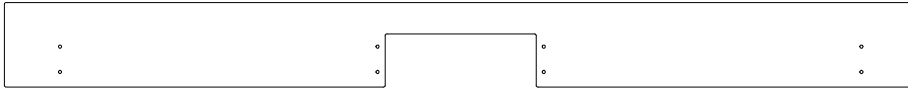
J03 COUNTERTOP RAIL - W4L18250
(x2) 1"x2 3/8"x10 3/4" (24x60x272)

TIP:
ALIGN PILOT HOLES ALL PLACES

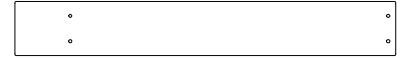


STEP 10 - FORT ASSEMBLY

QTY	PART NUMBER	DESCRIPTION
22	H100200	SCREW PFH 8x1 1/2 BLK



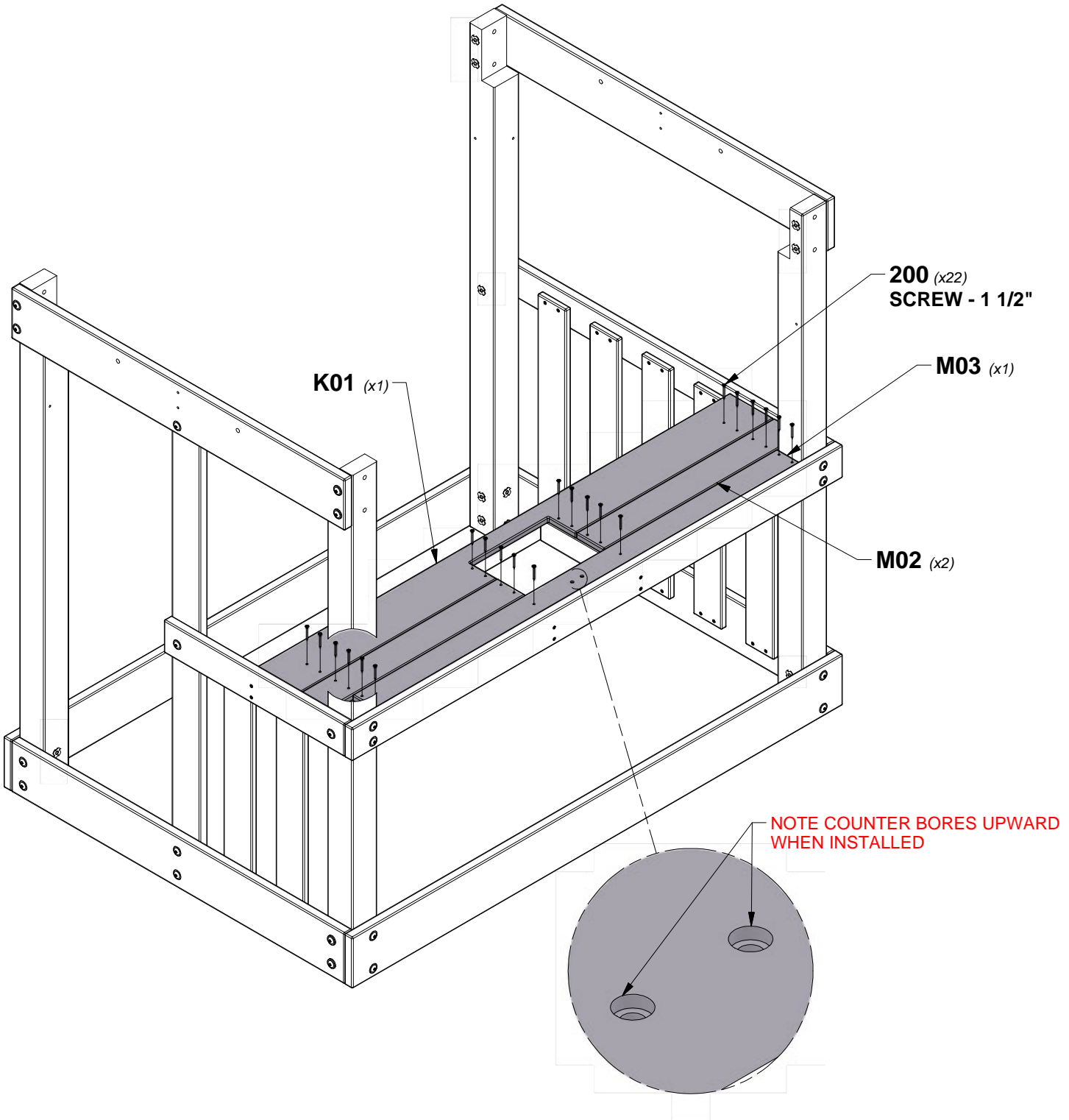
K01 COUNTERTOP BOARD - W4L18254
(x1) 5/8"x5 1/4"x57" (16x134x1449)



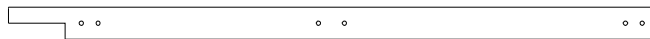
M02 COUNTERTOP BOARD - W4L18252
(x2) 5/8"x3 3/8"x23 7/8" (16x86x605)



M03 COUNTERTOP BOARD - W4L18253
(x1) 5/8"x3"x51 1/8" (16x76x1297)



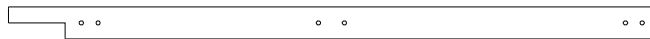
STEP 11 - FORT ASSEMBLY



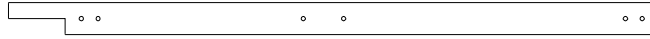
B05 POST - W4L18265
(x1) 3"x3"x60 3/8" (76x76x1532)



B06 POST - W4L18266
(x1) 3"x3"x60 3/8" (76x76x1532)



B07 POST - W4L18267
(x1) 3"x3"x60 3/8" (76x76x1532)

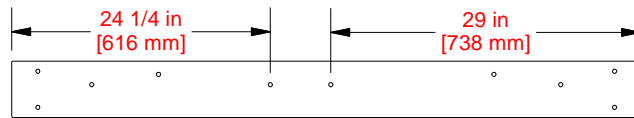


B08 POST - W4L18268
(x1) 3"x3"x60 3/8" (76x76x1532)

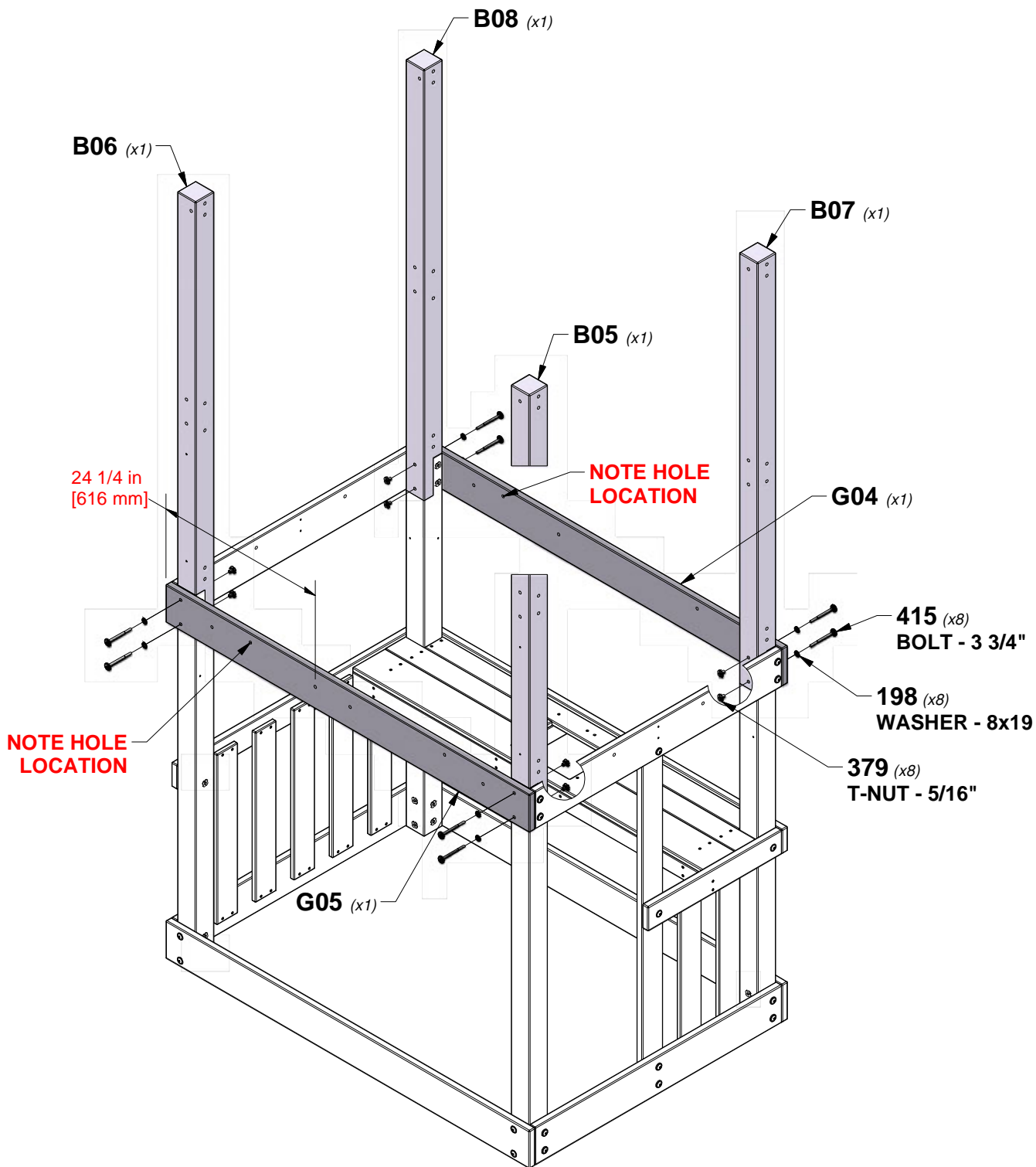
QTY	PART NUMBER	DESCRIPTION
8	H100198	WASHER LOCK EXT 8x19 BLK
8	H100379	T-NUT 5/16 BLK
8	H100415	BOLT WH 5/16x3 3/4 BLK



G04 FLOOR RAIL - W4L18255
(x1) 1"x5 1/4"x59" (24x134x1498)



G05 FLOOR RAIL - W4L18256
(x1) 1"x5 1/4"x59" (24x134x1498)



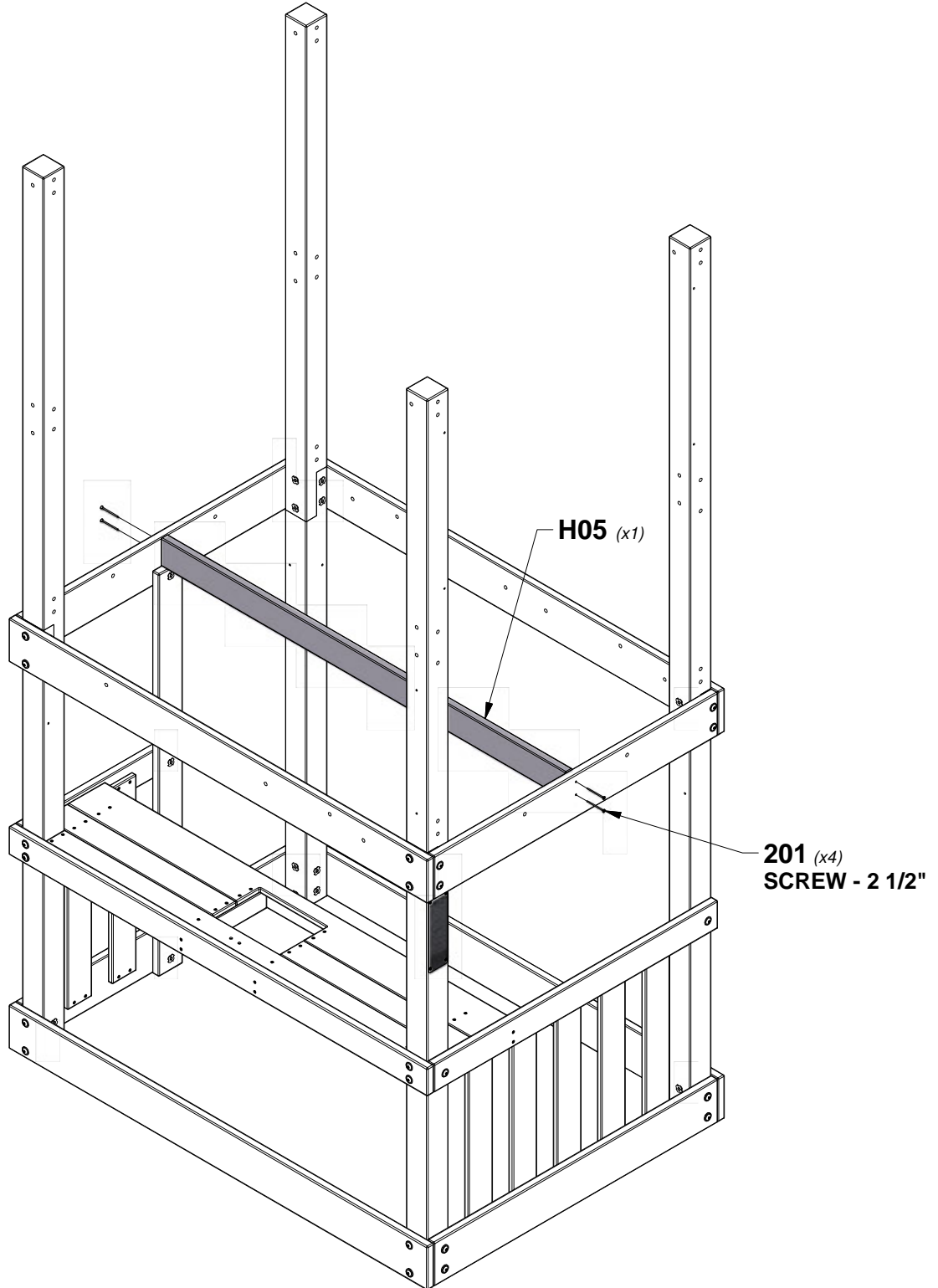
STEP 12 - FORT ASSEMBLY

QTY	PART NUMBER	DESCRIPTION
4	H100201	SCREW PFH 8x2 1/2 BLK



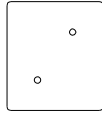
H05 FLOOR JOIST - W4L18259
(x1) 1"x3 3/8"x57 1/8" (24x86x1450)

TIP:
ALIGN PILOT HOLES ON BOTH ENDS

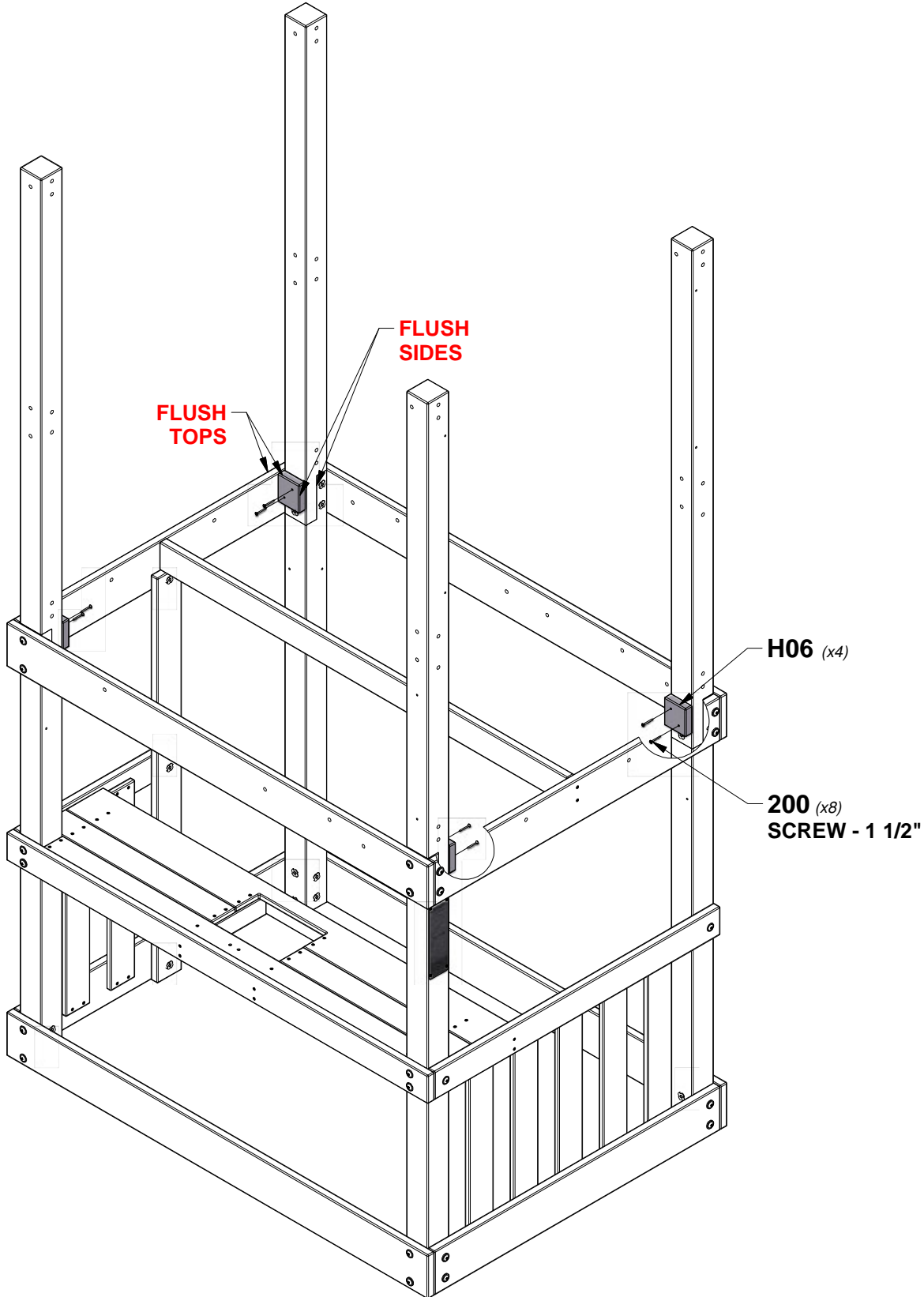


STEP 13 - FORT ASSEMBLY

QTY	PART NUMBER	DESCRIPTION
8	H100200	SCREW PFH 8x1 1/2 BLK



H06 FLOOR BLOCK - W4L18260
(x4) 1"x3"x3 3/8" (24x76x86)



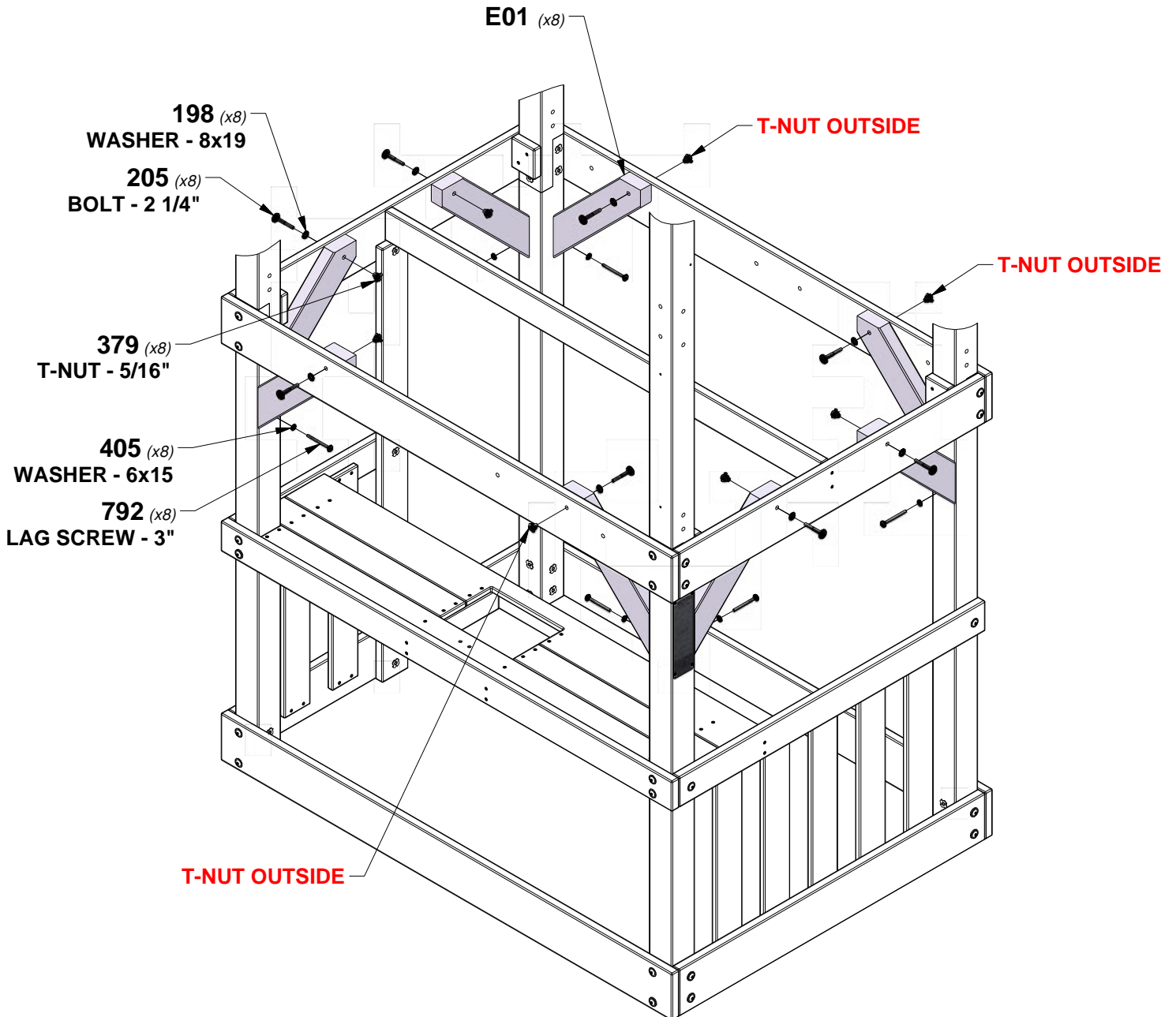
STEP 14 - FORT ASSEMBLY



E01 ANGLE BRACE - W4L18261
 (x8) 1 7/16"x3 3/8"x17 1/2" (36x86x444)

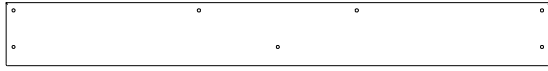
QTY	PART NUMBER	DESCRIPTION
8	H100198	WASHER LOCK EXT 8x19 BLK
8	H100205	BOLT WH 5/16x2 1/4 BLK
8	H100379	T-NUT 5/16 BLK
8	H100405	WASHER LOCK EXT 6x15 BLK
8	H100792	LAG SCREW WH 1/4x3 BLK

TIP:
INSTALL T-NUTS IN WOOD FIRST

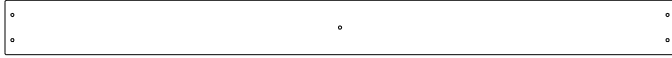


STEP 15 - FORT ASSEMBLY

QTY	PART NUMBER	DESCRIPTION
89	H100200	SCREW PFH 8x1 1/2 BLK

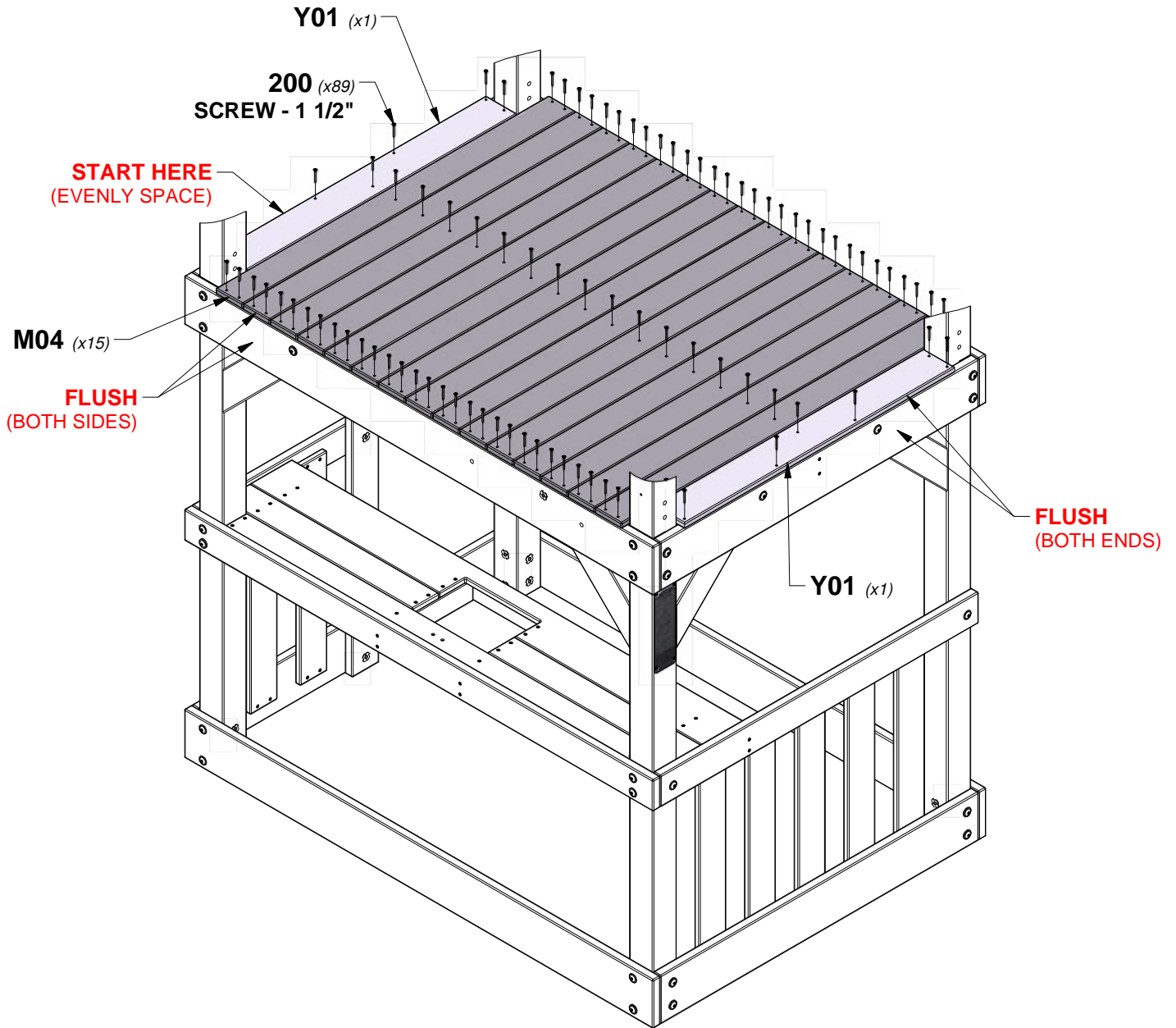


Y01 FLOOR BOARD - W4L18262
(x2) 5/8"x3 7/8"x34" (16x100x864)



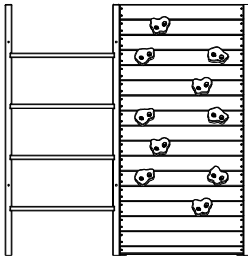
M04 FLOOR BOARD - W4L18263
(x15) 5/8"x3 3/8"x41 7/8" (16x86x1065)

NOTE:
ENSURE THAT PILOT HOLES ARE ALIGNED
OVER FLOOR JOISTS.



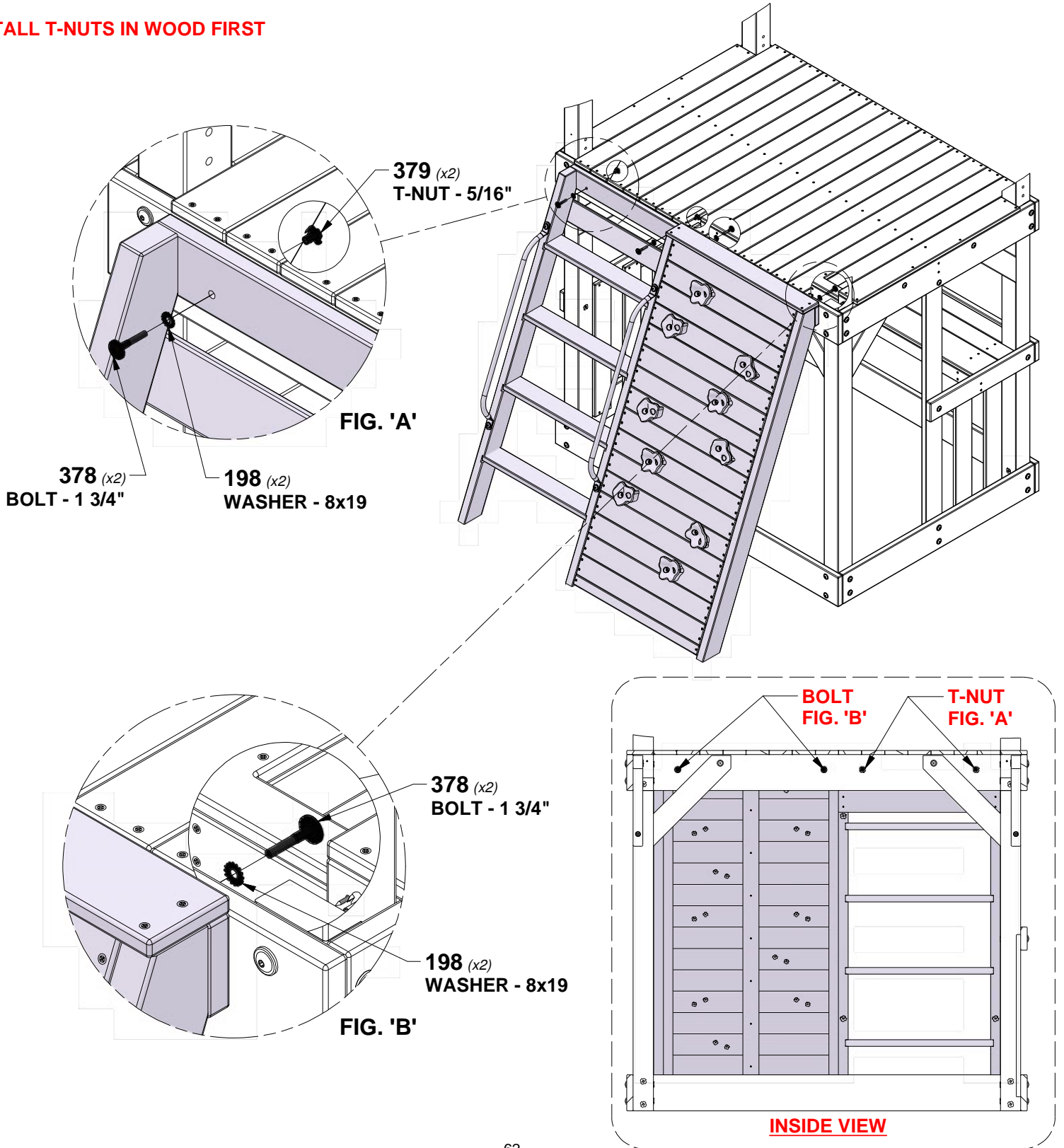
STEP 16 - FORT ASSEMBLY

QTY	PART NUMBER	DESCRIPTION
4	H100198	WASHER LOCK EXT 8x19 BLK
4	H100378	BOLT WH 5/16x1 3/4 BLK
2	H100379	T-NUT 5/16 BLK



(x1) LADDER & ROCKWALL COMBO ASSEMBLY

TIP:
INSTALL T-NUTS IN WOOD FIRST



STEP 17 - FORT ASSEMBLY

QTY	PART NUMBER	DESCRIPTION
8	H100198	WASHER LOCK EXT 8x19 BLK
8	H100379	T-NUT 5/16 BLK
8	H100415	BOLT WH 5/16x3 3/4 BLK

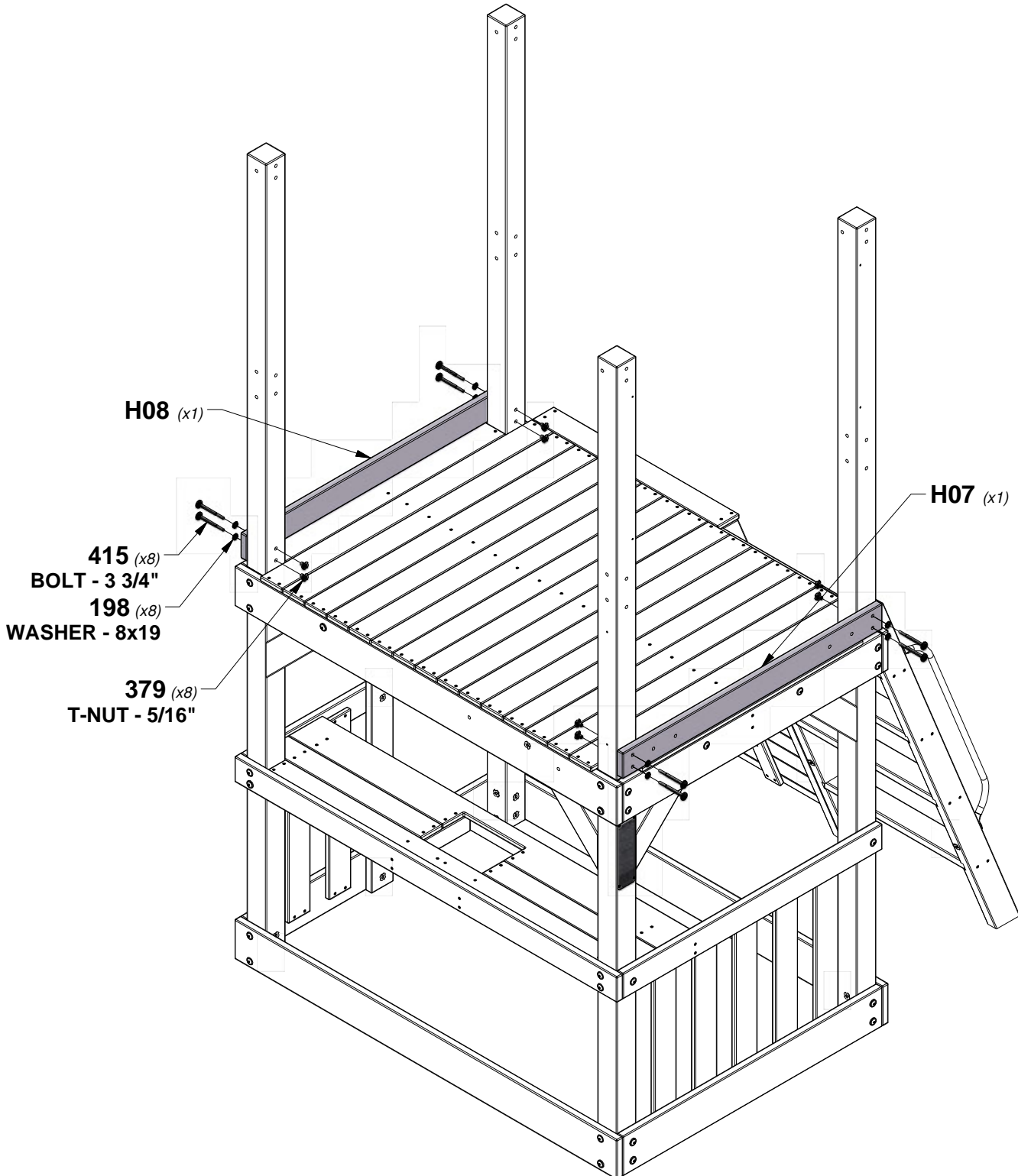


H07 WALL RAIL - W4L18264
(x1) 1"x3 3/8"x40" (24x86x1017)



H08 WALL RAIL - W4L18269
(x1) 1"x3 3/8"x40" (24x86x1017)

TIP:
INSTALL T-NUTS IN WOOD FIRST



H08 (x1)

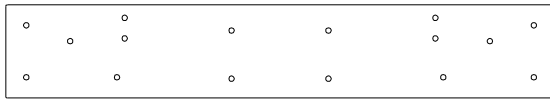
H07 (x1)

415 (x8)
BOLT - 3 3/4"
198 (x8)
WASHER - 8x19

379 (x8)
T-NUT - 5/16"

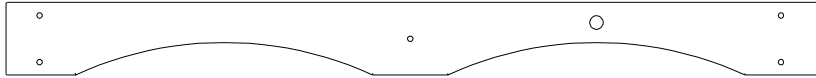
STEP 18 - FORT ASSEMBLY

TOP



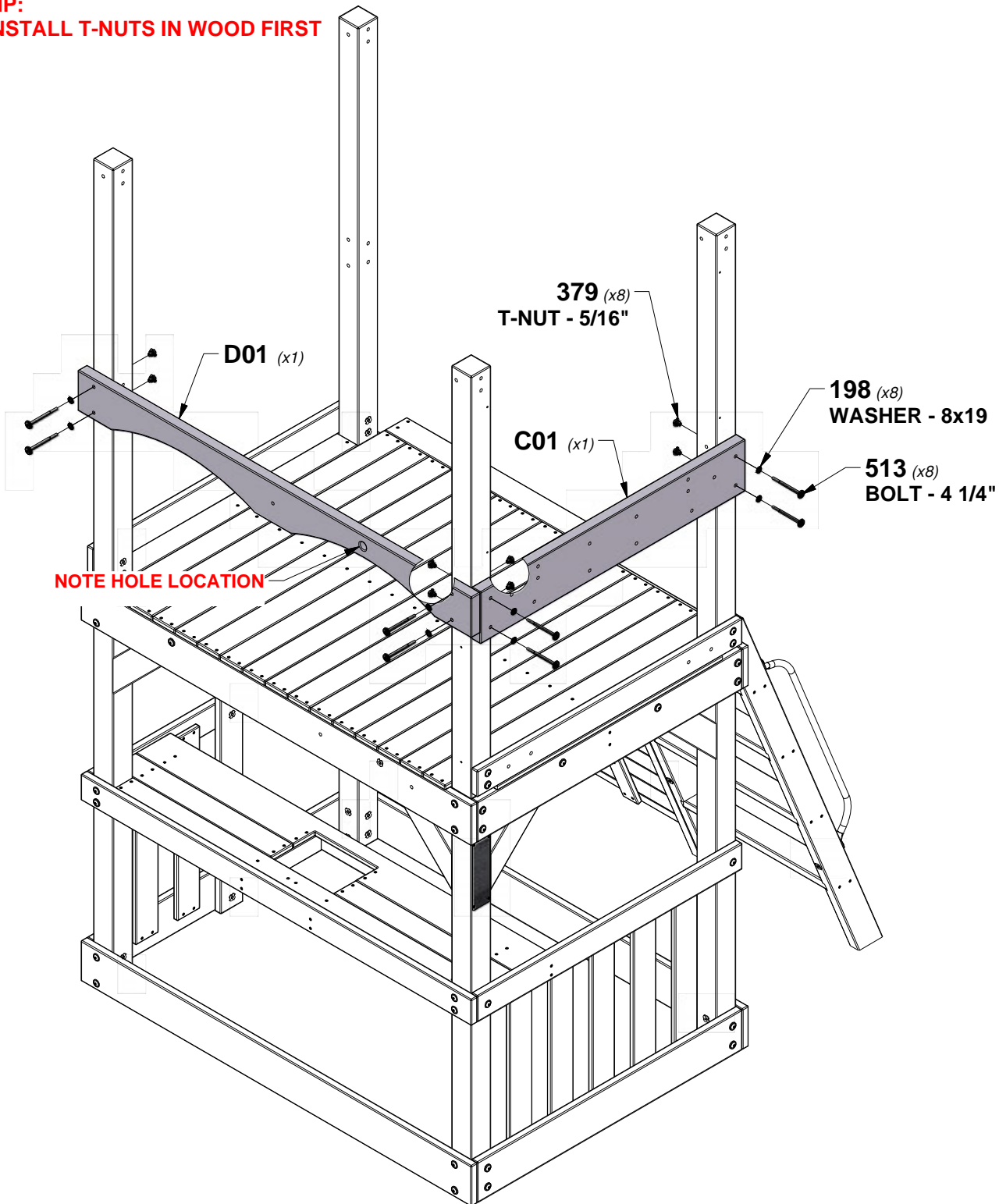
C01 TOP SWING BEAM RAIL - W4L18273
(x1) 1 3/8"x6 3/4"x40" (36x172x1017)

QTY	PART NUMBER	DESCRIPTION
8	H100513	BOLT WH 5/16x4 1/4 BLK
8	H100198	WASHER LOCK EXT 8x19 BLK
8	H100379	T-NUT 5/16 BLK



D01 FRONT ARCHED RAIL - W4L18270
(x1) 1 3/8"x5 1/4"x59 1/2" (36x134x1510)

TIP:
INSTALL T-NUTS IN WOOD FIRST

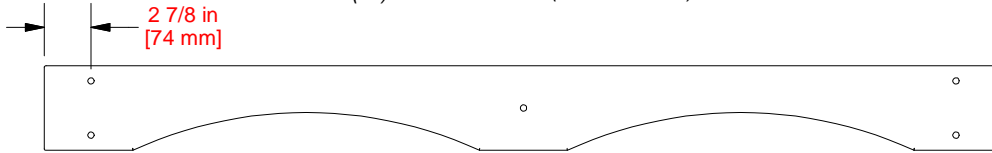


STEP 19 - FORT ASSEMBLY

QTY	PART NUMBER	DESCRIPTION
8	H100198	WASHER LOCK EXT 8x19 BLK
8	H100379	T-NUT 5/16 BLK
8	H100415	BOLT WH 5/16x3 3/4 BLK

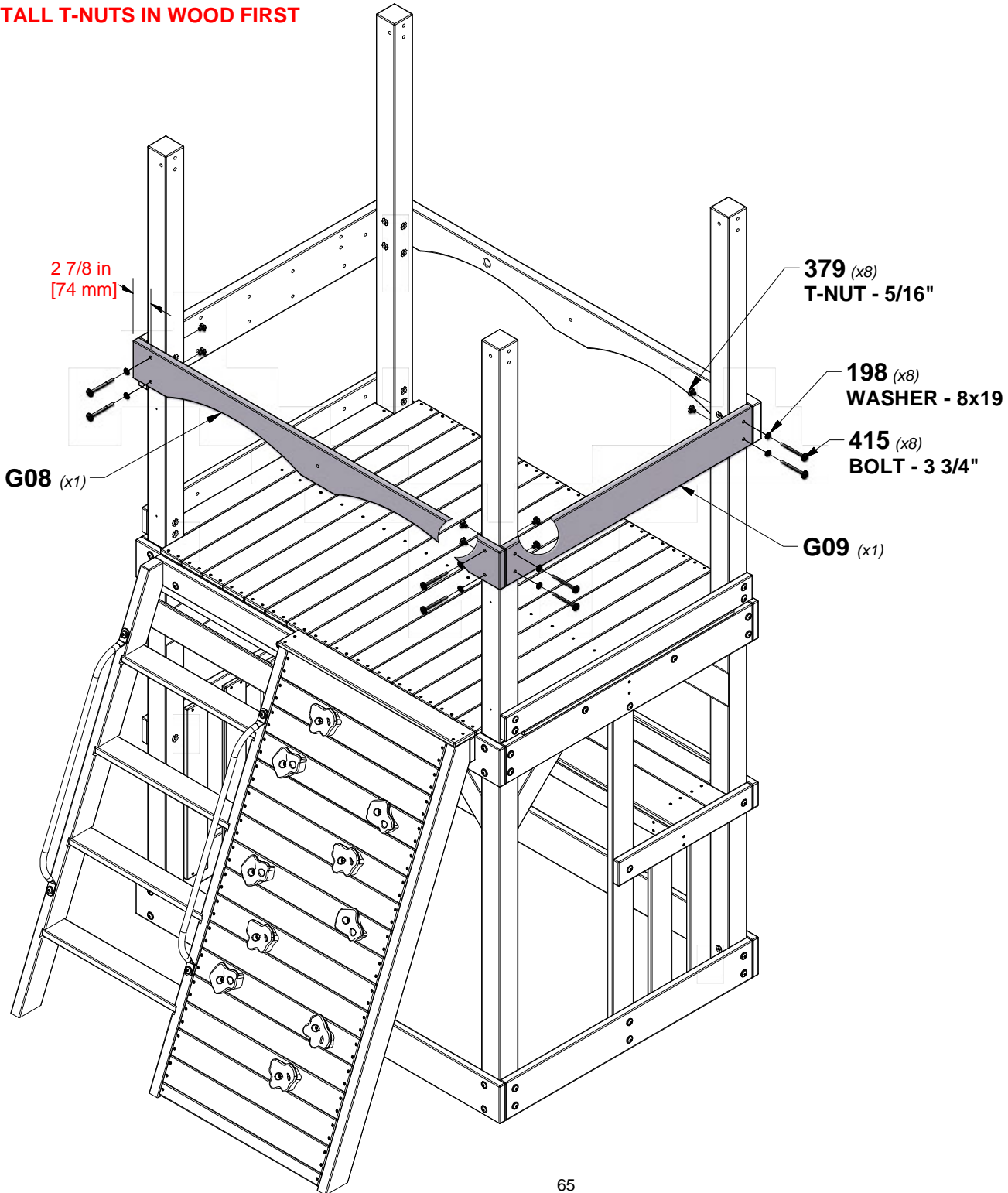


G09 WALL RAIL - W4L18272
(x1) 1"x5 1/4"x40" (24x134x1017)



G08 BACK ARCHED RAIL - W4L18271
(x1) 1"x5 1/4"x59 1/2" (24x134x1510)

TIP:
INSTALL T-NUTS IN WOOD FIRST

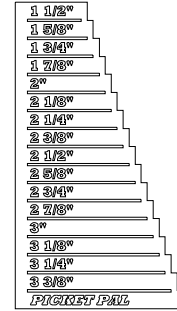
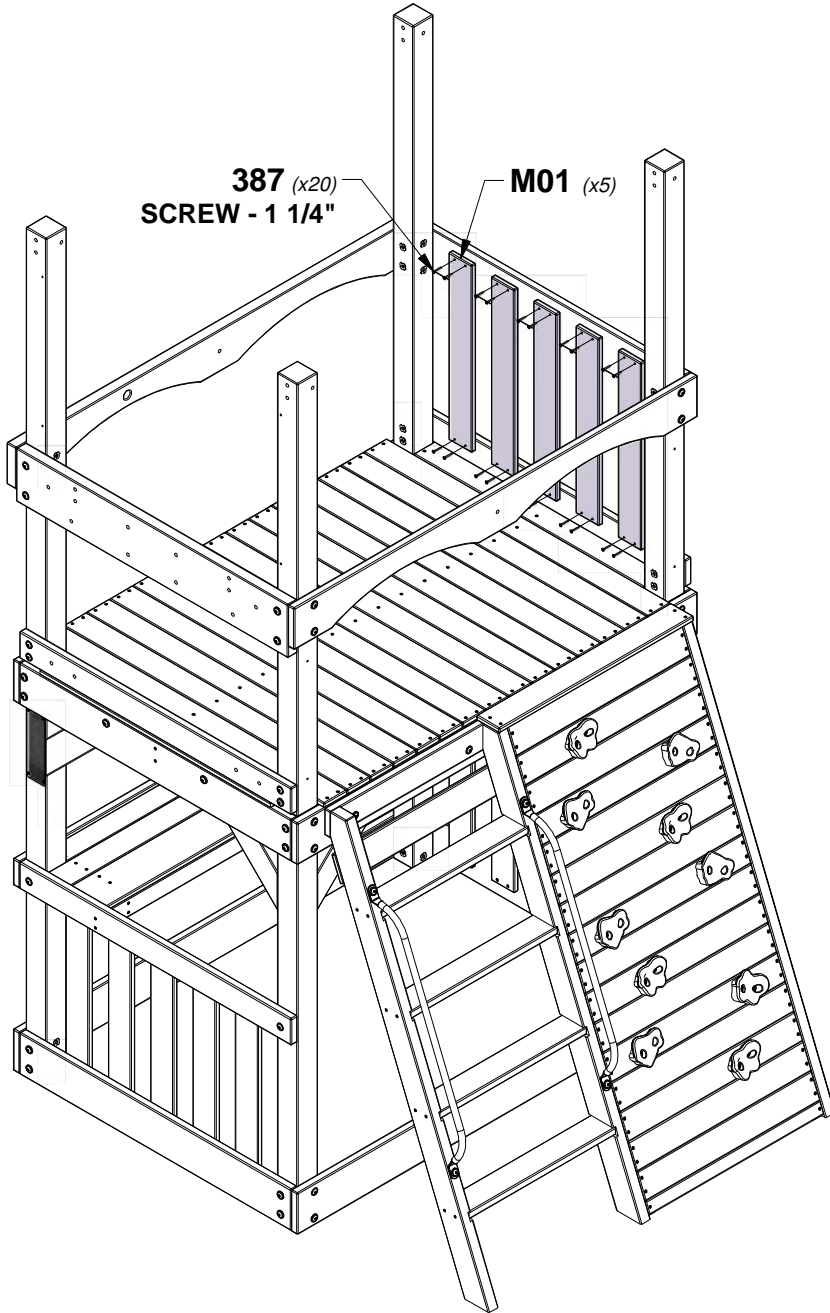


STEP 20 - FORT ASSEMBLY

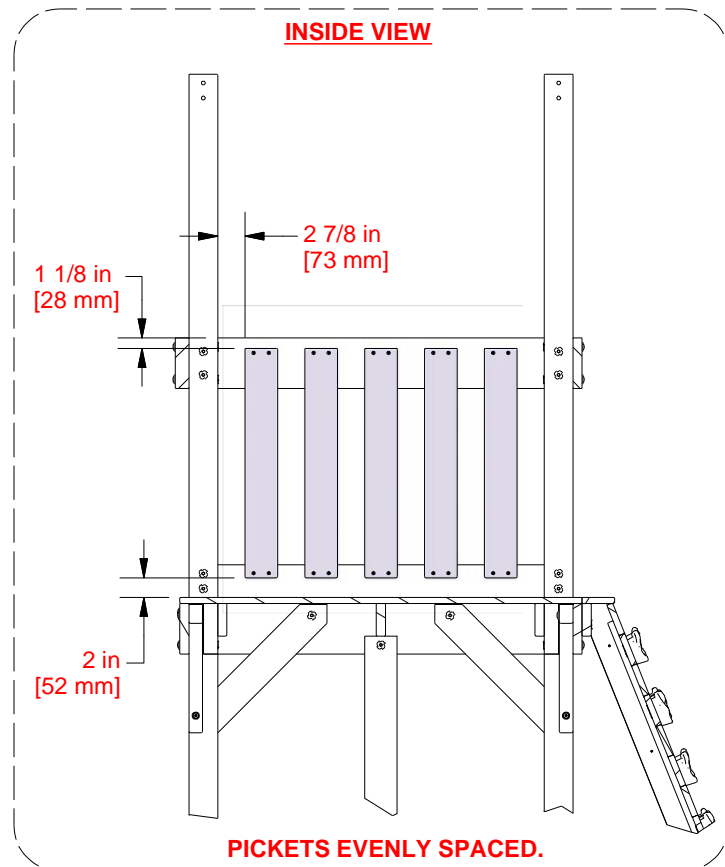
QTY	PART NUMBER	DESCRIPTION
20	H100387	SCREW PFH 8x1 1/4 BLK



M01 PICKET - W4L18251
(x5) 5/8"x3 3/8"x23 7/8" (16x86x606)



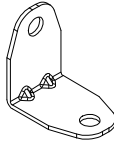
A6P00410 PICKET PAL
(x1)



STEP 21 - FORT ASSEMBLY



H09 WALL BOARD - W4L18274
(x1) 1"x3 3/8"x25 5/8" (24x86x650)

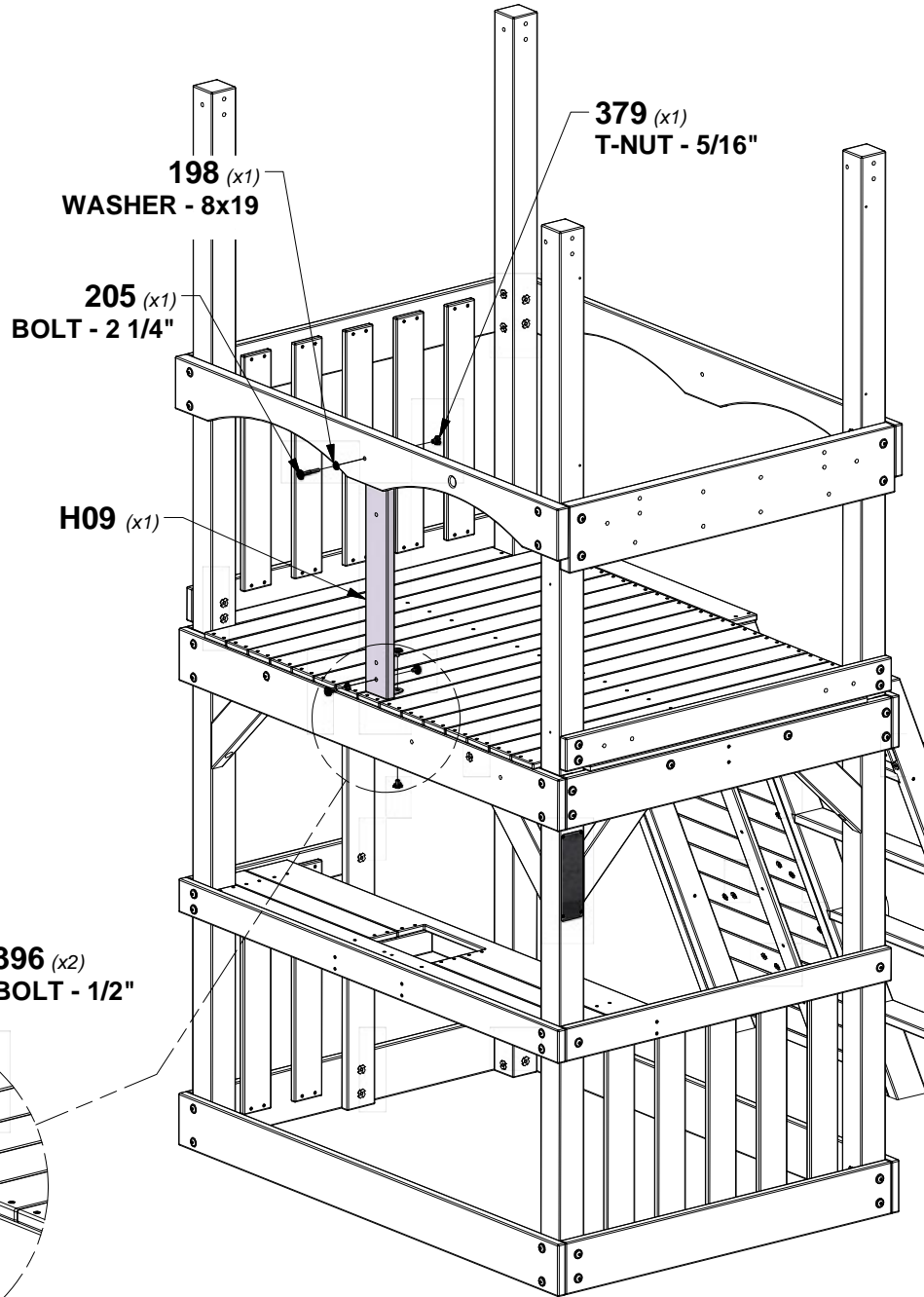
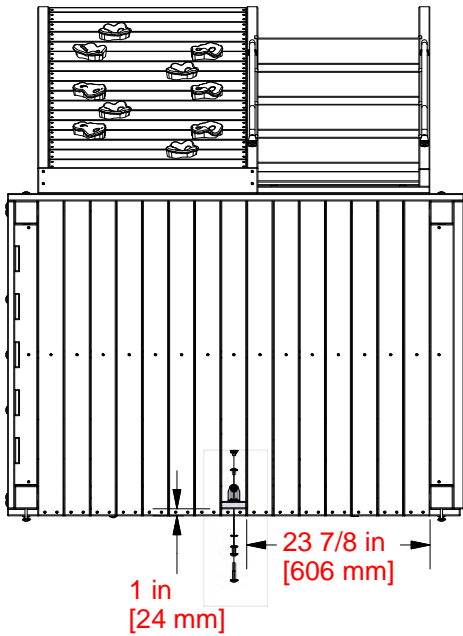


A4M01047 L BRACKET 2.5x38x55x55
(x1)

QTY	PART NUMBER	DESCRIPTION
1	H100205	BOLT WH 5/16x2 1/4 BLK
1	H100198	WASHER LOCK EXT 8x19 BLK
2	H100379	T-NUT 5/16 BLK
2	H100396	BOLT WH 5/16x1/2 BLK
1	H100199	WASHER LOCK EXT 12x19 BLK
1	H100192	NUT BARREL WH 5/16x7/8 BLK

TIP:
INSTALL T-NUTS IN WOOD FIRST

TOP VIEW



199 (x1)
WASHER - 12x19

192 (x1)
NUT BARREL - 7/8"

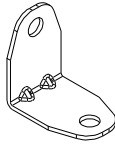
396 (x2)
BOLT - 1/2"

1047 (x1)
L BRACKET 2.5x38x55x55

379 (x1)
T-NUT - 5/16"

USING BRACKET AS A GUIDE, DRILL (1) 3/8" [10mm] HOLE THRU DECK FOR HARDWARE.

STEP 22 - FORT ASSEMBLY



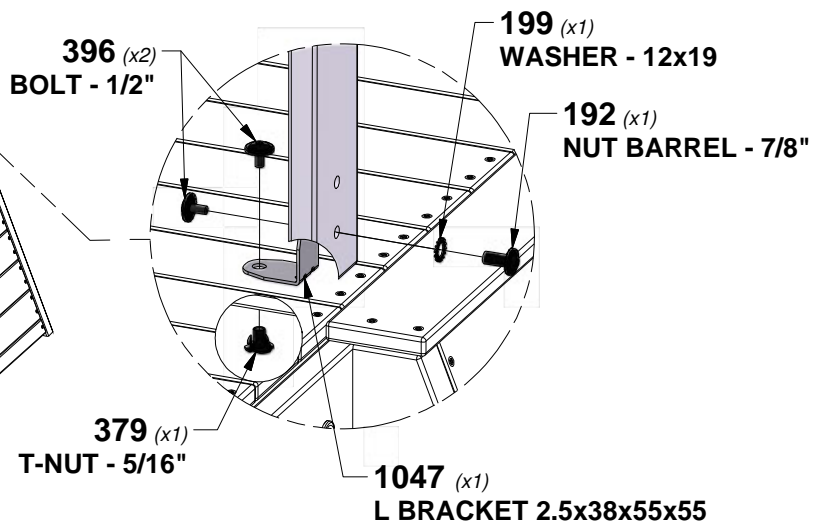
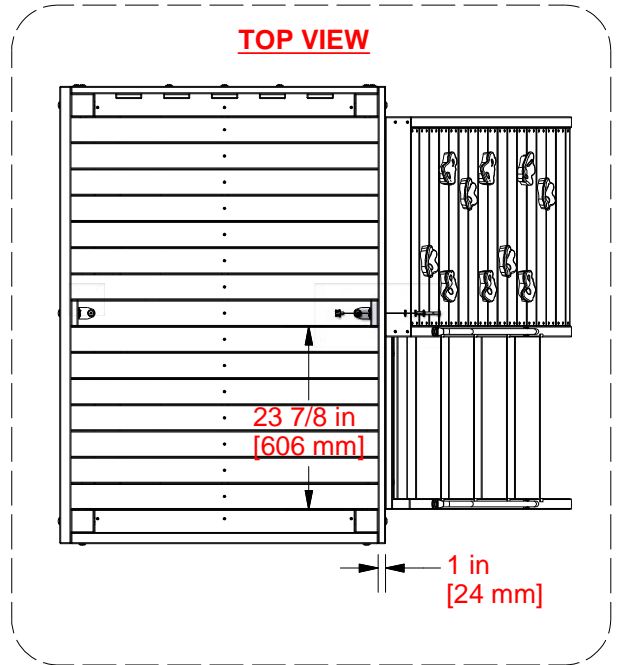
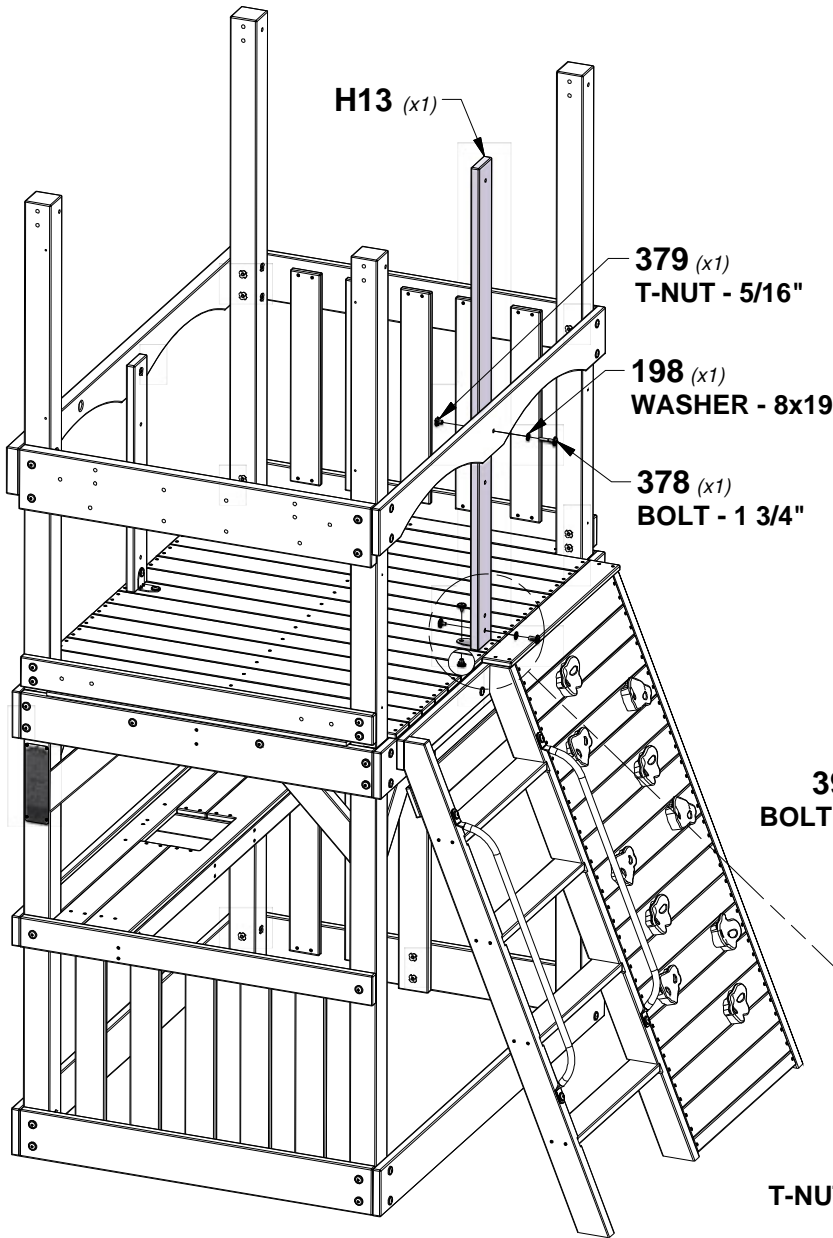
A4M01047
(x1) **L BRACKET 2.5x38x55x55**

QTY	PART NUMBER	DESCRIPTION
1	H100378	BOLT WH 5/16x1 3/4 BLK
1	H100198	WASHER LOCK EXT 8x19 BLK
2	H100379	T-NUT 5/16 BLK
2	H100396	BOLT WH 5/16x1/2 BLK
1	H100199	WASHER LOCK EXT 12x19 BLK
1	H100192	NUT BARREL WH 5/16x7/8 BLK



H13 WALL BOARD - W4L18282
(x1) 1"x3 3/8"x54 3/8" (24x86x1382)

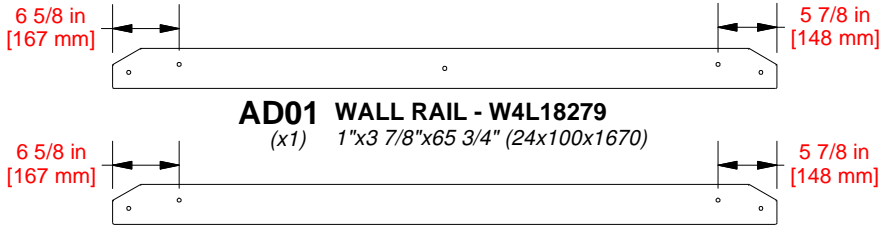
TIP:
INSTALL T-NUTS IN WOOD FIRST



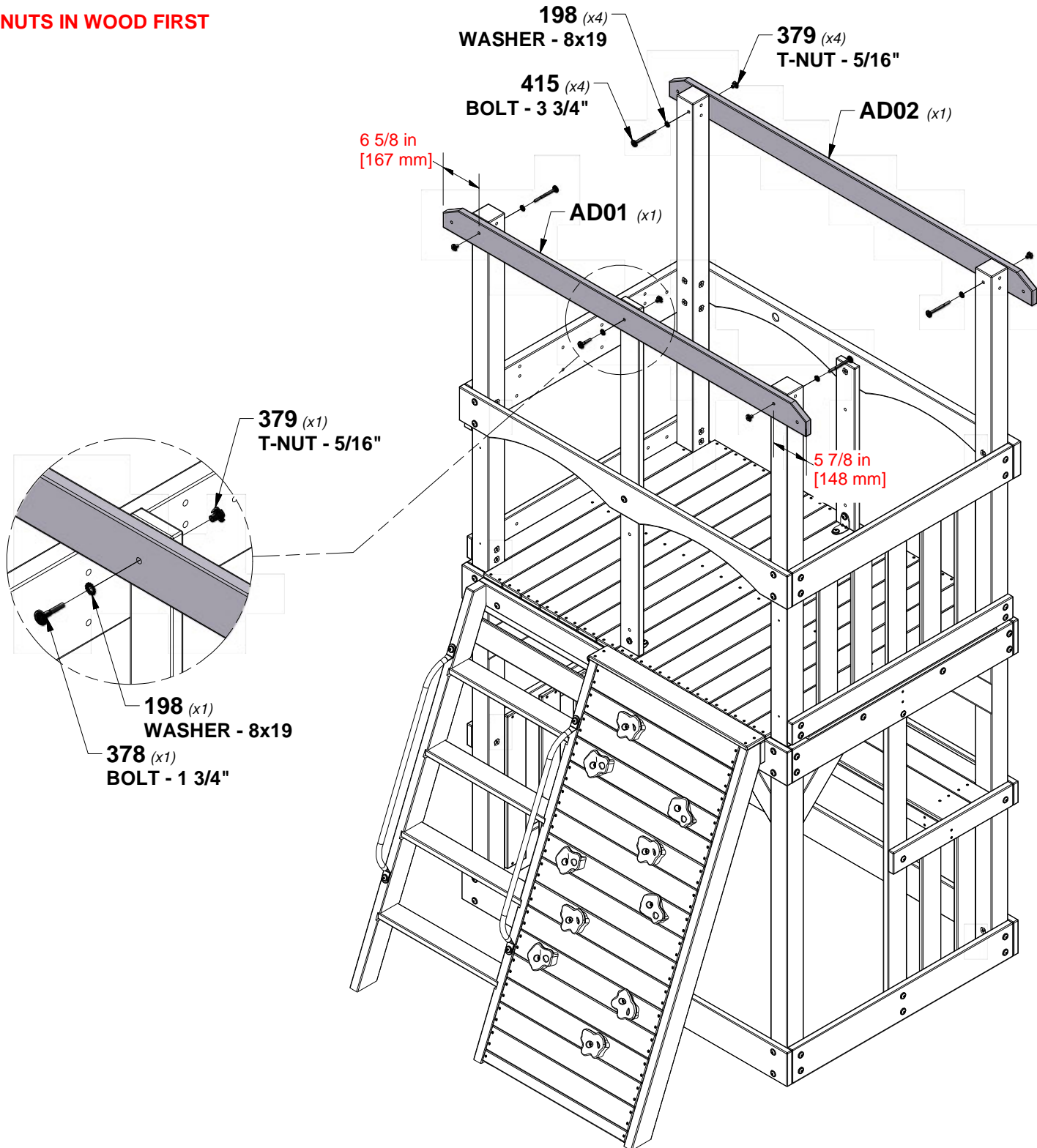
USING BRACKET AS A GUIDE, DRILL (1) 3/8" [10mm] HOLE THRU DECK FOR HARDWARE.

STEP 23 - FORT ASSEMBLY

QTY	PART NUMBER	DESCRIPTION
4	H100415	BOLT WH 5/16x3 3/4 BLK
1	H100378	BOLT WH 5/16x1 3/4 BLK
5	H100198	WASHER LOCK EXT 8x19 BLK
5	H100379	T-NUT 5/16 BLK



TIP:
INSTALL T-NUTS IN WOOD FIRST



STEP 24 - FORT ASSEMBLY

QTY	PART NUMBER	DESCRIPTION
8	H100198	WASHER LOCK EXT 8x19 BLK
8	H100379	T-NUT 5/16 BLK
4	H100415	BOLT WH 5/16x3 3/4 BLK
4	H100503	BOLT WH 5/16x3 1/2 BLK

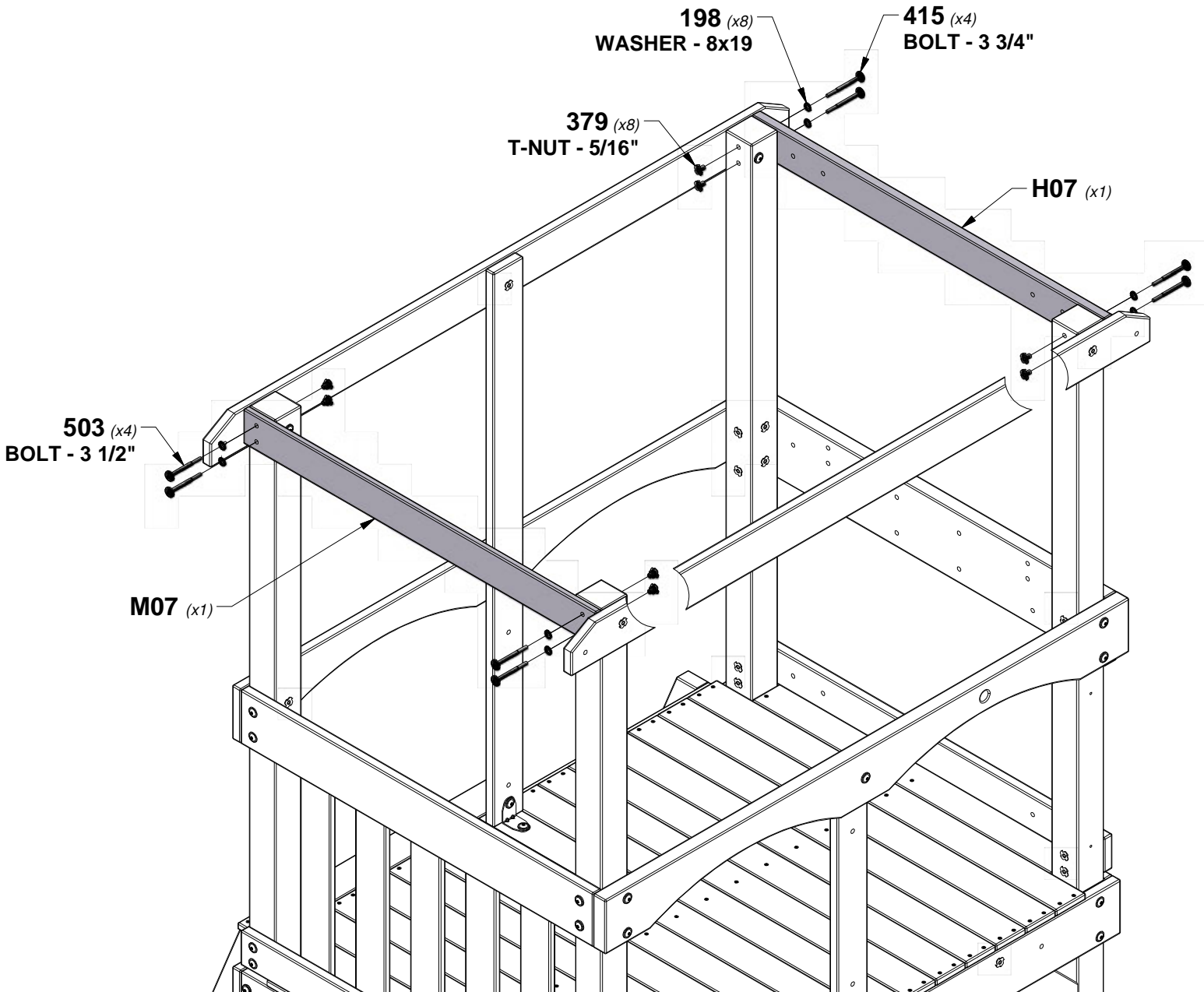


M07 WALL RAIL - W4L18280
(x1) 5/8"x3 3/8"x40" (16x86x1017)



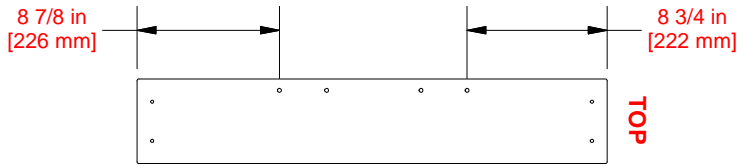
H07 WALL RAIL - W4L18264
(x1) 1"x3 3/8"x40" (24x86x1017)

TIP:
INSTALL T-NUTS IN WOOD FIRST

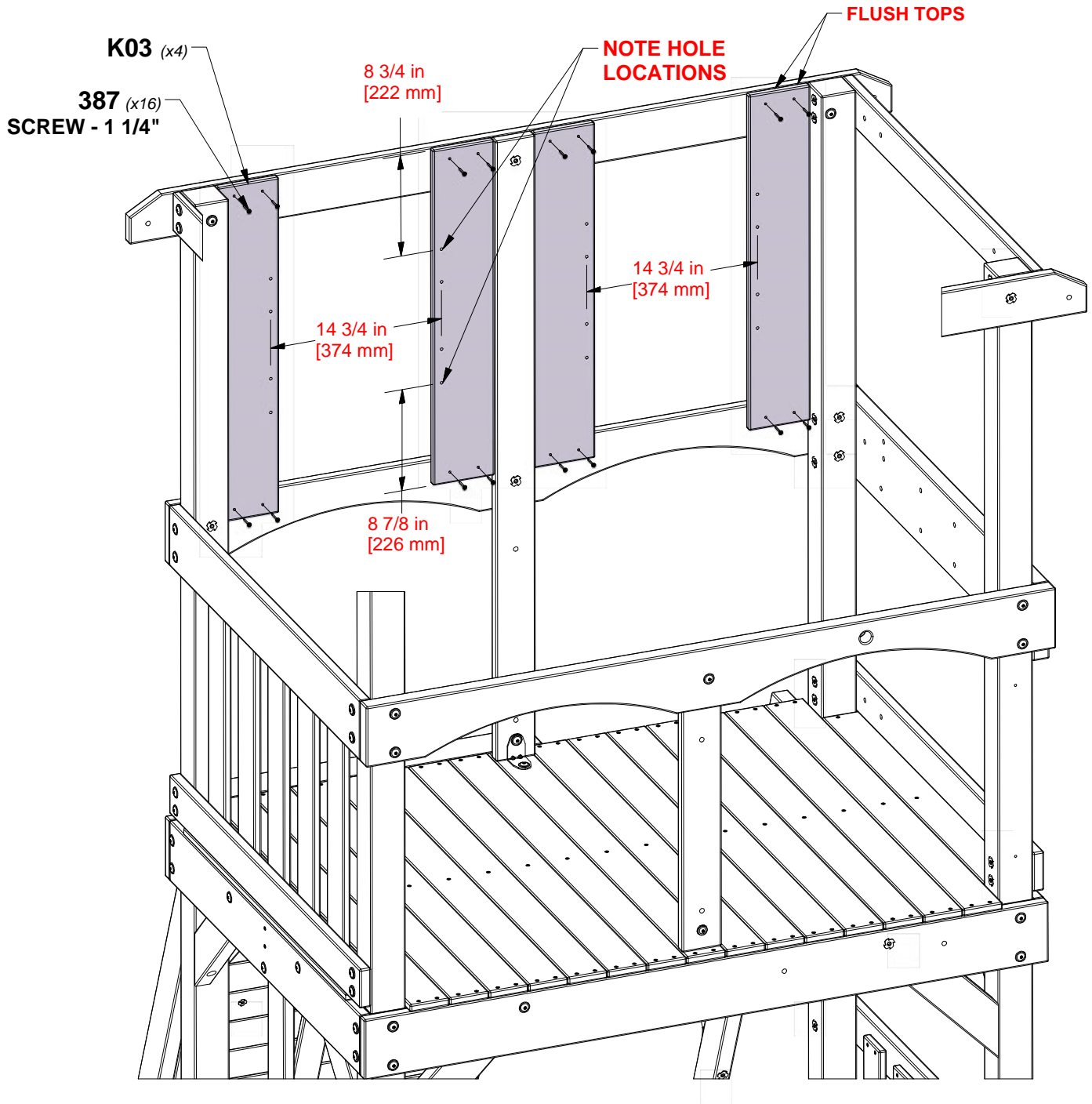


STEP 25 - FORT ASSEMBLY

QTY	PART NUMBER	DESCRIPTION
16	H100387	SCREW PFH 8x1 1/4 BLK



K03 WALL RAIL - W4L18283
 (x4) 5/8"x5 1/4"x29 3/8" (16x134x746)



STEP 26 - FORT ASSEMBLY

QTY	PART NUMBER	DESCRIPTION
24	H100387	SCREW PFH 8x1 1/4 BLK



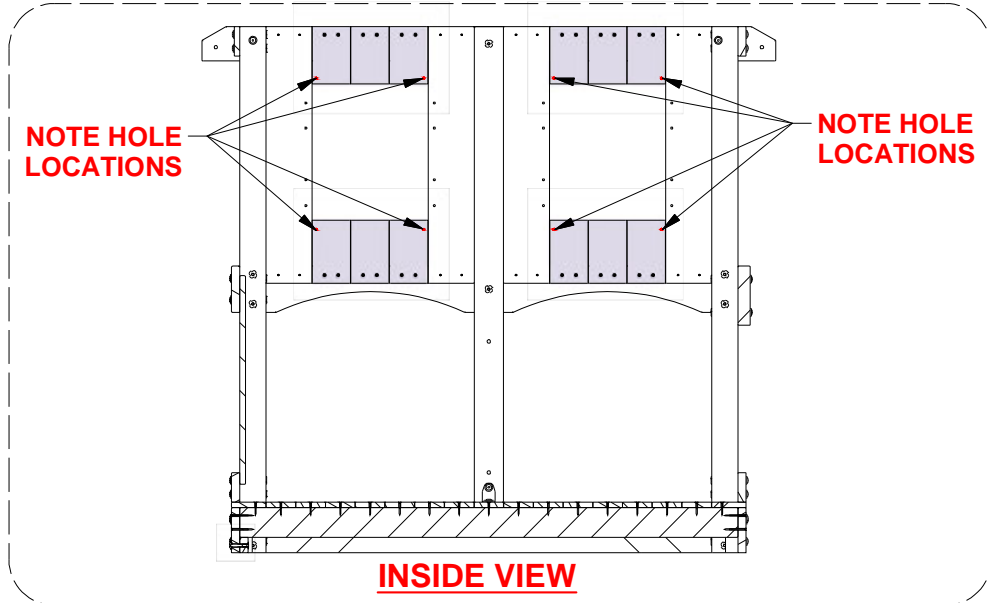
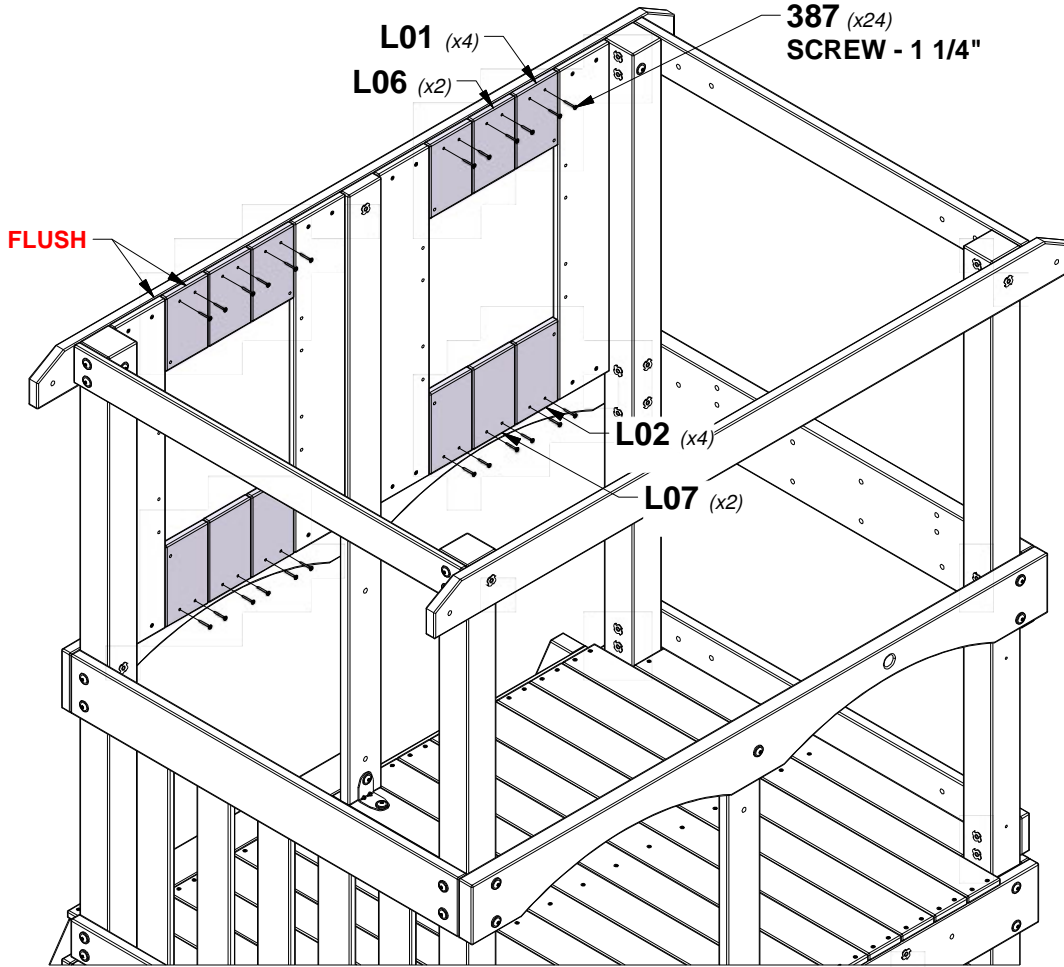
L01 WALL BOARD - W4L18284
(x4) 5/8"x4 3/8"x6 5/8" (16x112x167)

L02 WALL BOARD - W4L18285
(x4) 5/8"x4 3/8"x7 1/4" (16x112x184)



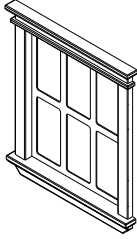
L06 WALL BOARD - W4L18239
(x2) 5/8"x4 3/8"x6 5/8" (16x112x167)

L07 WALL BOARD - W4L18281
(x2) 5/8"x4 3/8"x7 1/4" (16x112x184)

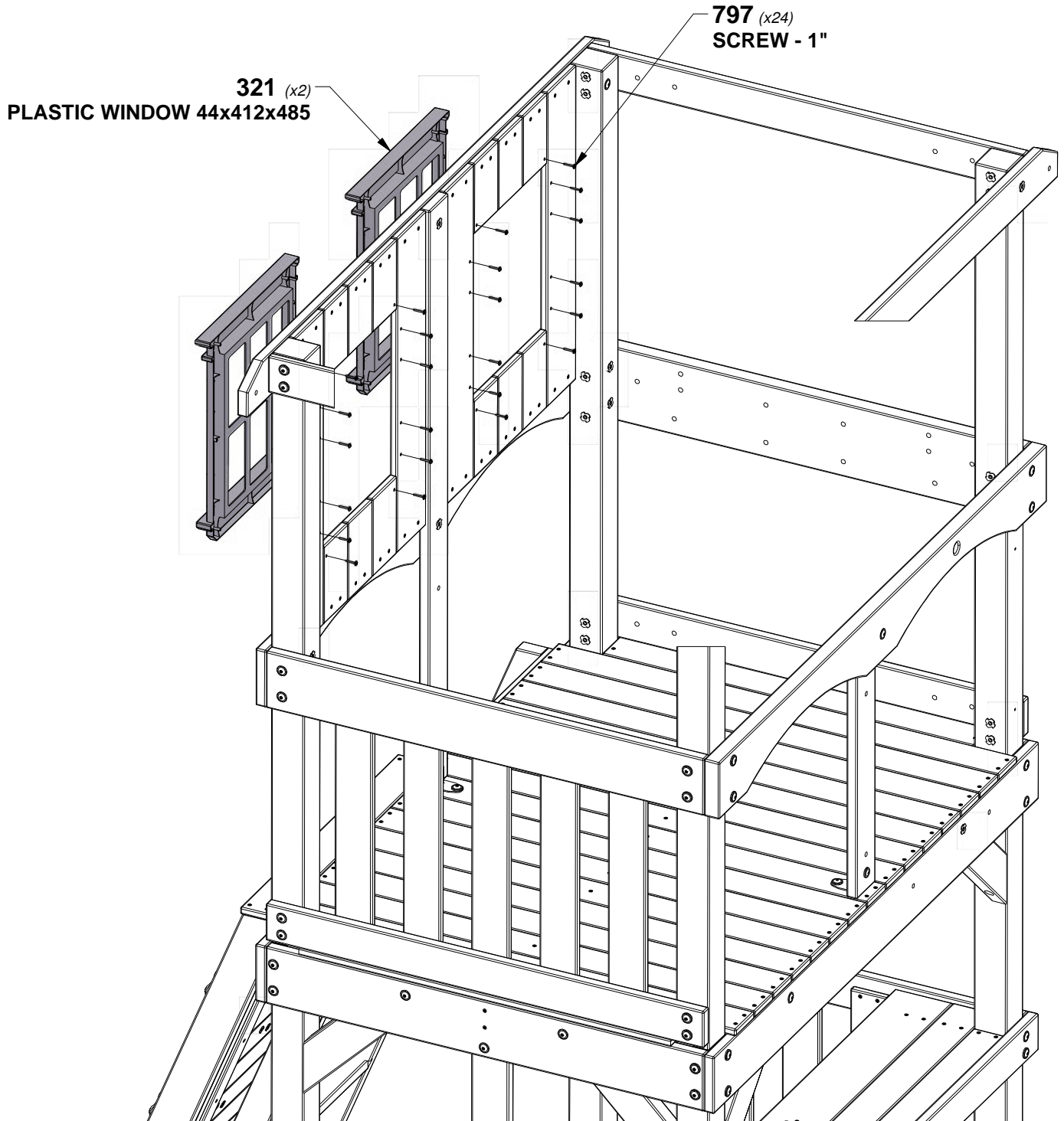


STEP 27 - FORT ASSEMBLY

QTY	PART NUMBER	DESCRIPTION
24	H100797	PWH SCREW 8x1 BLK

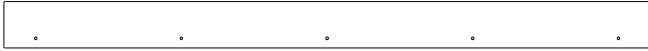


A100321
(x2) **PLASTIC WINDOW 44x412x485**



STEP 28 - FORT ASSEMBLY

QTY	PART NUMBER	DESCRIPTION
14	H100200	SCREW PFH 8x1 1/2 BLK



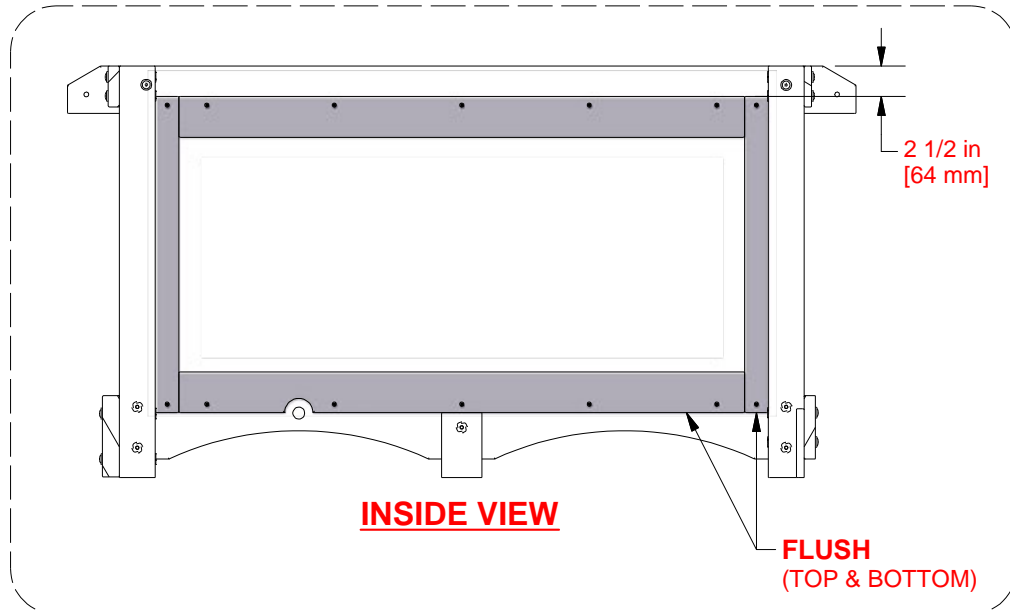
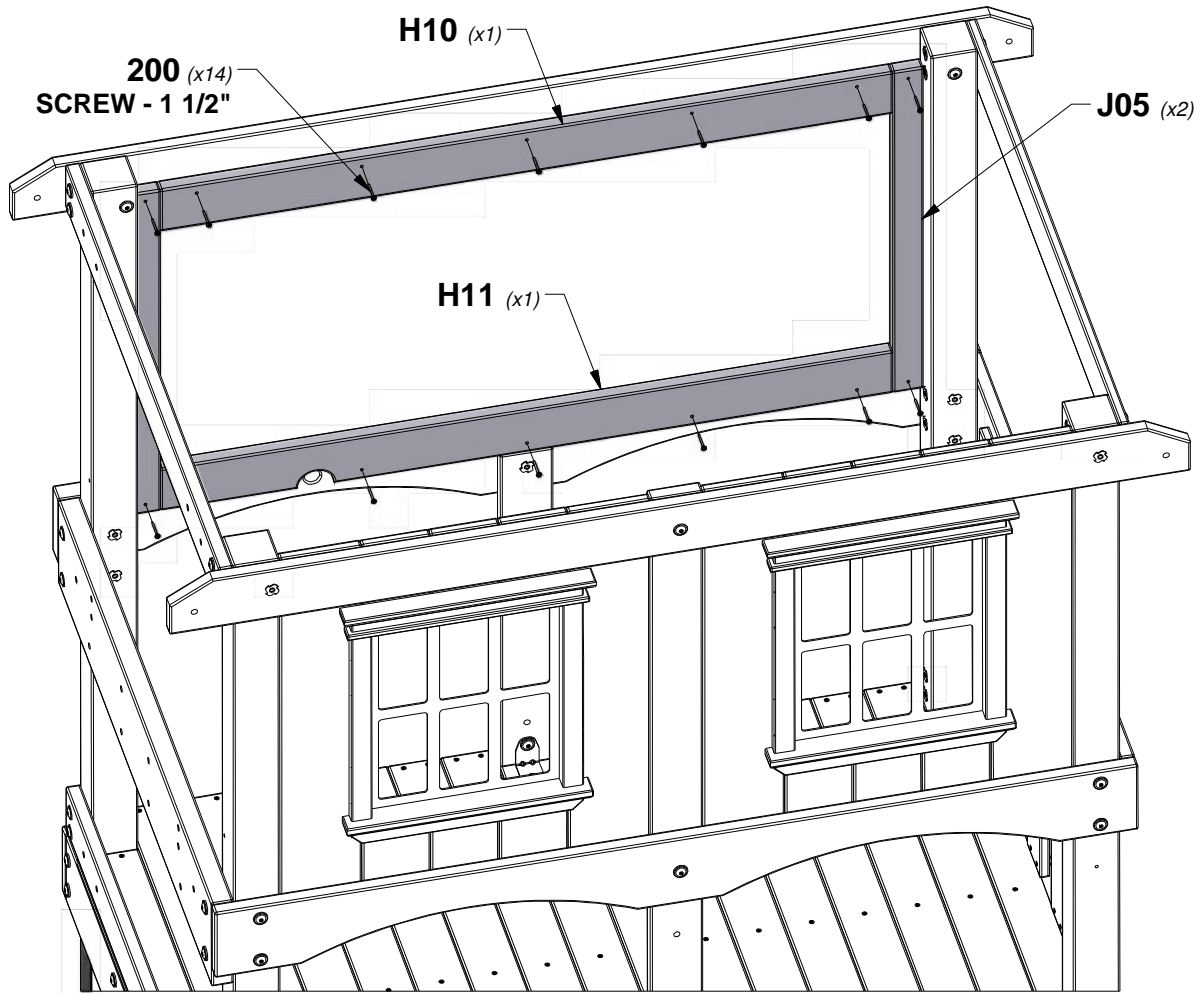
H10 WINDOW TRIM - W4L18275
(x1) 1"x3 3/8"x47 1/8" (24x86x1198)



J05 WINDOW TRIM - W4L18278
(x2) 1"x2"x26 1/4" (24x50x668)

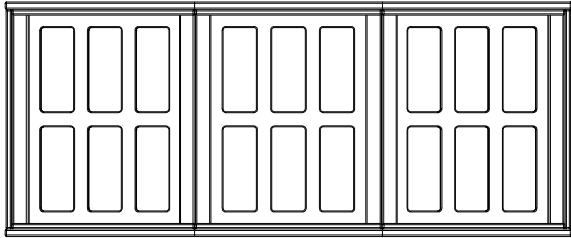


H11 WINDOW TRIM - W4L18494
(x1) 1"x3 3/8"x47 1/8" (24x86x1198)

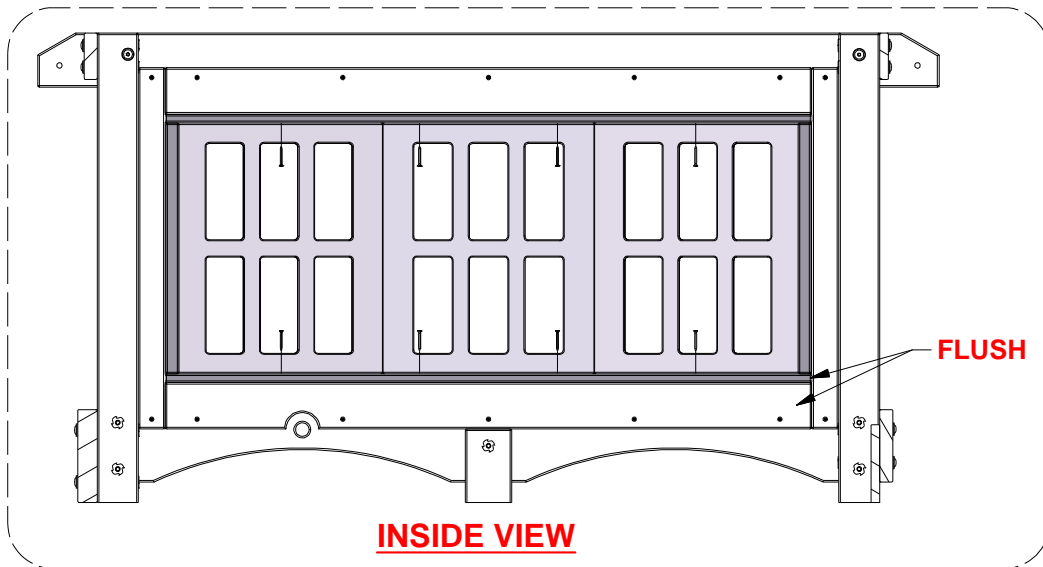
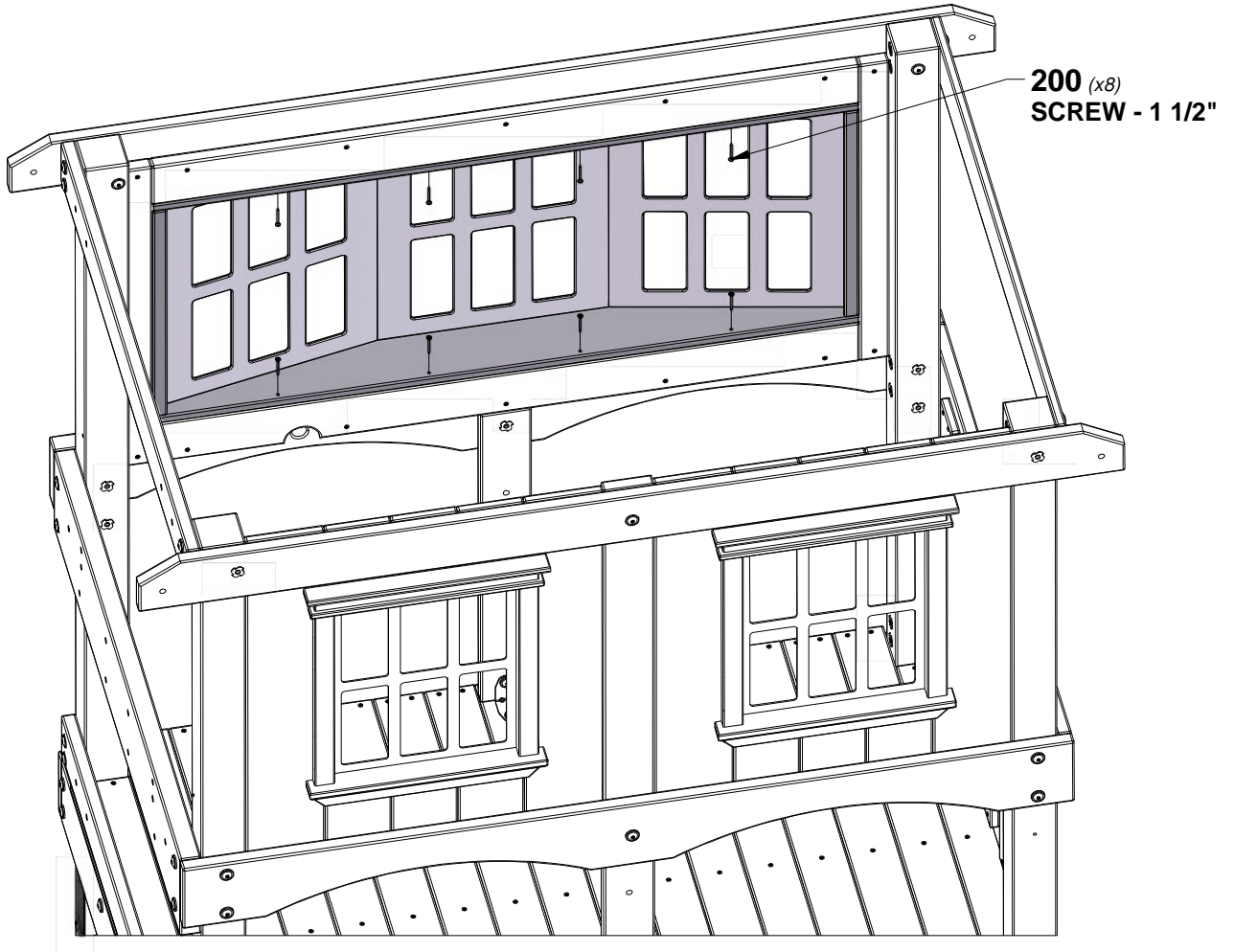


STEP 29 - FORT ASSEMBLY

QTY	PART NUMBER	DESCRIPTION
8	H100200	SCREW PFH 8x1 1/2 BLK



(x1) BAY WINDOW ASSEMBLY



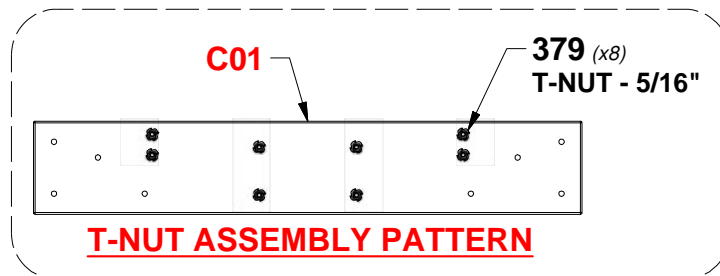
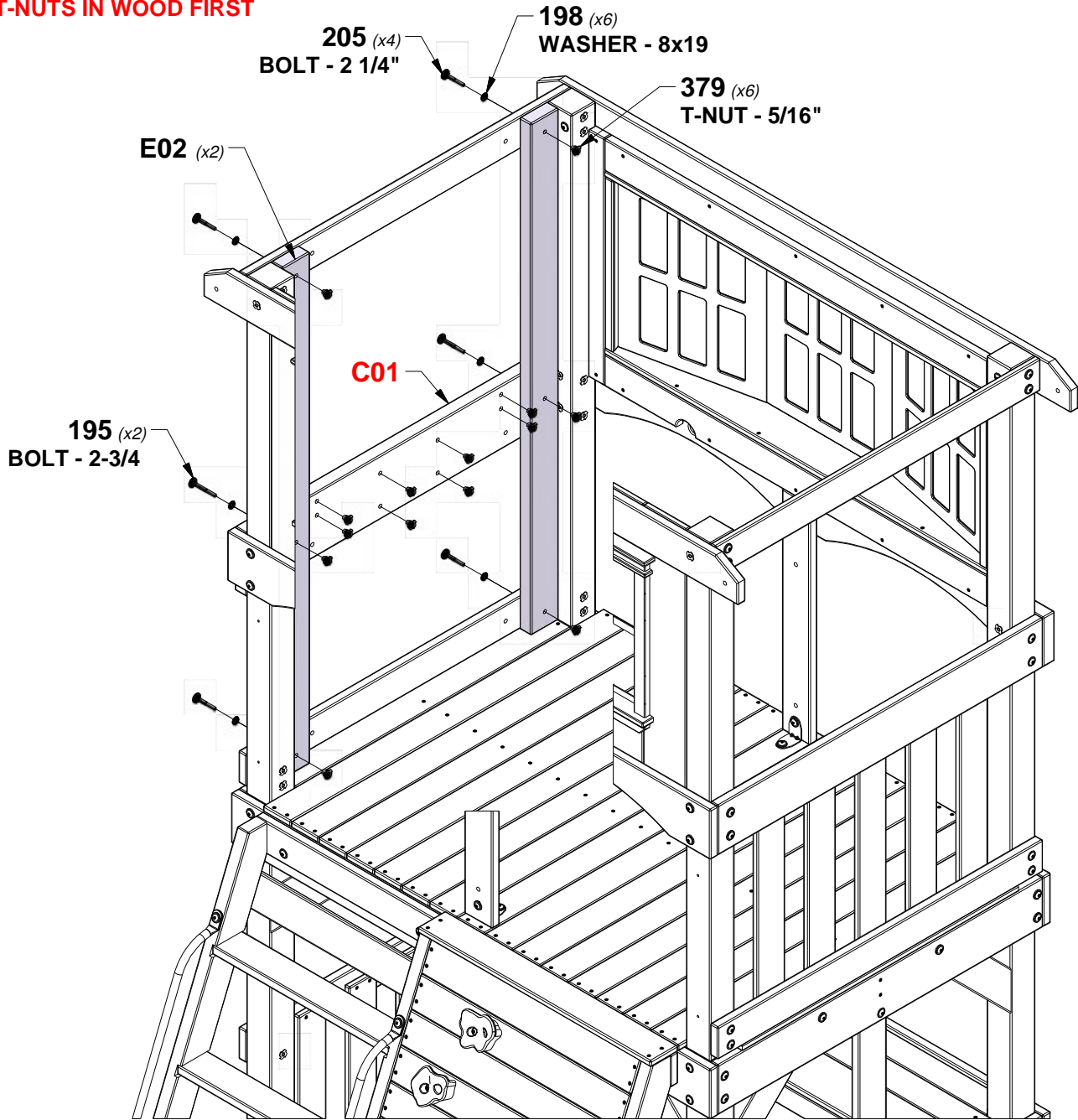
INSIDE VIEW

STEP 30 - FORT ASSEMBLY

QTY	PART NUMBER	DESCRIPTION
4	H100205	BOLT WH 5/16x2 1/4 BLK
2	H100195	BOLT WH 5/16x2 3/4 BLK
6	H100198	WASHER LOCK EXT 8x19 BLK
14	H100379	T-NUT 5/16 BLK

E02 WALL BOARD - W4L18287
 (x2) 1 3/8"x3 3/8"x54 3/8" (36x86x1382)

TIP:
INSTALL T-NUTS IN WOOD FIRST



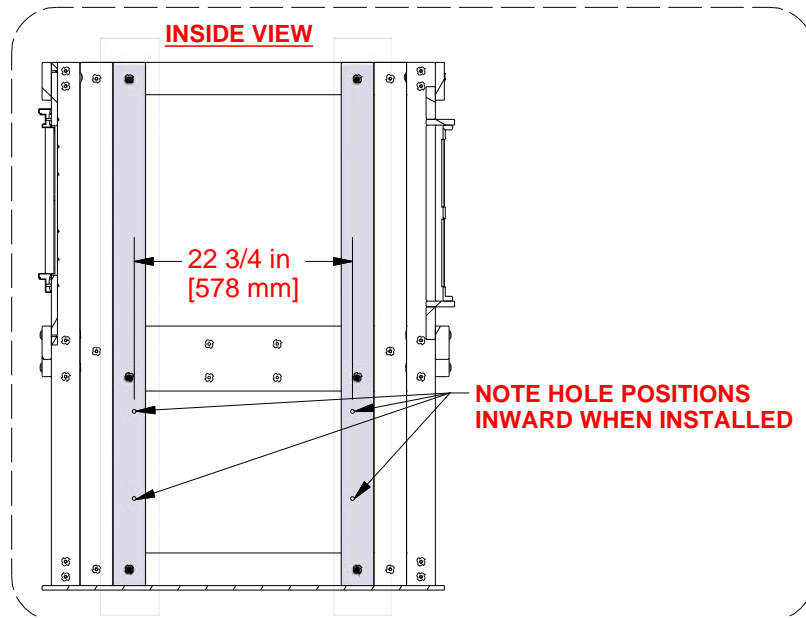
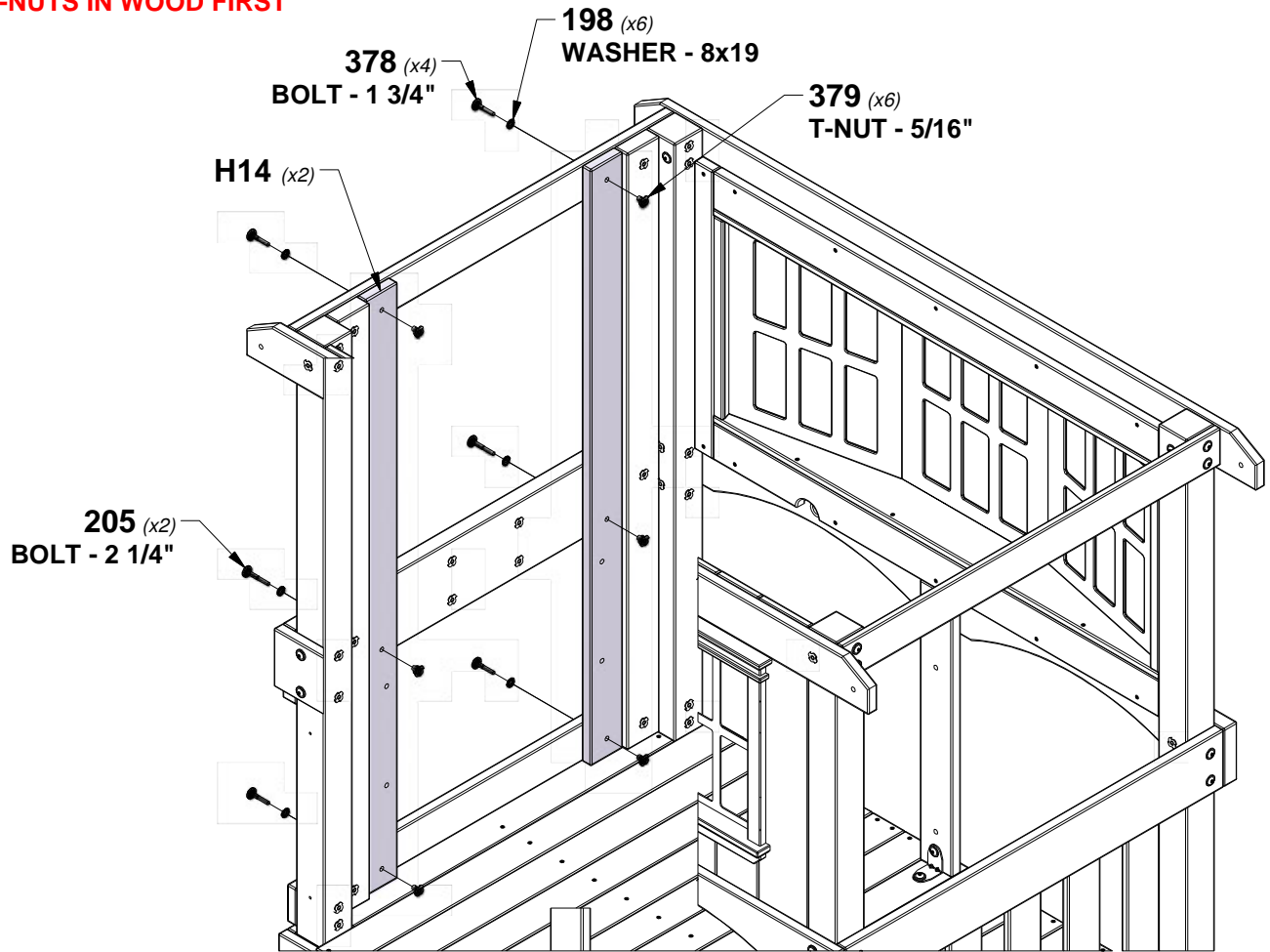
STEP 31 - FORT ASSEMBLY

QTY	PART NUMBER	DESCRIPTION
4	H100378	BOLT WH 5/16x1 3/4 BLK
2	H100205	BOLT WH 5/16x2 1/4 BLK
6	H100198	WASHER LOCK EXT 8x19 BLK
6	H100379	T-NUT 5/16 BLK



H14 WALL BOARD - W4L18288
 (x2) 1"x3 3/8"x54 3/8" (24x86x1382)

TIP:
INSTALL T-NUTS IN WOOD FIRST

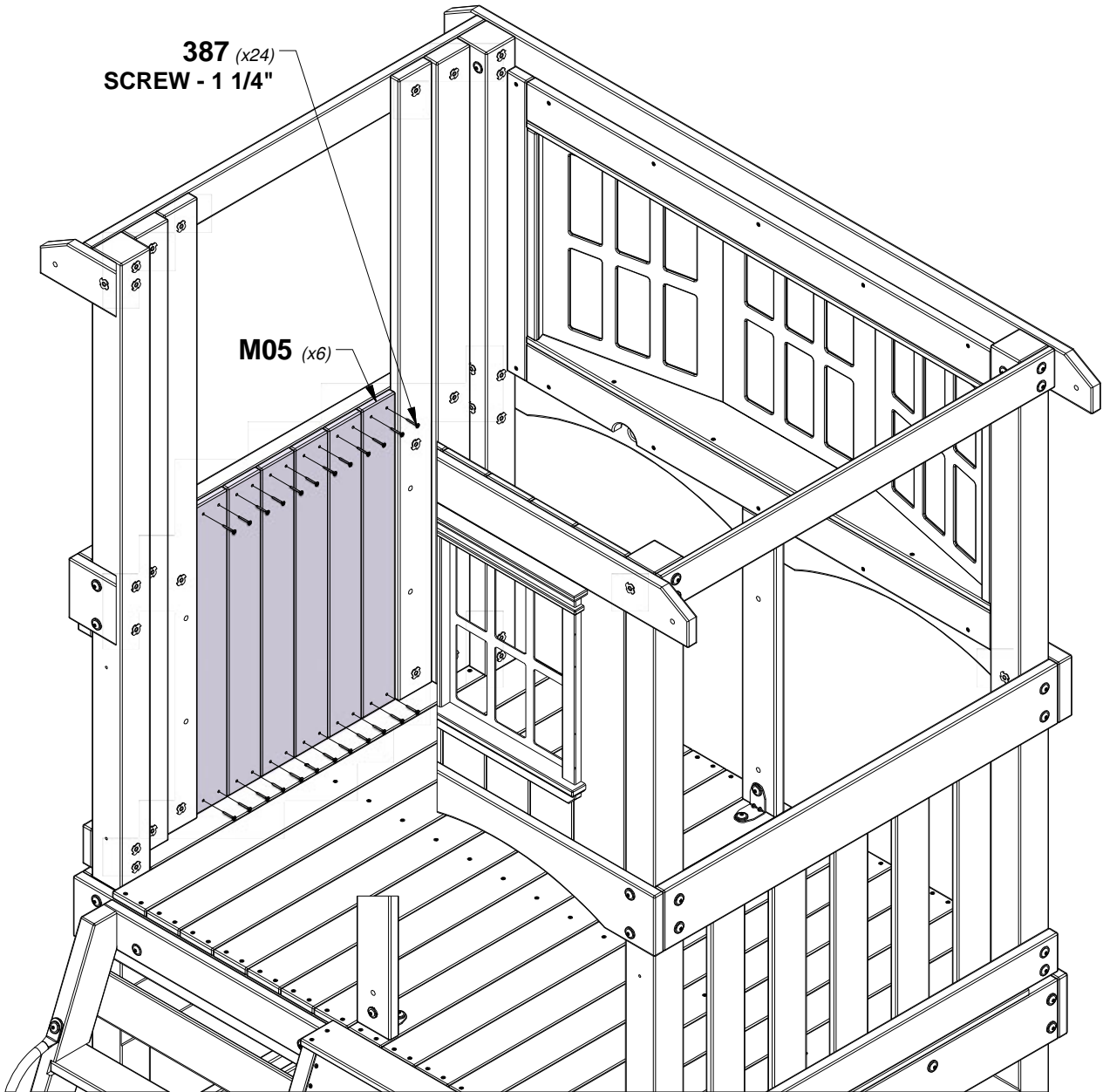


STEP 32 - FORT ASSEMBLY

QTY	PART NUMBER	DESCRIPTION
24	H100387	SCREW PFH 8x1 1/4 BLK



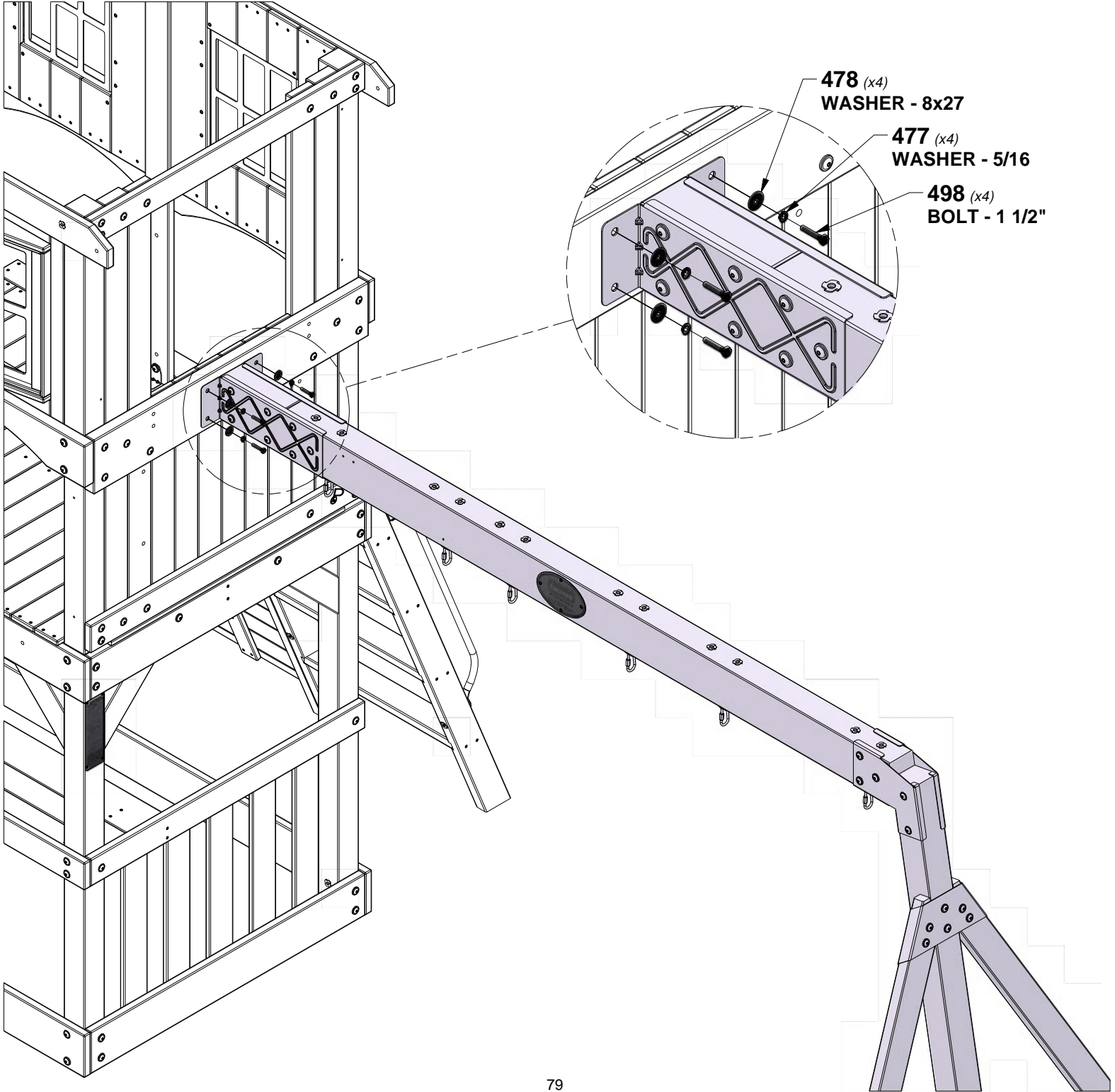
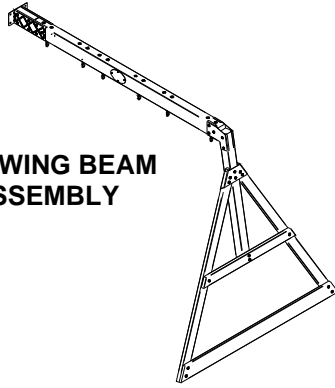
M05 WALL BOARD - W4L18289
(x6) 5/8"x3 3/8"x27" (16x86x686)



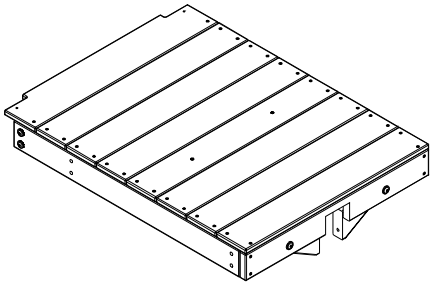
STEP 33 - FORT ASSEMBLY

QTY	PART NUMBER	DESCRIPTION
4	H100498	BOLT HEX 5/16x1 1/2 BLK
4	H100477	WASHER SPLIT 5/16 BLK
4	H100478	WASHER FLAT 8x27

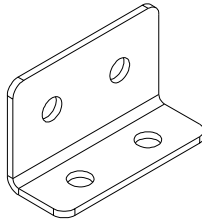
(x1) SWING BEAM ASSEMBLY



STEP 34 - FORT ASSEMBLY

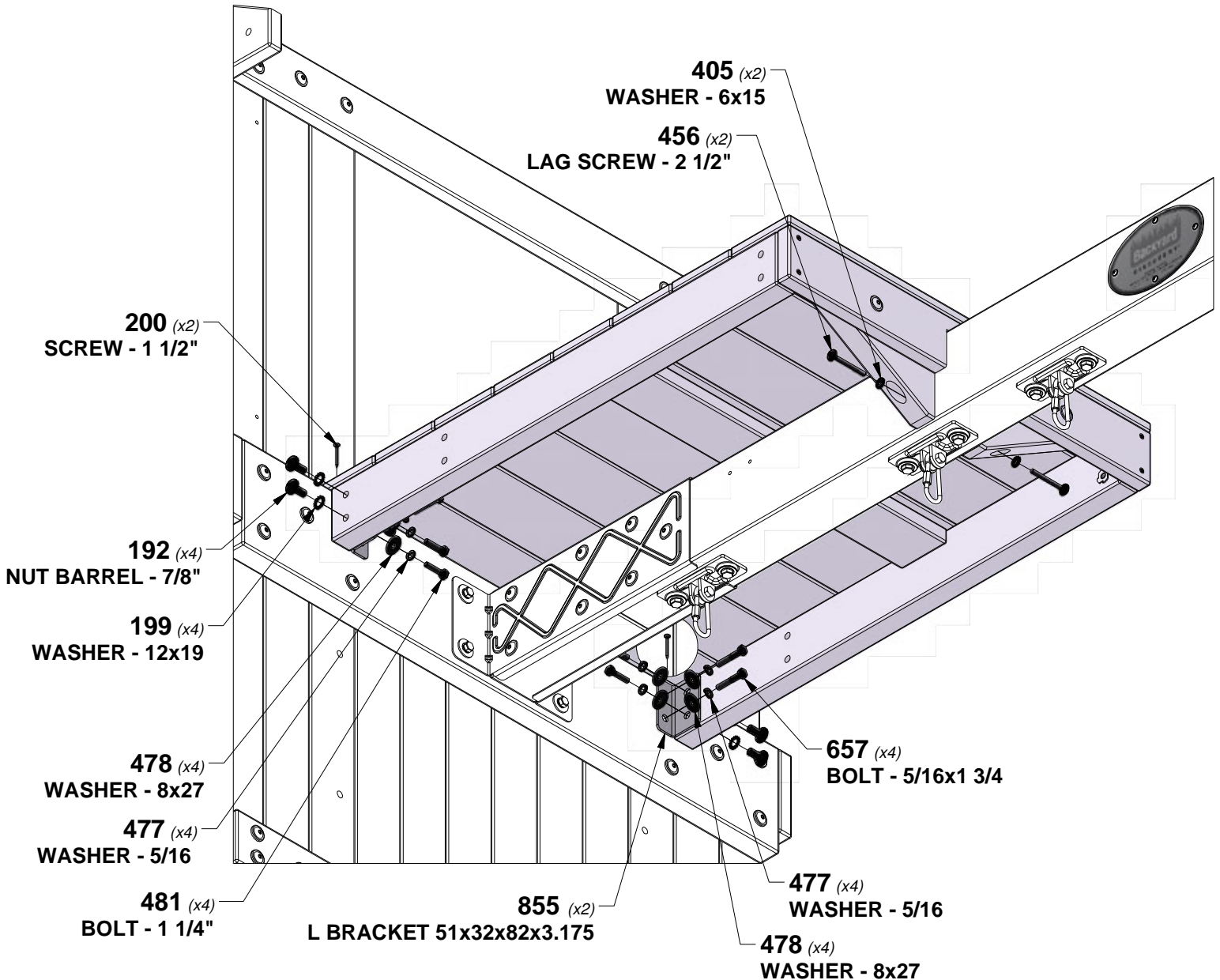


(x1) CROWS NEST DESK ASSEMBLY

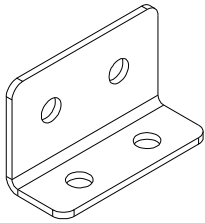


A4M00855 (x2) L BRACKET 51x32x82x3.175

QTY	PART NUMBER	DESCRIPTION
4	H100192	NUT BARREL WH 7/8 BLK
4	H100199	WASHER LOCK EXT 12x19 BLK
2	H100200	SCREW PFH 8x1 1/2 BLK
2	H100405	WASHER LOCK EXT 6x15 BLK
2	H100456	LAG SCREW 1/4x2 1/2 BLK
8	H100477	WASHER SPLIT 5/16 BLK
8	H100478	WASHER FLAT 8x27 BLK
4	H100481	BOLT HEX 5/16x1 1/4 BLK
4	H100657	BOLT HEX 5/16x1-3/4 BLK

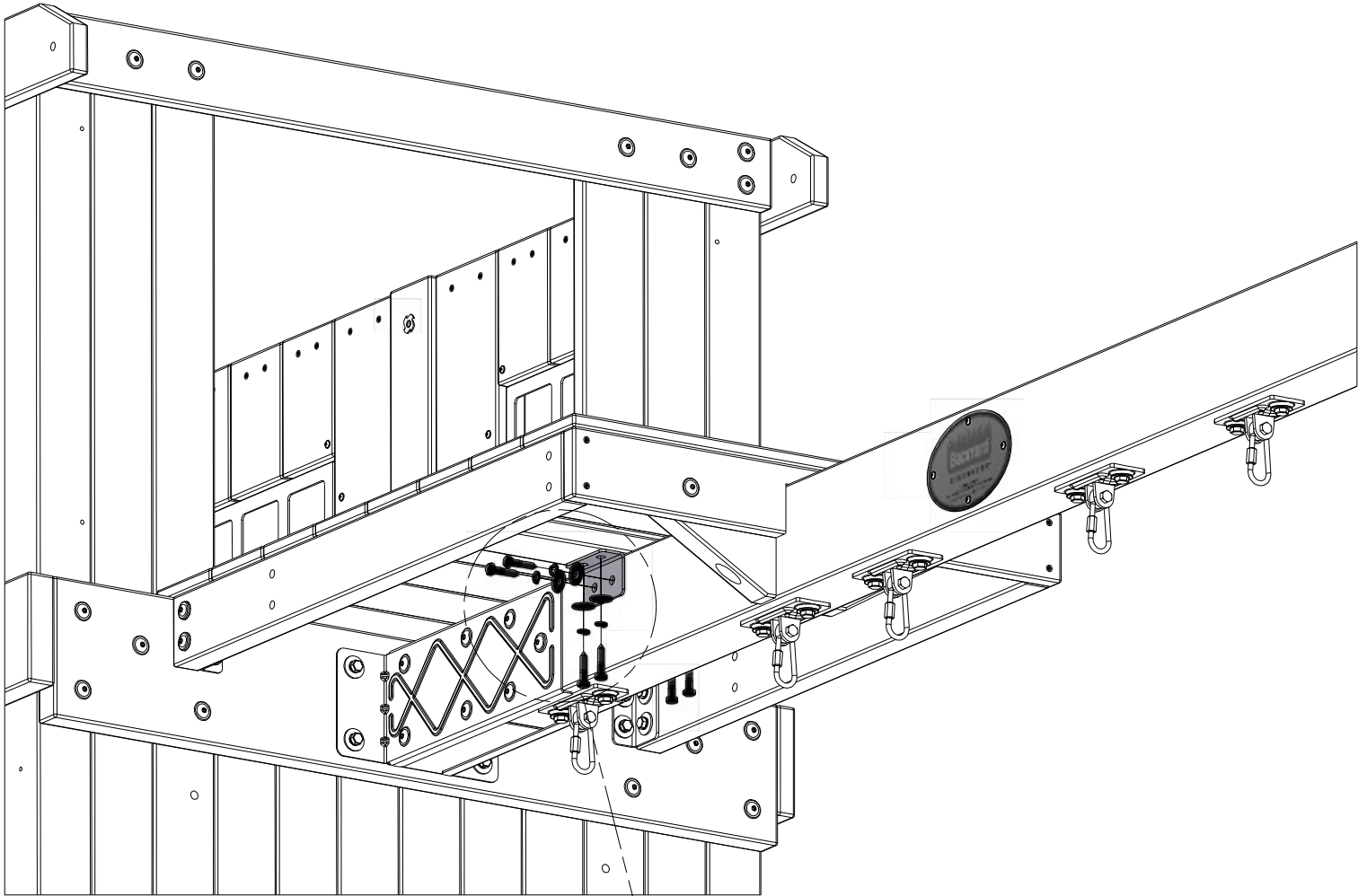


STEP 35 - FORT ASSEMBLY

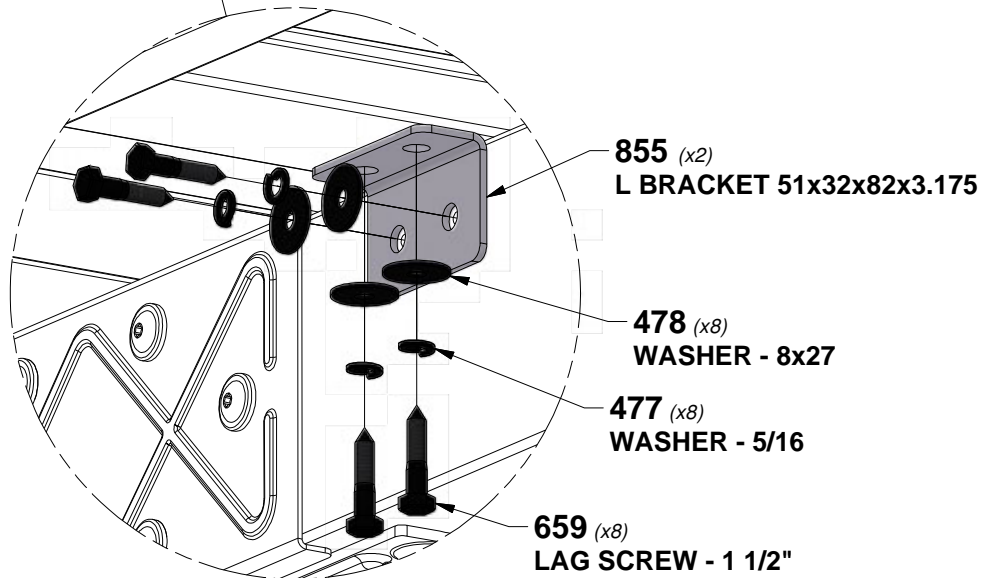


A4M00855
(x2) **L BRACKET 51x32x82x3.175**

QTY	PART NUMBER	DESCRIPTION
8	H100659	LAG SCREW HEX 5/16x1 1/2 BLK
8	H100477	WASHER SPLIT 5/16 BLK
8	H100478	WASHER FLAT 8x27 BLK



NOTE:
USING BRACKET AS A GUIDE,
DRILL 3/16" (5 mm) X 1" DEEP
PILOT HOLES. 2 PLACES
EACH SIDE.



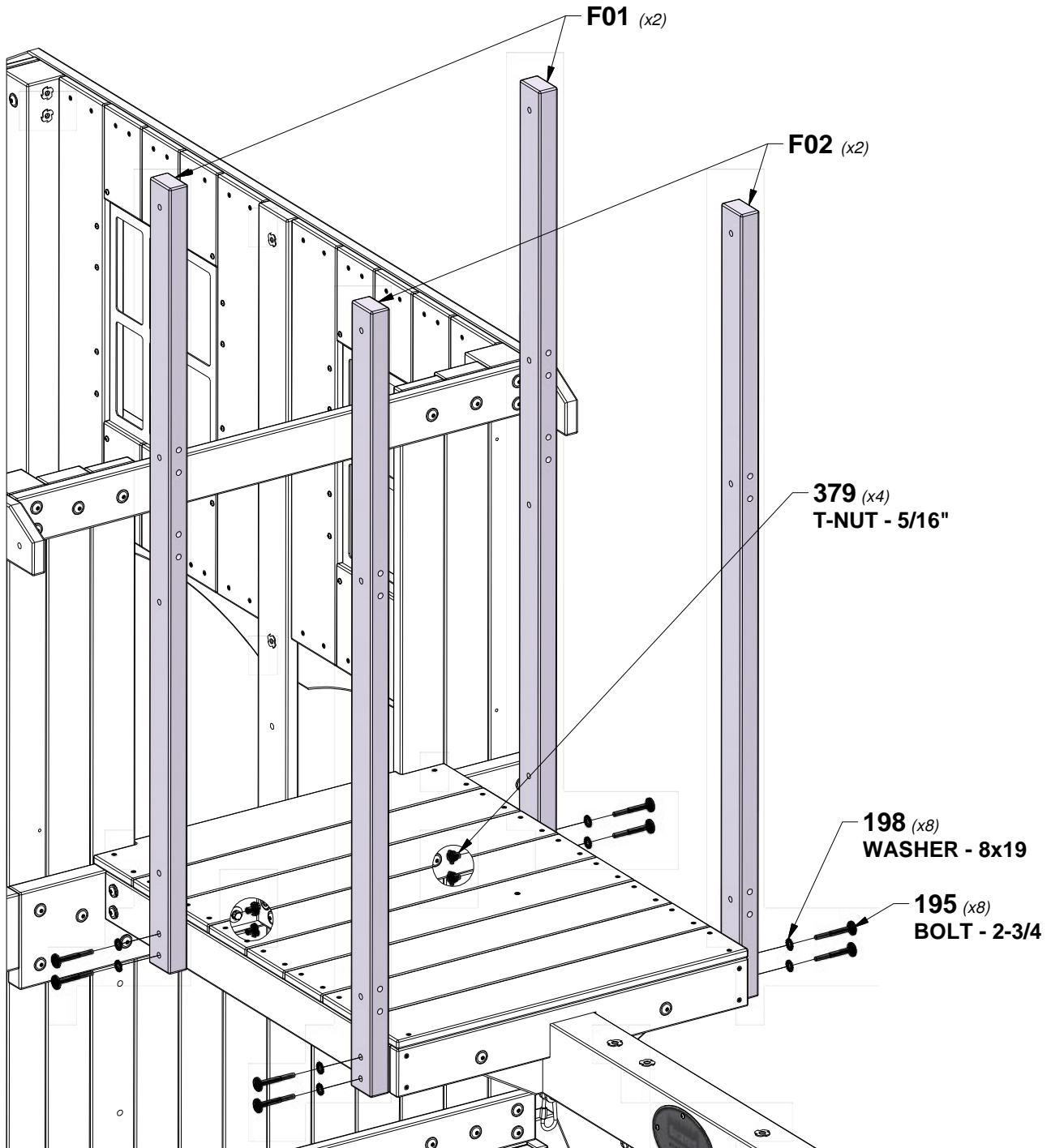
STEP 36 - FORT ASSEMBLY

QTY	PART NUMBER	DESCRIPTION
8	H100195	BOLT WH 5/16x2 3/4 BLK
8	H100198	WASHER LOCK EXT 8x19 BLK
4	H100379	T-NUT 5/16 BLK

F01 CROWS NEST WALL SUPPORT - W4L18297
 (x2) 1 3/8"x2 3/8"x55" (36x60x1397)

F02 CROWS NEST WALL SUPPORT - W4L18298
 (x2) 1 3/8"x2 3/8"x55" (36x60x1397)

TIP:
INSTALL T-NUTS IN WOOD FIRST



STEP 37 - FORT ASSEMBLY



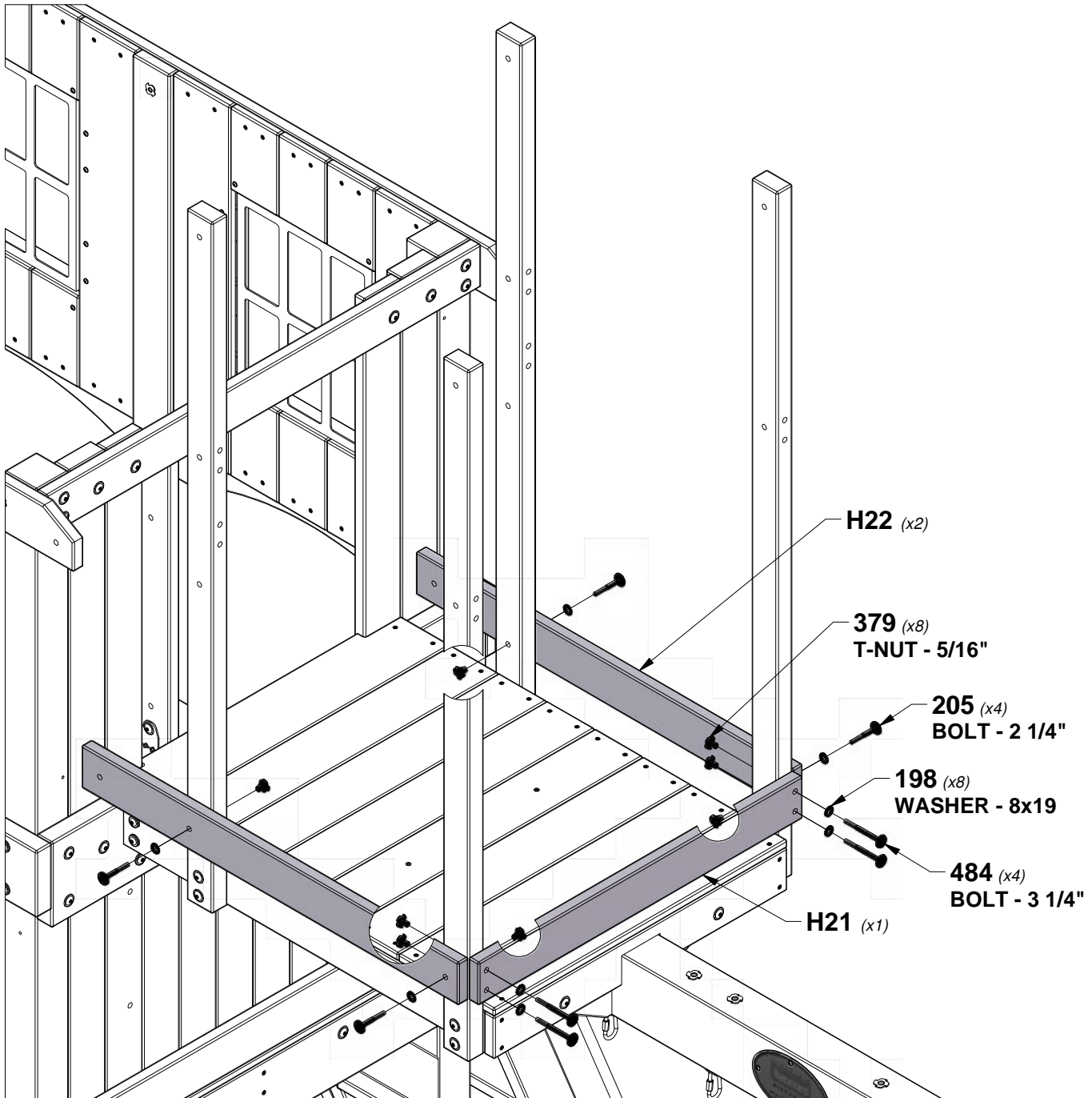
H21 CROWS NEST WALL RAIL - W4L18300
(x1) 1"x3 3/8"x29 7/8" (24x86x758)



H22 CROWS NEST WALL RAIL - W4L18301
(x2) 1"x3 3/8"x34 3/4" (24x86x882)

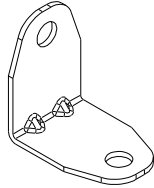
QTY	PART NUMBER	DESCRIPTION
4	H100205	BOLT WH 5/16x2 1/4 BLK
4	H100484	BOLT WH 5/16x3 1/4 BLK
8	H100198	WASHER LOCK EXT 8x19 BLK
8	H100379	T-NUT 5/16 BLK

TIP:
INSTALL T-NUTS IN WOOD FIRST



STEP 38 - FORT ASSEMBLY

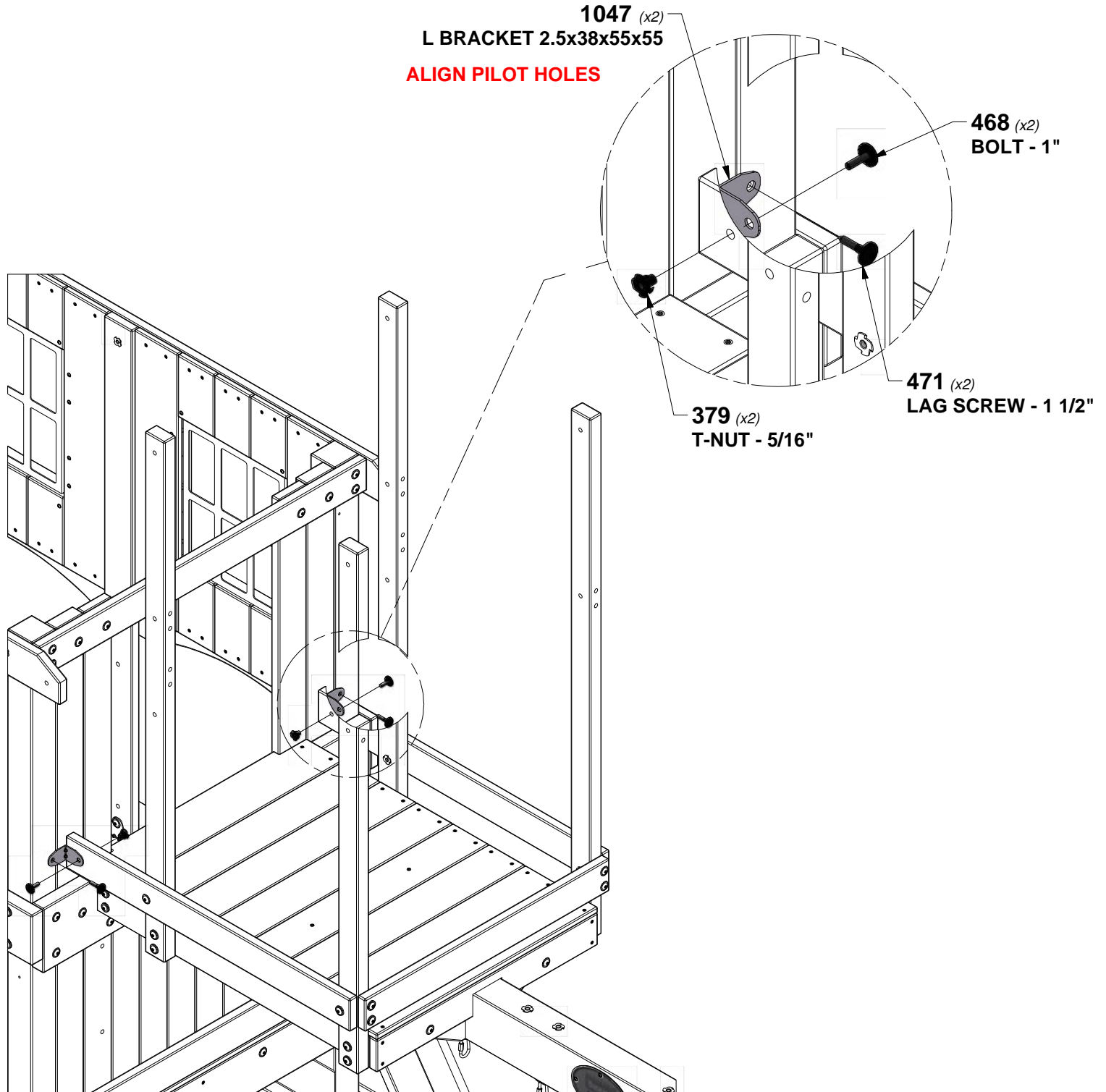
QTY	PART NUMBER	DESCRIPTION
2	H100468	BOLT WH 5/16x1 BLK
2	H100471	LAG SCREW WH 5/16x1 1/2 BLK
2	H100379	T-NUT 5/16 BLK



A4M01047
(x2) **L BRACKET 2.5x38x55x55**

TIP:
INSTALL T-NUTS IN WOOD FIRST

1047 (x2)
L BRACKET 2.5x38x55x55
ALIGN PILOT HOLES



468 (x2)
BOLT - 1"

471 (x2)
LAG SCREW - 1 1/2"

379 (x2)
T-NUT - 5/16"

STEP 39 - FORT ASSEMBLY

QTY	PART NUMBER	DESCRIPTION
4	H100205	BOLT WH 5/16x2 1/4 BLK
8	H100416	BOLT WH 5/16x3 BLK
16	H100198	WASHER LOCK EXT 8x19 BLK
16	H100379	T-NUT 5/16 BLK
4	H100484	BOLT WH 5/16x3 1/4 BLK



H21 CROWS NEST WALL RAIL - W4L18300
(x1) 1"x3 3/8"x29 7/8" (24x86x758)

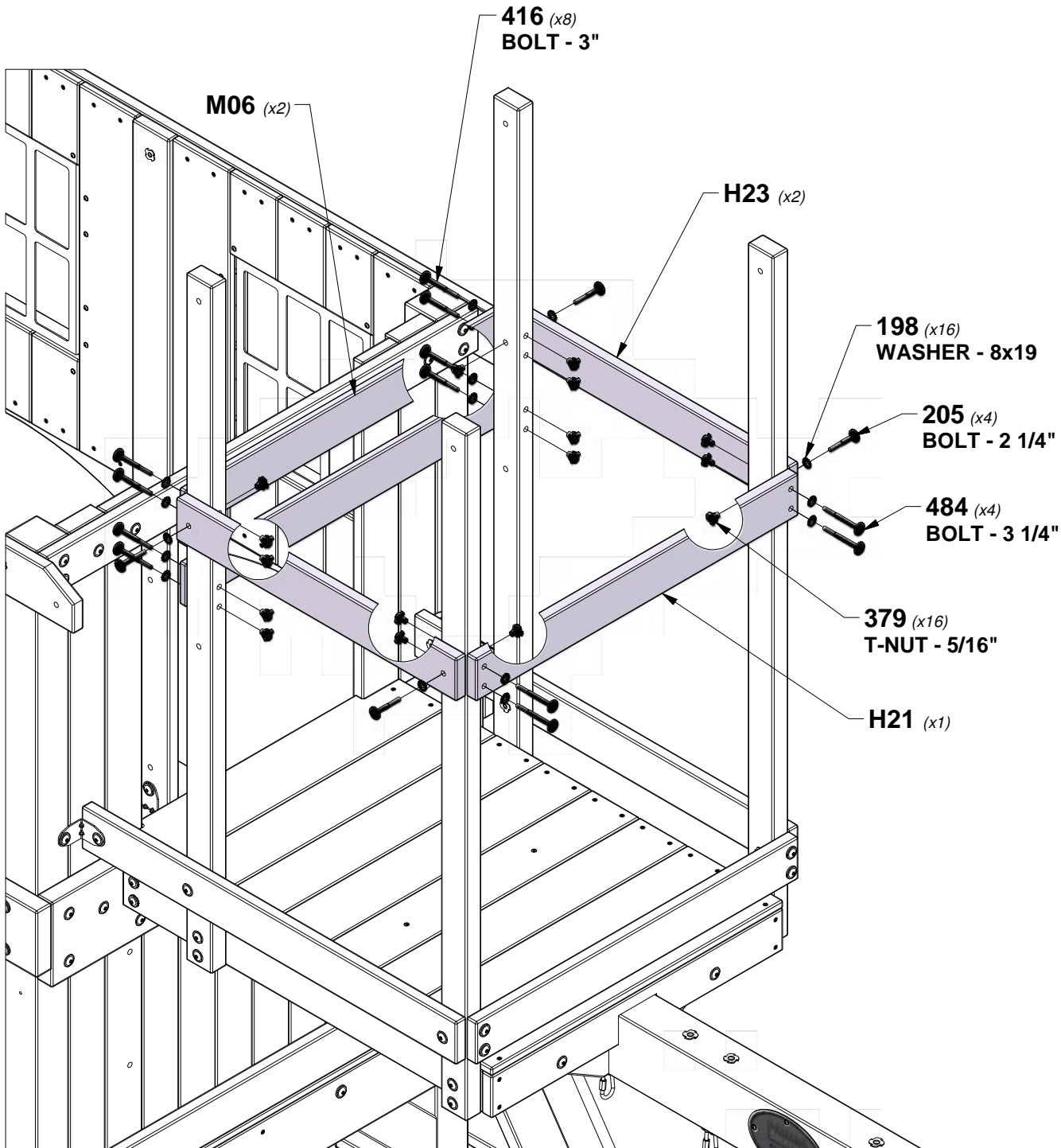


H23 CROWS NEST WALL RAIL - W4L18303
(x2) 1"x3 3/8"x26" (24x86x660)

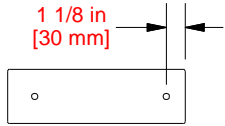


M06 CROWS NEST WALL RAIL - W4L18302
(x2) 5/8"x3 3/8"x29 7/8" (16x86x758)

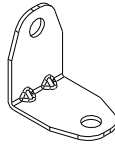
TIP:
INSTALL T-NUTS IN WOOD FIRST



STEP 40 - FORT ASSEMBLY



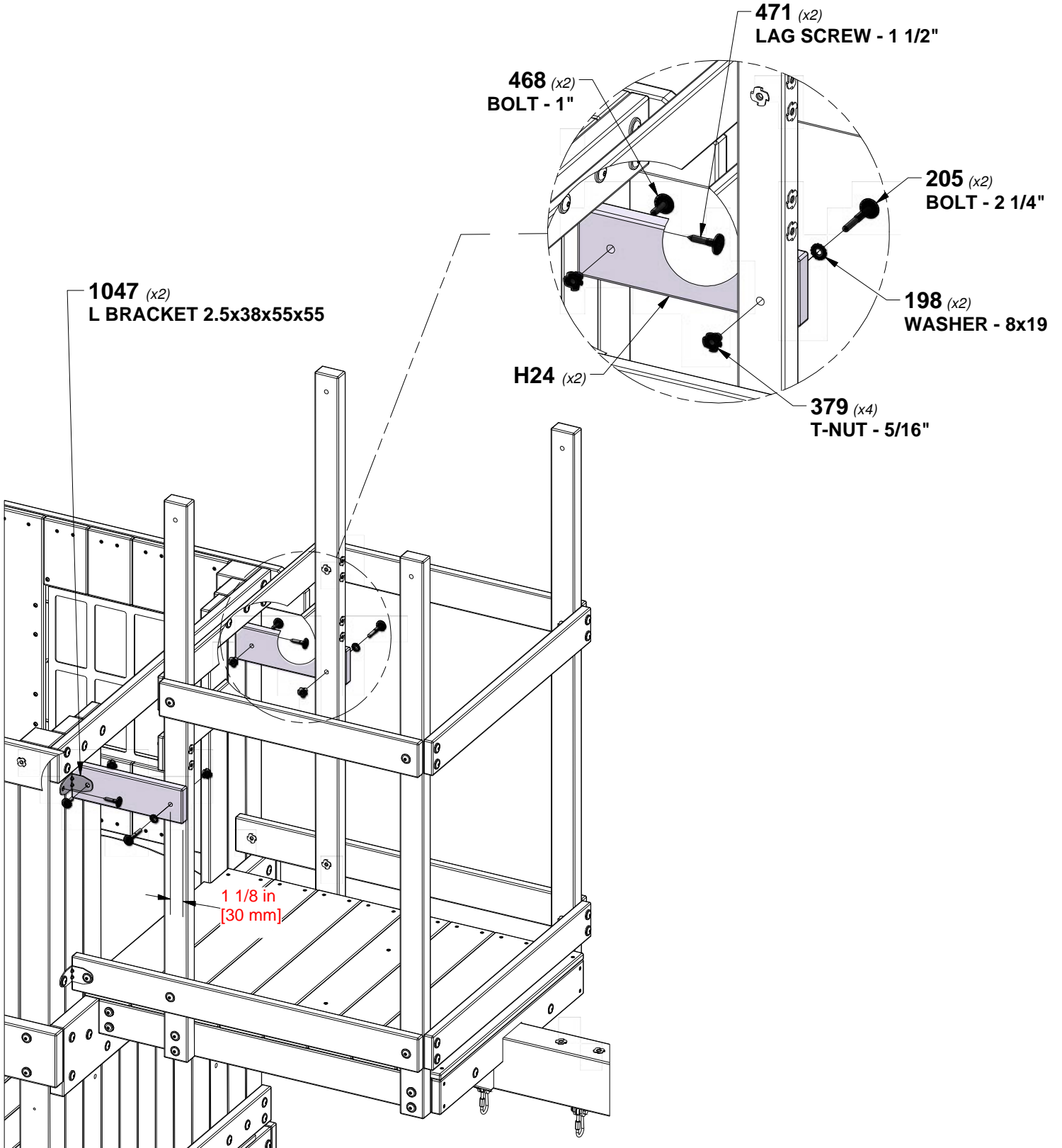
H24 CROWS NEST WALL RAIL - W4L18304
(x2) 1"x3 3/8"x11 1/8" (24x86x282)



A4M01047
(x2) **L BRACKET 2.5x38x55x55**

QTY	PART NUMBER	DESCRIPTION
2	H100205	BOLT WH 5/16x2 1/4 BLK
2	H100468	BOLT WH 5/16x1 BLK
2	H100198	WASHER LOCK EXT 8x19 BLK
4	H100379	T-NUT 5/16 BLK
2	H100471	LAG SCREW WH 5/16x1 1/2 BLK

TIP:
INSTALL T-NUTS IN WOOD FIRST

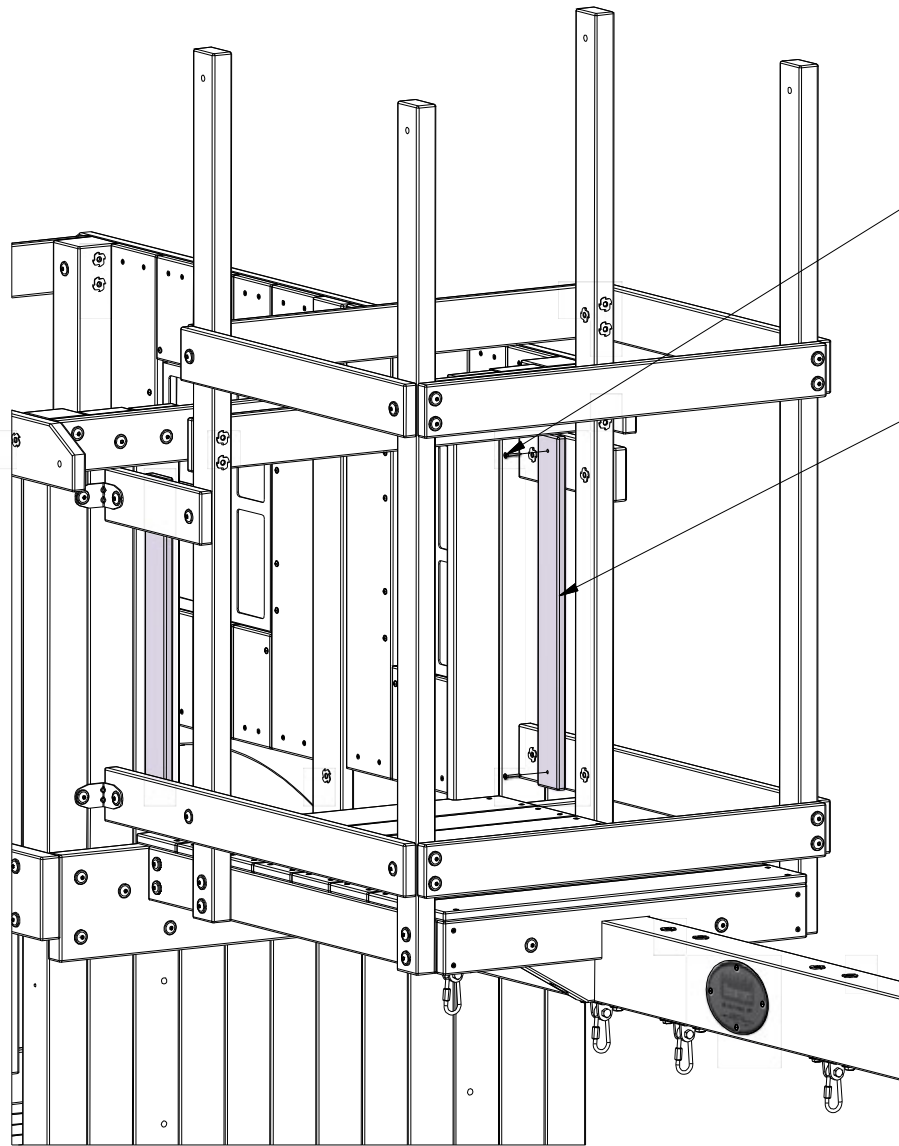


STEP 41 - FORT ASSEMBLY

QTY	PART NUMBER	DESCRIPTION
4	H100387	SCREW PFH 8x1 1/4 BLK

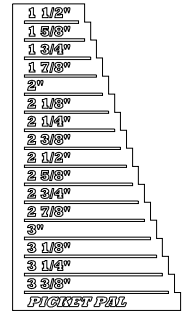


N02 CROWS NEST WALL BOARD - WL18319
 (x2) 5/8"x2 3/8"x22 3/8" (16x60x568)

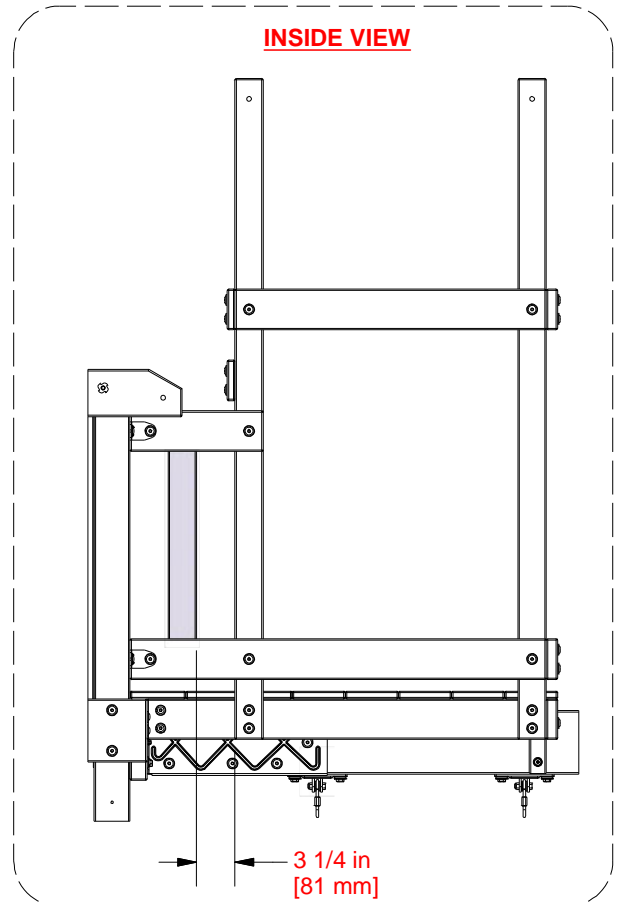


387 (x4)
SCREW - 1 1/4"

N02 (x2)



A6P00410 PICKET PAL
 (x1)

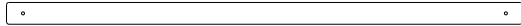


INSIDE VIEW

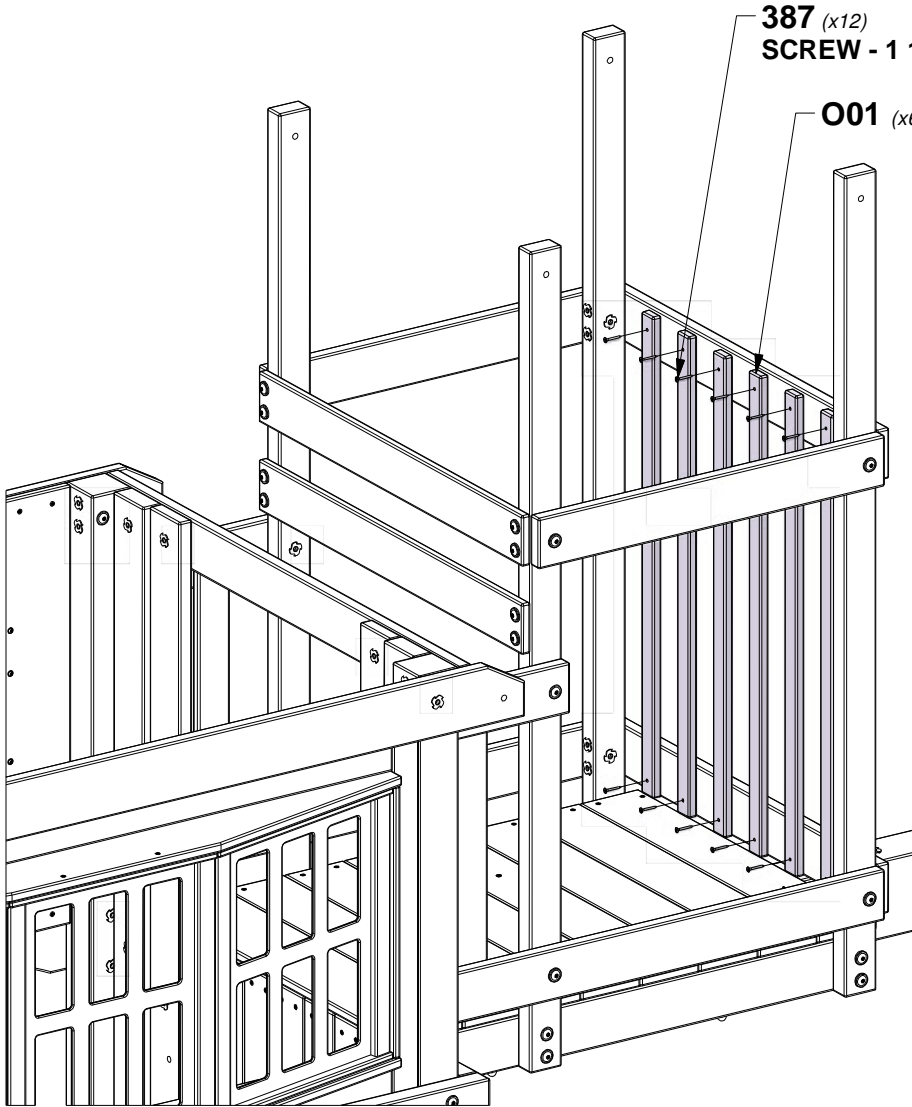
3 1/4 in
[81 mm]

STEP 42 - FORT ASSEMBLY

QTY	PART NUMBER	DESCRIPTION
12	H100387	SCREW PFH 8x1 1/4 BLK

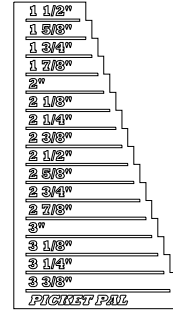


O01 CROWS NEST WALL BOARD - W4L18305
 (x6) 5/8"x1 3/8"x32 1/4" (16x34x819)

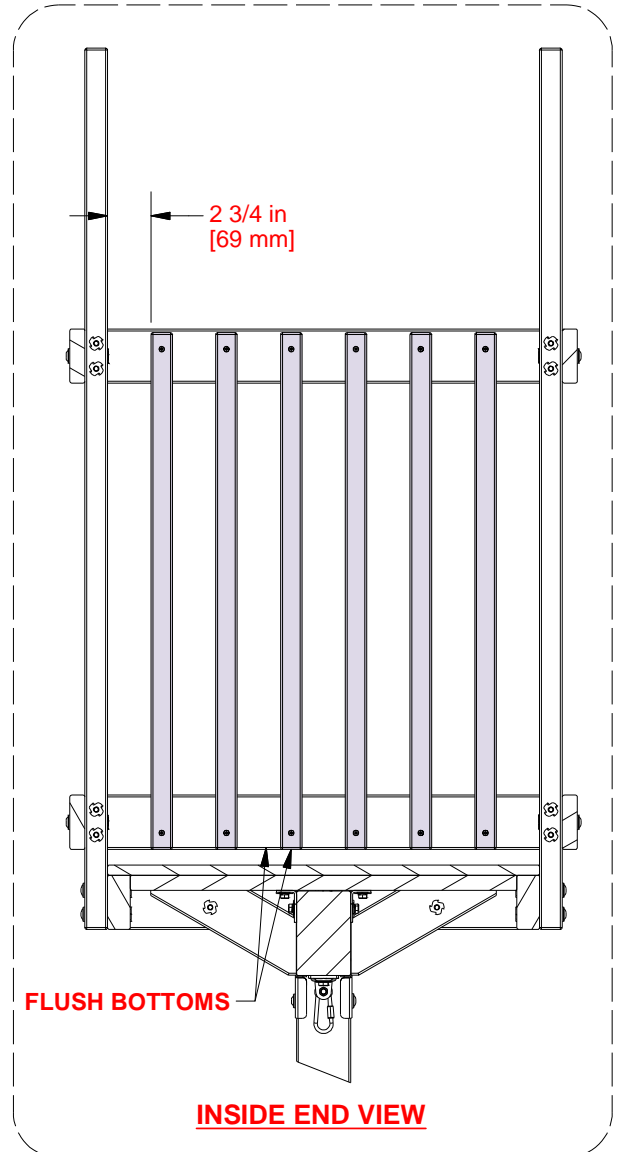


387 (x12)
SCREW - 1 1/4"

O01 (x6)



A6P00410 PICKET PAL
 (x1)



2 3/4 in
[69 mm]

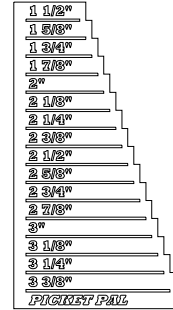
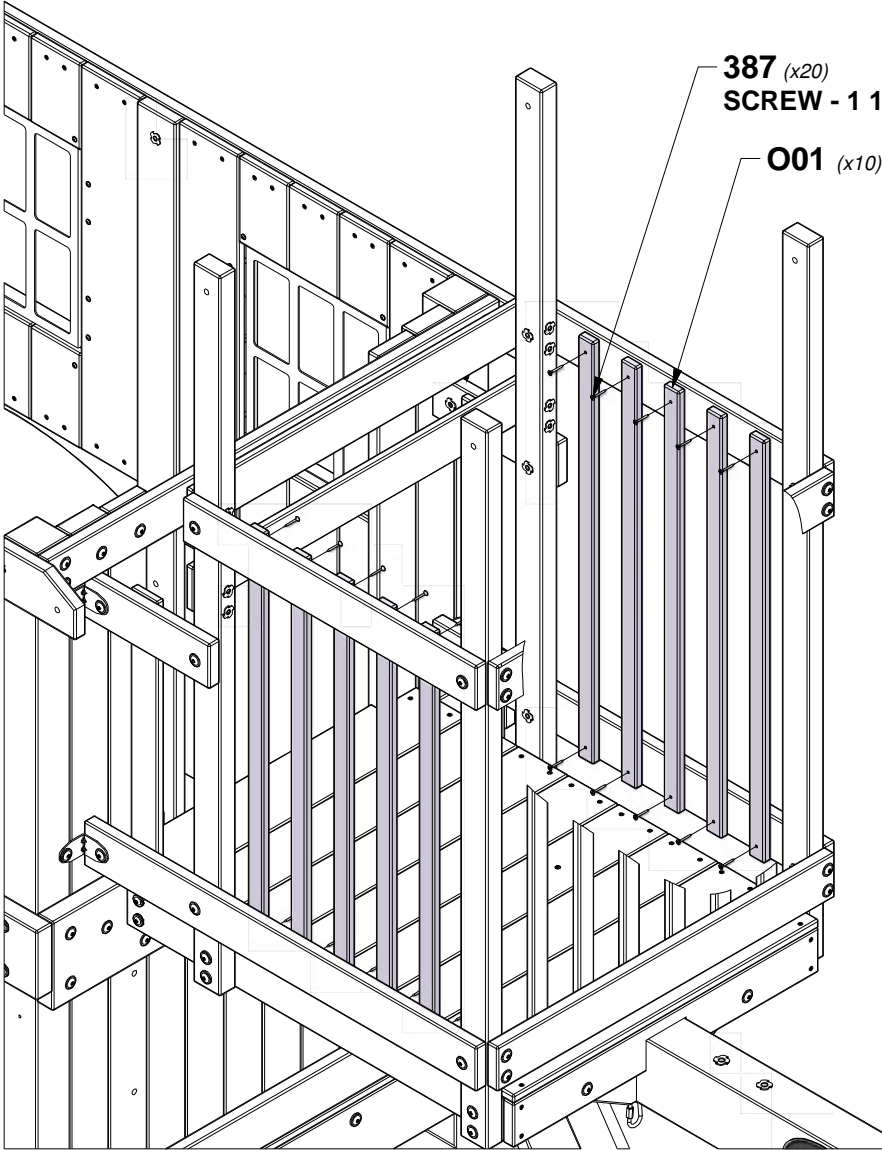
FLUSH BOTTOMS

INSIDE END VIEW

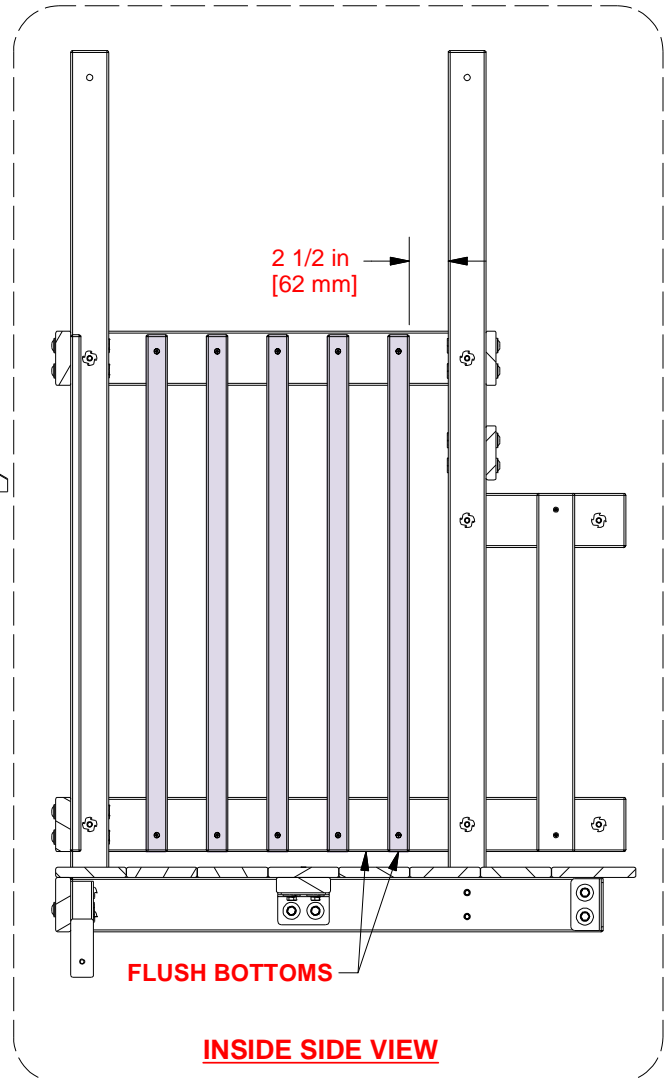
STEP 43 - FORT ASSEMBLY

QTY	PART NUMBER	DESCRIPTION
20	H100387	SCREW PFH 8x1 1/4 BLK

O01 CROWS NEST WALL BOARD - W4L18305
 (x10) 5/8"x1 3/8"x32 1/4" (16x34x819)



A6P00410 PICKET PAL
 (x1)



STEP 44 - FORT ASSEMBLY

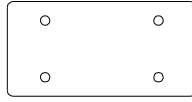
QTY	PART NUMBER	DESCRIPTION
4	H100198	WASHER LOCK EXT 8x19 BLK
4	H100379	T-NUT 5/16 BLK
8	H100392	SCREW PWH 8x3/4 BLK
4	H100484	BOLT WH 5/16x3 1/4 BLK



H20 CROWS NEST WALL RAIL - W4L18299
(x2) 1"x3 3/8"x26" (24x86x660)

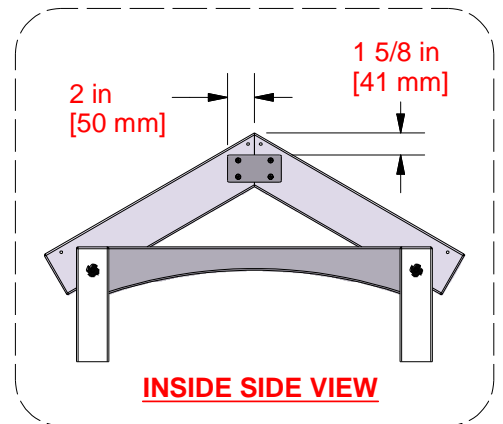
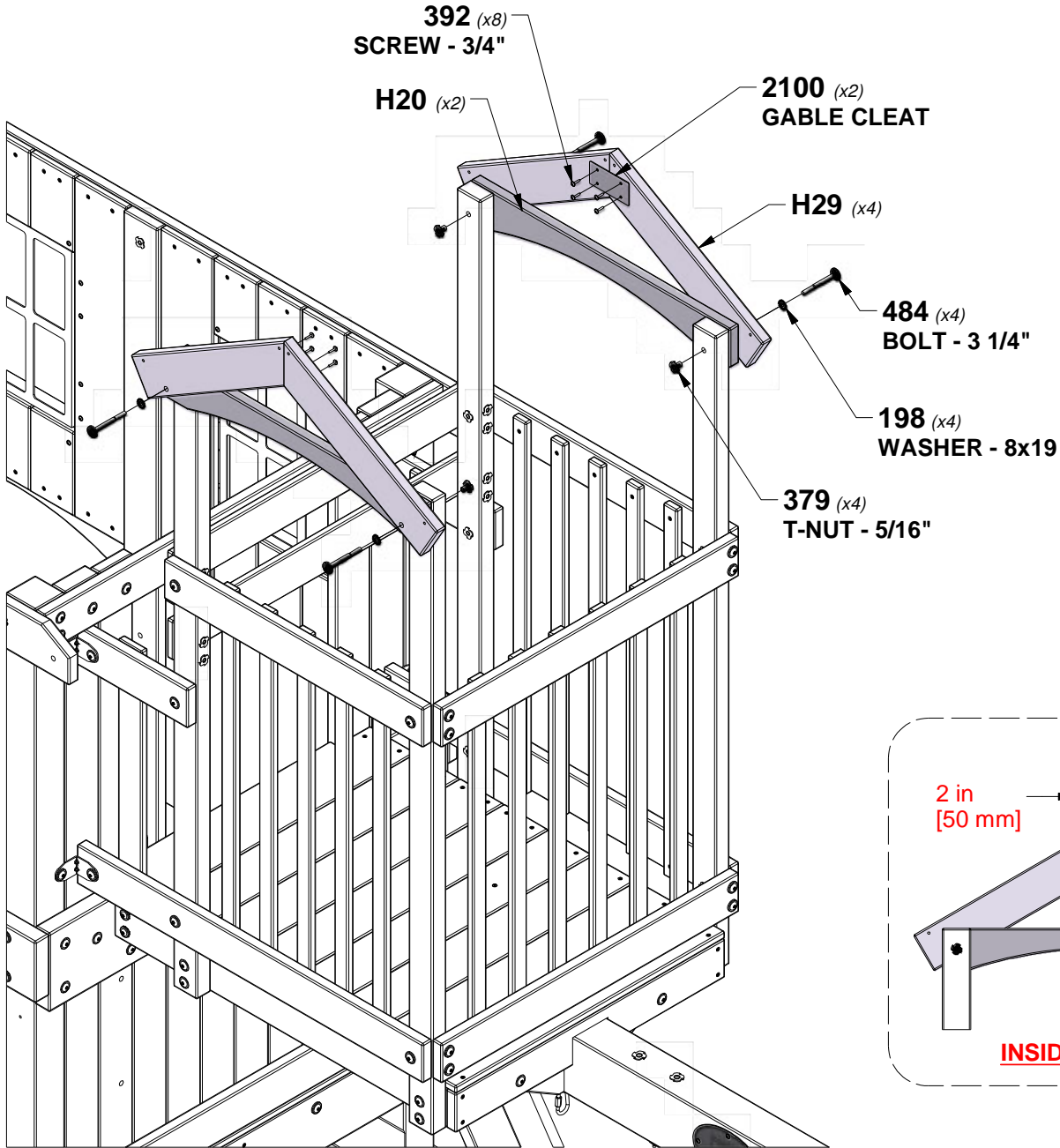


H29 LEFT ROOF RAFTER - W4L18325
(x4) 1"x3 3/8"x17 3/4" (24x86x451)



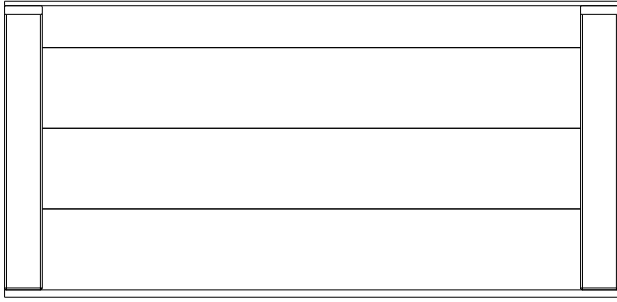
A4M02100 GABLE CLEAT
(x2)

TIP:
INSTALL T-NUTS IN WOOD FIRST

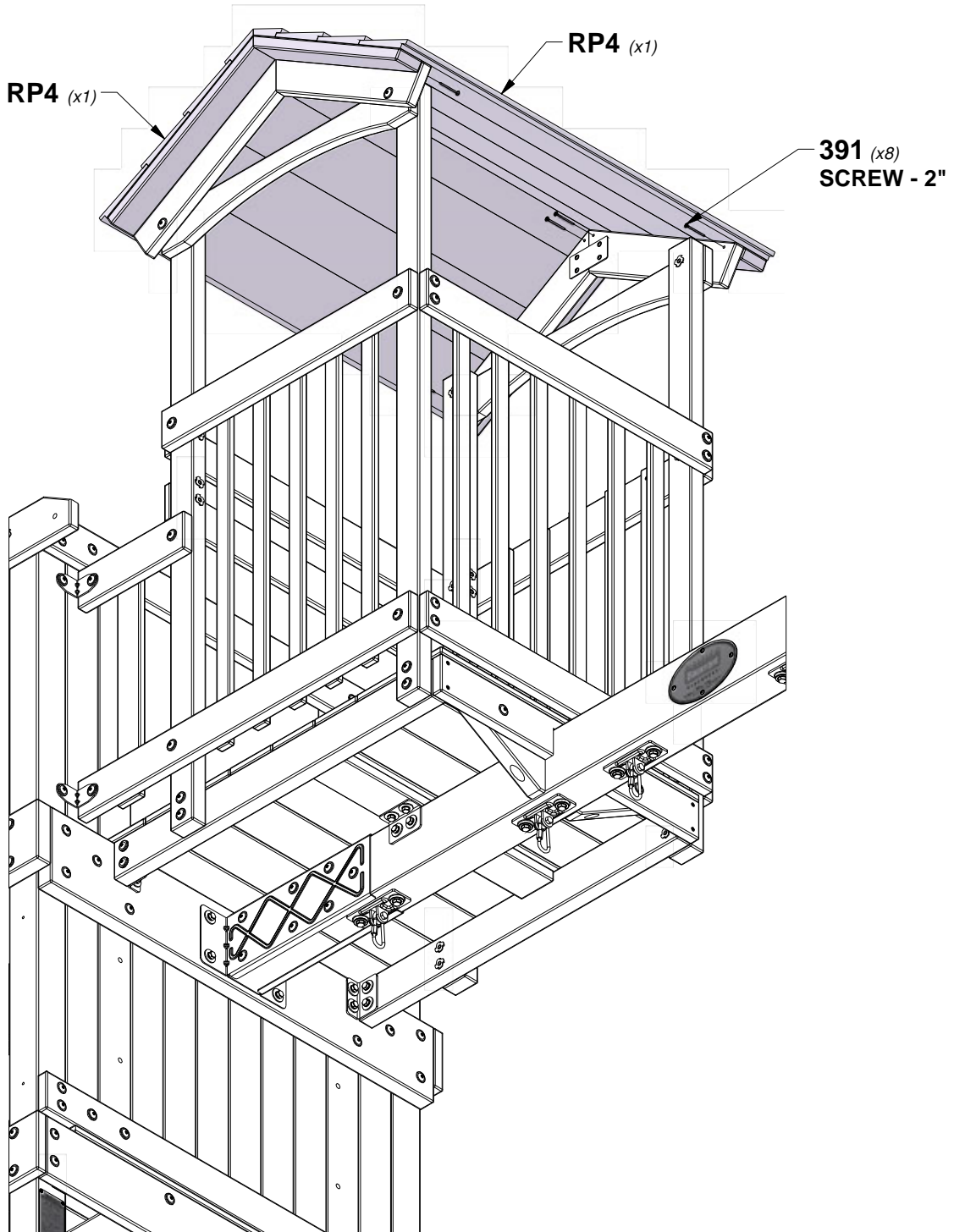


STEP 45 - FORT ASSEMBLY

QTY	PART NUMBER	DESCRIPTION
8	H100391	SCREW PFH 8x2 BLK

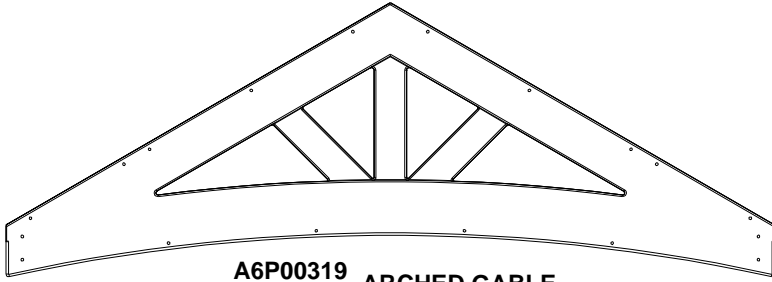


RP4 CROWS NEST ROOF PANEL - W2A03951
(x2) 1 5/8"x18 1/2"x38 3/8" (42x469x975)

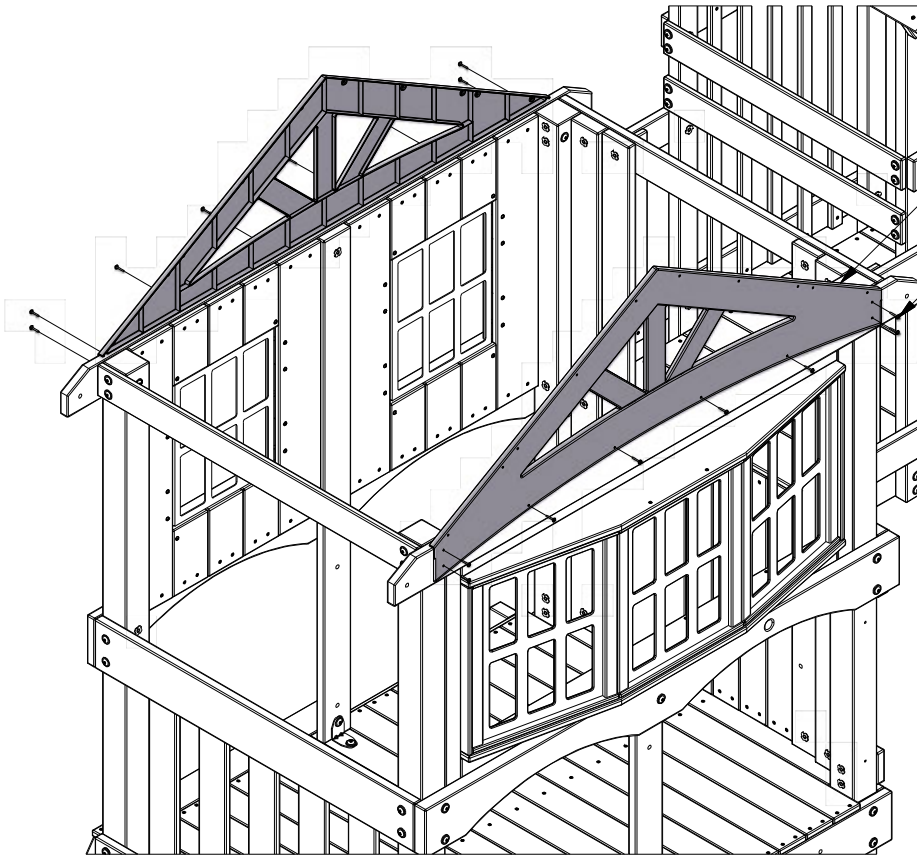


STEP 46 - FORT ASSEMBLY

QTY	PART NUMBER	DESCRIPTION
16	H100797	SCREW PWH 8x1 BLK

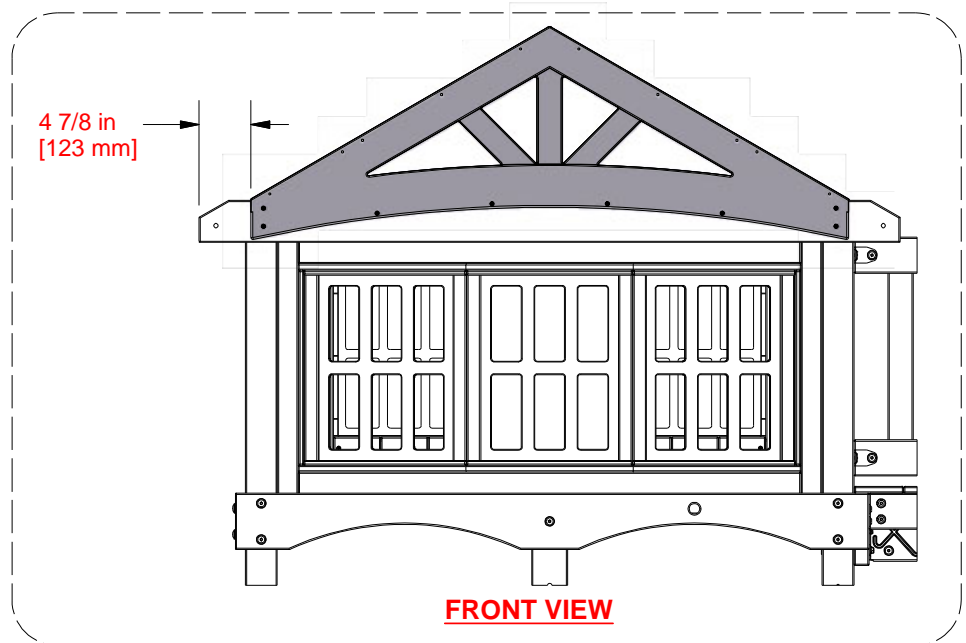


A6P00319
(x2) **ARCHED GABLE**



319 (x2)
ARCHED GABLE

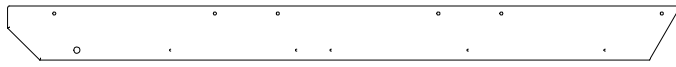
797 (x16)
SCREW - 1"



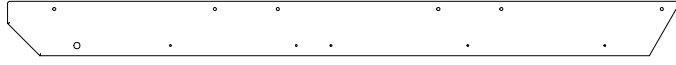
FRONT VIEW

STEP 47 - FORT ASSEMBLY

QTY	PART NUMBER	DESCRIPTION
4	H100192	NUT BARREL WH 5/16x7/8 BLK
4	H100198	WASHER LOCK EXT 8x19 BLK
4	H100199	WASHER LOCK EXT 12x19 BLK
4	H100378	BOLT WH 5/16x1 3/4 BLK
20	H100797	SCREW PWH 8x1 BLK

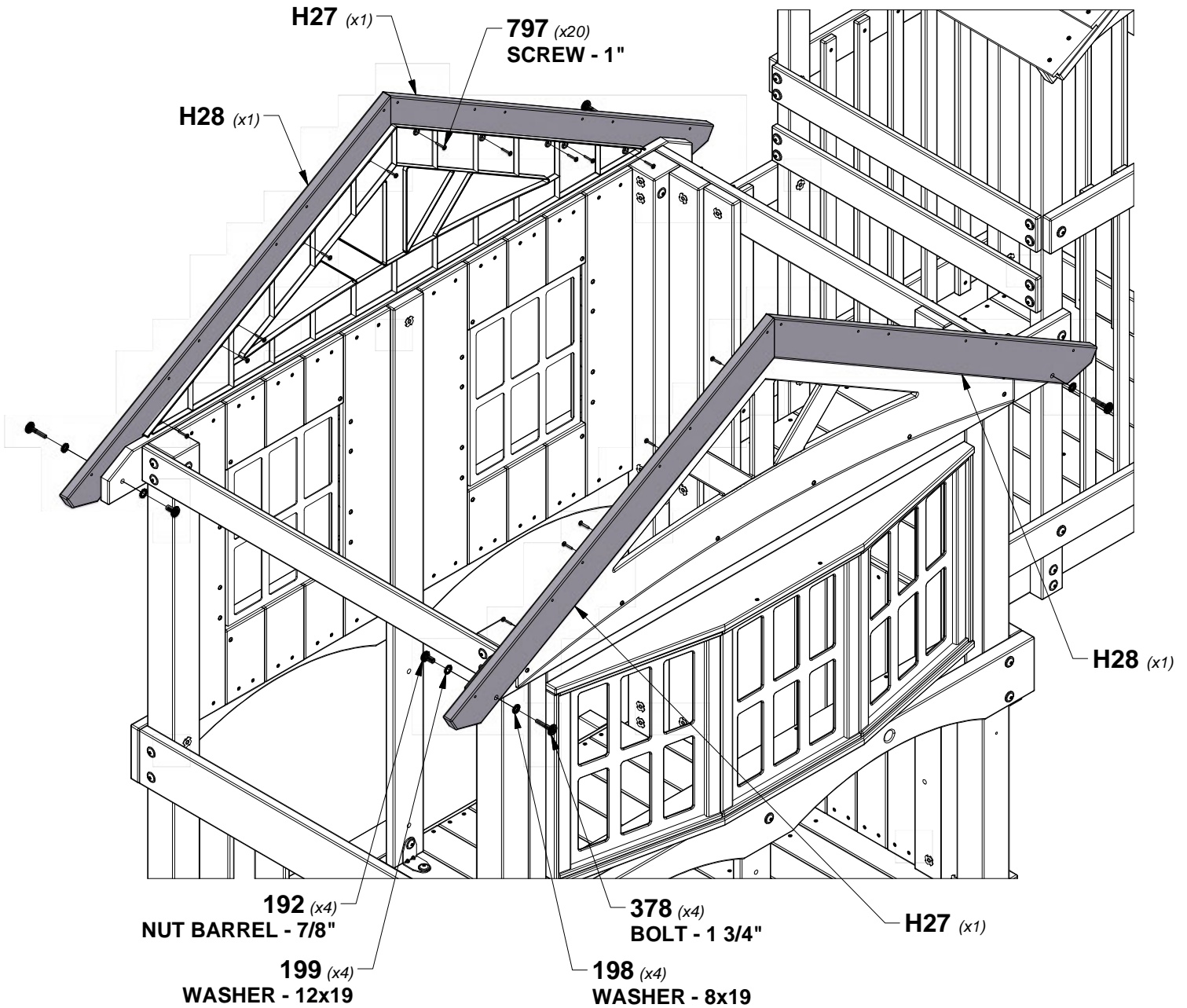


H27 LEFT ROOF RAFTER - W4L18323
(x2) 1"x3 3/8"x42 1/8" (24x86x1069)



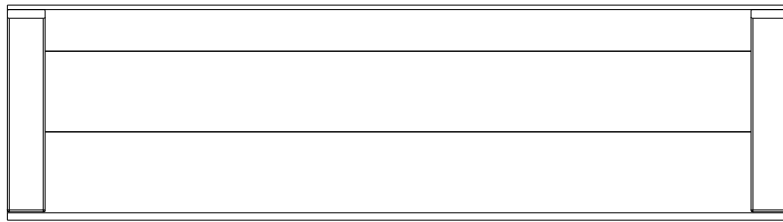
H28 RIGHT ROOF RAFTER - W4L18324
(x2) 1"x3 3/8"x42 1/8" (24x86x1069)

TIP:
ALIGN PILOT HOLES

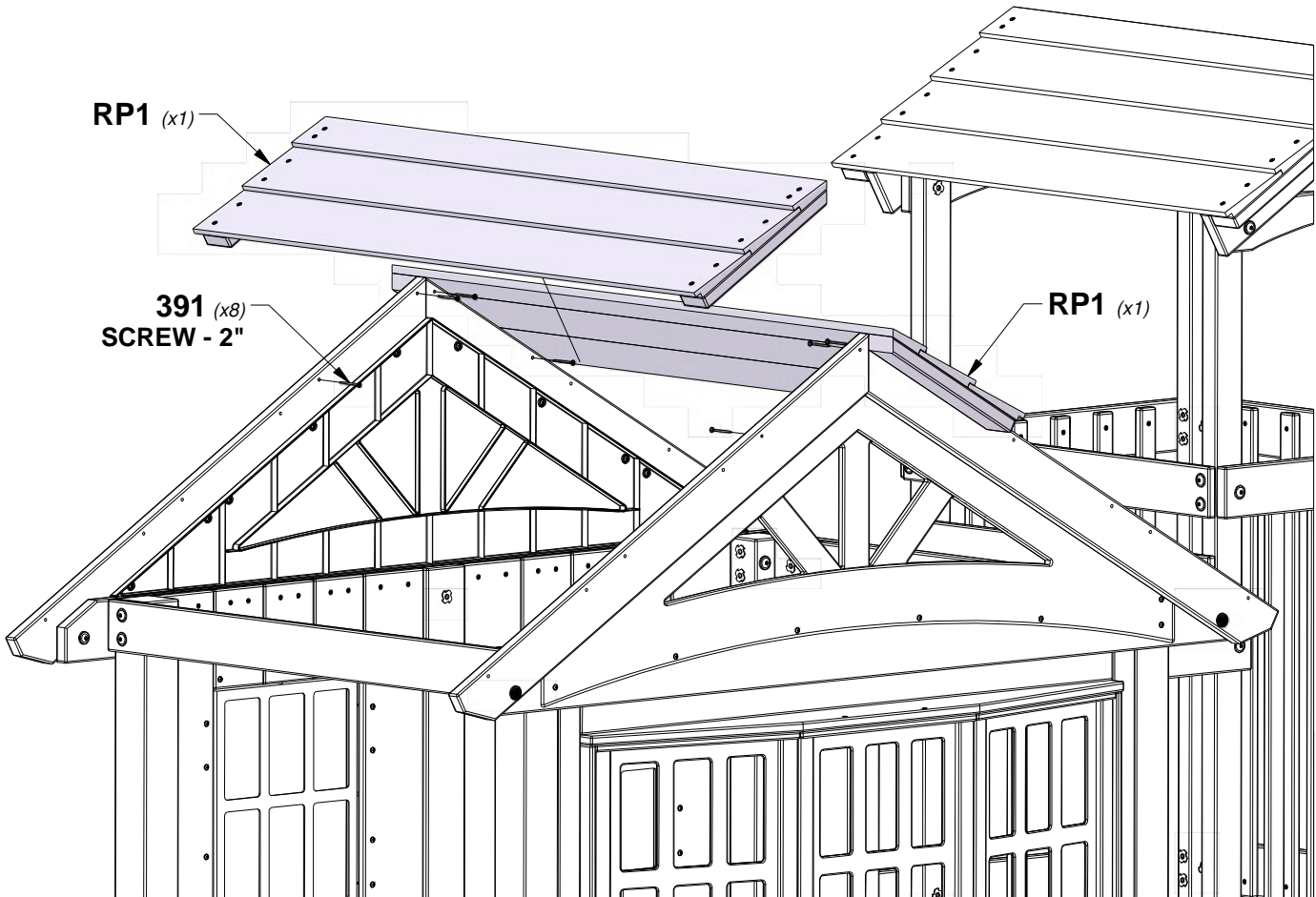


STEP 48 - FORT ASSEMBLY

QTY	PART NUMBER	DESCRIPTION
8	H100391	SCREW PFH 8x2 BLK



RP1 PEAK ROOF PANEL - W2A03948
(x2) 1 5/8"x13 3/8"x48 7/8" (42x341x1241)

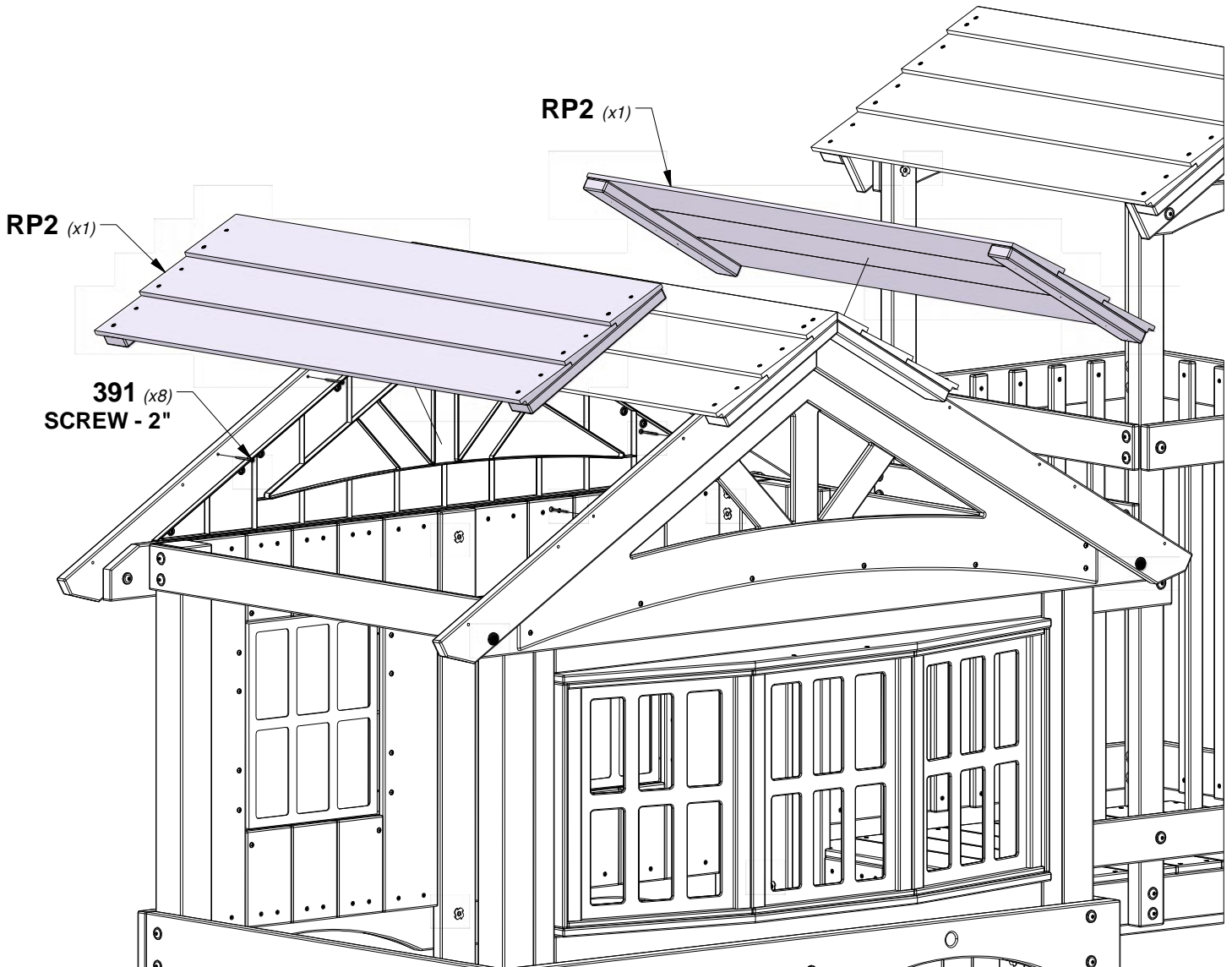


STEP 49 - FORT ASSEMBLY

QTY	PART NUMBER	DESCRIPTION
8	H100391	SCREW PFH 8x2 BLK

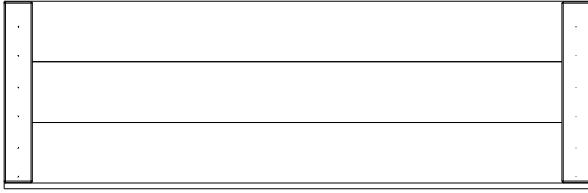


RP2 ROOF PANEL - W2A03947
(x2) 1 5/8"x15 5/8"x59 3/8" (42x396x1241)

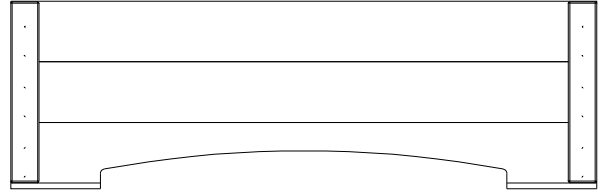


STEP 50 - FORT ASSEMBLY

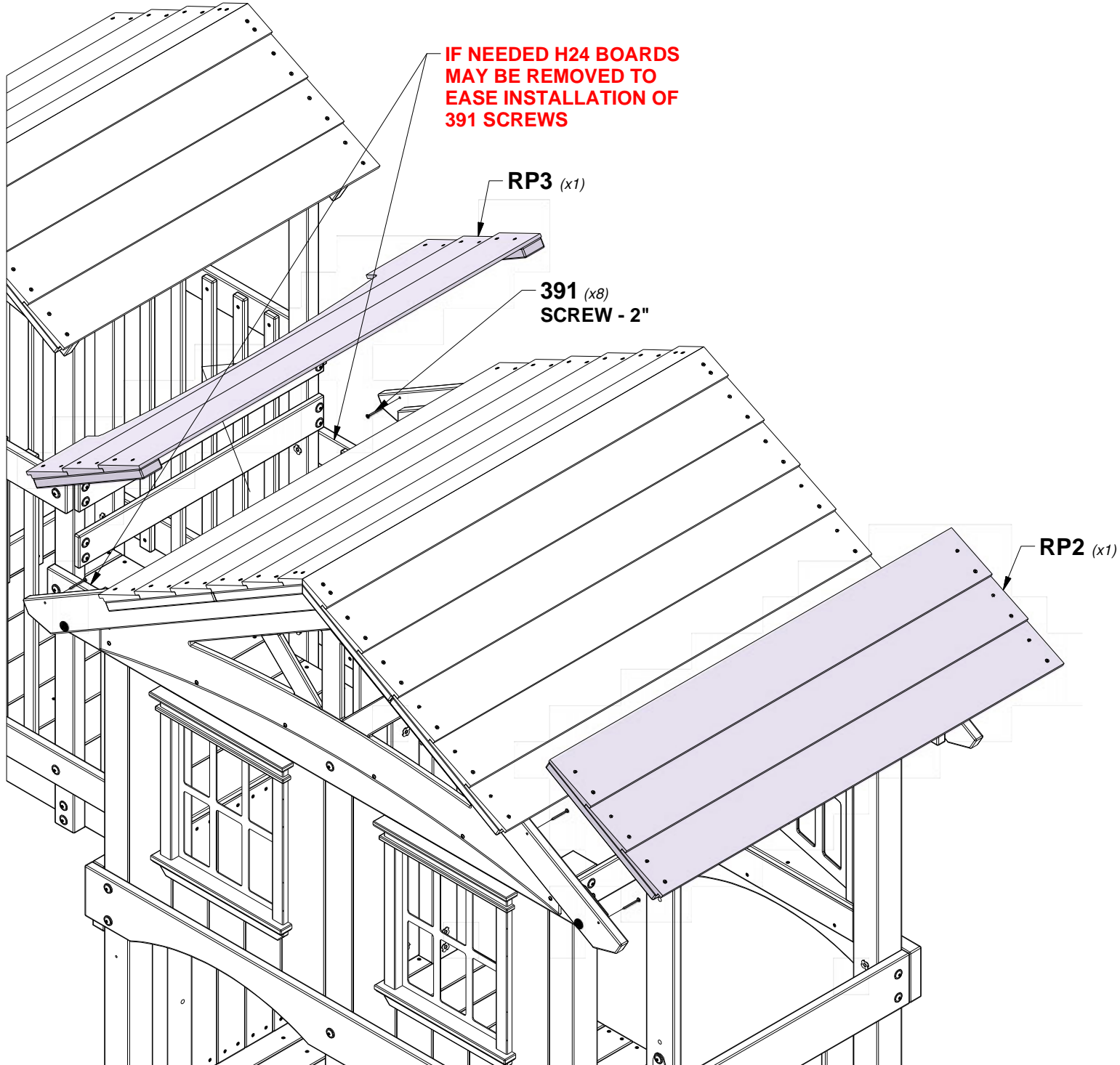
QTY	PART NUMBER	DESCRIPTION
8	H100391	SCREW PFH 8x2 BLK



RP2 ROOF PANEL - W2A03947
(x1) 1 5/8"x15 5/8"x59 3/8" (42x396x1241)

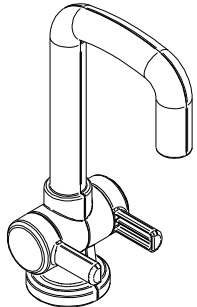


RP3 ROOF PANEL - W2A03949
(x1) 1 5/8"x15 5/8"x59 3/8" (42x396x1241)

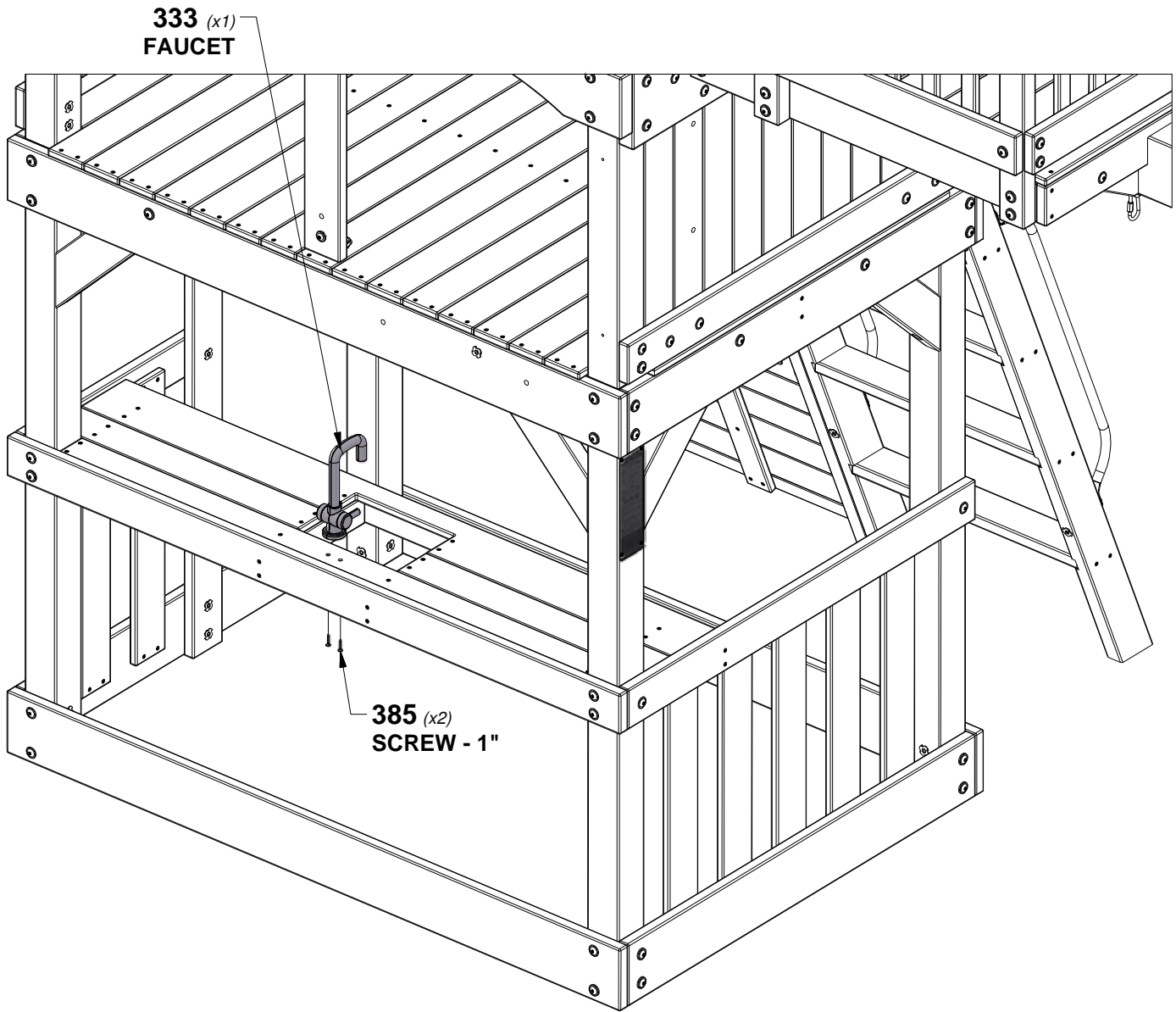


STEP 51 - FORT ASSEMBLY

QTY	PART NUMBER	DESCRIPTION
2	H100385	SCREW PFH 8x1 BLK

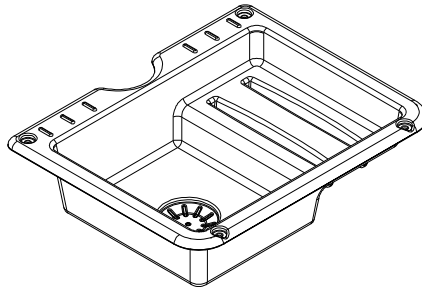


A6P00333
(x1) **FAUCET**

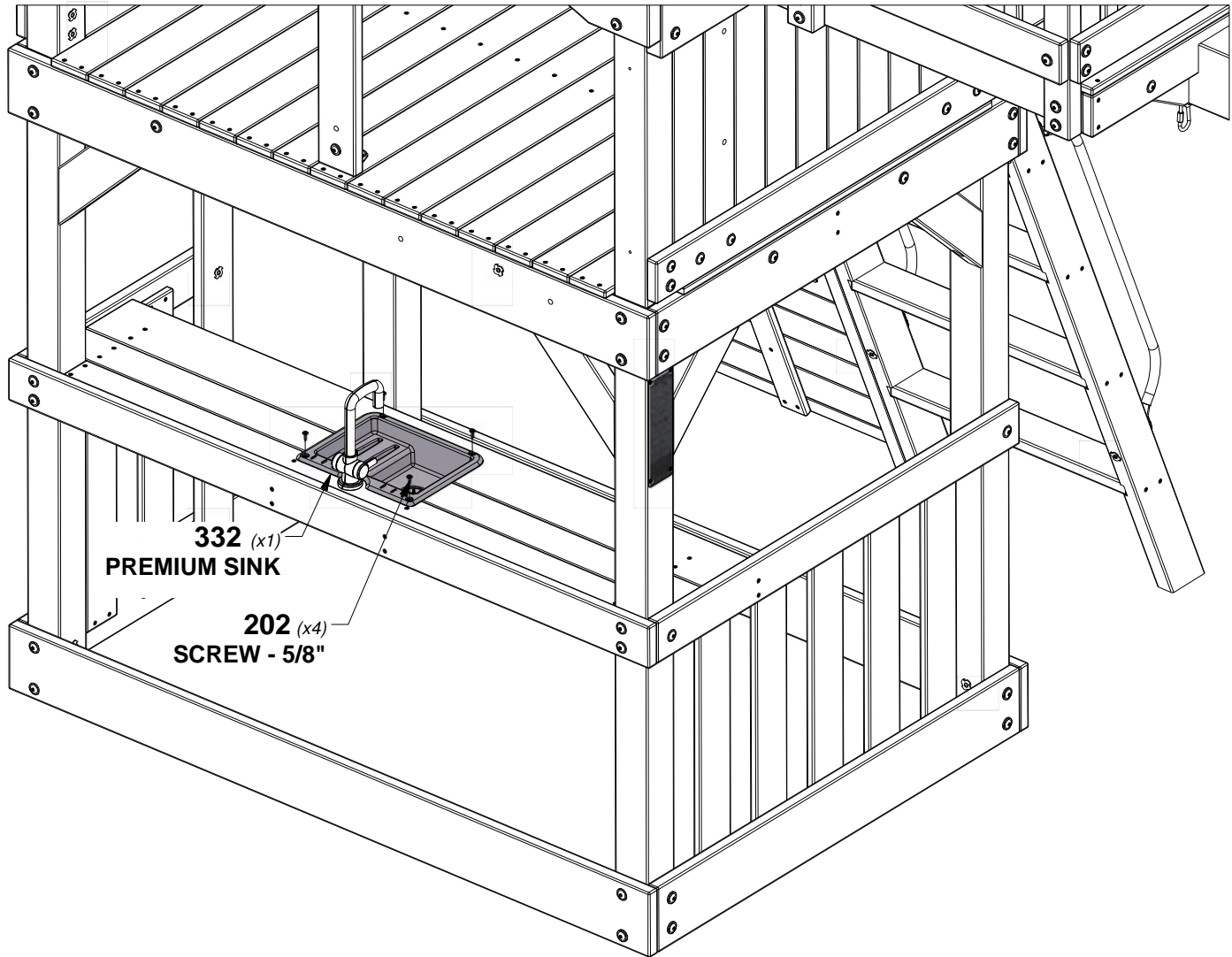


STEP 52 - FORT ASSEMBLY

QTY	PART NUMBER	DESCRIPTION
4	H100202	SCREW PWH 8x5/8 BLK



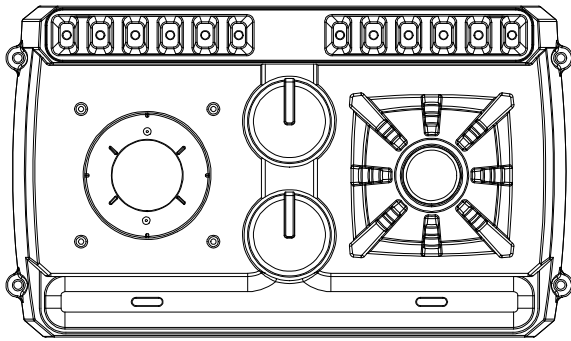
A6P00332
(x1) **PREMIUM SINK**



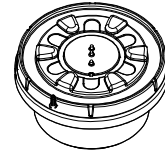
332 (x1)
PREMIUM SINK

202 (x4)
SCREW - 5/8"

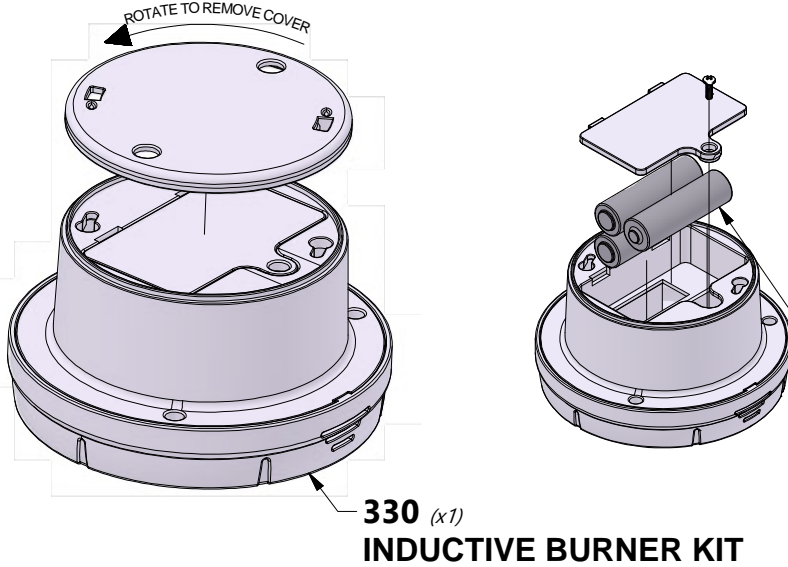
STOVE ASSEMBLY



A6P00335
(x1) **STOVE BASE**



A6P00330
(x1) **INDUCTIVE BURNER KIT**

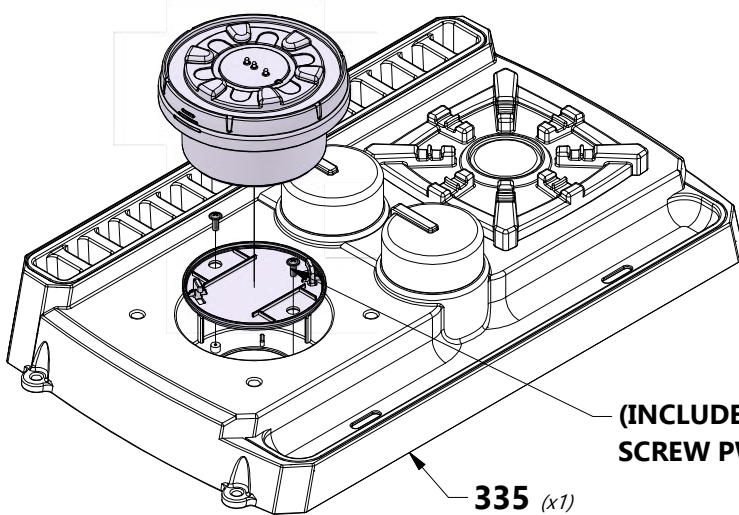


330 (x1)
INDUCTIVE BURNER KIT

NOTE: FCC LABEL

- DO NOT MIX OLD AND NEW BATTERIES.
- DO NOT MIX ALKALINE, STANDARD (CARBON-ZINC), OR RECHARGEABLE (NI-CAD, NI-MH, ETC.) BATTERIES.
- NON-RECHARGEABLE BATTERIES ARE NOT TO BE RECHARGED.
- ONLY BATTERIES OF THE SAME OR EQUIVALENT TYPE AS RECOMMENDED ARE TO BE USED.
- BATTERIES ARE TO BE INSERTED WITH THE CORRECT POLARITY.
- EXHAUSTED BATTERIES ARE TO BE REMOVED FROM THE TOY OR IF THE TOY IS TO BE LEFT UNUSED FOR A LONG TIME.
- THE SUPPLY TERMINALS ARE NOT TO BE SHORT-CIRCUITED.
- RECHARGEABLE BATTERIES ARE TO BE REMOVED FROM TOY BEFORE BEING CHARGED.
- RECHARGEABLE BATTERIES ARE ONLY TO BE CHARGED UNDER ADULT SUPERVISION.

"AA" BATTERY (x3)
(Not Included)



335 (x1)
STOVE BASE

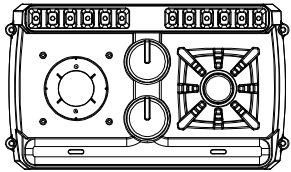
(INCLUDED WITH KIT) (x2)
SCREW PWH 4x5/16

NOTE: THIS DEVICE COMPLIES WITH PART 15 OF THE FCC RULES. OPERATION IS SUBJECT TO THE FOLLOWING TWO CONDITIONS:
(1) THIS DEVICE MAY NOT CAUSE HARMFUL INTERFERENCE,
(2) THIS DEVICE MUST ACCEPT ANY INTERFERENCE RECEIVED, INCLUDING INTERFERENCE THAT MAY CAUSE UNDESIRABLE OPERATION.

NOTE: FIRST INSTALL THE COVER REMOVED ABOVE WITH THE INCLUDED HARDWARE. INSTALL THE BURNER BY TWISTING IT CLOCKWISE TO LOCK IT IN PLACE.

STEP 53 - FORT ASSEMBLY

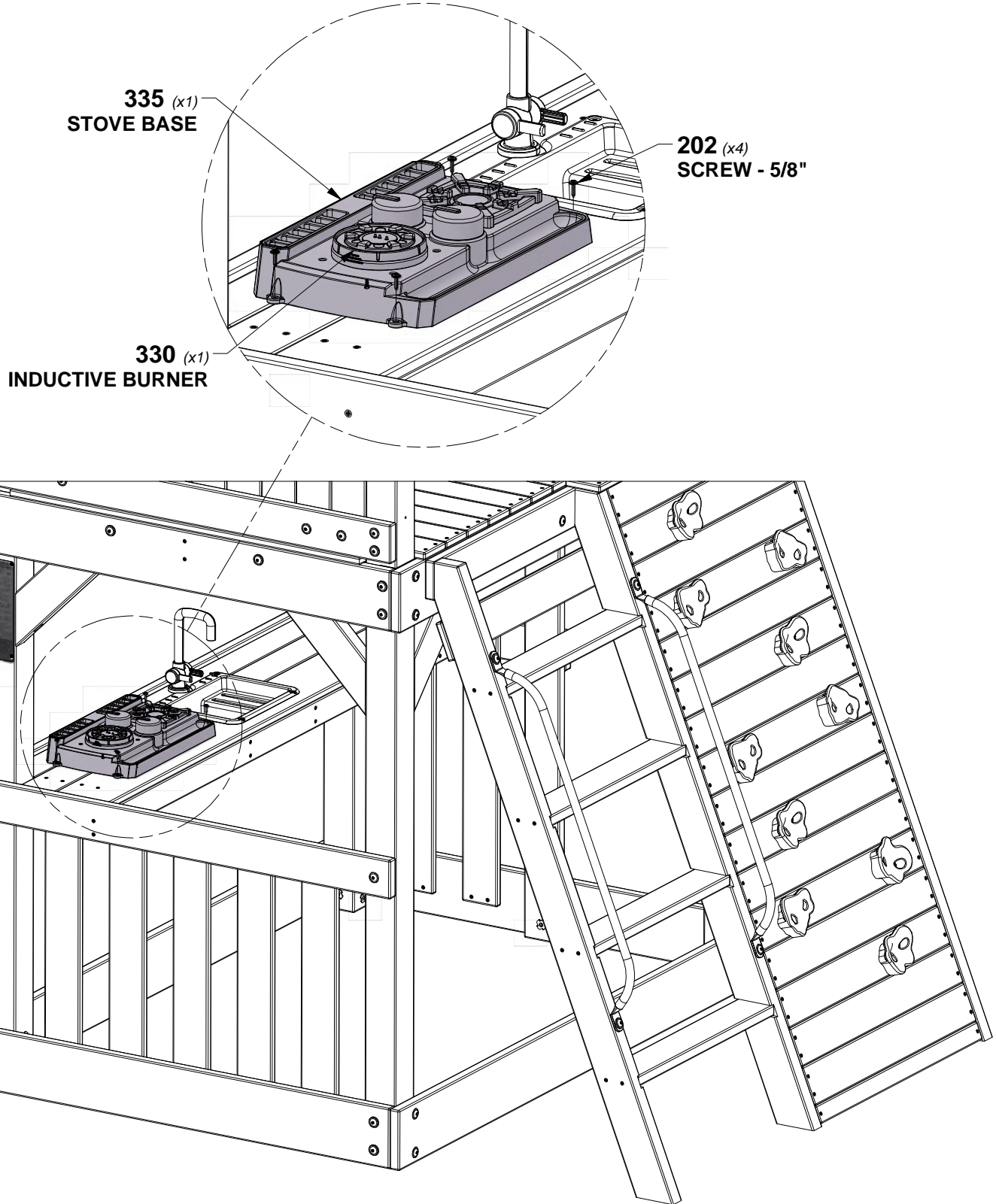
QTY	PART NUMBER	DESCRIPTION
4	H100202	SCREW PWH 8x5/8 BLK



A6P00335
(x1) STOVE BASE

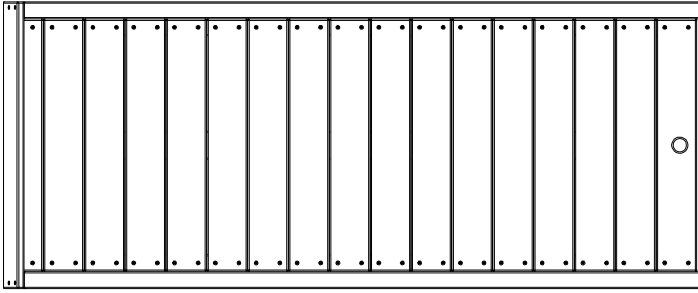


A6P00330
(x1) INDUCTIVE BURNER KIT

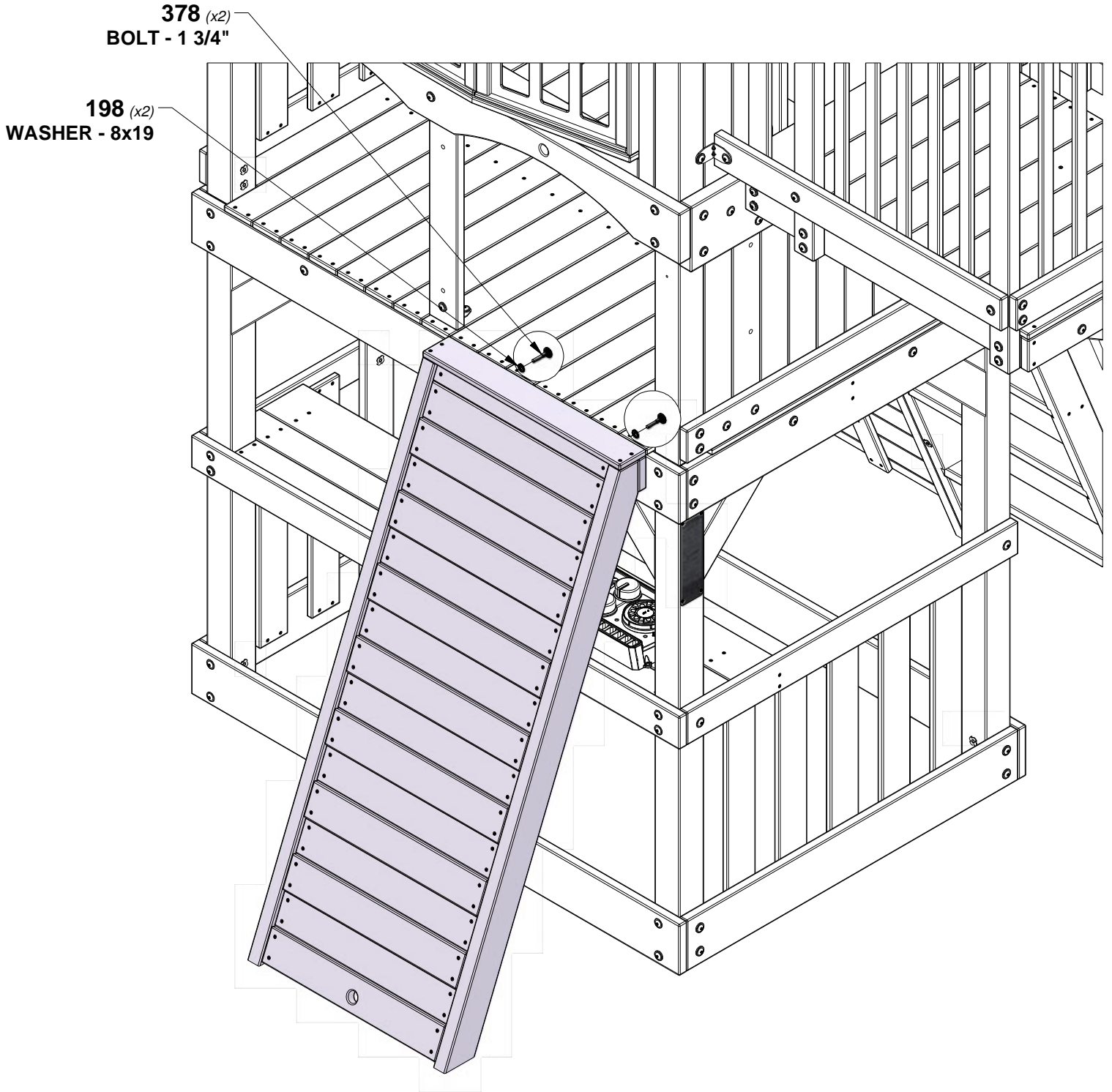


STEP 54 - FORT ASSEMBLY

QTY	PART NUMBER	DESCRIPTION
2	H100378	BOLT WH 5/16x1 3/4 BLK
2	H100198	WASHER LOCK EXT 8x19 BLK

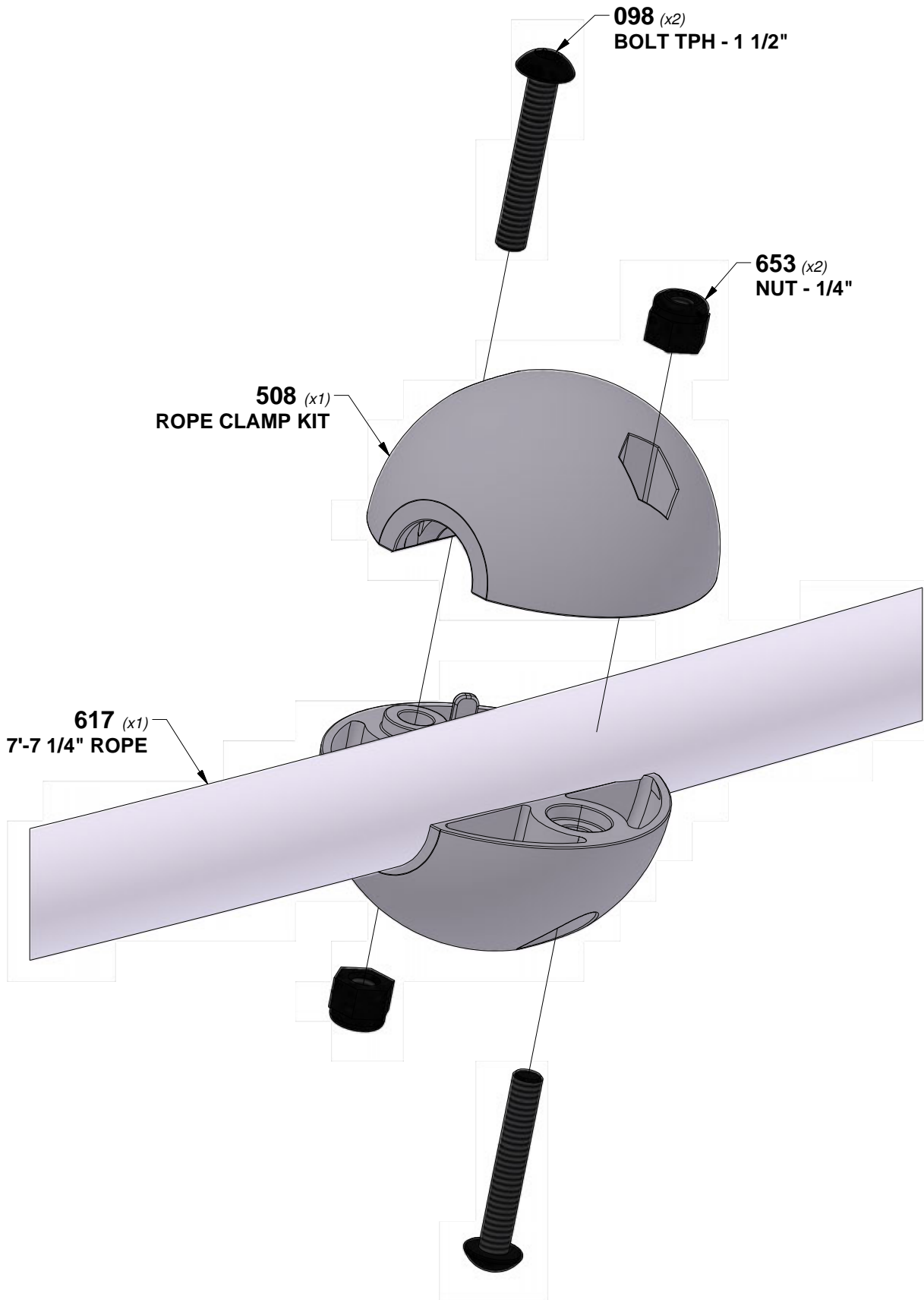


(x1) ROPE WALL ASSEMBLY

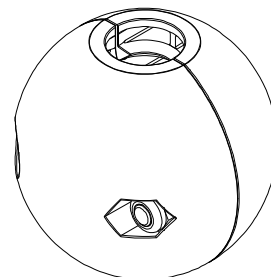
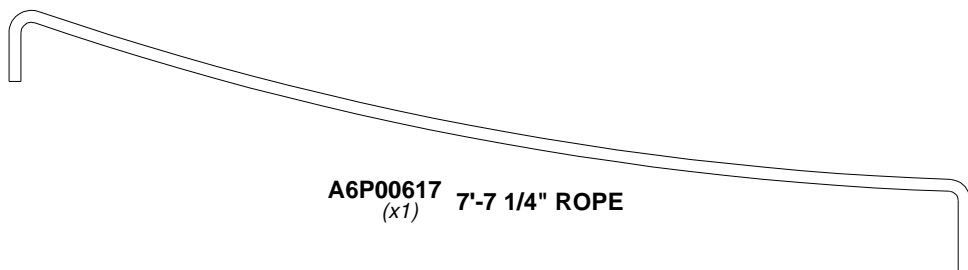


STEP 55 - ROPE CLAMP ASSEMBLY

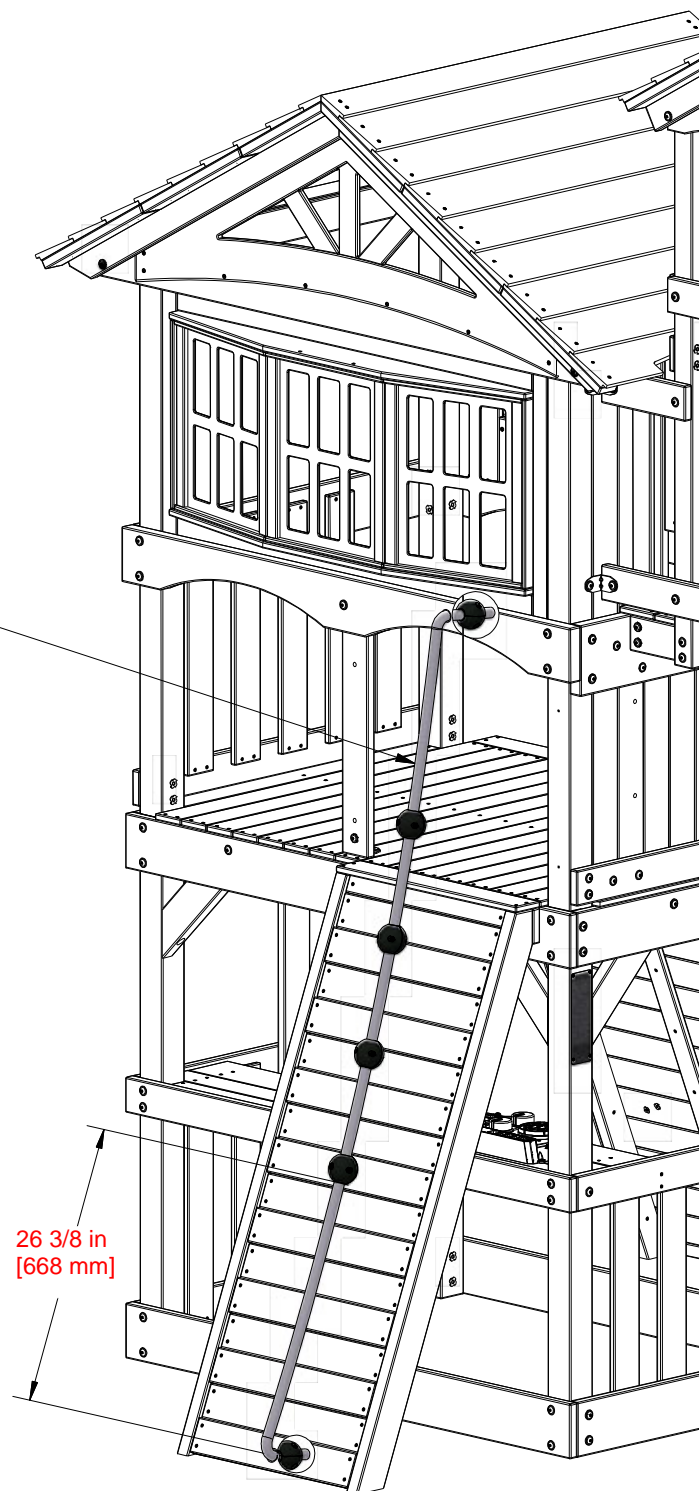
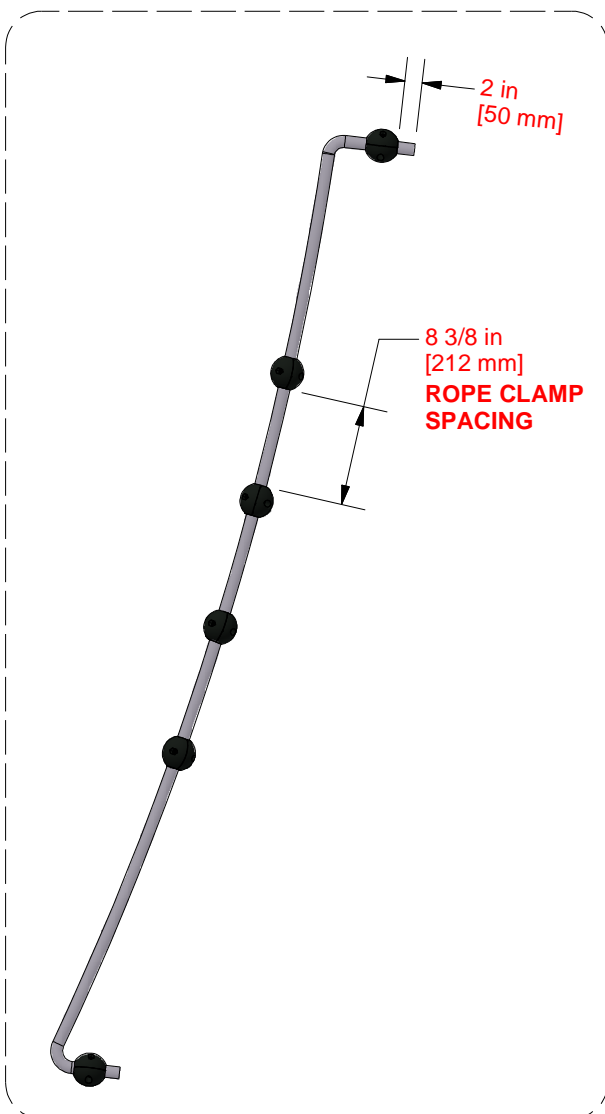
ROPE CLAMP ATTACHED IN NEXT STEP.



STEP 56 - FORT ASSEMBLY

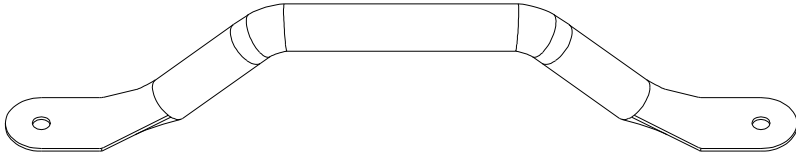


**MINIMUM 2 INCHES [50mm] OF
ROPE OUT OF ROPE CLAMP**



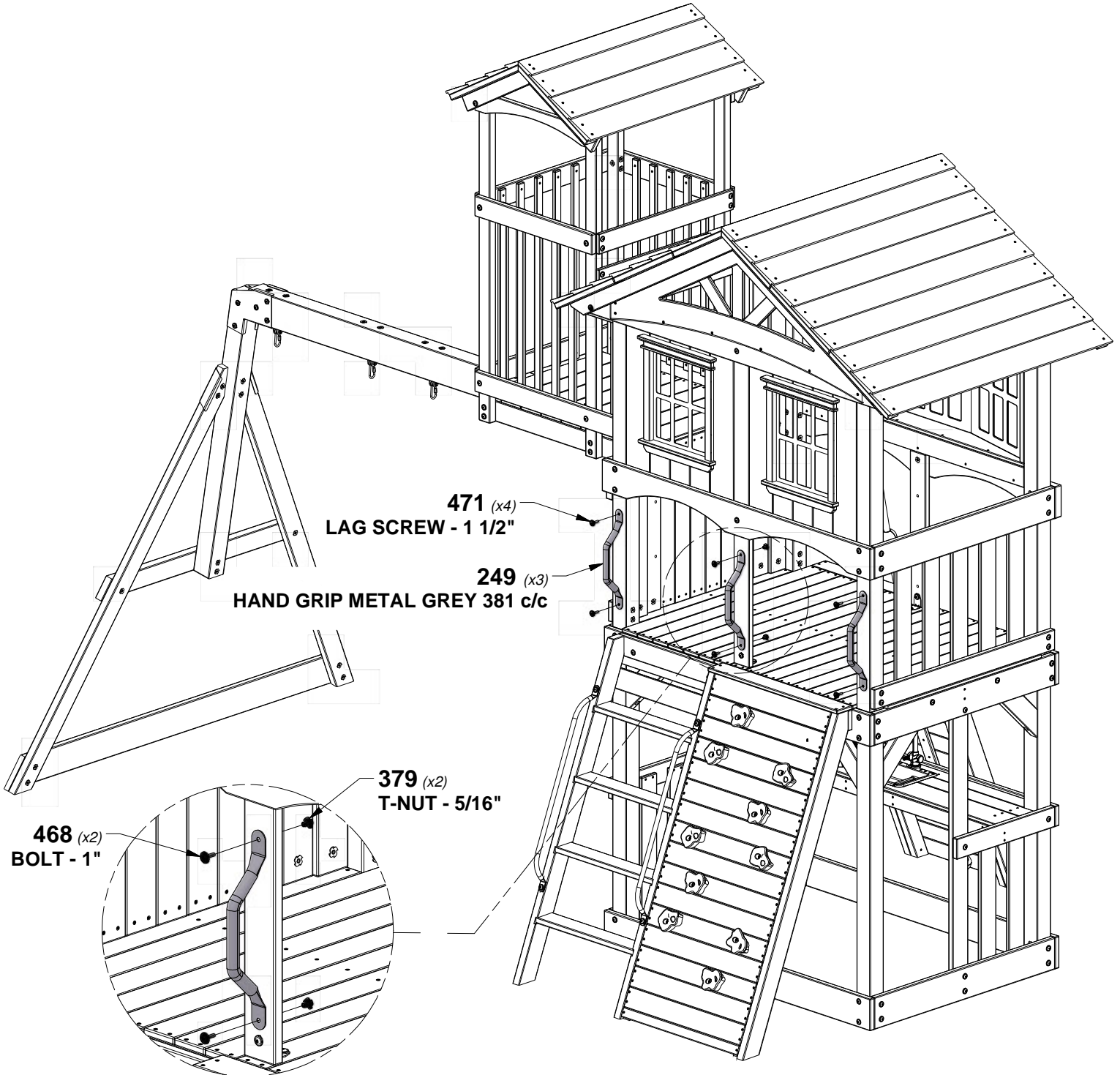
STEP 57 - FORT ASSEMBLY

QTY	PART NUMBER	DESCRIPTION
2	H100468	BOLT WH 5/16x1 BLK
2	H100379	T-NUT 5/16 BLK
4	H100471	LAG SCREW WH 5/16x1 1/2 BLK



A4M02249
(x3) **HAND GRIP METAL GREY 381 C/C**

TIP:
INSTALL T-NUTS IN WOOD FIRST



468 (x2)
BOLT - 1"

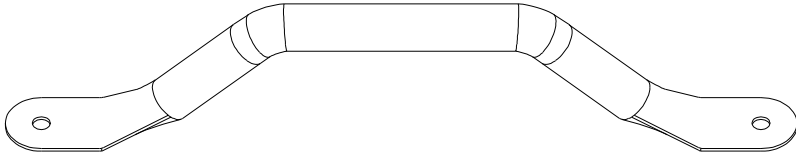
379 (x2)
T-NUT - 5/16"

249 (x3)
HAND GRIP METAL GREY 381 c/c

471 (x4)
LAG SCREW - 1 1/2"

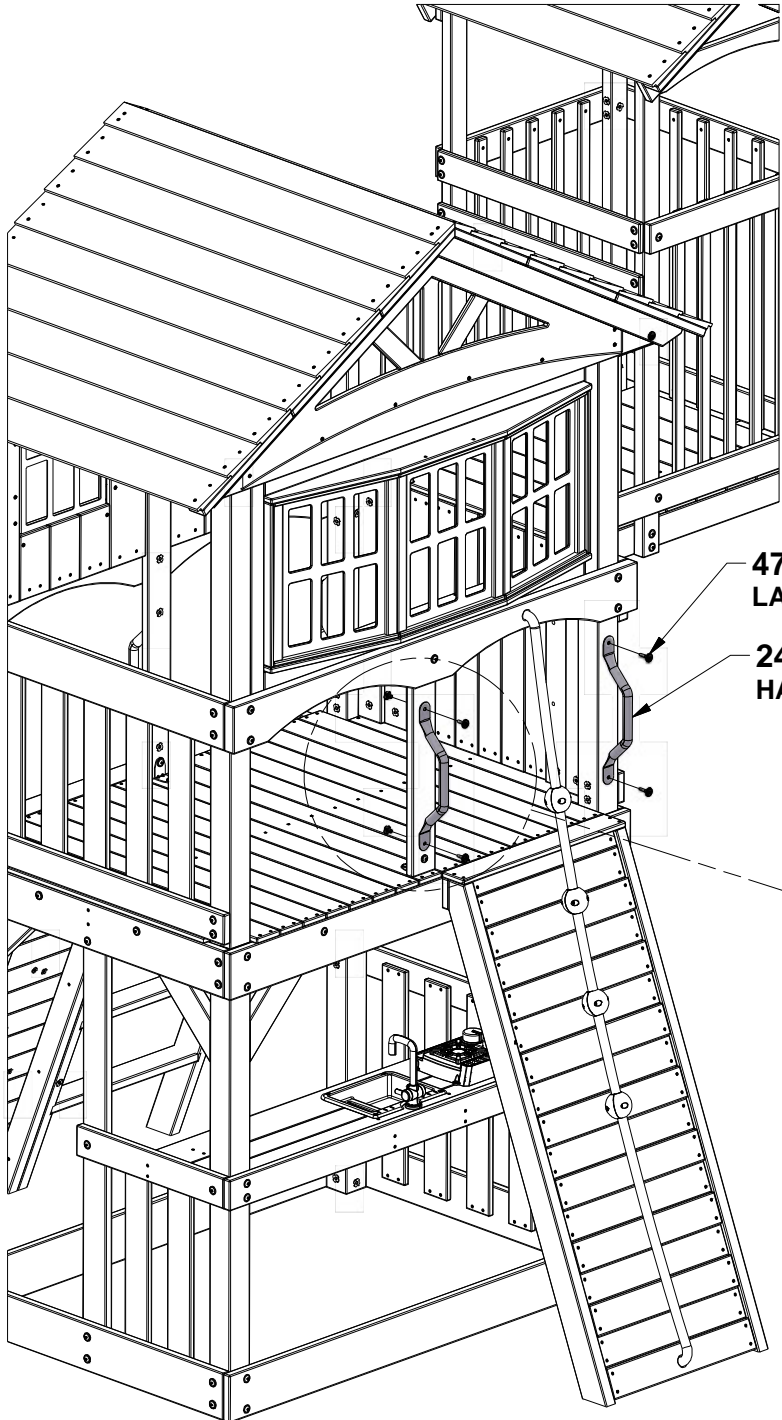
STEP 58 - FORT ASSEMBLY

QTY	PART NUMBER	DESCRIPTION
2	H100468	BOLT WH 5/16x1 BLK
2	H100379	T-NUT 5/16 BLK
2	H100471	LAG SCREW WH 5/16x1 1/2 BLK



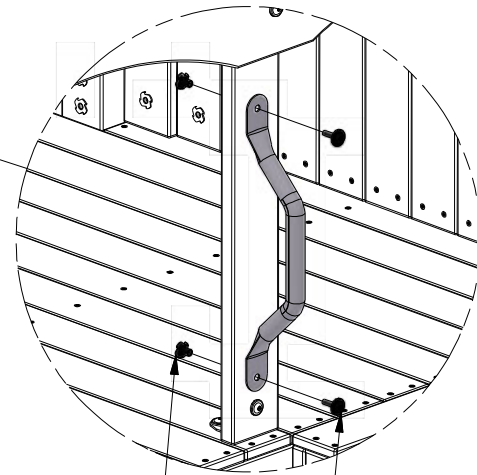
A4M02249
(x2) **HAND GRIP METAL GREY 381 C/C**

TIP:
INSTALL T-NUTS IN WOOD FIRST



471 (x2)
LAG SCREW WH 5/16x1-1/2 BLK

249 (x2)
HAND GRIP METAL GREY 381 c/c

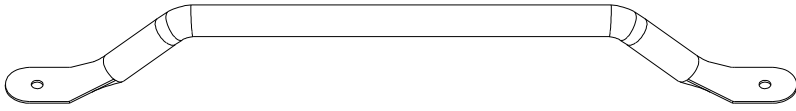


379 (x2)
T-NUT 5/16 BLK

468 (x2)
BOLT WH 5/16x1 BLK

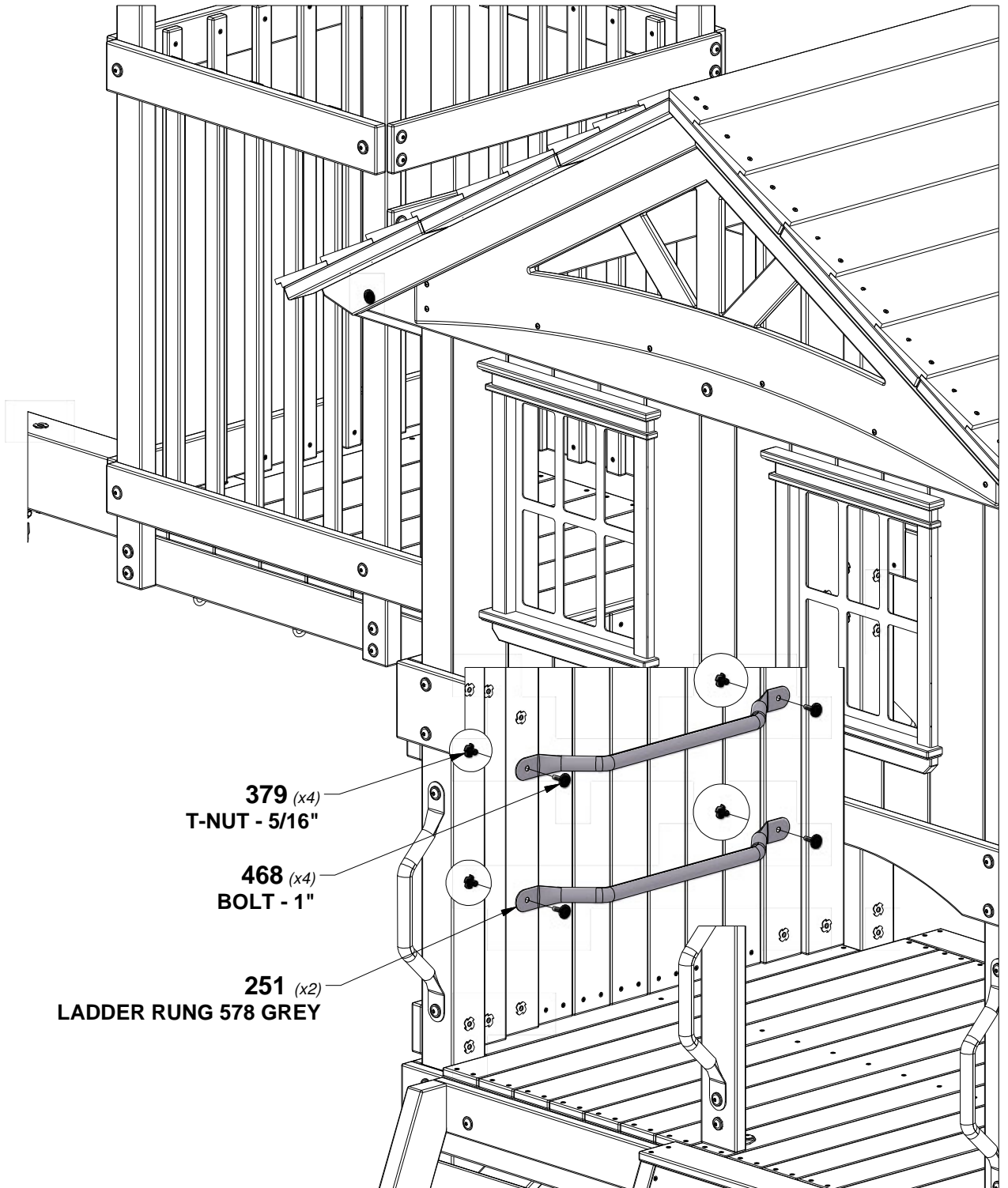
STEP 59 - FORT ASSEMBLY

QTY	PART NUMBER	DESCRIPTION
4	H100468	BOLT WH 5/16x1 BLK
4	H100379	T-NUT 5/16 BLK



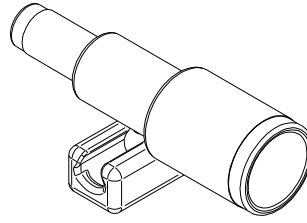
A4M02251
(x2) **LADDER RUNG 578 GREY**

TIP:
INSTALL T-NUTS IN WOOD FIRST

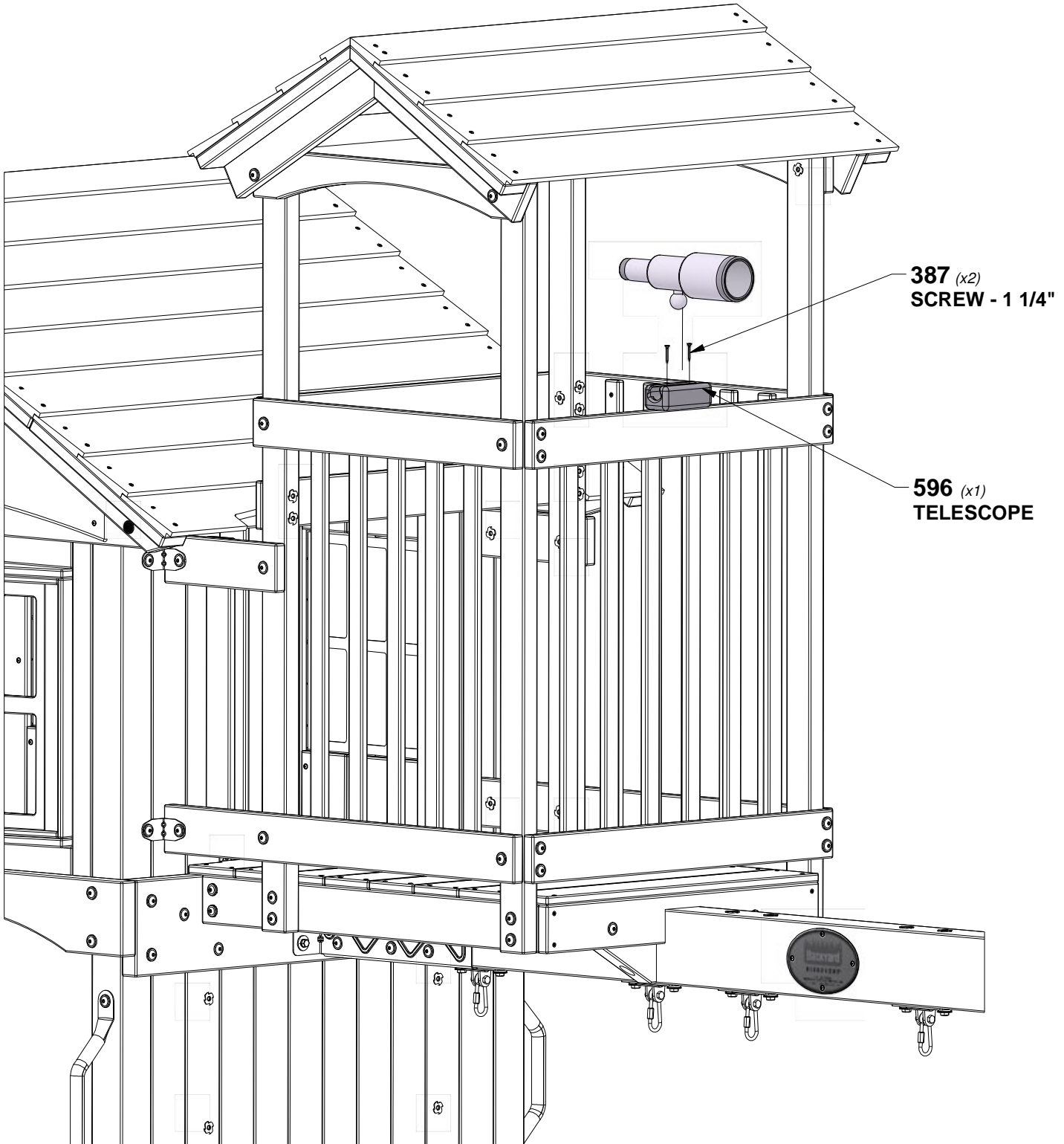


STEP 60 - FORT ASSEMBLY

QTY	PART NUMBER	DESCRIPTION
2	H100387	SCREW PFH 8x1 1/4 BLK



A6P00596
(x1) **TELESCOPE GREY**

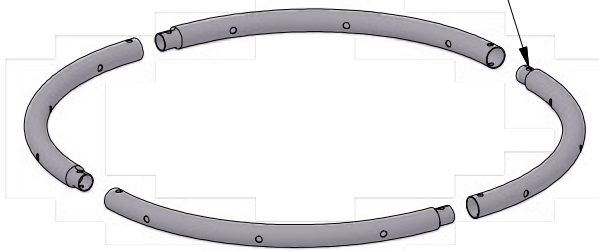


STEP 1 - WEB SWING ASSEMBLY

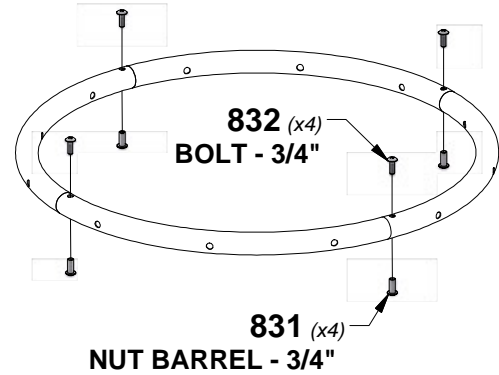
QTY	PART NUMBER	DESCRIPTION
4	H100831	NUT BARREL PTH BLK 1/4x3/4
4	H100832	BOLT PTH 1/4x3/4

IMPORTANT: SLIDE ROPE LOOPS OVER TUBE ENDS FIRST!

SLIDE NARROW END OF TUBES INTO LARGER OPENING AFTER SLIDING ROPE LOOPS ONTO TUBES.

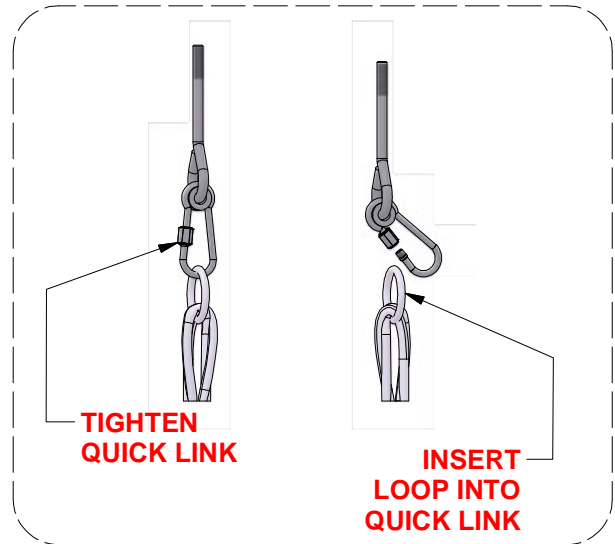


NOTE: ROPE WEBBING NOT SHOWN IN ILLUSTRATION FOR CLARITY.

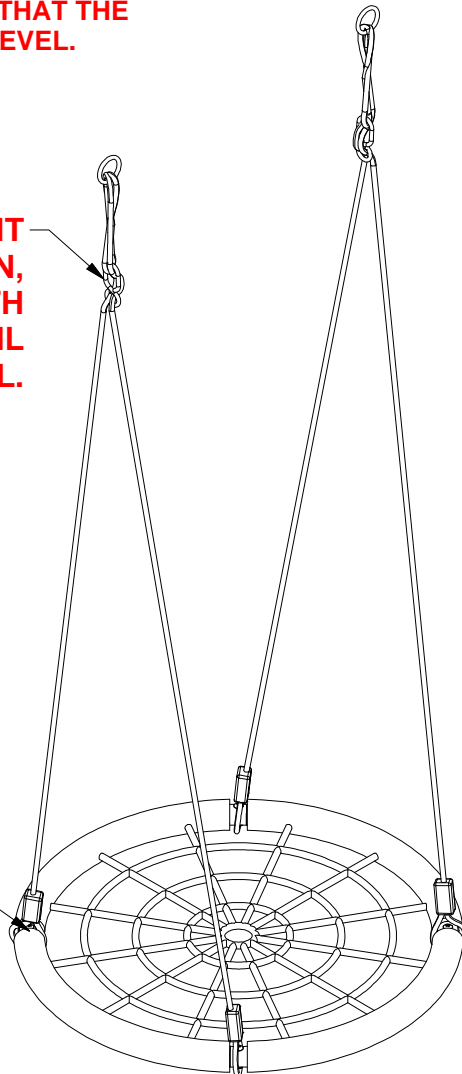


NOTE: IT IS IMPORTANT THAT THE WEB SWING HANG LEVEL.

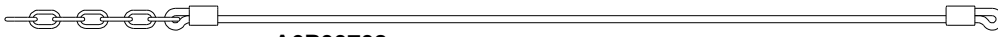
TO ENSURE STRAIGHT SWINGING MOTION, ADJUST BOTH "S" BRACKETS UNTIL WEB SEAT IS LEVEL.



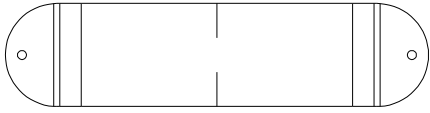
SWING MUST BE SET AT A MINIMUM OF 8 INCHES OFF THE GROUND WHEN INSTALLED.



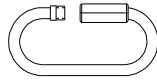
STEP 61 - FORT ASSEMBLY



A6P00708
(x4) **ROPE-CHAIN BLACK 51.25"**



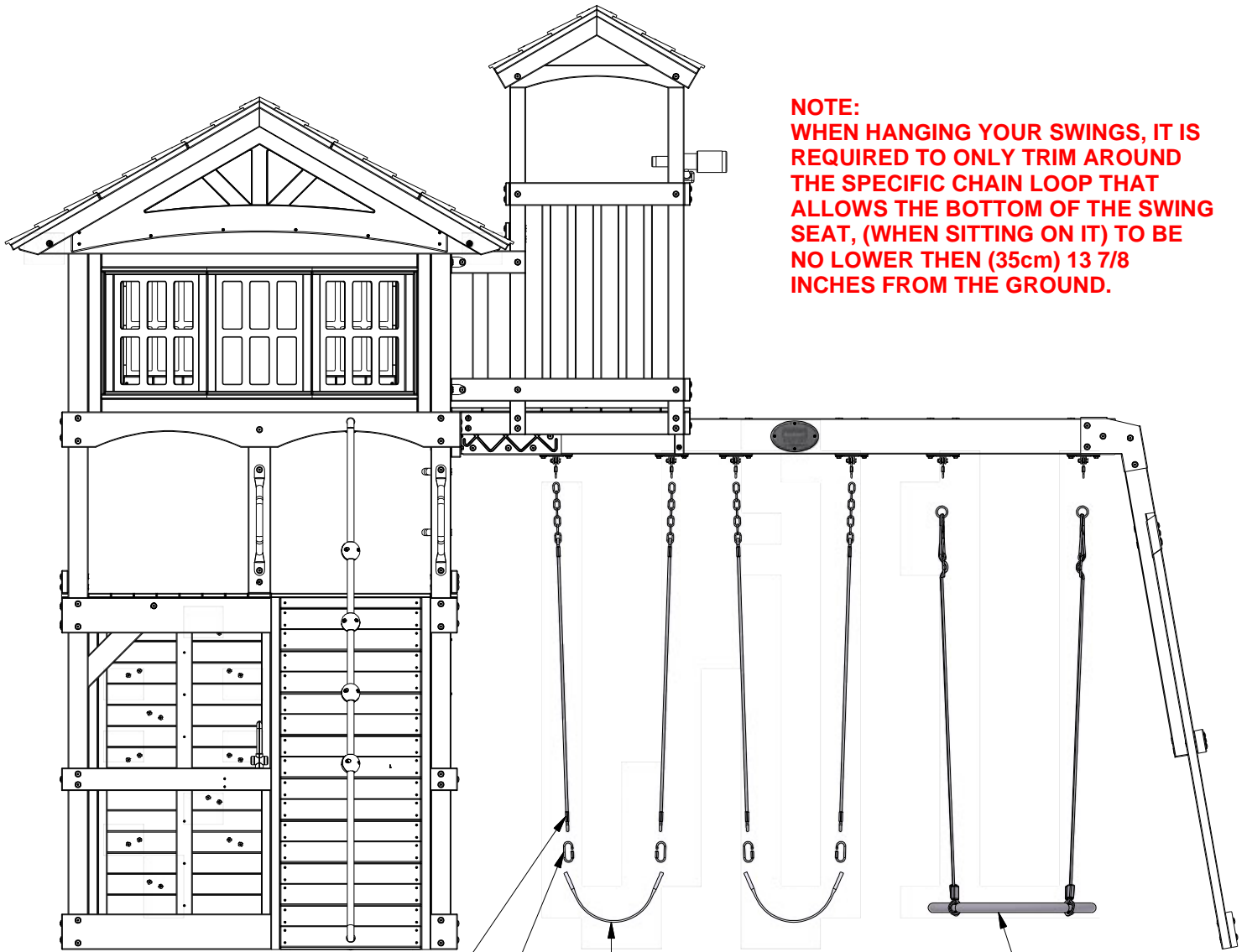
A6P00595
(x2) **SWING SEAT GREY 22"**



A4M00633
(x4) **QUICK LINK BLK**



A4M01415
(x1) **26" WEB SWING**



NOTE:
WHEN HANGING YOUR SWINGS, IT IS
REQUIRED TO ONLY TRIM AROUND
THE SPECIFIC CHAIN LOOP THAT
ALLOWS THE BOTTOM OF THE SWING
SEAT, (WHEN SITTING ON IT) TO BE
NO LOWER THEN (35cm) 13 7/8
INCHES FROM THE GROUND.

708 (x4)
ROPE-CHAIN BLACK 51.25"

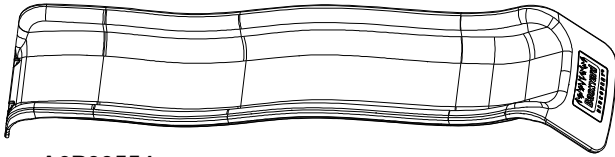
633 (x4)
QUICK LINK BLK

595 (x2)
SWING SEAT GREY 22"

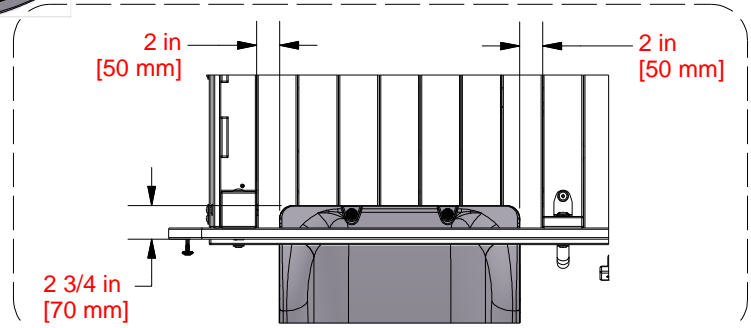
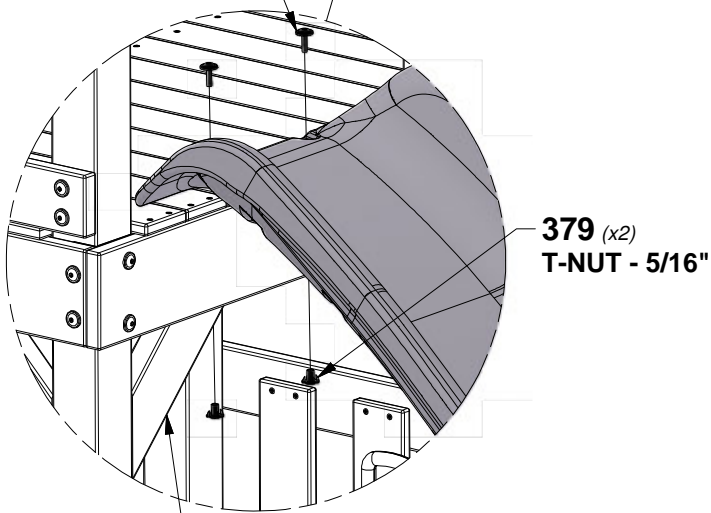
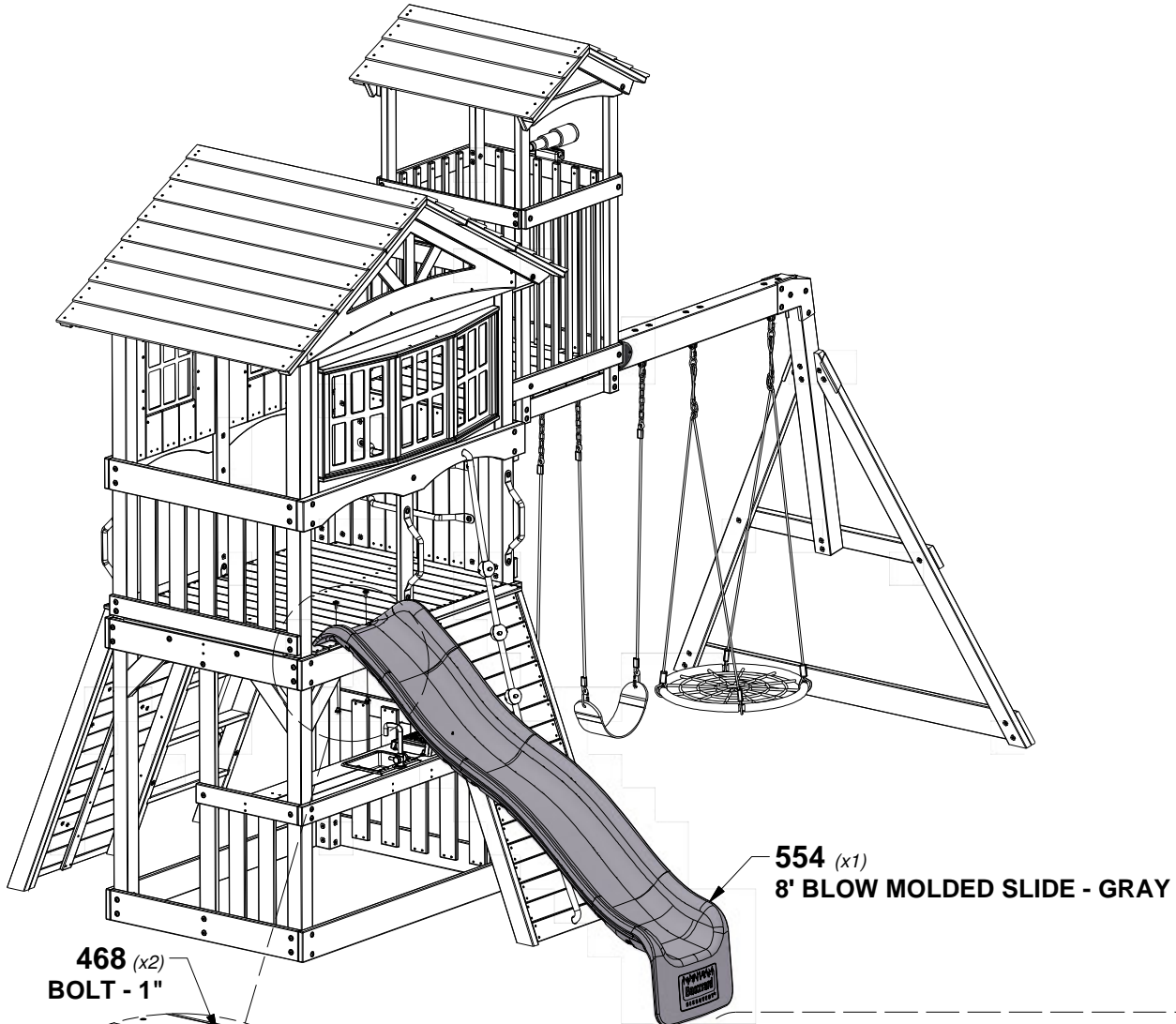
1415 (x1)
26" WEB SWING

STEP 62 - FORT ASSEMBLY

QTY	PART NUMBER	DESCRIPTION
2	H100468	BOLT WH 5/16x1 BLK
2	H100379	T-NUT 5/16 BLK



A6P00554
(x1) **8' BLOW MOLDED SLIDE - GREY**

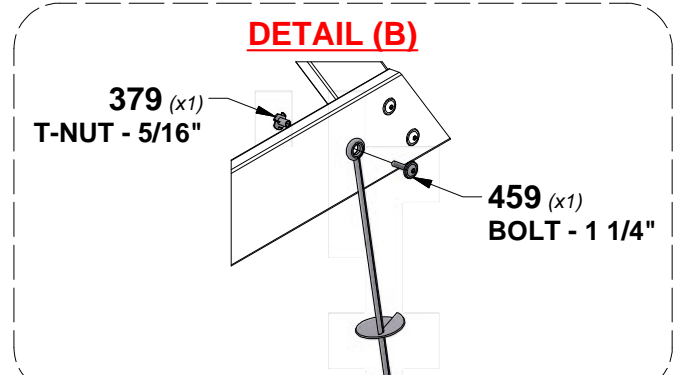
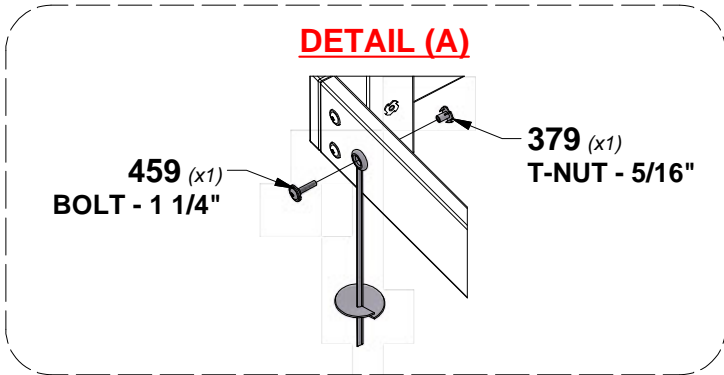


CENTER SLIDE IN OPENING USING DIMENSIONS SHOWN. USING SLIDE AS A TEMPLATE, DRILL (2) 3/8" [10mm] HOLE THRU DECK FOR HARDWARE.

IF NEEDED E01 ANGLE BRACE MAY BE REMOVED TO EASE INSTALLATION OF 379 T-NUT.

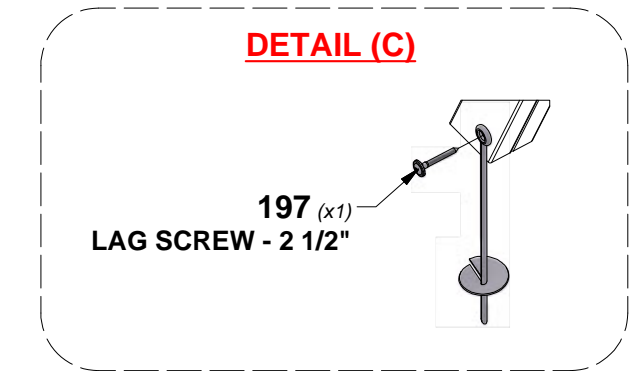
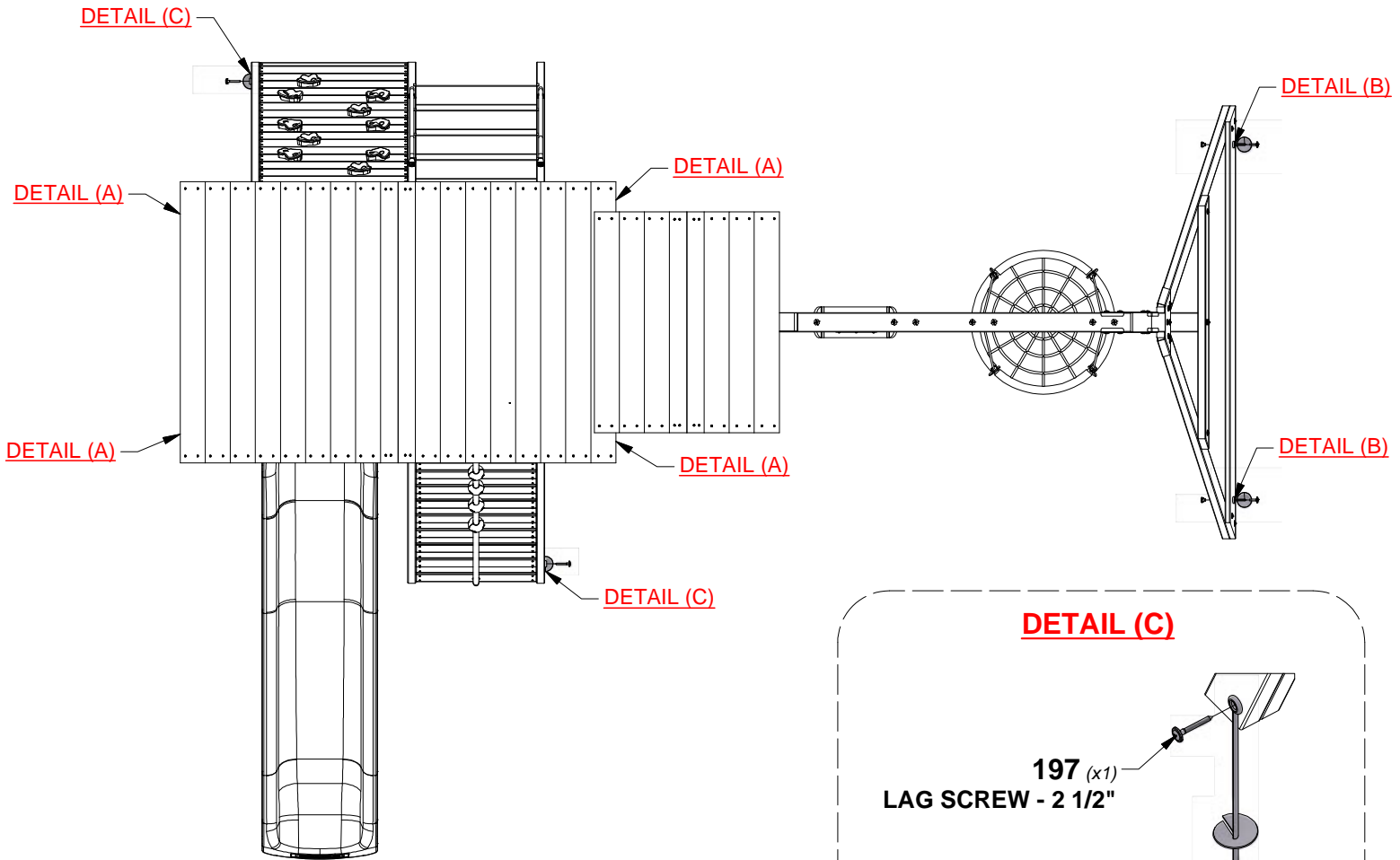
STEP 63 - FORT ASSEMBLY

QTY	PART NUMBER	DESCRIPTION
6	H100459	BOLT WH 5/16x1 1/4 BLK
6	H100379	T-NUT 5/16 BLK
2	H100197	LAG SCREW WH 5/16x2 1/2 BLK



TWIST GROUND STAKE INTO GROUND WHERE SHOWN.

USING GROUND STAKE AS A GUIDE, DRILL (1) 3/8" [10 mm] HOLE FOR HARDWARE. (DETAIL A & B)



TWIST GROUND STAKE INTO GROUND WHERE SHOWN.

USING GROUND STAKE AS A GUIDE, DRILL (1) 3/16" [5 mm] HOLE FOR HARDWARE. (DETAIL C)