



MANUFACTURED BY:
Backyard Discovery
3305 Airport Drive, Pittsburg, KS 66762
800-856-4445

Basepoint Business Centre: Rivermead Drive, Westlea, Swindon SN5 7EX Phone: 0800-118-2476
J.P. Coenstraat 7, The Bridge, The Hague, 2595 WP, Netherlands Phone: 0800-567-8990

CANYON CREEK - WHITE

Swing Set

Model # 2300347

The assembly manual must be retained
since it contains important information



WARNING

Adult Assembly Required.

Not suitable for children under 36 months due to small parts.

FOR DOMESTIC USE ONLY. INTENDED FOR OUTDOOR USE.



Please visit www.backyarddiscovery.com

For the most up to date assembly manual, to register your set, or to order replacement parts

Para obtener instrucciones en español, visite www.backyarddiscovery.com



**EASY STEP-BY-STEP
3D INTERACTIVE INSTRUCTIONS**

DOWNLOAD THE FREE APP



Made in China

INS-2300347-A-CANYON CREEK - WHITE-ENG 03-01-24

Owner's Manual - Basic Setup Dimensions & Assembly Notes

Place the set on level ground, not less than 6'-7" [2 m] from any structure or obstruction such as a fence, garage, house, overhanging branches, laundry lines, or electrical wires.

- While assembling unit, take time before and after each phase to make sure fort is level. If fort is not level, assembly will be difficult and improper assembly may result. Extra care must be taken to insure the fort is square.
- The safe play area refers to a zone extending 6'-7" (2 m) beyond the play product on all sides, including the space above the play product.

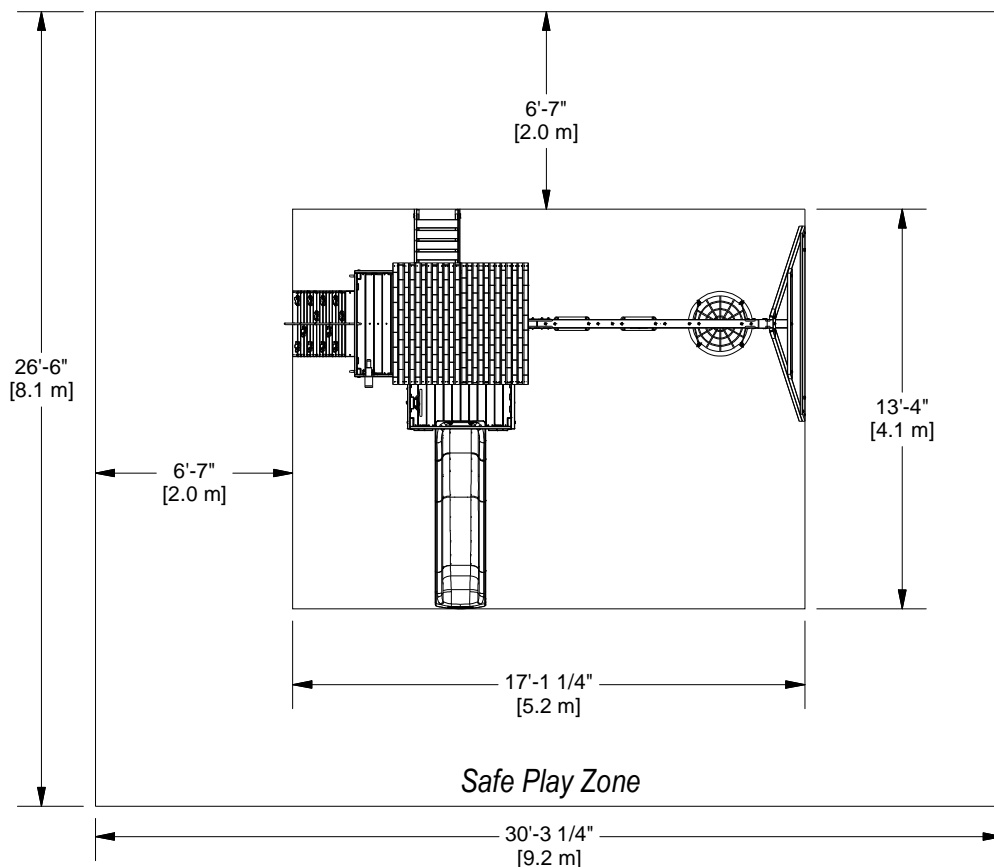
SAFE PLAY AREA DIAGRAM

Ground Dimensions

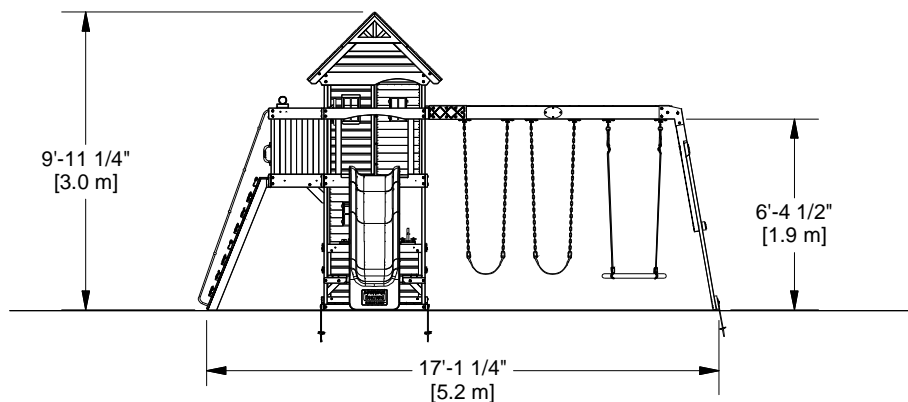
13'-4 1/4" [4.1 m] x 16'-4 1/4" [5.0 m]

Safe Play Area

26'-6 1/4" [8.1 m] x 29'-6 1/4" [9.0 m] x 16'-6 1/4" [5.0 m]



SAFE PLAY HEIGHT: 16'-6 1/4" [5.0 m]
MAXIMUM FALL HEIGHT: 6'-4 1/2" [1.9 m]



General Information:

Your set has been designed and engineered for children only and for residential use only.
A maximum of 150 lbs. per child is recommended for play activities designed for individual use.
A maximum of 120 lbs. per child is recommended for play activities designed for multiple child use.
A maximum of 9 children is recommended for this swing set.

Owner's Manual - Parts Identification

Wood Components (Not to Scale)



A1 SWING BEAM EXTENDED - W4L18499
(x1) 3 3/8"x5 1/4"x89 1/2" (86x134x2274)



A2 SB 9" BLOCK - W4L19017
(x1) 3 3/8"x5 1/4"x9" (86x134x228)



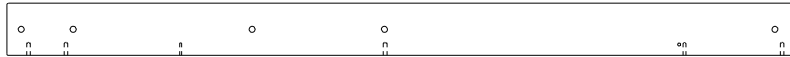
D1 SWING BEAM MOUNT - W4L19015
(x1) 1 3/8"x5 1/4"x62 3/8" (36x134x1585)



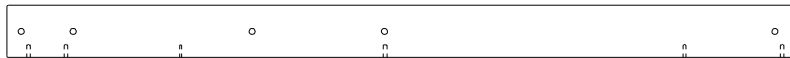
E1 DECK BRACE - W4L17821
(x4) 1 3/8"x3 3/8"x12 1/4" (36x86x311)



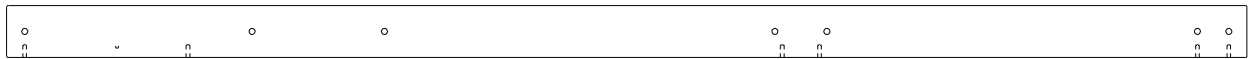
E2 LEFT REAR UPRIGHT - W4L17823
(x1) 1 3/8"x3 3/8"x51 3/4" (36x86x1314)



E3 LEFT FRONT UPRIGHT - W4L17824
(x1) 1 3/8"x3 3/8"x51 3/4" (36x86x1314)



E4 RIGHT FRONT UPRIGHT - W4L17825
(x1) 1 3/8"x3 3/8"x51 3/4" (36x86x1314)



E5 RIGHT FRONT BALCONY UPRIGHT - W4L17826
(x1) 1 3/8"x3 3/8"x80 3/4" (36x86x2052)



E6 LEFT REAR UPRIGHT - W4L19001
(x1) 1 3/8"x3 3/8"x43 1/2" (36x86x1104)



E7 RIGHT REAR UPRIGHT - W4L17831
(x1) 1 3/8"x3 3/8"x43 1/2" (36x86x1104)



E8 LEFT FRONT UPRIGHT - W4L19002
(x1) 1 3/8"x3 3/8"x43 1/2" (36x86x1104)



E9 RIGHT FRONT UPRIGHT - W4L17833
(x1) 1 3/8"x3 3/8"x43 1/2" (36x86x1104)



E10 MOUNTING BLOCK - W4L17815
(x1) 1 3/8"x3"x4 3/4" (36x76x120)



E11 RIGHT FRONT BALCONY UPRIGHT - W4L17827
(x1) 1 3/8"x3 3/8"x80 3/4" (36x86x2052)



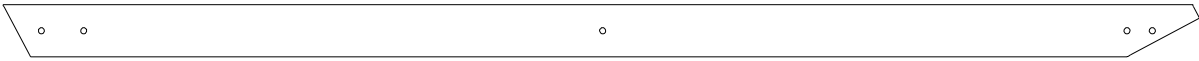
E12 MOUNTING BLOCK - W4L17816
(x1) 1 3/8"x3"x4 3/4" (36x76x120)



E72 RAIL - W4L17808
(x2) 1 3/8"x3 3/8"x57 3/8" (36x86x1457)

Owner's Manual - Parts Identification

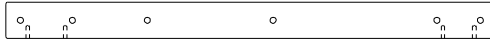
Wood Components (Not to Scale)



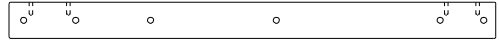
E77 ANGLE BRACE - W4L18495
(x2) 1 3/8"x3 3/8"x78" (36x86x1980)



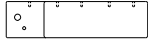
E79 END SUPPORT - W4L18496
(x1) 1 1/2"x3 1/2"x44" (36x86x1120)



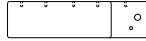
F1 RIGHT BALCONY UPRIGHT - W4L17806
(x1) 1 3/8"x2 3/8"x31 3/4" (36x60x805)



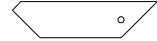
F2 LEFT BALCONY UPRIGHT - W4L17807
(x1) 1 3/8"x2 3/8"x31 3/4" (36x60x805)



F03 SUPPORT BLOCK - W4L18516
(x1) 1 3/8"x2 3/8"x9 1/4" (36x60x234)



F04 SUPPORT BLOCK - W4L18517
(x1) 1 3/8"x2 3/8"x9 1/4" (36x60x234)



F5 ANGLE BRACE - W4L17822
(x2) 1 3/8"x2 3/8"x9 1/2" (36x60x240)



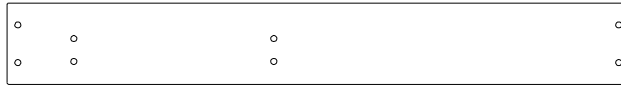
F06 FLOOR JOIST - W4L18510
(x1) 1 3/8"x2"x40 1/2" (36x50x1030)



G2 GROUND BOARD - W4L19003
(x1) 1"x5 1/4"x42 1/4" (24x134x1072)



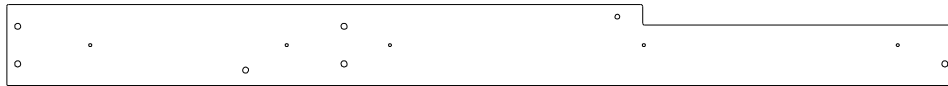
G3 GROUND BOARD - W4L19004
(x1) 1"x5 1/4"x42 1/4" (24x134x1072)



G4 GROUND BOARD - W4L19005
(x1) 1"x5 1/4"x40 1/2" (24x134x1030)



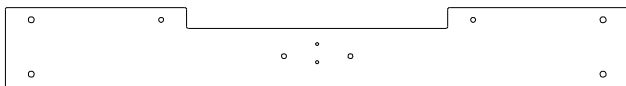
G5 RIGHT CENTER WALL RAIL - W4L19006
(x1) 1"x5 1/4"x63 3/8" (24x134x1609)



G6 FRONT CENTER WALL RAIL - W4L19014
(x1) 1"x5 1/4"x61 3/4" (24x134x1570)



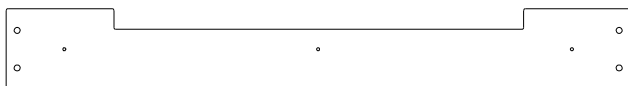
G7 REAR CENTER WALL RAIL - W4L19007
(x1) 1"x5 1/4"x61 3/4" (24x134x1570)



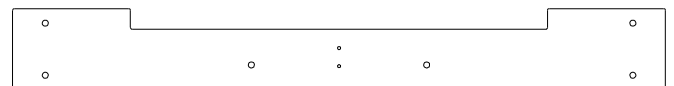
G8 LEFT CENTER WALL RAIL - W4L19000
(x1) 1"x5 1/4"x40 5/8" (24x134x1032)



G9 LEFT BALCONY WALL RAIL - W4L17648
(x1) 1"x5 1/4"x20 3/4" (24x134x528)



G10 FRONT BALCONY WALL RAIL - W4L17649
(x1) 1"x5 1/4"x40 5/8" (24x134x1032)



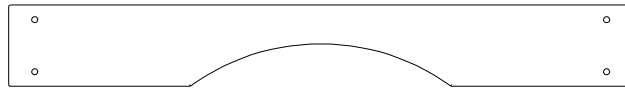
G11 LEFT SIDE WALL BOARD - W4L19008
(x1) 1"x5 1/4"x42 1/2" (24x134x1080)

Owner's Manual - Parts Identification

Wood Components (Not to Scale)



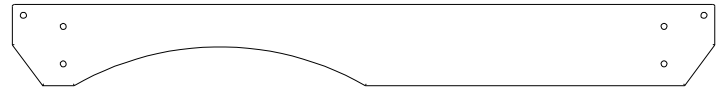
G12 GROUND BOARD - W4L18497
(x1) 1"x5 1/4"x78 1/8" (24x134x1984)



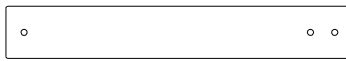
G13 ARCHED WALL RAIL - W4L19010
(x1) 1"x5 1/4"x40 5/8" (24x134x1032)



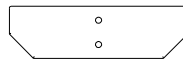
G14 ANGLED WALL RAIL - W4L19011
(x1) 1"x5 1/4"x45 3/4" (24x134x1162)



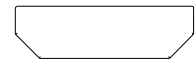
G15 ANGLED WALL RAIL - W4L19012
(x1) 1"x5 1/4"x45 3/4" (24x134x1162)



H1 TABLE SUPPORT - W4L11147
(x1) 1"x3 3/8"x22 3/8" (24x86x567)



H2 TABLE SUPPORT - W4L18018
(x1) 1"x3 3/8"x11 5/8" (24x86x295)



H3 TABLE SUPPORT - W4L18021
(x1) 1"x3 3/8"x11 5/8" (24x86x295)



H5 ATTACHMENT BOARD - W4L17639
(x1) 1"x3 3/8"x18 1/4" (24x86x465)



H06 BENCH BOARD - W4L18518
(x2) 1"x3 3/8"x23" (24x86x583)



H07 BENCH BOARD - W4L18519
(x2) 1"x2 3/8"x23" (24x60x583)



H08 BENCH BOARD - W4L18520
(x2) 1"x3 3/8"x23" (24x86x583)



H9 ATTACHMENT BOARD - W4L17814
(x1) 1"x3 3/8"x26 1/4" (24x86x667)



H76 LADDER RUNG - W4L18505
(x4) 1"x3 3/8"x17 1/4" (24x86x437)



H77 LEFT UPRIGHT - W4L11173
(x1) 1"x3 3/8"x58" (24x86x1474)



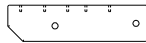
H78 RIGHT UPRIGHT - W4L11174
(x1) 1"x3 3/8"x58" (24x86x1474)



J1 PORCH GROUND BOARD - W4L11128
(x1) 1"x2 3/8"x40 1/2" (24x60x1030)



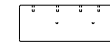
J2 PORCH GROUND BOARD - W4L11129
(x1) 1"x2 3/8"x40 5/8" (24x60x1032)



J3 BENCH SUPPORT - W4L18017
(x2) 1"x2 3/8"x9" (24x60x230)



J5 SUPPORT BLOCK - W4L18022
(x2) 1"x2 3/8"x2 7/8" (24x60x72)



J6 SUPPORT BLOCK - W4L17817
(x1) 1"x2 3/8"x6 1/4" (24x60x160)



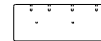
J7 SUPPORT BLOCK - W4L11158
(x1) 1"x2 3/8"x3 3/8" (24x60x86)



J09 FLOOR JOIST - W4L18527
(x1) 1"x2 3/8"x20 1/4" (24x60x515)



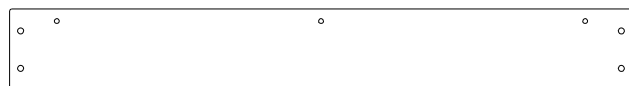
J10 PORCH GROUND BOARD - W4L17650
(x2) 1"x2 3/8"x21 1/8" (24x60x537)



J11 SUPPORT BLOCK - W4L17818
(x1) 1"x2 3/8"x6 1/4" (24x60x160)



K01 ROCK WALL BOARD - W4L18503
(x1) 5/8"x5 1/4"x26 1/4" (16x134x667)



K4 GROUND BOARD - W4L19009
(x1) 5/8"x5 1/4"x40 1/2" (16x134x1030)

Owner's Manual - Parts Identification

Wood Components (Not to Scale)



K12 ARCHED WALL RAIL - W4L11143
(x1) 5/8"x5 1/4"x40 5/8" (16x134x1032)



K16 TABLE BOARD - W4L18530
(x1) 5/8"x5 1/4"x23" (16x134x583)



K17 FLOOR BOARD - W4L18523
(x2) 5/8"x5 1/4"x21 1/8" (16x134x537)



L05 FLOOR BOARD - W4L18524
(x1) 5/8"x4 1/8"x19 1/4" (16x104x488)



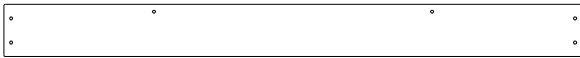
M1 WALL RAIL - W4L19013
(x1) 5/8"x3 3/8"x40 1/2" (16x86x1030)



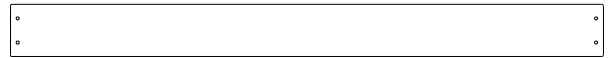
M03 BENCH BOARD - W4L18529
(x2) 5/8"x3 3/8"x23" (16x86x583)



M04 FLOOR BOARD - W4L18506
(x8) 5/8"x3 3/8"x21 1/8" (16x86x537)



M06 COUNTER TOP - W4L18511
(x1) 5/8"x3 3/8"x37 5/8" (16x86x957)



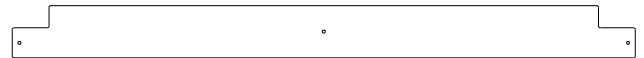
M07 COUNTER TOP - W4L18512
(x2) 5/8"x3 3/8"x38 5/8" (16x86x981)



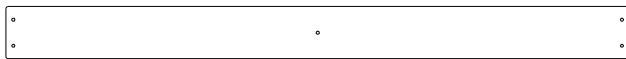
M08 FLOOR BOARD - W4L18526
(x1) 5/8"x3 1/4"x19 7/8" (16x82x504)



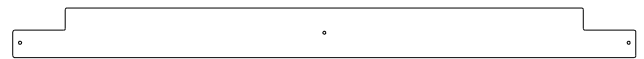
M09 FLOOR BOARD - W4L18521
(x10) 5/8"x3 3/8"x19 7/8" (16x86x504)



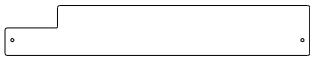
M10 FLOOR BOARD - W4L18513
(x1) 5/8"x3 3/8"x40 5/8" (16x86x1031)



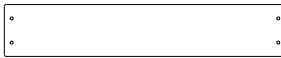
M11 FLOOR BOARD - W4L18522
(x15) 5/8"x3 3/8"x40 5/8" (16x86x1031)



M12 FLOOR BOARD - W4L18528
(x2) 5/8"x3 1/4"x40 5/8" (16x82x1031)



M13 FLOOR BOARD - W4L18525
(x1) 5/8"x3 1/4"x19 7/8" (16x82x504)



M73 REAR SUPPORT - W4L18504
(x1) 5/8"x3 3/8"x18 1/4" (16x86x465)



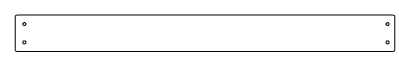
M74 ROCK WALL BOARD - W4L18500
(x7) 5/8"x3 3/8"x26 1/4" (16x86x667)



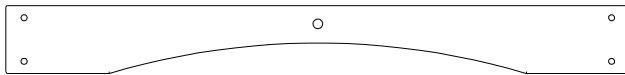
M75 ROCK WALL BOARD - W4L18501
(x4) 5/8"x3 3/8"x26 1/4" (16x86x667)



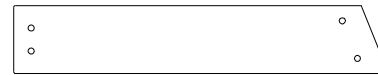
M76 ROCK WALL BOARD - W4L18502
(x4) 5/8"x3 3/8"x26 1/4" (16x86x667)



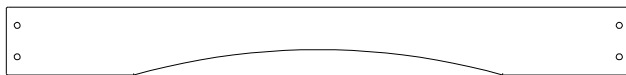
N02 PICKET - W4L18514
(x18) 5/8"x2 3/8"x24 3/4" (16x60x628)



Q1 ARCHED WALL RAIL - W4L11142
(x1) 1"x4 3/8"x40 5/8" (24x112x1032)



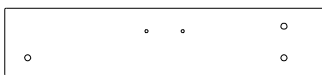
Q2 GROUND BOARD - W4L17640
(x2) 1"x4 3/8"x24 3/8" (24x112x620)



Q3 ARCHED WALL RAIL - W4L17653
(x1) 1"x4 3/8"x40 5/8" (24x112x1032)



Q4 WALL RAIL - W4L17654
(x1) 1"x4 3/8"x23 5/8" (24x112x600)



Q5 WALL RAIL - W4L17655
(x1) 1"x4 3/8"x20 7/8" (24x112x529)



Q6 ARCHED WALL RAIL - W4L19016
(x1) 1"x4 3/8"x43 7/8" (24x112x1113)

Owner's Manual - Parts Identification

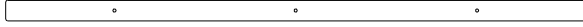
Wood Components (Not to Scale)



SP71 SWING BEAM SUPPORT - W4L18498
(x1) 3 3/8"x3 3/8"x49 1/2" (86x86x1256)



T01 SUPPORT BOARD - W4L18507
(x3) 1"x1 3/8"x37 5/8" (24x34x957)



T02 SUPPORT BOARD - W4L18508
(x1) 1"x1 3/8"x37 3/4" (24x34x959)



T03 SUPPORT BOARD - W4L18509
(x2) 1"x1 3/8"x18 3/4" (24x34x477)



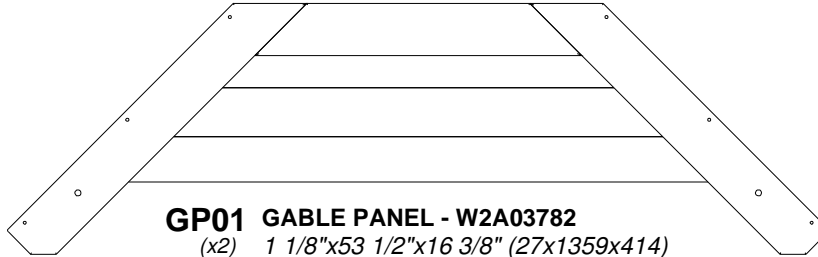
T04 SUPPORT BOARD - W4L18515
(x1) 1"x1 3/8"x37 3/4" (24x34x958)



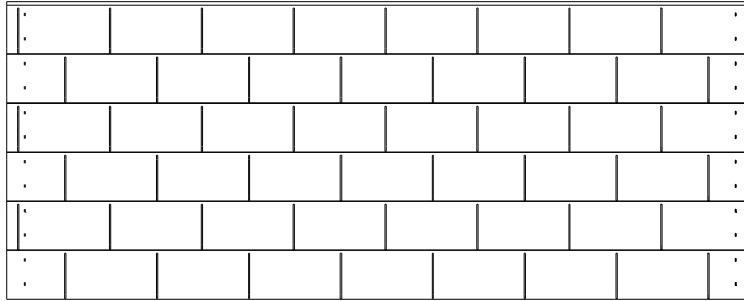
Y1 TOP BOARD - W4L17809
(x1) 5/8"x3 3/4"x26 1/4" (16x94x667)



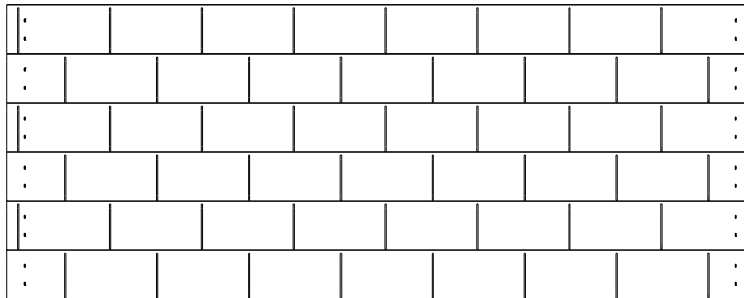
E13 RIGHT REAR UPRIGHT ASSEMBLY - W2A03847
(x1) 1 3/8"x3 3/8"x51 3/4" (36x86x1314)



GP01 GABLE PANEL - W2A03782
(x2) 1 1/8"x53 1/2"x16 3/8" (27x1359x414)



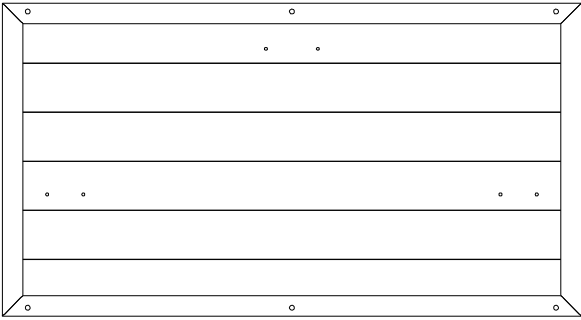
RP1 LOWER ROOF PANEL - W2A04024
(x2) 1 3/8"x19 3/8"x48 5/8" (35x491x1236)



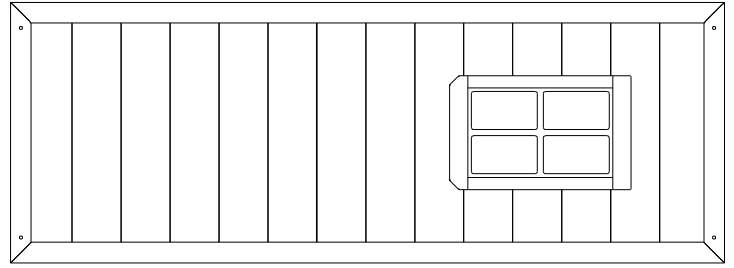
RP2 TOP ROOF PANEL - W2A04025
(x2) 1 3/8"x19 1/8"x48 5/8" (35x486x1236)

Owner's Manual - Parts Identification

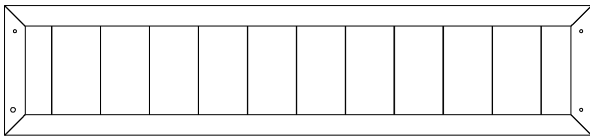
Wood Components (Not to Scale)



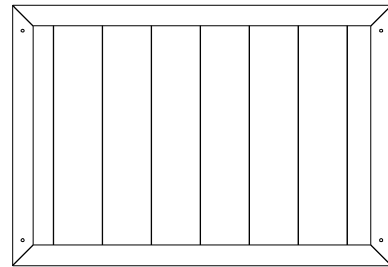
WP01 WALL PANEL - W2A03778
(x1) 1"x20 3/8"x37 3/4" (24x517x958)



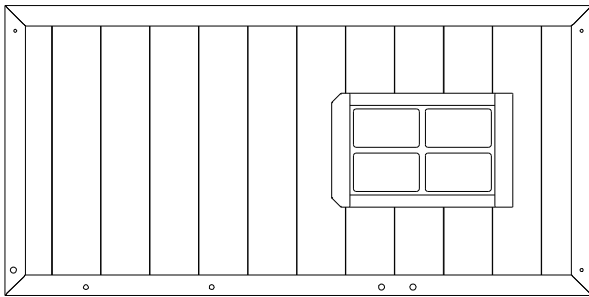
WP02 WALL PANEL - W2A03779
(x1) 1"x16 7/8"x46 1/2" (24x430x1181)



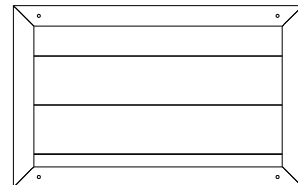
WP03 WALL PANEL - W2A03786
(x1) 1"x18 7/8"x11 3/4" (24x214x971)



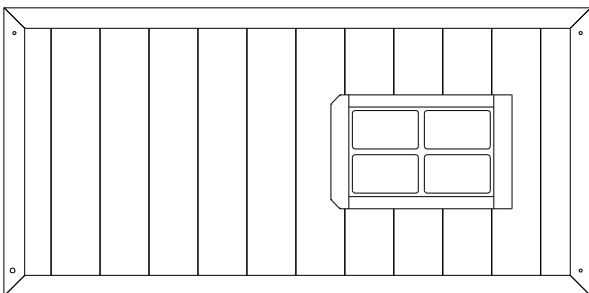
WP04 WALL PANEL - W2A03784
(x2) 1"x16 7/8"x24 5/8" (24x430x627)



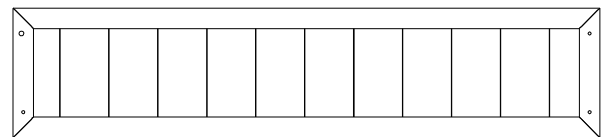
WP05 WALL PANEL - W2A03785
(x1) 1"x16 7/8"x46 1/2" (24x479x971)



WP06 WALL PANEL - W2A03780
(x1) 1"x18 7/8"x11 3/4" (24x479x300)



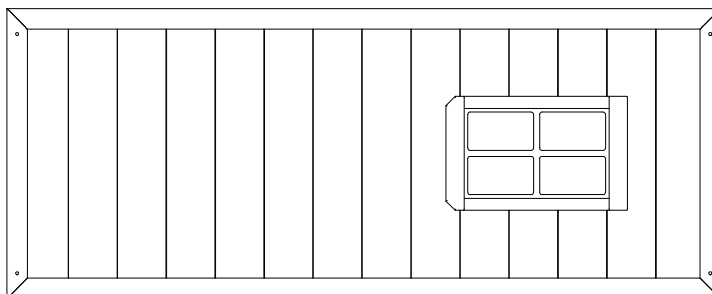
WP07 WALL PANEL - W2A03783
(x1) 1"x16 7/8"x46 1/2" (24x476x971)



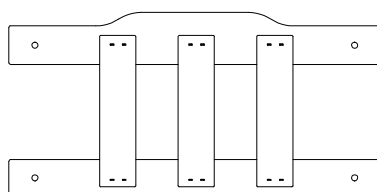
WP08 WALL PANEL - W2A03787
(x1) 1"x18 7/8"x11 3/4" (24x214x971)

Owner's Manual - Parts Identification

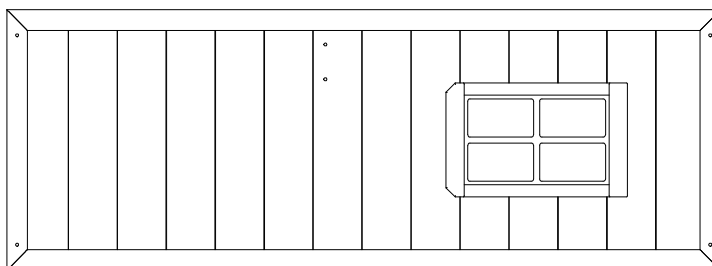
Wood Components (Not to Scale)



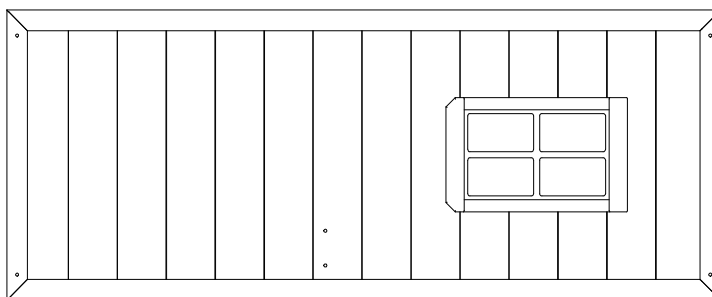
WP09 WALL PANEL - W2A03781
(x1) 1"x16 7/8"x46 1/2" (24x479x1181)



WP10 BENCH BACK ASSEMBLY - W2A03777
(x2) 1 1/8"x11 7/8"x24 1/4" (27x303x615)



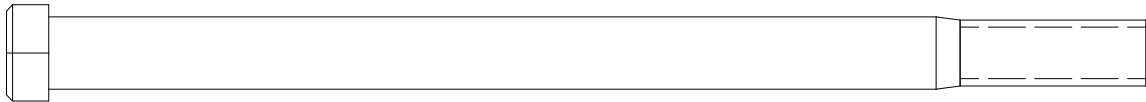
WP11 WALL PANEL - W2A03788
(x1) 1"x16 7/8"x46 1/2" (24x430x1181)



WP12 WALL PANEL - W2A03789
(x1) 1"x16 7/8"x46 1/2" (24x479x1181)

Owner's Manual - Parts Identification

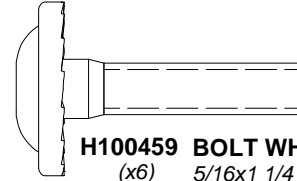
Hardware Components



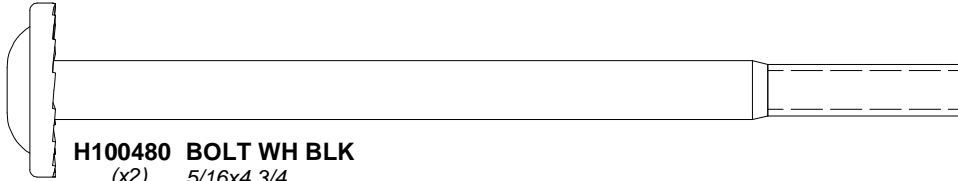
H101170 BOLT HEX BLK
(x12) 3/8x5 3/4



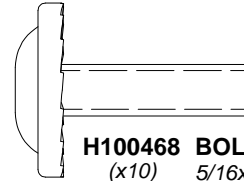
H100498 BOLT HEX - BLK
(x4) 5/16x1 1/2



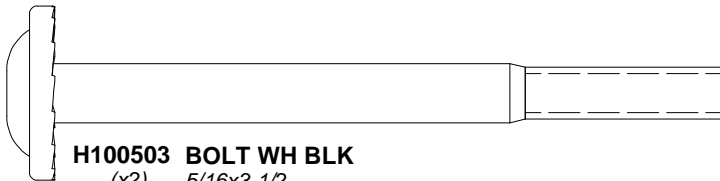
H100459 BOLT WH BLK
(x6) 5/16x1 1/4



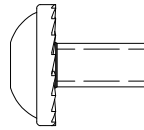
H100480 BOLT WH BLK
(x2) 5/16x4 3/4



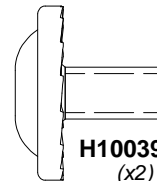
H100468 BOLT WH BLK
(x10) 5/16x1



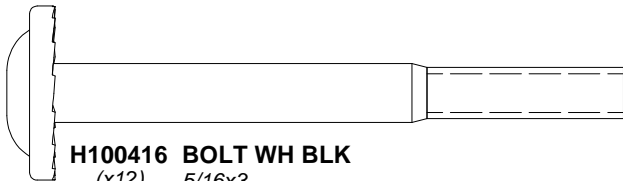
H100503 BOLT WH BLK
(x2) 5/16x3-1/2



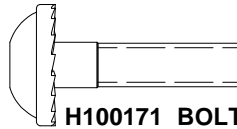
H100401 BOLT WH BLK
(x1) 1/4x1/2



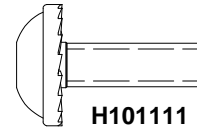
H100396 BOLT WH BLK
(x2) 5/16x1/2



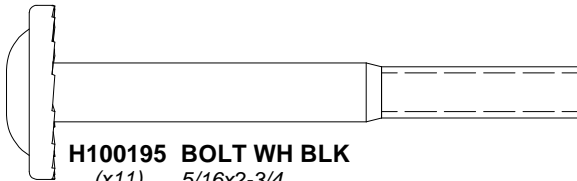
H100416 BOLT WH BLK
(x12) 5/16x3



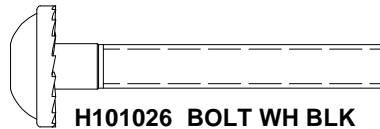
H100171 BOLT WH BLK
(x2) 1/4x1



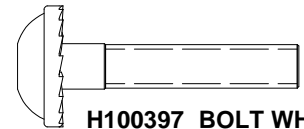
H101111 BOLT WH BLK
(x24) 1/4x3/4



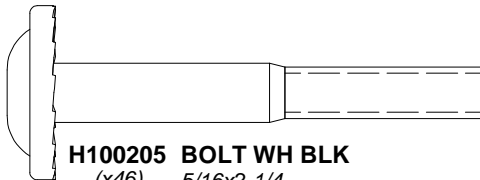
H100195 BOLT WH BLK
(x11) 5/16x2-3/4



H101026 BOLT WH BLK
(x8) 1/4x1-3/4



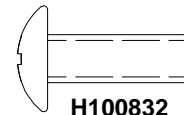
H100397 BOLT WH BLK
(x2) 1/4x1 1/4



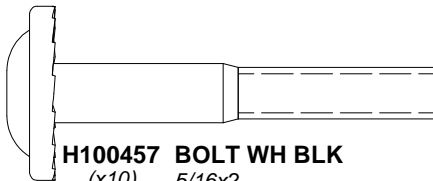
H100205 BOLT WH BLK
(x46) 5/16x2-1/4



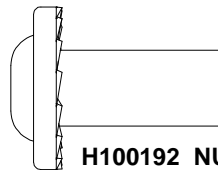
H100831 NUT BARREL PTH BLK
(x4) 1/4x3/4



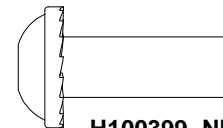
H100832 BOLT PTH BLK (with LOCTITE)
(x4) 1/4x3/4



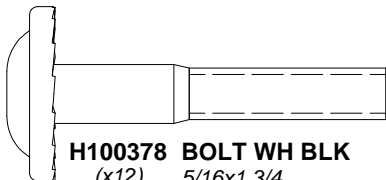
H100457 BOLT WH BLK
(x10) 5/16x2



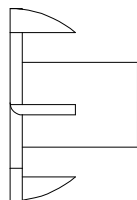
H100192 NUT BARREL WH BLK
(x14) 5/16x7/8



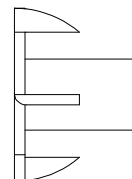
H100399 NUT BARREL WH BLK
(x1) 1/4x7/8



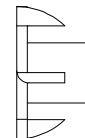
H100378 BOLT WH BLK
(x12) 5/16x1 3/4



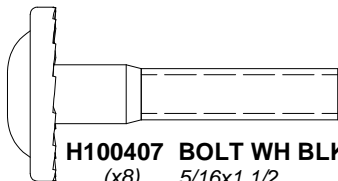
H101168 T-NUT BLK
(x12) 3/8



H100379 T-NUT BLK
(x111) 5/16



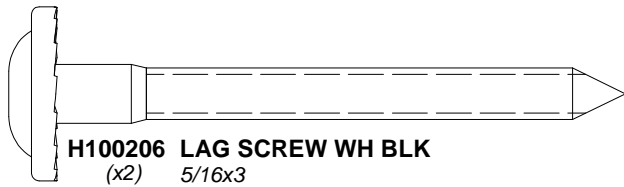
H100398 T-NUT BLK
(x42) 1/4



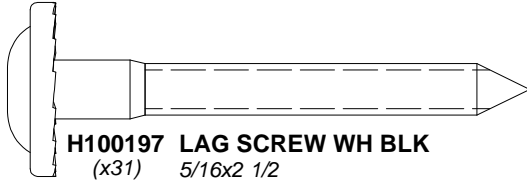
H100407 BOLT WH BLK
(x8) 5/16x1 1/2

Owner's Manual - Parts Identification

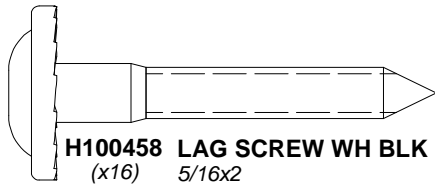
Hardware Components



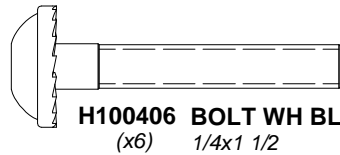
H100206 LAG SCREW WH BLK
(x2) 5/16x3



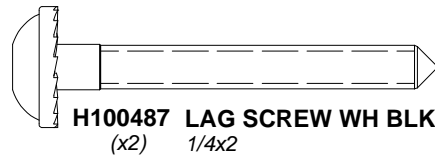
H100197 LAG SCREW WH BLK
(x31) 5/16x2 1/2



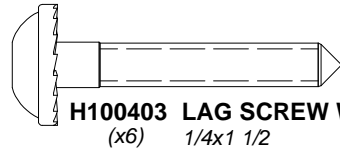
H100458 LAG SCREW WH BLK
(x16) 5/16x2



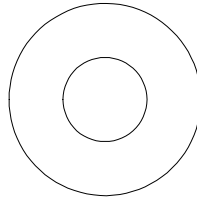
H100406 BOLT WH BLK
(x6) 1/4x1 1/2



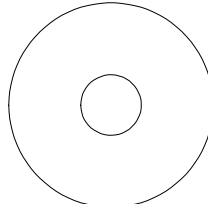
H100487 LAG SCREW WH BLK
(x2) 1/4x2



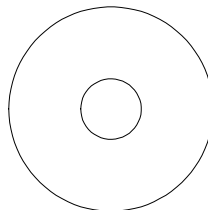
H100403 LAG SCREW WH BLK
(x6) 1/4x1 1/2



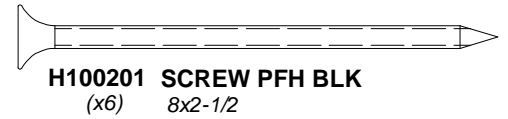
H101167 WASHER FLAT BLK
(x12) 11x25



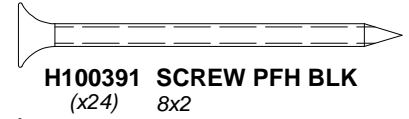
H100105 WASHER FLAT
(x3) 8x27



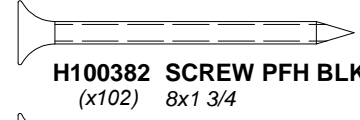
H100478 WASHER FLAT BLK
(x4) 8x27



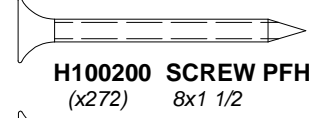
H100201 SCREW PFH BLK
(x6) 8x2-1/2



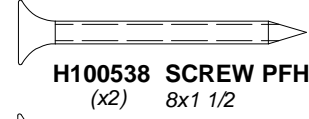
H100391 SCREW PFH BLK
(x24) 8x2



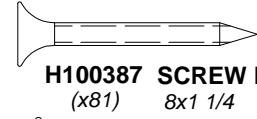
H100382 SCREW PFH BLK
(x102) 8x1 3/4



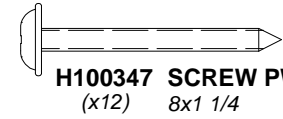
H100200 SCREW PFH BLK
(x272) 8x1 1/2



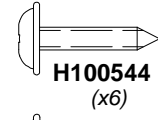
H100538 SCREW PFH SD
(x2) 8x1 1/2



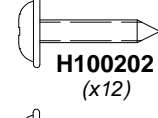
H100387 SCREW PFH BLK
(x81) 8x1 1/4



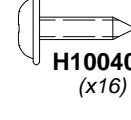
H100347 SCREW PWH SD
(x12) 8x1 1/4



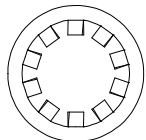
H100544 SCREW PWH SD
(x6) 8x5/8



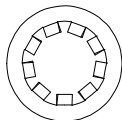
H100202 SCREW PWH BLK
(x12) 8x5/8



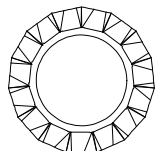
H100408 SCREW PWH BLK
(x16) 8x1/2



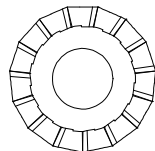
H101166 WASHER LOCK INT BLK
(x12) 10x18



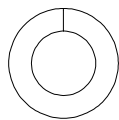
H100473 WASHER LOCK INT BLK
(x24) 8x15



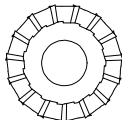
H100199 WASHER LOCK EXT BLK
(x2) 12x19



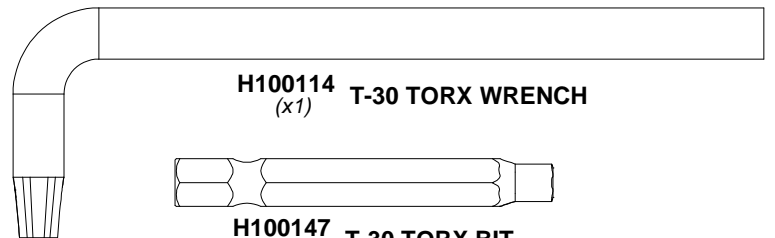
H100198 WASHER LOCK EXT BLK
(x132) 8x19



H100477 WASHER SPLIT BLK
(x4) 5/16



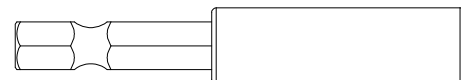
H100405 WASHER LOCK EXT BLK
(x24) 6x15



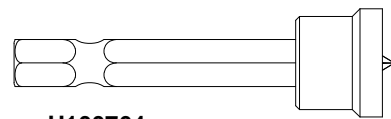
H100114 T-30 TORX WRENCH
(x1)



H100147 T-30 TORX BIT
(x1)



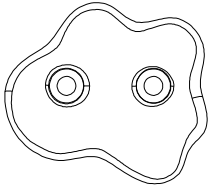
H101100 MAGNETIC DRIVER
(x1)



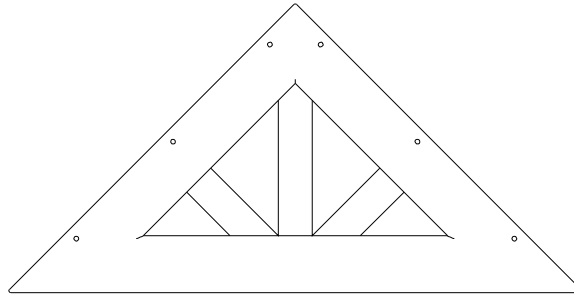
H100764 SCREW SETTER
(x1)

Owner's Manual - Parts Identification

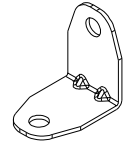
Accessory Components (Not to Scale)



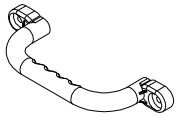
A6P00592 GREY HC ROCK #1
(x12)



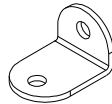
A6P00836 PLASTIC SUNBURST
(x2)



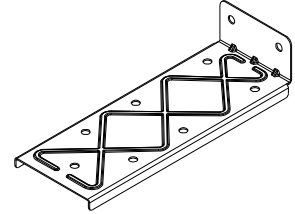
A4M01047 L BRACKET
(x2) 2.5x38x55x55



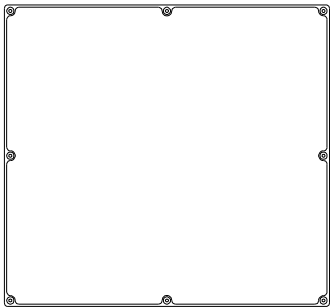
A6P00654 HAND GRIP GREY PLASTIC
(x4)



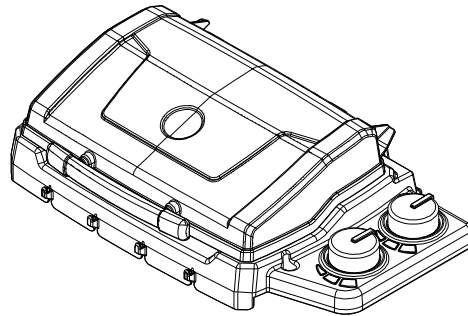
A4M00710 L BRACKET BLACK 32x51
(x2)



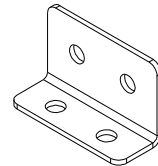
A4M01679 EXTENDED SWING BEAM BRACKET
(x2)



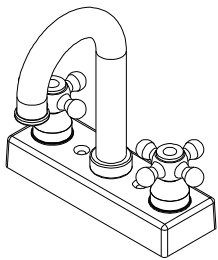
A6P00324 CHALK BOARD LARGE
(x1)



A6P00282 BBQ GRILL
(x1)



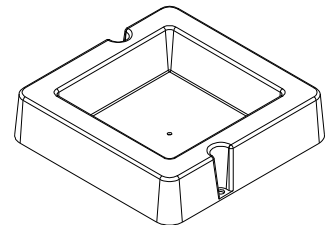
A4M00855 L BRACKET 32x51x82
(x2)



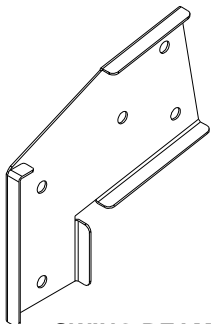
A6P00024 FAUCET KIT
(x1)



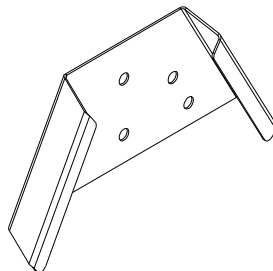
141154 GRILL FOOD SET
(x1)



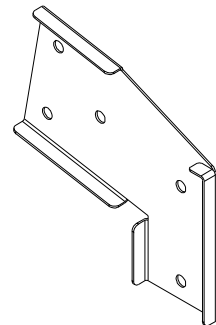
A6P00032 SURFACE MOUNT BASIN
(x1)



A4M00617 SWING BEAM EXTENSION BRACKET-LEFT
(x1)



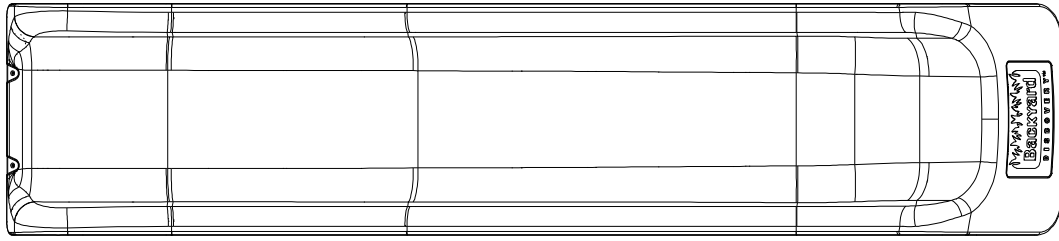
A4M01782 A-FRAME BRACKET
(x1)



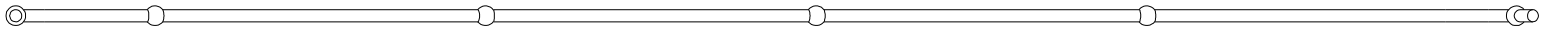
A4M00618 SWING BEAM EXTENSION BRACKET-RIGHT
(x1)

Owner's Manual - Parts Identification

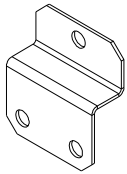
Accessory Components (Not to Scale)



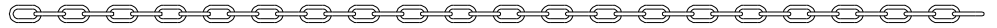
A6P00554
(x1) **8' BLOW MOLDED SLIDE - GREY**



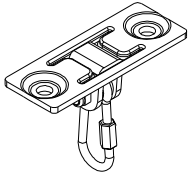
A6P00537
(x1) **CLIMBING ROPE**



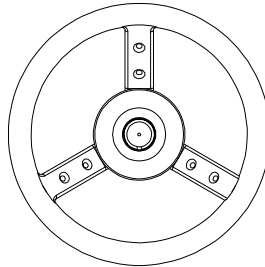
A4M02676
(x4) **BRACKET**



A4M02256
(x4) **CHAIN BLACK 51.25"**



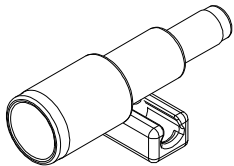
A4M02171
(x6) **SWING HANGER**



A6P00618
(x1) **STEERING WHEEL**



A4M01126
(x1) **26" WEB SWING**



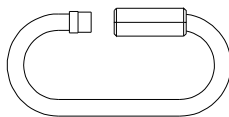
A6P00596
(x1) **TELESCOPE**



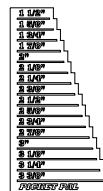
A6P00595
(x2) **SWING SEAT GREY 22"**



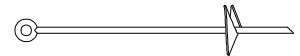
A100164
(x1) **BYD ID TAG
(LARGE) AGES
3-10**



A4M00633
(x4) **QUICK LINK BLK**



A6P00410
(x1) **PICKET PAL**



A4M02252
(x6) **AUGER GROUND
STAKE**

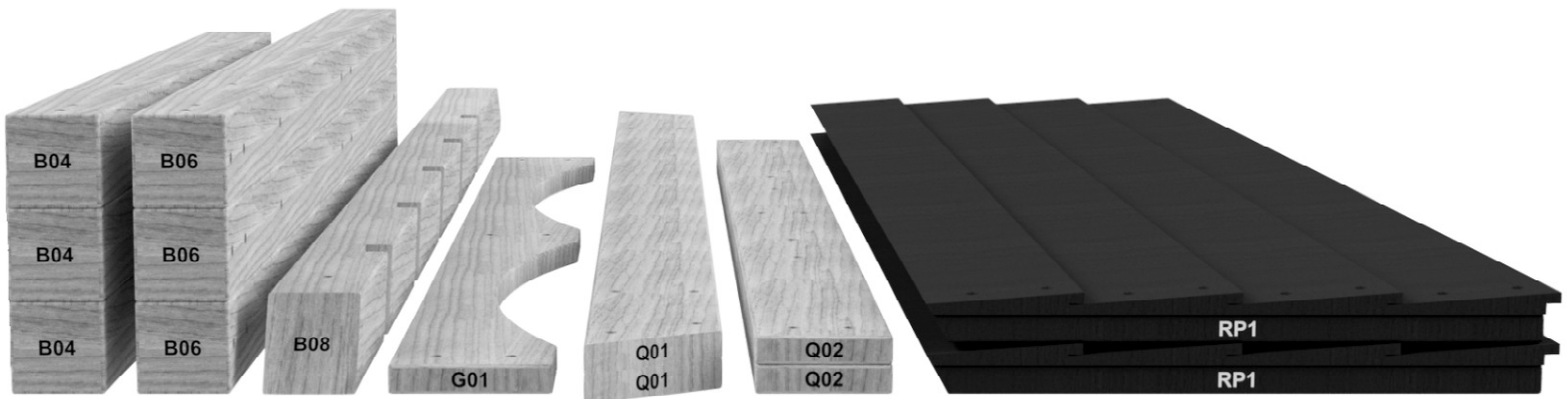
PRE-ASSEMBLY STEP 1 - SORTING PARTS

It is critical for ease of assembly that you take the time to sort and organize the wood and hardware.

WOOD PARTS:

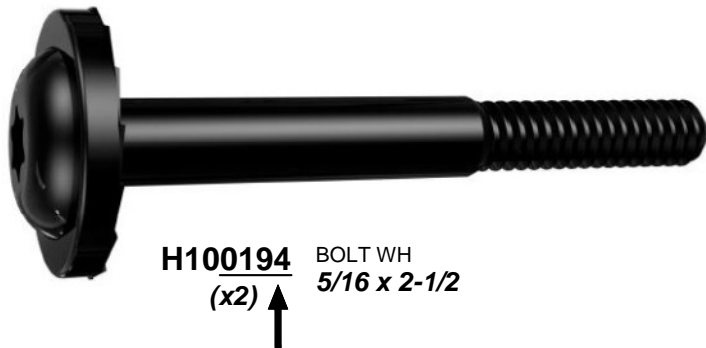
- Organize wood parts by the three-digit, alpha-numeric number stamped on each board (ex. P01).
- If there are multiple boards with the same stamped number, stack those pieces together.
- Stamps can be found on the flat surface of the boards or on the end of the boards.
- Allow yourself plenty of room - the wood pieces can take up a significant amount of space.

NOTE: CARTONS ARE NOT ORGANIZED BY BOARD NUMBER.



HARDWARE PARTS:

- We recommend that you have a separate table to organize the hardware.
- Hardware bags are printed with a seven-digit, alpha-numeric part number.
- You can organize your hardware by part number or group by hardware type (i.e. bolts, nuts, etc.).
- During assembly you only need to reference the last four digits of the number.



PRE-ASSEMBLY STEP 2 - TOOLS REQUIRED



Cordless Drill or
Electric Drill



Drill Attachments:
Phillips Head



1/8", 3/16", 3/8" & 7/16" Drill Bits



Open End Wrenches 1/2" & 9/16"



3/8" Drive Ratchet, 1/2" &
9/16" STD Sockets 1/2" & 9/16" Deep Sockets



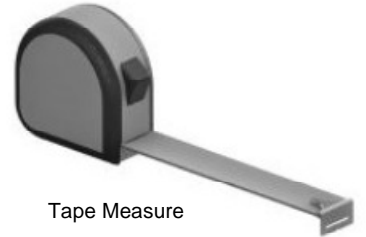
Phillips Screw Driver



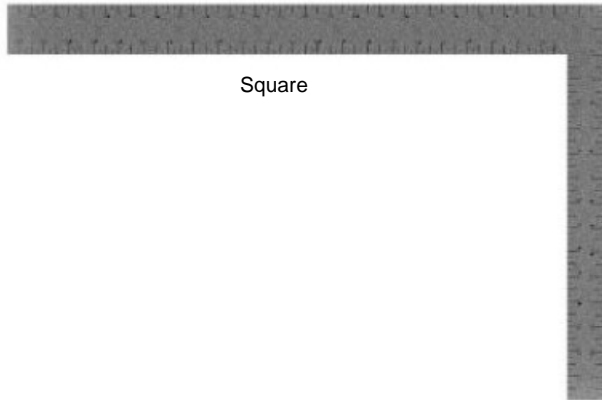
Claw Hammer



Rubber Mallet - Optional



Tape Measure



Square


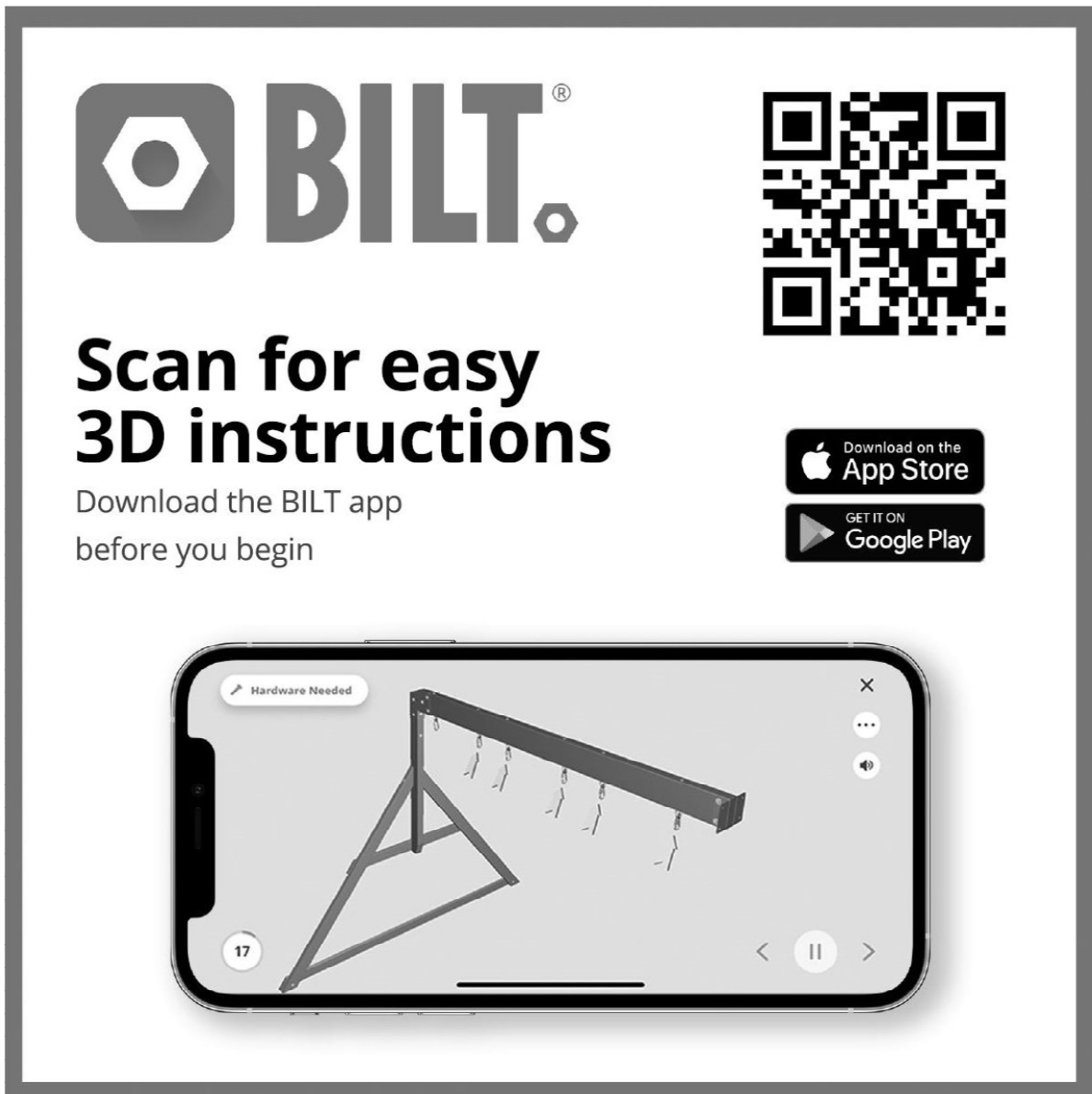


Level 24"

PRE-ASSEMBLY STEP 3 - CHOOSE YOUR ASSEMBLY METHOD

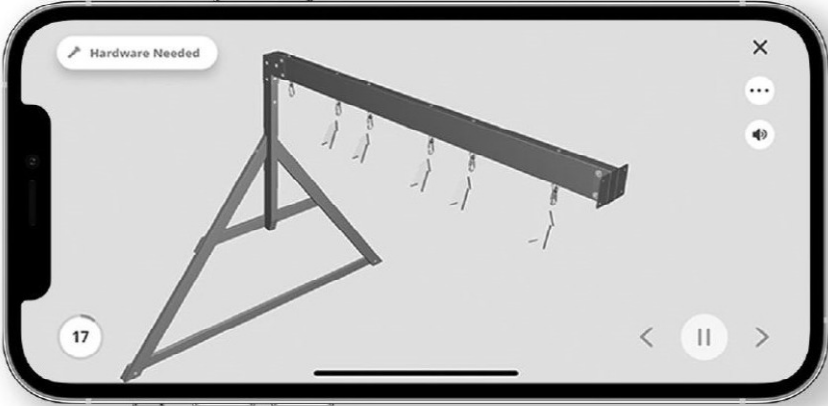


There are several types of assembly instructions available to you.

1. Printed Assembly Manual included with your set
2. BILT APP - 3D interactive instructions
3. Combination of the Printed Manual and BILT APP (Note: Step numbers can differ between the two methods)



Scan for easy 3D instructions

Download the BILT app
before you begin



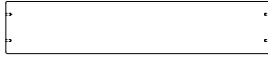
The image shows a smartphone screen displaying the BILT app interface. The screen features a 3D assembly diagram of a metal frame with a horizontal beam and several hanging components. The interface includes a 'Hardware Needed' button at the top left, a close button (X) at the top right, a menu button (three dots) and a volume icon below it, and a page number '17' in a circle at the bottom left. At the bottom center, there are navigation arrows and a pause button.

STEP 1 - LADDER ASSEMBLY

| QTY | PART NUMBER | DESCRIPTION |
|-----|-------------|-------------------|
| 8 | H100391 | SCREW PFH 8x2 BLK |

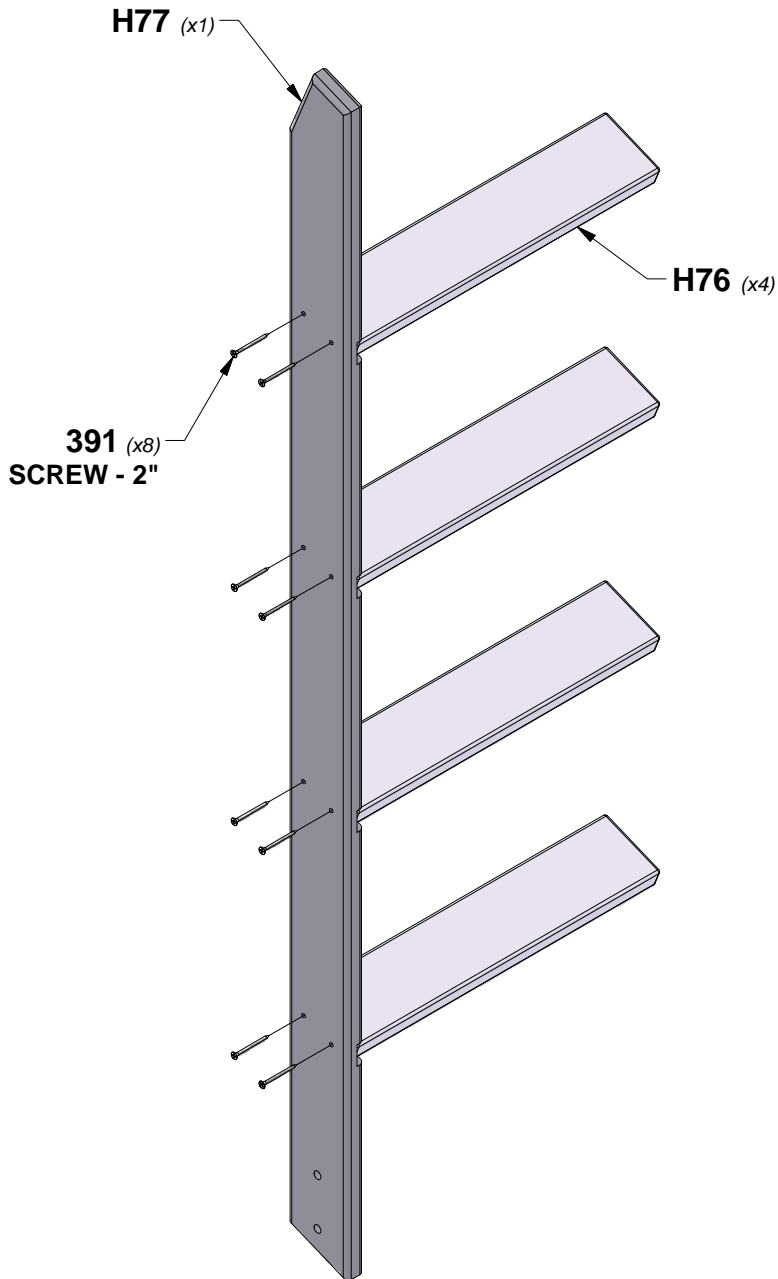


H77 LEFT UPRIGHT - W4L11173
(x1) 1"x3 3/8"x58" (24x86x1474)



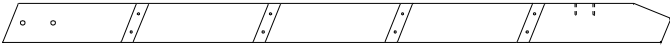
H76 LADDER RUNG - W4L18505
(x4) 1"x3 3/8"x17 1/4" (24x86x437)

TIP:
ALIGN PILOT HOLES



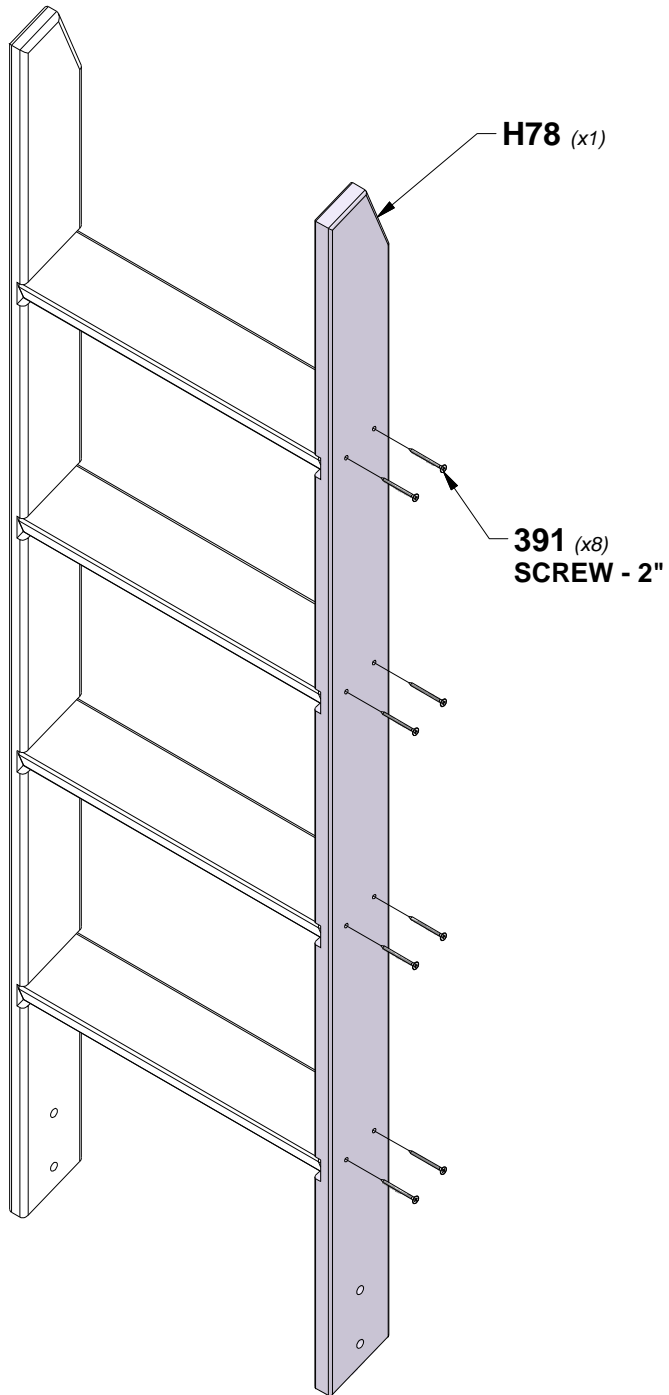
STEP 2 - LADDER ASSEMBLY

| QTY | PART NUMBER | DESCRIPTION |
|-----|-------------|-------------------|
| 8 | H100391 | SCREW PFH 8x2 BLK |



H78 RIGHT UPRIGHT - W4L11174
(x1) 1"x3 3/8"x58" (24x86x1474)

TIP:
ALIGN PILOT HOLES



STEP 3 - LADDER ASSEMBLY

| QTY | PART NUMBER | DESCRIPTION |
|-----|-------------|-----------------------|
| 4 | H100200 | SCREW PFH 8x1-1/2 BLK |
| 4 | H100391 | SCREW PFH 8x2 BLK |

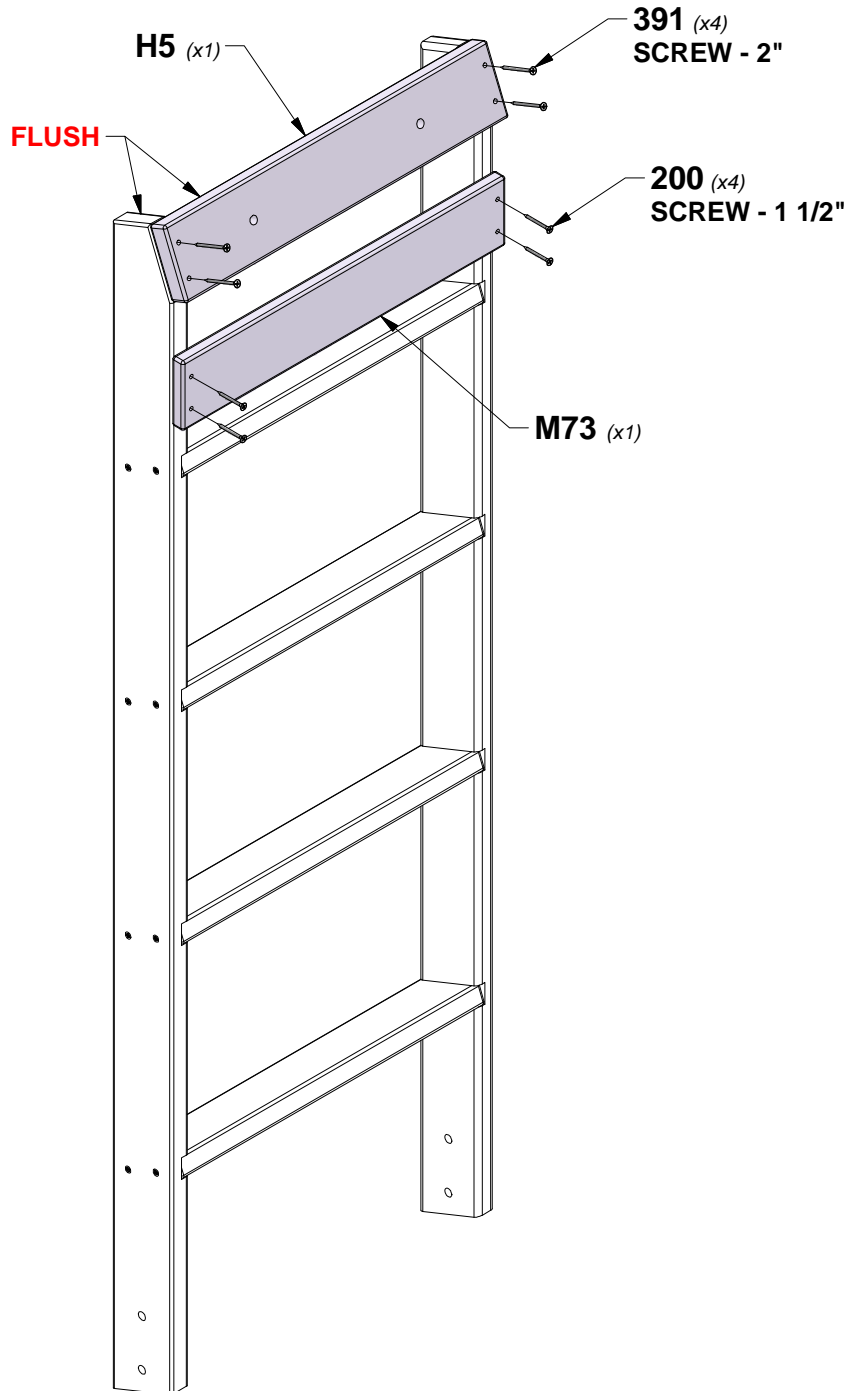


H5 ATTACHMENT BOARD - W4L17639
(x1) 1"x3 3/8"x18 1/4" (24x86x465)



M73 REAR SUPPORT - W4L18504
(x1) 5/8"x3 3/8"x18 1/4" (16x86x465)

TIP:
ALIGN PILOT HOLES



STEP 1 - ROCK WALL ASSEMBLY

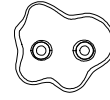
| QTY | PART NUMBER | DESCRIPTION |
|-----|-------------|--------------------------|
| 24 | H100398 | T-NUT 1/4 BLK |
| 24 | H100473 | WASHER LOCK INT 8x15 BLK |
| 24 | H101111 | BOLT WH 1/4x3/4 BLK |



M75 ROCK WALL BOARD - W4L18501
(x4) 5/8"x3 3/8"x26 1/4" (16x86x667)

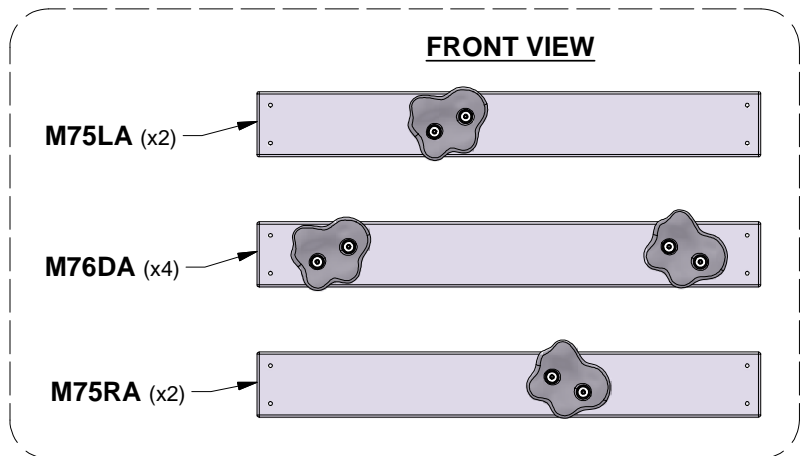
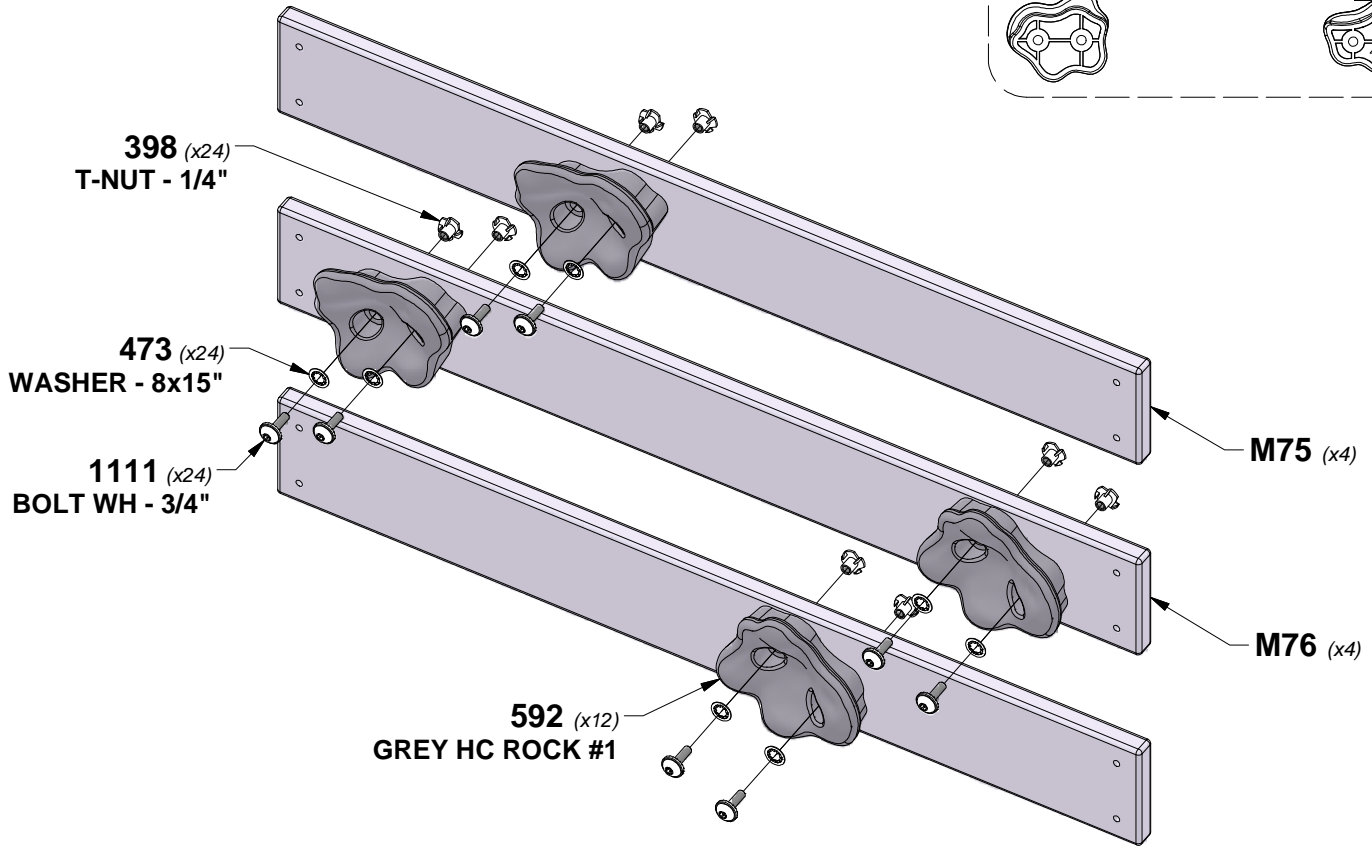
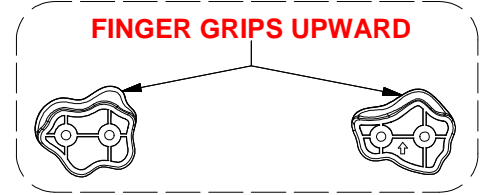


M76 ROCK WALL BOARD - W4L18502
(x4) 5/8"x3 3/8"x26 1/4" (16x86x667)



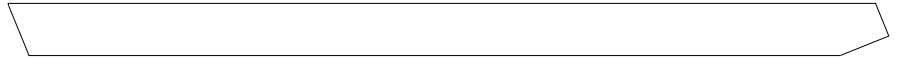
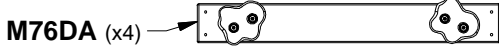
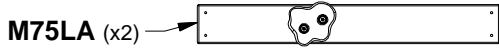
A6P00592 (x12) GREY HC ROCK #1

TIP:
INSTALL T-NUTS IN WOOD FIRST



STEP 2 - ROCK WALL ASSEMBLY

| QTY | PART NUMBER | DESCRIPTION |
|-----|-------------|-----------------------|
| 64 | H100200 | SCREW PFH 8x1-1/2 BLK |



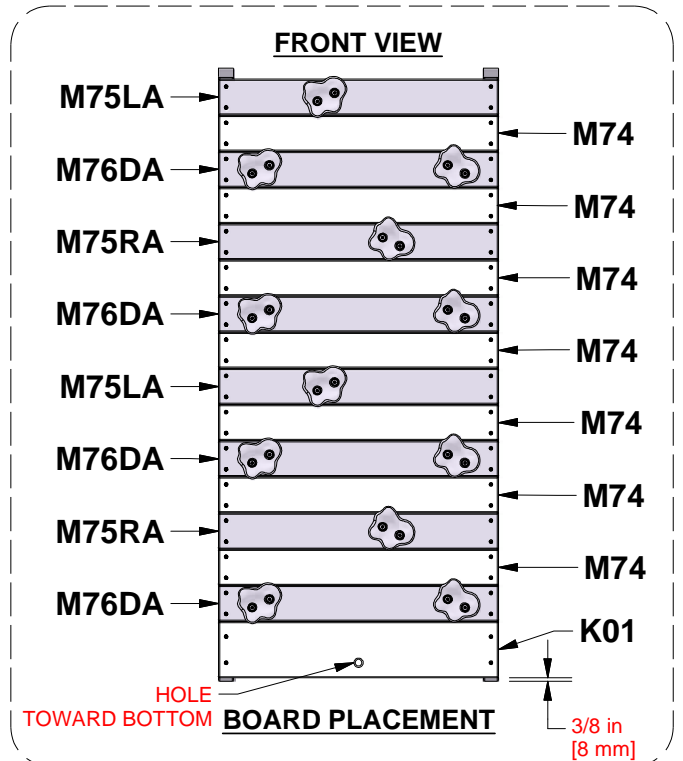
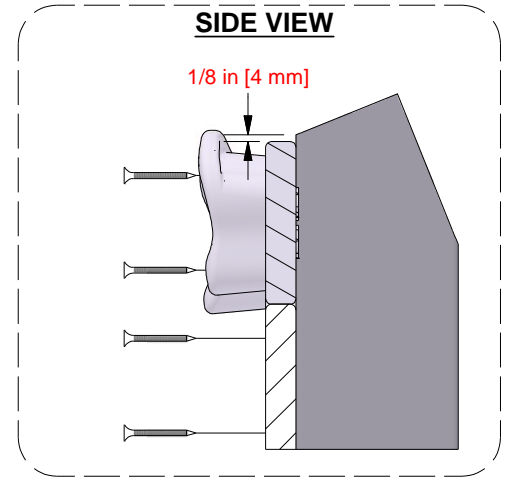
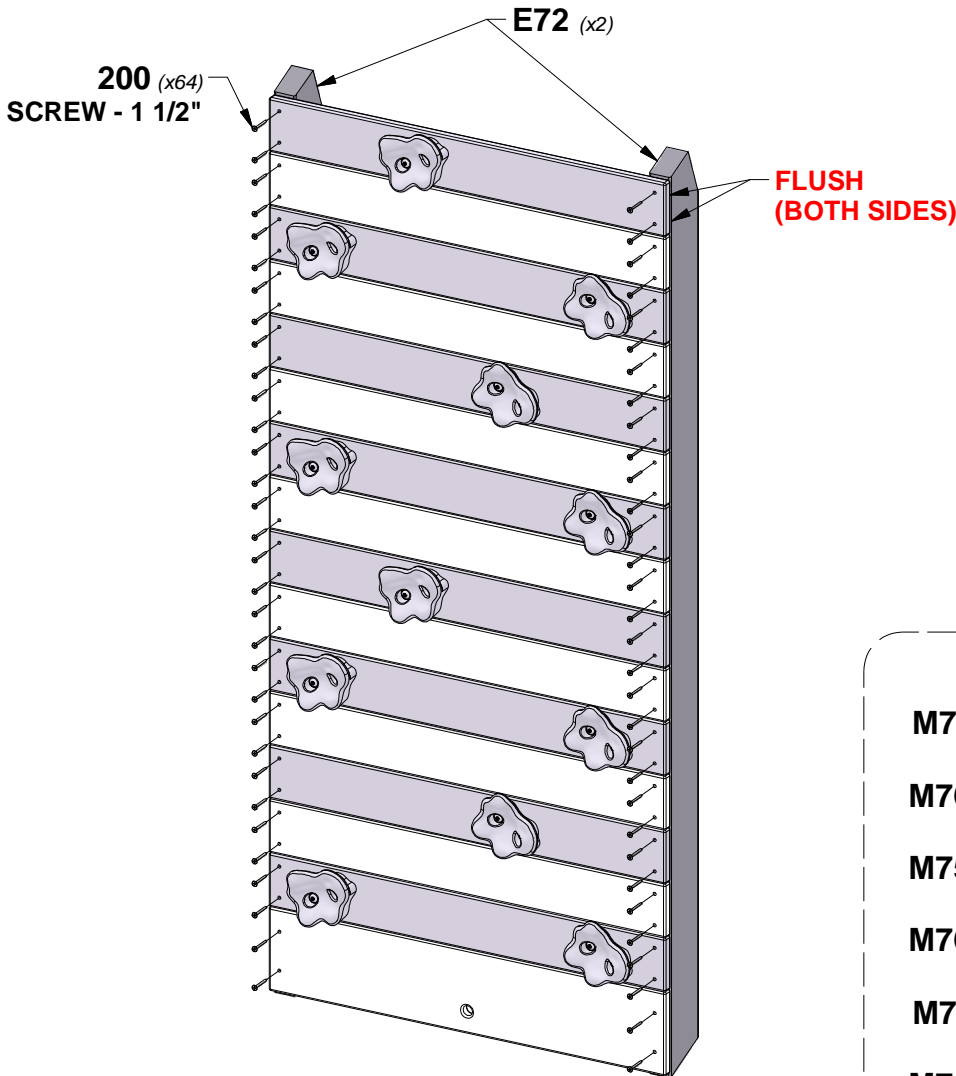
E72 RAIL - W4L17808
(x2) 1 3/8"x3 3/8"x57 3/8" (36x86x1457)



M74 ROCK WALL BOARD - W4L18500
(x7) 5/8"x3 3/8"x26 1/4" (16x86x667)

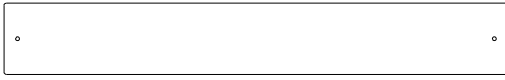


K01 ROCK WALL BOARD - W4L18503
(x1) 5/8"x5 1/4"x26 1/4" (16x134x667)

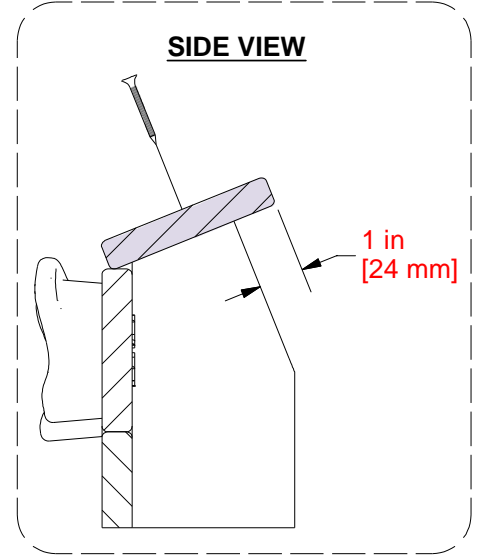
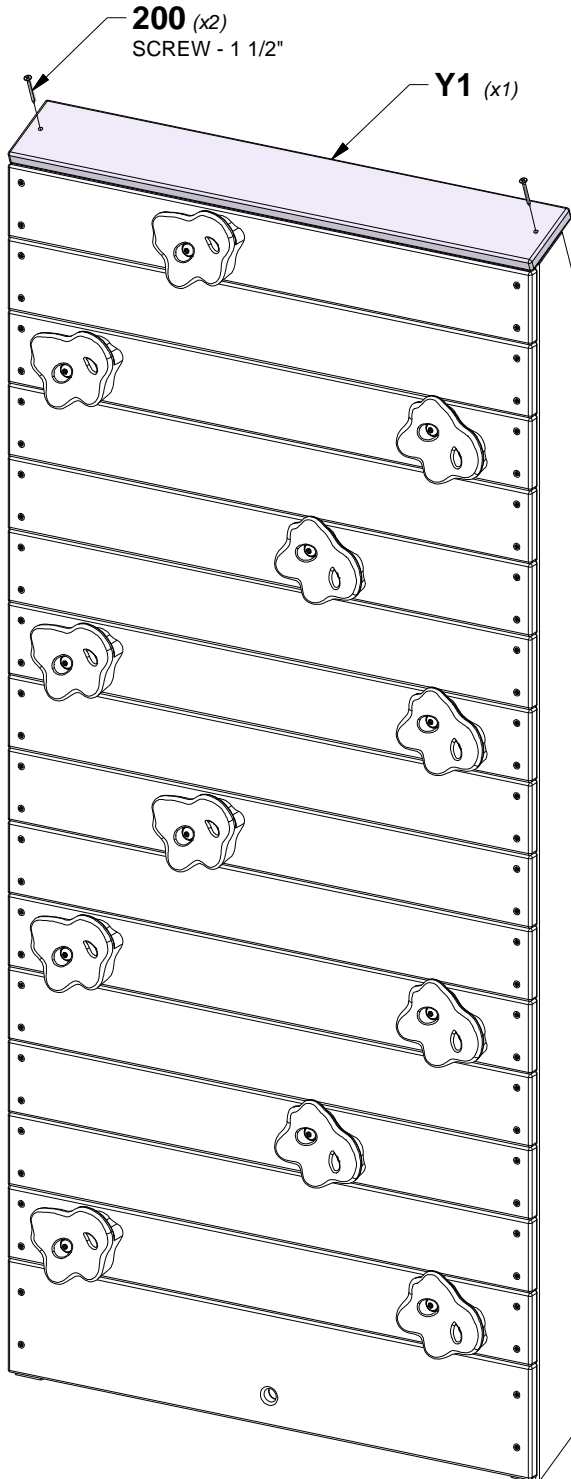


STEP 3 - ROCK WALL ASSEMBLY

| QTY | PART NUMBER | DESCRIPTION |
|-----|-------------|-----------------------|
| 2 | H100200 | SCREW PFH 8x1-1/2 BLK |



Y1 TOP BOARD - W4L17809
(x1) 5/8"x3 3/4"x26 1/4" (16x94x667)



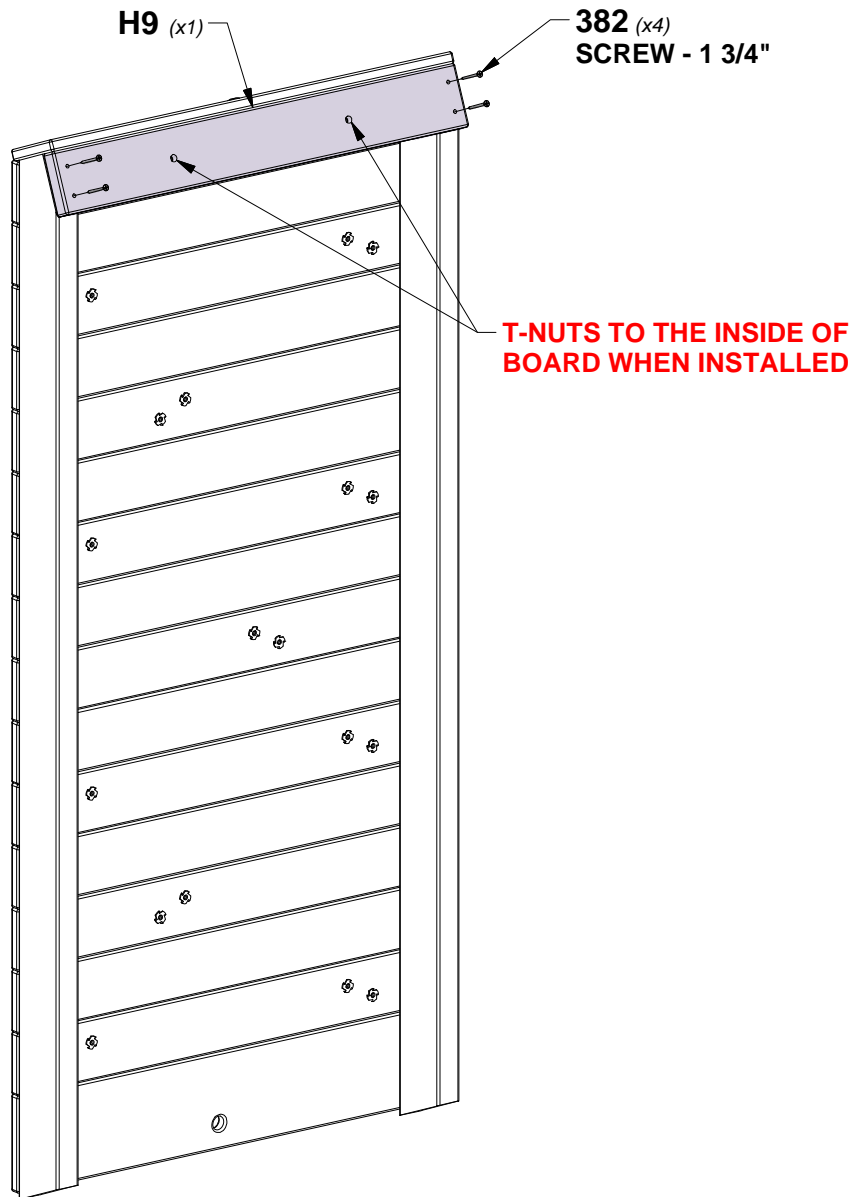
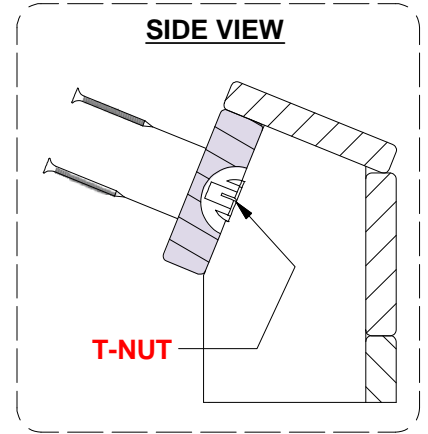
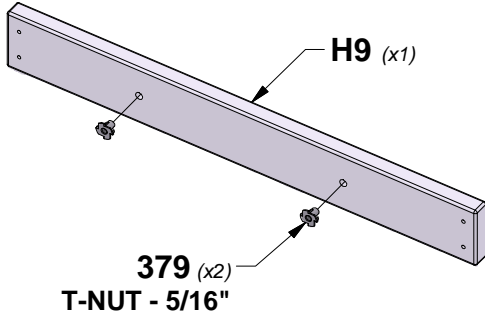
STEP 4 - ROCK WALL ASSEMBLY

| QTY | PART NUMBER | DESCRIPTION |
|-----|-------------|-----------------------|
| 2 | H100379 | T-NUT 5/16 BLK |
| 4 | H100382 | SCREW PFH 8x1-3/4 BLK |



H9 ATTACHMENT BOARD - W4L17814
 (x1) 1"x3 3/8"x26 1/4" (24x86x667)

TIP:
INSTALL T-NUTS IN WOOD FIRST



STEP 1 - SWING BEAM ASSEMBLY

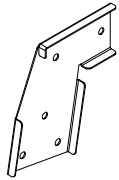
| QTY | PART NUMBER | DESCRIPTION |
|-----|-------------|----------------------------|
| 10 | H100192 | NUT BARREL WH 5/16x7/8 BLK |
| 10 | H100416 | BOLT WH 5/16x3 BLK |



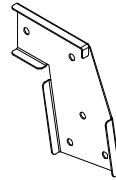
A1 SWING BEAM EXTENDED - W4L18499
(x1) 3 3/8"x5 1/4"x89 1/2" (86x134x2274)



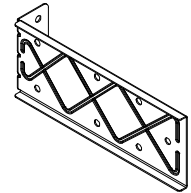
A2 SB 9" BLOCK - W4L19017
(x1) 3 3/8"x5 1/4"x9" (86x134x228)



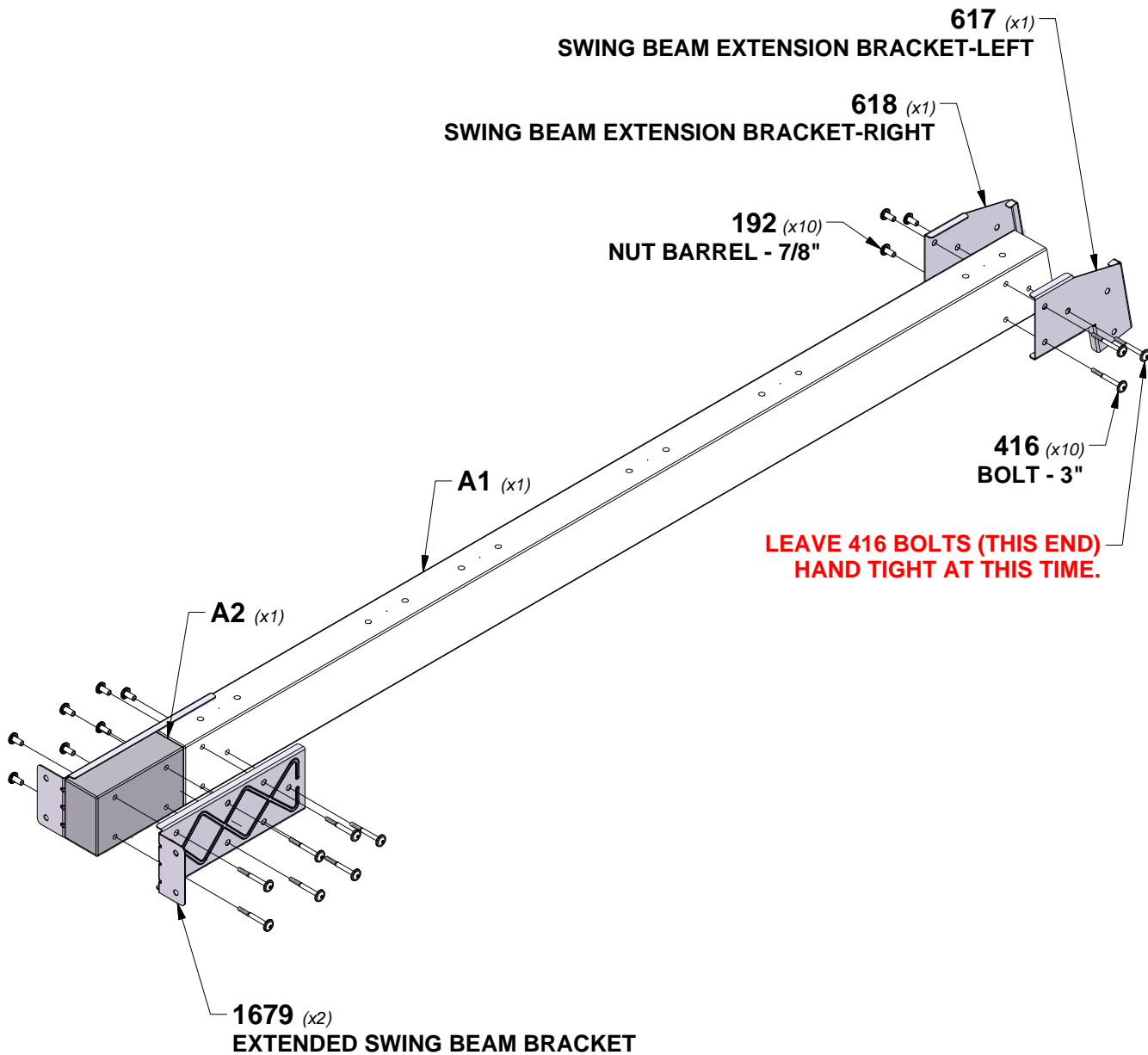
A4M00618 SWING BEAM EXTENSION BRACKET-RIGHT
(x1)



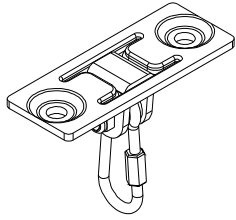
A4M00617 SWING BEAM EXTENSION BRACKET-LEFT
(x1)



A4M01679 EXTENDED SWING BEAM BRACKET
(x2)



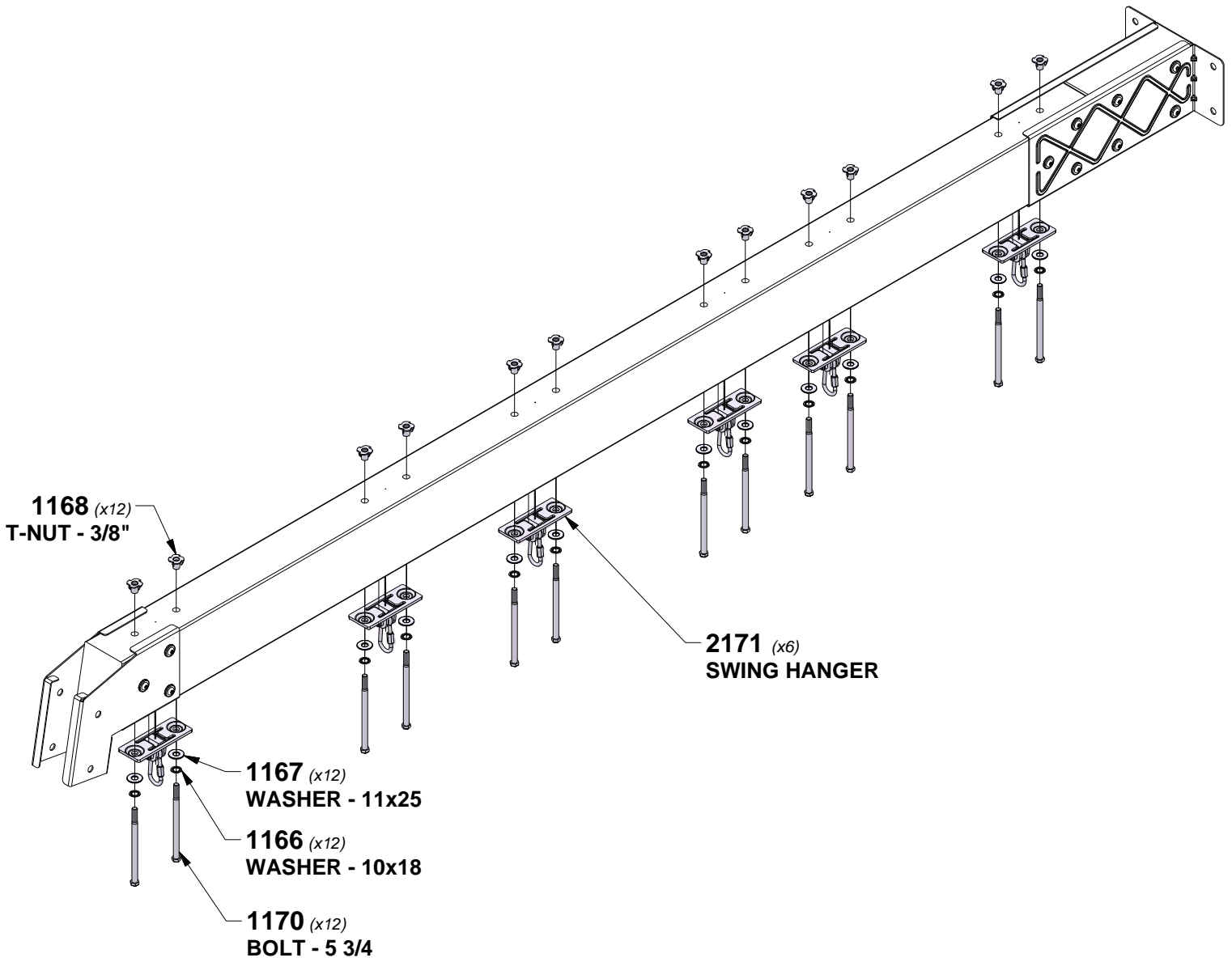
STEP 2 - SWING BEAM ASSEMBLY



A4M02171
(x6) **SWING HANGER**

| QTY | PART NUMBER | DESCRIPTION |
|-----|-------------|---------------------------|
| 12 | H101166 | WASHER LOCK INT 10x18 BLK |
| 12 | H101167 | WASHER FLAT 11x25 |
| 12 | H101168 | T-NUT 3/8 BLK |
| 12 | H101170 | BOLT HEX 3/8x5-3/4 |

TIP:
INSTALL T-NUTS IN WOOD FIRST

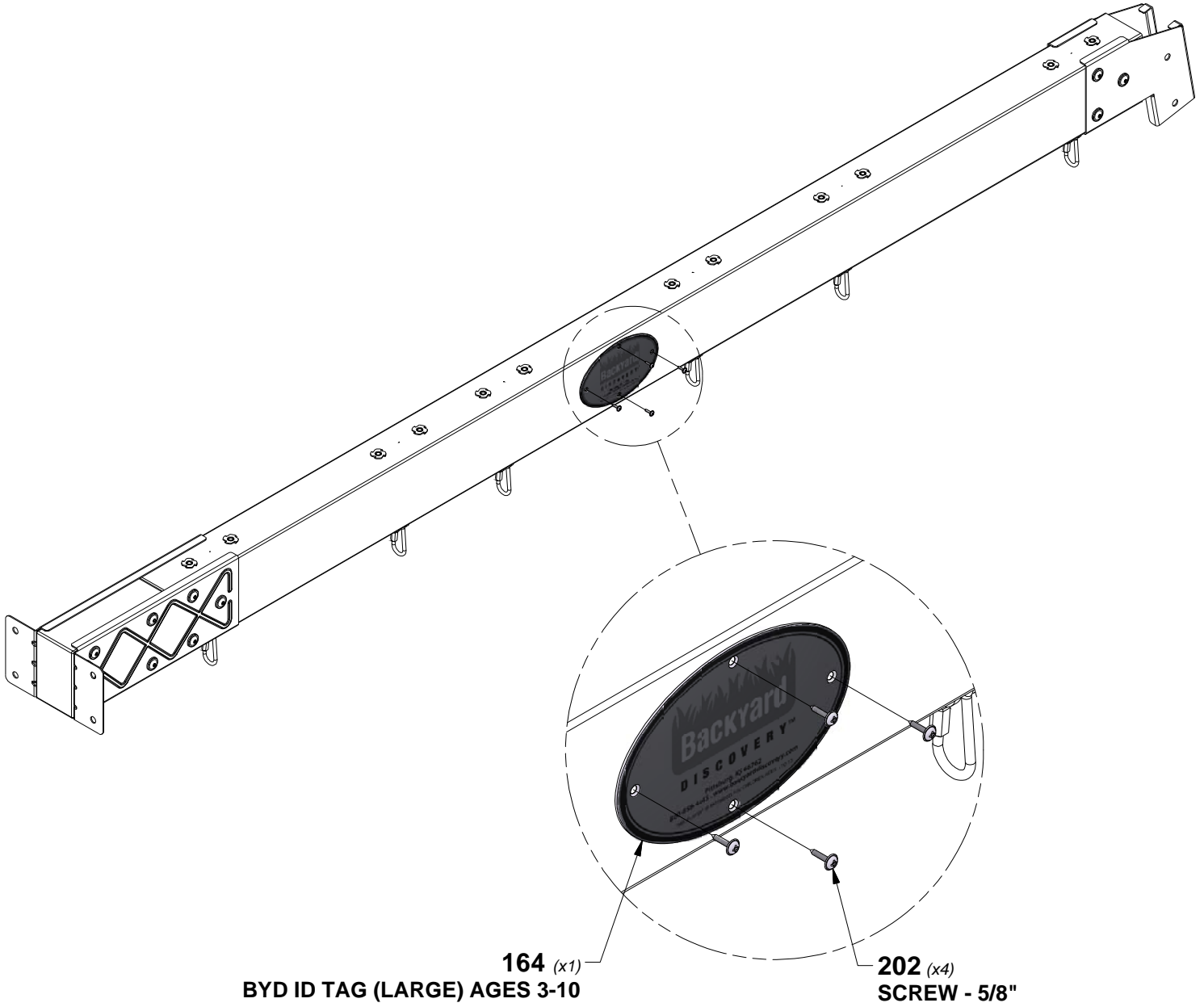


STEP 3 - SWING BEAM ASSEMBLY

| QTY | PART NUMBER | DESCRIPTION |
|-----|-------------|---------------------|
| 4 | H100202 | SCREW PWH 8x5/8 BLK |

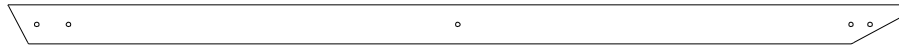


A100164
(x1) BYD ID TAG (LARGE) AGES 3-10



STEP 4 - SWING BEAM ASSEMBLY

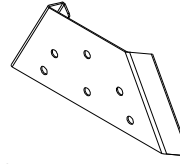
| QTY | PART NUMBER | DESCRIPTION |
|-----|-------------|------------------------|
| 6 | H100379 | T-NUT 5/16 BLK |
| 4 | H100407 | BOLT WH 5/16x1 1/2 BLK |
| 2 | H100503 | BOLT WH 5/16x3-1/2 BLK |



E77 ANGLE BRACE - W4L18495
(x2) 1 3/8"x3 3/8"x78" (36x86x1980)

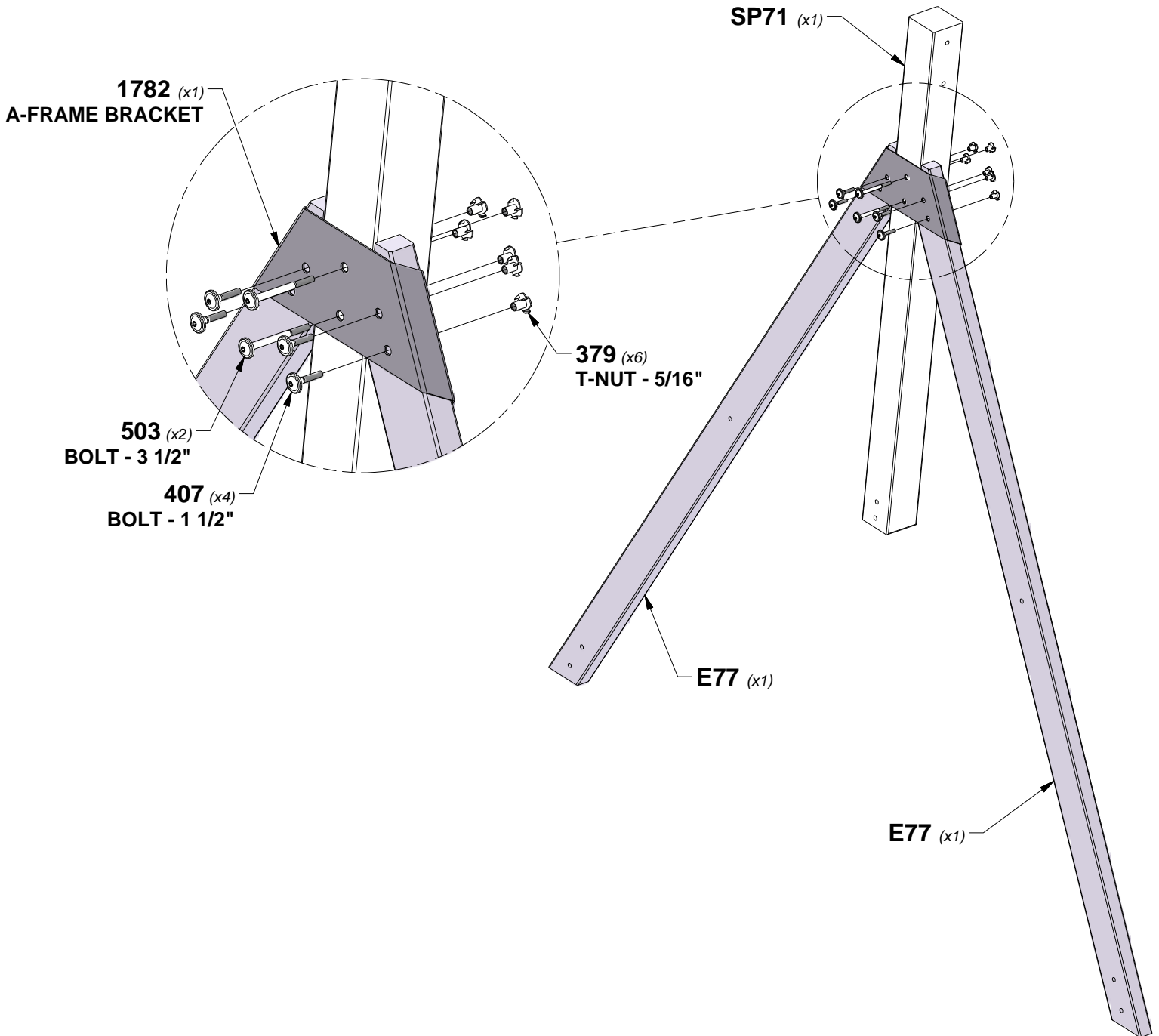


SP71 SWING BEAM SUPPORT - W4L18498
(x1) 3 3/8"x3 3/8"x49 1/2" (86x86x1256)

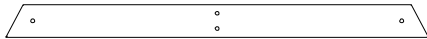


A4M01782 A-FRAME BRACKET
(x1)

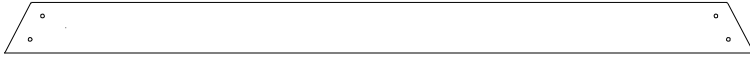
TIP:
INSTALL T-NUTS IN WOOD FIRST



STEP 5 - SWING BEAM ASSEMBLY



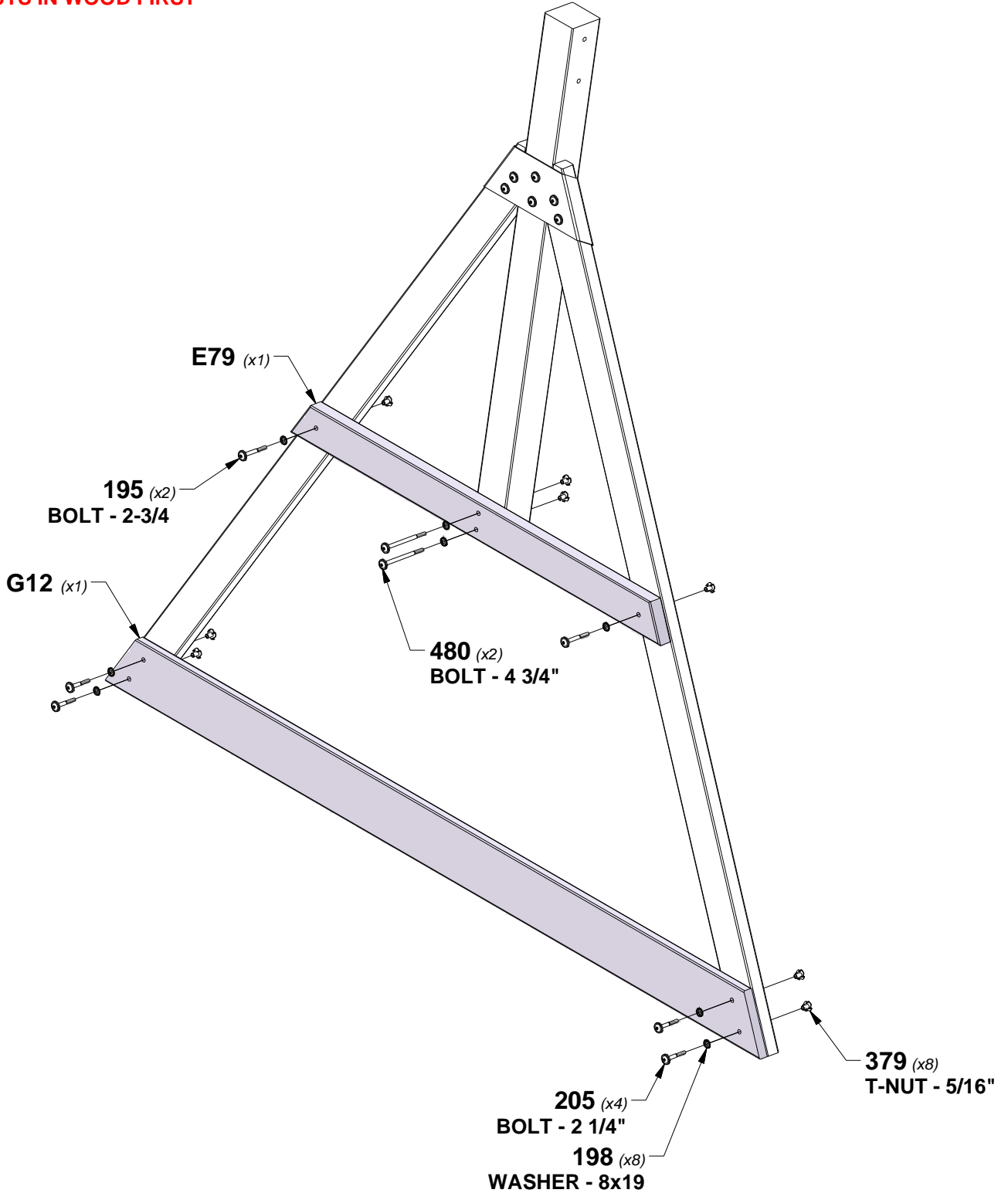
E79 END SUPPORT - W4L18496
(x1) 1 1/2"x3 1/2"x44" (36x86x1120)



G12 GROUND BOARD - W4L18497
(x1) 1"x5 1/4"x78 1/8" (24x134x1984)

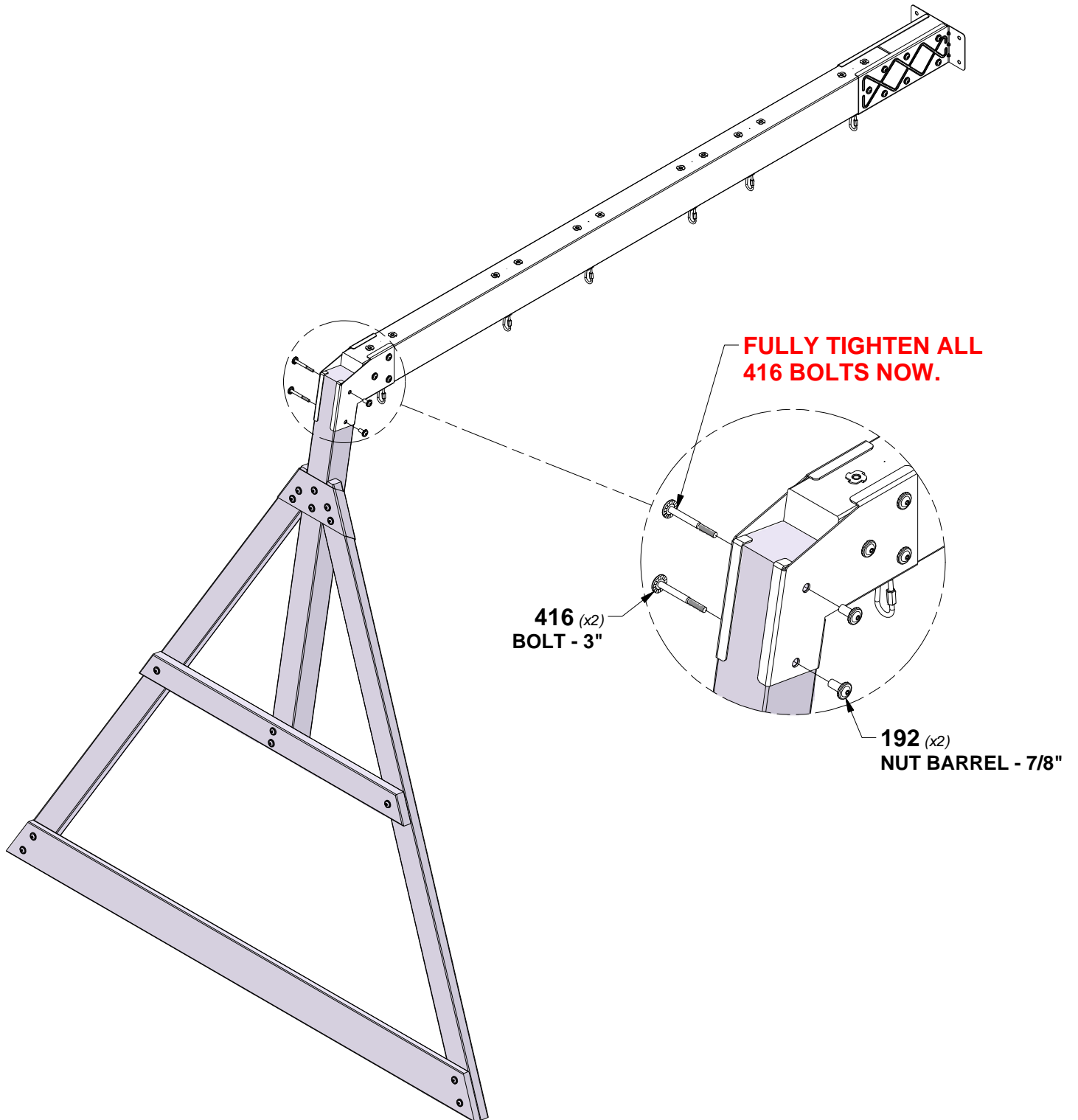
| QTY | PART NUMBER | DESCRIPTION |
|-----|-------------|--------------------------|
| 2 | H100195 | BOLT WH 5/16x2-3/4 BLK |
| 8 | H100198 | WASHER LOCK EXT 8x19 BLK |
| 4 | H100205 | BOLT WH 5/16x2-1/4 BLK |
| 8 | H100379 | T-NUT 5/16 BLK |
| 2 | H100480 | BOLT WH 5/16x4 3/4 BLK |

TIP:
INSTALL T-NUTS IN WOOD FIRST



STEP 6 - SWING BEAM ASSEMBLY

| QTY | PART NUMBER | DESCRIPTION |
|-----|-------------|----------------------------|
| 2 | H100192 | NUT BARREL WH 5/16x7/8 BLK |
| 2 | H100416 | BOLT WH 5/16x3 BLK |



STEP 1 - FORT ASSEMBLY



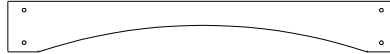
E7 RIGHT REAR UPRIGHT - W4L17831
 (x1) 1 3/8"x3 3/8"x43 1/2" (36x86x1104)



E9 RIGHT FRONT UPRIGHT - W4L17833
 (x1) 1 3/8"x3 3/8"x43 1/2" (36x86x1104)



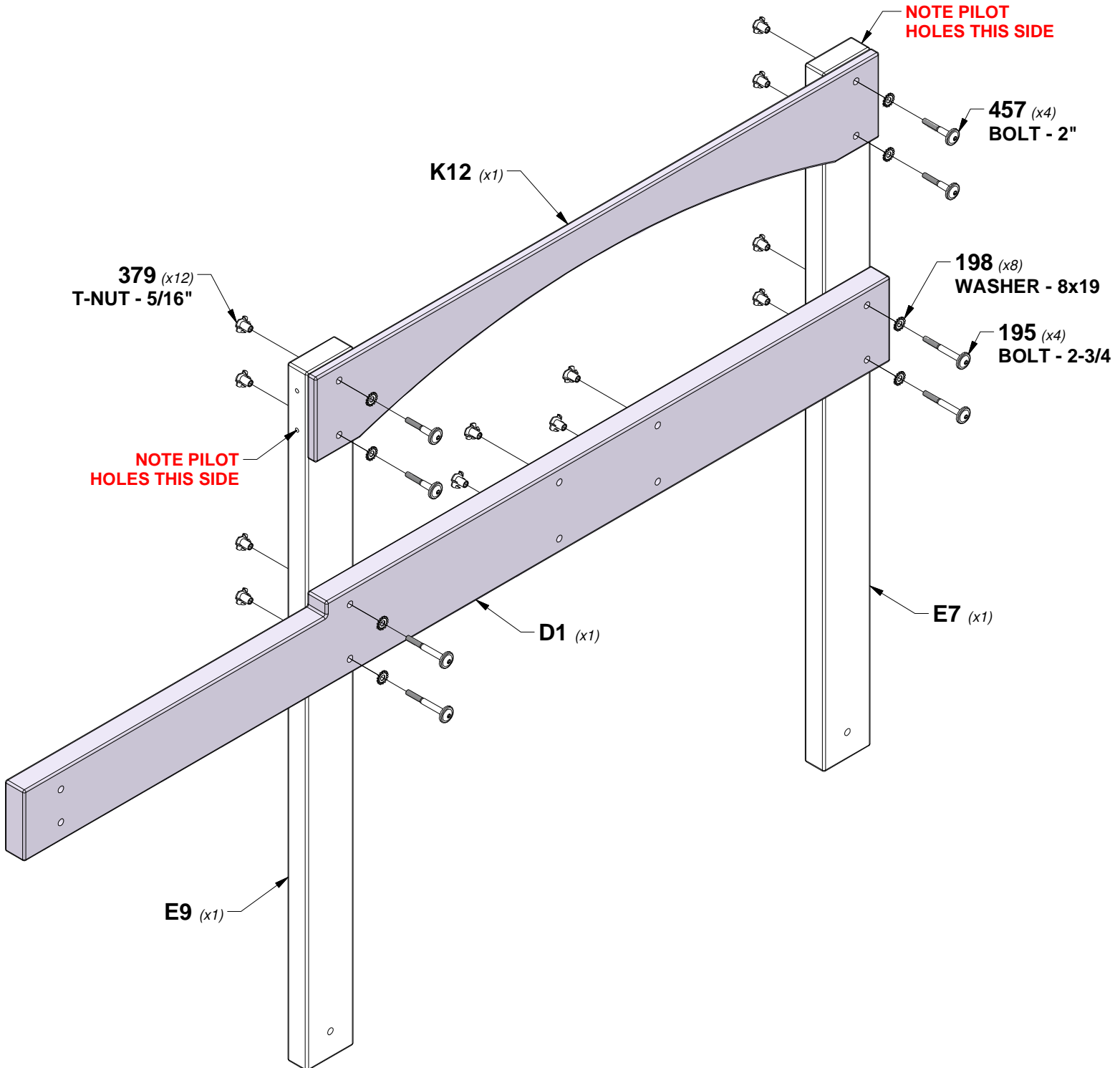
D1 SWING BEAM MOUNT - W4L19015
 (x1) 1 3/8"x5 1/4"x62 3/8" (36x134x1585)



K12 ARCHED WALL RAIL - W4L11143
 (x1) 5/8"x5 1/4"x40 5/8" (16x134x1032)

| QTY | PART NUMBER | DESCRIPTION |
|-----|-------------|--------------------------|
| 4 | H100195 | BOLT WH 5/16x2-3/4 BLK |
| 8 | H100198 | WASHER LOCK EXT 8x19 BLK |
| 12 | H100379 | T-NUT 5/16 BLK |
| 4 | H100457 | BOLT WH 5/16x2 BLK |

TIP:
INSTALL T-NUTS IN WOOD FIRST

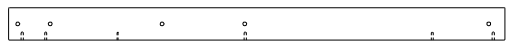


STEP 2 - FORT ASSEMBLY

| QTY | PART NUMBER | DESCRIPTION |
|-----|-------------|--------------------------|
| 6 | H100198 | WASHER LOCK EXT 8x19 BLK |
| 6 | H100205 | BOLT WH 5/16x2-1/4 BLK |
| 6 | H100379 | T-NUT 5/16 BLK |



G5 RIGHT CENTER WALL RAIL - W4L19006
(x1) 1"x5 1/4"x63 3/8" (24x134x1609)



E4 RIGHT FRONT UPRIGHT - W4L17825
(x1) 1 3/8"x3 3/8"x51 3/4" (36x86x1314)

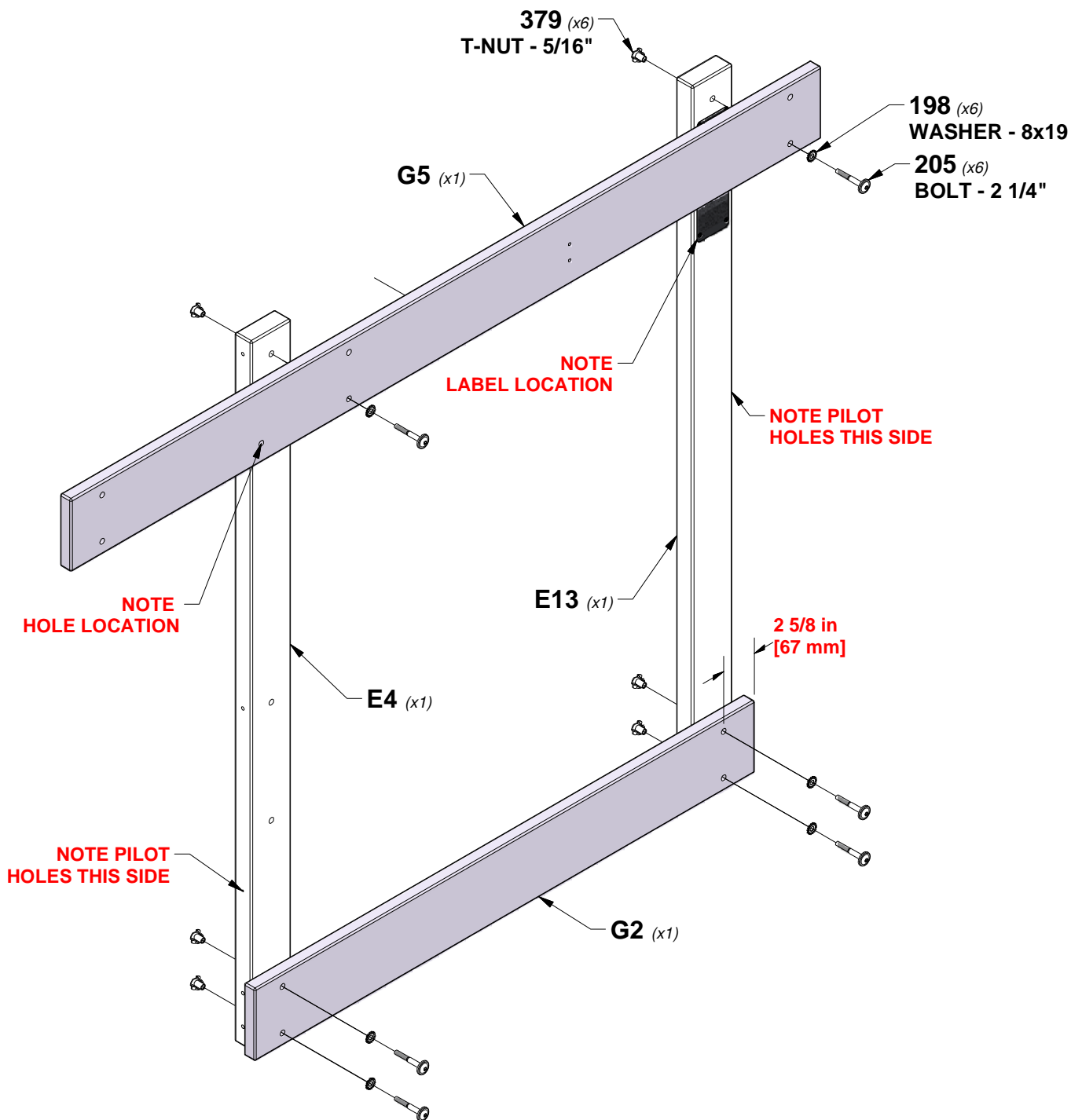


E13 RIGHT REAR UPRIGHT ASSEMBLY - W2A03847
(x1) 1 3/8"x3 3/8"x51 3/4" (36x86x1314)



G2 GROUND BOARD - W4L19003
(x1) 1"x5 1/4"x42 1/4" (24x134x1072)

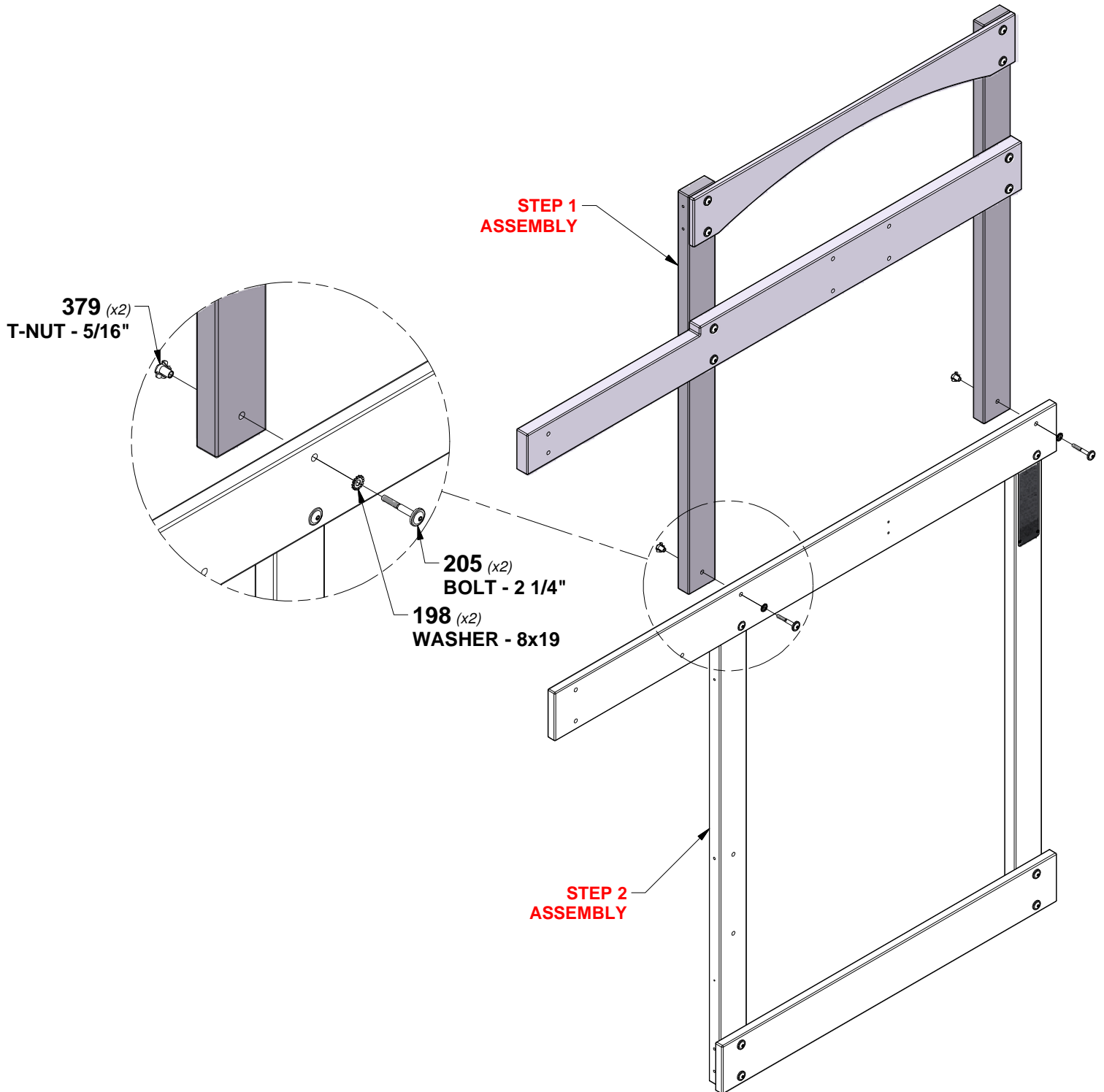
TIP:
INSTALL T-NUTS IN WOOD FIRST



STEP 3 - FORT ASSEMBLY

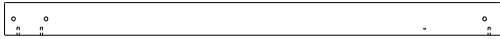
| QTY | PART NUMBER | DESCRIPTION |
|-----|-------------|--------------------------|
| 2 | H100198 | WASHER LOCK EXT 8x19 BLK |
| 2 | H100205 | BOLT WH 5/16x2-1/4 BLK |
| 2 | H100379 | T-NUT 5/16 BLK |

TIP:
INSTALL T-NUTS IN WOOD FIRST

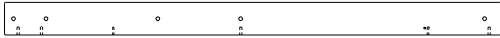


STEP 4 - FORT ASSEMBLY

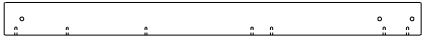
| QTY | PART NUMBER | DESCRIPTION |
|-----|-------------|--------------------------|
| 12 | H100198 | WASHER LOCK EXT 8x19 BLK |
| 12 | H100205 | BOLT WH 5/16x2-1/4 BLK |
| 12 | H100379 | T-NUT 5/16 BLK |



E2 LEFT REAR UPRIGHT - W4L17823
(x1) 1 3/8"x3 3/8"x51 3/4" (36x86x1314)



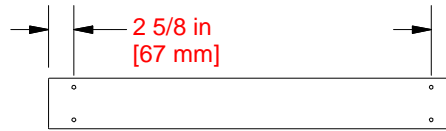
E3 LEFT FRONT UPRIGHT - W4L17824
(x1) 1 3/8"x3 3/8"x51 3/4" (36x86x1314)



E6 LEFT REAR UPRIGHT - W4L19001
(x1) 1 3/8"x3 3/8"x43 1/2" (36x86x1104)



E8 LEFT FRONT UPRIGHT - W4L19002
(x1) 1 3/8"x3 3/8"x43 1/2" (36x86x1104)



G3 GROUND BOARD - W4L19004
(x1) 1"x5 1/4"x42 1/4" (24x134x1072)

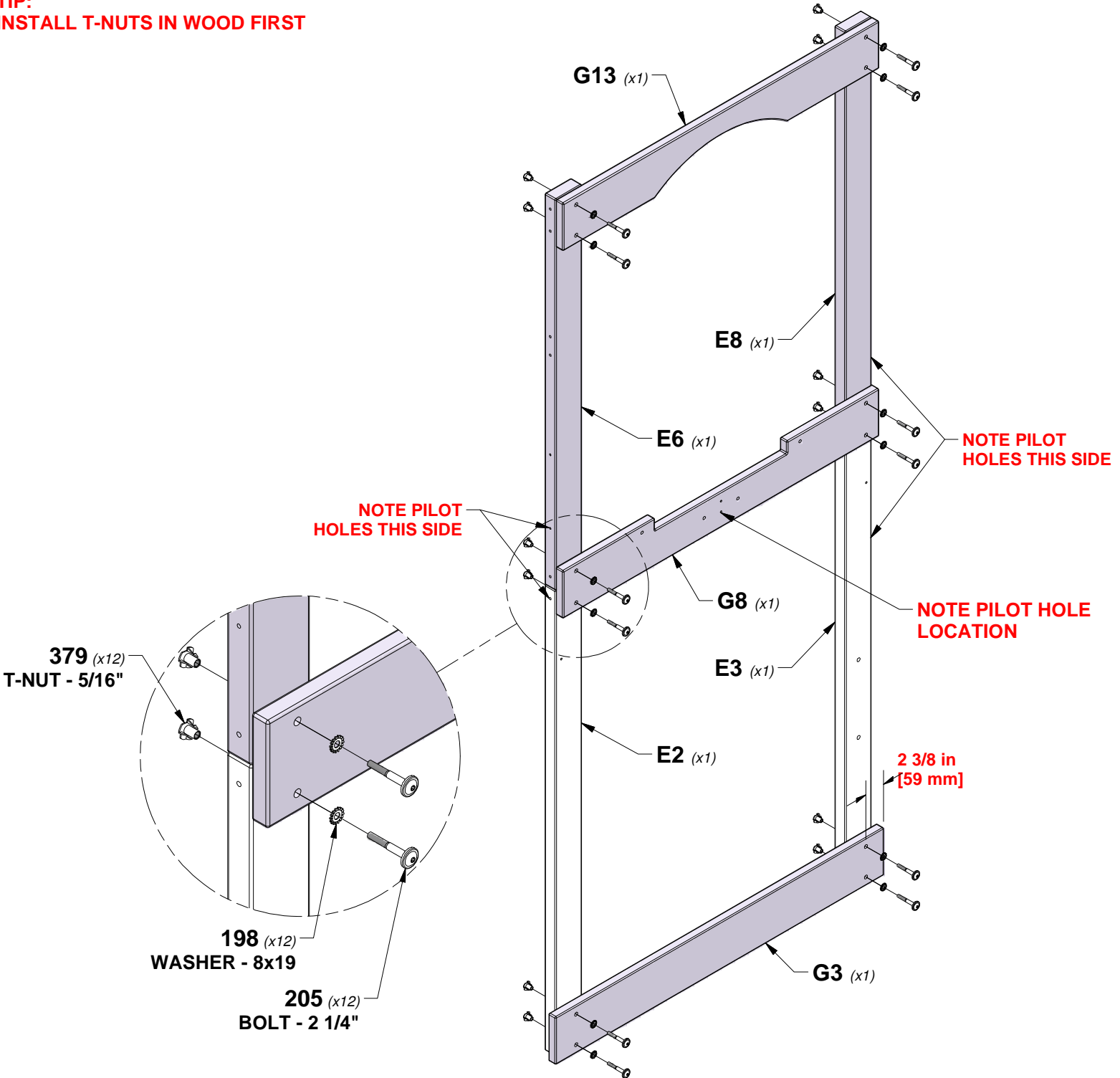


G8 LEFT CENTER WALL RAIL - W4L19000
(x1) 1"x5 1/4"x40 5/8" (24x134x1032)



G13 ARCHED WALL RAIL - W4L19010
(x1) 1"x5 1/4"x40 5/8" (24x134x1032)

TIP:
INSTALL T-NUTS IN WOOD FIRST



STEP 5 - FORT ASSEMBLY

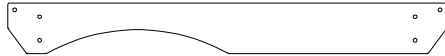
| QTY | PART NUMBER | DESCRIPTION |
|-----|-------------|-----------------------------|
| 3 | H100197 | LAG SCREW WH 5/16x2-1/2 BLK |
| 12 | H100198 | WASHER LOCK EXT 8x19 BLK |
| 2 | H100206 | LAG SCREW WH 5/16x3 BLK |
| 8 | H100458 | LAG SCREW WH 5/16x2 BLK |



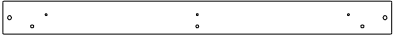
G6 FRONT CENTER WALL RAIL - W4L19014
(x1) 1"x5 1/4"x61 3/4" (24x134x1570)



K4 GROUND BOARD - W4L19009
(x1) 5/8"x5 1/4"x40 1/2" (16x134x1030)



G15 ANGLED WALL RAIL - W4L19012
(x1) 1"x5 1/4"x45 3/4" (24x134x1162)

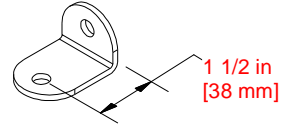


M1 WALL RAIL - W4L19013
(x1) 5/8"x3 3/8"x40 1/2" (16x86x1030)

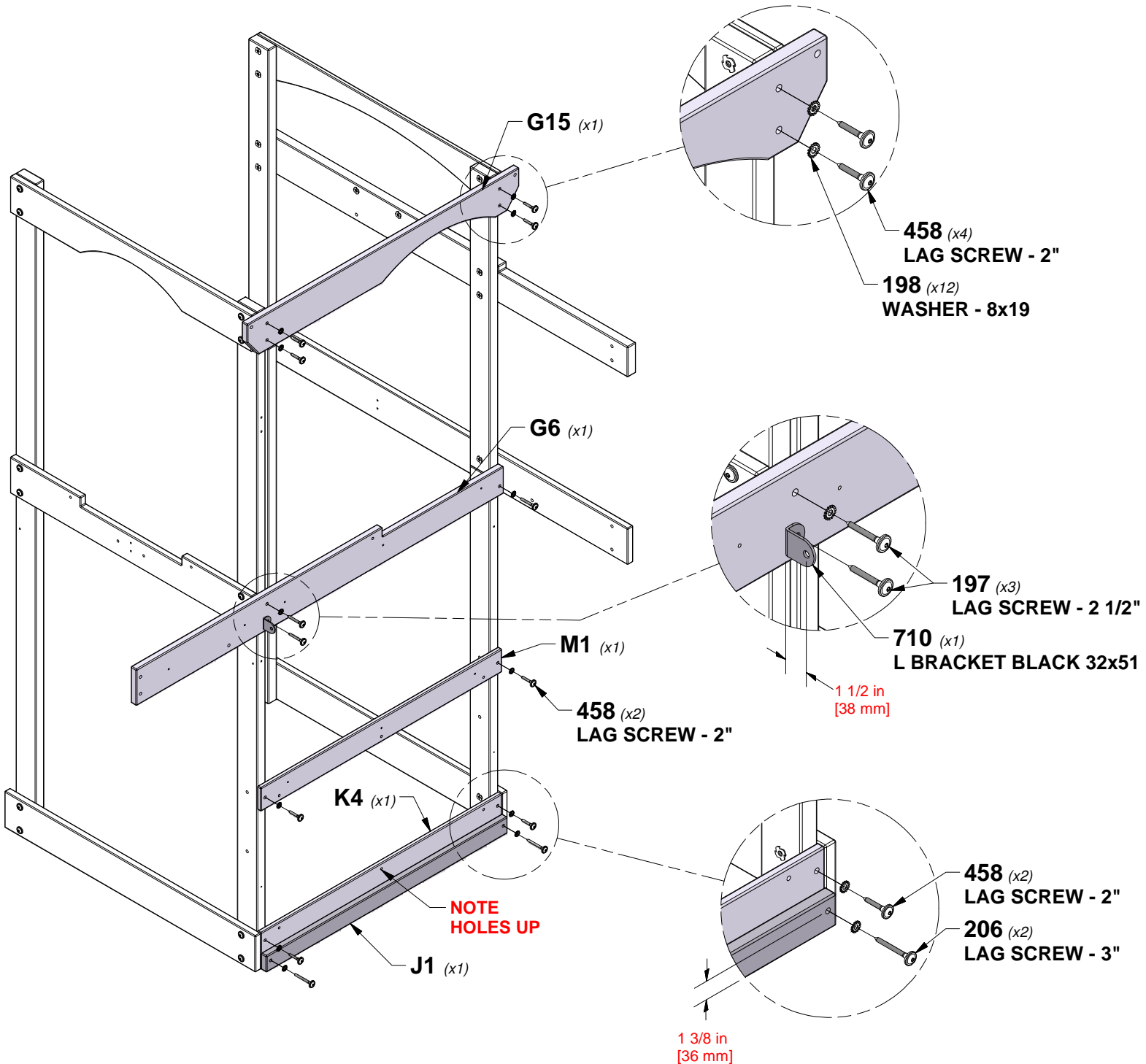


J1 PORCH GROUND BOARD - W4L11128
(x1) 1"x2 3/8"x40 1/2" (24x60x1030)

1 3/8 in
[36 mm]

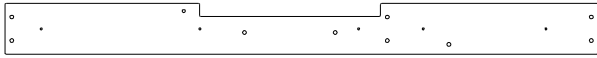


A4M00710 L BRACKET BLACK 32x51
(x1)



STEP 6 - FORT ASSEMBLY

| QTY | PART NUMBER | DESCRIPTION |
|-----|-------------|-----------------------------|
| 8 | H100197 | LAG SCREW WH 5/16x2-1/2 BLK |
| 12 | H100198 | WASHER LOCK EXT 8x19 BLK |
| 2 | H100379 | T-NUT 5/16 BLK |
| 4 | H100458 | LAG SCREW WH 5/16x2 BLK |



G7 REAR CENTER WALL RAIL - W4L19007
(x1) 1"x5 1/4"x61 3/4" (24x134x1570)

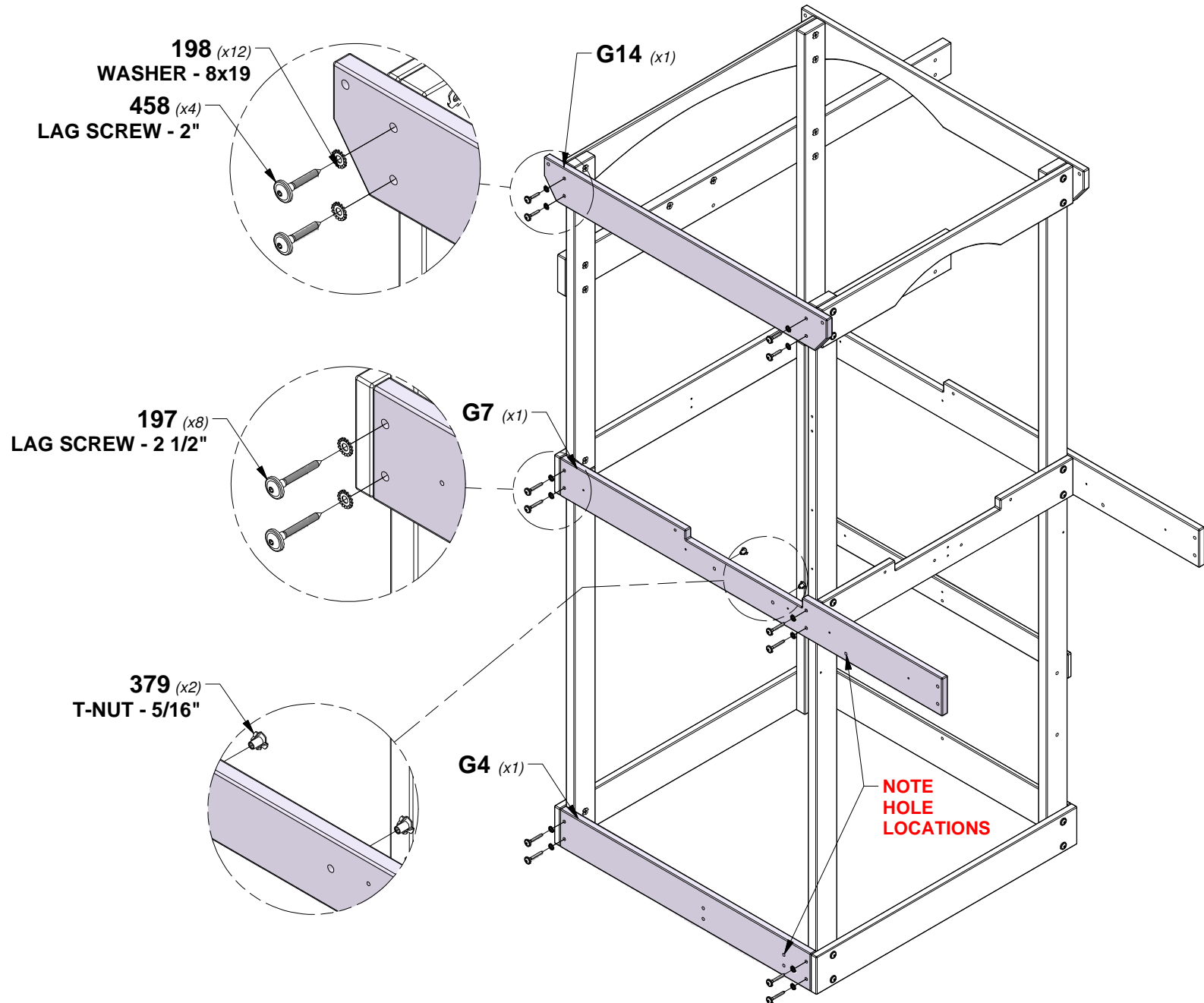


G4 GROUND BOARD - W4L19005
(x1) 1"x5 1/4"x40 1/2" (24x134x1030)



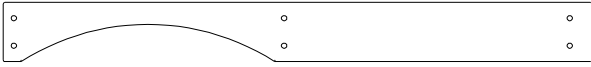
G14 ANGLED WALL RAIL - W4L19011
(x1) 1"x5 1/4"x45 3/4" (24x134x1162)

TIP:
INSTALL T-NUTS IN WOOD FIRST



STEP 7 - FORT ASSEMBLY

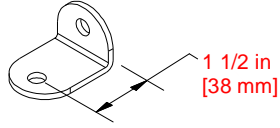
| QTY | PART NUMBER | DESCRIPTION |
|-----|-------------|-----------------------------|
| 4 | H100197 | LAG SCREW WH 5/16x2-1/2 BLK |
| 3 | H100198 | WASHER LOCK EXT 8x19 BLK |



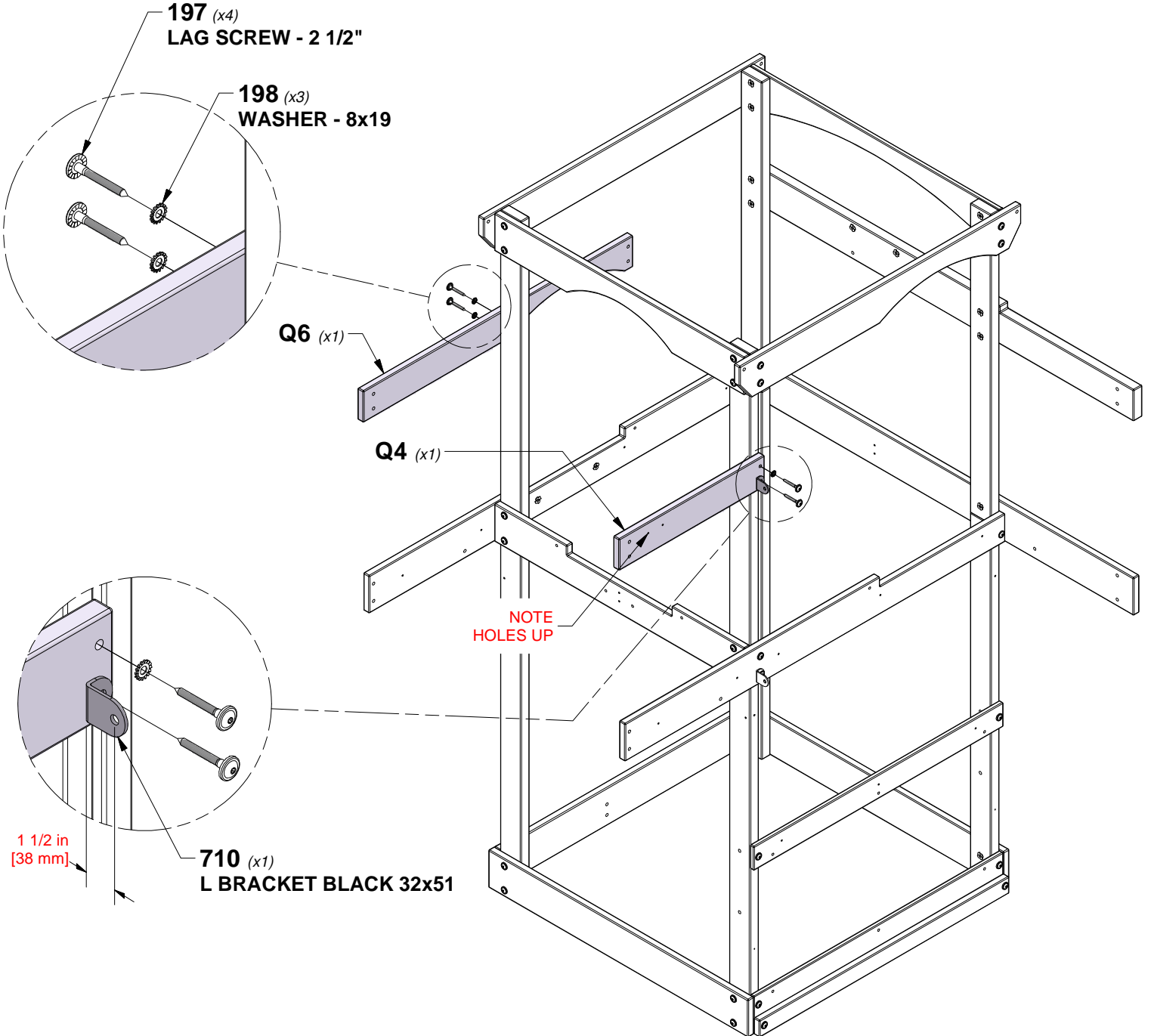
Q6 ARCHED WALL RAIL - W4L19016
(x1) 1"x4 3/8"x43 7/8" (24x112x1113)



Q4 WALL RAIL - W4L17654
(x1) 1"x4 3/8"x23 5/8" (24x112x600)



A4M00710 L BRACKET
(x1) BLACK 32x51



STEP 8 - FORT ASSEMBLY

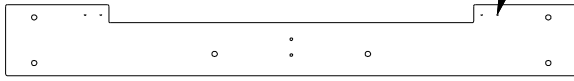
| QTY | PART NUMBER | DESCRIPTION |
|-----|-------------|-----------------------------|
| 8 | H100197 | LAG SCREW WH 5/16x2-1/2 BLK |
| 16 | H100198 | WASHER LOCK EXT 8x19 BLK |
| 8 | H100205 | BOLT WH 5/16x2-1/4 BLK |
| 8 | H100379 | T-NUT 5/16 BLK |



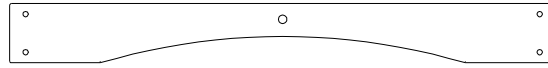
F1 RIGHT BALCONY UPRIGHT - W4L17806
(x1) 1 3/8"x2 3/8"x31 3/4" (36x60x805)



F2 LEFT BALCONY UPRIGHT - W4L17807
(x1) 1 3/8"x2 3/8"x31 3/4" (36x60x805)

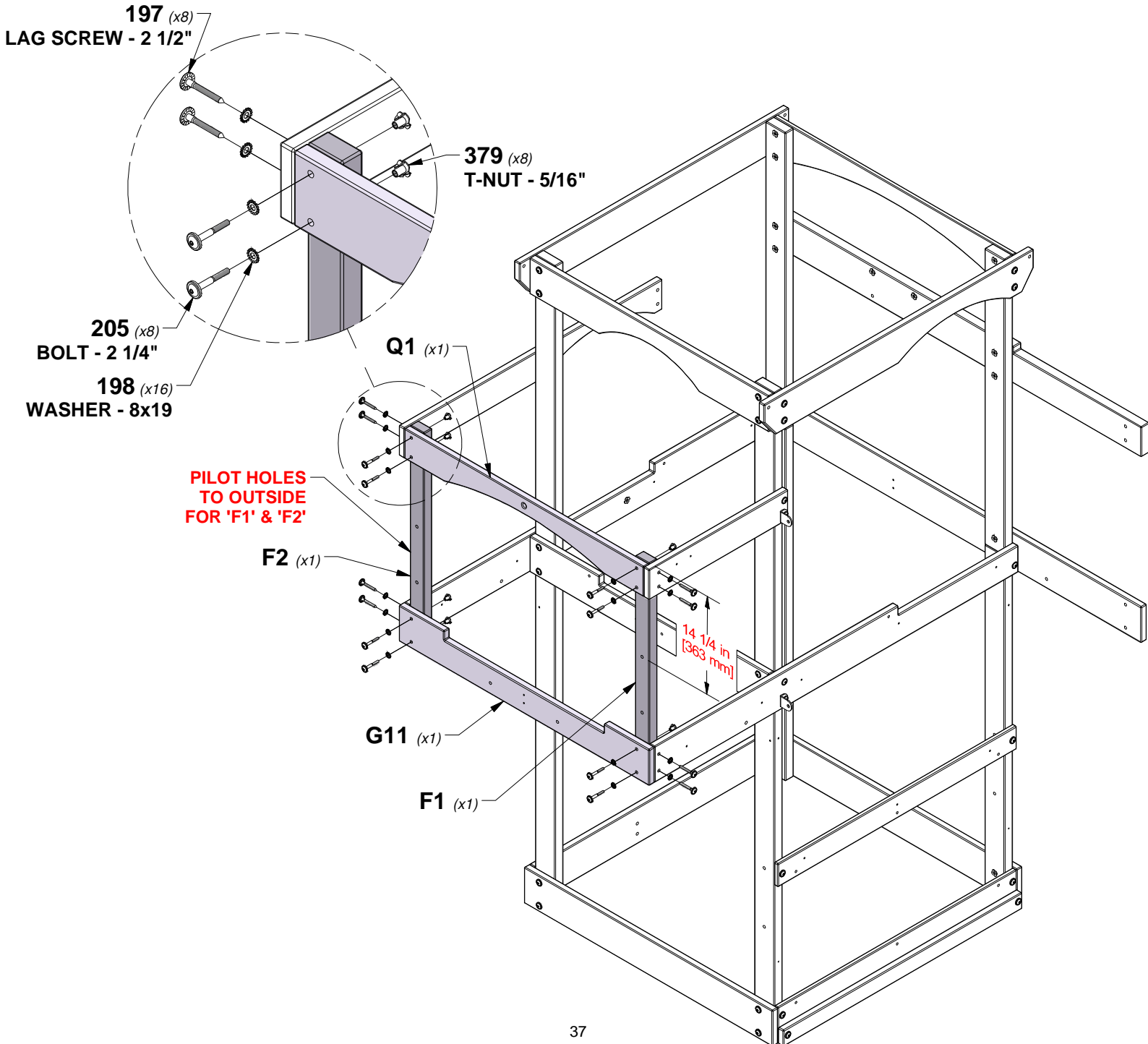


G11 LEFT SIDE WALL BOARD - W4L19008
(x1) 1"x5 1/4"x42 1/2" (24x134x1080)

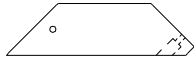


Q1 ARCHED WALL RAIL - W4L11142
(x1) 1"x4 3/8"x40 5/8" (24x112x1032)

TIP:
INSTALL T-NUTS IN WOOD FIRST



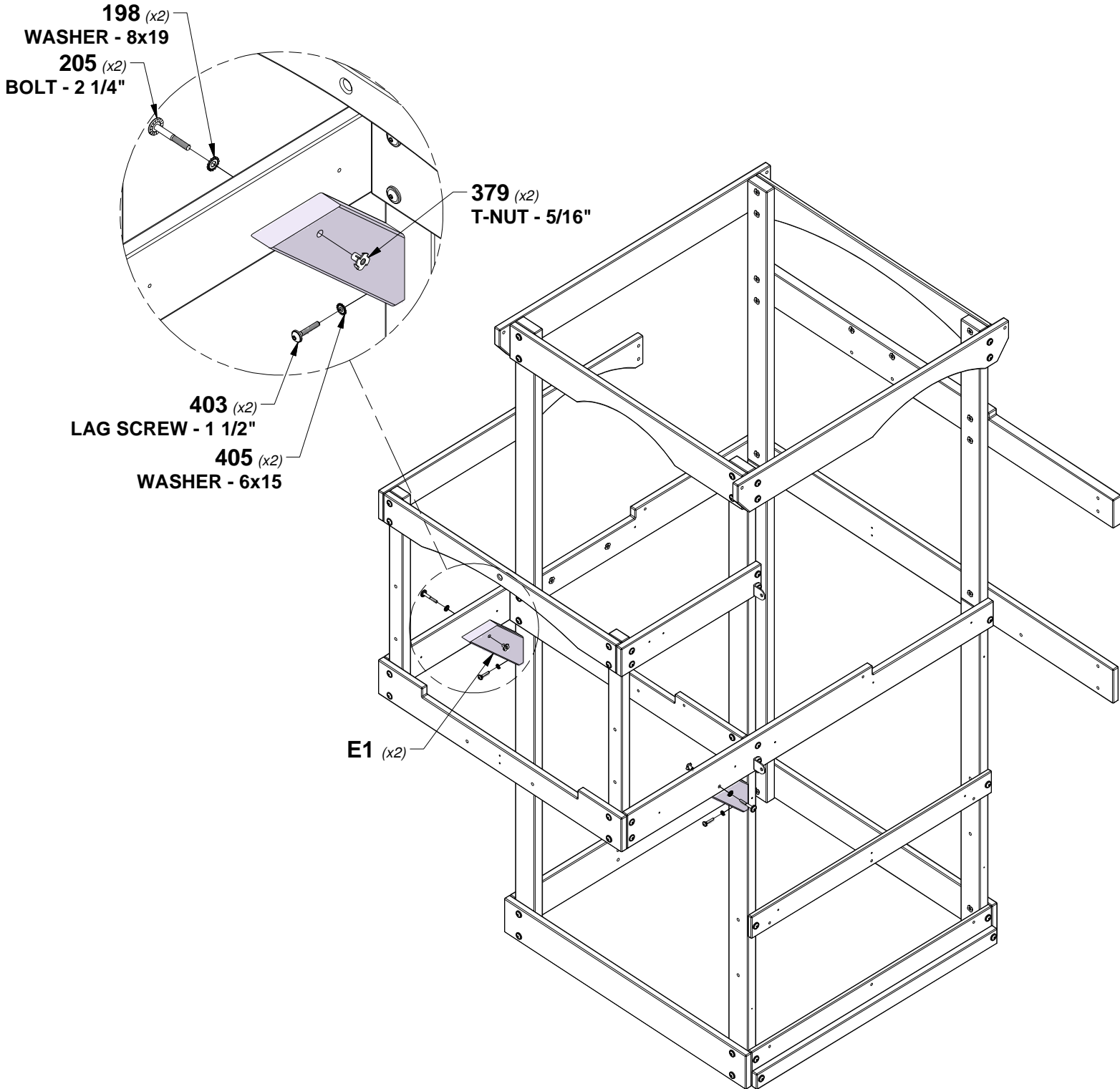
STEP 9 - FORT ASSEMBLY



E1 DECK BRACE - W4L17821
 (x2) 1 3/8"x3 3/8"x12 1/4" (36x86x311)

| QTY | PART NUMBER | DESCRIPTION |
|-----|-------------|----------------------------|
| 2 | H100198 | WASHER LOCK EXT 8x19 BLK |
| 2 | H100205 | BOLT WH 5/16x2-1/4 BLK |
| 2 | H100379 | T-NUT 5/16 BLK |
| 2 | H100403 | LAG SCREW WH 1/4x1-1/2 BLK |
| 2 | H100405 | WASHER LOCK EXT 6x15 BLK |

TIP:
INSTALL T-NUTS IN WOOD FIRST



STEP 10 - FORT ASSEMBLY

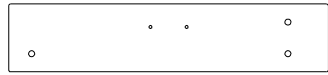
| QTY | PART NUMBER | DESCRIPTION |
|-----|-------------|----------------------------|
| 2 | H100192 | NUT BARREL WH 5/16x7/8 BLK |
| 2 | H100199 | WASHER LOCK EXT 12x19 BLK |
| 4 | H100382 | SCREW PFH 8x1 3/4 BLK |
| 2 | H100396 | BOLT WH 5/16x1/2 BLK |



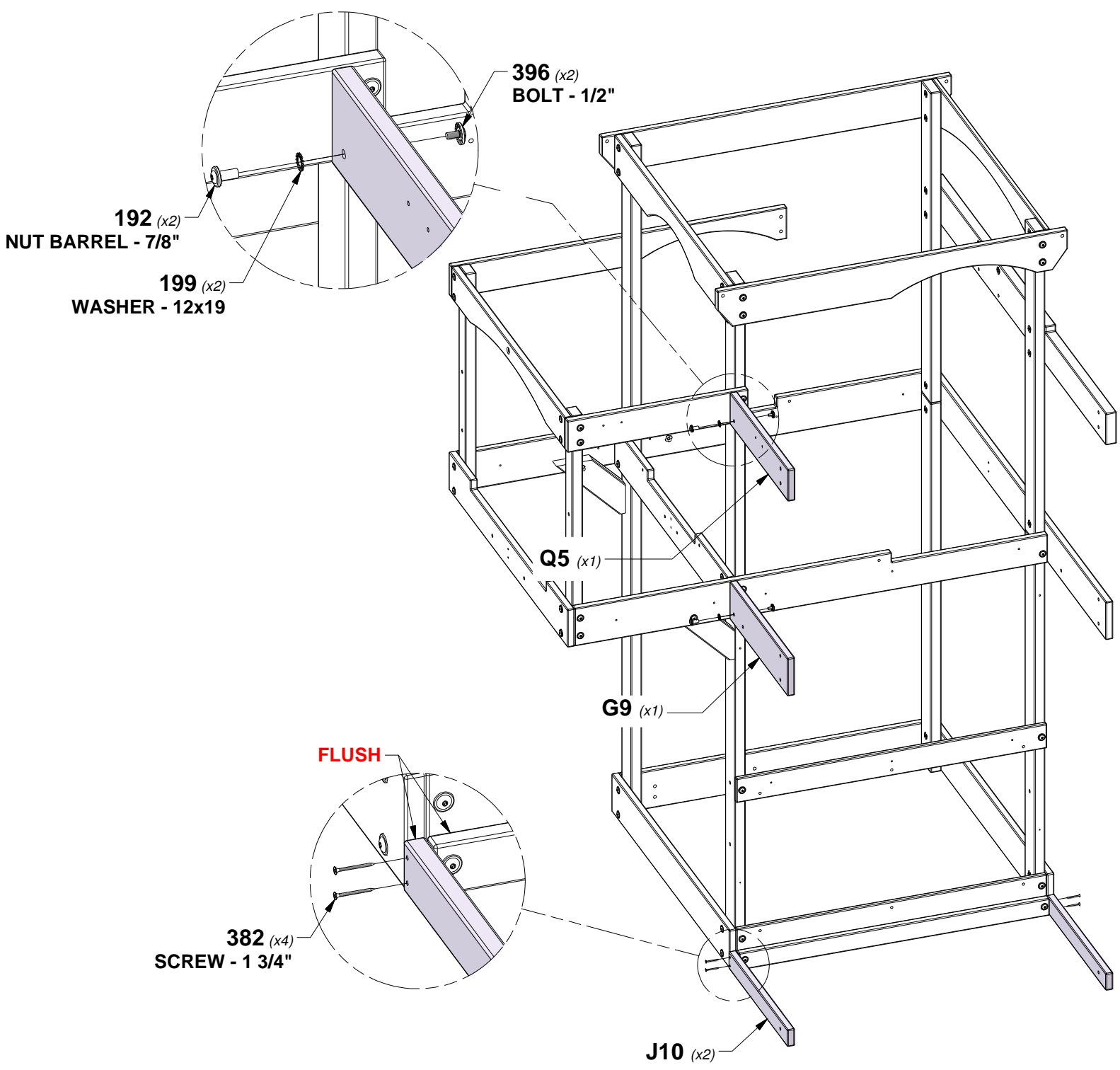
J10 PORCH GROUND BOARD - W4L17650
(x2) 1"x2 3/8"x21 1/8" (24x60x537)



G9 LEFT BALCONY WALL RAIL - W4L17648
(x1) 1"x5 1/4"x20 3/4" (24x134x528)



Q5 WALL RAIL - W4L17655
(x1) 1"x4 3/8"x20 7/8" (24x112x529)

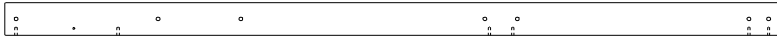


STEP 11 - FORT ASSEMBLY

| QTY | PART NUMBER | DESCRIPTION |
|-----|-------------|--------------------------|
| 2 | H100195 | BOLT WH 5/16x2-3/4 BLK |
| 10 | H100198 | WASHER LOCK EXT 8x19 BLK |
| 8 | H100205 | BOLT WH 5/16x2-1/4 BLK |
| 10 | H100379 | T-NUT 5/16 BLK |

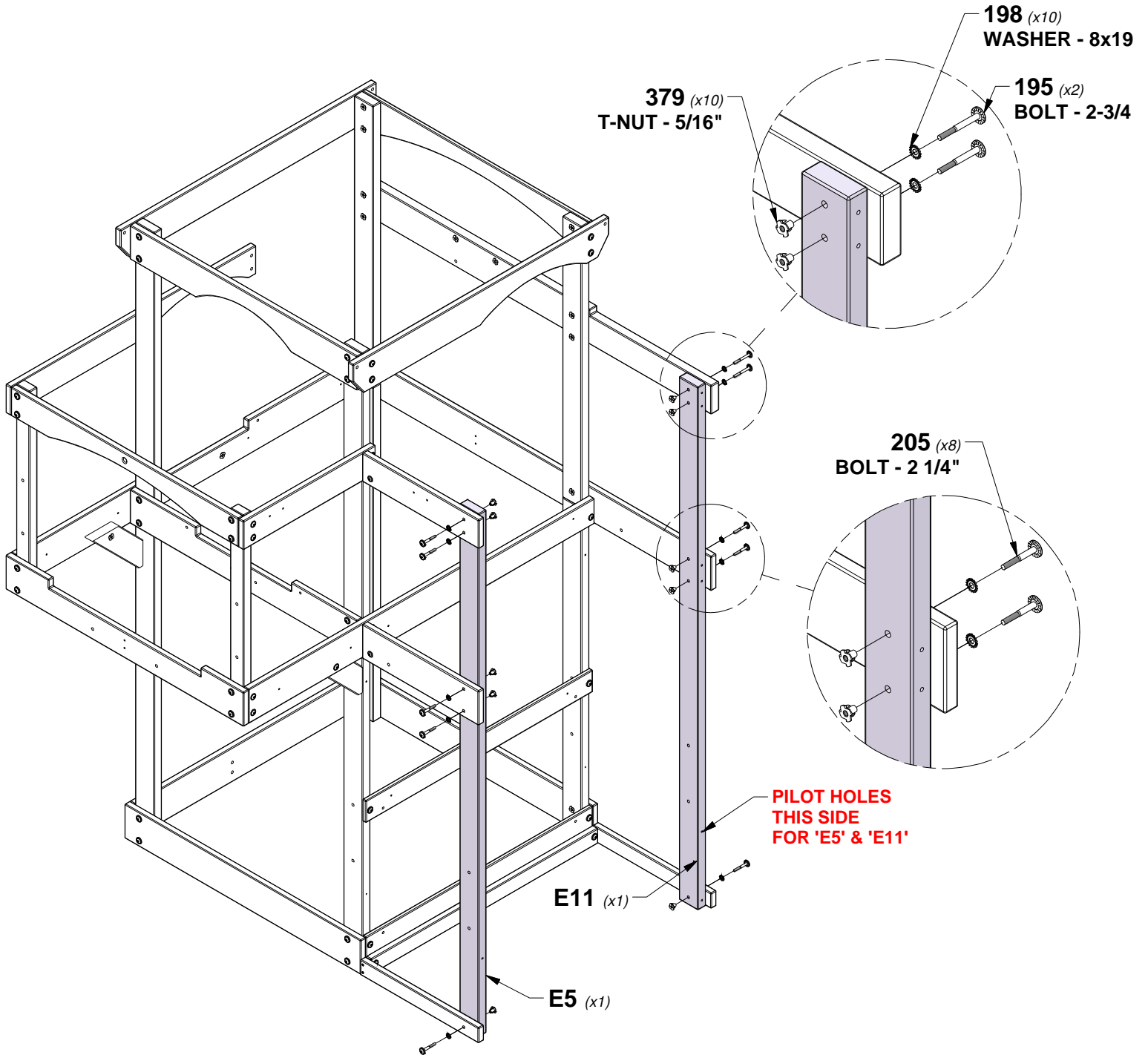


E5 RIGHT FRONT BALCONY UPRIGHT - W4L17826
 (x1) 1 3/8"x3 3/8"x80 3/4" (36x86x2052)



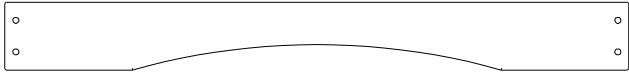
E11 RIGHT FRONT BALCONY UPRIGHT - W4L17827
 (x1) 1 3/8"x3 3/8"x80 3/4" (36x86x2052)

TIP:
INSTALL T-NUTS IN WOOD FIRST

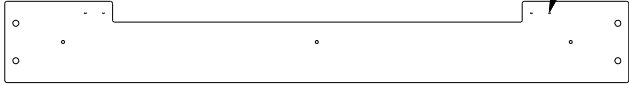


STEP 12 - FORT ASSEMBLY

| QTY | PART NUMBER | DESCRIPTION |
|-----|-------------|-----------------------------|
| 8 | H100197 | LAG SCREW WH 5/16x2-1/2 BLK |
| 10 | H100198 | WASHER LOCK EXT 8x19 BLK |
| 2 | H100458 | LAG SCREW WH 5/16x2 BLK |

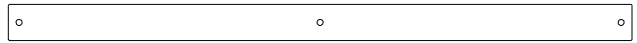


Q3 **ARCHED WALL RAIL - W4L17653**
 (x1) 1"x4 3/8"x40 5/8" (24x112x1032)

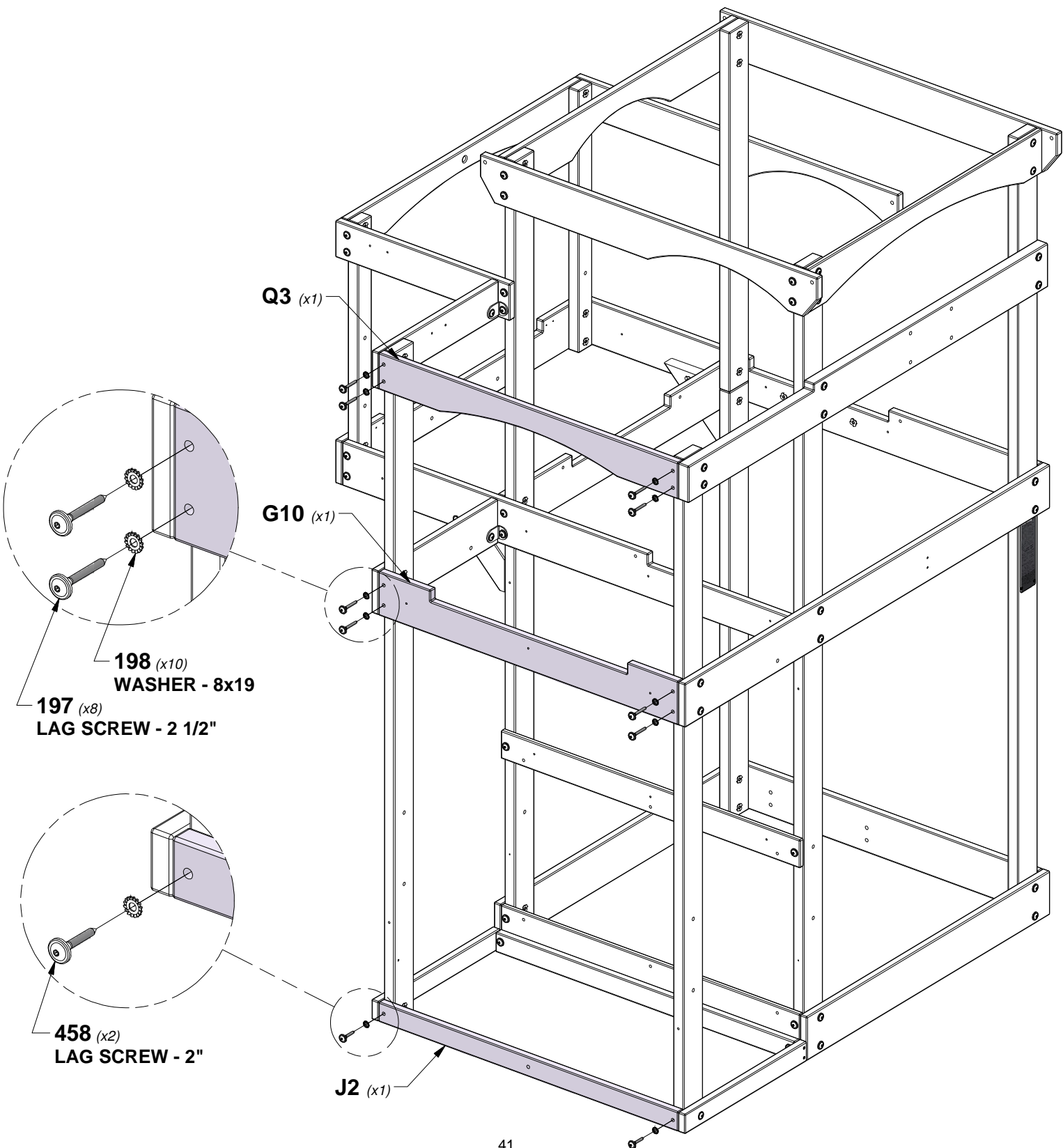


G10 **FRONT BALCONY WALL RAIL - W4L17649**
 (x1) 1"x5 1/4"x40 5/8" (24x134x1032)

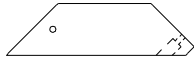
PILOT HOLES INWARD WHEN INSTALLED



J2 **PORCH GROUND BOARD - W4L11129**
 (x1) 1"x2 3/8"x40 5/8" (24x60x1032)



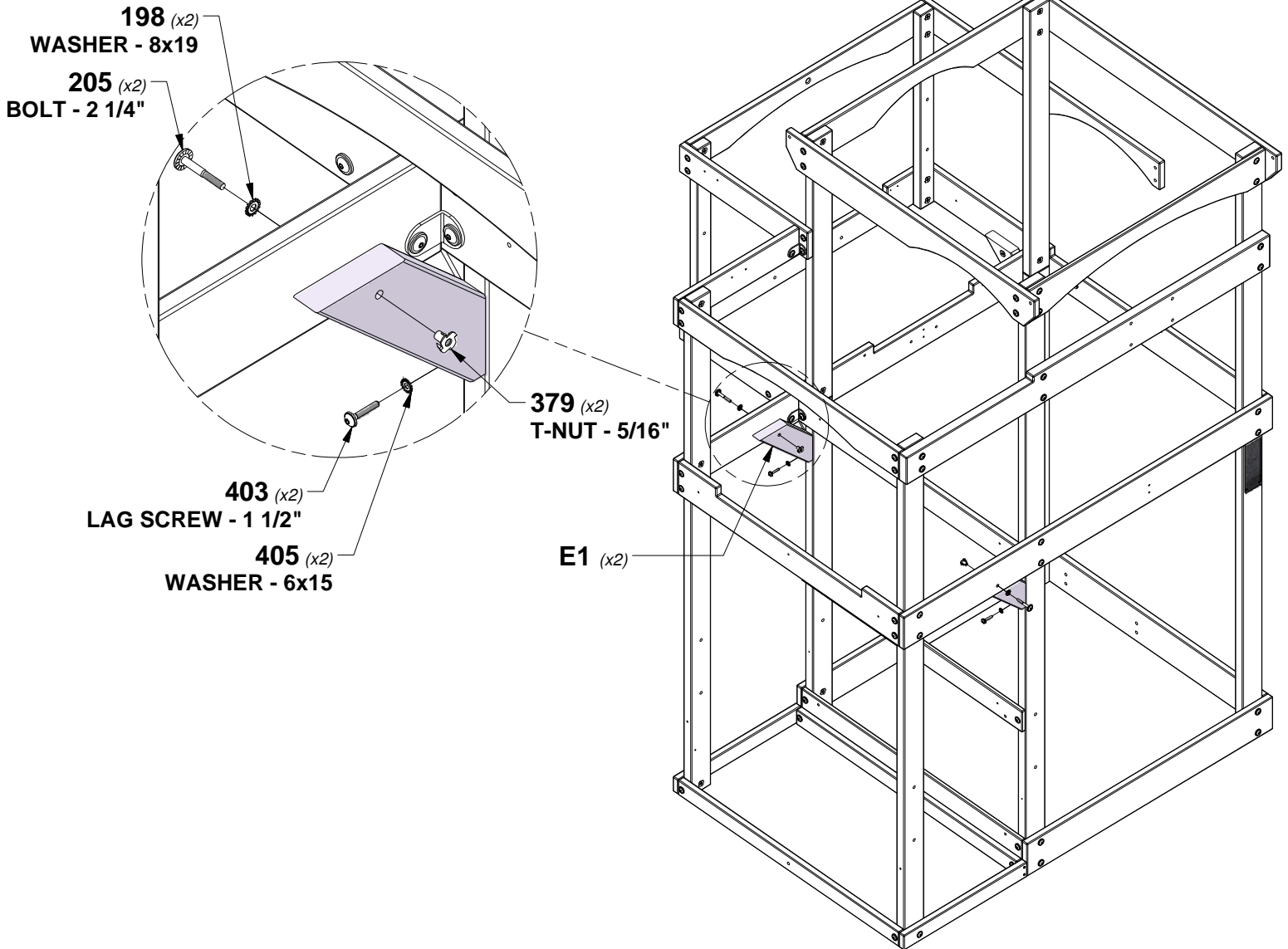
STEP 13 - FORT ASSEMBLY



E1 DECK BRACE - W4L17821
 (x2) 1 3/8"x3 3/8"x12 1/4" (36x86x311)

| QTY | PART NUMBER | DESCRIPTION |
|-----|-------------|----------------------------|
| 2 | H100198 | WASHER LOCK EXT 8x19 BLK |
| 2 | H100205 | BOLT WH 5/16x2-1/4 BLK |
| 2 | H100379 | T-NUT 5/16 BLK |
| 2 | H100403 | LAG SCREW WH 1/4x1-1/2 BLK |
| 2 | H100405 | WASHER LOCK EXT 6x15 BLK |

TIP:
INSTALL T-NUTS IN WOOD FIRST



STEP 14 - FORT ASSEMBLY

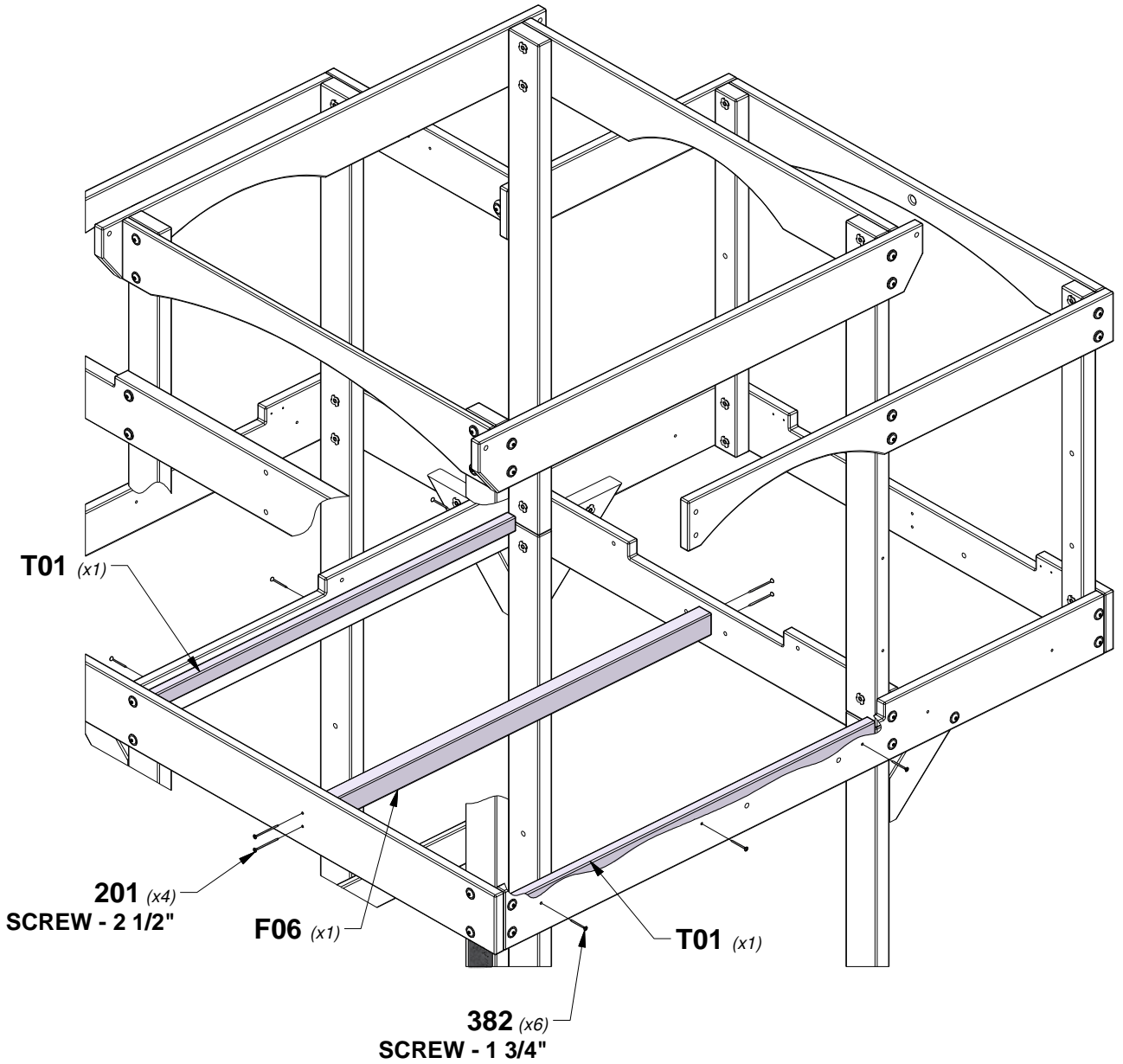
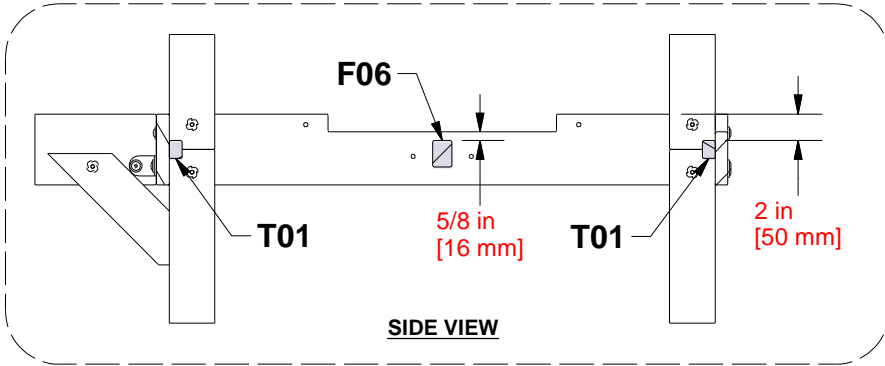
| QTY | PART NUMBER | DESCRIPTION |
|-----|-------------|-----------------------|
| 4 | H100201 | SCREW PFH 8x2-1/2 BLK |
| 6 | H100382 | SCREW PFH 8x1 3/4 BLK |



F06 FLOOR JOIST - W4L18510
 (x1) 1 3/8"x2"x40 1/2" (36x50x1030)



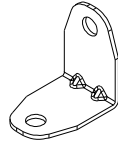
T01 SUPPORT BOARD - W4L18507
 (x2) 1"x1 3/8"x37 5/8" (24x34x957)



STEP 15 - FORT ASSEMBLY

| QTY | PART NUMBER | DESCRIPTION |
|-----|-------------|---------------------------|
| 2 | H100171 | BOLT WH 1/4x1 BLK |
| 2 | H100201 | SCREW PFH 8x2-1/2 BLK |
| 4 | H100382 | SCREW PFH 8x1 3/4 BLK |
| 2 | H100398 | T-NUT 1/4 BLK |
| 1 | H100399 | NUT BARREL WH 1/4x7/8 BLK |
| 1 | H100401 | BOLT WH 1/4x1/2 BLK |

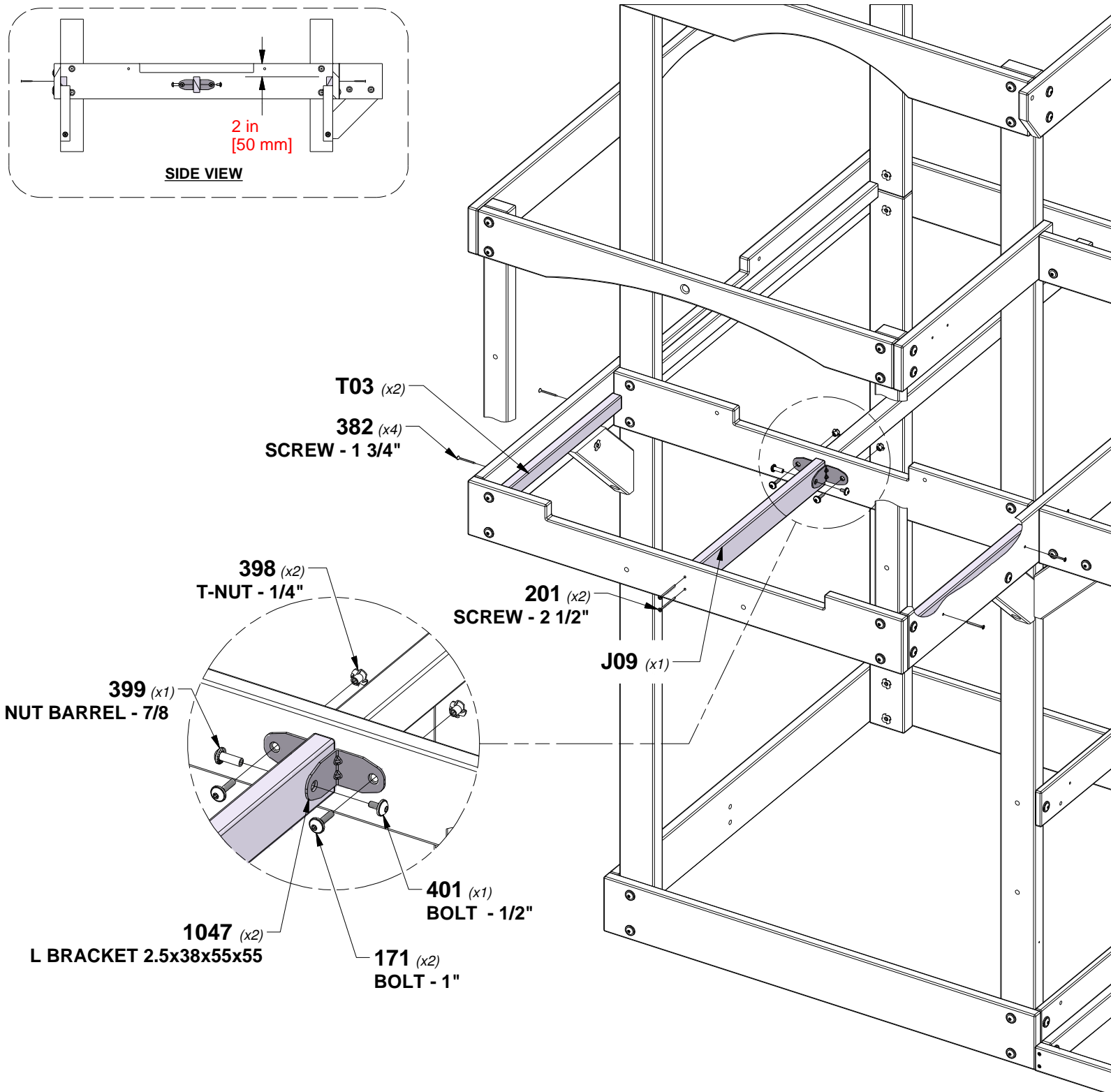
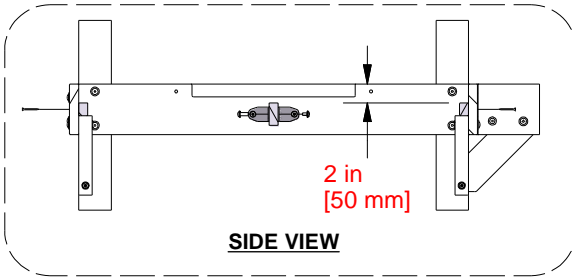
J09 FLOOR JOIST - W4L18527
 (x1) 1"x2 3/8"x20 1/4" (24x60x515)



A4M01047 L BRACKET
 (x2) 2.5x38x55x55

T03 SUPPORT BOARD - W4L18509
 (x2) 1"x1 3/8"x18 3/4" (24x34x477)

TIP:
INSTALL T-NUTS IN WOOD FIRST



STEP 16 - FORT ASSEMBLY

| QTY | PART NUMBER | DESCRIPTION |
|-----|-------------|-----------------------|
| 56 | H100200 | SCREW PFH 8x1-1/2 BLK |

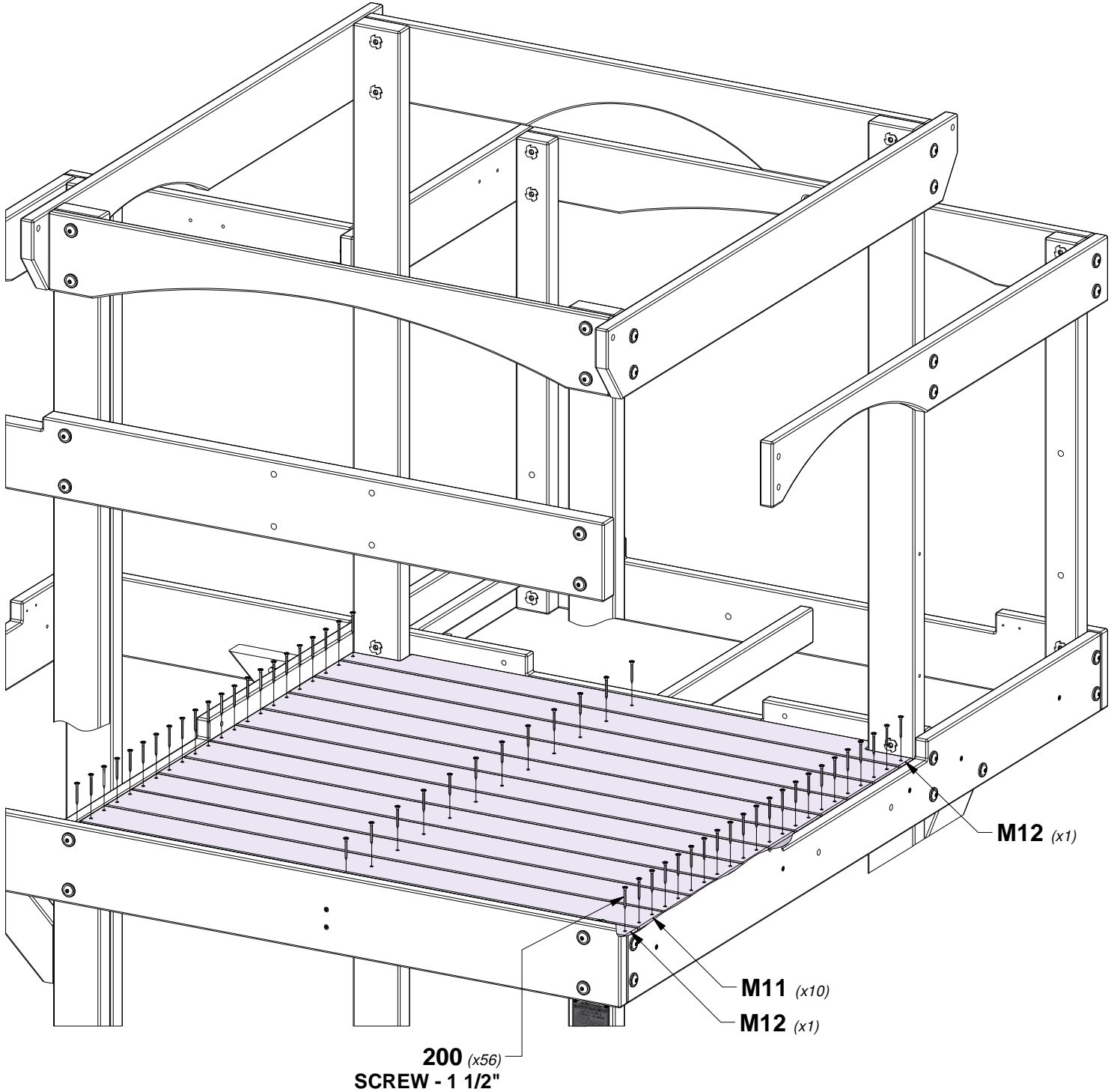


M11 FLOOR BOARD - W4L18522
(x10) 5/8"x3 3/8"x40 5/8" (16x86x1031)



M12 FLOOR BOARD - W4L18528
(x2) 5/8"x3 1/4"x40 5/8" (16x82x1031)

TIP:
PLACE BOARDS EVENLY
BEFORE INSERTING SCREWS



STEP 17 - FORT ASSEMBLY

| QTY | PART NUMBER | DESCRIPTION |
|-----|-------------|-----------------------|
| 28 | H100200 | SCREW PFH 8x1-1/2 BLK |

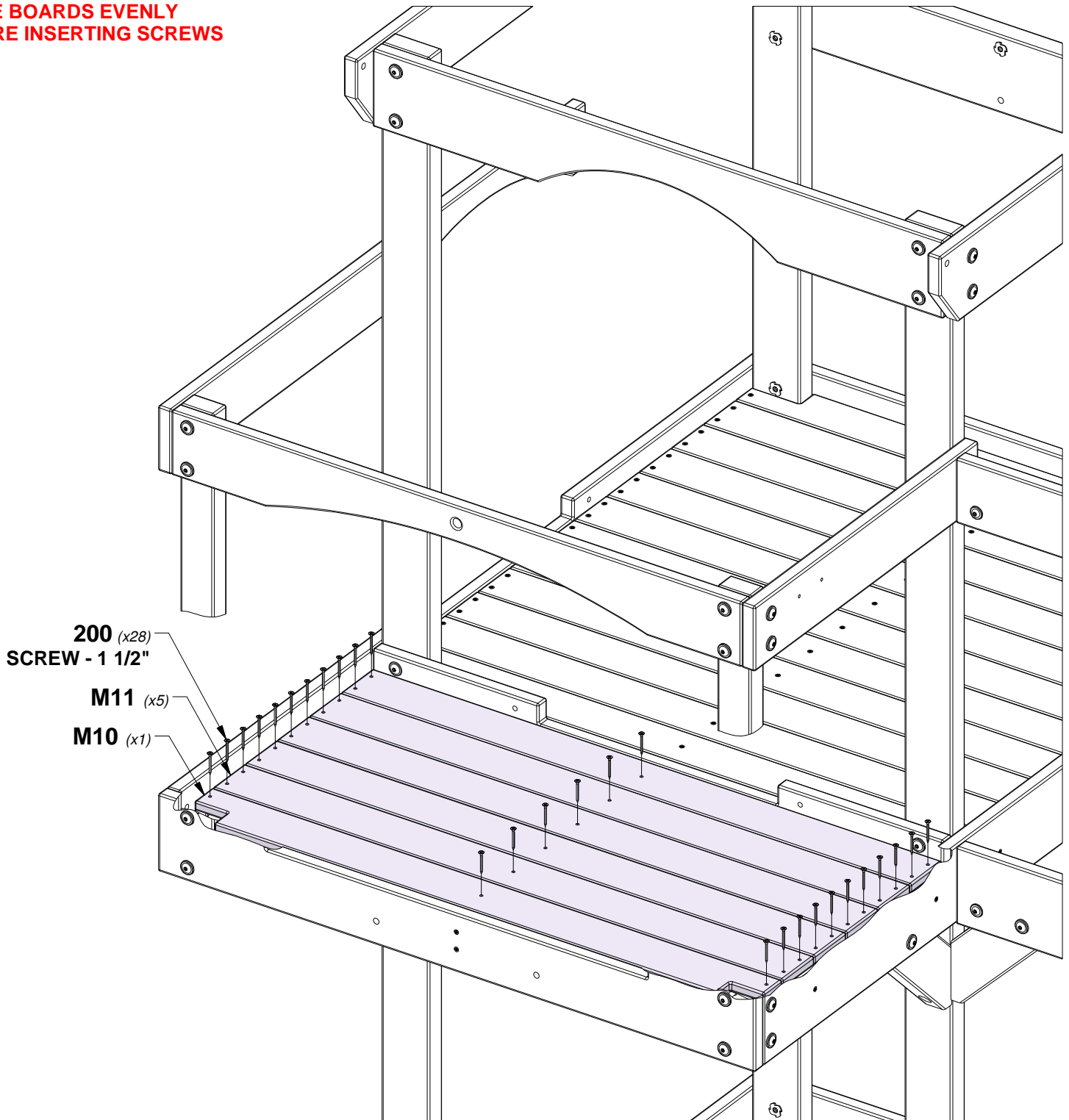


M10 FLOOR BOARD - W4L18513
(x1) 5/8"x3 3/8"x40 5/8" (16x86x1031)



M11 FLOOR BOARD - W4L18522
(x5) 5/8"x3 3/8"x40 5/8" (16x86x1031)

TIP:
PLACE BOARDS EVENLY
BEFORE INSERTING SCREWS

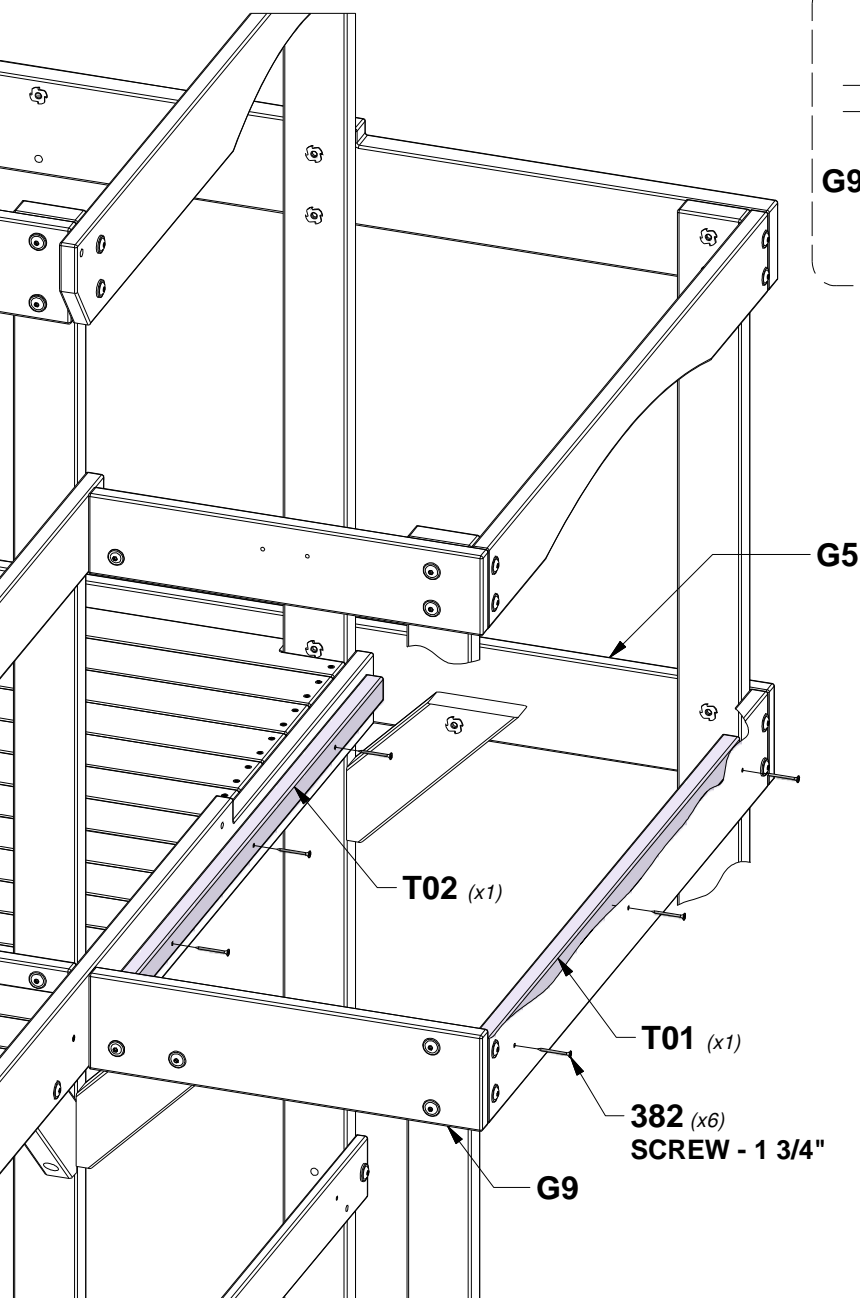
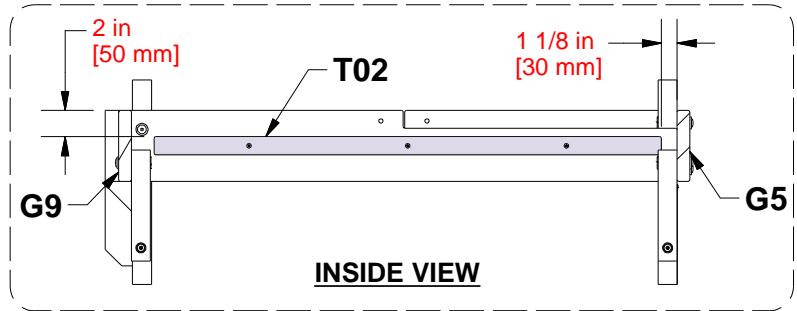
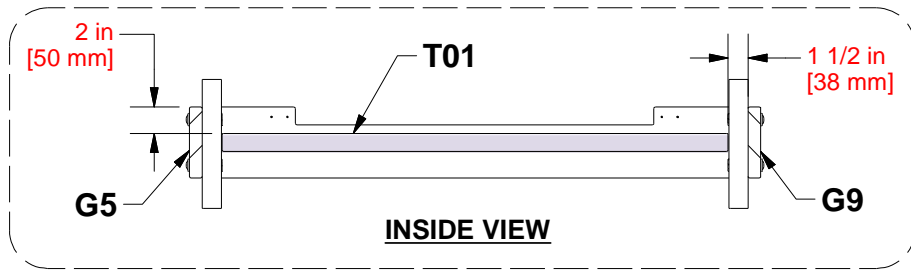


STEP 18 - FORT ASSEMBLY

| QTY | PART NUMBER | DESCRIPTION |
|-----|-------------|-----------------------|
| 6 | H100382 | SCREW PFH 8x1 3/4 BLK |

T01 SUPPORT BOARD - W4L18507
 (x1) 1"x1 3/8"x37 5/8" (24x34x957)

T02 SUPPORT BOARD - W4L18508
 (x1) 1"x1 3/8"x37 3/4" (24x34x959)



STEP 19 - FORT ASSEMBLY

| QTY | PART NUMBER | DESCRIPTION |
|-----|-------------|-----------------------|
| 44 | H100200 | SCREW PFH 8x1-1/2 BLK |



M08 FLOOR BOARD - W4L18526
(x1) 5/8"x3 1/4"x19 7/8" (16x82x504)

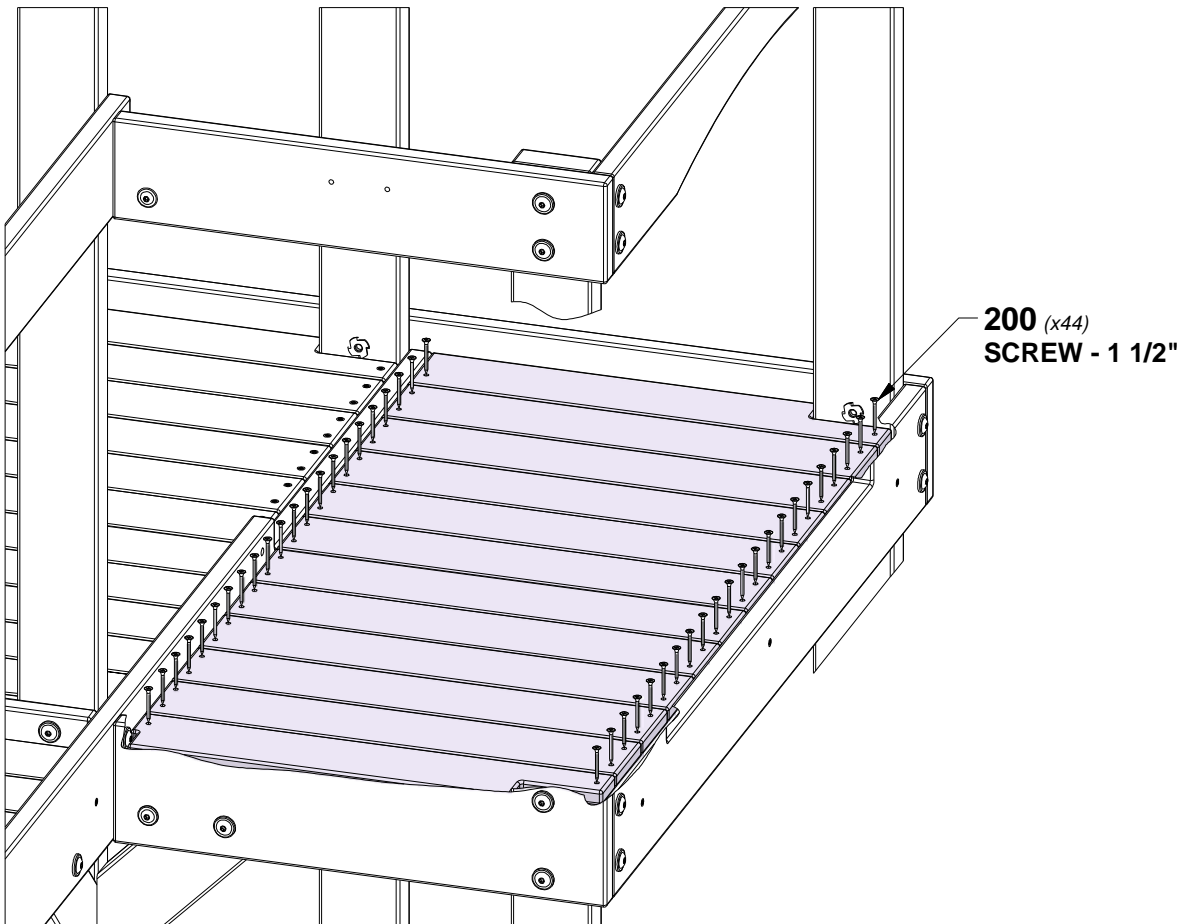
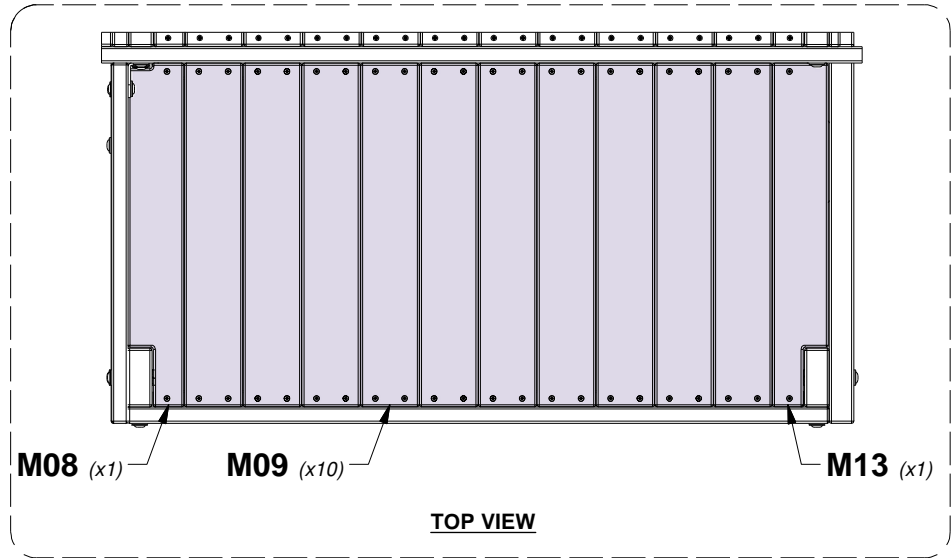


M09 FLOOR BOARD - W4L18521
(x10) 5/8"x3 3/8"x19 7/8" (16x86x504)



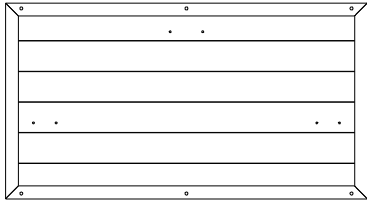
M13 FLOOR BOARD - W4L18525
(x1) 5/8"x3 1/4"x19 7/8" (16x82x504)

TIP:
PLACE BOARDS EVENLY
BEFORE INSERTING SCREWS

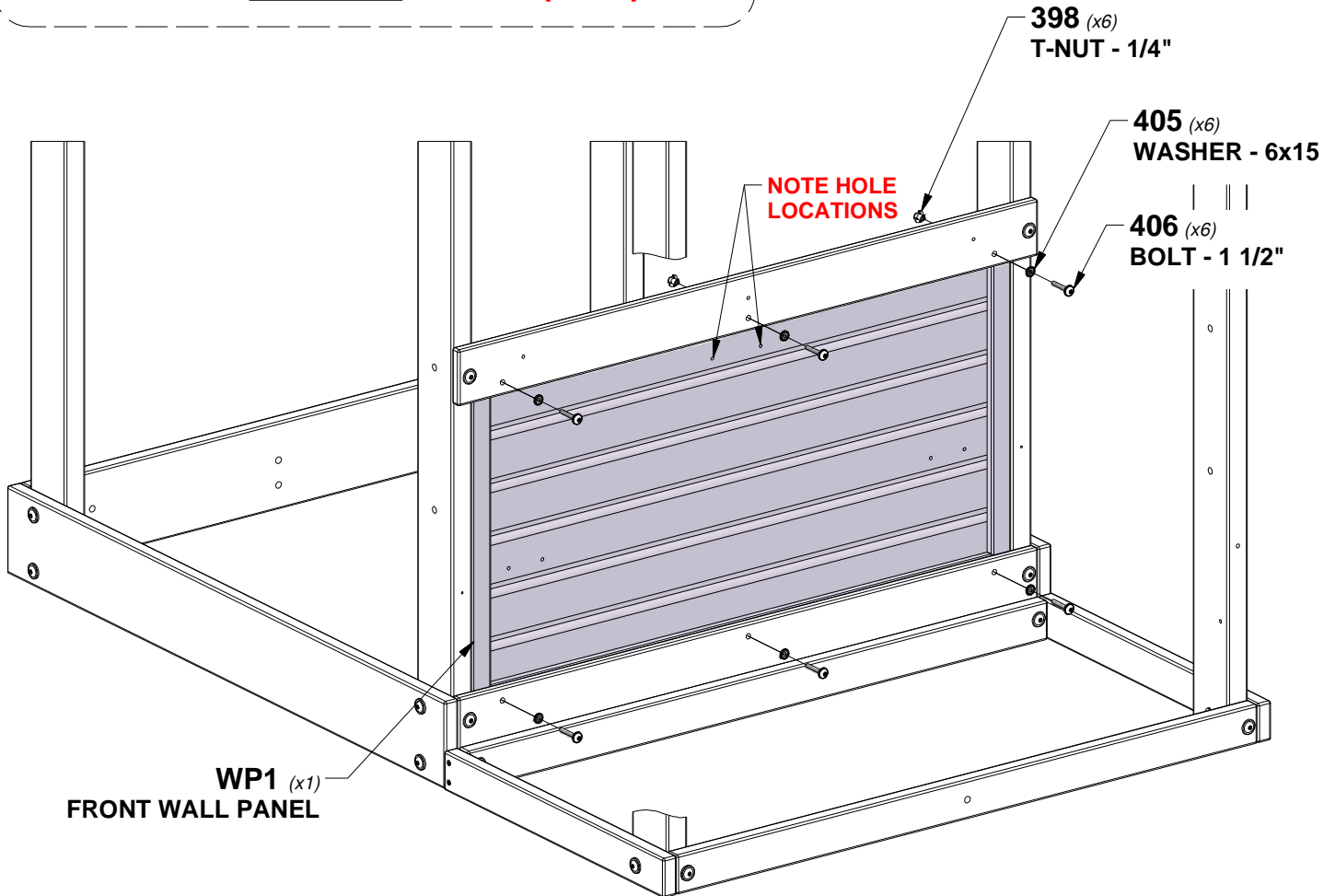
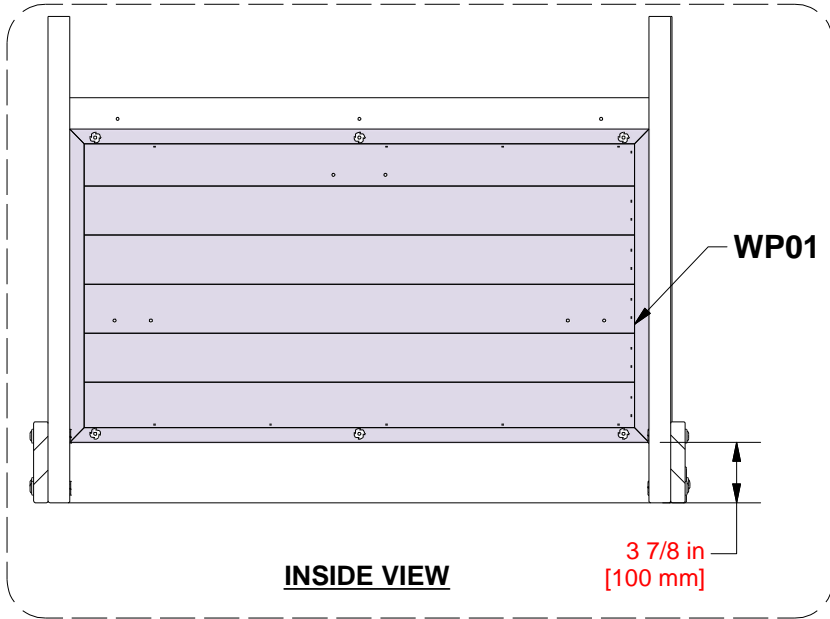


STEP 20 - FORT ASSEMBLY

| QTY | PART NUMBER | DESCRIPTION |
|-----|-------------|--------------------------|
| 6 | H100398 | T-NUT 1/4 BLK |
| 6 | H100405 | WASHER LOCK EXT 6x15 BLK |
| 6 | H100406 | BOLT WH 1/4x1 1/2 BLK |



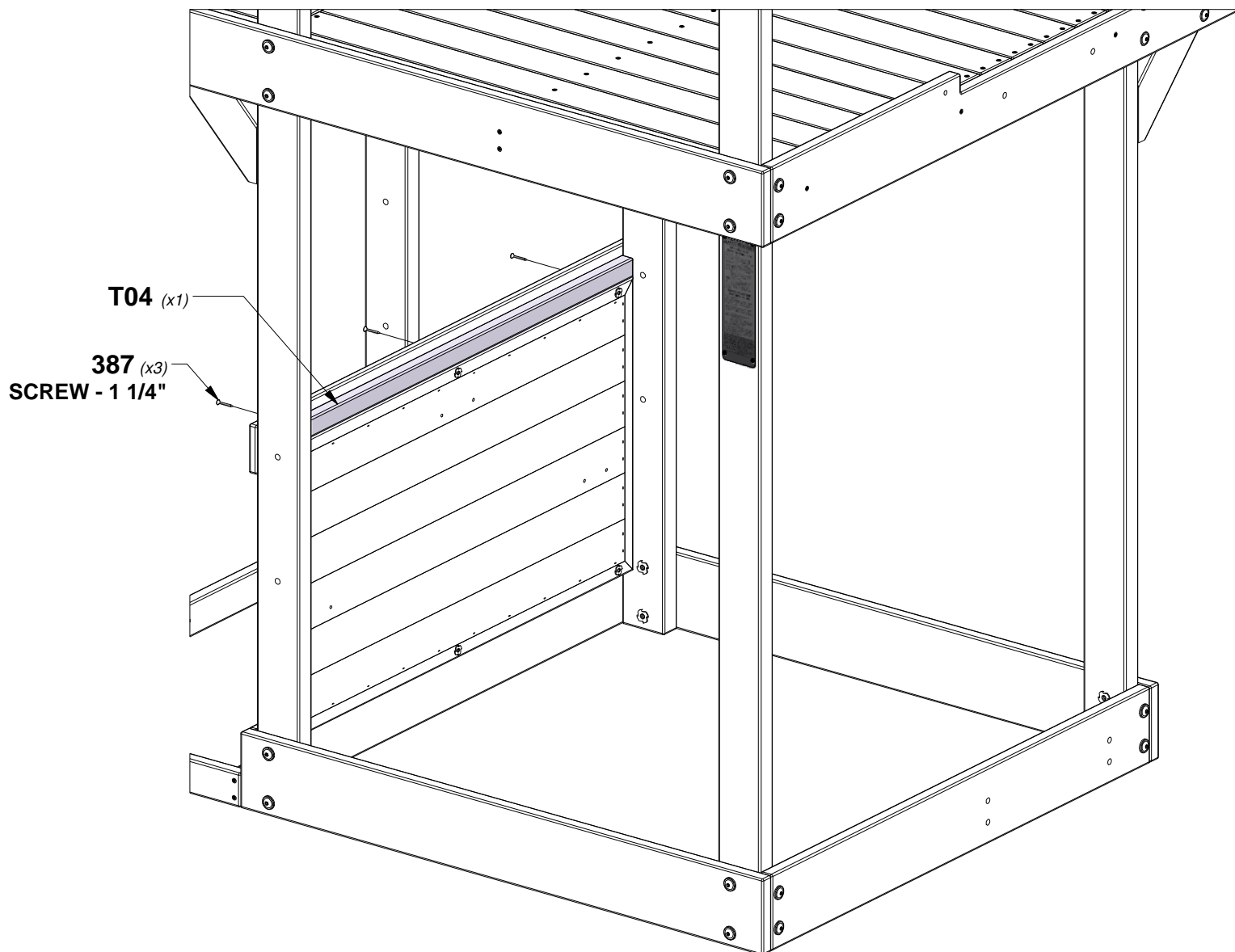
WP01 WALL PANEL - W2A03778
 (x1) 1"x20 3/8"x37 3/4" (24x517x958)



STEP 21 - FORT ASSEMBLY

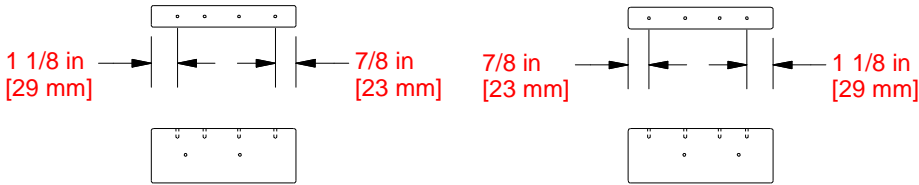
| QTY | PART NUMBER | DESCRIPTION |
|-----|-------------|-----------------------|
| 3 | H100387 | SCREW PFH 8x1-1/4 BLK |

T04 SUPPORT BOARD - W4L18515
(x1) 1"x1 3/8"x37 3/4" (24x34x958)



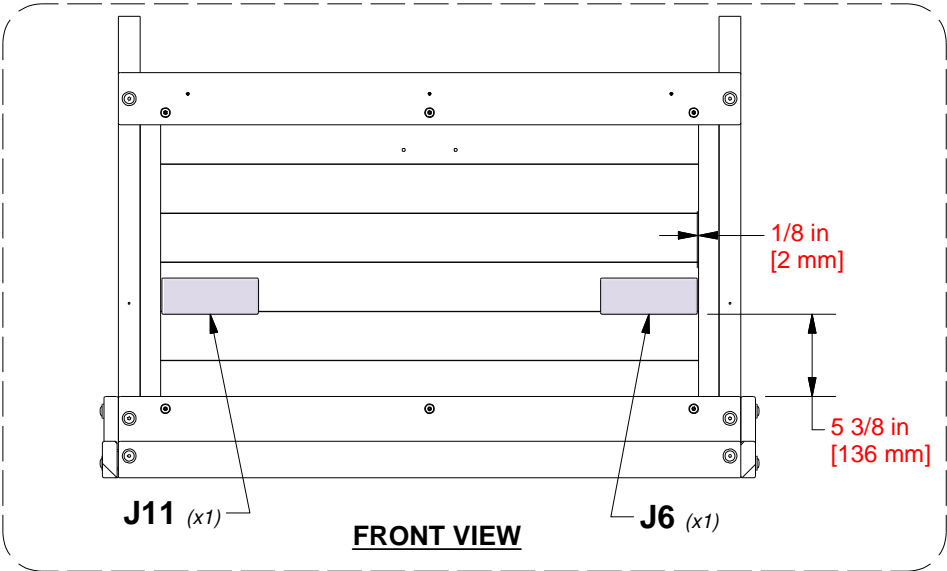
STEP 22 - FORT ASSEMBLY

| QTY | PART NUMBER | DESCRIPTION |
|-----|-------------|-----------------------|
| 4 | H100387 | SCREW PFH 8x1-1/4 BLK |

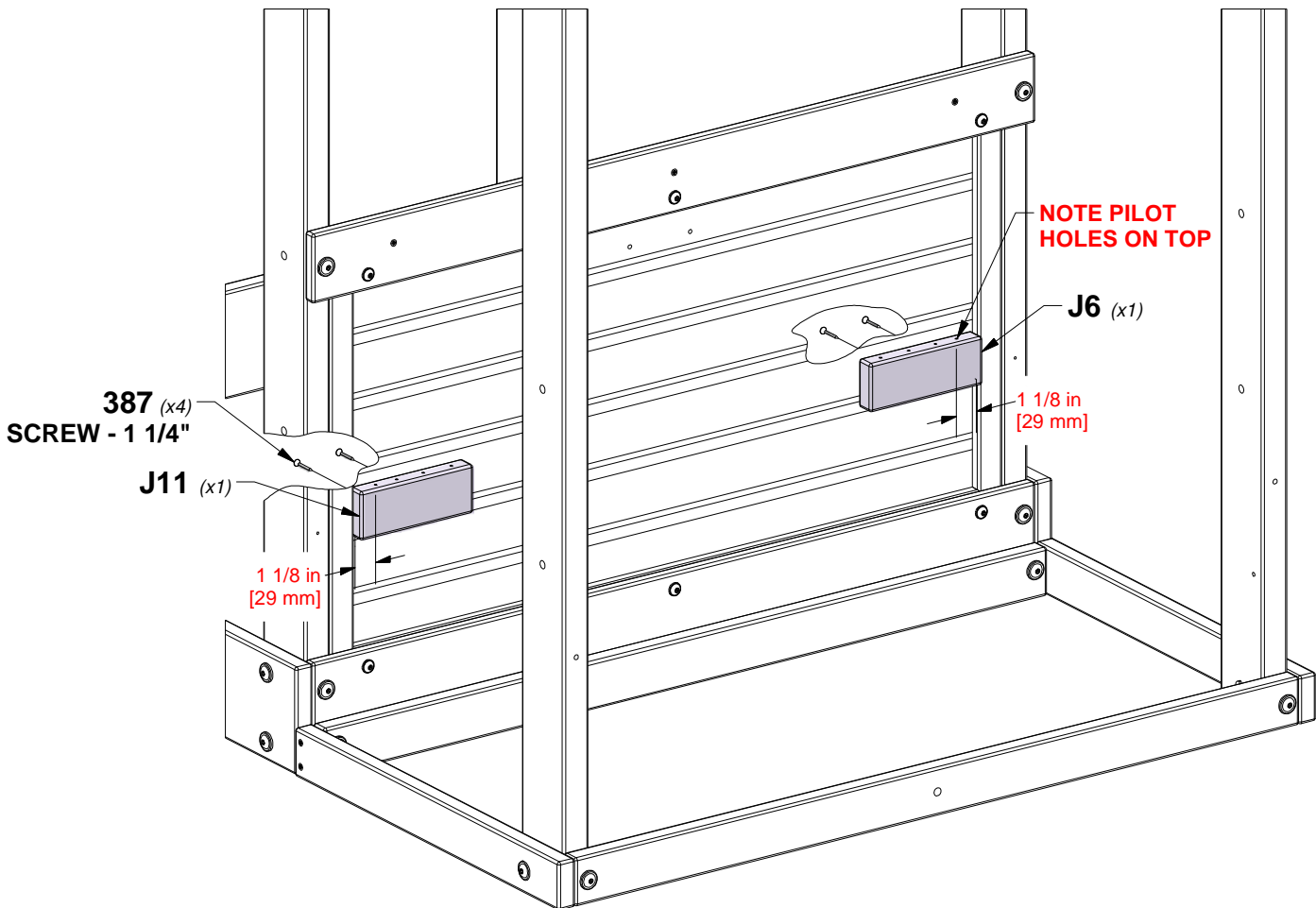


J6 SUPPORT BLOCK - W4L17817
 (x1) 1"x2 3/8"x6 1/4" (24x60x160)

J11 SUPPORT BLOCK - W4L17818
 (x1) 1"x2 3/8"x6 1/4" (24x60x160)



TIP:
 ALIGN PILOT HOLES IN WALL PANEL TO
 PILOT HOLES IN (J) BOARDS.



STEP 23 - FORT ASSEMBLY

| QTY | PART NUMBER | DESCRIPTION |
|-----|-------------|--------------------------|
| 1 | H100195 | BOLT WH 5/16x2-3/4 BLK |
| 1 | H100198 | WASHER LOCK EXT 8x19 BLK |
| 1 | H100379 | T-NUT 5/16 BLK |

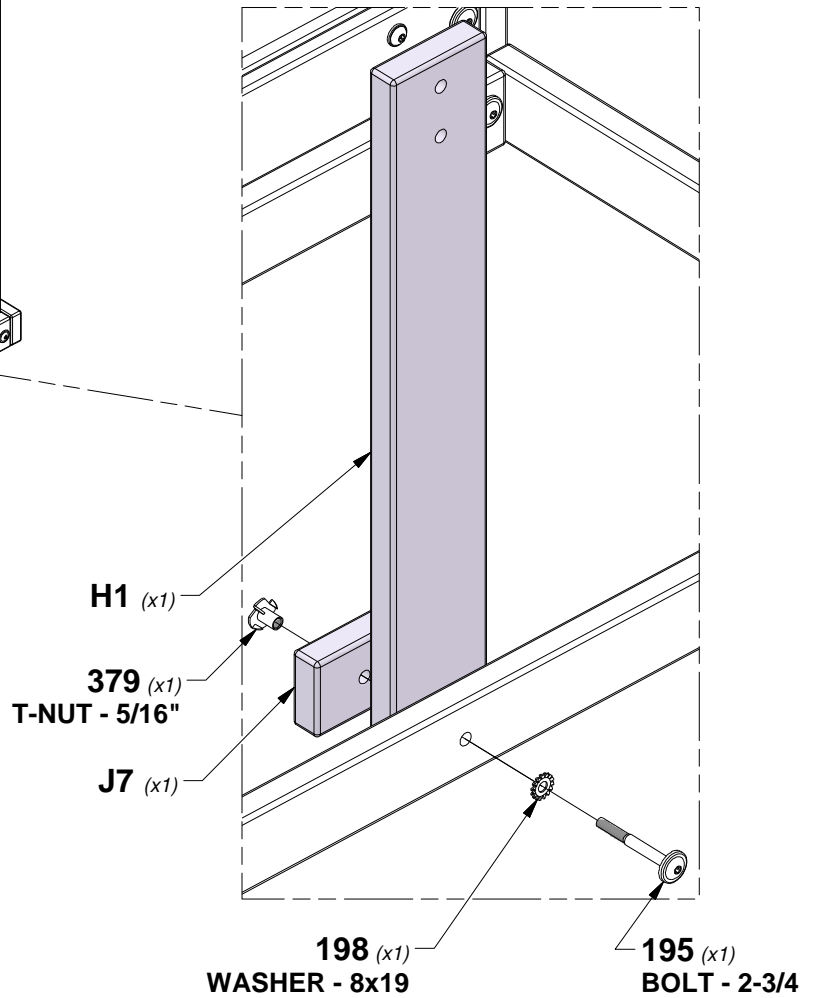
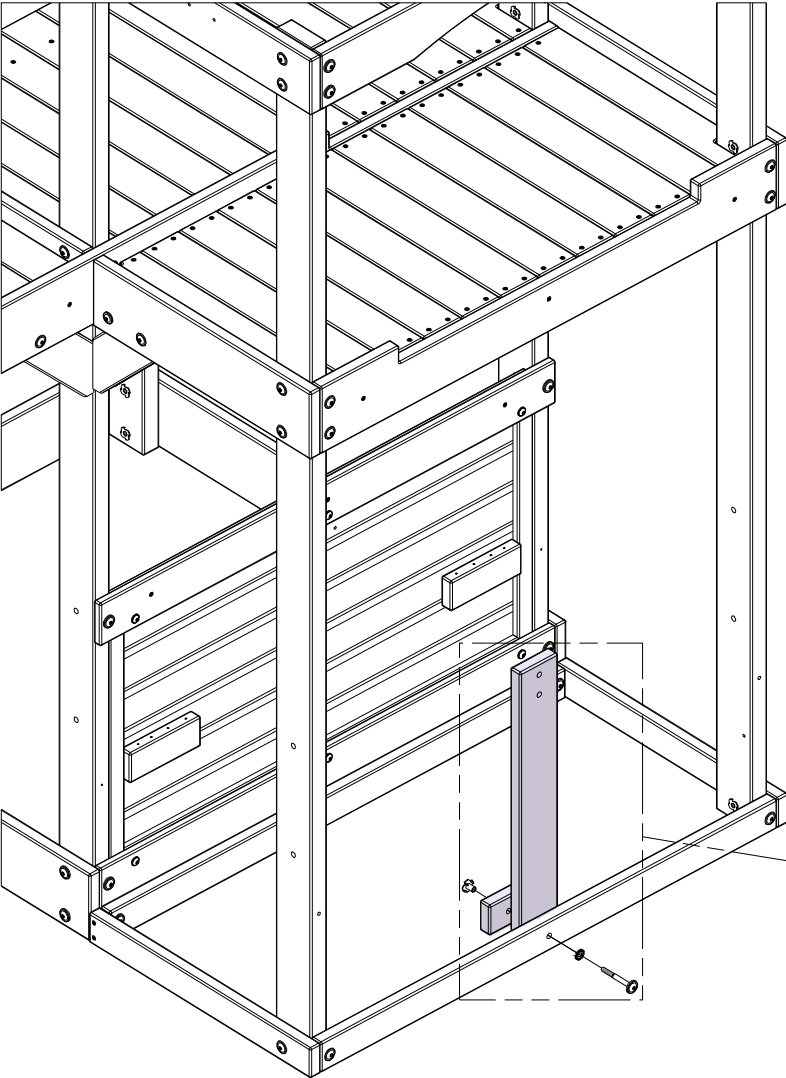


H1 TABLE SUPPORT - W4L11147
(x1) 1"x3 3/8"x22 3/8" (24x86x567)



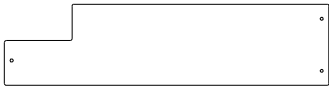
J7 SUPPORT BLOCK - W4L11158
(x1) 1"x2 3/8"x3 3/8" (24x60x86)

TIP:
INSTALL T-NUTS IN WOOD FIRST



STEP 24 - FORT ASSEMBLY

| QTY | PART NUMBER | DESCRIPTION |
|-----|-------------|-----------------------|
| 42 | H100200 | SCREW PFH 8x1-1/2 BLK |



K17 FLOOR BOARD - W4L18523
(x2) 5/8"x5 1/4"x21 1/8" (16x134x537)

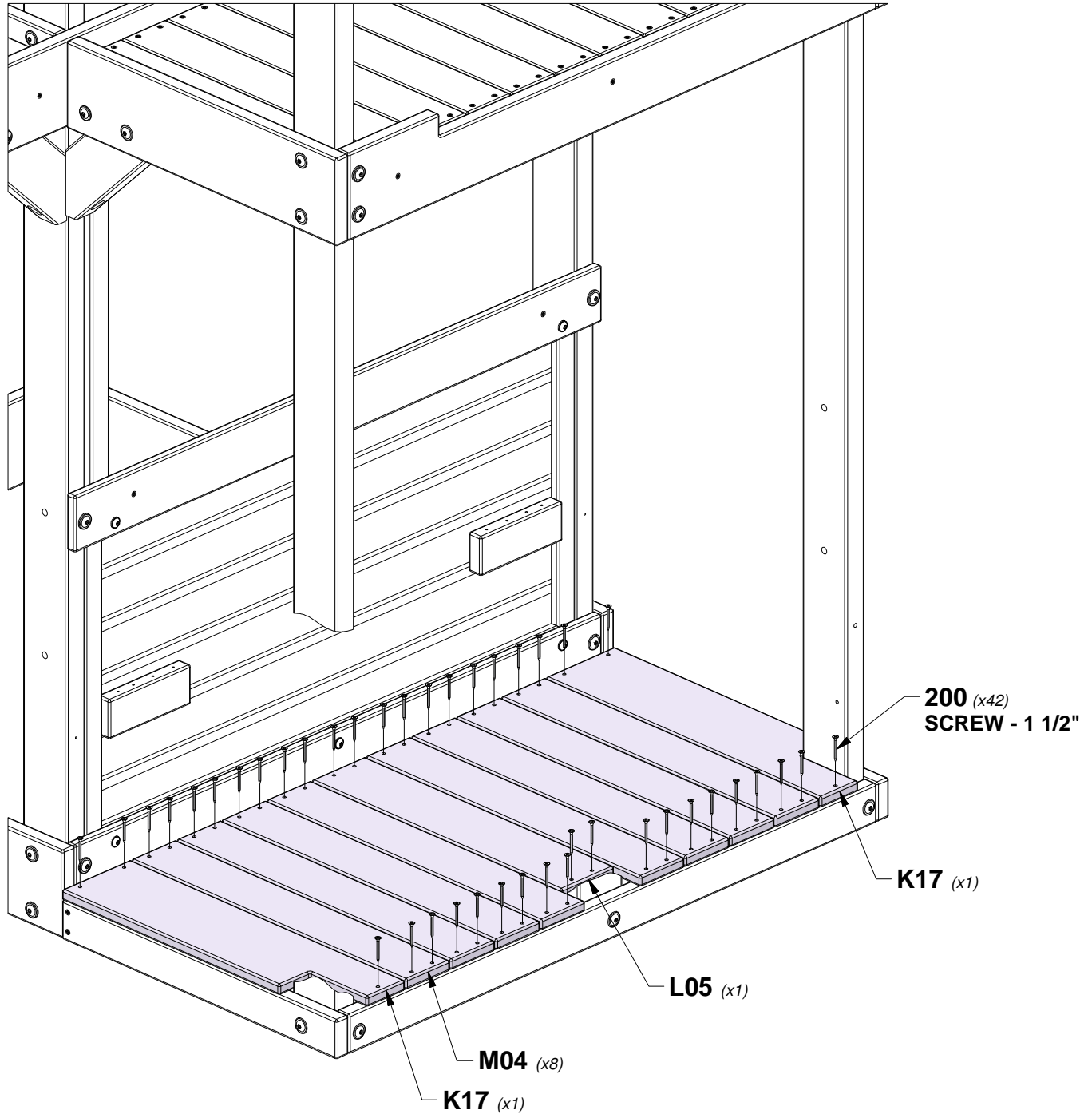


L05 FLOOR BOARD - W4L18524
(x1) 5/8"x4 1/8"x19 1/4" (16x104x488)



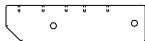
M04 FLOOR BOARD - W4L18506
(x8) 5/8"x3 3/8"x21 1/8" (16x86x537)

TIP:
PLACE BOARDS EVENLY
BEFORE INSERTING SCREWS



STEP 25 - FORT ASSEMBLY

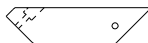
| QTY | PART NUMBER | DESCRIPTION |
|-----|-------------|--------------------------|
| 4 | H100198 | WASHER LOCK EXT 8x19 BLK |
| 2 | H100205 | BOLT WH 5/16x2-1/4 BLK |
| 2 | H100379 | T-NUT 5/16 BLK |
| 4 | H100382 | SCREW PFH 8x1 3/4 BLK |
| 2 | H100405 | WASHER LOCK EXT 6x15 BLK |
| 2 | H100458 | LAG SCREW WH 5/16x2 BLK |
| 2 | H100487 | LAG SCREW WH 1/4x2 BLK |



J3 BENCH SUPPORT - W4L18017
(x2) 1"x2 3/8"x9" (24x60x230)

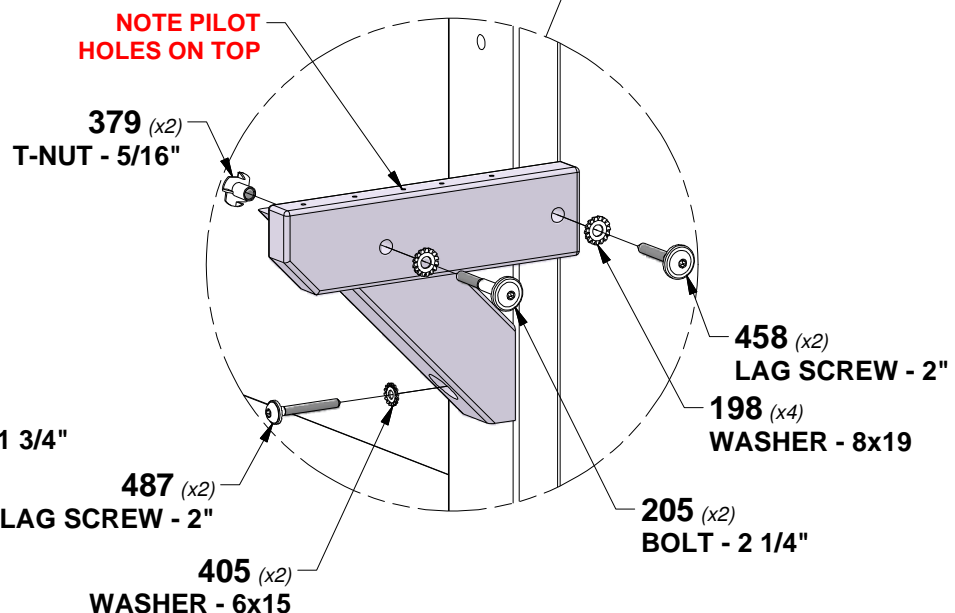
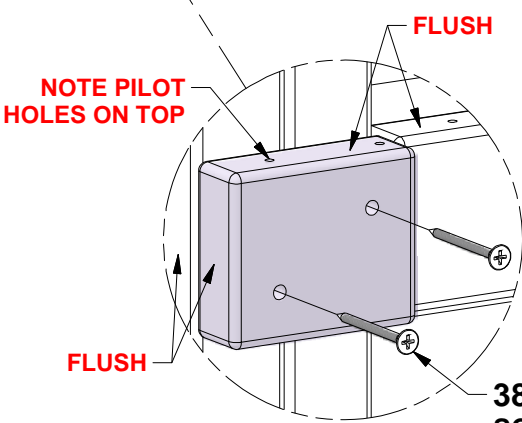
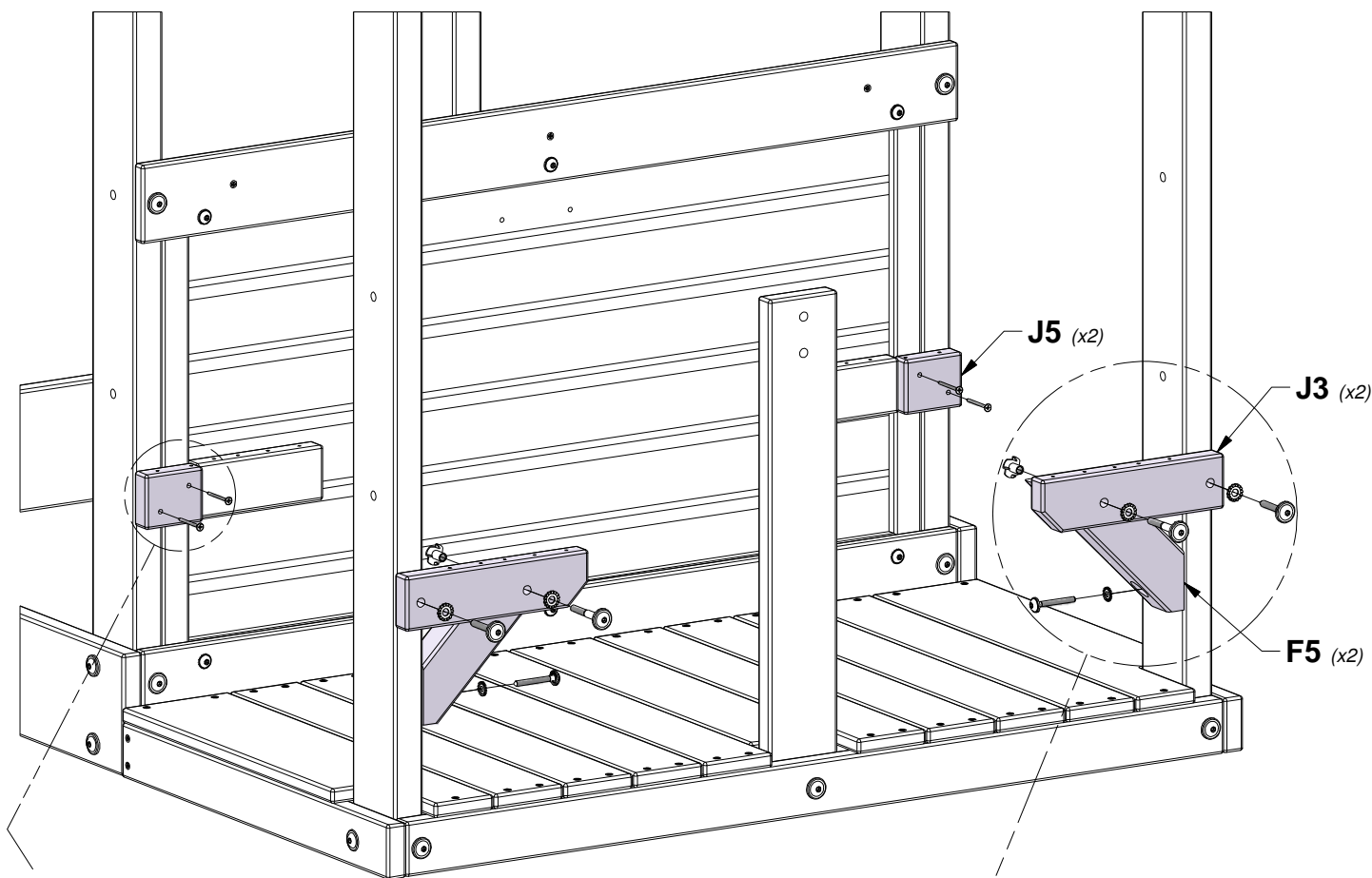


J5 SUPPORT BLOCK - W4L18022
(x2) 1"x2 3/8"x2 7/8" (24x60x72)



F5 ANGLE BRACE - W4L17822
(x2) 1 3/8"x2 3/8"x9 1/2" (36x60x240)

TIP:
INSTALL T-NUTS IN WOOD FIRST



STEP 26 - FORT ASSEMBLY

| QTY | PART NUMBER | DESCRIPTION |
|-----|-------------|-----------------------|
| 22 | H100382 | SCREW PFH 8x1 3/4 BLK |



H06 BENCH BOARD - W4L18518
(x2) 1"x3 3/8"x23" (24x86x583)

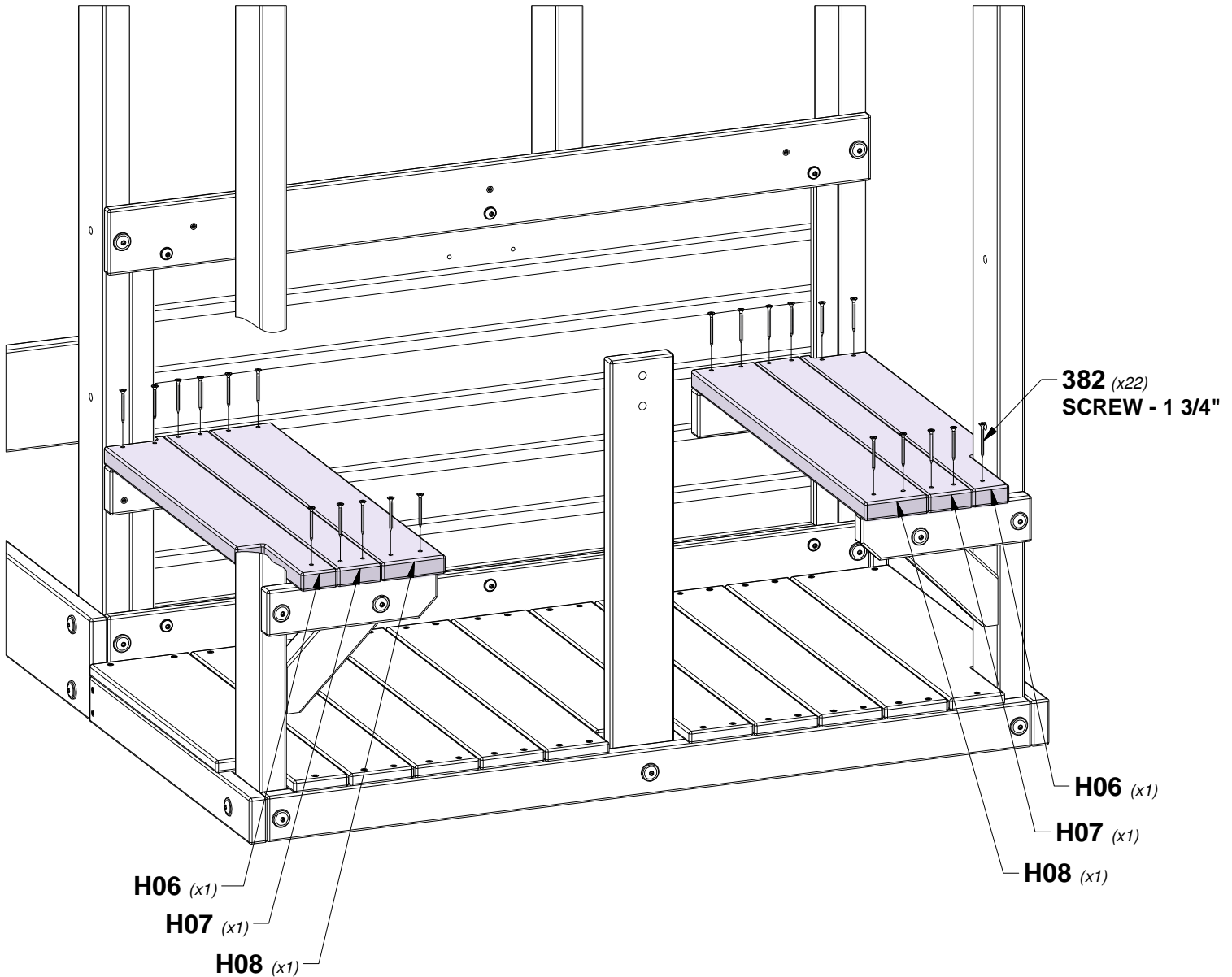


H07 BENCH BOARD - W4L18519
(x2) 1"x2 3/8"x23" (24x60x583)



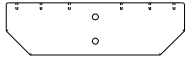
H08 BENCH BOARD - W4L18520
(x2) 1"x3 3/8"x23" (24x86x583)

TIP:
ALIGN PILOT HOLES BEFORE INSERTING SCREWS

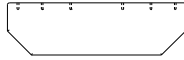


STEP 27 - FORT ASSEMBLY

| QTY | PART NUMBER | DESCRIPTION |
|-----|-------------|--------------------------|
| 12 | H100200 | SCREW PFH 8x1-1/2 BLK |
| 2 | H100387 | SCREW PFH 8x1-1/4 BLK |
| 2 | H100198 | WASHER LOCK EXT 8x19 BLK |
| 2 | H100378 | BOLT WH 5/16x1 3/4 BLK |
| 2 | H100379 | T-NUT 5/16 BLK |



H2 TABLE SUPPORT - W4L18018
(x1) 1"x3 3/8"x11 5/8" (24x86x295)



H3 TABLE SUPPORT - W4L18021
(x1) 1"x3 3/8"x11 5/8" (24x86x295)

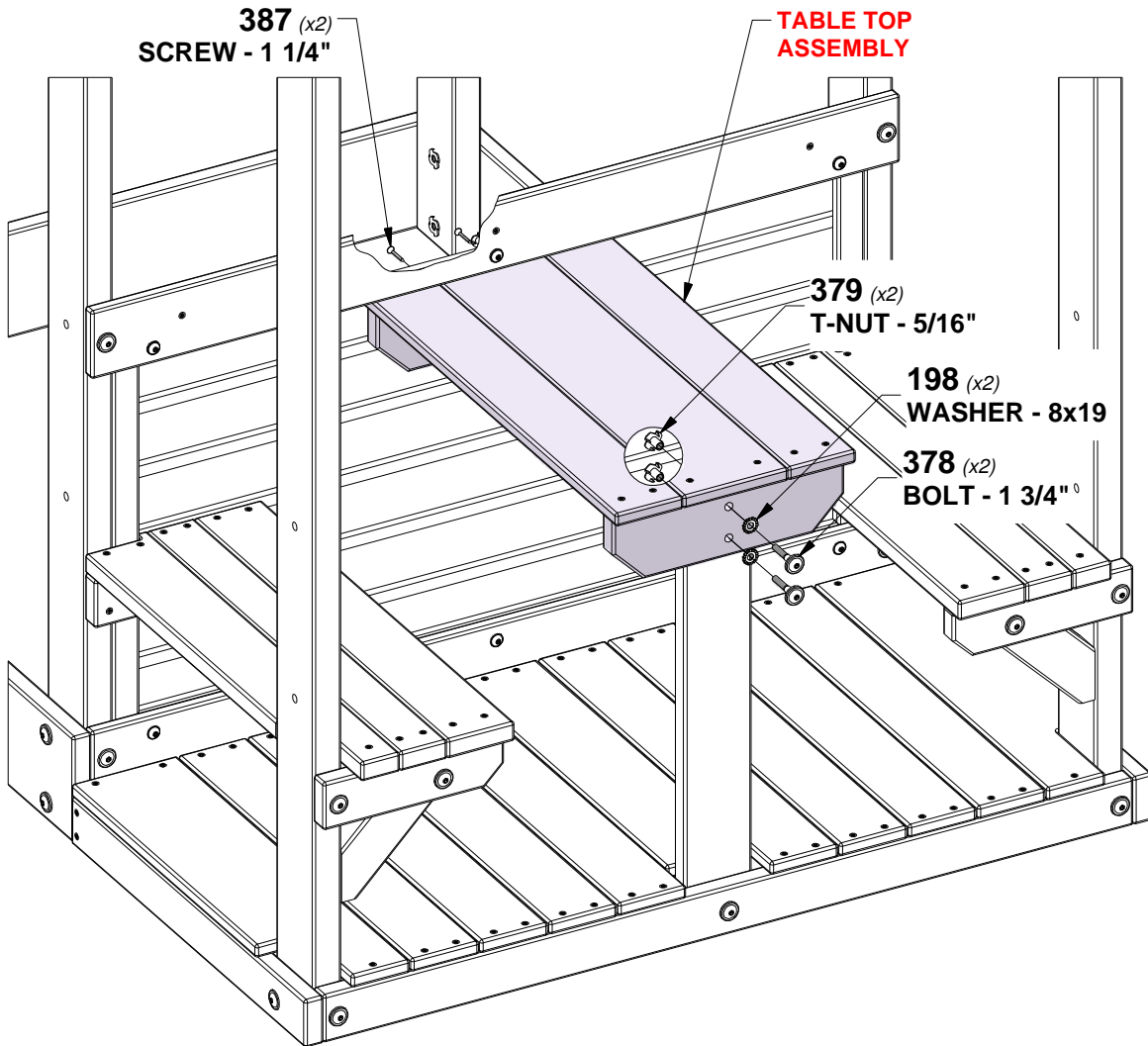
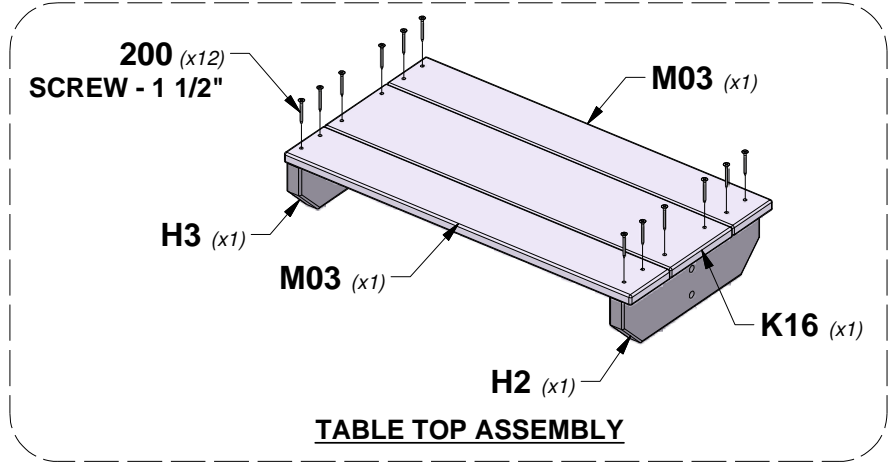


K16 TABLE BOARD - W4L18530
(x1) 5/8"x5 1/4"x23" (16x134x583)



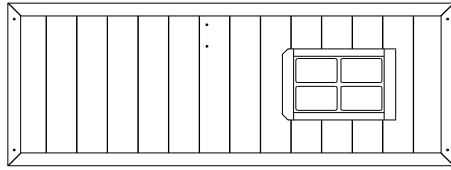
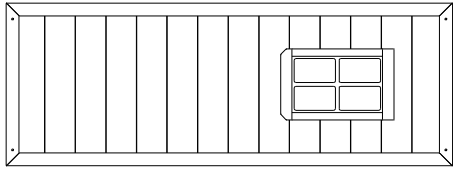
M03 BENCH BOARD - W4L18529
(x2) 5/8"x3 3/8"x23" (16x86x583)

TIP:
INSTALL T-NUTS IN WOOD FIRST.
ALIGN PILOT HOLES.



STEP 28 - FORT ASSEMBLY

| QTY | PART NUMBER | DESCRIPTION |
|-----|-------------|-----------------------|
| 8 | H100382 | SCREW PFH 8x1 3/4 BLK |

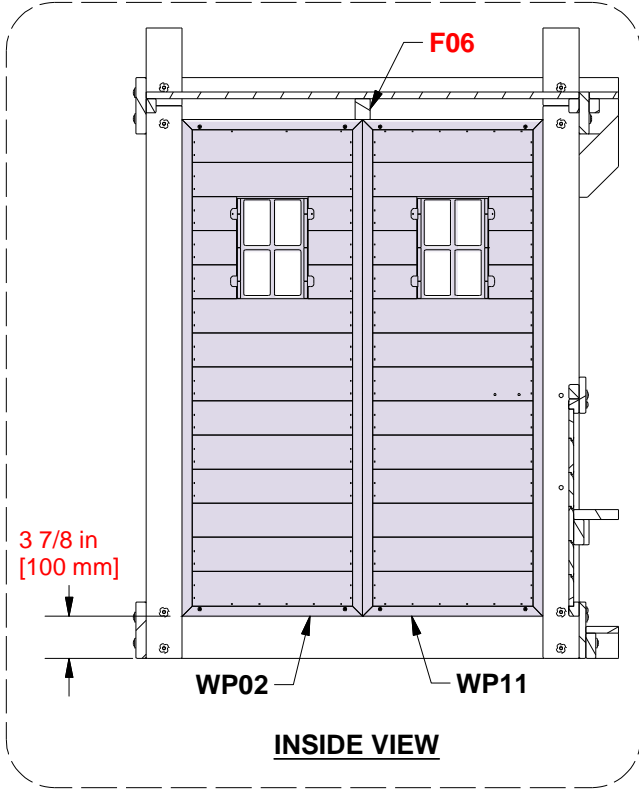


WP02 WALL PANEL - W2A03779

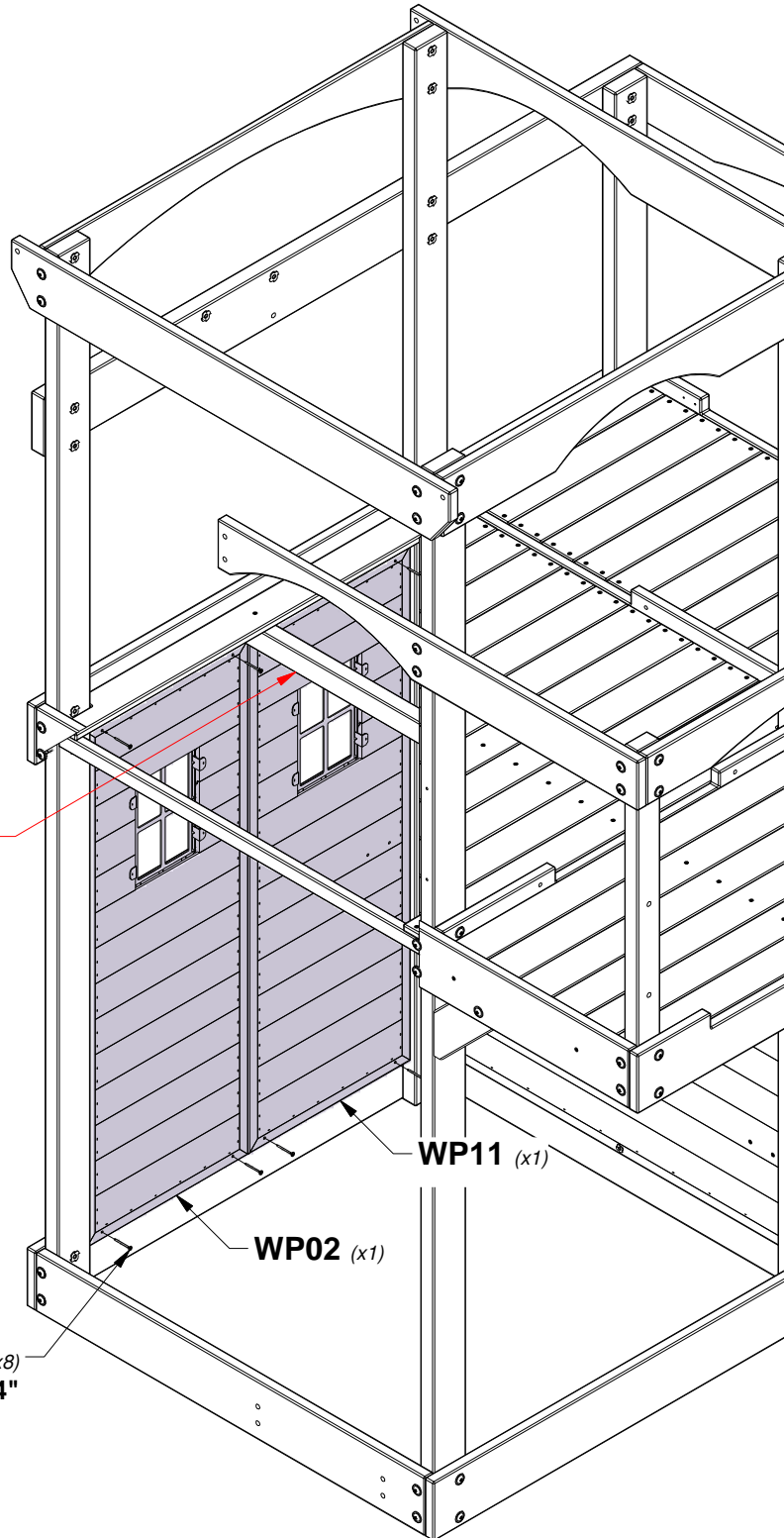
(x1) 1"x16 7/8"x46 1/2" (24x430x1181)

WP11 WALL PANEL - W2A03788

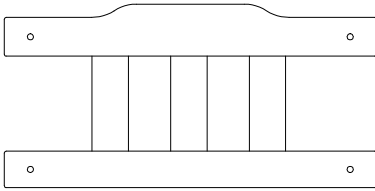
(x1) 1"x16 7/8"x46 1/2" (24x430x1181)



FLUSH TOP OF PANELS TO BOTTOM OF (F06)



STEP 29 - FORT ASSEMBLY

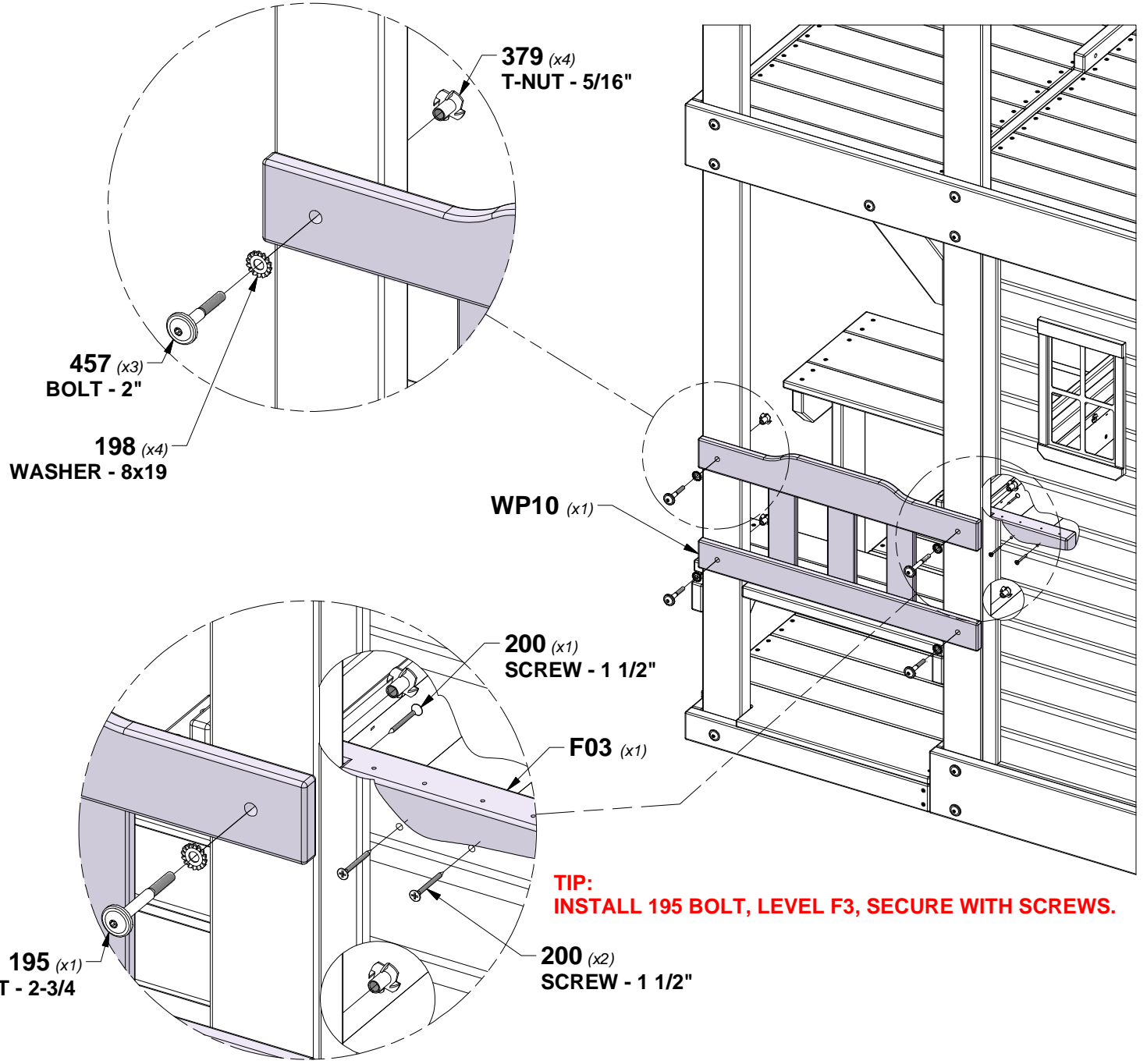


F03 SUPPORT BLOCK - W4L18516
 (x1) 1 3/8"x2 3/8"x9 1/4" (36x60x234)

WP10 BENCH BACK ASSEMBLY - W2A037777
 (x1) 1 1/8"x11 7/8"x24 1/4" (27x303x615)

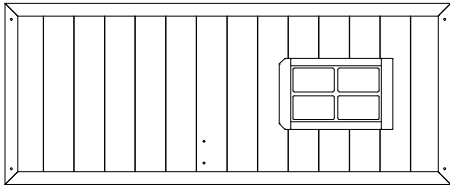
| QTY | PART NUMBER | DESCRIPTION |
|-----|-------------|--------------------------|
| 1 | H100195 | BOLT WH 5/16x2-3/4 BLK |
| 4 | H100198 | WASHER LOCK EXT 8x19 BLK |
| 3 | H100200 | SCREW PFH 8x1-1/2 BLK |
| 4 | H100379 | T-NUT 5/16 BLK |
| 3 | H100457 | BOLT WH 5/16x2 BLK |

TIP:
INSTALL T-NUTS IN WOOD FIRST

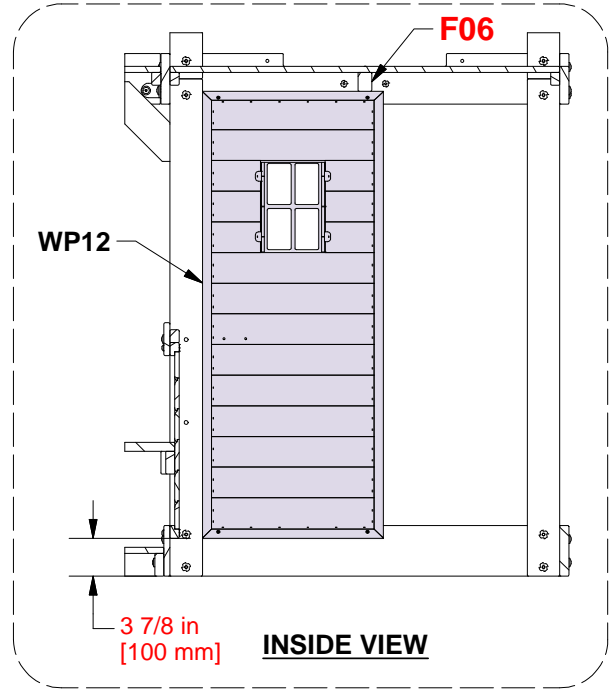
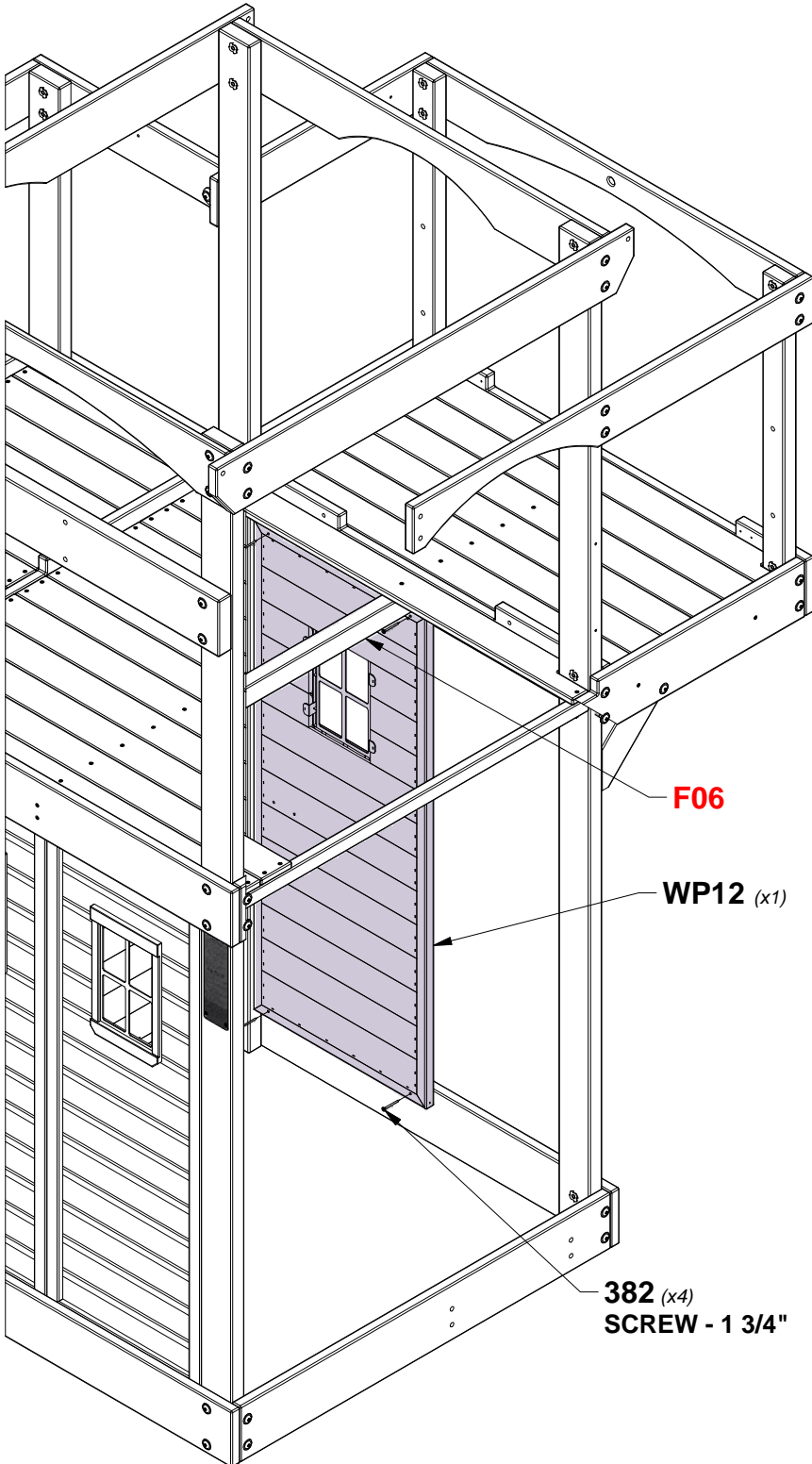


STEP 30 - FORT ASSEMBLY

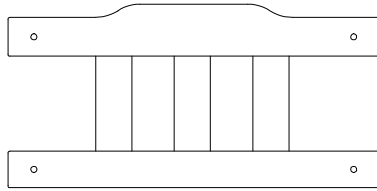
| QTY | PART NUMBER | DESCRIPTION |
|-----|-------------|-----------------------|
| 4 | H100382 | SCREW PFH 8x1 3/4 BLK |



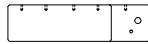
WP12 WALL PANEL - W2A03789
 (x1) 1"x16 7/8"x46 1/2" (24x479x1181)



STEP 31 - FORT ASSEMBLY



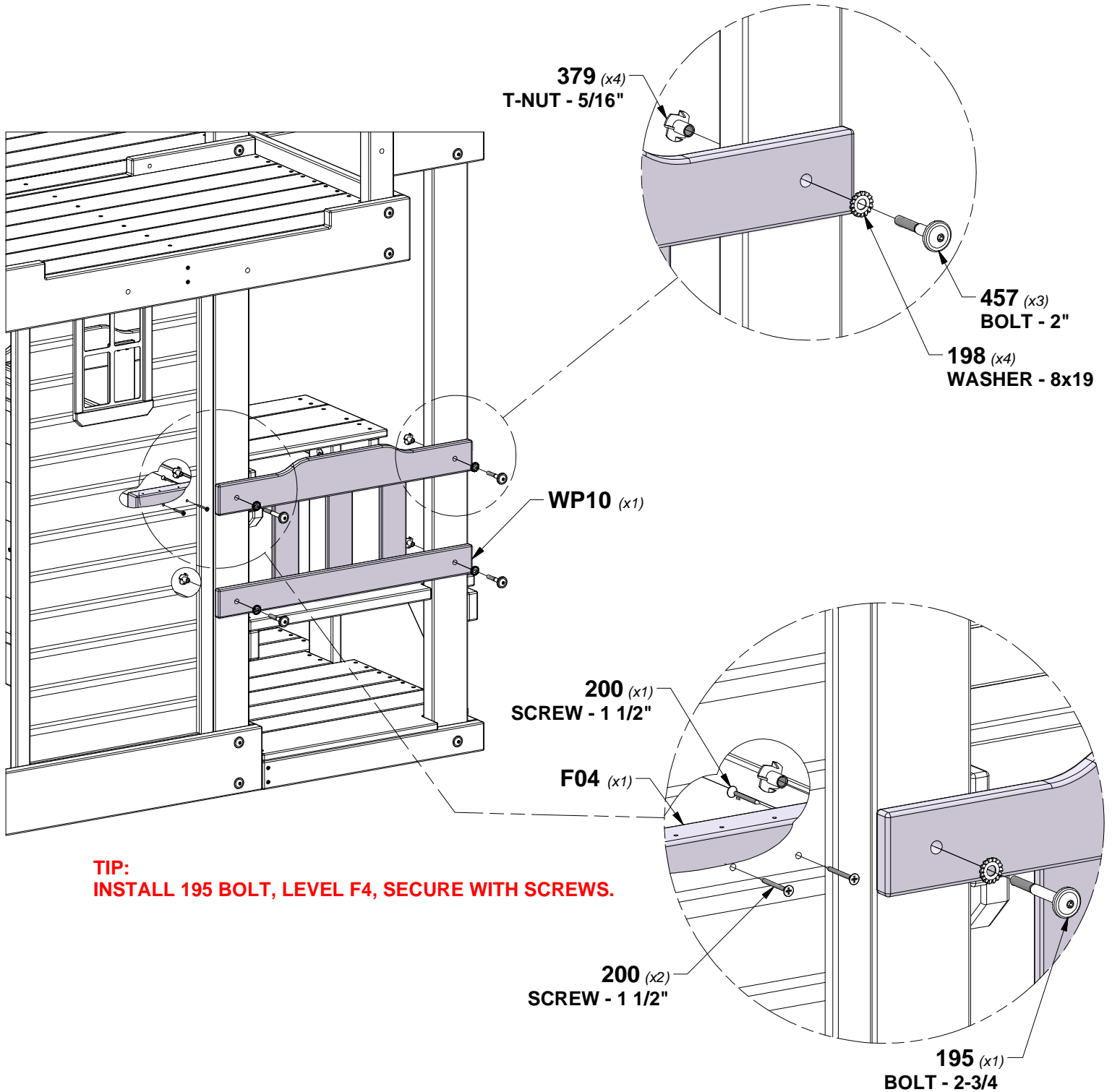
F04 SUPPORT BLOCK - W4L18517
 (x1) 1 3/8"x2 3/8"x9 1/4" (36x60x234)



| QTY | PART NUMBER | DESCRIPTION |
|-----|-------------|--------------------------|
| 1 | H100195 | BOLT WH 5/16x2-3/4 BLK |
| 4 | H100198 | WASHER LOCK EXT 8x19 BLK |
| 3 | H100200 | SCREW PFH 8x1-1/2 BLK |
| 4 | H100379 | T-NUT 5/16 BLK |
| 3 | H100457 | BOLT WH 5/16x2 BLK |

WP10 BENCH BACK ASSEMBLY - W2A037777
 (x1) 1 1/8"x11 7/8"x24 1/4" (27x303x615)

TIP:
INSTALL T-NUTS IN WOOD FIRST



STEP 32 - FORT ASSEMBLY

| QTY | PART NUMBER | DESCRIPTION |
|-----|-------------|-----------------------|
| 14 | H100200 | SCREW PFH 8x1-1/2 BLK |

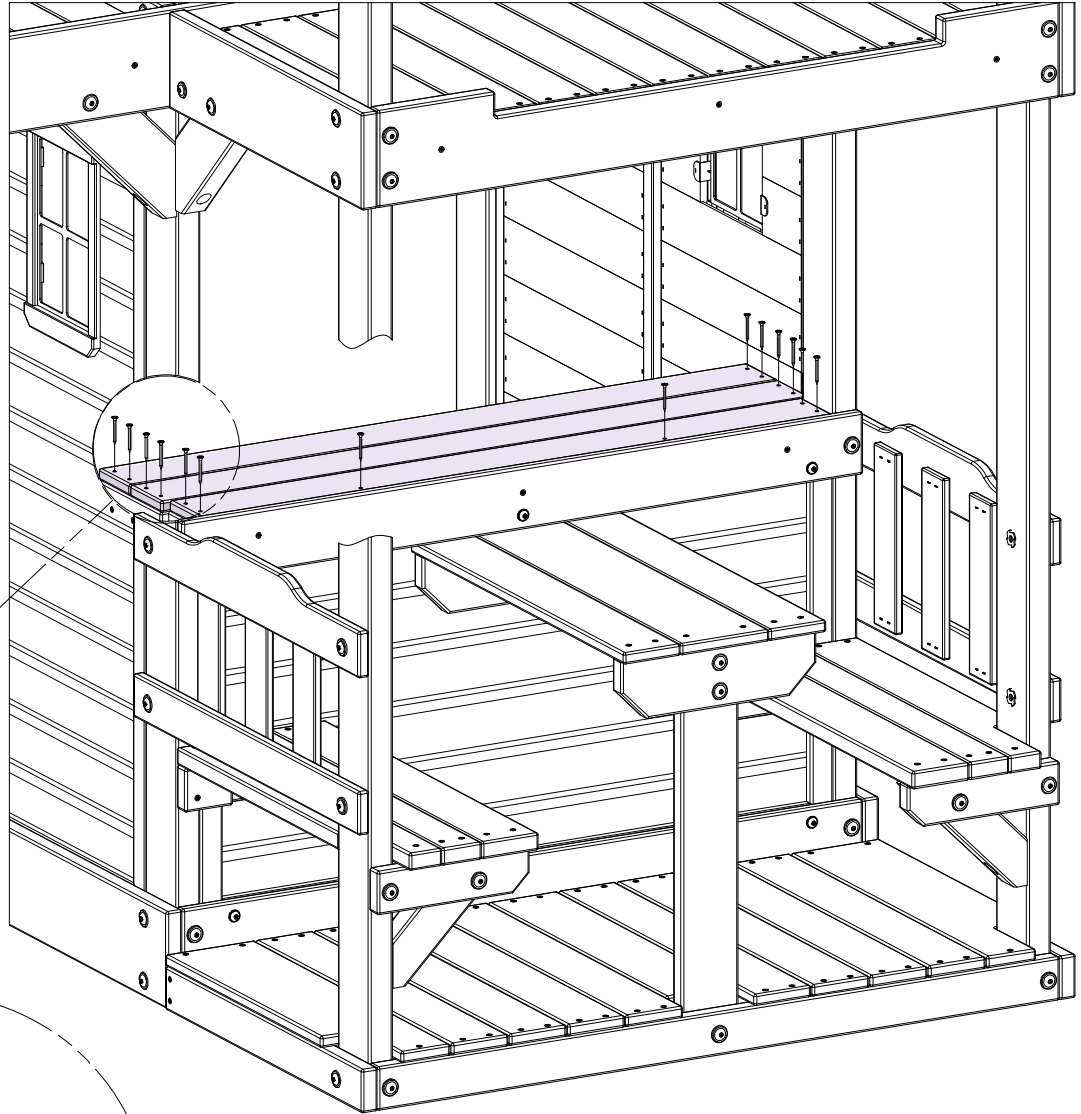


M06 COUNTER TOP - W4L18511
(x1) 5/8"x3 3/8"x37 5/8" (16x86x957)



M07 COUNTER TOP - W4L18512
(x2) 5/8"x3 3/8"x38 5/8" (16x86x981)

TIP:
ALIGN PILOT HOLES



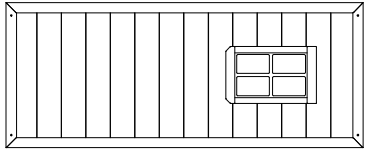
200 (x14)
SCREW - 1 1/2"

M07 (x2)

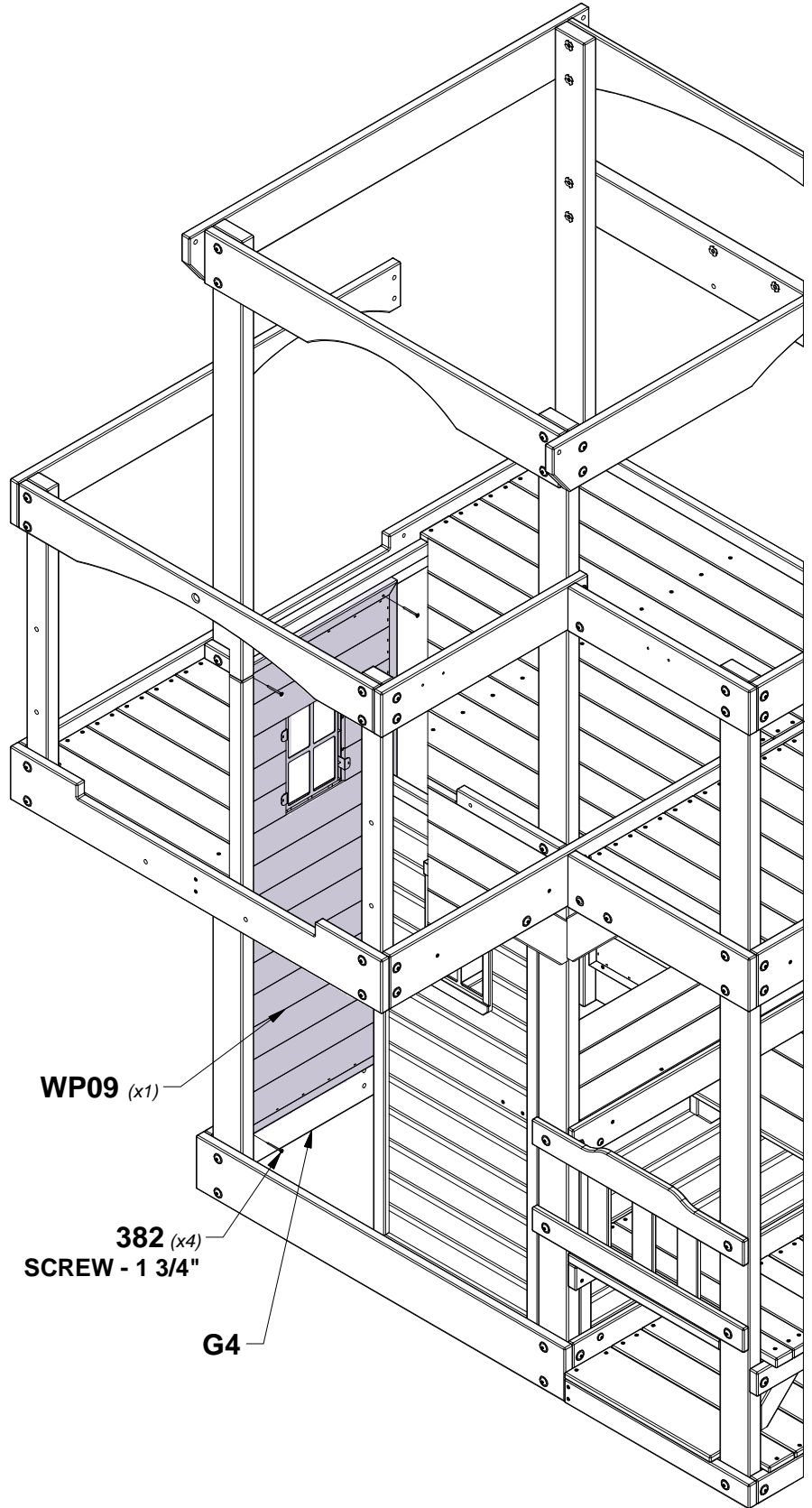
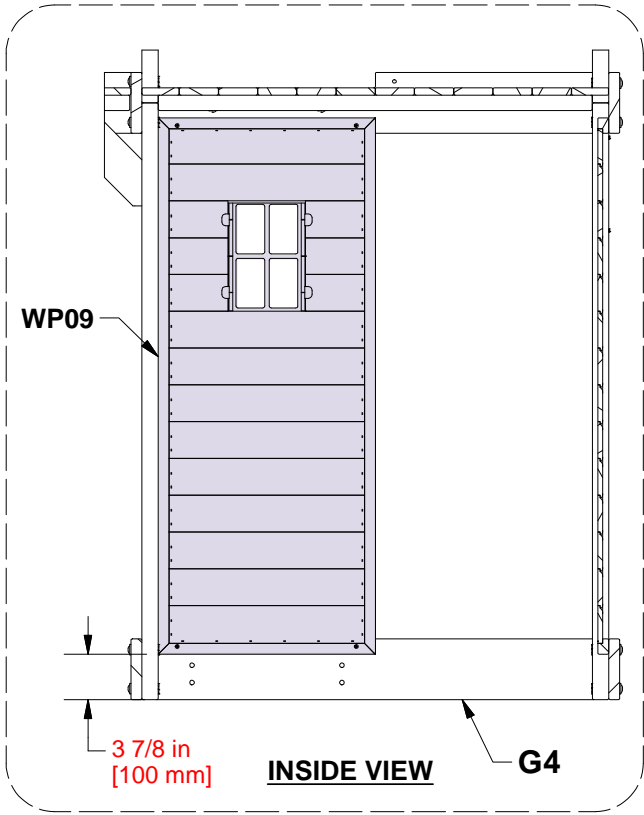
M06 (x1)

STEP 33 - FORT ASSEMBLY

| QTY | PART NUMBER | DESCRIPTION |
|-----|-------------|-----------------------|
| 4 | H100382 | SCREW PFH 8x1 3/4 BLK |

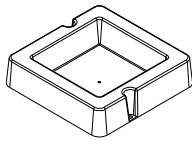
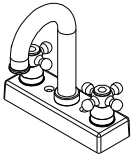


WP09 WALL PANEL - W2A03781
 (x1) 1"x16 7/8"x46 1/2" (24x479x1181)



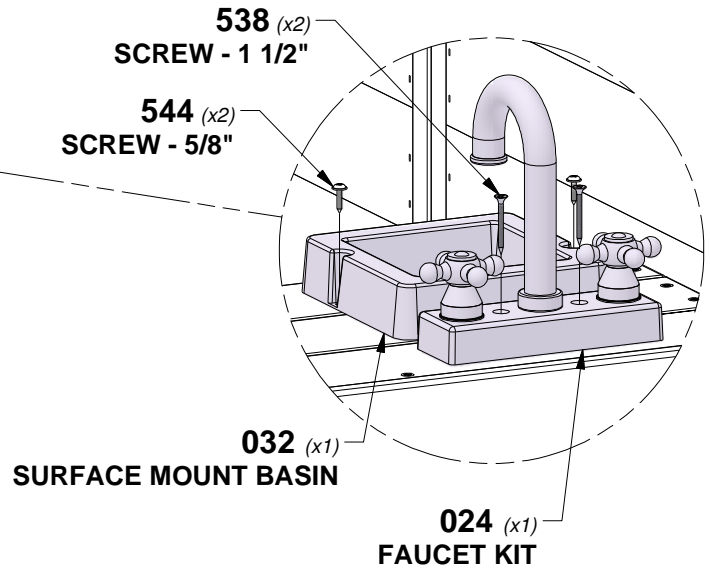
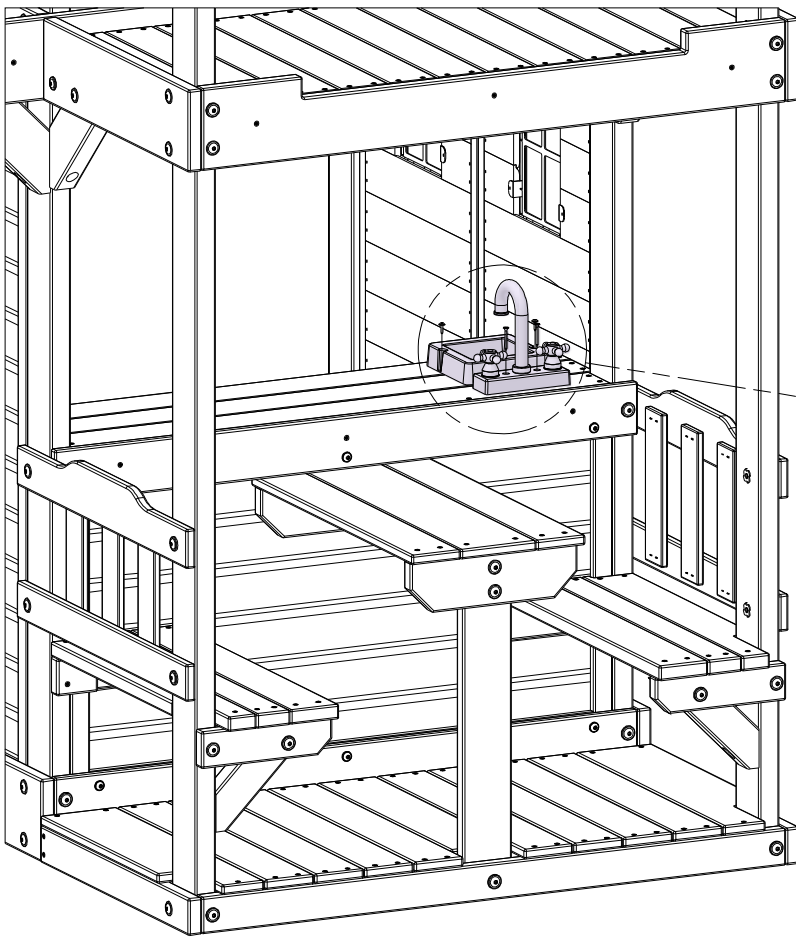
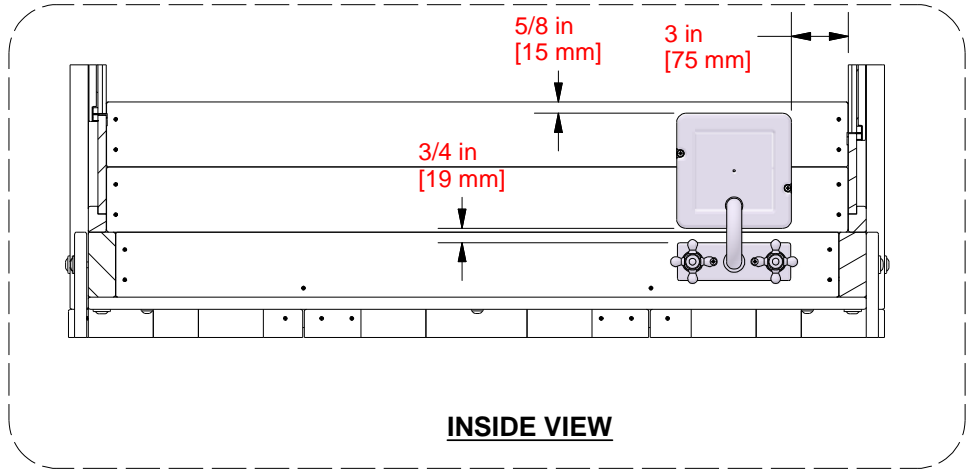
STEP 34 - FORT ASSEMBLY

| QTY | PART NUMBER | DESCRIPTION |
|-----|-------------|----------------------|
| 2 | H100538 | SCREW PFH 8x1 1/2 SD |
| 2 | H100544 | SCREW PWH 8x5/8 SD |



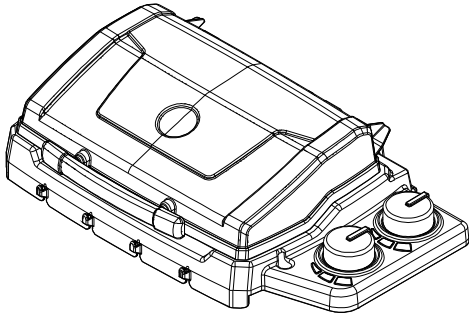
A6P00024
(x1) **FAUCET KIT**

A6P00032
(x1) **SURFACE MOUNT BASIN**

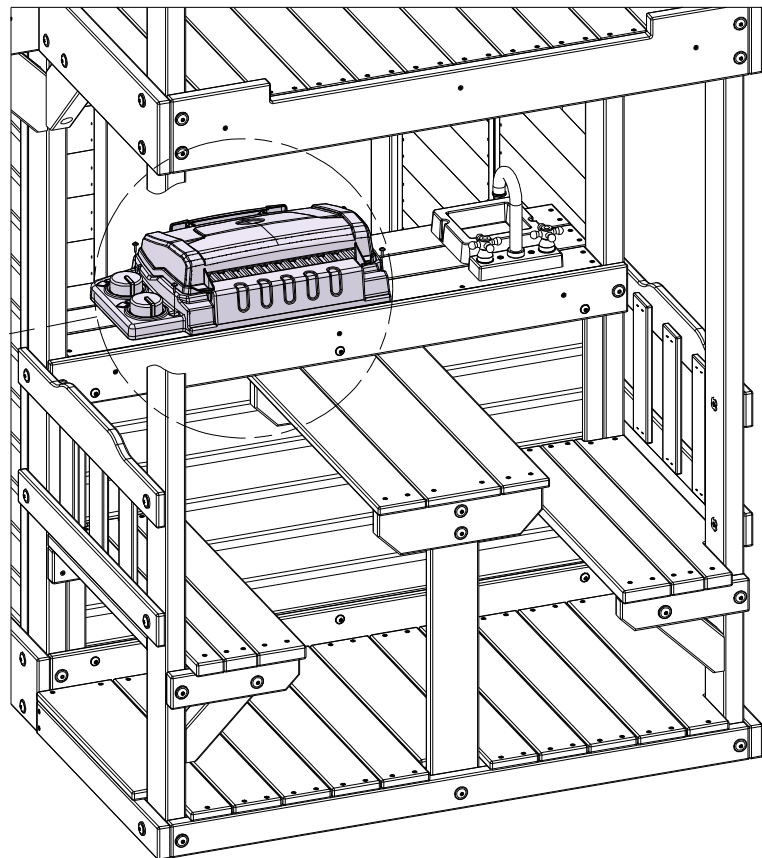
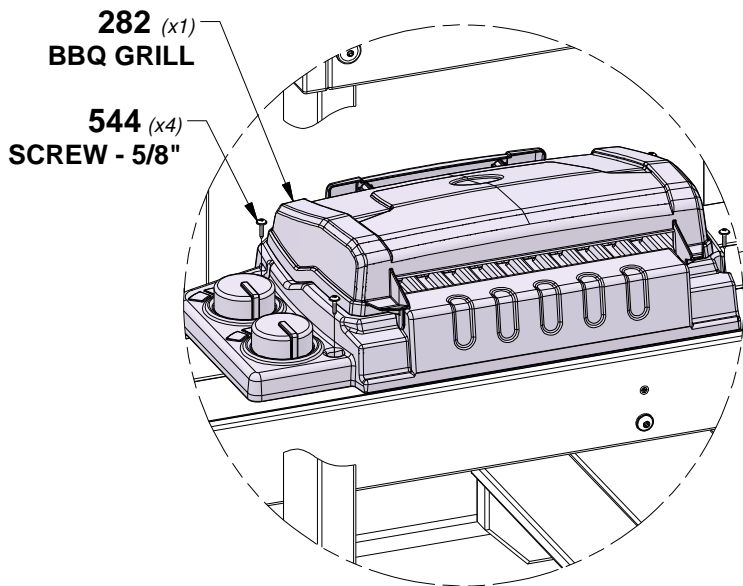
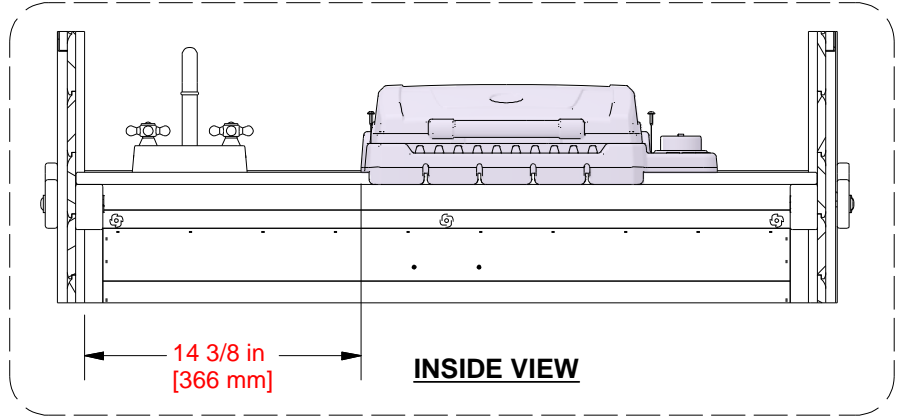


STEP 35 - FORT ASSEMBLY

| QTY | PART NUMBER | DESCRIPTION |
|-----|-------------|--------------------|
| 4 | H100544 | SCREW PWH 8x5/8 SD |

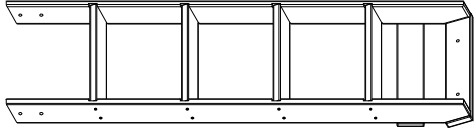


A6P00282
(x1) **BBQ GRILL**

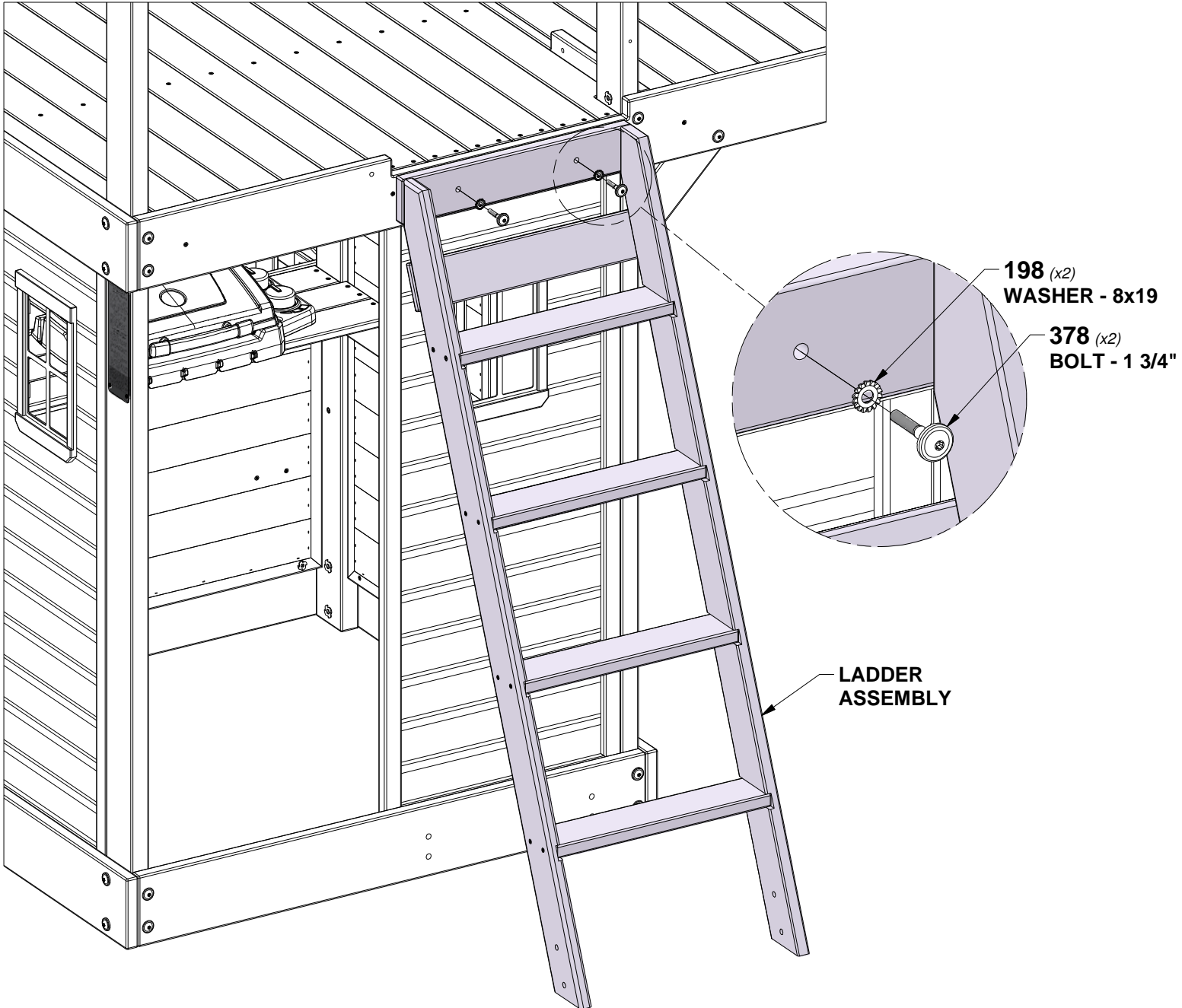


STEP 36 - FORT ASSEMBLY

| QTY | PART NUMBER | DESCRIPTION |
|-----|-------------|--------------------------|
| 2 | H100198 | WASHER LOCK EXT 8x19 BLK |
| 2 | H100378 | BOLT WH 5/16x1 3/4 BLK |

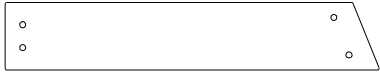


LADDER ASSEMBLY (x1)

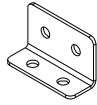


STEP 37 - FORT ASSEMBLY

| QTY | PART NUMBER | DESCRIPTION |
|-----|-------------|--------------------------|
| 4 | H100198 | WASHER LOCK EXT 8x19 BLK |
| 4 | H100378 | BOLT WH 5/16x1 3/4 BLK |
| 12 | H100379 | T-NUT 5/16 BLK |
| 8 | H100468 | BOLT WH 5/16x1 BLK |

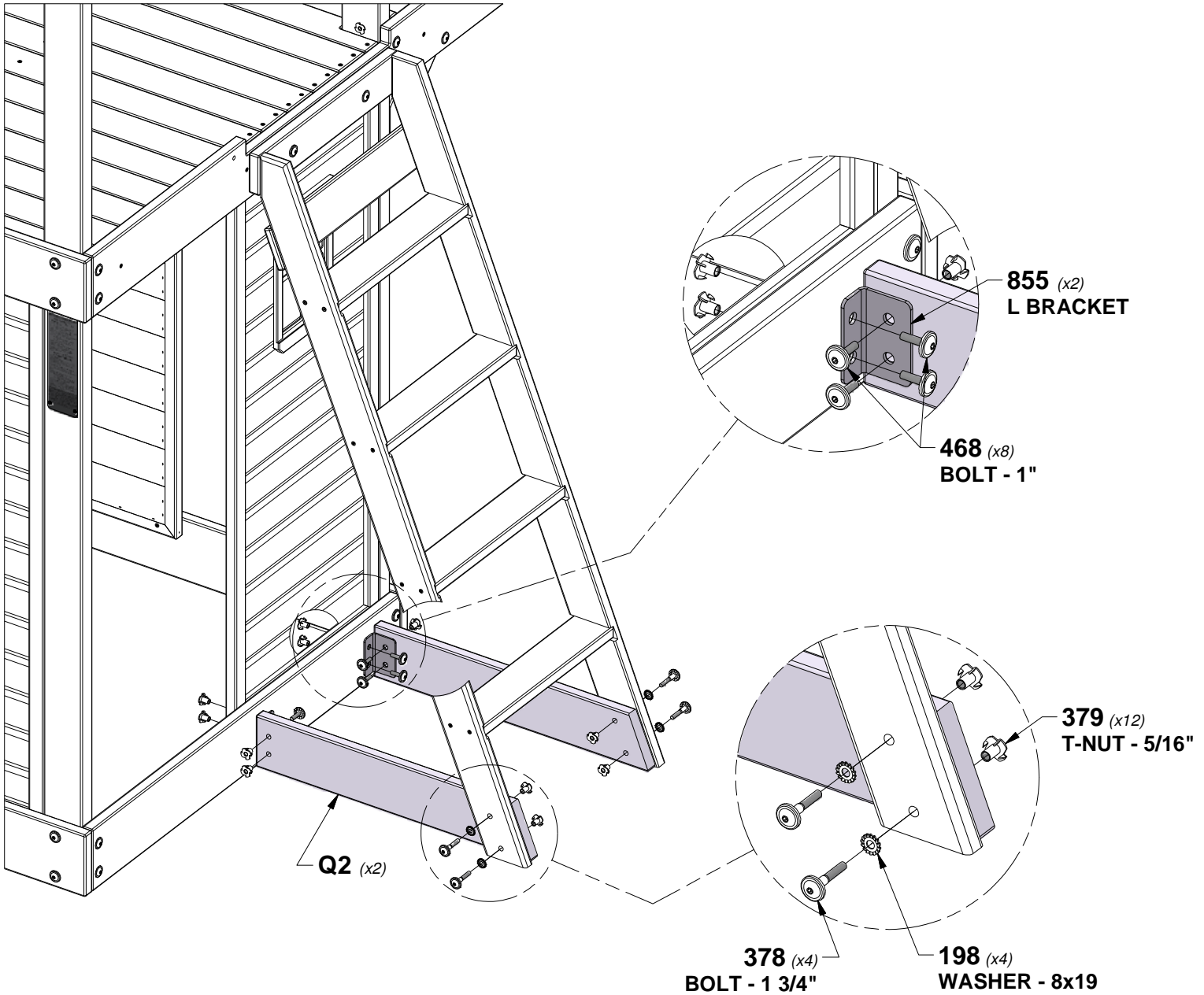


Q2 GROUND BOARD - W4L17640
(x2) 1"x4 3/8"x24 3/8" (24x112x620)

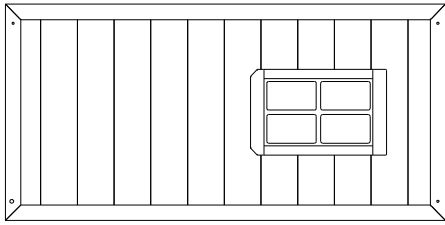


A4M00855 L BRACKET
(x2) 32x51x82

TIP:
INSTALL T-NUTS IN WOOD FIRST



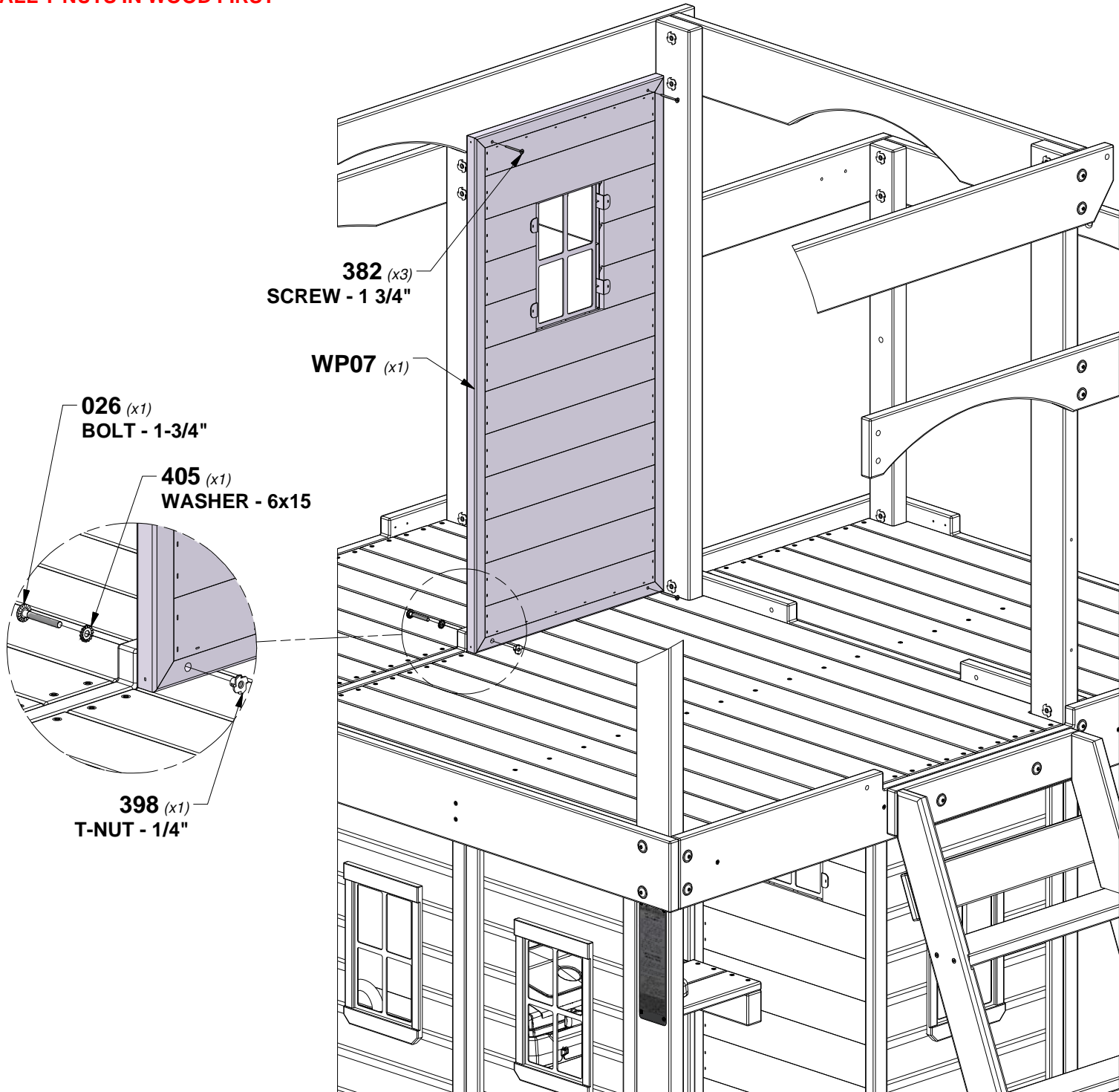
STEP 38 - FORT ASSEMBLY



WP07 WALL PANEL - W2A03783
 (x1) 1"x16 7/8"x46 1/2" (24x476x971)

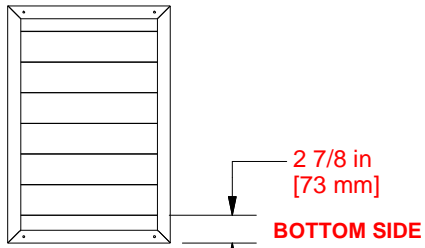
| QTY | PART NUMBER | DESCRIPTION |
|-----|-------------|--------------------------|
| 3 | H100382 | SCREW PFH 8x1-3/4 BLK |
| 1 | H100398 | T-NUT 1/4 BLK |
| 1 | H100405 | WASHER LOCK EXT 6x15 BLK |
| 1 | H101026 | BOLT WH 1/4x1-3/4 BLK |

TIP:
INSTALL T-NUTS IN WOOD FIRST

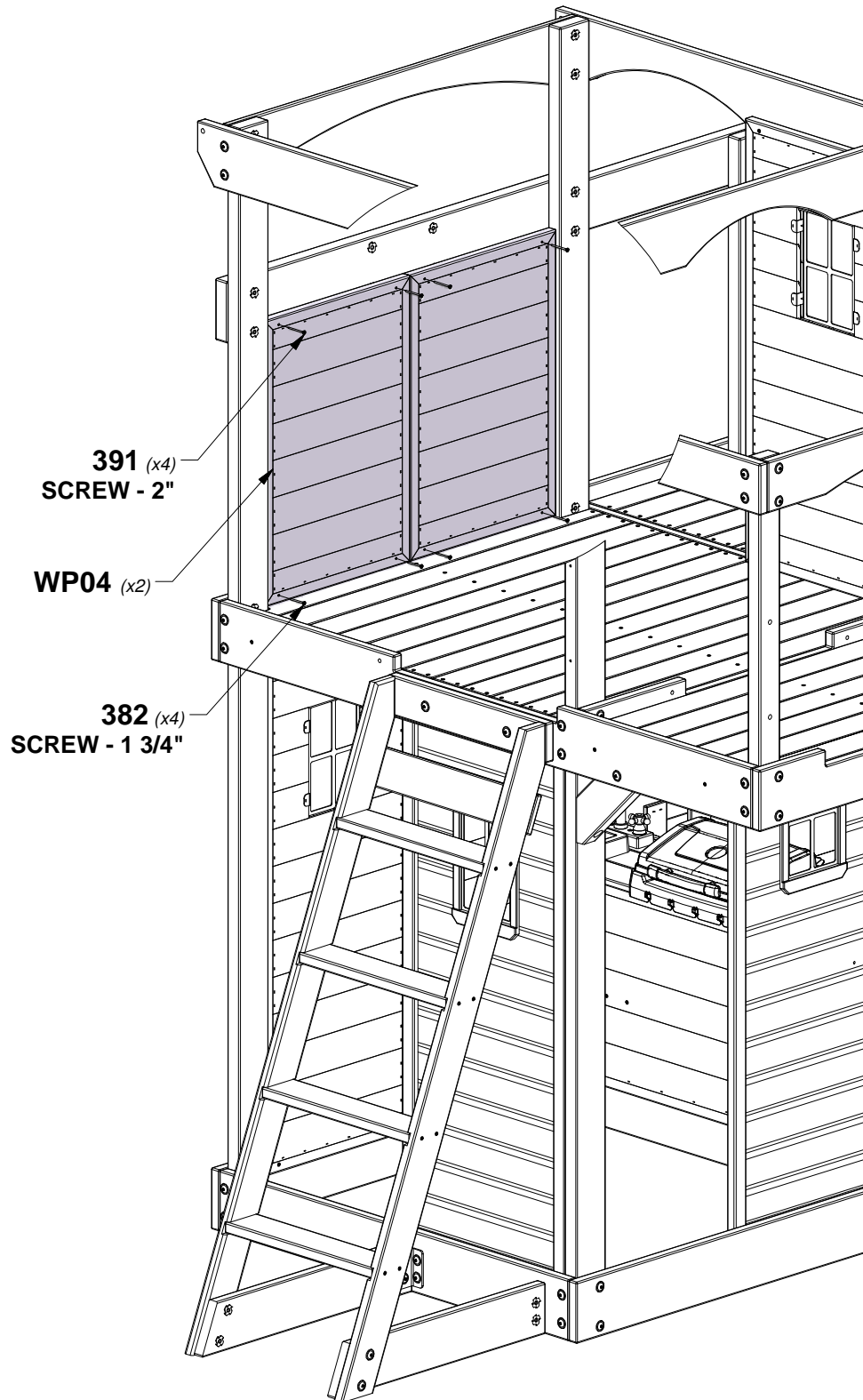
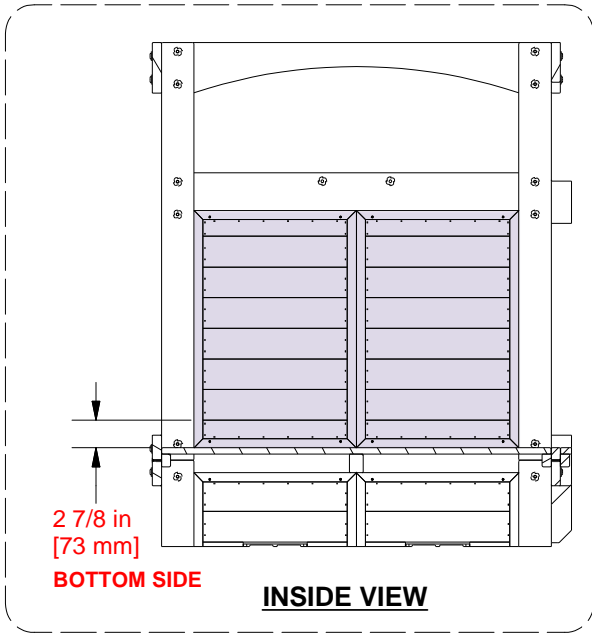


STEP 39 - FORT ASSEMBLY

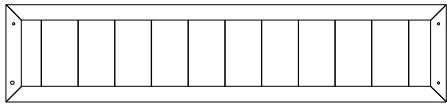
| QTY | PART NUMBER | DESCRIPTION |
|-----|-------------|-----------------------|
| 4 | H100382 | SCREW PFH 8x1 3/4 BLK |
| 4 | H100391 | SCREW PFH 8x2 BLK |



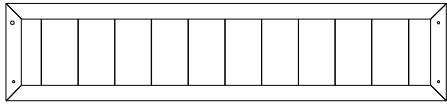
WP04 WALL PANEL - W2A03784
(x2) 1"x16 7/8"x24 5/8" (24x430x627)



STEP 40 - FORT ASSEMBLY



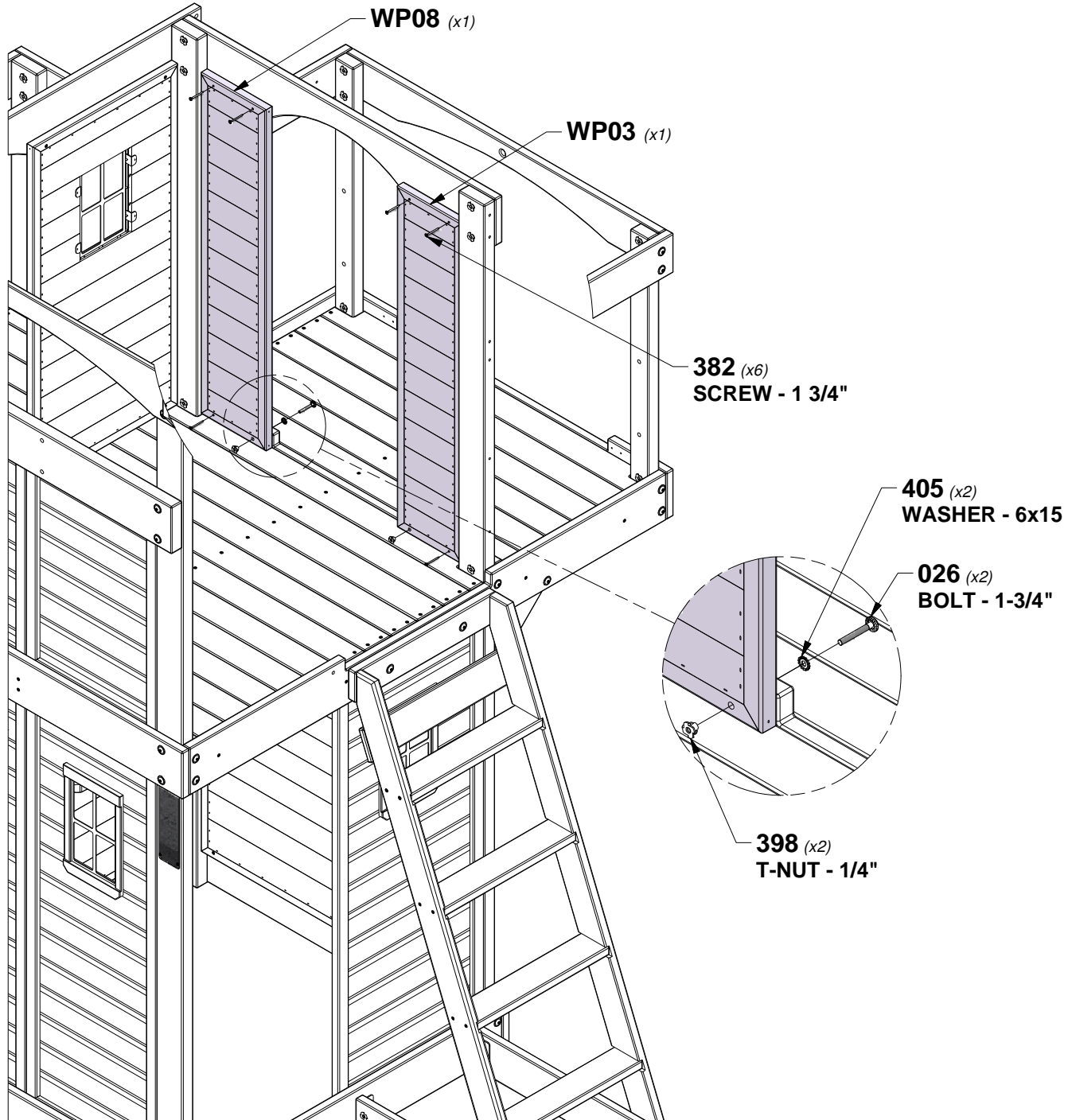
WP03 WALL PANEL - W2A03786
(x1) 1"x18 7/8"x11 3/4" (24x214x971)



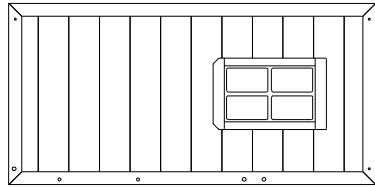
WP08 WALL PANEL - W2A03787
(x1) 1"x18 7/8"x11 3/4" (24x214x971)

| QTY | PART NUMBER | DESCRIPTION |
|-----|-------------|--------------------------|
| 6 | H100382 | SCREW PFH 8x1-3/4 BLK |
| 2 | H100398 | T-NUT 1/4 BLK |
| 2 | H100405 | WASHER LOCK EXT 6x15 BLK |
| 2 | H101026 | BOLT WH 1/4x1-3/4 BLK |

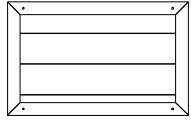
TIP:
INSTALL T-NUTS IN WOOD FIRST



STEP 41 - FORT ASSEMBLY



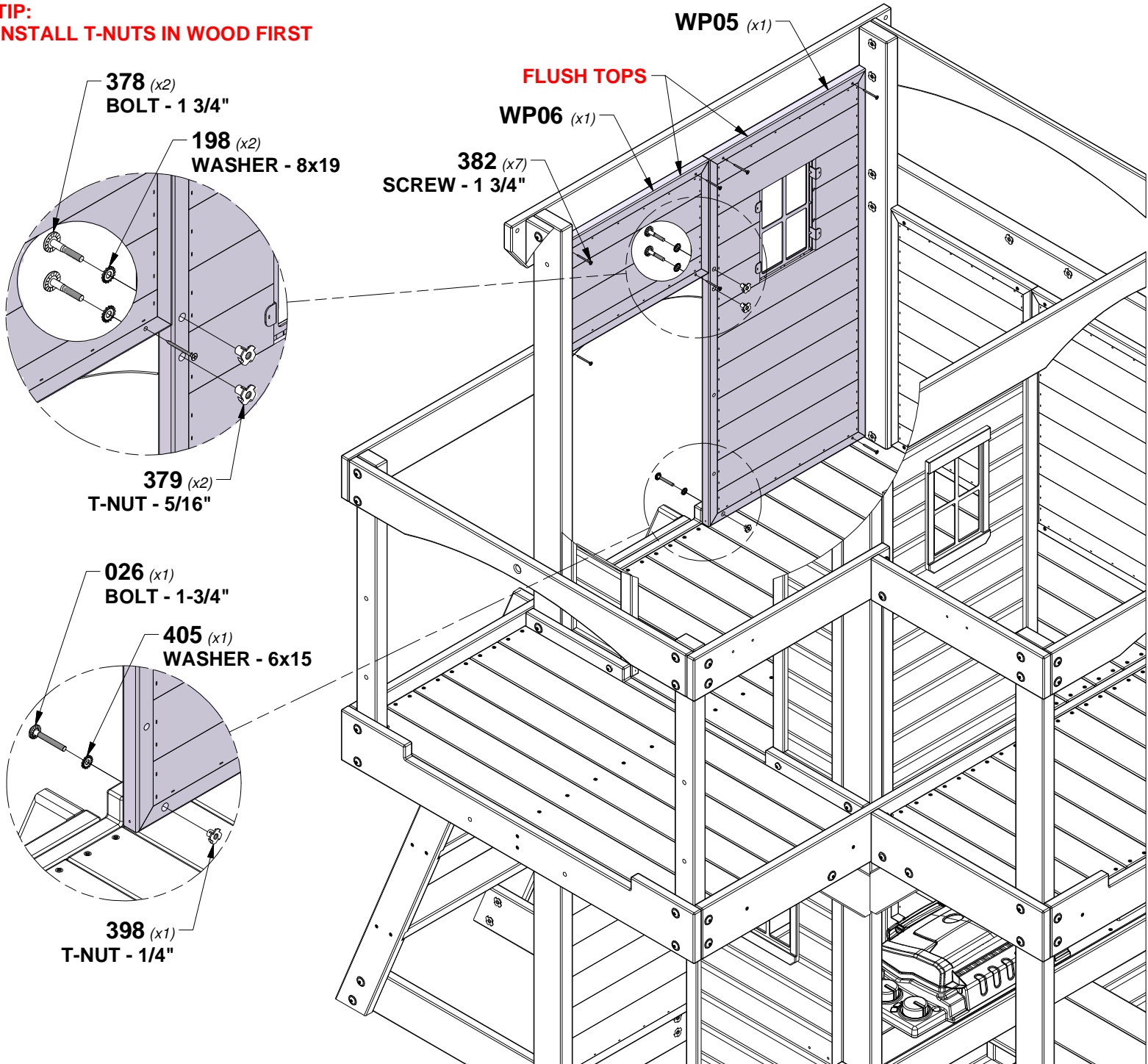
WP05 WALL PANEL - W2A03785
(x1) 1"x16 7/8"x46 1/2" (24x479x971)



WP06 WALL PANEL - W2A03780
(x1) 1"x18 7/8"x11 3/4" (24x479x300)

| QTY | PART NUMBER | DESCRIPTION |
|-----|-------------|--------------------------|
| 2 | H100198 | WASHER LOCK EXT 8x19 BLK |
| 2 | H100378 | BOLT WH 5/16x1 3/4 BLK |
| 2 | H100379 | T-NUT 5/16 BLK |
| 7 | H100382 | SCREW PFH 8x1-3/4 BLK |
| 1 | H100398 | T-NUT 1/4 BLK |
| 1 | H100405 | WASHER LOCK EXT 6x15 BLK |
| 1 | H101026 | BOLT WH 1/4x1-3/4 BLK |

TIP:
INSTALL T-NUTS IN WOOD FIRST

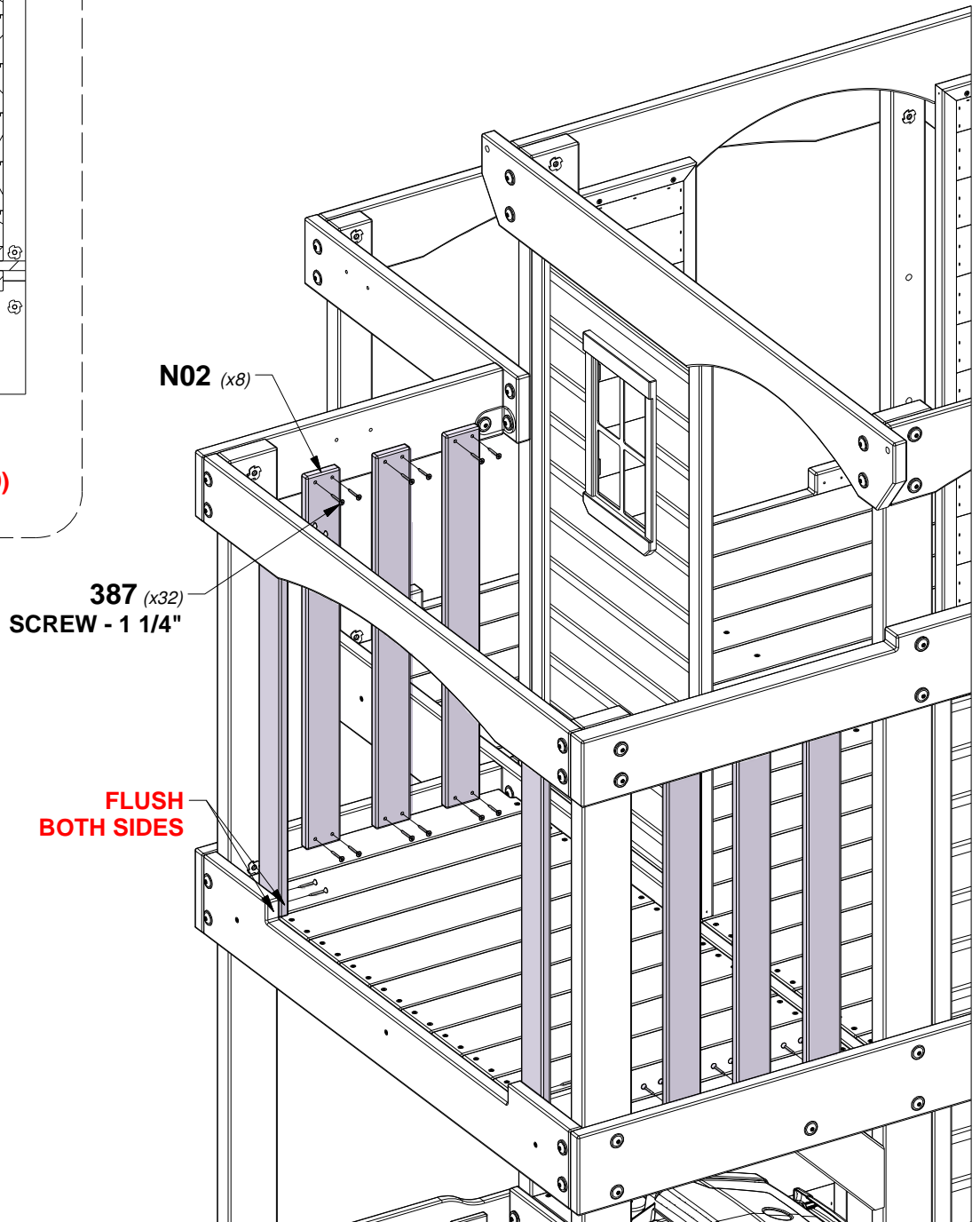
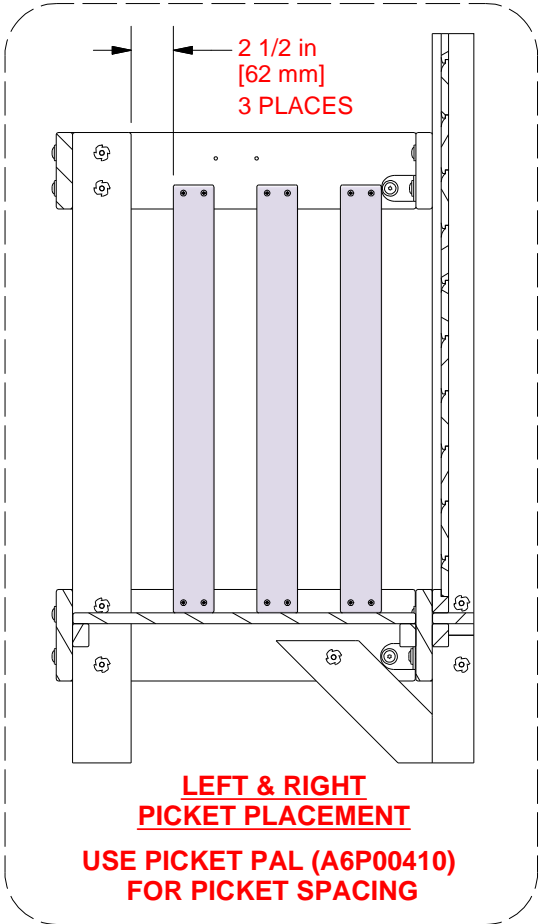


STEP 42 - FORT ASSEMBLY

| QTY | PART NUMBER | DESCRIPTION |
|-----|-------------|-----------------------|
| 32 | H100387 | SCREW PFH 8x1-1/4 BLK |



N02 PICKET - W4L18514
(x8) 5/8"x2 3/8"x24 3/4" (16x60x628)

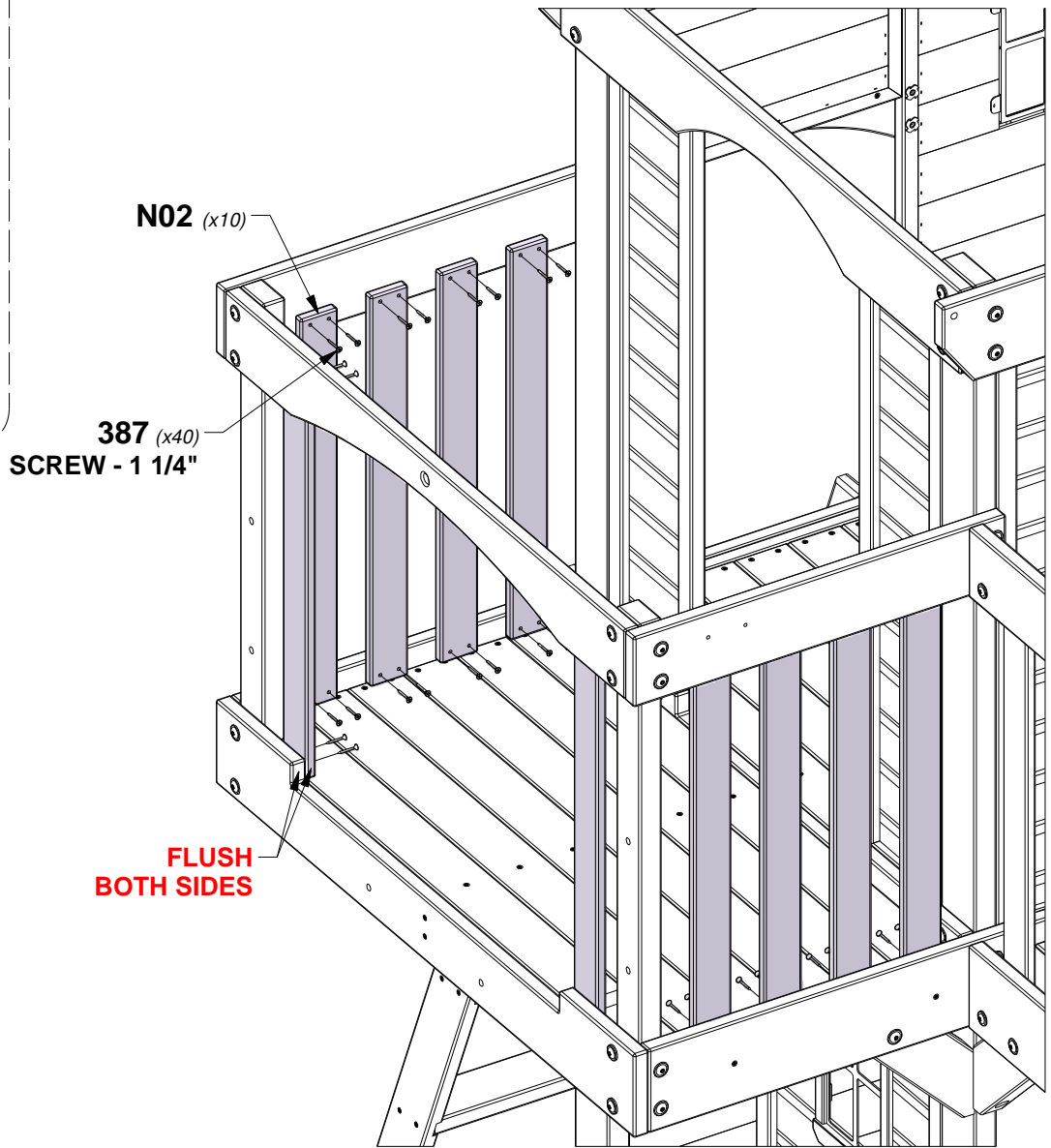
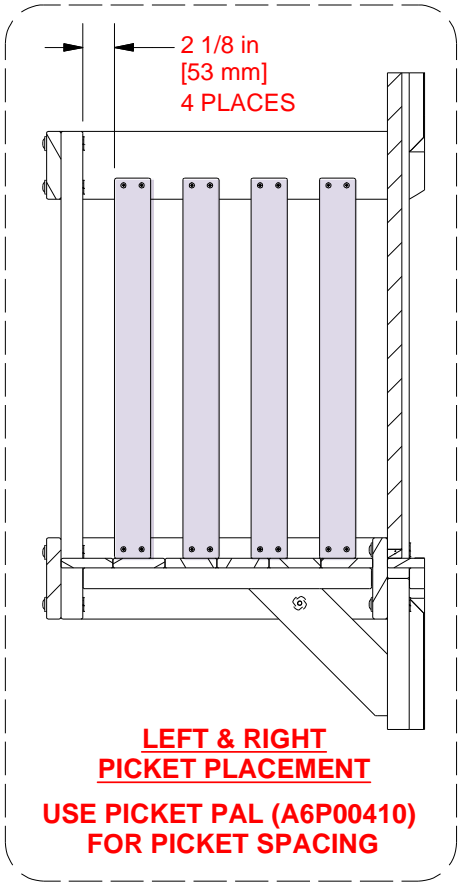


STEP 43 - FORT ASSEMBLY

| QTY | PART NUMBER | DESCRIPTION |
|-----|-------------|-----------------------|
| 40 | H100387 | SCREW PFH 8x1-1/4 BLK |

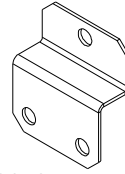
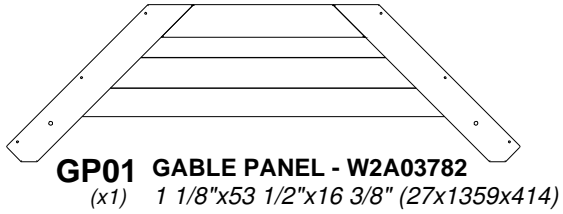
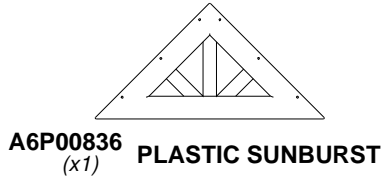


N02 PICKET - W4L18514
(x10) 5/8"x2 3/8"x24 3/4" (16x60x628)

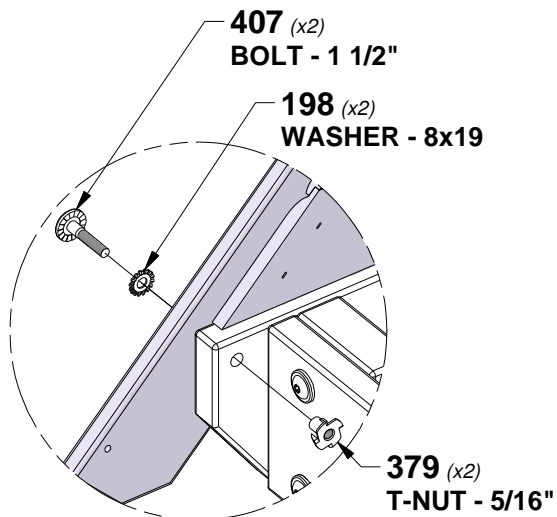


STEP 44 - FORT ASSEMBLY

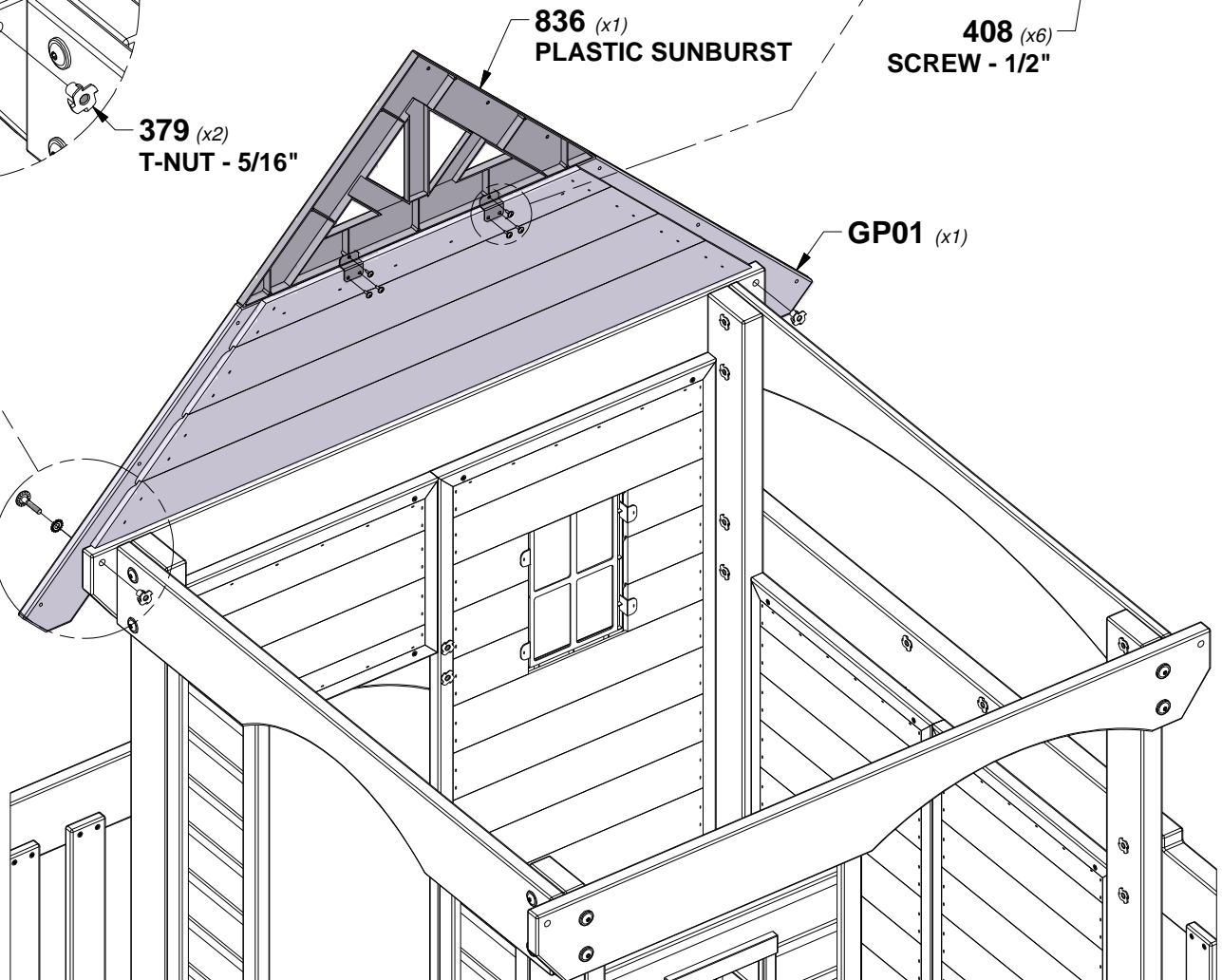
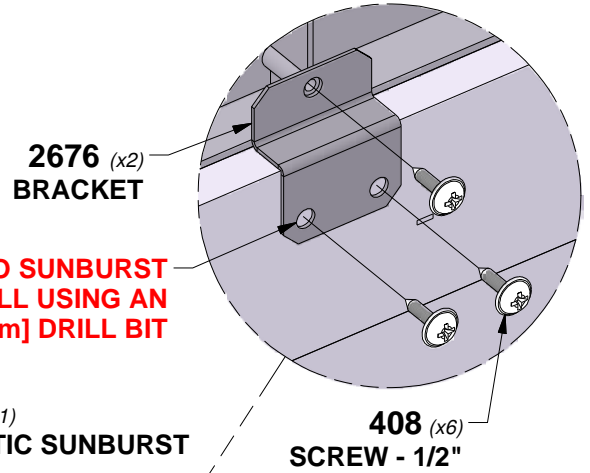
| QTY | PART NUMBER | DESCRIPTION |
|-----|-------------|--------------------------|
| 2 | H100198 | WASHER LOCK EXT 8x19 BLK |
| 2 | H100379 | T-NUT 5/16 BLK |
| 2 | H100407 | BOLT WH 5/16x1 1/2 BLK |
| 6 | H100408 | SCREW PWH 8x1/2 BLK |



TIP:
INSTALL T-NUTS IN WOOD FIRST

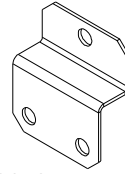
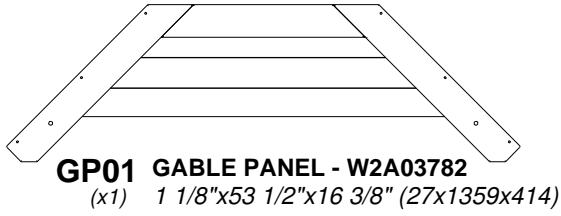
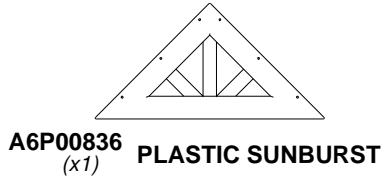


**INSTALL BRACKET TO SUNBURST
THEN PRE-DRILL USING AN
1/8" [3mm] DRILL BIT**

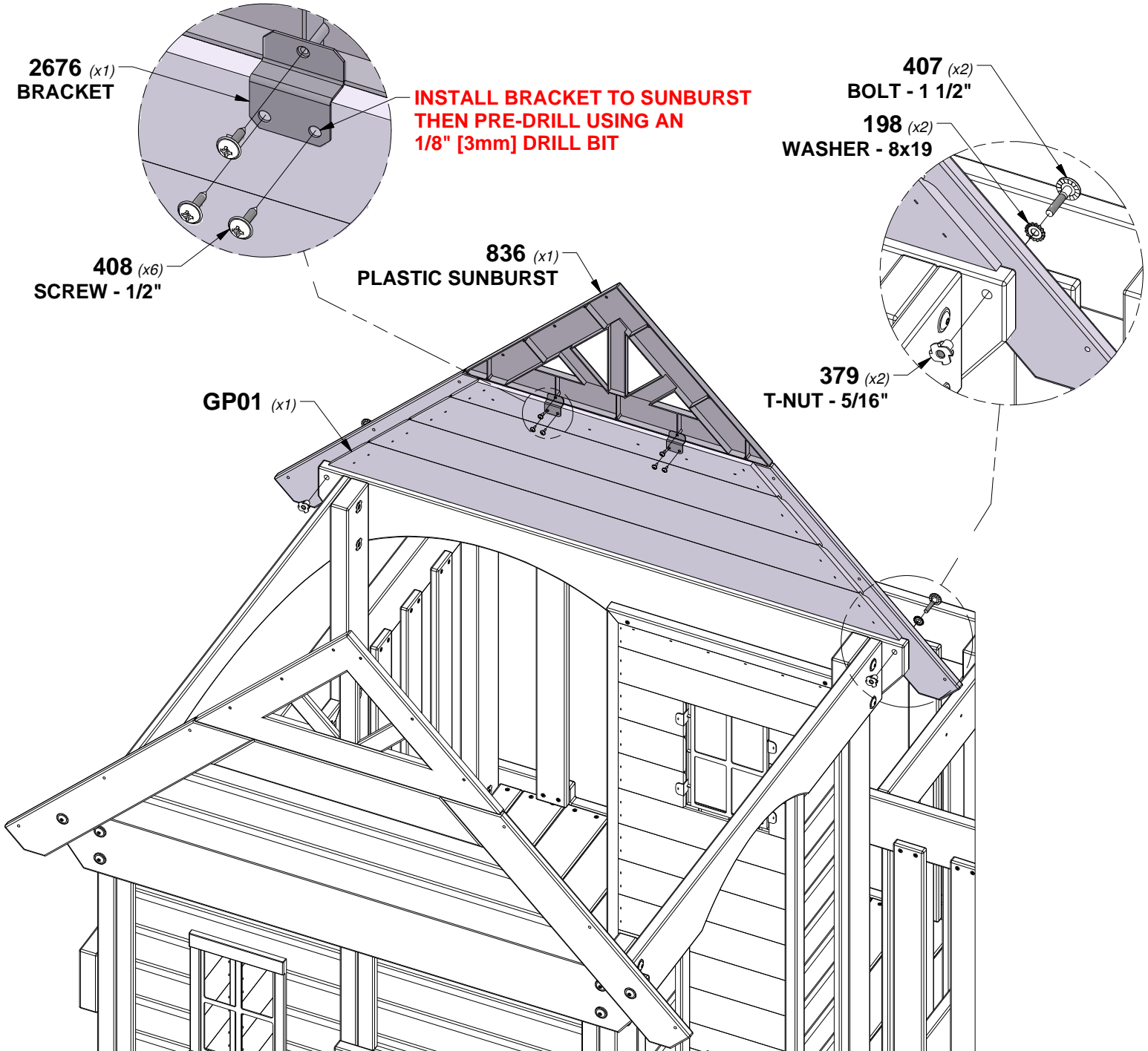


STEP 45 - FORT ASSEMBLY

| QTY | PART NUMBER | DESCRIPTION |
|-----|-------------|--------------------------|
| 2 | H100198 | WASHER LOCK EXT 8x19 BLK |
| 2 | H100379 | T-NUT 5/16 BLK |
| 2 | H100407 | BOLT WH 5/16x1 1/2 BLK |
| 6 | H100408 | SCREW PWH 8x1/2 BLK |

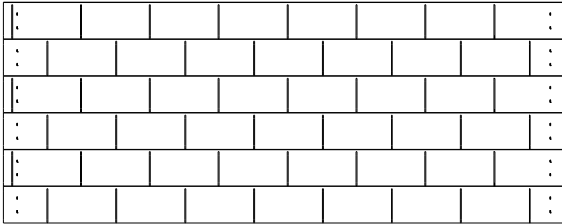


TIP:
INSTALL T-NUTS IN WOOD FIRST

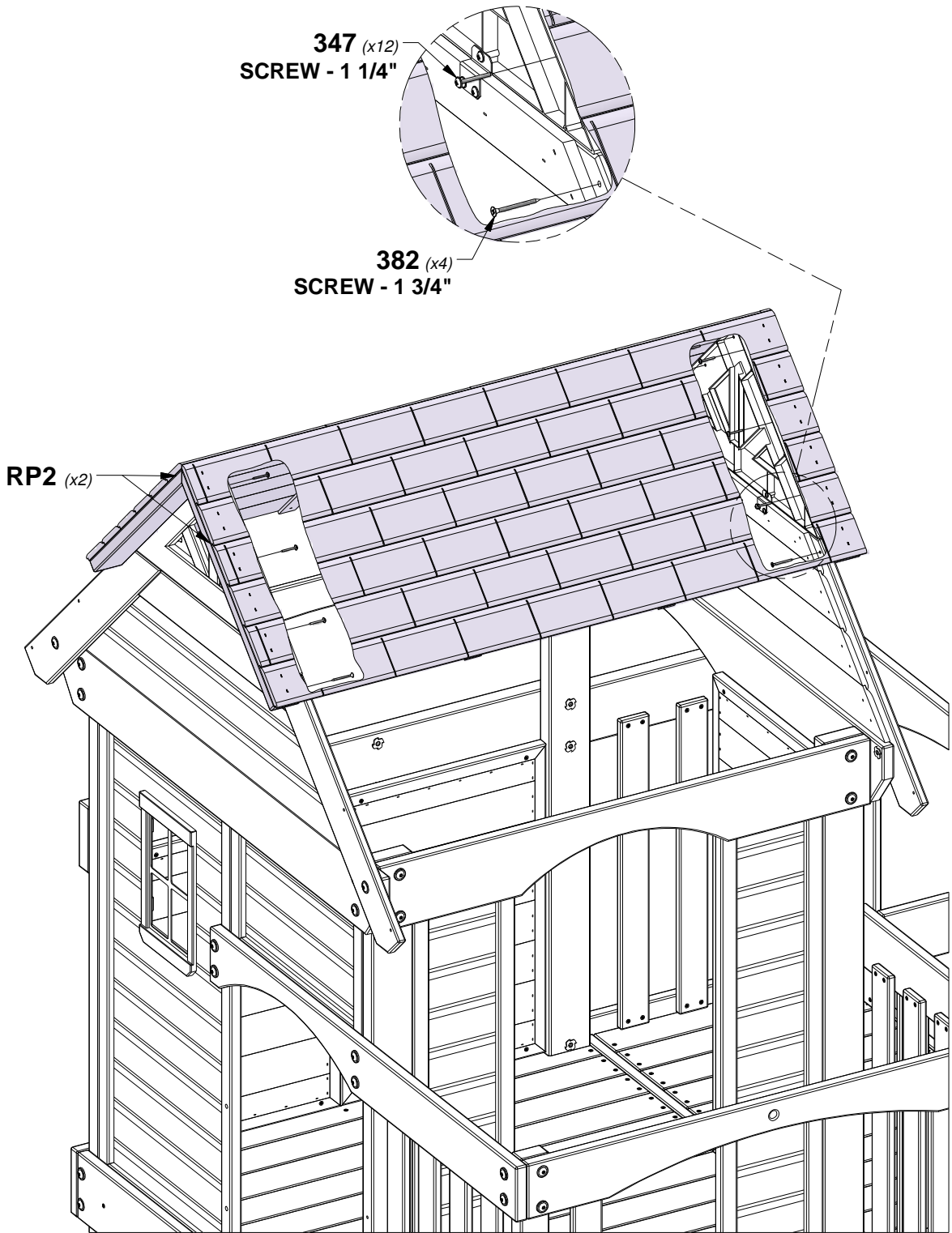


STEP 46 - FORT ASSEMBLY

| QTY | PART NUMBER | DESCRIPTION |
|-----|-------------|-----------------------|
| 12 | H100347 | SCREW PWH 8x1-1/4 WZ |
| 4 | H100382 | SCREW PFH 8x1 3/4 BLK |

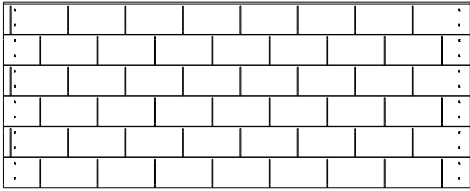


RP2 TOP ROOF PANEL - W2A04025
 (x2) 1 3/8"x19 1/8"x48 5/8" (35x486x1236)



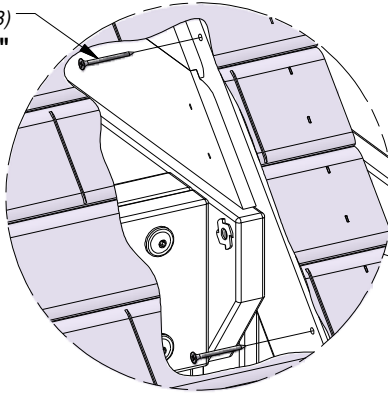
STEP 47 - FORT ASSEMBLY

| QTY | PART NUMBER | DESCRIPTION |
|-----|-------------|-----------------------|
| 8 | H100382 | SCREW PFH 8x1 3/4 BLK |

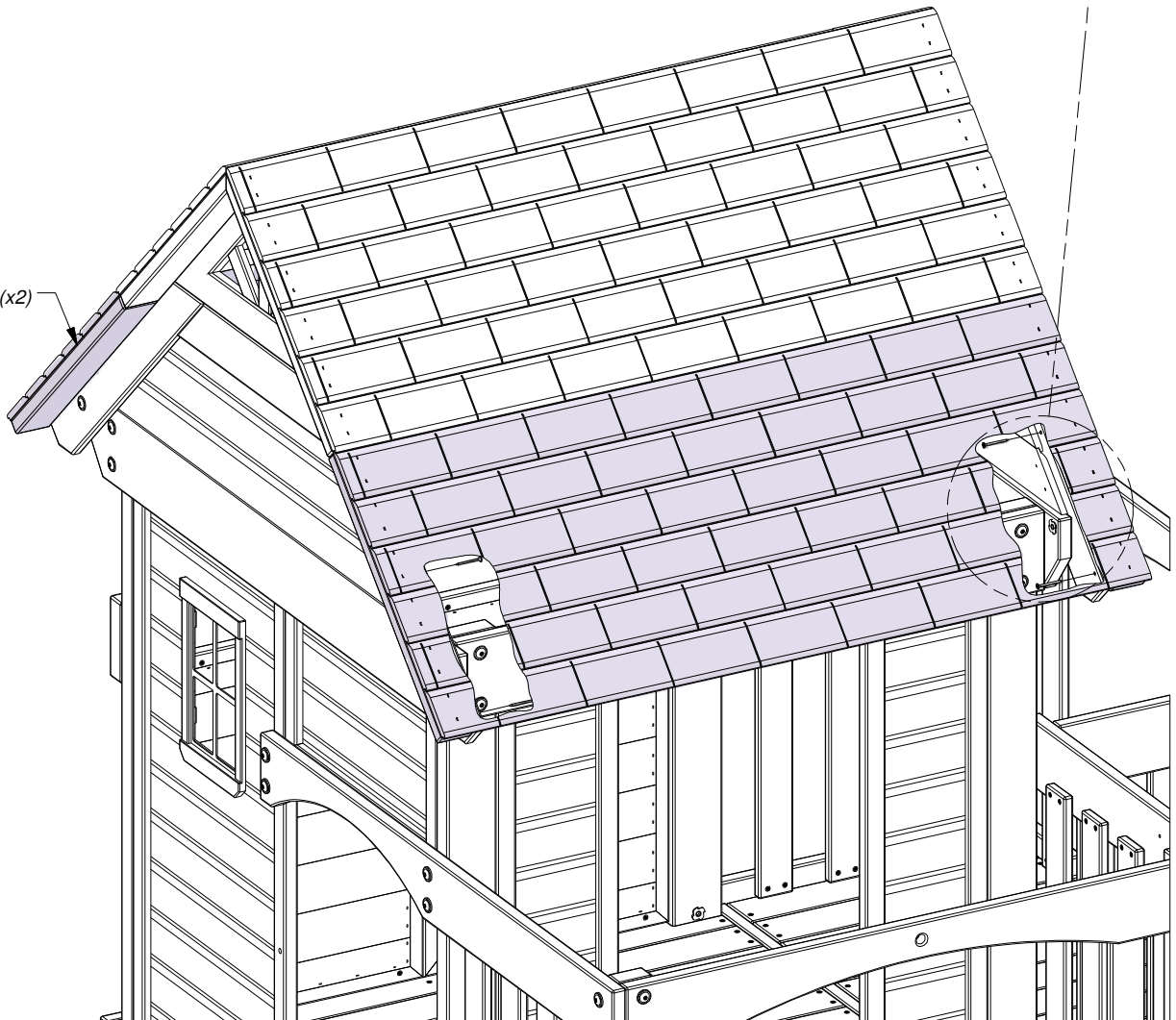


RP1 LOWER ROOF PANEL - W2A04024
(x2) 1 3/8"x19 3/8"x48 5/8" (35x491x1236)

382 (x8)
SCREW - 1 3/4"

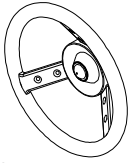


RP1 (x2)



STEP 48 - FORT ASSEMBLY

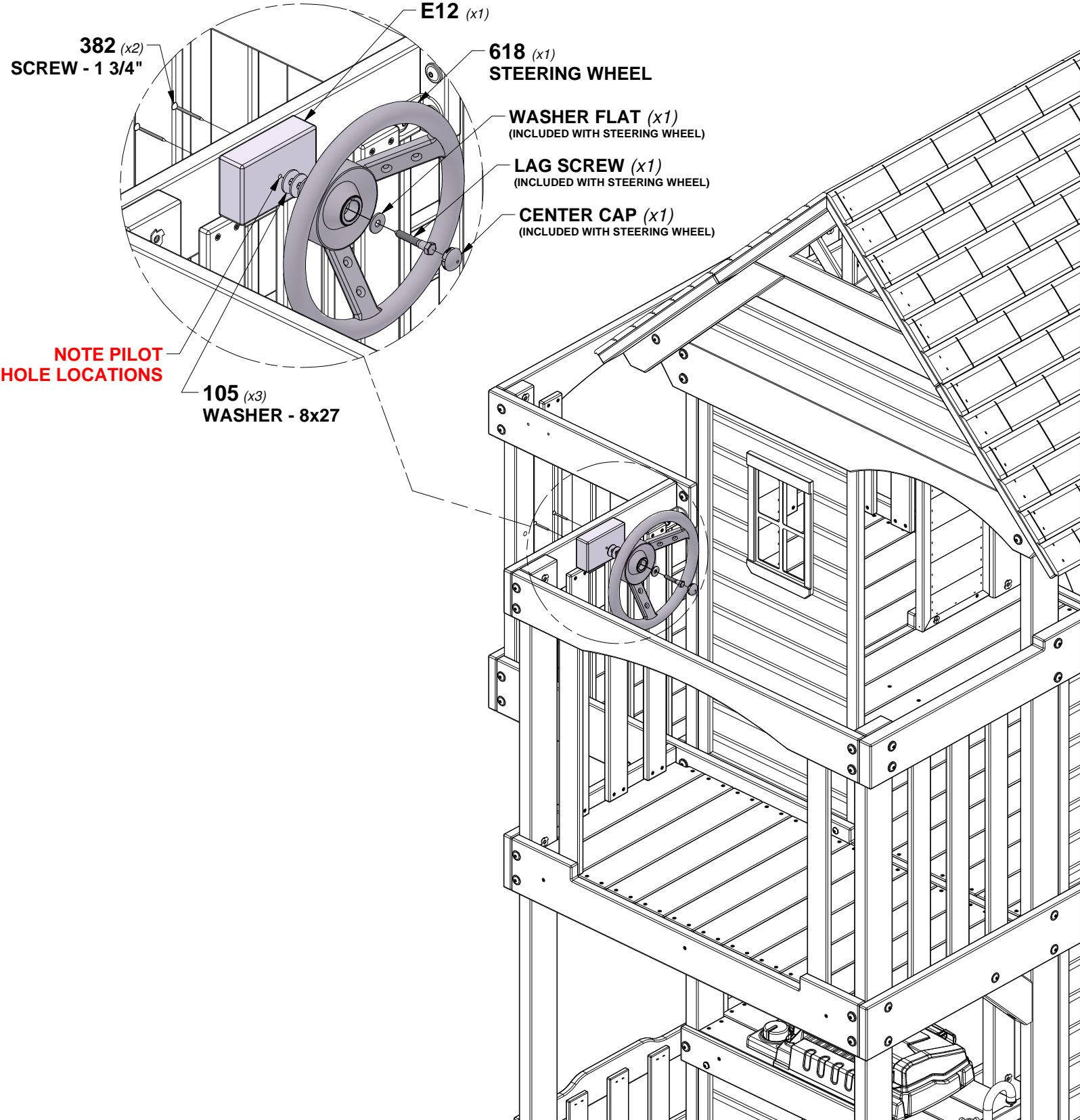
| QTY | PART NUMBER | DESCRIPTION |
|-----|-------------|-----------------------|
| 2 | H100382 | SCREW PFH 8x1 3/4 BLK |
| 3 | H100105 | WASHER FLAT 8x27 |



A6P00618
(x1) **STEERING WHEEL**

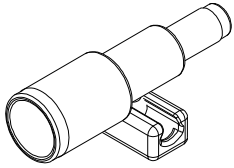
E12 MOUNTING BLOCK - W4L17816
(x1) 1 3/8"x3"x4 3/4" (36x76x120)

TIP:
ALIGN PILOT HOLES



STEP 49 - FORT ASSEMBLY

| QTY | PART NUMBER | DESCRIPTION |
|-----|-------------|-----------------------|
| 2 | H100382 | SCREW PFH 8x1 3/4 BLK |
| 2 | H100387 | SCREW PFH 8x1-1/4 BLK |

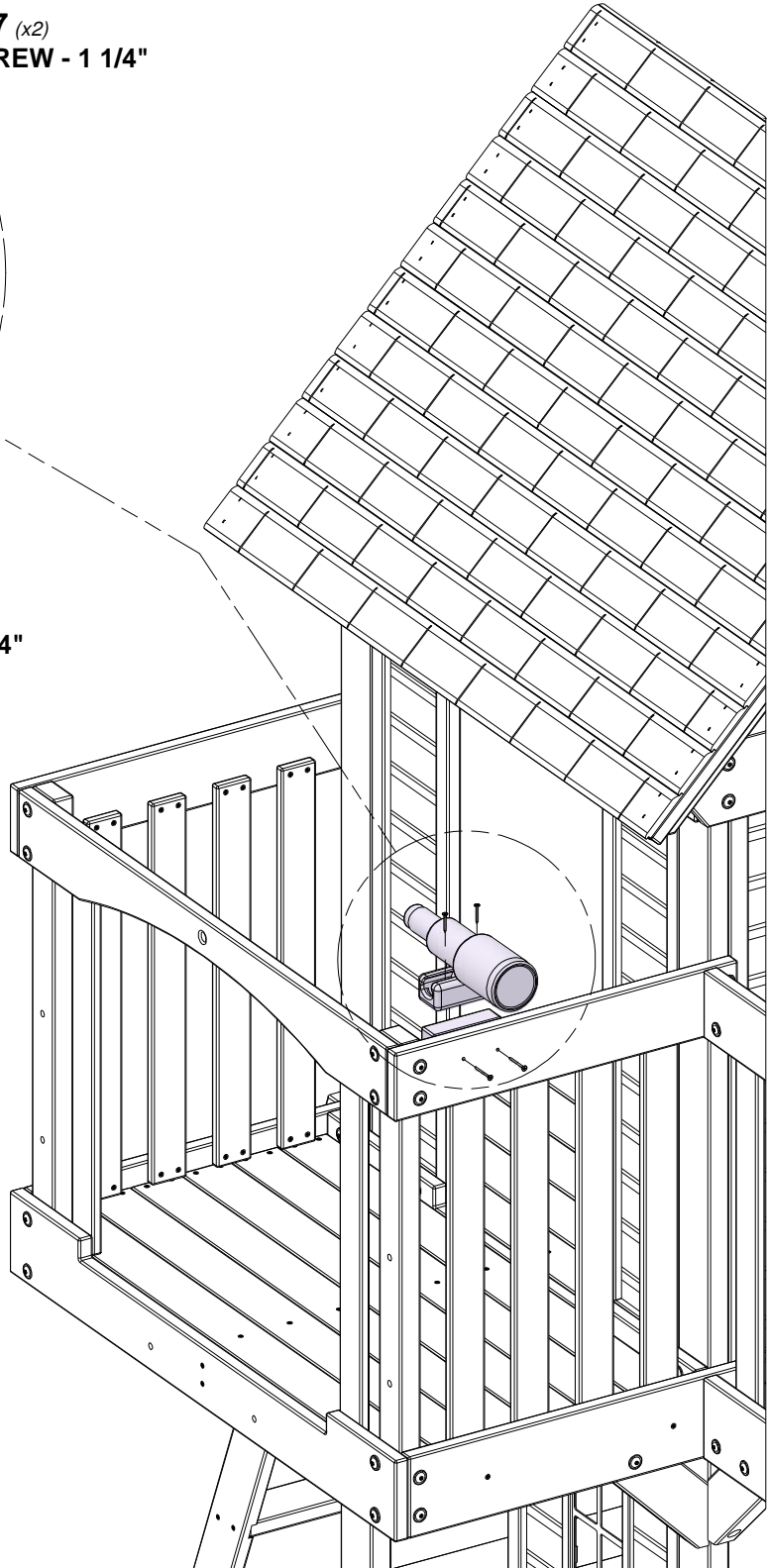
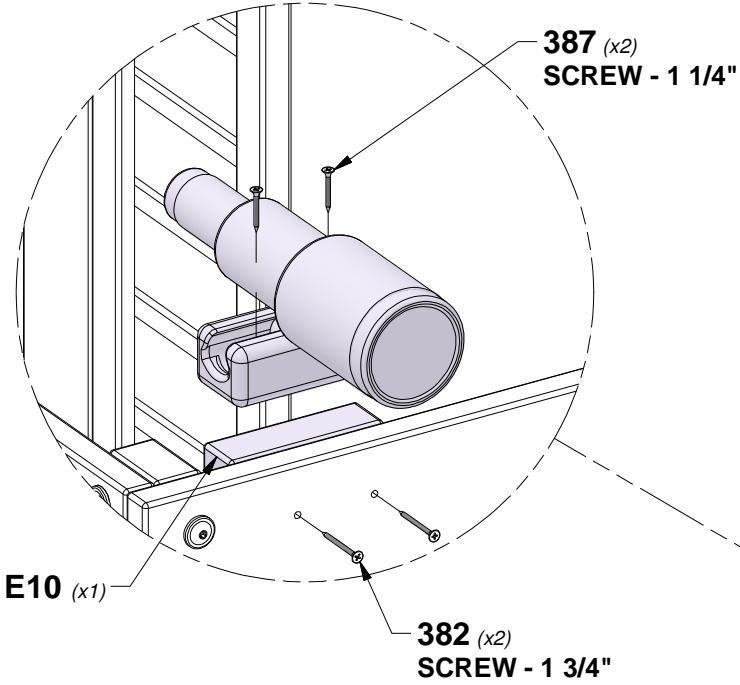


A6P00596
(x1) **TELESCOPE**

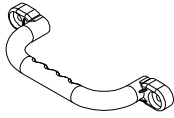


E10 MOUNTING BLOCK - W4L17815
(x1) 1 3/8"x3"x4 3/4" (36x76x120)

TIP:
ALIGN PILOT HOLES



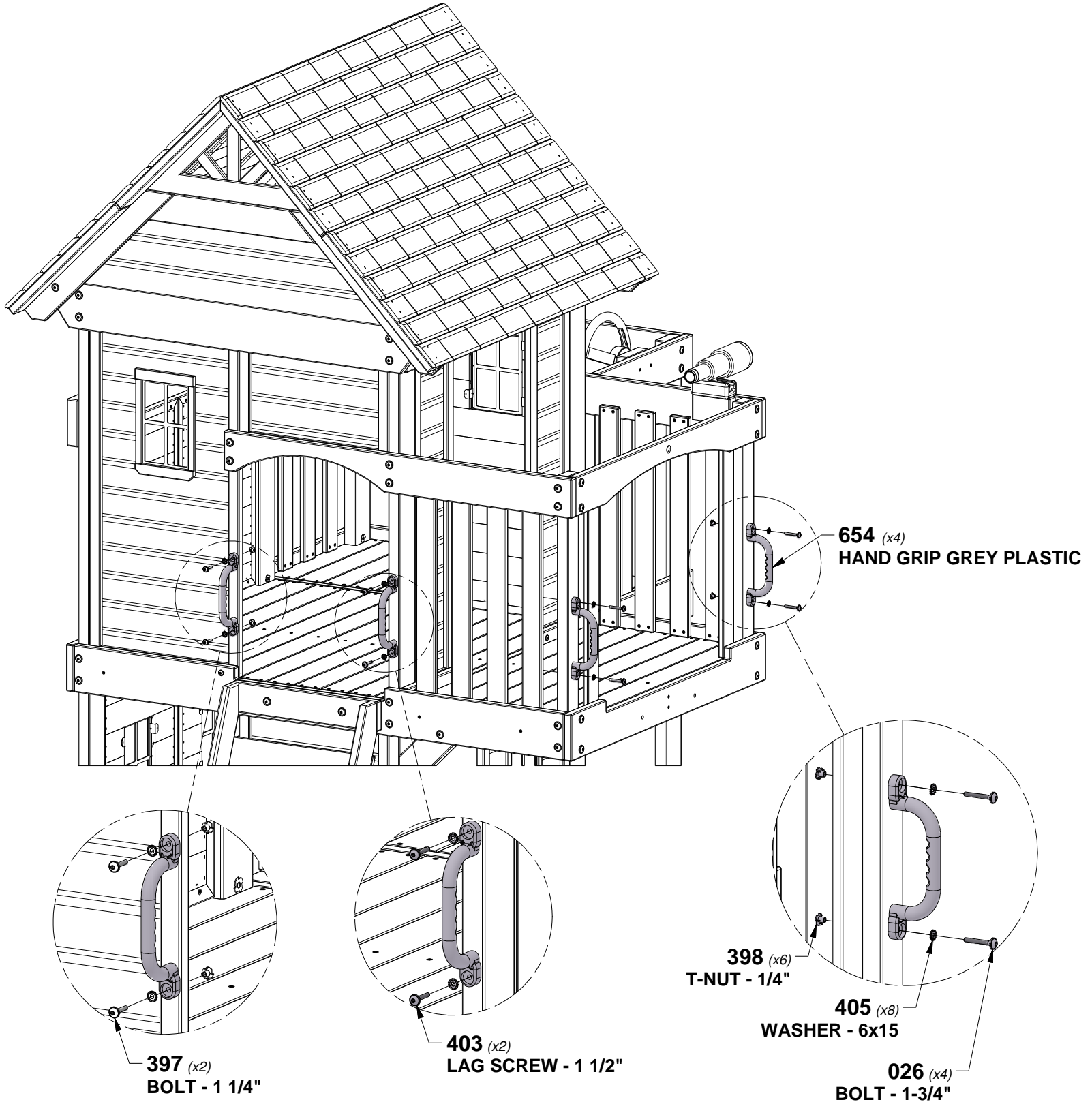
STEP 50 - FORT ASSEMBLY



A6P00654 HAND GRIP
(x4) **GREY PLASTIC**

| QTY | PART NUMBER | DESCRIPTION |
|-----|-------------|----------------------------|
| 2 | H100397 | BOLT WH 1/4x1-1/4 BLK |
| 6 | H100398 | T-NUT 1/4 BLK |
| 2 | H100403 | LAG SCREW WH 1/4x1-1/2 BLK |
| 8 | H100405 | WASHER LOCK EXT 6x15 BLK |
| 4 | H101026 | BOLT WH 1/4x1-3/4 BLK |

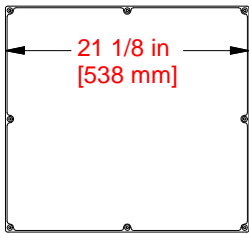
TIP:
INSTALL T-NUTS IN WOOD FIRST



STEP 51 - FORT ASSEMBLY

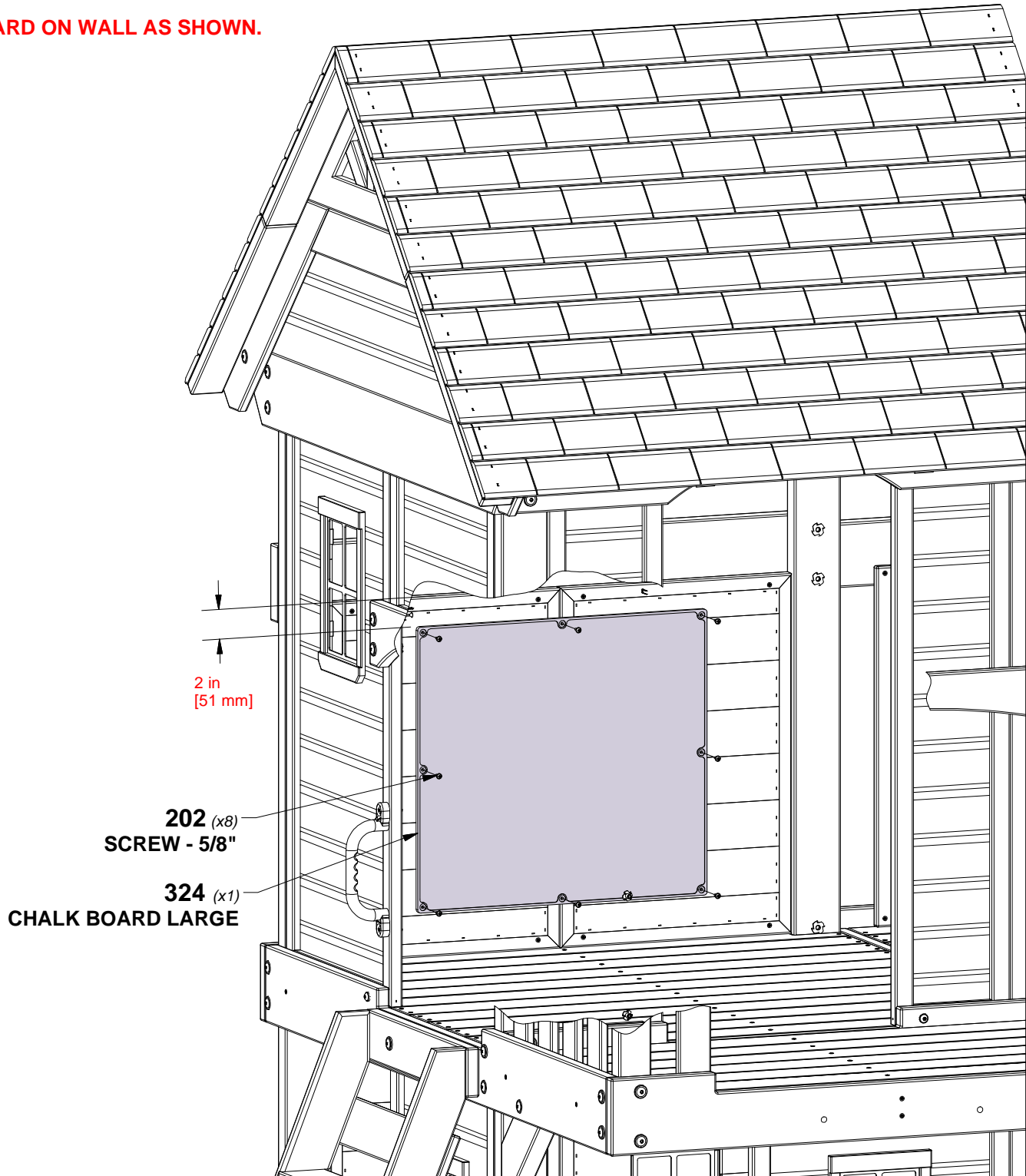
| QTY | PART NUMBER | DESCRIPTION |
|-----|-------------|---------------------|
| 8 | H100202 | SCREW PWH 8x5/8 BLK |

TOP



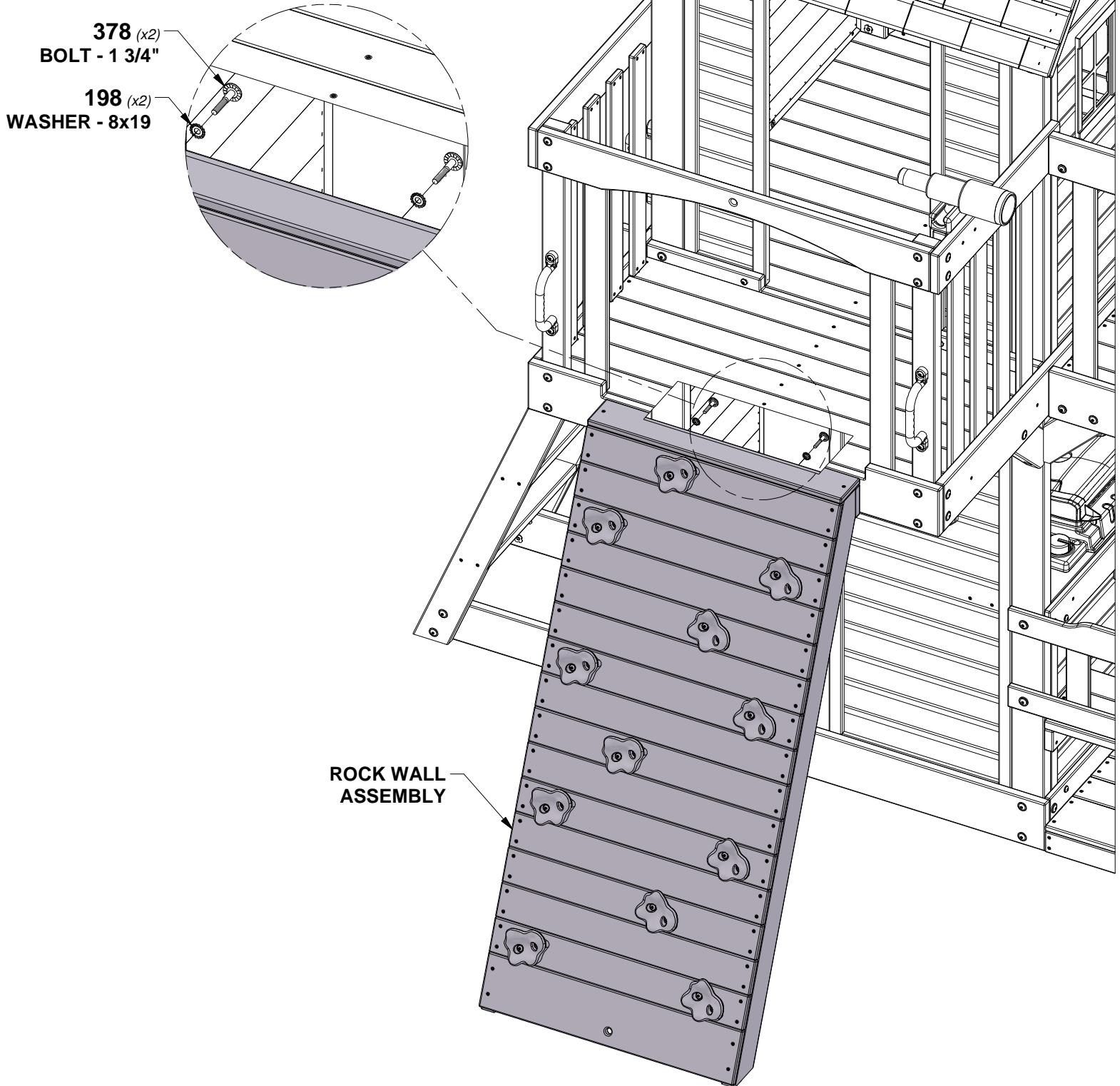
**A6P00324 CHALK BOARD
(x1) LARGE**

**TIP:
CENTER CHALK BOARD ON WALL AS SHOWN.**



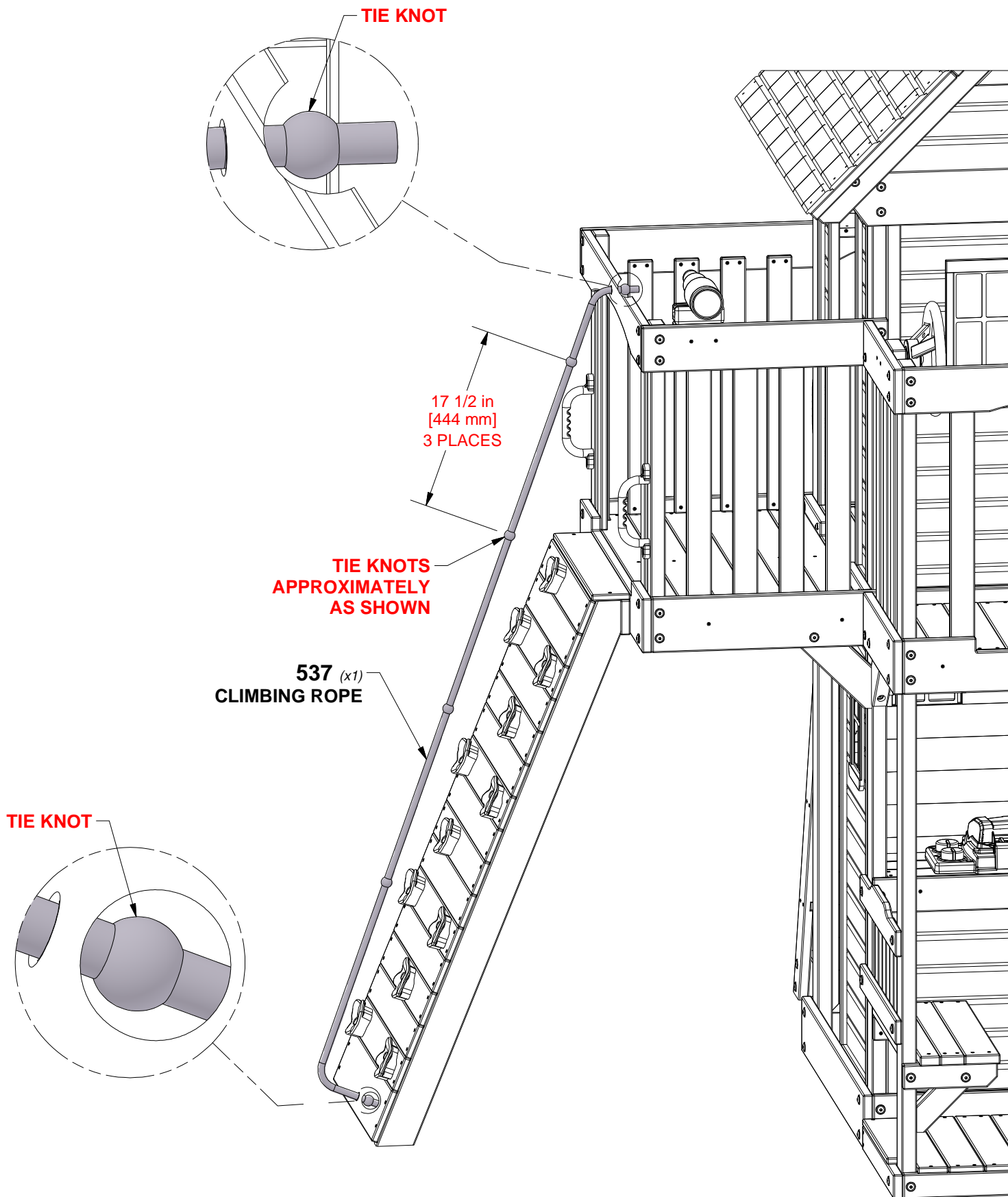
STEP 1 - FINAL ASSEMBLY

| QTY | PART NUMBER | DESCRIPTION |
|-----|-------------|--------------------------|
| 2 | H100198 | WASHER LOCK EXT 8x19 BLK |
| 2 | H100378 | BOLT WH 5/16x1 3/4 BLK |



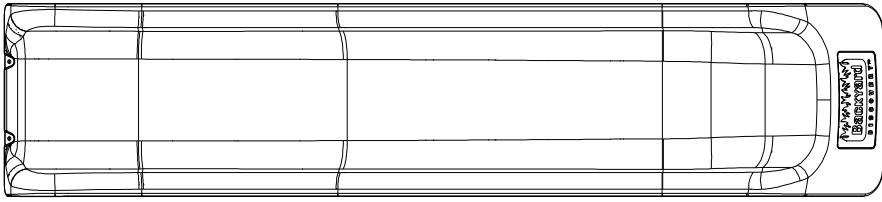
STEP 2 - FINAL ASSEMBLY

A6P00537
(x1) CLIMBING ROPE

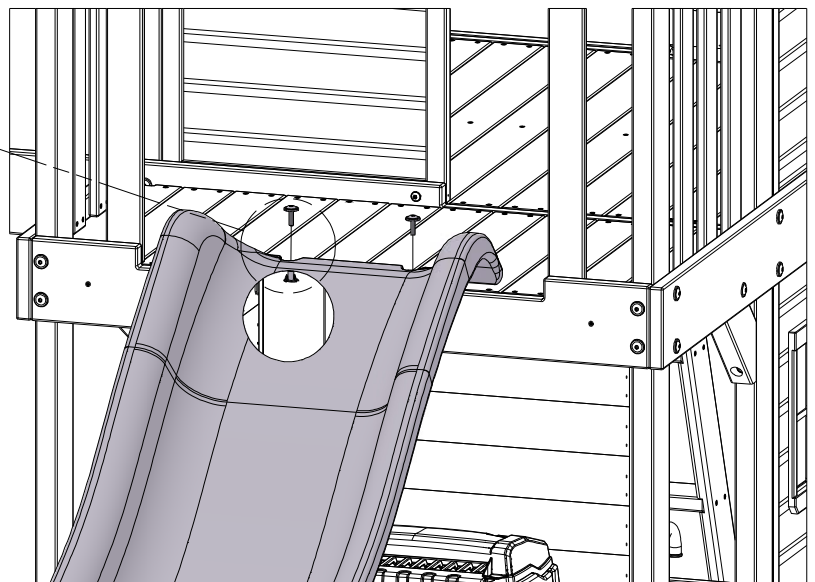
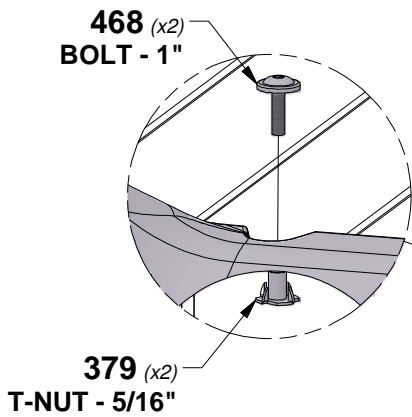
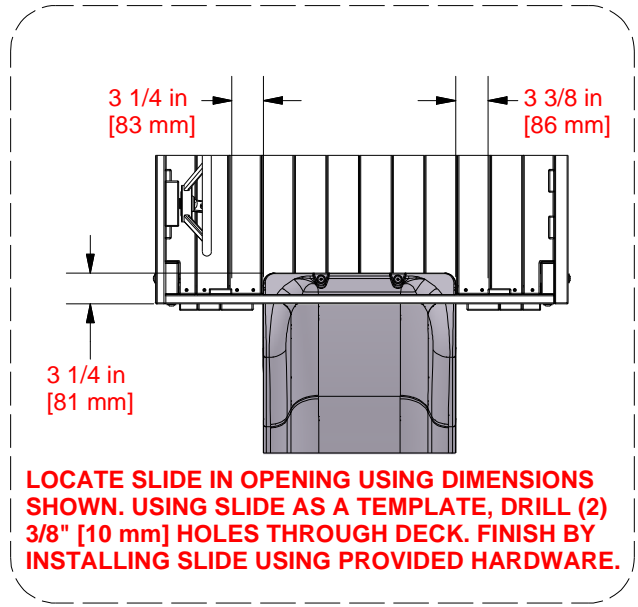
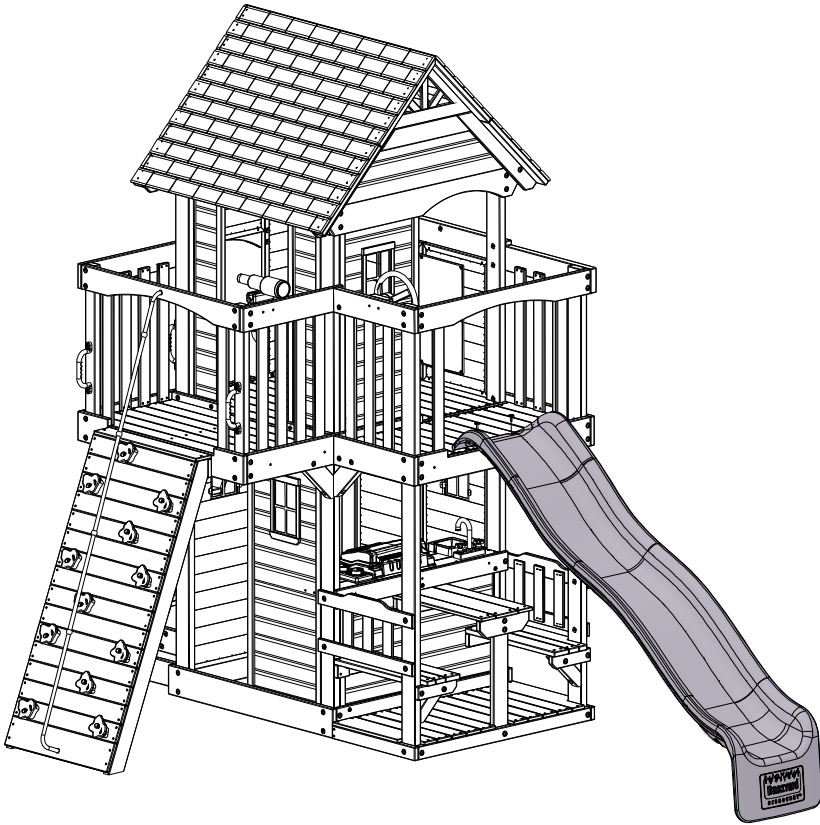


STEP 3 - FINAL ASSEMBLY

| QTY | PART NUMBER | DESCRIPTION |
|-----|-------------|--------------------|
| 2 | H100379 | T-NUT 5/16 BLK |
| 2 | H100468 | BOLT WH 5/16x1 BLK |

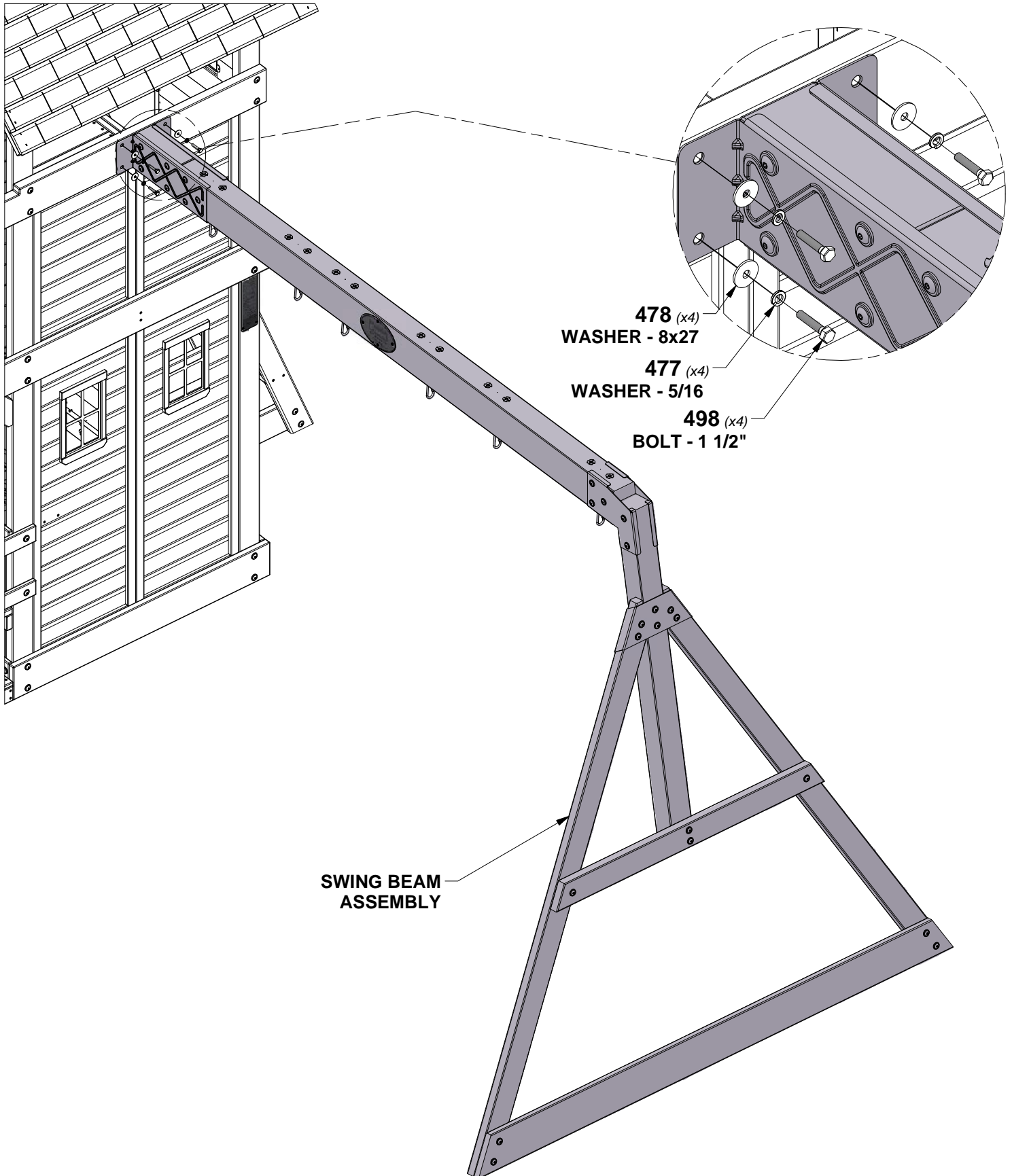


A6P00554
(x1) **8' BLOW MOLDED SLIDE - GREY**



STEP 4 - FINAL ASSEMBLY

| QTY | PART NUMBER | DESCRIPTION |
|-----|-------------|---------------------------|
| 4 | H100477 | WASHER SPLIT 5/16 BLK |
| 4 | H100478 | WASHER FLAT 8x27 BLK |
| 4 | H100498 | BOLT HEX 5/16x1-1/2 - BLK |

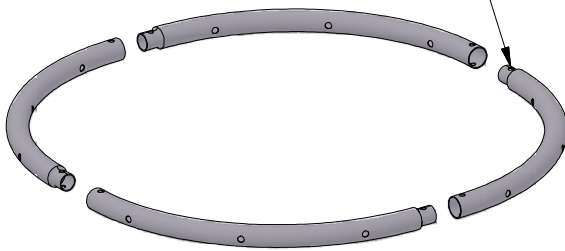


STEP 1 - WEB SWING ASSEMBLY

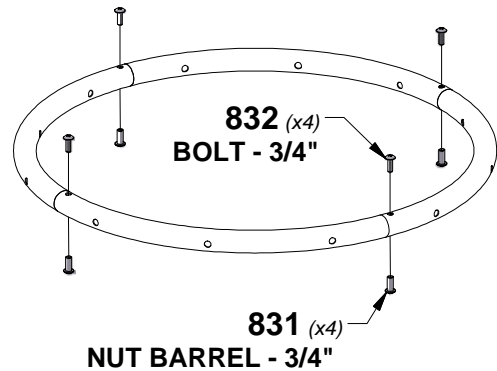
| QTY | PART NUMBER | DESCRIPTION |
|-----|-------------|----------------------------|
| 4 | H100831 | NUT BARREL PTH BLK 1/4x3/4 |
| 4 | H100832 | BOLT PTH 1/4x3/4 |

IMPORTANT: SLIDE ROPE LOOPS OVER TUBE ENDS FIRST!

SLIDE NARROW END OF TUBES INTO LARGER OPENING AFTER SLIDING ROPE LOOPS ONTO TUBES.

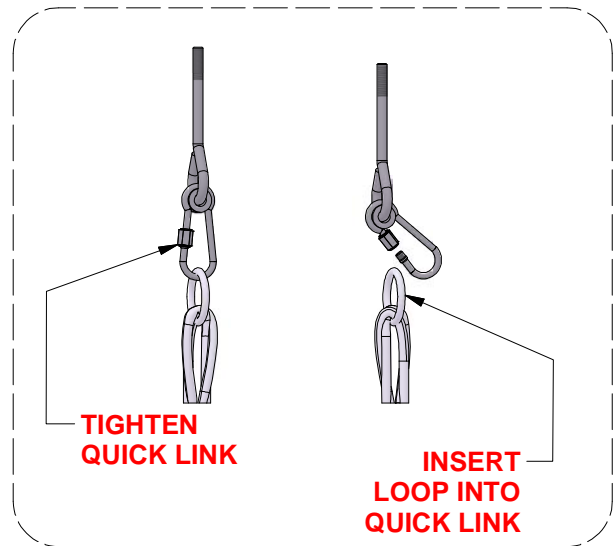


NOTE: ROPE WEBBING NOT SHOWN IN ILLUSTRATION FOR CLARITY.

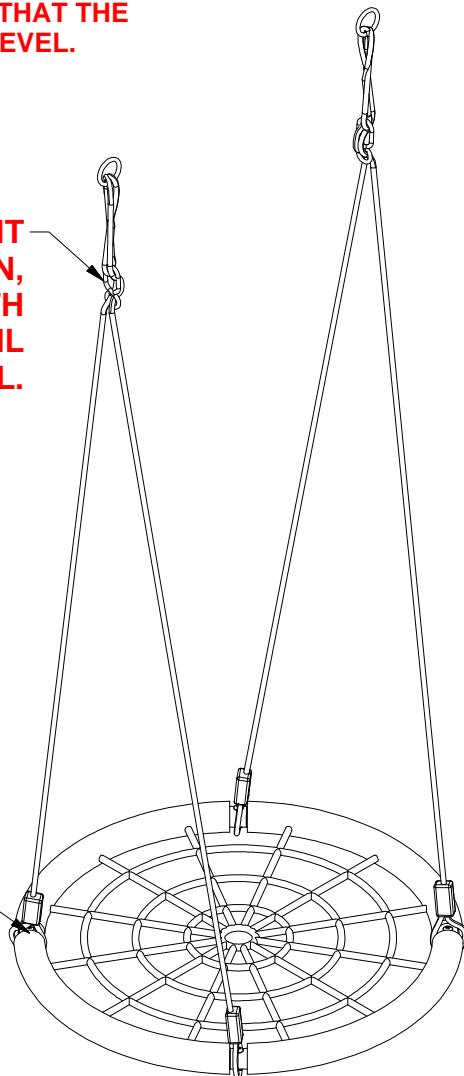


NOTE: IT IS IMPORTANT THAT THE WEB SWING HANG LEVEL.

TO ENSURE STRAIGHT SWINGING MOTION, ADJUST BOTH "S" BRACKETS UNTIL WEB SEAT IS LEVEL.



SWING MUST BE SET AT A MINIMUM OF 8 INCHES OFF THE GROUND WHEN INSTALLED.



STEP 5 - FINAL ASSEMBLY



A4M02256
(x4) **CHAIN BLACK 51.25"**



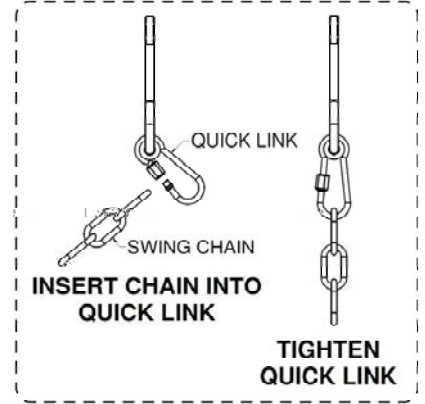
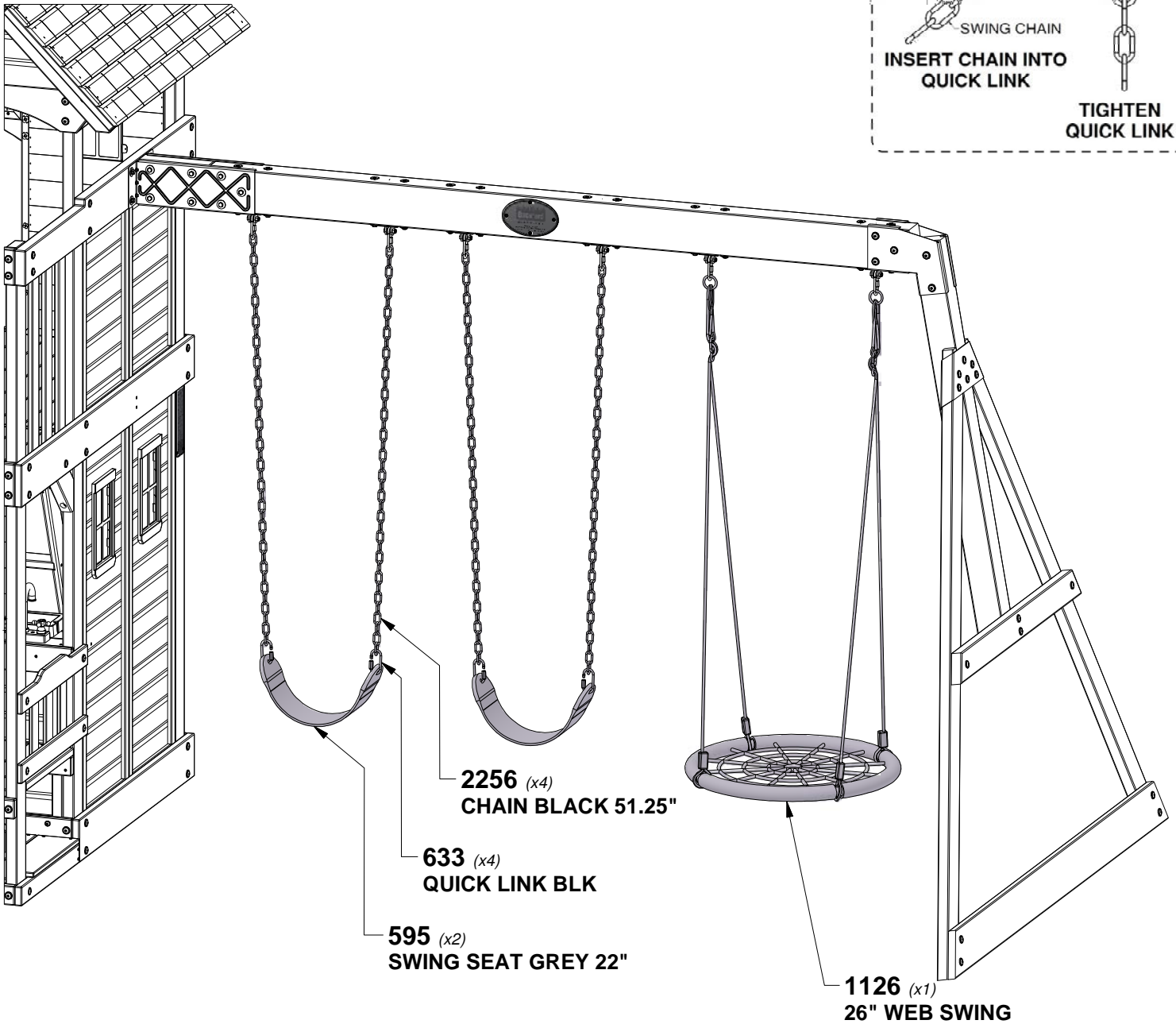
A6P00595
(x2) **SWING SEAT GREY 22"**



A4M00633
(x4) **QUICK LINK BLK**

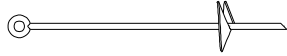


A4M01126
(x1) **26" WEB SWING**



STEP 6 - FINAL ASSEMBLY

| QTY | PART NUMBER | DESCRIPTION |
|-----|-------------|------------------------|
| 6 | H100379 | T-NUT 5/16 BLK |
| 6 | H100459 | BOLT WH 5/16x1 1/4 BLK |



A4M02252 AUGER GROUND STAKE
(x6)

TWIST GROUND STAKE INTO GROUND AT LOCATIONS SHOWN. USING AUGER STAKE AS A GUIDE, DRILL A 3/8" [10mm] HOLE FOR HARDWARE.

