



Manufactured by:
Backyard Discovery
3305 Airport Drive, Pittsburg,
KS 66762 800-856-4445

Basepoint Business Centre: Rivermead Drive, Westlea, Swindon SN5 7EX Phone: 0800-118-2476
J.P. Coenstraat 7, The Bridge, The Hague, 2595 WP, Netherlands Phone: 08005678990

12x10 BRENDAN SAIL SHADE PERGOLA

MODEL # : 2305076



Please visit www.backyarddiscovery.com
For the most up to date assembly manual, to register your product, or to order
replacement parts *Para obtener instrucciones en español, visite*
www.backyarddiscovery.com



**EASY STEP-BY-STEP
3D INTERACTIVE INSTRUCTIONS**

DOWNLOAD THE FREE APP



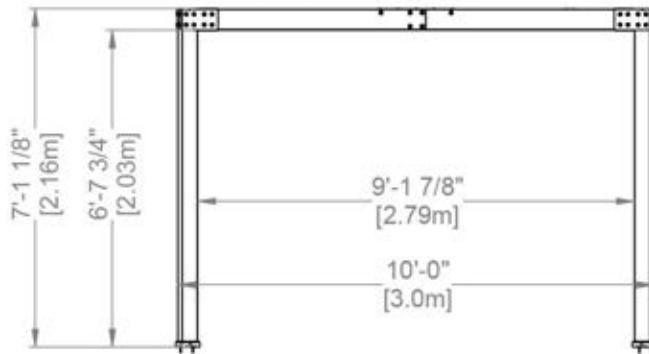
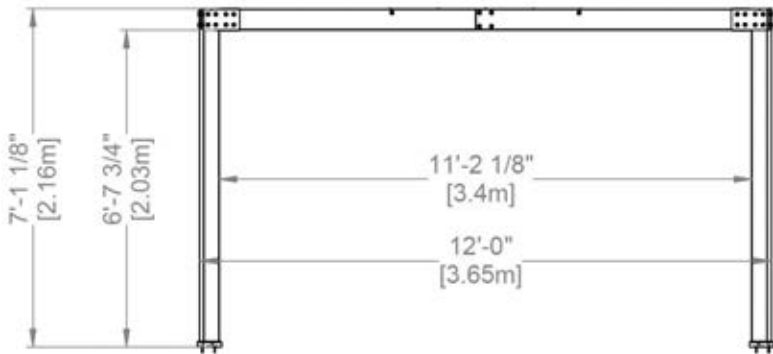
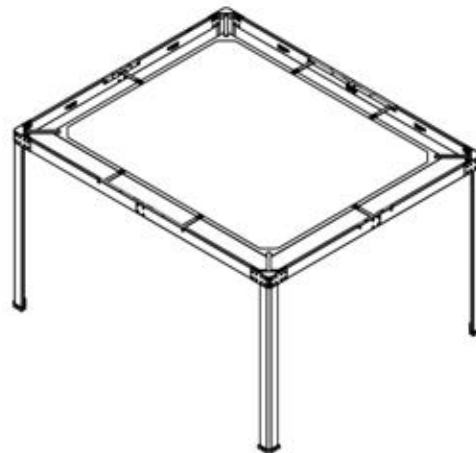
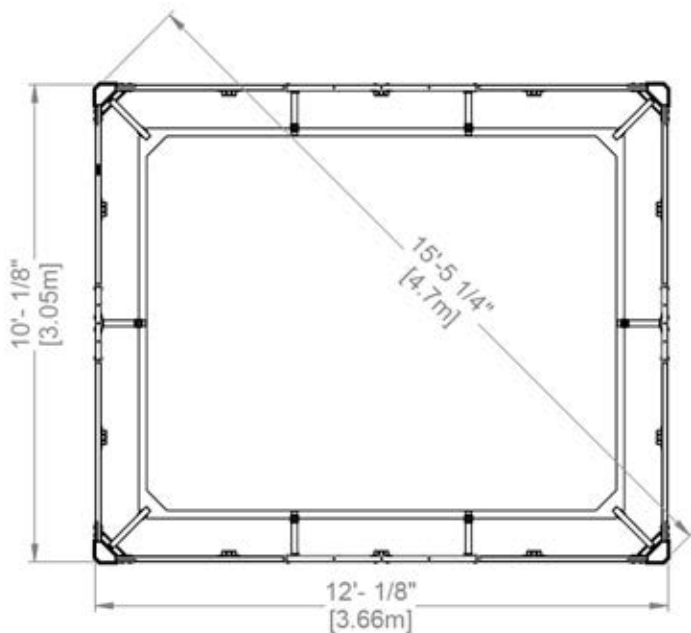
OWNER'S MANUAL - BASIC SETUP DIMENSIONS & ASSEMBLY NOTES

It is critically important that you start with square and level footings, concrete pad or deck to attach your structure

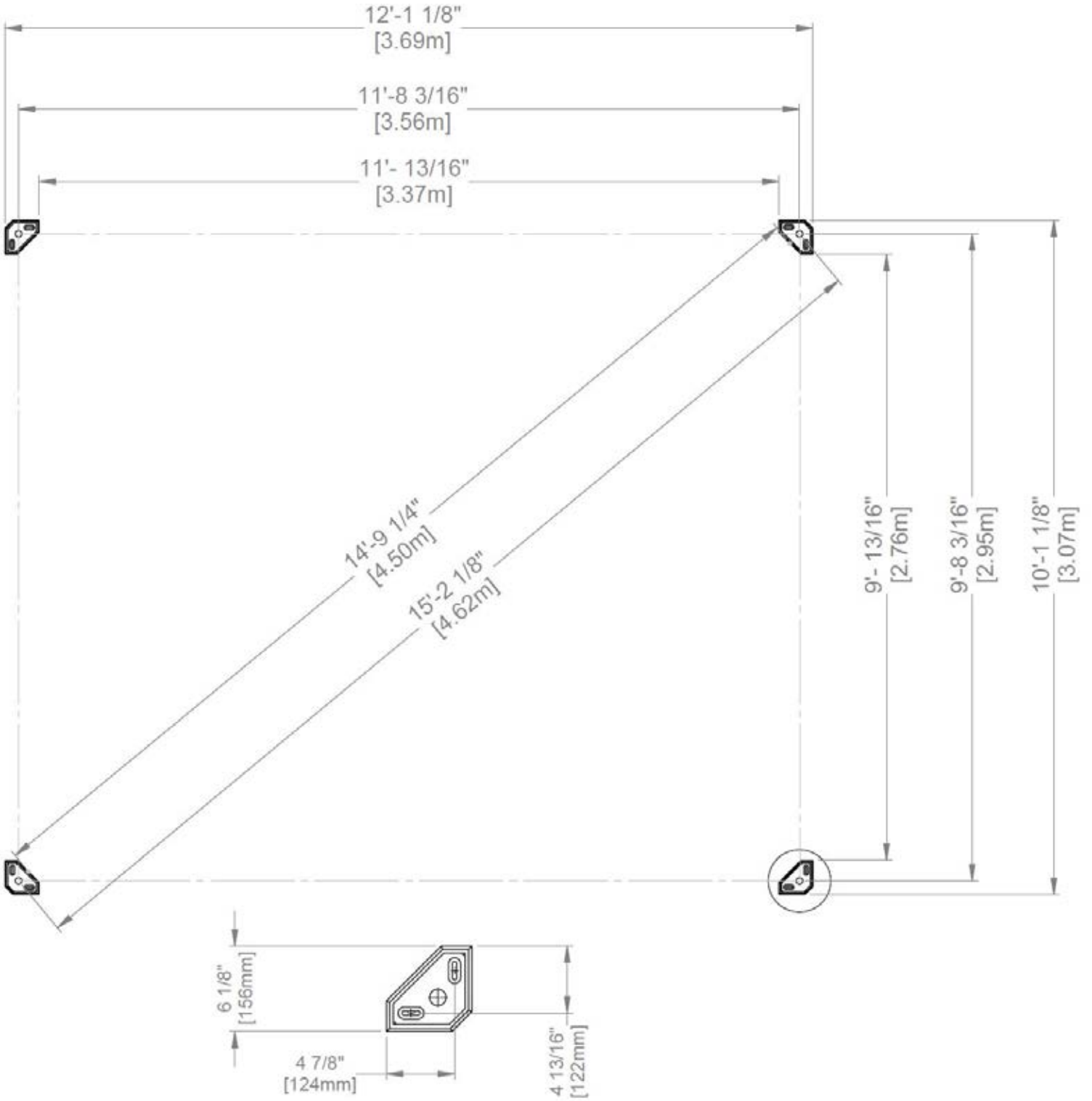
- Pay close attention to the items needed for each step. Make sure you are using the correct hardware for each step.
- Using incorrect hardware may result in improper assembly
- Remember to double check for underground utilities and overhead electrical lines

Post mounts are provided with your structure which allows you to permanently install your structure to a pre-existing or new wood or concrete surface. See Anchor Instructions for further details and recommendations.

- The hardware to attach the post mounts to the structure is included.
- The hardware to mount the structure permanently to a concrete surface is included.
- The hardware to mount the structure permanently to a wood deck is NOT included and will need to be purchased separately. You must ensure there is ample structural support under the deck before permanently attaching.



OWNER'S MANUAL - ANCHORING LAYOUT

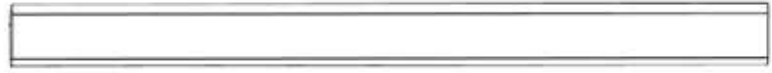


OWNER'S MANUAL - PARTS IDENTIFICATION

WOOD COMPONENTS (NOT TO SCALE)



D01 BEAM - W2A04022
(x1) 1 7/16"x5 1/4"x57 7/16" (36x134x1460)



P01 TRIANGULAR POST - W2A04021
(x4) 5 1/16"x5 1/16"x84 1/2" (131x131x2148)

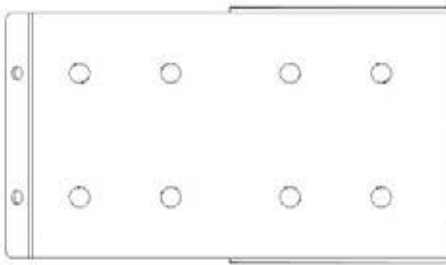


D02 BEAM - W4L19103
(x3) 1 7/16"X5 1/4"X57 7/16" (36x134x1460)



D03 BEAM - W4L19104
(x4) 1 7/16"X5 1/4"X69 7/16" (36x134x1764)

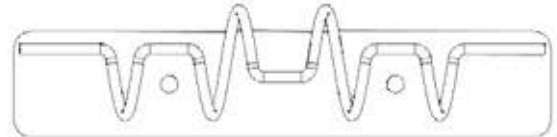
ACCESSORY COMPONENTS (NOT TO SCALE)



A4M02491 POST BRACKET
(x8)



A4M02511 LONG BEAM BRACE
(x2)



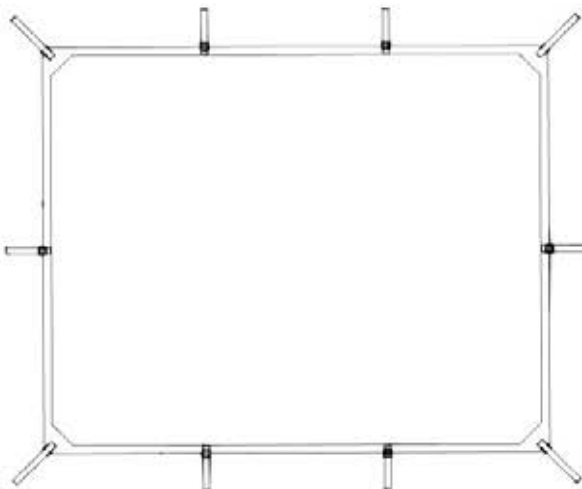
A4M02608 ACCESSORY BRACKET
(x10)



A4M02609 CORNER TARP BRACKET
(x4)



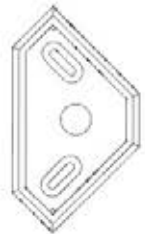
A4M02512 SHORT BEAM BRACE
(x2)



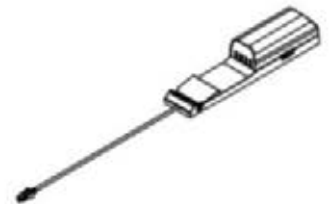
A6P00750 TARP
(x1)



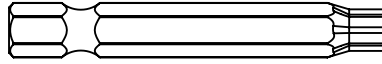
A4M02158 BYD ID TAG PATIO
(x1)



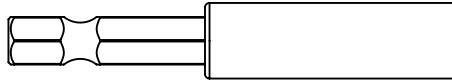
A6P00751 TRIANGULAR POST FOOT
(x4)



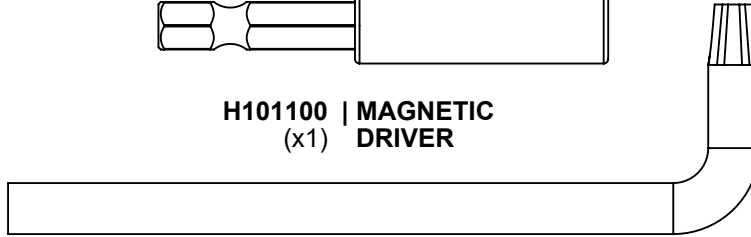
9205413 ELECTRICAL ENCLOSURE
(x1)



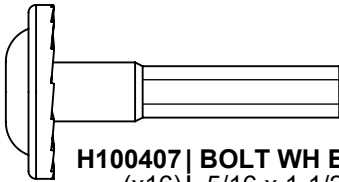
H100147 | TORX BIT
(x1) | T-30



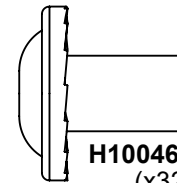
H101100 | MAGNETIC DRIVER
(x1)



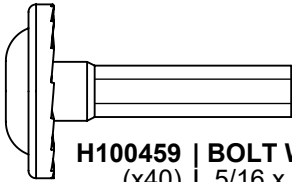
H100114 | TORX WRENCH
(x1) | T-30



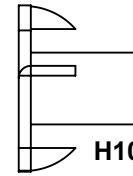
H100407 | BOLT WH BLK
(x16) | 5/16 x 1-1/2



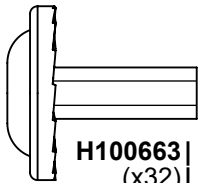
H100469 | NUT BARREL WH BLK
(x32) | 5/16 x 5/8



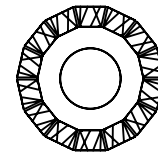
H100459 | BOLT WH BLK
(x40) | 5/16 x 1-1/4



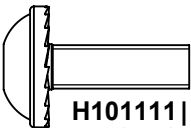
H100379 | T-NUT BLK
(x24) | 5/16



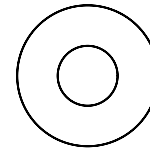
H100663 | BOLT WH BLK
(x32) | 5/16 x 3/4



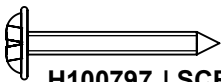
H100198 | WASHER LOCK EXT BLK
(x24) | 8 x 19



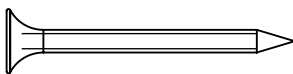
H101111 | BOLT WH BLK
(x16) | 1/4 x 3/4



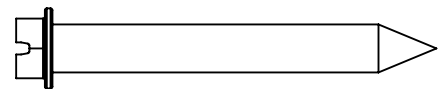
H100630 | WASHER FLAT BLK
(x8) | 8 x 19



H100797 | SCREW PWH BLK
(x52) | 8 x 1



H100200 | SCREW PFH BLK
(x16) | 8 x 1 1/2



H100120 | CONCRETE ANCHOR
(x8) | 1/4 x 2

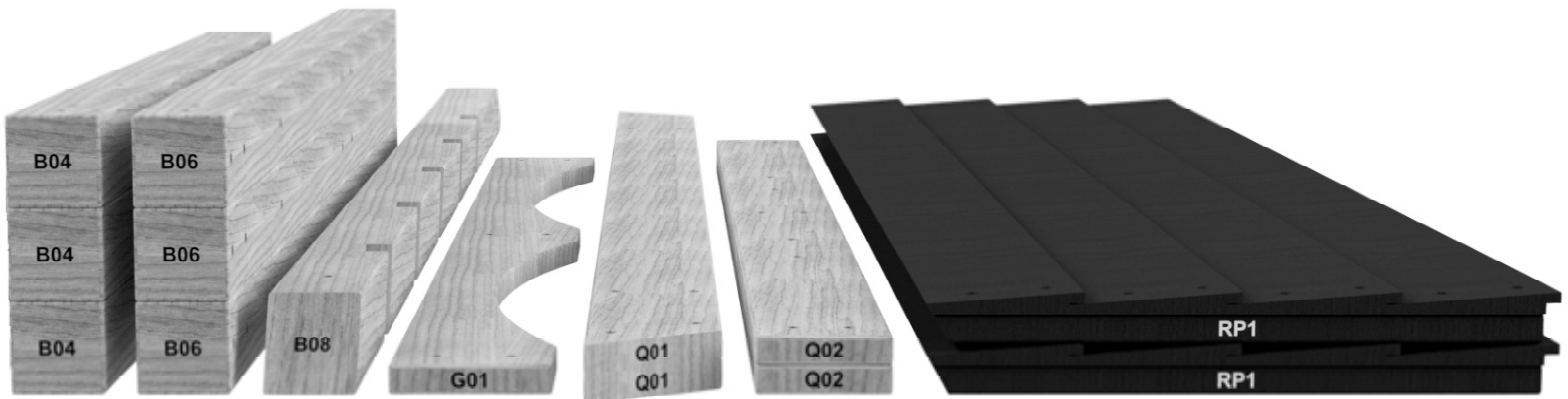
PRE-ASSEMBLY STEP 1 - SORTING PARTS

It is critical for ease of assembly that you take the time to sort and organize the wood and hardware.

WOOD PARTS:

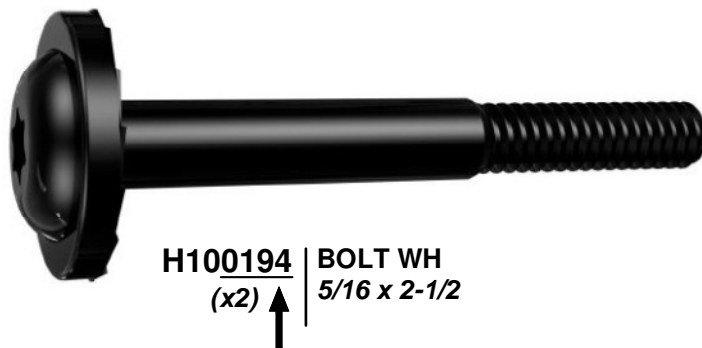
- Organize wood parts by the three-digit, alpha-numeric number stamped on each board (ex. P01).
- If there are multiple boards with the same stamped number, stack those pieces together.
- Stamps can be found on the flat surface of the boards or on the end of the boards.
- Allow yourself plenty of room - the wood pieces can take up a significant amount of space.

NOTE: CARTONS ARE NOT ORGANIZED BY BOARD NUMBER.



HARDWARE PARTS:

- We recommend that you have a separate table to organize the hardware.
- Hardware bags are printed with a seven-digit, alpha-numeric part number.
- You can organize your hardware by part number or group by hardware type (i.e. bolts, nuts, etc.).
- During assembly you only need to reference the last four digits of the number.



PRE-ASSEMBLY STEP 2 - TOOLS REQUIRED



**Cordless Drill or
Electric Drill**



**Drill Attachments:
Phillips Head**



**1/8", 3/16", 3/8" & 7/16"
Drill Bits**



Phillips Screw Driver



Open End Wrenches 1/2" & 9/16"



**3/8" Drive Ratchet, 1/2" &
9/16" STD Sockets 1/2" & 9/16" Deep
Sockets**



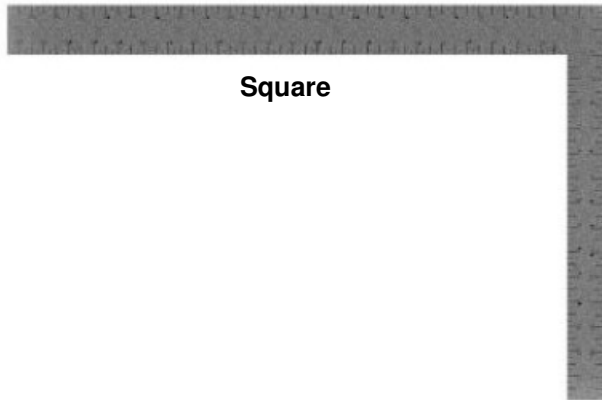
Claw Hammer



Rubber Mallet - Optional



Tape Measure



Square

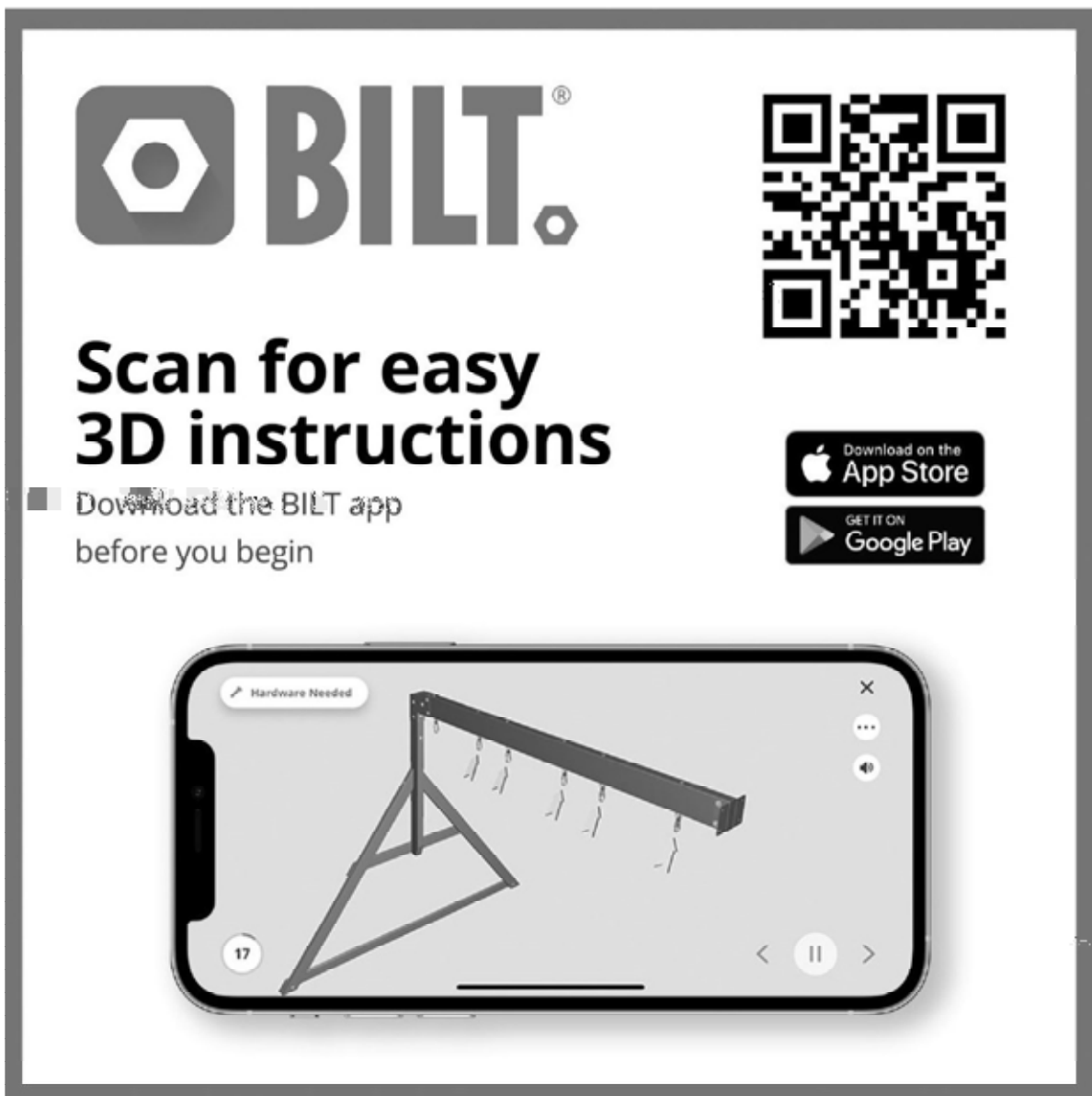


Level 24"

PRE-ASSEMBLY STEP 3 - CHOOSE YOUR ASSEMBLY METHOD

There are several types of assembly instructions available to you.

1. Printed Assembly Manual included with your set
2. BILT APP - 3D interactive instructions
3. Combination of the Printed Manual and BILT APP (Note: Step numbers can differ between the two methods)



The advertisement features the BILT logo, a QR code, and text encouraging users to scan for 3D instructions. It includes download buttons for the App Store and Google Play, and a smartphone mockup showing the app's interface with a 3D assembly diagram.

BILT.[®]

Scan for easy
3D instructions

Download the BILT app
before you begin

Download on the
App Store

GET IT ON
Google Play

Hardware Needed

17

STEP 1 - SHORT BEAM ASSEMBLY

Qty	PartNo	BOM DESCRIPTION
2	H100379	T-NUT 5/16 BLK
4	H100469	NUT BARREL WH 5/16X5/8 BLK
6	H100459	BOLT WH 5/16x1 1/4 BLK
6	H100198	WASHER LOCK EXT 8x19
7	H100797	SCREW PWH 8x1 BLK



D01 BEAM - W2A04022
(x1) 1 7/16"x5 1/4"x57 7/16" (36x134x1460)



D02 BEAM - W4L19103
(x1) 1 7/16"X5 1/4"X57 7/16" (36x134x1460)

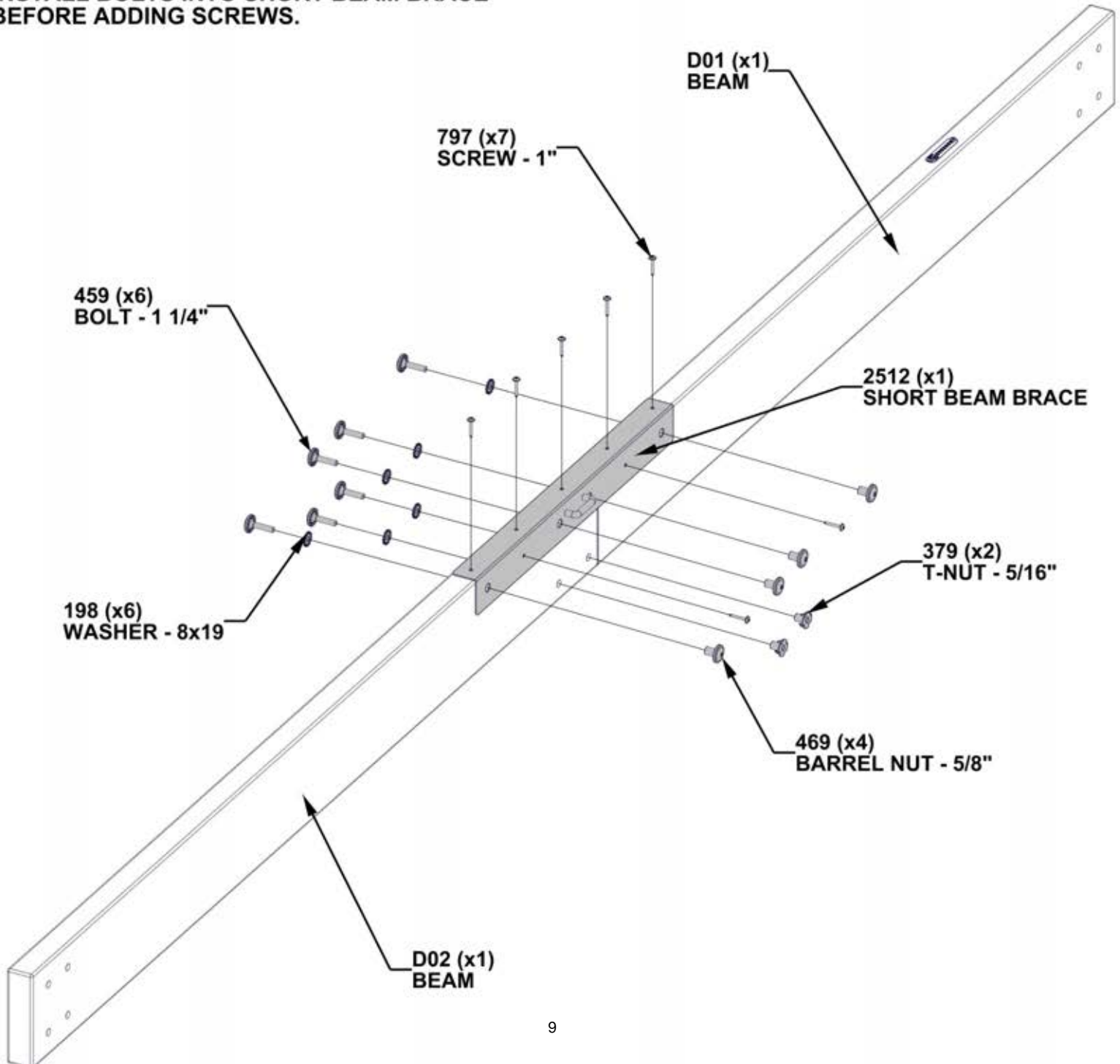


A4M02512 SHORT BEAM BRACE
(x1)

- INSERT T-NUTS FIRST

- ALIGN SHORT BEAM BRACE WITH PILOT HOLES.
NOTE SCREW HOLES WILL FACE UPWARD.

- INSTALL BOLTS INTO SHORT BEAM BRACE
BEFORE ADDING SCREWS.



STEP 2 - SHORT BEAM ASSEMBLY



D02 BEAM - W4L19103
(x2) 1 7/16"X5 1/4"X57 7/16" (36x134x1460)

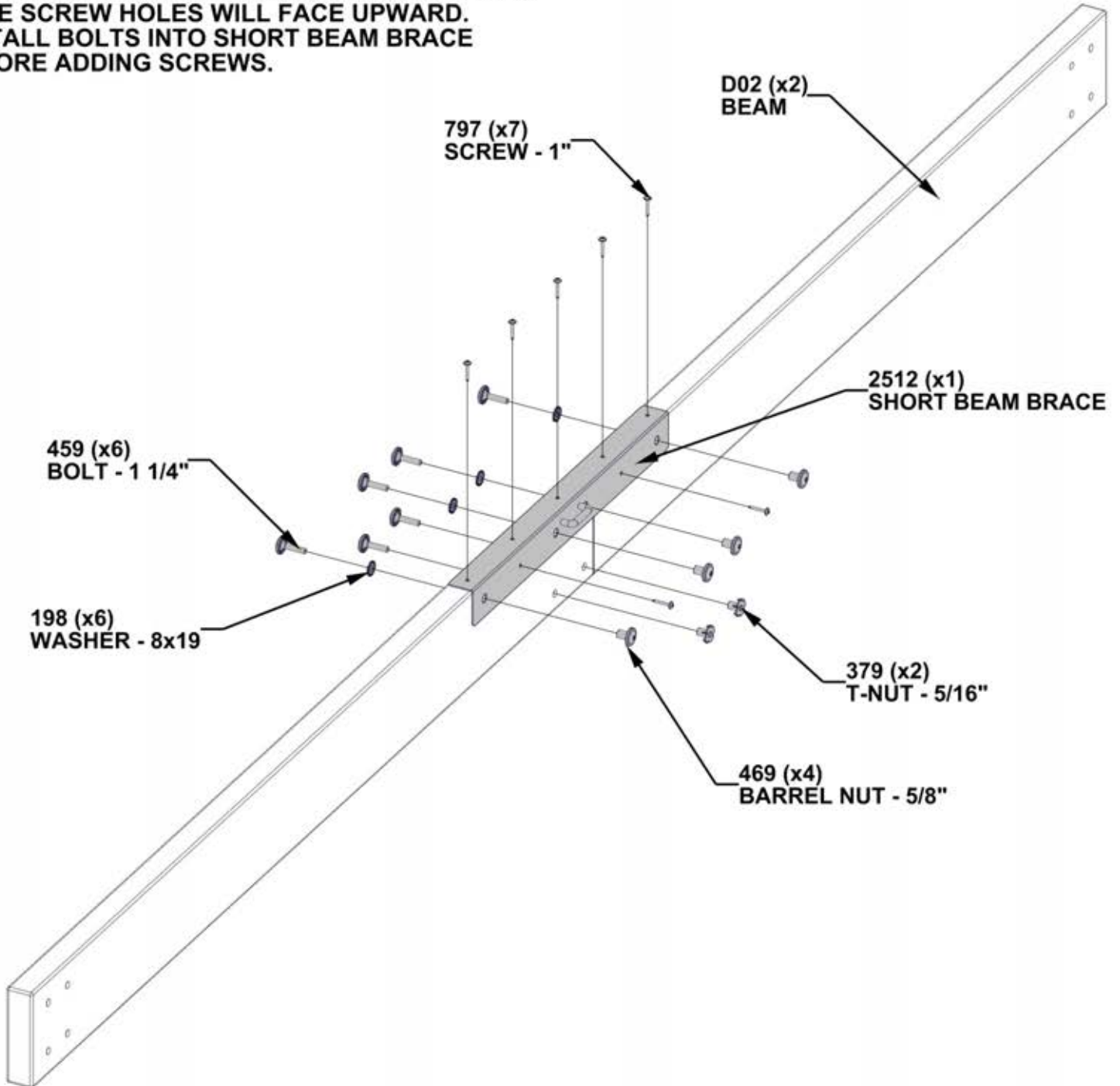


A4M02512 SHORT BEAM BRACE
(x1)

Qty	PartNo	BOM DESCRIPTION
2	H100379	T-NUT 5/16 BLK
4	H100469	NUT BARREL WH 5/16X5/8 BLK
6	H100459	BOLT WH 5/16x1 1/4 BLK
6	H100198	WASHER LOCK EXT 8x19
7	H100797	SCREW PWH 8x1 BLK

- INSERT T-NUTS FIRST

- ALIGN SHORT BEAM BRACE WITH PILOT HOLES. NOTE SCREW HOLES WILL FACE UPWARD.
- INSTALL BOLTS INTO SHORT BEAM BRACE BEFORE ADDING SCREWS.



STEP 3 - LONG BEAM ASSEMBLY



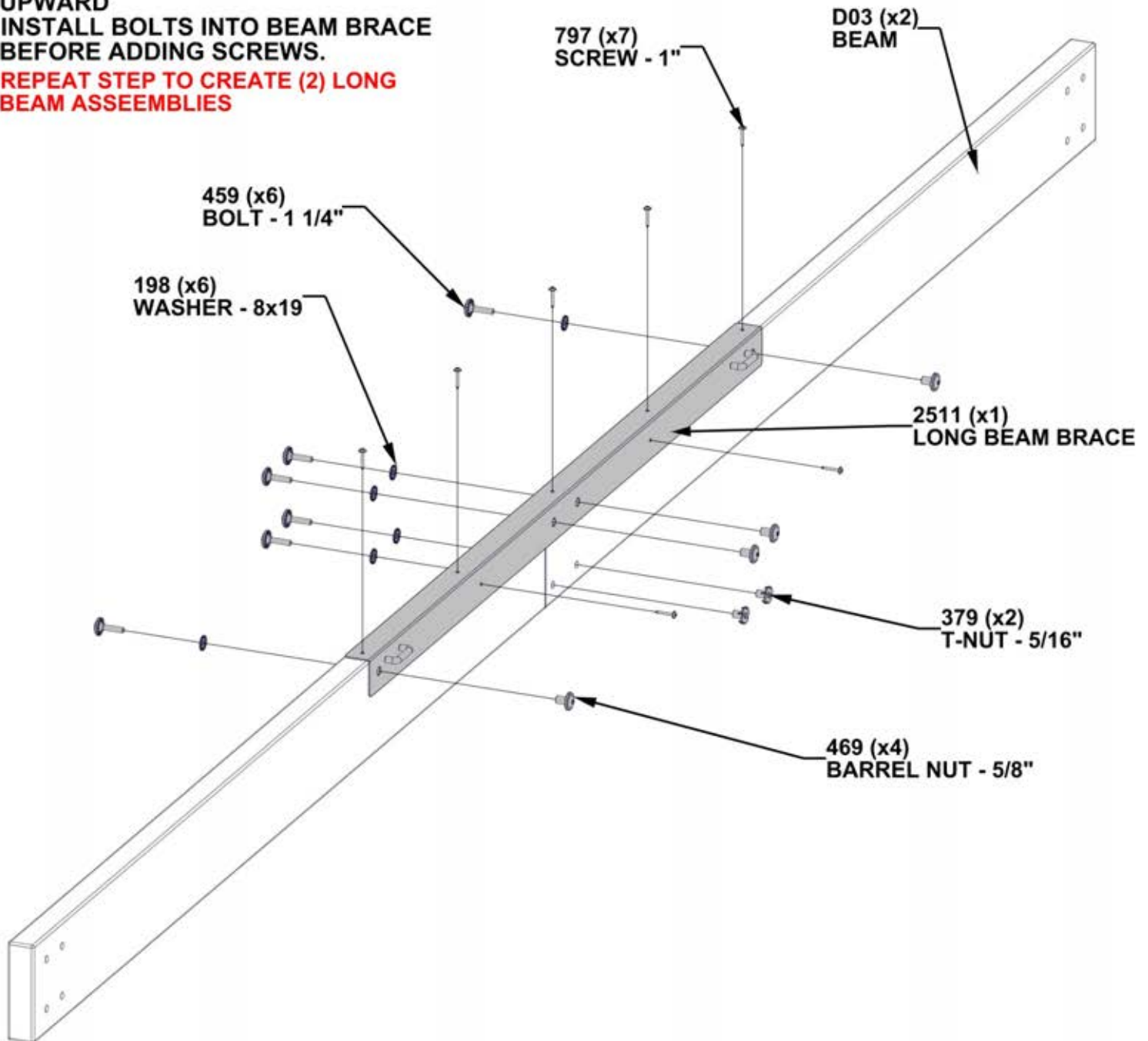
D03 BEAM - W4L19104
(x4) 1 7/16"X5 1/4"X69 7/16" (36x134x1764)



A4M02511 LONG BEAM BRACE
(x2)

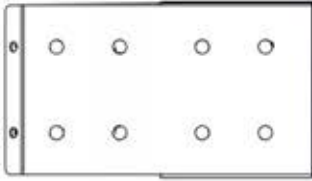
Qty	PartNo	BOM DESCRIPTION
4	H100379	T-NUT 5/16 BLK
8	H100469	NUT BARREL WH 5/16X5/8 BLK
12	H100459	BOLT WH 5/16x1 1/4 BLK
12	H100198	WASHER LOCK EXT 8x19
14	H100797	SCREW PWH 8x1 BLK

- INSERT T-NUTS FIRST
- ALIGN LONG BEAM BRACE WITH PILOT HOLES. NOTE SCREW HOLES WILL FACE UPWARD
- INSTALL BOLTS INTO BEAM BRACE BEFORE ADDING SCREWS.
- REPEAT STEP TO CREATE (2) LONG BEAM ASSEMBLIES



STEP 4 - POST BRACKET ASSEMBLY

Qty	PartNo	BOM DESCRIPTION
16	H101111	BOLT WH 1/4x3/4 BLK
32	H100663	BOLT WH 5/16x3/4 BLK

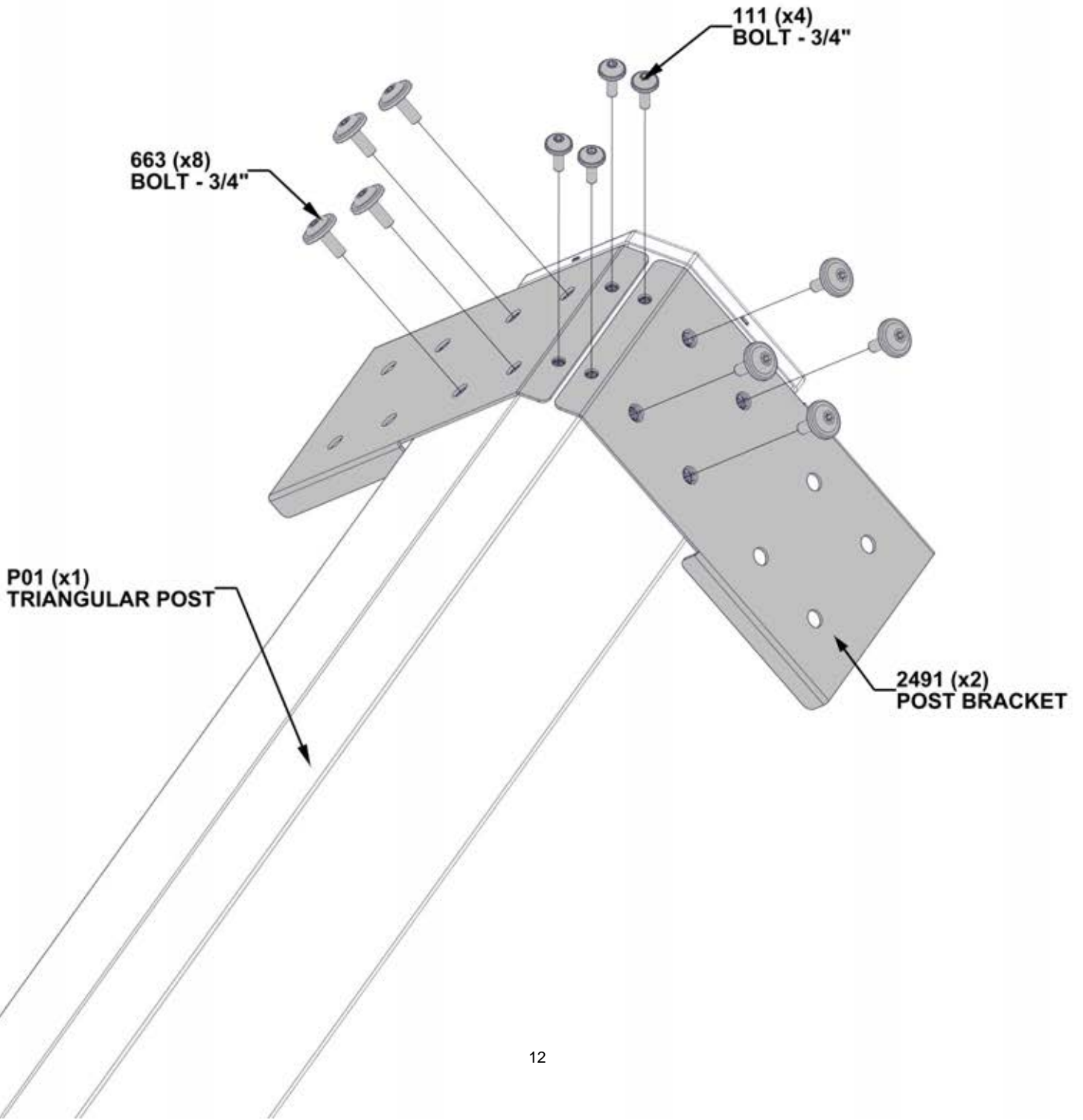


A4M02491 POST BRACKET
(x8)



P01 TRIANGULAR POST - W2A04021
(x4) 5 1/16"x5 1/16"x84 1/2" (131x131x2148)

- REPEAT THIS STEP FOR EACH POST



STEP 5 - 10FT SIDE ASSEMBLY

Qty	PartNo	BOM DESCRIPTION
8	H100379	T-NUT 5/16 BLK
8	H100407	BOLT WH 5/16x1 1/2 BLK



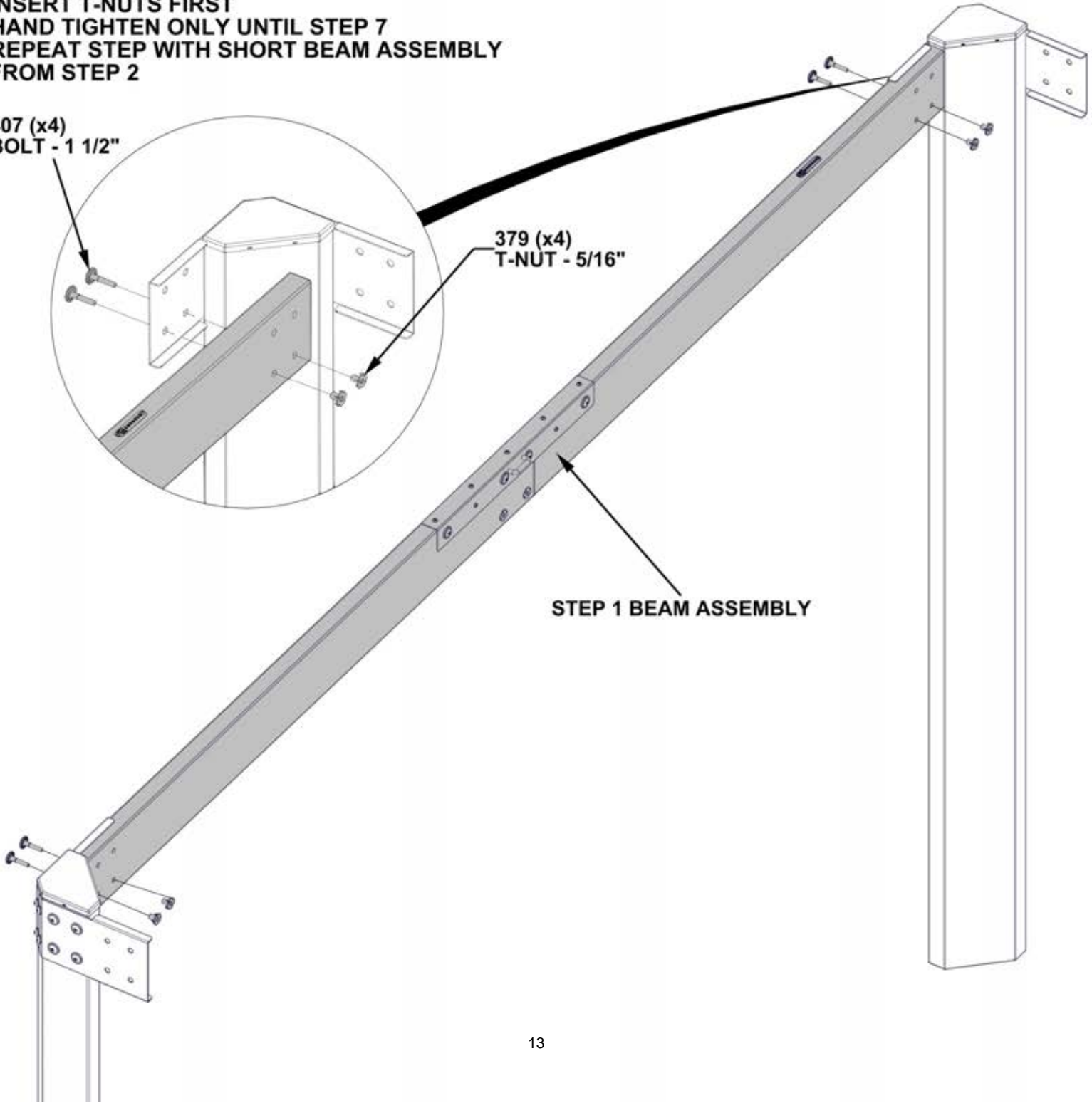
STEP 1 BEAM ASSEMBLY (x1)

- EXTRA HELP WILL BE NEEDED FOR THE NEXT FEW STEPS
- INSERT T-NUTS FIRST
- HAND TIGHTEN ONLY UNTIL STEP 7
- REPEAT STEP WITH SHORT BEAM ASSEMBLY FROM STEP 2

407 (x4)
BOLT - 1 1/2"

379 (x4)
T-NUT - 5/16"

STEP 1 BEAM ASSEMBLY

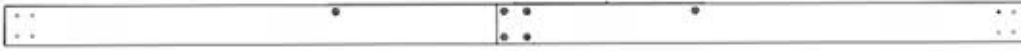


STEP 6 - 12FT SIDE ASSEMBLY

Qty	PartNo	BOM DESCRIPTION
8	H100379	T-NUT 5/16 BLK
16	H100469	NUT BARREL WH 5/16X5/8 BLK
16	H100459	BOLT WH 5/16x1 1/4 BLK
8	H100407	BOLT WH 5/16x1 1/2 BLK



A4M02609 CORNER TARP BRACKET (x4)



STEP 3 BEAM ASSEMBLY (x2)

- EXTRA HELP WILL BE NEEDED FOR THIS STEP
- INSERT T-NUTS FIRST
- HAND TIGHTEN HARDWARE UNTIL STEP 7
- REPEAT STEP WITH EACH LONG BEAM ASSEMBLY FROM STEP 3

459 (x8)
BOLT - 1 1/4"

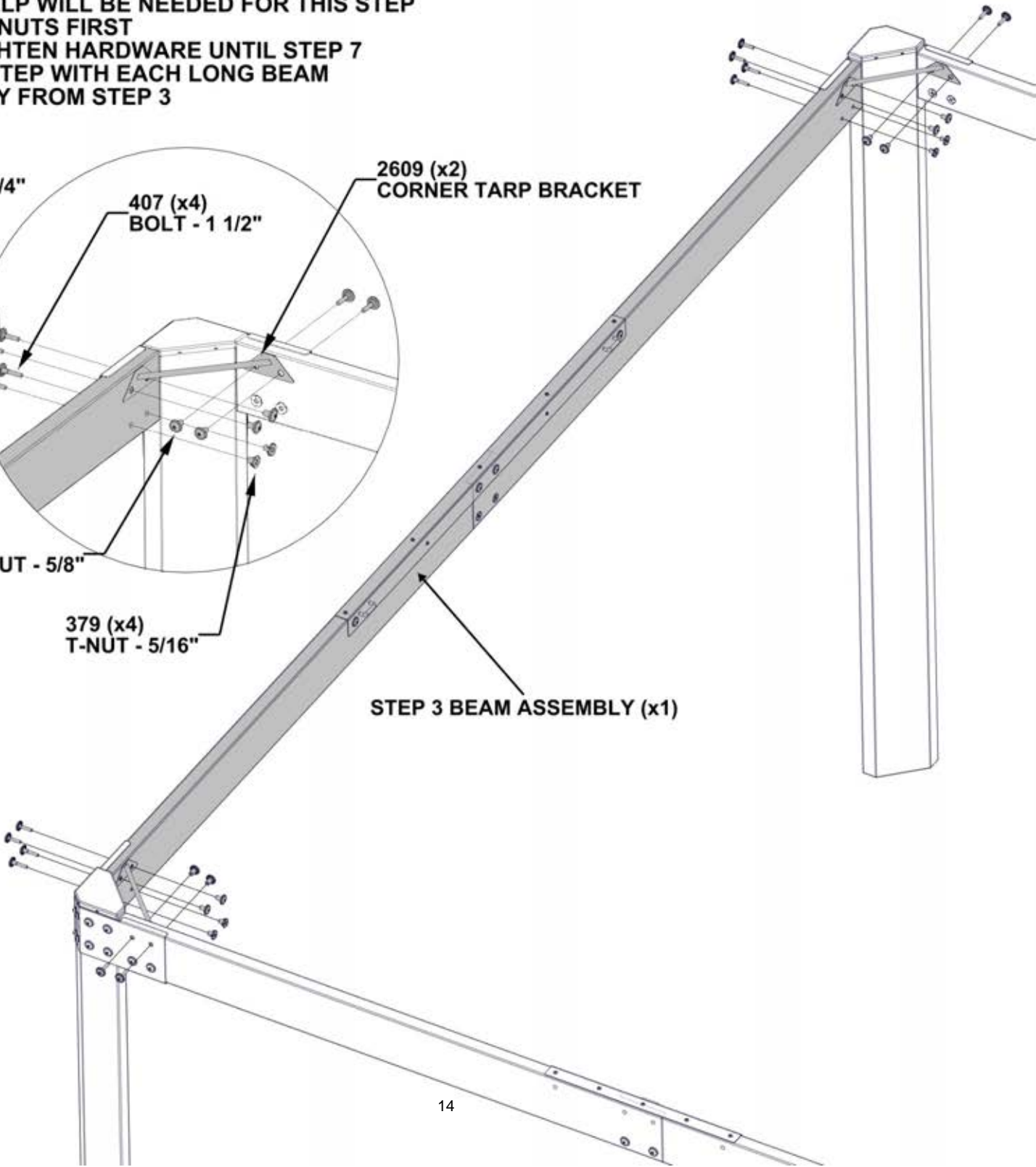
407 (x4)
BOLT - 1 1/2"

2609 (x2)
CORNER TARP BRACKET

469 (x8)
BARREL NUT - 5/8"

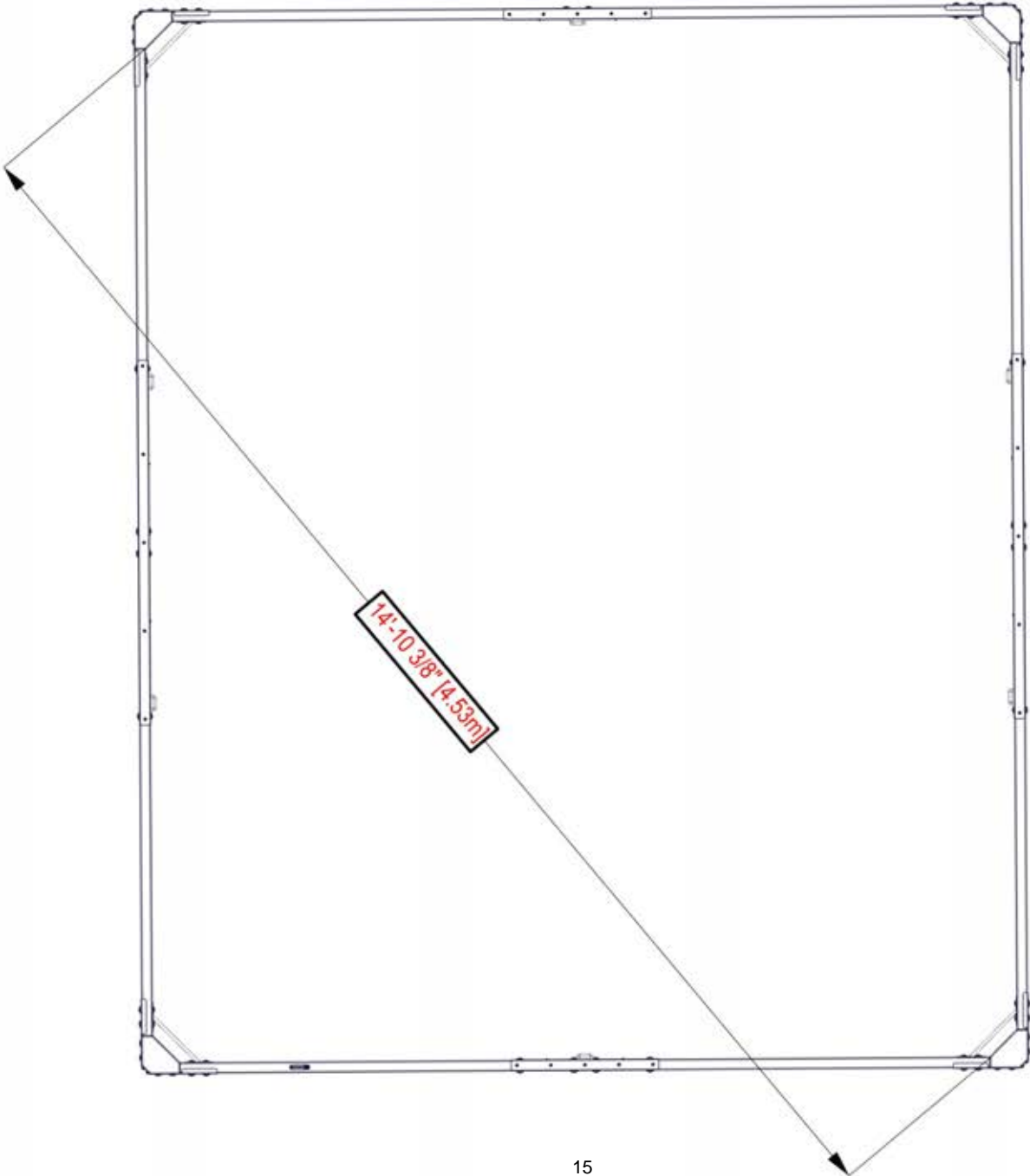
379 (x4)
T-NUT - 5/16"

STEP 3 BEAM ASSEMBLY (x1)

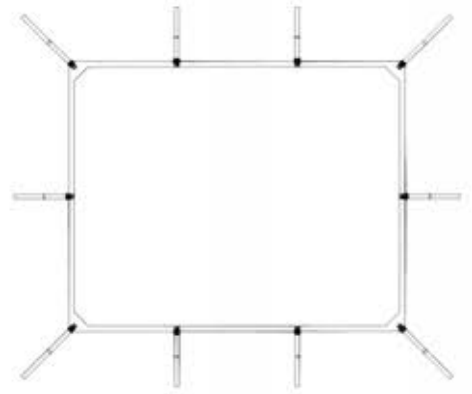


STEP 7 - SQUARE UNIT AND TIGHTEN ALL HARDWARE

CRITICAL NOTE: SQUARE UNIT BEFORE PROCEEDING TO NEXT STEPS. ONCE SQUARE, TIGHTEN ALL HARDWARE



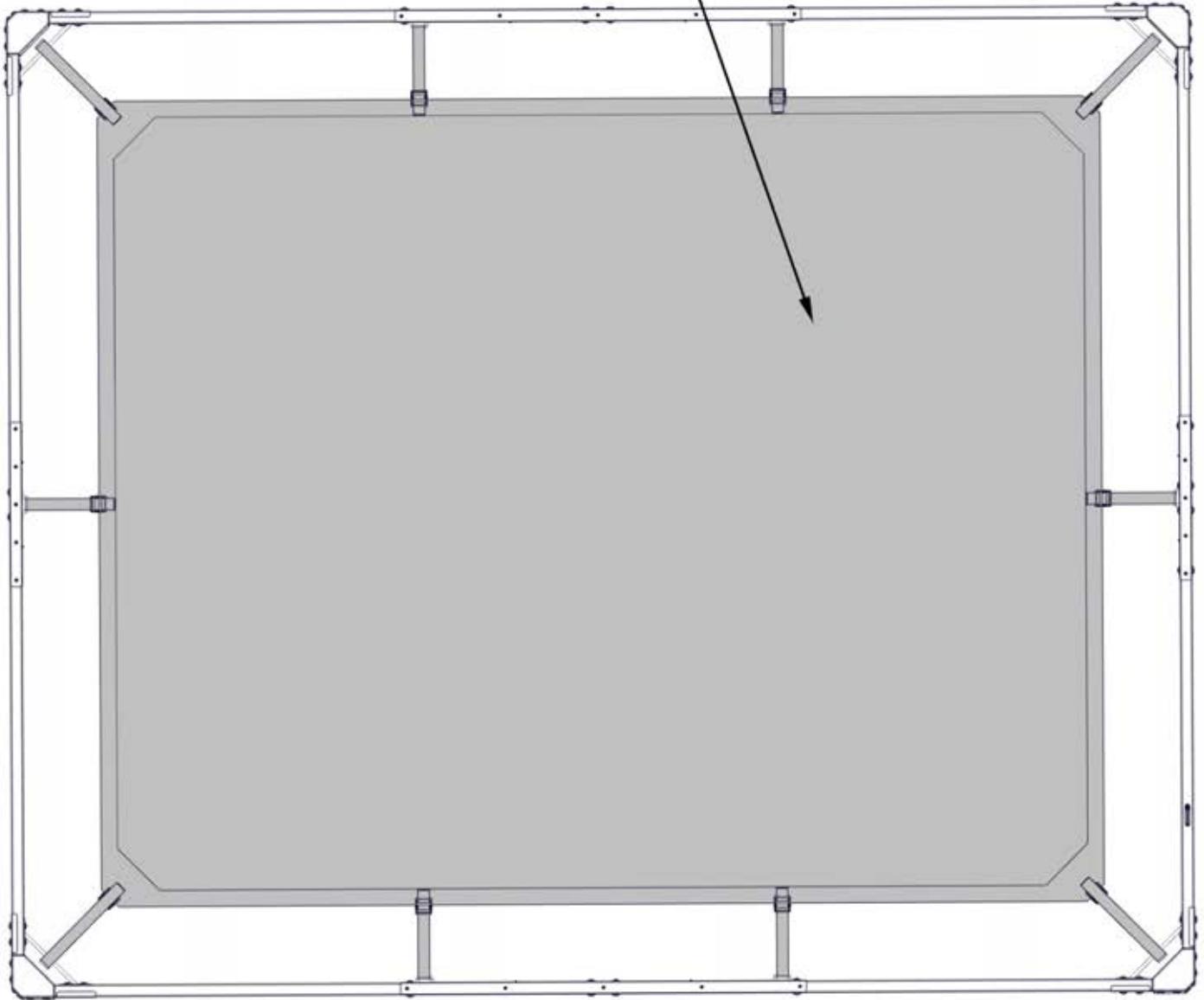
STEP 8A - SAIL SHADE INSTALLATION



A6P00750 12X10 SHADE
(x1)

- TARP STRAPS WILL WRAP AROUND RODS ON BRACKETS AS SHOWN IN STEP 8B.
- METAL CLIPS WILL BE ON TOP OF TARP

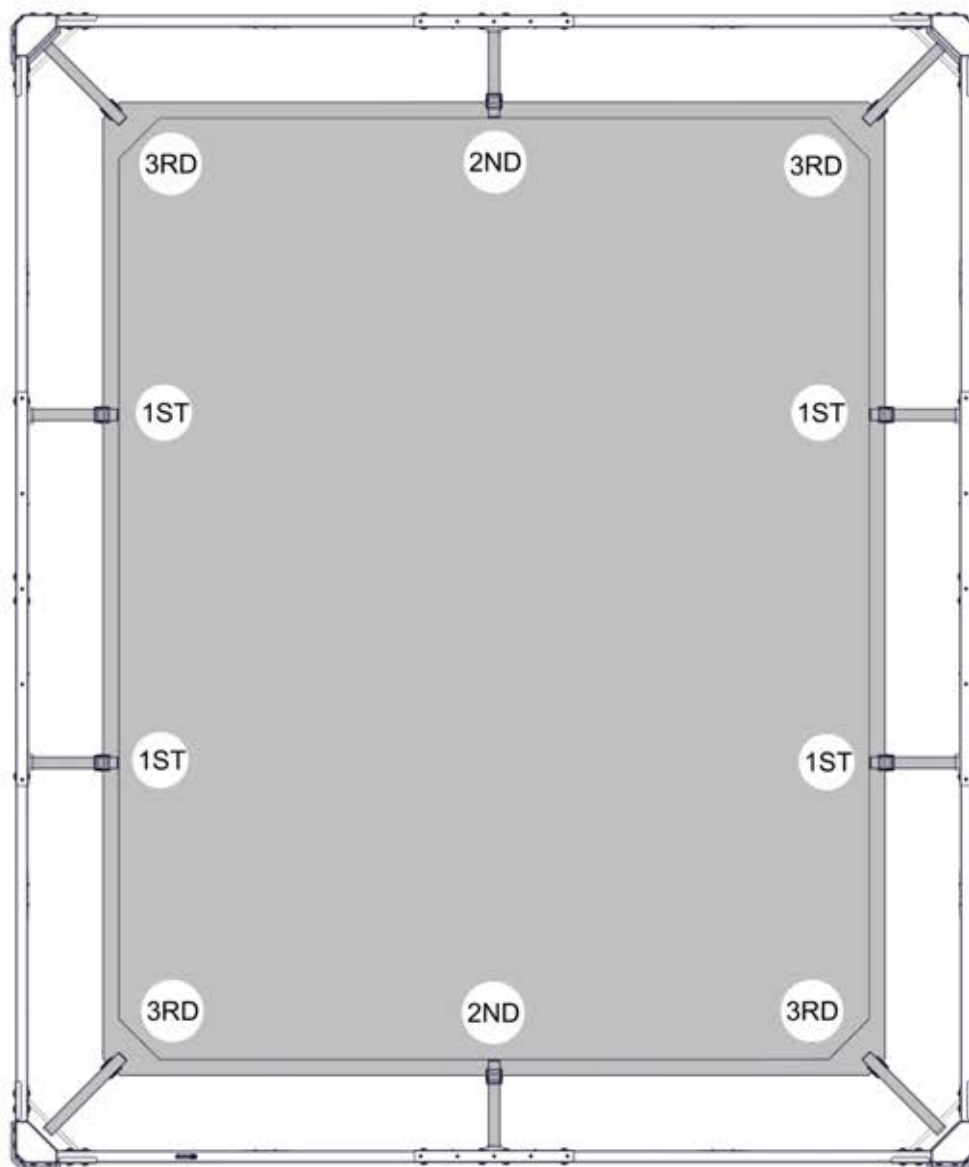
750 (x1)
12X10 SHADE



STEP 8B - SAIL SHADE INSTALLATION

DO NOT FULLY TIGHTEN STRAPS UNTIL ALL STRAPS ARE IN PLACE AND SAIL SHADE IS ATTACHED TO THE FRAME

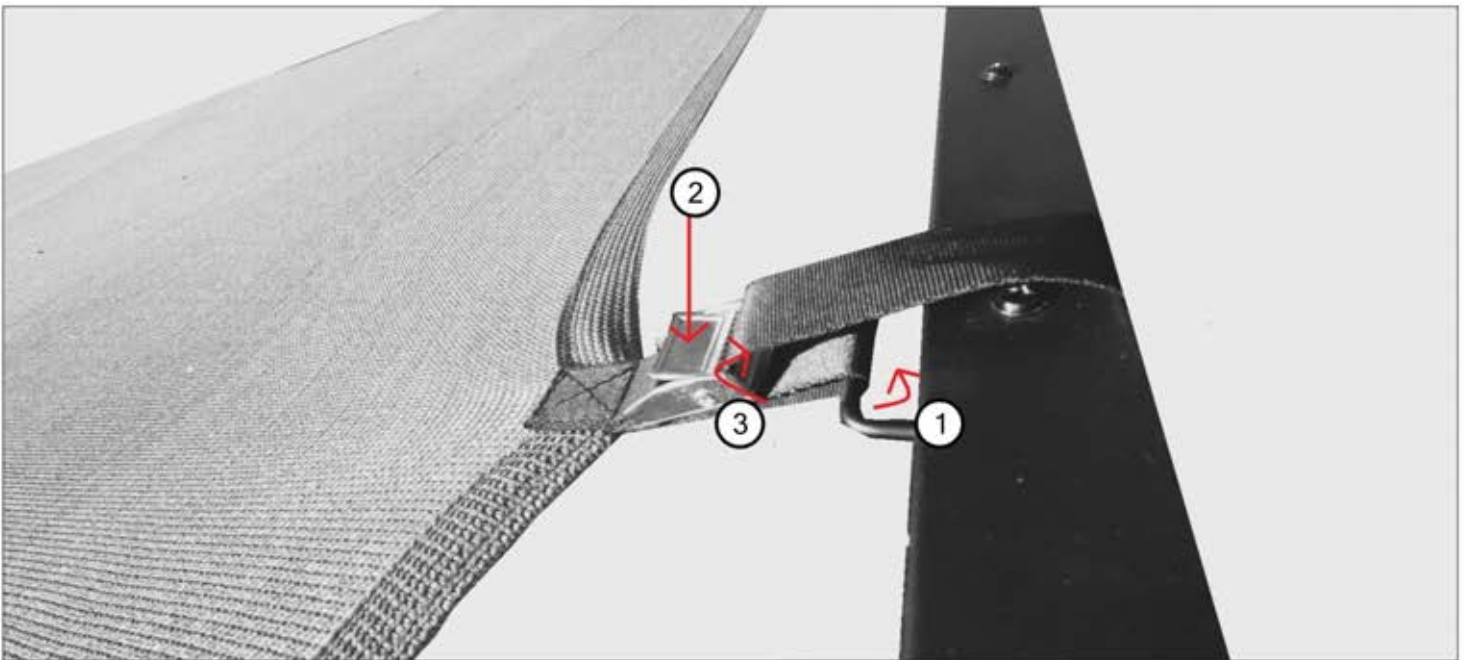
- 1. FASTEN THESE STRAPS FIRST TO HELP CENTER THE SHADE**
- 2. FASTEN THESE STRAPS SECOND TO HELP CENTER THE SHADE**
- 3. FASTEN THE CORNERS LAST**
- 4. AFTER ALL STRAPS ARE ATTACHED, CENTER SAIL SHADE BY TIGHTENING STRAPS**



STEP 8C - SAIL SHADE INSTALLATION

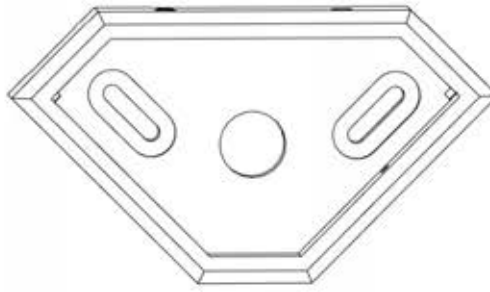
1. WRAP STRAP AROUND BRACKET FROM THE BOTTOM AS SHOWN
2. PUSH DOWN ON THE TAB TO OPEN THE LOCKING MECHANISM.
3. FEED STRAP UP THROUGH THE LOCK MECHANISM AS SHOWN
4. PULL WAY FROM SAIL SHADE TO TIGHTEN.

**DO NOT PULL TIGHT UNTIL ALL STRAPS ARE ATTACHED,
FAILURE TO DO SO WILL RESULT IN AN UNCENTERED SHADE COVER**



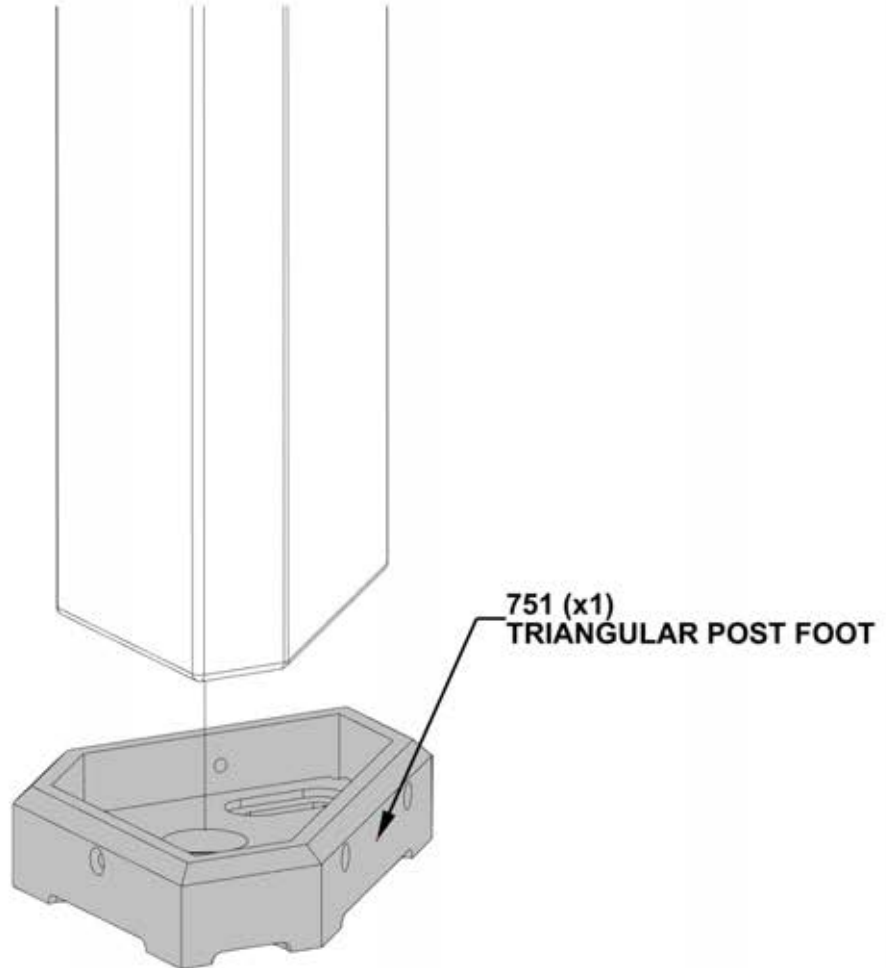
NOTE- IT IS IMPORTANT TO TAKE CAUTION WHEN HIGH WINDS OR WEATHER SUCH AS ICE OR SNOW IS EXPECTED. IF INCLEMENT WEATHER ARISES, IT IS RECCOMENDED TO REMOVE SAIL SHADE TO PREVENT DAMAGE TO THE SAIL SHADE OR STRUCTURE.

STEP 9 - POST FOOT



TRIANGULAR POST FOOT A6P00751
(x4)

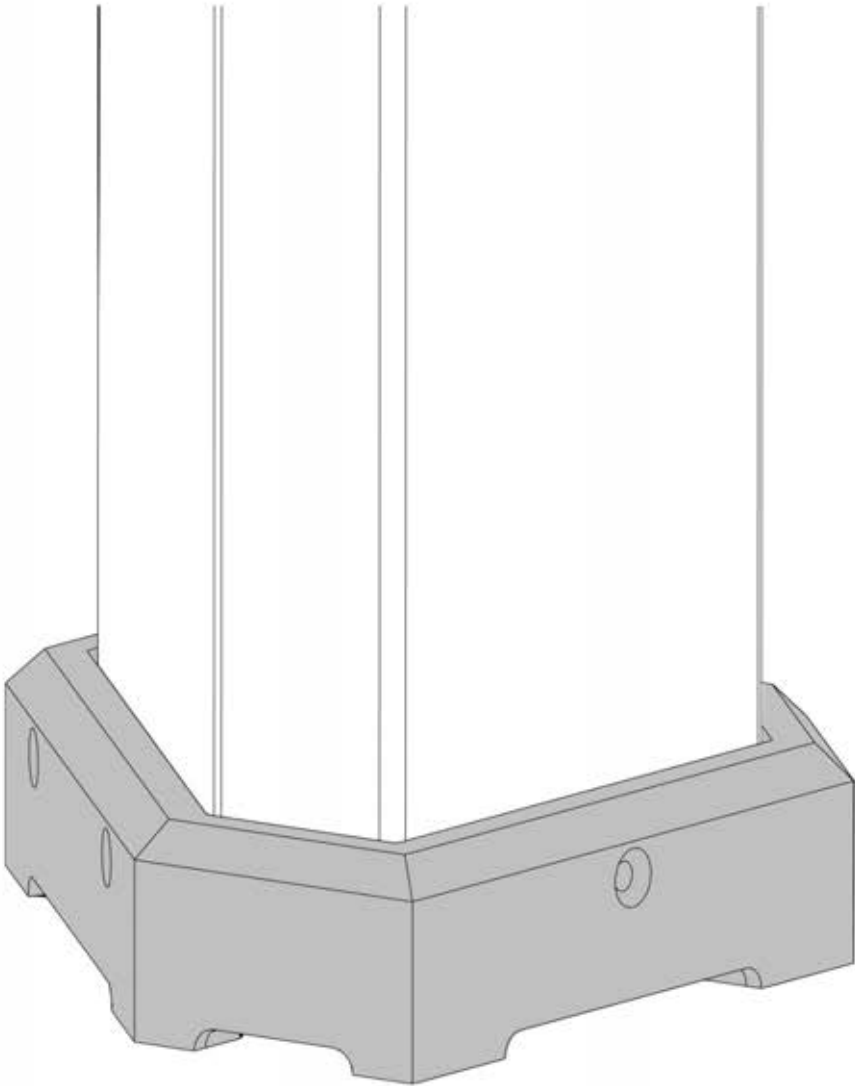
- DECIDE WHERE TO PLACE THE PERGOLA.
- PLACE THE PERGOLA EXACTLY WHERE IT WILL BE ANCHORED AND SLIDE A FOOT UNDER EACH POST.
- MANUFACTURER RECOMMENDS INSTALLATION ON CONCRETE SURFACE OR CONCRETE PIERS. SEE BELOW.
- FOR INSTALLATION ON WOOD DECKS, YOU MUST ENSURE THERE IS AMPLE STRUCTURAL SUPPORT UNDER DECK



REPEAT ON ALL POSTS

**SQUARE POSTS AND TIGHTEN ANY
HARDWARE BEFORE CONTINUING TO NEXT
STEP**

STEP 10 - POST FOOT

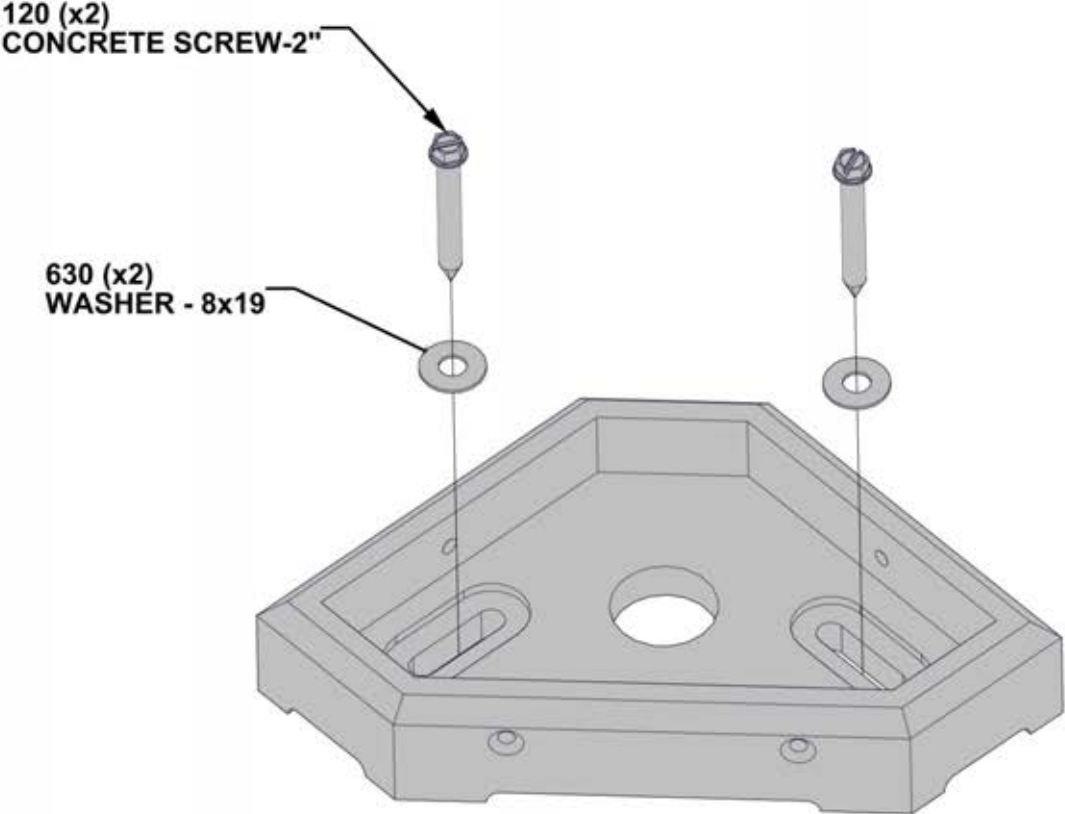


USE CHALK TO TRACE AROUND THE EDGES OF EACH FOOT TO MARK THE FEET LOCATIONS.

STEP 11 - POST FOOT

Qty	PartNo	BOM DESCRIPTION
8	H100630	WASHER FLAT 8x19 BLK
8	H100120	CONCRETE ANCHOR 1/4"x2"

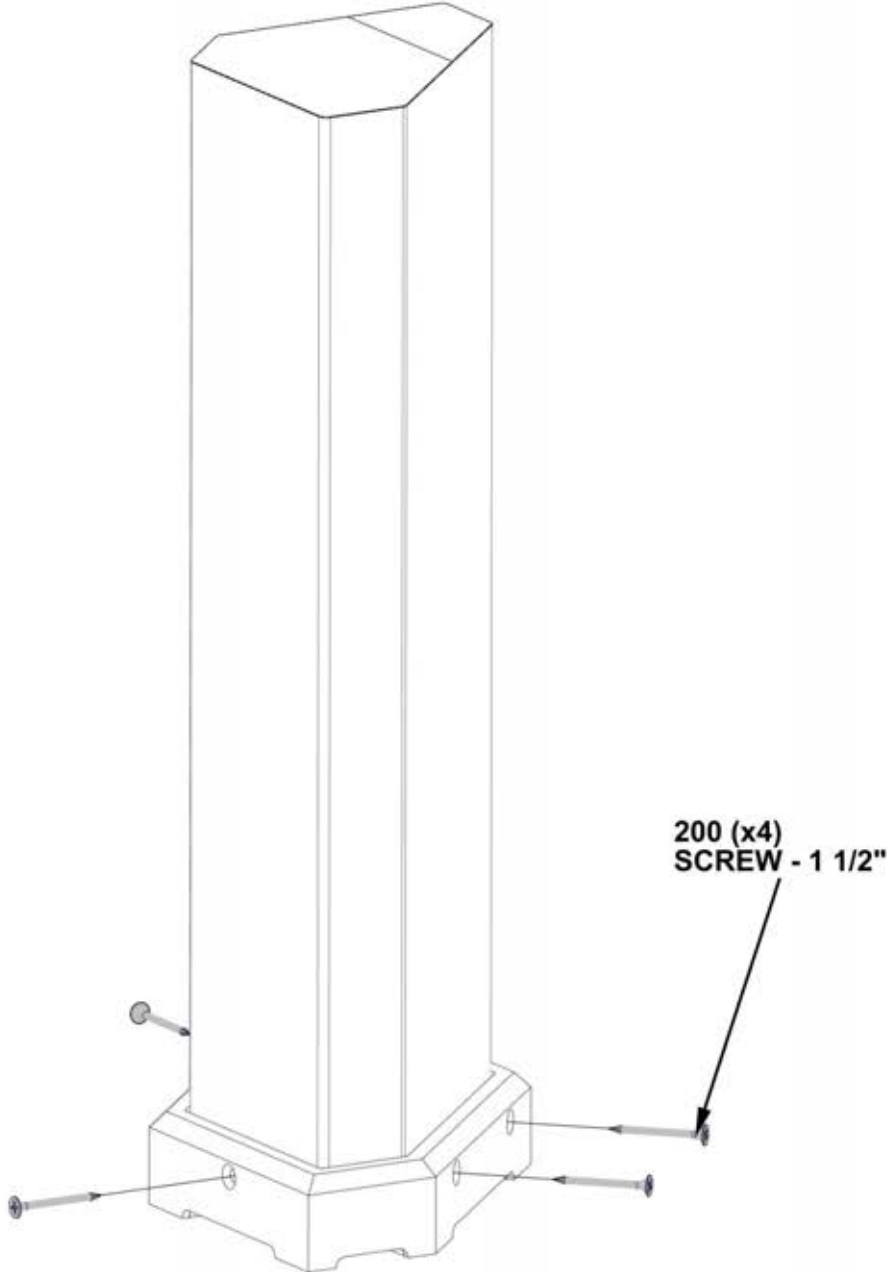
- LIFT POST OUT OF FOOT AND ALIGN FOOT WITH TRACED OUTLINE.
- PRE DRILL CONCRETE SCREW LOCATIONS WITH A 3/16" CONCRETE BIT.



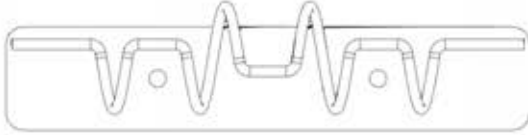
STEP 12 - POST ATTACHMENT

Qty	PartNo	BOM DESCRIPTION
16	H100200	SCREW PFH 8x1 1/2 BLK

- MOVE THE PERGOLA BACK INTO PLACE BY SETTING EACH POST INSIDE A POST FOOT AND INSTALL SCREWS AS SHOWN.
- REPEAT ON ALL POSTS



STEP 13 - ACCESSORY CLIPS



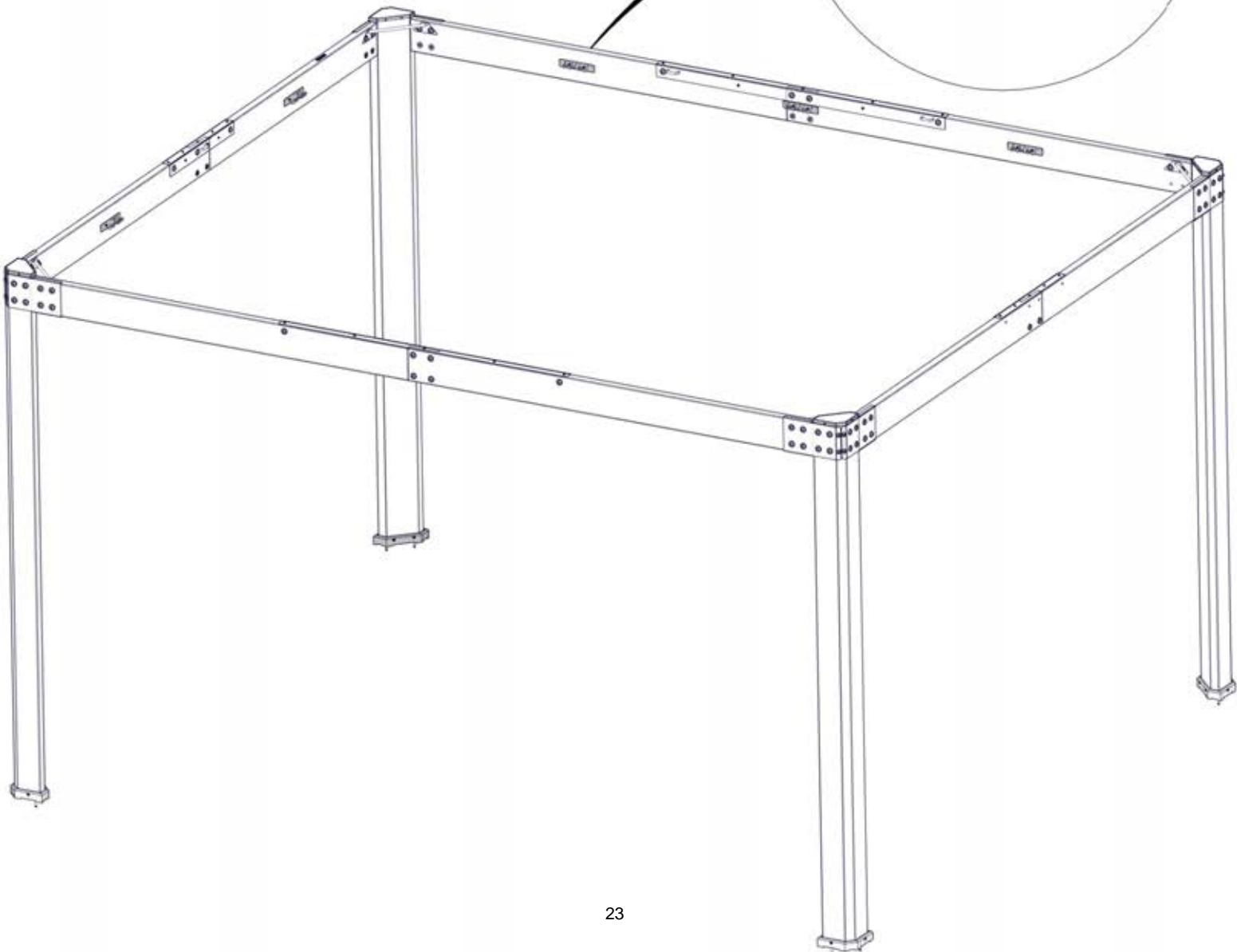
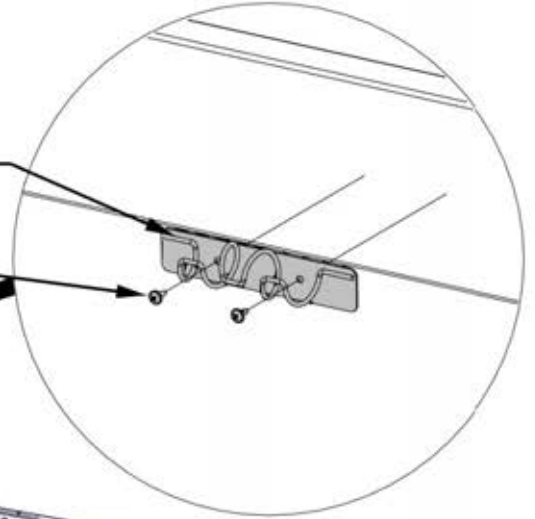
A4M02608 ACCESSORY BRACKET
(x10)

Qty	PartNo	BOM DESCRIPTION
20	H100797	SCREW PWH 8x1 BLK

- EQUALLY SPACE THE ACCESSORY BRACKETS OUT.
- ATTACH 3 ON THE LONG SIDE AND ATTACH 2 ON THE SHORT SIDE AT APPROXIMATE LOCATIONS

2608 (x10)
ACCESSORY BRACKET

797 (x20)
SCREW - 1"



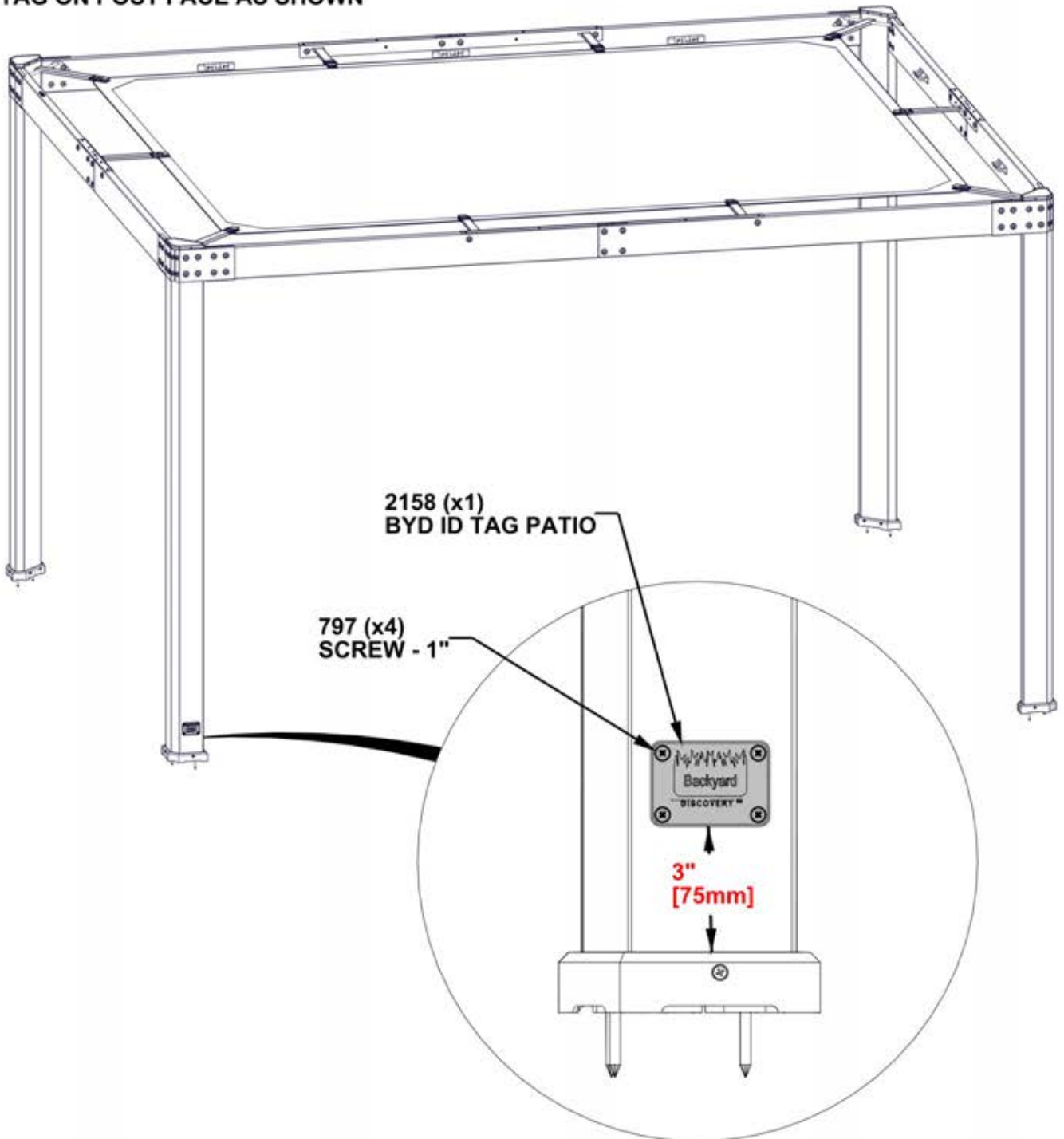
STEP 14 - ID TAG INSTALLATION

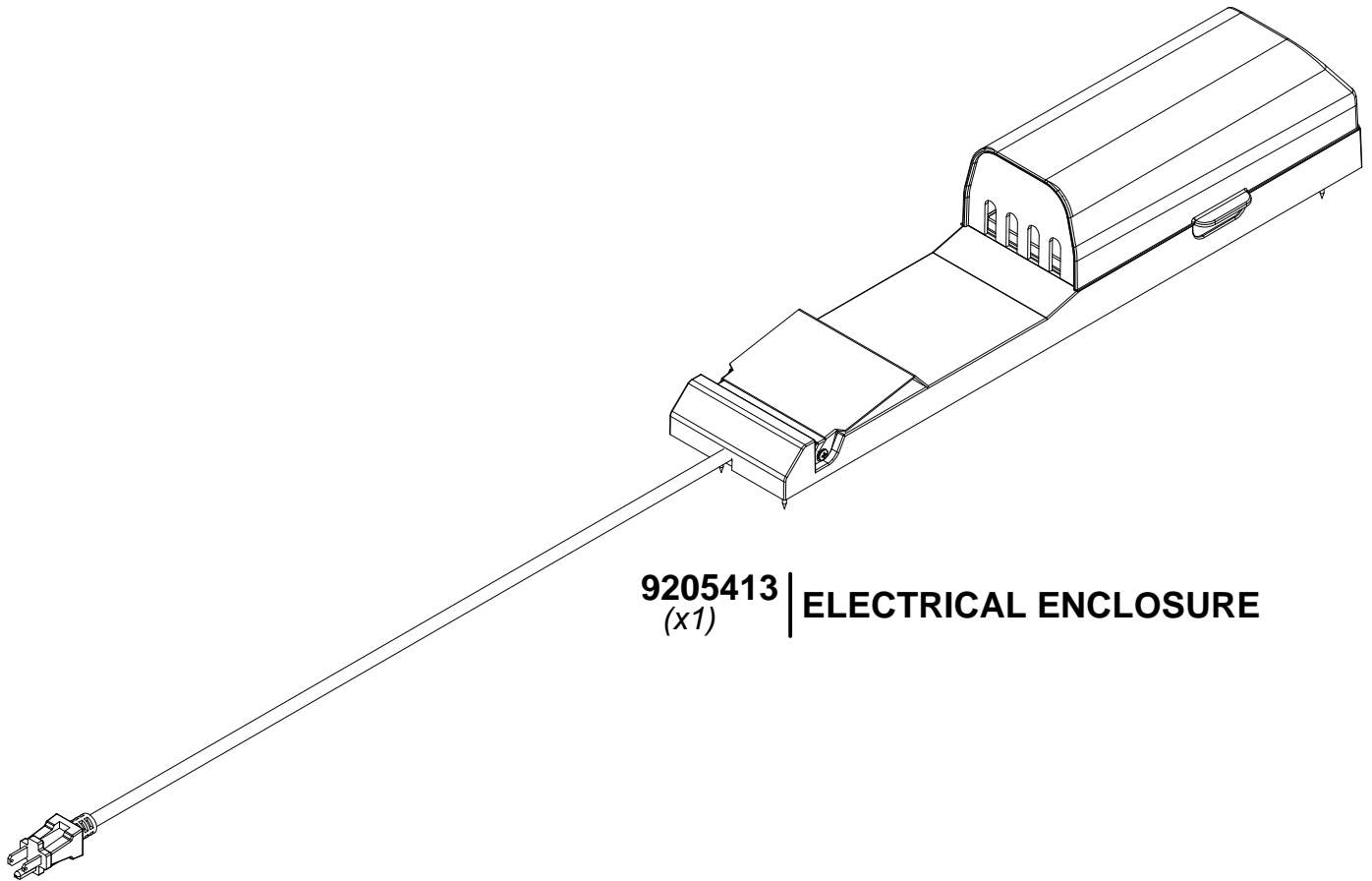


Qty	PartNo	BOM DESCRIPTION
4	H100797	SCREW PWH 8x1 BLK

A4M02158 BYD ID TAG PATIO
(x1)

- CENTER ID TAG ON POST FACE AS SHOWN





9205413 | **ELECTRICAL ENCLOSURE**
(x1)

FOR POWERPORT INSTALLATION REFER TO ASSEMBLY INSTRUCTIONS THAT COME PACKAGED WITH THE POWERPORT KIT. INSTALL ON ANY EXTERIOR POST THAT IS DESIRED. FOLLOW DIRECTIONS FOR PROPER INSTALLATION.