



Manufactured by:
Backyard Discovery
3305 Airport Drive, Pittsburg, KS
66762 800-856-4445

Basepoint Business Centre: Rivermead Drive, Westlea, Swindon SN5 7EX Phone: 0800-118-2476
J.P. Coenstraat 7, The Bridge, The Hague, 2595 WP, Netherlands Phone: 08005678990

CALLAHAN PERGOLA SWING

MODEL # : 2305106



Please visit www.backyarddiscovery.com
For the most up to date assembly manual, to register your product, or to order
replacement parts *Para obtener instrucciones en español, visite*
www.backyarddiscovery.com



EASY STEP-BY-STEP
3D INTERACTIVE INSTRUCTIONS
DOWNLOAD THE FREE APP

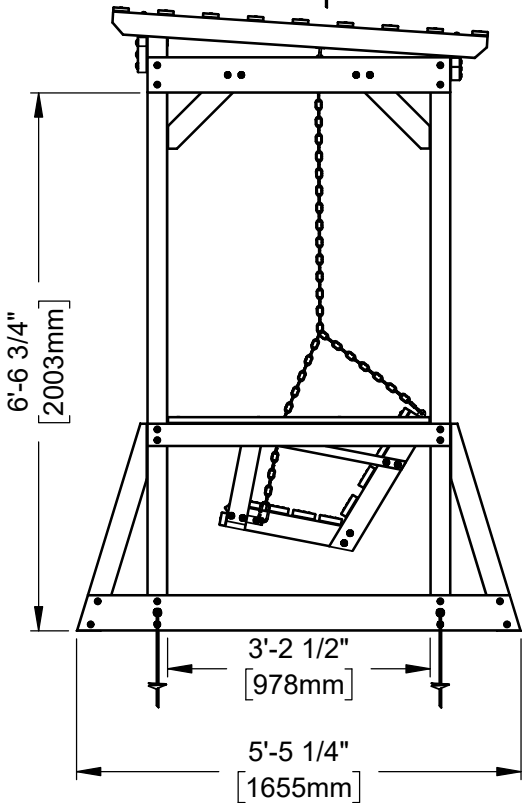
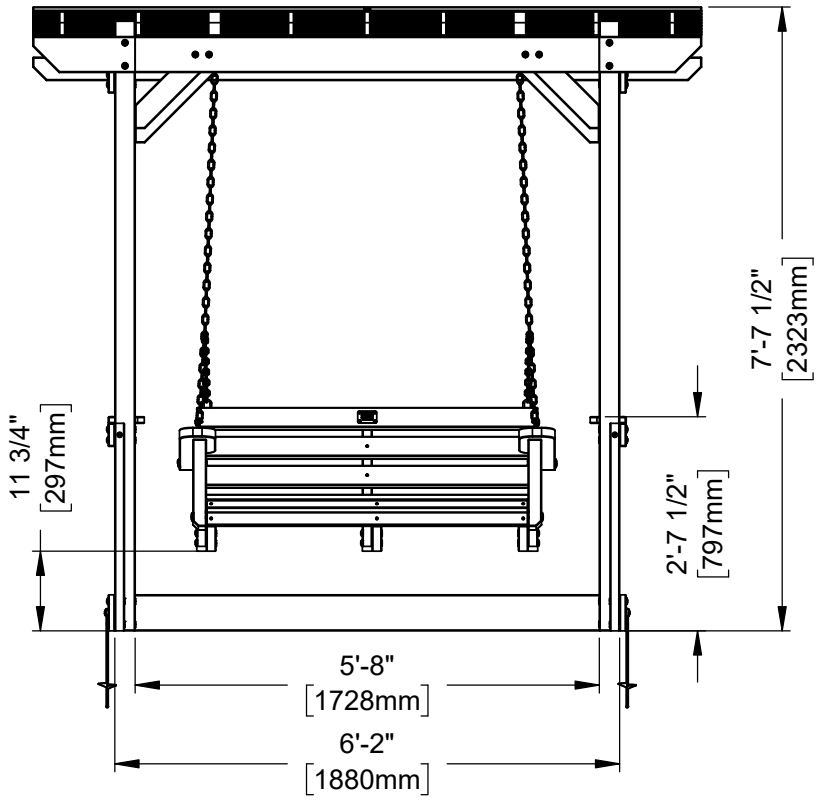
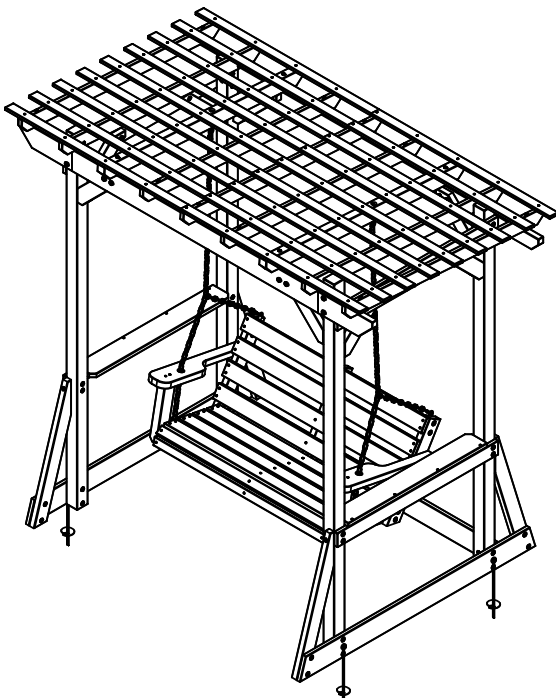
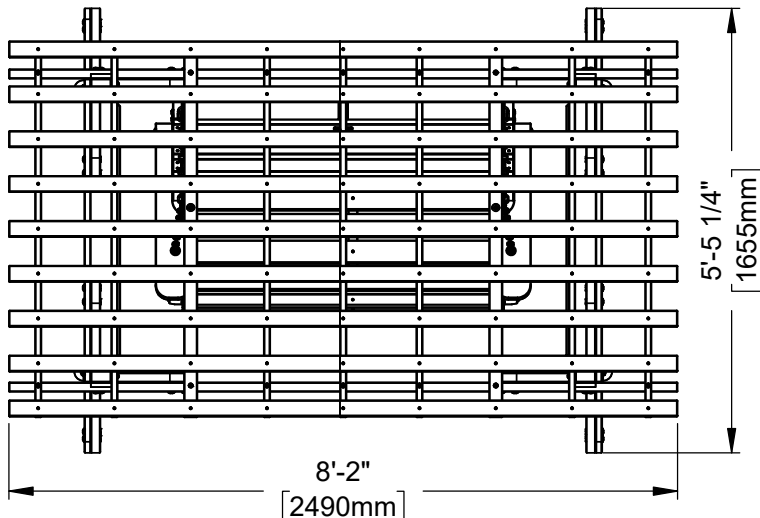


OWNER'S MANUAL - BASIC SETUP DIMENSIONS & ASSEMBLY NOTES

- Pay close attention to the items needed for each step. Make sure you are using the correct hardware for each step. Using incorrect hardware may result in improper assembly.
- Remember to double check for underground utilities and overhead electrical lines.

Post mounts provided are for grass surfaces. See Anchor Instructions for further details and recommendations.

- The hardware to attach the auger ground stakes to the structure is included.
- The hardware to mount the structure permanently to a concrete surface is NOT included.
- The hardware to mount the structure permanently to a wood deck is NOT included and will need to be purchased separately. You must ensure there is ample structural support under the deck before permanently attaching.



OWNER'S MANUAL - PARTS IDENTIFICATION

WOOD COMPONENTS (NOT TO SCALE)



B01 FRONT POST - W4L17942
(x1) 3"x3"x89 1/2" (76x76x2273)



B02 FRONT POST - W4L17943
(x1) 3"x3"x89 1/2" (76x76x2273)



B03 BACK POST - W4L17948
(x1) 3"x3"x86 7/16" (76x76x2196)



B04 BACK POST - W4L17949
(x1) 3"x3"x86 7/16" (76x76x2196)



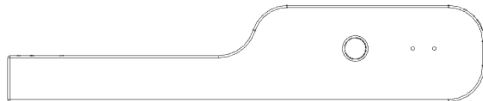
D01 TOP RAIL - W4L17944
(x1) 1 7/16"x5 1/4"x74" (36x134x1880)



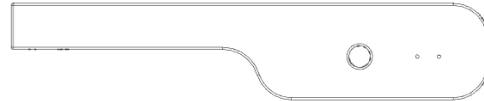
D02 TOP RAIL END - W4L17958
(x1) 1 7/16"x5 1/4"x15" (36x134x381)



D03 TOP RAIL END - W4L17959
(x1) 1 7/16"x5 1/4"x15" (36x134x381)



D04 ARM REST - W4L17972
(x1) 1 7/16"x5 1/4"x26 1/8" (36x134x665)



D05 ARM REST - W4L18436
(x1) 1 7/16"x5 1/4"x26 1/8" (36x134x665)



E01 TOP RAIL - W4L18434
(x1) 1 7/16"x3 3/8"x74" (36x86x1880)



E02 ANGLE BRACE - W4L17951
(x8) 1 7/16"x3 3/8"x16 15/16" (36x86x431)



E03 ANGLE BRACE - W4L17952
(x4) 1 7/16"x3 3/8"x32 1/8" (36x86x816)



E04 VERTICAL BENCH BRACE - W4L17961
(x2) 1 7/16"x3 3/8"x23 1/4" (36x86x590)



E05 HORIZONTAL BENCH BRACE - W4L17962
(x2) 1 7/16"x3 3/8"x20 1/4" (36x86x515)



E06 MIDDLE HORIZONTAL BRACE - W4L17974
(x1) 1 7/16"x3 3/8"x20 1/4" (36x86x515)



E07 MIDDLE VERTICAL BRACE - W4L17975
(x1) 1 7/16"x3 3/8"x23 1/4" (36x86x590)



E08 TOP RAIL END - W4L18435
(x1) 1 7/16"x3 3/8"x15" (36x86x381)



E09 TOP RAIL END - W4L17950
(x1) 1 7/16"x3 3/8"x15" (36x86x381)

OWNER'S MANUAL - PARTS IDENTIFICATION

WOOD COMPONENTS (NOT TO SCALE)



G01 SIDE TOP RAIL - W4L17945
(x2) 15/16"x5 1/4"x44 1/2" (24x134x1130)



G02 GROUND RAIL - W4L17947
(x2) 15/16"x5 1/4"x65 3/16" (24x134x1655)



G03 GROUND RAIL - W4L17953
(x1) 15/16"x5 1/4"x74" (24x134x1880)



H01 SIDE MID RAIL - W4L17946
(x2) 15/16"x3 3/8"x44 1/2" (24x86x1130)



H02 RAFTER - W4L17955
(x2) 15/16"x3 3/8"x55 1/8" (24x86x1400)



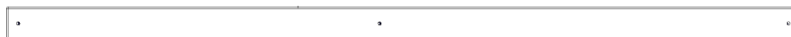
H03 RAFTER - W4L17956
(x5) 15/16"x3 3/8"x55 1/8" (24x86x1400)



H04 VERTICAL BACKER BOARD - W4L17963
(x4) 15/16"x3 3/8"x50" (24x86x1270)



H05 VERTICAL BACKER BOARD - W4L17964
(x4) 15/16"x3 3/8"x47 3/16" (24x86x1198)



J01 SLAT - W4L17973
(x2) 15/16"x1 15/16"x47 3/16" (24x50x1198)



N01 PURLIN - W4L17960
(x18) 5/8"x2 3/8"x49 1/2" (16x60x1257)



Q01 SHELF - W4L17954
(x2) 15/16"x5 1/4"x38 7/16" (24x134x977)



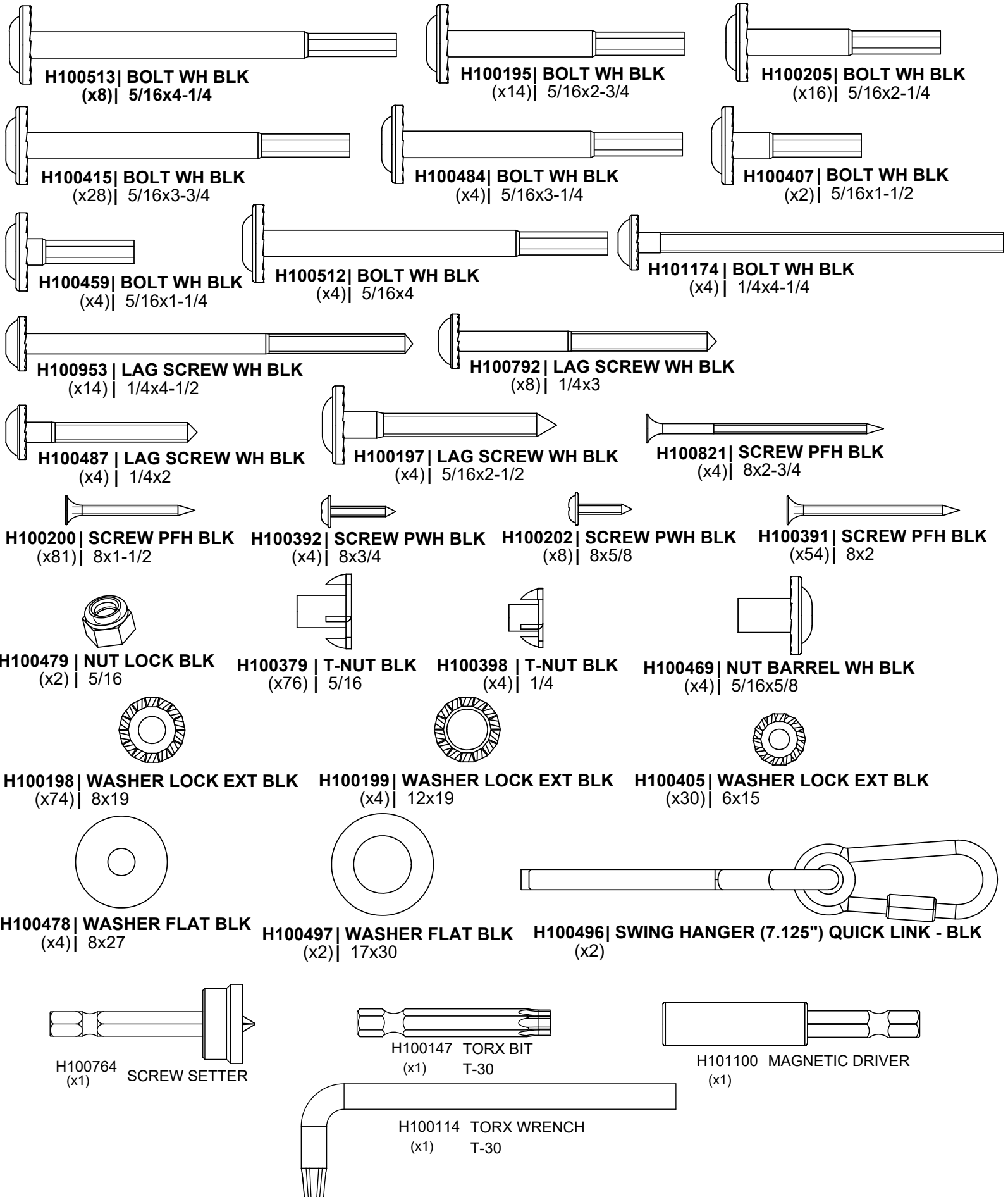
W01 SWING RAFTER - W4L17957
(x2) 1 15/16"x3 3/8"x55 1/8" (50x86x1400)



W02 ARM REST POST - W4L17965
(x2) 1 15/16"x3"x13" (50x76x330)

OWNER'S MANUAL - PARTS IDENTIFICATION

HARDWARE COMPONENTS (NOT TO SCALE)

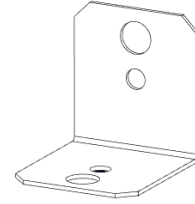


OWNER'S MANUAL - PARTS IDENTIFICATION

ACCESSORY COMPONENTS (NOT TO SCALE)



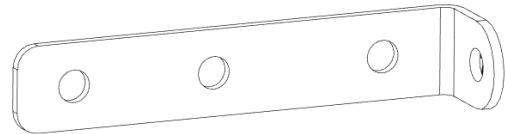
A100178 AUGER GROUND STAKE BROWN
(x4)



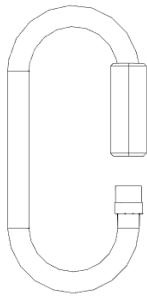
A4M00555 L BRACKET BLK
(x4)



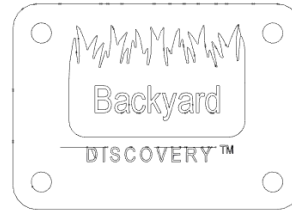
A4M00631 TIE STRAP PLATE - BLK
(x2)



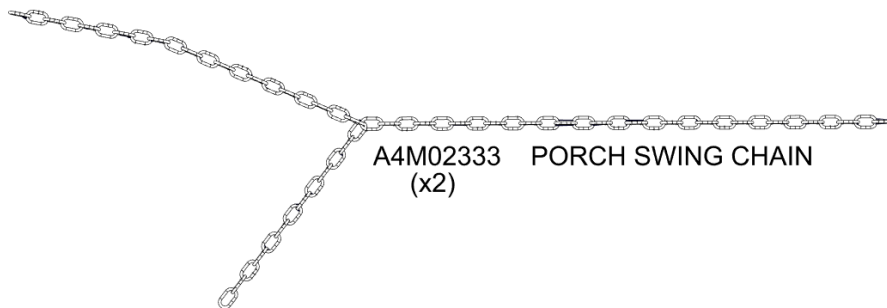
A4M00632 CHAIN SUPPORT BRACKET
(x2)



A4M00633 QUICK LINK
(x4)



A4M02158 BYD ID TAG PATIO
(x1)



A4M02333 PORCH SWING CHAIN
(x2)

PRE-ASSEMBLY STEP 1 - SORTING PARTS

It is critical for ease of assembly that you take the time to sort and organize the wood and hardware.

WOOD PARTS:

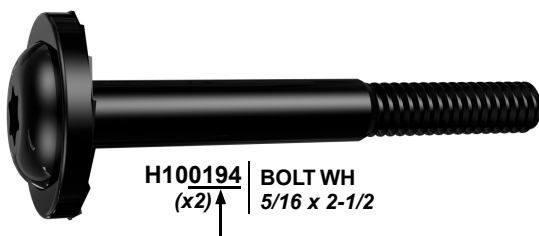
- Organize wood parts by the three-digit, alpha-numeric number stamped on each board (ex. P01).
- If there are multiple boards with the same stamped number, stack those pieces together.
- Stamps can be found on the flat surface of the boards or on the end of the boards.
- Allow yourself plenty of room - the wood pieces can take up a significant amount of space.

NOTE: CARTONS ARE NOT ORGANIZED BY BOARD NUMBER.



HARDWARE PARTS:

- We recommend that you have a separate table to organize the hardware.
- Hardware bags are printed with a seven-digit, alpha-numeric part number.
- You can organize your hardware by part number or group by hardware type (i.e. bolts, nuts, etc.).
- During assembly you only need to reference the last four digits of the number.



PRE-ASSEMBLY STEP 2 - TOOLS REQUIRED



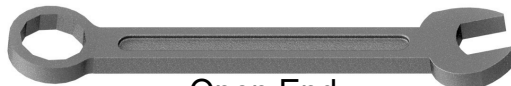
Cordless Drill
or Electric Drill



Drill
Attachments:
Phillips Head



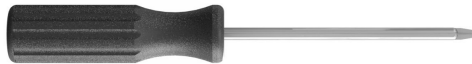
1/8", 3/16", 3/8" &
7/16" Drill Bits



Open End
Wrenches 1/2" &
9/16"



3/8" Drive Ratchet, 1/2" &
7/16" STD Sockets 1/2" & 7/16"
Deep Sockets



Phillips Screw Driver



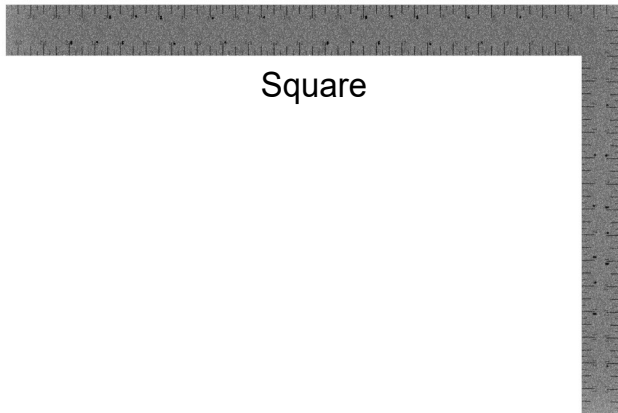
Claw Hammer



Rubber Mallet
- Optional



Tape Measure



Square




Level 24"

PRE-ASSEMBLY STEP 3 - CHOOSE YOUR ASSEMBLY METHOD

There are several types of assembly instructions available to you.


1. Printed Assembly Manual included with your set
2. BILT APP - 3D interactive instructions
3. Combination of the Printed Manual and BILT APP (Note: Step numbers can differ between the two methods)



BILT.

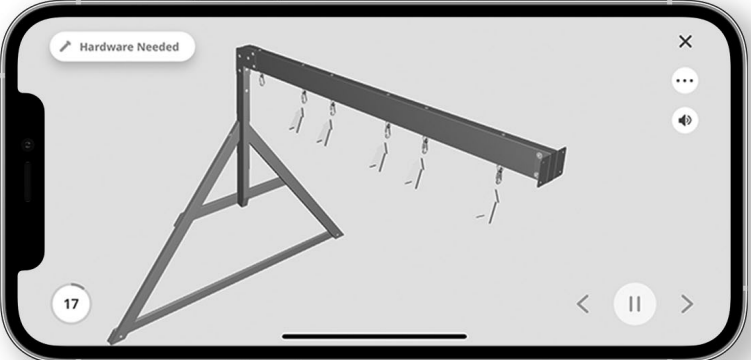
Scan for easy
3D instructions

Download the BILT app
before you begin



Download on the
App Store

GET IT ON
Google Play



Hardware Needed

17

< || >

The image shows a smartphone screen displaying a 3D assembly instruction. The screen features a 3D model of a metal frame with a horizontal bar and several hanging components. A 'Hardware Needed' button is visible in the top left corner of the app interface. The page number '17' is shown in a circle in the bottom left corner. Navigation controls, including a back arrow, a pause button, and a forward arrow, are located at the bottom of the screen.

STEP 4 - PERGOLA ASSEMBLY

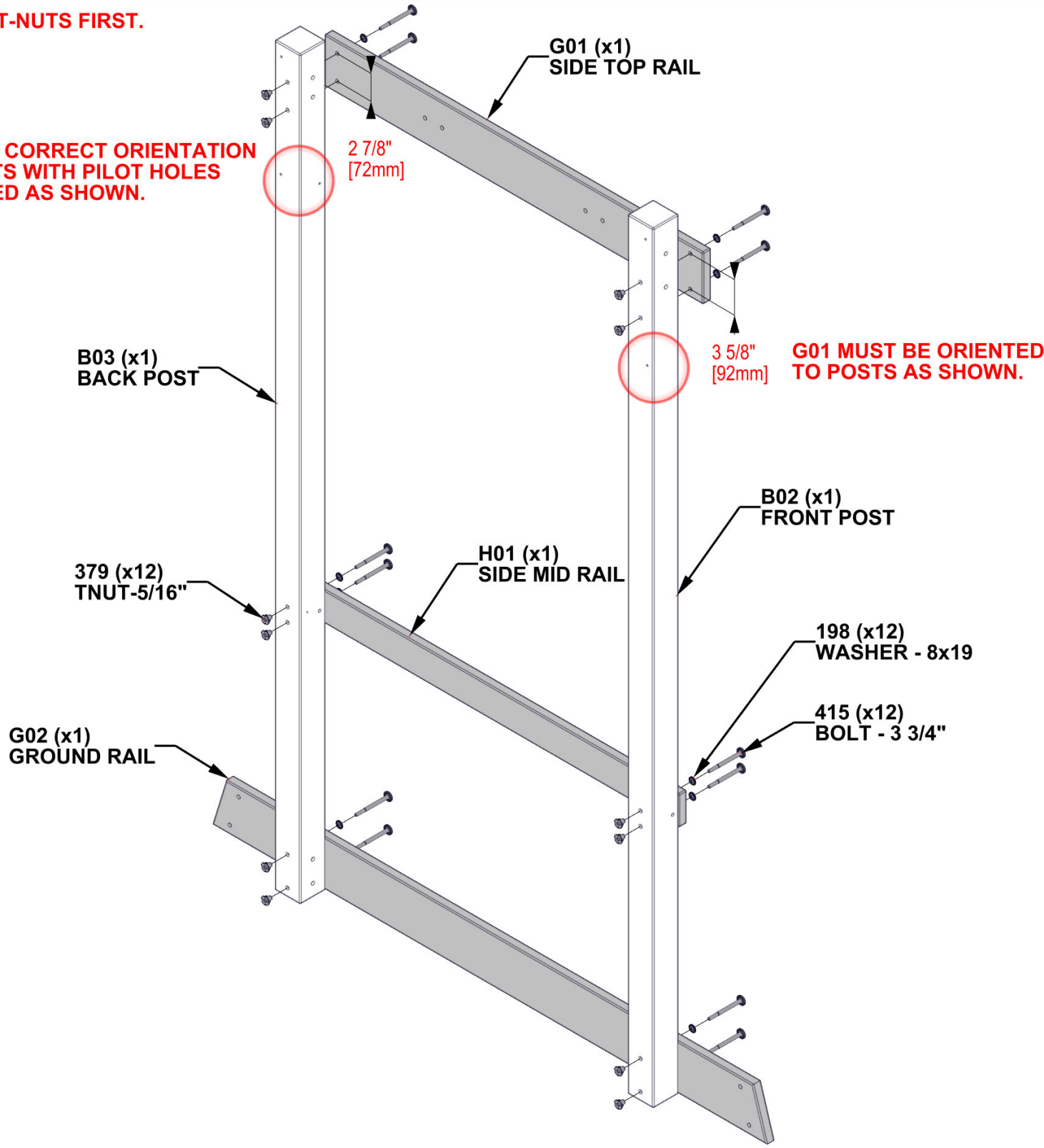
QTY	PART NUMBER	DESCRIPTION
12	H100379	T-NUT 5/16 BLK
12	H100415	BOLT WH 5/16 X 3 3/4
12	H100198	WASHER LOCK EXT 8X19 BLK

- B02 FRONT POST - W4L17943
(x1) 3"x3"x89 1/2" (76x76x2273)
- B03 BACK POST - W4L17948
(x1) 3"x3"x86 7/16" (76x76x2196)
- G01 SIDE TOP RAIL - W4L17945
(x1) 15/16"x5 1/4"x44 1/2" (24x134x1130)

- G02 GROUND RAIL - W4L17947
(x1) 15/16"x5 1/4"x65 3/16" (24x134x1655)
- H01 SIDE MID RAIL - W4L17946
(x1) 15/16"x3 3/8"x44 1/2" (24x86x1130)

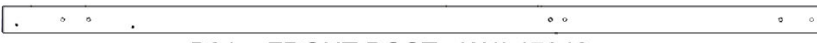
INSERT T-NUTS FIRST.

ENSURE CORRECT ORIENTATION OF POSTS WITH PILOT HOLES ORIENTED AS SHOWN.

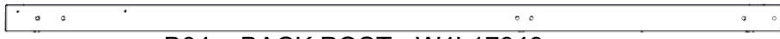


STEP 5 - PERGOLA ASSEMBLY

QTY	PART NUMBER	DESCRIPTION
12	H100379	T-NUT 5/16 BLK
12	H100415	BOLT WH 5/16 X 3 3/4
12	H100198	WASHER LOCK EXT 8X19 BLK



B01 FRONT POST - W4L17942
(x1) 3"x3"x89 1/2" (76x76x2273)



B04 BACK POST - W4L17949
(x1) 3"x3"x86 7/16" (76x76x2196)



G01 SIDE TOP RAIL - W4L17945
(x1) 15/16"x5 1/4"x44 1/2" (24x134x1130)

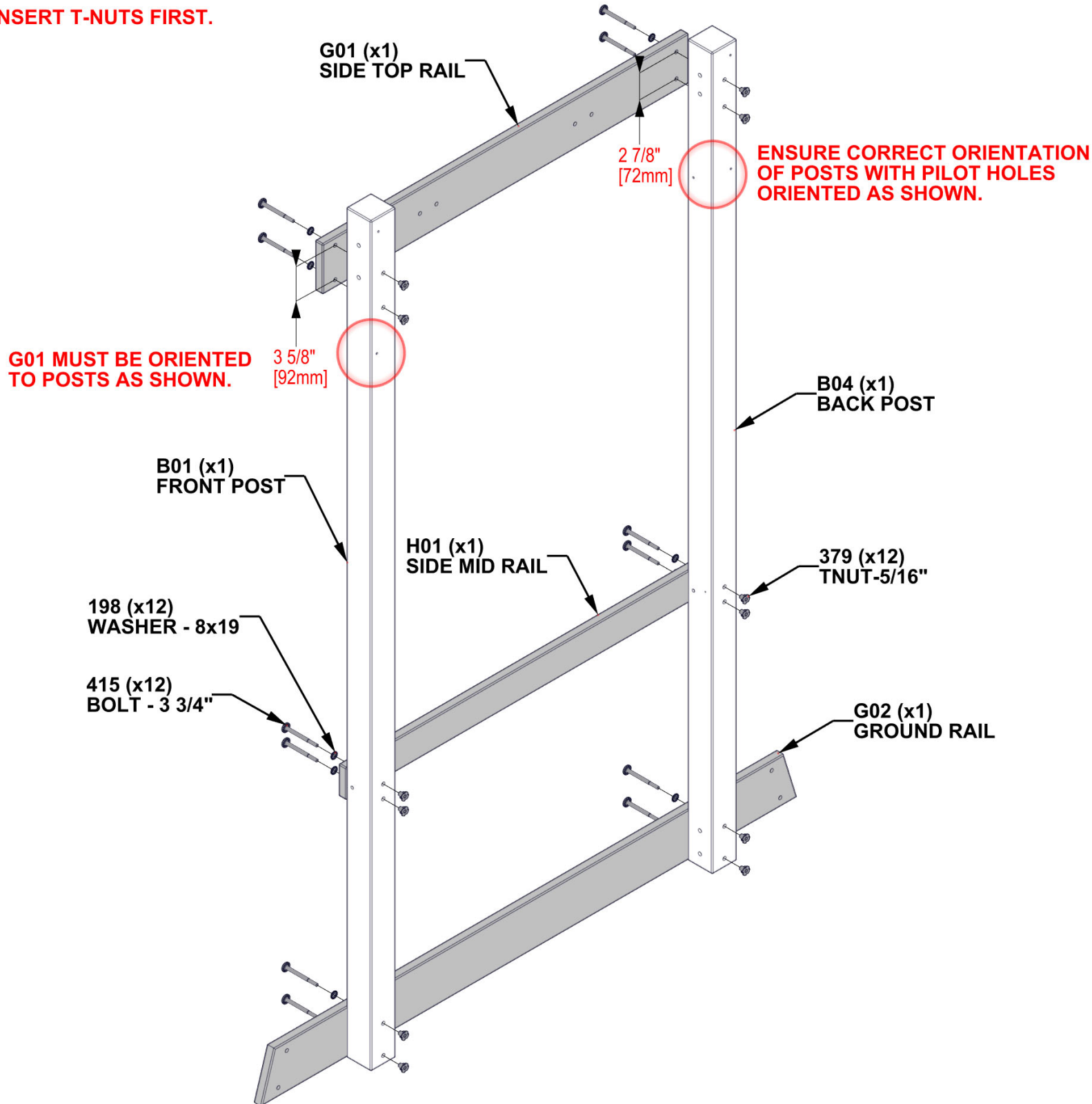


G02 GROUND RAIL - W4L17947
(x1) 15/16"x5 1/4"x65 3/16" (24x134x1655)



H01 SIDE MID RAIL - W4L17946
(x1) 15/16"x3 3/8"x44 1/2" (24x86x1130)

INSERT T-NUTS FIRST.



STEP 6 - PERGOLA ASSEMBLY

QTY	PART NUMBER	DESCRIPTION
4	H100198	WASHER LOCK EXT 8X19 BLK
4	H100379	T-NUT 5/16 BLK
4	H100513	BOLT WH 5/16 X 4 1/4 BLK



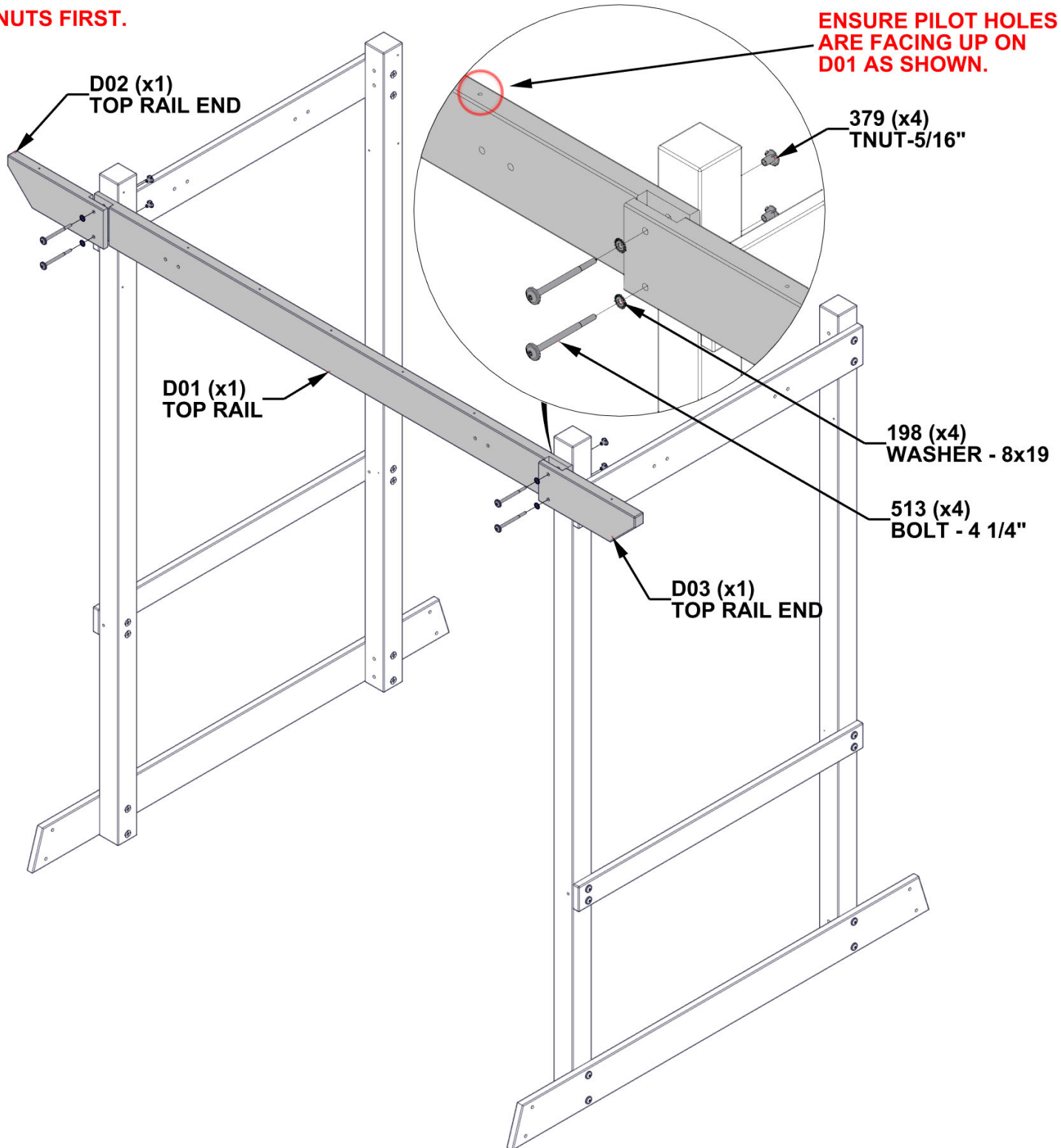
D02 TOP RAIL END - W4L17958
(x1) 1 7/16"x5 1/4"x15" (36x134x381)

D03 TOP RAIL END - W4L17959
(x1) 1 7/16"x5 1/4"x15" (36x134x381)



D01 TOP RAIL - W4L17944
(x1) 1 7/16"x5 1/4"x74" (36x134x1880)

INSERT T-NUTS FIRST.



STEP 7 - PERGOLA ASSEMBLY

QTY	PART NUMBER	DESCRIPTION
4	H100198	WASHER LOCK EXT 8X19 BLK
4	H100379	T-NUT 5/16 BLK
4	H100513	BOLT WH 5/16 X 4 1/4 BLK



E01 TOP RAIL - W4L18434
(x1) 1 7/16"x3 3/8"x74" (36x86x1880)

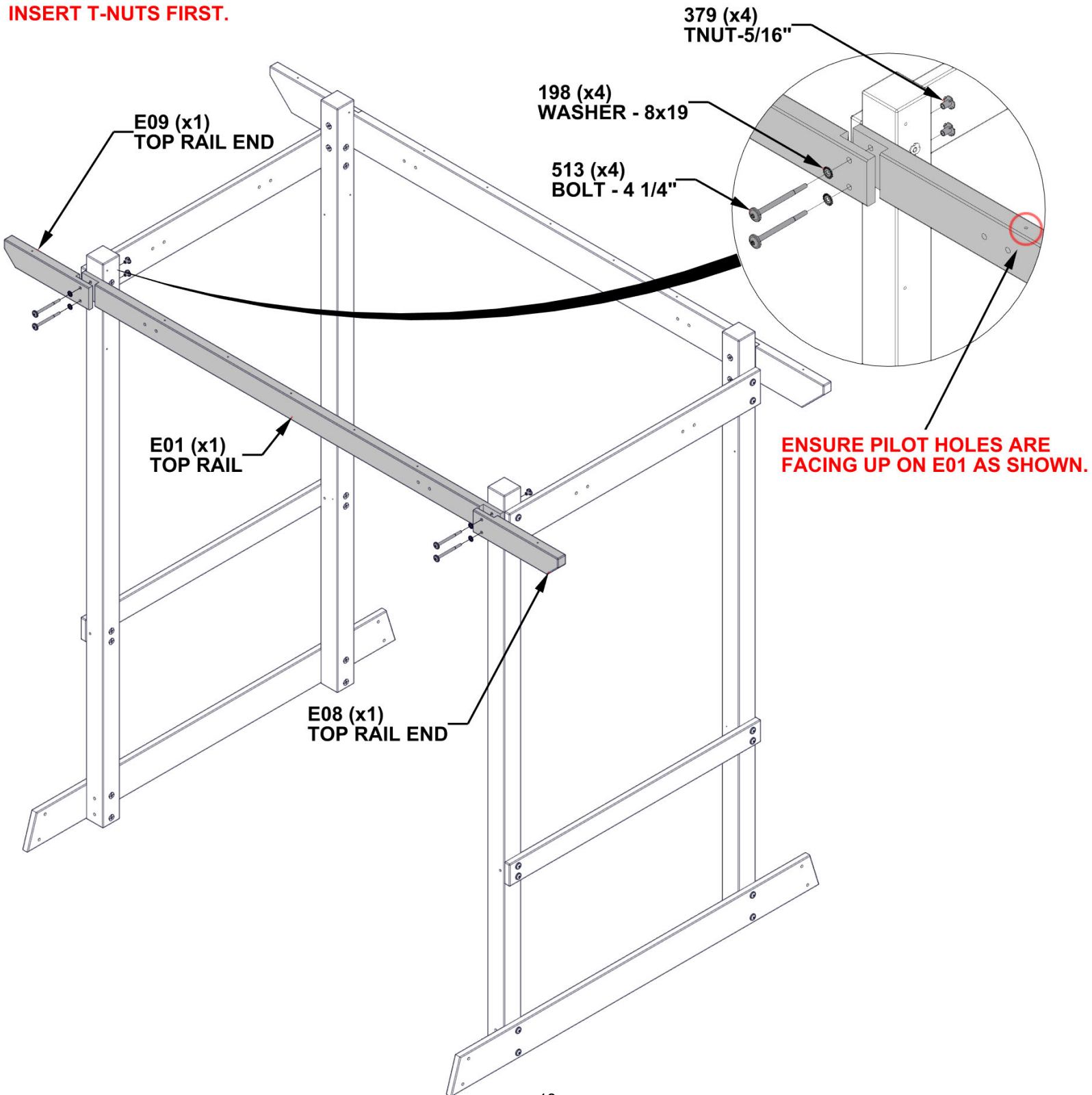


E08 TOP RAIL END - W4L18435
(x1) 1 7/16"x3 3/8"x15" (36x86x381)



E09 TOP RAIL END - W4L17950
(x1) 1 7/16"x3 3/8"x15" (36x86x381)

INSERT T-NUTS FIRST.



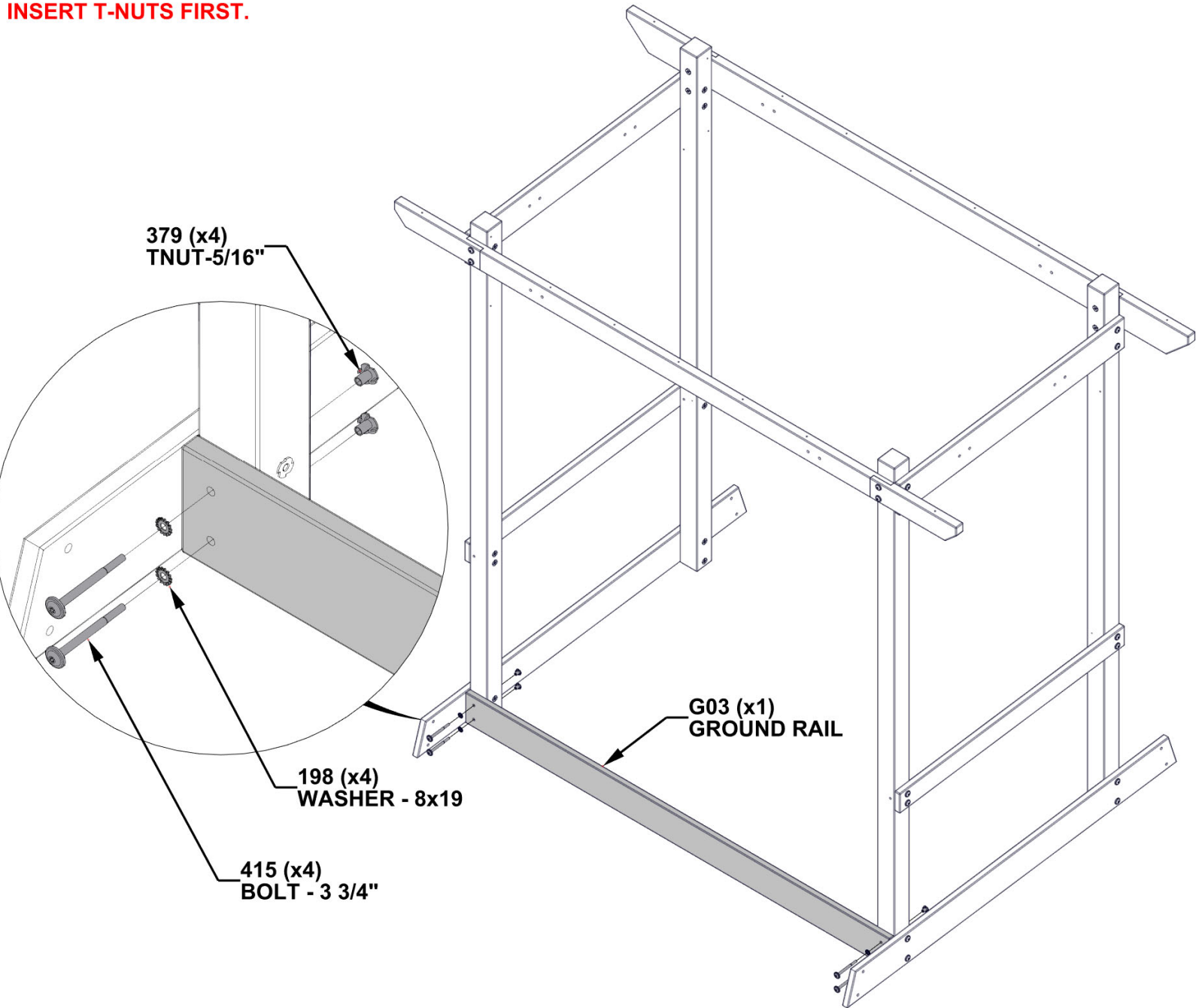
STEP 8 - PERGOLA ASSEMBLY

QTY	PART NUMBER	DESCRIPTION
4	H100198	WASHER LOCK EXT 8X19 BLK
4	H100379	T-NUT 5/16 BLK
4	H100415	BOLT WH 5/16 X 3 3/4



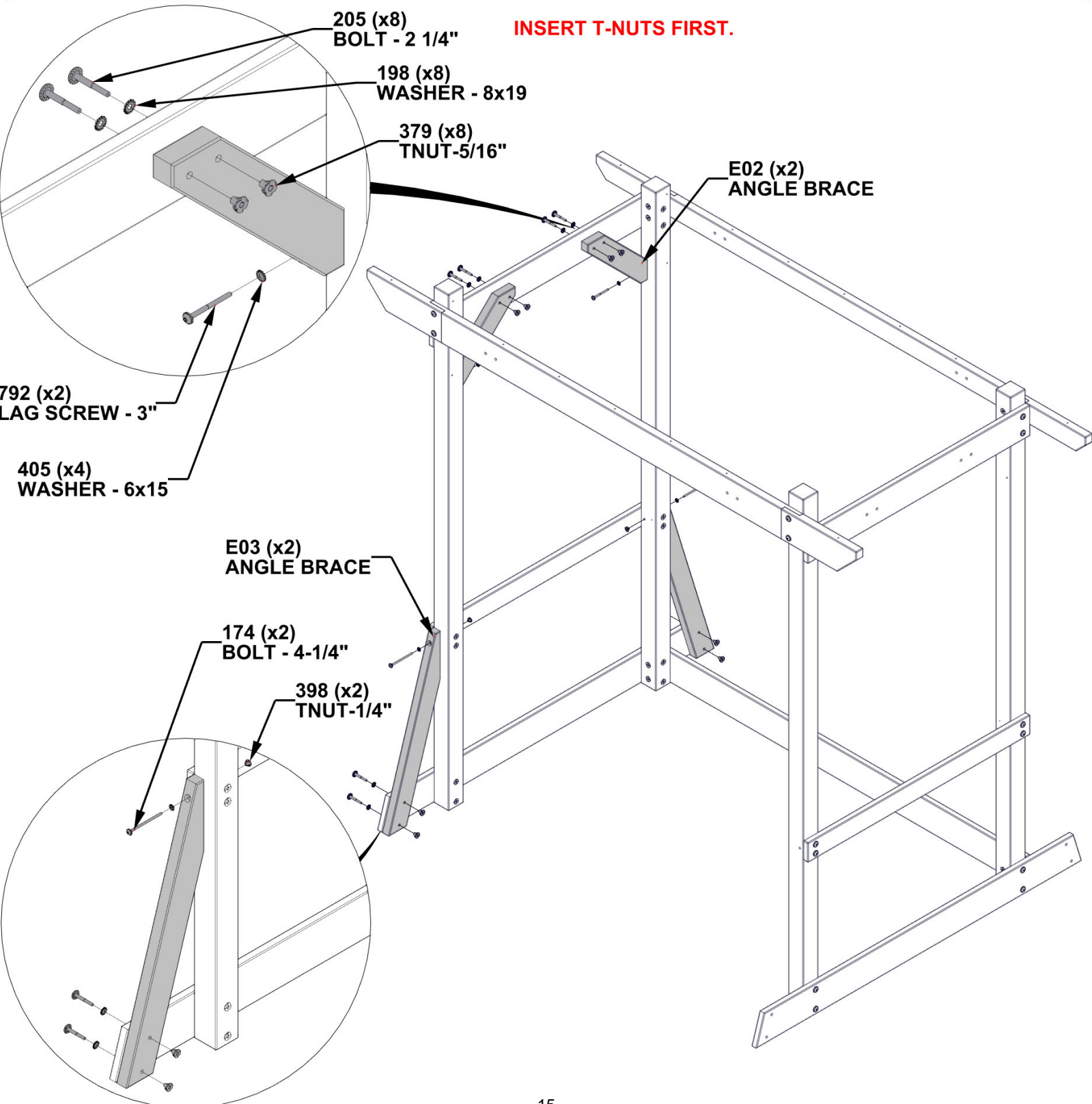
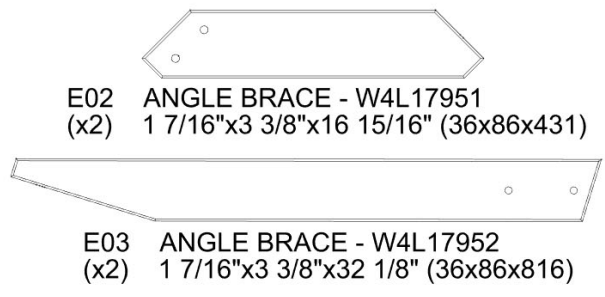
G03 GROUND RAIL - W4L17953
 (x1) 15/16"x5 1/4"x74" (24x134x1880)

INSERT T-NUTS FIRST.



STEP 9 - PERGOLA ASSEMBLY

QTY	PART NUMBER	DESCRIPTION
8	H100198	WASHER LOCK EXT 8X19 BLK
8	H100205	BOLT WH 5/16 X 2 1/4 BLK
8	H100379	T-NUT 5/16 BLK
2	H100398	T-NUT 1/4 BLK
4	H100405	WASHER LOCK EXT 6X15 BLK
2	H100792	LAG SCREW WH 1/4 X 3 BLK
2	H101174	BOLT WH 1/4 X 4 1/4 BLK



STEP 10 - PERGOLA ASSEMBLY

QTY	PART NUMBER	DESCRIPTION
8	H100198	WASHER LOCK EXT 8X19 BLK
8	H100205	BOLT WH 5/16 X 2 1/4 BLK
8	H100379	T-NUT 5/16 BLK
2	H100398	T-NUT 1/4 BLK
4	H100405	WASHER LOCK EXT 6X15 BLK
2	H100792	LAG SCREW WH 1/4 X 3 BLK
2	H101174	BOLT WH 1/4 X 4 1/4 BLK

E02 ANGLE BRACE - W4L17951
(x2) 1 7/16"x3 3/8"x16 15/16" (36x86x431)



E03 ANGLE BRACE - W4L17952
(x2) 1 7/16"x3 3/8"x32 1/8" (36x86x816)

INSERT T-NUTS FIRST.

205 (x8)
BOLT - 2 1/4"

198 (x8)
WASHER - 8x19

379 (x8)
TNUT-5/16"

E02 (x2)
ANGLE BRACE

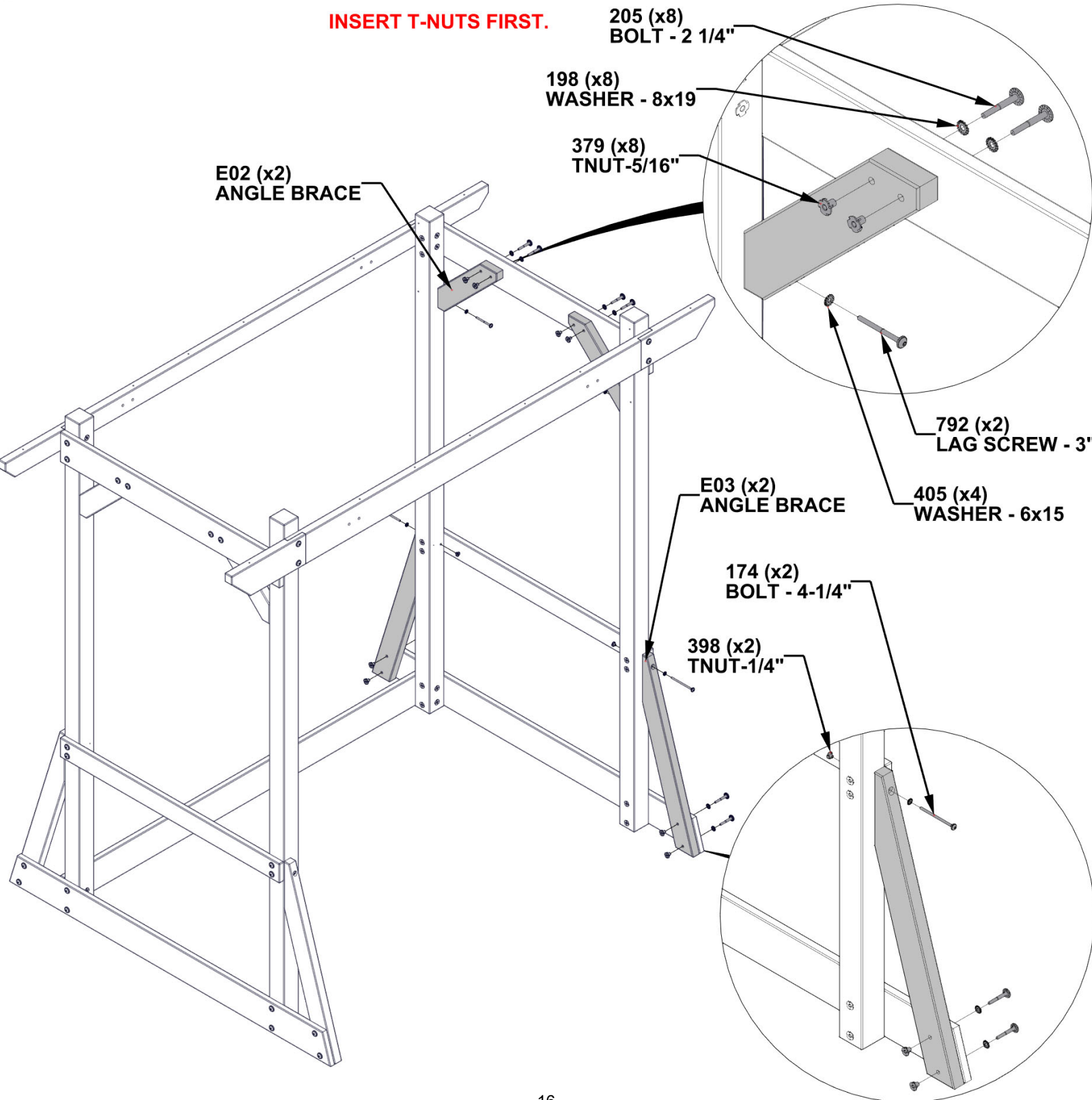
792 (x2)
LAG SCREW - 3"

405 (x4)
WASHER - 6x15

E03 (x2)
ANGLE BRACE

174 (x2)
BOLT - 4-1/4"

398 (x2)
TNUT-1/4"



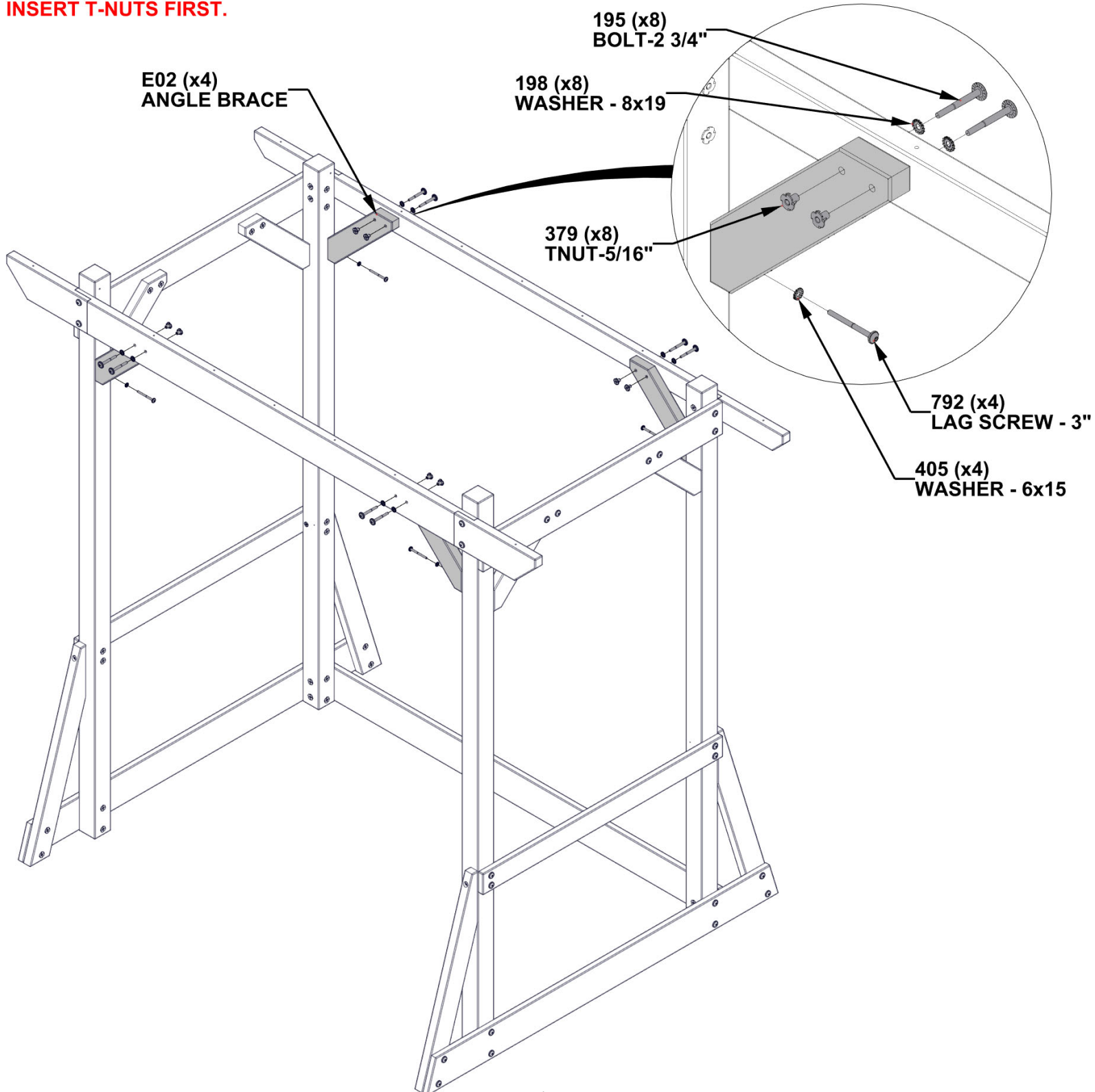
STEP 11 - PERGOLA ASSEMBLY

QTY	PART NUMBER	DESCRIPTION
8	H100195	BOLT WH 5/16 X 2 3/4 BLK
8	H100198	WASHER LOCK EXT 8X19 BLK
8	H100379	T-NUT 5/16 BLK
4	H100405	WASHER LOCK EXT 6X15 BLK
4	H100792	LAG SCREW WH 1/4 X 3 BLK



E02 ANGLE BRACE - W4L17951
(x4) 1 7/16"x3 3/8"x16 15/16" (36x86x431)

INSERT T-NUTS FIRST.



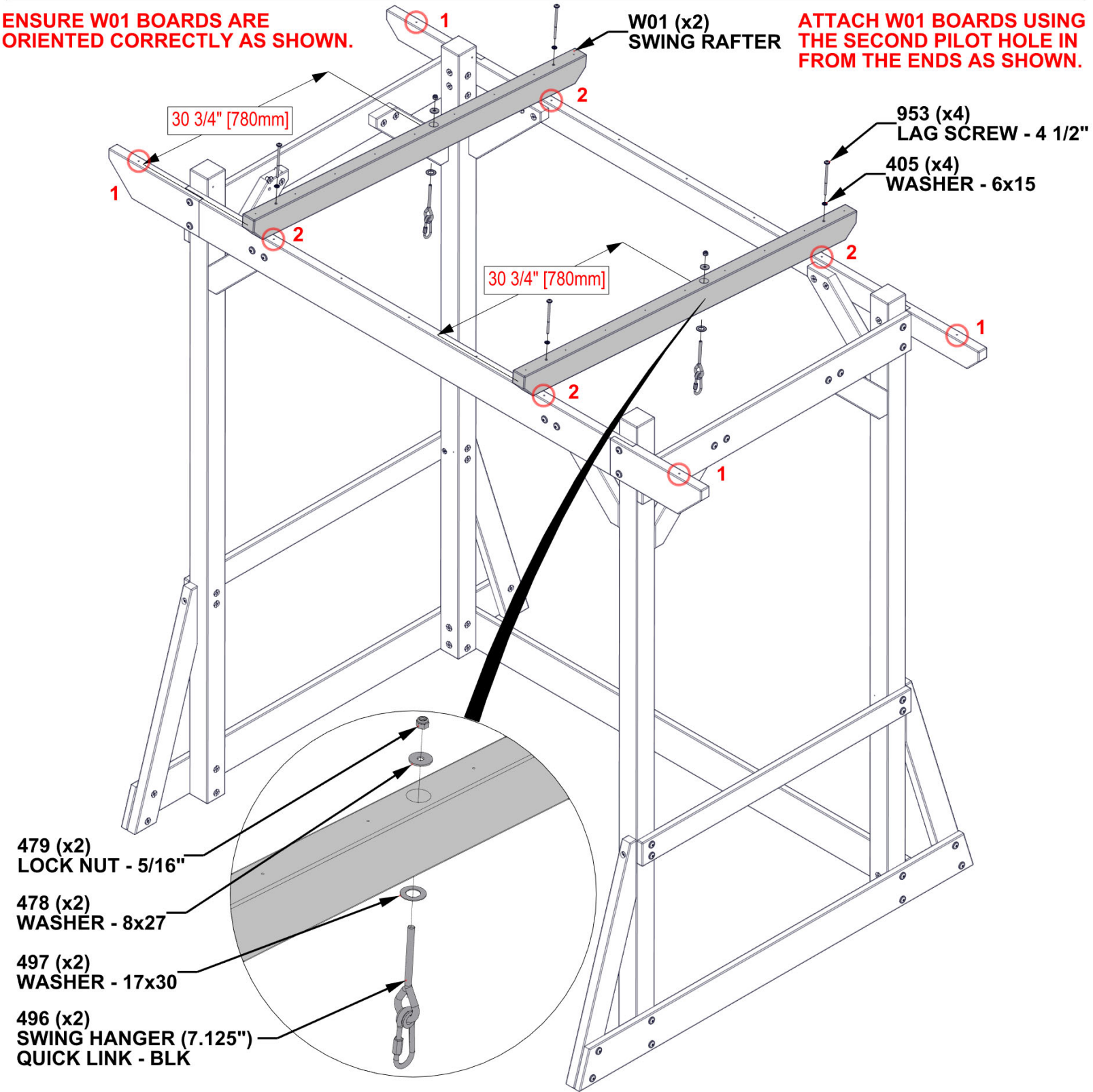
STEP 12 - PERGOLA ASSEMBLY

QTY	PART NUMBER	DESCRIPTION
4	H100405	WASHER LOCK EXT 6X15 BLK
2	H100478	WASHER FLAT 8X27 BLK
2	H100479	NUT LOCK 5/16 BLK
2	H100496	SWING HANGER (7.125") QUICK LINK - BLK
2	H100497	WASHER FLAT 17X30 BLK
4	H100953	LAG SCREW WH 1/4 X 4 1/2 BLK

W01 SWING RAFTER - W4L17957
 (x2) 1 15/16"x3 3/8"x55 1/8" (50x86x1400)

ENSURE W01 BOARDS ARE ORIENTED CORRECTLY AS SHOWN.

ATTACH W01 BOARDS USING THE SECOND PILOT HOLE IN FROM THE ENDS AS SHOWN.



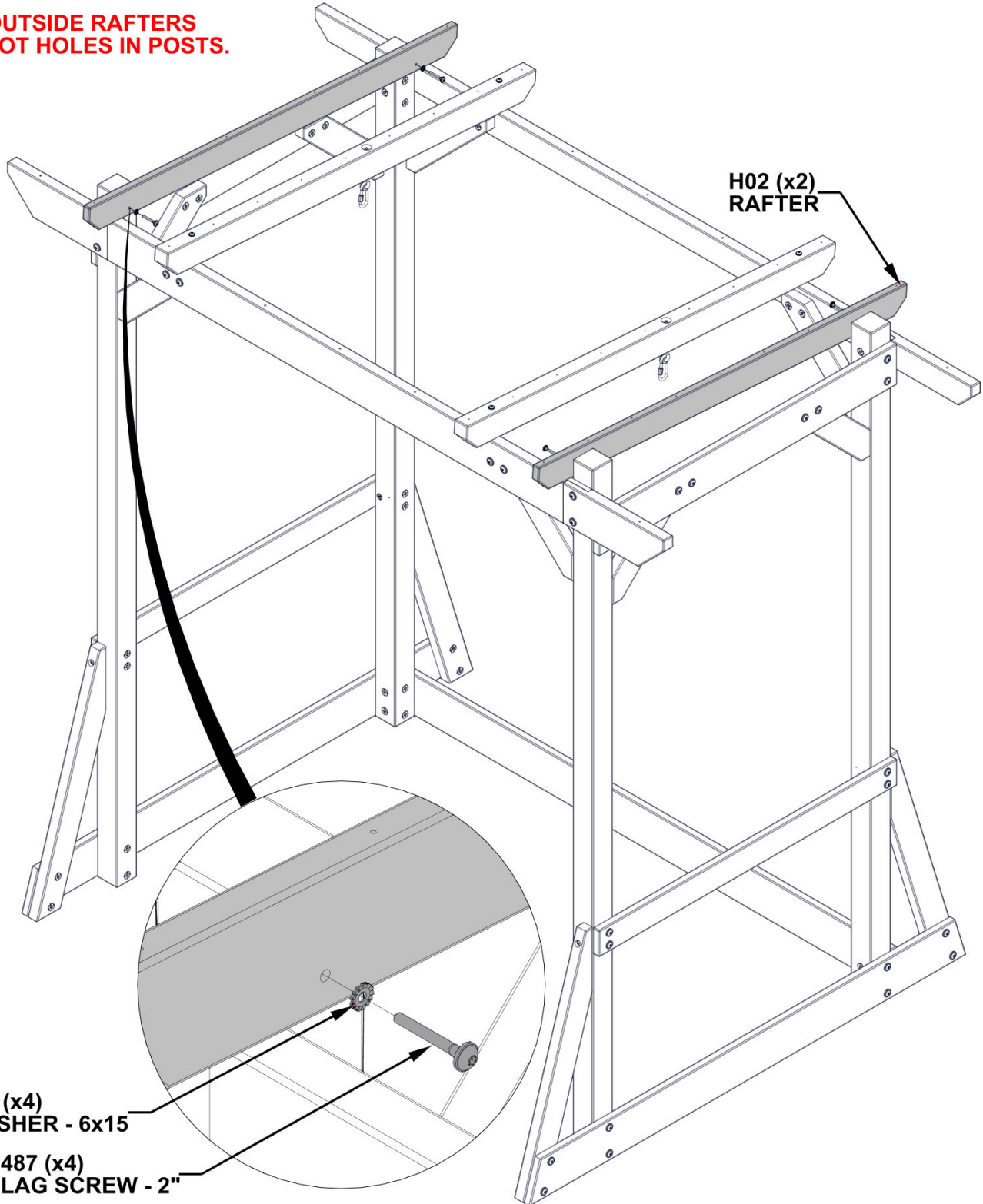
STEP 13 - PERGOLA ASSEMBLY

QTY	PART NUMBER	DESCRIPTION
4	H100405	WASHER LOCK EXT 6X15 BLK
4	H100487	LAG SCREW WH 1/4 X 2 BLK



H02 RAFTER - W4L17955
(x2) 15/16"x3 3/8"x55 1/8" (24x86x1400)

**ATTACH OUTSIDE RAFTERS
USING PILOT HOLES IN POSTS.**



405 (x4)
WASHER - 6x15

487 (x4)
LAG SCREW - 2"

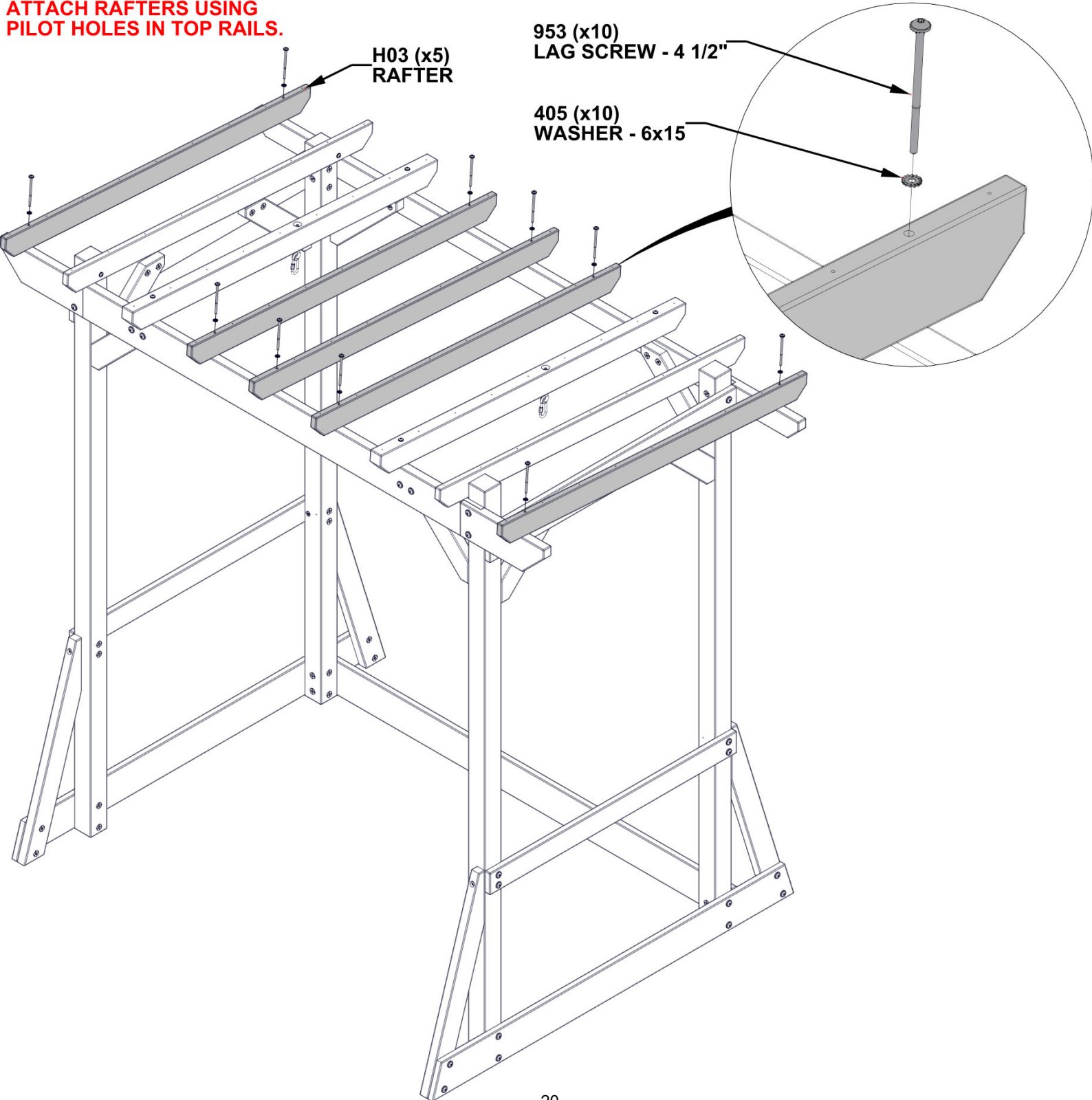
STEP 14 - PERGOLA ASSEMBLY

QTY	PART NUMBER	DESCRIPTION
10	H100405	WASHER LOCK EXT 6X15 BLK
10	H100953	LAG SCREW WH 1/4 X 4 1/2 BLK



H03 RAFTER - W4L17956
(x5) 15/16"x3 3/8"x55 1/8" (24x86x1400)

**ATTACH RAFTERS USING
PILOT HOLES IN TOP RAILS.**



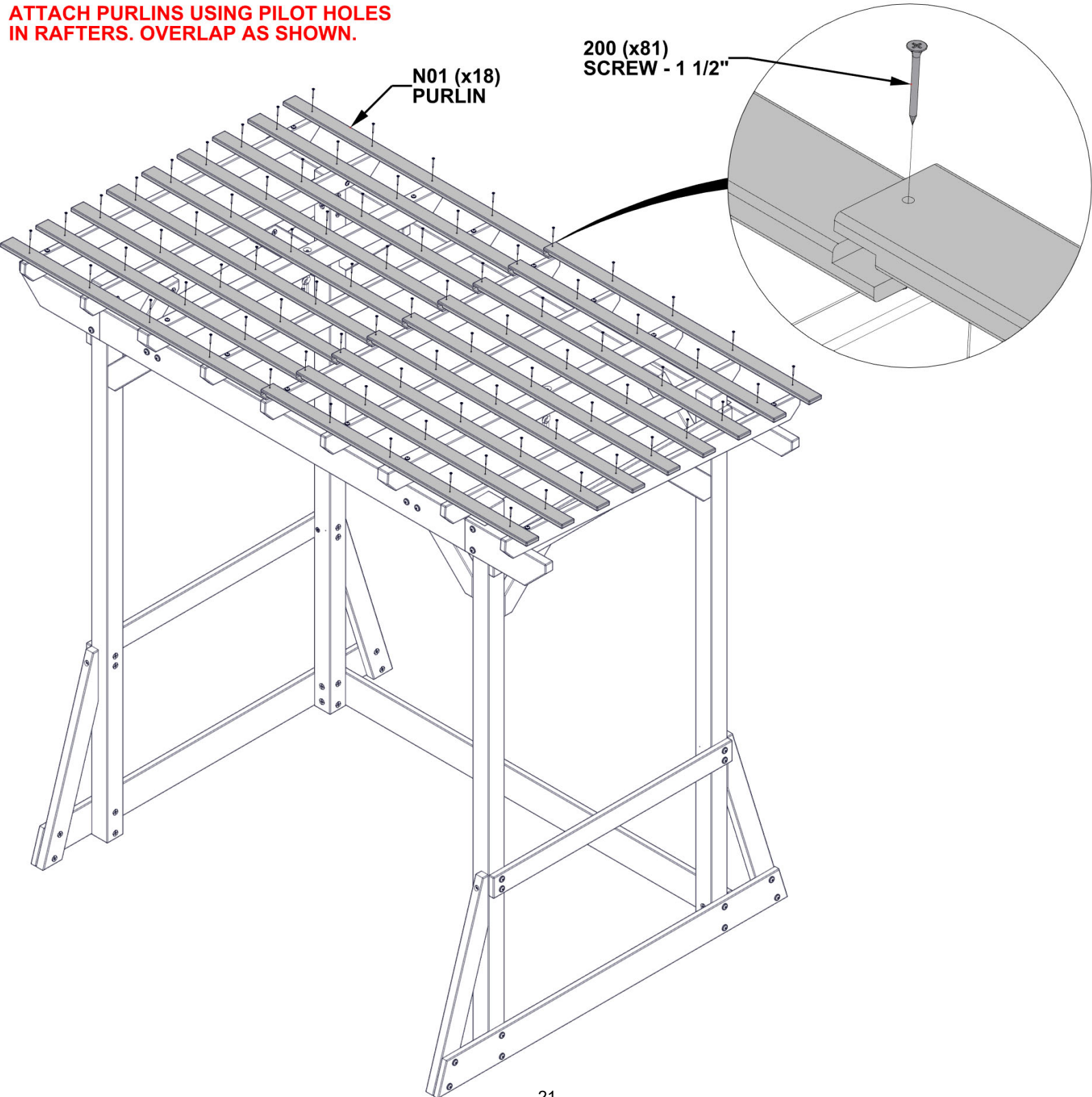
STEP 15 - PERGOLA ASSEMBLY

QTY	PART NUMBER	DESCRIPTION
81	H100200	SCREW PFH 8 X 1 1/2 BLK



N01 PURLIN - W4L17960
(x18) 5/8"x2 3/8"x49 1/2" (16x60x1257)

**ATTACH PURLINS USING PILOT HOLES
IN RAFTERS. OVERLAP AS SHOWN.**

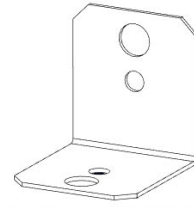


STEP 16 - PERGOLA ASSEMBLY

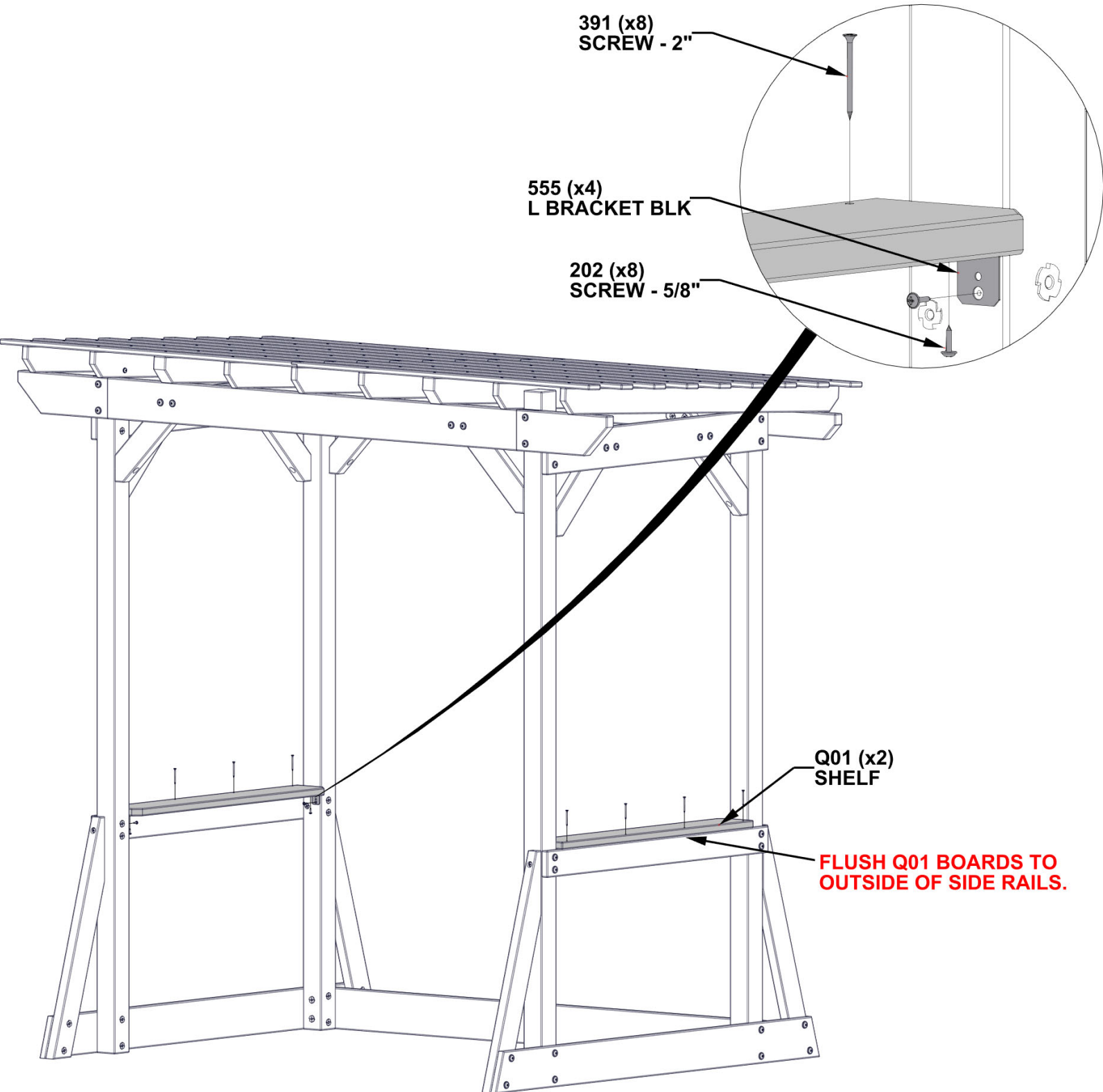
QTY	PART NUMBER	DESCRIPTION
8	H100202	SCREW PWH 8 X 5/8 BLK
8	H100391	SCREW PFH 8 X 2 BLK



Q01 SHELF - W4L17954
(x2) 15/16"x5 1/4"x38 7/16" (24x134x977)

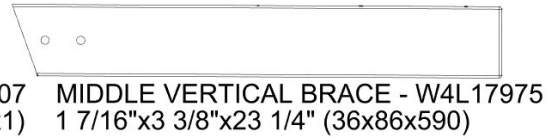
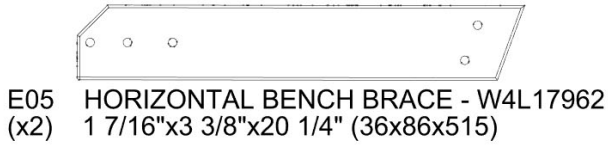
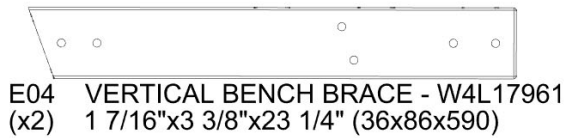


A4M00555 L BRACKET BLK
(x4)

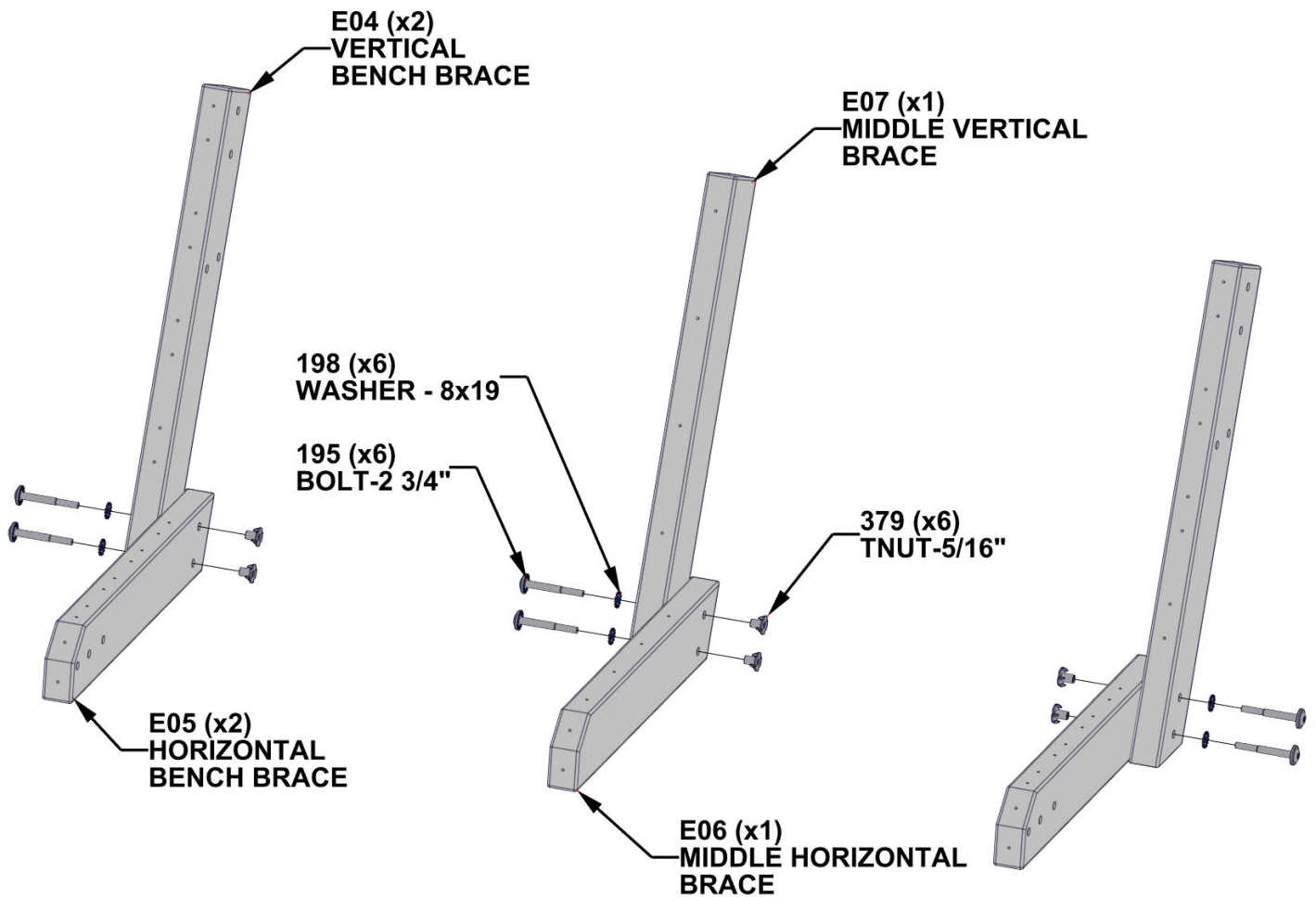


STEP 17 - SWING ASSEMBLY

QTY	PART NUMBER	DESCRIPTION
6	H100195	BOLT WH 5/16 X 2 3/4 BLK
6	H100198	WASHER LOCK EXT 8X19 BLK
6	H100379	T-NUT 5/16 BLK



INSERT T-NUTS FIRST.



**KEEP ALL BRACES ORIENTED
AS SHOWN FOR THE NEXT STEP.**

STEP 18 - SWING ASSEMBLY

QTY	PART NUMBER	DESCRIPTION
46	H100391	SCREW PFH 8 X 2 BLK



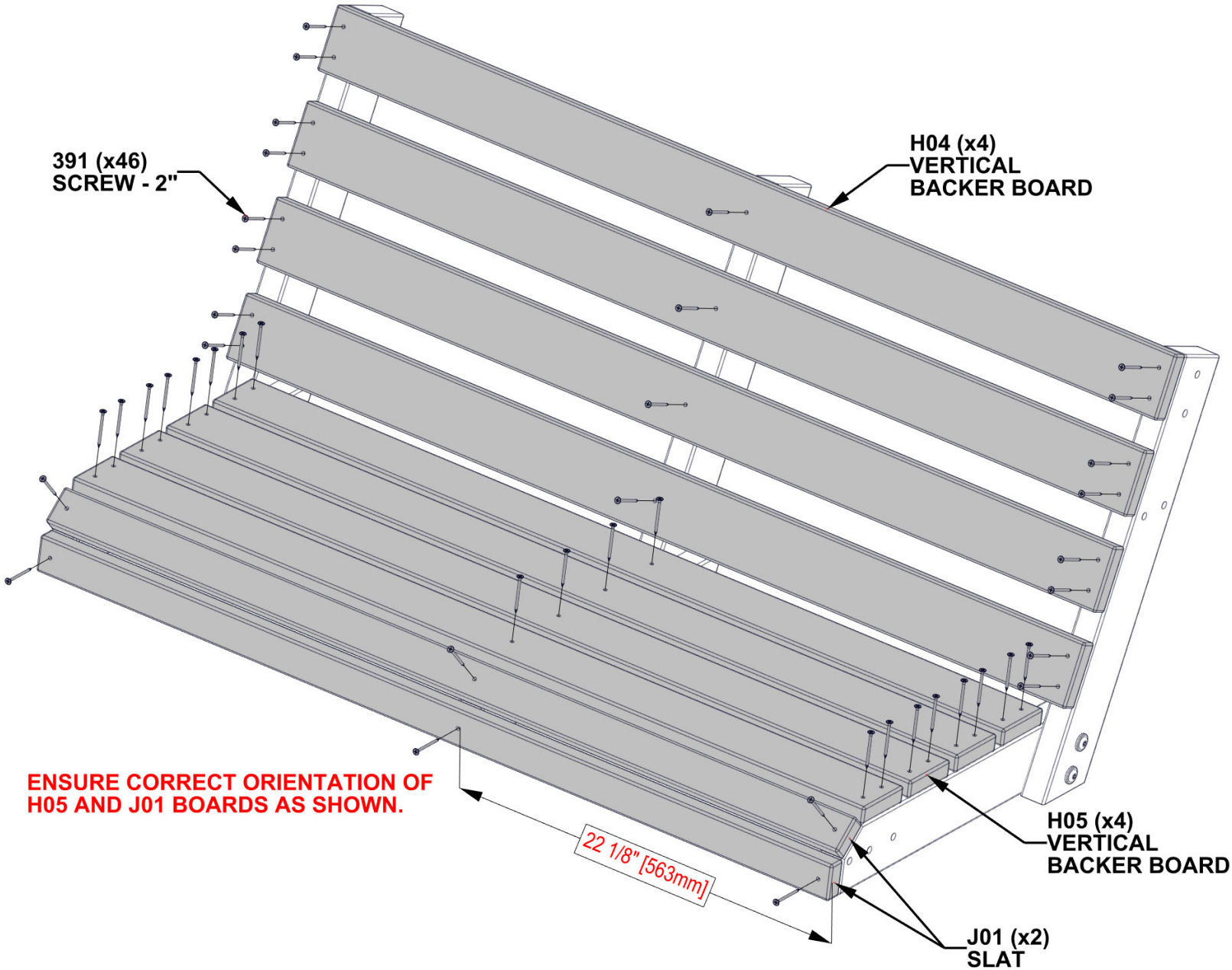
H04 VERTICAL BACKER BOARD - W4L17963
(x4) 15/16"x3 3/8"x50" (24x86x1270)



H05 VERTICAL BACKER BOARD - W4L17964
(x4) 15/16"x3 3/8"x47 3/16" (24x86x1198)



J01 SLAT - W4L17973
(x2) 15/16"x1 15/16"x47 3/16" (24x50x1198)

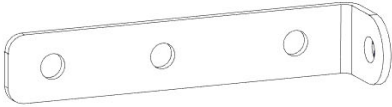


STEP 19 - SWING ASSEMBLY

QTY	PART NUMBER	DESCRIPTION
4	H100198	WASHER LOCK EXT 8X19 BLK
6	H100379	T-NUT 5/16 BLK
2	H100407	BOLT WH 5/16 X 1 1/2 BLK
4	H100484	BOLT WH 5/16 X 3 1/4 BLK

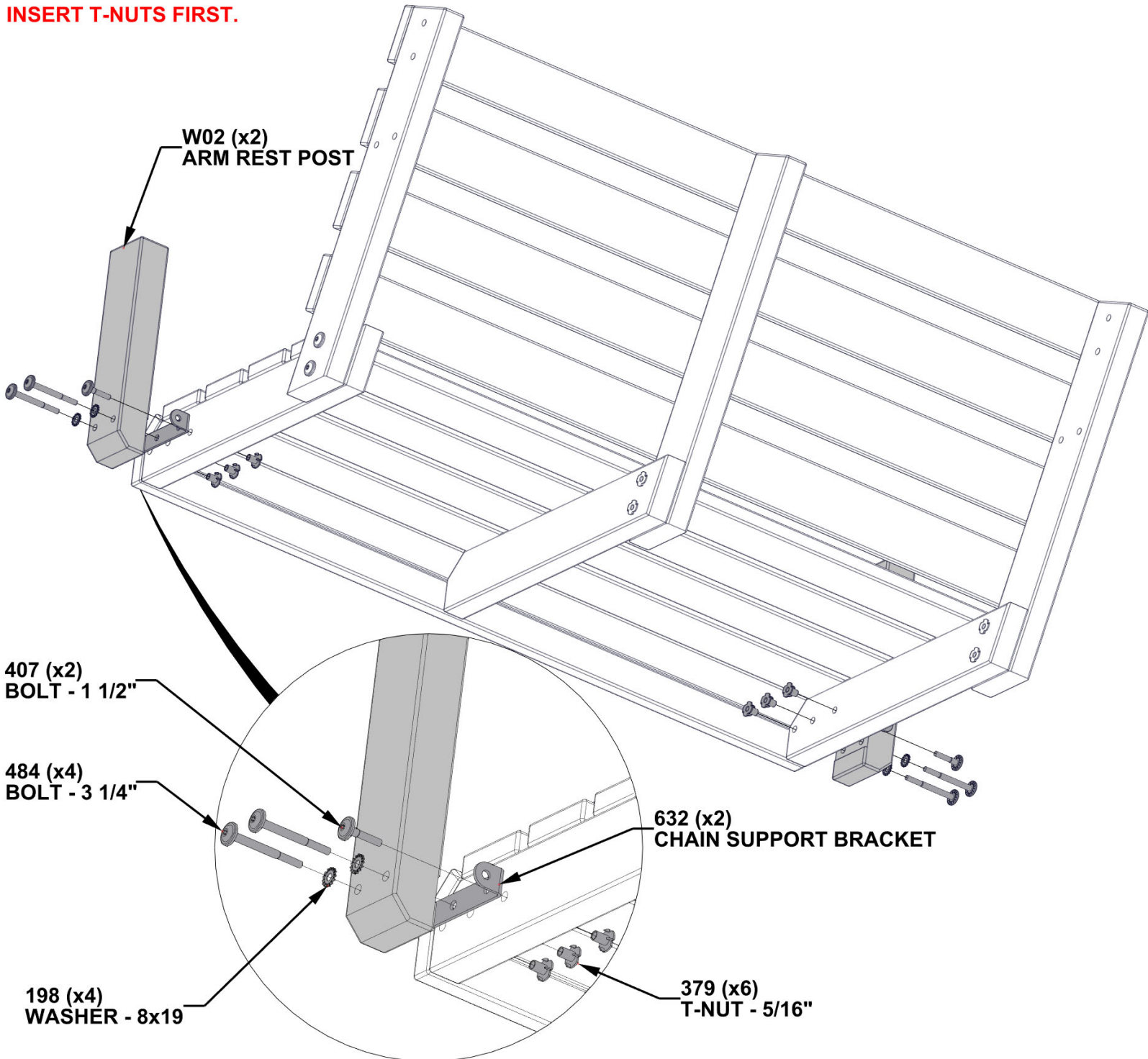


W02 ARM REST POST - W4L17965
(x2) 1 15/16"x3"x13" (50x76x330)

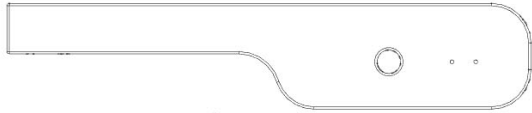


A4M00632 CHAIN SUPPORT BRACKET
(x2)

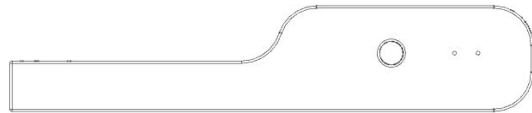
INSERT T-NUTS FIRST.



STEP 20 - SWING ASSEMBLY



D04 ARM REST - W4L17972
(x1) 1 7/16"x5 1/4"x26 1/8" (36x134x665)



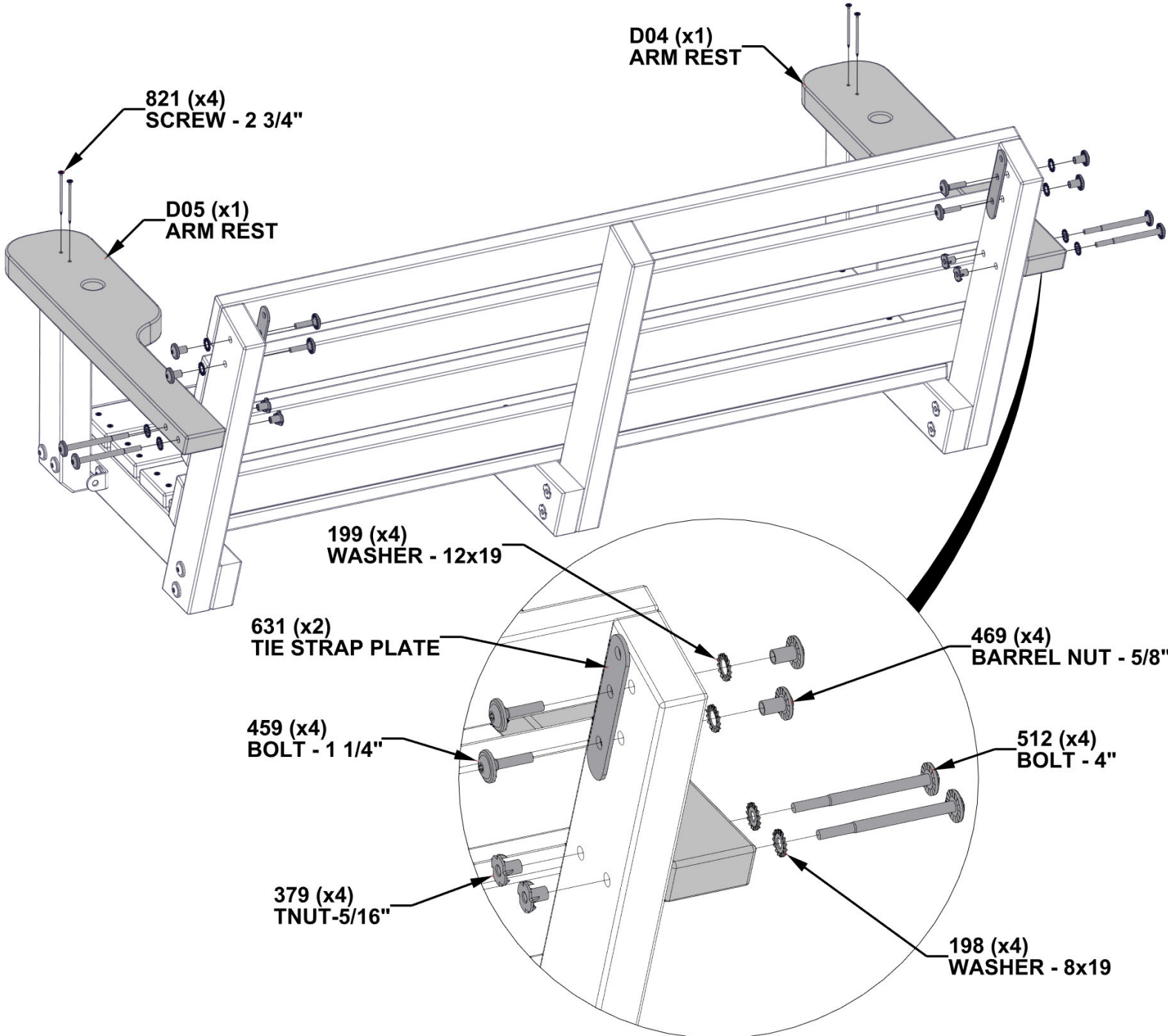
D05 ARM REST - W4L18436
(x1) 1 7/16"x5 1/4"x26 1/8" (36x134x665)

QTY	PART NUMBER	DESCRIPTION
4	H100198	WASHER LOCK EXT 8X19 BLK
4	H100199	WASHER LOCK EXT 12X19 BLK
4	H100379	T-NUT 5/16 BLK
4	H100459	BOLT WH 5/16 X 1 1/4 BLK
4	H100469	NUT BARREL WH 5/16 X 5/8 BLK
4	H100512	BOLT WH 5/16 X 4 BLK
4	H100821	SCREW PFH 8 X 2 3/4 BLK



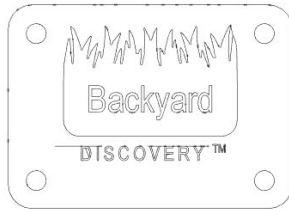
A4M00631 TIE STRAP PLATE
(x2)

INSERT T-NUTS FIRST.

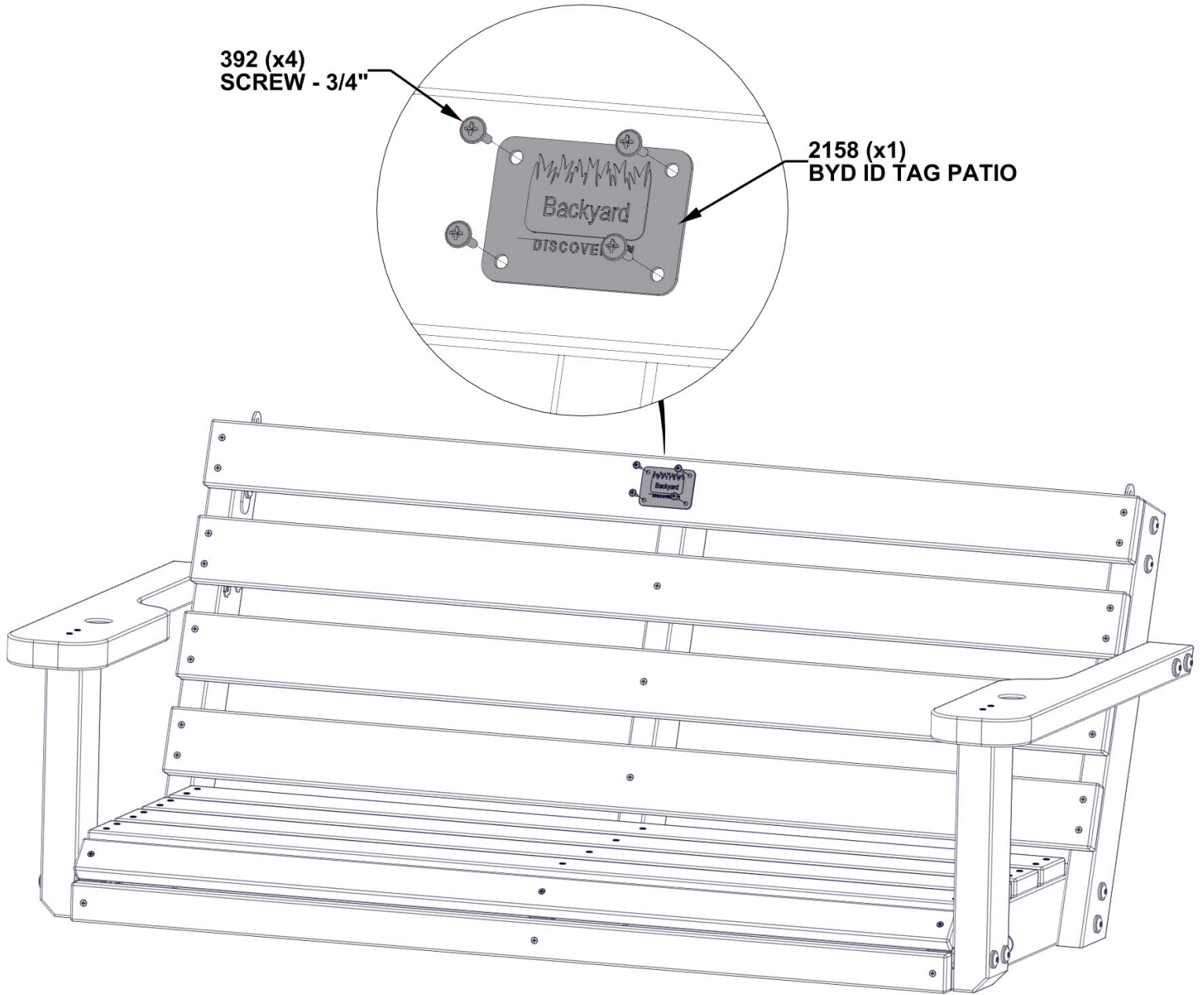


STEP 21 - SWING ASSEMBLY

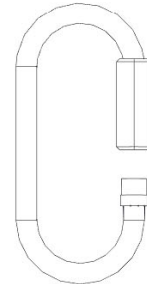
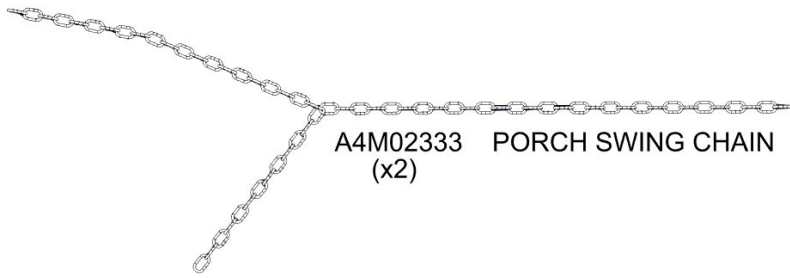
QTY	PART NUMBER	DESCRIPTION
4	H100392	SCREW PWH 8 X 3/4 BLK



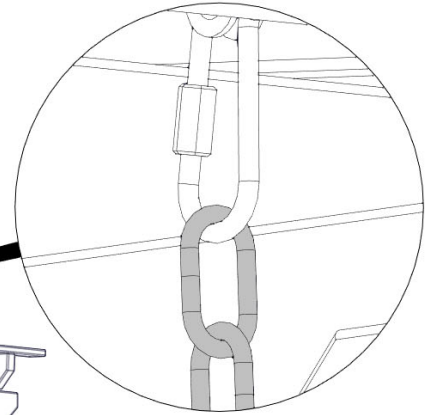
A4M02158 BYD ID TAG PATIO
(x1)



STEP 22 - PERGOLA SWING ASSEMBLY



ENSURE CHAIN IS ORIENTED CORRECTLY AS SHOWN. THE MIDDLE LENGTH OF THE THREE ENDS OF THE CHAIN GOES THROUGH THE HOLE IN THE ARM REST AND ATTACHES TO THE BRACKET.

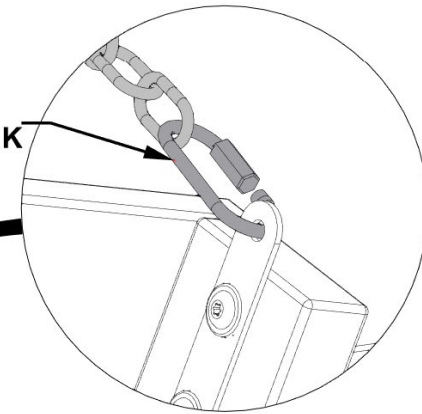


2333 (x2)
PORCH SWING CHAIN

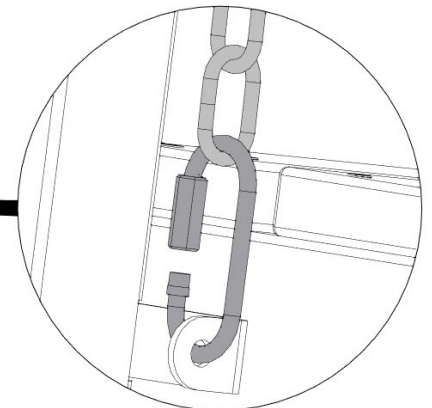
LONGEST

0633 (x4)
QUICK LINK

SHORTEST



ATTACH CHAIN ENDS TO QUICK LINKS, THEN TIGHTEN AND CLOSE QUICK LINKS.



STEP 23 - PERGOLA SWING ASSEMBLY

QTY	PART NUMBER	DESCRIPTION
4	H100197	LAG SCREW WH 5/16 X 2 1/2 BLK



A100178 AUGER GROUND STAKE BROWN
(x4)

TO ATTACH AUGERS, PRE-DRILL WITH A 1/4" [6mm] DRILL BIT GOING THROUGH GROUND RAIL BOARDS INTO POSTS AS SHOWN.

