



Manufactured by:  
Backyard Discovery  
3305 Airport Drive, Pittsburg, KS 66762  
800-856-4445

Basepoint Business Centre: Rivermead Drive, Westlea, Swindon SN5 7EX Phone: 0800-118-2476  
J.P. Coenstraat 7, The Bridge, The Hague, 2595 WP, Netherlands Phone: 08005678990

# 20x9.5 Arcadia Gazebo

## MODEL # : 2306066B



Please visit [www.backyarddiscovery.com](http://www.backyarddiscovery.com)  
For the most up to date assembly manual, to register your product, or to order replacement parts *Para obtener instrucciones en español, visite* [www.backyarddiscovery.com](http://www.backyarddiscovery.com)



EASY STEP-BY-STEP  
3D INTERACTIVE INSTRUCTIONS  
DOWNLOAD THE FREE APP



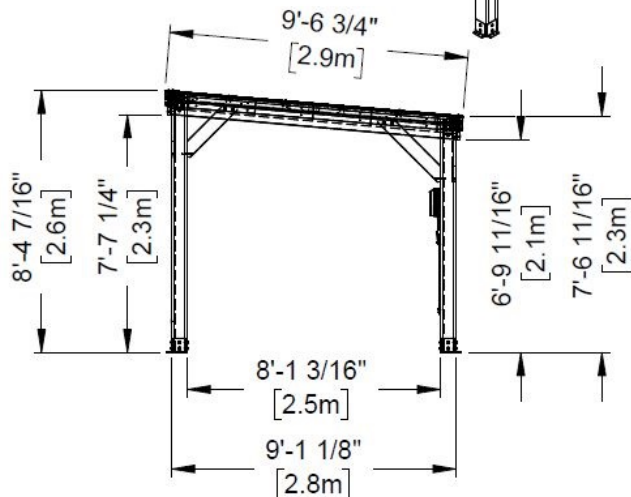
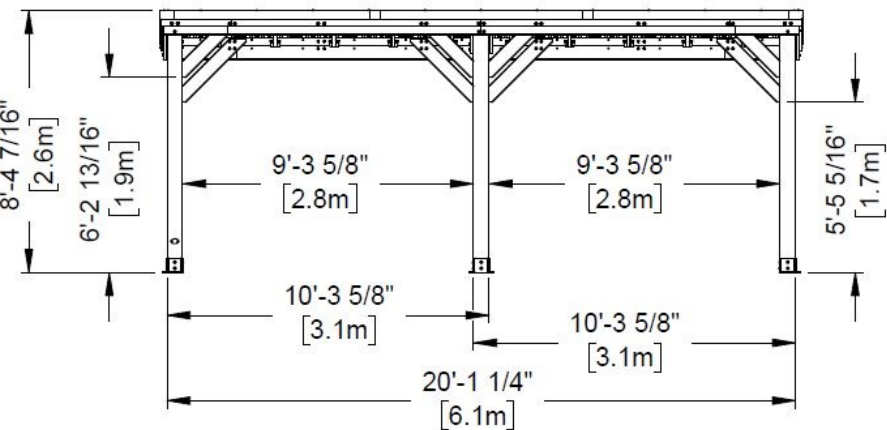
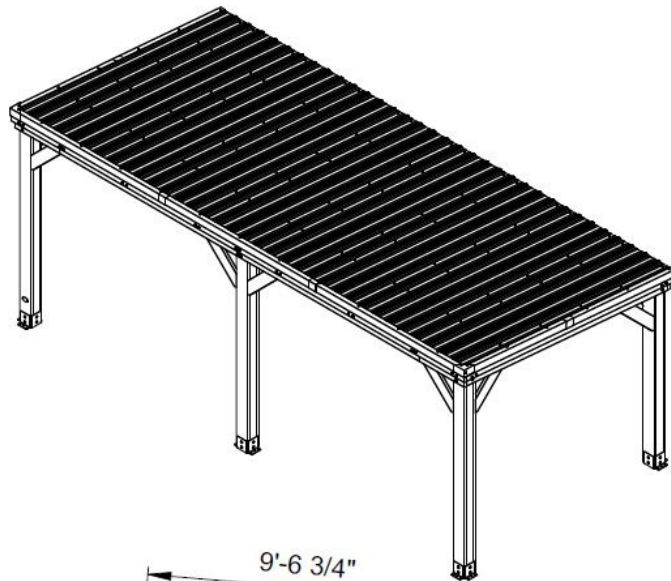
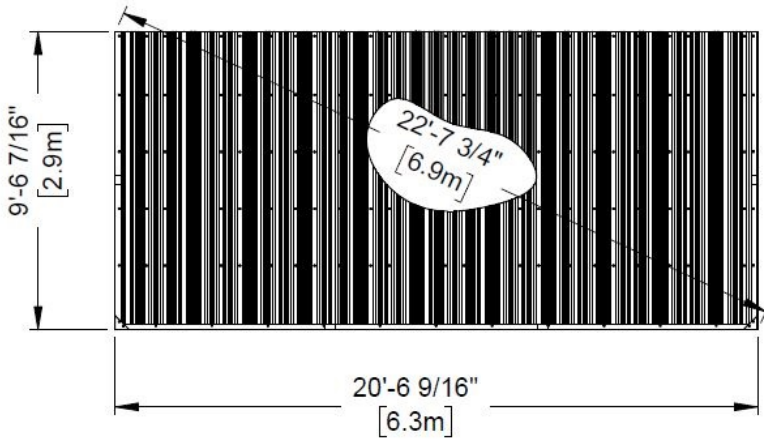
# OWNER'S MANUAL - BASIC SETUP DIMENSIONS & ASSEMBLY NOTES

It is critically important that you start with square and level footings, concrete pad or deck to attach your structure

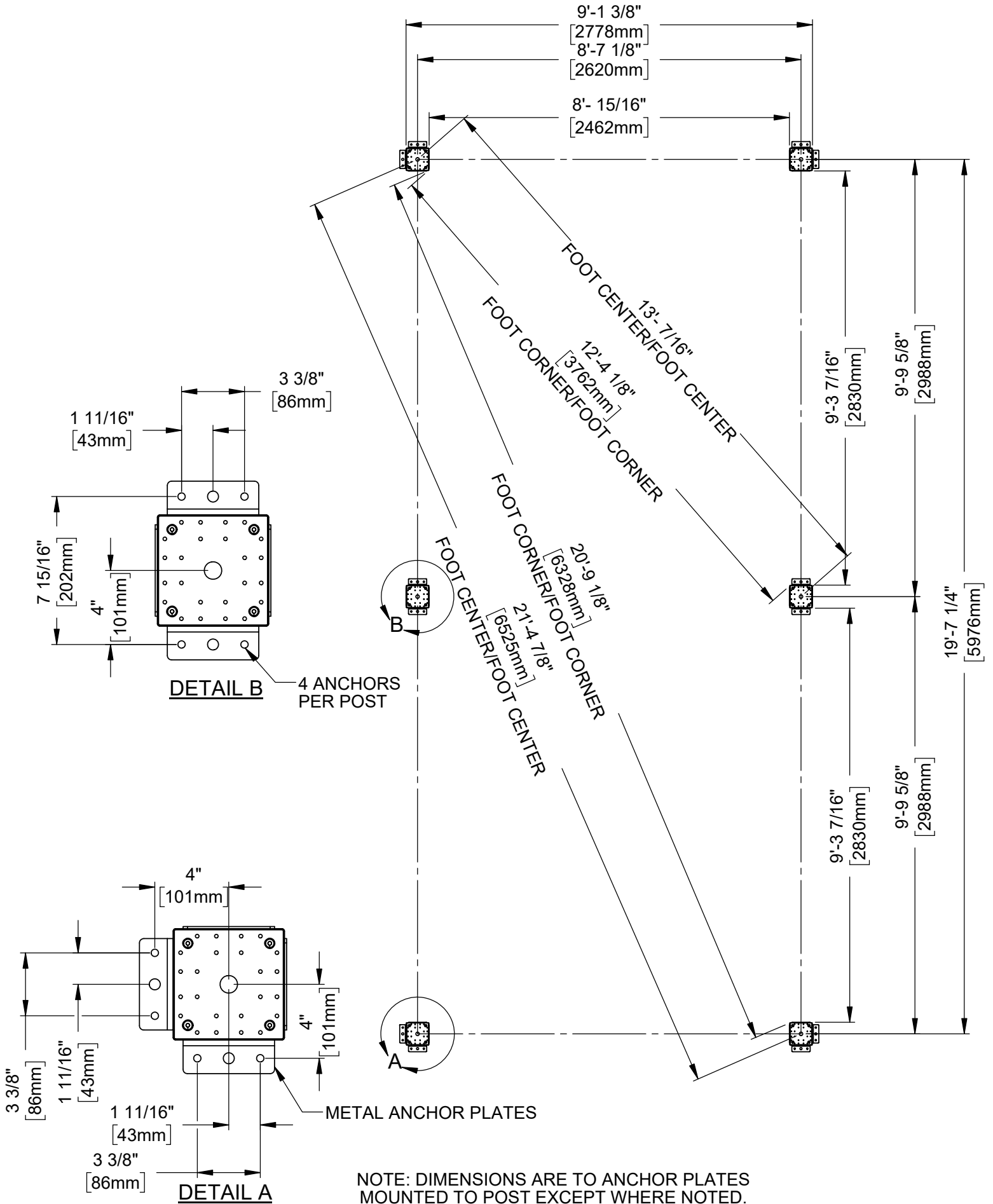
- Pay close attention to the items needed for each step. Make sure you are using the correct hardware for each step. Using incorrect hardware may result in improper assembly
- Remember to double check for underground utilities and overhead electrical lines

**Post mounts are provided with your structure which allows you to permanently install your structure to a pre-existing or new wood or concrete surface. See Anchor Instructions for further details and recommendations.**

- The hardware to attach the post mounts to the structure is included.
- The hardware to mount the structure permanently to a concrete surface is included.
- The hardware to mount the structure permanently to a wood deck is NOT included and will need to be purchased separately. You must ensure there is ample structural support under the deck before permanently attaching.



# OWNER'S MANUAL - ANCHORING LAYOUT



# OWNER'S MANUAL - PARTS IDENTIFICATION

## Wood Components (Not to Scale)



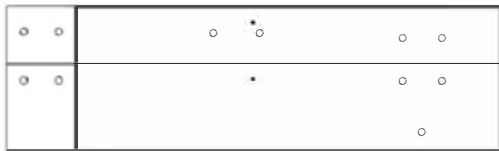
E01 RAFTER - W4L17405  
(x12) 1 7/16"x3 3/8"x109 3/4" (36x86x2787)



J08 JOIST ASSEMBLY - W2A03641  
(x1) 1 7/16"x8 7/16"x110 5/16" (36x214x2801)



J07 JOIST ASSEMBLY - W2A03640  
(x1) 36X8 7/16"X110 5/16" (36x214x2801)



J06 JOIST END ASSEMBLY - W2A04078  
(x1) 1 7/16"x8 7/16"x28 7/16" (36x214x722)



J01 JOIST END ASSEMBLY - W2A04077  
(x1) 1 7/16"x8 7/16"x28 7/16" (36x214x722)



J03 JOIST END ASSEMBLY - W2A04079  
(x1) 1 7/16"x8 7/16"x28 7/16" (36x214x722)



J04 JOIST ASSEMBLY - W2A04080  
(x1) 1 7/16"x8 7/16"x28 7/16" (36x214x722)



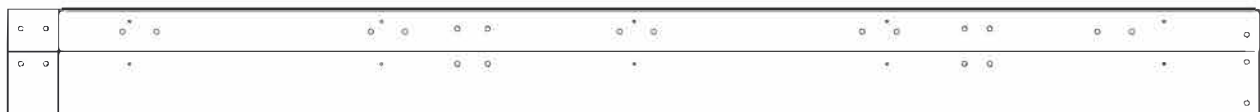
J09 JOIST ASSEMBLY - W2A04085  
(x1) 1 7/16"x8 7/16"x97 9/16" (36x214x2478)



J10 JOIST ASSEMBLY - W2A04086  
(x1) 1 7/16"x8 7/16"x97 9/16" (36x214x2478)



J02 JOIST ASSEMBLY - W2A04083  
(x1) 1 7/16"x8 7/16"x97 9/16" (36x214x2478)



J05 JOIST ASSEMBLY - W2A04084  
(x1) 1 7/16"x8 7/16"x97 9/16" (36x214x2478)

# OWNER'S MANUAL - PARTS IDENTIFICATION

## Wood Components (Not to Scale)



D01 CORBEL - W4L17290  
(x7) 1 7/16"x5 1/4"x34 7/16" (36x134x874)



D02 CORBEL W/TAG - W2A03544  
(x1) 1 7/16"x5 1/4"x34 7/16" (36x134x874)



D03 CORBEL - W4L17297  
(x2) 1 3/8"x5 1/4"x27 1/4" (36x134x692)



D04 CORBEL - W4L17299  
(x2) 1 3/8"x5 1/4"x33 7/8" (36x134x860)



D05 BRACE BEAM - W4L17415  
(x2) 1 7/16"x5 1/4"x110" (36x134x2794)



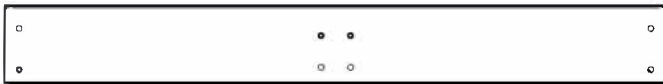
G01 FASCIA - W4L19625  
(x2) 15/16"x5 1/4"x100 15/16" (24x134x2564)



G05 FASCIA - W4L19627  
(x2) 15/16"x5 1/4"x100 15/16" (24x134x2564)



G03 FASCIA - W4L17410  
(x2) 15/16"x5 1/4"x112 13/16" (24x134x2866)



G02 FASCIA - W4L19626  
(x1) 15/16"x5 1/4"x44 1/8" (24x134x1120)



G06 FASCIA - W4L19628  
(x1) 15/16"x5 1/4"x44 1/8" (24x134x1120)



H01 PURLIN - W4L19245  
(x4) 15/16"x3 3/8"x92 1/16" (24x86x2338)



H02 PURLIN - W4L19246  
(x4) 15/16"x3 3/8"x73 1/4" (24x86x1860)



H03 PURLIN - W4L19247  
(x4) 15/16"x3 3/8"x80 9/16" (24x86x2046)

# OWNER'S MANUAL - PARTS IDENTIFICATION

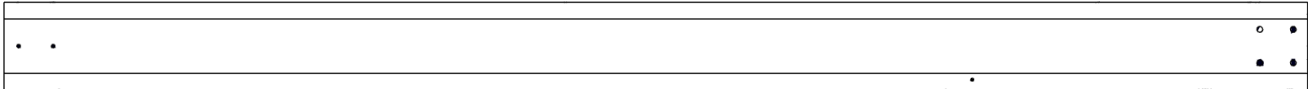
## Wood Components (Not to Scale)



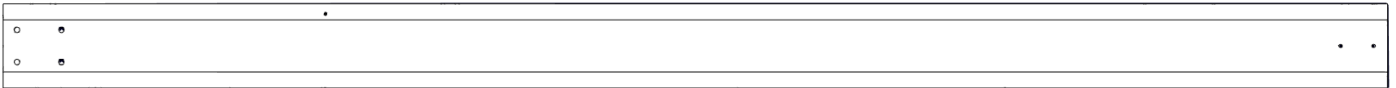
J11 CLEAT - W4L17411  
(x2) 15/16"x2 3/8"x97 9/16" (24x60x2479)



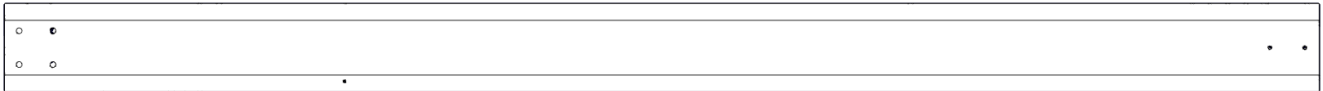
P01 POST - W2A03634  
(x1) 6"x6"x98 1/2" (152x152x2502)



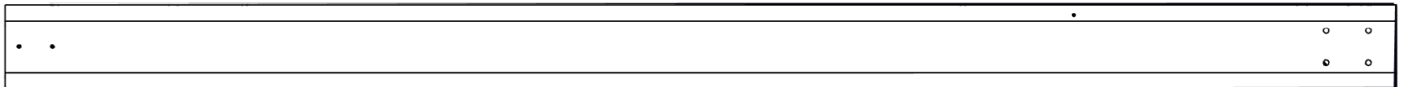
P02 POST - W2A03636  
(x1) 6"x6"x89 1/16" (152x152x2262)



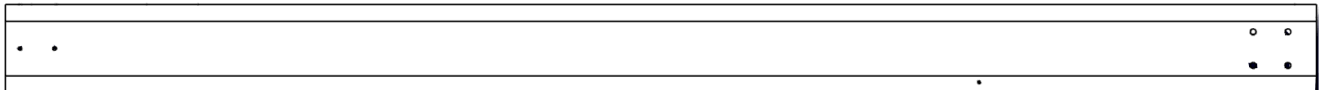
P03 POST - W2A03635  
(x1) 6"x6"x98 1/2" (152x152x2502)



P04 POST - W2A03637  
(x1) 6"x6"x89 1/16" (152x152x2262)



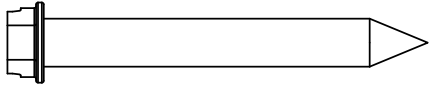
P05 POST - W2A03632  
(x1) 6"x6"x98 1/2" (152x152x2502)



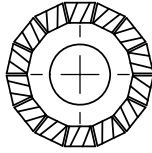
P06 POST - W2A03633  
(x1) 6"x6"x89 1/16" (152x152x2262)

# OWNER'S MANUAL - PARTS IDENTIFICATION

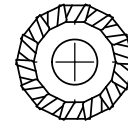
## Hardware Components



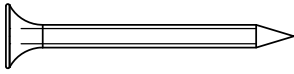
**H100120 | CONCRETE ANCHOR**  
(x24) | 1/4x2



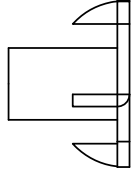
**H100198 | WASHER LOCK EXT BLK**  
(x116) | 8x19



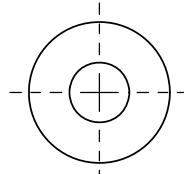
**H100405 | WASHER LOCK EXT BLK**  
(x12) | 6x15



**H100200 | SCREW PFH BLK**  
(x24) | 8x1-1/2



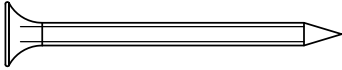
**H100379 | T-NUT BLK**  
(x152) | 5/16



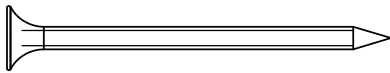
**H100630 | WASHER FLAT BLK**  
(x48) | 8x19



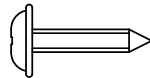
**H100653 | NUT LOCK BLK**  
(x24) | 1/4



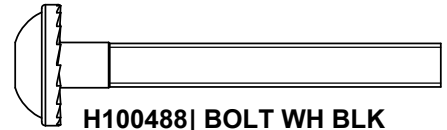
**H100382 | SCREW PFH BLK**  
(x112) | 8x1-3/4



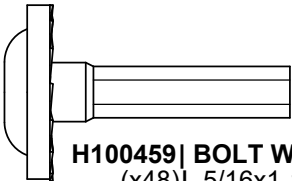
**H100391 | SCREW PFH BLK**  
(x80) | 8x2



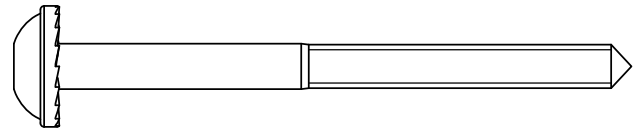
**H100202 | SCREW PWH BLK**  
(x4) | 8x5/8



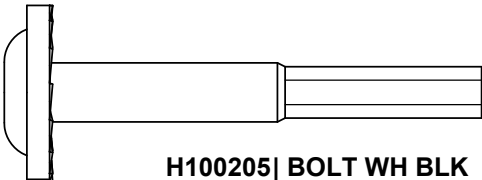
**H100488 | BOLT WH BLK**  
(x24) | 1/4x2



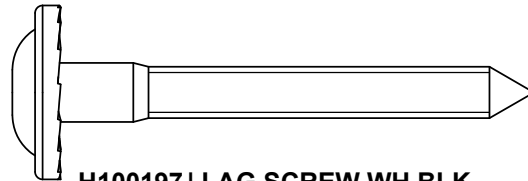
**H100459 | BOLT WH BLK**  
(x48) | 5/16x1-1/4



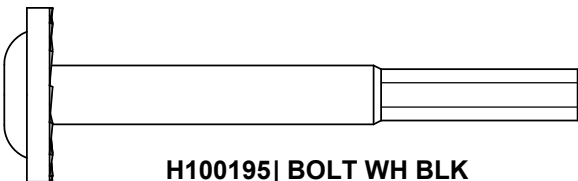
**H100792 | LAG SCREW WH BLK**  
(x12) | 1/4x3



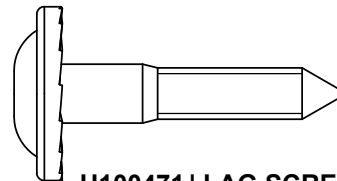
**H100205 | BOLT WH BLK**  
(x16) | 5/16x2-1/4



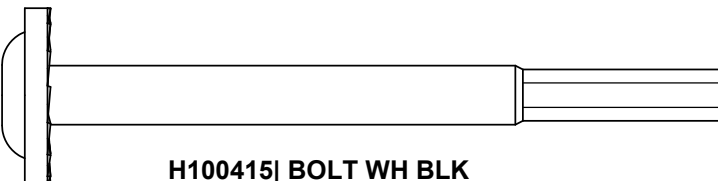
**H100197 | LAG SCREW WH BLK**  
(x12) | 5/16x2-1/2



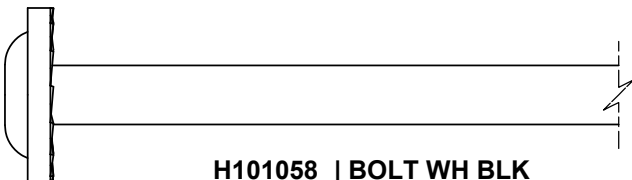
**H100195 | BOLT WH BLK**  
(x8) | 5/16x2-3/4



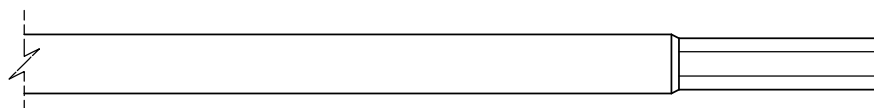
**H100471 | LAG SCREW WH BLK**  
(x48) | 5/16x1-1/2



**H100415 | BOLT WH BLK**  
(x32) | 5/16x3-3/4

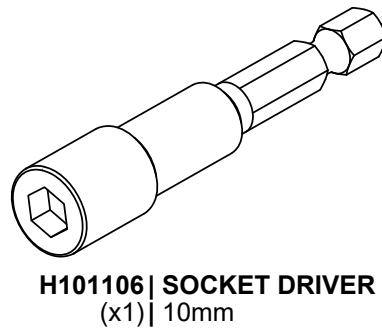
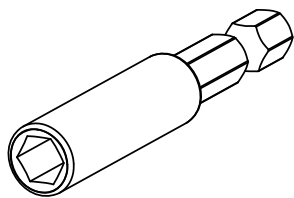
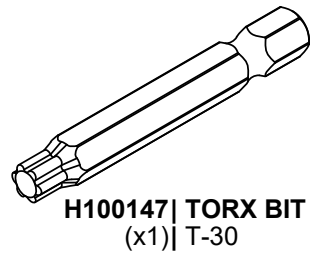
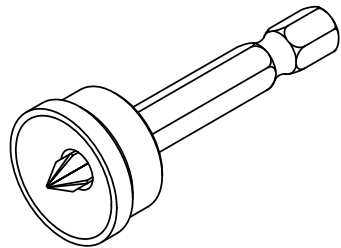
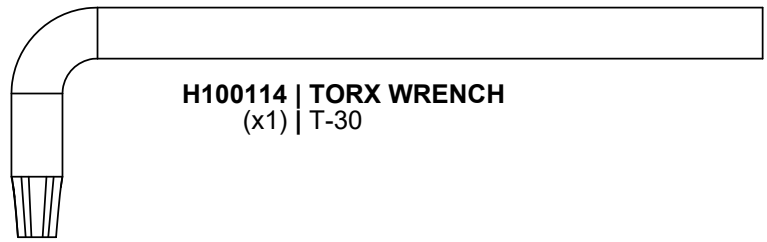
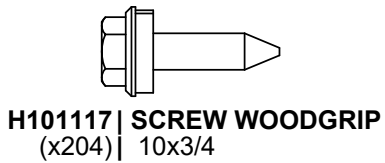
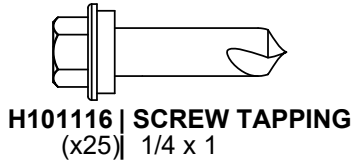
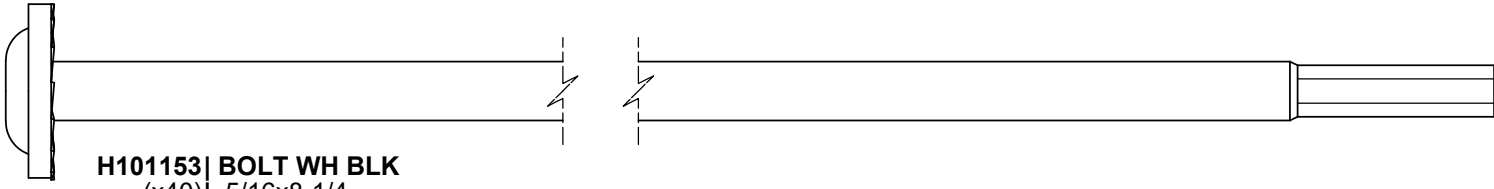


**H101058 | BOLT WH BLK**  
(x8) | 5/16x8-3/4



# OWNER'S MANUAL - PARTS IDENTIFICATION

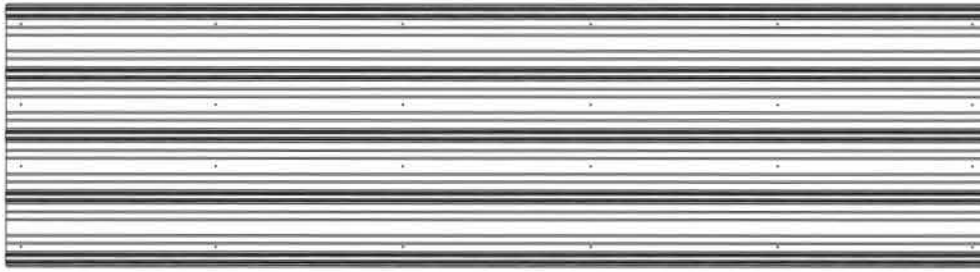
## Hardware Components



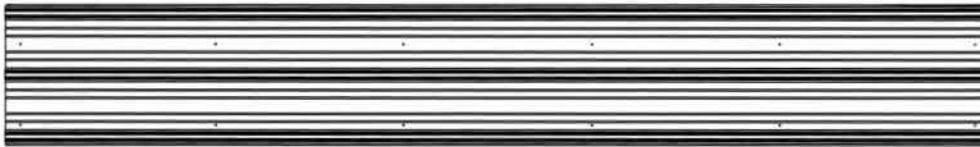


# OWNER'S MANUAL - PARTS IDENTIFICATION

## Accessory Components (Not to Scale)



A4M02738 29GA SHEETING  
(x8)



A4M02739 29GA SHEETING  
(x1)



9205413 ELECTRICAL ENCLOSURE  
(x1)



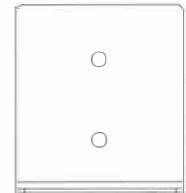
A4M02737 TRIM LONG  
(x3)



A4M02733 TRIM SHORT  
(x4)



A4M02734 TRIM SPLICE  
(x4)



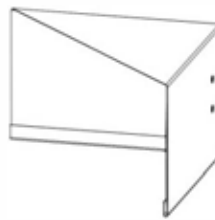
A4M00977 POST ANCHORING PLATE  
(x12)



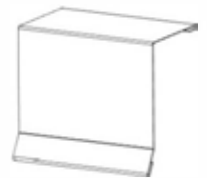
A4M02798 DRIP EDGE  
(x3)



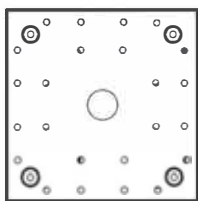
A4M02735 CORNER SPLICE TRIM RH  
(x1)



A4M02736 CORNER SPLICE TRIM LH  
(x1)



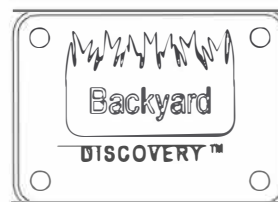
A4M02794 DRIP EDGE TRIM  
(x2)



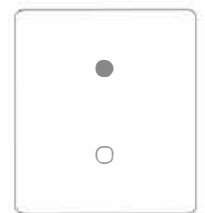
A6P00308 6x6 POST FOOT  
(x6)



A4M01787 RAFTER BRACKET  
(x24)



A4M02158 BYD ID TAG PATIO  
(x1)



A4M00978 POST PLATE  
(x12)

# PRE-ASSEMBLY STEP 1 - SORTING PARTS

It is critical for ease of assembly that you take the time to sort and organize the wood and hardware.

---

## WOOD PARTS:

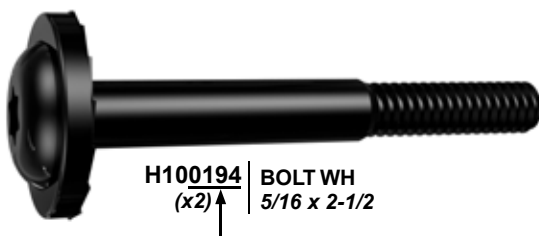
- Organize wood parts by the three-digit, alpha-numeric number stamped on each board (ex. P01).
- If there are multiple boards with the same stamped number, stack those pieces together.
- Stamps can be found on the flat surface of the boards or on the end of the boards.
- Allow yourself plenty of room - the wood pieces can take up a significant amount of space.

**NOTE: CARTONS ARE NOT ORGANIZED BY BOARD NUMBER.**



## HARDWARE PARTS:

- We recommend that you have a separate table to organize the hardware.
- Hardware bags are printed with a seven-digit, alpha-numeric part number.
- You can organize your hardware by part number or group by hardware type (i.e. bolts, nuts, etc.).
- During assembly you only need to reference the last four digits of the number.



H100194 | BOLT WH  
(x2) ↑ 5/16 x 2-1/2

# PRE-ASSEMBLY STEP 2 - TOOLS REQUIRED



Cordless Drill or  
Electric Drill



Drill Attachments:  
Phillips Head



1/8", 3/16", 3/8" &  
7/16" Drill Bits



Phillips Screw Driver



Tape Measure



Claw Hammer



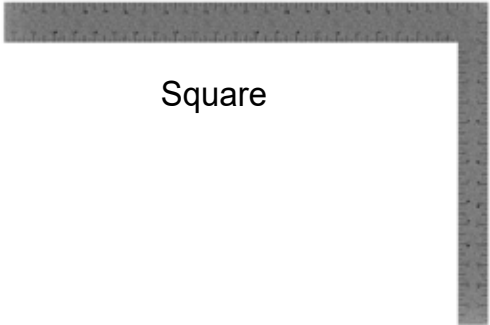
Open End  
Wrenches 1/2" &  
7/16"



3/8" Drive Ratchet, 1/2" &  
7/16" STD Sockets, 1/2" &  
7/16" Deep Sockets



3/8 & 5/16" Nut Drivers



Square



Level 24"



Rubber Mallet -  
Optional

# PRE-ASSEMBLY STEP 3 - CHOOSE YOUR ASSEMBLY METHOD

There are several types of assembly instructions available to you.

1. Printed Assembly Manual included with your set
2. BILT APP - 3D interactive instructions
3. Combination of the Printed Manual and BILT APP (Note: Step numbers can differ between the two methods)



# STEP 1 - LEFT SIDE ASSEMBLY

Qty	PART NUMBER	DESCRIPTION
8	H100200	SCREW PFH 8x1 1/2 BLK



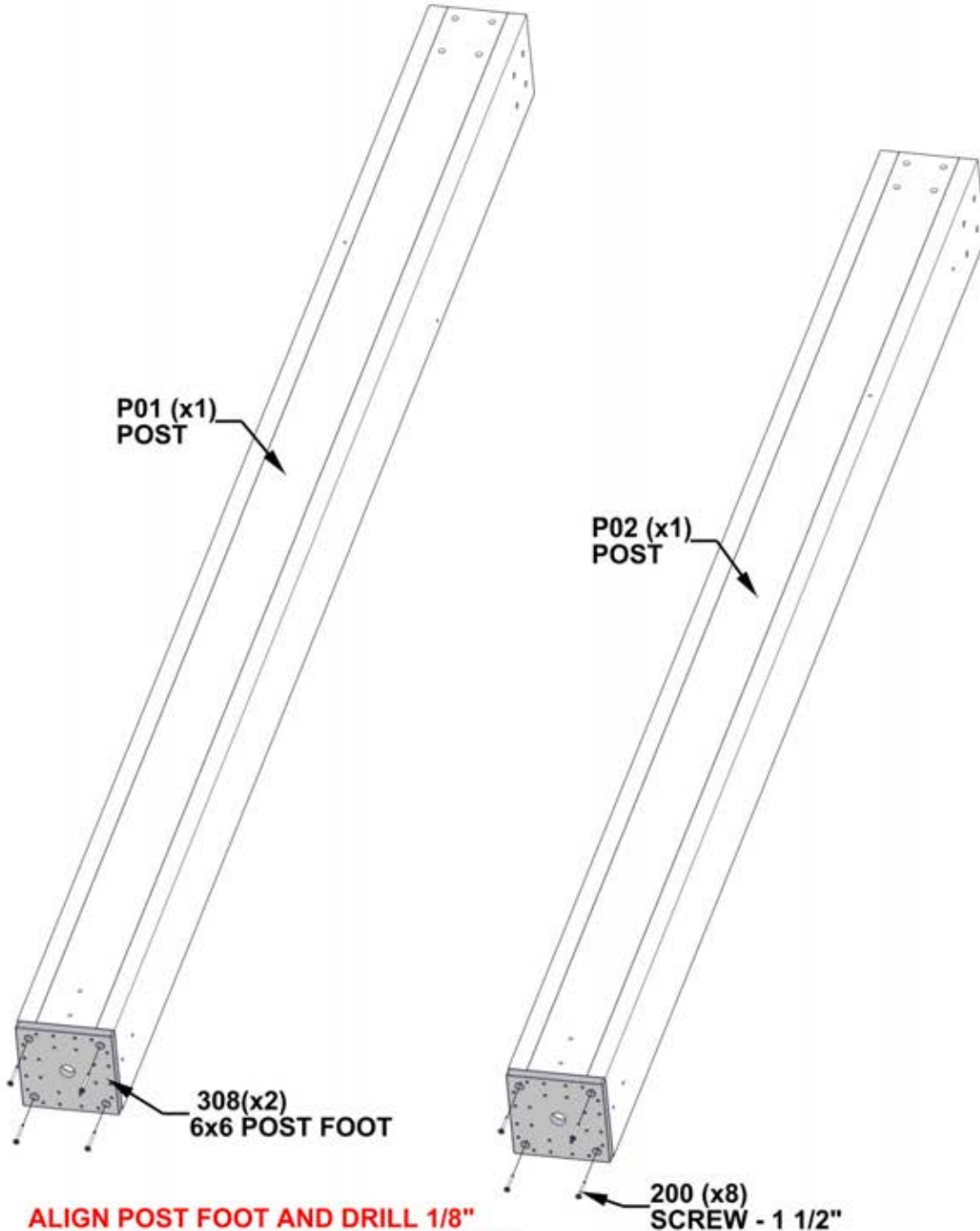
P01 POST - W2A03634  
(x1) 6"x6"x98 1/2" (152x152x2502)



A6P00308 6x6 POST FOOT  
(x2)



P02 POST - W2A03636  
(x1) 6"x6"x89 1/16" (152x152x2262)



**ALIGN POST FOOT AND DRILL 1/8" PILOT HOLES FOR THE ATTACHMENT OF HARDWARE.**

# STEP 2 - LEFT SIDE ASSEMBLY

Qty	PART NUMBER	DESCRIPTION
4	H100195	BOLT WH 5/16x2 3/4 BLK
4	H100198	WASHER LOCK EXT 8x19
4	H100379	T-NUT 5/16 BLK



D03 CORBEL - W4L17297  
(x1) 1 3/8"x5 1/4"x27 1/4" (36x134x692)

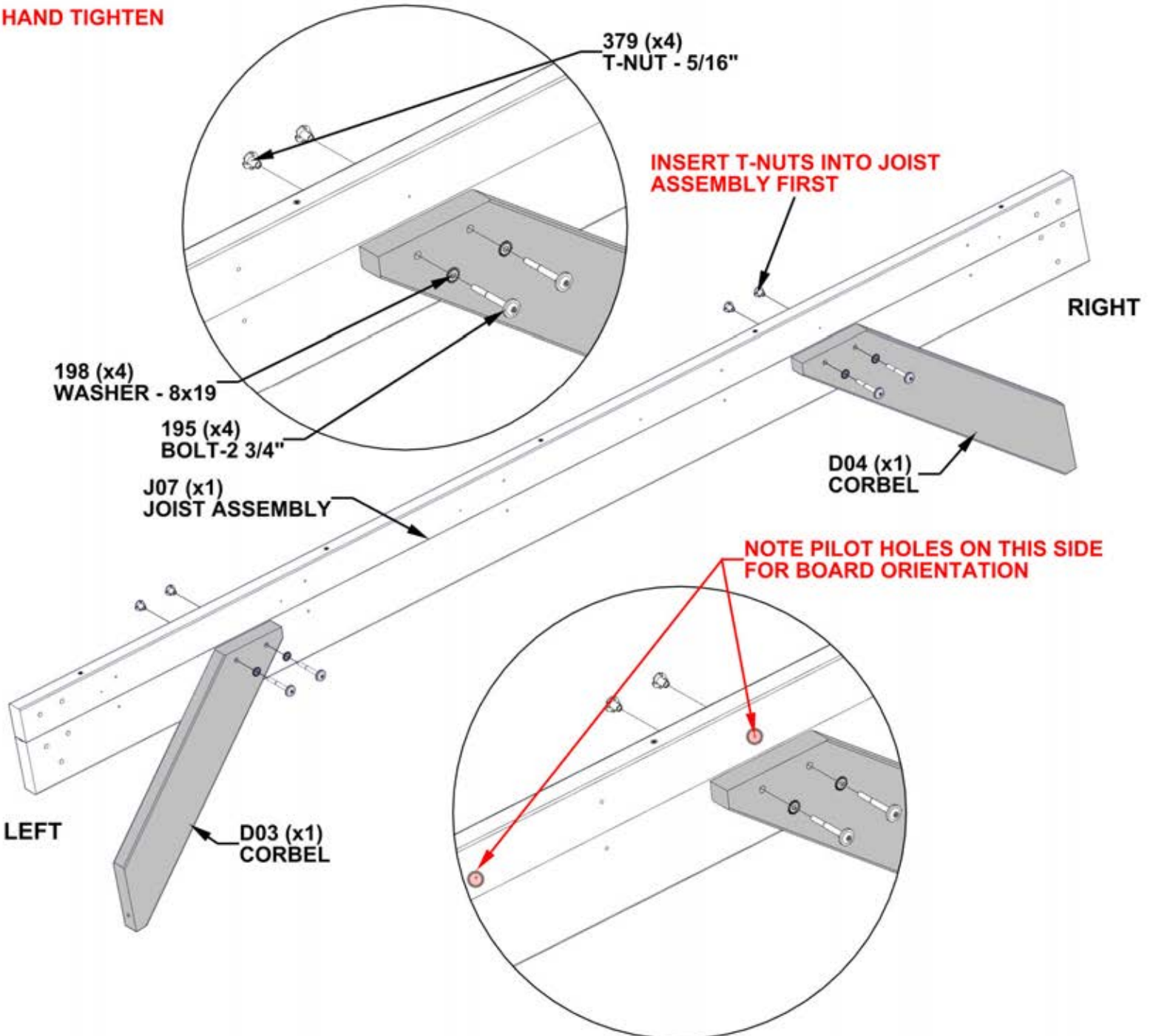


D04 CORBEL - W4L17299  
(x1) 1 3/8"x5 1/4"x33 7/8" (36x134x860)



J07 JOIST ASSEMBLY - W2A03640  
(x1) 36X8 7/16"X110 5/16" (36x214x2801)

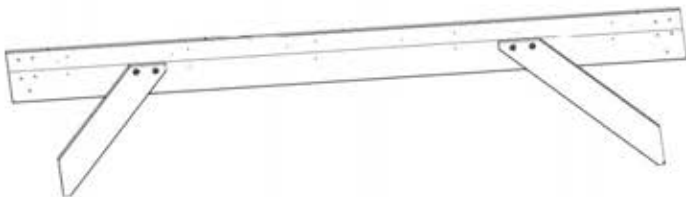
**HAND TIGHTEN**





# STEP 3A - LEFT SIDE ASSEMBLY

Qty	PART NUMBER	DESCRIPTION
2	H100197	LAG SCREW WH 5/16x2 1/2 BLK
10	H100198	WASHER LOCK EXT 8x19
8	H100379	TNUT-5/16" BLK
2	H100405	WASHER LOCK EXT 6x15
2	H100792	LAG SCREW WH 1/4x3 BLK
8	H101153	BOLT WH 5/16x8 1/4 BLK



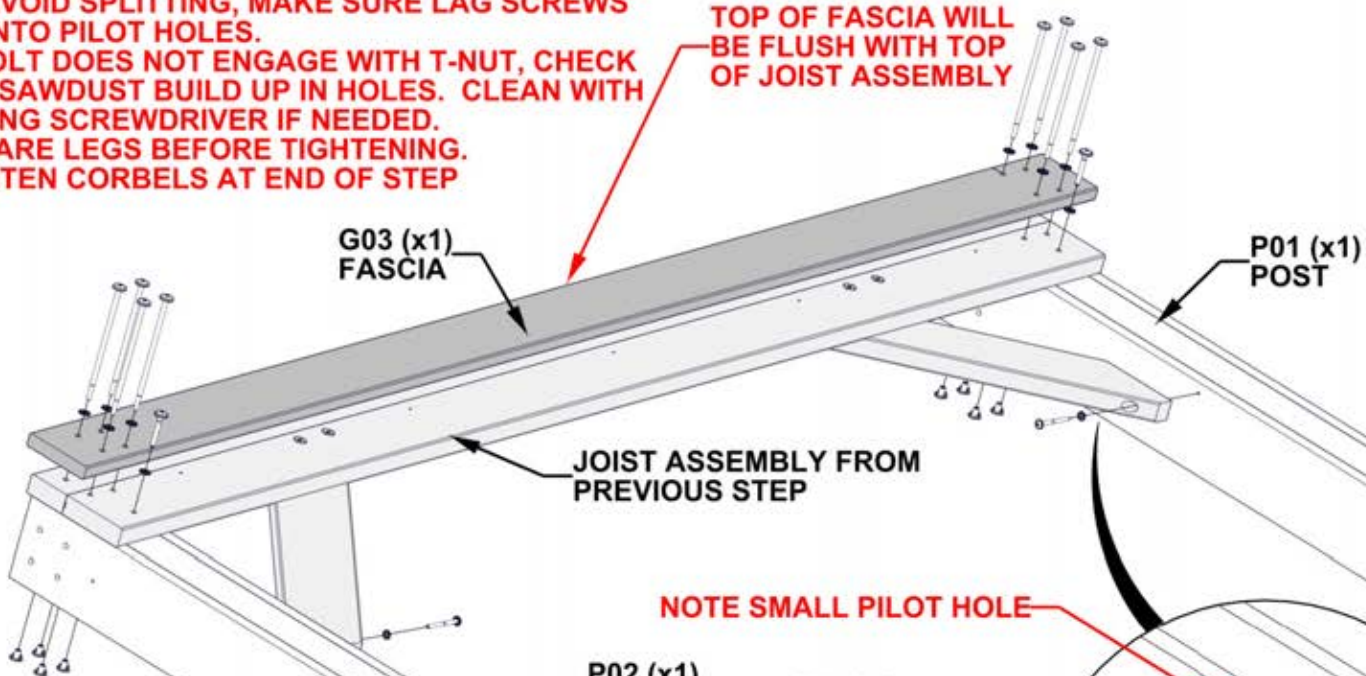
JOIST ASSEMBLY - FROM PREVIOUS STEP



G03 FASCIA - W4L17410  
(x1) 15/16"x5 1/4"x112 13/16" (24x134x2866)

- NOTES:**
- TO AVOID SPLITTING, MAKE SURE LAG SCREWS GO INTO PILOT HOLES.
  - IF BOLT DOES NOT ENGAGE WITH T-NUT, CHECK FOR SAWDUST BUILD UP IN HOLES. CLEAN WITH A LONG SCREWDRIVER IF NEEDED.
  - SQUARE LEGS BEFORE TIGHTENING.
  - TIGHTEN CORBELS AT END OF STEP

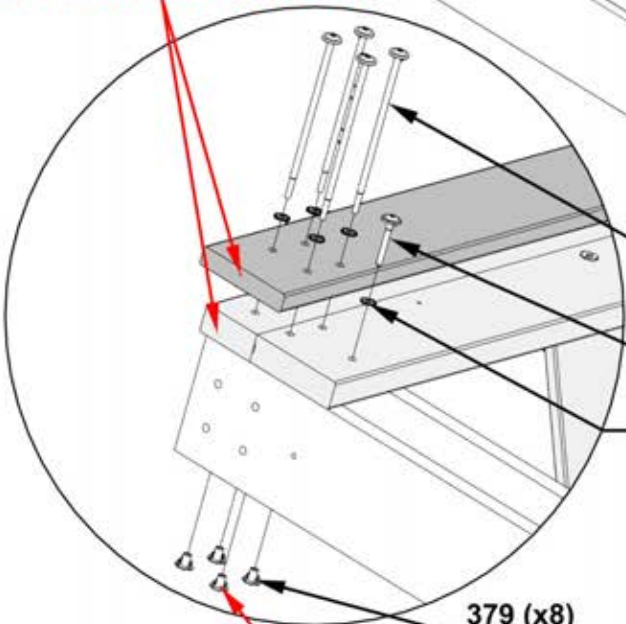
TOP OF FASCIA WILL BE FLUSH WITH TOP OF JOIST ASSEMBLY



NOTE SMALL PILOT HOLE

FASCIA WILL OVERHANG JOIST ASSEMBLY ON ENDS

405 (x2) WASHER - 6x15  
792 (x2) LAG SCREW - 3"



1153 (x8) BOLT - 8 1/4"

197 (x2) LAG SCREW - 2 1/2"

198 (x10) WASHER - 8x19

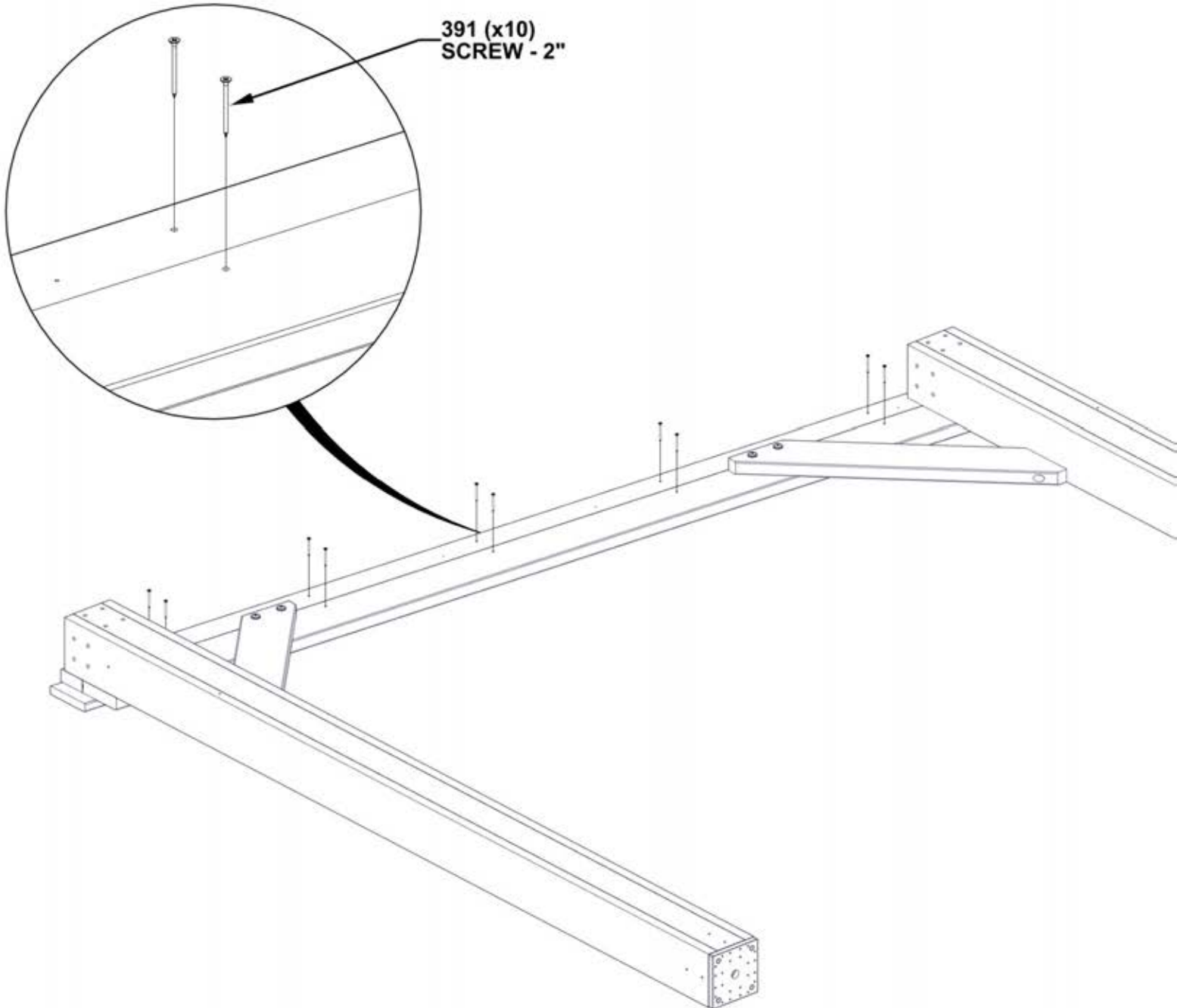
379 (x8) TNUT-5/16"

INSERT T-NUTS INTO POST FIRST

ORIENT POST SO THE SECOND PILOT HOLE IS POSITIONED ON THIS SIDE OF POSTS.

# STEP 3B - LEFT SIDE ASSEMBLY

Qty	PART NUMBER	DESCRIPTION
10	H100391	SCREW PFH 8x2 BLK





**SET LEFT SIDE ASSEMBLY TO THE SIDE**

# STEP 4 - CENTER ASSEMBLY

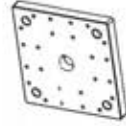
Qty	PART NUMBER	DESCRIPTION
8	H100200	SCREW PFH 8x1 1/2 BLK



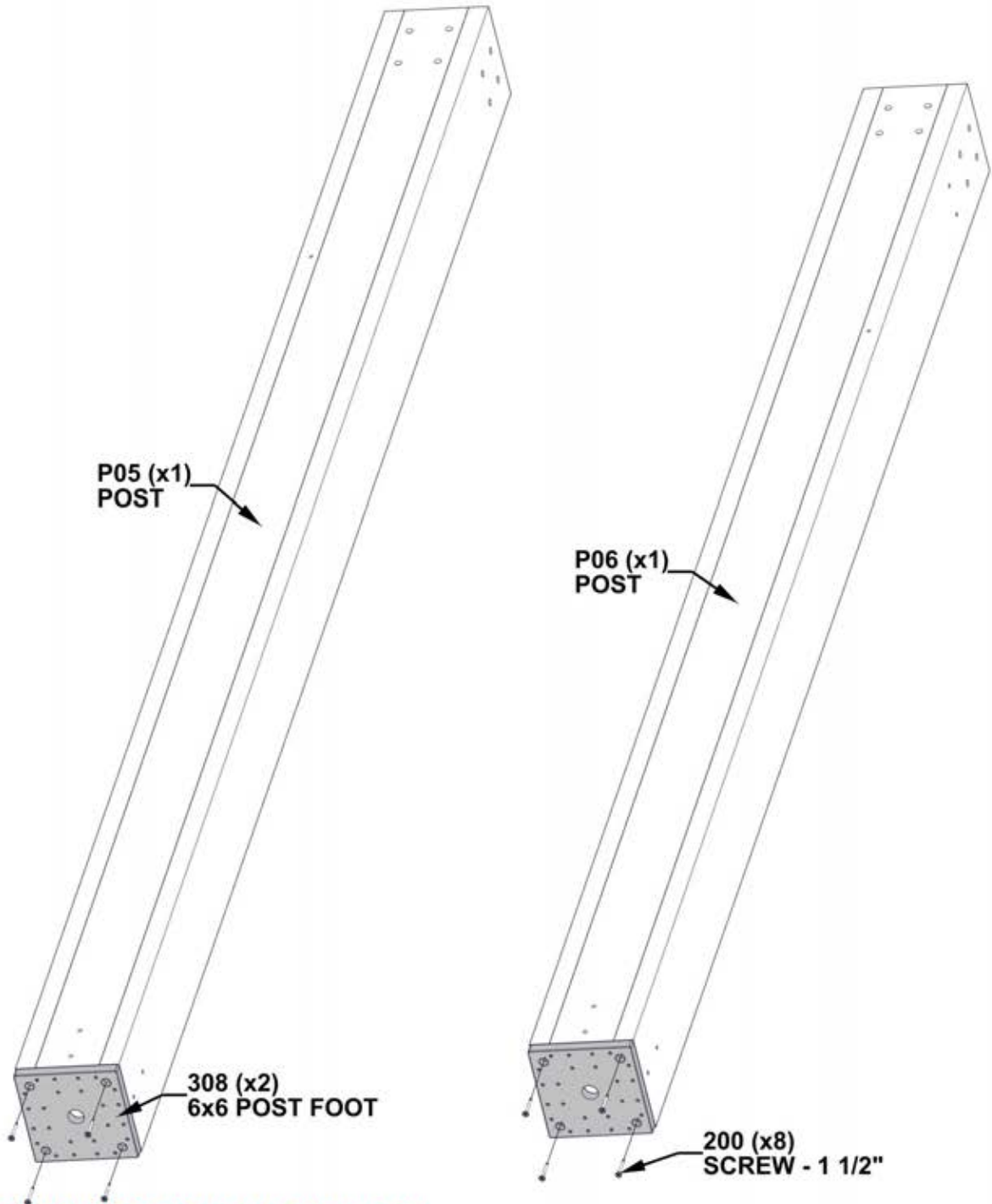
P05 POST - W2A03632  
(x1) 6"x6"x98 1/2" (152x152x2502)



P06 POST - W2A03633  
(x1) 6"x6"x89 1/16" (152x152x2262)



A6P00308 6x6 POST FOOT  
(x2)



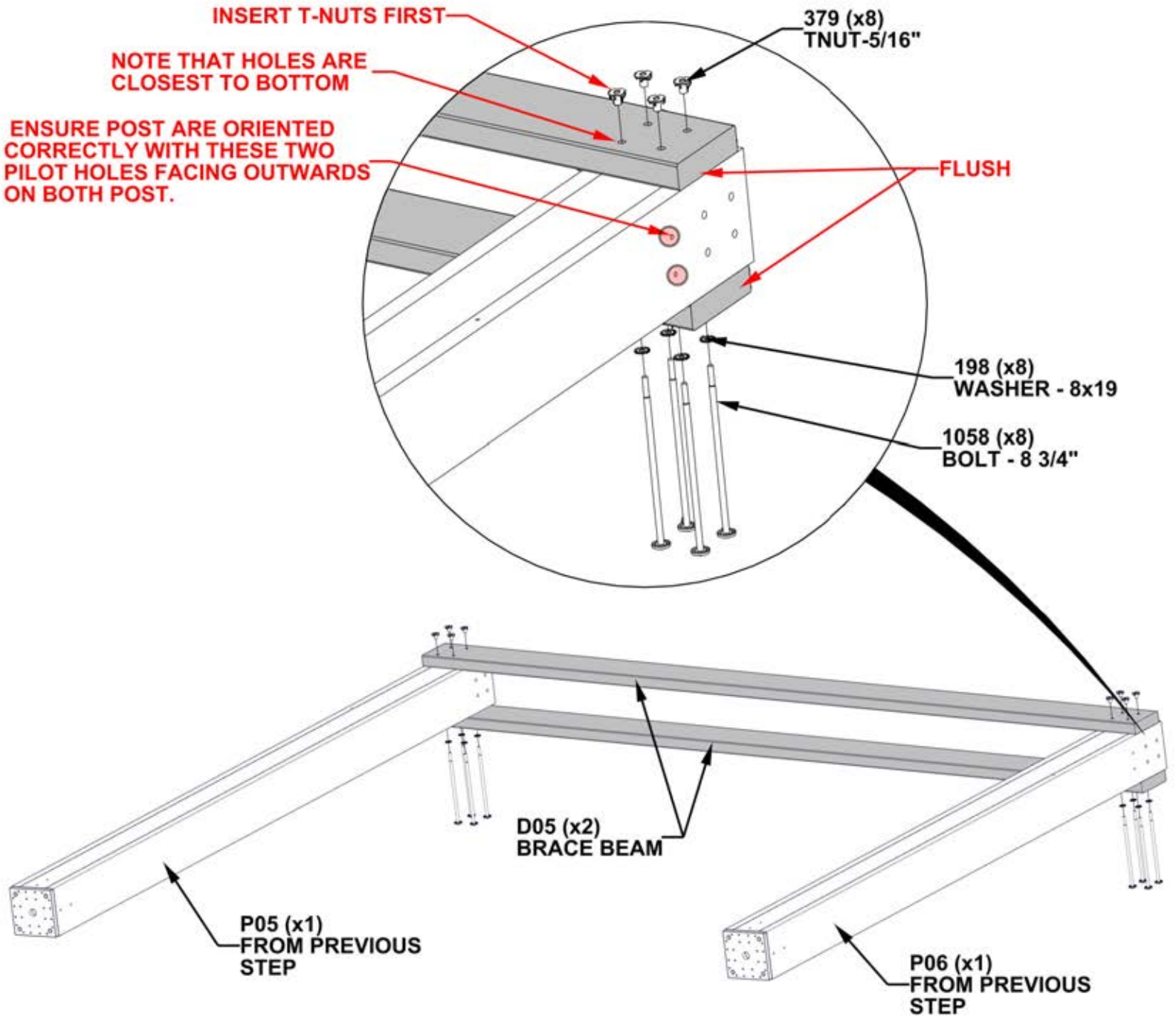
**ALIGN POST FOOT AND DRILL 1/8" PILOT HOLES FOR THE ATTACHMENT OF HARDWARE.**

# STEP 5 - CENTER ASSEMBLY

Qty	PART NUMBER	DESCRIPTION
8	H100198	WASHER LOCK EXT 8x19
8	H100379	TNUT-5/16" BLK
8	H101058	BOLT WH 5/16x8 3/4 BLK



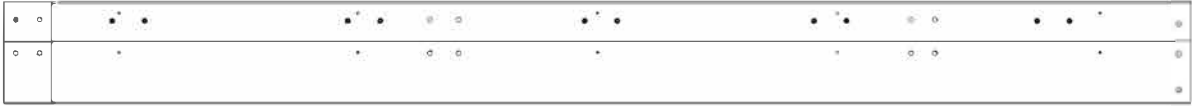
D05 BRACE BEAM - W4L17415  
(x2) 1 7/16"X5 1/4"X110" (36x134x2794)



**SET CENTER ASSEMBLY TO THE SIDE**

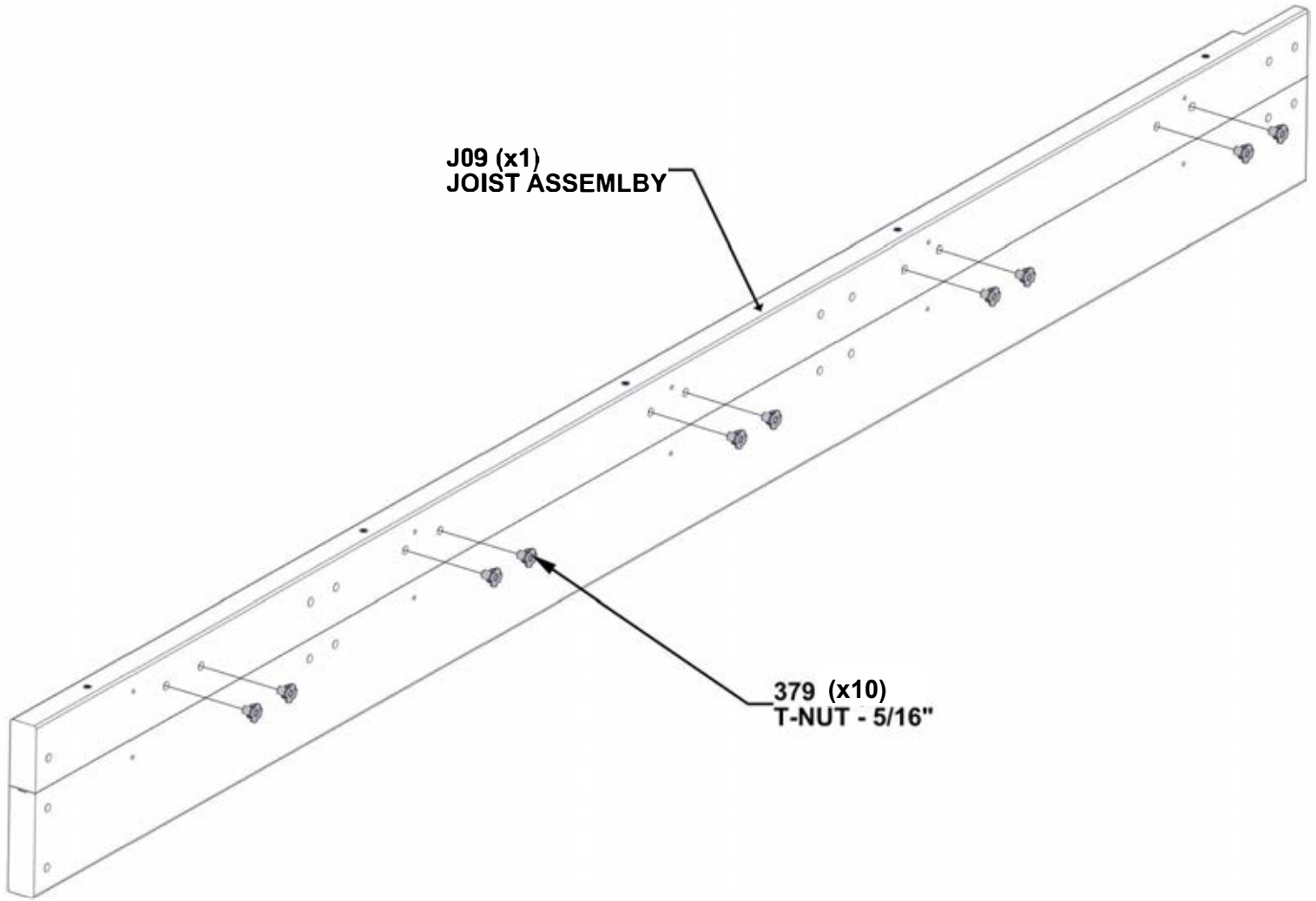
# STEP 6 - GAZEBO ASSEMBLY

QTY	PART NUMBER	DESCRIPTION
10	H100379	T-NUT 5/16 BLK



J09 JOIST ASSEMBLY - W2A04085  
(x1) 1 7/16"x8 7/16"x97 9/16" (36x214x2478)

**NOTE:**  
**- NOTCH IN JOIST ASSEMBLY FOR LOCATION OF T-NUTS.**



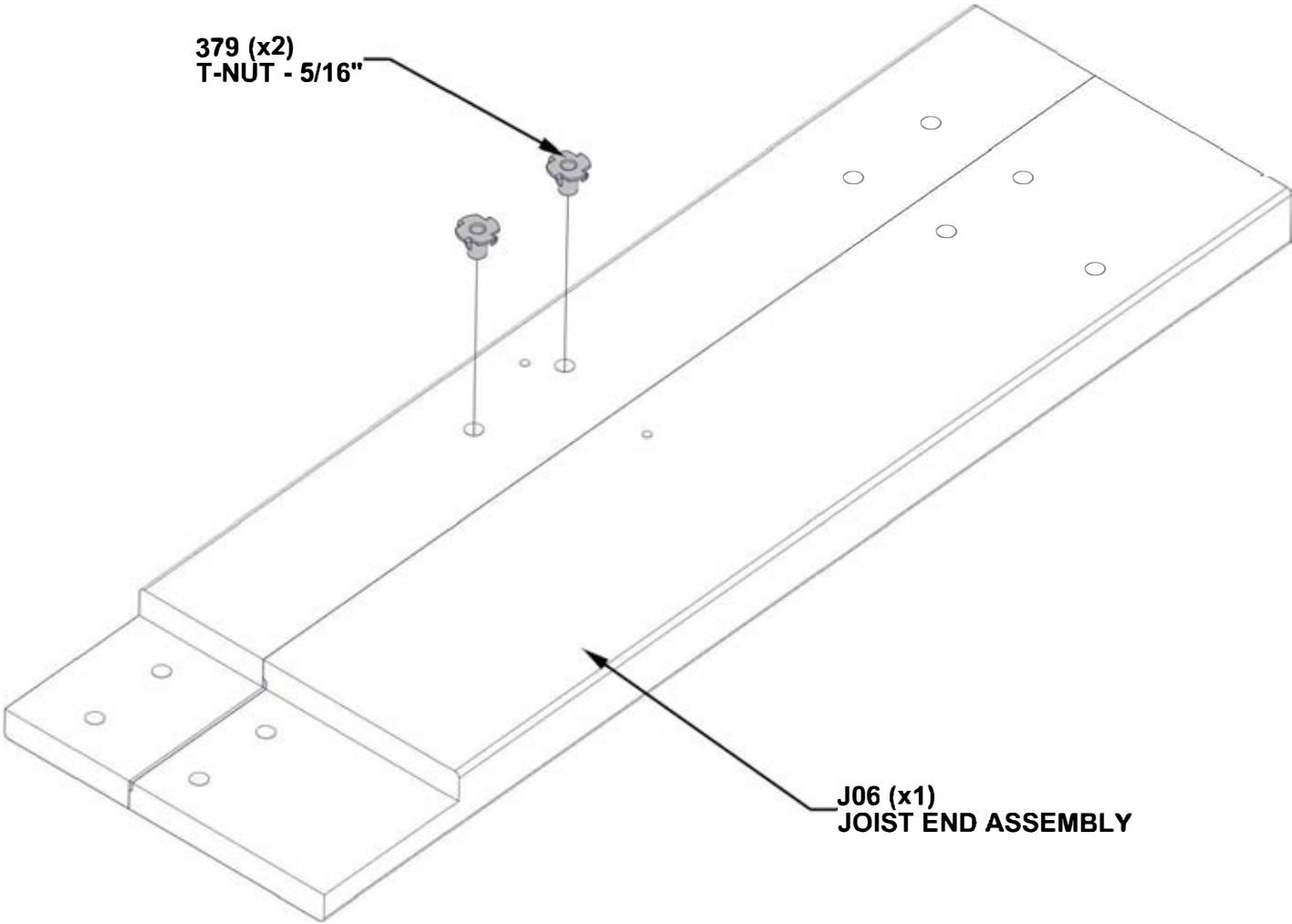
# STEP 7 - GAZEBO ASSEMBLY



QTY	PART NUMBER	DESCRIPTION
2	H100379	T-NUT 5/16 BLK

J06 JOIST END ASSEMBLY - W2A04078  
 (x1) 1 7/16"x8 7/16"x28 7/16" (36x214x722)

**NOTE:**  
 - NOTE NOTCH IN JOIST FOR LOCATIONS OF T-NUTS.



# STEP 8A - GAZEBO ASSEMBLY



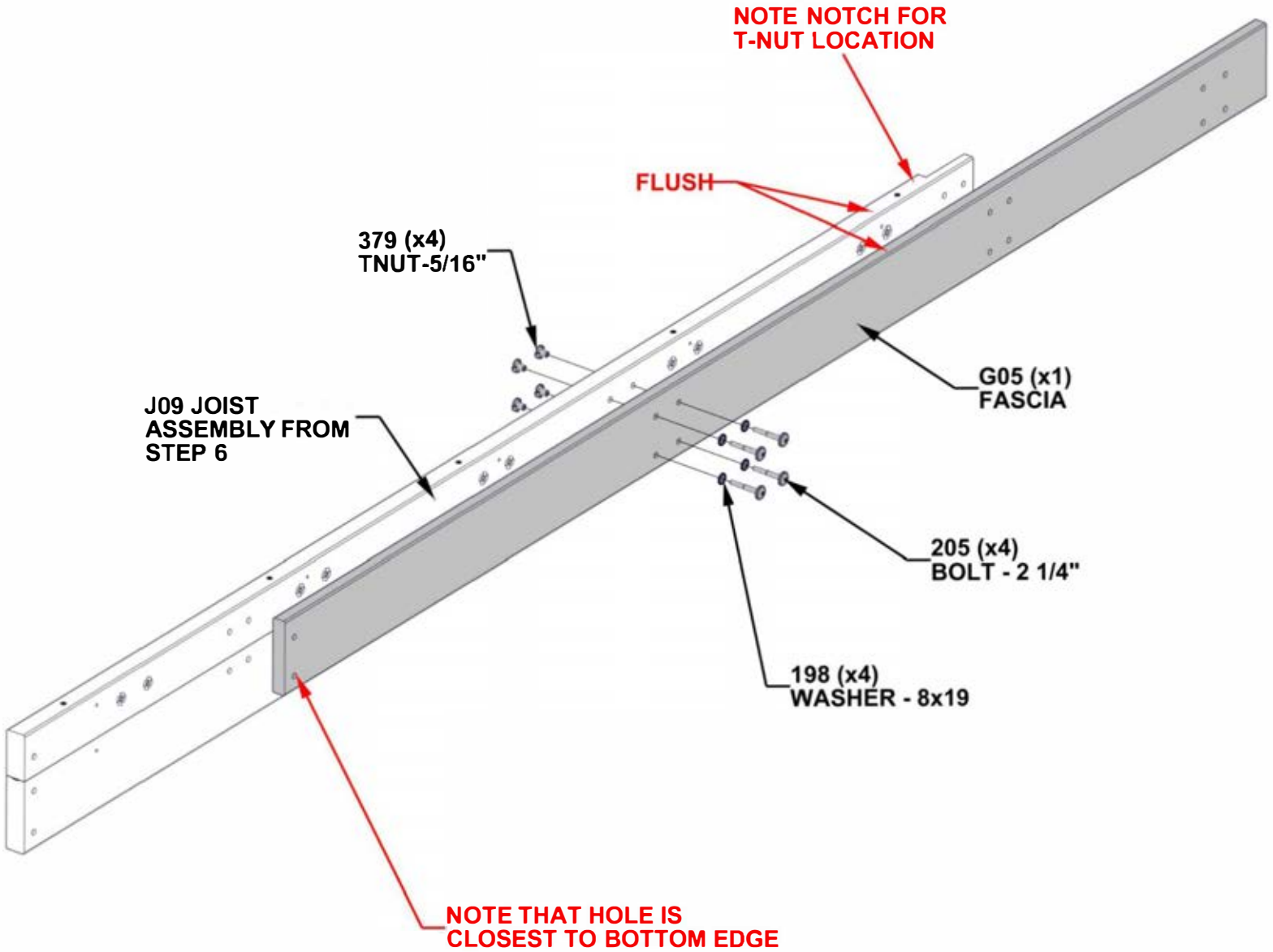
G05 FASCIA - W4L19627  
 (x1) 15/16"x5 1/4"x100 15/16" (24x134x2564)

QTY	PART NUMBER	DESCRIPTION
4	H100198	WASHER LOCK EXT 8x19
4	H100205	BOLT WH 5/16x2 1/4 BLK
4	H100379	TNUT-5/16" BLK



J09 JOIST ASSEMBLY FROM STEP 6

## INSERT T-NUTS FIRST



# STEP 8B - GAZEBO ASSEMBLY

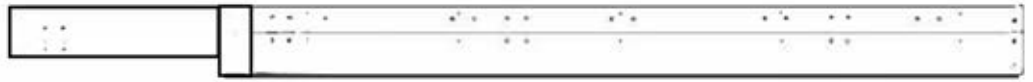
QTY	PART NUMBER	DESCRIPTION
6	H100198	WASHER LOCK EXT 8x19
6	H100379	TNUT-5/16" BLK
6	H100415	BOLT WH 5/16x3 3/4 BLK



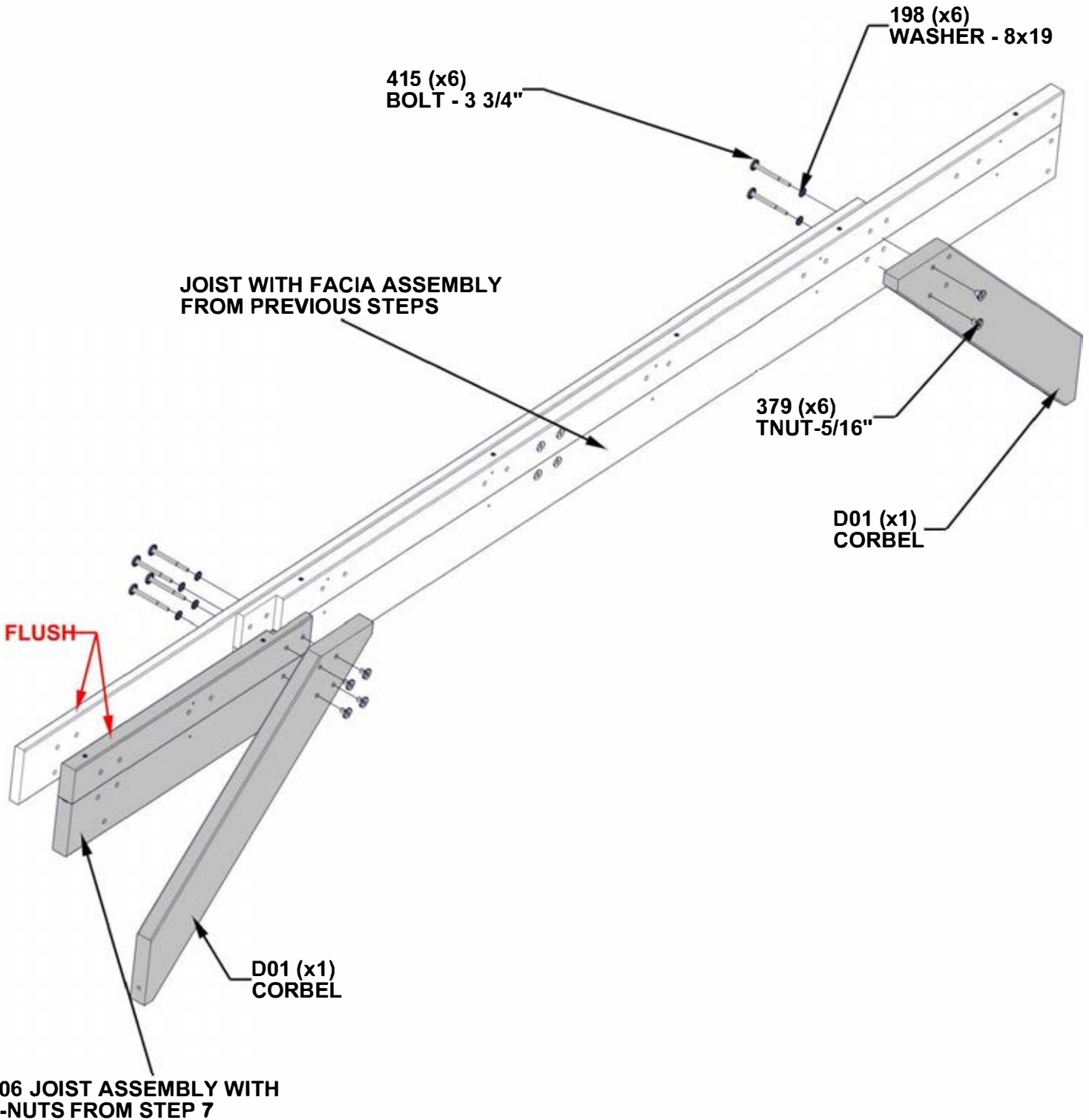
D01 CORBEL - W4L17290  
(x2) 1 7/16"x5 1/4"x34 7/16" (36x134x874)



J06 JOIST ASSEMBLY WITH T-NUTS FROM STEP 7



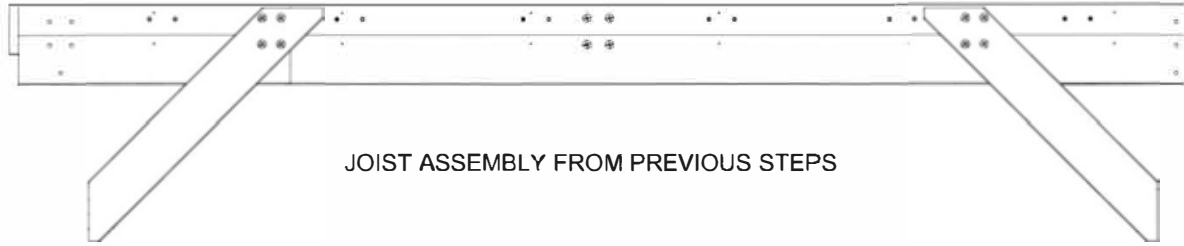
JOIST WITH FASCIA ASSEMBLY FROM PREVIOUS STEPS





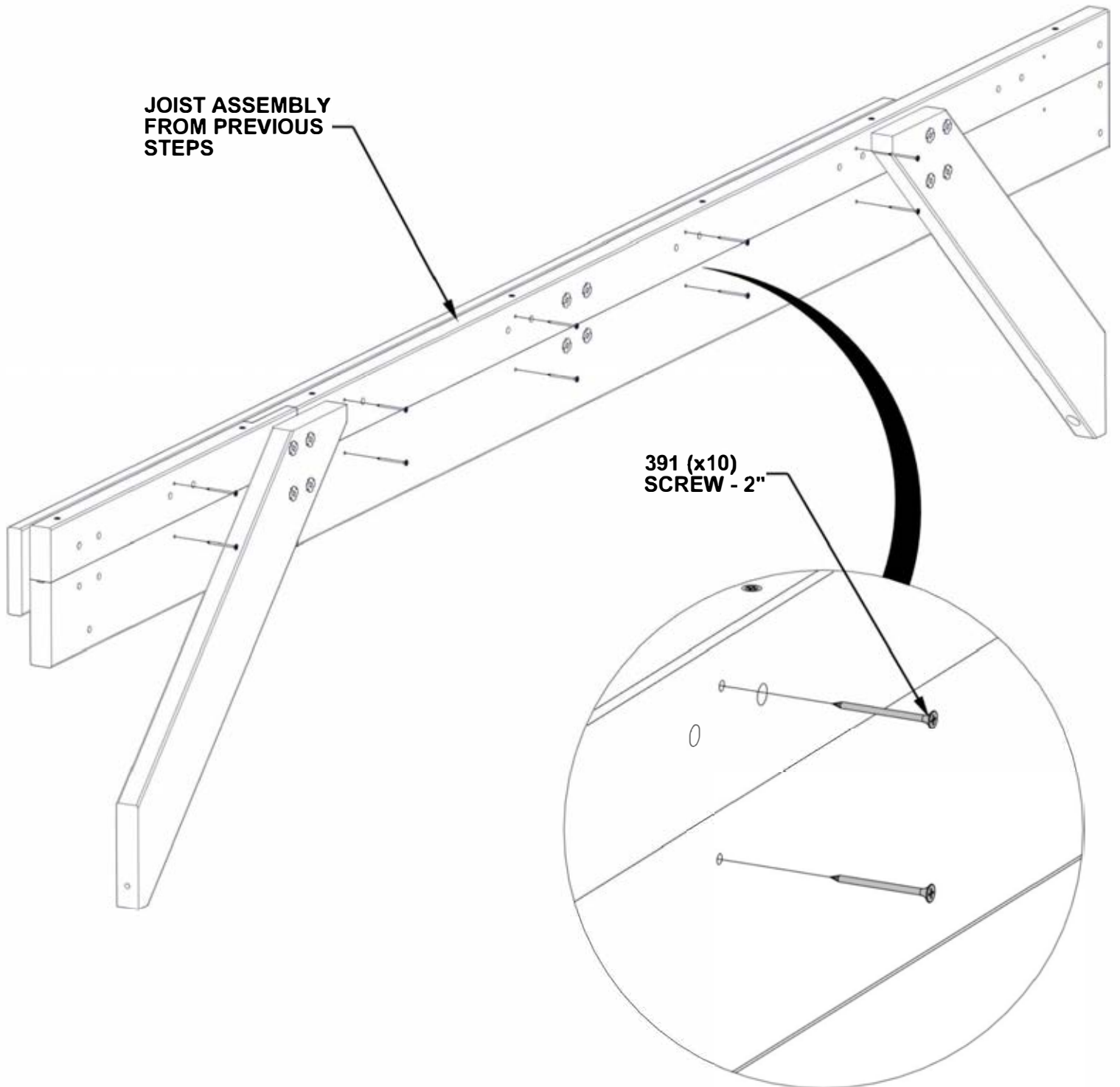
# STEP 8C - GAZEBO ASSEMBLY

QTY	PART NUMBER	DESCRIPTION
10	H100391	SCREW PFH 8x2 BLK



JOIST ASSEMBLY FROM PREVIOUS STEPS

JOIST ASSEMBLY  
FROM PREVIOUS  
STEPS

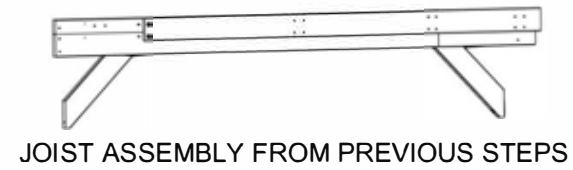


391 (x10)  
SCREW - 2"

**SET JOIST ASSEMBLY TO THE SIDE**

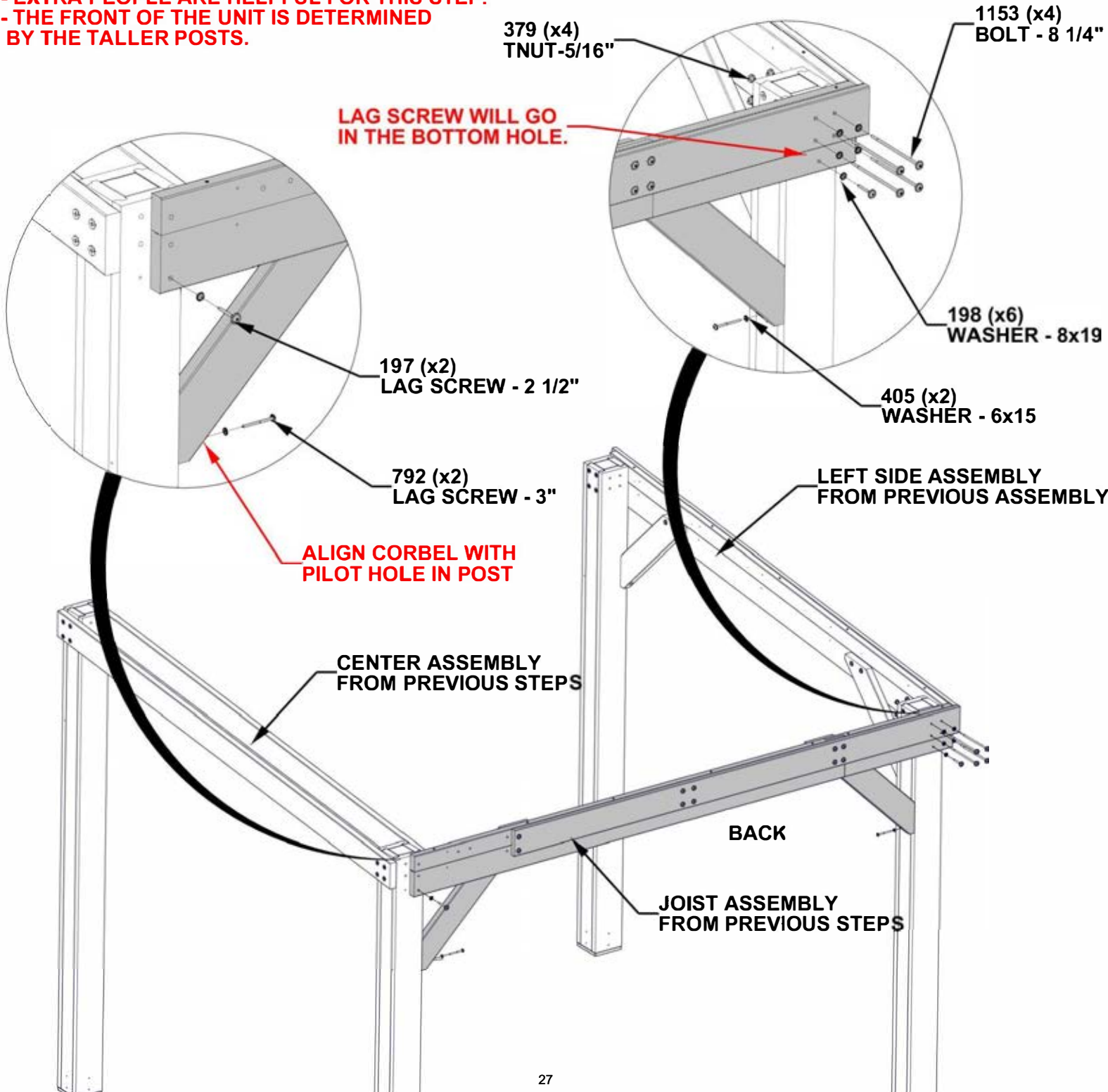
# STEP 9 - GAZEBO ASSEMBLY

QTY	PART NUMBER	DESCRIPTION
2	H100197	LAG SCREW WH 5/16x2 1/2 BLK
6	H100198	WASHER LOCK EXT 8x19
4	H100379	TNUT-5/16" BLK
2	H100405	WASHER LOCK EXT 6x15
2	H100792	LAG SCREW WH 1/4x3 BLK
4	H101153	BOLT WH 5/16x8 1/4 BLK



**NOTES:**  
 - EXTRA PEOPLE ARE HELPFUL FOR THIS STEP.  
 - THE FRONT OF THE UNIT IS DETERMINED BY THE TALLER POSTS.

**INSERT T-NUTS FIRST**



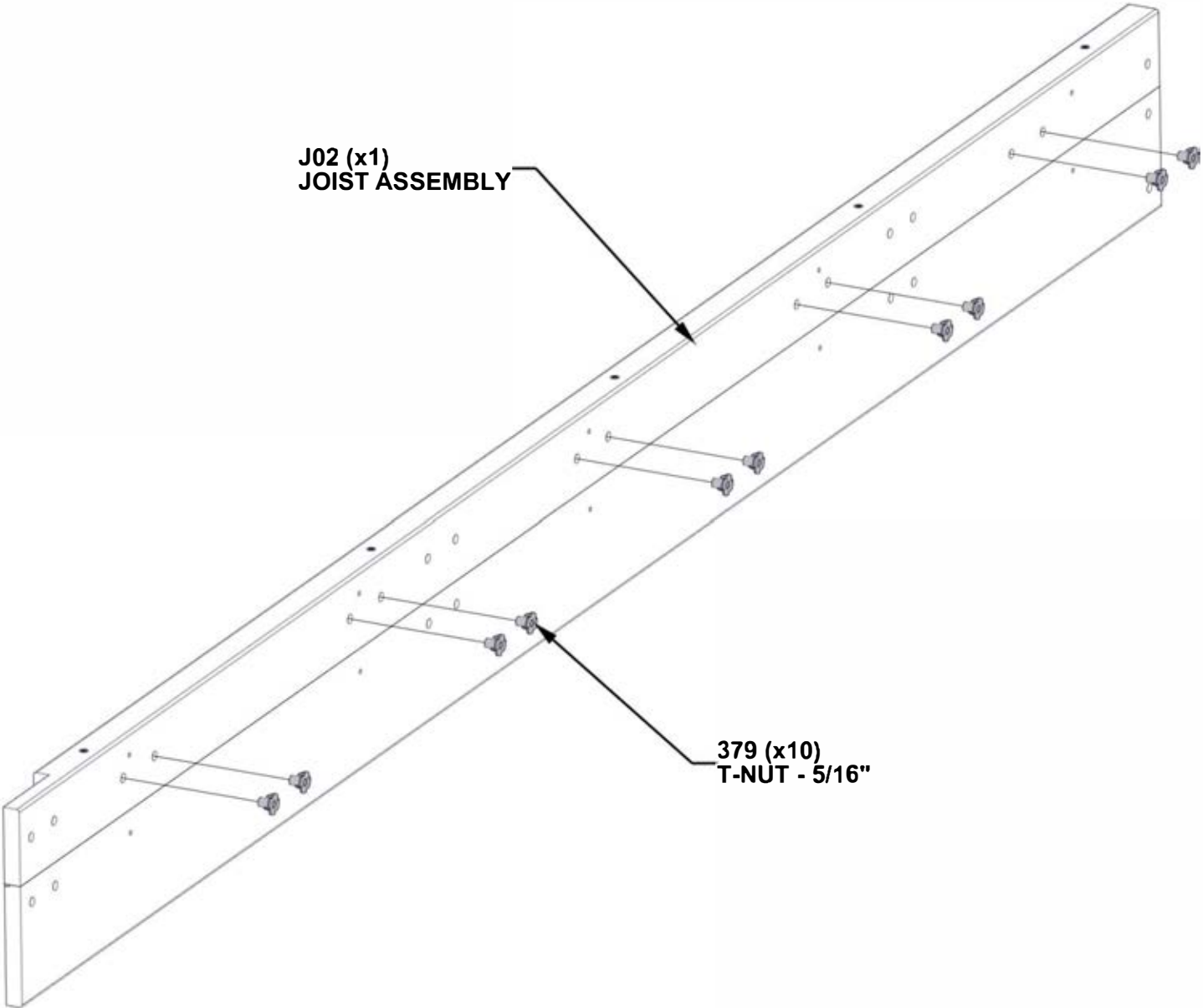
# STEP 10 - GAZEBO ASSEMBLY



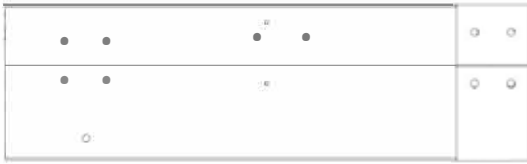
J02 JOIST ASSEMBLY - W2A04083  
(x1) 1 7/16"x8 7/16"x97 9/16" (36x214x2478)

QTY	PART NUMBER	DESCRIPTION
10	H100379	T-NUT 5/16 BLK

**NOTE:**  
**- NOTCH IN JOIST ASSEMBLY FOR LOCATION OF T-NUTS**



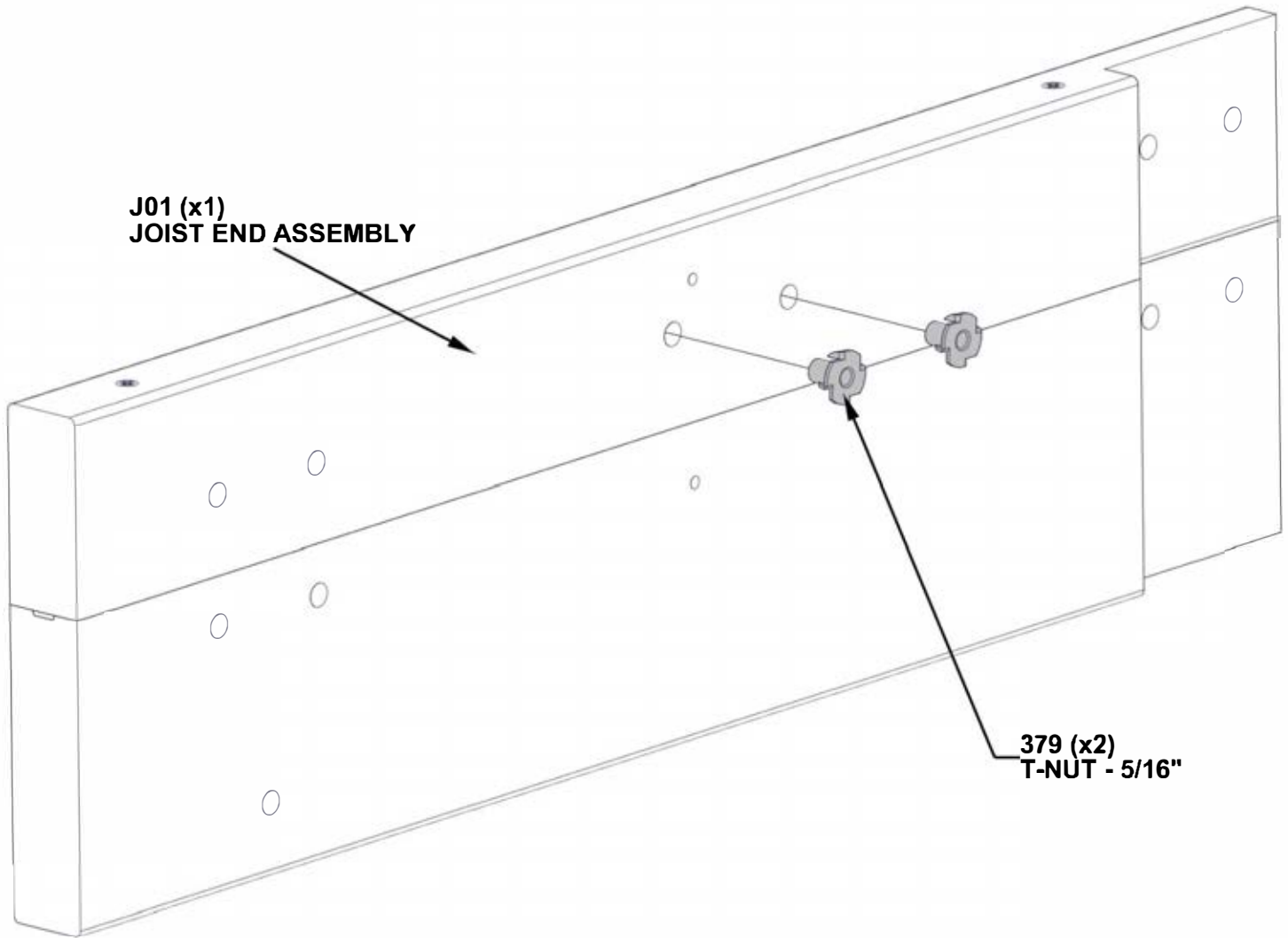
# STEP 11 - GAZEBO ASSEMBLY



QTY	PART NUMBER	DESCRIPTION
2	H100379	T-NUT 5/16 BLK

J01 JOIST END ASSEMBLY - W2A04077  
(x1) 1 7/16"x8 7/16"x28 7/16" (36x214x722)

**NOTE:**  
**- NOTE NOTCH IN JOIST FOR LOCATION OF T-NUTS**



# STEP 12A - GAZEBO ASSEMBLY



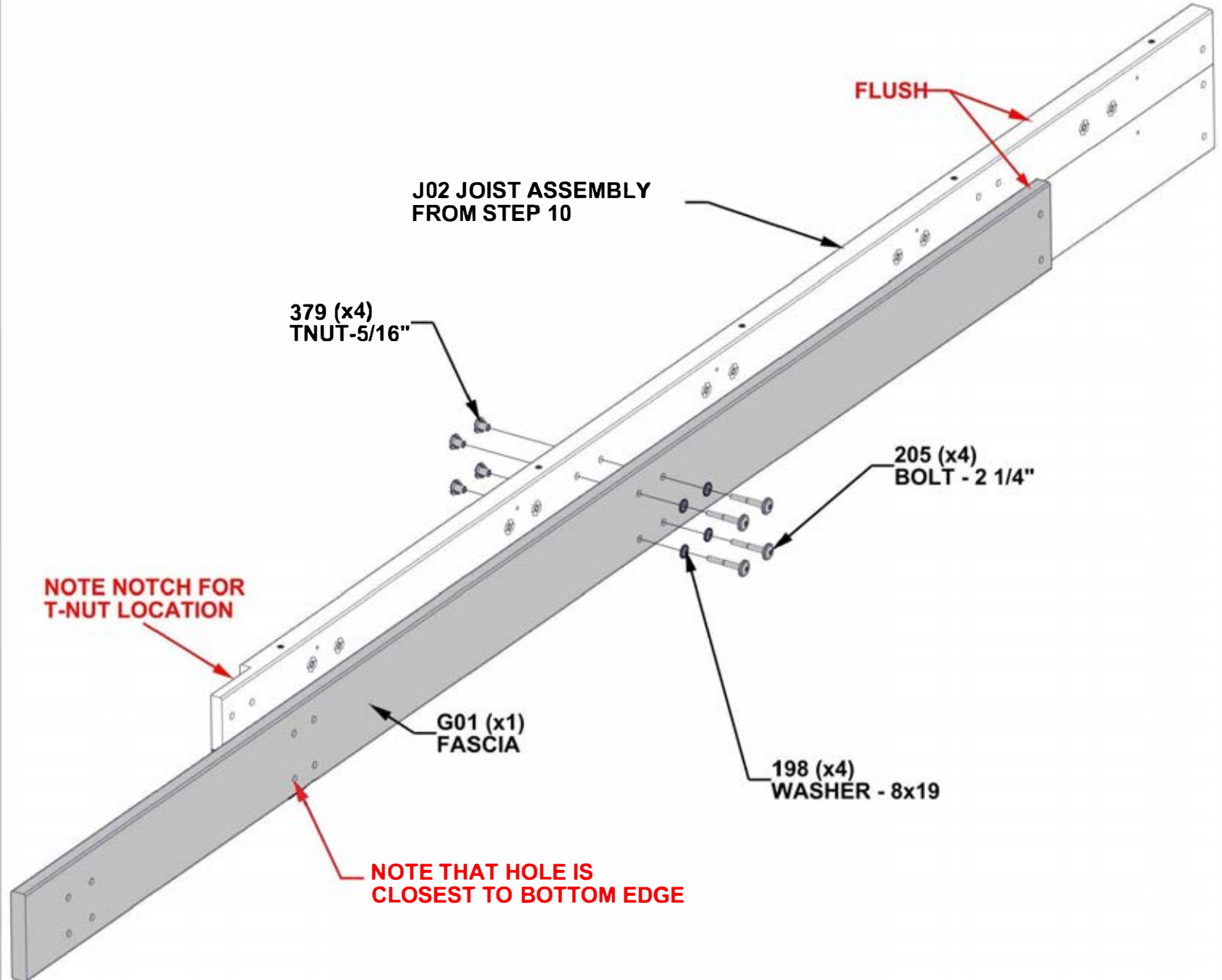
G01 FASCIA - W4L19625  
 (x1) 15/16"x5 1/4"x100 15/16" (24x134x2564)

QTY	PART NUMBER	DESCRIPTION
4	H100198	WASHER LOCK EXT 8x19
4	H100205	BOLT WH 5/16x2 1/4 BLK
4	H100379	TNUT-5/16" BLK



J02 JOIST ASSEMBLY FROM STEP 10

## INSERT T-NUTS FIRST

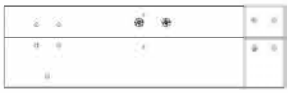


# STEP 12B - GAZEBO ASSEMBLY

QTY	PART NUMBER	DESCRIPTION
6	H100198	WASHER LOCK EXT 8x19
6	H100379	TNUT-5/16" BLK
6	H100415	BOLT WH 5/16x3 3/4 BLK



JOIST ASSEMBLY WITH FASCIA FROM PREVIOUS STEPS



J01 JOIST ASSEMBLY WITH T-NUTS FROM STEP 11

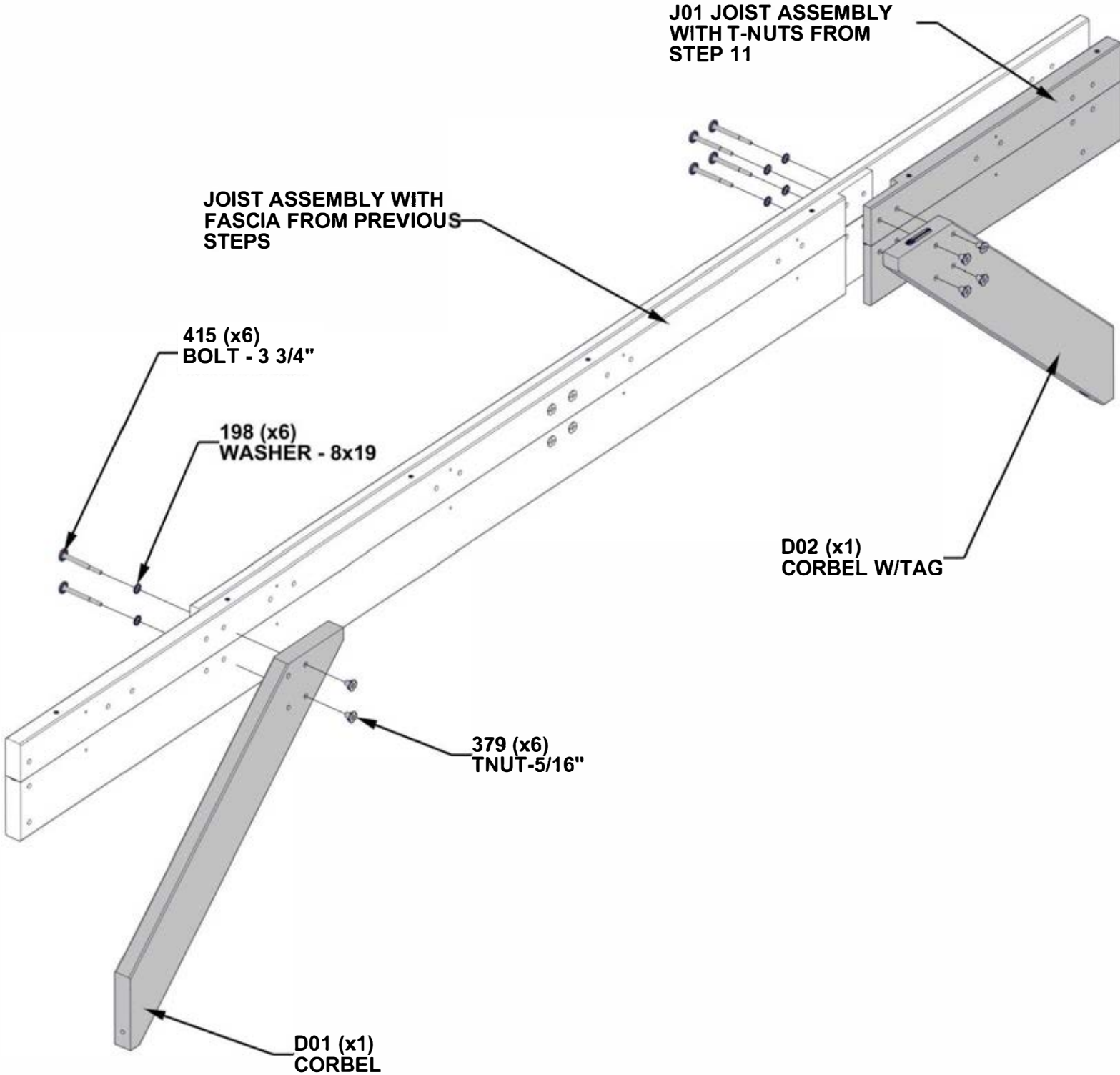


D01 CORBEL - W4L17290  
(x1) 1 7/16"x5 1/4"x34 7/16" (36x134x874)



D02 CORBEL W/TAG - W2A03544  
(x1) 1 7/16"x5 1/4"x34 7/16" (36x134x874)

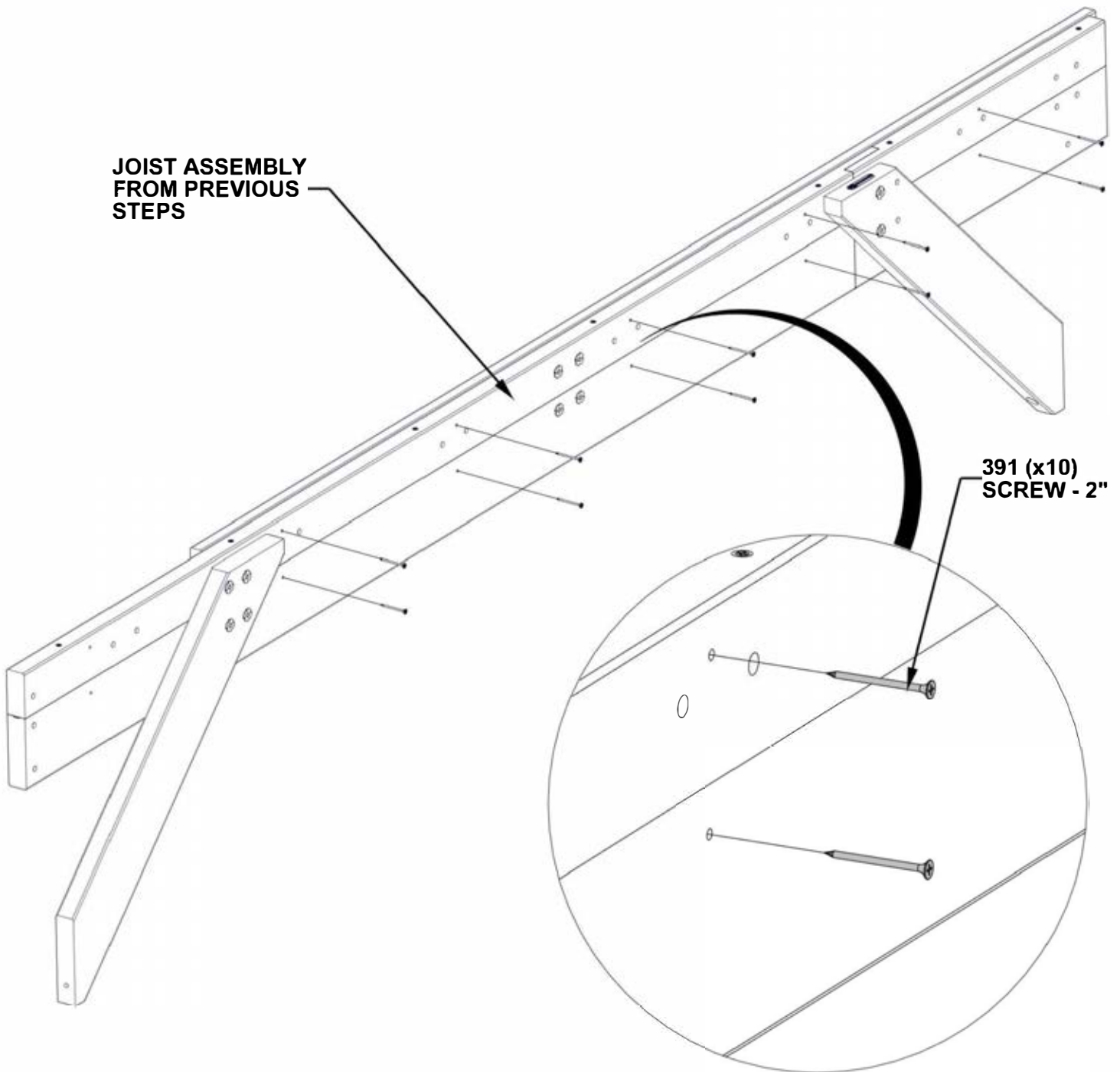
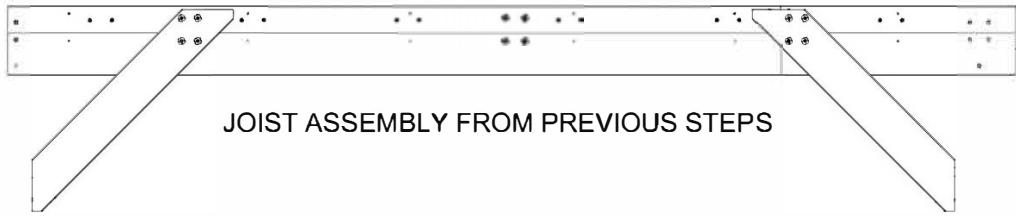
## INSERT T-NUTS FIRST





# STEP 12C - GAZEBO ASSEMBLY

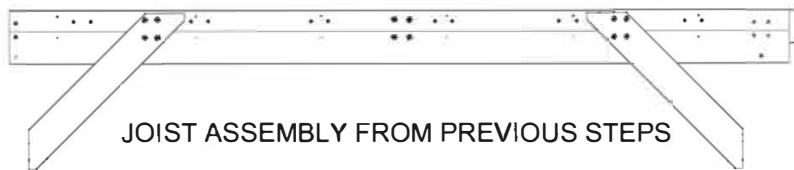
QTY	PART NUMBER	DESCRIPTION
10	H100391	SCREW PFH 8x2 BLK





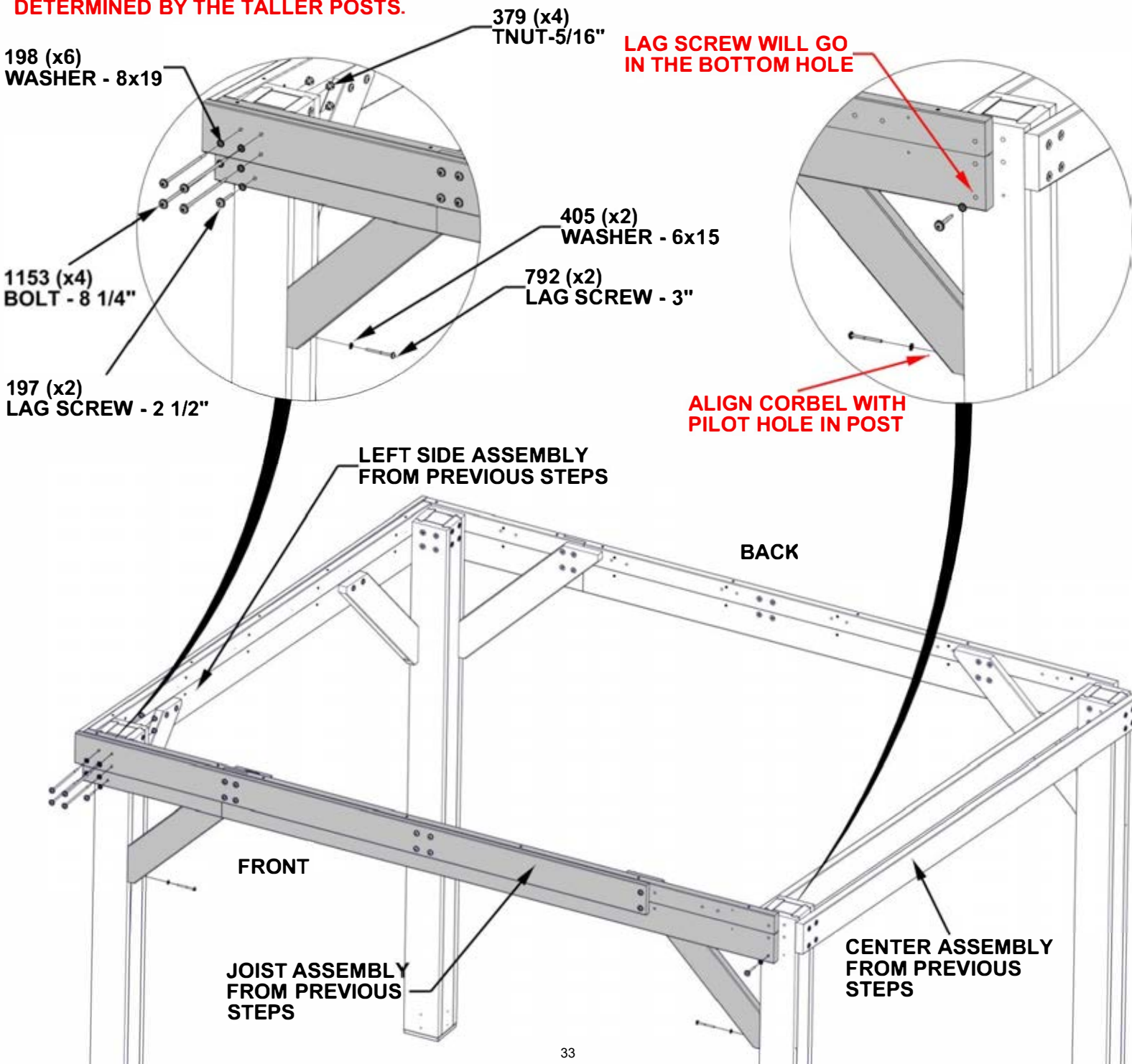
# STEP 13 - GAZEBO ASSEMBLY

QTY	PART NUMBER	DESCRIPTION
2	H100197	LAG SCREW WH 5/16x2 1/2 BLK
6	H100198	WASHER LOCK EXT 8x19
2	H100405	WASHER LOCK EXT 6x15
4	H100379	TNUT-5/16" BLK
2	H100792	LAG SCREW WH 1/4x3 BLK
4	H101153	BOLT WH 5/16x8 1/4 BLK



**NOTES:**  
 - EXTRA PEOPLE ARE HELPFUL FOR THIS STEP.  
 - THE FRONT OF THE UNIT IS DETERMINED BY THE TALLER POSTS.

**INSERT T-NUTS FIRST**



# STEP 14 - RIGHT SIDE ASSEMBLY

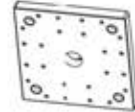
Qty	PART NUMBER	DESCRIPTION
8	H100200	SCREW PFH 8x1 1/2 BLK



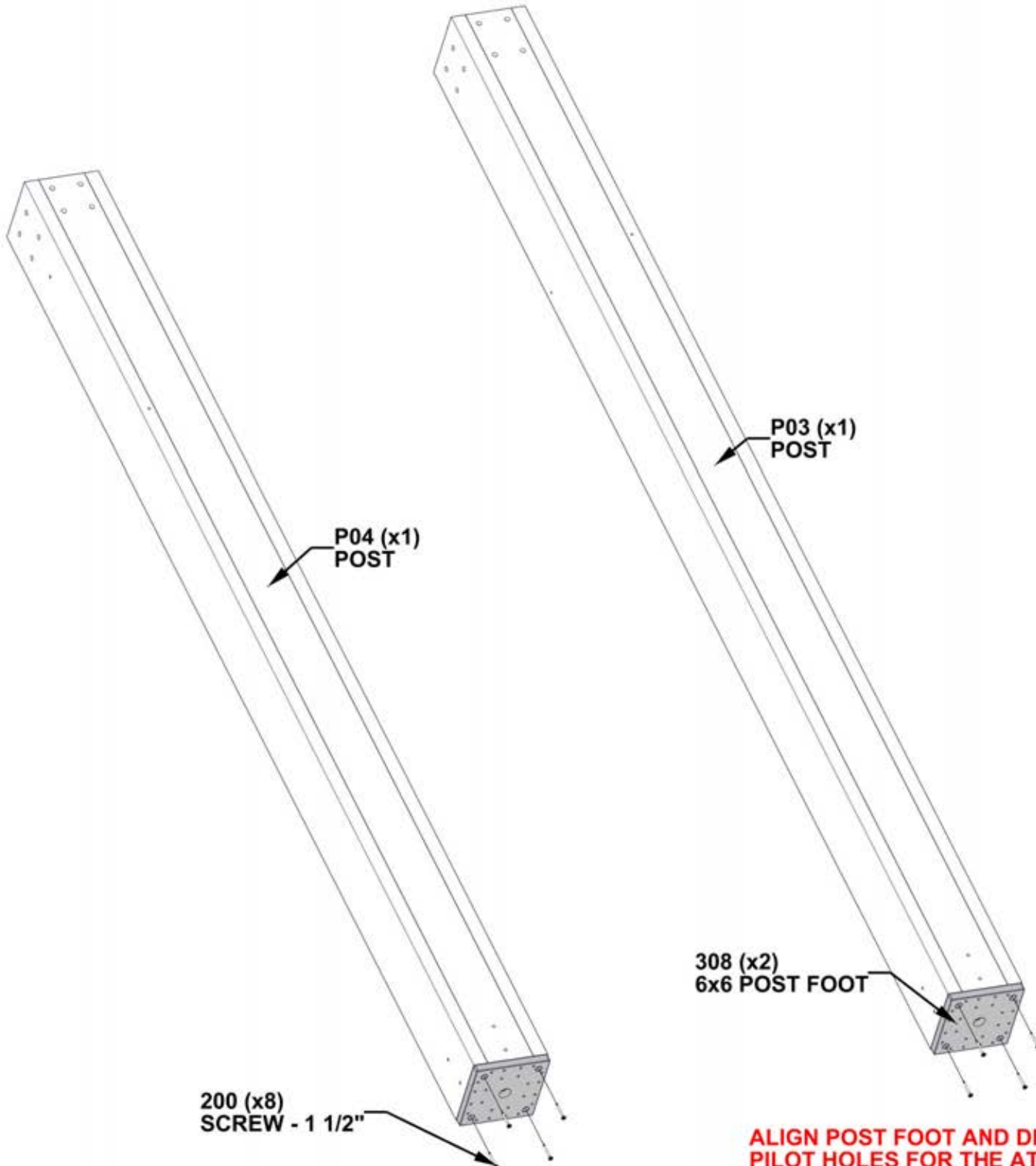
P04 POST - W2A03637  
(x1) 6"x6"x89 1/16" (152x152x2262)



P03 POST - W2A03635  
(x1) 6"x6"x98 1/2" (152x152x2502)



A6P00308 6x6 POST FOOT  
(x2)



**ALIGN POST FOOT AND DRILL 1/8" PILOT HOLES FOR THE ATTACHMENT OF HARDWARE.**

# STEP 15 - RIGHT SIDE ASSEMBLY

Qty	PART NUMBER	DESCRIPTION
4	H100195	BOLT WH 5/16x2 3/4 BLK
4	H100198	WASHER LOCK EXT 8x19
4	H100379	TNUT-5/16" BLK



D04 CORBEL - W4L17299  
(x1) 1 3/8"x5 1/4"x33 7/8" (36x134x860)



D03 CORBEL - W4L17297  
(x1) 1 3/8"x5 1/4"x27 1/4" (36x134x692)

LEFT



RIGHT

J08 JOIST ASSEMBLY - W2A03641  
(x1) 1 7/16"x8 7/16"x110 5/16" (36x214x2801)

**HAND TIGHTEN**

379 (x4)  
TNUT-5/16"

198 (x4)  
WASHER - 8x19

195 (x4)  
BOLT-2 3/4"

**INSERT T-NUTS INTO JOIST ASSEMBLY FIRST**

RIGHT

D03 (x1)  
CORBEL

J08 (x1)  
JOIST ASSEMBLY

**NOTE PILOT HOLES ON THIS SIDE FOR BOARD ORIENTATION**

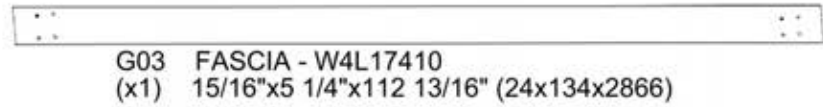
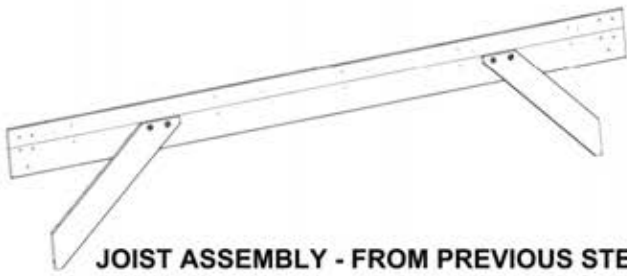
LEFT

D04 (x1)  
CORBEL

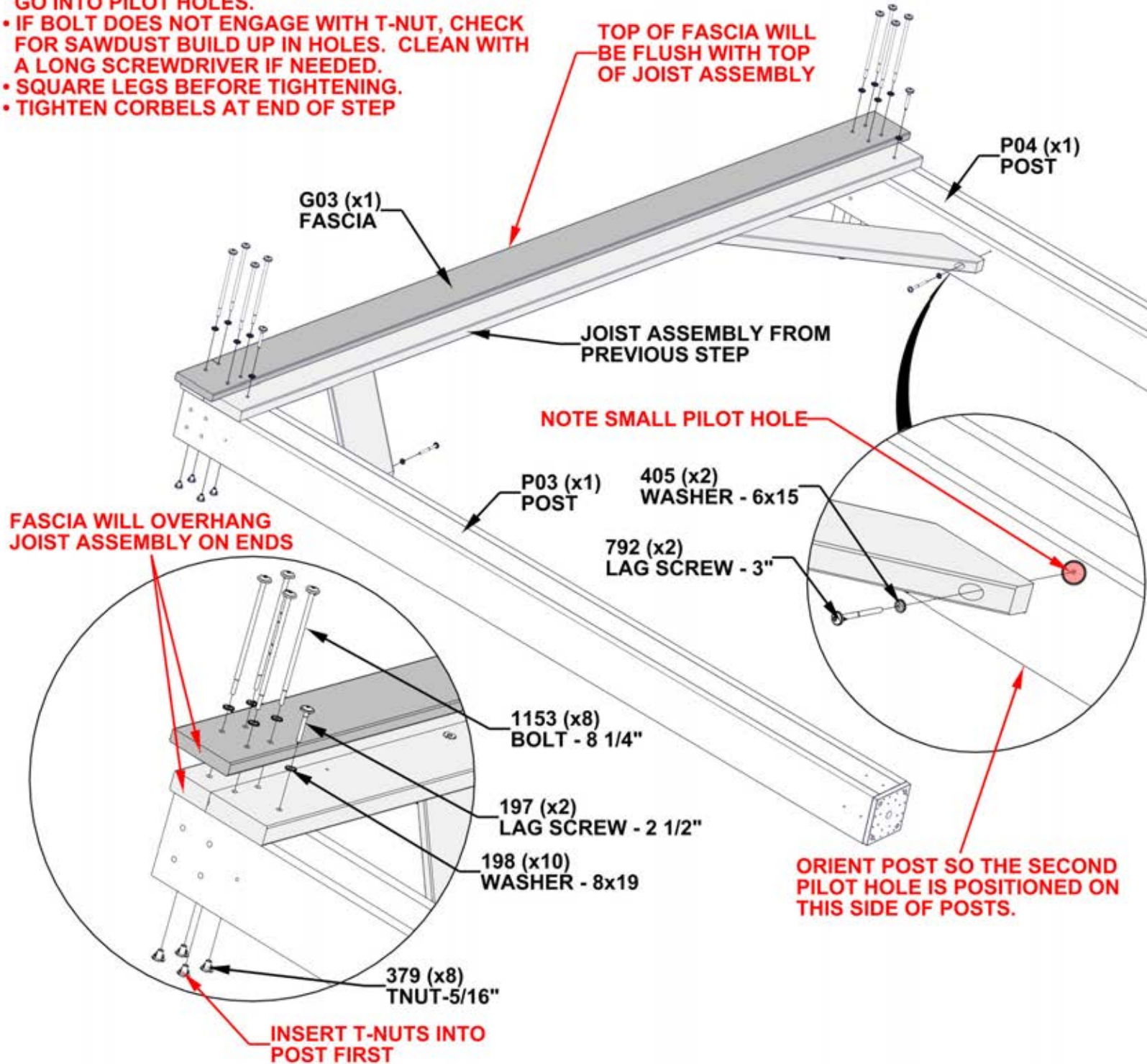


# STEP 16A - RIGHT SIDE ASSEMBLY

Qty	PART NUMBER	DESCRIPTION
2	H100197	LAG SCREW WH 5/16x2 1/2 BLK
10	H100198	WASHER LOCK EXT 8x19
8	H100379	TNUT-5/16" BLK
2	H100405	WASHER LOCK EXT 6x15
2	H100792	LAG SCREW WH 1/4x3 BLK
8	H101153	BOLT WH 5/16x8 1/4 BLK



- NOTES:**
- TO AVOID SPLITTING, MAKE SURE LAG SCREWS GO INTO PILOT HOLES.
  - IF BOLT DOES NOT ENGAGE WITH T-NUT, CHECK FOR SAWDUST BUILD UP IN HOLES. CLEAN WITH A LONG SCREWDRIVER IF NEEDED.
  - SQUARE LEGS BEFORE TIGHTENING.
  - TIGHTEN CORBELS AT END OF STEP

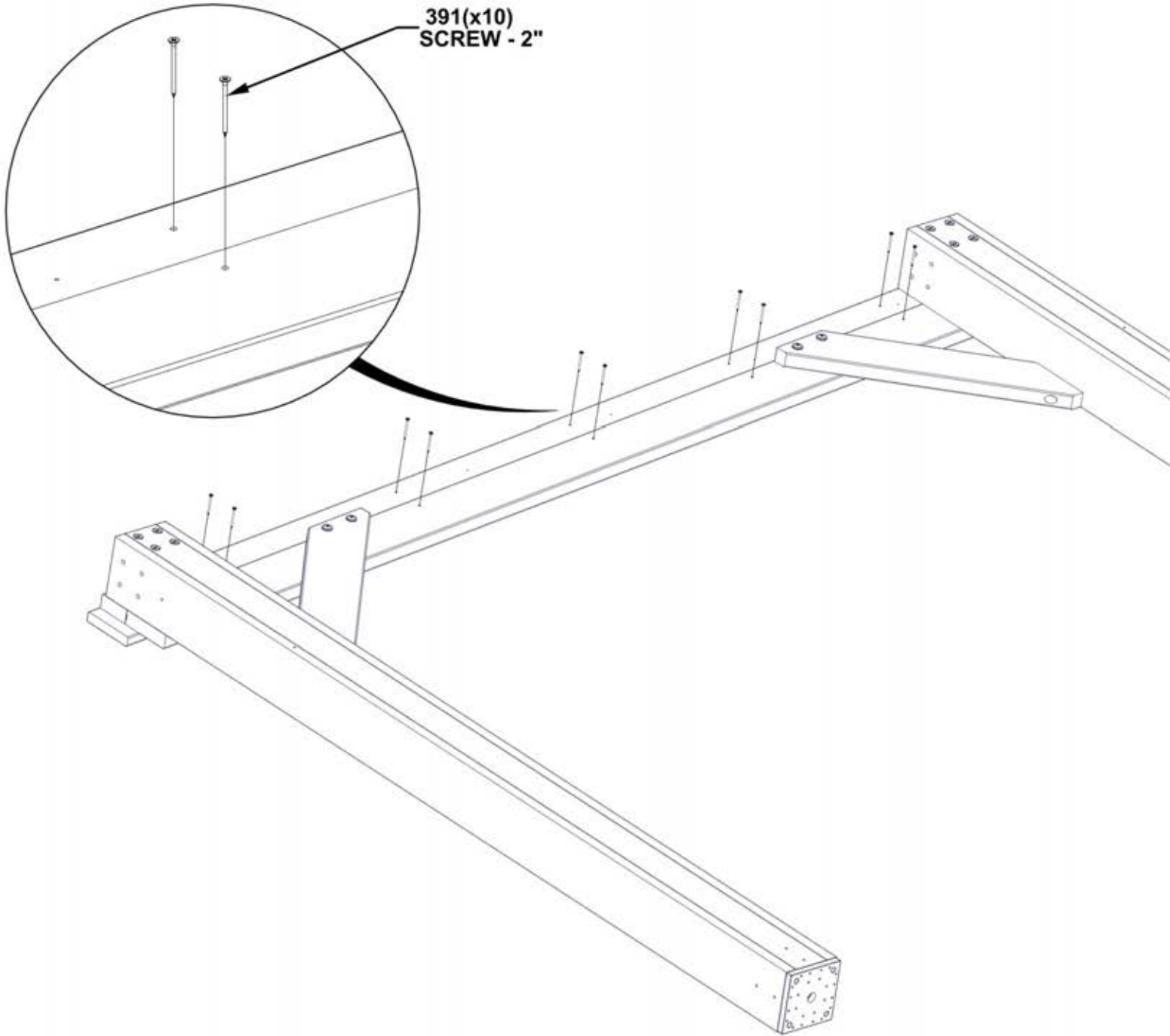


# STEP 16B - RIGHT SIDE ASSEMBLY

Qty	PART NUMBER	DESCRIPTION
10	H100391	SCREW PFH 8x2 BLK



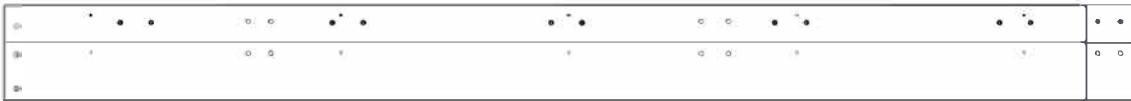
RIGHT SIDE ASSEMBLY FROM PREVIOUS STEPS



**SET RIGHT SIDE ASSEMBLY TO THE SIDE**

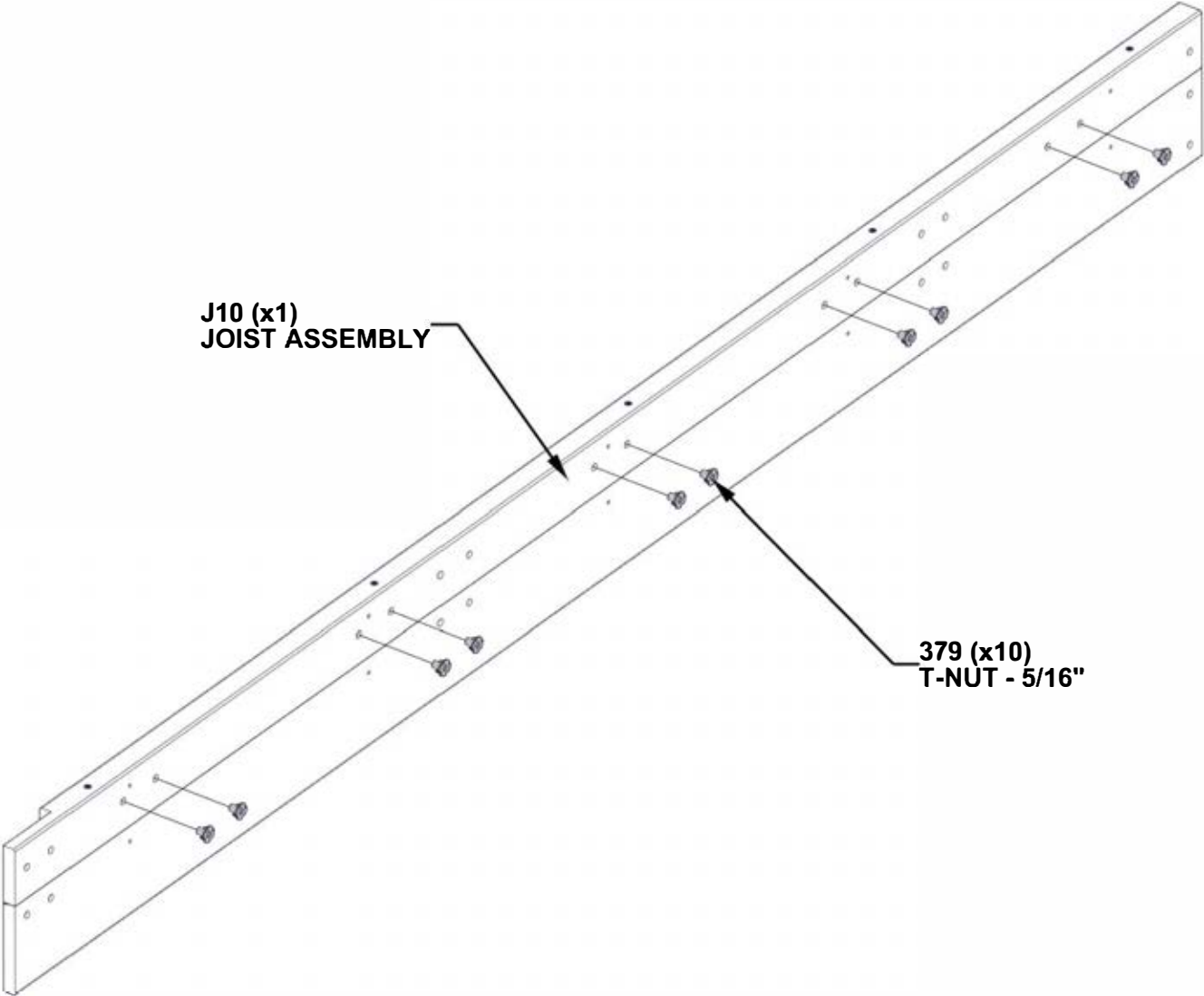
# STEP 17 - GAZEBO ASSEMBLY

QTY	PART NUMBER	DESCRIPTION
10	H100379	T-NUT 5/16 BLK



J10 JOIST ASSEMBLY - W2A04086  
(x1) 1 7/16"x8 7/16"x97 9/16" (36x214x2478)

**NOTE:**  
**- NOTCH IN JOIST ASSEMBLY FOR LOCATION OF T-NUTS**



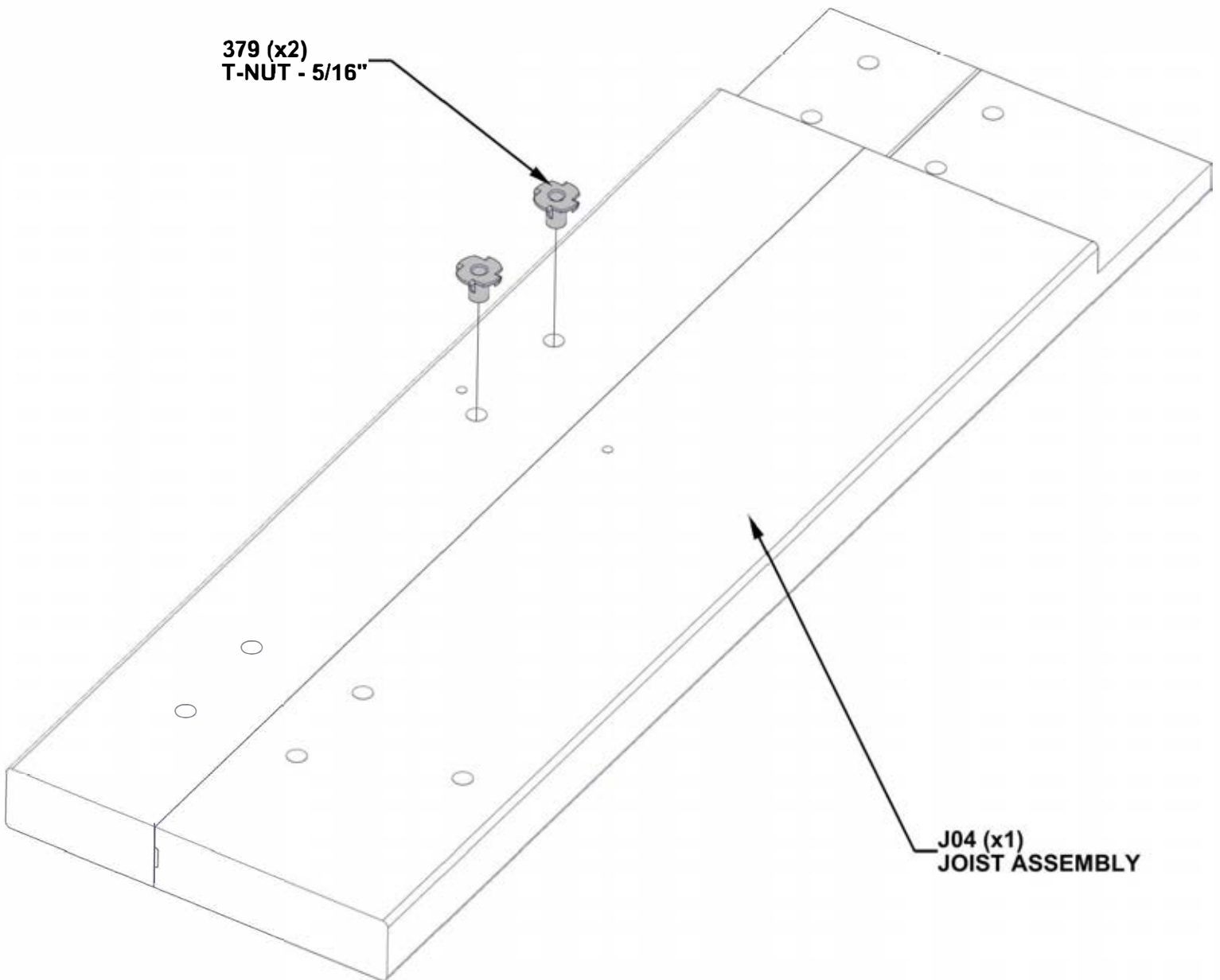
# STEP 18 - GAZEBO ASSEMBLY



QTY	PART NUMBER	DESCRIPTION
2	H100379	T-NUT 5/16 BLK

J04 JOIST ASSEMBLY - W2A04080  
(x1) 1 7/16"x8 7/16"x28 7/16" (36x214x722)

**NOTE:**  
**- NOTCH IN JOIST FOR LOCATION OF T-NUTS.**





# STEP 19A - GAZEBO ASSEMBLY



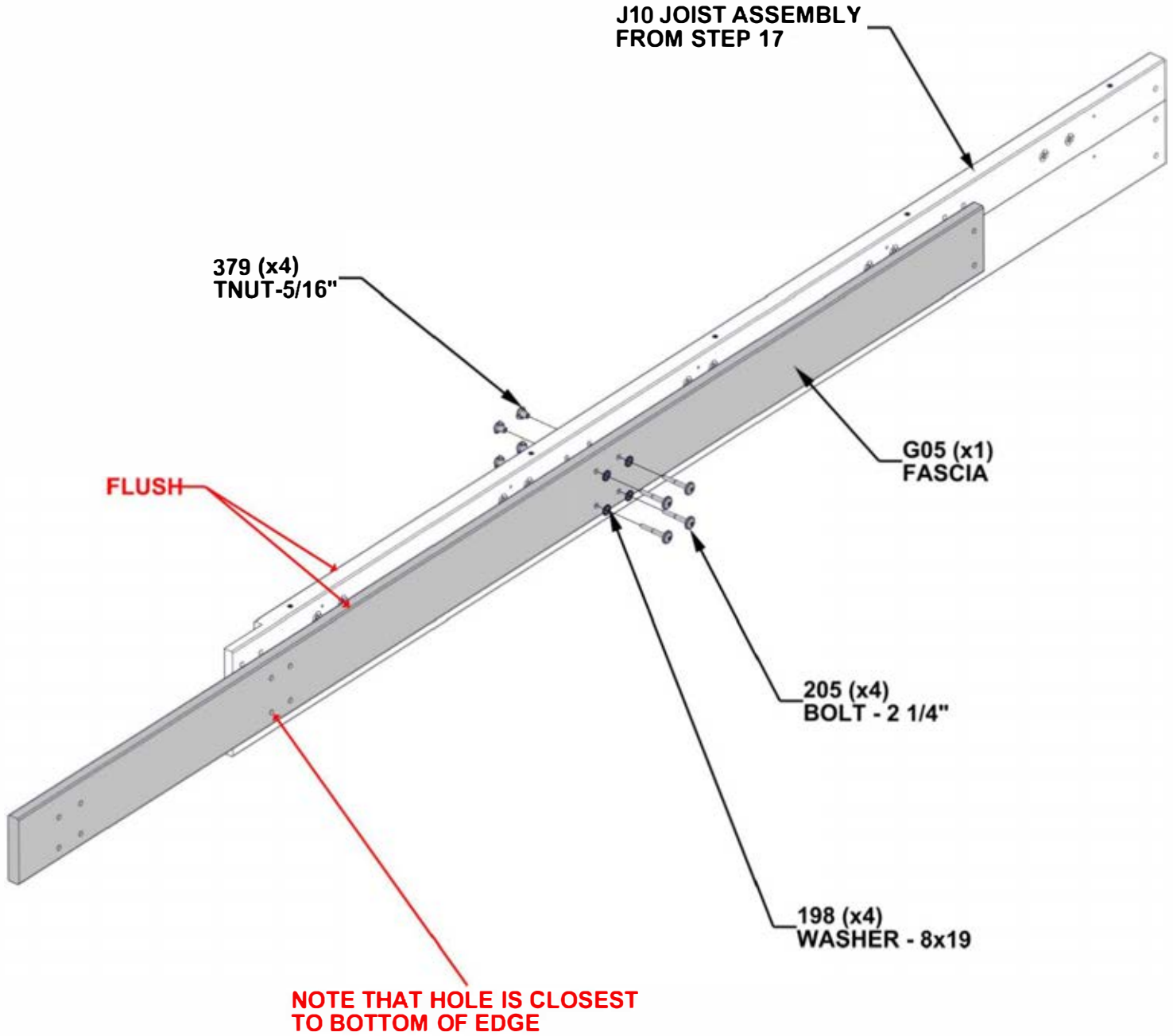
J10 JOIST ASSEMBLY FROM STEP 17



G05 FASCIA - W4L19627  
(x1) 15/16"x5 1/4"x100 15/16" (24x134x2564)

QTY	PART NUMBER	DESCRIPTION
4	H100198	WASHER LOCK EXT 8x19
4	H100205	BOLT WH 5/16x2 1/4 BLK
4	H100379	TNUT-5/16" BLK

## INSERT T-NUTS FIRST



# STEP 19B - GAZEBO ASSEMBLY

QTY	PART NUMBER	DESCRIPTION
6	H100198	WASHER LOCK EXT 8x19
6	H100379	TNUT-5/16" BLK
6	H100415	BOLT WH 5/16x3 3/4 BLK



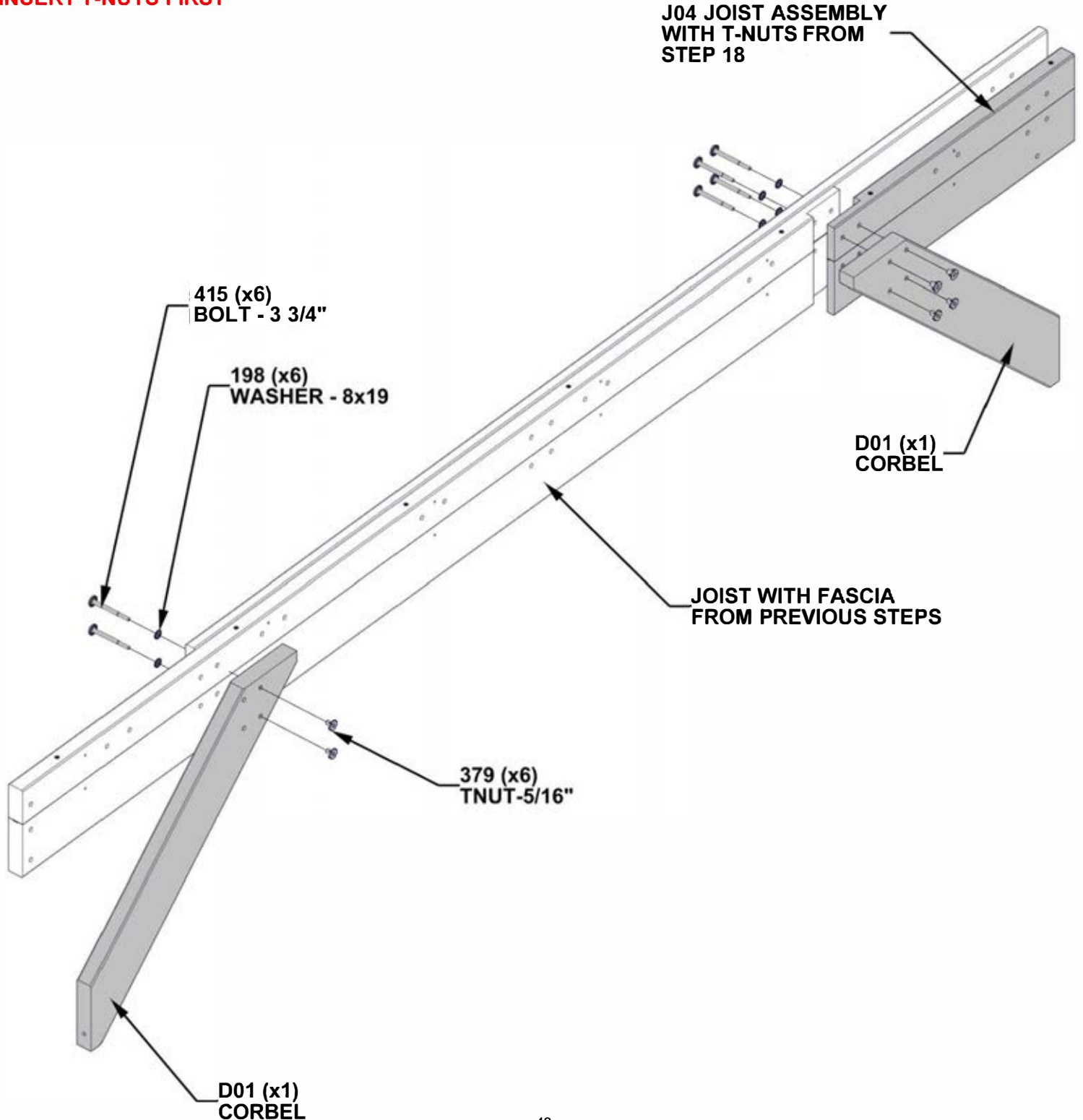
J04 JOIST ASSEMBLY WITH T-NUTS FROM STEP 18

D01 CORBEL - W4L17290 (x2) 1 7/16"x5 1/4"x34 7/16" (36x134x874)



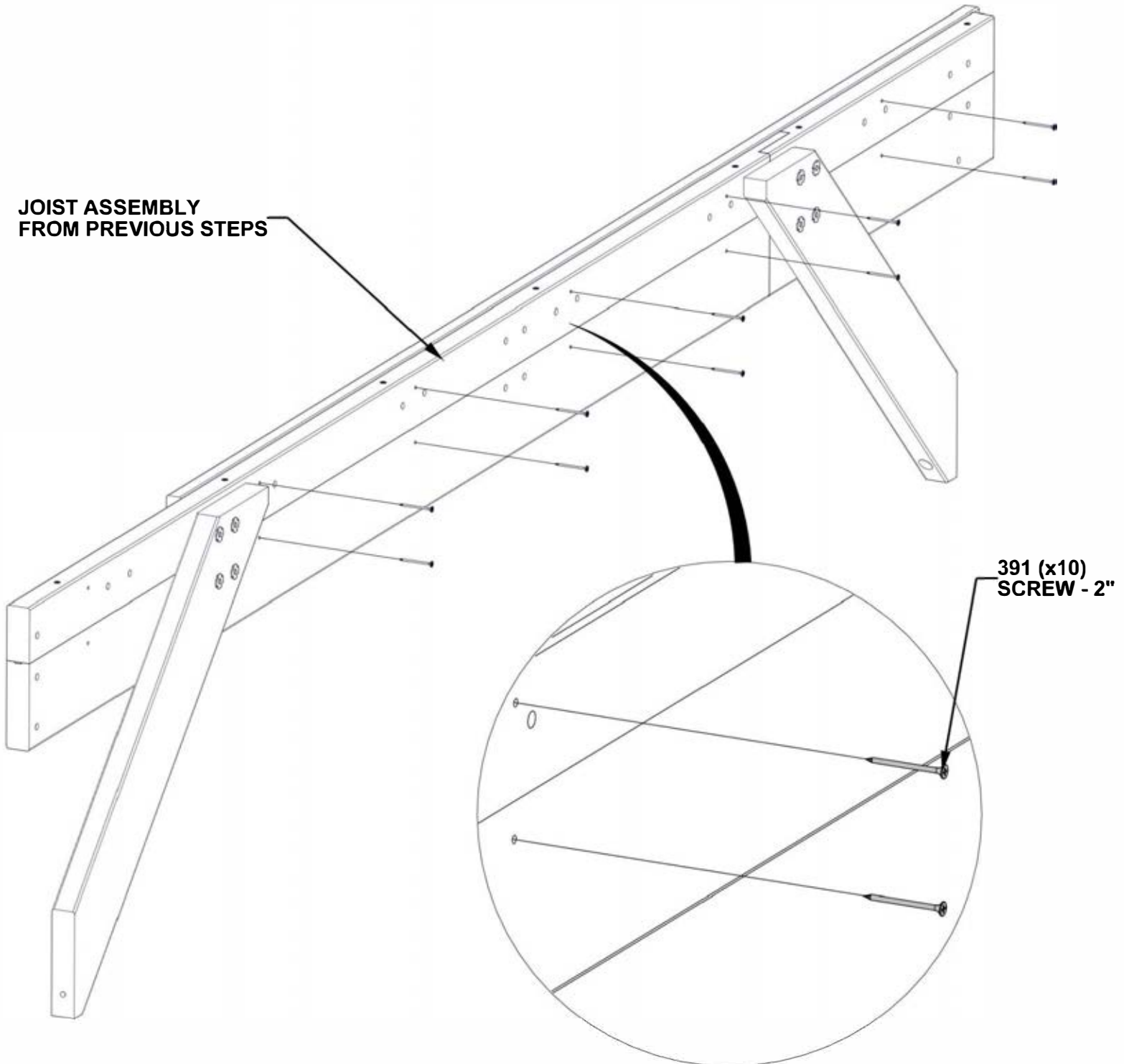
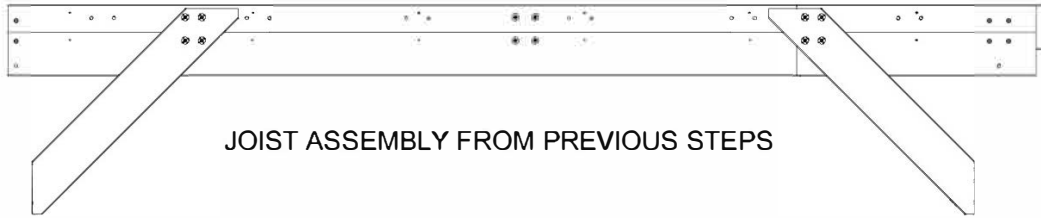
JOIST WITH FASCIA FROM PREVIOUS STEPS

## INSERT T-NUTS FIRST



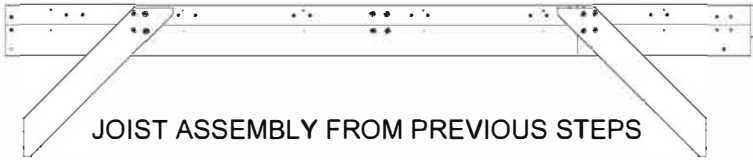
# STEP 19C - GAZEBO ASSEMBLY

QTY	PART NUMBER	DESCRIPTION
10	H100391	SCREW PFH 8x2 BLK



# STEP 20 - GAZEBO ASSEMBLY

QTY	PART NUMBER	DESCRIPTION
2	H100197	LAG SCREW WH 5/16x2 1/2 BLK
6	H100198	WASHER LOCK EXT 8x19
4	H100379	TNUT-5/16" BLK
2	H100405	WASHER LOCK EXT 6x15
2	H100792	LAG SCREW WH 1/4x3 BLK
4	H101153	BOLT WH 5/16x8 1/4 BLK



**NOTE:**  
 - EXTRA PEOPLE ARE HELPFUL FOR THIS STEP  
 - THE FRONT OF THE UNIT IS DETERMINED BY THE TALLER POST

**INSERT T-NUTS FIRST**

198 (x6)  
WASHER - 8x19

1153 (x4)  
BOLT - 8 1/4"

197 (x2)  
LAG SCREW - 2 1/2"

379 (x4)  
TNUT-5/16"

LAG SCREW WILL GO THORUGH BOTTOM HOLE

ALIGN CORBEL WITH PILOT HOLE IN POST

792 (x2)  
LAG SCREW - 3"

405 (x2)  
WASHER - 6x15

JOIST ASSEMBLY FROM PREVIOUS STEP

FRONT

BACK

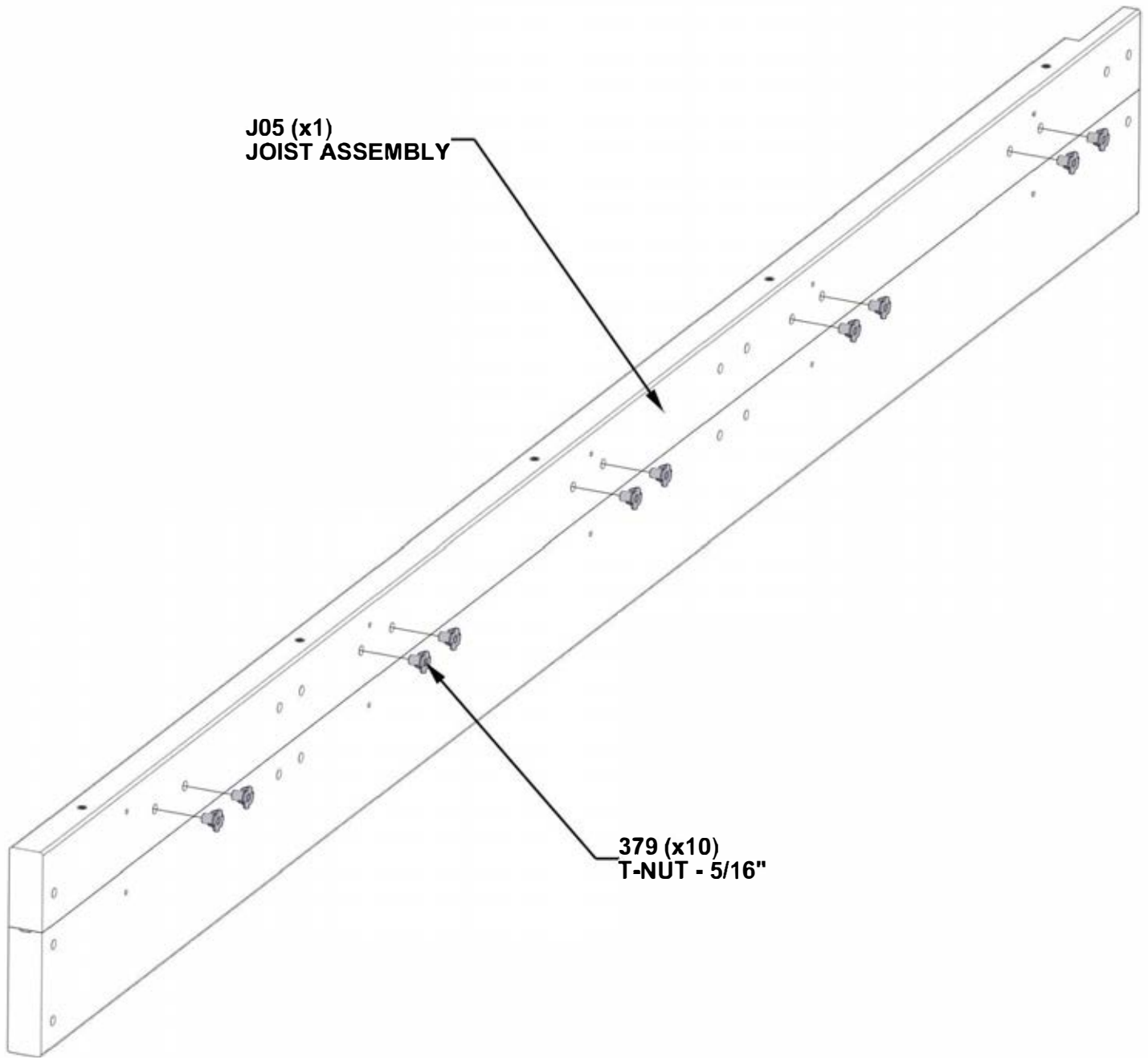
# STEP 21 - GAZEBO ASSEMBLY

QTY	PART NUMBER	DESCRIPTION
10	H100379	T-NUT 5/16 BLK



J05 JOIST ASSEMBLY - W2A04084  
(x1) 1 7/16"x8 7/16"x97 9/16" (36x214x2478)

**NOTE:**  
**- NOTCH IN JOIST ASSEMBLY FOR LOCATION OF T-NUTS.**



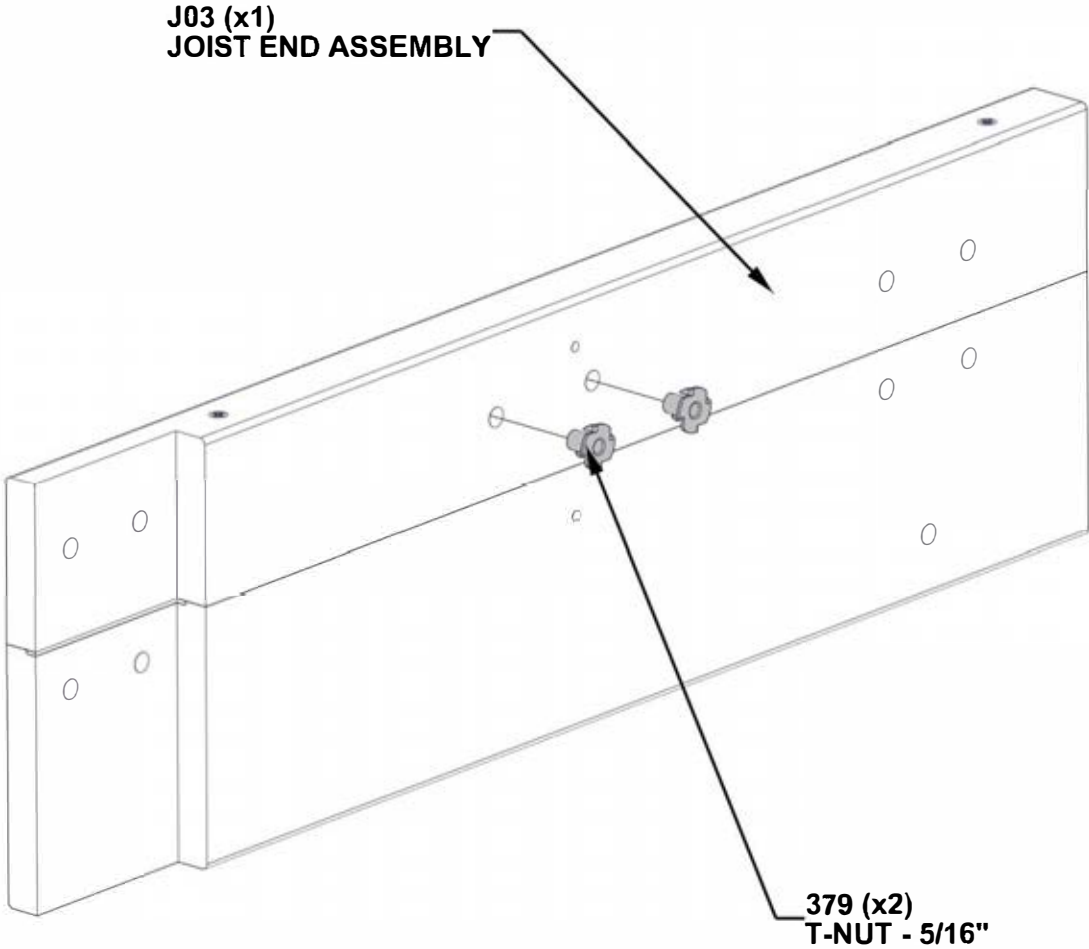
# STEP 22 - GAZEBO ASSEMBLY



QTY	PART NUMBER	DESCRIPTION
2	H100379	T-NUT 5/16 BLK

J03 JOIST END ASSEMBLY - W2A04079  
(x1) 1 7/16"x8 7/16"x28 7/16" (36x214x722)

**NOTE:**  
**- NOTCH IN JOIST FOR LOCATION OF T-NUTS.**





# STEP 23A - GAZEBO ASSEMBLY



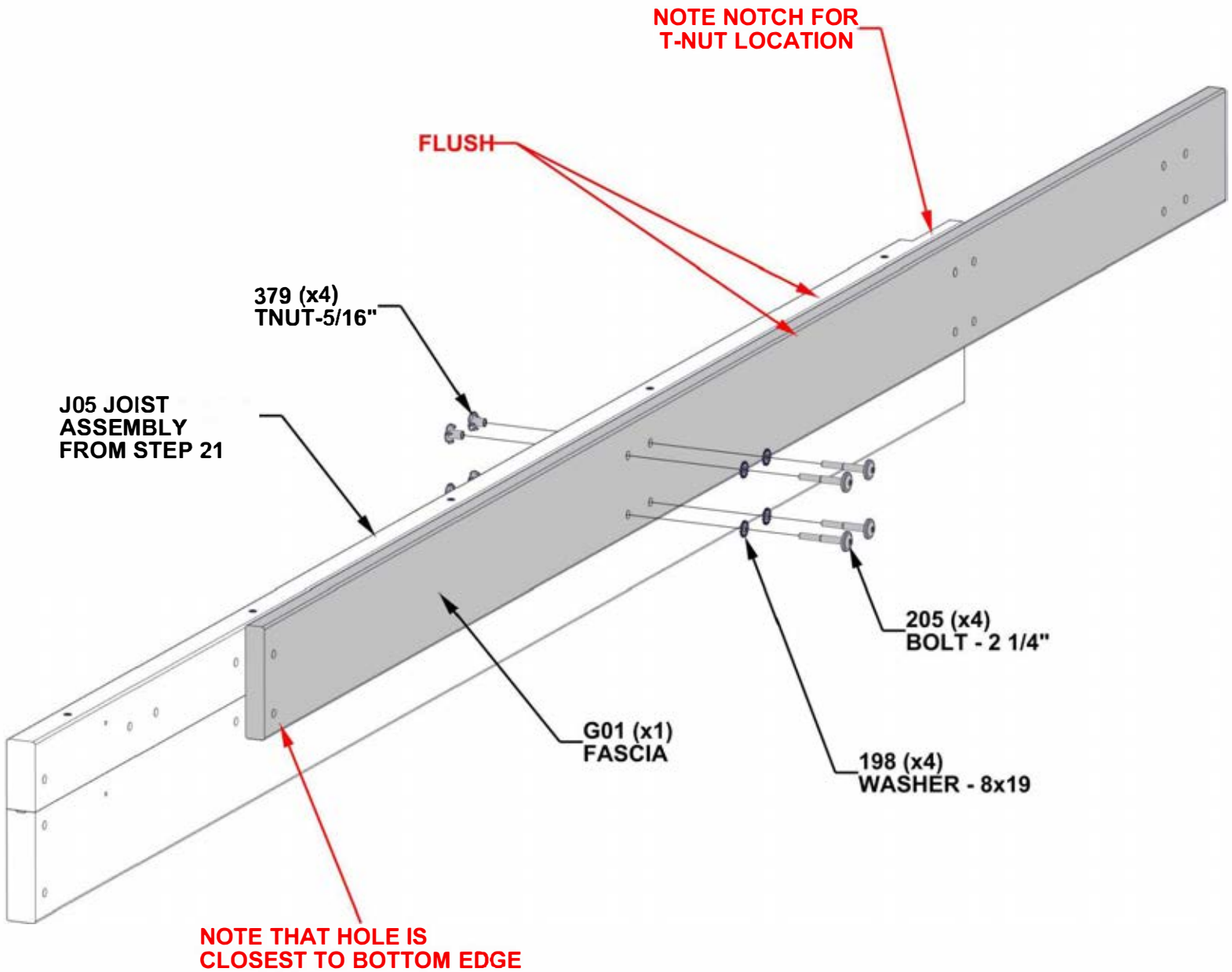
J05 JOIST ASSEMBLY FROM STEP 21

QTY	PART NUMBER	DESCRIPTION
4	H100198	WASHER LOCK EXT 8x19
4	H100205	BOLT WH 5/16x2 1/4 BLK
4	H100379	TNUT-5/16" BLK



G01 FASCIA - W4L19625  
(x1) 15/16"x5 1/4"x100 15/16" (24x134x2564)

## INSERT T-NUTS FIRST





# STEP 23B - GAZEBO ASSEMBLY

QTY	PART NUMBER	DESCRIPTION
6	H100198	WASHER LOCK EXT 8x19
6	H100379	TNUT-5/16" BLK
6	H100415	BOLT WH 5/16x3 3/4 BLK



D01 CORBEL - W4L17290  
(x2) 1 7/16"x5 1/4"x34 7/16" (36x134x874)

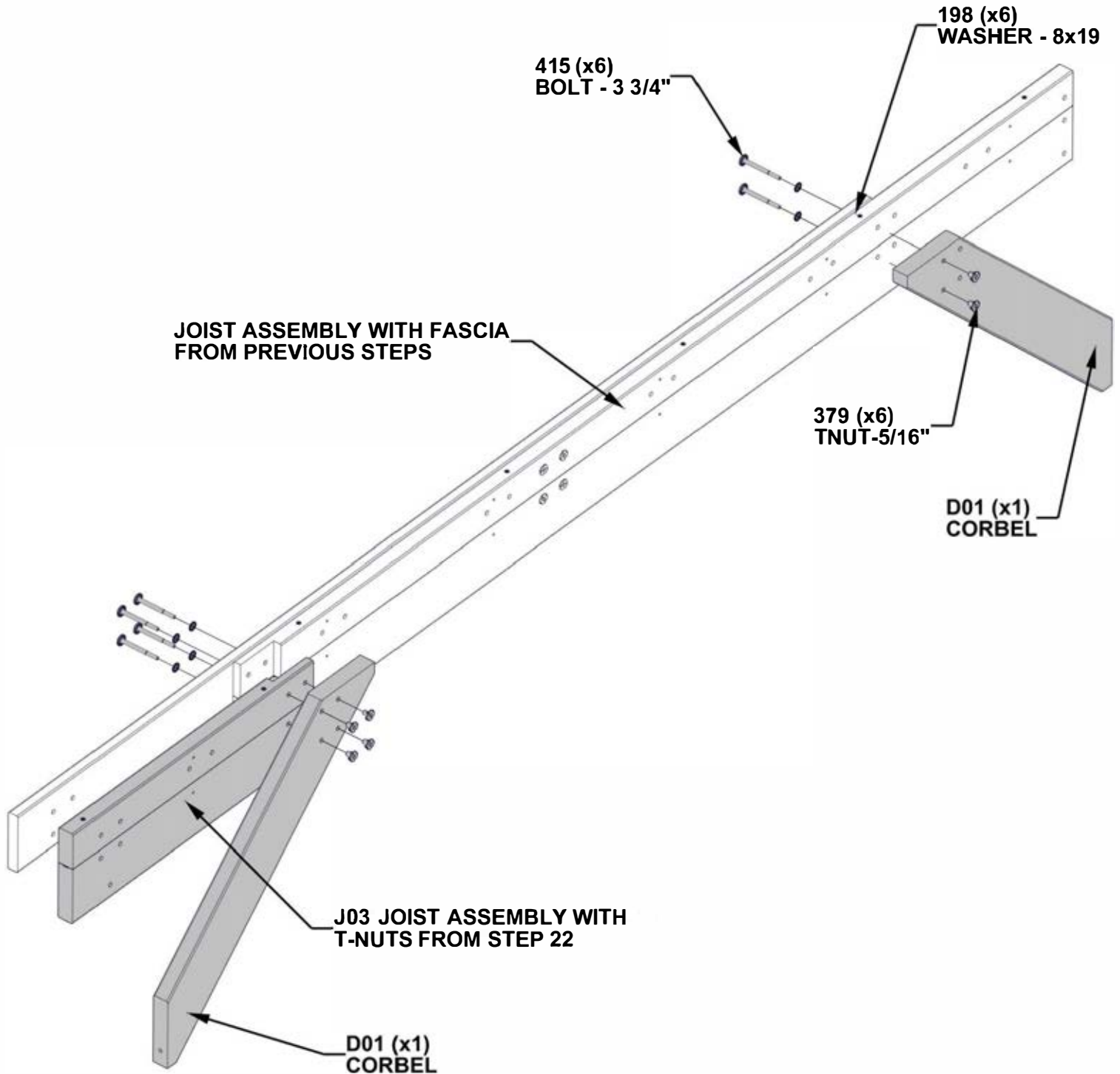


J03 JOIST ASSEMBLY WITH T-NUTS FROM STEP 22



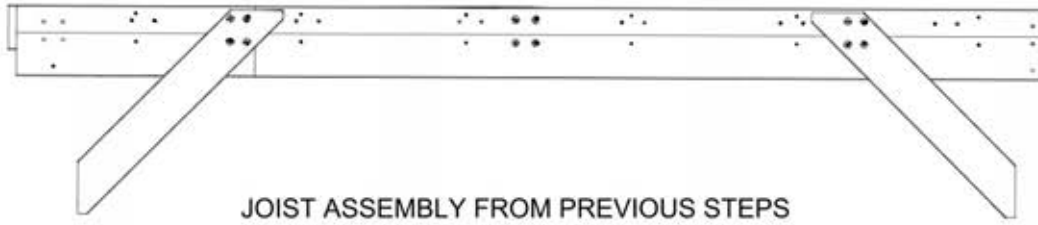
JOIST ASSEMBLY WITH FASCIA FROM PREVIOUS STEPS

## INSERT T-NUTS FIRST

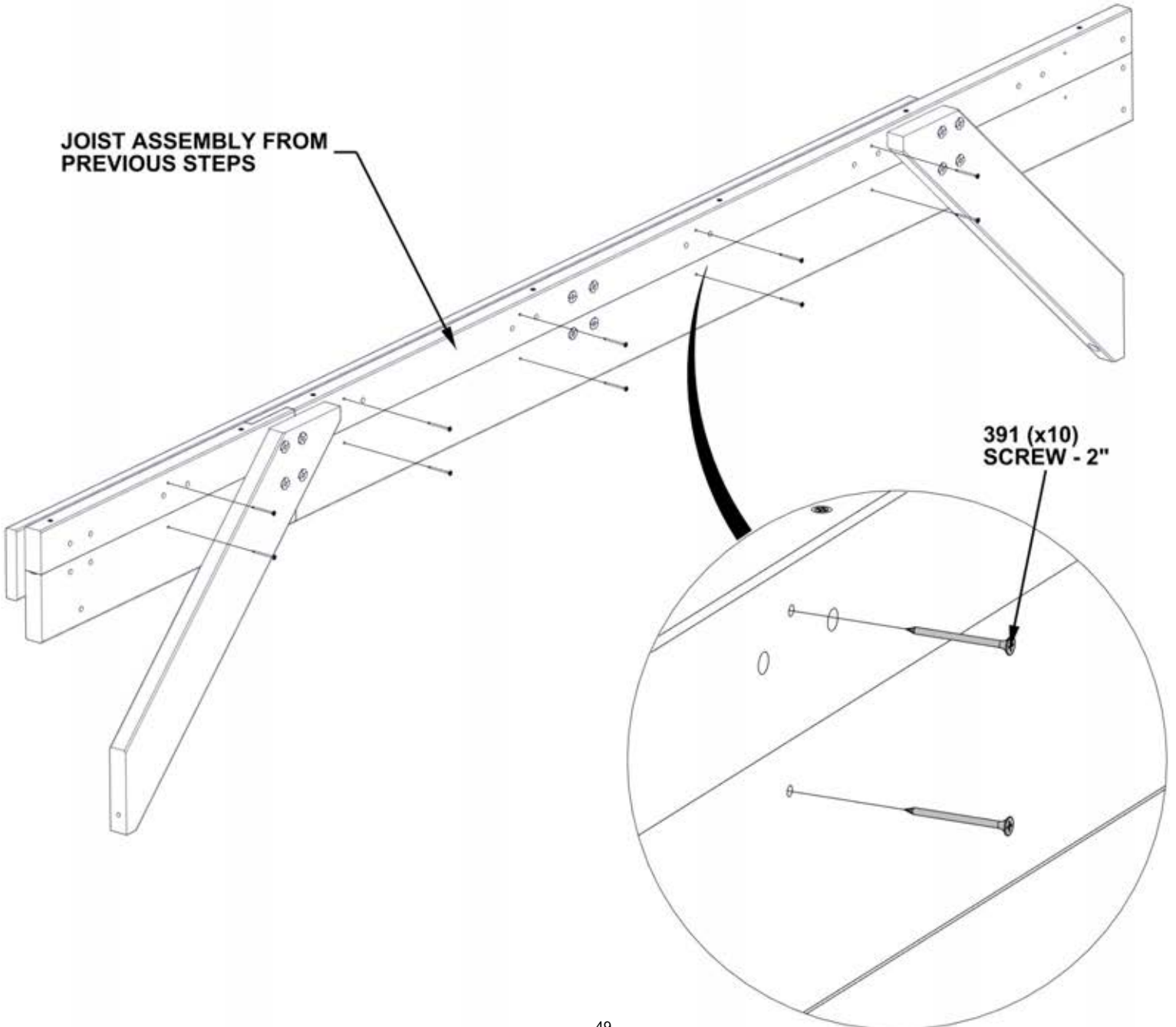


# STEP 23C - GAZEBO ASSEMBLY

QTY	PART NUMBER	DESCRIPTION
10	H100391	SCREW PFH 8x2 BLK



JOIST ASSEMBLY FROM PREVIOUS STEPS





# STEP 25 - GAZEBO ASSEMBLY



G02 FASCIA - W4L19626  
(x1) 15/16"x5 1/4"x44 1/8" (24x134x1120)

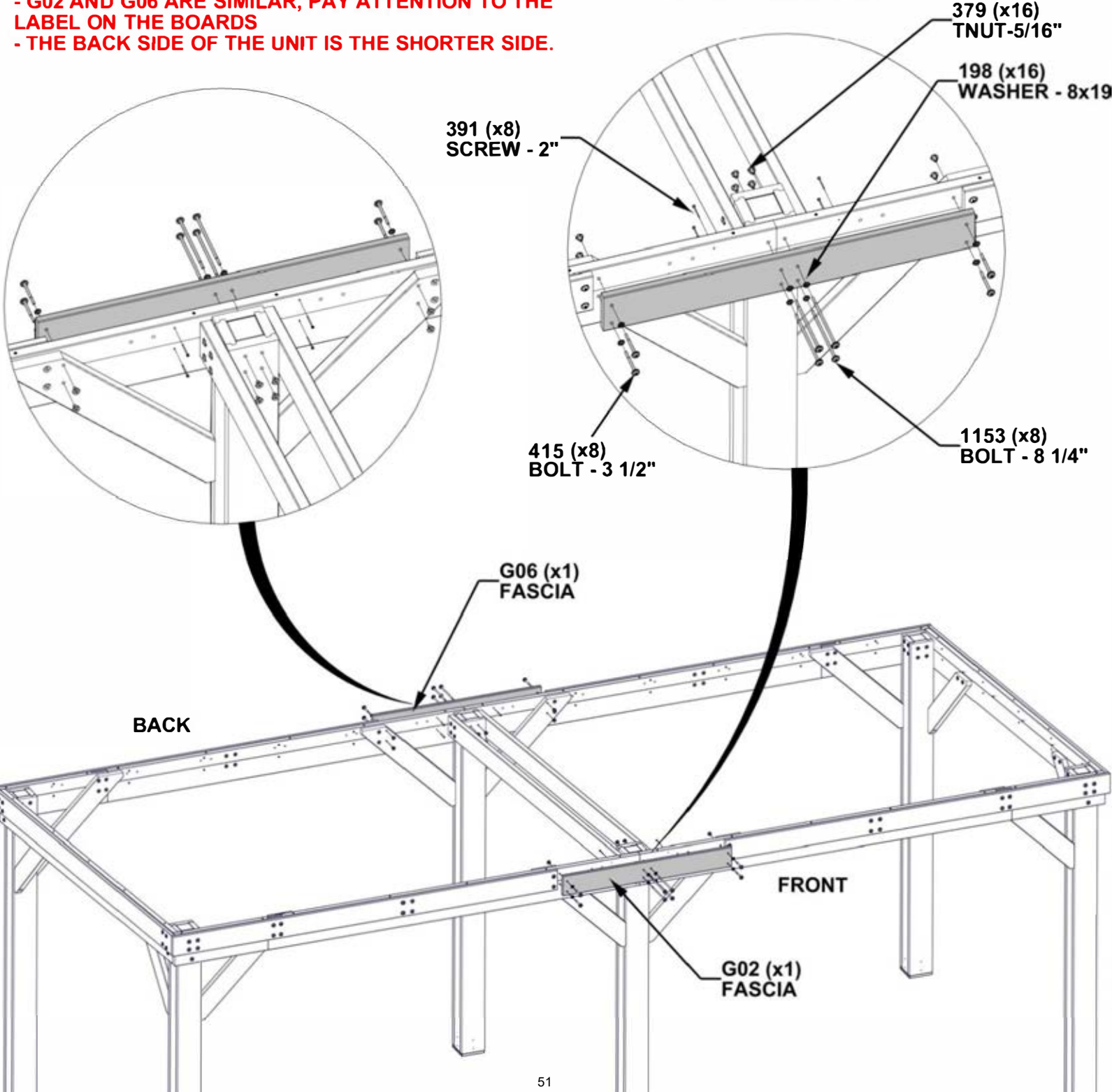


G06 FASCIA - W4L19628  
(x1) 15/16"x5 1/4"x44 1/8" (24x134x1120)

QTY	PART NUMBER	DESCRIPTION
16	H100198	WASHER LOCK EXT 8x19
16	H100379	TNUT-5/16" BLK
8	H100391	SCREW PFH 8x2 BLK
8	H100415	BOLT WH 5/16x3 3/4 BLK
8	H101153	BOLT WH 5/16x8 1/4 BLK

- NOTES:**
- G02 AND G06 ARE SIMILAR, PAY ATTENTION TO THE LABEL ON THE BOARDS
  - THE BACK SIDE OF THE UNIT IS THE SHORTER SIDE.

**INSERT T-NUTS FIRST**

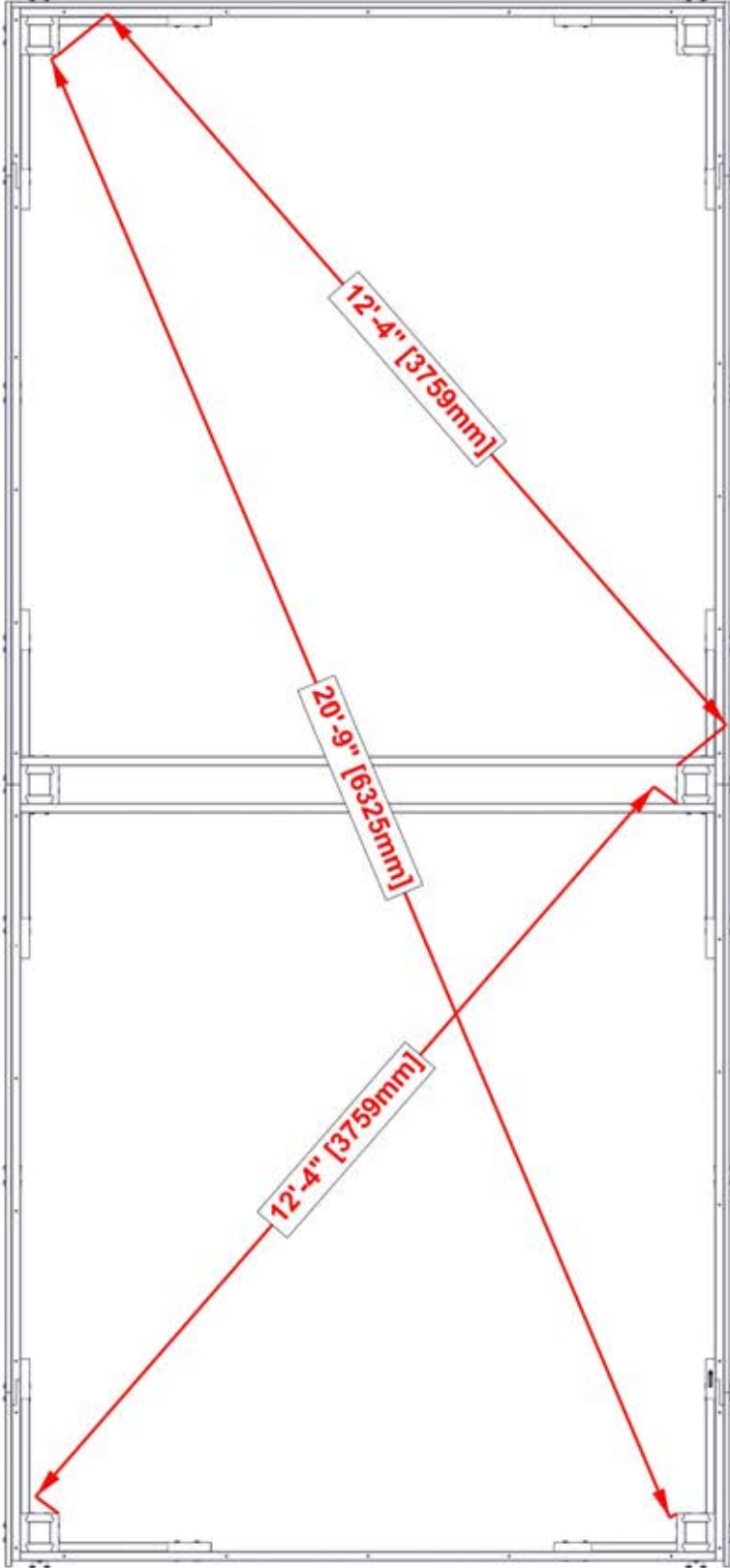




# STEP 26 - SQUARE ASSEMBLY

**CRITICAL: SQUARE ASSEMBLY BEFORE PROCEEDING TO NEXT STEPS. ONCE SQUARE, ENSURE ALL HARDWARE IS FULLY TIGHTENED.**

MEASUREMENTS TAKEN FROM INSIDE OF POST TO INSIDE OF POST.



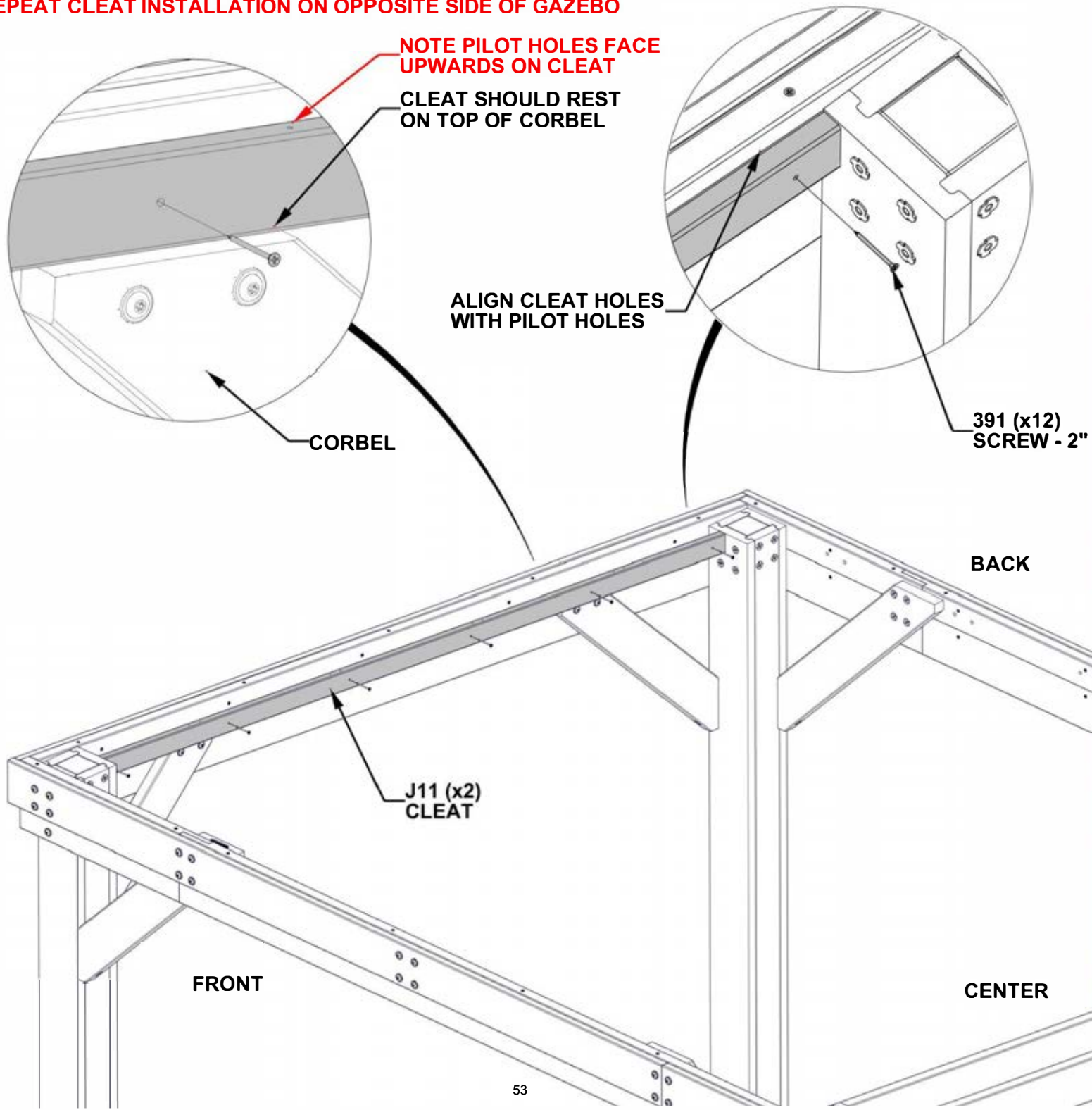
# STEP 27 - GAZEBO ASSEMBLY

QTY	PART NUMBER	DESCRIPTION
12	H100391	SCREW PFH 8x2 BLK



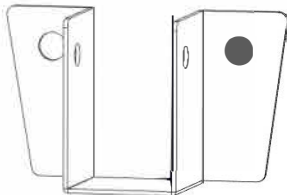
J11 CLEAT - W4L17411  
(x2) 15/16"x2 3/8"x97 9/16" (24x60x2479)

**NOTE:**  
**- REPEAT CLEAT INSTALLATION ON OPPOSITE SIDE OF GAZEBO**





# STEP 28 - GAZEBO ASSEMBLY

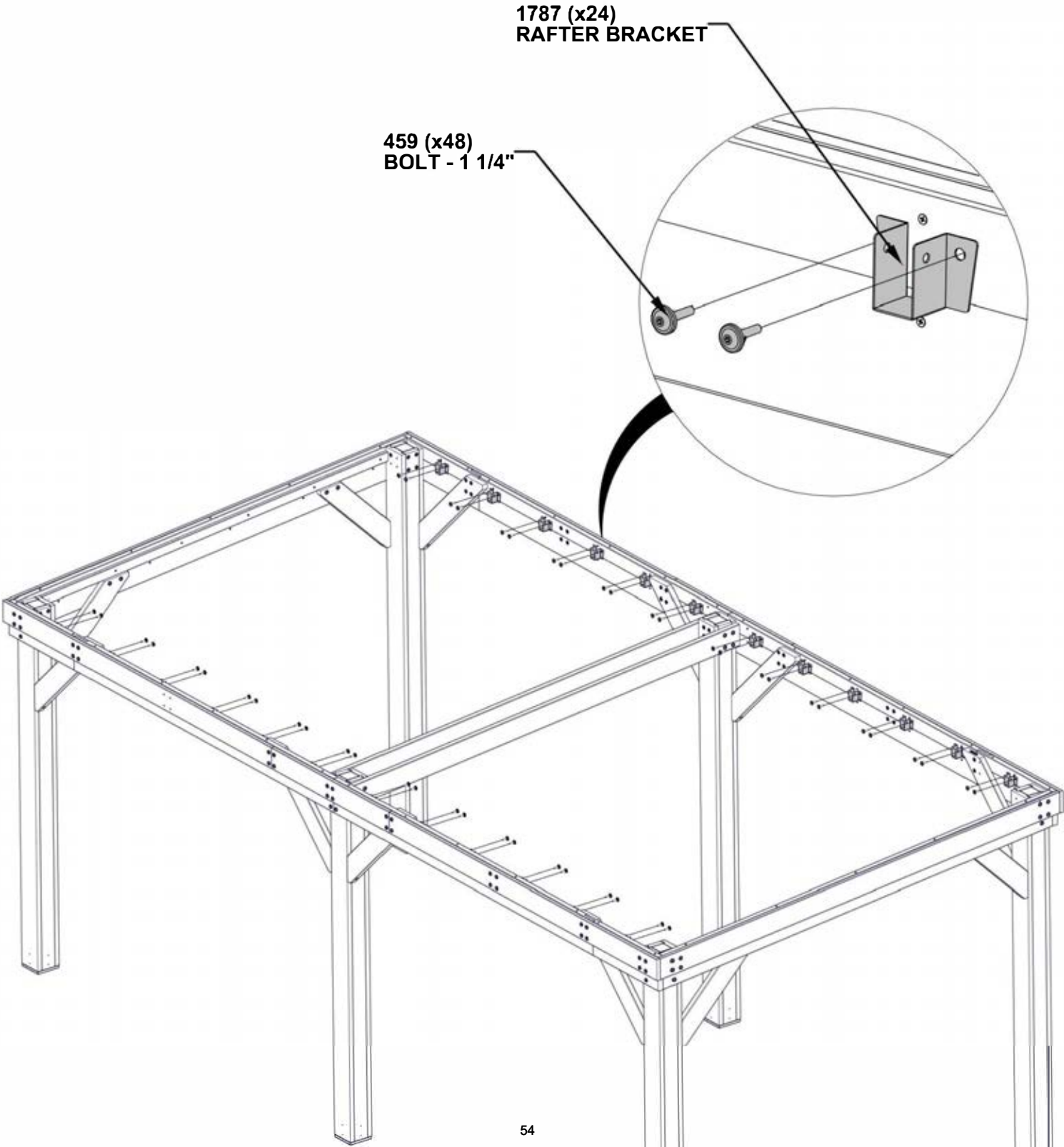


A4M01787 RAFTER BRACKET  
(x24)

QTY	PART NUMBER	DESCRIPTION
48	H100459	BOLT WH 5/16x1 1/4 BLK

1787 (x24)  
RAFTER BRACKET

459 (x48)  
BOLT - 1 1/4"



# STEP 29 - GAZEBO ASSEMBLY

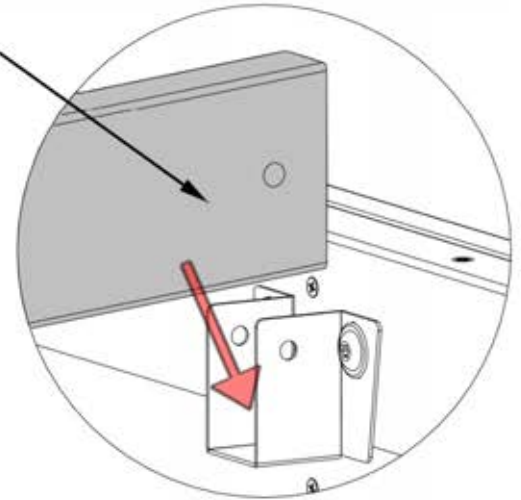
QTY	PART NUMBER	DESCRIPTION
24	H100488	BOLT WH 1/4x2 BLK
24	H100630	WASHER FLAT 8x19 BLK
24	H100653	NUT LOCK 1/4 BLK



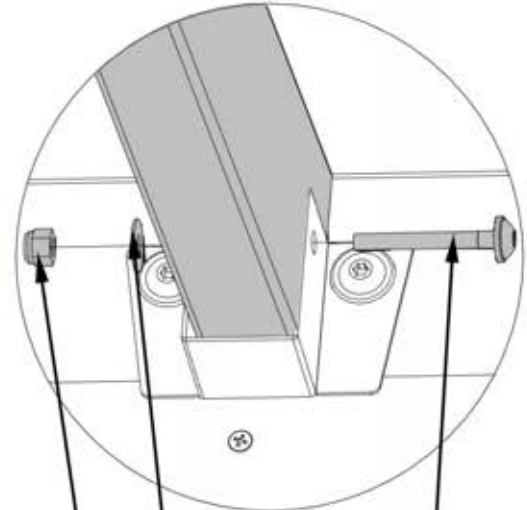
E01 RAFTER - W4L17405  
(x12) 1 7/16"x3 3/8"x109 3/4" (36x86x2787)

- NOTES:**
- INSERT RAFTERS INTO BRACKETS.
  - ATTACH RAFTERS TO BRACKETS USING 2" BLOTS, FLAT WASHERS, AND LOCK NUTS.
  - NOTCHES IN ALL RAFTERS WILL FACE UPWARDS.

E01



E01 (x12)  
RAFTER



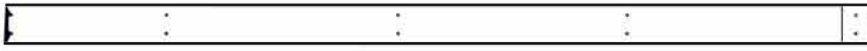
488 (x24)  
BOLT - 2"

630 (x24)  
WASHER - 8x19

653 (x24)  
LOCK NUT - 1/4"

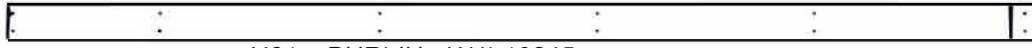


# STEP 30A - GAZEBO ASSEMBLY



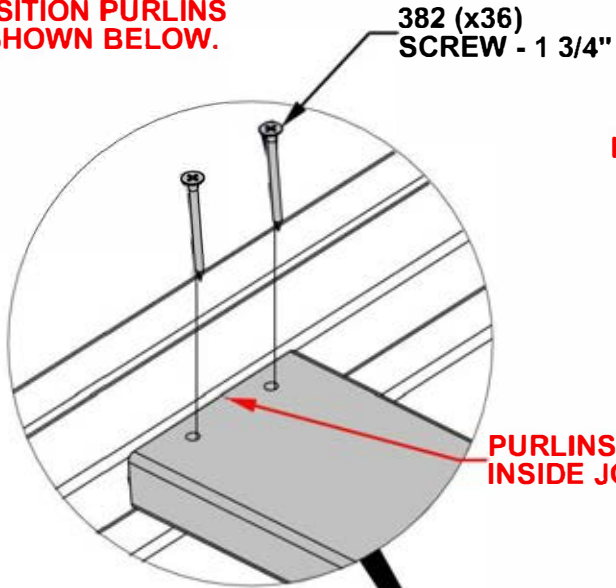
H02 PURLIN - W4L19246  
(x2) 15/16"x3 3/8"x73 1/4" (24x86x1860)

QTY	PART NUMBER	DESCRIPTION
36	H100382	SCREW PFH 8x1 3/4 BLK

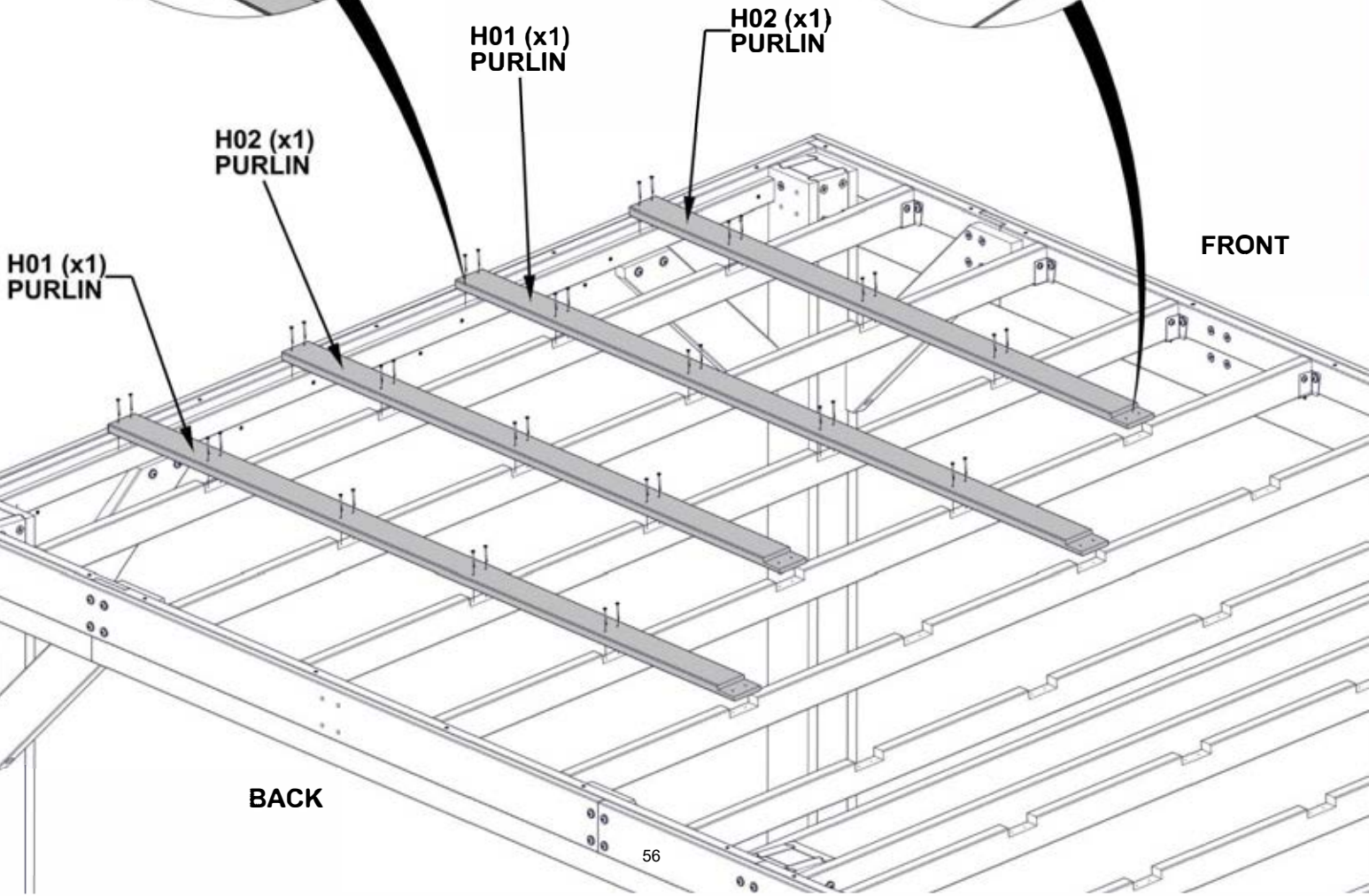
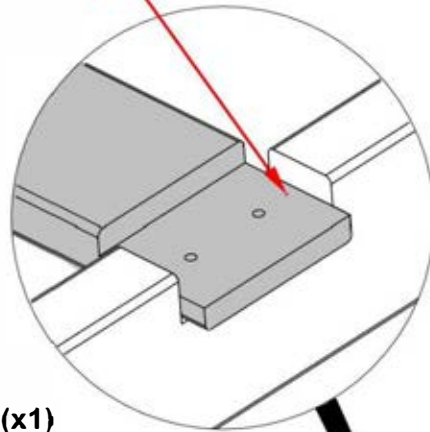


H01 PURLIN - W4L19245  
(x2) 15/16"x3 3/8"x92 1/16" (24x86x2338)

**NOTE:**  
- POSITION PURLINS  
AS SHOWN BELOW.



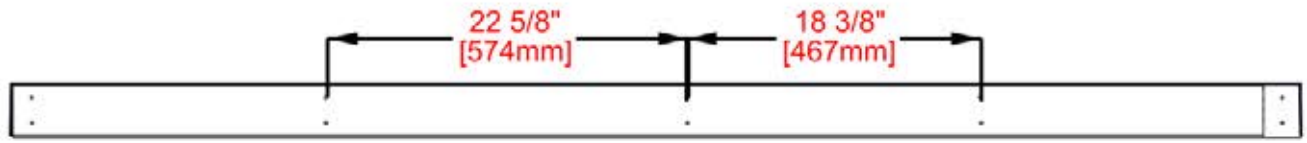
**NOTE NOTCH DIRECTION**





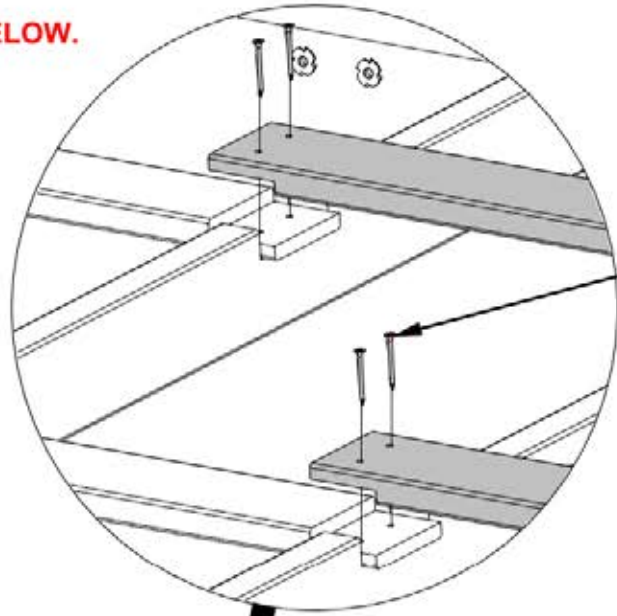
# STEP 30B - GAZEBO ASSEMBLY

QTY	PART NUMBER	DESCRIPTION
32	H100382	SCREW PFH 8x1 3/4 BLK

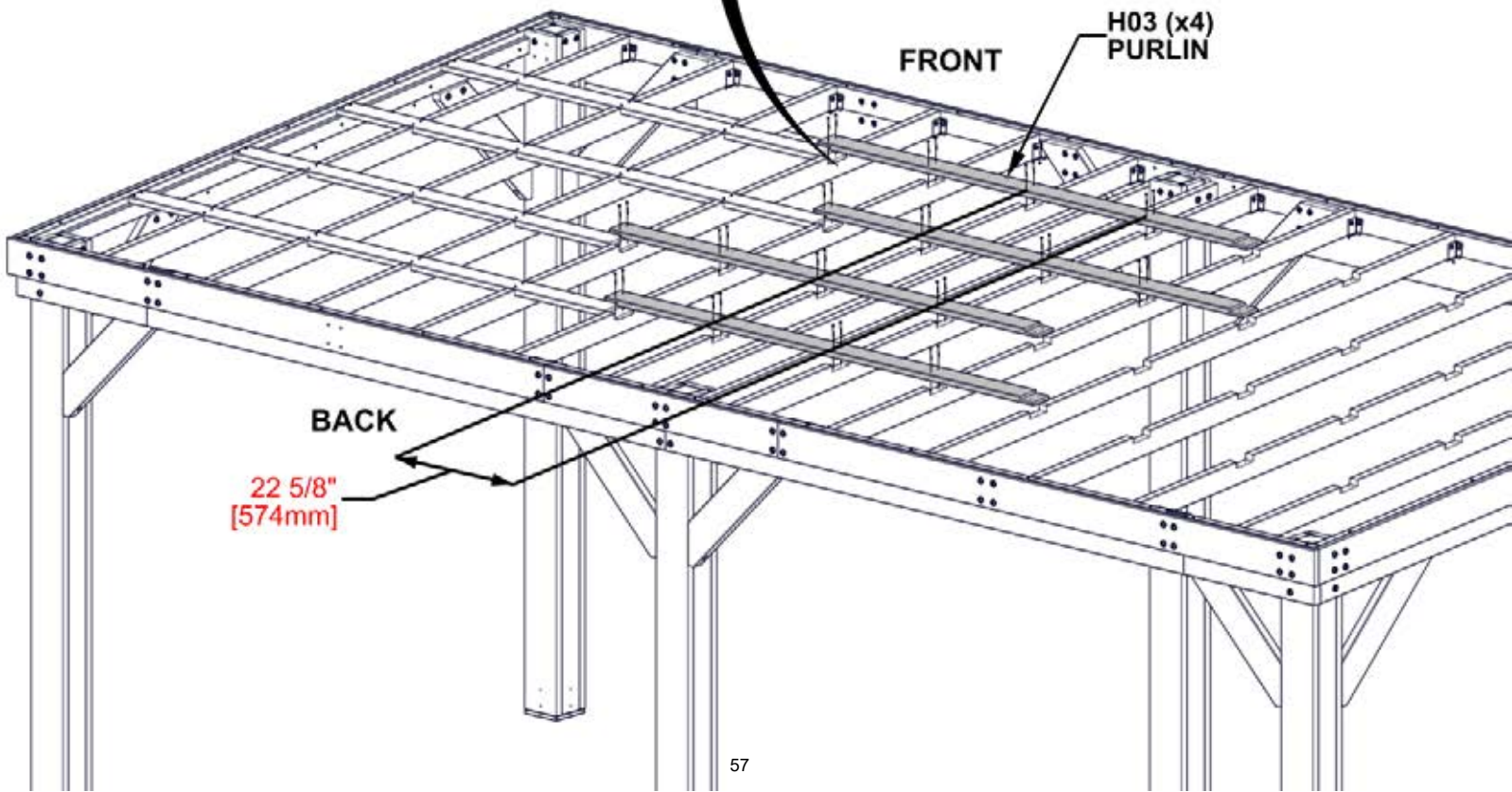


H03 PURLIN - W4L19247  
(x4) 15/16"x3 3/8"x80 9/16" (24x86x2046)

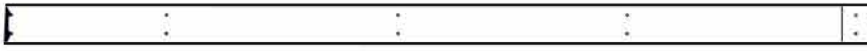
**NOTE:**  
- POSITION PURLINS AS SHOWN BELOW.



382 (x32)  
SCREW - 1 3/4"



# STEP 30C - GAZEBO ASSEMBLY



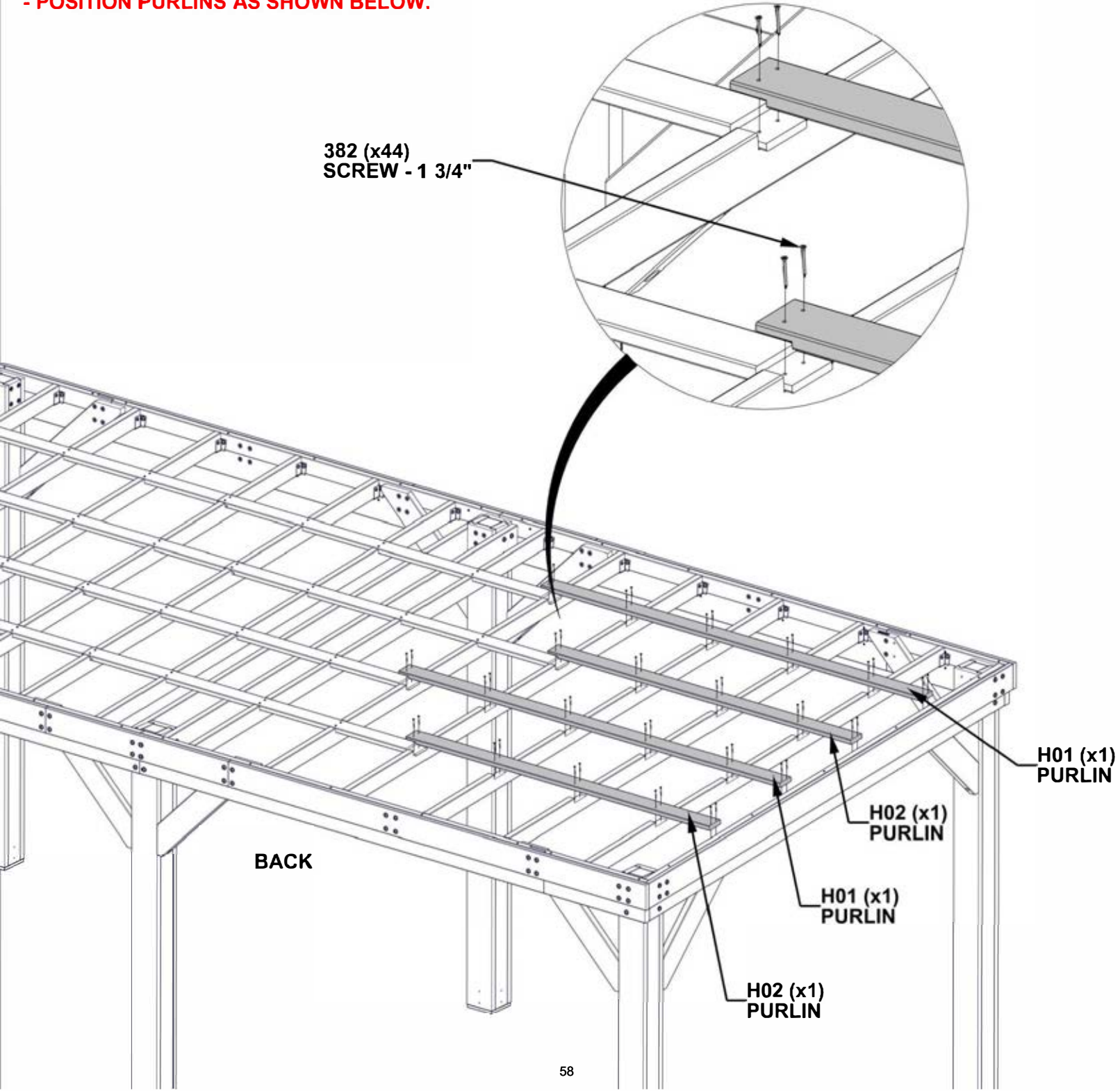
H02 PURLIN - W4L19246  
(x2) 15/16"x3 3/8"x73 1/4" (24x86x1860)

QTY	PART NUMBER	DESCRIPTION
44	H100382	SCREW PFH 8x1 3/4 BLK



H01 PURLIN - W4L19245  
(x2) 15/16"x3 3/8"x92 1/16" (24x86x2338)

**NOTE:**  
**- POSITION PURLINS AS SHOWN BELOW.**



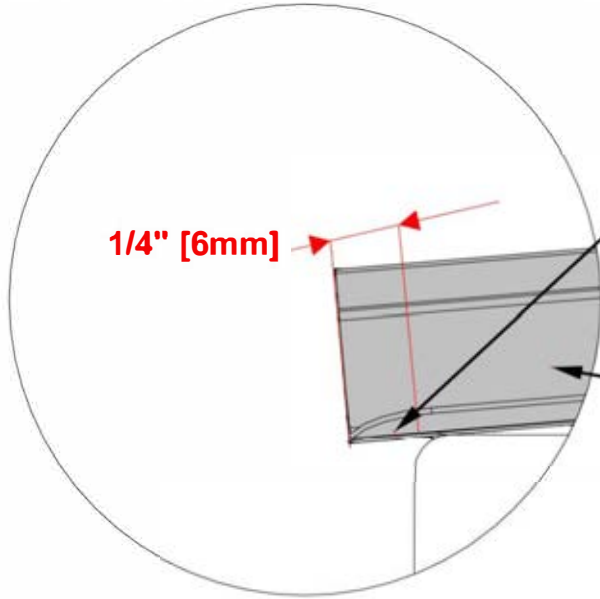
# STEP 31A - GAZEBO ASSEMBLY



A4M02738 29GA SHEETING  
(x1)

**WARNING: GLOVES ARE RECOMMEND WHEN HANDLING STEEL ROOF PIECES.**

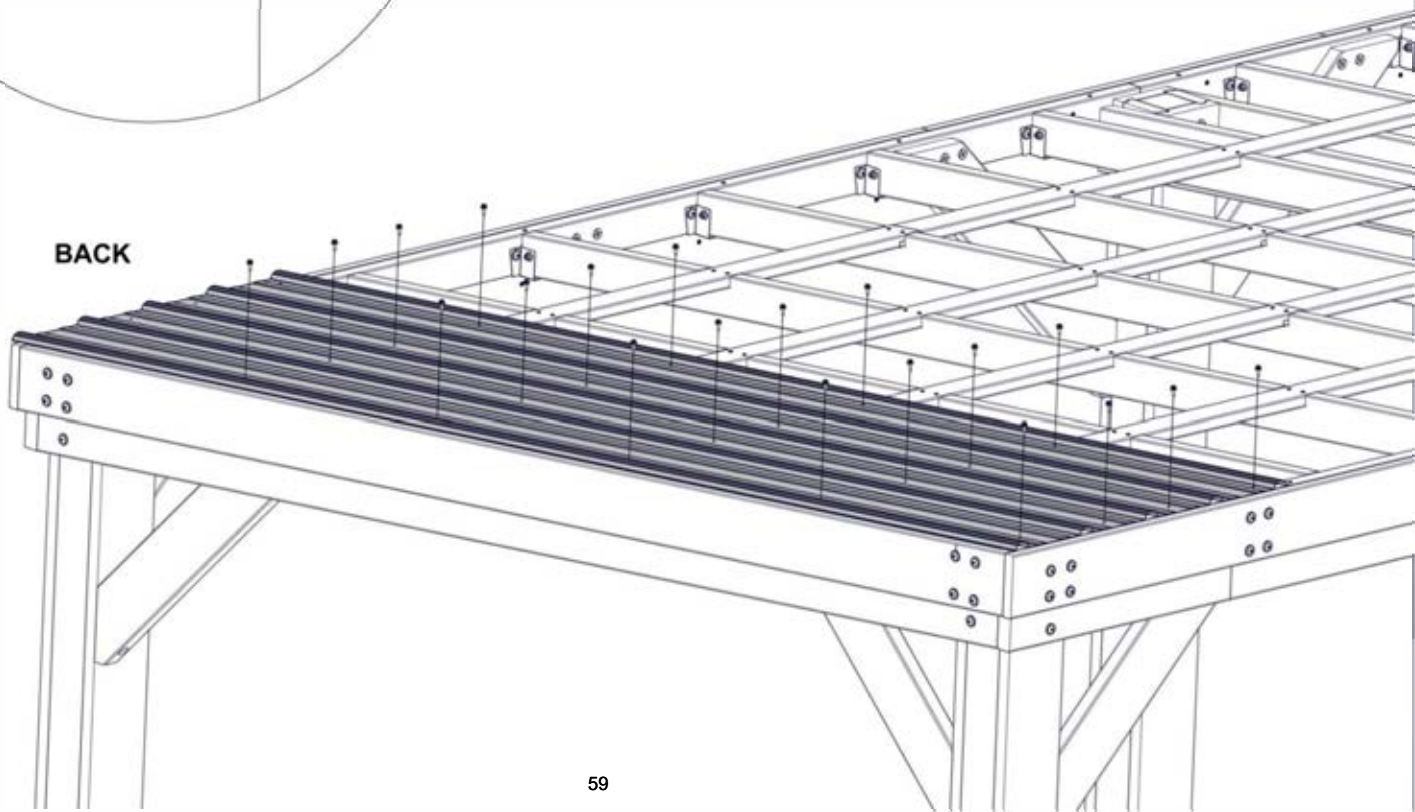
- NOTES:**
- REMOVE BLUE FILM FROM ROOF PANELS.
  - IT IS IMPORTANT THAT YOU POSITION THE ROOF PANELS AS SHOWN SO THE TRIM PIECES WILL FIT CORRECTLY IN FUTURE STEPS.
  - STARTING AT THE BACK OF THE GAZEBO, POSITION THE FIRST ROOF PANEL WITH A 1/4" OVERHANG OFF THE BACK SIDE AND FLUSH ON THE SIDE.
  - IT IS IMPORTANT TO MAINTAIN THE 1/4" GAP FROM THE BACK OF THE GAZEBO TO THE FRONT.
  - ATTACH PANEL AS SHOWN.
  - DO NOT GET ON THE ROOF TO ATTACH SCREWS.
  - DO NOT ATTACH THE BACK ROW OF SCREWS.



1/4" [6mm]

ORIENT FIRST PANEL WITH A 1/4" OVERHANG OFF OF THE BACK SIDE AS SHOWN. SEE STEP 30B FOR FASTENING REQUIREMENTS

2738 (x1)  
29GA SHEETING



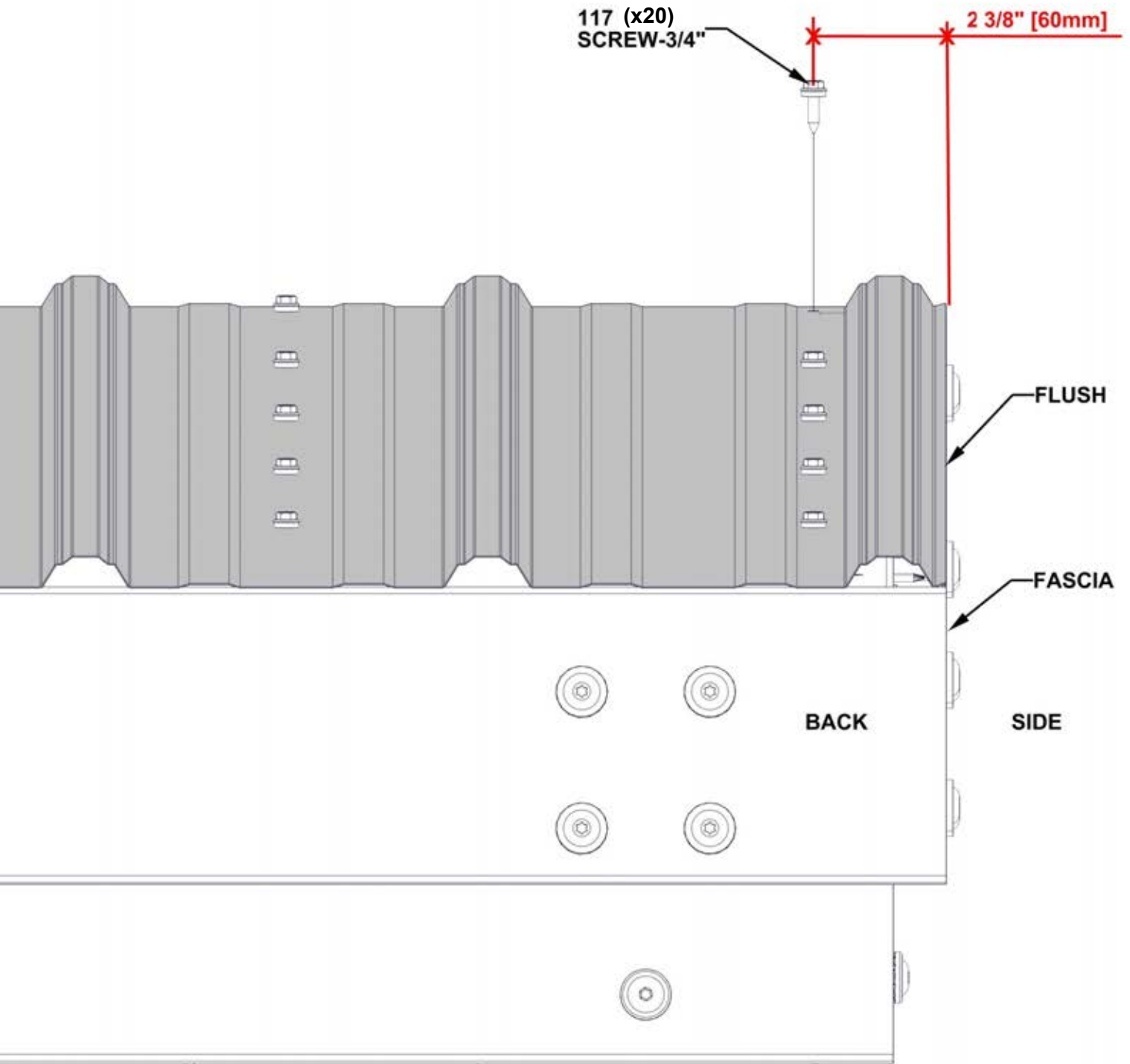


# STEP 31B - GAZEBO ASSEMBLY

Qty	PART NUMBER	DESCRIPTION
20	H101117	SCREW WOODGRIP 10-16x3/4" BLK

**WARNING GLOVES ARE RECOMMENDED WHEN HANDLING STEEL ROOF PIECES.**

**NOTE: THIS IS TO SHOW HOW SCREWS WILL BE PLACED, DO NOT ATTACH THE BACK ROW OF SCREWS. THIS WILL BE ADDED AFTER THE DRIP EDGE HAS BEEN ATTACHED IN FUTURE STEPS.**



# STEP 32 - GAZEBO ASSEMBLY

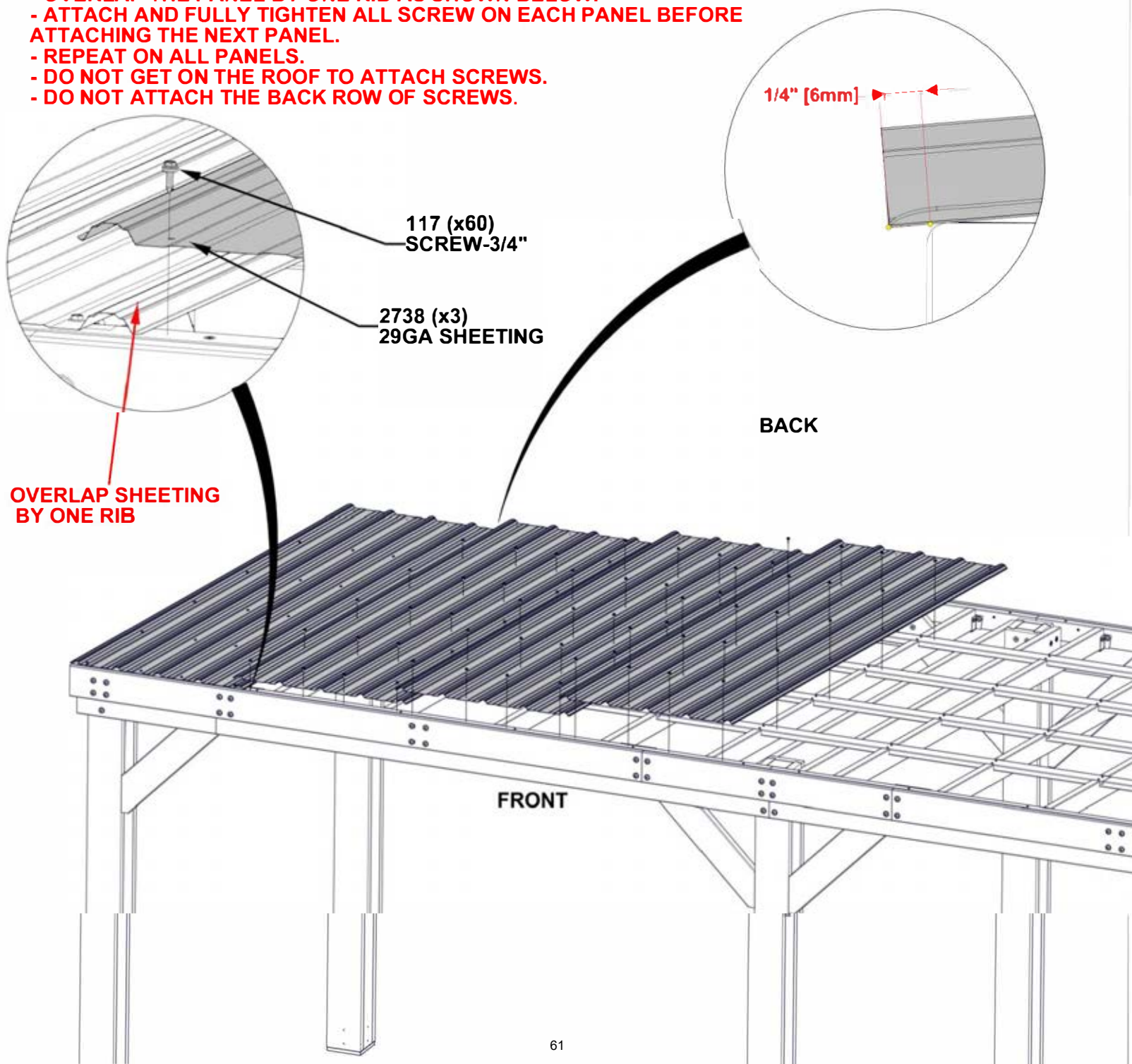
QTY	PART NUMBER	DESCRIPTION
60	H101117	SCREW WOODGRIP 10-16x3/4" BLK



2738 29GA SHEETING - A4M02738 (x3)

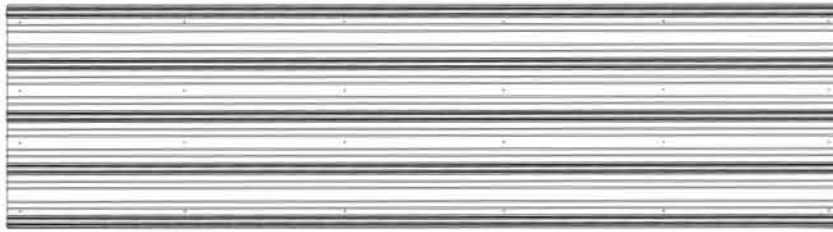
## NOTES:

- ENSURE THAT THE NEXT PLANE OVERHANGS THE BACKSIDE OF THE GAZEBO BY 1/4".
- OVERLAP THE PANEL BY ONE RIB AS SHOWN BELOW.
- ATTACH AND FULLY TIGHTEN ALL SCREW ON EACH PANEL BEFORE ATTACHING THE NEXT PANEL.
- REPEAT ON ALL PANELS.
- DO NOT GET ON THE ROOF TO ATTACH SCREWS.
- DO NOT ATTACH THE BACK ROW OF SCREWS.



# STEP 33 - GAZEBO ASSEMBLY

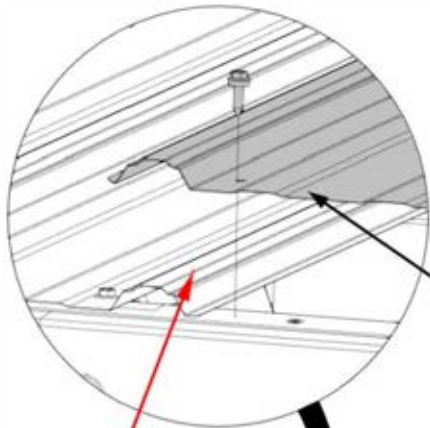
QTY	PART NUMBER	DESCRIPTION
80	H101117	SCREW WOODGRIP 10-16x3/4" BLK



A4M02738 29GA SHEETING  
(x4)

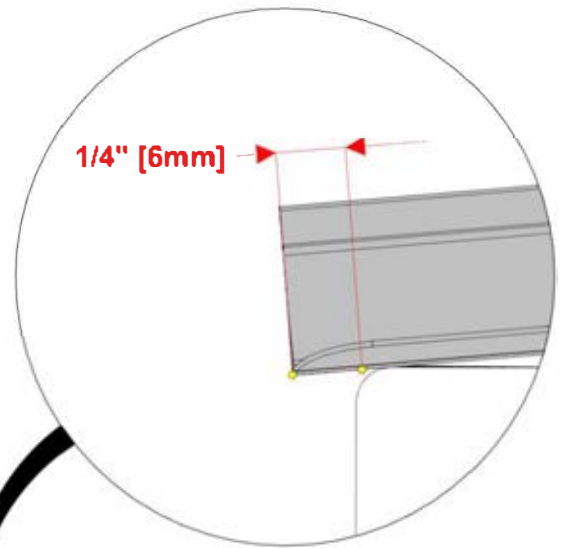
## NOTES:

- ENSURE THAT THE NEXT PLANE OVERHANGS THE BACKSIDE OF THE GAZEBO BY 1/4".
- OVERLAP THE PANEL BY ONE RIB AS SHOWN BELOW.
- ATTACH AND FULLY TIGHTEN ALL SCREW ON EACH PANEL BEFORE ATTACHING THE NEXT PANEL.
- REPEAT ON ALL PANELS.
- DO NOT GET ON THE ROOF TO ATTACH SCREWS.
- DO ATTACH BACK ROW OF SCREWS

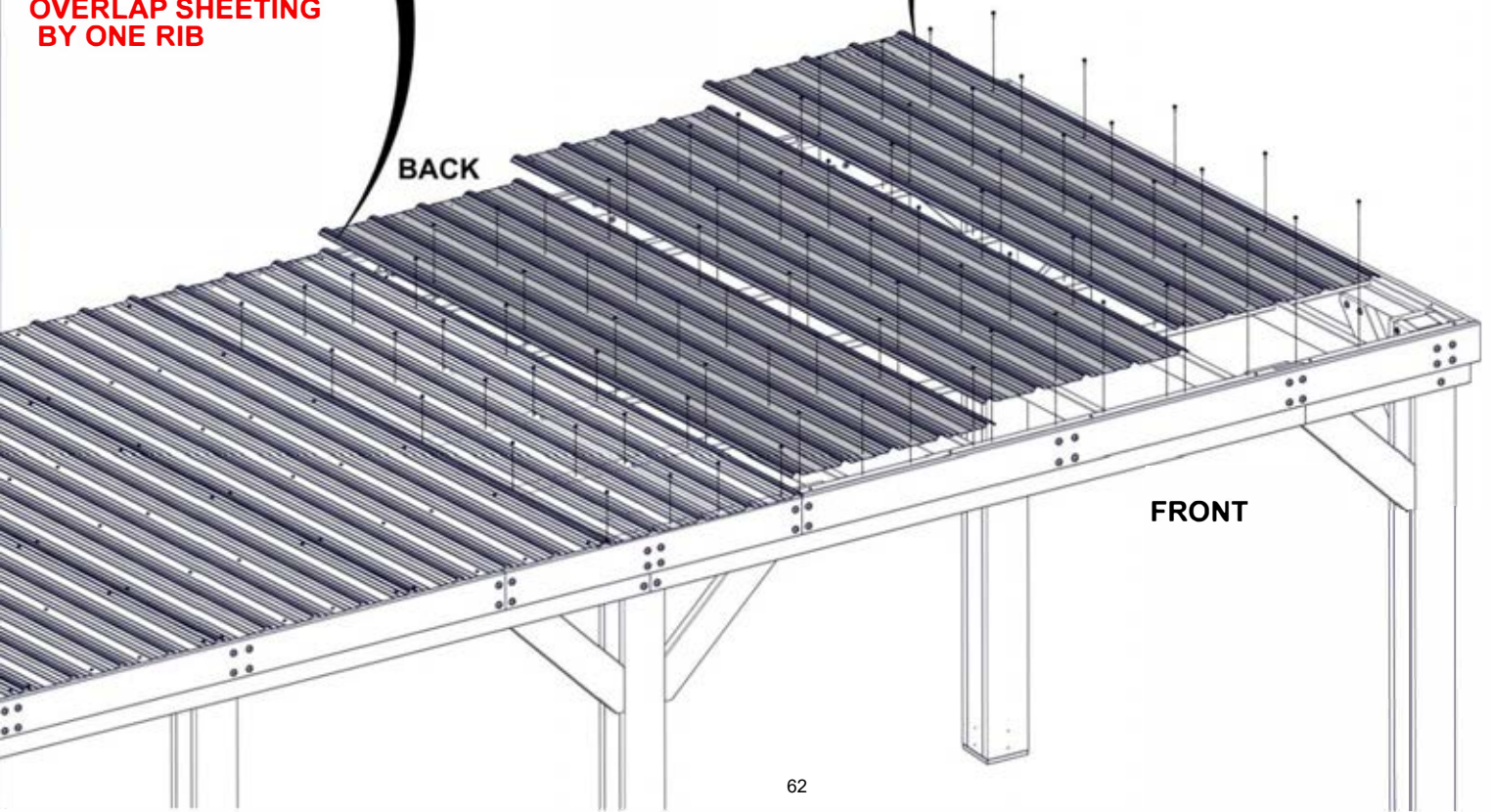


117 (x80)  
SCREW 3/4"

OVERLAP SHEETING  
BY ONE RIB



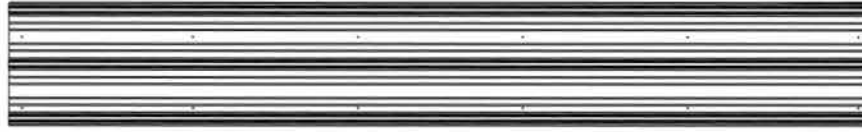
1/4" [6mm]





# STEP 34 - GAZEBO ASSEMBLY

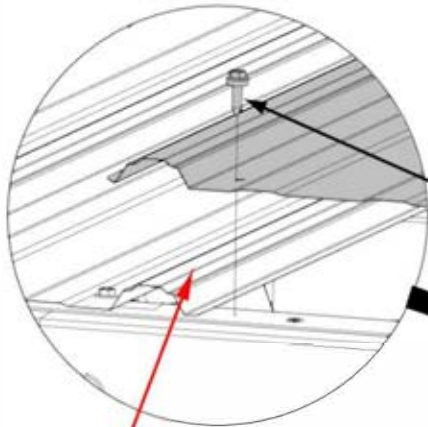
QTY	PART NUMBER	DESCRIPTION
10	H101117	SCEW WOODGRIP 10-16x3/4" BLK



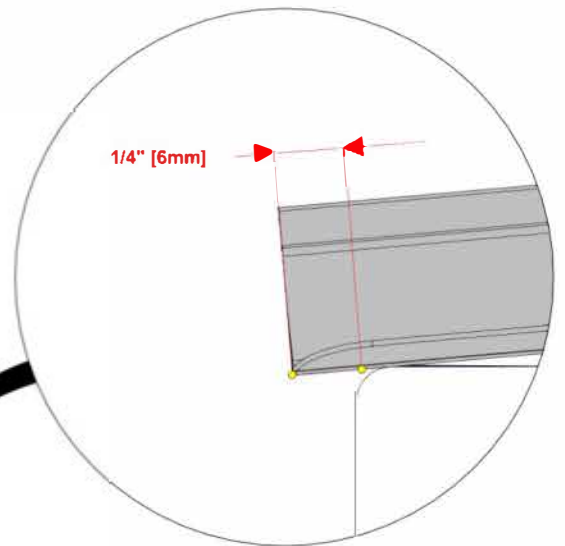
A4M02739 29GA SHEETING  
(x1)

## NOTES:

- ENSURE THAT THE NEXT PLANE OVERHANGS THE BACKSIDE OF THE GAZEBO BY 1/4".
- OVERLAP THE PANEL BY ONE RIB AS SHOWN BELOW.
- ATTACH AND FULLY TIGHTEN ALL SCREW ON EACH PANEL BEFORE ATTACHING THE NEXT PANEL.
- REPEAT ON ALL PANELS.
- DO NOT GET ON THE ROOF TO ATTACH SCREWS.
- DO ATTACH BACK ROW OF SCREWS



117 (x10)  
SCREW 3/4"



1/4" [6mm]

OVERLAP SHEETING  
BY ONE RIB

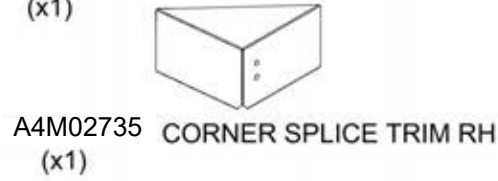
BACK

2739 (x1)  
29GA SHEETING

FRONT

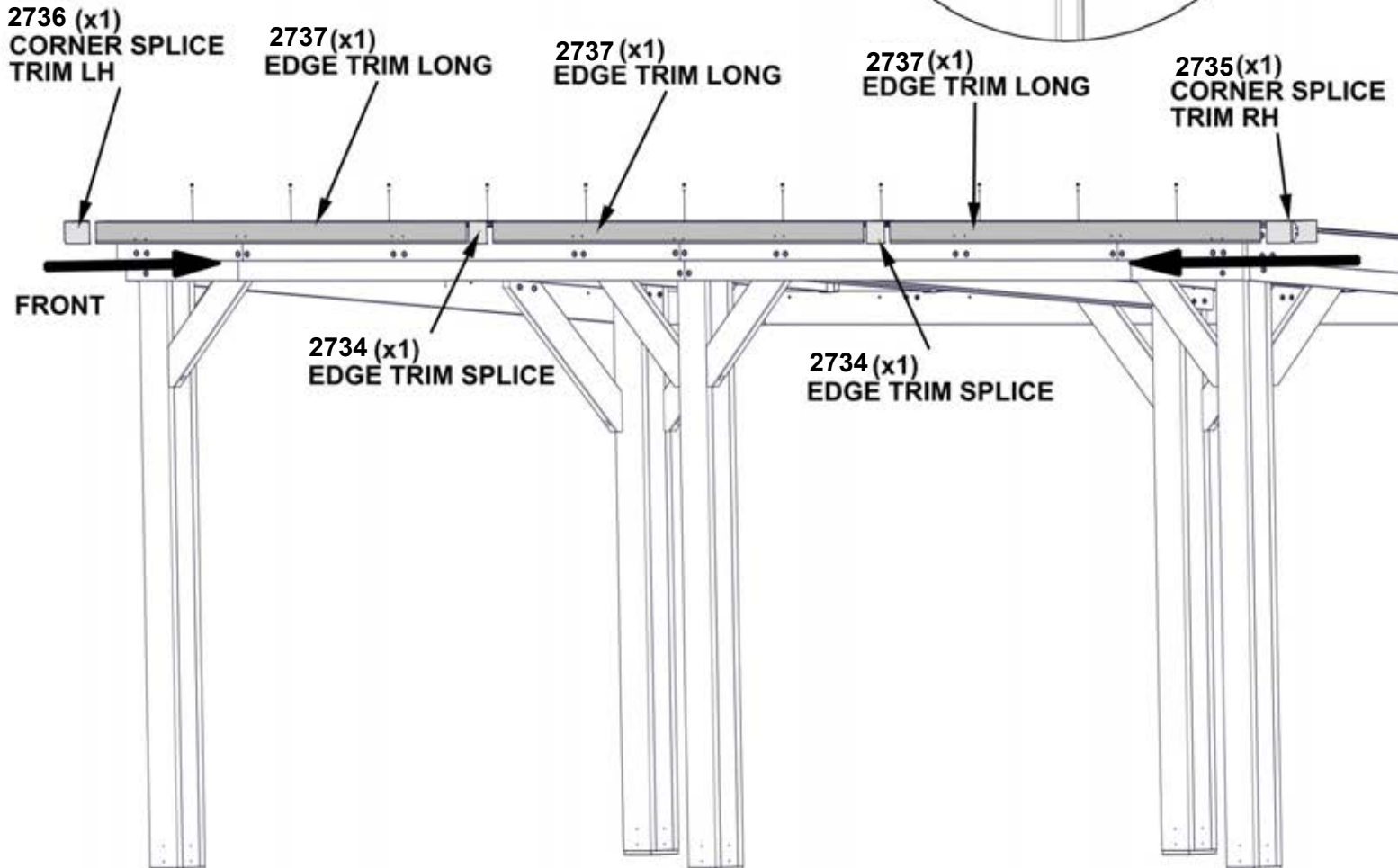
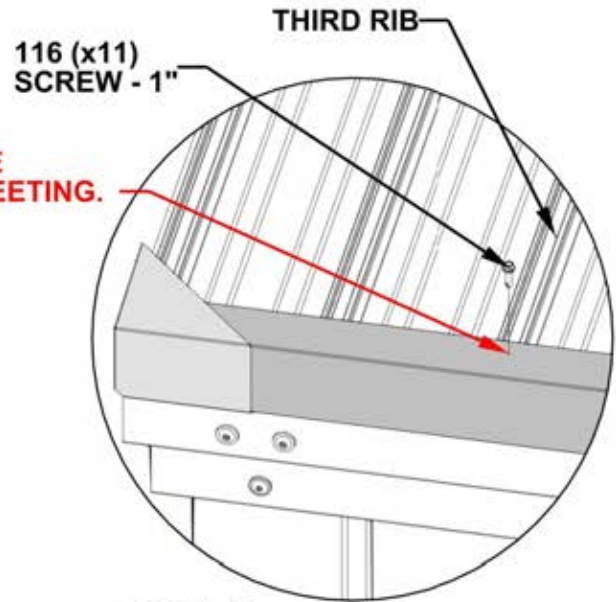
# STEP 35 - GAZEBO ASSEMBLY

Qty	PART NUMBER	DESCRIPTION
11	H101116	SCREW SELF TAPPING 1/4x1 BLK



LAYOUT EDGE TRIM, EDGE TRIM SPLICE AND CORNER SPLICE TRIM AS SHOWN BELOW. SLIDE TRIM PIECES INTO SPLICES. ATTACH CORNER SPLICES BY SLIDING ONTO EDGE TRIM. SCREW AS NOTED IN DETAIL.

**ATTACH THIS SCREW THROUGH THE TRIM AND INTO THE 3RD RIB OF SHEETING. SKIP TWO RIBS AND REPEAT.**





# STEP 36 - GAZEBO ASSEMBLY

QTY	PART NUMBER	DESCRIPTION
12	H10116	SCREW SELF TAPPING 1/4x1 BLK



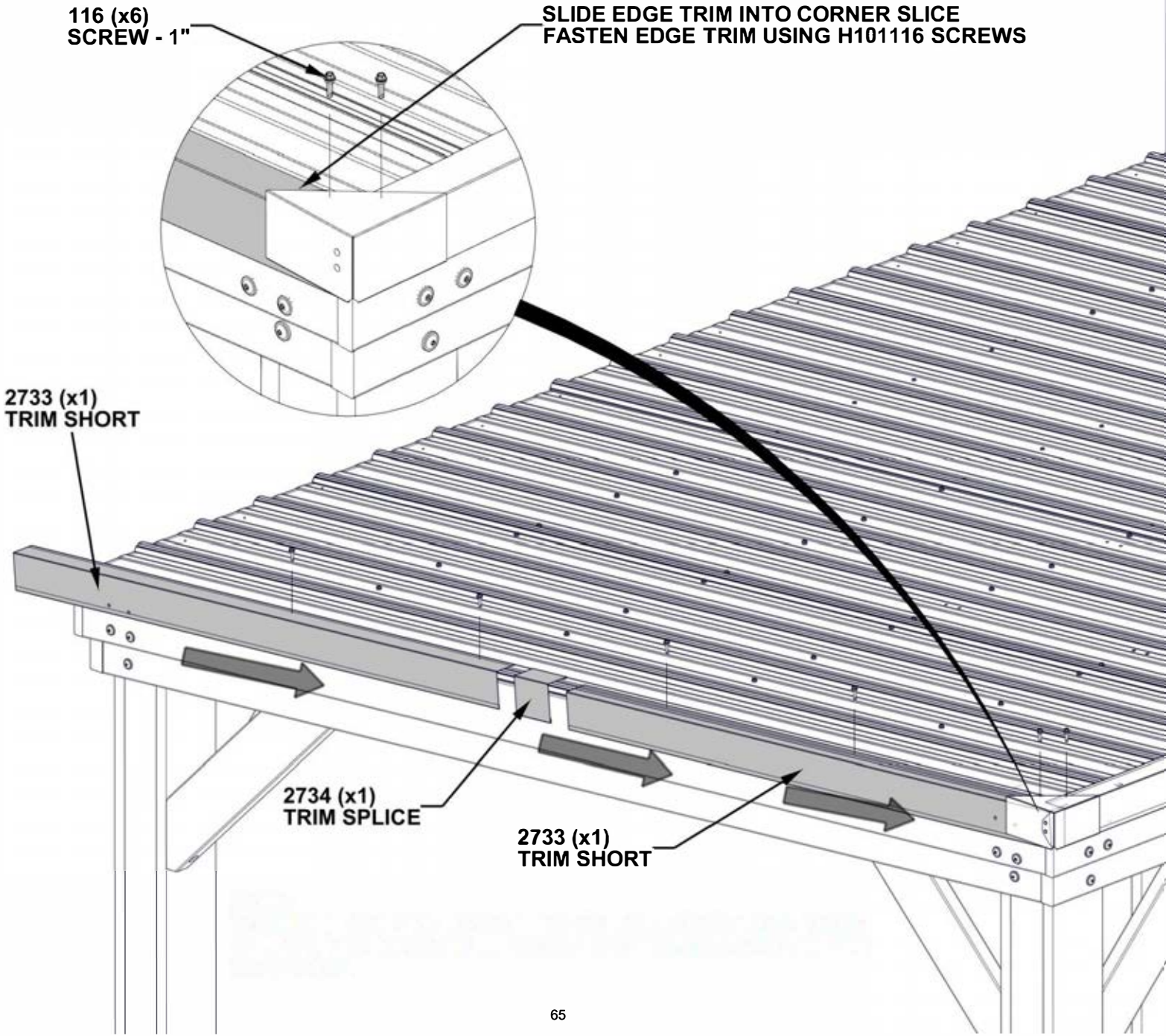
A4M02734 TRIM SPLICE  
(x2)



A4M02733 TRIM SHORT  
(x4)

## NOTES:

- LAY EDGE TRIM ON SIDE OF ROOF AS SHOWN BELOW, SLIDE EACH PIECE INTO ONE ANOTHER. FLUSH LAST PIECE WITH THE REAR EDGE OF SHEETING. SCREWS GO THROUGH EDGE TRIM INTO RIB AT APPROXIMATE LOCATIONS SHOWN.
- REPEAT ON OTHER SIDE.
- DO NOT PUT BACK ROW OF SCREWS IN.





# STEP 37 - GAZEBO ASSEMBLY



A4M02794 DRIP EDGE TRIM  
(x2)

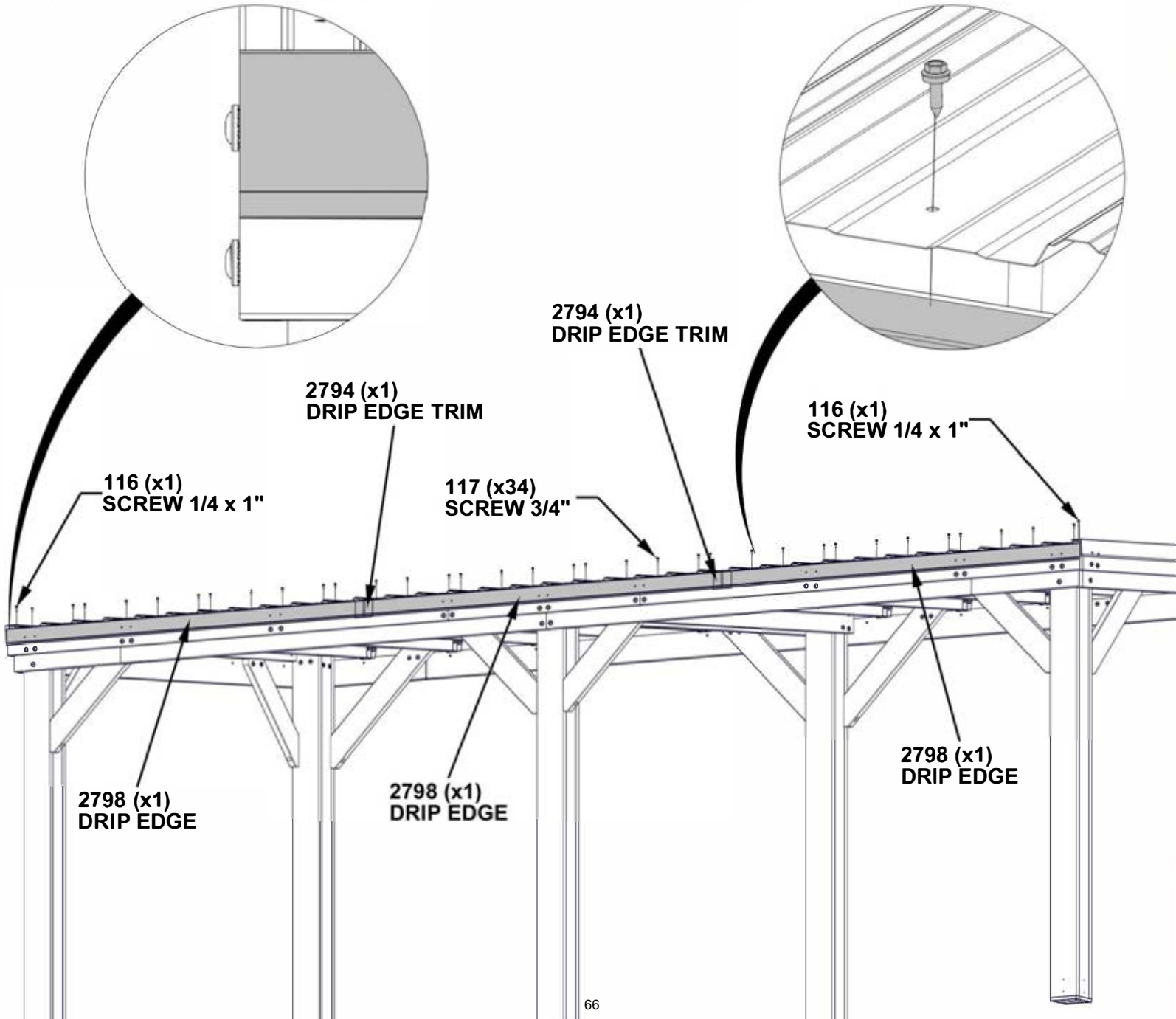
QTY	PART NUMBER	DESCRIPTION
2	H101116	SCREW SELF TAPPING 1/4 x 1 BLK
34	H101117	SCREW WOODGRIP 10 - 16x3/4" BLK



A4M02798 DRIP EDGE  
(x3)

## NOTES:

- DRIP EDGES ARE FLUSH WITH THE EDGES OF THE GAZEBO AS SHOWN.
- GENTLY LIFT ROOF SHEETS TO SLIDE DRIP EDGE UNDER.
- SLIDE EACH PIECE INTO ONE ANOTHER, MAKE SURE LAST PIECE IS FLUSH WITH EDGE.
- DRIP EDGE WILL COVER BOLTS PREVIOUSLY INSTALLED.
- SCREWS GO THROUGH THE HOLES ON THE ROOF SHEETS TO FASTEN DRIP EDGE DOWN.
- 116 SCREW GO THOUGH THE EDGE TRIM AFTER THE DRIP EDGE HAS BEEN FASTENED DOWN.
- 116 SCREWS ARE ON THE EDGES AND IN AN APPROXIMATE LOCATION.



# STEP 38 - GAZEBO ASSEMBLY

Qty	PART NUMBER	DESCRIPTION
48	H100471	LAG SCREW WH 5/16x1 1/2 BLK



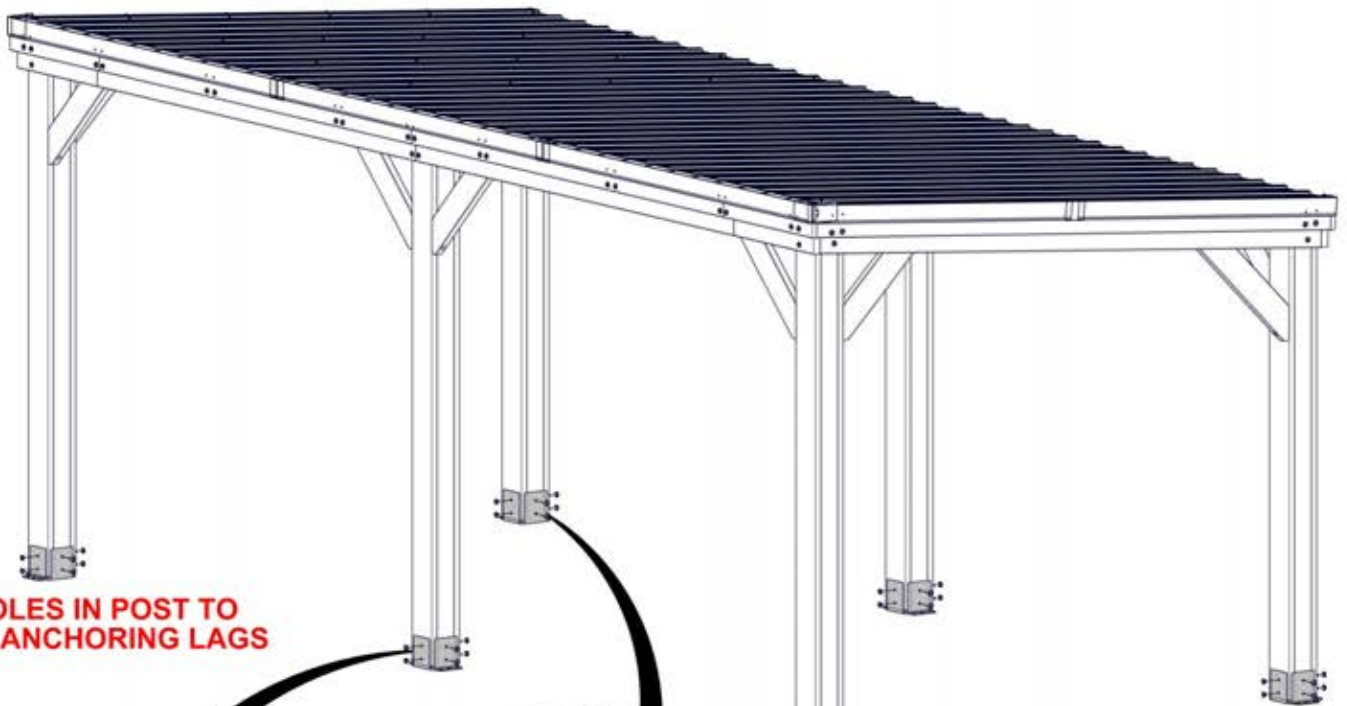
A4M00977 POST ANCHORING PLATE  
(x12)



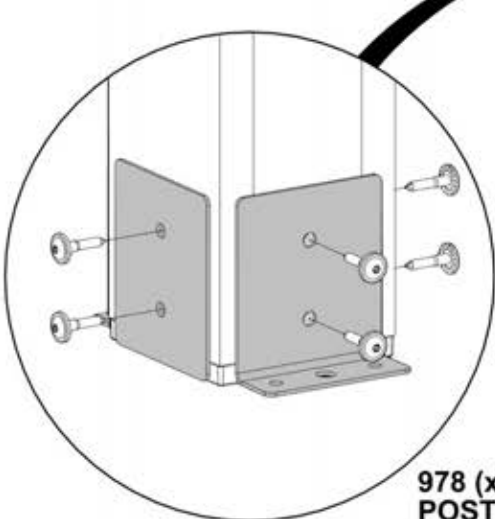
A4M00978 POST PLATE  
(x12)

## NOTES:

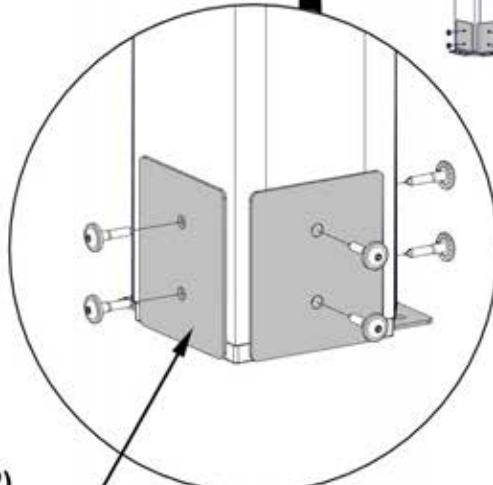
- 977 POST ANCHORING PLATES MOUNT ON OUTSIDE OF POST AS SHOWN EXCEPT THE CENTER POST.
- 978 POST PLATES GO ON INSIDE OF POST AS SHOWN EXCEPT CENTER POST, THESE WILL ALSO BE ON THE FRONT FACE OF POST AS SHOWN IN DETAIL BELOW



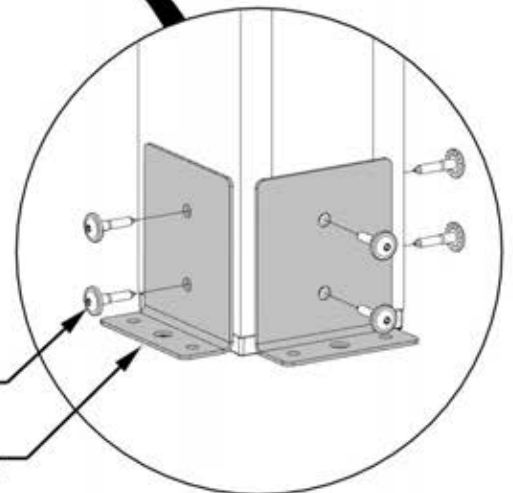
USE PILOT HOLES IN POST TO INSTALL THE ANCHORING LAGS



978 (x12)  
POST PLATE

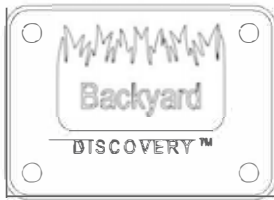


471 (x48)  
LAG SCREW - 1 1/2"



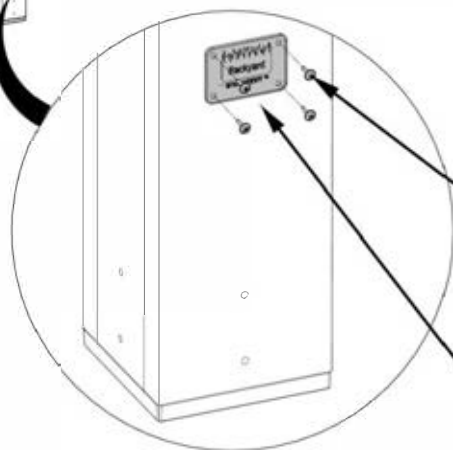
977 (x12)  
POST ANCHORING PLATE

# STEP 39 - GAZEBO ASSEMBLY



A4M02158  
BYD ID TAG PATIO  
(x1)

QTY	PART NUMBER	DESCRIPTION
4	H100202	SCREW PWH 8x5/8 BLK



202 (x4)  
SCREW - 5/8"

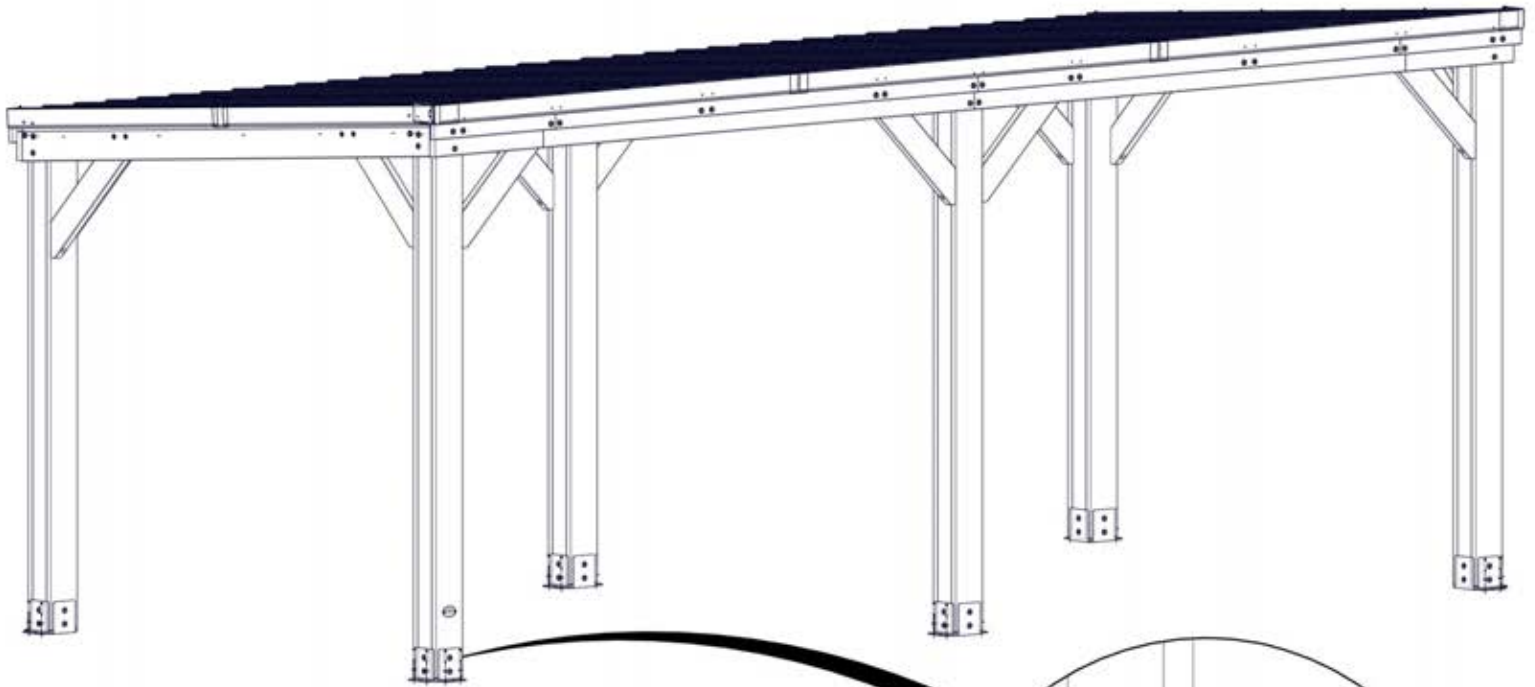
2158 (x1)  
BYD ID TAG PATIO

# STEP 40 - GAZEBO ASSEMBLY

Qty	PART NUMBER	DESCRIPTION
24	H100120	CONCRETE ANCHOR - 2"
24	H100630	WASHER FLAT 8x19 BLK

MANUFACTURER RECOMMENDS INSTALLATION ON CONCRETE SURFACE OR CONCRETE POST PADS AS SHOWN BELOW.

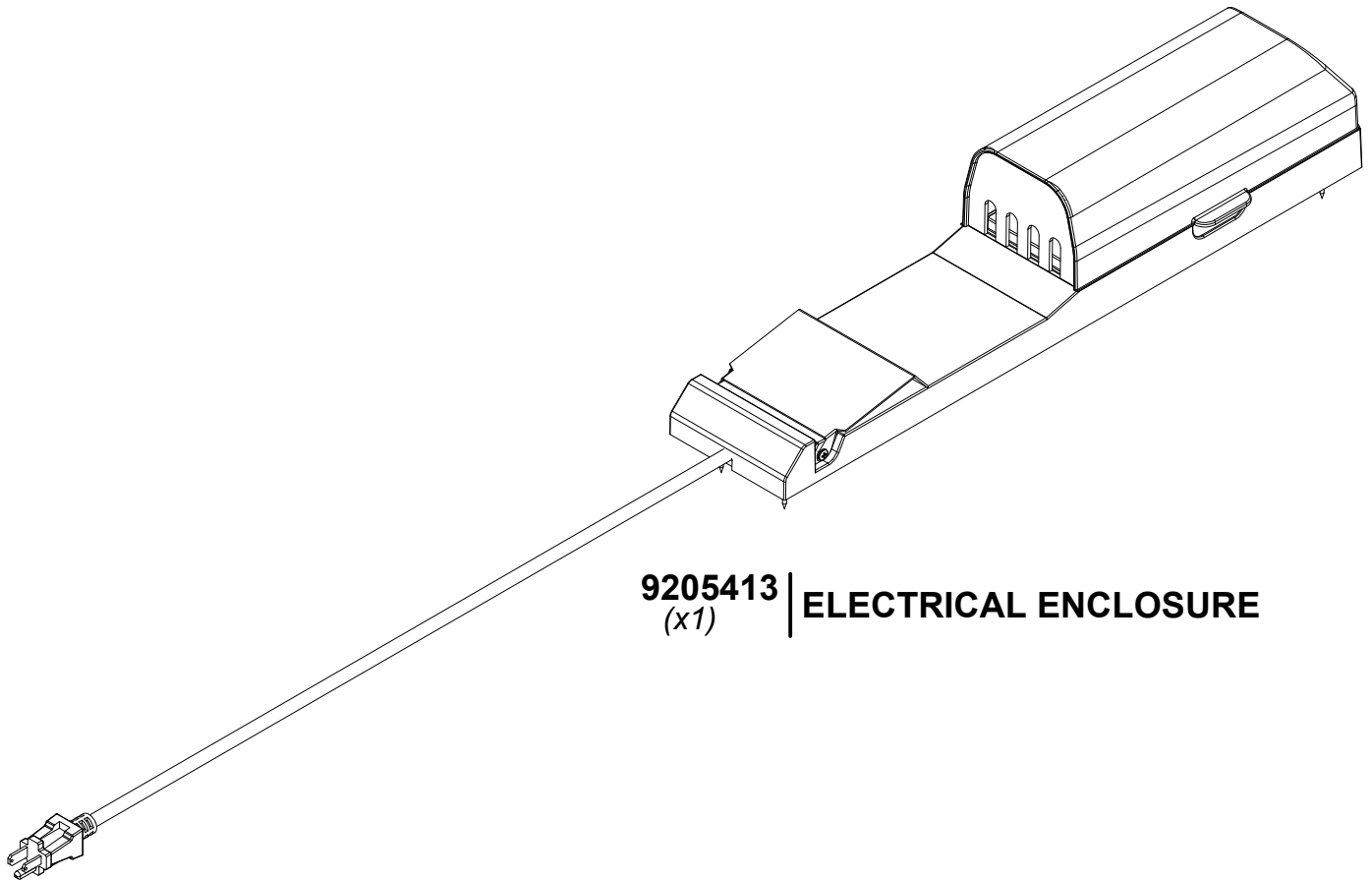
FOR INSTALLATION ON WOOD DECK, YOU MUST ENSURE THERE IS AMPLE STRUCTURAL SUPPORT UNDER THE DECK. HARDWARE NOT INCLUDED FOR DECK ATTACHMENT.



120 (x24)  
CONCRETE ANCHOR - 2"

630 (x24)  
WASHER - 8x19

**PRE-DRILL HOLES FOR CONCRETE ANCHORS  
USING A 3/16" CONCRETE DRILL BIT.**



**9205413** | **ELECTRICAL ENCLOSURE**  
*(x1)*

FOR POWERPORT INSTALLATION REFER TO ASSEMBLY INSTRUCTIONS THAT COME PACKAGED WITH THE POWERPORT KIT. INSTALL ON ANY POST THAT IS DESIRED. FOLLOW DIRECTIONS FOR PROPER INSTALLATION.