



MANUFACTURED BY:
Backyard Discovery
3305 Airport Drive, Pittsburg, KS 66762
800-856-4445

Backyard Discovery Australia Pty Ltd 2/7 Hood Street, Hampton VIC 3188, Phone: 1800-087-941

CANYON CREEK

Swing Set

Model # 2400245

The assembly manual must be retained
since it contains important information



WARNING

Adult Assembly Required.

Not suitable for children under 36 months due to small parts.
FOR DOMESTIC USE ONLY. INTENDED FOR OUTDOOR USE.



Please visit www.backyarddiscovery.com

For the most up to date assembly manual, to register your set, or to order replacement parts

Para obtener instrucciones en español, visite www.backyarddiscovery.com



**EASY STEP-BY-STEP
3D INTERACTIVE INSTRUCTIONS**
DOWNLOAD THE FREE APP



Made in China

INS-2400245-A-CANYON CREEK-AUS 08-20-24

Owner's Manual - Basic Setup Dimensions & Assembly Notes

Place the set on level ground, not less than 6'-7" [2 m] from any structure or obstruction such as a fence, garage, house, overhanging branches, laundry lines, or electrical wires.

- While assembling unit, take time before and after each phase to make sure fort is level. If fort is not level, assembly will be difficult and improper assembly may result. Extra care must be taken to insure the fort is square.
- The safe play area refers to a zone extending 6'-7" (2 m) beyond the play product on all sides, including the space above the play product.

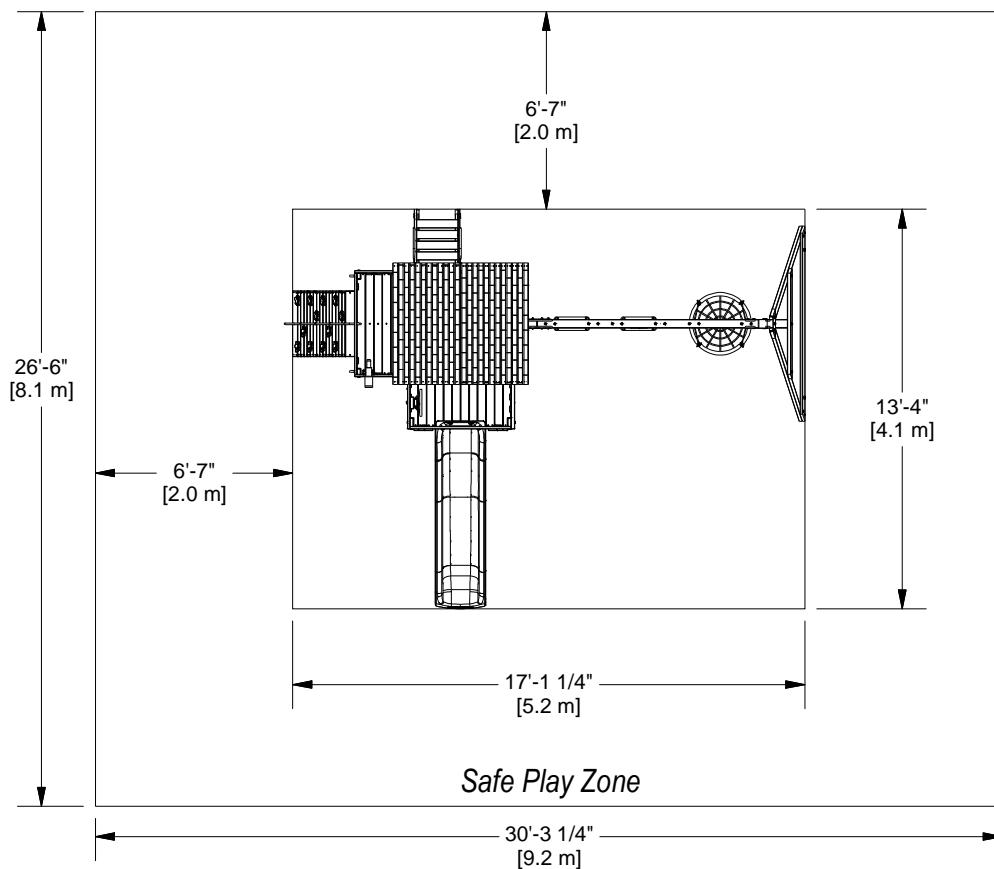
SAFE PLAY AREA DIAGRAM

Ground Dimensions

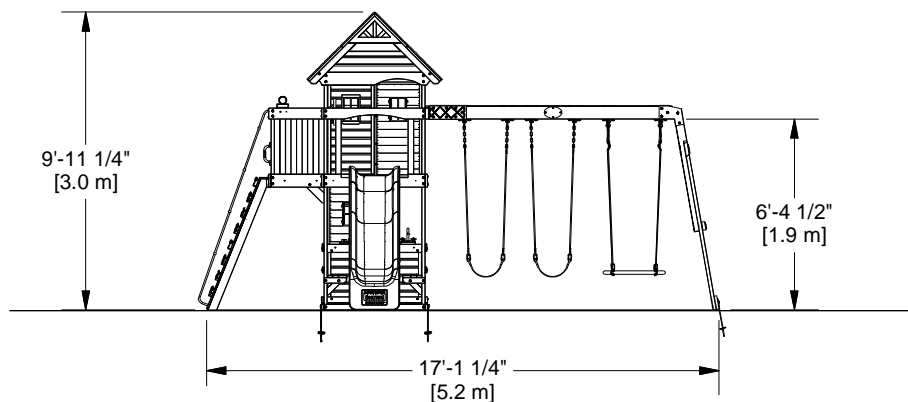
13'-4" [4.1 m] x 17'-1 1/4" [5.2 m]

Safe Play Area

26'-6" [8.1 m] x 30'-3 1/4" [9.2 m] x 16'-6 1/4" [5.0 m]



SAFE PLAY HEIGHT: 16'-6 1/4" [5.0 m]
MAXIMUM FALL HEIGHT: 6'-4 1/2" [1.9 m]



General Information:

Your set has been designed and engineered for children only and for residential use only.
A maximum of 150 lbs. per child is recommended for play activities designed for individual use.
A maximum of 120 lbs. per child is recommended for play activities designed for multiple child use.
A maximum of 9 children is recommended for this swing set.

Owner's Manual - Parts Identification

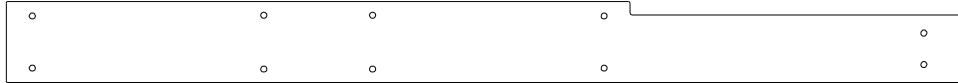
Wood Components (Not to Scale)



A01 SWING BEAM EXTENDED - W4L19029
(x1) 3 3/8"x5 1/4"x89 1/2" (86x134x2274)



A02 SB 9" BLOCK - W4L19078
(x1) 3 3/8"x5 1/4"x9" (86x134x228)



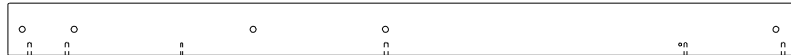
D01 SWING BEAM MOUNT - W4L19076
(x1) 1 3/8"x5 1/4"x62 3/8" (36x134x1585)



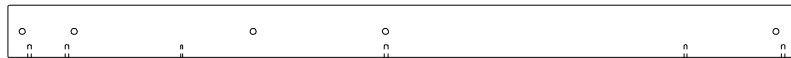
E01 DECK BRACE - W4L19292
(x4) 1 3/8"x3 3/8"x12 1/4" (36x86x311)



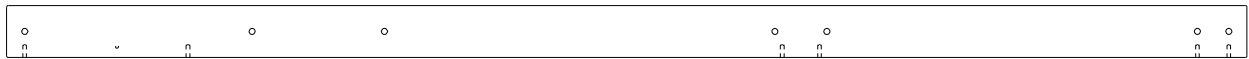
E02 LEFT REAR UPRIGHT - W4L19294
(x1) 1 3/8"x3 3/8"x51 3/4" (36x86x1314)



E03 LEFT FRONT UPRIGHT - W4L19295
(x1) 1 3/8"x3 3/8"x51 3/4" (36x86x1314)



E04 RIGHT FRONT UPRIGHT - W4L19296
(x1) 1 3/8"x3 3/8"x51 3/4" (36x86x1314)



E05 RIGHT FRONT BALCONY UPRIGHT - W4L19297
(x1) 1 3/8"x3 3/8"x80 3/4" (36x86x2052)



E06 LEFT REAR UPRIGHT - W4L19062
(x1) 1 3/8"x3 3/8"x43 1/2" (36x86x1104)



E07 RIGHT REAR UPRIGHT - W4L19299
(x1) 1 3/8"x3 3/8"x43 1/2" (36x86x1104)



E08 LEFT FRONT UPRIGHT - W4L19063
(x1) 1 3/8"x3 3/8"x43 1/2" (36x86x1104)



E09 RIGHT FRONT UPRIGHT - W4L19300
(x1) 1 3/8"x3 3/8"x43 1/2" (36x86x1104)



E10 MOUNTING BLOCK - W4L19097
(x1) 1 3/8"x3"x4 3/4" (36x76x120)



E11 RIGHT FRONT BALCONY UPRIGHT - W4L19298
(x1) 1 3/8"x3 3/8"x80 3/4" (36x86x2052)



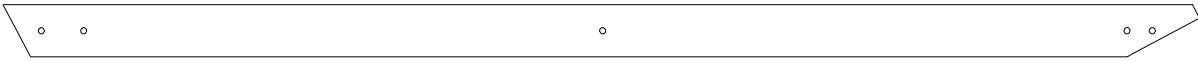
E12 MOUNTING BLOCK - W4L19098
(x1) 1 3/8"x3"x4 3/4" (36x76x120)



E72 RAIL - W4L19305
(x2) 1 3/8"x3 3/8"x57 3/8" (36x86x1457)

Owner's Manual - Parts Identification

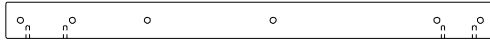
Wood Components (Not to Scale)



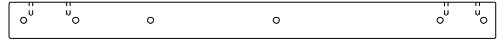
E77 ANGLE BRACE - W4L19025
(x2) 1 3/8"x3 3/8"x78" (36x86x1980)



E79 END SUPPORT - W4L19026
(x1) 1 1/2"x3 1/2"x44" (36x86x1120)



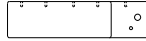
F01 RIGHT BALCONY UPRIGHT - W4L19095
(x1) 1 3/8"x2 3/8"x31 3/4" (36x60x805)



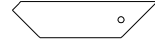
F02 LEFT BALCONY UPRIGHT - W4L19096
(x1) 1 3/8"x2 3/8"x31 3/4" (36x60x805)



F03 SUPPORT BLOCK - W4L19046
(x1) 1 3/8"x2 3/8"x9 1/4" (36x60x234)



F04 SUPPORT BLOCK - W4L19047
(x1) 1 3/8"x2 3/8"x9 1/4" (36x60x234)



F05 ANGLE BRACE - W4L19293
(x2) 1 3/8"x2 3/8"x9 1/2" (36x60x240)



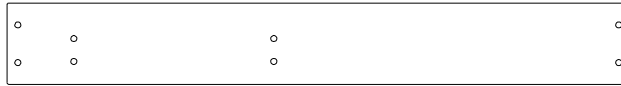
F06 FLOOR JOIST - W4L19040
(x1) 1 3/8"x2"x40 1/2" (36x50x1030)



G02 GROUND BOARD - W4L19064
(x1) 1"x5 1/4"x42 1/4" (24x134x1072)



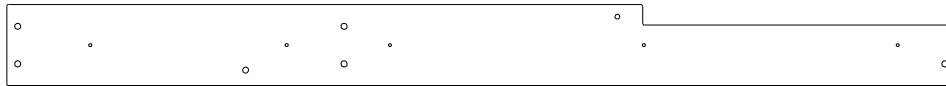
G03 GROUND BOARD - W4L19065
(x1) 1"x5 1/4"x42 1/4" (24x134x1072)



G04 GROUND BOARD - W4L19066
(x1) 1"x5 1/4"x40 1/2" (24x134x1030)



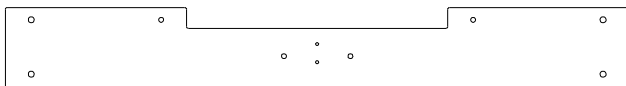
G05 RIGHT CENTER WALL RAIL - W4L19067
(x1) 1"x5 1/4"x63 3/8" (24x134x1609)



G06 FRONT CENTER WALL RAIL - W4L19075
(x1) 1"x5 1/4"x61 3/4" (24x134x1570)



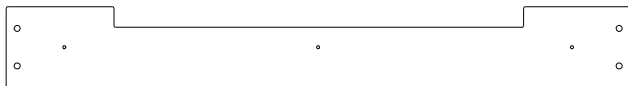
G07 REAR CENTER WALL RAIL - W4L19068
(x1) 1"x5 1/4"x61 3/4" (24x134x1570)



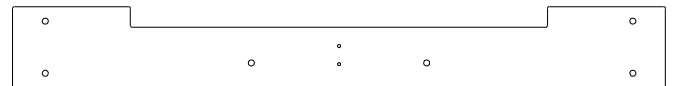
G08 LEFT CENTER WALL RAIL - W4L19061
(x1) 1"x5 1/4"x40 5/8" (24x134x1032)



G09 LEFT BALCONY WALL RAIL - W4L19089
(x1) 1"x5 1/4"x20 3/4" (24x134x528)



G10 FRONT BALCONY WALL RAIL - W4L19090
(x1) 1"x5 1/4"x40 5/8" (24x134x1032)



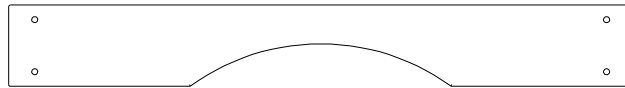
G11 LEFT SIDE WALL BOARD - W4L19069
(x1) 1"x5 1/4"x42 1/2" (24x134x1080)

Owner's Manual - Parts Identification

Wood Components (Not to Scale)



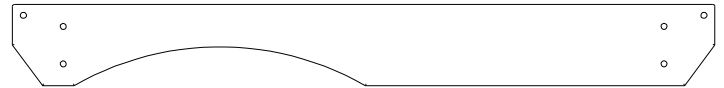
G12 GROUND BOARD - W4L19027
(x1) 1"x5 1/4"x78 1/8" (24x134x1984)



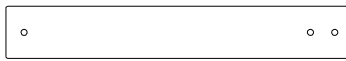
G13 ARCHED WALL RAIL - W4L19071
(x1) 1"x5 1/4"x40 5/8" (24x134x1032)



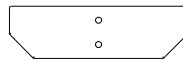
G14 ANGLED WALL RAIL - W4L19072
(x1) 1"x5 1/4"x45 3/4" (24x134x1162)



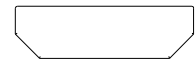
G15 ANGLED WALL RAIL - W4L19073
(x1) 1"x5 1/4"x45 3/4" (24x134x1162)



H01 TABLE SUPPORT - W4L19083
(x1) 1"x3 3/8"x22 3/8" (24x86x567)



H02 TABLE SUPPORT - W4L19302
(x1) 1"x3 3/8"x11 5/8" (24x86x295)



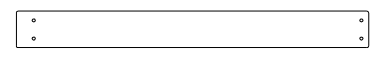
H03 TABLE SUPPORT - W4L19303
(x1) 1"x3 3/8"x11 5/8" (24x86x295)



H05 ATTACHMENT BOARD - W4L19087
(x1) 1"x3 3/8"x18 1/4" (24x86x465)



H06 BENCH BOARD - W4L19048
(x2) 1"x3 3/8"x23" (24x86x583)



H07 BENCH BOARD - W4L19049
(x2) 1"x2 3/8"x23" (24x60x583)



H08 BENCH BOARD - W4L19050
(x2) 1"x3 3/8"x23" (24x86x583)



H09 ATTACHMENT BOARD - W4L19307
(x1) 1"x3 3/8"x26 1/4" (24x86x667)



H76 LADDER RUNG - W4L19035
(x4) 1"x3 3/8"x17 1/4" (24x86x437)



H77 LEFT UPRIGHT - W4L19085
(x1) 1"x3 3/8"x58" (24x86x1474)



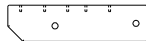
H78 RIGHT UPRIGHT - W4L19086
(x1) 1"x3 3/8"x58" (24x86x1474)



J01 PORCH GROUND BOARD - W4L19079
(x1) 1"x2 3/8"x40 1/2" (24x60x1030)



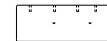
J02 PORCH GROUND BOARD - W4L19080
(x1) 1"x2 3/8"x40 5/8" (24x60x1032)



J03 BENCH SUPPORT - W4L19301
(x2) 1"x2 3/8"x9" (24x60x230)



J05 SUPPORT BLOCK - W4L19304
(x2) 1"x2 3/8"x2 7/8" (24x60x72)



J06 SUPPORT BLOCK - W4L19099
(x1) 1"x2 3/8"x6 1/4" (24x60x160)



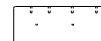
J07 SUPPORT BLOCK - W4L19084
(x1) 1"x2 3/8"x3 3/8" (24x60x86)



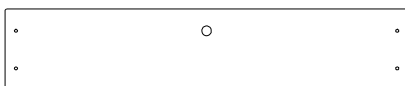
J09 FLOOR JOIST - W4L19057
(x1) 1"x2 3/8"x20 1/4" (24x60x515)



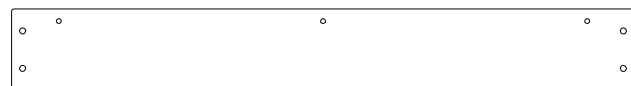
J10 PORCH GROUND BOARD - W4L19091
(x2) 1"x2 3/8"x21 1/8" (24x60x537)



J11 SUPPORT BLOCK - W4L19100
(x1) 1"x2 3/8"x6 1/4" (24x60x160)



K01 ROCK WALL BOARD - W4L19033
(x1) 5/8"x5 1/4"x26 1/4" (16x134x667)



K04 GROUND BOARD - W4L19070
(x1) 5/8"x5 1/4"x40 1/2" (16x134x1030)

Owner's Manual - Parts Identification

Wood Components (Not to Scale)



K12 ARCHED WALL RAIL - W4L19082
(x1) 5/8"x5 1/4"x40 5/8" (16x134x1032)



K16 TABLE BOARD - W4L19060
(x1) 5/8"x5 1/4"x23" (16x134x583)



K17 FLOOR BOARD - W4L19053
(x2) 5/8"x5 1/4"x21 1/8" (16x134x537)



L05 FLOOR BOARD - W4L19054
(x1) 5/8"x4 1/8"x19 1/4" (16x104x488)



M01 WALL RAIL - W4L19074
(x1) 5/8"x3 3/8"x40 1/2" (16x86x1030)



M03 BENCH BOARD - W4L19059
(x2) 5/8"x3 3/8"x23" (16x86x583)



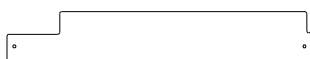
M04 FLOOR BOARD - W4L19036
(x8) 5/8"x3 3/8"x21 1/8" (16x86x537)



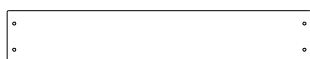
M06 COUNTER TOP - W4L19041
(x1) 5/8"x3 3/8"x37 5/8" (16x86x957)



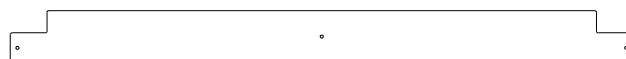
M07 COUNTER TOP - W4L19042
(x2) 5/8"x3 3/8"x38 5/8" (16x86x981)



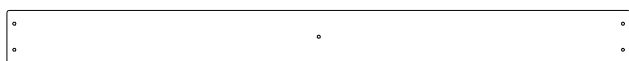
M08 FLOOR BOARD - W4L19056
(x1) 5/8"x3 1/4"x19 7/8" (16x82x504)



M09 FLOOR BOARD - W4L19051
(x10) 5/8"x3 3/8"x19 7/8" (16x86x504)



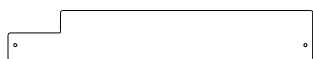
M10 FLOOR BOARD - W4L19043
(x1) 5/8"x3 3/8"x40 5/8" (16x86x1031)



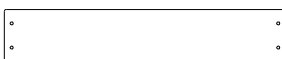
M11 FLOOR BOARD - W4L19052
(x15) 5/8"x3 3/8"x40 5/8" (16x86x1031)



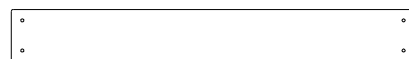
M12 FLOOR BOARD - W4L19058
(x2) 5/8"x3 1/4"x40 5/8" (16x82x1031)



M13 FLOOR BOARD - W4L19055
(x1) 5/8"x3 1/4"x19 7/8" (16x82x504)



M73 REAR SUPPORT - W4L19034
(x1) 5/8"x3 3/8"x18 1/4" (16x86x465)



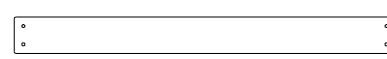
M74 ROCK WALL BOARD - W4L19030
(x7) 5/8"x3 3/8"x26 1/4" (16x86x667)



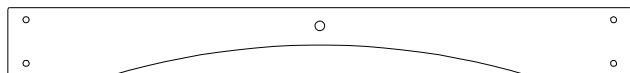
M75 ROCK WALL BOARD - W4L19031
(x4) 5/8"x3 3/8"x26 1/4" (16x86x667)



M76 ROCK WALL BOARD - W4L19032
(x4) 5/8"x3 3/8"x26 1/4" (16x86x667)



N02 PICKET - W4L19044
(x18) 5/8"x2 3/8"x24 3/4" (16x60x628)



Q01 ARCHED WALL RAIL - W4L19081
(x1) 1"x4 3/8"x40 5/8" (24x112x1032)



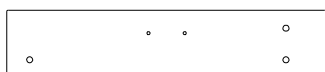
Q02 GROUND BOARD - W4L19088
(x2) 1"x4 3/8"x24 3/8" (24x112x620)



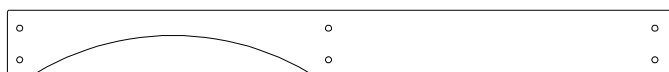
Q03 ARCHED WALL RAIL - W4L19092
(x1) 1"x4 3/8"x40 5/8" (24x112x1032)



Q04 WALL RAIL - W4L19093
(x1) 1"x4 3/8"x23 5/8" (24x112x600)



Q05 WALL RAIL - W4L19094
(x1) 1"x4 3/8"x20 7/8" (24x112x529)



Q06 ARCHED WALL RAIL - W4L19077
(x1) 1"x4 3/8"x43 7/8" (24x112x1113)

Owner's Manual - Parts Identification

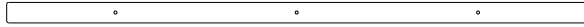
Wood Components (Not to Scale)



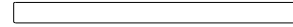
SP71 SWING BEAM SUPPORT - W4L19028
(x1) 3 3/8"x3 3/8"x49 1/2" (86x86x1256)



T01 SUPPORT BOARD - W4L19037
(x3) 1"x1 3/8"x37 5/8" (24x34x957)



T02 SUPPORT BOARD - W4L19038
(x1) 1"x1 3/8"x37 3/4" (24x34x959)



T03 SUPPORT BOARD - W4L19039
(x2) 1"x1 3/8"x18 3/4" (24x34x477)



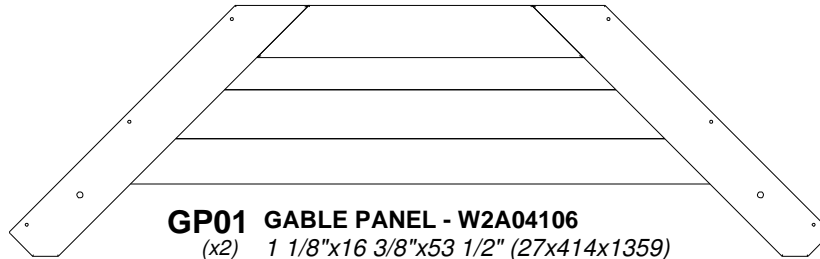
T04 SUPPORT BOARD - W4L19045
(x1) 1"x1 3/8"x37 3/4" (24x34x958)



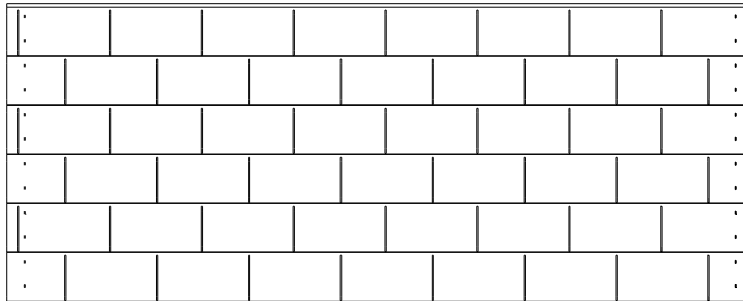
Y01 TOP BOARD - W4L19306
(x1) 5/8"x3 3/4"x26 1/4" (16x94x667)



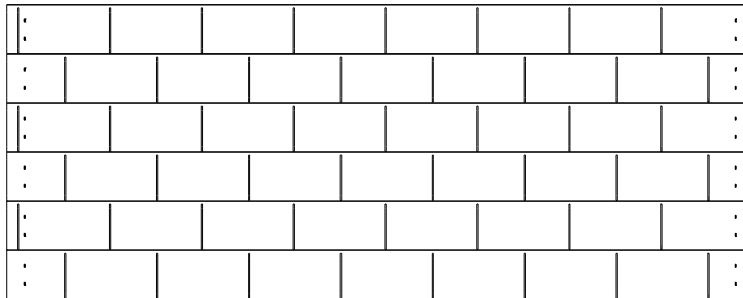
E13 RIGHT REAR UPRIGHT ASSEMBLY - W2A04116
(x1) 1 3/8"x3 3/8"x51 3/4" (36x86x1314)



GP01 GABLE PANEL - W2A04106
(x2) 1 1/8"x16 3/8"x53 1/2" (27x414x1359)



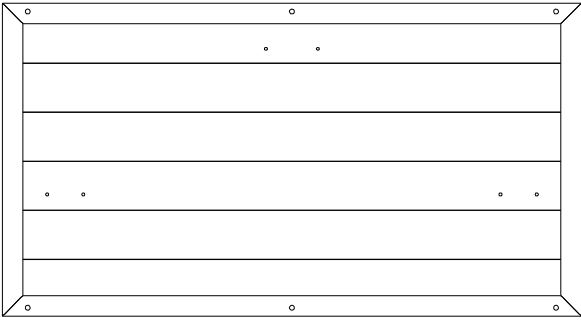
RP1 LOWER ROOF PANEL - W2A04114
(x2) 1 3/8"x19 3/8"x48 5/8" (35x491x1236)



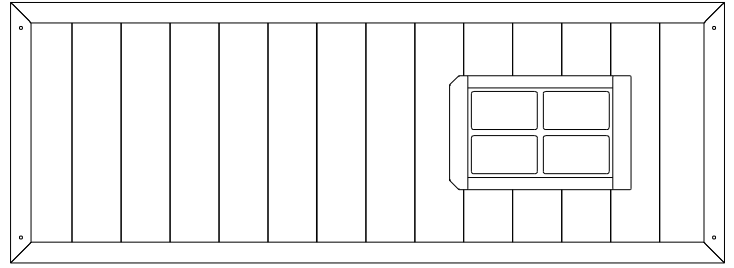
RP2 TOP ROOF PANEL - W2A04115
(x2) 1 3/8"x19 1/8"x48 5/8" (35x486x1236)

Owner's Manual - Parts Identification

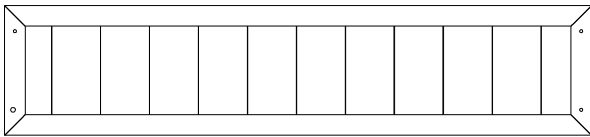
Wood Components (Not to Scale)



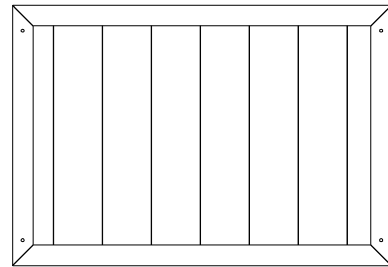
WP01 WALL PANEL - W2A04102
(x1) 1"x20 3/8"x37 3/4" (24x517x958)



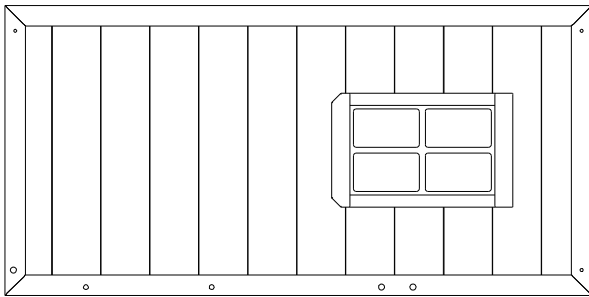
WP02 WALL PANEL - W2A04103
(x1) 1"x16 7/8"x46 1/2" (24x430x1181)



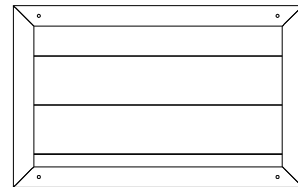
WP03 WALL PANEL - W2A04110
(x1) 1"x18 7/8"x11 3/4" (24x214x971)



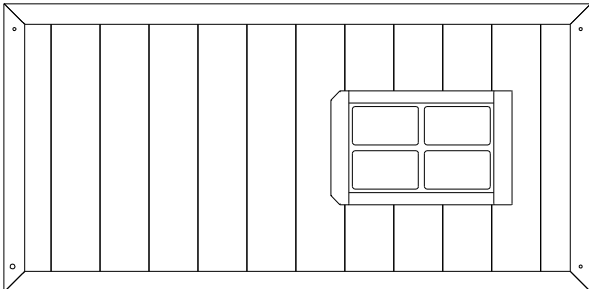
WP04 WALL PANEL - W2A04108
(x2) 1"x16 7/8"x24 5/8" (24x430x627)



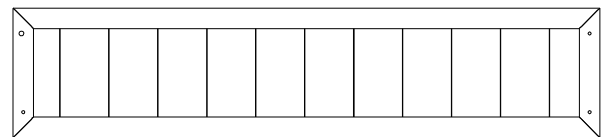
WP05 WALL PANEL - W2A04109
(x1) 1"x16 7/8"x46 1/2" (24x479x971)



WP06 WALL PANEL - W2A04104
(x1) 1"x11 3/4"x18 7/8" (24x300x479)



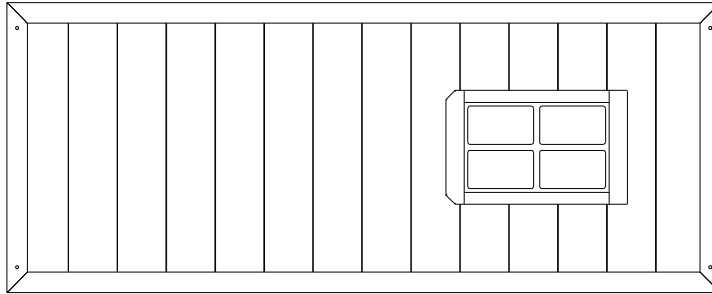
WP07 WALL PANEL - W2A04107
(x1) 1"x16 7/8"x46 1/2" (24x476x971)



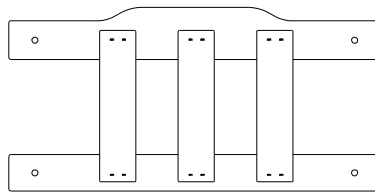
WP08 WALL PANEL - W2A04111
(x1) 1"x18 7/8"x11 3/4" (24x214x971)

Owner's Manual - Parts Identification

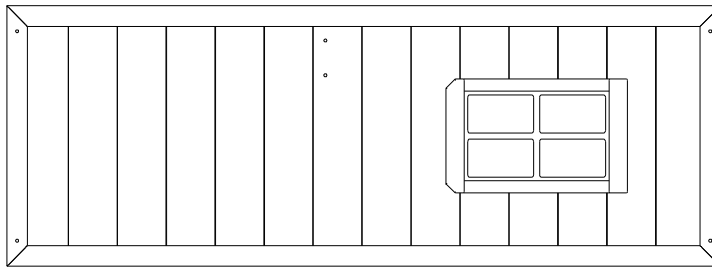
Wood Components (Not to Scale)



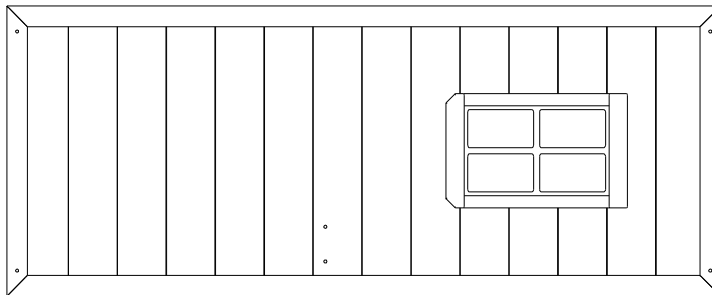
WP09 WALL PANEL - W2A04105
(x1) 1"x16 7/8"x46 1/2" (24x479x1181)



WP10 BENCH BACK ASSEMBLY - W2A04101
(x2) 1 1/8"x11 7/8"x24 1/4" (27x303x615)



WP11 WALL PANEL - W2A04112
(x1) 1"x16 7/8"x46 1/2" (24x430x1181)



WP12 WALL PANEL - W2A04113
(x1) 1"x16 7/8"x46 1/2" (24x479x1181)

Owner's Manual - Parts Identification

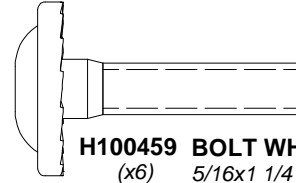
Hardware Components



H101170 BOLT HEX BLK
(x12) 3/8x5 3/4



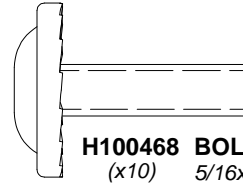
H100498 BOLT HEX - BLK
(x4) 5/16x1 1/2



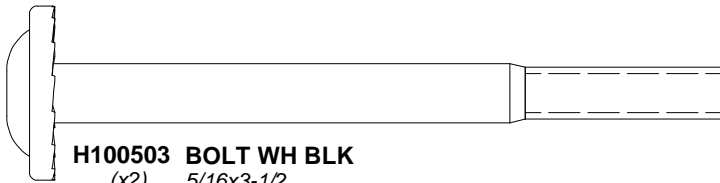
H100459 BOLT WH BLK
(x6) 5/16x1 1/4



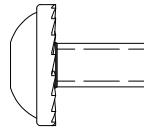
H100480 BOLT WH BLK
(x2) 5/16x4 3/4



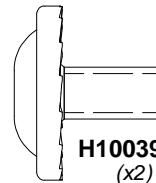
H100468 BOLT WH BLK
(x10) 5/16x1



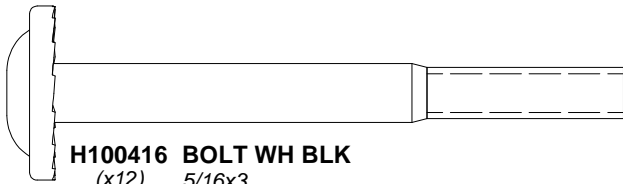
H100503 BOLT WH BLK
(x2) 5/16x3-1/2



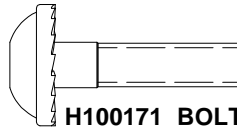
H100401 BOLT WH BLK
(x1) 1/4x1/2



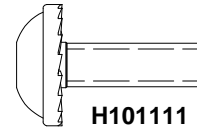
H100396 BOLT WH BLK
(x2) 5/16x1/2



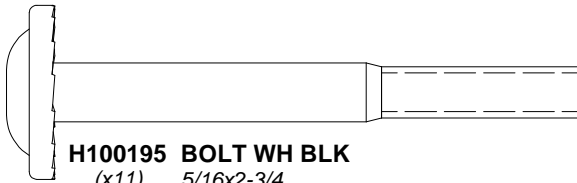
H100416 BOLT WH BLK
(x12) 5/16x3



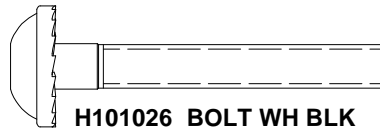
H100171 BOLT WH BLK
(x6) 1/4x1



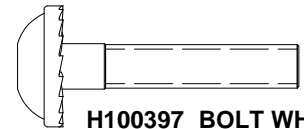
H101111 BOLT WH BLK
(x24) 1/4x3/4



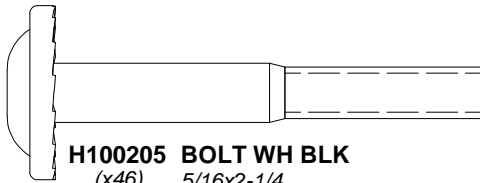
H100195 BOLT WH BLK
(x11) 5/16x2-3/4



H101026 BOLT WH BLK
(x8) 1/4x1-3/4



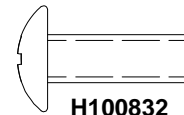
H100397 BOLT WH BLK
(x2) 1/4x1 1/4



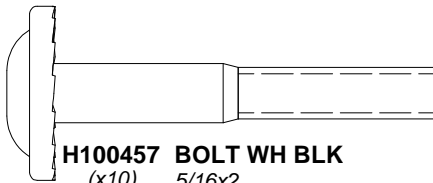
H100205 BOLT WH BLK
(x46) 5/16x2-1/4



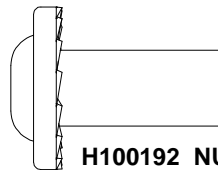
H100831 NUT BARREL PTH BLK
(x4) 1/4x3/4



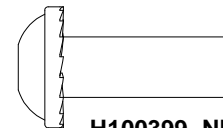
H100832 BOLT PTH BLK (with LOCTITE)
(x4) 1/4x3/4



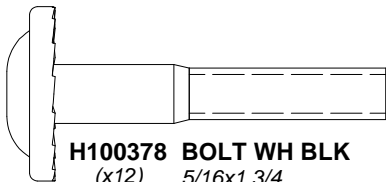
H100457 BOLT WH BLK
(x10) 5/16x2



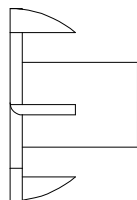
H100192 NUT BARREL WH BLK
(x14) 5/16x7/8



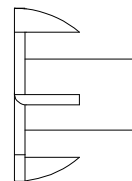
H100399 NUT BARREL WH BLK
(x1) 1/4x7/8



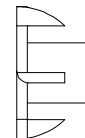
H100378 BOLT WH BLK
(x12) 5/16x1 3/4



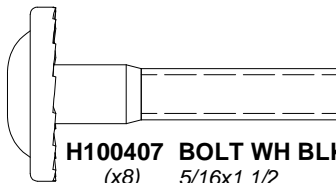
H101168 T-NUT BLK
(x12) 3/8



H100379 T-NUT BLK
(x111) 5/16



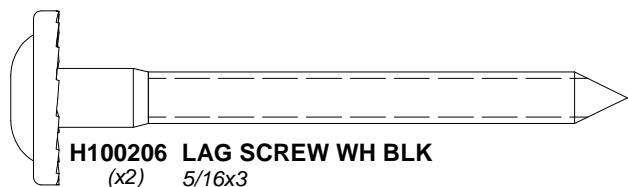
H100398 T-NUT BLK
(x46) 1/4



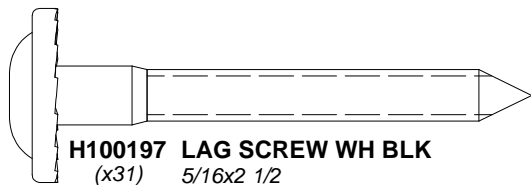
H100407 BOLT WH BLK
(x8) 5/16x1 1/2

Owner's Manual - Parts Identification

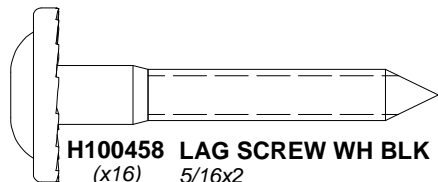
Hardware Components



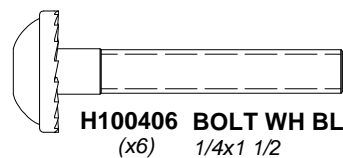
H100206 LAG SCREW WH BLK
(x2) 5/16x3



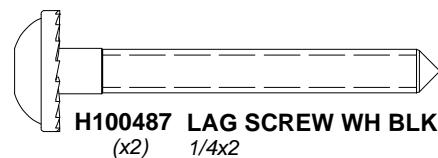
H100197 LAG SCREW WH BLK
(x31) 5/16x2 1/2



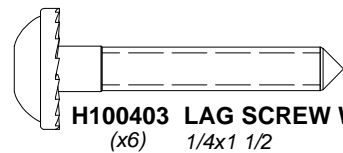
H100458 LAG SCREW WH BLK
(x16) 5/16x2



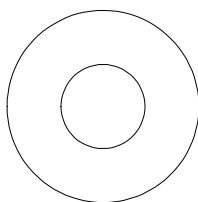
H100406 BOLT WH BLK
(x6) 1/4x1 1/2



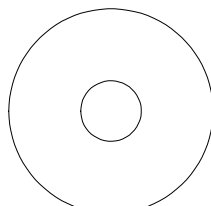
H100487 LAG SCREW WH BLK
(x2) 1/4x2



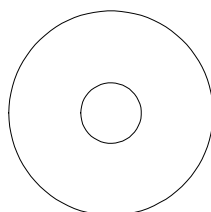
H100403 LAG SCREW WH BLK
(x6) 1/4x1 1/2



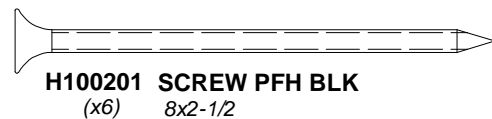
H101167 WASHER FLAT BLK
(x12) 11x25



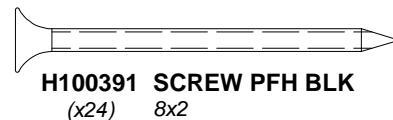
H100105 WASHER FLAT
(x3) 8x27



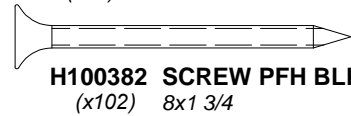
H100478 WASHER FLAT BLK
(x4) 8x27



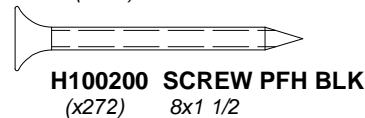
H100201 SCREW PFH BLK
(x6) 8x2-1/2



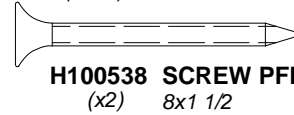
H100391 SCREW PFH BLK
(x24) 8x2



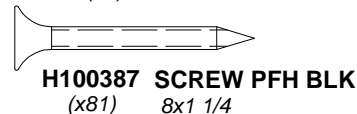
H100382 SCREW PFH BLK
(x102) 8x1 3/4



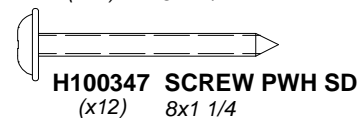
H100200 SCREW PFH BLK
(x272) 8x1 1/2



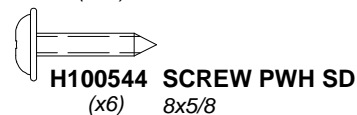
H100538 SCREW PFH SD
(x2) 8x1 1/2



H100387 SCREW PFH BLK
(x81) 8x1 1/4



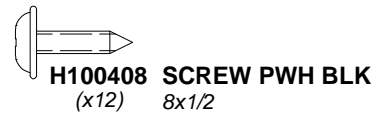
H100347 SCREW PWH SD
(x12) 8x1 1/4



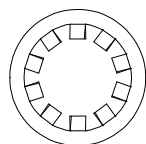
H100544 SCREW PWH SD
(x6) 8x5/8



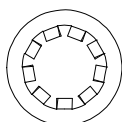
H100202 SCREW PWH BLK
(x12) 8x5/8



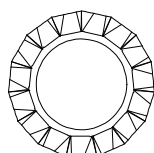
H100408 SCREW PWH BLK
(x12) 8x1/2



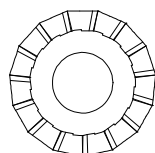
H101166 WASHER LOCK INT BLK
(x12) 10x18



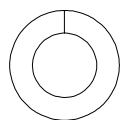
H100473 WASHER LOCK INT BLK
(x24) 8x15



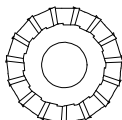
H100199 WASHER LOCK EXT BLK
(x2) 12x19



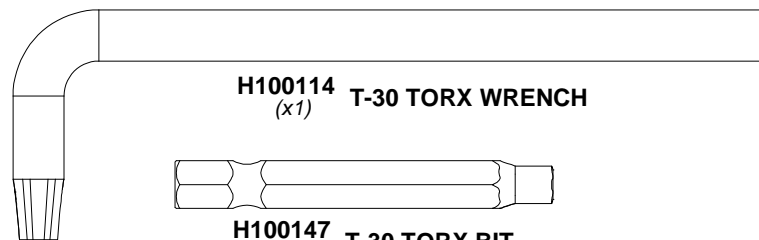
H100198 WASHER LOCK EXT BLK
(x132) 8x19



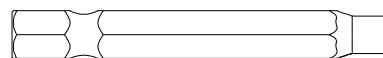
H100477 WASHER SPLIT BLK
(x4) 5/16



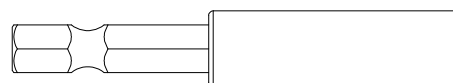
H100405 WASHER LOCK EXT BLK
(x24) 6x15



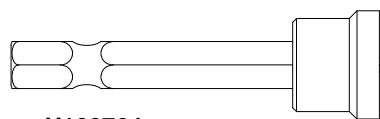
H100114 T-30 TORX WRENCH
(x1)



H100147 T-30 TORX BIT
(x1)



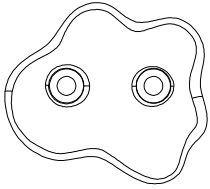
H101100 MAGNETIC DRIVER
(x1)



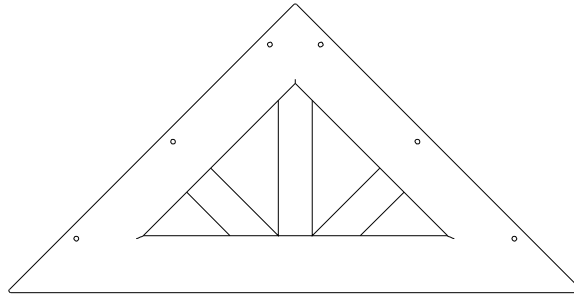
H100764 SCREW SETTER
(x1)

Owner's Manual - Parts Identification

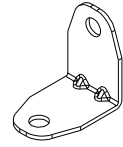
Accessory Components (Not to Scale)



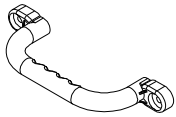
A6P00592 GREY HC ROCK #1
(x12)



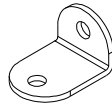
A6P00836 PLASTIC SUNBURST
(x2)



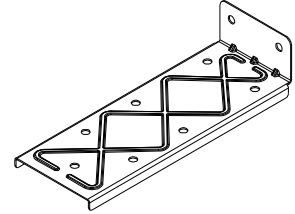
A4M01047 L BRACKET
(x2) 2.5x38x55x55



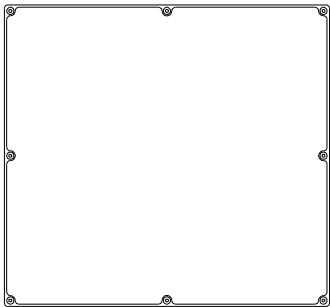
A6P00654 HAND GRIP GREY PLASTIC
(x4)



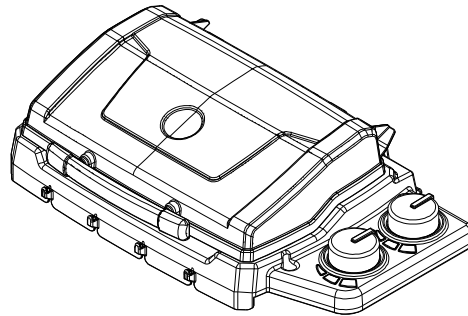
A4M00710 L BRACKET BLACK 32x51
(x2)



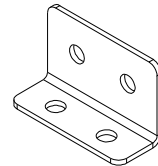
A4M01679 EXTENDED SWING BEAM BRACKET
(x2)



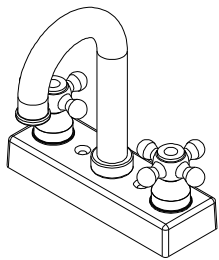
A6P00324 CHALK BOARD LARGE
(x1)



A6P00282 BBQ GRILL
(x1)



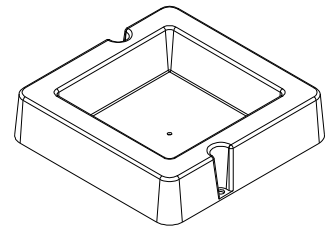
A4M00855 L BRACKET 32x51x82
(x2)



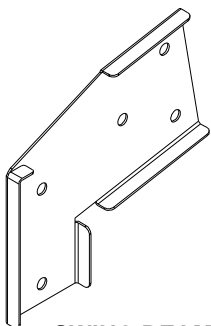
A6P00024 FAUCET KIT
(x1)



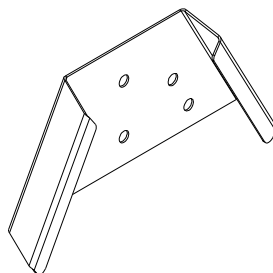
141154 GRILL FOOD SET
(x1)



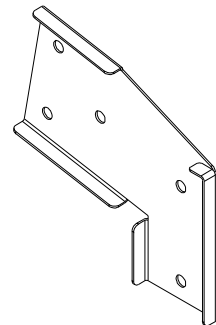
A6P00032 SURFACE MOUNT BASIN
(x1)



A4M00617 SWING BEAM EXTENSION BRACKET-LEFT
(x1)



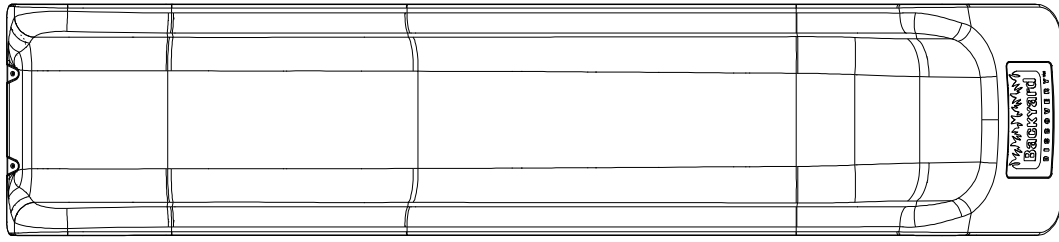
A4M01782 A-FRAME BRACKET
(x1)



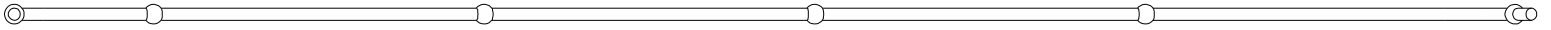
A4M00618 SWING BEAM EXTENSION BRACKET-RIGHT
(x1)

Owner's Manual - Parts Identification

Accessory Components (Not to Scale)



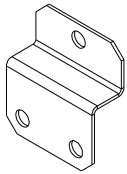
A6P00554
(x1) **8' BLOW MOLDED SLIDE - GREY**



A6P00537
(x1) **CLIMBING ROPE**



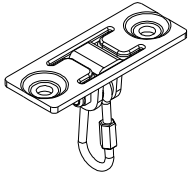
A6P00708
(x4) **ROPE-CHAIN BLACK 51.25"**



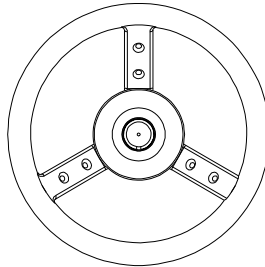
A4M02676
(x4) **BRACKET**



A4M02689
(x2) **HAND GRIP GREY 750 C/C**



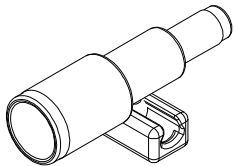
A4M02171
(x6) **SWING HANGER**



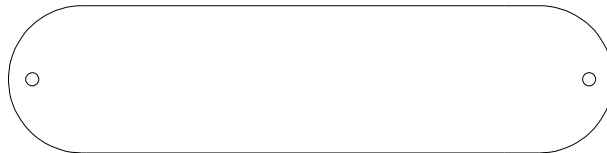
A6P00618
(x1) **STEERING WHEEL**



A4M01415
(x1) **26" WEB SWING**



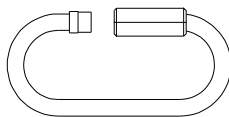
A6P00596
(x1) **TELESCOPE**



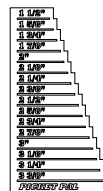
A6P00595
(x2) **SWING SEAT GREY 22"**



A100164
(x1) **BYD ID TAG (LARGE) AGES 3-10**



A4M00633
(x4) **QUICK LINK BLK**



A6P00410
(x1) **PICKET PAL**



A4M02252
(x6) **AUGER GROUND STAKE**

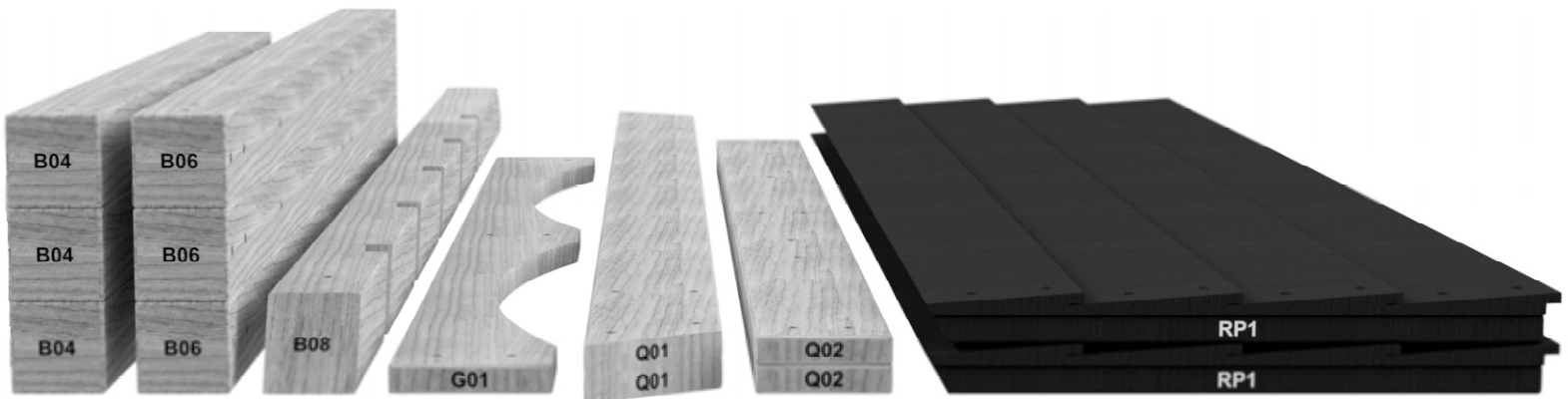
PRE-ASSEMBLY STEP 1 - SORTING PARTS

It is critical for ease of assembly that you take the time to sort and organize the wood and hardware.

WOOD PARTS:

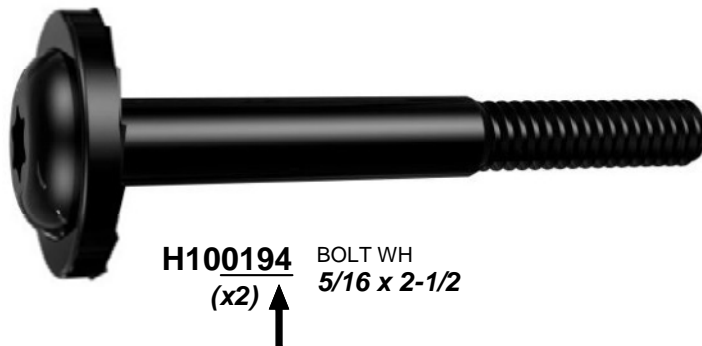
- Organize wood parts by the three-digit, alpha-numeric number stamped on each board (ex. P01).
- If there are multiple boards with the same stamped number, stack those pieces together.
- Stamps can be found on the flat surface of the boards or on the end of the boards.
- Allow yourself plenty of room - the wood pieces can take up a significant amount of space.

NOTE: CARTONS ARE NOT ORGANIZED BY BOARD NUMBER.



HARDWARE PARTS:

- We recommend that you have a separate table to organize the hardware.
- Hardware bags are printed with a seven-digit, alpha-numeric part number.
- You can organize your hardware by part number or group by hardware type (i.e. bolts, nuts, etc.).
- During assembly you only need to reference the last four digits of the number.



PRE-ASSEMBLY STEP 2 - TOOLS REQUIRED



Cordless Drill or
Electric Drill



Drill Attachments:
Phillips Head



1/8", 3/16", 3/8" & 7/16" Drill Bits



Phillips Screw Driver



Open End Wrenches 1/2" & 9/16"



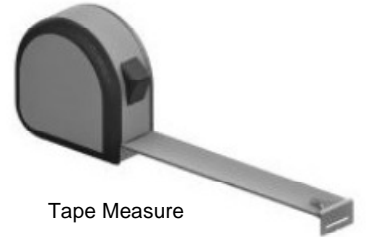
3/8" Drive Ratchet, 1/2" &
9/16" STD Sockets 1/2" & 9/16" Deep Sockets



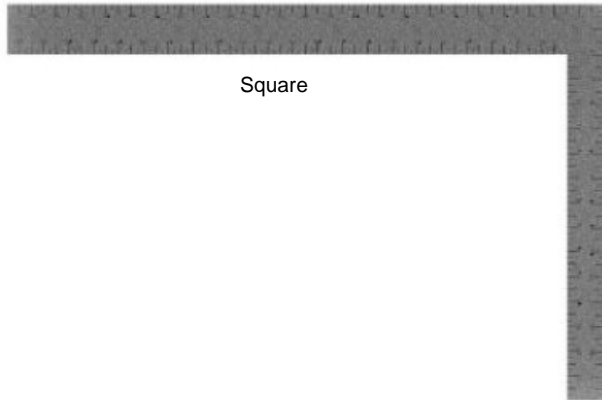
Claw Hammer



Rubber Mallet - Optional



Tape Measure



Square


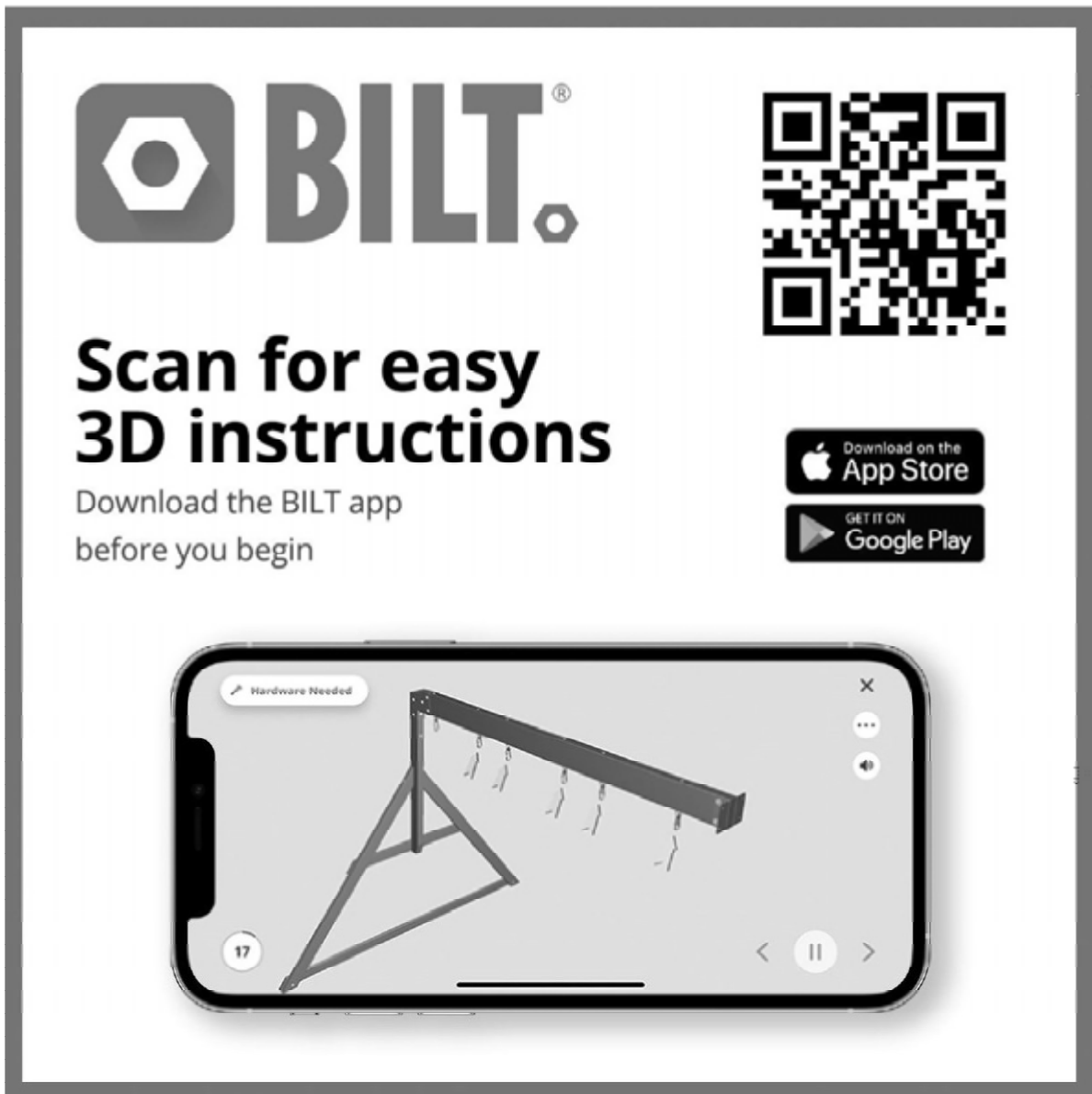


Level 24"

PRE-ASSEMBLY STEP 3 - CHOOSE YOUR ASSEMBLY METHOD

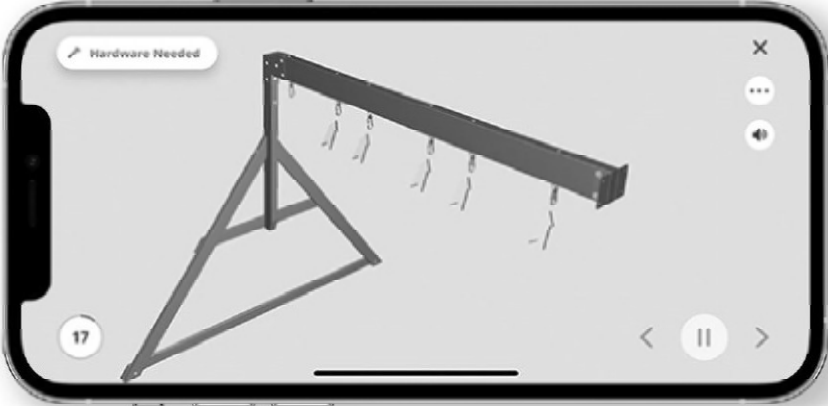


There are several types of assembly instructions available to you.

1. Printed Assembly Manual included with your set
2. BILT APP - 3D interactive instructions
3. Combination of the Printed Manual and BILT APP (Note: Step numbers can differ between the two methods)



**Scan for easy
3D instructions**

Download the BILT app
before you begin



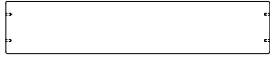
The image shows a smartphone screen displaying the BILT app interface. The screen features a 3D assembly diagram of a structure with a horizontal beam and a triangular base. At the top left of the screen, there is a button labeled "Hardware Needed". At the bottom left, a circular icon contains the number "17". At the bottom right, there are navigation icons: a back arrow, a pause button, and a forward arrow. The entire advertisement is enclosed in a grey border.

STEP 1 - LADDER ASSEMBLY

QTY	PART NUMBER	DESCRIPTION
8	H100391	SCREW PFH 8x2 BLK

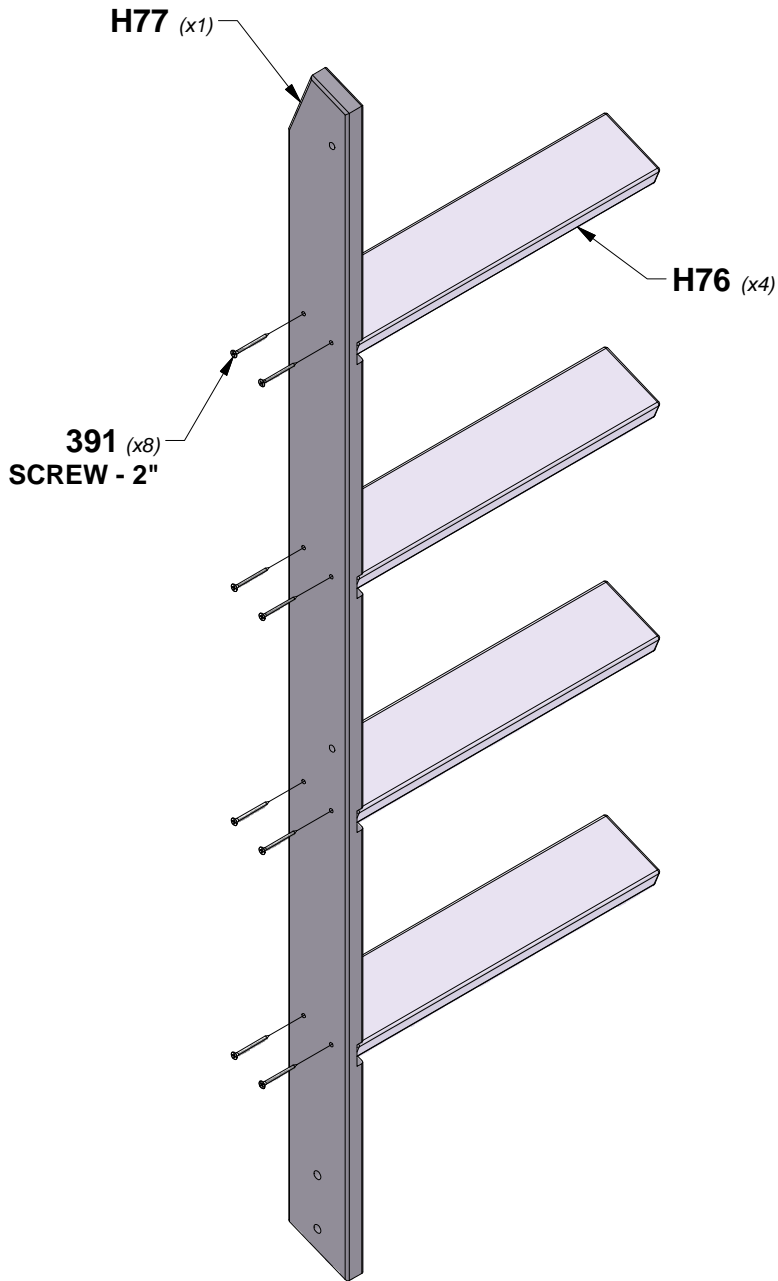


H77 LEFT UPRIGHT - W4L19085
(x1) 1"x3 3/8"x58" (24x86x1474)



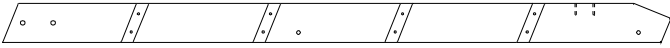
H76 LADDER RUNG - W4L19035
(x4) 1"x3 3/8"x17 1/4" (24x86x437)

TIP:
ALIGN PILOT HOLES



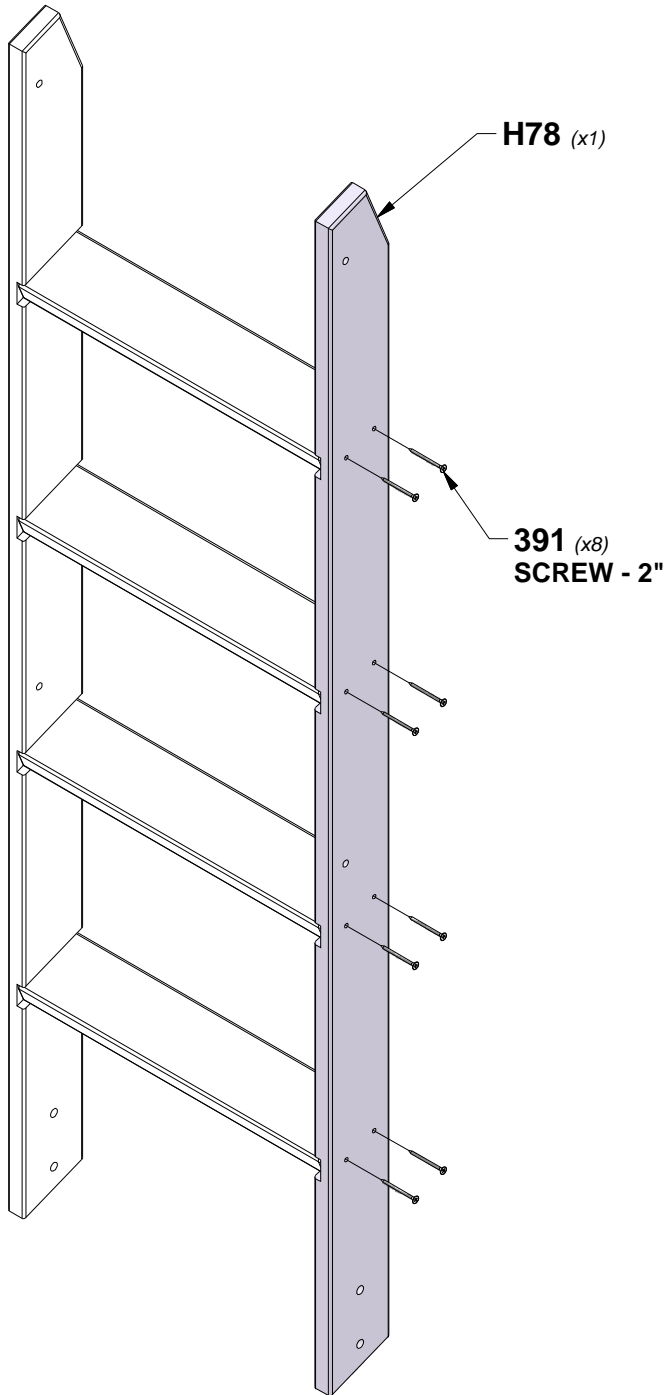
STEP 2 - LADDER ASSEMBLY

QTY	PART NUMBER	DESCRIPTION
8	H100391	SCREW PFH 8x2 BLK



H78 RIGHT UPRIGHT - W4L19086
(x1) 1"x3 3/8"x58" (24x86x1474)

TIP:
ALIGN PILOT HOLES



STEP 3 - LADDER ASSEMBLY

QTY	PART NUMBER	DESCRIPTION
4	H100200	SCREW PFH 8x1-1/2 BLK
4	H100391	SCREW PFH 8x2 BLK

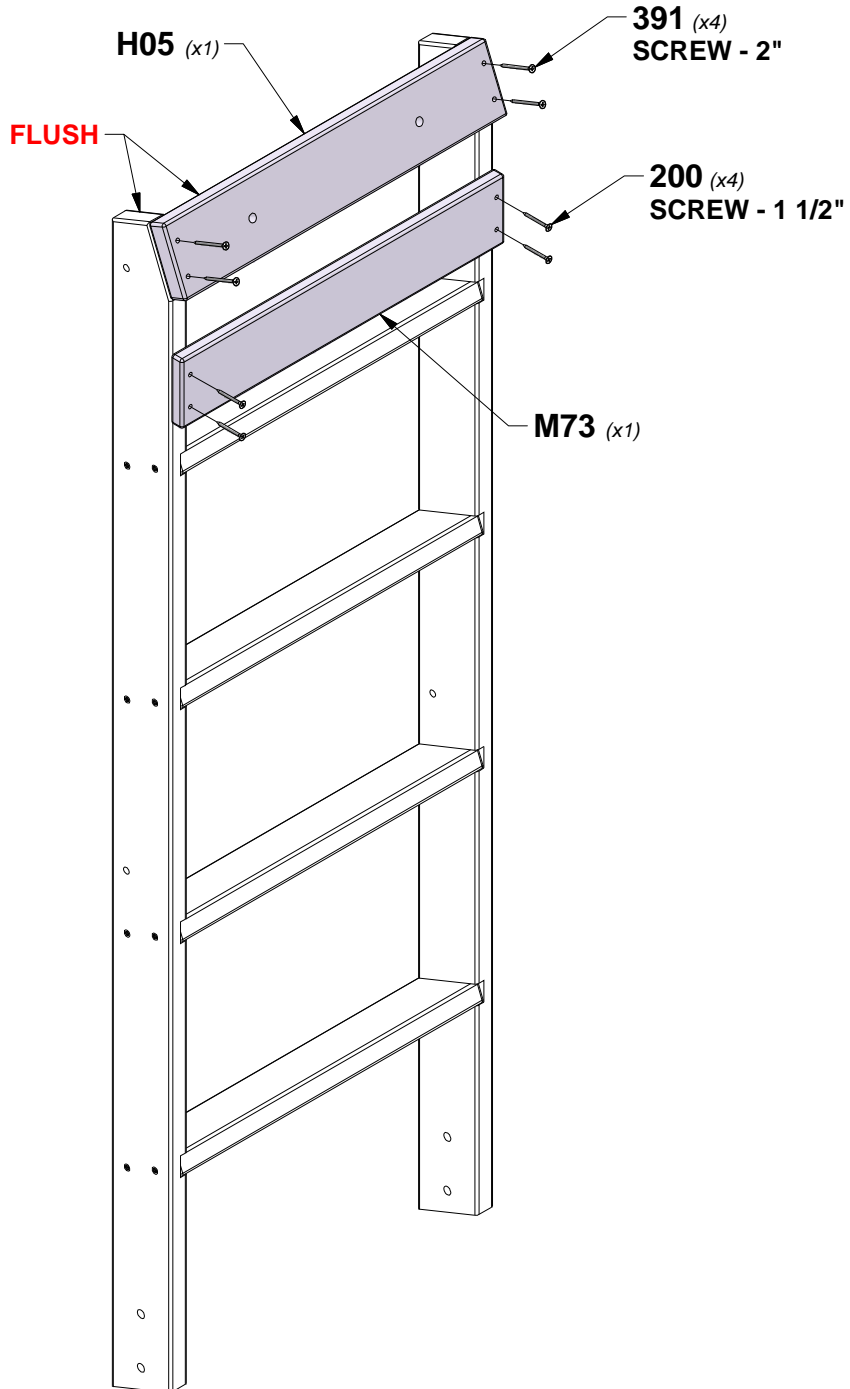


H05 ATTACHMENT BOARD - W4L19087
 (x1) 1"x3 3/8"x18 1/4" (24x86x465)



M73 REAR SUPPORT - W4L19034
 (x1) 5/8"x3 3/8"x18 1/4" (16x86x465)

TIP:
ALIGN PILOT HOLES

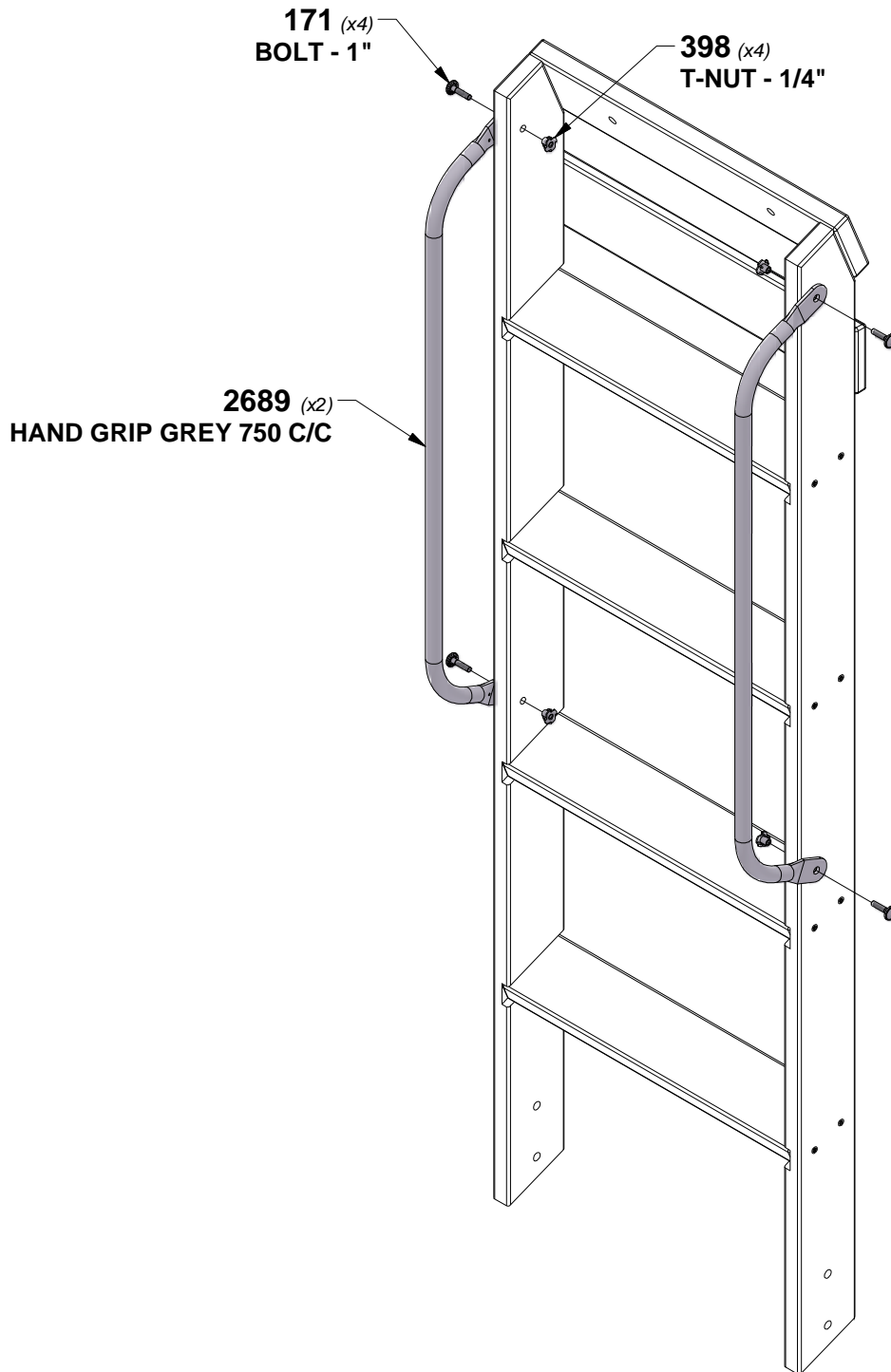


STEP 4 - LADDER ASSEMBLY

QTY	PART NUMBER	DESCRIPTION
4	H100171	BOLT WH 1/4x1 BLK
4	H100398	T-NUT 1/4 BLK



TIP:
INSTALL T-NUTS FIRST



STEP 1 - ROCK WALL ASSEMBLY

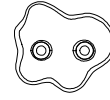
QTY	PART NUMBER	DESCRIPTION
24	H100398	T-NUT 1/4 BLK
24	H100473	WASHER LOCK INT 8x15 BLK
24	H101111	BOLT WH 1/4x3/4 BLK



M75 ROCK WALL BOARD - W4L19031
(x4) 5/8"x3 3/8"x26 1/4" (16x86x667)

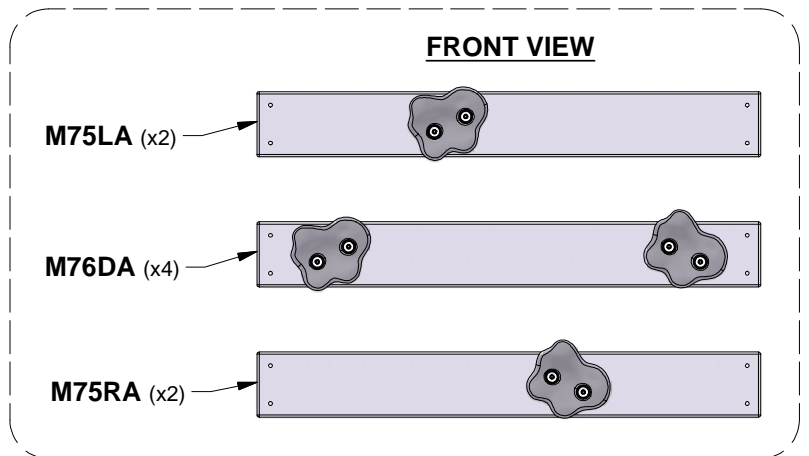
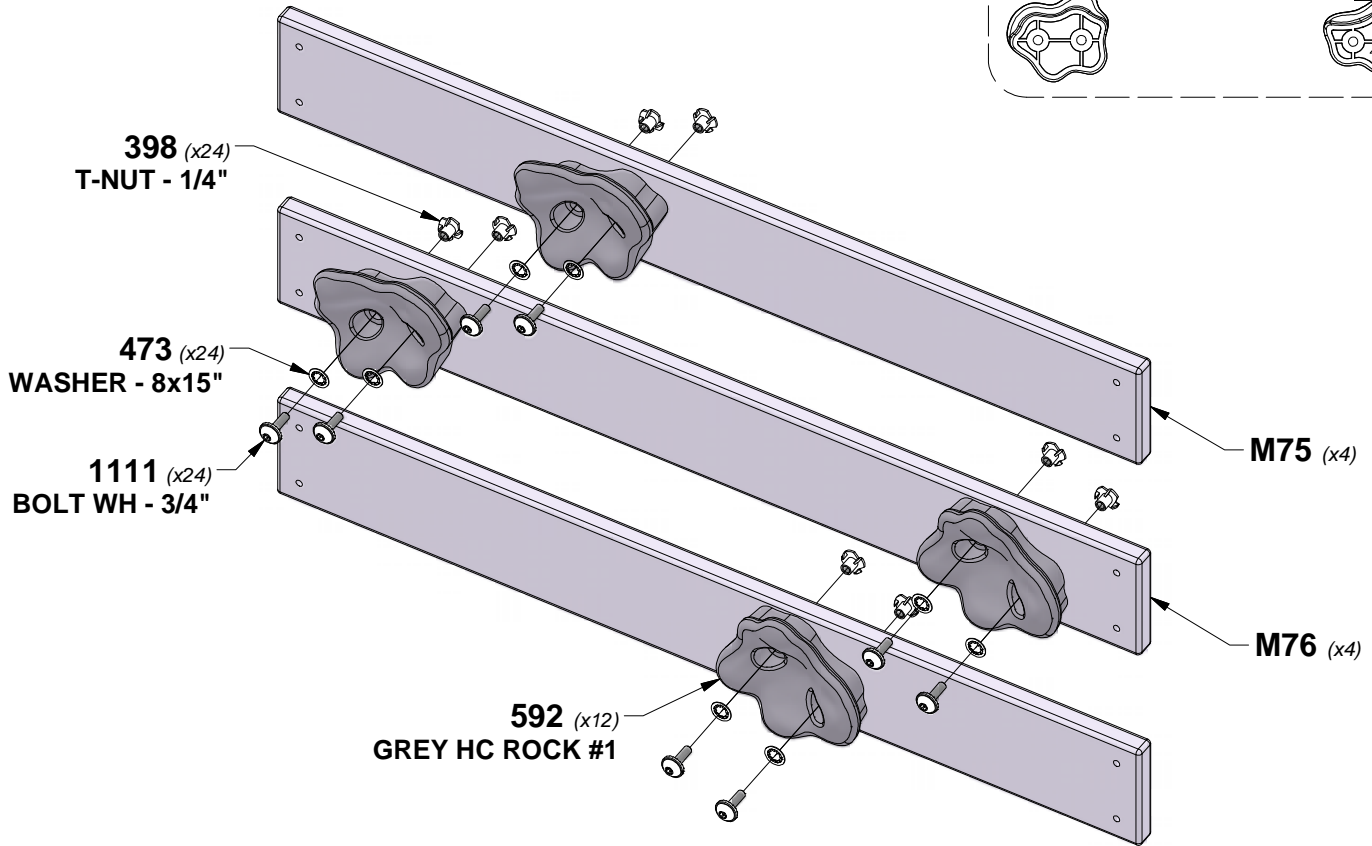
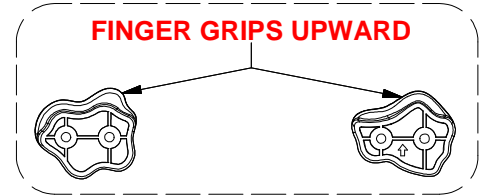


M76 ROCK WALL BOARD - W4L19032
(x4) 5/8"x3 3/8"x26 1/4" (16x86x667)



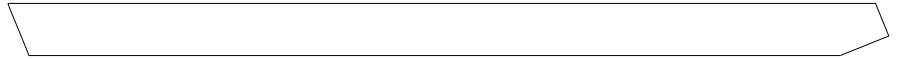
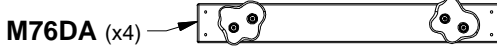
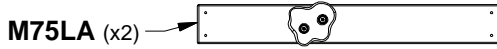
A6P00592 (x12) GREY HC ROCK #1

TIP:
INSTALL T-NUTS IN WOOD FIRST



STEP 2 - ROCK WALL ASSEMBLY

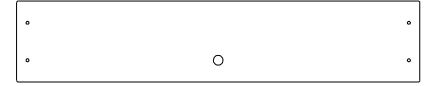
QTY	PART NUMBER	DESCRIPTION
64	H100200	SCREW PFH 8x1-1/2 BLK



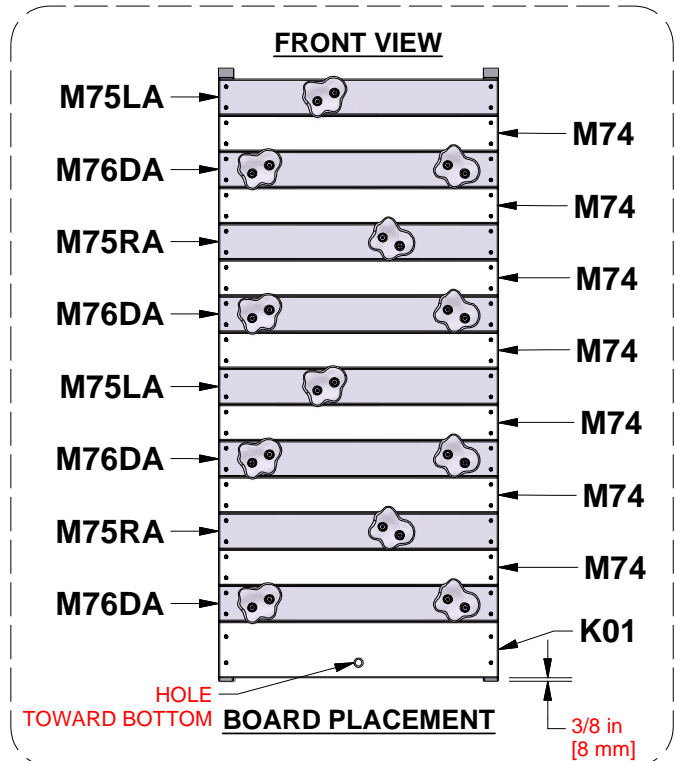
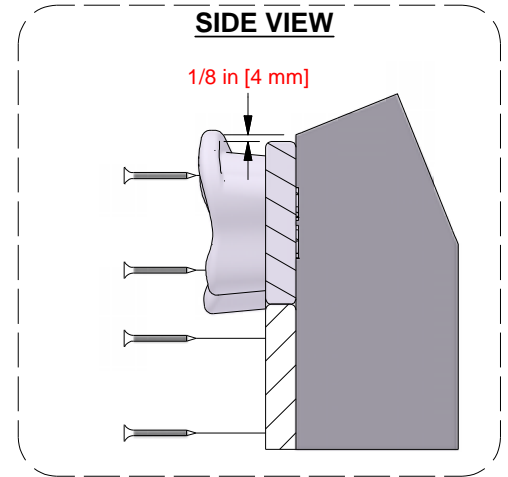
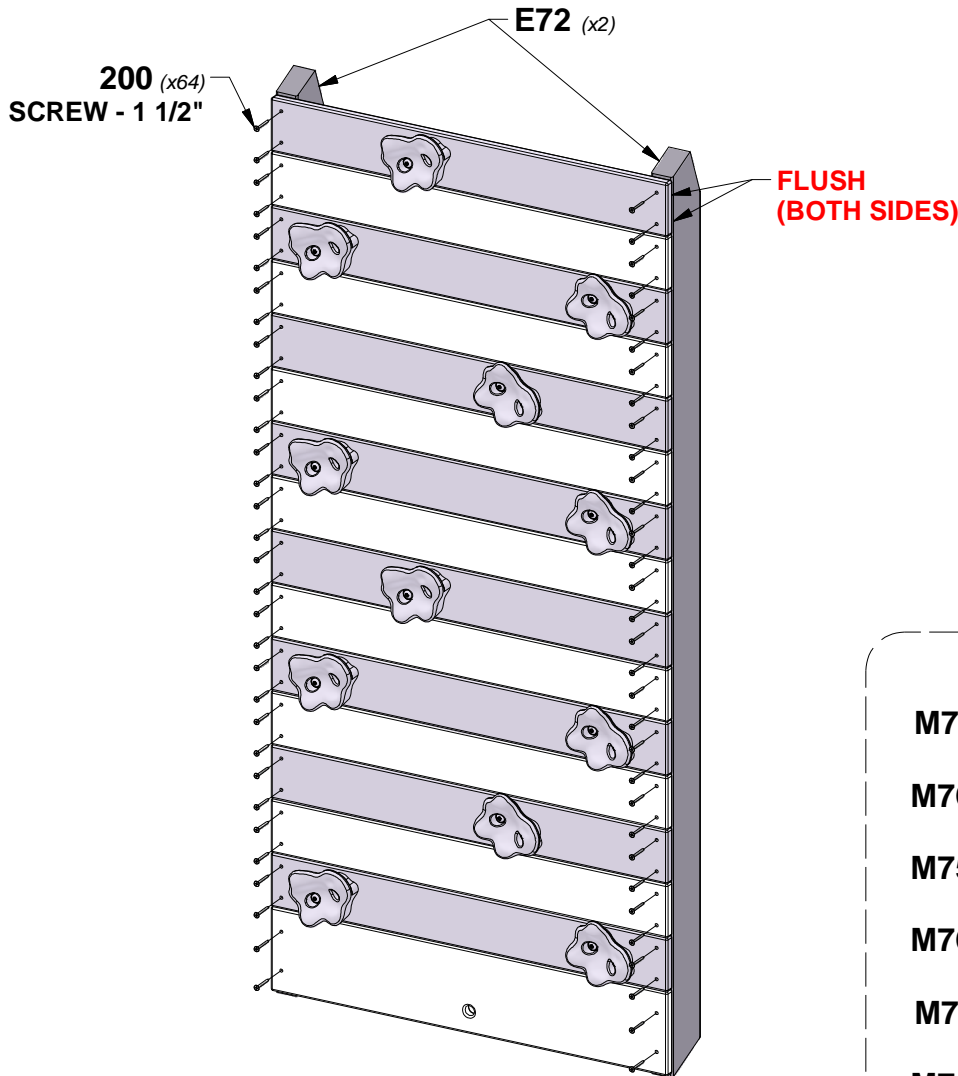
E72 RAIL - W4L19305
(x2) 1 3/8"x3 3/8"x57 3/8" (36x86x1457)



M74 ROCK WALL BOARD - W4L19030
(x7) 5/8"x3 3/8"x26 1/4" (16x86x667)

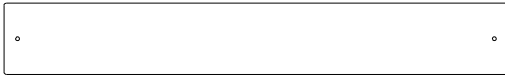


K01 ROCK WALL BOARD - W4L19033
(x1) 5/8"x5 1/4"x26 1/4" (16x134x667)

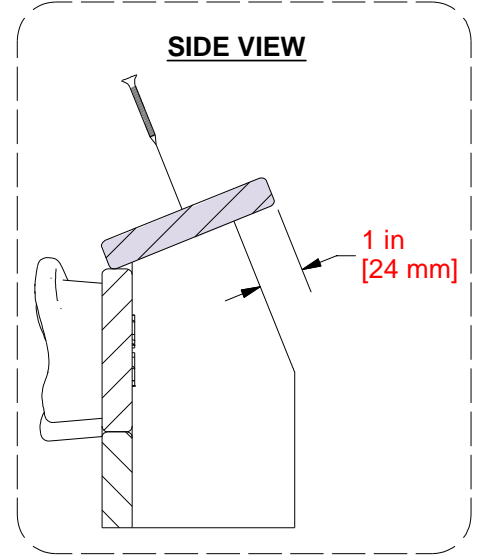
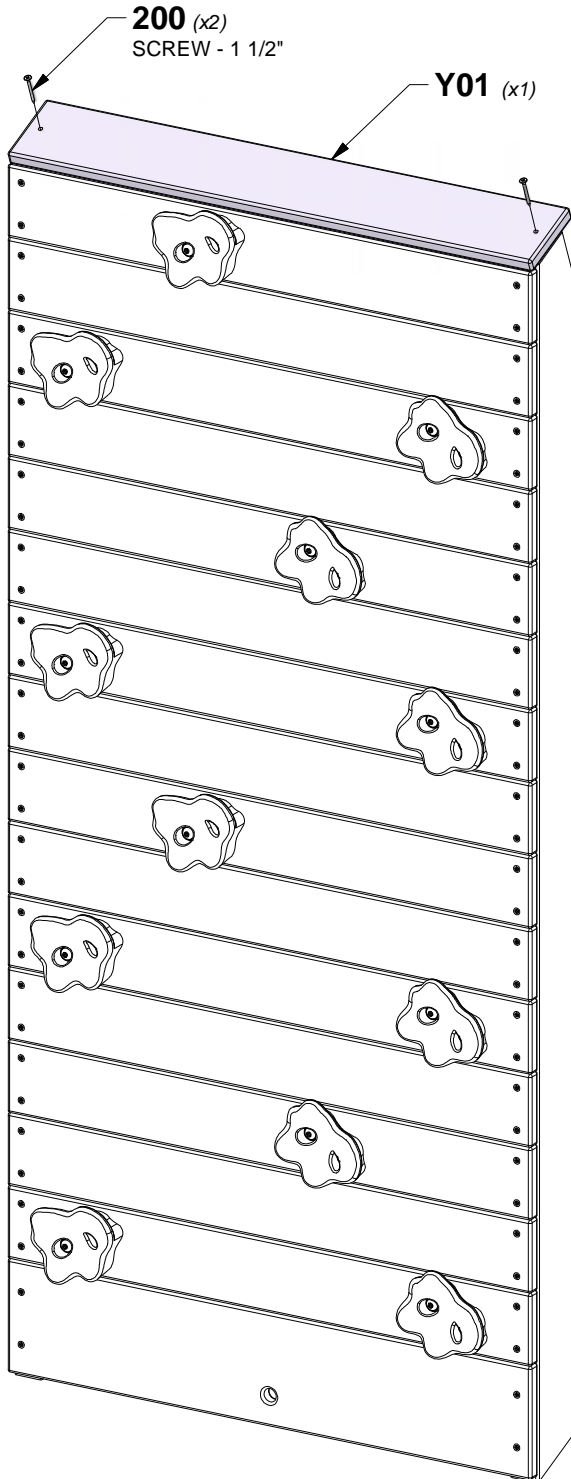


STEP 3 - ROCK WALL ASSEMBLY

QTY	PART NUMBER	DESCRIPTION
2	H100200	SCREW PFH 8x1-1/2 BLK



Y01 TOP BOARD - W4L19306
(x1) 5/8"x3 3/4"x26 1/4" (16x94x667)



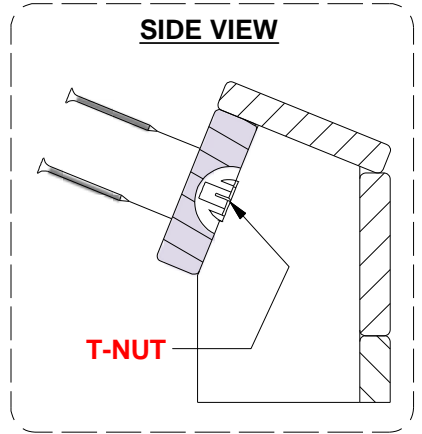
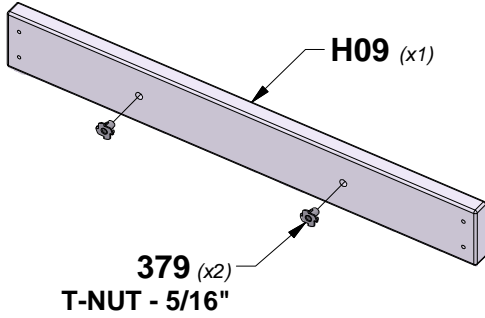
STEP 4 - ROCK WALL ASSEMBLY

QTY	PART NUMBER	DESCRIPTION
2	H100379	T-NUT 5/16 BLK
4	H100382	SCREW PFH 8x1 3/4 BLK



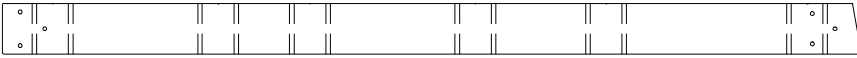
H09 ATTACHMENT BOARD - W4L19307
 (x1) 1"x3 3/8"x26 1/4" (24x86x667)

TIP:
INSTALL T-NUTS IN WOOD FIRST



STEP 1 - SWING BEAM ASSEMBLY

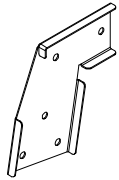
QTY	PART NUMBER	DESCRIPTION
10	H100192	NUT BARREL WH 5/16x7/8 BLK
10	H100416	BOLT WH 5/16x3 BLK



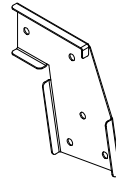
A01 SWING BEAM EXTENDED - W4L19029
(x1) 3 3/8"x5 1/4"x89 1/2" (86x134x2274)



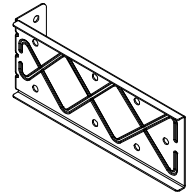
A02 SB 9" BLOCK - W4L19078
(x1) 3 3/8"x5 1/4"x9" (86x134x228)



A4M00618 SWING BEAM EXTENSION BRACKET-RIGHT
(x1)

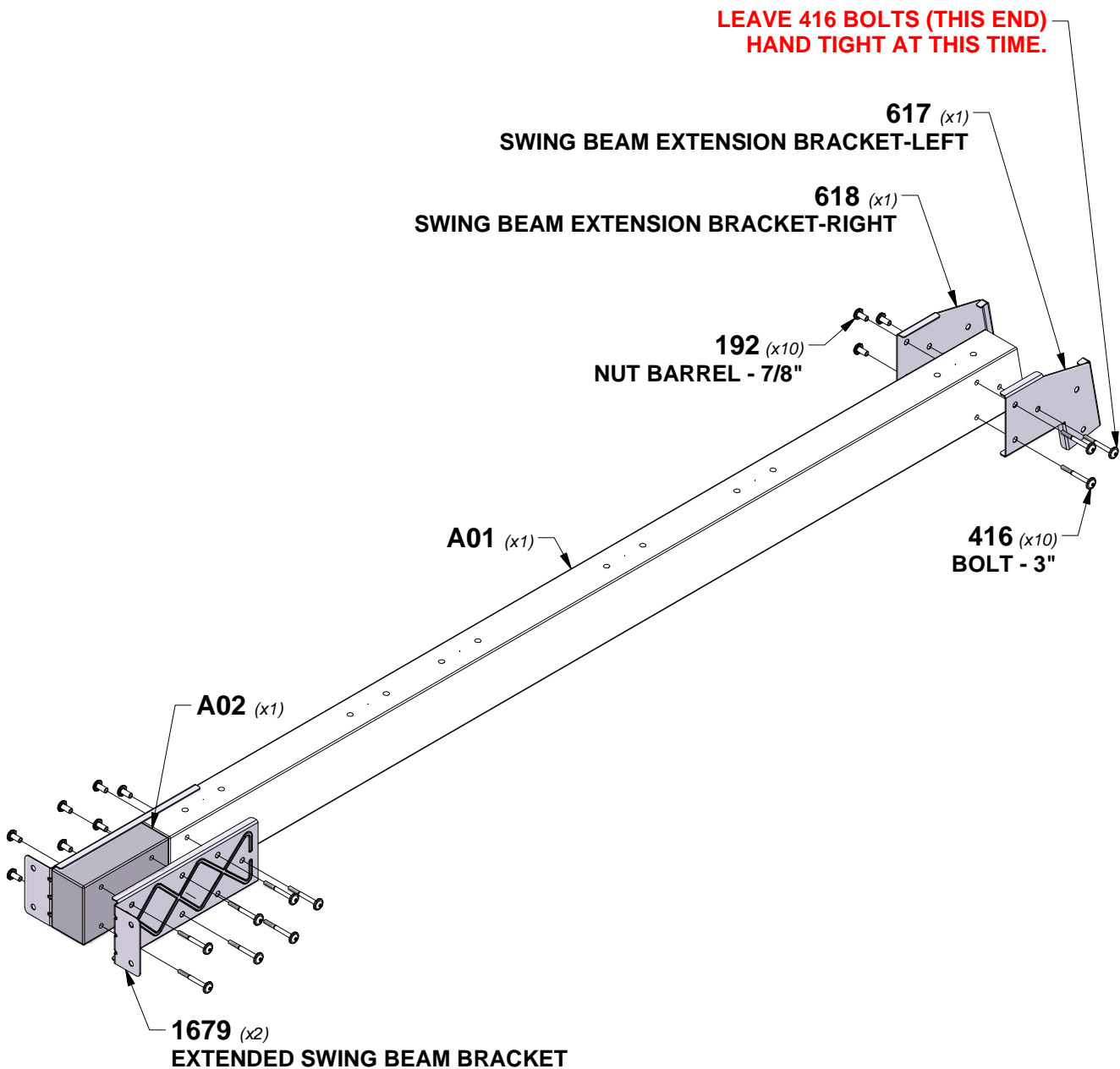


A4M00617 SWING BEAM EXTENSION BRACKET-LEFT
(x1)

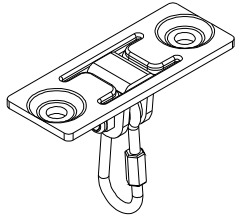


A4M01679 EXTENDED SWING BEAM BRACKET
(x2)

**LEAVE 416 BOLTS (THIS END)
HAND TIGHT AT THIS TIME.**



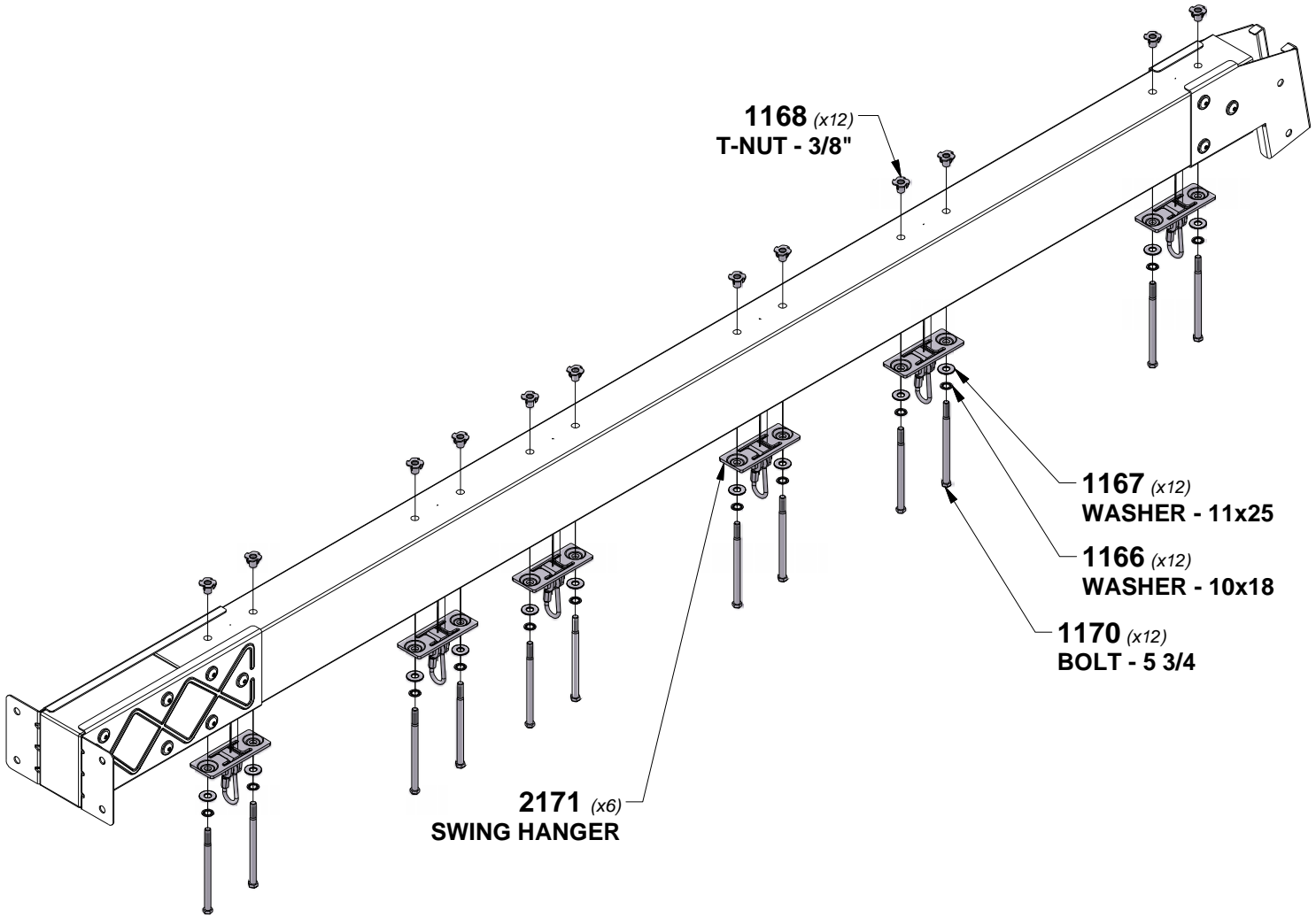
STEP 2 - SWING BEAM ASSEMBLY



A4M02171
(x6) **SWING HANGER**

QTY	PART NUMBER	DESCRIPTION
12	H101166	WASHER LOCK INT 10x18 BLK
12	H101167	WASHER FLAT 11x25
12	H101168	T-NUT 3/8 BLK
12	H101170	BOLT HEX 3/8x5-3/4

TIP:
INSTALL T-NUTS IN WOOD FIRST

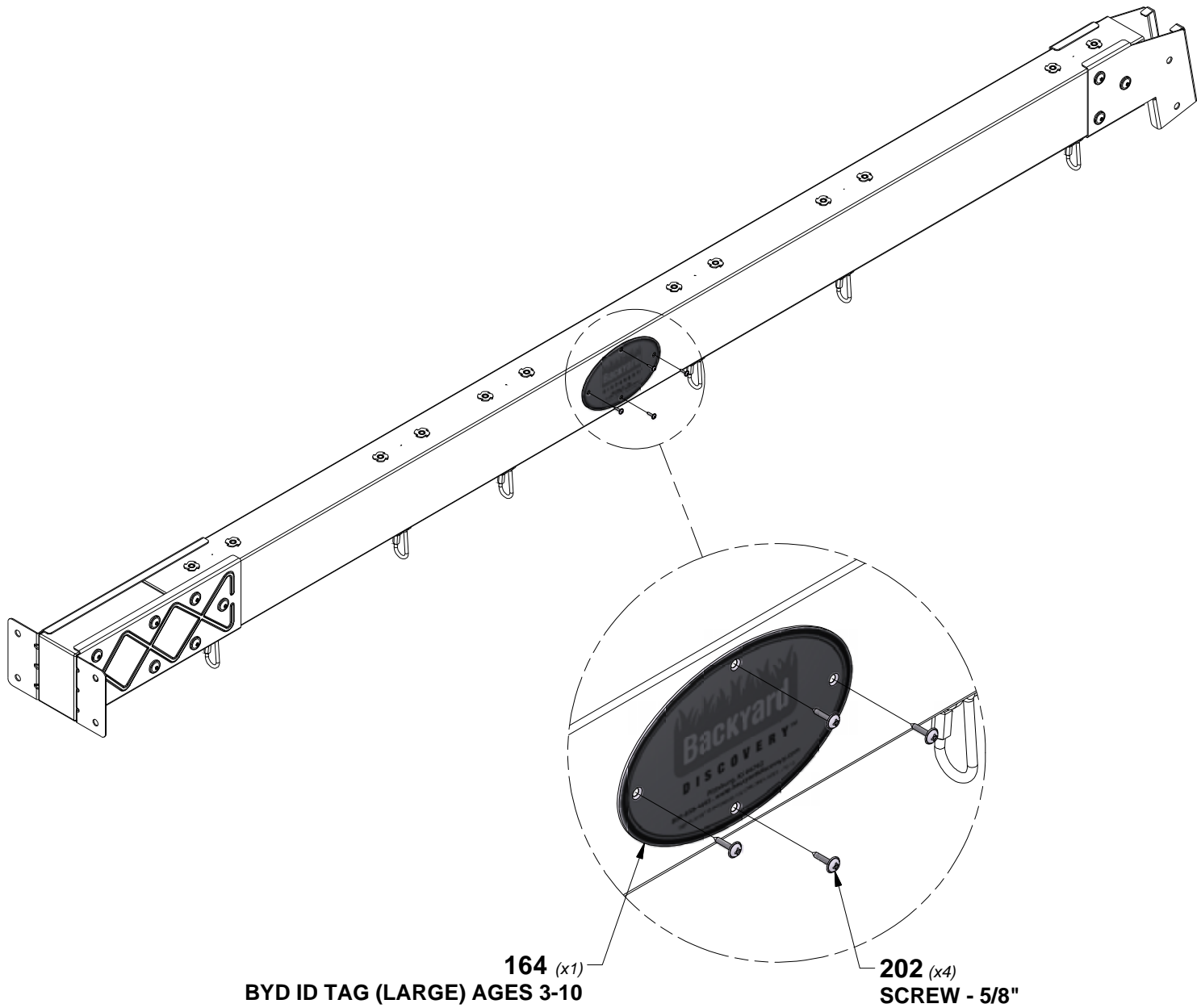


STEP 3 - SWING BEAM ASSEMBLY

QTY	PART NUMBER	DESCRIPTION
4	H100202	SCREW PWH 8x5/8 BLK



A100164
(x1) BYD ID TAG (LARGE) AGES 3-10



STEP 4 - SWING BEAM ASSEMBLY

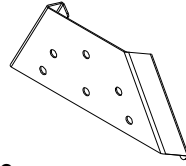
QTY	PART NUMBER	DESCRIPTION
6	H100379	T-NUT 5/16 BLK
4	H100407	BOLT WH 5/16x1 1/2 BLK
2	H100503	BOLT WH 5/16x3-1/2 BLK



E77 ANGLE BRACE - W4L19025
(x2) 1 3/8"x3 3/8"x78" (36x86x1980)

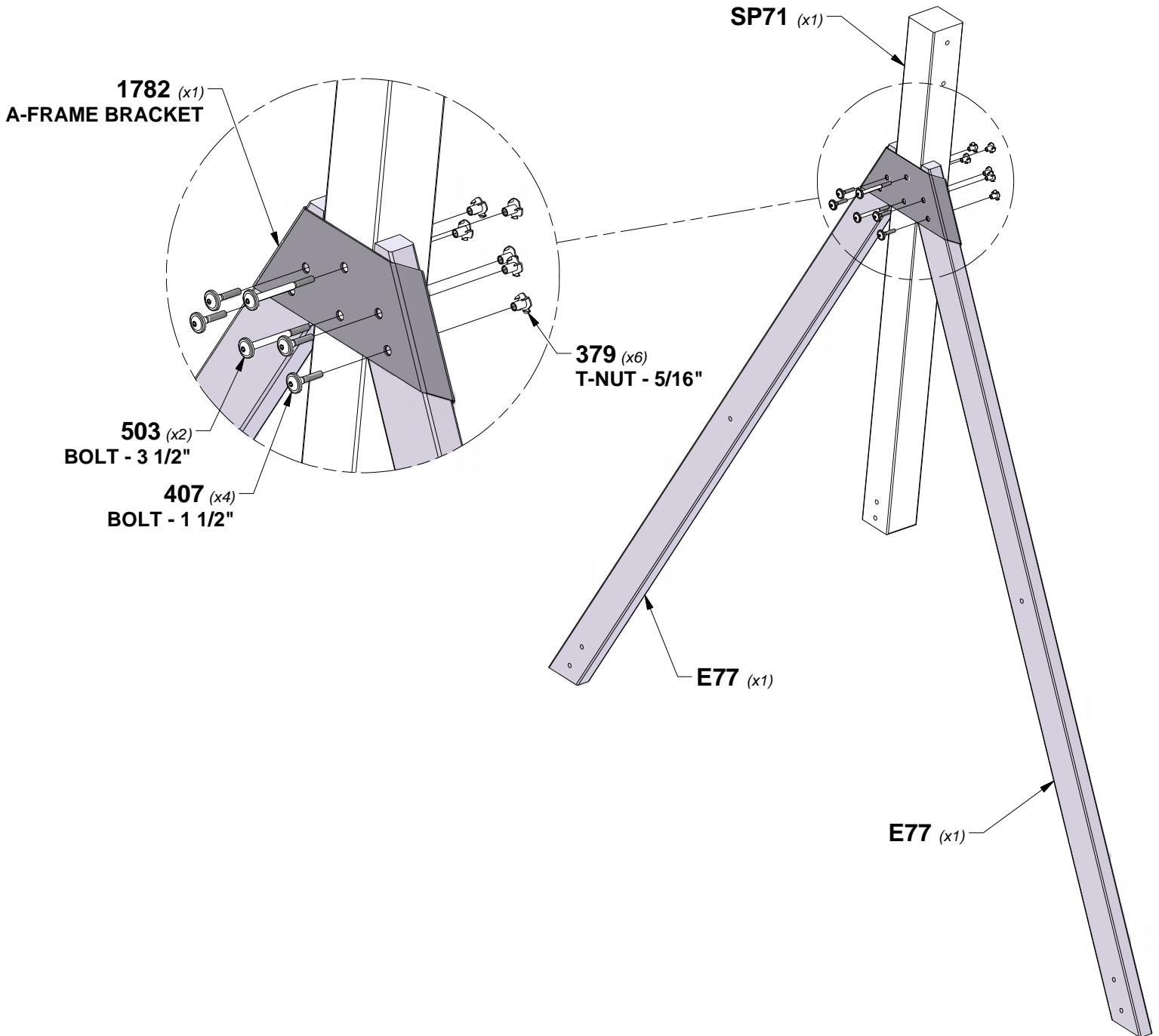


SP71 SWING BEAM SUPPORT - W4L19028
(x1) 3 3/8"x3 3/8"x49 1/2" (86x86x1256)

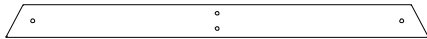


A4M01782 A-FRAME BRACKET
(x1)

TIP:
INSTALL T-NUTS IN WOOD FIRST



STEP 5 - SWING BEAM ASSEMBLY



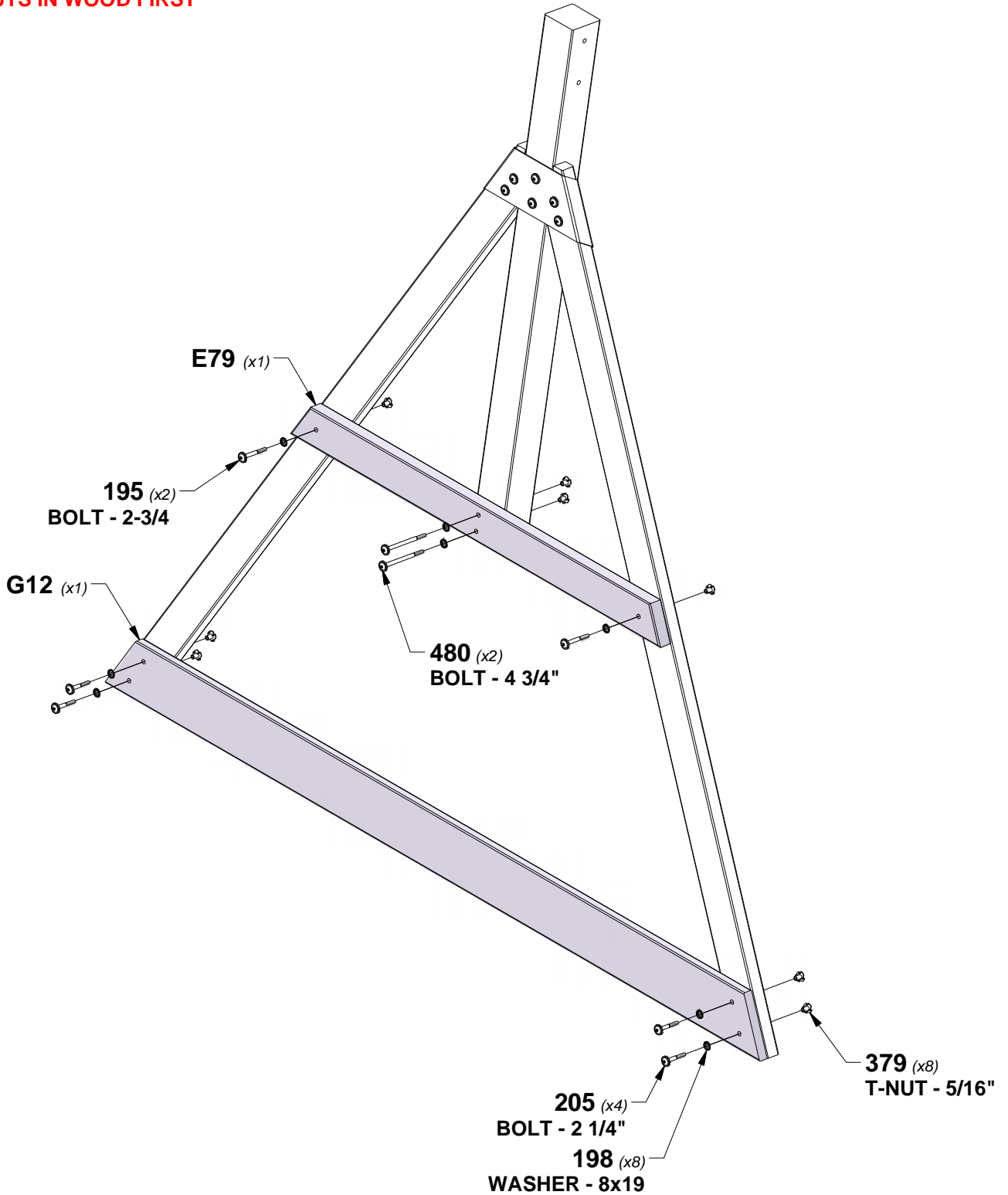
E79 END SUPPORT - W4L19026
(x1) 1 1/2"x3 1/2"x44" (36x86x1120)



G12 GROUND BOARD - W4L19027
(x1) 1"x5 1/4"x78 1/8" (24x134x1984)

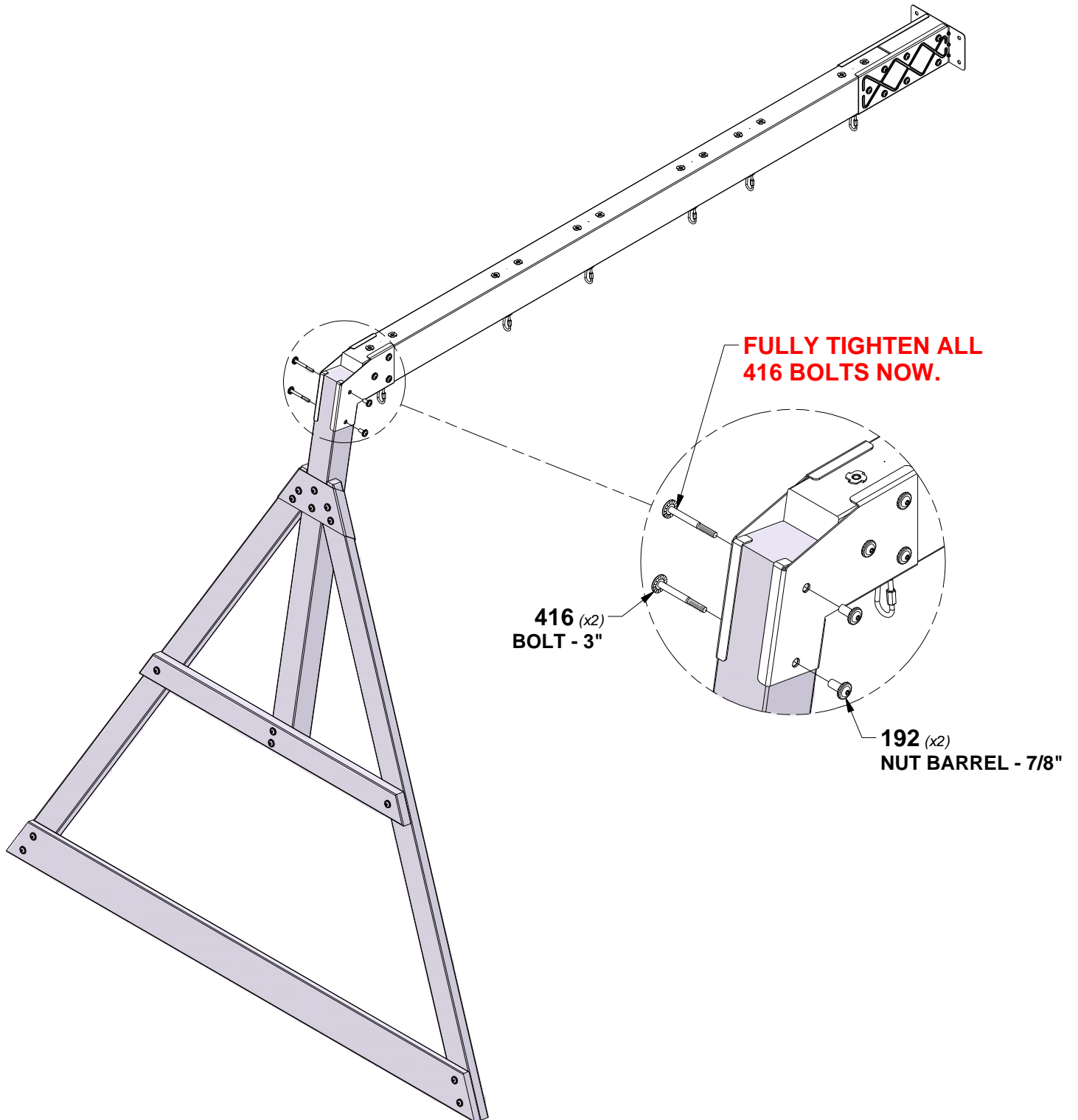
QTY	PART NUMBER	DESCRIPTION
2	H100195	BOLT WH 5/16x2-3/4 BLK
8	H100198	WASHER LOCK EXT 8x19 BLK
4	H100205	BOLT WH 5/16x2-1/4 BLK
8	H100379	T-NUT 5/16 BLK
2	H100480	BOLT WH 5/16x4 3/4 BLK

TIP:
INSTALL T-NUTS IN WOOD FIRST



STEP 6 - SWING BEAM ASSEMBLY

QTY	PART NUMBER	DESCRIPTION
2	H100192	NUT BARREL WH 5/16x7/8 BLK
2	H100416	BOLT WH 5/16x3 BLK



STEP 1 - FORT ASSEMBLY

QTY	PART NUMBER	DESCRIPTION
4	H100195	BOLT WH 5/16x2-3/4 BLK
8	H100198	WASHER LOCK EXT 8x19 BLK
12	H100379	T-NUT 5/16 BLK
4	H100457	BOLT WH 5/16x2 BLK



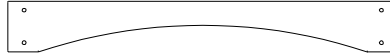
E07 RIGHT REAR UPRIGHT - W4L19299
(x1) 1 3/8"x3 3/8"x43 1/2" (36x86x1104)



E09 RIGHT FRONT UPRIGHT - W4L19300
(x1) 1 3/8"x3 3/8"x43 1/2" (36x86x1104)

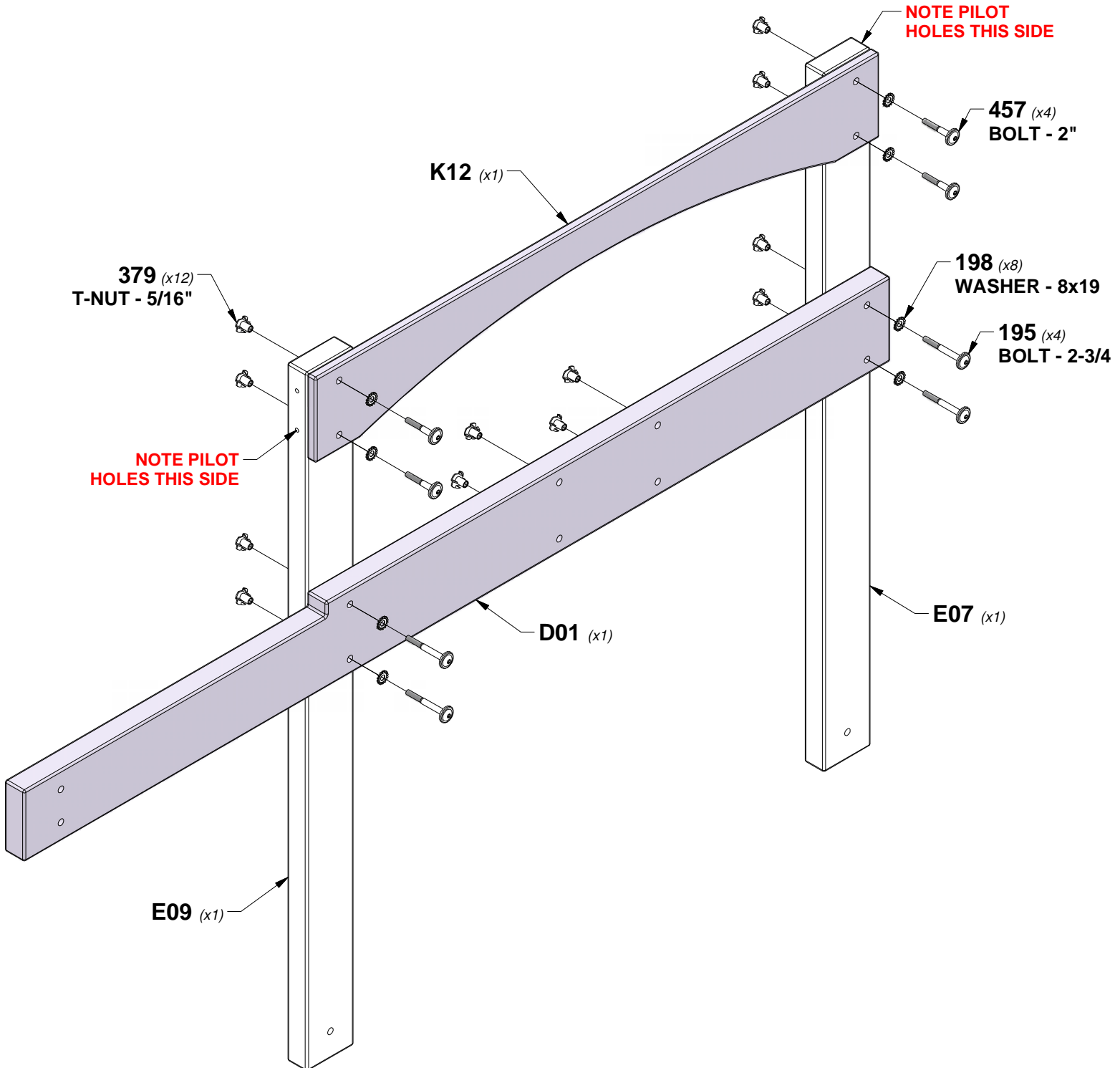


D01 SWING BEAM MOUNT - W4L19076
(x1) 1 3/8"x5 1/4"x62 3/8" (36x134x1585)



K12 ARCHED WALL RAIL - W4L19082
(x1) 5/8"x5 1/4"x40 5/8" (16x134x1032)

TIP:
INSTALL T-NUTS IN WOOD FIRST

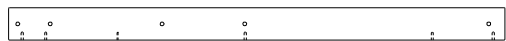


STEP 2 - FORT ASSEMBLY

QTY	PART NUMBER	DESCRIPTION
6	H100198	WASHER LOCK EXT 8x19 BLK
6	H100205	BOLT WH 5/16x2-1/4 BLK
6	H100379	T-NUT 5/16 BLK



G05 RIGHT CENTER WALL RAIL - W4L19067
(x1) 1"x5 1/4"x63 3/8" (24x134x1609)



E04 RIGHT FRONT UPRIGHT - W4L19296
(x1) 1 3/8"x3 3/8"x51 3/4" (36x86x1314)

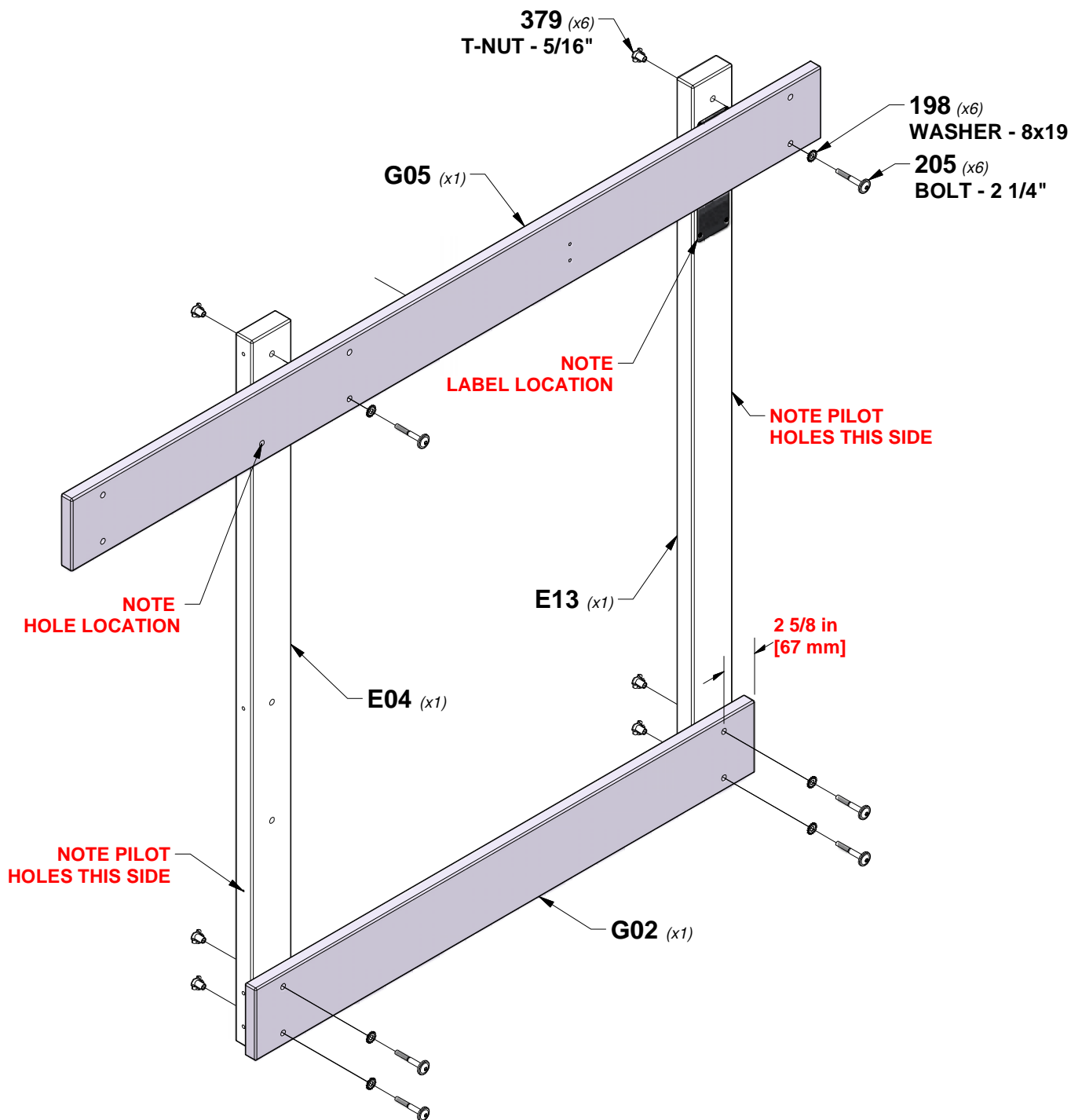


E13 RIGHT REAR UPRIGHT ASSEMBLY - W2A04116
(x1) 1 3/8"x3 3/8"x51 3/4" (36x86x1314)



G02 GROUND BOARD - W4L19064
(x1) 1"x5 1/4"x42 1/4" (24x134x1072)

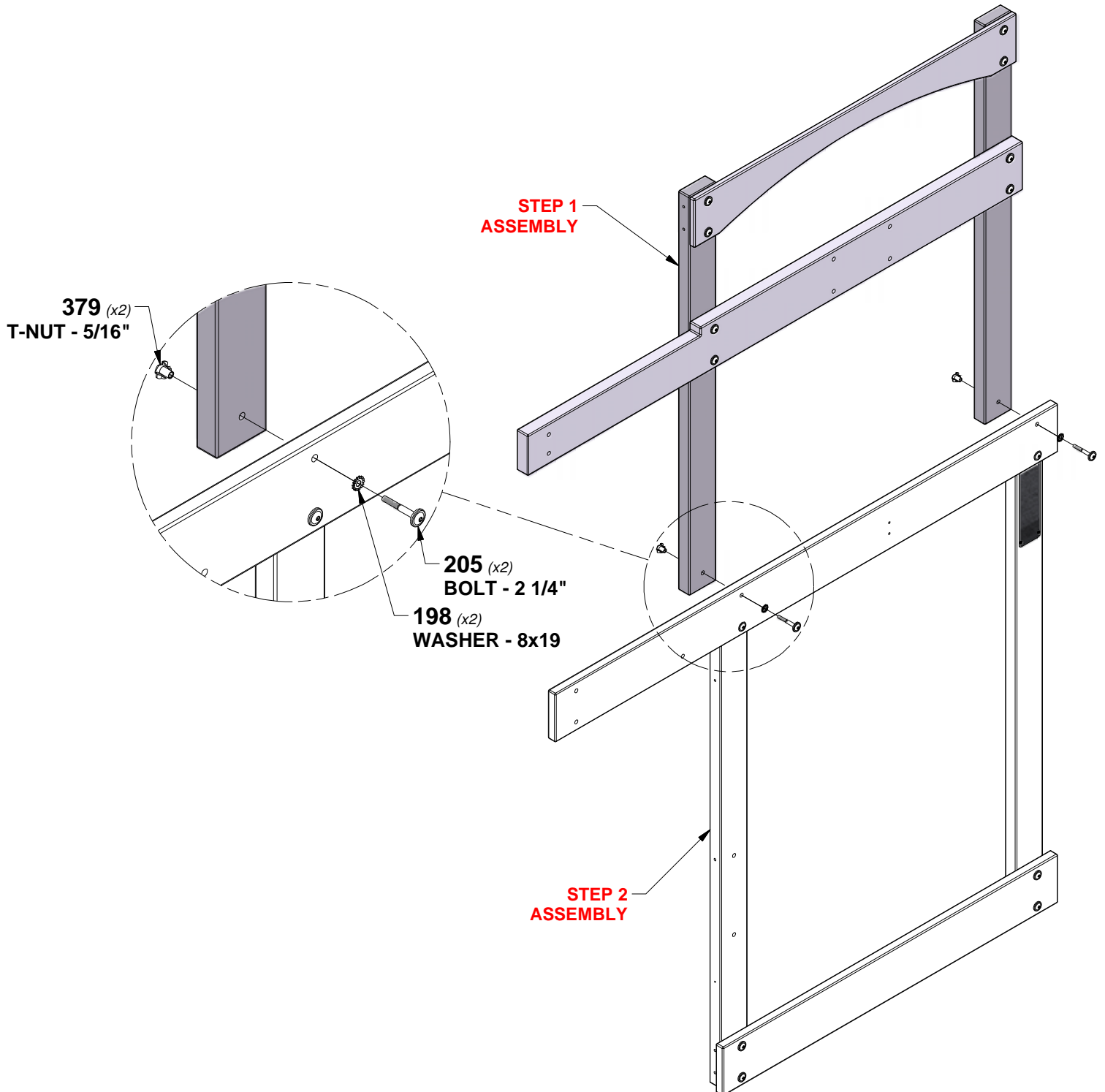
TIP:
INSTALL T-NUTS IN WOOD FIRST



STEP 3 - FORT ASSEMBLY

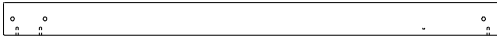
QTY	PART NUMBER	DESCRIPTION
2	H100198	WASHER LOCK EXT 8x19 BLK
2	H100205	BOLT WH 5/16x2-1/4 BLK
2	H100379	T-NUT 5/16 BLK

TIP:
INSTALL T-NUTS IN WOOD FIRST

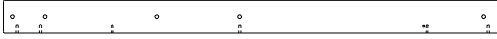


STEP 4 - FORT ASSEMBLY

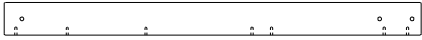
QTY	PART NUMBER	DESCRIPTION
12	H100198	WASHER LOCK EXT 8x19 BLK
12	H100205	BOLT WH 5/16x2-1/4 BLK
12	H100379	T-NUT 5/16 BLK



E02 LEFT REAR UPRIGHT - W4L19294
(x1) 1 3/8"x3 3/8"x51 3/4" (36x86x1314)



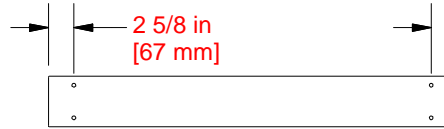
E03 LEFT FRONT UPRIGHT - W4L19295
(x1) 1 3/8"x3 3/8"x51 3/4" (36x86x1314)



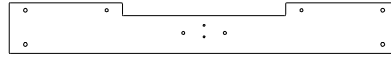
E06 LEFT REAR UPRIGHT - W4L19062
(x1) 1 3/8"x3 3/8"x43 1/2" (36x86x1104)



E08 LEFT FRONT UPRIGHT - W4L19063
(x1) 1 3/8"x3 3/8"x43 1/2" (36x86x1104)



G03 GROUND BOARD - W4L19065
(x1) 1"x5 1/4"x42 1/4" (24x134x1072)

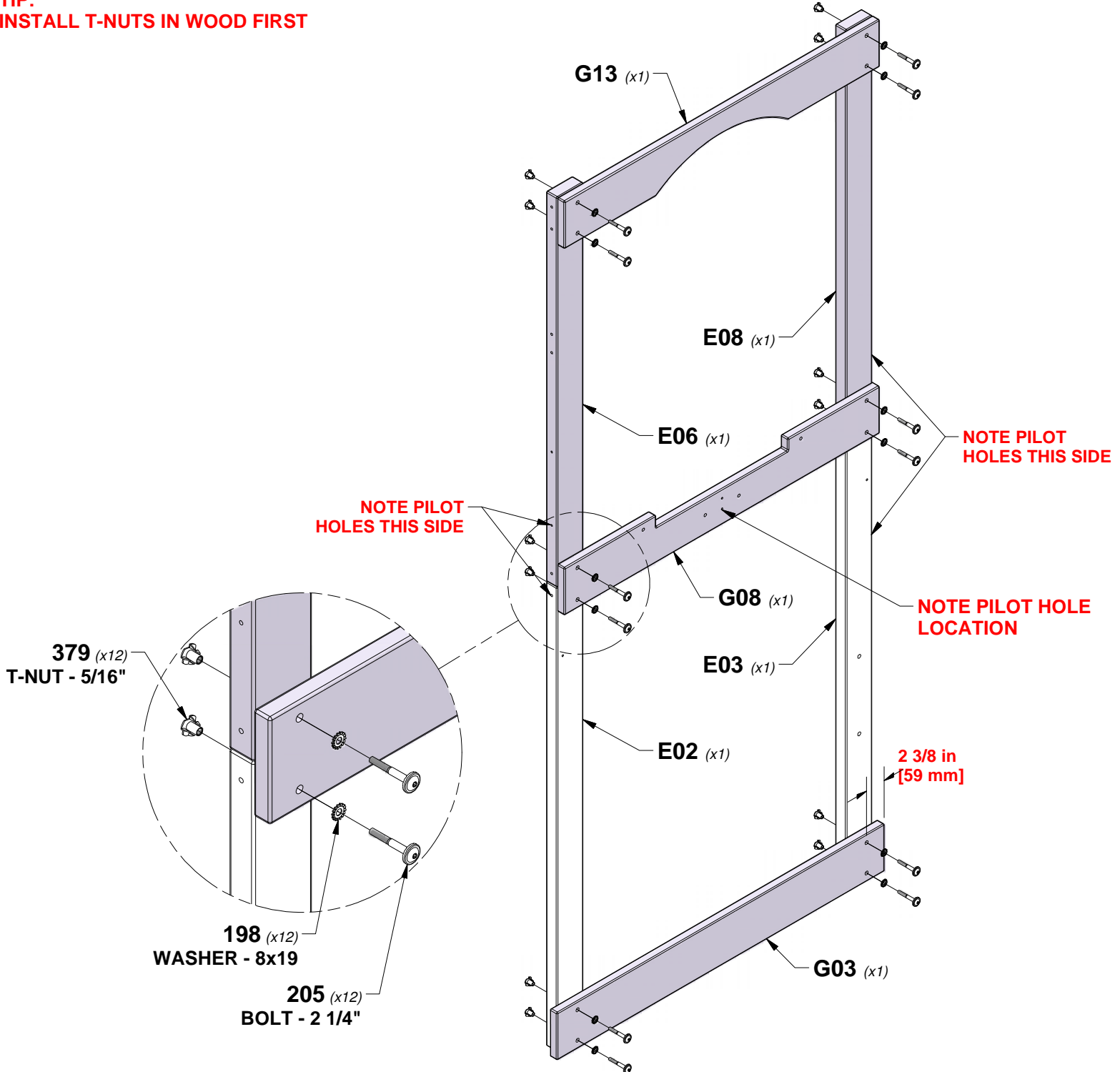


G08 LEFT CENTER WALL RAIL - W4L19061
(x1) 1"x5 1/4"x40 5/8" (24x134x1032)



G13 ARCHED WALL RAIL - W4L19071
(x1) 1"x5 1/4"x40 5/8" (24x134x1032)

TIP:
INSTALL T-NUTS IN WOOD FIRST

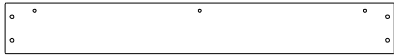


STEP 5 - FORT ASSEMBLY

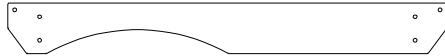
QTY	PART NUMBER	DESCRIPTION
3	H100197	LAG SCREW WH 5/16x2-1/2 BLK
12	H100198	WASHER LOCK EXT 8x19 BLK
2	H100206	LAG SCREW WH 5/16x3 BLK
8	H100458	LAG SCREW WH 5/16x2 BLK



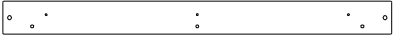
G06 FRONT CENTER WALL RAIL - W4L19075
(x1) 1"x5 1/4"x61 3/4" (24x134x1570)



K04 GROUND BOARD - W4L19070
(x1) 5/8"x5 1/4"x40 1/2" (16x134x1030)



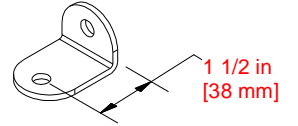
G15 ANGLED WALL RAIL - W4L19073
(x1) 1"x5 1/4"x45 3/4" (24x134x1162)



M01 WALL RAIL - W4L19074
(x1) 5/8"x3 3/8"x40 1/2" (16x86x1030)

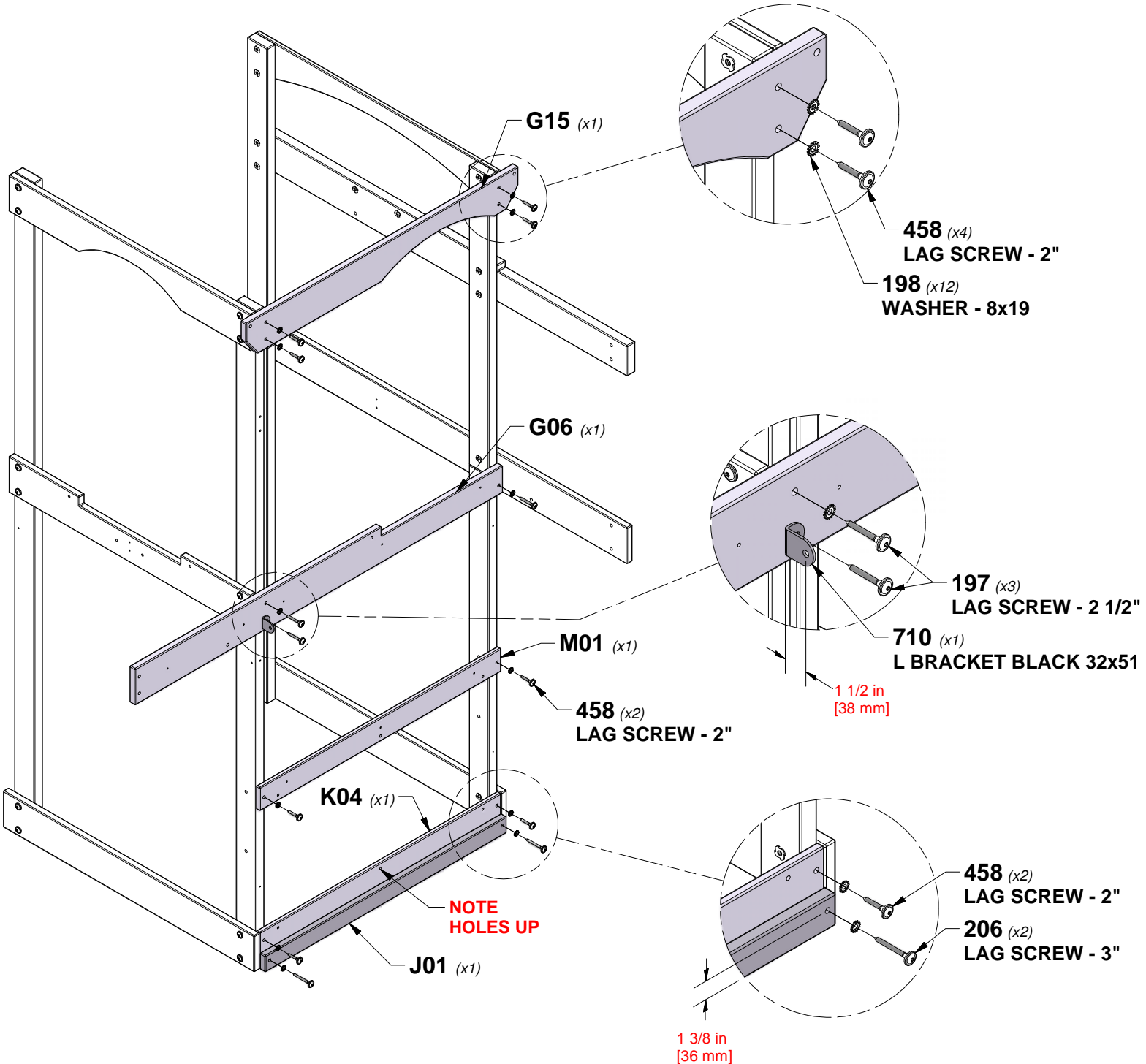


J01 PORCH GROUND BOARD - W4L19079
(x1) 1"x2 3/8"x40 1/2" (24x60x1030)



A4M00710 L BRACKET BLACK 32x51
(x1)

1 3/8 in
[36 mm]



STEP 6 - FORT ASSEMBLY

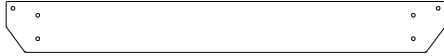
QTY	PART NUMBER	DESCRIPTION
8	H100197	LAG SCREW WH 5/16x2-1/2 BLK
12	H100198	WASHER LOCK EXT 8x19 BLK
2	H100379	T-NUT 5/16 BLK
4	H100458	LAG SCREW WH 5/16x2 BLK



G07 REAR CENTER WALL RAIL - W4L19068
(x1) 1"x5 1/4"x61 3/4" (24x134x1570)

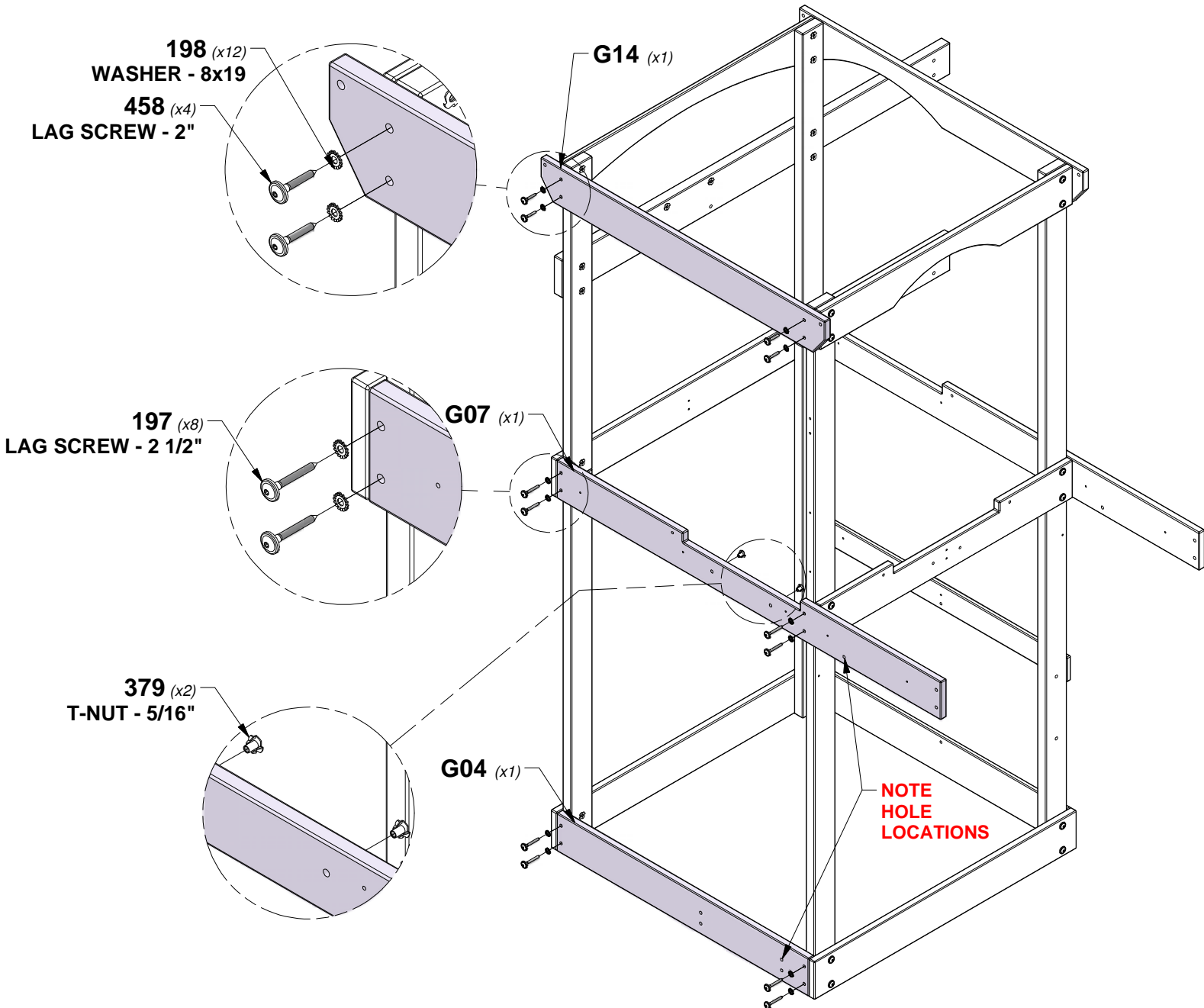


G04 GROUND BOARD - W4L19066
(x1) 1"x5 1/4"x40 1/2" (24x134x1030)



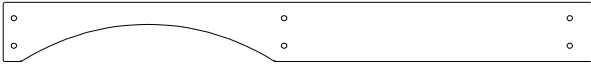
G14 ANGLED WALL RAIL - W4L19072
(x1) 1"x5 1/4"x45 3/4" (24x134x1162)

TIP:
INSTALL T-NUTS IN WOOD FIRST



STEP 7 - FORT ASSEMBLY

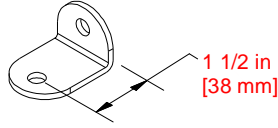
QTY	PART NUMBER	DESCRIPTION
4	H100197	LAG SCREW WH 5/16x2-1/2 BLK
3	H100198	WASHER LOCK EXT 8x19 BLK



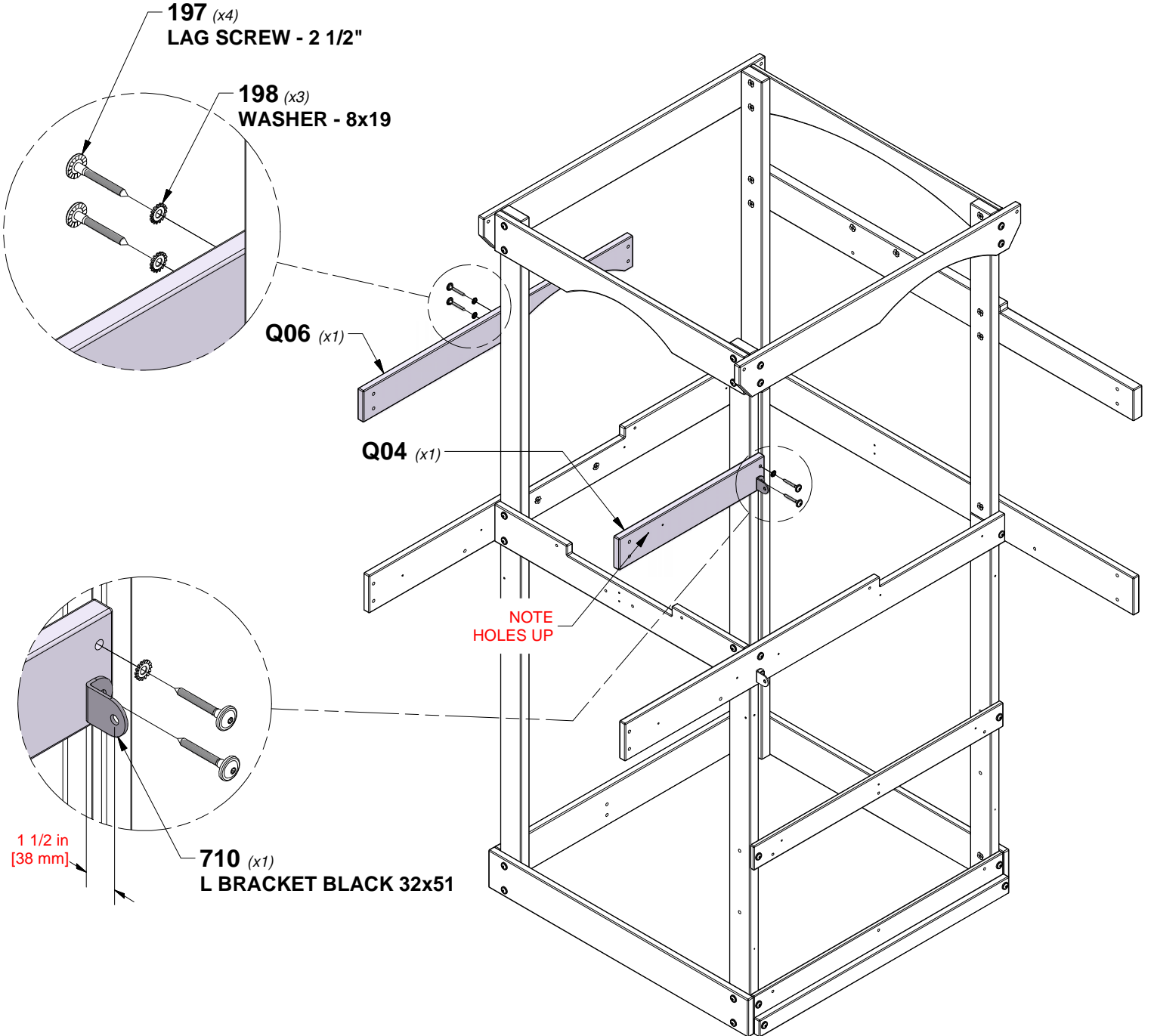
Q06 ARCHED WALL RAIL - W4L19077
(x1) 1"x4 3/8"x43 7/8" (24x112x1113)



Q04 WALL RAIL - W4L19093
(x1) 1"x4 3/8"x23 5/8" (24x112x600)



A4M00710 L BRACKET
(x1) BLACK 32x51



STEP 8 - FORT ASSEMBLY

QTY	PART NUMBER	DESCRIPTION
8	H100197	LAG SCREW WH 5/16x2-1/2 BLK
16	H100198	WASHER LOCK EXT 8x19 BLK
8	H100205	BOLT WH 5/16x2-1/4 BLK
8	H100379	T-NUT 5/16 BLK

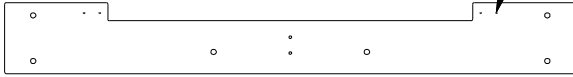


F01 RIGHT BALCONY UPRIGHT - W4L19095
(x1) 1 3/8"x2 3/8"x31 3/4" (36x60x805)

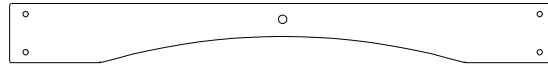


F02 LEFT BALCONY UPRIGHT - W4L19096
(x1) 1 3/8"x2 3/8"x31 3/4" (36x60x805)

PILOT HOLES INWARD WHEN INSTALLED

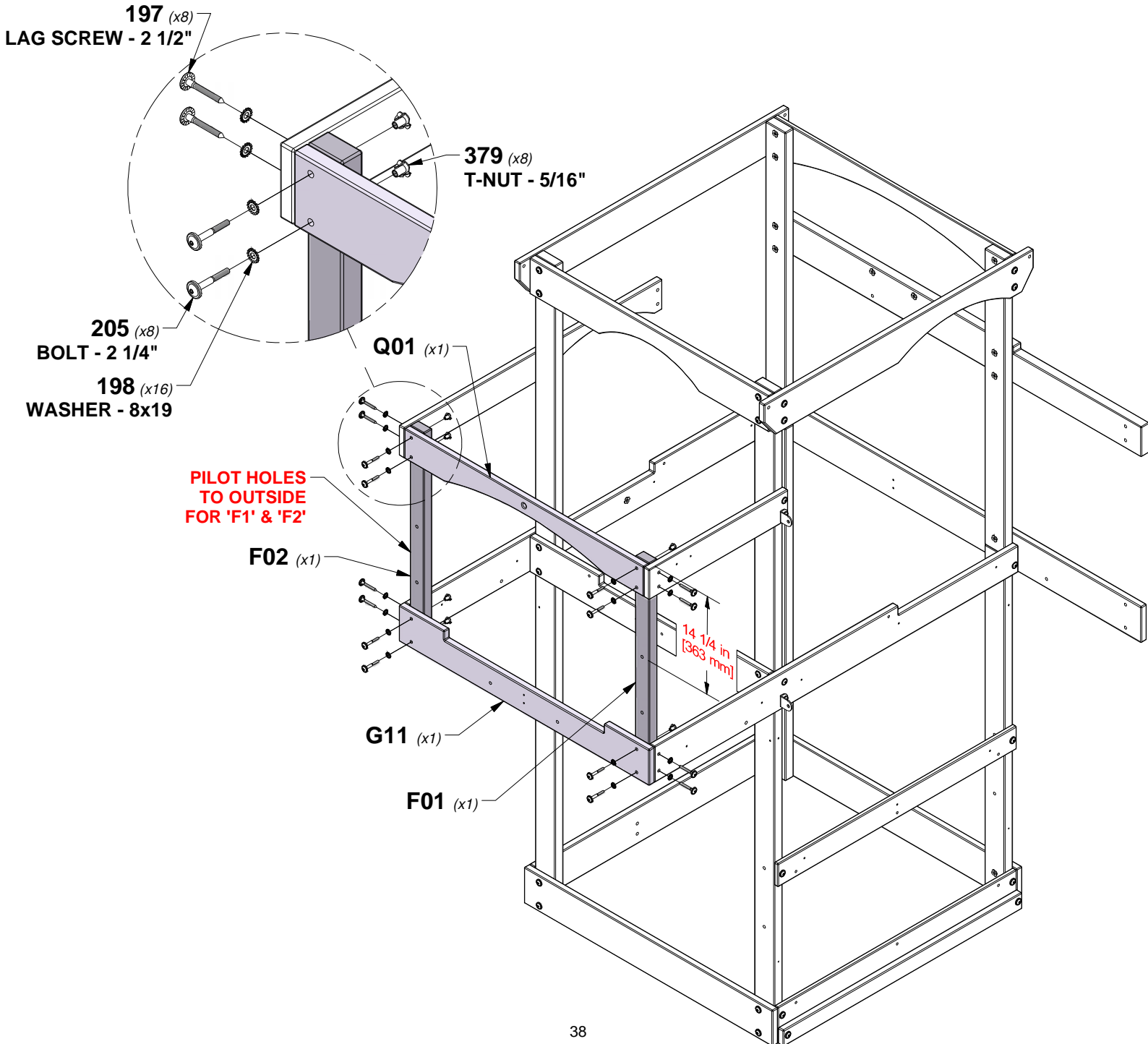


G11 LEFT SIDE WALL BOARD - W4L19069
(x1) 1"x5 1/4"x42 1/2" (24x134x1080)

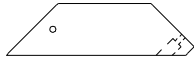


Q01 ARCHED WALL RAIL - W4L19081
(x1) 1"x4 3/8"x40 5/8" (24x112x1032)

TIP:
INSTALL T-NUTS IN WOOD FIRST



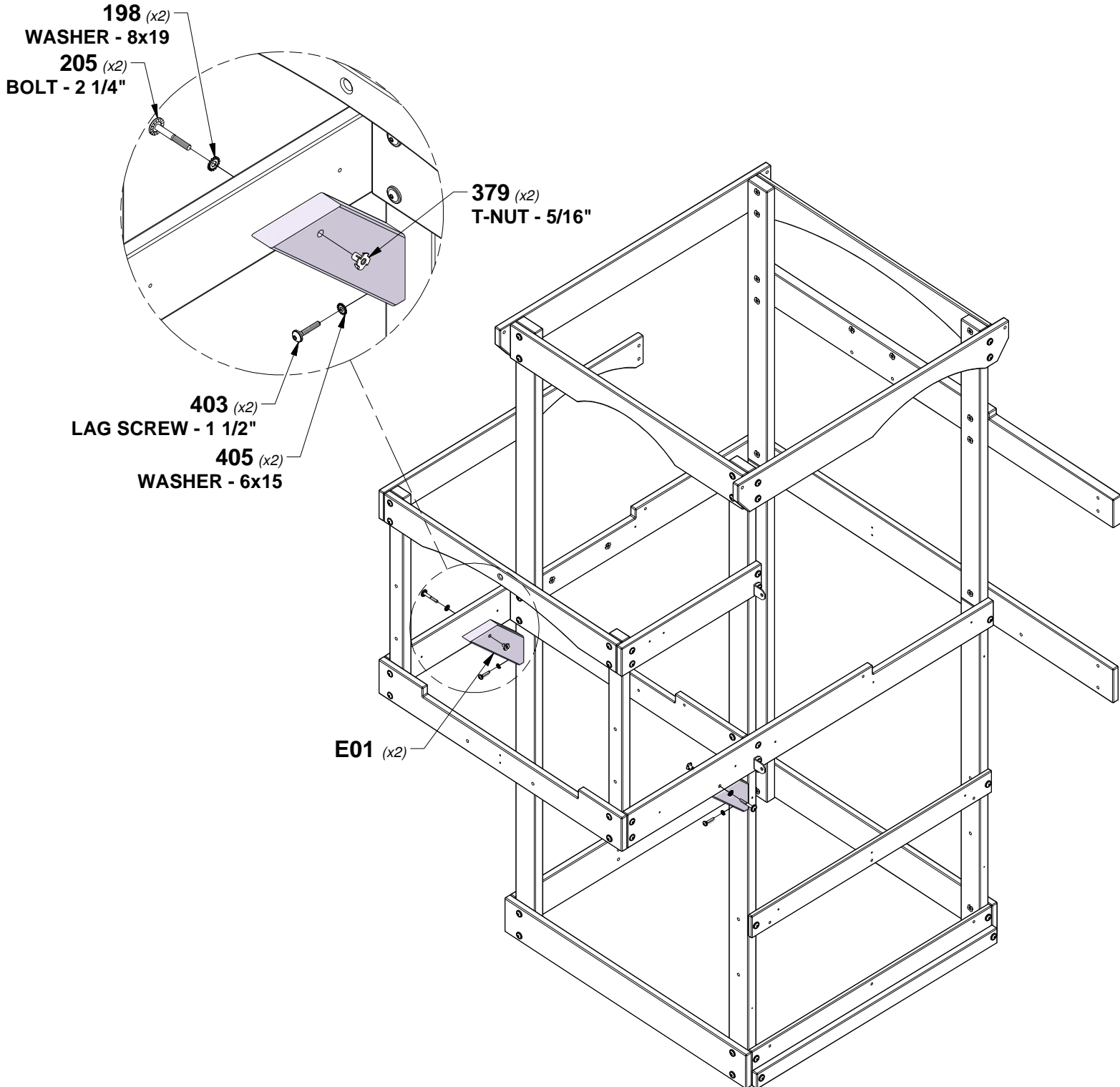
STEP 9 - FORT ASSEMBLY



E01 DECK BRACE - W4L19292
 (x2) 1 3/8"x3 3/8"x12 1/4" (36x86x311)

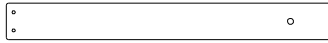
QTY	PART NUMBER	DESCRIPTION
2	H100198	WASHER LOCK EXT 8x19 BLK
2	H100205	BOLT WH 5/16x2-1/4 BLK
2	H100379	T-NUT 5/16 BLK
2	H100403	LAG SCREW WH 1/4x1-1/2 BLK
2	H100405	WASHER LOCK EXT 6x15 BLK

TIP:
INSTALL T-NUTS IN WOOD FIRST



STEP 10 - FORT ASSEMBLY

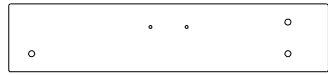
QTY	PART NUMBER	DESCRIPTION
2	H100192	NUT BARREL WH 5/16x7/8 BLK
2	H100199	WASHER LOCK EXT 12x19 BLK
4	H100382	SCREW PFH 8x1 3/4 BLK
2	H100396	BOLT WH 5/16x1/2 BLK



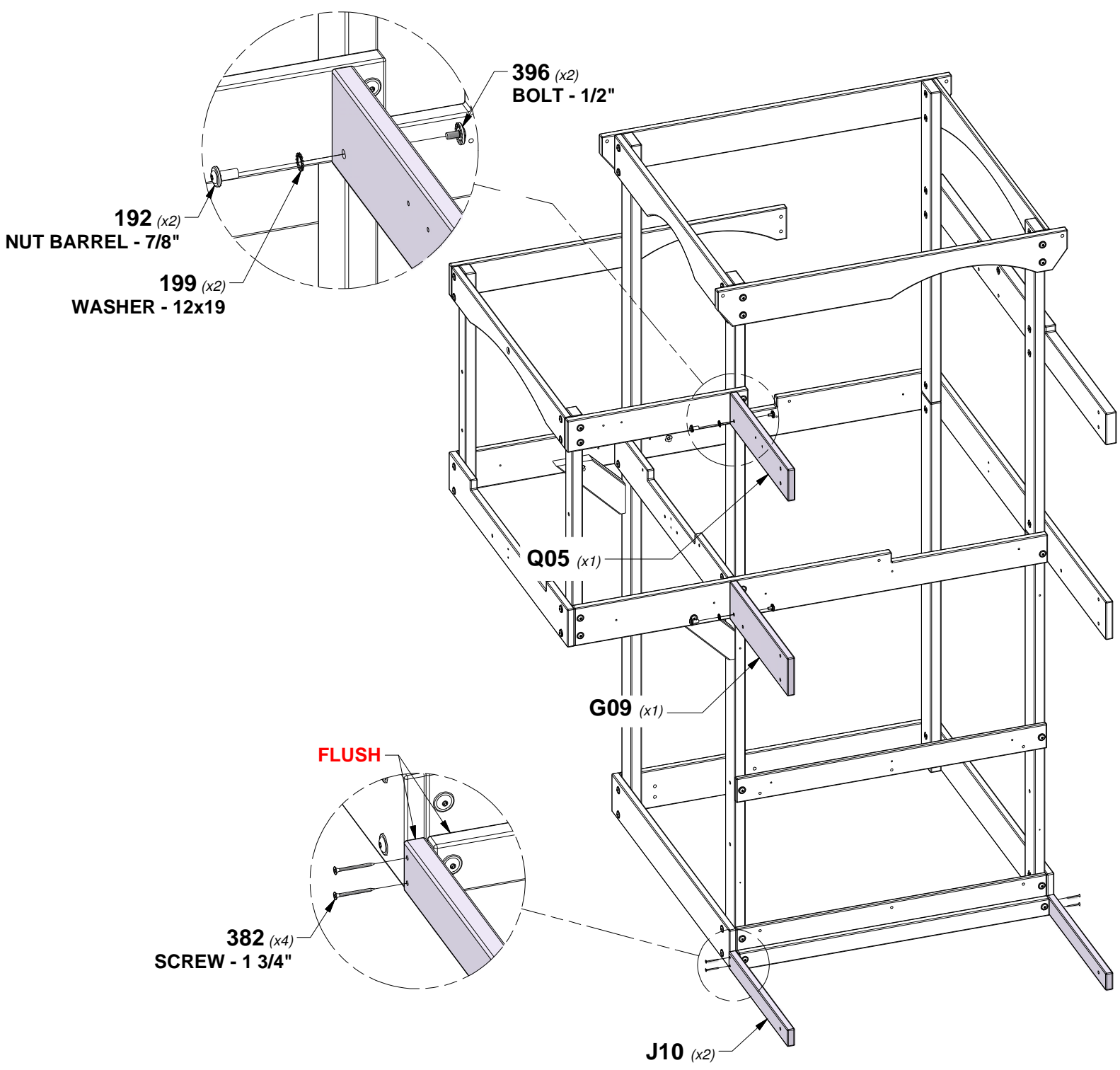
J10 PORCH GROUND BOARD - W4L19091
(x2) 1"x2 3/8"x21 1/8" (24x60x537)



G09 LEFT BALCONY WALL RAIL - W4L19089
(x1) 1"x5 1/4"x20 3/4" (24x134x528)



Q05 WALL RAIL - W4L19094
(x1) 1"x4 3/8"x20 7/8" (24x112x529)

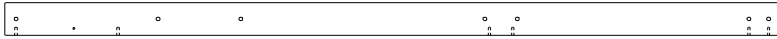


STEP 11 - FORT ASSEMBLY

QTY	PART NUMBER	DESCRIPTION
2	H100195	BOLT WH 5/16x2-3/4 BLK
10	H100198	WASHER LOCK EXT 8x19 BLK
8	H100205	BOLT WH 5/16x2-1/4 BLK
10	H100379	T-NUT 5/16 BLK

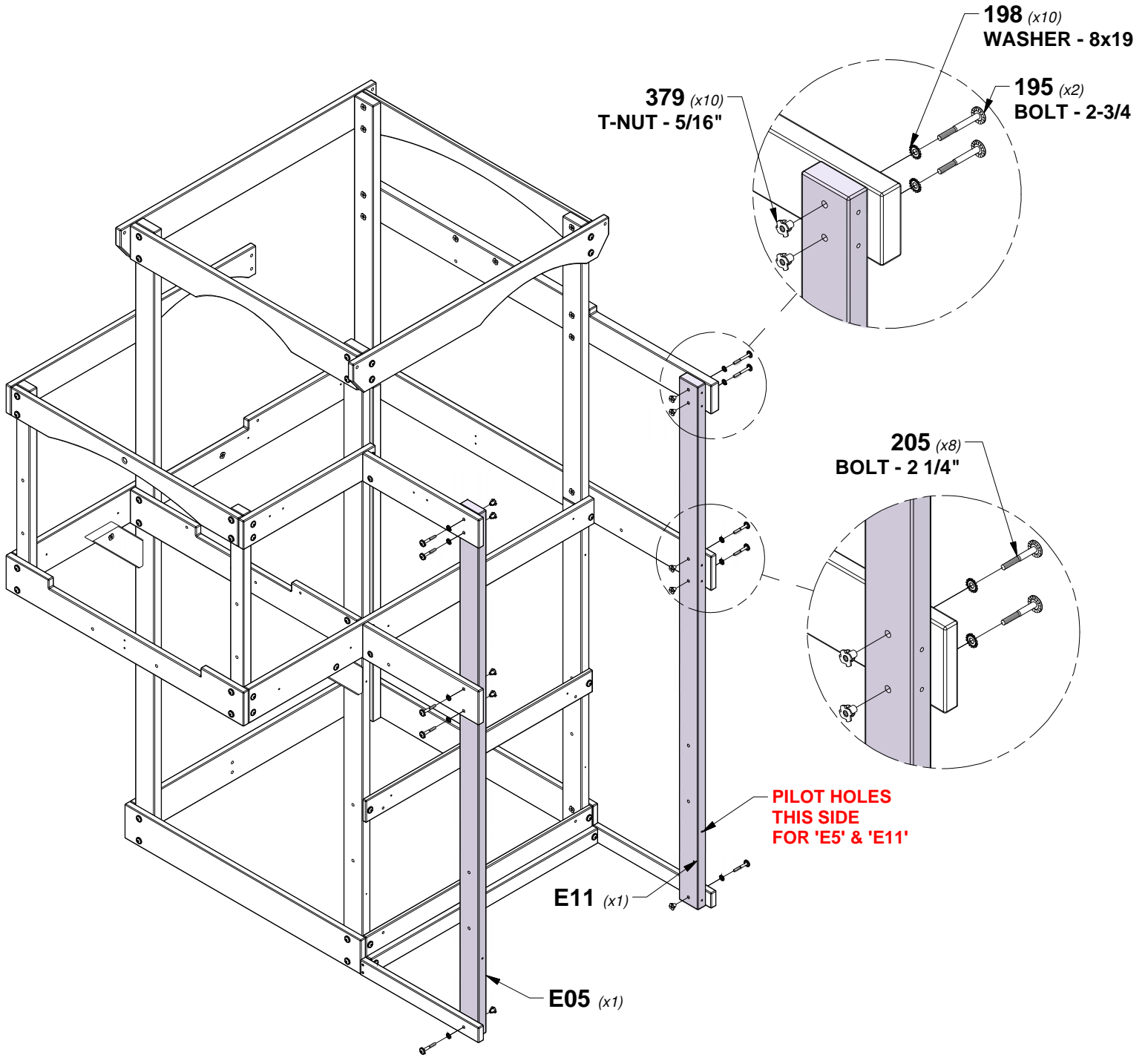


E05 RIGHT FRONT BALCONY UPRIGHT - W4L19297
 (x1) 1 3/8"x3 3/8"x80 3/4" (36x86x2052)



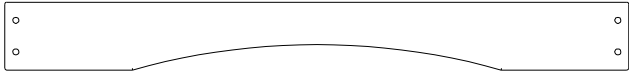
E11 RIGHT FRONT BALCONY UPRIGHT - W4L19298
 (x1) 1 3/8"x3 3/8"x80 3/4" (36x86x2052)

TIP:
INSTALL T-NUTS IN WOOD FIRST

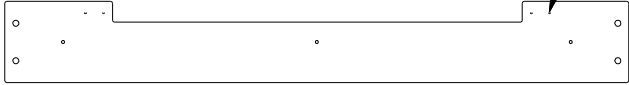


STEP 12 - FORT ASSEMBLY

QTY	PART NUMBER	DESCRIPTION
8	H100197	LAG SCREW WH 5/16x2-1/2 BLK
10	H100198	WASHER LOCK EXT 8x19 BLK
2	H100458	LAG SCREW WH 5/16x2 BLK

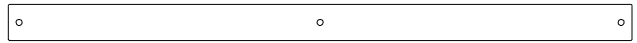


Q03 **ARCHED WALL RAIL - W4L19092**
 (x1) 1"x4 3/8"x40 5/8" (24x112x1032)

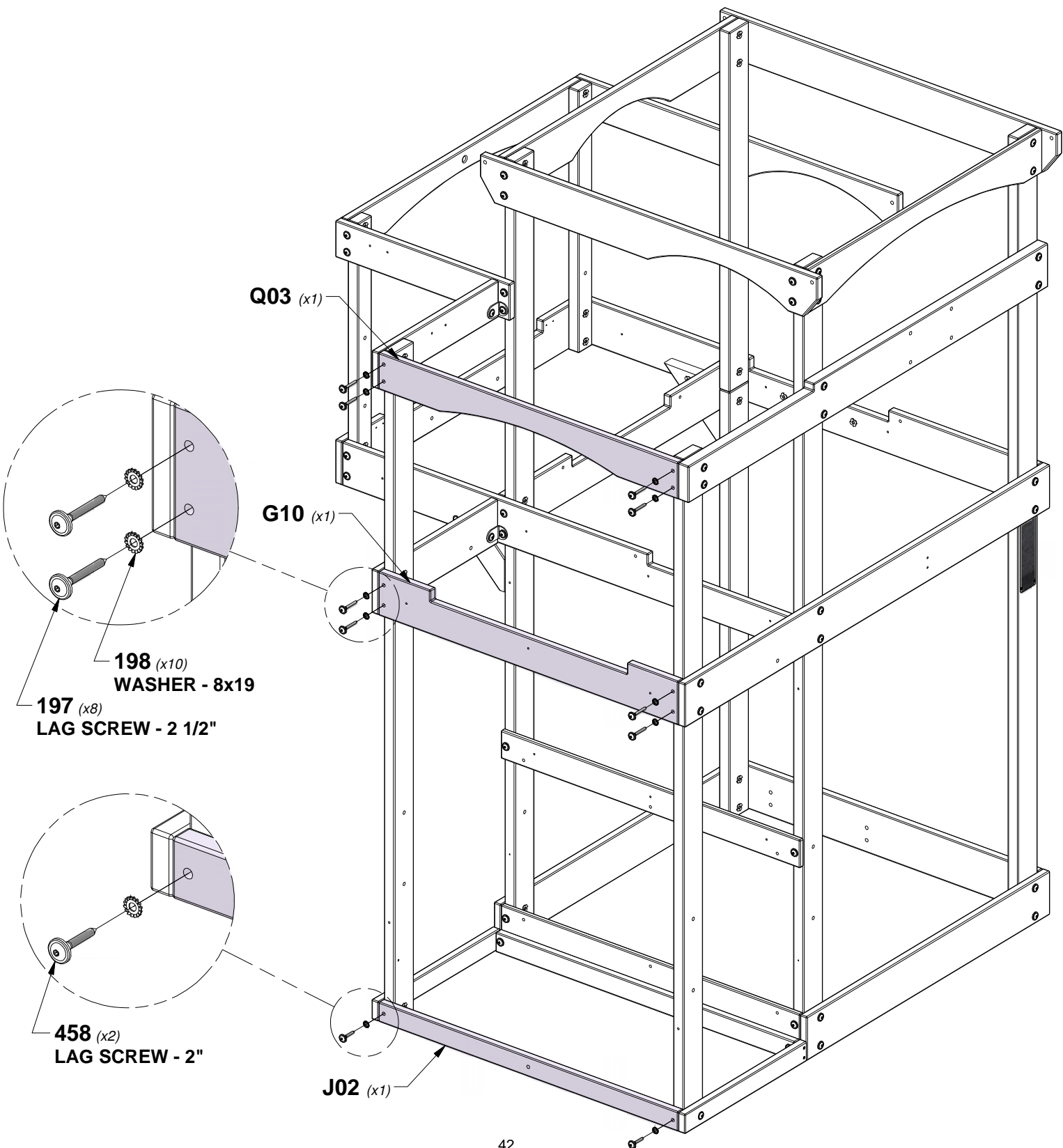


G10 **FRONT BALCONY WALL RAIL - W4L19090**
 (x1) 1"x5 1/4"x40 5/8" (24x134x1032)

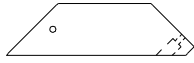
PILOT HOLES INWARD WHEN INSTALLED



J02 **PORCH GROUND BOARD - W4L19080**
 (x1) 1"x2 3/8"x40 5/8" (24x60x1032)



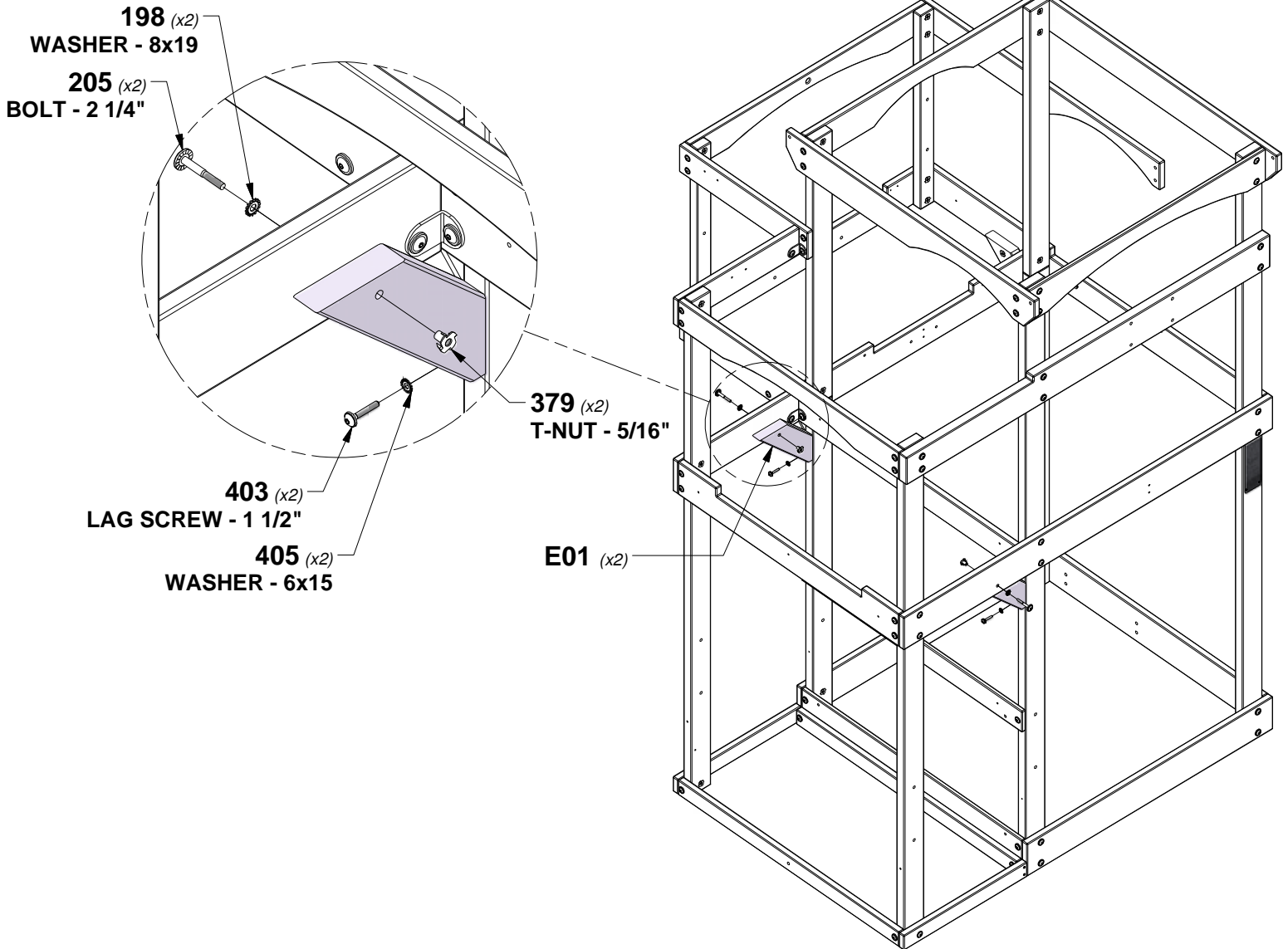
STEP 13 - FORT ASSEMBLY



E01 DECK BRACE - W4L19292
 (x2) 1 3/8"x3 3/8"x12 1/4" (36x86x311)

QTY	PART NUMBER	DESCRIPTION
2	H100198	WASHER LOCK EXT 8x19 BLK
2	H100205	BOLT WH 5/16x2-1/4 BLK
2	H100379	T-NUT 5/16 BLK
2	H100403	LAG SCREW WH 1/4x1-1/2 BLK
2	H100405	WASHER LOCK EXT 6x15 BLK

TIP:
INSTALL T-NUTS IN WOOD FIRST



STEP 14 - FORT ASSEMBLY

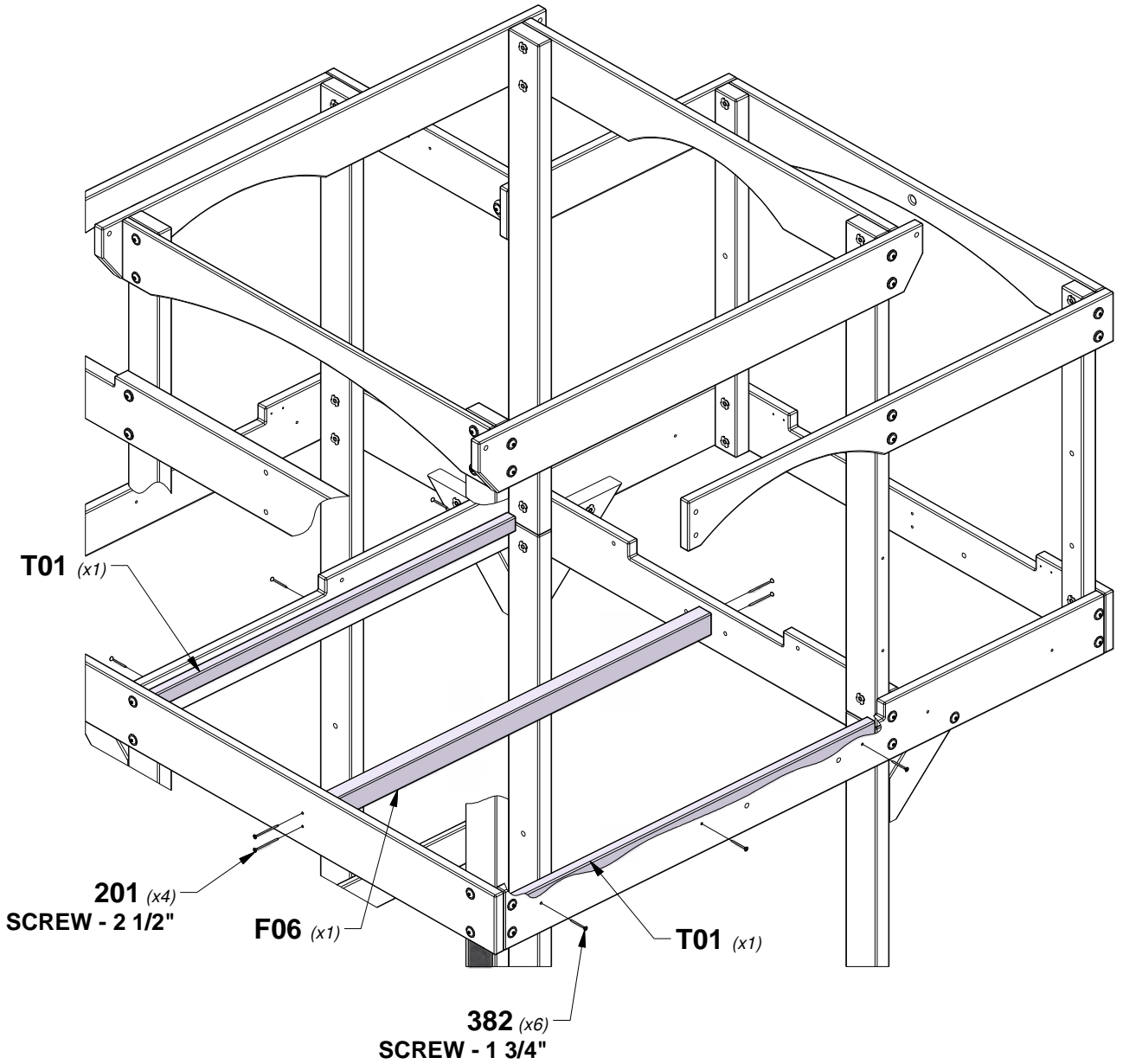
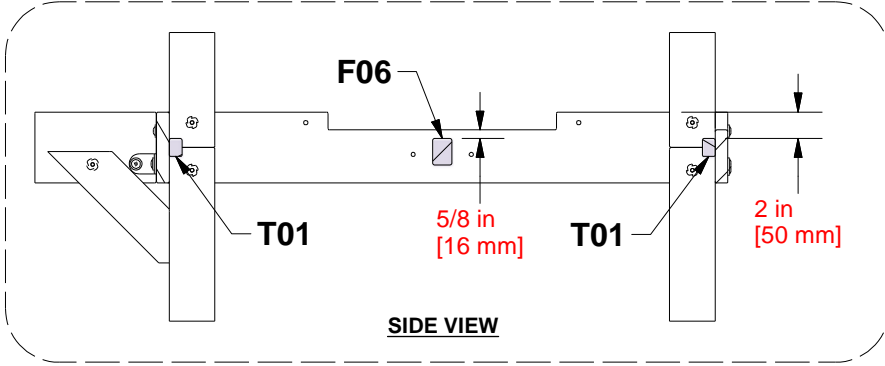
QTY	PART NUMBER	DESCRIPTION
4	H100201	SCREW PFH 8x2-1/2 BLK
6	H100382	SCREW PFH 8x1 3/4 BLK



F06 FLOOR JOIST - W4L19040
 (x1) 1 3/8"x2"x40 1/2" (36x50x1030)



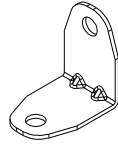
T01 SUPPORT BOARD - W4L19037
 (x2) 1"x1 3/8"x37 5/8" (24x34x957)



STEP 15 - FORT ASSEMBLY

QTY	PART NUMBER	DESCRIPTION
2	H100171	BOLT WH 1/4x1 BLK
2	H100201	SCREW PFH 8x2-1/2 BLK
4	H100382	SCREW PFH 8x1 3/4 BLK
2	H100398	T-NUT 1/4 BLK
1	H100399	NUT BARREL WH 1/4x7/8 BLK
1	H100401	BOLT WH 1/4x1/2 BLK

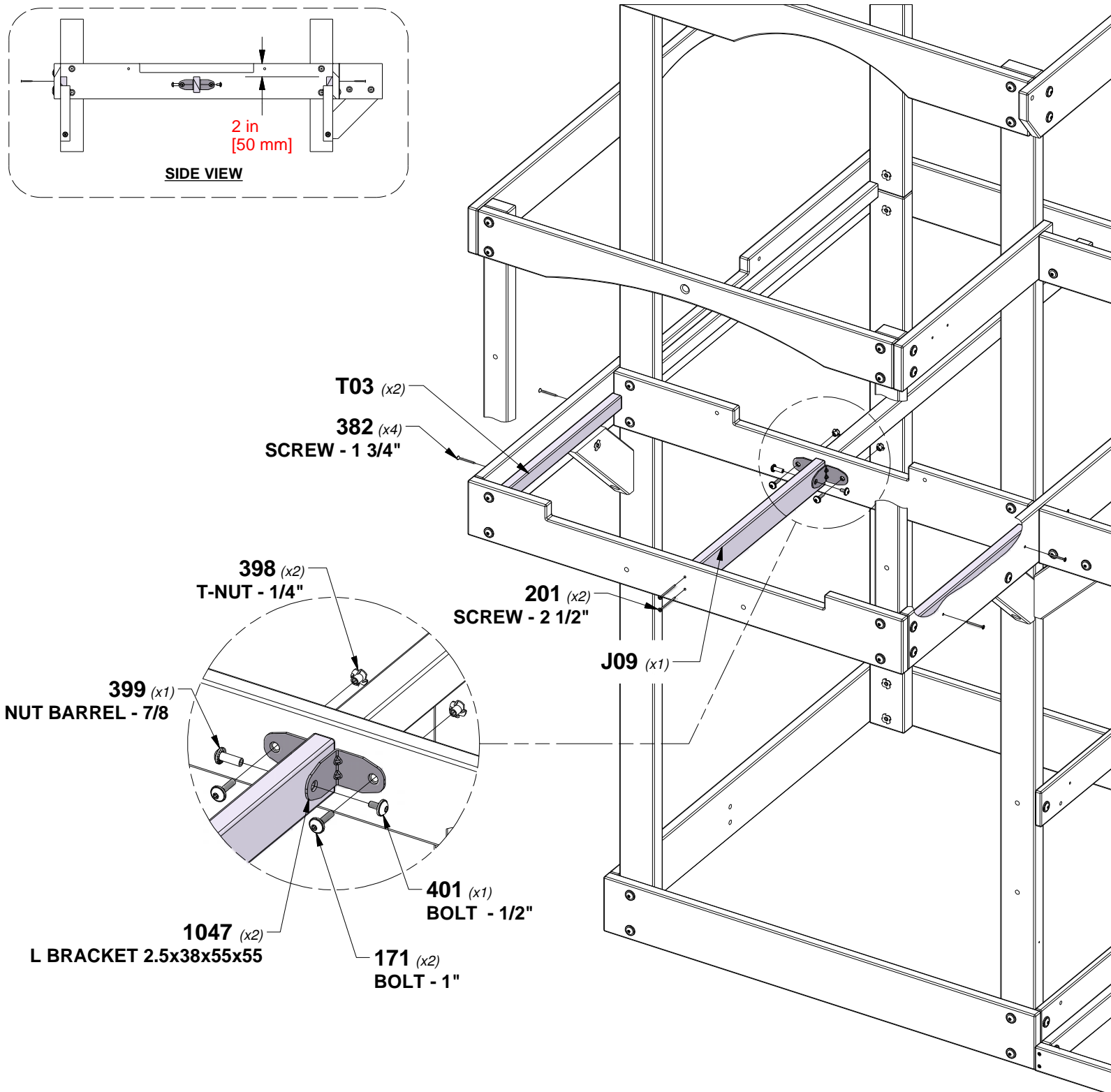
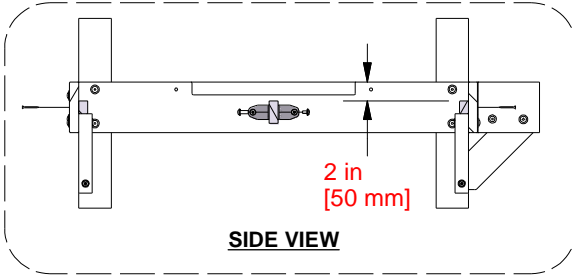
J09 FLOOR JOIST - W4L19057
(x1) 1"x2 3/8"x20 1/4" (24x60x515)



A4M01047 L BRACKET
(x2) 2.5x38x55x55

T03 SUPPORT BOARD - W4L19039
(x2) 1"x1 3/8"x18 3/4" (24x34x477)

TIP:
INSTALL T-NUTS IN WOOD FIRST



STEP 16 - FORT ASSEMBLY

QTY	PART NUMBER	DESCRIPTION
56	H100200	SCREW PFH 8x1-1/2 BLK

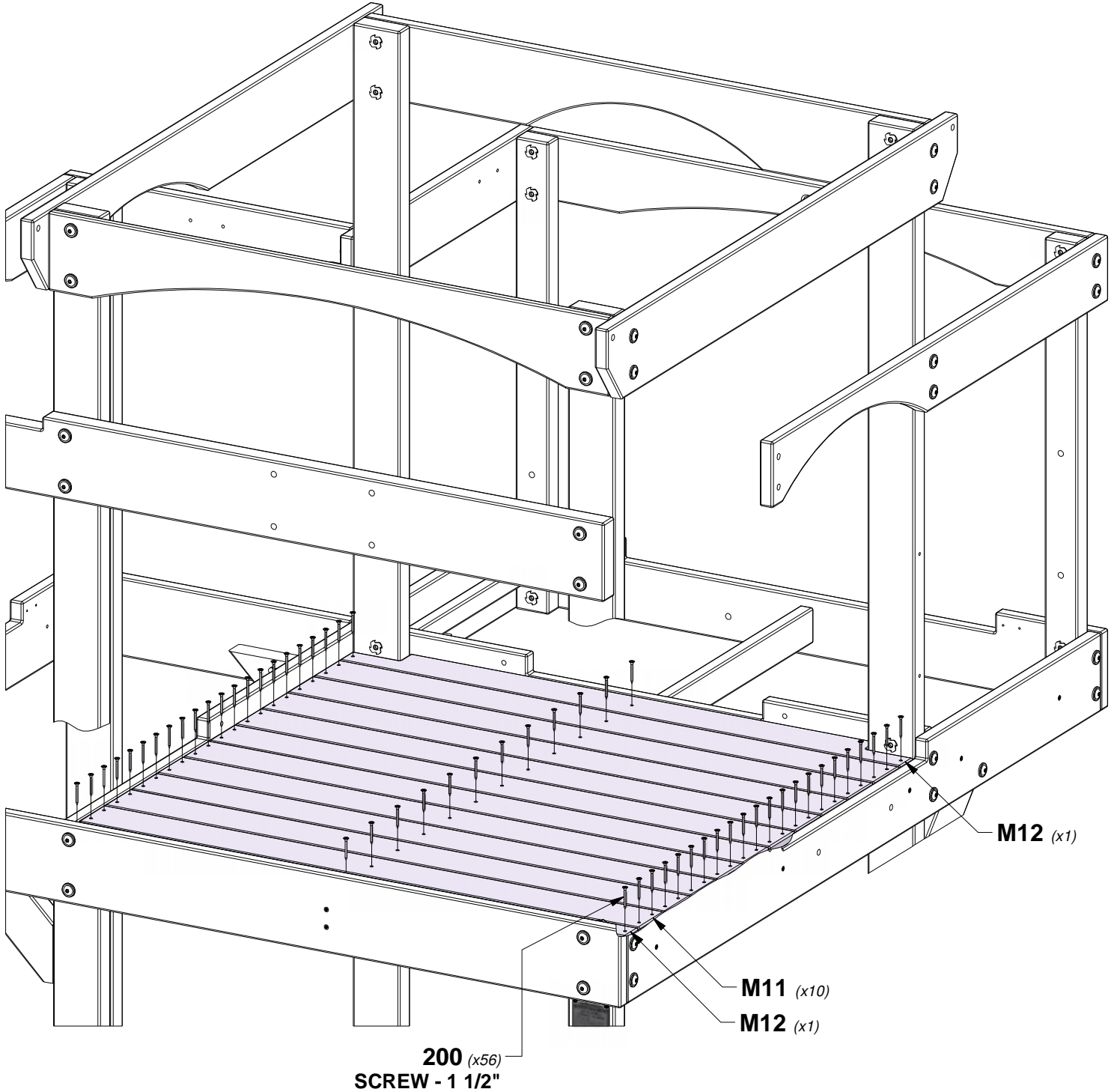


M11 FLOOR BOARD - W4L19052
(x10) 5/8"x3 3/8"x40 5/8" (16x86x1031)



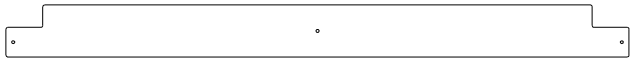
M12 FLOOR BOARD - W4L19058
(x2) 5/8"x3 1/4"x40 5/8" (16x82x1031)

TIP:
PLACE BOARDS EVENLY
BEFORE INSERTING SCREWS



STEP 17 - FORT ASSEMBLY

QTY	PART NUMBER	DESCRIPTION
28	H100200	SCREW PFH 8x1-1/2 BLK

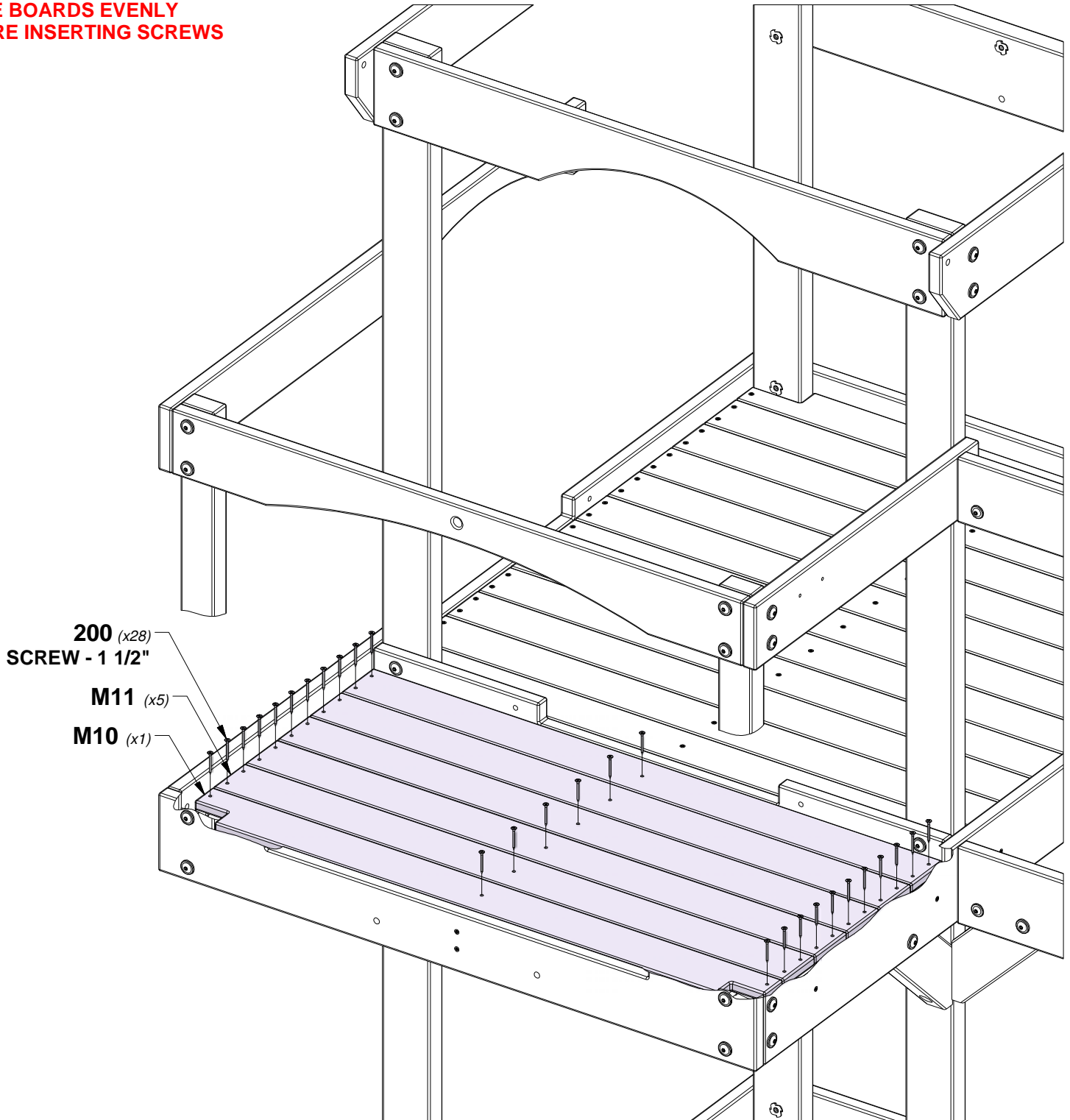


M10 FLOOR BOARD - W4L19043
(x1) 5/8"x3 3/8"x40 5/8" (16x86x1031)



M11 FLOOR BOARD - W4L19052
(x5) 5/8"x3 3/8"x40 5/8" (16x86x1031)

TIP:
PLACE BOARDS EVENLY
BEFORE INSERTING SCREWS

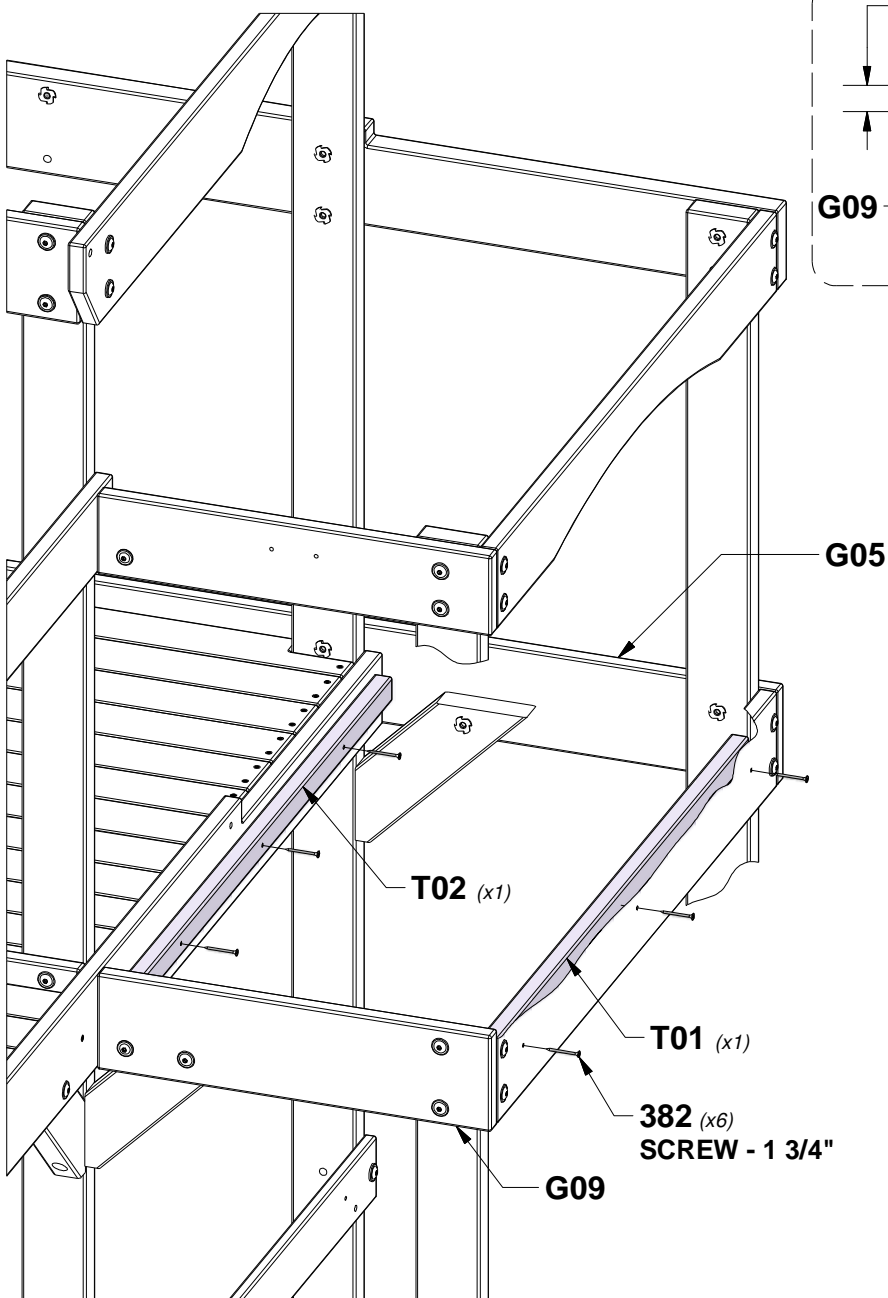
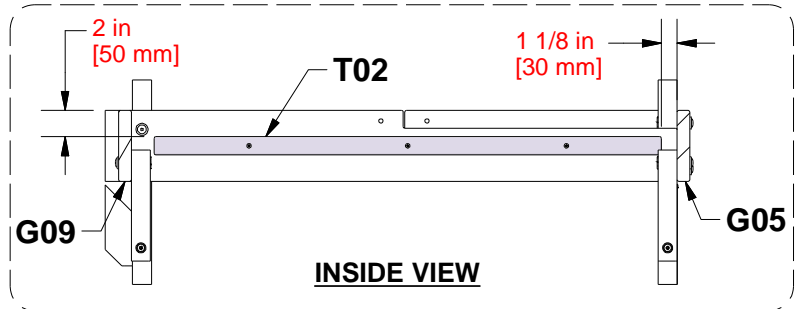
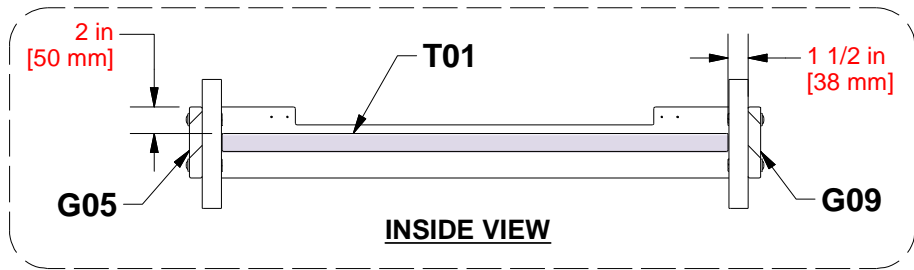


STEP 18 - FORT ASSEMBLY

QTY	PART NUMBER	DESCRIPTION
6	H100382	SCREW PFH 8x1 3/4 BLK

T01 SUPPORT BOARD - W4L19037
 (x1) 1"x1 3/8"x37 5/8" (24x34x957)

T02 SUPPORT BOARD - W4L19038
 (x1) 1"x1 3/8"x37 3/4" (24x34x959)



STEP 19 - FORT ASSEMBLY

QTY	PART NUMBER	DESCRIPTION
44	H100200	SCREW PFH 8x1-1/2 BLK



M08 FLOOR BOARD - W4L19056
(x1) 5/8"x3 1/4"x19 7/8" (16x82x504)

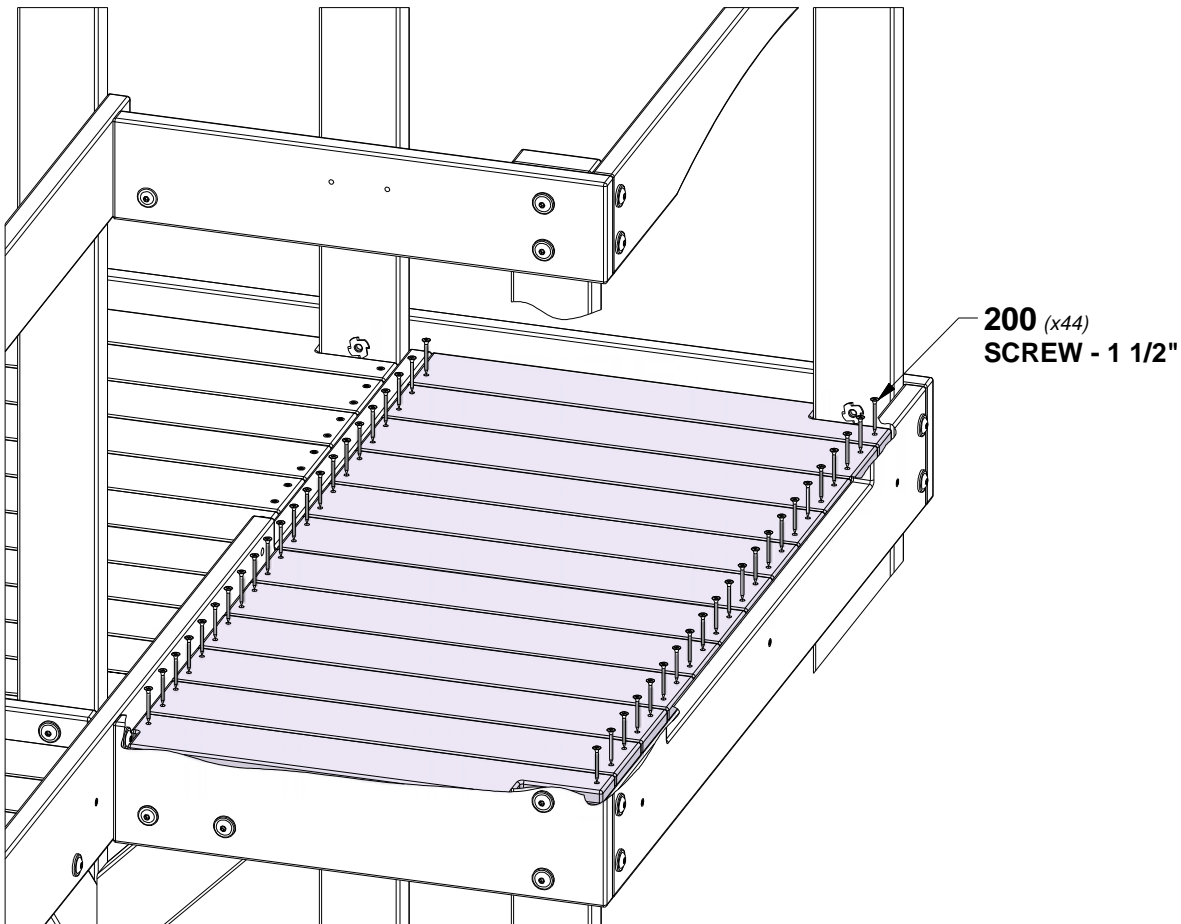
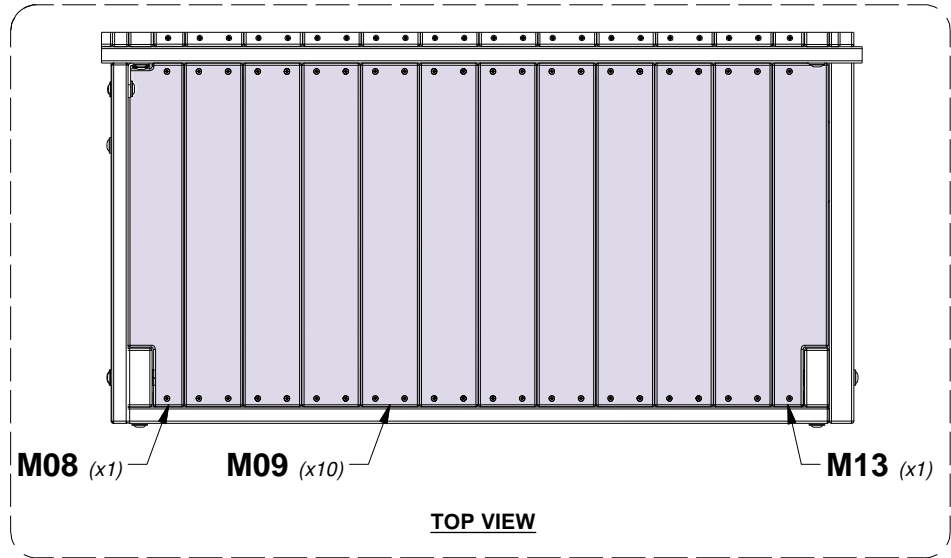


M09 FLOOR BOARD - W4L19051
(x10) 5/8"x3 3/8"x19 7/8" (16x86x504)



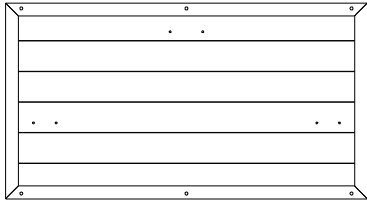
M13 FLOOR BOARD - W4L19055
(x1) 5/8"x3 1/4"x19 7/8" (16x82x504)

TIP:
PLACE BOARDS EVENLY
BEFORE INSERTING SCREWS

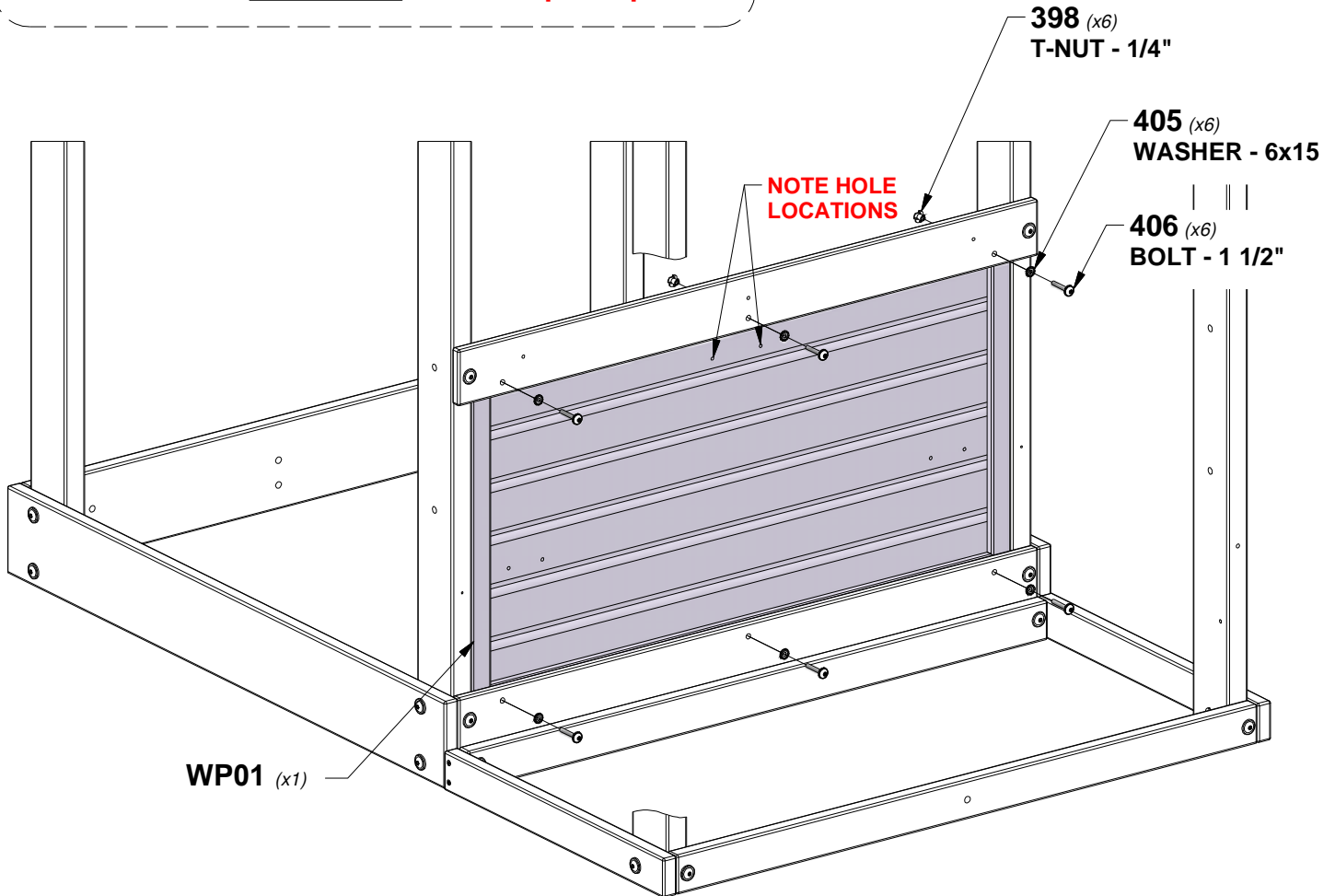
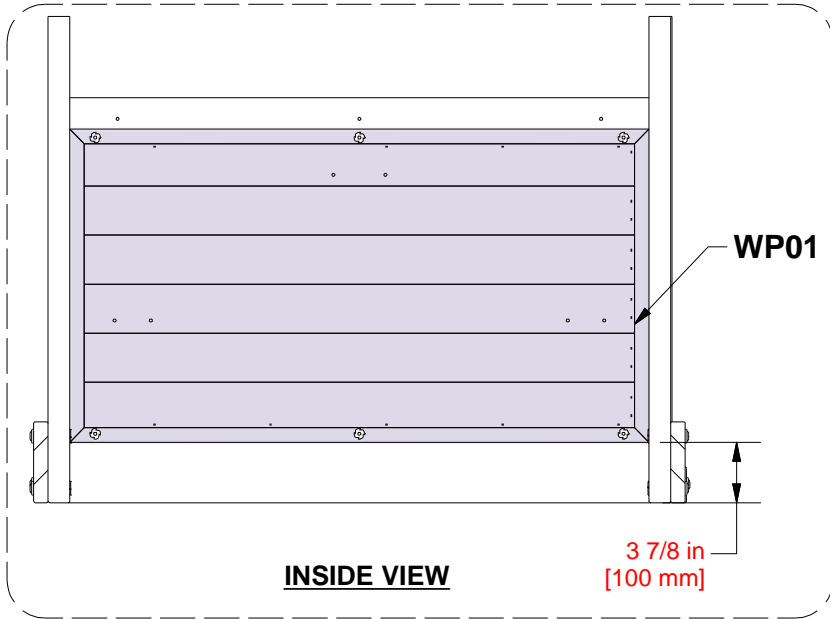


STEP 20 - FORT ASSEMBLY

QTY	PART NUMBER	DESCRIPTION
6	H100398	T-NUT 1/4 BLK
6	H100405	WASHER LOCK EXT 6x15 BLK
6	H100406	BOLT WH 1/4x1 1/2 BLK



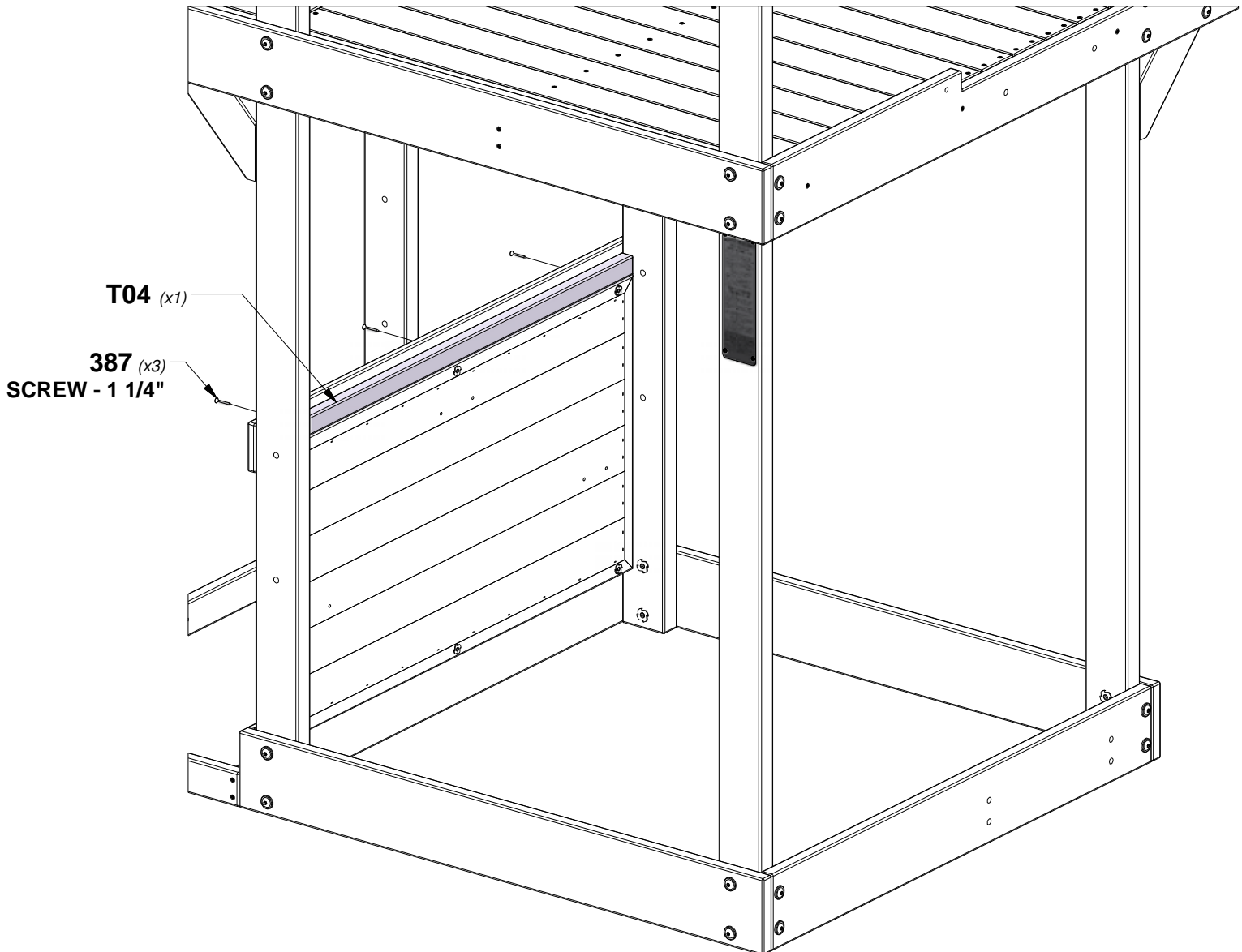
WP01 WALL PANEL - W2A04102
 (x1) 1"x20 3/8"x37 3/4" (24x517x958)



STEP 21 - FORT ASSEMBLY

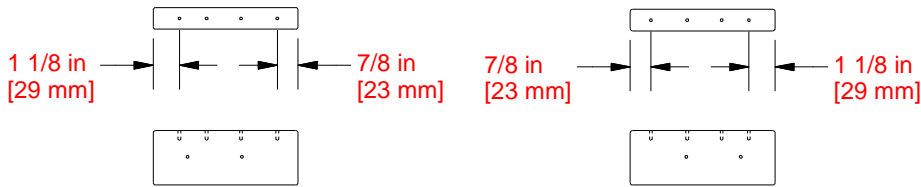
QTY	PART NUMBER	DESCRIPTION
3	H100387	SCREW PFH 8x1-1/4 BLK

T04 SUPPORT BOARD - W4L19045
(x1) 1"x1 3/8"x37 3/4" (24x34x958)



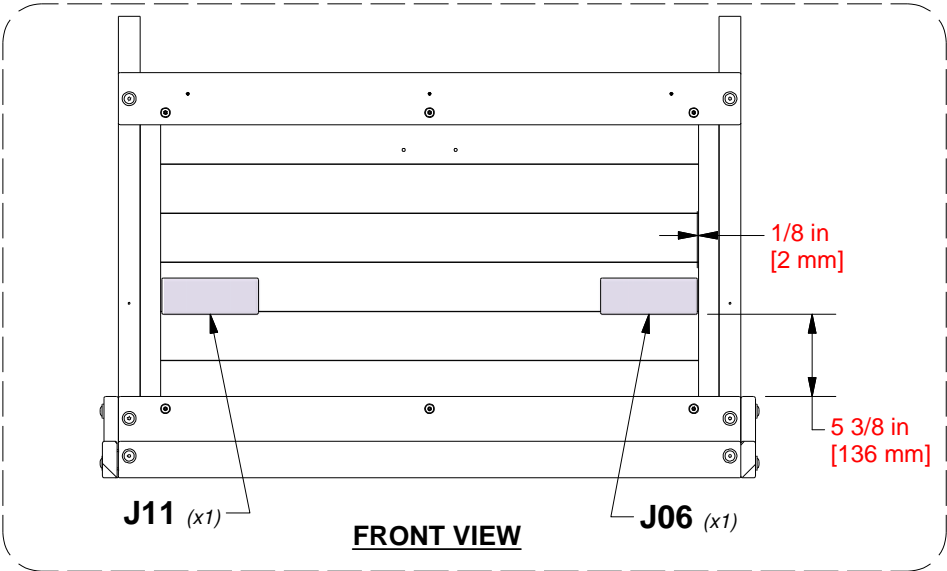
STEP 22 - FORT ASSEMBLY

QTY	PART NUMBER	DESCRIPTION
4	H100387	SCREW PFH 8x1-1/4 BLK

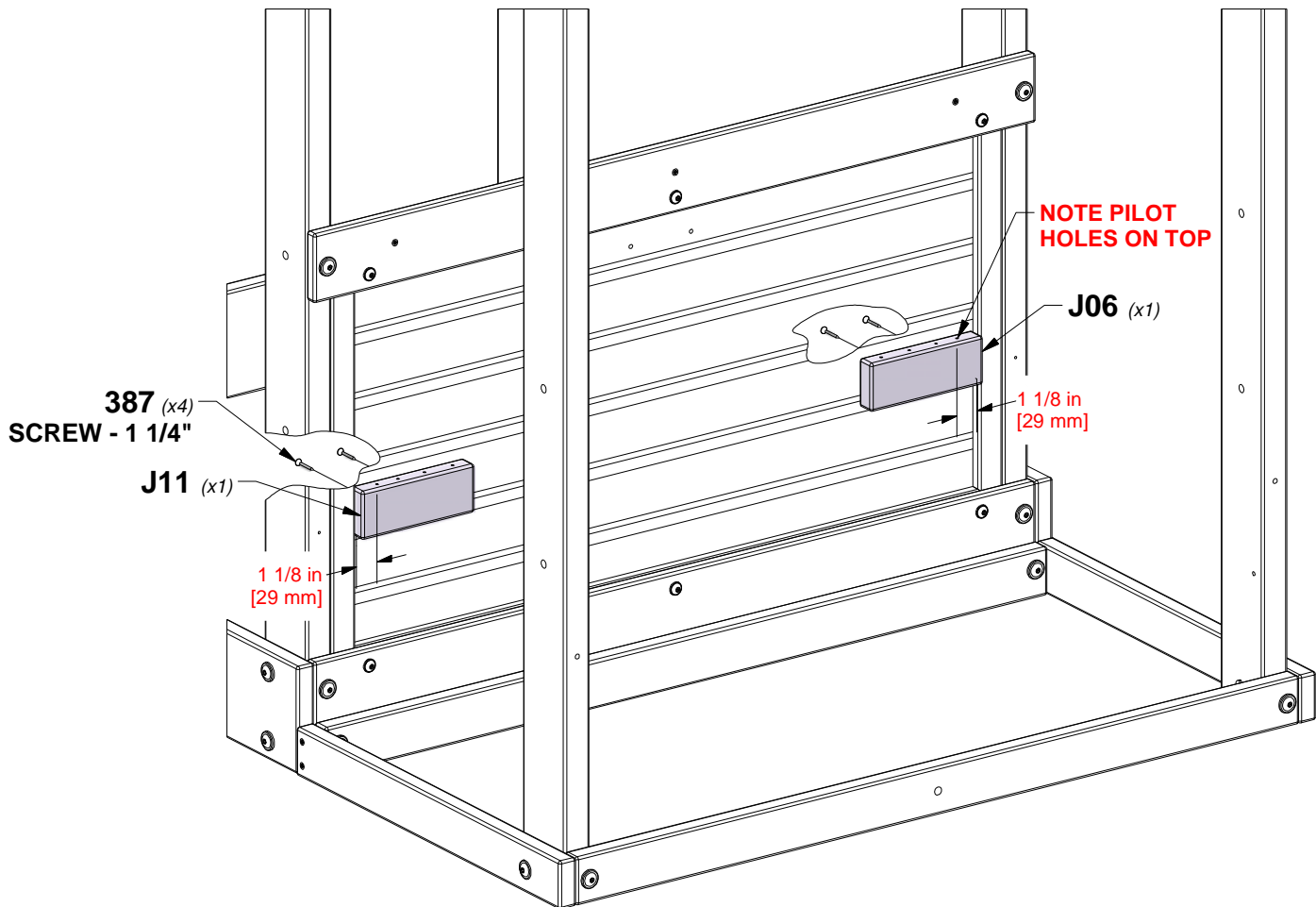


J06 SUPPORT BLOCK - W4L19099
 (x1) 1"x2 3/8"x6 1/4" (24x60x160)

J11 SUPPORT BLOCK - W4L19100
 (x1) 1"x2 3/8"x6 1/4" (24x60x160)



TIP:
 ALIGN PILOT HOLES IN WALL PANEL TO
 PILOT HOLES IN (J) BOARDS.



STEP 23 - FORT ASSEMBLY

QTY	PART NUMBER	DESCRIPTION
1	H100195	BOLT WH 5/16x2-3/4 BLK
1	H100198	WASHER LOCK EXT 8x19 BLK
1	H100379	T-NUT 5/16 BLK

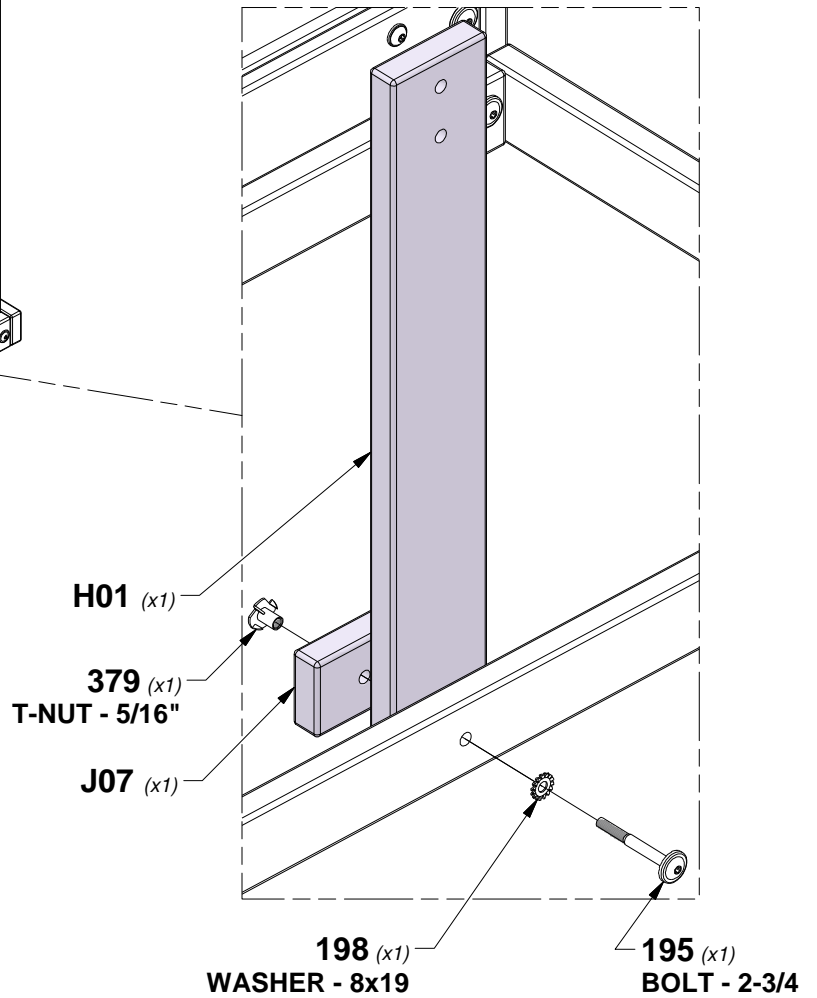
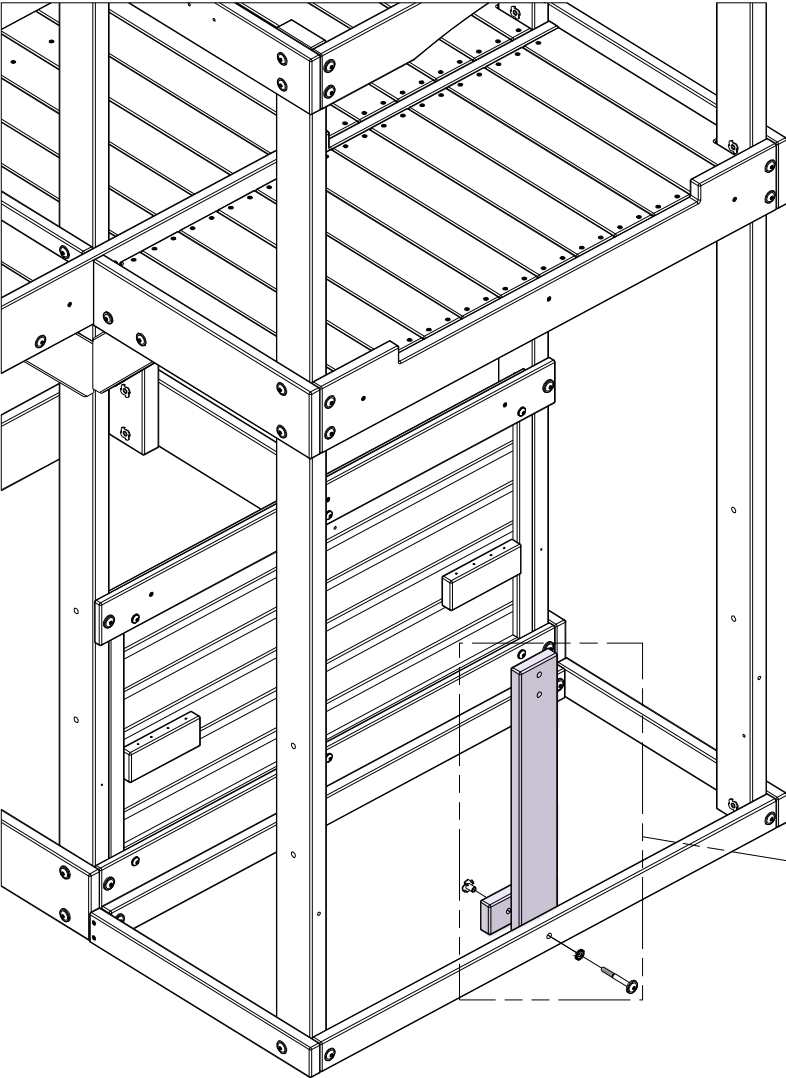


H01 TABLE SUPPORT - W4L19083
(x1) 1"x3 3/8"x22 3/8" (24x86x567)



J07 SUPPORT BLOCK - W4L19084
(x1) 1"x2 3/8"x3 3/8" (24x60x86)

TIP:
INSTALL T-NUTS IN WOOD FIRST

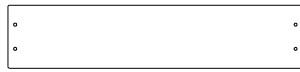


STEP 24 - FORT ASSEMBLY

QTY	PART NUMBER	DESCRIPTION
42	H100200	SCREW PFH 8x1-1/2 BLK



K17 FLOOR BOARD - W4L19053
(x2) 5/8"x5 1/4"x21 1/8" (16x134x537)

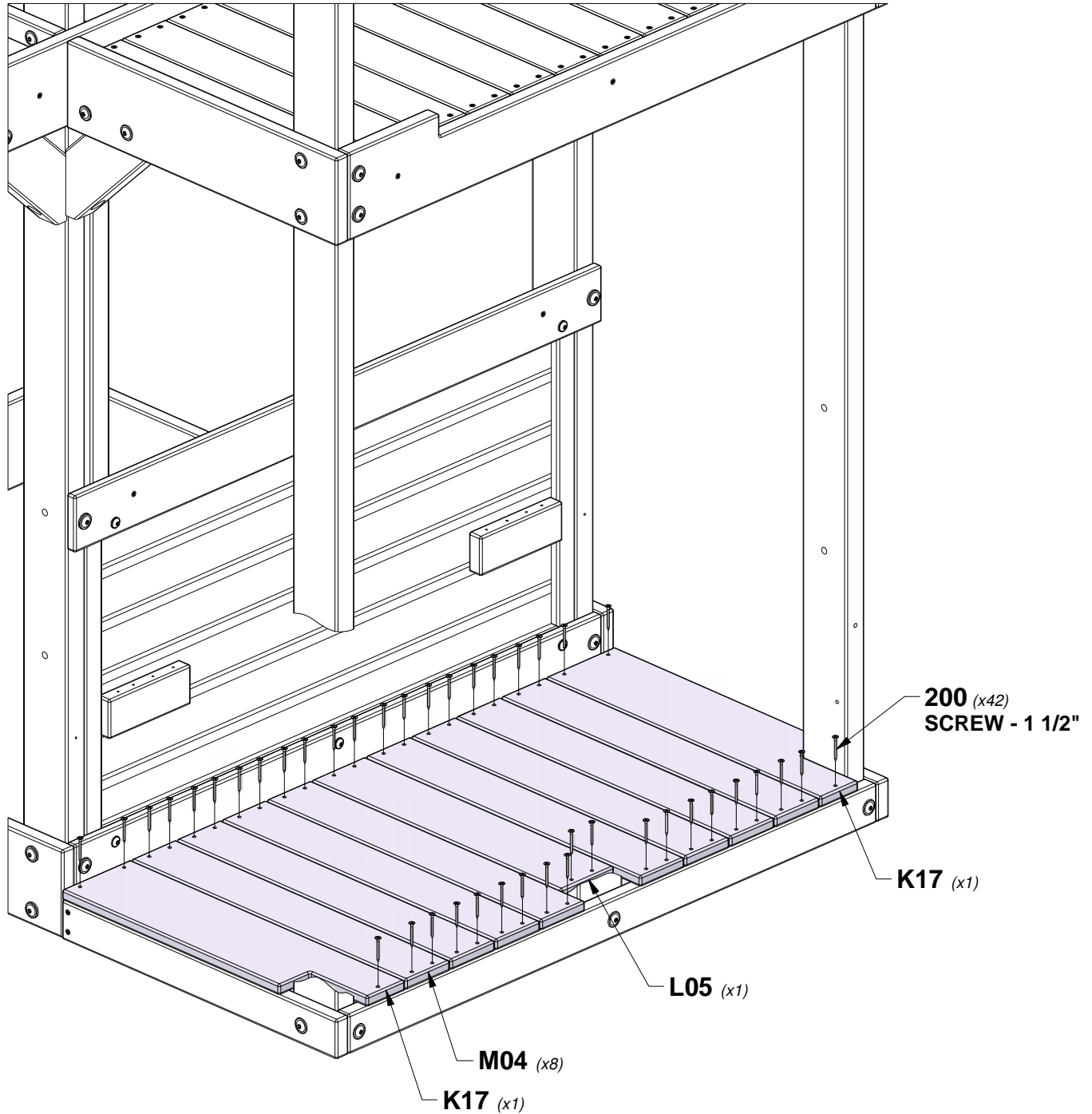


L05 FLOOR BOARD - W4L19054
(x1) 5/8"x4 1/8"x19 1/4" (16x104x488)



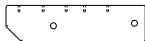
M04 FLOOR BOARD - W4L19036
(x8) 5/8"x3 3/8"x21 1/8" (16x86x537)

TIP:
PLACE BOARDS EVENLY
BEFORE INSERTING SCREWS



STEP 25 - FORT ASSEMBLY

QTY	PART NUMBER	DESCRIPTION
4	H100198	WASHER LOCK EXT 8x19 BLK
2	H100205	BOLT WH 5/16x2-1/4 BLK
2	H100379	T-NUT 5/16 BLK
4	H100382	SCREW PFH 8x1 3/4 BLK
2	H100405	WASHER LOCK EXT 6x15 BLK
2	H100458	LAG SCREW WH 5/16x2 BLK
2	H100487	LAG SCREW WH 1/4x2 BLK



J03 BENCH SUPPORT - W4L19301
(x2) 1"x2 3/8"x9" (24x60x230)

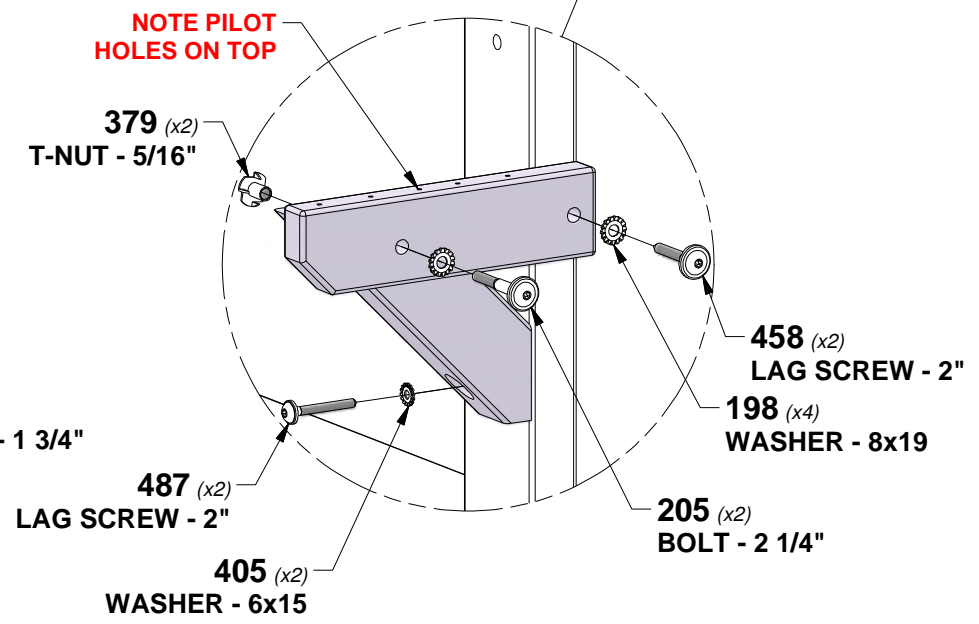
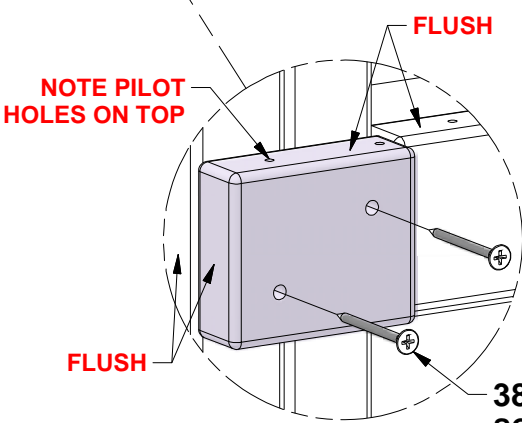
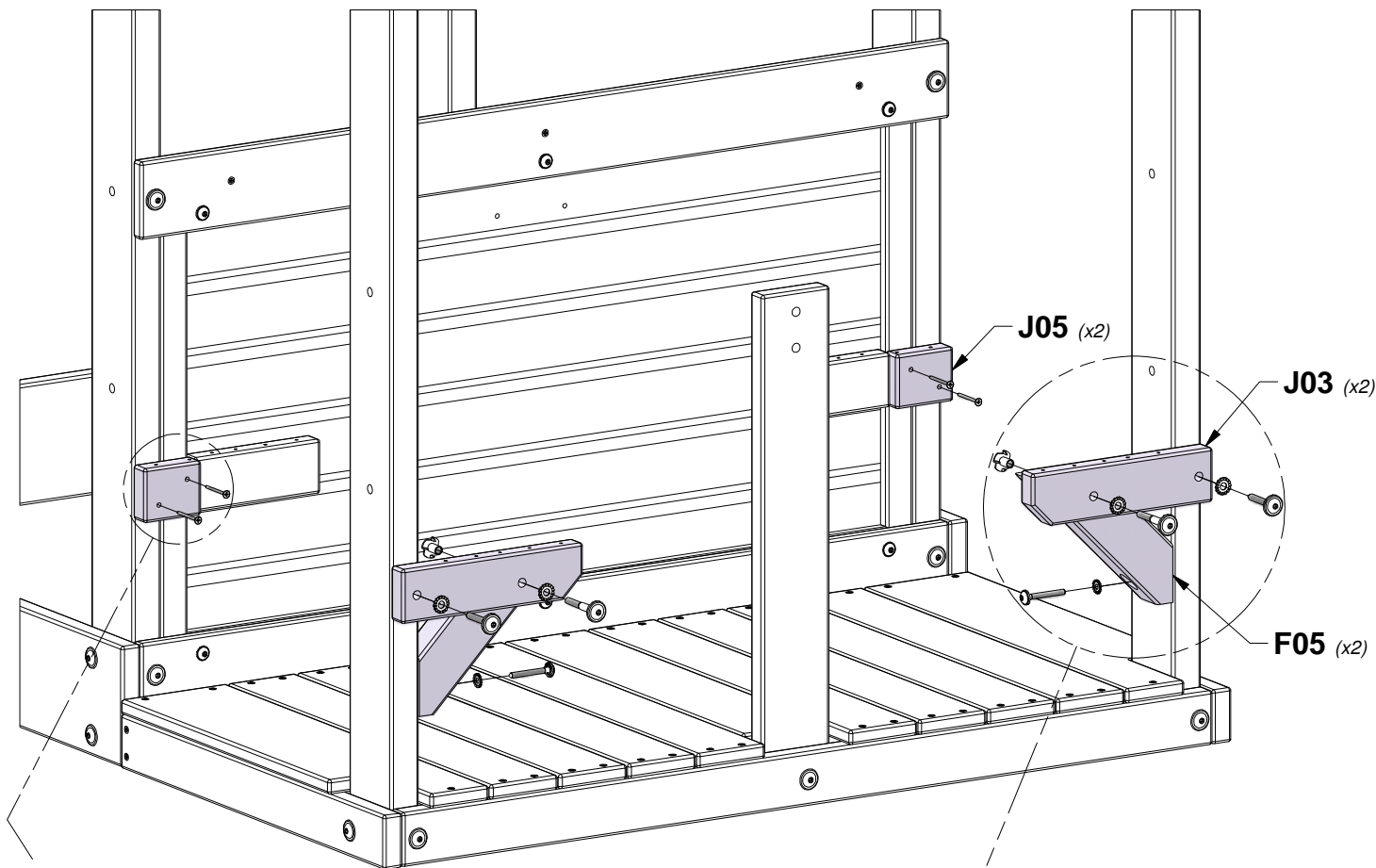


J05 SUPPORT BLOCK - W4L19304
(x2) 1"x2 3/8"x2 7/8" (24x60x72)



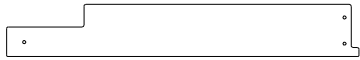
F05 ANGLE BRACE - W4L19293
(x2) 1 3/8"x2 3/8"x9 1/2" (36x60x240)

TIP:
INSTALL T-NUTS IN WOOD FIRST



STEP 26 - FORT ASSEMBLY

QTY	PART NUMBER	DESCRIPTION
22	H100382	SCREW PFH 8x1 3/4 BLK



H06 BENCH BOARD - W4L19048
(x2) 1"x3 3/8"x23" (24x86x583)

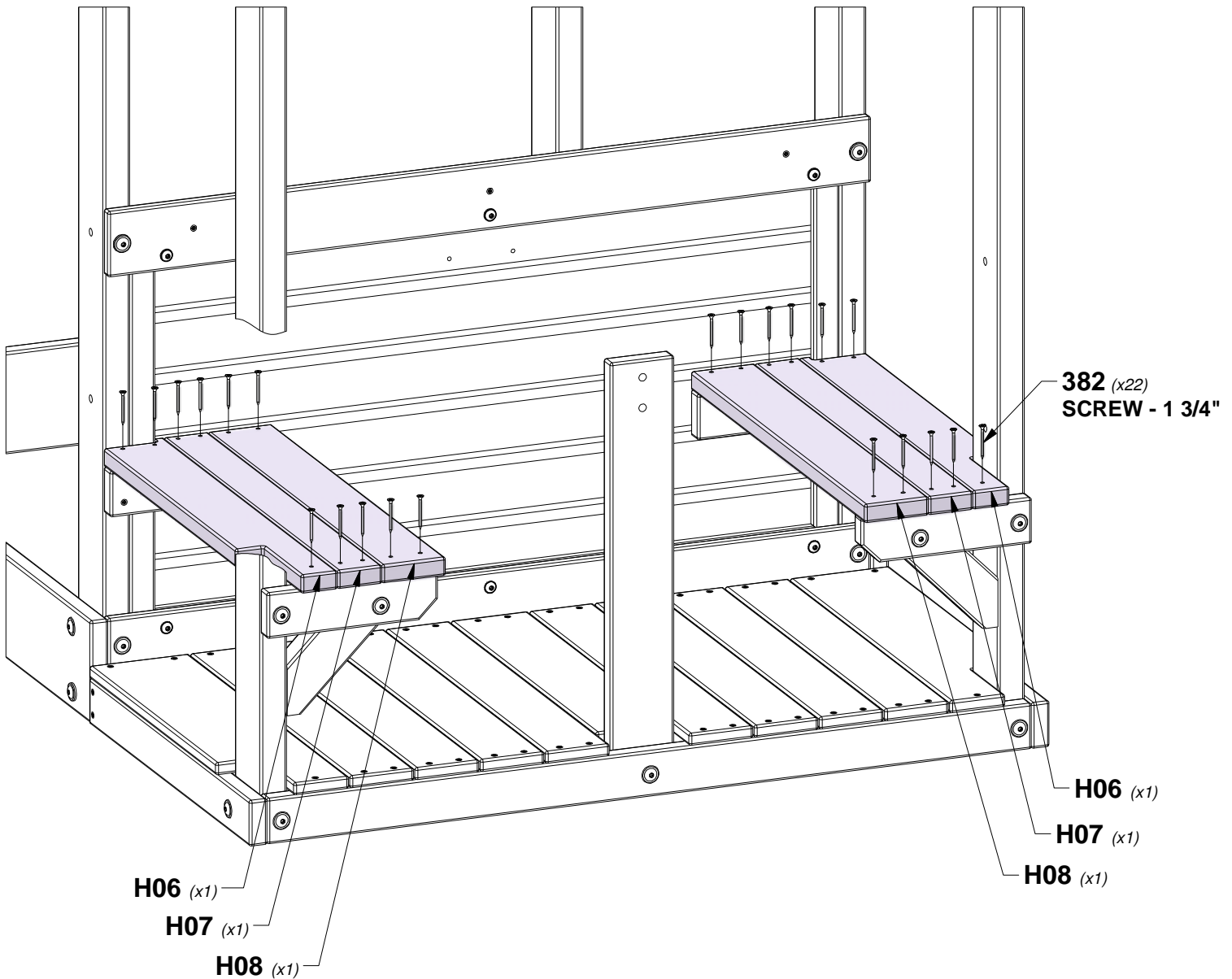


H07 BENCH BOARD - W4L19049
(x2) 1"x2 3/8"x23" (24x60x583)



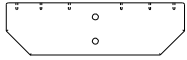
H08 BENCH BOARD - W4L19050
(x2) 1"x3 3/8"x23" (24x86x583)

TIP:
ALIGN PILOT HOLES BEFORE INSERTING SCREWS

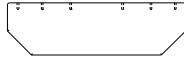


STEP 27 - FORT ASSEMBLY

QTY	PART NUMBER	DESCRIPTION
12	H100200	SCREW PFH 8x1-1/2 BLK
2	H100387	SCREW PFH 8x1-1/4 BLK
2	H100198	WASHER LOCK EXT 8x19 BLK
2	H100378	BOLT WH 5/16x1 3/4 BLK
2	H100379	T-NUT 5/16 BLK



H02 TABLE SUPPORT - W4L19302
(x1) 1"x3 3/8"x11 5/8" (24x86x295)



H03 TABLE SUPPORT - W4L19303
(x1) 1"x3 3/8"x11 5/8" (24x86x295)

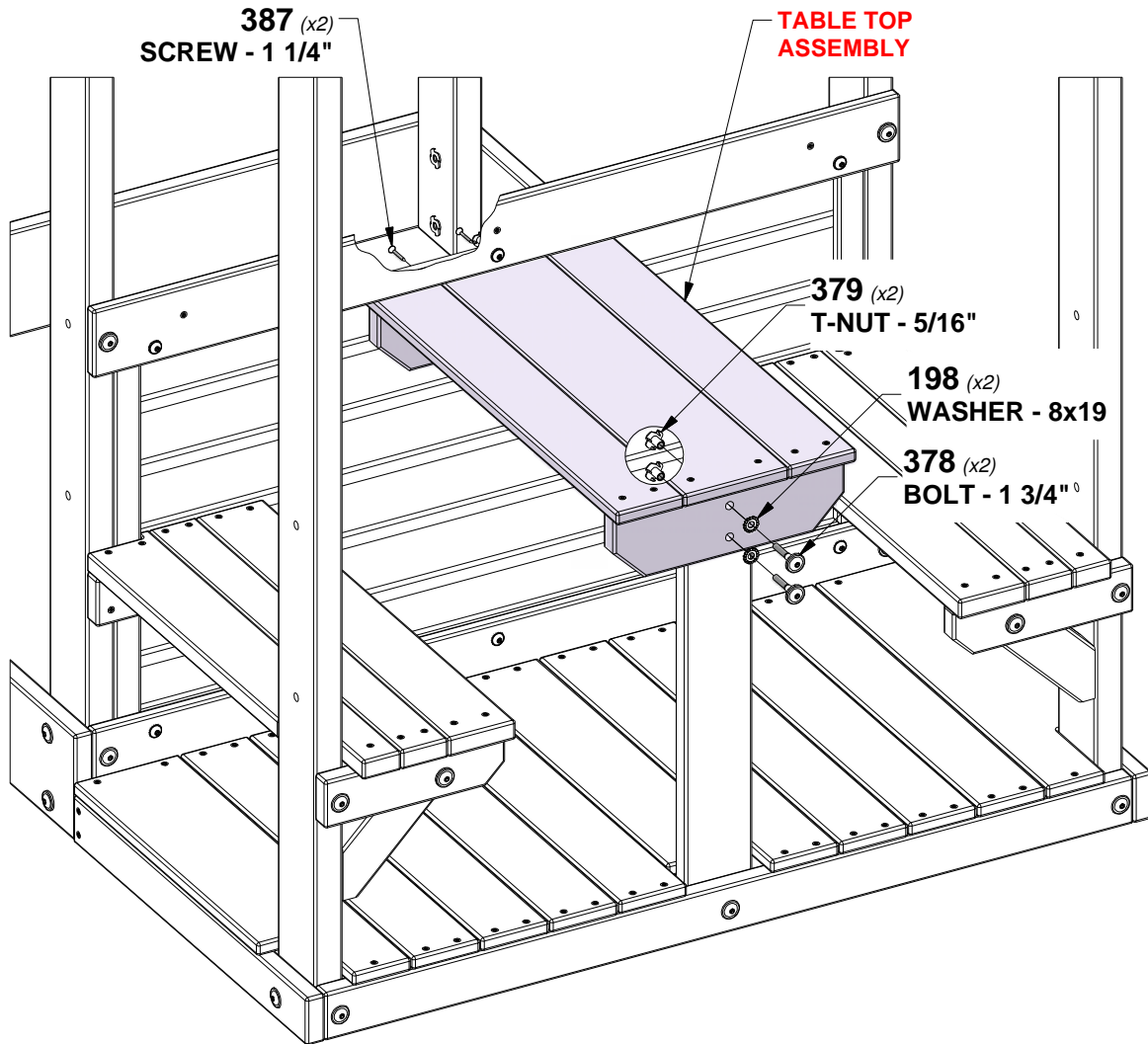
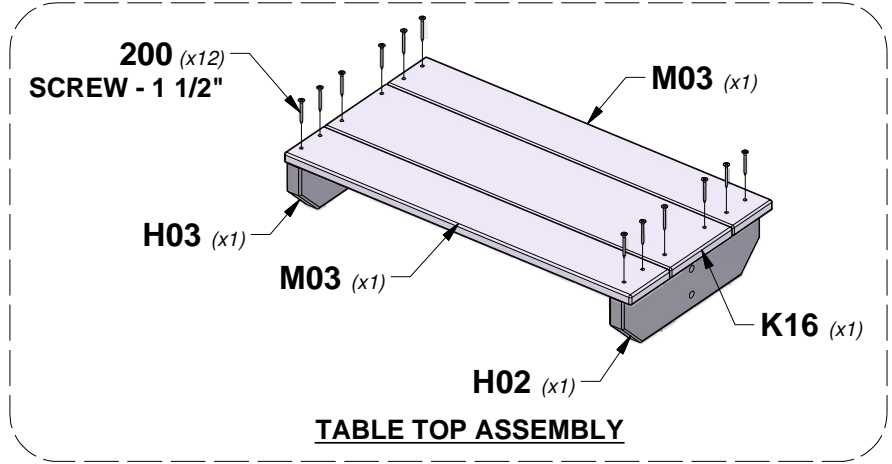


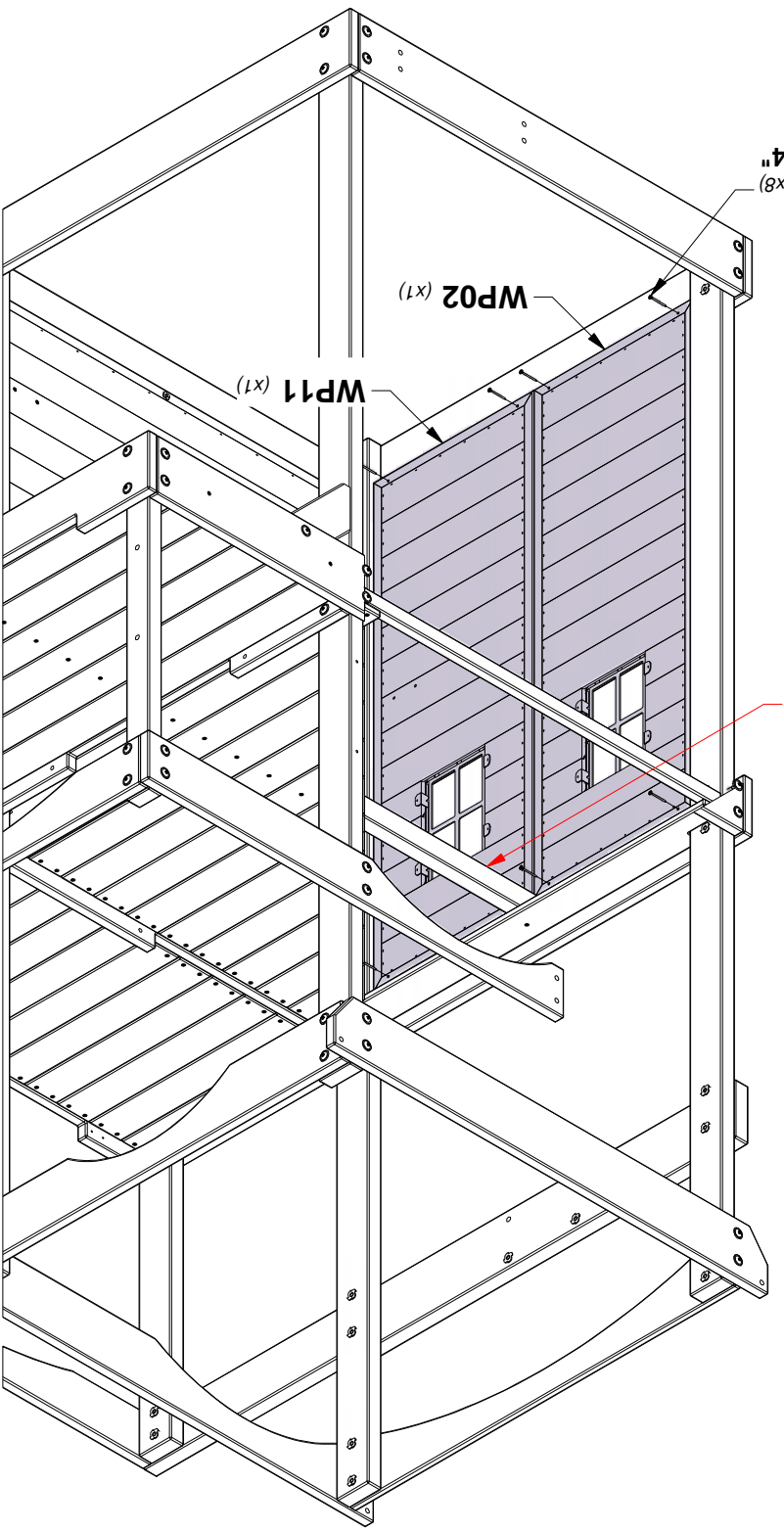
K16 TABLE BOARD - W4L19060
(x1) 5/8"x5 1/4"x23" (16x134x583)



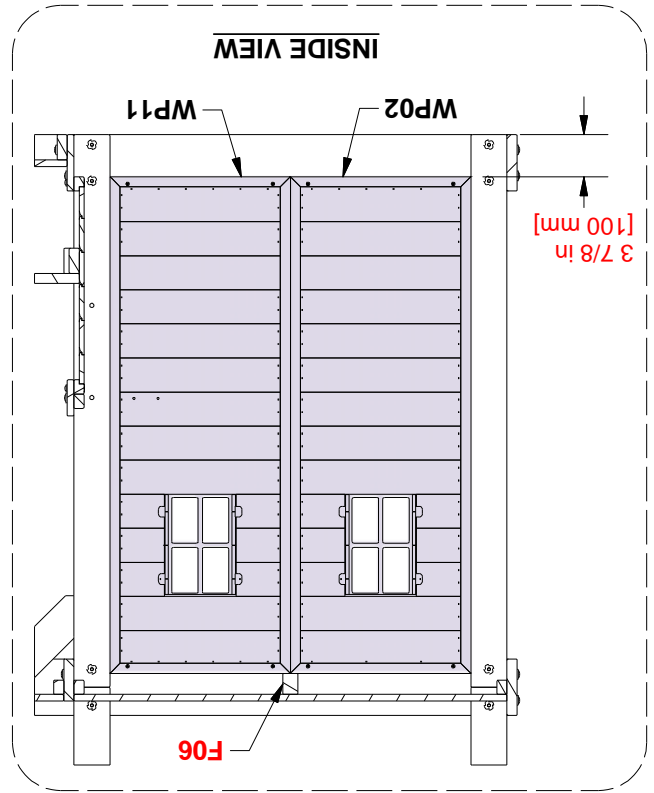
M03 BENCH BOARD - W4L19059
(x2) 5/8"x3 3/8"x23" (16x86x583)

TIP:
INSTALL T-NUTS IN WOOD FIRST.
ALIGN PILOT HOLES.



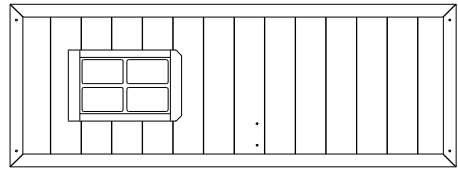


FLUSH TOP OF PANELS TO BOTTOM OF (F06)

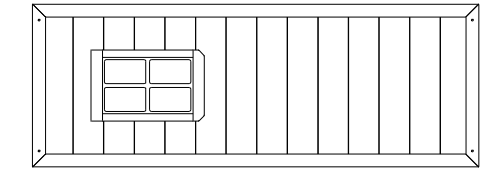


DESCRIPTION	PART NUMBER	QTY
SCREW PFH 8x1 3/4 BLK	H100382	8

WP11 WALL PANEL - W2A0412 (x1) 1"X16 7/8"X46 1/2" (24X430X1181)

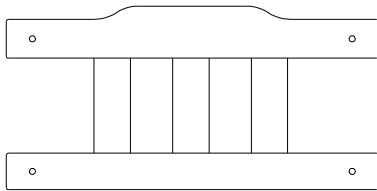


WP02 WALL PANEL - W2A04103 (x1) 1"X16 7/8"X46 1/2" (24X430X1181)

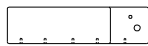


STEP 28 - FORT ASSEMBLY

STEP 29 - FORT ASSEMBLY



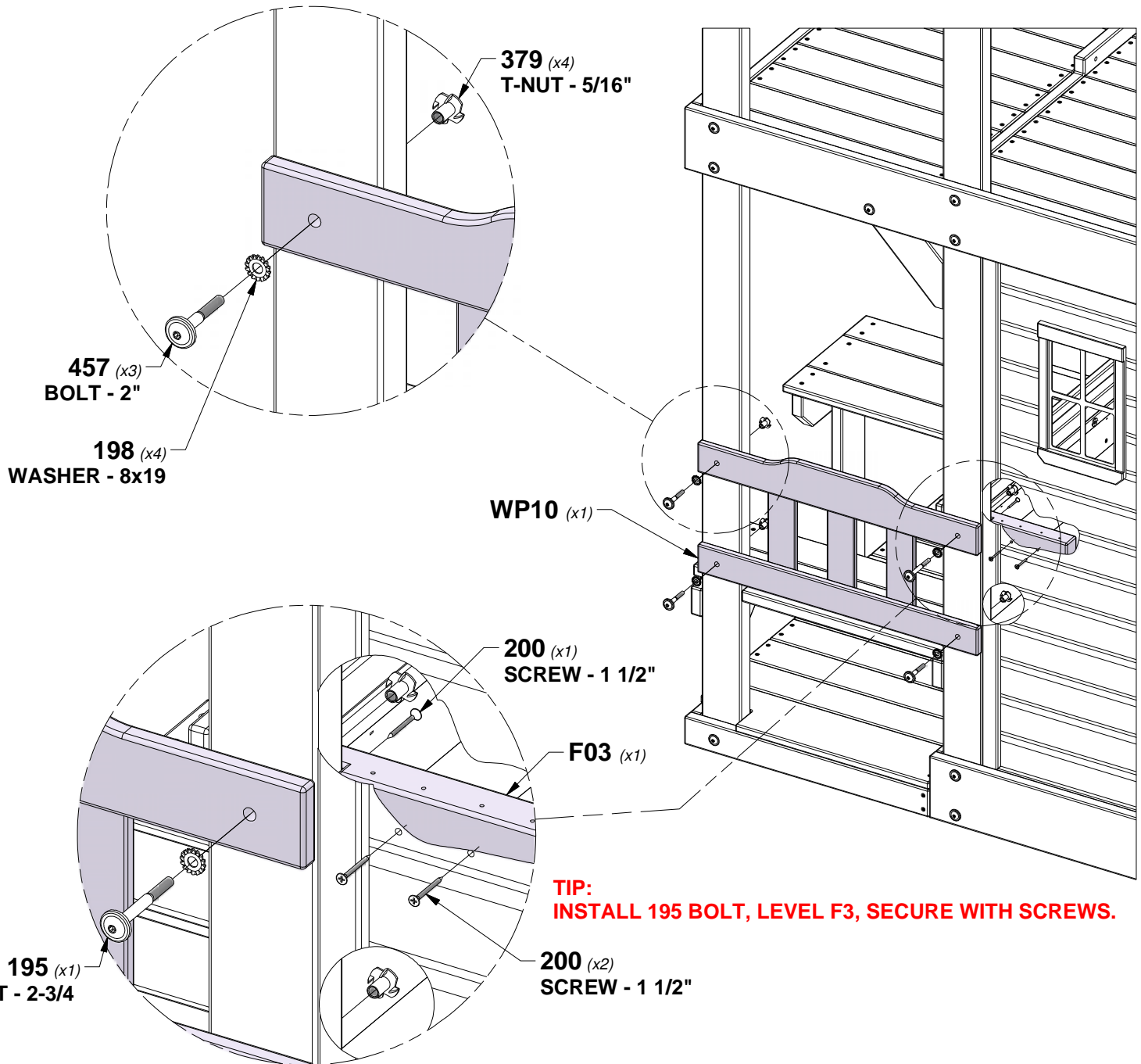
WP10 BENCH BACK ASSEMBLY - W2A04101
 (x1) 1 1/8"x11 7/8"x24 1/4" (27x303x615)



F03 SUPPORT BLOCK - W4L19046
 (x1) 1 3/8"x2 3/8"x9 1/4" (36x60x234)

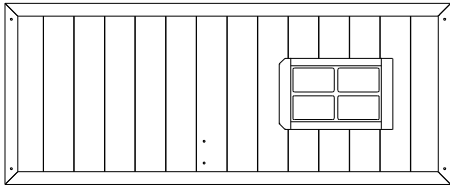
QTY	PART NUMBER	DESCRIPTION
1	H100195	BOLT WH 5/16x2-3/4 BLK
4	H100198	WASHER LOCK EXT 8x19 BLK
3	H100200	SCREW PFH 8x1-1/2 BLK
4	H100379	T-NUT 5/16 BLK
3	H100457	BOLT WH 5/16x2 BLK

TIP:
INSTALL T-NUTS IN WOOD FIRST

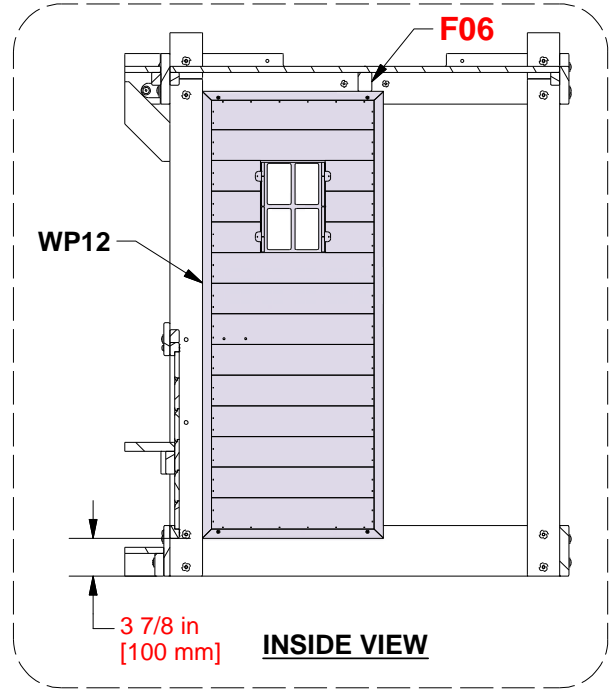
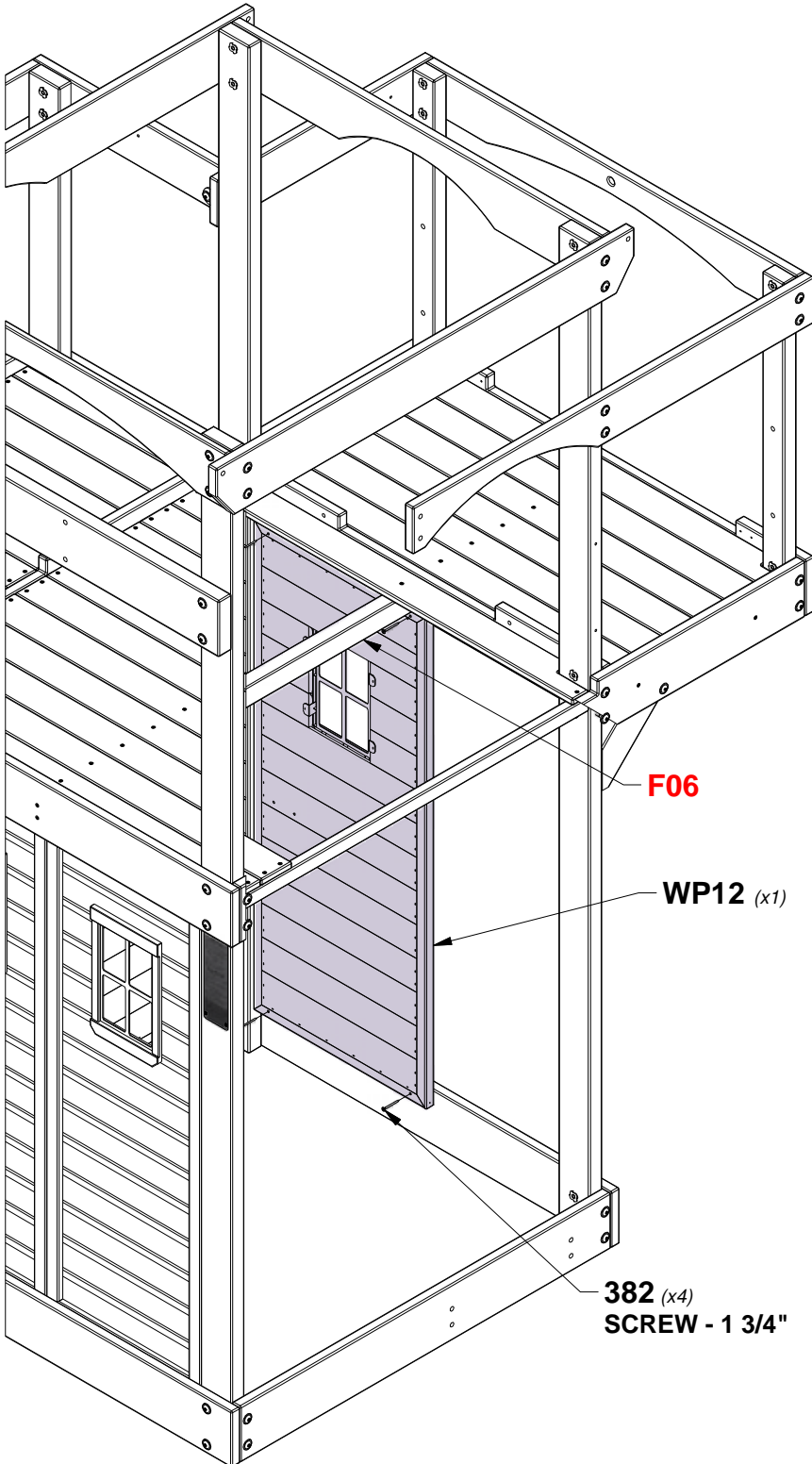


STEP 30 - FORT ASSEMBLY

QTY	PART NUMBER	DESCRIPTION
4	H100382	SCREW PFH 8x1 3/4 BLK

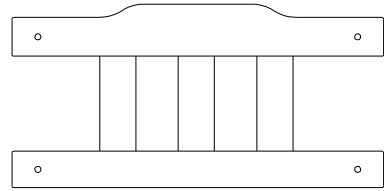


WP12 WALL PANEL - W2A04113
 (x1) 1"x16 7/8"x46 1/2" (24x479x1181)



STEP 31 - FORT ASSEMBLY

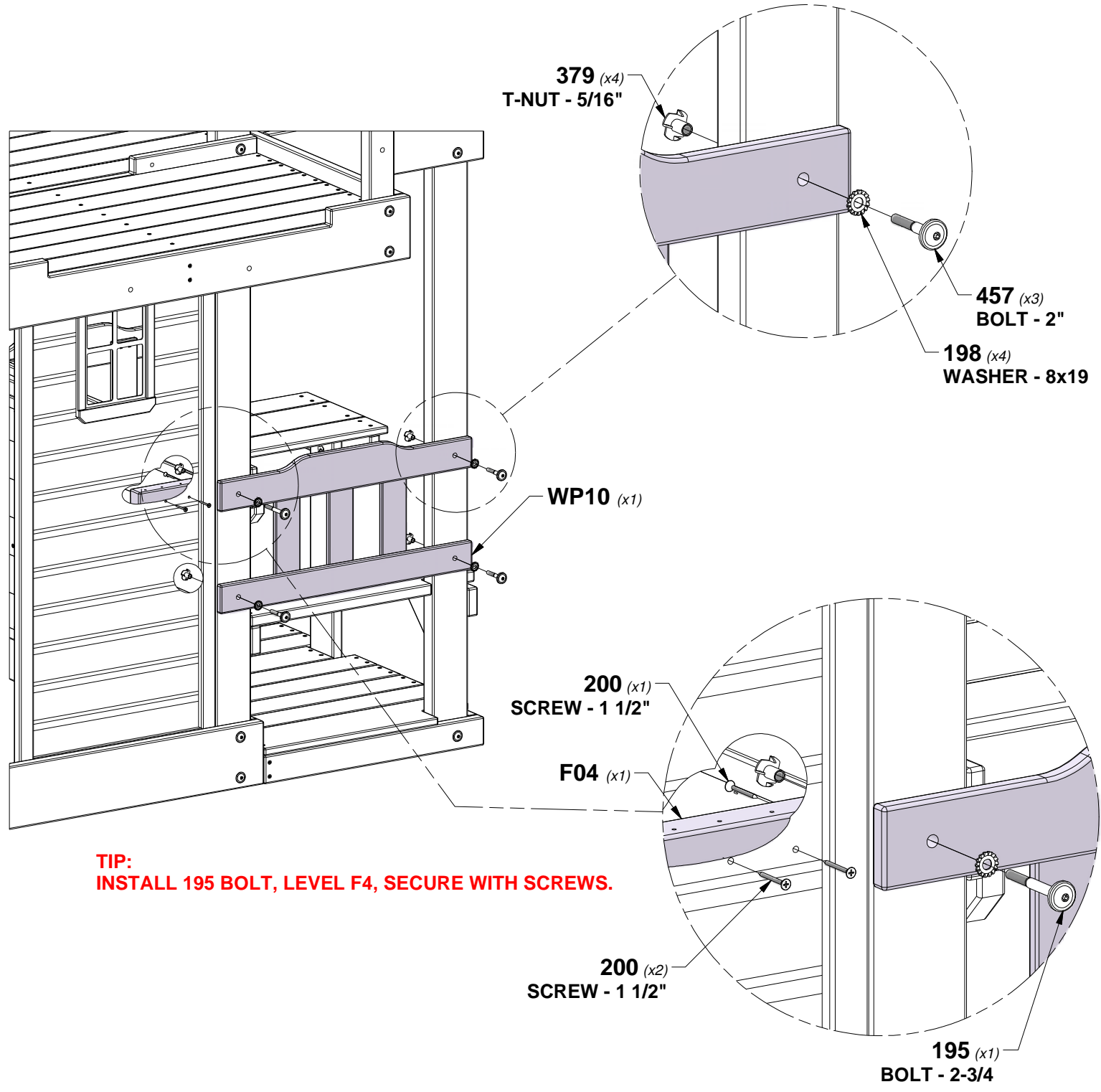
QTY	PART NUMBER	DESCRIPTION
1	H100195	BOLT WH 5/16x2-3/4 BLK
4	H100198	WASHER LOCK EXT 8x19 BLK
3	H100200	SCREW PFH 8x1-1/2 BLK
4	H100379	T-NUT 5/16 BLK
3	H100457	BOLT WH 5/16x2 BLK



F04 SUPPORT BLOCK - W4L19047
 (x1) 1 3/8"x2 3/8"x9 1/4" (36x60x234)

WP10 BENCH BACK ASSEMBLY - W2A04101
 (x1) 1 1/8"x11 7/8"x24 1/4" (27x303x615)

TIP:
INSTALL T-NUTS IN WOOD FIRST



TIP:
INSTALL 195 BOLT, LEVEL F4, SECURE WITH SCREWS.

STEP 32 - FORT ASSEMBLY

QTY	PART NUMBER	DESCRIPTION
14	H100200	SCREW PFH 8x1-1/2 BLK

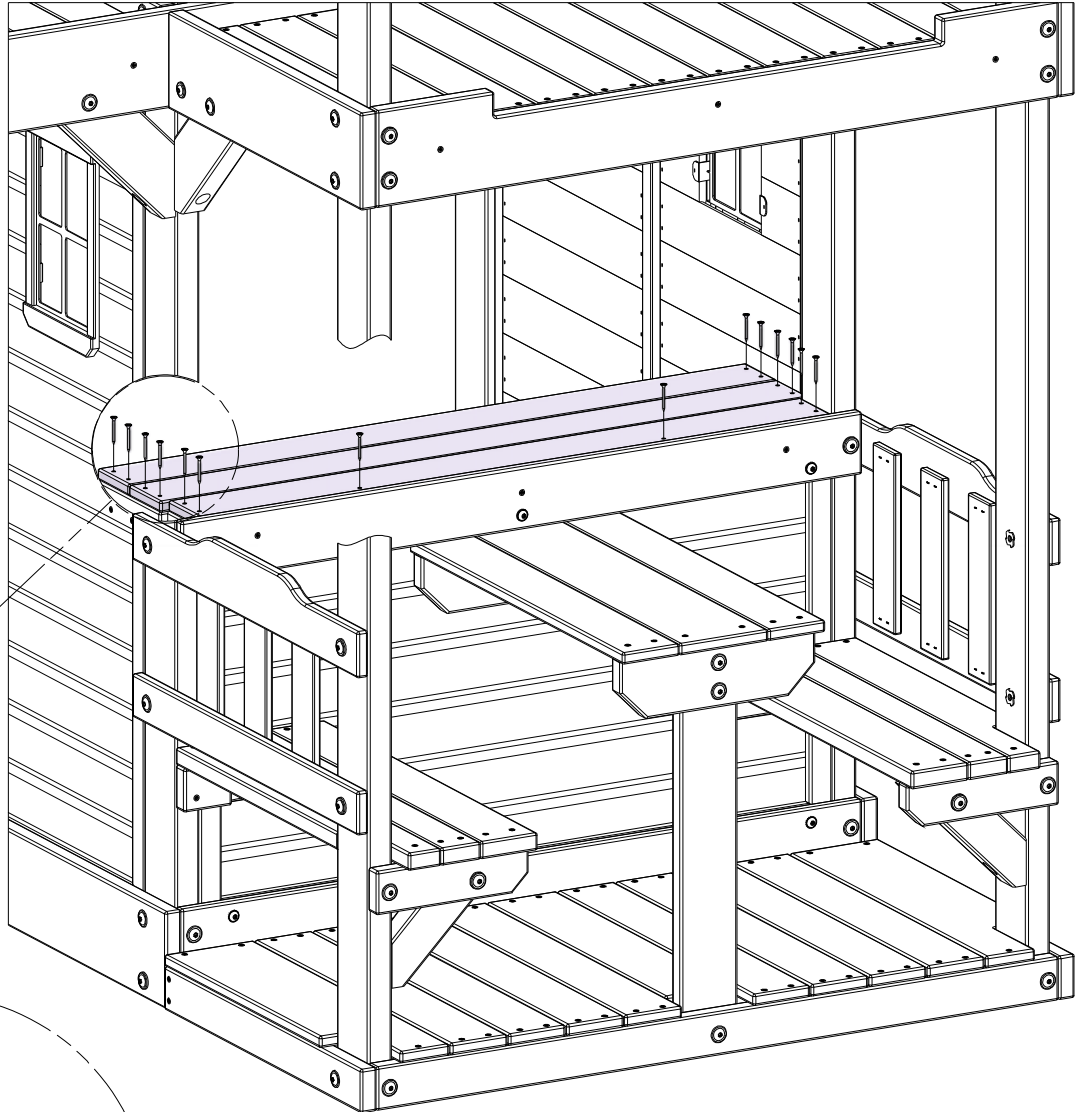


M06 COUNTER TOP - W4L19041
 (x1) 5/8"x3 3/8"x37 5/8" (16x86x957)

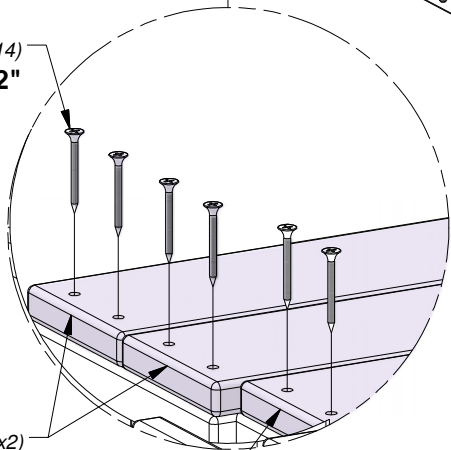


M07 COUNTER TOP - W4L19042
 (x2) 5/8"x3 3/8"x38 5/8" (16x86x981)

TIP:
PLACE BOARDS EVENLY
BEFORE INSERTING SCREWS



200 (x14)
SCREW - 1 1/2"

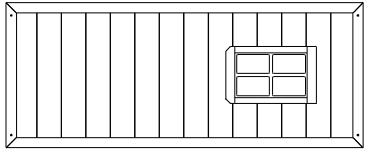


M07 (x2)

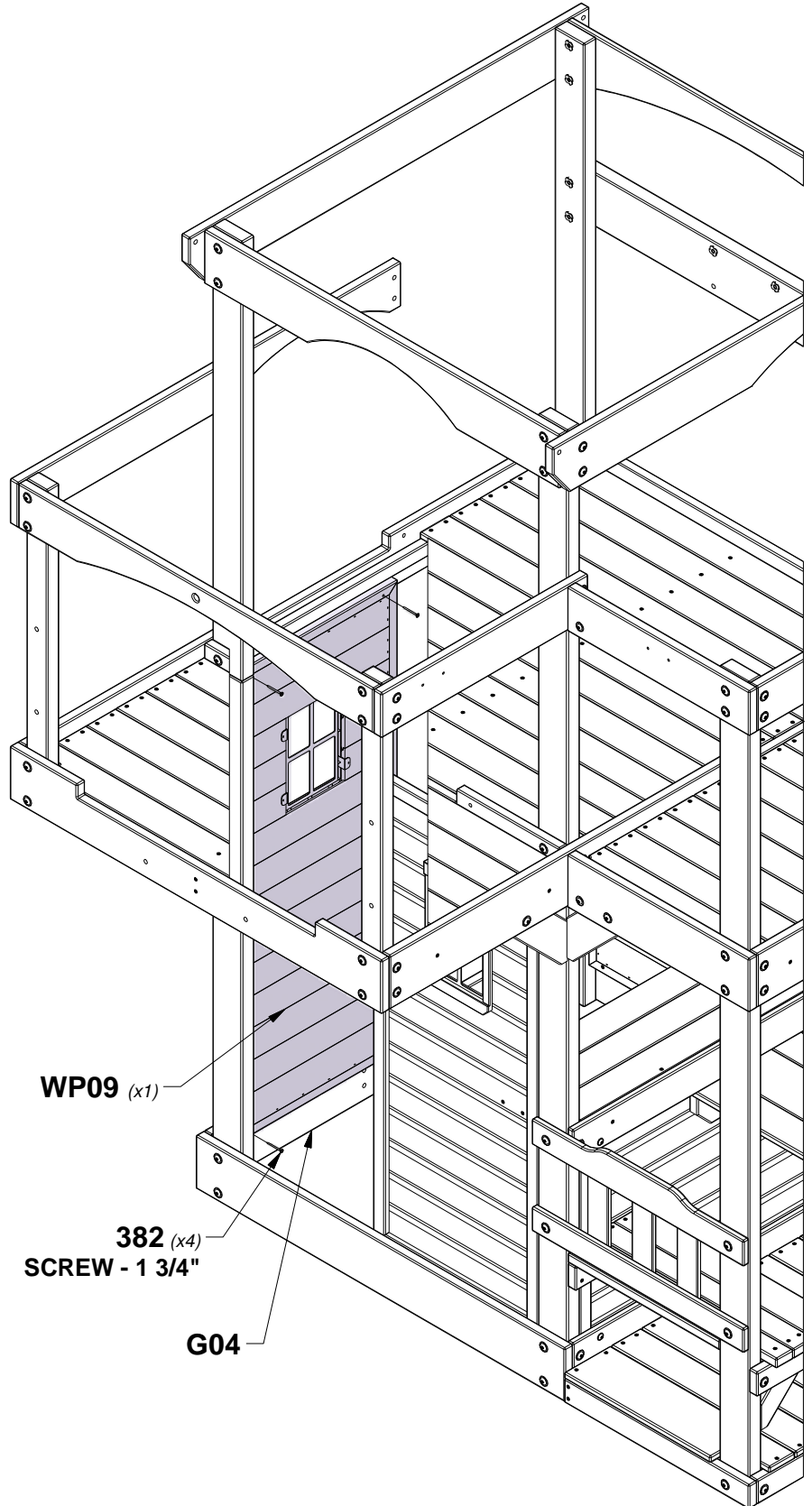
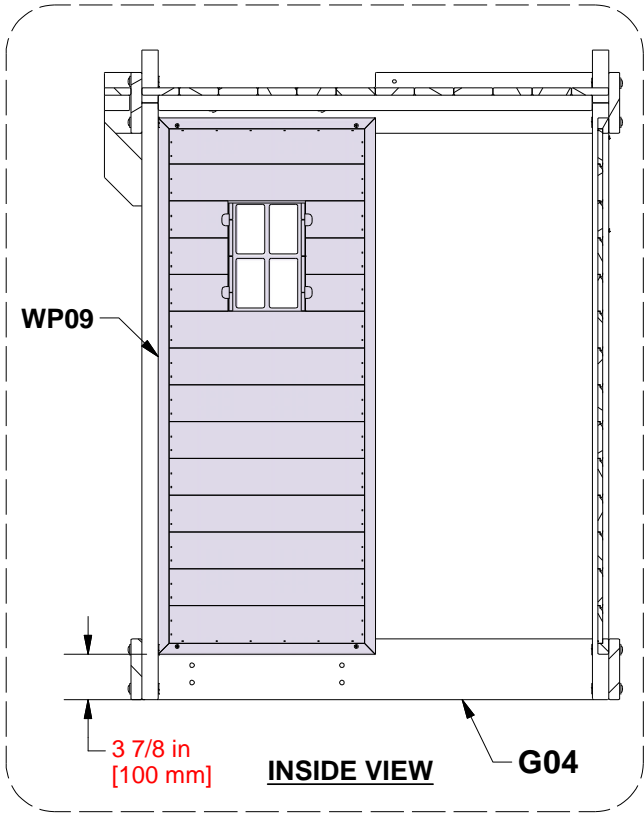
M06 (x1)

STEP 33 - FORT ASSEMBLY

QTY	PART NUMBER	DESCRIPTION
4	H100382	SCREW PFH 8x1 3/4 BLK

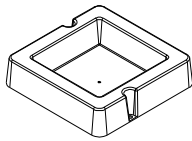
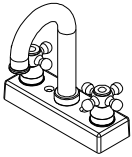


WP09 WALL PANEL - W2A04105
 (x1) 1"x16 7/8"x46 1/2" (24x479x1181)



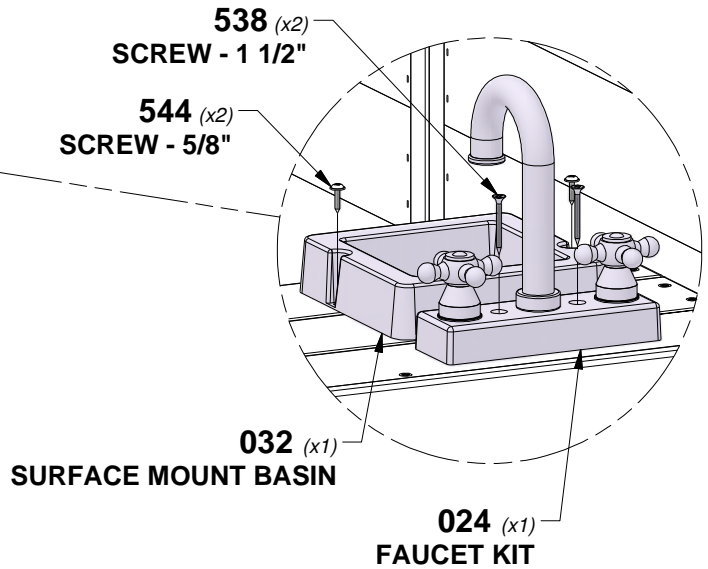
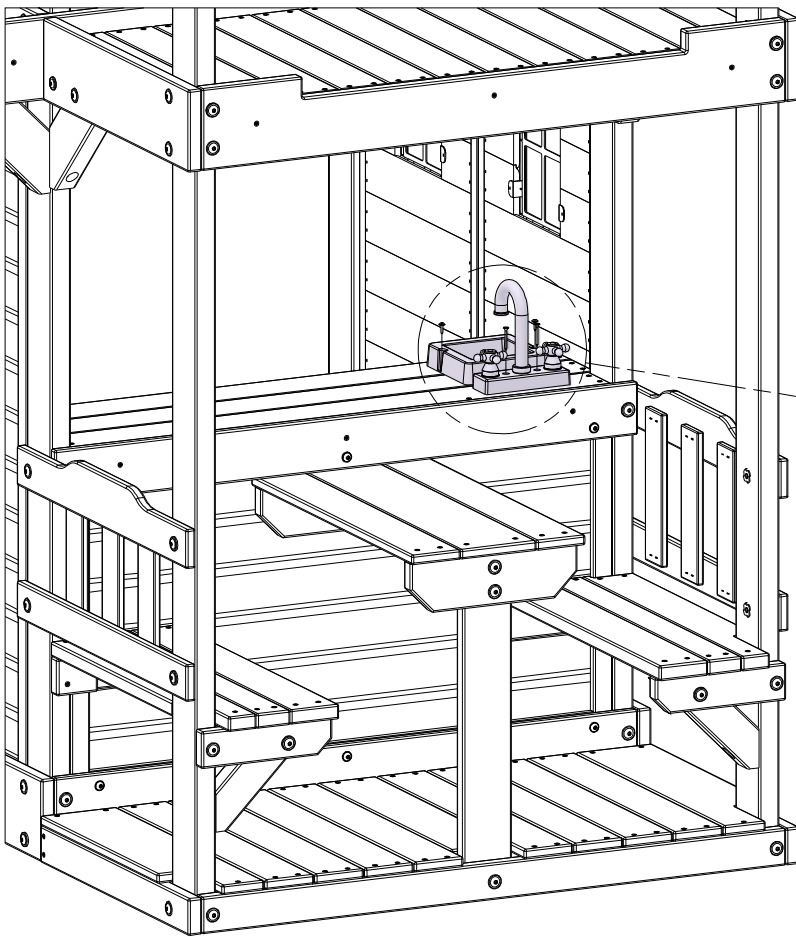
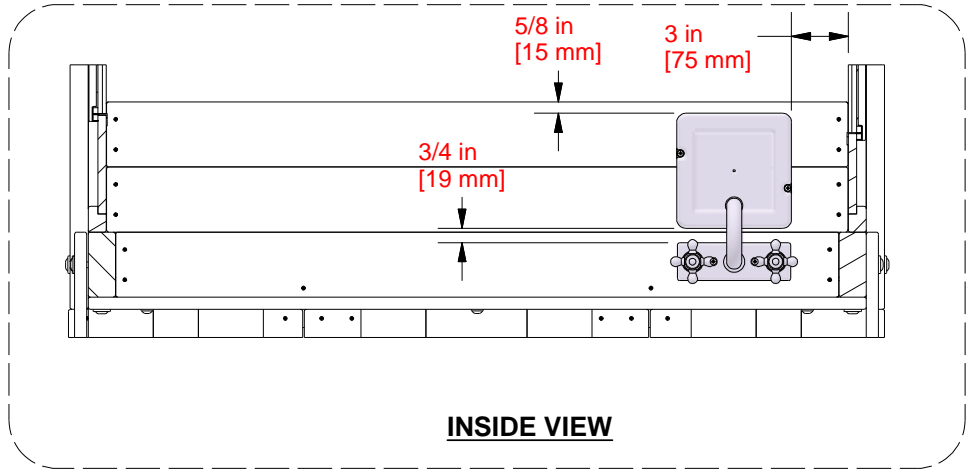
STEP 34 - FORT ASSEMBLY

QTY	PART NUMBER	DESCRIPTION
2	H100538	SCREW PFH 8x1 1/2 SD
2	H100544	SCREW PWH 8x5/8 SD



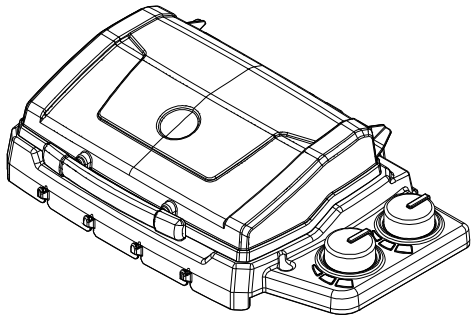
A6P00024
(x1) FAUCET KIT

A6P00032 SURFACE
(x1) MOUNT BASIN

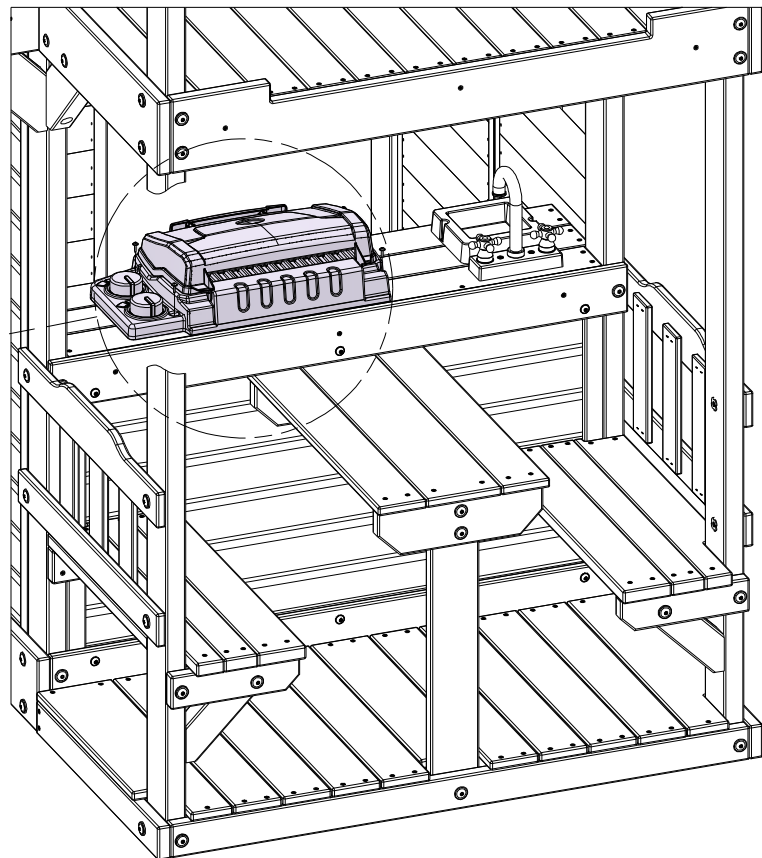
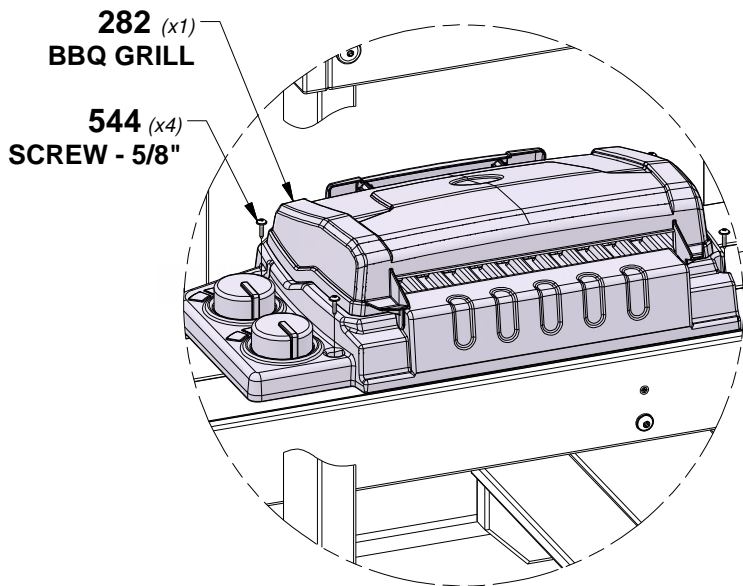
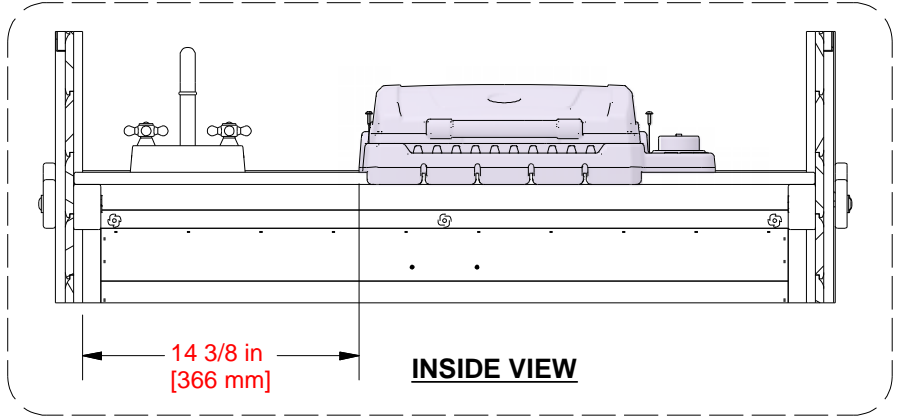


STEP 35 - FORT ASSEMBLY

QTY	PART NUMBER	DESCRIPTION
4	H100544	SCREW PWH 8x5/8 SD

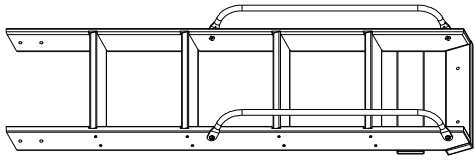


A6P00282
(x1) **BBQ GRILL**

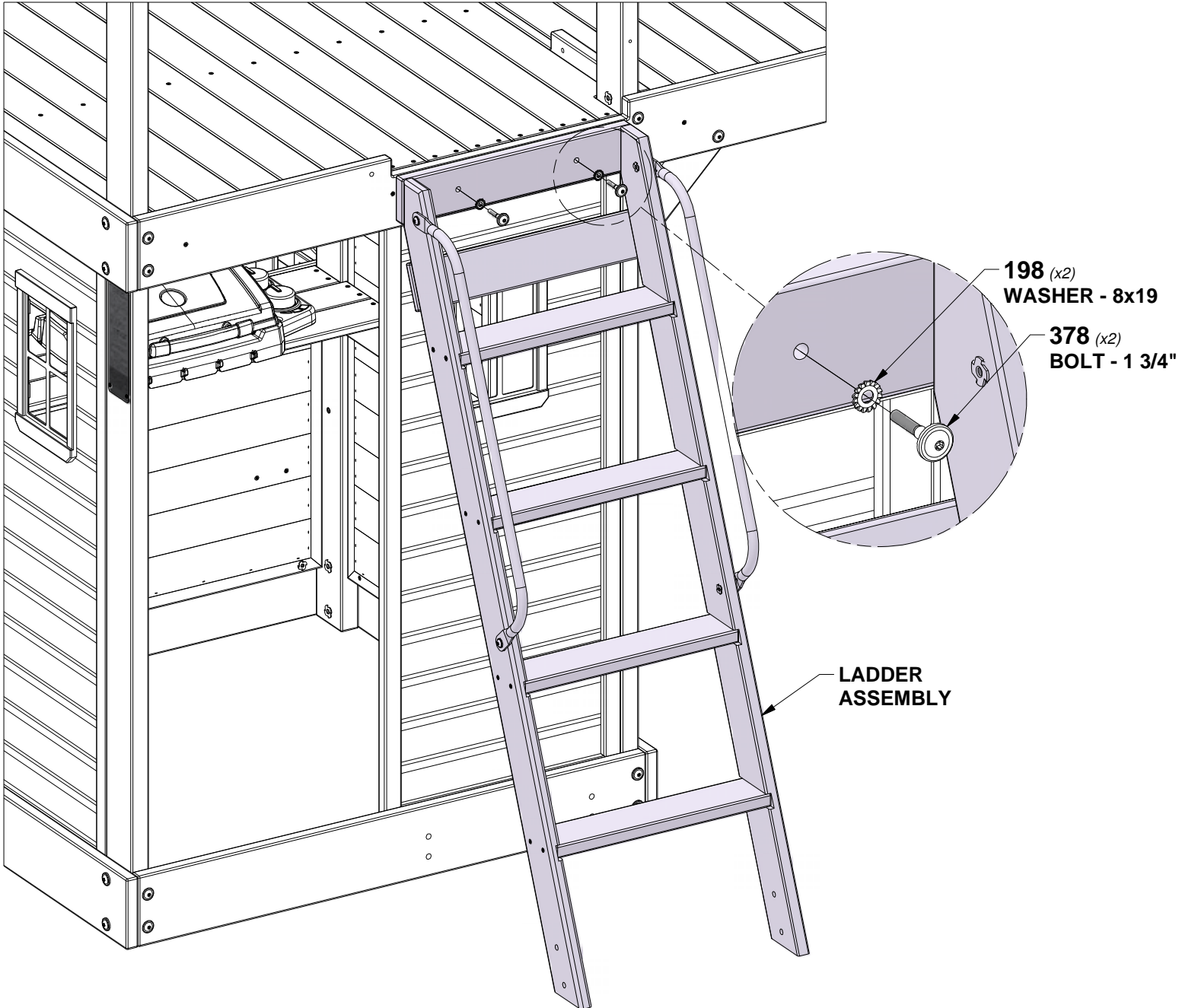


STEP 36 - FORT ASSEMBLY

QTY	PART NUMBER	DESCRIPTION
2	H100198	WASHER LOCK EXT 8x19 BLK
2	H100378	BOLT WH 5/16x1 3/4 BLK

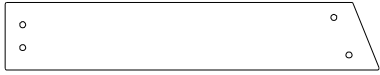


LADDER ASSEMBLY (x1)

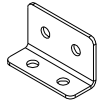


STEP 37 - FORT ASSEMBLY

QTY	PART NUMBER	DESCRIPTION
4	H100198	WASHER LOCK EXT 8x19 BLK
4	H100378	BOLT WH 5/16x1 3/4 BLK
12	H100379	T-NUT 5/16 BLK
8	H100468	BOLT WH 5/16x1 BLK

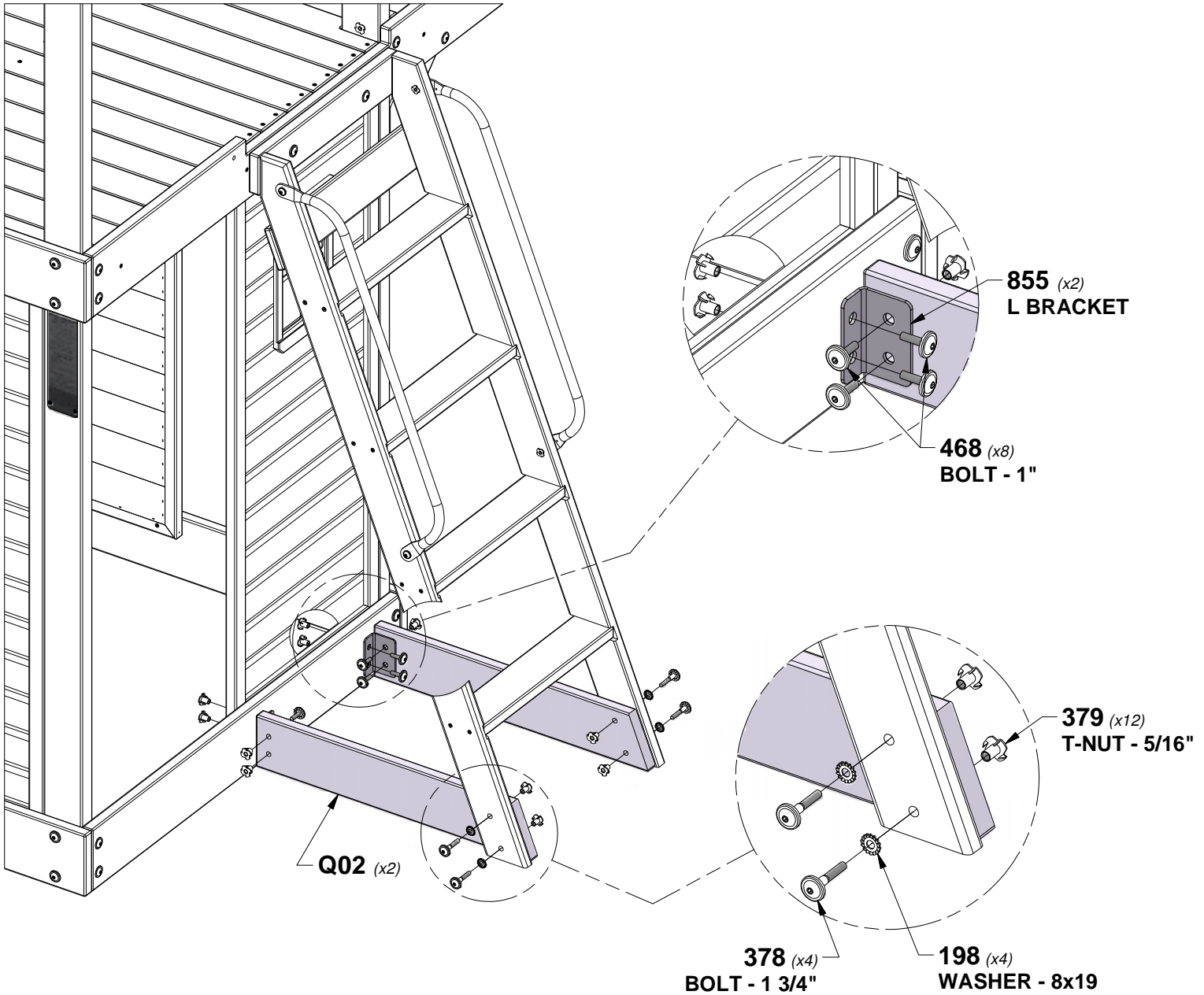


Q02 GROUND BOARD - W4L19088
(x2) 1"x4 3/8"x24 3/8" (24x112x620)

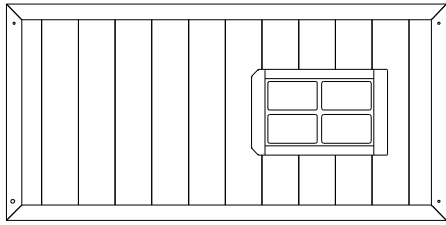


A4M00855 L BRACKET
(x2) 32x51x82

TIP:
INSTALL T-NUTS IN WOOD FIRST



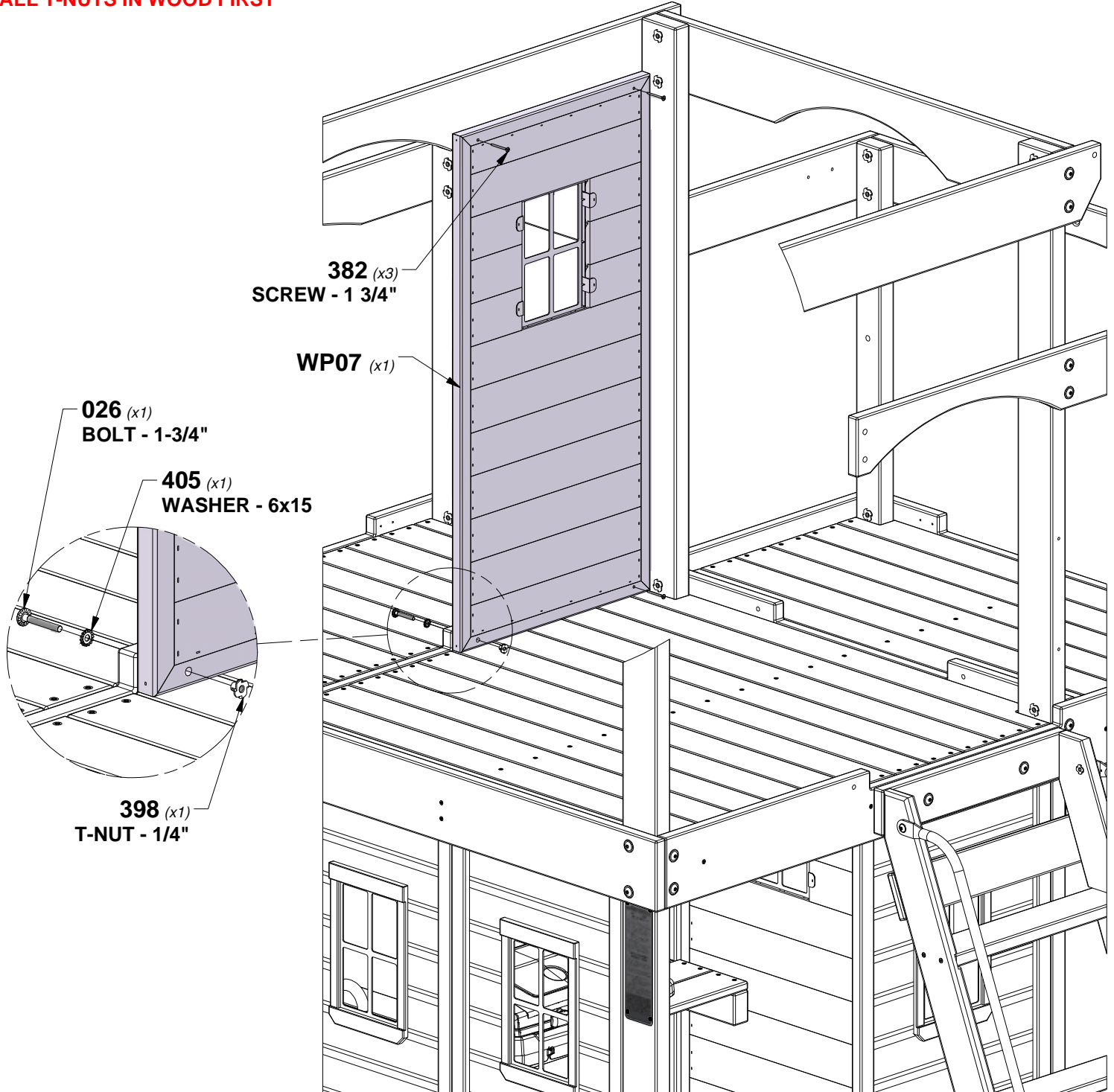
STEP 38 - FORT ASSEMBLY



WP07 WALL PANEL - W2A04107
 (x1) 1"x16 7/8"x46 1/2" (24x476x971)

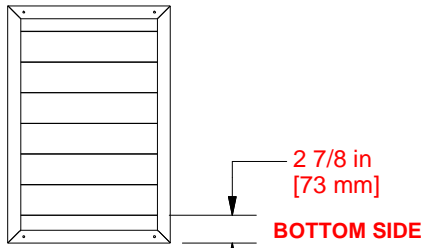
QTY	PART NUMBER	DESCRIPTION
3	H100382	SCREW PFH 8x1-3/4 BLK
1	H100398	T-NUT 1/4 BLK
1	H100405	WASHER LOCK EXT 6x15 BLK
1	H101026	BOLT WH 1/4x1-3/4 BLK

TIP:
INSTALL T-NUTS IN WOOD FIRST

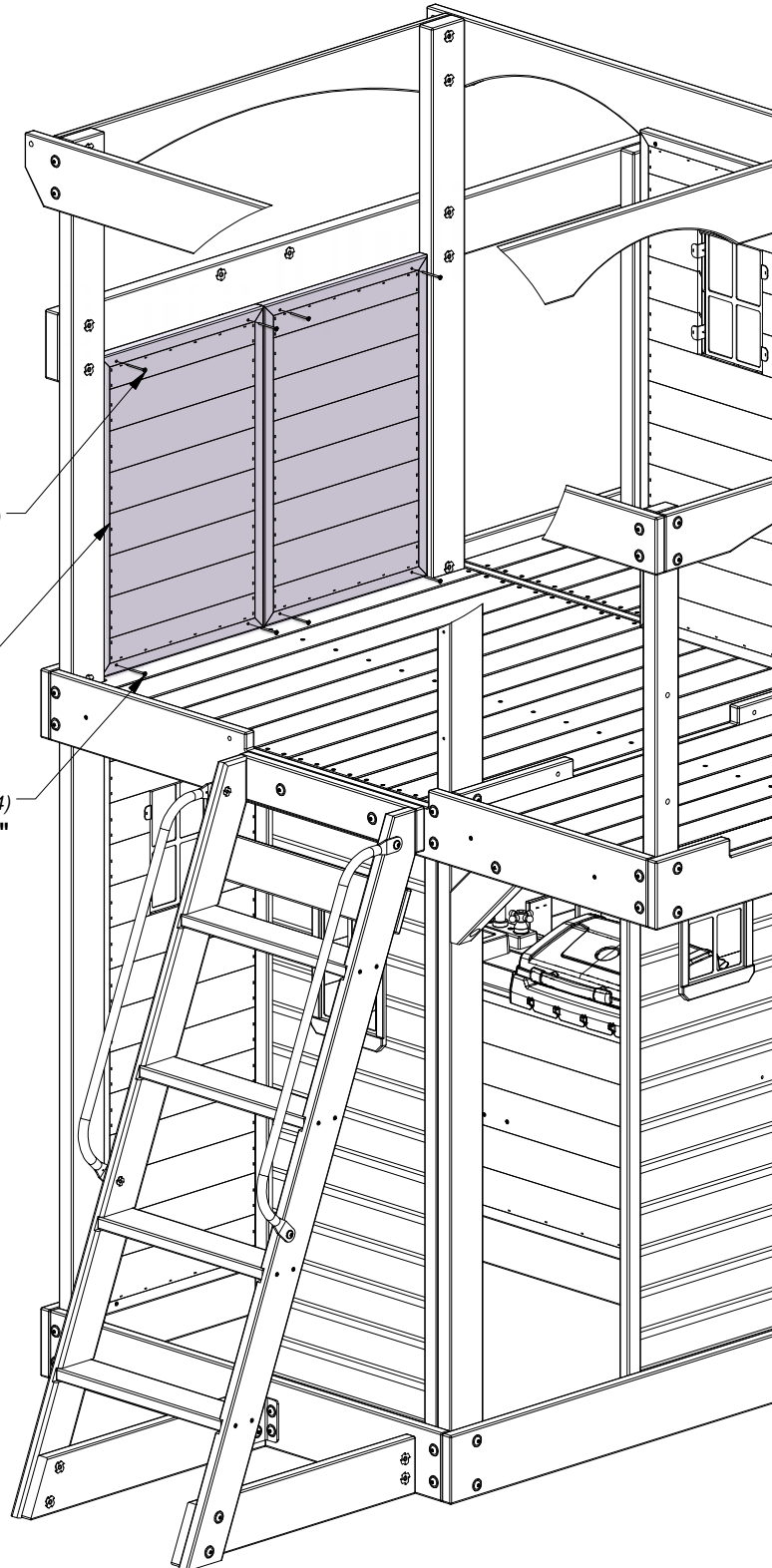
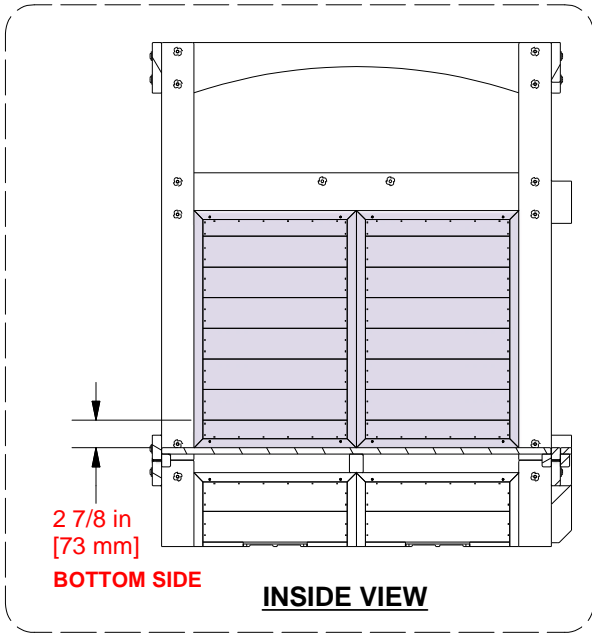


STEP 39 - FORT ASSEMBLY

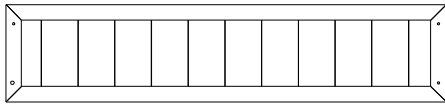
QTY	PART NUMBER	DESCRIPTION
4	H100382	SCREW PFH 8x1 3/4 BLK
4	H100391	SCREW PFH 8x2 BLK



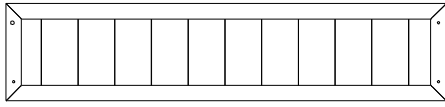
WP04 WALL PANEL - W2A04108
 (x2) 1"x16 7/8"x24 5/8" (24x430x627)



STEP 40 - FORT ASSEMBLY



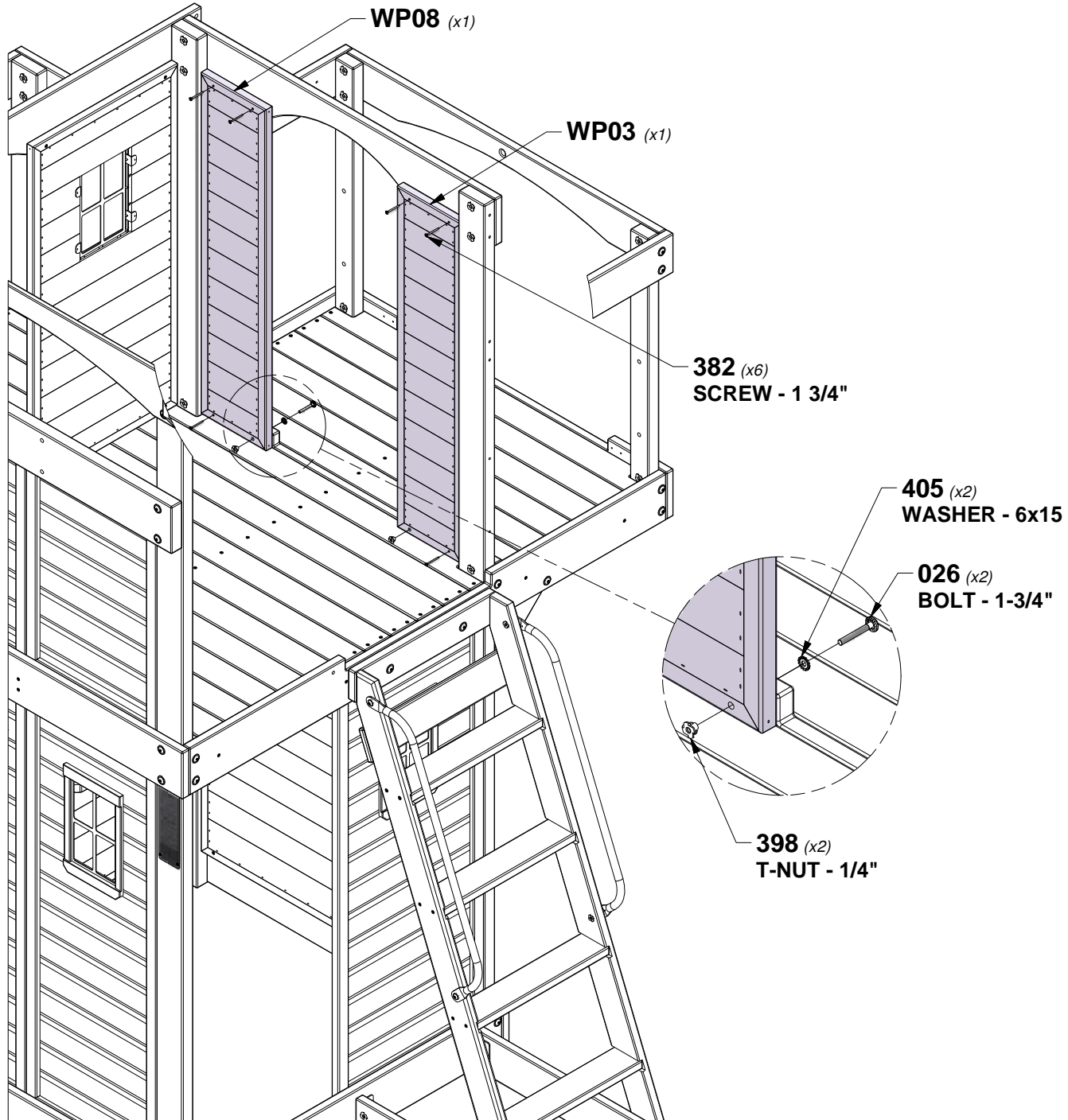
WP03 WALL PANEL - W2A04110
(x1) 1"x18 7/8"x11 3/4" (24x214x971)



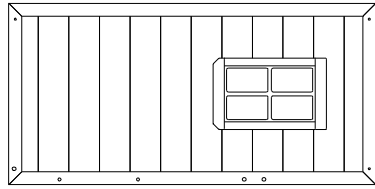
WP08 WALL PANEL - W2A04111
(x1) 1"x18 7/8"x11 3/4" (24x214x971)

QTY	PART NUMBER	DESCRIPTION
6	H100382	SCREW PFH 8x1-3/4 BLK
2	H100398	T-NUT 1/4 BLK
2	H100405	WASHER LOCK EXT 6x15 BLK
2	H101026	BOLT WH 1/4x1-3/4 BLK

TIP:
INSTALL T-NUTS IN WOOD FIRST

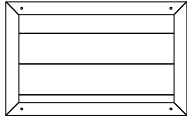


STEP 41 - FORT ASSEMBLY



WP05 WALL PANEL - W2A04109

(x1) 1"x16 7/8"x46 1/2" (24x479x971)

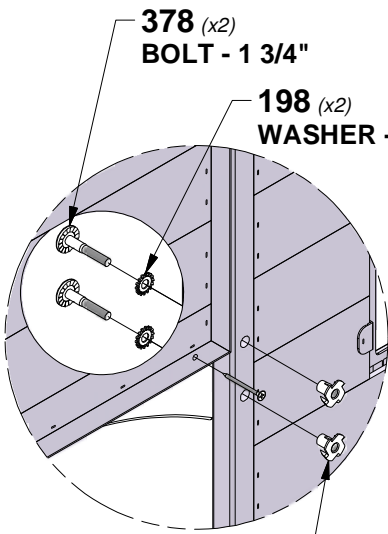


WP06 WALL PANEL - W2A04104

(x1) 1"x11 3/4"x18 7/8" (24x300x479)

QTY	PART NUMBER	DESCRIPTION
2	H100198	WASHER LOCK EXT 8x19 BLK
2	H100378	BOLT WH 5/16x1 3/4 BLK
2	H100379	T-NUT 5/16 BLK
7	H100382	SCREW PFH 8x1-3/4 BLK
1	H100398	T-NUT 1/4 BLK
1	H100405	WASHER LOCK EXT 6x15 BLK
1	H101026	BOLT WH 1/4x1-3/4 BLK

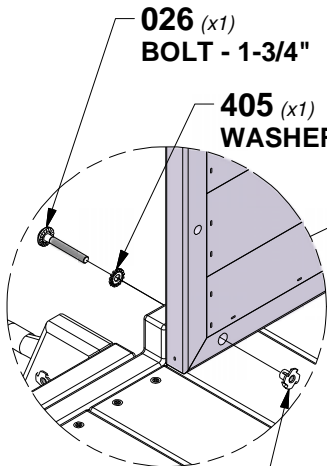
TIP:
INSTALL T-NUTS IN WOOD FIRST



378 (x2)
BOLT - 1 3/4"

198 (x2)
WASHER - 8x19

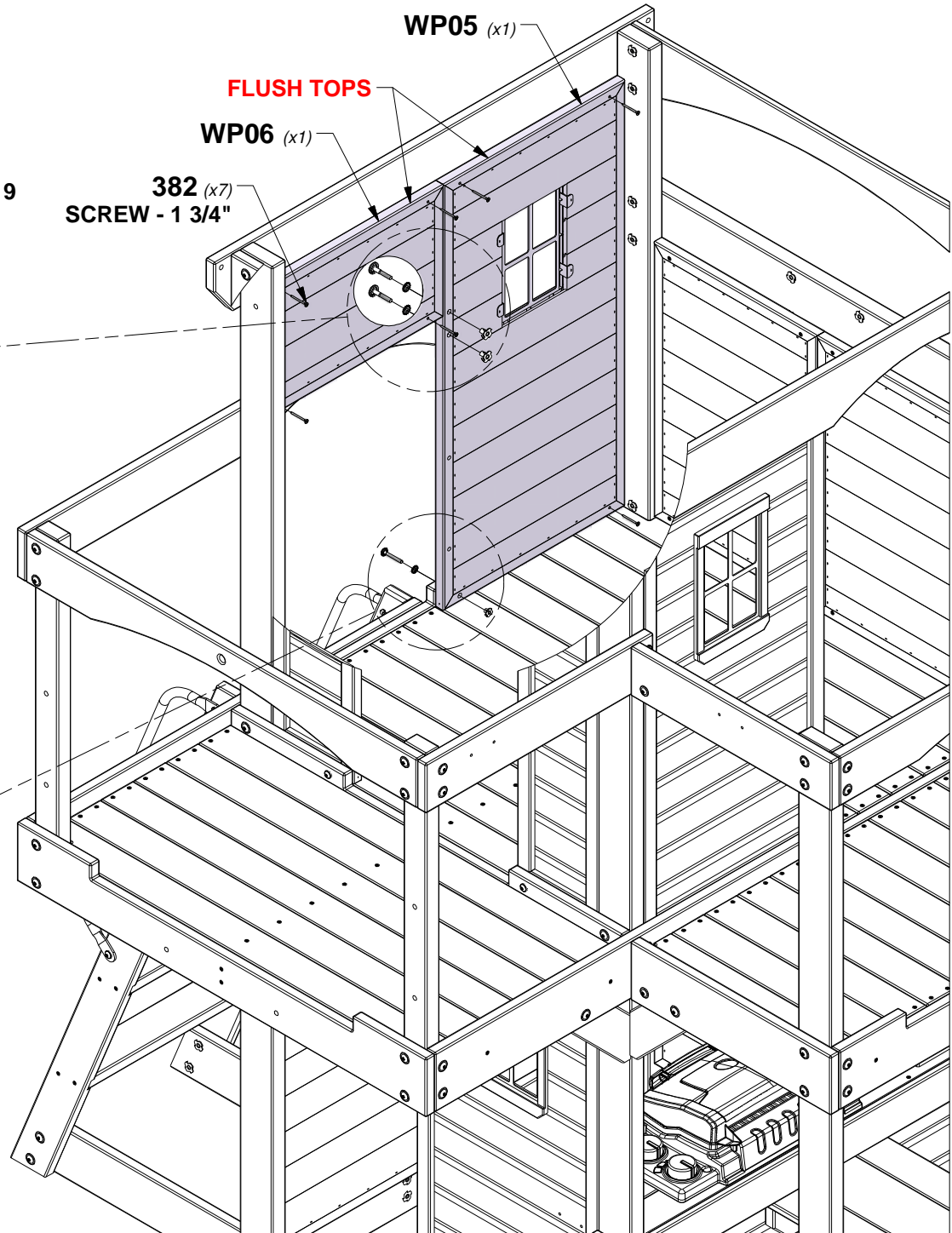
379 (x2)
T-NUT - 5/16"



026 (x1)
BOLT - 1-3/4"

405 (x1)
WASHER - 6x15

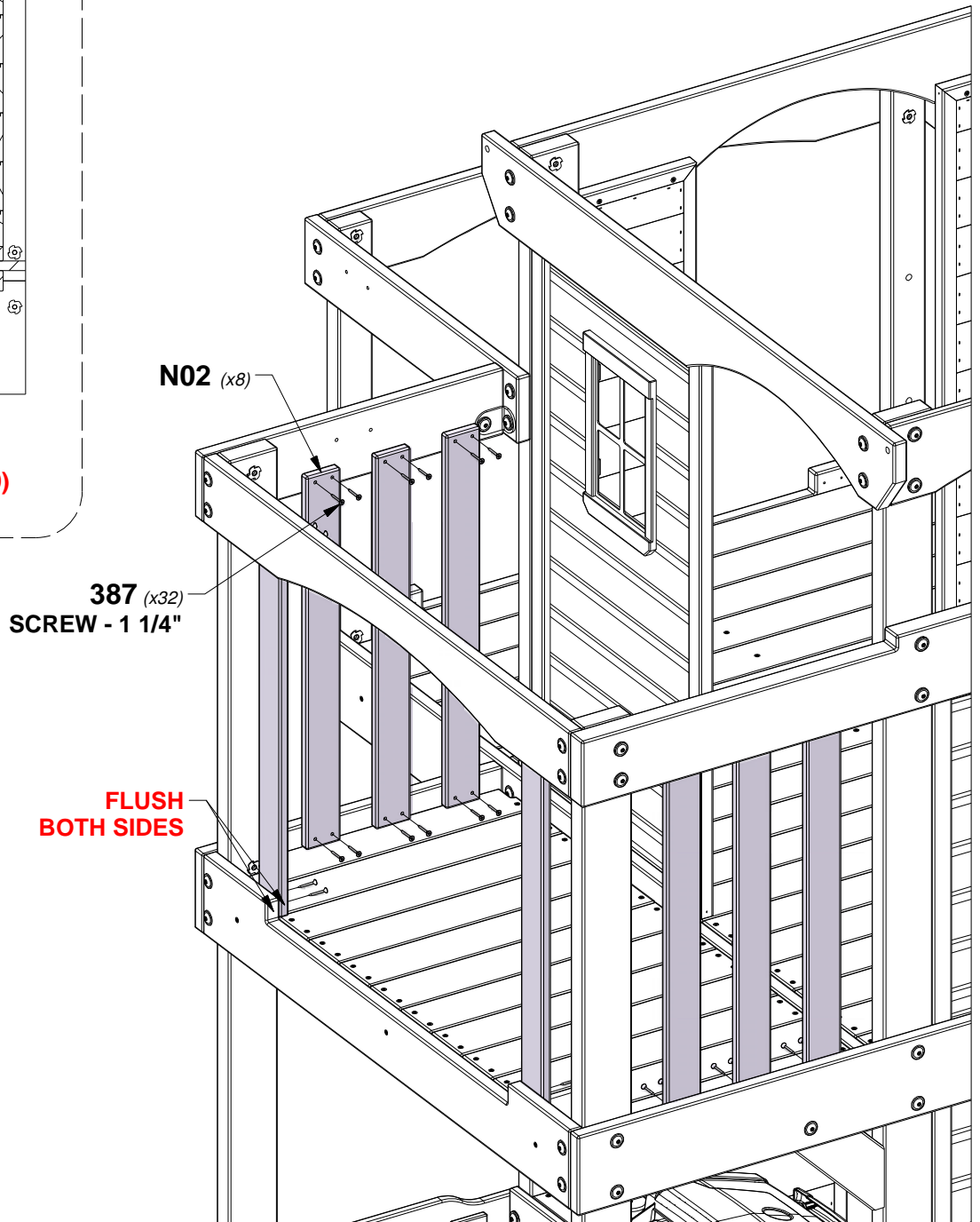
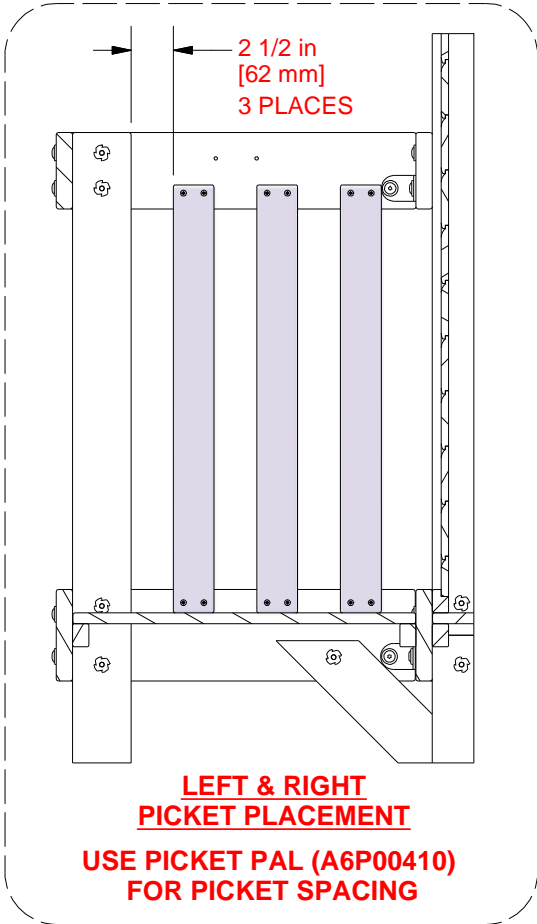
398 (x1)
T-NUT - 1/4"



STEP 42 - FORT ASSEMBLY

QTY	PART NUMBER	DESCRIPTION
32	H100387	SCREW PFH 8x1-1/4 BLK

N02 PICKET - W4L19044
(x8) 5/8"x2 3/8"x24 3/4" (16x60x628)

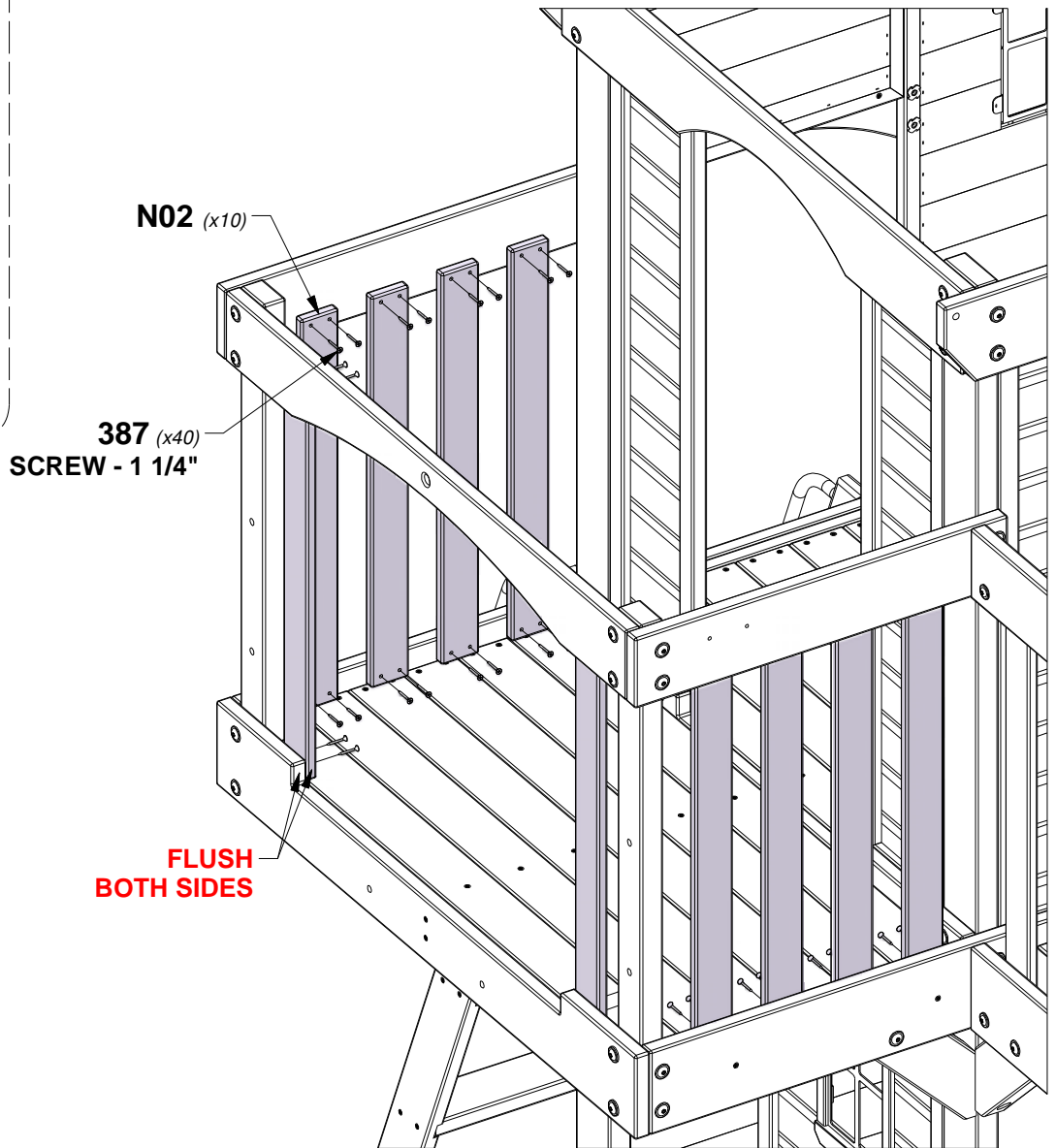
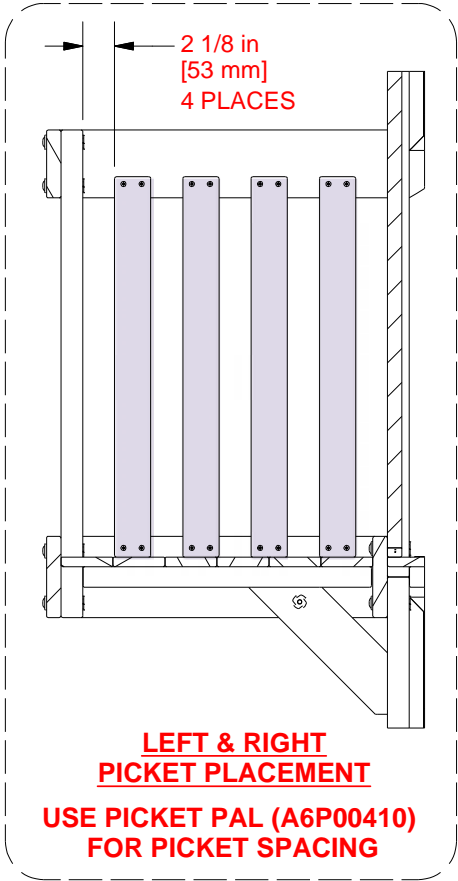


STEP 43 - FORT ASSEMBLY

QTY	PART NUMBER	DESCRIPTION
40	H100387	SCREW PFH 8x1-1/4 BLK

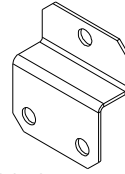
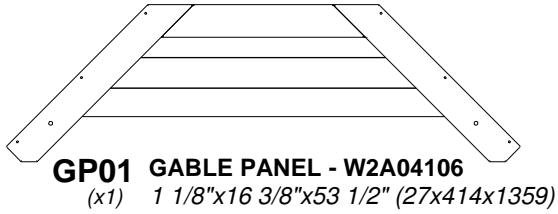
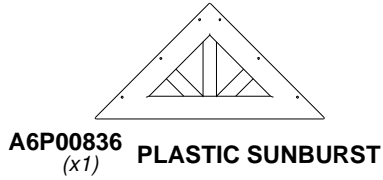


N02 PICKET - W4L19044
(x10) 5/8"x2 3/8"x24 3/4" (16x60x628)

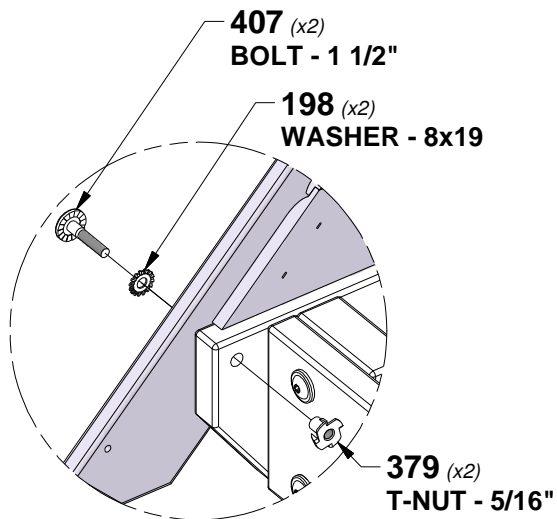


STEP 44 - FORT ASSEMBLY

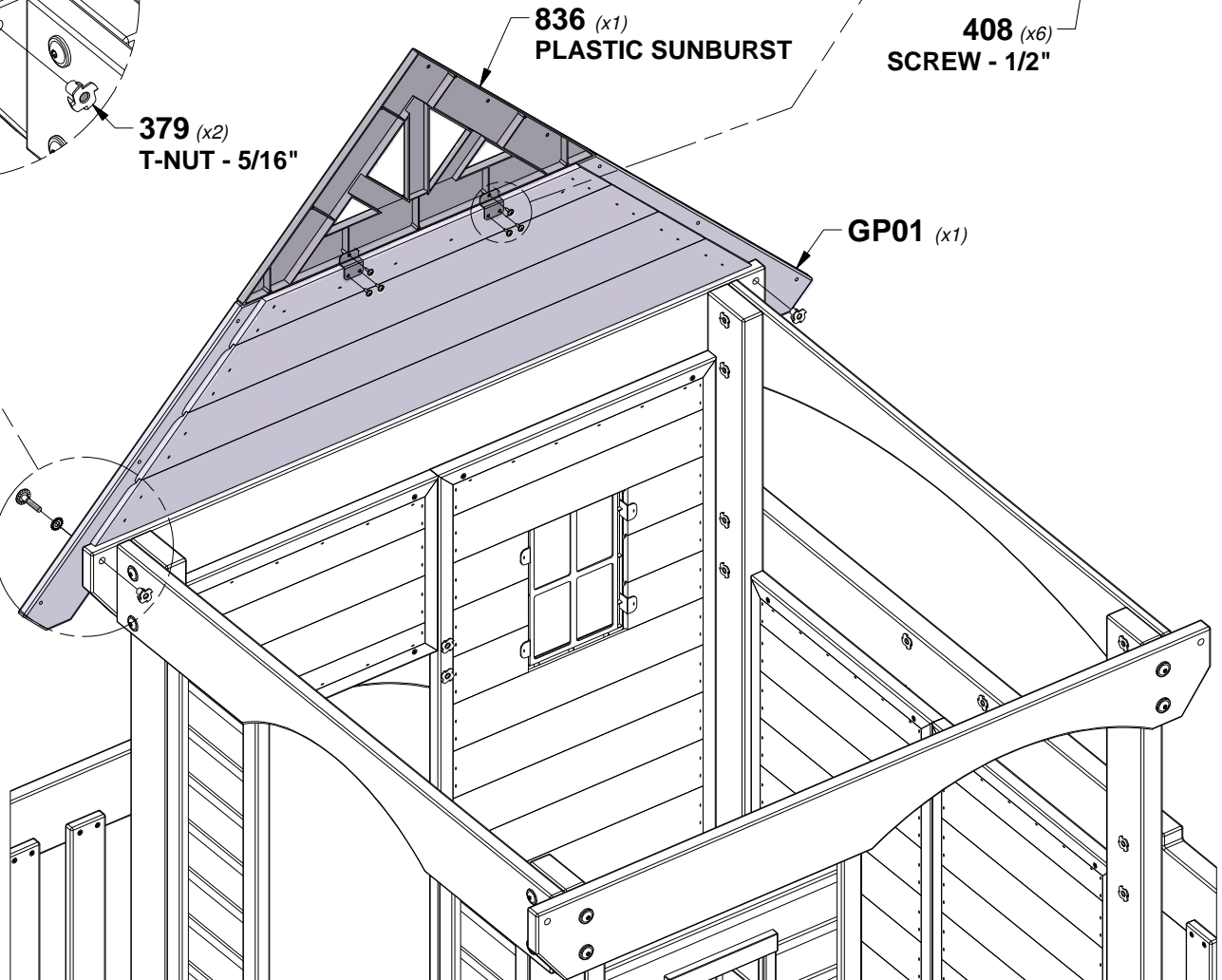
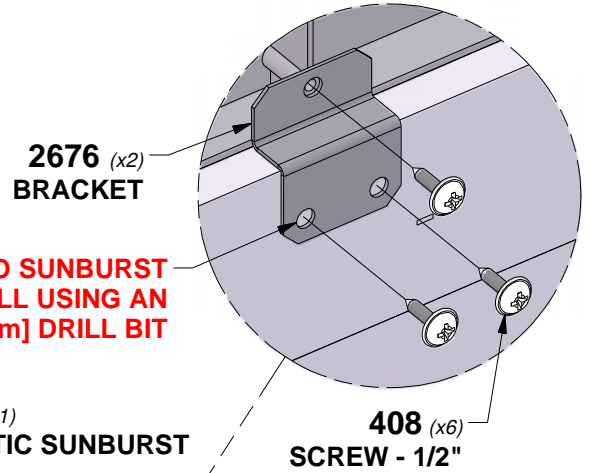
QTY	PART NUMBER	DESCRIPTION
2	H100198	WASHER LOCK EXT 8x19 BLK
2	H100379	T-NUT 5/16 BLK
2	H100407	BOLT WH 5/16x1 1/2 BLK
6	H100408	SCREW PWH 8x1/2 BLK



TIP:
INSTALL T-NUTS IN WOOD FIRST

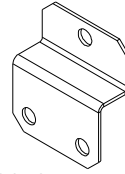
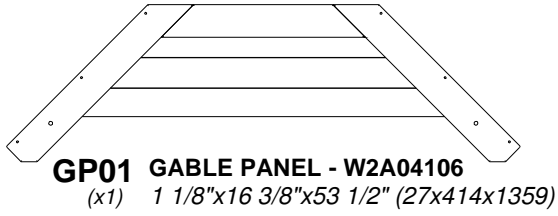
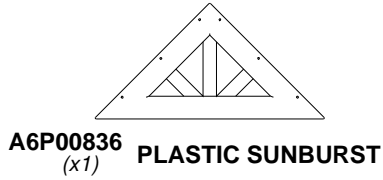


**INSTALL BRACKET TO SUNBURST
THEN PRE-DRILL USING AN
1/8" [3mm] DRILL BIT**

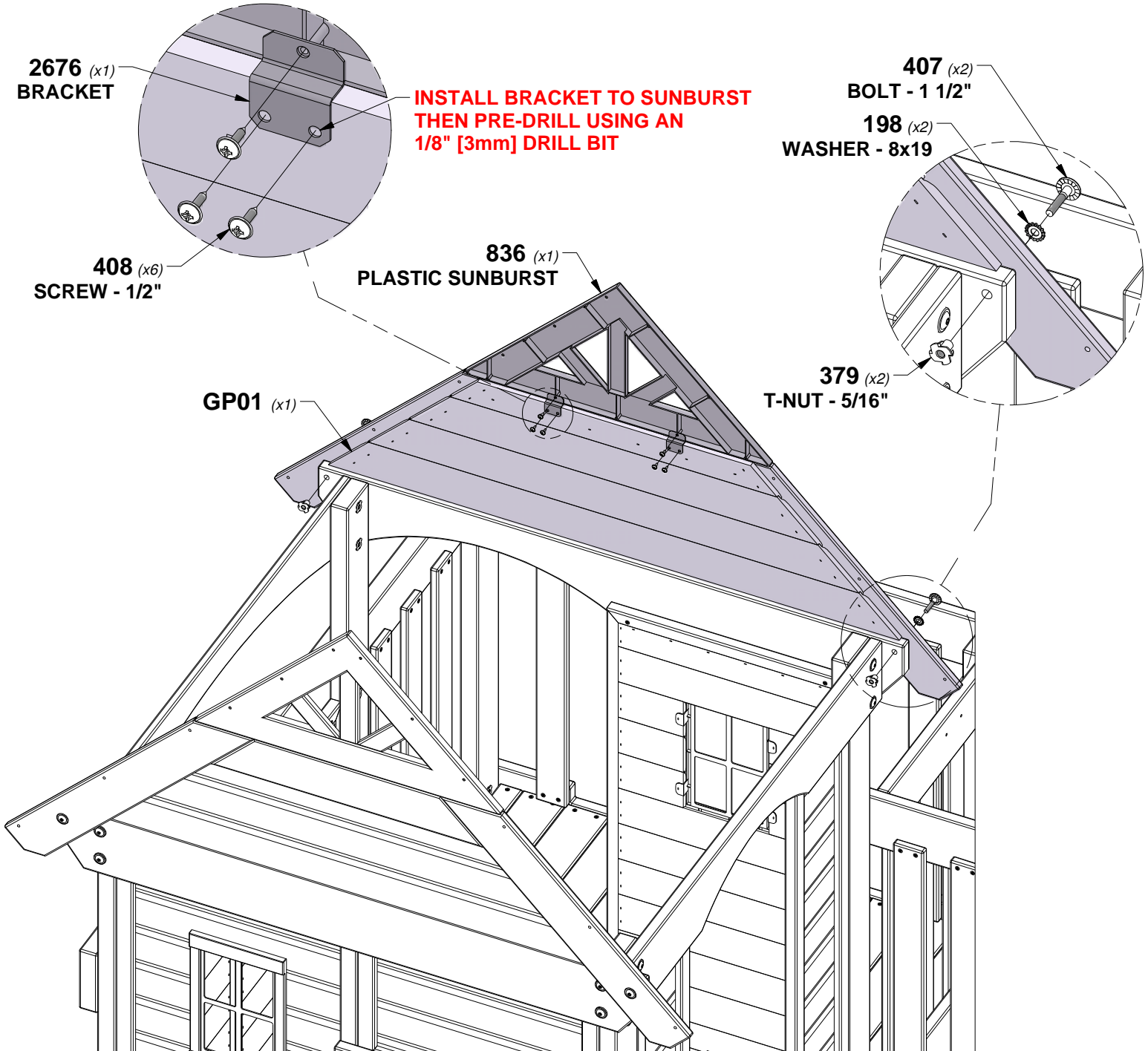


STEP 45 - FORT ASSEMBLY

QTY	PART NUMBER	DESCRIPTION
2	H100198	WASHER LOCK EXT 8x19 BLK
2	H100379	T-NUT 5/16 BLK
2	H100407	BOLT WH 5/16x1 1/2 BLK
6	H100408	SCREW PWH 8x1/2 BLK

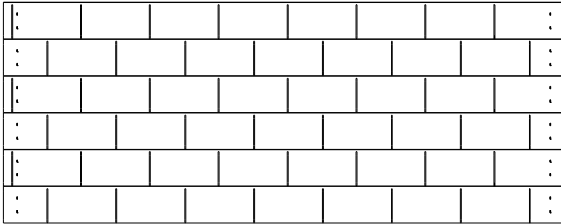


TIP:
INSTALL T-NUTS IN WOOD FIRST

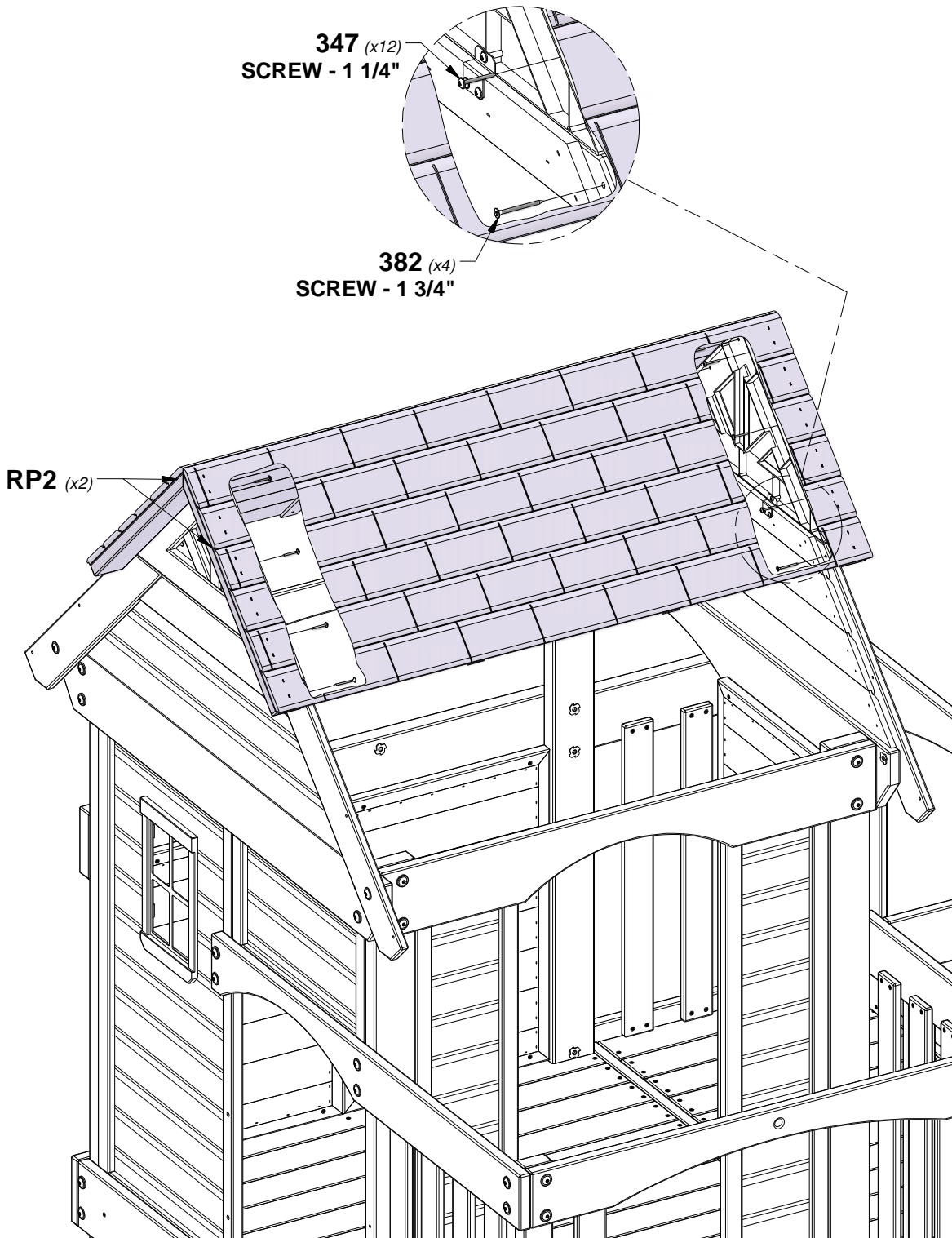


STEP 46 - FORT ASSEMBLY

QTY	PART NUMBER	DESCRIPTION
12	H100347	SCREW PWH 8x1-1/4 WZ
4	H100382	SCREW PFH 8x1 3/4 BLK

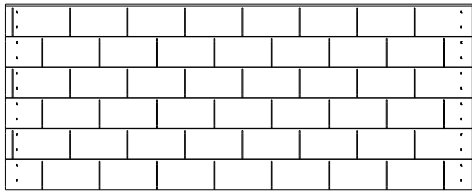


RP2 TOP ROOF PANEL - W2A04115
 (x2) 1 3/8"x19 1/8"x48 5/8" (35x486x1236)



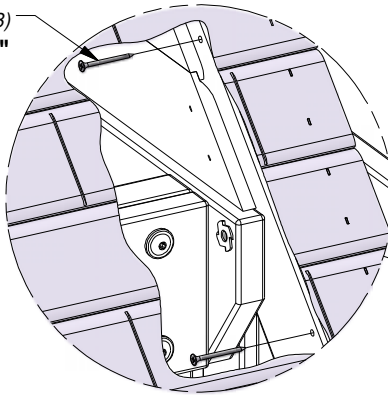
STEP 47 - FORT ASSEMBLY

QTY	PART NUMBER	DESCRIPTION
8	H100382	SCREW PFH 8x1 3/4 BLK

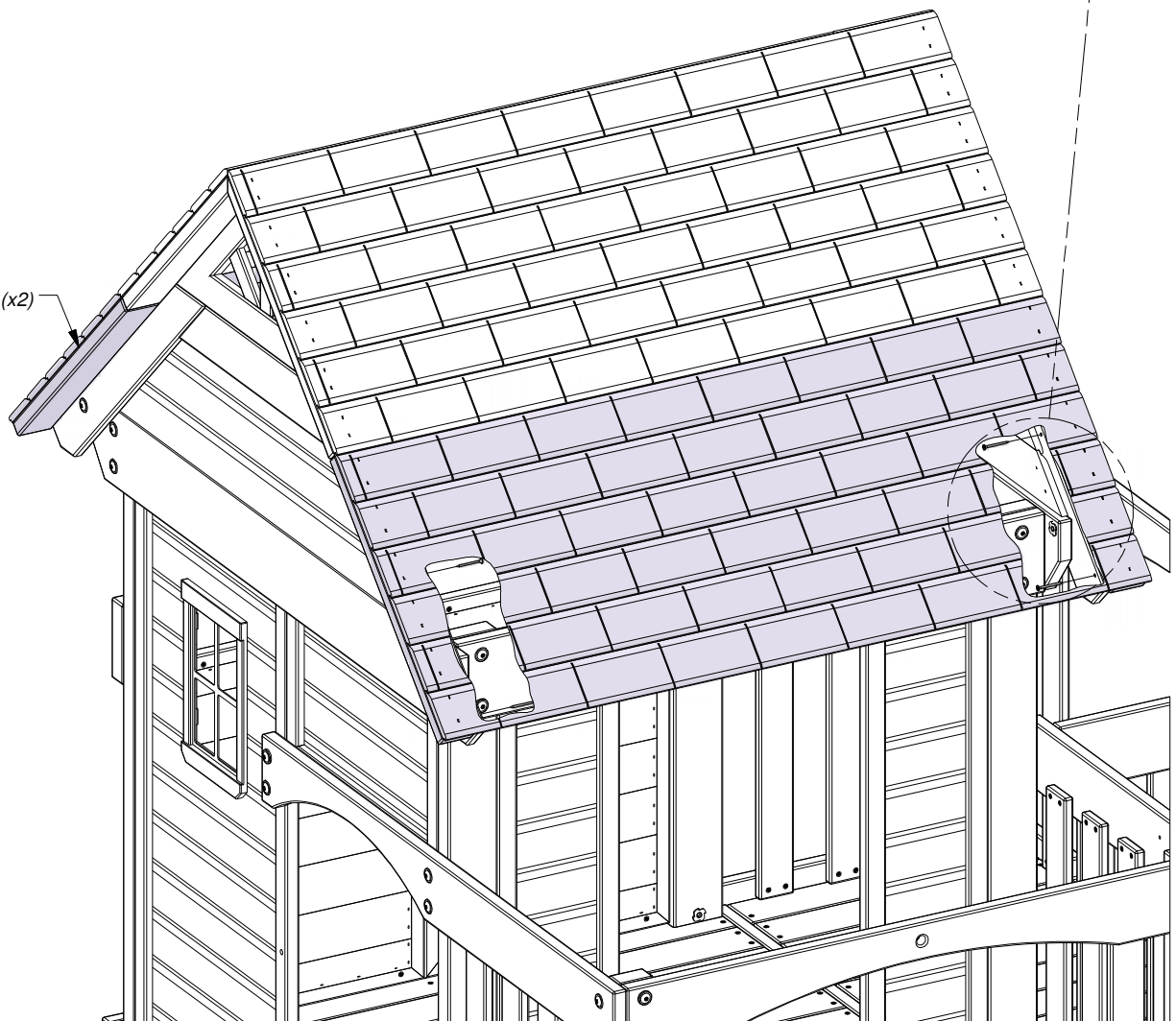


RP1 LOWER ROOF PANEL - W2A04114
(x2) 1 3/8"x19 3/8"x48 5/8" (35x491x1236)

382 (x8)
SCREW - 1 3/4"

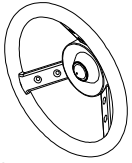


RP1 (x2)



STEP 48 - FORT ASSEMBLY

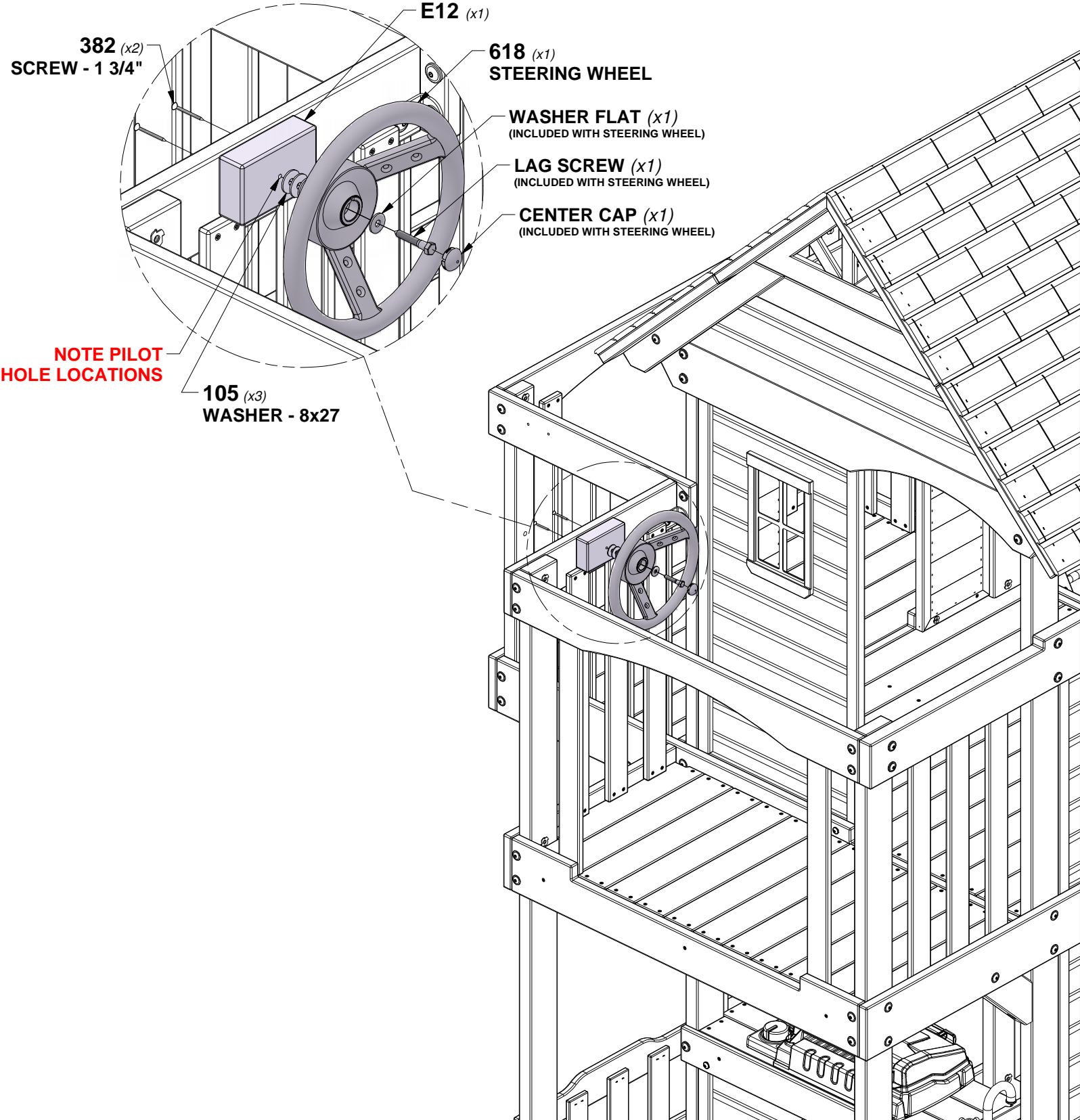
QTY	PART NUMBER	DESCRIPTION
2	H100382	SCREW PFH 8x1 3/4 BLK
3	H100105	WASHER FLAT 8x27



A6P00618
(x1) **STEERING WHEEL**

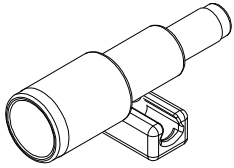
E12 MOUNTING BLOCK - W4L19098
(x1) 1 3/8"x3"x4 3/4" (36x76x120)

TIP:
ALIGN PILOT HOLES



STEP 49 - FORT ASSEMBLY

QTY	PART NUMBER	DESCRIPTION
2	H100382	SCREW PFH 8x1 3/4 BLK
2	H100387	SCREW PFH 8x1-1/4 BLK

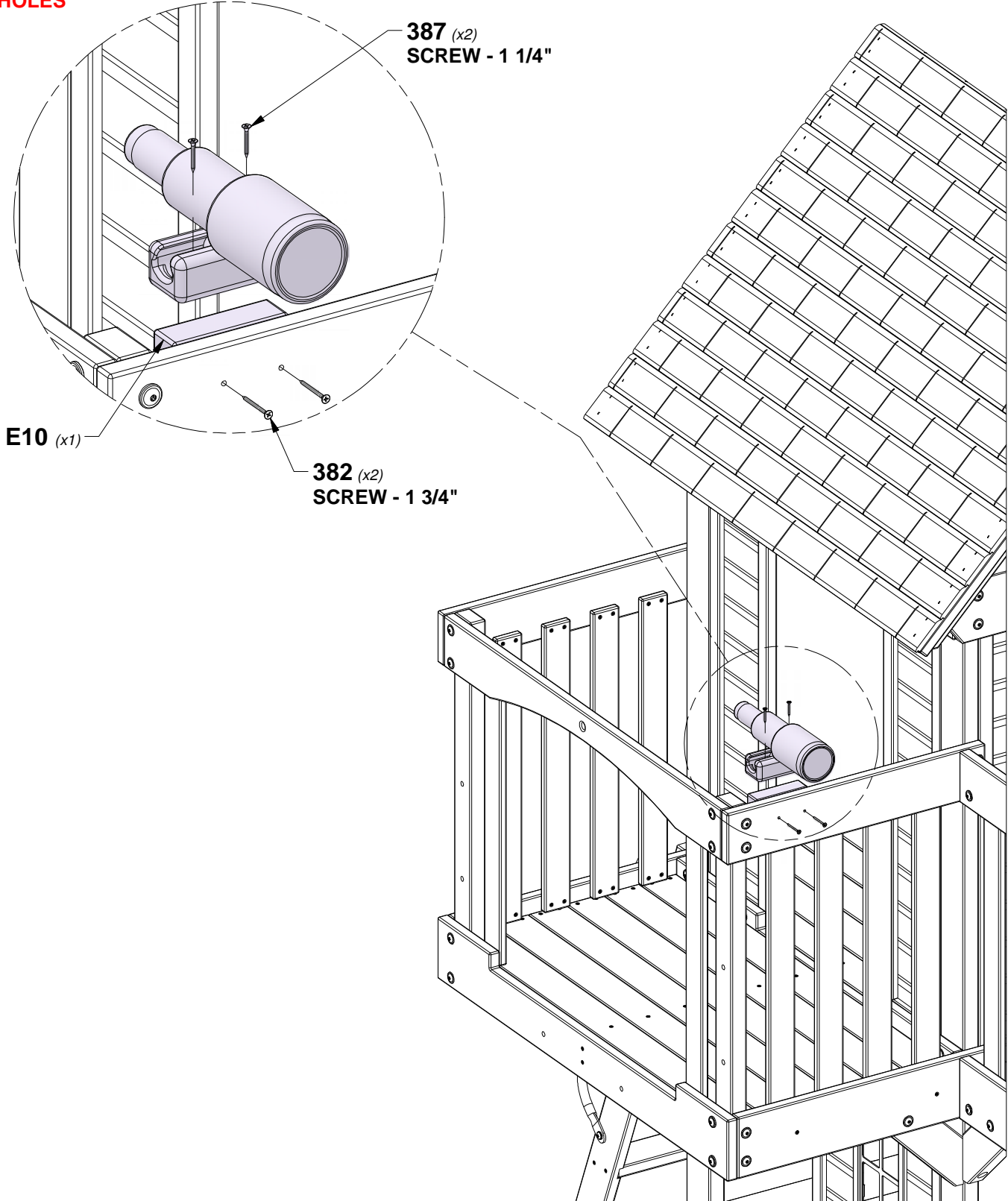


A6P00596
(x1) **TELESCOPE**



E10 MOUNTING BLOCK - W4L19097
(x1) 1 3/8"x3"x4 3/4" (36x76x120)

TIP:
ALIGN PILOT HOLES

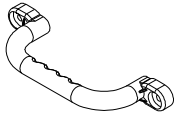


387 (x2)
SCREW - 1 1/4"

E10 (x1)

382 (x2)
SCREW - 1 3/4"

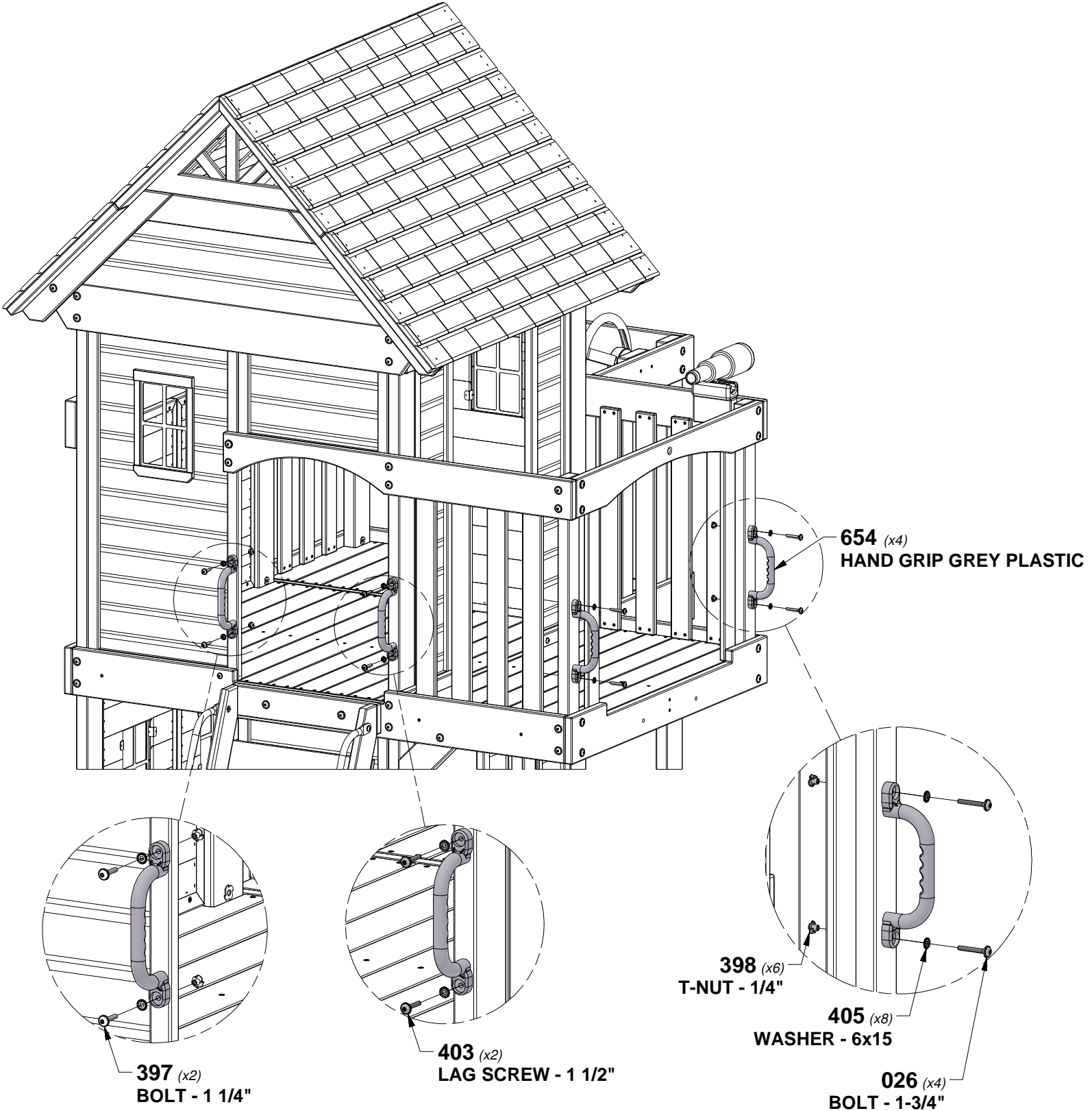
STEP 50 - FORT ASSEMBLY



A6P00654 HAND GRIP
(x4) **GREY PLASTIC**

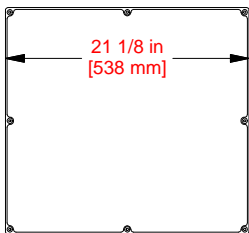
QTY	PART NUMBER	DESCRIPTION
2	H100397	BOLT WH 1/4x1-1/4 BLK
6	H100398	T-NUT 1/4 BLK
2	H100403	LAG SCREW WH 1/4x1-1/2 BLK
8	H100405	WASHER LOCK EXT 6x15 BLK
4	H101026	BOLT WH 1/4x1-3/4 BLK

TIP:
INSTALL T-NUTS IN WOOD FIRST



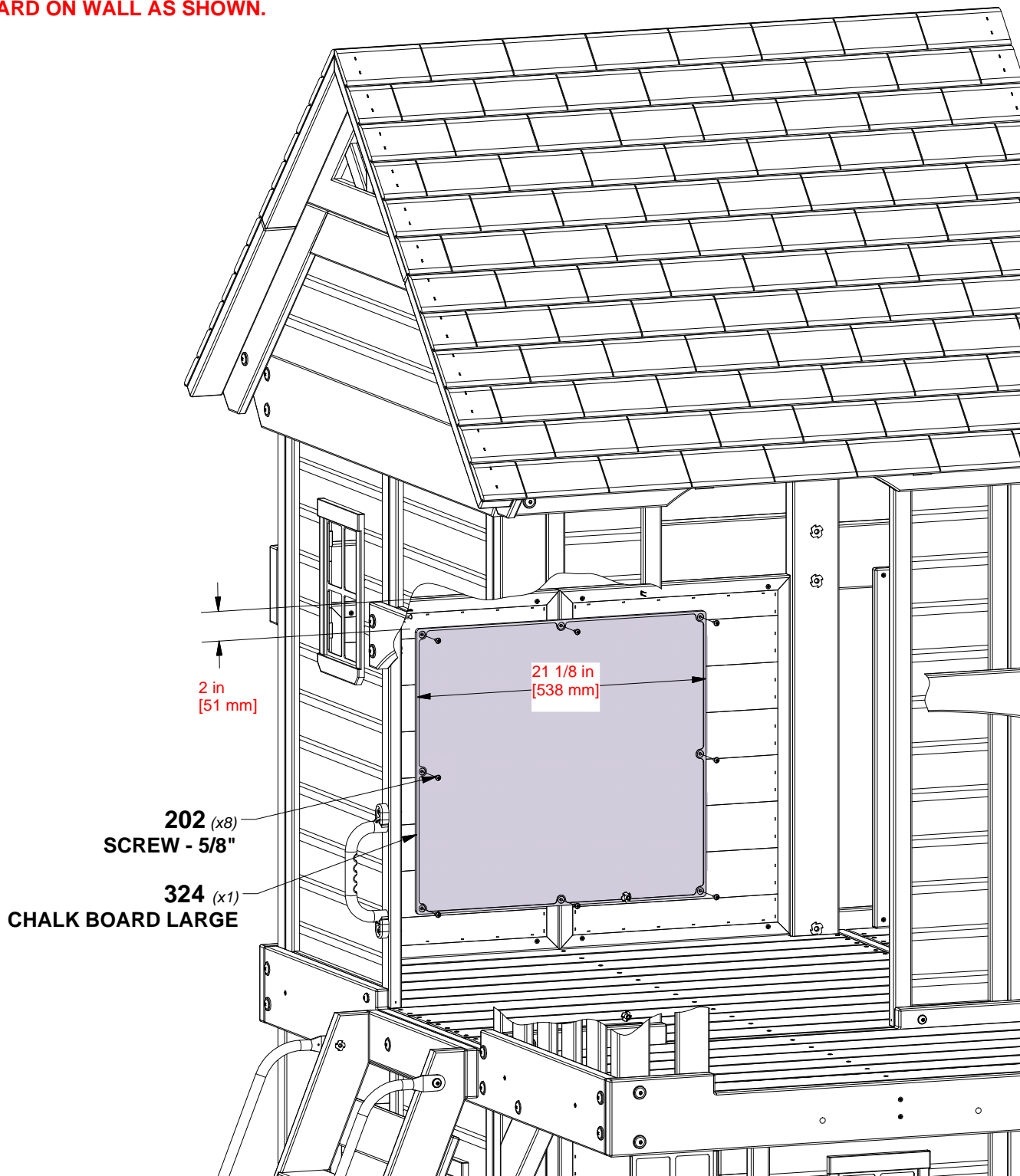
STEP 51 - FORT ASSEMBLY

QTY	PART NUMBER	DESCRIPTION
8	H100202	SCREW PWH 8x5/8 BLK



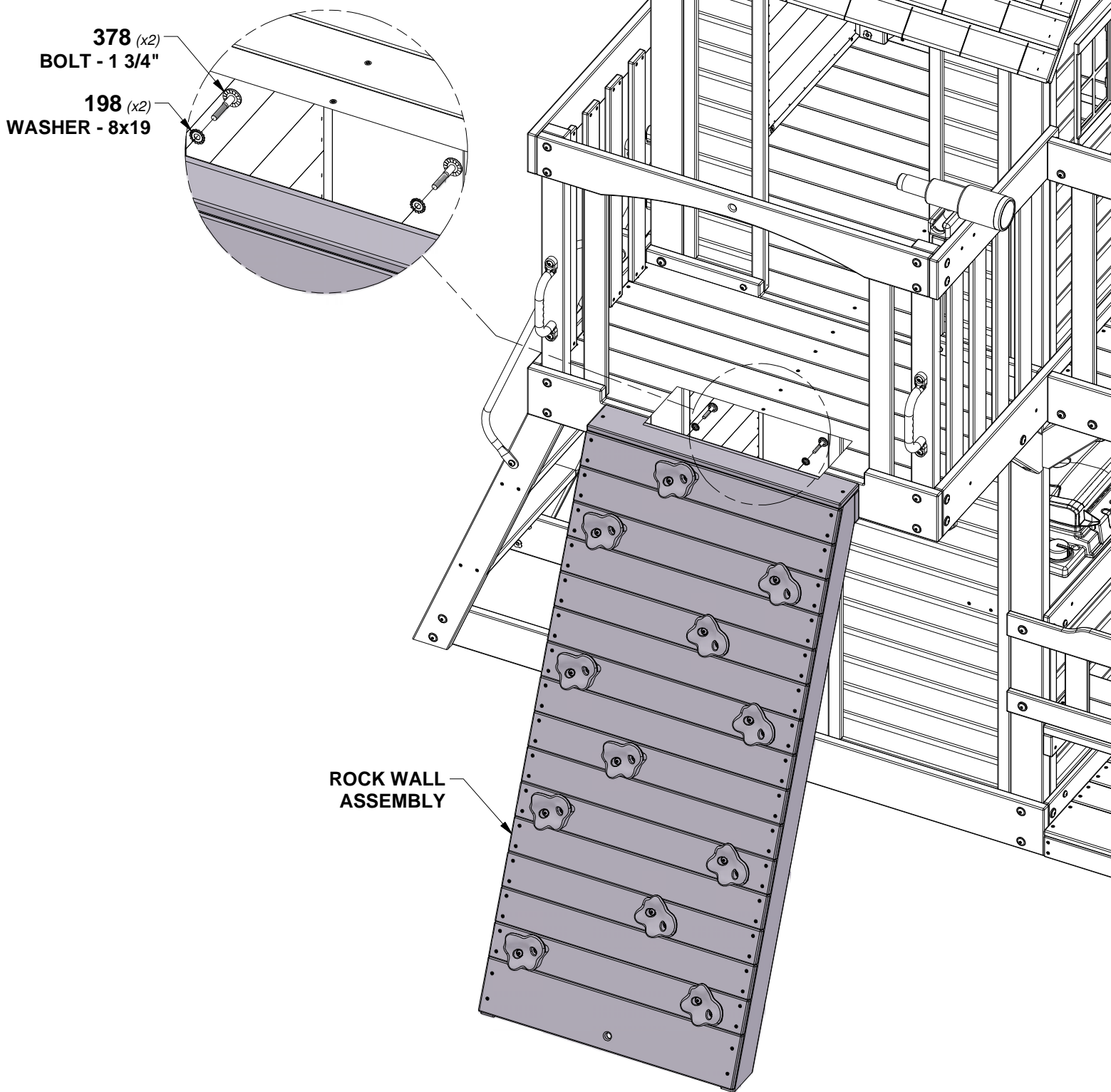
**A6P00324 CHALK BOARD
(x1) LARGE**

TIP:
CENTER CHALK BOARD ON WALL AS SHOWN.



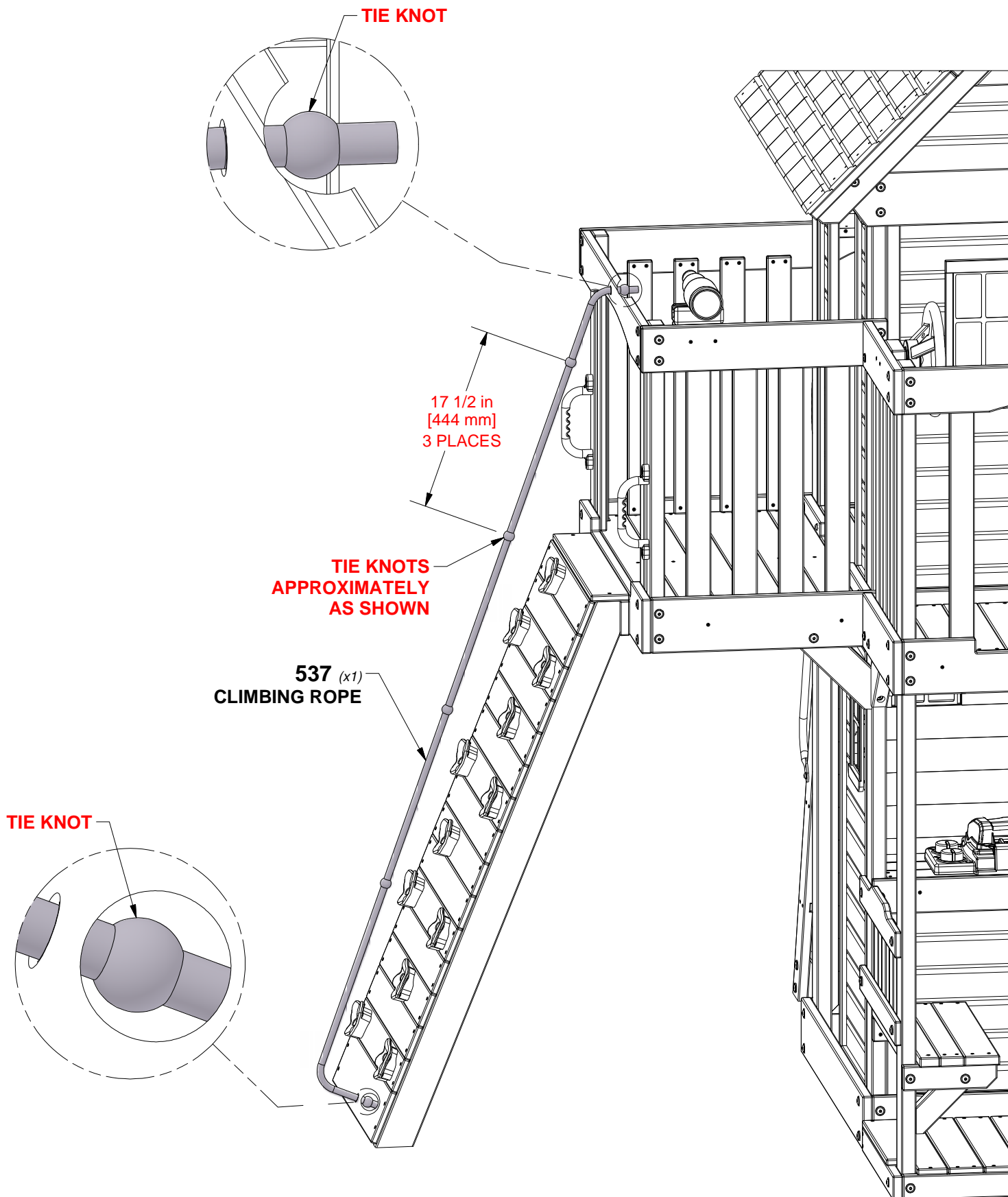
STEP 1 - FINAL ASSEMBLY

QTY	PART NUMBER	DESCRIPTION
2	H100198	WASHER LOCK EXT 8x19 BLK
2	H100378	BOLT WH 5/16x1 3/4 BLK



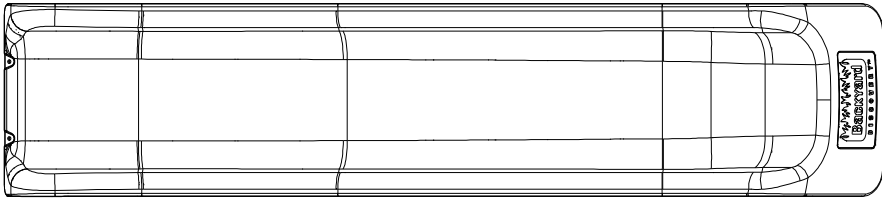
STEP 2 - FINAL ASSEMBLY

A6P00537
(x1) CLIMBING ROPE

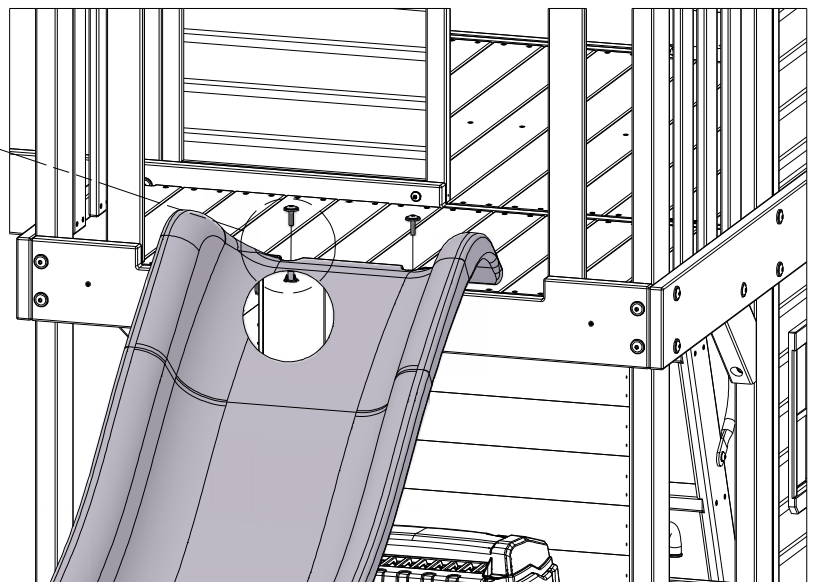
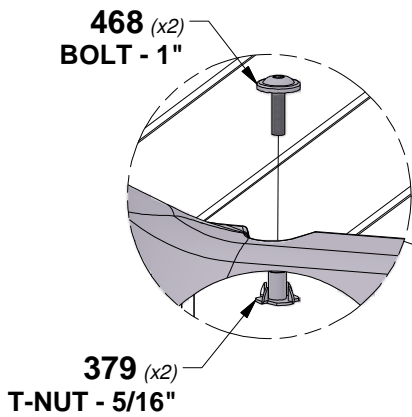
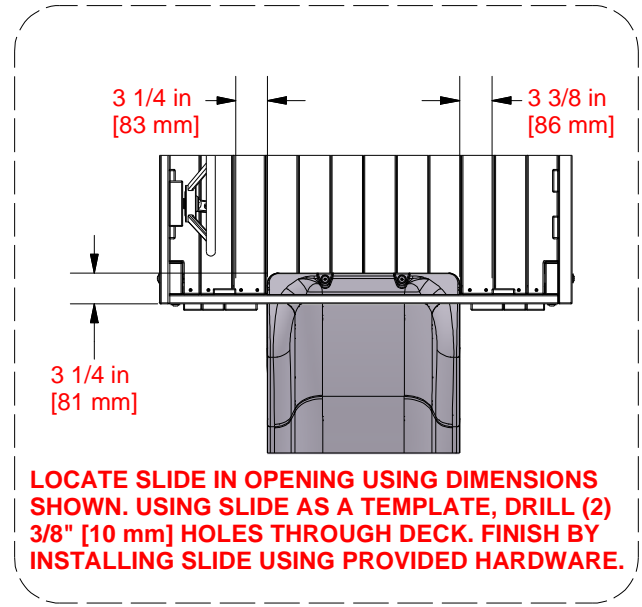
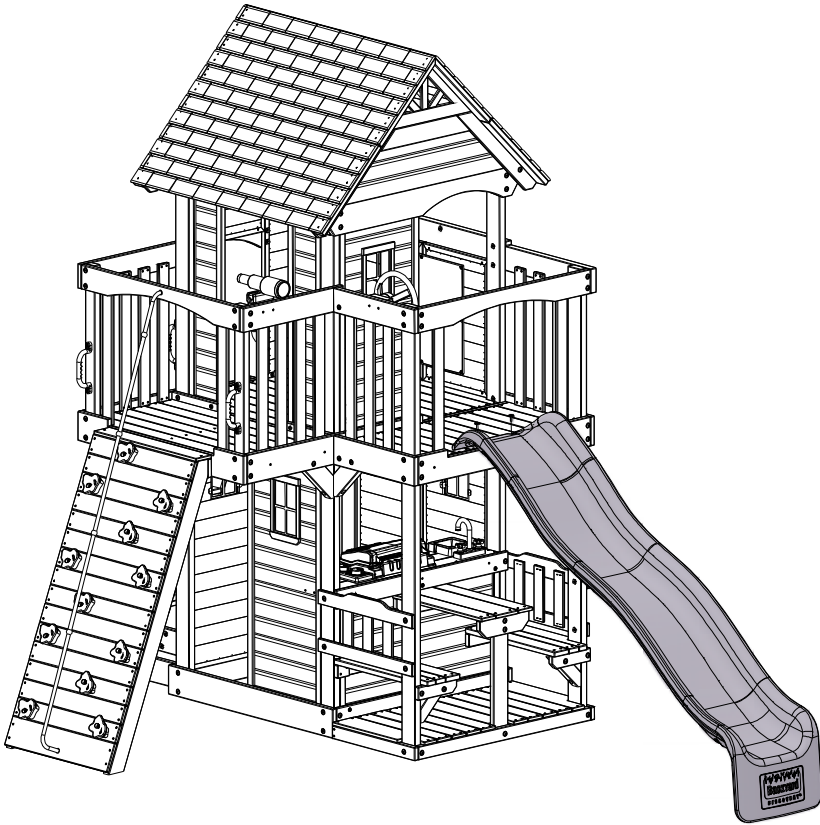


STEP 3 - FINAL ASSEMBLY

QTY	PART NUMBER	DESCRIPTION
2	H100379	T-NUT 5/16 BLK
2	H100468	BOLT WH 5/16x1 BLK

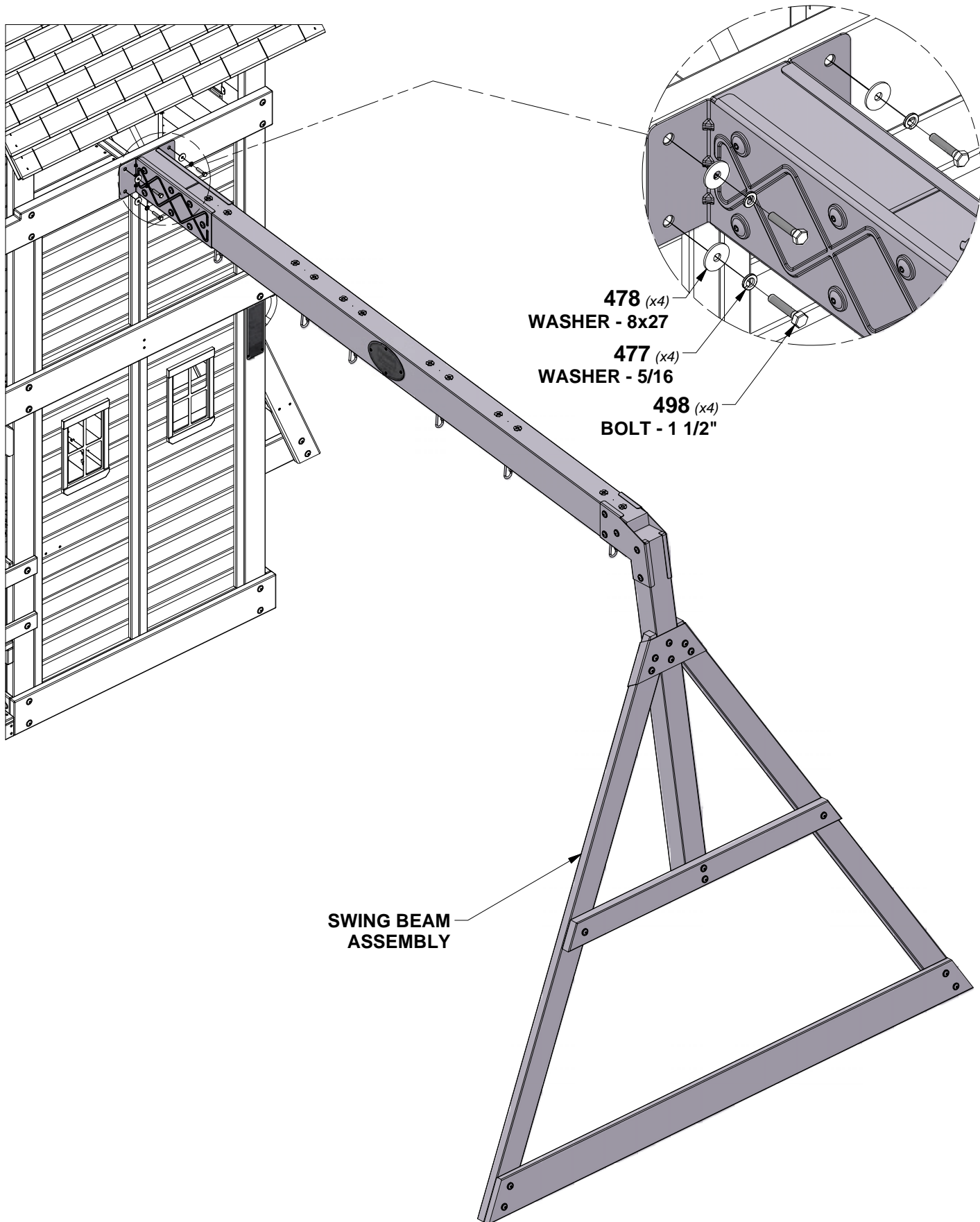


A6P00554
(x1) **8' BLOW MOLDED SLIDE - GREY**



STEP 4 - FINAL ASSEMBLY

QTY	PART NUMBER	DESCRIPTION
4	H100477	WASHER SPLIT 5/16 BLK
4	H100478	WASHER FLAT 8x27 BLK
4	H100498	BOLT HEX 5/16x1-1/2 - BLK

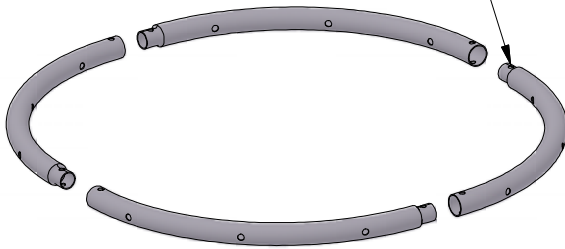


STEP 1 - WEB SWING ASSEMBLY

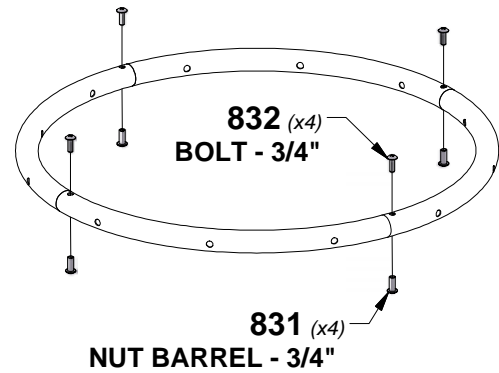
QTY	PART NUMBER	DESCRIPTION
4	H100831	NUT BARREL PTH BLK 1/4x3/4
4	H100832	BOLT PTH 1/4x3/4

IMPORTANT: SLIDE ROPE LOOPS OVER TUBE ENDS FIRST!

SLIDE NARROW END OF TUBES INTO LARGER OPENING AFTER SLIDING ROPE LOOPS ONTO TUBES.

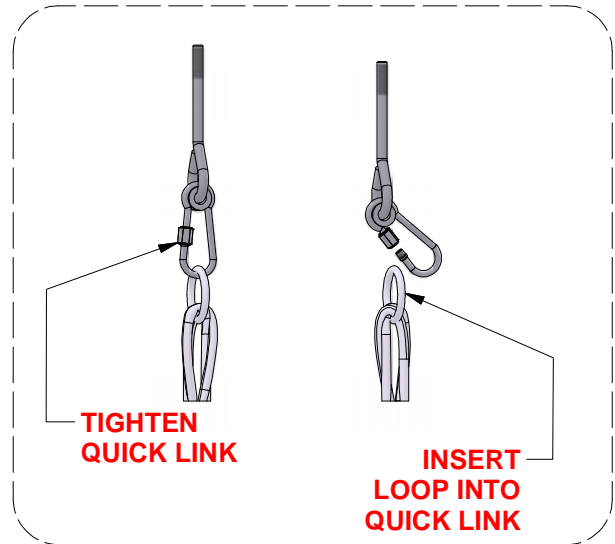
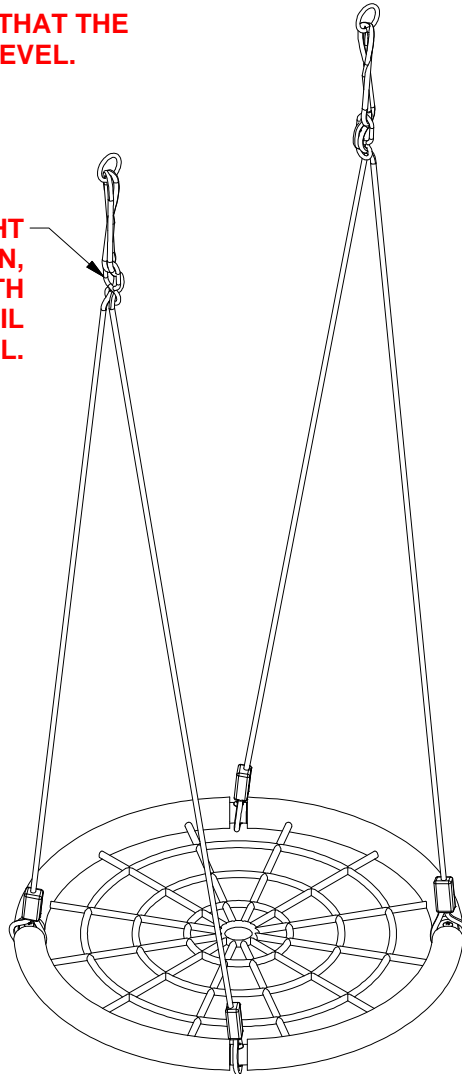


NOTE: ROPE WEBBING NOT SHOWN IN ILLUSTRATION FOR CLARITY.



NOTE: IT IS IMPORTANT THAT THE WEB SWING HANG LEVEL.

TO ENSURE STRAIGHT SWINGING MOTION, ADJUST BOTH "S" BRACKETS UNTIL WEB SEAT IS LEVEL.



SWING MUST BE SET AT A MINIMUM OF 13 7/8 INCHES [35 cm] OFF THE GROUND WHEN INSTALLED.

STEP 5 - FINAL ASSEMBLY

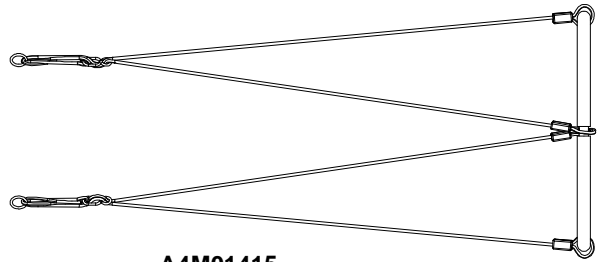
A6P00708
(x4) **ROPE-CHAIN BLACK 51.25"**



A6P00595
(x2) **SWING SEAT GREY 22"**

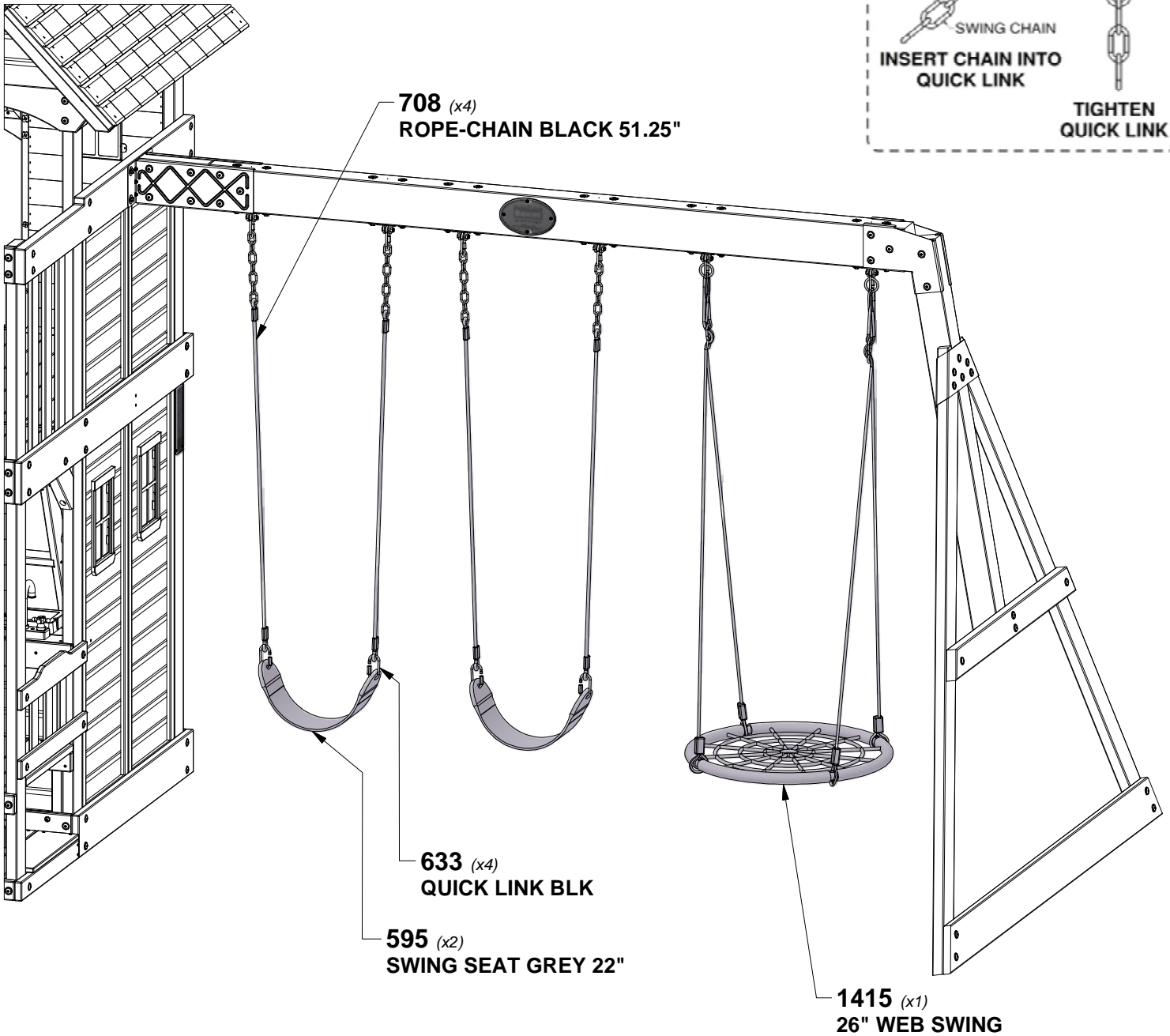
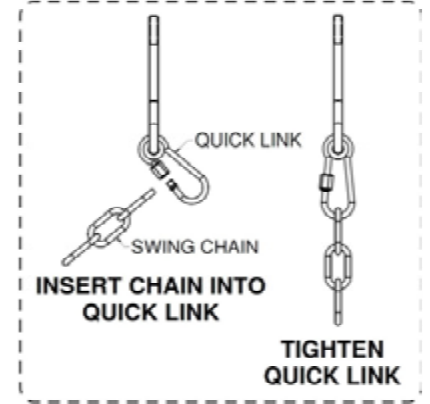


A4M00633
(x4) **QUICK LINK BLK**



A4M01415
(x1) **26" WEB SWING**

WHEN HANGING YOUR SWINGS IT IS RECOMMENDED THAT THE BOTTOM OF THE SWING SEAT, WHEN SITTING ON IT, IS LOCATED NO LOWER THAN (35 cm) 13 7/8 INCHES FROM THE GROUND.



708 (x4)
ROPE-CHAIN BLACK 51.25"

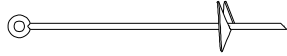
633 (x4)
QUICK LINK BLK

595 (x2)
SWING SEAT GREY 22"

1415 (x1)
26" WEB SWING

STEP 6 - FINAL ASSEMBLY

QTY	PART NUMBER	DESCRIPTION
6	H100379	T-NUT 5/16 BLK
6	H100459	BOLT WH 5/16x1 1/4 BLK



A4M02252 AUGER GROUND STAKE
(x6)

TWIST GROUND STAKE INTO GROUND AT LOCATIONS SHOWN. USING AUGER STAKE AS A GUIDE, DRILL A 3/8" [10mm] HOLE FOR HARDWARE.

