



Manufactured by:  
Backyard Discovery  
3305 Airport Drive, Pittsburg, KS 66762  
800-856-4445

Basepoint Business Centre: Rivermead Drive, Westlea, Swindon SN5 7EX Phone: 0800-118-2476  
J.P. Coenstraat 7, The Bridge, The Hague, 2595 WP, Netherlands Phone: 08005678990

# LARKSPUR METAL GREENHOUSE

## MODEL #: 2404212



### WARNING

Cancer and Reproductive Harm  
[www.P65Warnings.ca.gov](http://www.P65Warnings.ca.gov)



Please visit [www.backyarddiscovery.com](http://www.backyarddiscovery.com)  
For the most up to date assembly manual, to register your product, or to order  
replacement parts Para obtener instrucciones en español, visite  
[www.backyarddiscovery.com](http://www.backyarddiscovery.com)



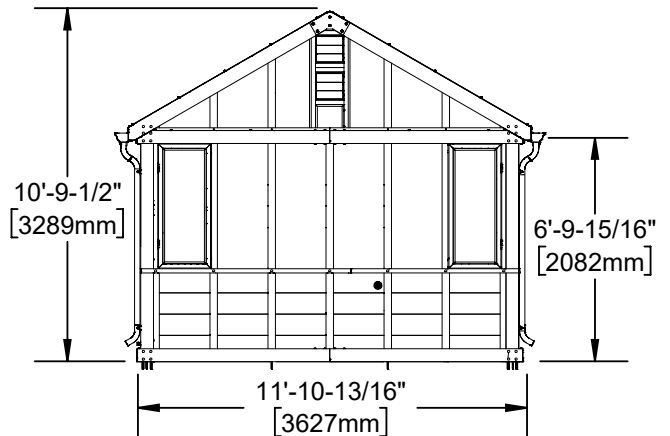
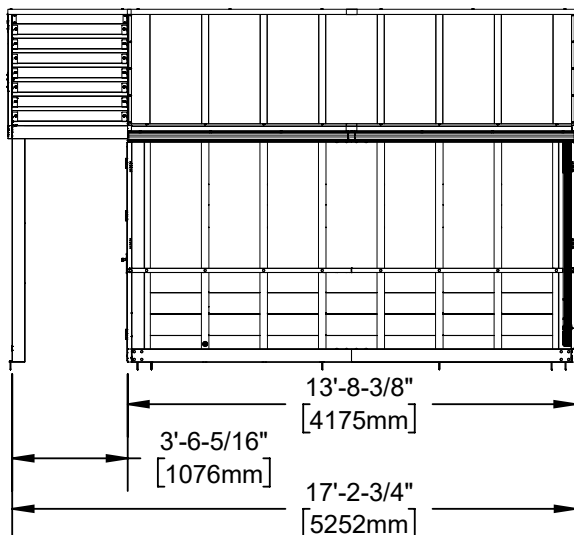
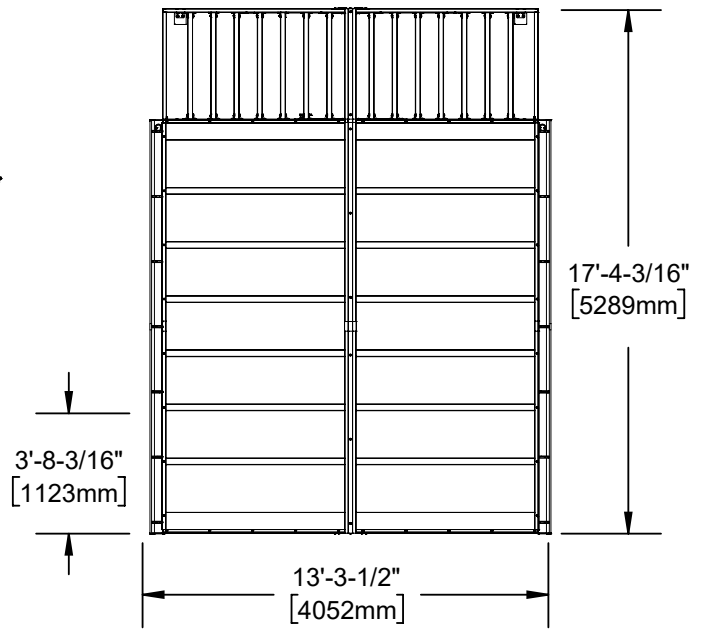
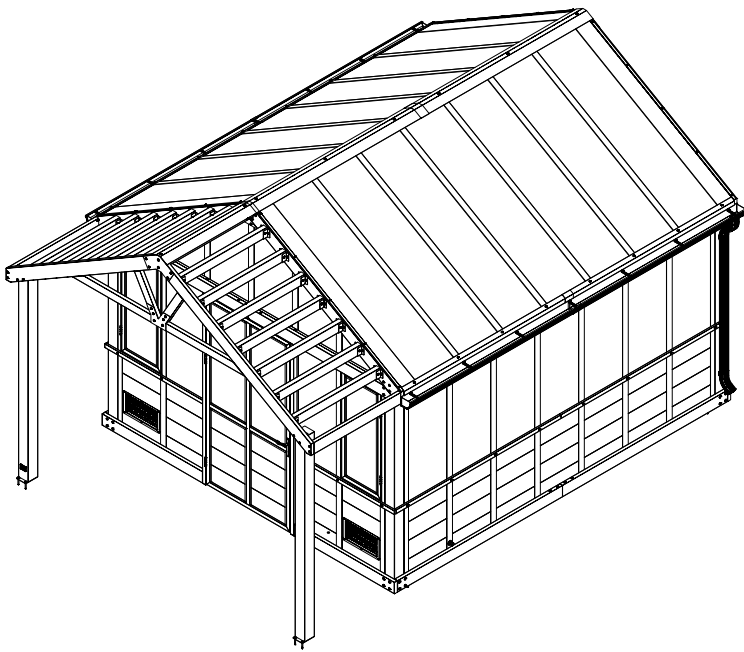
EASY STEP-BY-STEP  
3D INTERACTIVE INSTRUCTIONS  
DOWNLOAD THE FREE APP



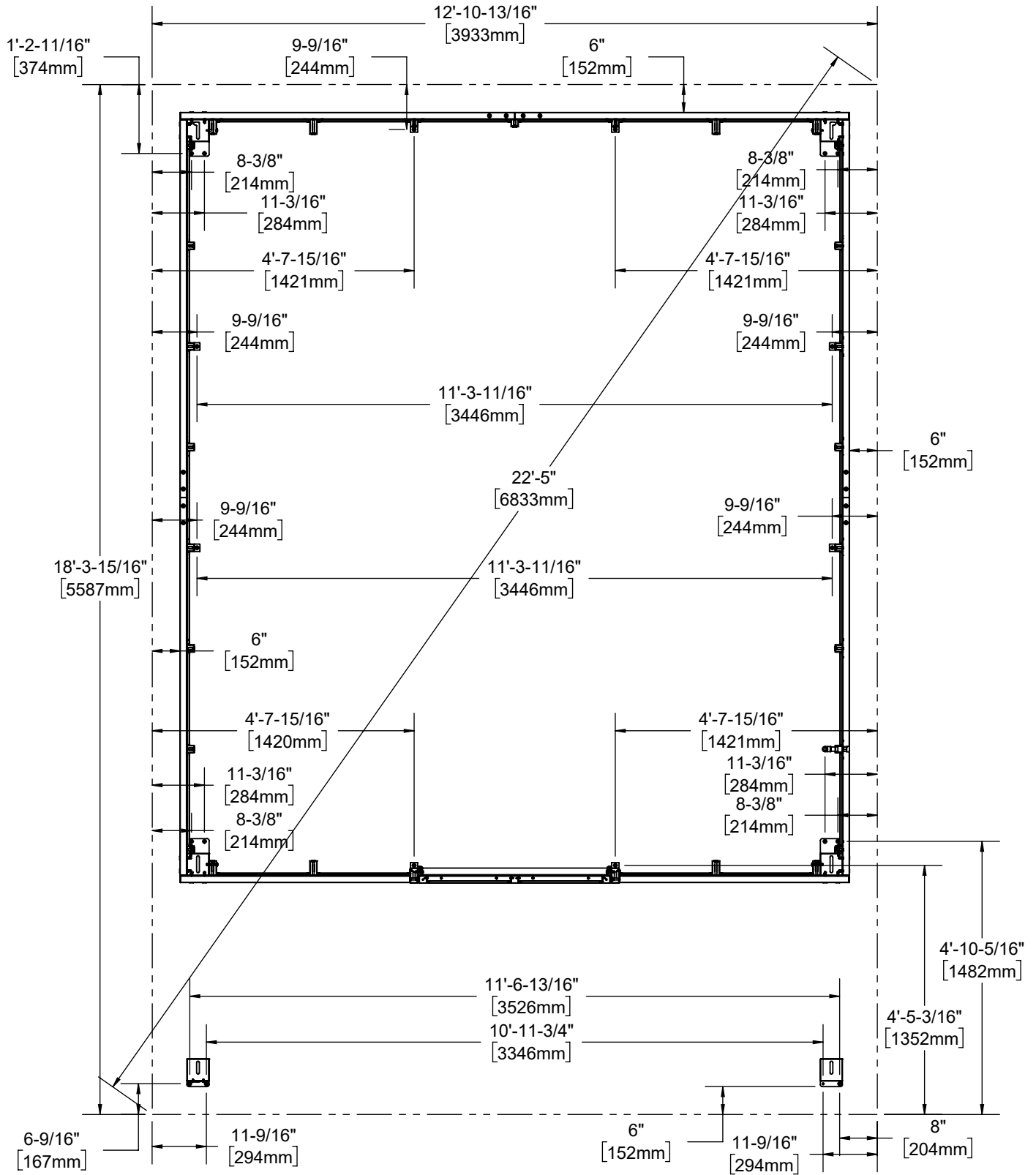
# OWNER'S MANUAL - BASIC SETUP DIMENSIONS & ASSEMBLY NOTES

It is critically important that you start with square and level footings or concrete pad to attach your structure

1. Check you local building and city codes for permit requirements or restrictions, including any Home Owner's Association (HOA) restrictions.
2. Select a location with lots of sun, good drainage, and the ability to create a level, firm surface for your greenhouse.
  - A firm, level surface is critically important to the longevity of your greenhouse
  - Ensure it is accessible on all sides to clean and conduct annual maintenance
  - Consider a site location with a close proximity to both water and electrical sources
  - Make sure site drains well and avoid low lying areas
  - For recommended area for site preparation see ANCHORING LAYOUT page
3. Before preparing your site - double check for underground utilities (ex: gas, cable, or sprinkler lines)
4. Pay close attention to the items needed for each step. Make sure you are using the correct hardware for each step. Using incorrect hardware may result in improper assembly.
5. Permanently Anchoring your Greenhouse:
  - The hardware to mount your greenhouse permanently to a concrete surface is included. This is the recommended anchoring method.
  - The hardware to mount your greenhouse into a ground surface, such as through gravel into the ground, is included.
  - It is NOT recommended to set your greenhouse directly on soil or grass as this will shorten the lifespan of your greenhouse.
  - The hardware to mount the greenhouse to a wood deck is NOT included and will need to be purchased separately. You must ensure there is ample structural support under the deck before permanently attaching.



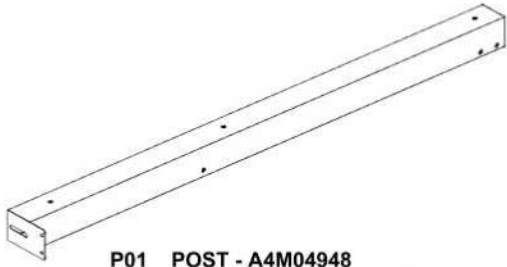
# OWNER'S MANUAL - ANCHORING LAYOUT



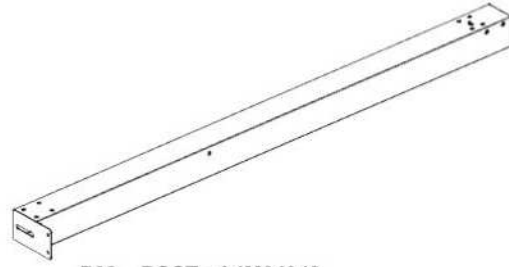
**NOTE: DIMENSIONS ARE TO ANCHOR PLATES MOUNTED TO POSTS EXCEPT WHERE NOTED.**

# OWNER'S MANUAL - PARTS IDENTIFICATION

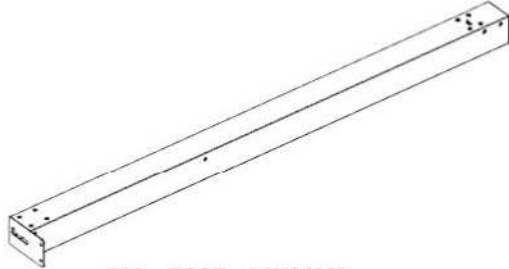
METAL COMPONENTS (NOT TO SCALE)



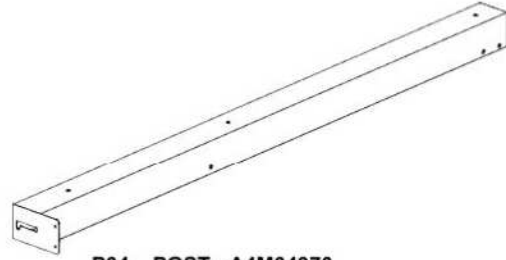
**P01 POST - A4M04948**  
(x1) 87 7/8"x7 7/8"x4 3/4" (120x200x2232)



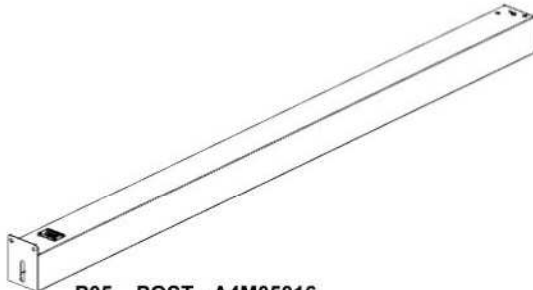
**P02 POST - A4M04949**  
(x1) 87 7/8"x7 7/8"x4 3/4" (120x200x2232)



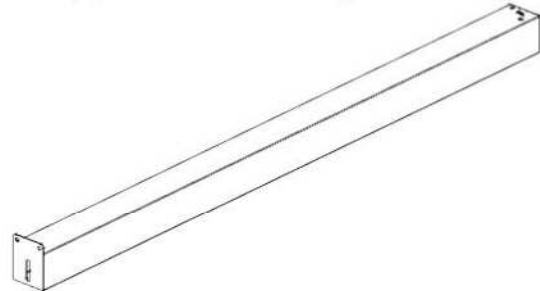
**P03 POST - A4M04969**  
(x1) 87 7/8"x7 7/8"x4 3/4" (120x200x2232)



**P04 POST - A4M04970**  
(x1) 87 7/8"x7 7/8"x4 3/4" (120x200x2232)



**P05 POST - A4M05016**  
(x1) 86 7/8"x5 7/8"x4 3/4" (120x150x2206)



**P06 POST - A4M05017**  
(x1) 86 7/8"x5 7/8"x4 3/4" (120x150x2206)



**B01 BEAM - A4M04951**  
(x2) 80 3/4"x3 1/8"x1 9/16" (40x80x2050.5)



**B02 BEAM - A4M04954**  
(x2) 80 3/4"x3 1/8"x1 9/16" (40x80x2050.5)



**B03 BEAM - A4M04956**  
(x2) 80 3/4"x4 13/16"x1 7/16" (36x122x2050.5)



**B04 BEAM - A4M04957**  
(x2) 80 3/4"x4 13/16"x1 7/16" (36x122x2050.5)



**B05 BEAM - A4M04958**  
(x1) 71 7/16"x4 13/16"x1 7/16" (36x122x1815)

# OWNER'S MANUAL - PARTS IDENTIFICATION

## METAL COMPONENTS (NOT TO SCALE)



**B06 BEAM - A4M04959**  
(x1) 71 7/16"x4 13/16"x1 7/16" (36x122x1815)



**B07 BEAM - A4M04960**  
(x1) 71 5/8"x4 13/16"x1 7/16" (36x122x1819)



**B08 BEAM - A4M04961**  
(x1) 71 5/8"x4 13/16"x1 7/16" (36x122x1819)



**B09 BEAM - A4M04962**  
(x1) 71 5/8"x4 13/16"x1 7/16" (36x122x1819)



**B10 BEAM - A4M04963**  
(x1) 71 5/8"x4 13/16"x1 7/16" (36x122x1819)



**B11 BEAM - A4M04994**  
(x1) 49 1/8"x4 13/16"x1 7/16" (36x122x1248)



**B12 BEAM - A4M04995**  
(x1) 49 1/8"x4 13/16"x1 7/16" (36x122x1248)



**B13 BEAM - A4M05004**  
(x2) 80 13/16"x3 1/8"x1 9/16" (40x80x2052)



**B14 BEAM - A4M05005**  
(x2) 80 13/16"x3 1/8"x1 9/16" (40x80x2052)



**B15 RIDGE BEAM - A4M05006**  
(x1) 82 3/16"x5 1/4"x1 7/16" (36x134x2088)



**B16 RIDGE BEAM - A4M05007**  
(x1) 82 3/16"x5 1/4"x1 7/16" (36x134x2088)



**B17 RIDGE BEAM - A4M05321**  
(x1) 43 3/4"x5 1/4"x1 7/16" (36x134x1112)



**B18 PERGOLA BEAM - A4M05020**  
(x2) 1 7/16"x4 13/16"x42 7/16" (36x122x1077.7)

# OWNER'S MANUAL - PARTS IDENTIFICATION

METAL COMPONENTS (NOT TO SCALE)



R01 GABLE RAFTER - A4M04977  
(x1) 85 3/16"x5 1/4"x1 7/16" (36x134x2164.5)



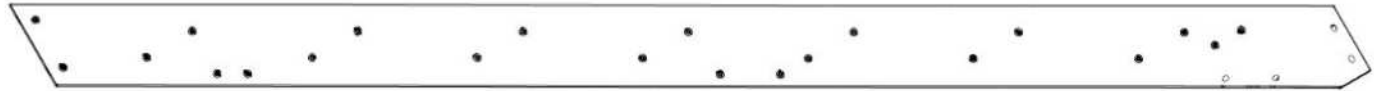
R02 GABLE RAFTER - A4M04978  
(x1) 85 3/16"x5 1/4"x1 7/16" (36x134x2164.5)



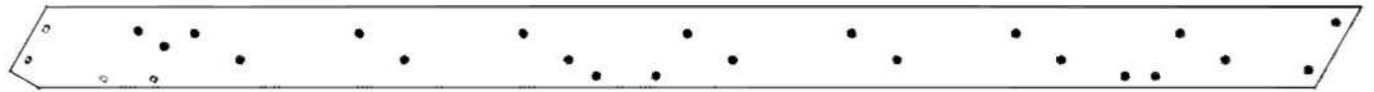
R03 GABLE RAFTER - A4M04979  
(x1) 85 3/16"x5 1/4"x1 7/16" (36x134x2164.5)



R04 GABLE RAFTER - A4M04980  
(x1) 85 3/16"x5 1/4"x1 7/16" (36x134x2164.5)



R05 PERGOLA RAFTER - A4M05018  
(x1) 85 3/16"x5 1/4"x1 7/16" (36x134x2164.5)



R06 PERGOLA RAFTER - A4M05019  
(x1) 85 3/16"x5 1/4"x1 7/16" (36x134x2164.5)



R07 RAFTER - A4M04999  
(x8) 85 3/16"x4 3/4"x3 1/8" (80x120x2163)



R08 RAFTER - A4M05009  
(x2) 85 3/16"x4 5/16"x3 1/8" (80x110x2163)



R09 RAFTER - A4M05010  
(x2) 85 3/16"x4 5/16"x3 1/8" (80x110x2163)



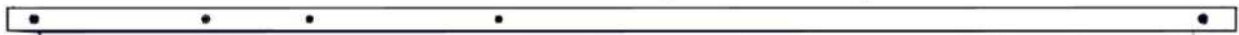
R10 RAFTER - A4M05011  
(x2) 85 3/16"x4 3/4"x3 1/8" (80x120x2163)



R11 RAFTER - A4M05012  
(x2) 85 3/16"x4 3/4"x3 1/8" (80x120x2163)

# OWNER'S MANUAL - PARTS IDENTIFICATION

## METAL COMPONENTS (NOT TO SCALE)



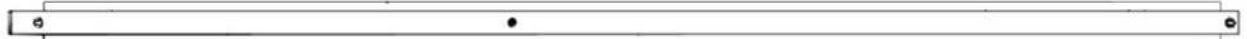
F01 UPRIGHT - A4M04964  
(x1) 83 7/8"x2 1/6"x1 9/16" (40x55.00x2130)



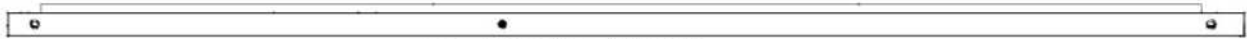
F02 UPRIGHT - A4M04965  
(x1) 82 5/16"x2 3/4"x1 9/16" (40x70.00x2090)



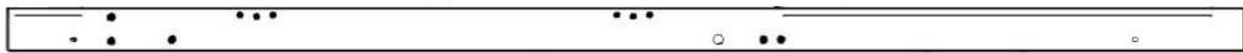
F03 UPRIGHT - A4M05416  
(x6) 82 5/16"x2 3/4"x1 9/16" (40x70.00x2090)



F04 UPRIGHT - A4M05417  
(x4) 82 5/16"x2 3/4"x2 3/4" (70x70x2090)



F05 UPRIGHT - A4M04976  
(x2) 83 7/8"x2 3/16"x1 9/16" (40x55x2130)



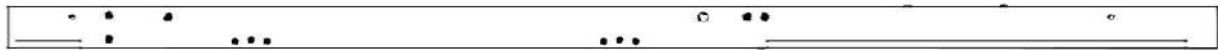
F06 UPRIGHT - A4M04982  
(x1) 89 3/16"x2 3/16"x3 1/8" (55x80x2265)



F07 UPRIGHT - A4M04984  
(x1) 101 9/16"x3 1/8"x2 3/4" (70x80x2580)



F08 UPRIGHT - A4M04985  
(x1) 101 9/16"x3 1/8"x2 3/4" (70x80x2580)



F09 UPRIGHT - A4M04983  
(x1) 89 3/16"x3 1/8"x1 9/16" (40x80x2265)



F10 UPRIGHT - A4M05420  
(x1) 82 3/4"x2 3/4"x1 9/16" (40x70x2102)



F11 UPRIGHT - A4M04990  
(x4) 29 13/16"x2 3/4"x1 9/16" (40x70x758)



F12 UPRIGHT - A4M04991  
(x1) 83 7/8"x2 3/16"x1 9/16" (40x55.00x2130)



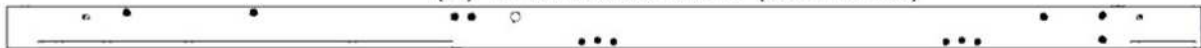
F13 UPRIGHT - A4M05038  
(x1) 82 5/16"x2 3/4"x1 9/16" (40x70x2103)



F14 DOOR UPRIGHT - A4M04992  
(x1) 82 13/16"x4 5/16"x2 3/16" (56.2x110x2103)



F15 DOOR UPRIGHT - A4M04993  
(x1) 82 13/16"x4 5/16"x2 3/16" (56.2x110x2103)



F16 UPRIGHT - A4M05558  
(x1) 89 3/16"x3 1/8"x2 3/16" (55x80x2265)



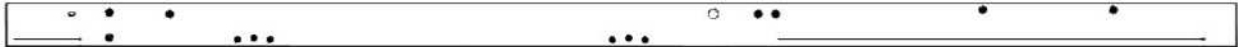
F17 UPRIGHT - A4M05559  
(x1) 101 9/16"x3 1/8"x2 3/4" (70x80x2580)

# OWNER'S MANUAL - PARTS IDENTIFICATION

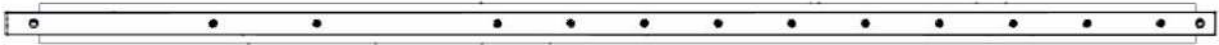
## METAL COMPONENTS (NOT TO SCALE)



**F18 UPRIGHT - A4M05561**  
(x1) 101 9/16"x3 1/8"x2 3/4" (70.00x80x2580)



**F19 UPRIGHT - A4M05560**  
(x1) 89 3/16"x3 1/8"x2 3/16" (55x80x2265)



**F20 UPRIGHT - A4M05419**  
(x2) 82 3/4"x2 3/4"x2 3/4" (70x70x2102)



**F21 UPRIGHT - A4M05013**  
(x1) 41 1/16"x1 9/16"x2 3/4" (70x40x1043.5)



**N01 SLAT - A4M05413**  
(x7) 44 9/16"x1 9/16"x13/16" (20x40x1132)



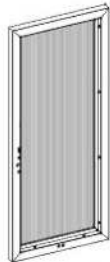
**N02 SLAT - A4M05029**  
(x1) 44 9/16"x1 9/16"x13/16" (20x40x1132)



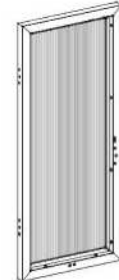
**N03 SLAT - A4M05574**  
(x1) 44 9/16"x1 9/16"x13/16" (20x40x1132)



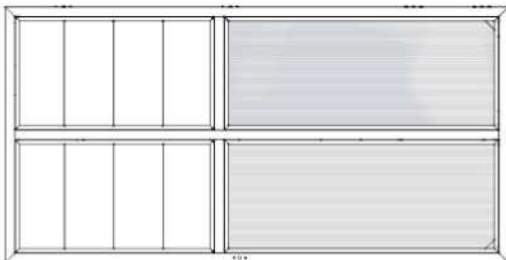
**A4M02411 DOOR PROTECTOR CHAIN**  
(x1)



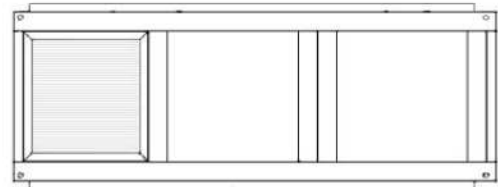
**WA02 WINDOW ASSEMBLY - A4M05307**  
(x2) 45 7/8"x19 1/4"x1 9/16" (40x489x1166)



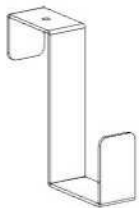
**WA03 WINDOW ASSEMBLY - A4M05027**  
(x2) 45 7/8"x19 1/4"x1 9/16" (40x489x1166)



**D03 DOOR ASSEMBLY - A4M05026**  
(x1) 1 9/16"x40 3/4"x80" (40x1035x2033)



**WA01 FAN WINDOW FRAME ASSEMBLY - A4M05023**  
(x1) 39 1/8"x15"x2 3/8" (60x380.4x993.50)



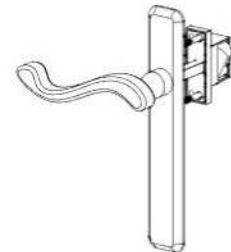
**A4M05022 HOOK**  
(x6)



**A4M05667 GROUND STAKE**  
(x20)



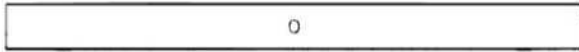
**5309 STORM DOOR HANDLE - A4M05309**  
(x1) 7 1/2"x5"x3 1/8" (79x127.2x190.5)



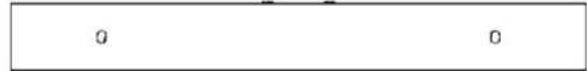
**5569 DOOR SWEEP - A4M05569**  
(x1) 1/4"x1 11/16"x39 3/8" (6x43x1000)

# OWNER'S MANUAL - PARTS IDENTIFICATION

## METAL COMPONENTS (NOT TO SCALE)



**WB01 WINDOW BEAM - A4M04987**  
(x4) 19 15/16"x3 1/8"x1 9/16" (40x80x506)



**WS01 WINDOW SEALING TUBE - A4M05015**  
(x1) 19 15/16"x2 3/8"x1 9/16" (40x60x506)



**WS02 WINDOW SEALING TUBE - A4M05044**  
(x4) 19 13/16"x1 9/16"x13/16" (20x40x504)



**WS03 WINDOW SEALING TUBE - A4M05572**  
(x4) 44 13/16"x1 9/16"x13/16" (20x40x1139)



**WS04 WINDOW SEALING TUBE - A4M05045**  
(x4) 44 13/16"x1 9/16"x13/16" (20x40x1139)



**WS05 WINDOW SEALING TUBE - A4M05418**  
(x1) 19 15/16"x2 3/8"x1 9/16" (40x60x506)



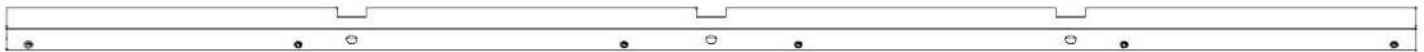
**WS06 WINDOW SEALING TUBE - A4M05002**  
(x2) 19 15/16"x2 3/8"x1 9/16" (40x60x506)



**S01 WINDOW SILL - A4M04971**  
(x1) 75 15/16"x3 1/8"x1 9/16" (40x80x1929)



**S02 WINDOW SILL - A4M04973**  
(x1) 75 15/16"x3 1/8"x1 9/16" (40x80x1929)



**S03 WINDOW SILL - A4M04998**  
(x1) 84 1/4"x2 3/8"x1 9/16" (40x60x2140)



**S04 WINDOW SILL - A4M05562**  
(x1) 75 15/16"x3 1/8"x1 9/16" (40x80x1929)



**S05 WINDOW SILL - A4M05563**  
(x1) 75 15/16"x3 1/8"x1 9/16" (40x80x1929)



**S06 WINDOW SILL - A4M04989**  
(x4) 19 13/16"x1 9/16"x13/16" (20x40x504)



**S07 WINDOW SILL - A4M05025**  
(x2) 21 5/16"x1 15/16"x1 9/16" (40x50x541)



**DS01 DOOR SEALING TUBE - A4M05000**  
(x1) 41 5/16"x2 3/8"x1 9/16" (40x60x1050)



**DS02 DOOR SEALING TUBE - A4M05567**  
(x1) 36 3/16"x1 9/16"x13/16" (20x40x919)



**DS03 DOOR SEALING TUBE - A4M05311**  
(x1) 79 15/16"x1 9/16"x13/16" (20x40x2030)



**DS04 DOOR SEALING TUBE - A4M05568**  
(x1) 40 3/4"x1 9/16"x13/16" (20x40x1034)



**D02 HEADER - A4M05001**  
(x2) 21 1/2"x1 9/16"x1 9/16" (40x40x546)



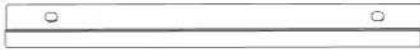
**D01 HEADER - A4M05404**  
(x1) 84 1/4"x2 3/8"x1 9/16" (40x60x2140)

# OWNER'S MANUAL - PARTS IDENTIFICATION

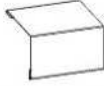
## METAL COMPONENTS (NOT TO SCALE)



CA01 CAP - A4M05407  
(x52) 19 13/16"x1 1/4"x1/2" (12.8x32.2x503.8)



CA03 CAP - A4M05414  
(x4) 14 5/8"x1/2"x1 7/16" (12.8x37x372)



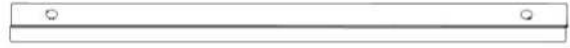
7115 EDGE TRIM SPLICE - A4M07115  
(x4) 1 5/8"x3 15/16"x2 11/16" (41x100x69)



5301 RIDGE CAP - A4M05301  
(x2) 1 15/16"x8 1/4"x82" (49x210x2083.50)



5302 RIDGE CAP - A4M05302  
(x1) 45 1/4"x8 1/4"x1 15/16" (49x210x1150)



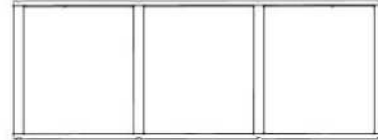
CA02 CAP - A4M05412  
(x8) 21 5/8"x1 7/16"x1/2" (12.8x37x550)



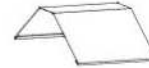
CA04 CAP - A4M05405  
(x2) 13 3/4"x1 3/16"x1/2" (12.8x30.2x349.8)



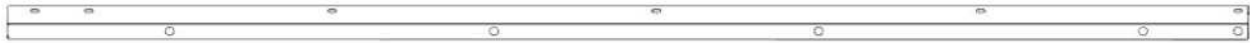
4974 WATERPROOF Z TRIM - A4M04974  
(x20) 19 3/4"x7/16"x7/16" (10.80x11x502)



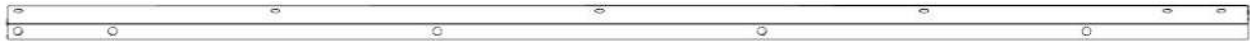
E01 PURLIN FRAME - A4M05032  
(x14) 13/16"x21 5/16"x56 1/2" (21x541x1435)



5303 RIDGE CAP SPLICE - A4M05303  
(x1) 2"x8 5/16"x3 15/16" (51x213x100)



5304 SOFFIT - A4M05304  
(x2) 82 3/16"x2 7/8"x1 1/8" (28.8x73x2088)



5305 SOFFIT - A4M05305  
(x2) 82 3/16"x2 7/8"x1 1/8" (28.8x73x2088)



5291 TRIM - A4M05291  
(x4) 84 5/8"x7 7/8"x3/8" (10x200x2150)



5295 SPLICE COVER - A4M05295  
(x12) 84 5/8"x2 5/8"x3/16" (4x67x2150)



7114 EDGE TRIM - A4M07114  
(x8) 1 9/16"x2 5/8"x80 3/8" (40x68x2042)



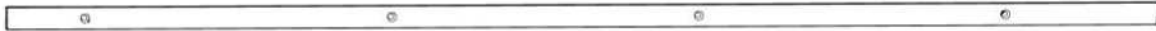
5030 ANGLE TRIM - A4M05030  
(x2) 65 7/8"x1 7/16"x1" (25.8x36.9x1674)



5031 ANGLE TRIM - A4M05031  
(x2) 65 7/8"x1 7/16"x1" (25.8x36.90x1674.00)

# OWNER'S MANUAL - PARTS IDENTIFICATION

## METAL COMPONENTS (NOT TO SCALE)



**H01 RUNNING TUBE - A4M04968**  
(x1) 77 9/16"x1 9/16"x13/16" (20x40x1969.5)



**H02 RUNNING TUBE - A4M04967**  
(x1) 80 11/16"x1 9/16"x13/16" (20x40x2049.5)



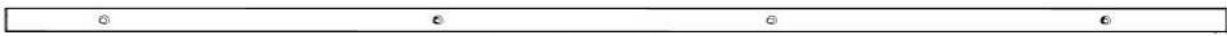
**H03 RUNNING TUBE - A4M04996**  
(x1) 48 1/2"x1 9/16"x13/16" (20x40x1232)



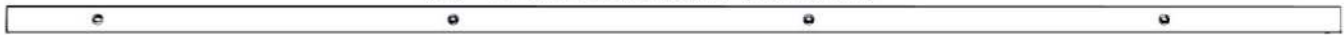
**H04 RUNNING TUBE - A4M04997**  
(x1) 48 1/2"x1 9/16"x13/16" (20x40x1232)



**H05 RUNNING TUBE - A4M04988**  
(x1) 62 1/16"x1 9/16"x13/16" (20x40x1577)



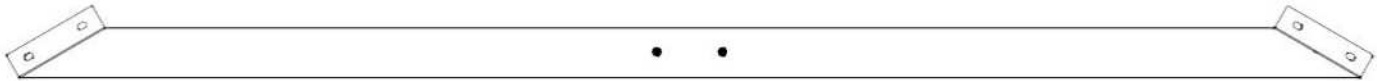
**H06 RUNNING TUBE - A4M04986**  
(x1) 77 13/16"x1 9/16"x13/16" (20x40x1977)



**H07 RUNNING TUBE - A4M05293**  
(x1) 80 11/16"x1 9/16"x13/16" (20x40x2049.5)



**H08 RUNNING TUBE - A4M05294**  
(x1) 77 9/16"x1 9/16"x13/16" (20x40x1969.5)



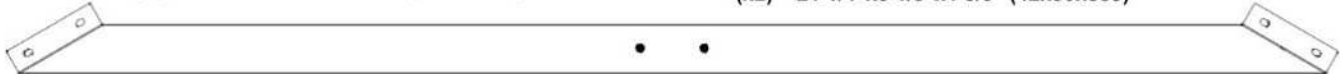
**G01 JOIST - A4M05046**  
(x2) 90 13/16"x4 1/2"x1 9/16" (40x114x2306.5)



**G02 GABLE - A4M05047**  
(x2) 21 1/4"x3 1/8"x1 5/8" (42x80x539)



**G03 GABLE - A4M05048**  
(x2) 21 1/4"x3 1/8"x1 5/8" (42x80x539)



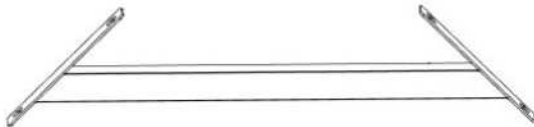
**G04 JOIST - A4M05288**  
(x1) 85 11/16"x4 1/2"x1 9/16" (40x114x2176.5)



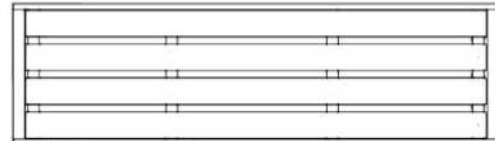
**G05 GABLE - A4M05289**  
(x1) 19 15/16"x3 1/8"x1 9/16" (40x80x506)



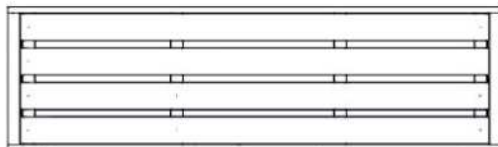
**G06 GABLE - A4M05290**  
(x1) 19 15/16"x3 1/8"x1 9/16" (40x80x506)



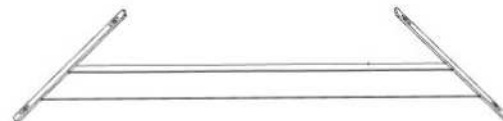
**TB01 TABLE BRACE ASSEMBLY - A4M05024**  
(x7) 20"x20"x1 9/16" (40x508.6x508.6)



**TB02 TABLE ASSEMBLY - A4M05034**  
(x1) 65 1/16"x18 7/8"x1 9/16" (40x479x1652)



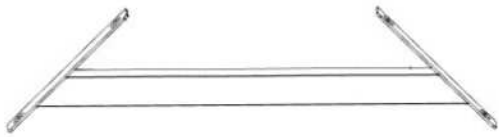
**TB03 TABLE ASSEMBLY - A4M05040**  
(x2) 65 1/16"x18 7/8"x1 9/16" (40x479x1652)



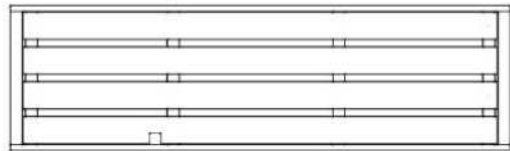
**TB04 TABLE BRACE ASSEMBLY - A4M05036**  
(x2) 19 7/16"x19 7/16"x1 9/16" (40x493.6x493.6)

# OWNER'S MANUAL - PARTS IDENTIFICATION

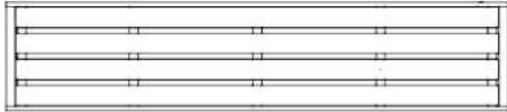
## METAL COMPONENTS (NOT TO SCALE)



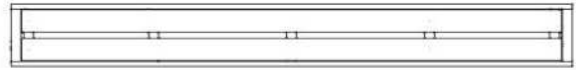
**TB05 TABLE BRACE ASSEMBLY - A4M05035**  
(x2) 17 7/8"x17 7/8"x1 9/16" (40x453.6x453.6)



**TB06 TABLE ASSEMBLY - A4M05329**  
(x1) 65 1/16"x18 7/8"x1 9/16" (40x479x1652)



**TB07 TABLE ASSEMBLY - A4M05043**  
(x1) 87 9/16"x18 7/8"x1 9/16" (40x479x2224)



**TB08 TABLE ASSEMBLY - A4M05330**  
(x2) 86 3/4"x9 11/16"x1 9/16" (40x246x2224)



**TB09 TABLE BRACE ASSEMBLY - A4M05331**  
(x6) 8 11/16"x8 11/16"x1 9/16" (40x220x220)



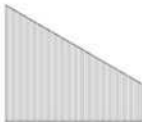
**T01 SPIGOT TUBE - A4M05323**  
(x1) 24 1/2"x2 3/8"x1 9/16" (40x60x622)



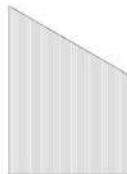
**1422 POLY SHEET - A6P01422**  
(x14) 47 5/8"x19 5/8"x3/8" (10x498x1210)



**1423 POLY SHEET - A6P01423**  
(x14) 84 11/16"x20 11/16"x3/8" (10x525x2151)



**1455 POLY SHEET - A6P01455**  
(x2) 16 3/4"x19 5/8"x3/8" (10x498x425.5)



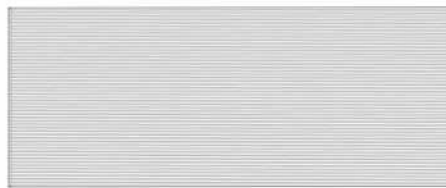
**1456 POLY SHEET - A6P01456**  
(x2) 27 3/8"x19 5/8"x3/8" (10x498x695.5)



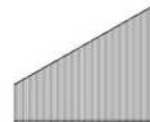
**1457 POLY SHEET - A6P01457**  
(x1) 39"x19 5/8"x3/8" (10x498x990)



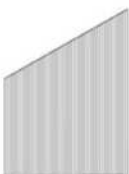
**1458 POLY SHEET - A6P01458**  
(x1) 36 7/16"x13 5/8"x3/8" (10x346x924.8)



**1611 POLY SHEET - A6P01611**  
(x6) 48 1/8"x19 5/8"x3/8" (10x498x1223)



**1612 POLY SHEET - A6P01612**  
(x2) 16 3/4"x19 5/8"x3/8" (10x498x425.5)



**1613 POLY SHEET - A6P01613**  
(x2) 27 3/8"x19 5/8"x3/8" (10x498x695.5)



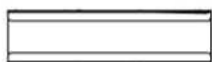
**1614 POLY SHEET - A6P01614**  
(x1) 39"x19 5/8"x3/8" (10x498x990)



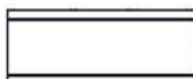
**1615 POLY SHEET - A6P01615**  
(x1) 36 7/16"x13 5/8"x3/8" (10x346x924.8)

# OWNER'S MANUAL - PARTS IDENTIFICATION

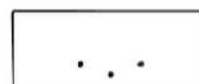
## METAL COMPONENTS (NOT TO SCALE)



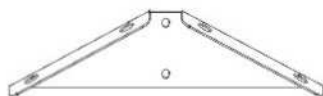
**J1 BEAM SPLICE BRACKET - A4M04952**  
(x4) 1 1/2"x3 1/16"x11 13/16" (37x77x300)



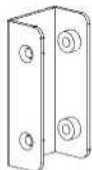
**J2 BEAM SPLICE BRACKET - A4M04955**  
(x2) 1 5/16"x4 11/16"x11 13/16" (33x119x300)



**J3 BEAM SPLICE BRACKET - A4M05028**  
(x3) 1 5/16"x4 11/16"x11 13/16" (33x119x300)



**J4 GABLE SPLICE BRACKET - A4M05333**  
(x1) 14 1/4"x3 3/4"x1/16" (2x95.3x362)



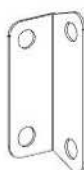
**J5 BEAM BRACKET - A4M04950**  
(x12) 3"x1 7/16"x15/16" (24x37.2x76)



**J6 BRACKET - A4M05037**  
(x8) 2 3/16"x1 7/16"x15/16" (24x37.2x56)



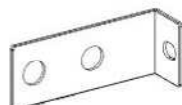
**J7 L-SHAPED BRACKET - A4M05003**  
(x2) 19 3/4"x3 1/8"x13/16" (20x29x502)



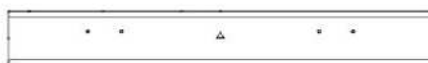
**J8 GABLE BRACKET - A4M03804**  
(x8) 4 13/16"x1 9/16"x1 9/16" (40x40x123)



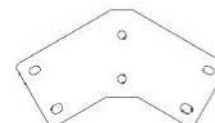
**J9 BEAM BRACKET - A4M03807**  
(x2) 5 9/16"x1 5/16"x4 9/16" (140.57x33.20x116)



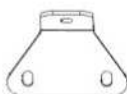
**J10 LOUVER BRACKET - A4M05409**  
(x8) 3 15/16"x1 9/16"x1 1/16" (26.8x40x100)



**J11 RIDGE BRACKET - A4M05008**  
(x1) 1 5/16"x5 3/16"x39 3/8" (33x131x1000)



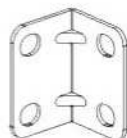
**J12 GABLE BRACKET - A4M05300**  
(x2) 14 7/8"x8 5/16"x1/16" (2x211x377)



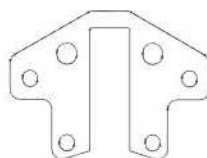
**J13 RAFTER SUPPORT BRACKET - A4M05306**  
(x12) 3 5/8"x3 1/16"x1 15/16" (48.52x78x91.4)



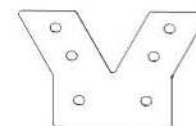
**J14 DOOR BRACKET - A4M05312**  
(x1) 41 5/16"x2 3/4"x1 3/4" (44.5x70x1049)



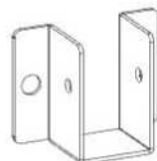
**J15 POST BRACKET - A4M05041**  
(x2) 3 1/8"x2 3/16"x2 3/16" (55x55x80)



**J16 SPLICE BRACKET - A4M05332**  
(x1) 7 7/8"x5 7/8"x1/16" (2x149x200)



**J17 JOIST SPLICE PLATE - A4M05286**  
(x6) 11 1/2"x7 1/16"x1/8" (3x180x291.6)



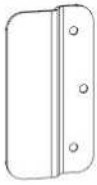
**J18 PERGOLA BRACKET - A4M05292**  
(x28) 4 7/16"x2 1/16"x3 5/8" (88x53x112)



**J19 RIDGE SUPPORT RING - A4M05573**  
(x8) 13/16"x3/4" (19x20x)

# OWNER'S MANUAL - PARTS IDENTIFICATION

METAL COMPONENTS (NOT TO SCALE)

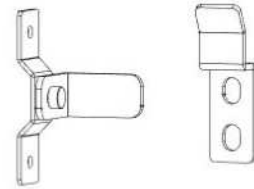


**A4M05042 WINDOW HANDLE**  
(x4)

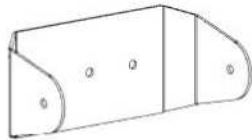


INCLUDED WITH THE ELECTRICAL ENCLOSURE

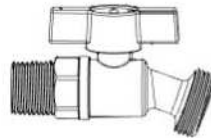
**A4M01292 MOUNTING BRACKET**  
(x2)



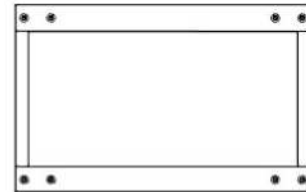
**A4M05565 WINDOW LATCH LOCK**  
(x4)



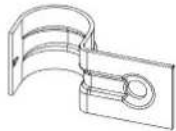
**4782 DOWNSPOUT CLIP - A4M04782**  
(x4) 1 7/16"x1 7/16"x3 1/8" (3.6x3.6x7.9)



**A4M02384 HOSE FAUCET**  
(x1)



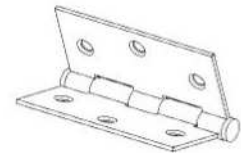
**L01 LOUVER FRAME ASSEMBLY - A4M05408**  
(x2) 17 5/16"x11"x1 9/16" (40x280x439)



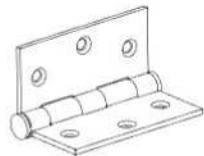
**A4M02385 PIPE CLAMP**  
(x2)



**CP01 CONNECTING PIECE - A4M04972**  
(x2) 11 13/16"x3 1/8"x1/8" (3x80x300)



**A4M05308 HINGE ASSEMBLY**  
(x8)



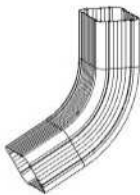
**A4M05415 HINGE ASSEMBLY**  
(x3)



**A4M03473 HOSE HANGER**  
(x1)



**A4M01352 HOLE COVER**  
(x253)



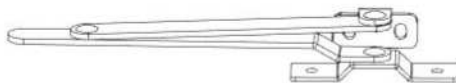
**4931 DOWNSPOUT ELBOW - A4M04931**  
(x2) 3"x5 7/16"x7 11/16" (7.6x13.8x19.5)



**4783 DOWNSPOUT - 5FT - A4M04783**  
(x2) 2"x3"x60" (51x76x1524)



**5866 DOWNSPOUT OFFSET - 5IN - A4M05866**  
(x2) 3"x7 3/16"x12 1/16" (7.6x18.2x30.7)



**A4M05406 SUPPORT HINGE**  
(x4)



**4761 DOWNSPOUT OUTLET - A4M04761**  
(x2) 1 7/16"x2 7/8" (36x72x)

# OWNER'S MANUAL - PARTS IDENTIFICATION

METAL COMPONENTS (NOT TO SCALE)



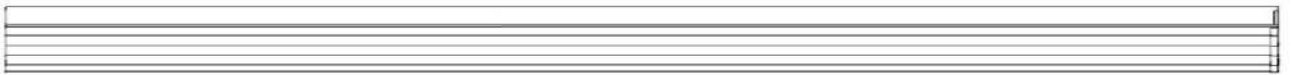
**7110 GUTTER W/OUTLET - A4M07110**  
(x1) 3 11/16"x5 1/8"x81 7/8" (93x130x2080)



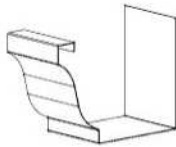
**7111 GUTTER - A4M07111**  
(x1) 3 11/16"x5 1/8"x81 7/8" (93x130x2080)



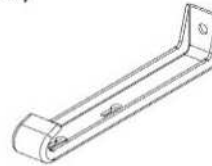
**7112 GUTTER W/OUTLET - A4M07112**  
(x1) 3 11/16"x5 1/8"x81 7/8" (93x130x2080)



**7113 GUTTER - A4M07113**  
(x1) 3 11/16"x5 1/8"x81 7/8" (93x130x2080)



**4765 GUTTER SPLICE - A4M04765**  
(x2) 2 1/2"x3 11/16"x5 1/16" (6.3x9.4x12.9)



**4759 GUTTER HANGER - A4M04759**  
(x14) 3/4"x1"x4 15/16" (1.9x2.5x12.5)

# OWNER'S MANUAL - PARTS IDENTIFICATION

COMPOSITE COMPONENTS (NOT TO SCALE)



**W02 WPC WALL BOARD - A5C00016**  
(x1) 3/8"x8 1/16"x19 11/16" (10x204x500)



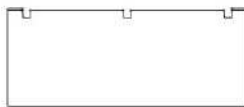
**W03 WPC WALL BOARD - A5C00017**  
(x89) 3/8"x8 1/16"x19 11/16" (10x204x500)



**W04 WPC WALL BOARD - A5C00018**  
(x2) 3/8"x8 1/16"x19 11/16" (10x204x500)



**W05 WPC WALL BOARD - A5C00019**  
(x4) 3/8"x1 15/16"x8 1/16" (10x49x204)



**W06 WPC WALL BOARD - A5C00020**  
(x2) 3/8"x8 1/16"x500 (10x204x500)



**W07 WPC PERGOLA BOARD - A5C00022**  
(x14) 1 15/16"x3 15/16"x42 5/16" (50x100x1074)

# OWNER'S MANUAL - PARTS IDENTIFICATION

## PLASTIC COMPONENTS (NOT TO SCALE)



**A6P00692 CORD GROMMET (x1)**



**A6P00646 ELBOW 1/2" NPT (x2)**



**A6P01459 THREADED PIPE CONNECTOR (x1)**



**A6P00754 THERMOSTAT (x1)**



**A6P00645 PIPE 1/2" X 24" (x1)**



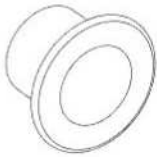
**A6P01663 WINDOW MOSQUITO SCREEN (x4)**



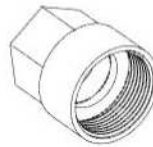
**A6P01617 WINDOW U-SHAPED SEALING STRIP (x1)**



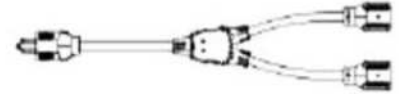
**1421 POLY SHEET SPLICE - A6P01421 (x16) 84 3/4"x2 7/16"x9/16" (14.5x61.8x2152)**



**A6P00577 RUBBER GROMMET (x1)**



**A6P00648 THREADED HOSE FITTING (x1)**



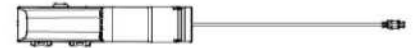
**A6P01160 CORD SPLITTER (x1)**



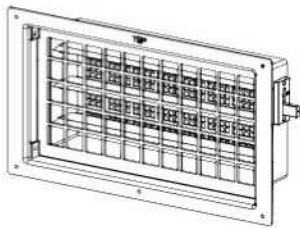
**A6P00690 DUST SEAL TAPE (x2)**



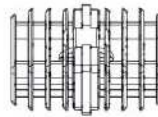
**A6P00809 PLUMBERS TAPE (x3)**



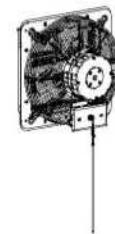
**9205413 ELECTRICAL ENCLOSURE (x1)**



**A6P00730 LOUVER (x2)**



**A6P00530 2-WAY SQUARE PLUG (x3)**



**A4M02383 EXHAUST FAN (x2)**



**A6P01531 10 OZ SILICONE TUBE (x2)**



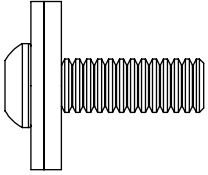
**H101464 CAULK GUN (x1)**



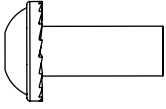
**A6P01060 COLLAPSIBLE GARDEN HOSE (X1)**

# OWNER'S MANUAL - PARTS IDENTIFICATION

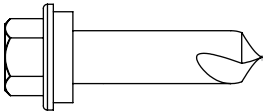
## HARDWARE COMPONENTS



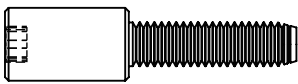
**H101202 | TORX PAN HEAD**  
(x746) | 1/4-20x3/4 ASSY



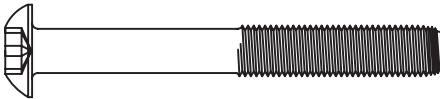
**H100404 | NUT BARREL WH**  
(x28) | 1/4 X 5/8 BLK



**H101116 | SCREW SELF TAPPING**  
(x36) | 1/4x1



**H101132 | TORX SOCKET SCREW SHORT**  
(x74) | 1/4-20



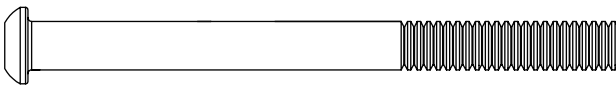
**H101126 | TORX PAN HEAD**  
(x20) | 1/4-20x2 1/8"



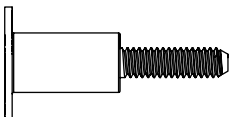
**H101103 | TORX SOCKET SCREW**  
(x160) | 1/4-20



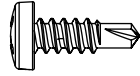
**H101412 | TORX SOCKET SCREW**  
(x8) | 1/4-20x3 1/16"



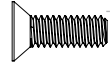
**H101477 | TORX PAN HEAD**  
(x4) | 1/4-20x3 1/16"



**H101476 | SCREW PWH SCREW PWH**  
(x96) | 8/32-15x1 1/8"



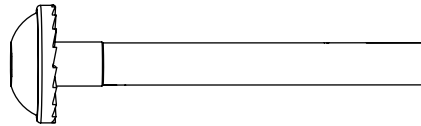
**H101159 | PHILLIPS ROUND HEAD**  
(x18) | 8-18x.5



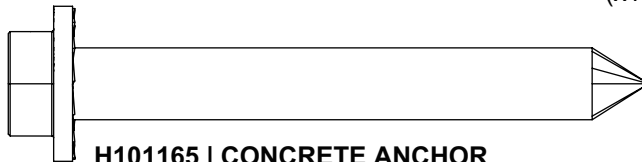
**H101185 | PHILLIPS FLAT HEAD**  
(x1) | 8-32x.5



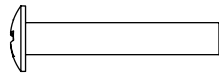
**H101289 | PAN HEAD SCREW**  
(x70) | 8-32x1/2" SS



**H100488 | BOLT WH**  
(x28) | 1/4 X 2



**H101165 | CONCRETE ANCHOR**  
(x20) | 3/8"x3"



**H101287 | PAN HEAD SCREW**  
(x14) | 8-32x1" SS



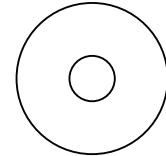
**H101492 | PHILLIPS FLAT HEAD**  
(x66) | 1/4-20x3/4"



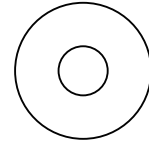
**H101293 | TORX PAN HEAD**  
(x35) | 1/4-20x1 3/8"



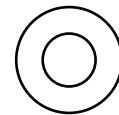
**H101101 | TORX PAN HEAD**  
(x4) |



**H101053 | STEEL WASHER**  
(x63) | 6x20



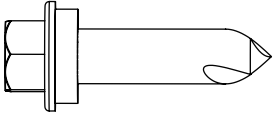
**H101054 | SEALANT WASHER**  
(x59) | 6.5x18



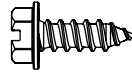
**H101133 | WASHER FLAT**  
(x16) | 7x14 BLK

# OWNER'S MANUAL - PARTS IDENTIFICATION

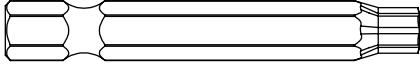
## HARDWARE COMPONENTS



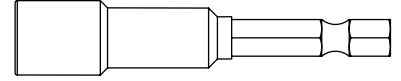
**H101480 | SCREW SELF TAPPING**  
(x18) | #9-1/4x1



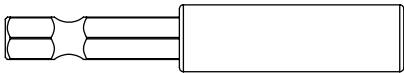
**H101414 | SCREW SELF PIERCING**  
(x10) | #8x1/2 BLK



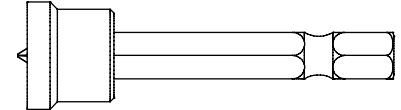
**H100147 | TORX BIT**  
(x1) | T-30



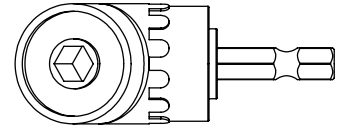
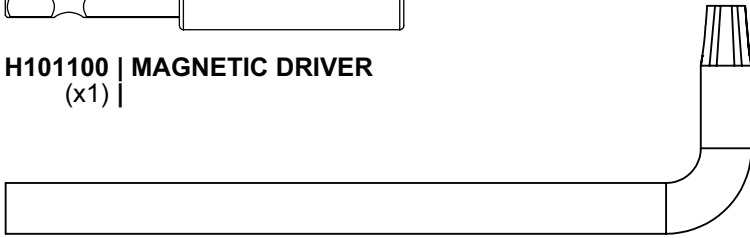
**H101106 | SOCKET DRIVER**  
(x1) |



**H101100 | MAGNETIC DRIVER**  
(x1) |



**H100764 | SCREW SETTER**  
(x1) |

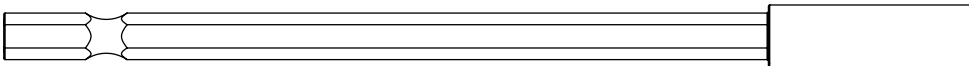


**H101114 | RIGHT ANGLE  
DRILL ADAPTER**  
(x1) |

**H100114 | TORX BIT**  
(x1) | T-30



**H101261 | PHILLIPS EXTENSION BIT**  
(x1) |



**H101278 | MAGNETIC DRIVER EXTENSION**  
(x1) |

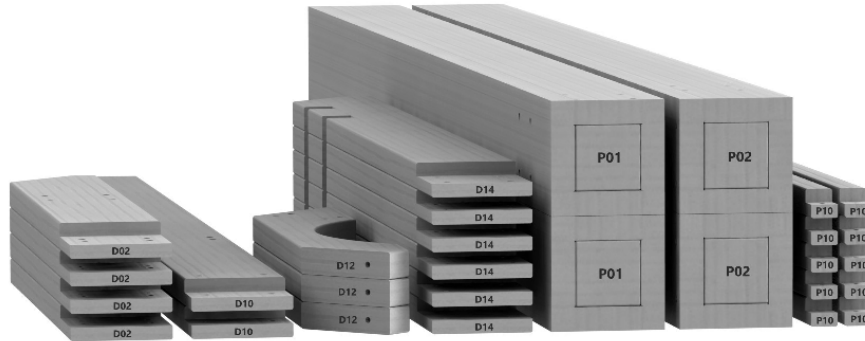
# PRE-ASSEMBLY STEP 1 - SORTING PARTS

It is critical for ease of assembly that you take the time to sort and organize the parts and hardware.

---

## COMPOSITE PARTS:

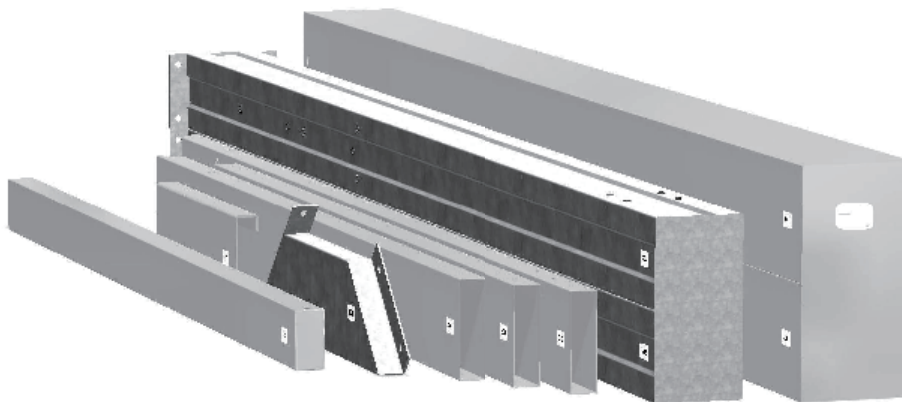
- Organize wood parts by the three-digit, alpha-numeric number stamped on each board (ex. W01).
- If there are multiple boards with the same stamped number, stack those pieces together.
- Stamps can be found on the flat surface of the boards or on the end of the boards.
- Allow yourself plenty of room - the wood pieces can take up a significant amount of space.



**NOTE: CARTONS ARE NOT ORGANIZED BY BOARD OR STEP NUMBER.**

## METAL PARTS:

- Organize metal parts by the three-digit, alpha-numeric number stamped on each part (ex. A01).
- If there are multiple parts with the same stamped number, stack those pieces together.
- Stamps can be found on the flat surface of the parts or on the end of the parts.
- Allow yourself plenty of room - the parts can take up a significant amount of space.



**NOTE: CARTONS ARE NOT ORGANIZED BY PART OR STEP NUMBER.**

---

## HARDWARE PARTS:

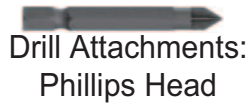
- We recommend that you have a separate table to organize the hardware.
- Hardware bags are printed with a seven-digit, alpha-numeric part number.
- You can organize your hardware by part number or group by hardware type (e.g. bolts, nuts, etc.).
- During assembly you only need to reference the last four digits of the number.



# PRE-ASSEMBLY STEP 2 - TOOLS REQUIRED



Cordless Drill or  
Electric Drill



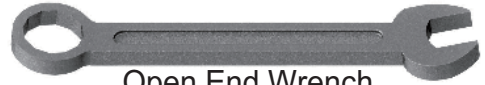
Drill Attachments:  
Phillips Head



1/8", 3/16", 3/8" &  
7/16" Drill Bits



Phillips Screw Driver



Open End Wrench  
7/16"



3/8" Drive Ratchet, 1/2" &  
7/16" STD Sockets 1/2" & 7/16"  
Deep Sockets



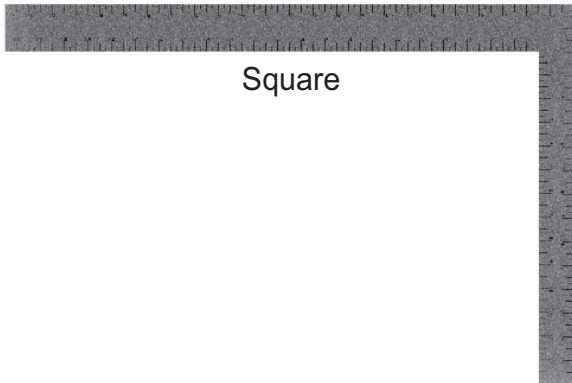
Claw Hammer



Rubber Mallet -  
Optional



Tape Measure



Square





Level 24"

# PRE-ASSEMBLY STEP 3 - CHOOSE YOUR ASSEMBLY METHOD

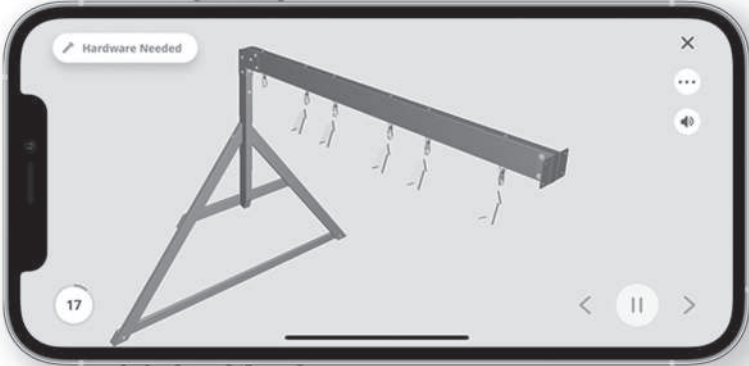


There are several types of assembly instructions available to you.

1. Printed Assembly Manual included with your set
2. BILT APP - 3D interactive instructions
3. Combination of the Printed Manual and BILT APP (Note: Step numbers can differ between the two methods)



**Scan for easy  
3D instructions**

Download the BILT app  
before you begin



# STEP 1A - BEAM ASSEMBLY

QTY	PART NUMBER	DESCRIPTION
4	H101202	TORX PAN HEAD 1/4-20x3/4 ASSY

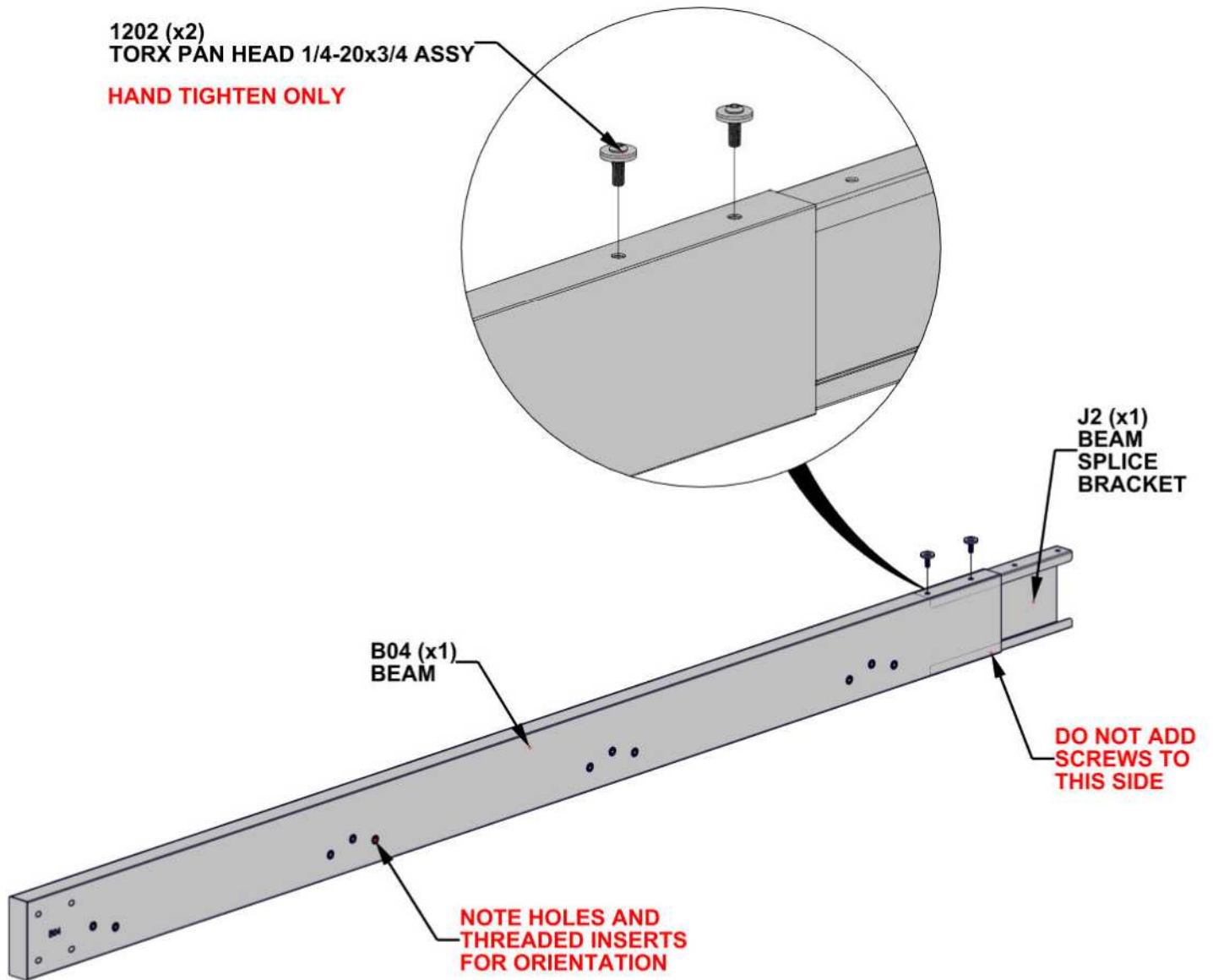


J2 BEAM SPLICE BRACKET - A4M04955  
 (x2) 1 5/16"x4 11/16"x11 13/16" (33.2x119.2x300)



B04 BEAM - A4M04957  
 (x2) 80 3/4"x4 13/16"x1 7/16" (36x122x2050.5)

- FOR EASE OF ASSEMBLY, WE RECOMMEND USING SAWHORSES FOR STEPS 1A - 2B.
- BEAM AND SPLICE MUST BE ORIENTED AS SHOWN. SLIDE J2 INTO B04 AND LINE UP TWO HOLES TOP AND BOTTOM
- REPEAT THIS STEP 2 TIMES.



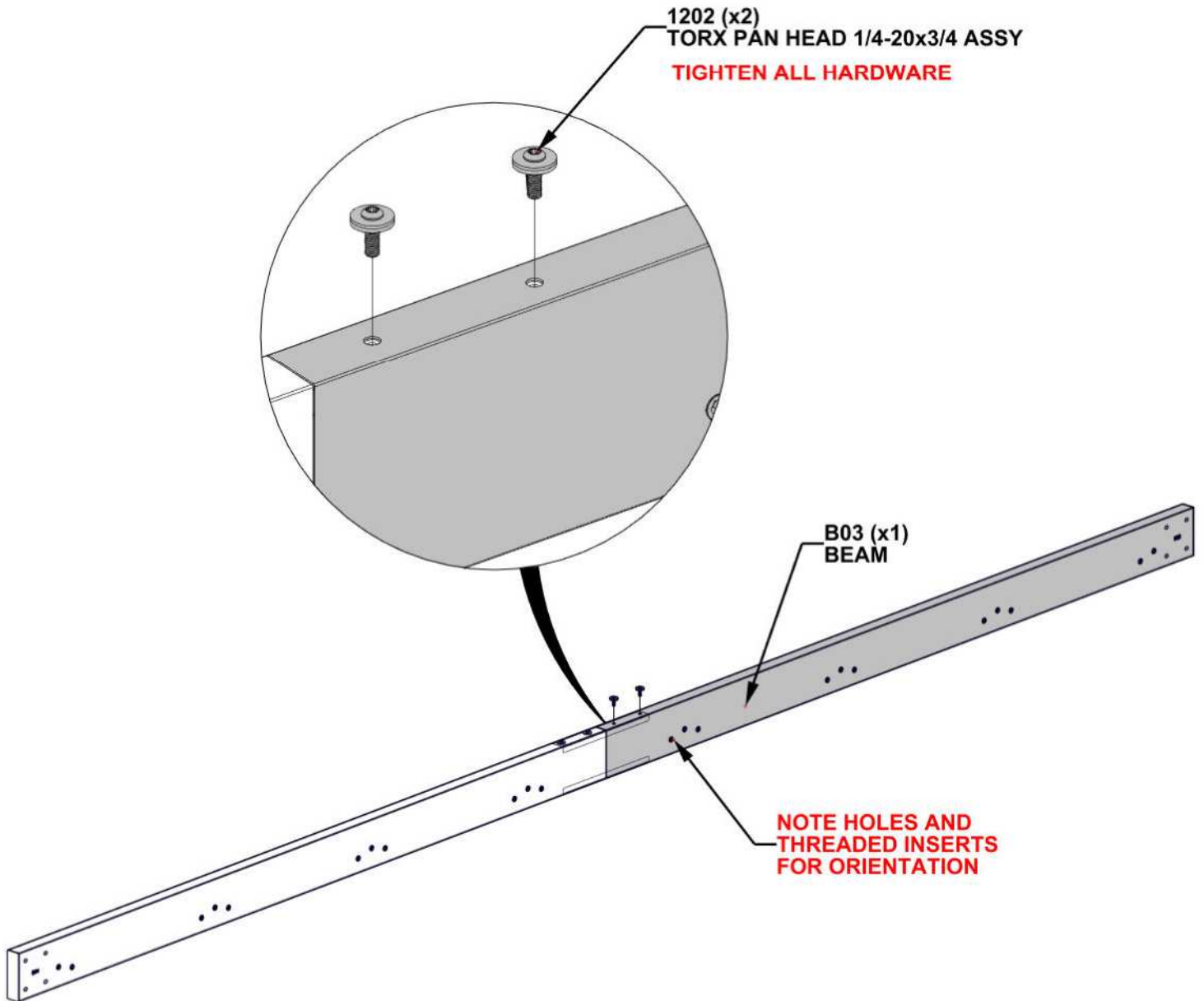
# STEP 1B - BEAM ASSEMBLY

QTY	PART NUMBER	DESCRIPTION
4	H101202	TORX PAN HEAD 1/4-20x3/4 ASSY



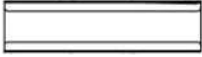
B03 BEAM - A4M04956  
(x2) 80 3/4"x4 13/16"x1 7/16" (36x122x2050.5)

- SLIDE B03 ONTO SPLICE BRACKET.  
GENTLY TAP ENDS OF ASSEMBLY WITH  
RUBBER Mallet UNTIL GAP CLOSES.
- REPEAT THIS STEP 2 TIMES.



# STEP 2A - BEAM ASSEMBLY

QTY	PART NUMBER	DESCRIPTION
8	H101202	TORX PAN HEAD 1/4-20x3/4 ASSY



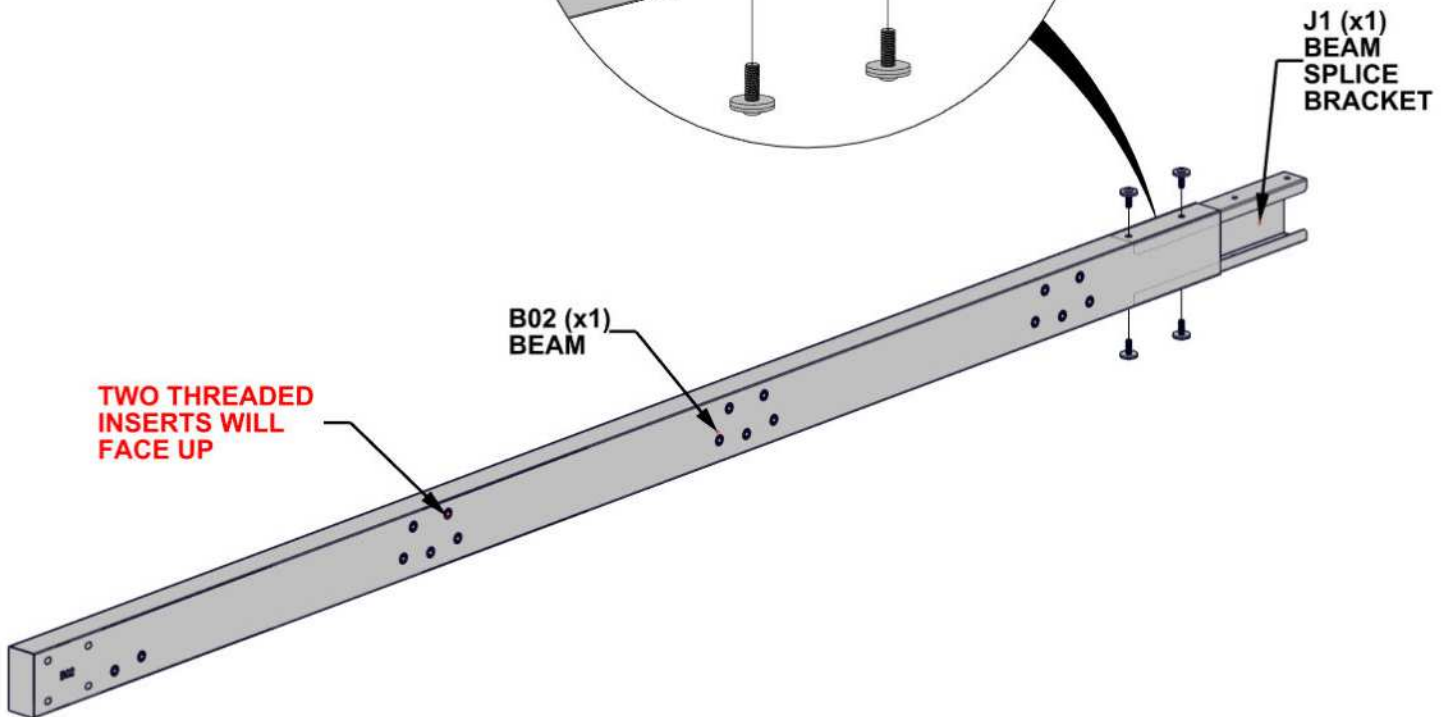
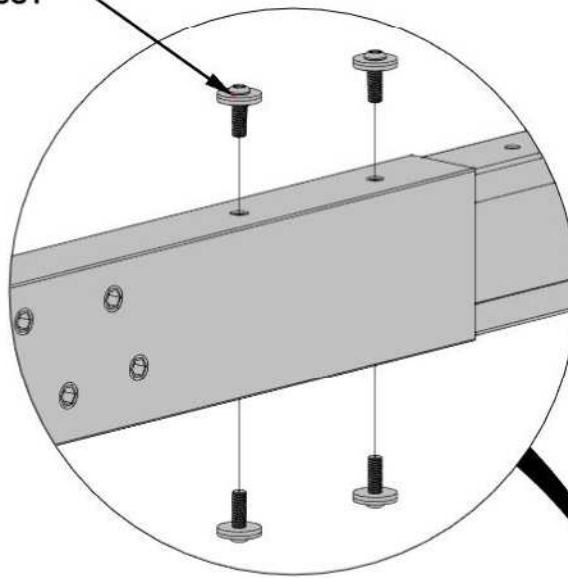
J1 BEAM SPLICE BRACKET - A4M04952  
 (x2) 1 1/2"x3 1/16"x11 13/16" (37.2x77.2x300)



B02 BEAM - A4M04954  
 (x2) 80 3/4"x3 1/8"x1 9/16" (40x80x2050.5)

- BEAM AND SPLICE MUST BE ORIENTED AS SHOWN. SLIDE J1 INTO B02 AND LINE UP TWO HOLES TOP AND BOTTOM
- REPEAT THIS STEP 2 TIMES.

1202 (x4)  
 TORX PAN HEAD 1/4-20x3/4 ASSY  
**HAND TIGHTEN ONLY**



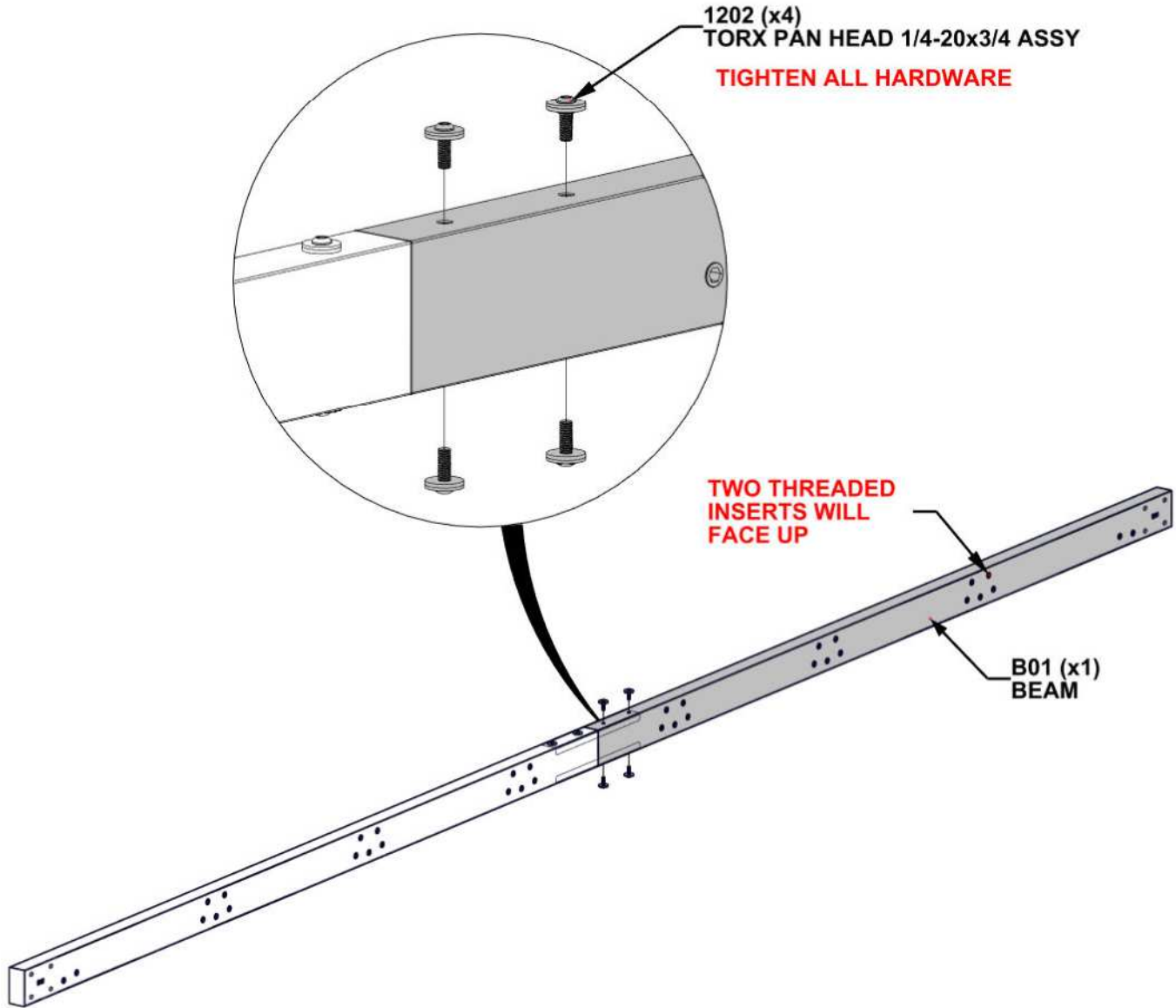
# STEP 2B - BEAM ASSEMBLY

QTY	PART NUMBER	DESCRIPTION
8	H101202	TORX PAN HEAD 1/4-20x3/4 ASSY



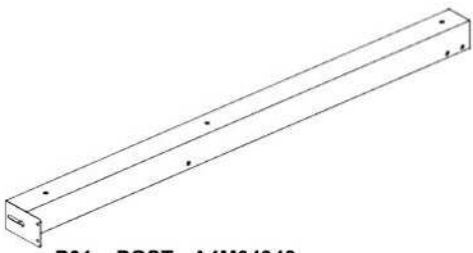
B01 BEAM - A4M04951  
(x2) 80 3/4"x3 1/8"x1 9/16" (40x80x2050.5)

- SLIDE B01 ONTO SPLICE BRACKET.  
GENTLY TAP ENDS OF ASSEMBLY WITH  
RUBBER Mallet UNTIL GAP CLOSES.
- REPEAT THIS STEP 2 TIMES.

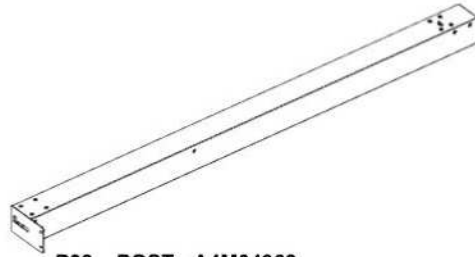


# STEP 3 - FRAME ASSEMBLY

QTY	PART NUMBER	DESCRIPTION
16	H101103	TORX SOCKET SCREW 1/4-20

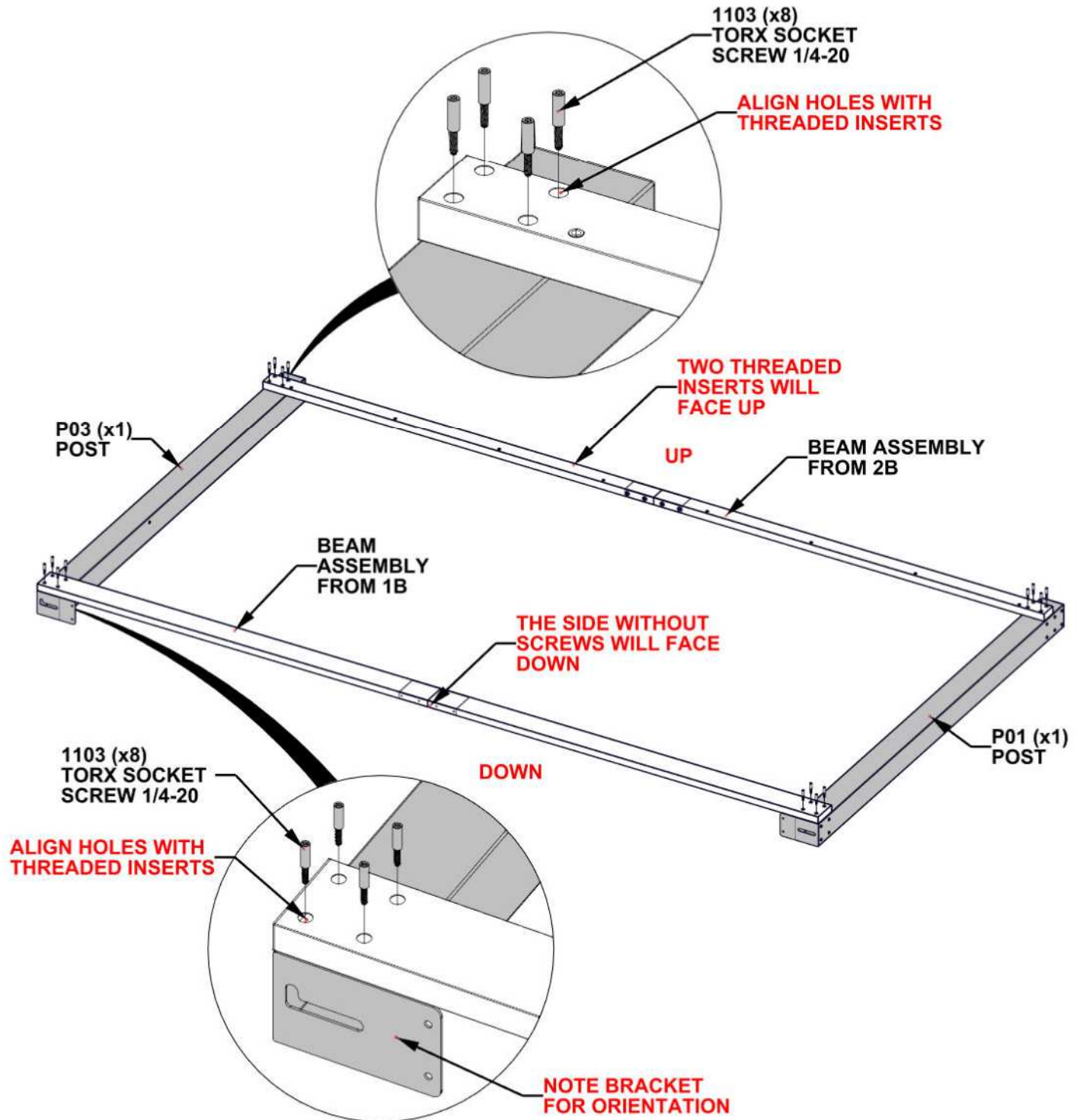


P01 POST - A4M04948  
(x1) 87 7/8"x7 7/8"x4 3/4" (120x200x2232)



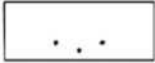
P03 POST - A4M04969  
(x1) 87 7/8"x7 7/8"x4 3/4" (120x200x2232)

- ORIENT POSTS AND BEAMS AS SHOWN BELOW.



# STEP 4A - BEAM ASSEMBLY

QTY	PART NUMBER	DESCRIPTION
2	H101202	TORX PAN HEAD 1/4-20x3/4 ASSY

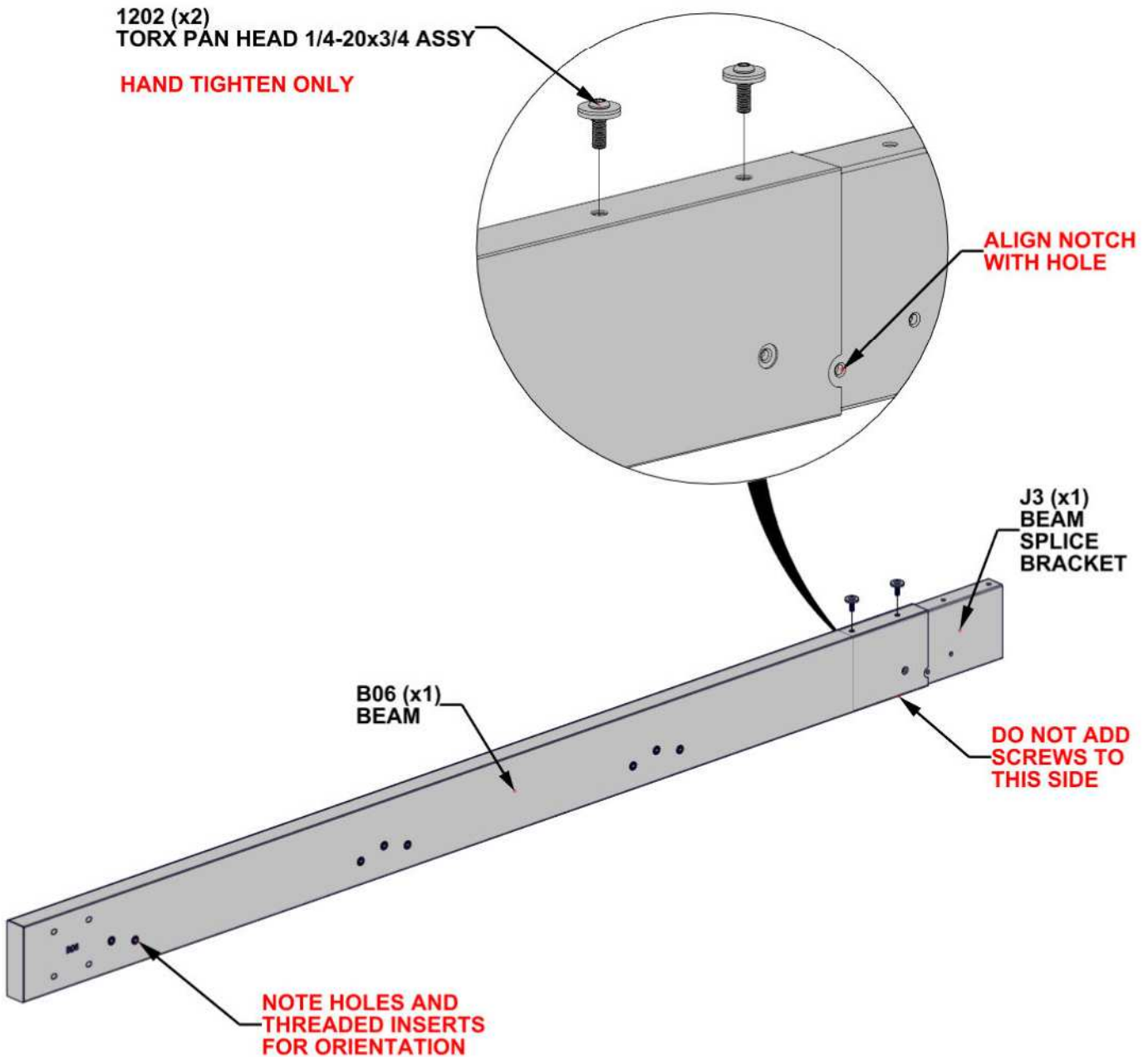


J3 BEAM SPLICE BRACKET - A4M05028  
 (x1) 1 5/16"x4 11/16"x11 13/16" (33.2x119.2x300)



B06 BEAM - A4M04959  
 (x1) 71 7/16"x4 13/16"x1 7/16" (36x122x1815)

- FOR EASE OF ASSEMBLY, WE RECOMMEND USING SAWHORSES FOR STEPS 4A - 5B.
- BEAM AND SPLICE MUST BE ORIENTED AS SHOWN. SLIDE J3 INTO B06 AND LINE UP TWO HOLES TOP AND BOTTOM



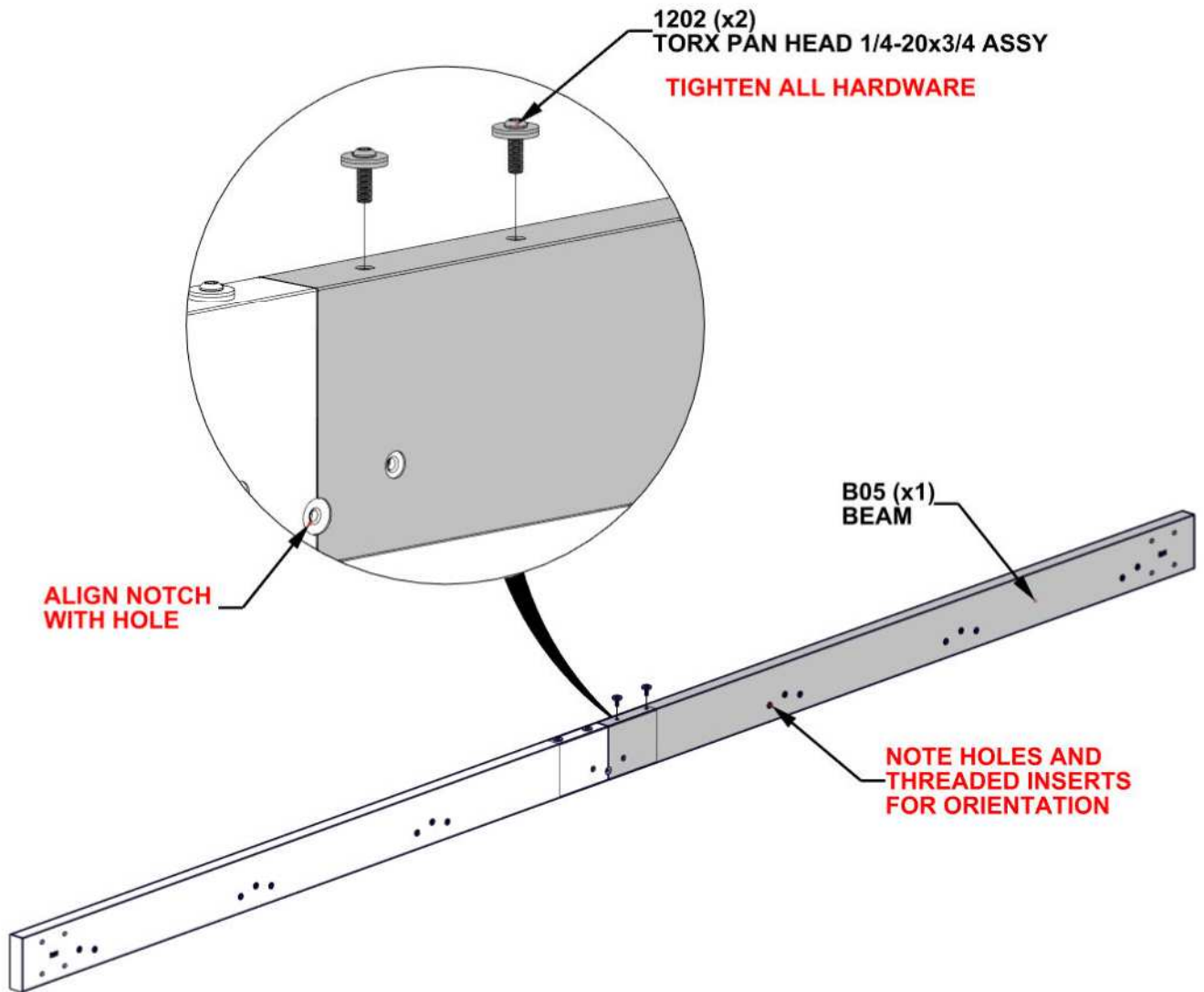
# STEP 4B - BEAM ASSEMBLY

QTY	PART NUMBER	DESCRIPTION
2	H101202	TORX PAN HEAD 1/4-20x3/4 ASSY



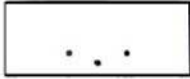
**B05 BEAM - A4M04958**  
(x1) 71 7/16"x4 13/16"x1 7/16" (36x122x1815)

- SLIDE B05 ONTO SPLICE BRACKET.  
GENTLY TAP ENDS OF ASSEMBLY WITH  
RUBBER Mallet UNTIL GAP CLOSSES.



# STEP 5A - BEAM ASSEMBLY

QTY	PART NUMBER	DESCRIPTION
4	H101202	TORX PAN HEAD 1/4-20x3/4 ASSY

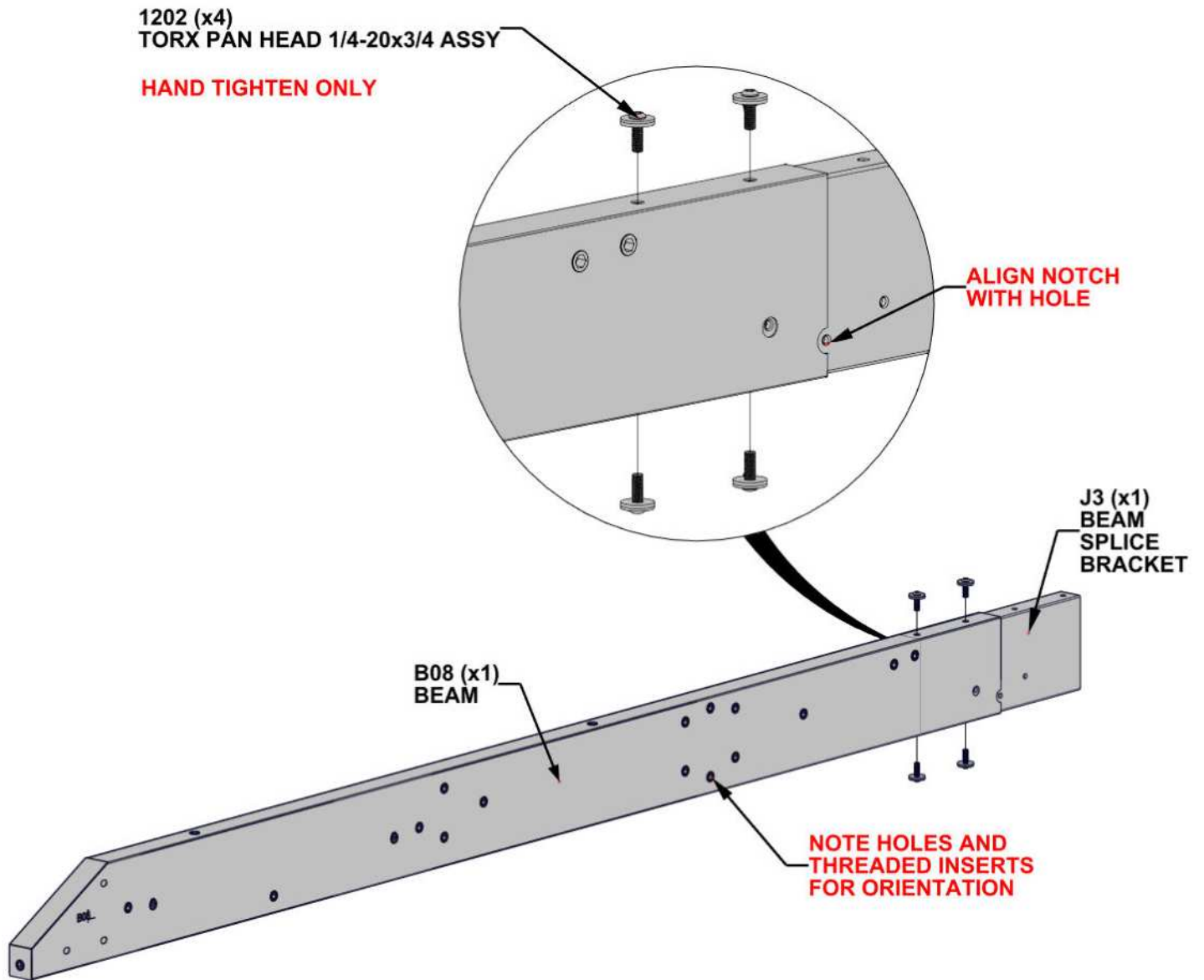


J3 BEAM SPLICE BRACKET - A4M05028  
 (x1) 1 5/16"x4 11/16"x11 13/16" (33.2x119.2x300)



B08 BEAM - A4M04961  
 (x1) 71 5/8"x4 13/16"x1 7/16" (36x122x1819)

- BEAM AND SPLICE MUST BE ORIENTED AS SHOWN. SLIDE J3 INTO B08 AND LINE UP TWO HOLES TOP AND BOTTOM



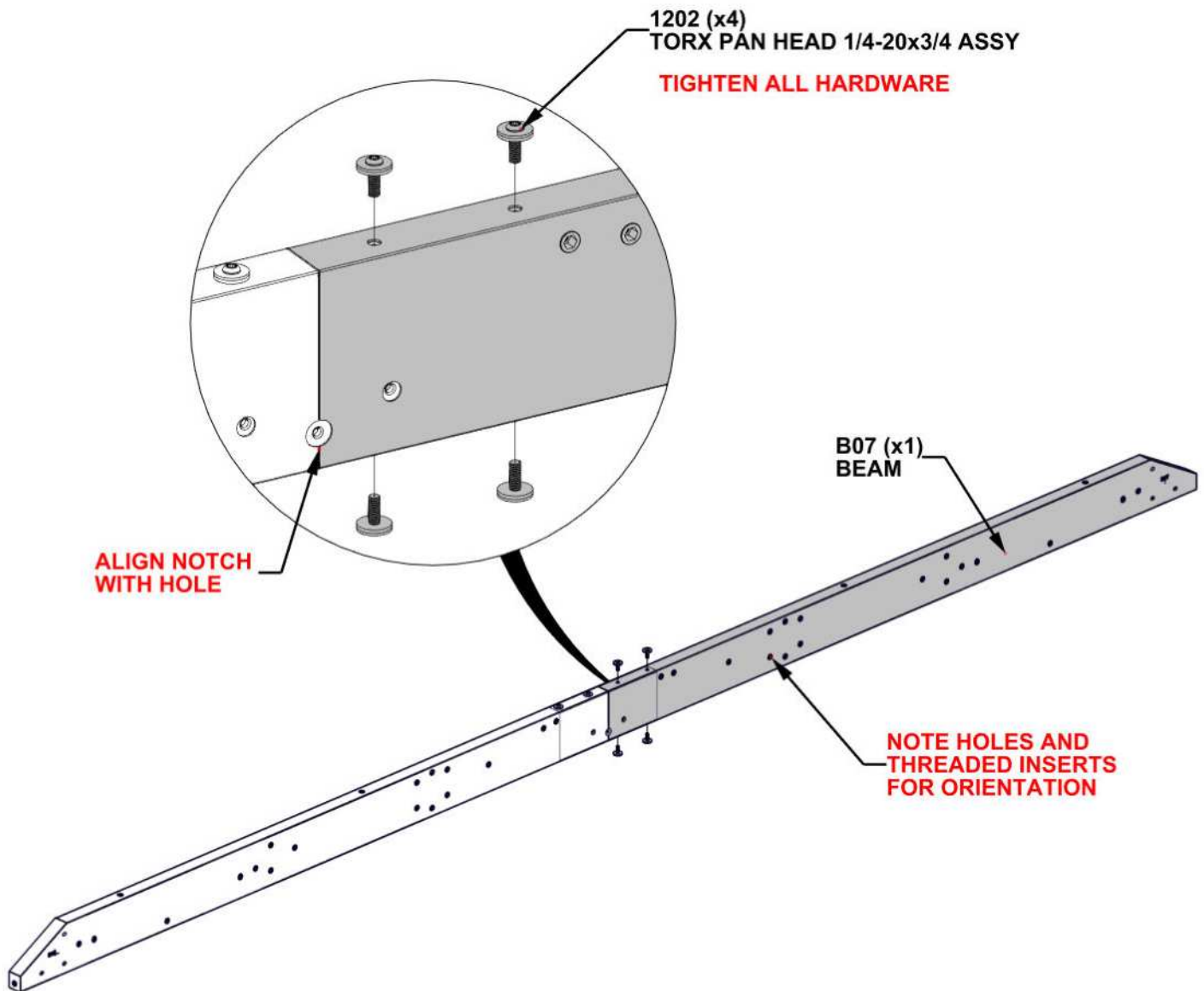
# STEP 5B - BEAM ASSEMBLY

QTY	PART NUMBER	DESCRIPTION
4	H101202	TORX PAN HEAD 1/4-20x3/4 ASSY



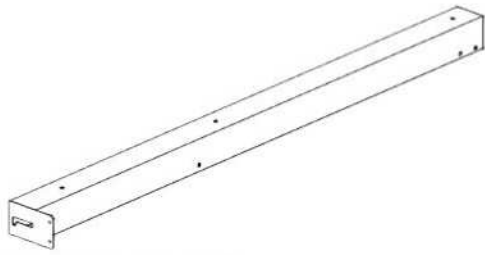
**B07 BEAM - A4M04960**  
(x1) 71 5/8"x4 13/16"x1 7/16" (36x122x1819)

- SLIDE B07 ONTO SPLICE BRACKET.  
GENTLY TAP ENDS OF ASSEMBLY WITH  
RUBBER Mallet UNTIL GAP CLOSES.



# STEP 6A - BEAM ASSEMBLY

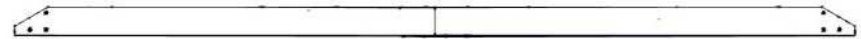
QTY	PART NUMBER	DESCRIPTION
7	H101103	TORX SOCKET SCREW 1/4-20



P04 POST - A4M04970  
(x1) 87 7/8"x7 7/8"x4 3/4" (120x200x2232)

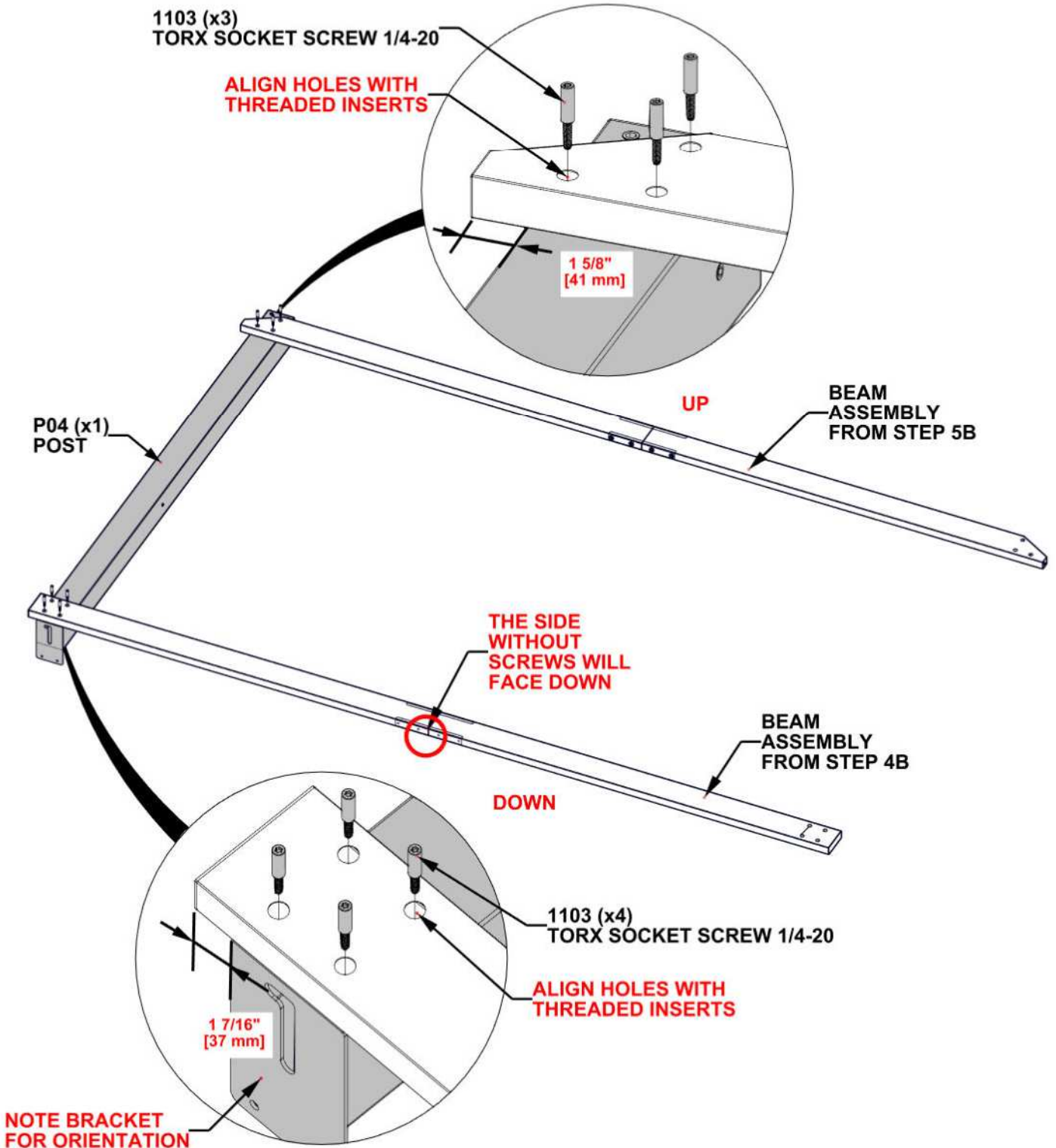


BEAM ASSEMBLY FROM STEP 4B



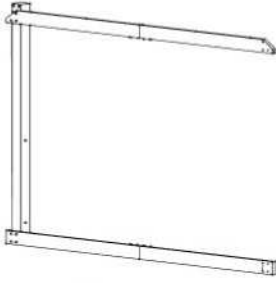
BEAM ASSEMBLY FROM STEP 5B

- ORIENT POST AND BEAMS AS SHOWN BELOW.



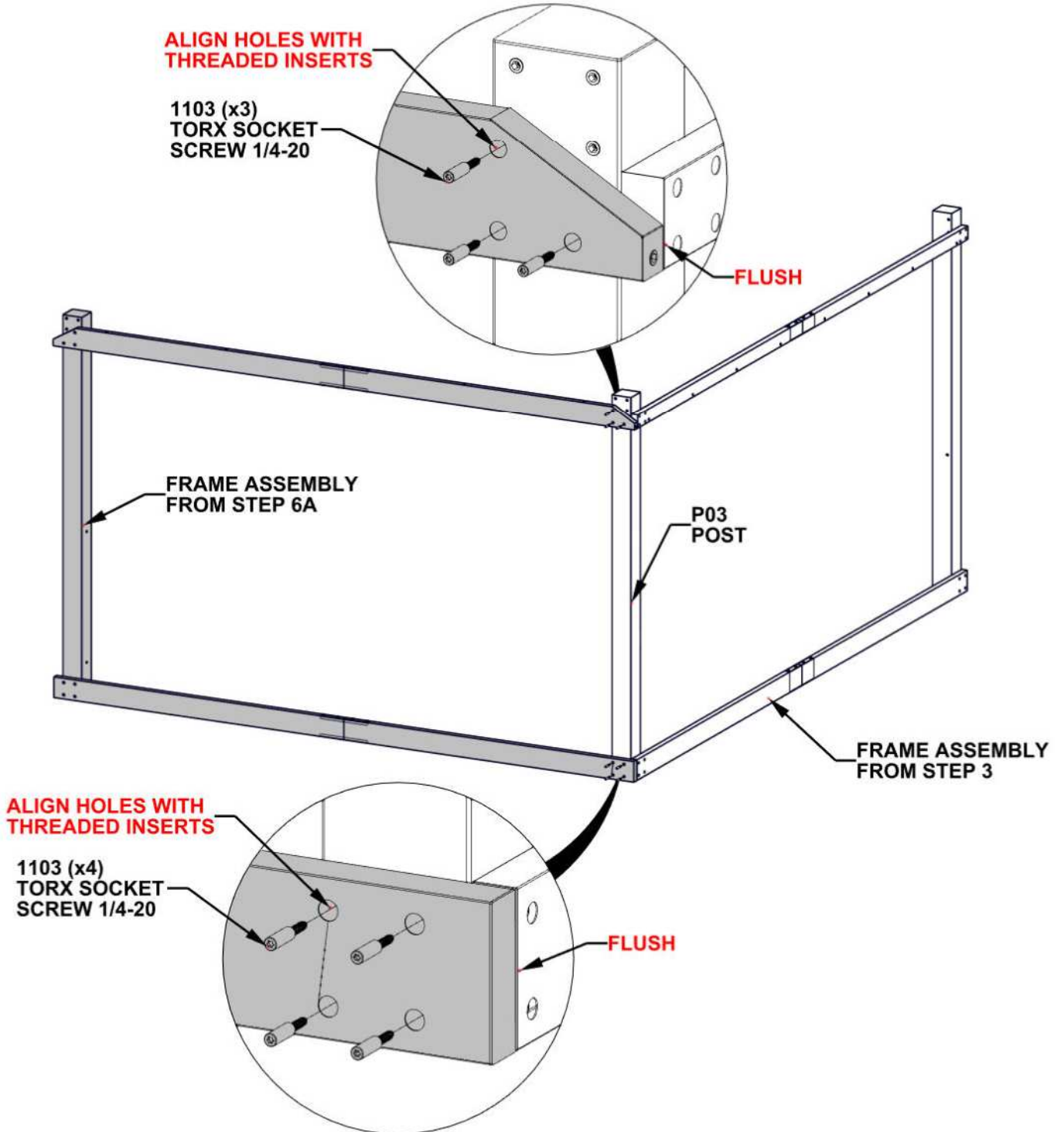
# STEP 6B - FRAME ASSEMBLY

QTY	PART NUMBER	DESCRIPTION
7	H101103	TORX SOCKET SCREW 1/4-20



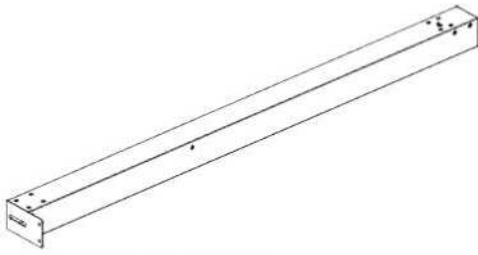
FRAME ASSEMBLY FROM STEP 6A

- WITH AT LEAST TWO OTHER PEOPLE, ATTACH FRAME ASSEMBLY FROM STEP 6A TO ASSEMBLY FROM STEP 3.

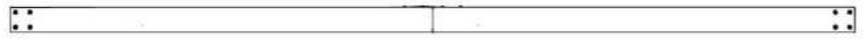


# STEP 7A - FRAME ASSEMBLY

QTY	PART NUMBER	DESCRIPTION
8	H101103	TORX SOCKET SCREW 1/4-20



P02 POST - A4M04949  
(x1) 87 7/8"x7 7/8"x4 3/4" (120x200x2232)

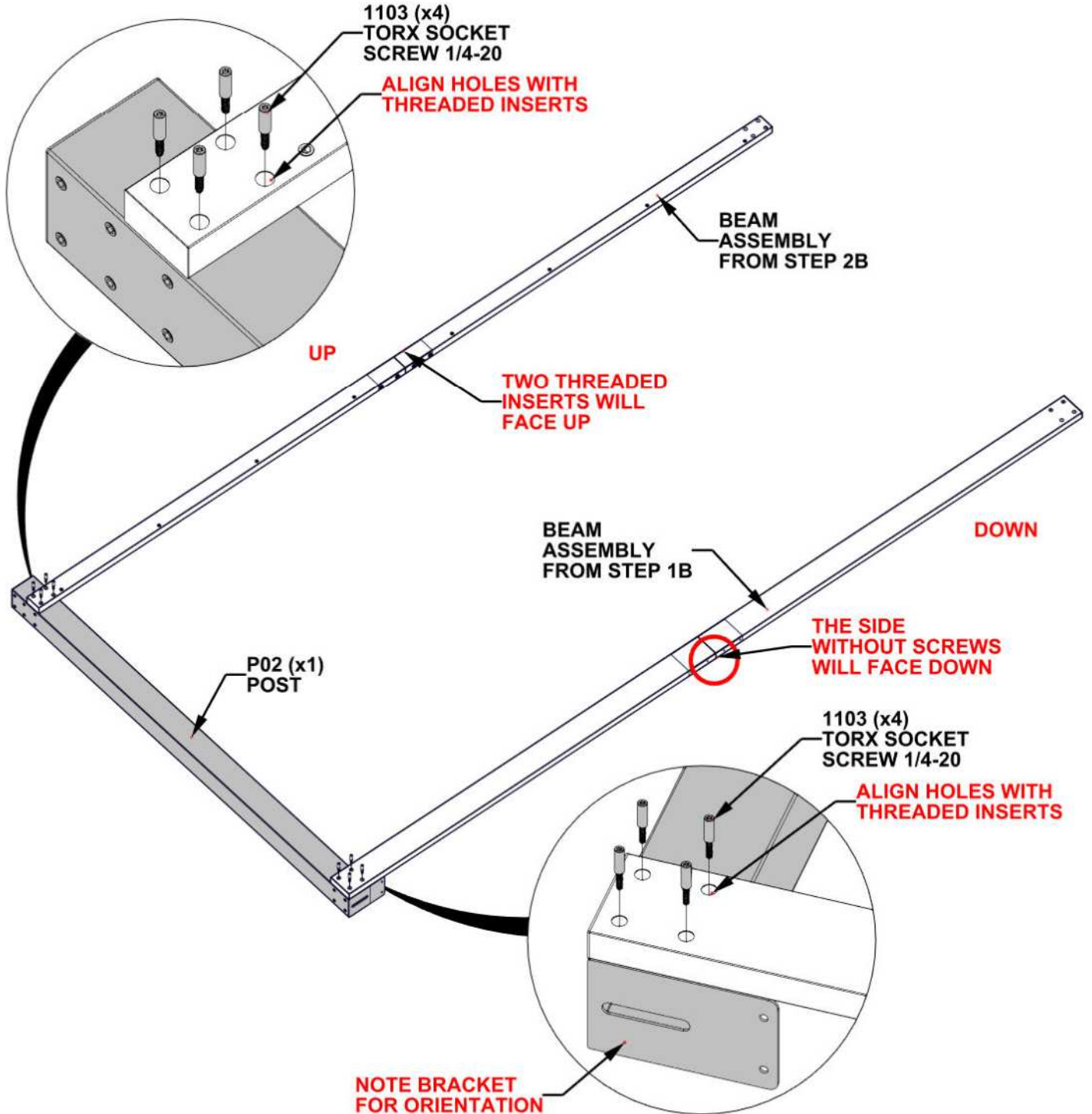


BEAM ASSEMBLY FROM STEP 1B



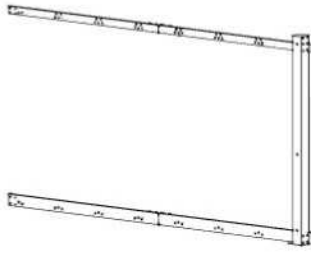
BEAM ASSEMBLY FROM STEP 2B

- ORIENT POST AND BEAMS AS SHOWN BELOW.



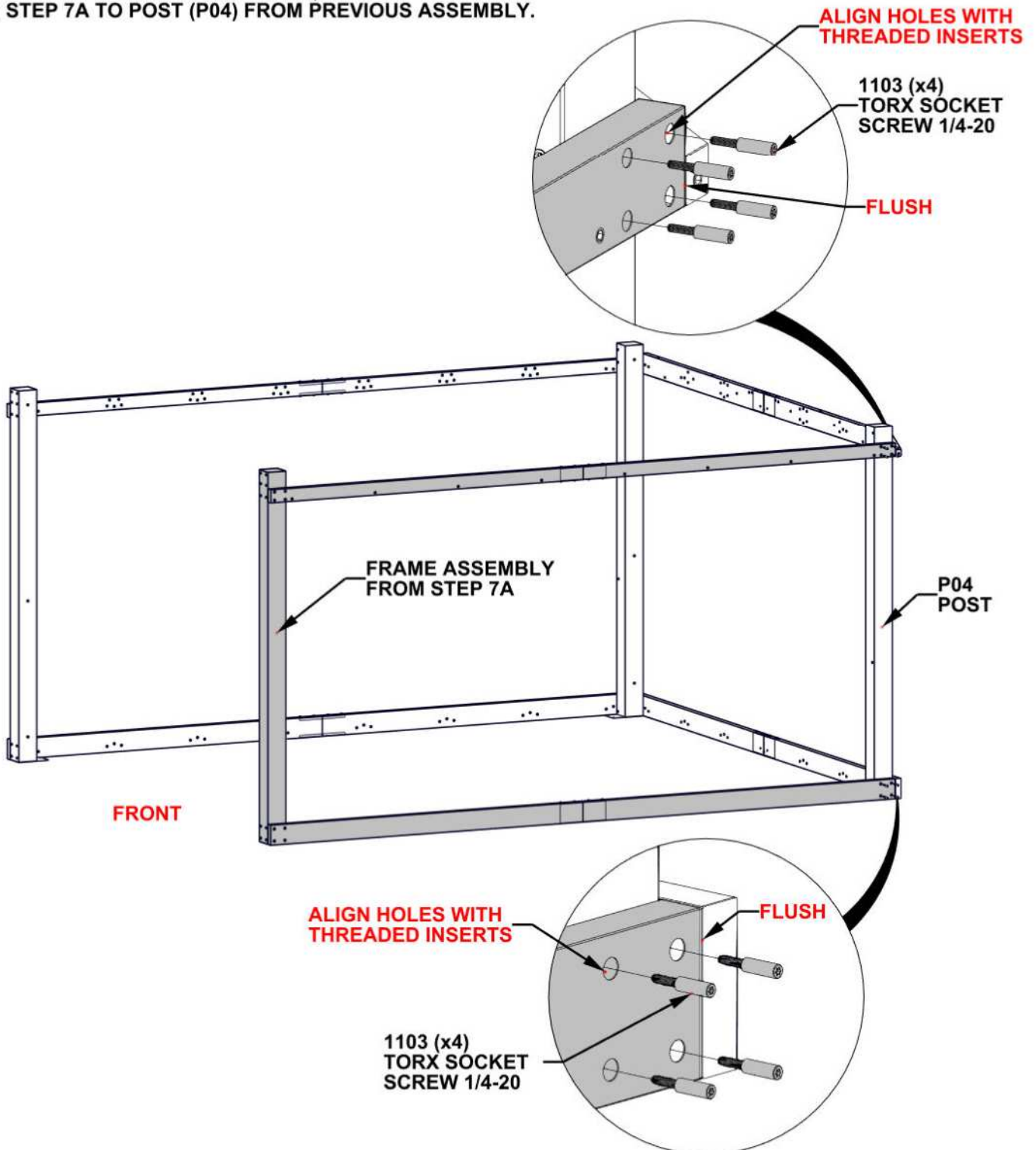
# STEP 7B - FRAME ASSEMBLY

QTY	PART NUMBER	DESCRIPTION
8	H101103	TORX SOCKET SCREW 1/4-20



FRAME ASSEMBLY FROM STEP 7A

- WITH AT LEAST TWO OTHER PEOPLE, ATTACH FRAME ASSEMBLY FROM STEP 7A TO POST (P04) FROM PREVIOUS ASSEMBLY.

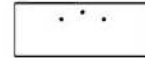


# STEP 8A - BEAM ASSEMBLY

QTY	PART NUMBER	DESCRIPTION
2	H101202	TORX PAN HEAD 1/4-20x3/4 ASSY



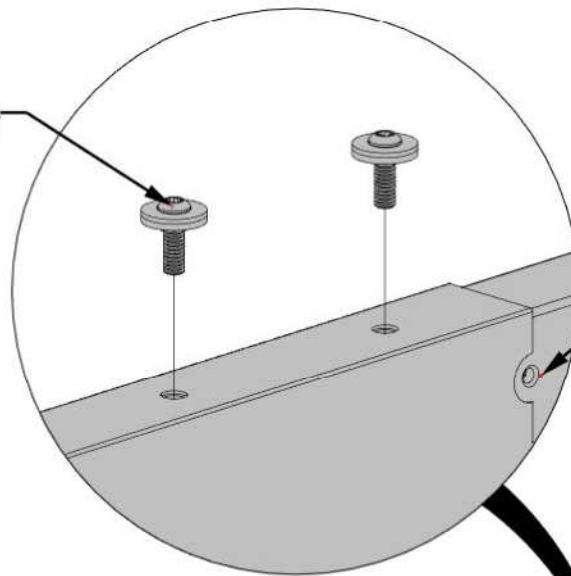
**B10 BEAM - A4M04963**  
 (x1) 71 5/8"x4 13/16"x1 7/16" (36x122x1819)



**J3 BEAM SPLICE BRACKET - A4M05028**  
 (x1) 1 5/16"x4 11/16"x11 13/16" (33.2x119.2x300)

- FOR EASE OF ASSEMBLY, WE RECOMMEND USING SAWHORSES FOR STEPS 8A - 8B.
- BEAM AND SPLICE MUST BE ORIENTED AS SHOWN. SLIDE J3 INTO B10 AND LINE UP TWO HOLES TOP AND BOTTOM

1202 (x2)  
 TORX PAN HEAD 1/4-20x3/4 ASSY  
**HAND TIGHTEN ONLY**

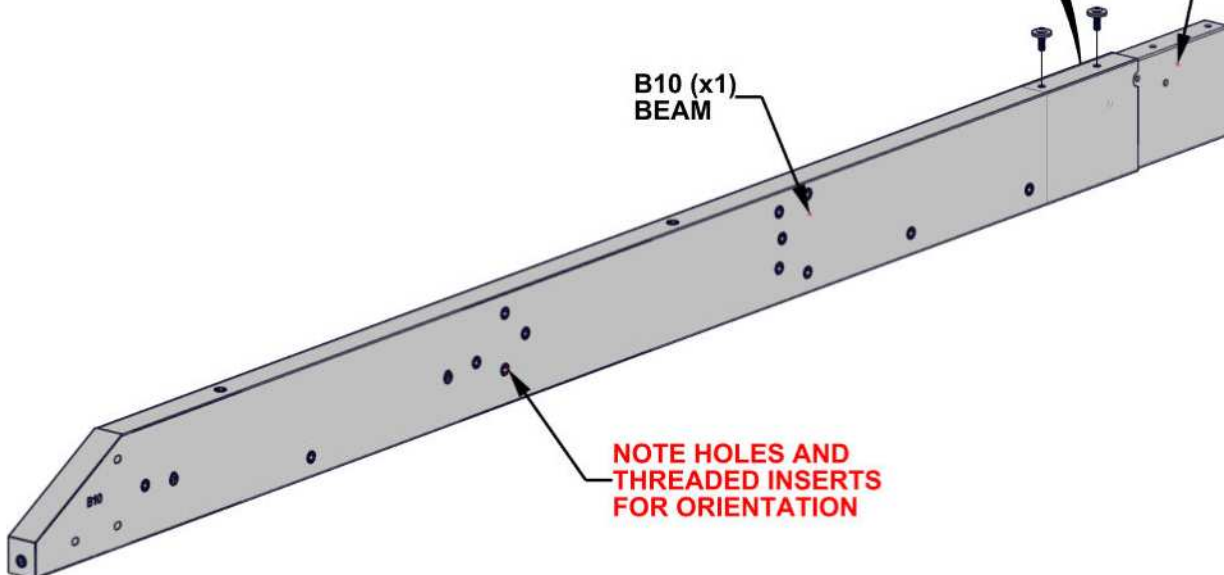


**ALIGN NOTCH WITH HOLE**

J3 (x1)  
 BEAM  
 SPLICE  
 BRACKET

B10 (x1)  
 BEAM

**NOTE HOLES AND  
 THREADED INSERTS  
 FOR ORIENTATION**



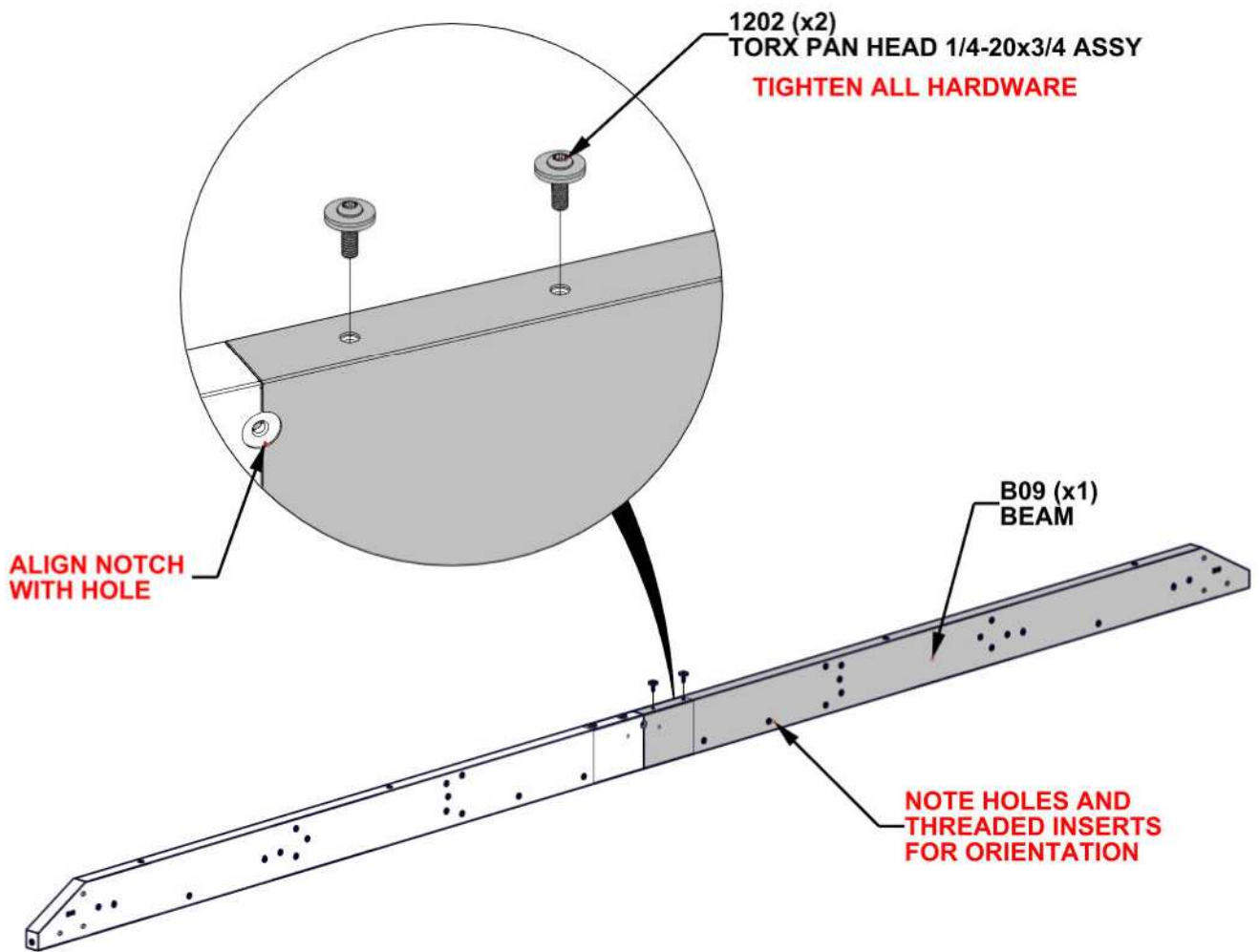
# STEP 8B - BEAM ASSEMBLY

QTY	PART NUMBER	DESCRIPTION
2	H101202	TORX PAN HEAD 1/4-20x3/4 ASSY



B09 BEAM - A4M04962  
(x1) 71 5/8"x4 13/16"x1 7/16" (36x122x1819)

- SLIDE B09 ONTO SPLICE BRACKET.  
GENTLY TAP ENDS OF ASSEMBLY WITH  
RUBBER Mallet UNTIL GAP CLOSES.



# STEP 8C - FRAME ASSEMBLY

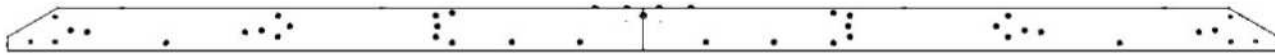
QTY	PART NUMBER	DESCRIPTION
14	H101103	TORX SOCKET SCREW 1/4-20



**B11 BEAM - A4M04994**  
(x1) 49 1/8"x4 13/16"x1 7/16" (36x122x1248)



**B12 BEAM - A4M04995**  
(x1) 49 1/8"x4 13/16"x1 7/16" (36x122x1248)



BEAM ASSEMBLY FROM STEP 8B

- WITH AT LEAST TWO OTHER PEOPLE, ATTACH BEAMS AND BEAM ASSEMBLY TO POSTS FROM PREVIOUS ASSEMBLY.

**ALIGN HOLES WITH  
THREADED INSERTS**

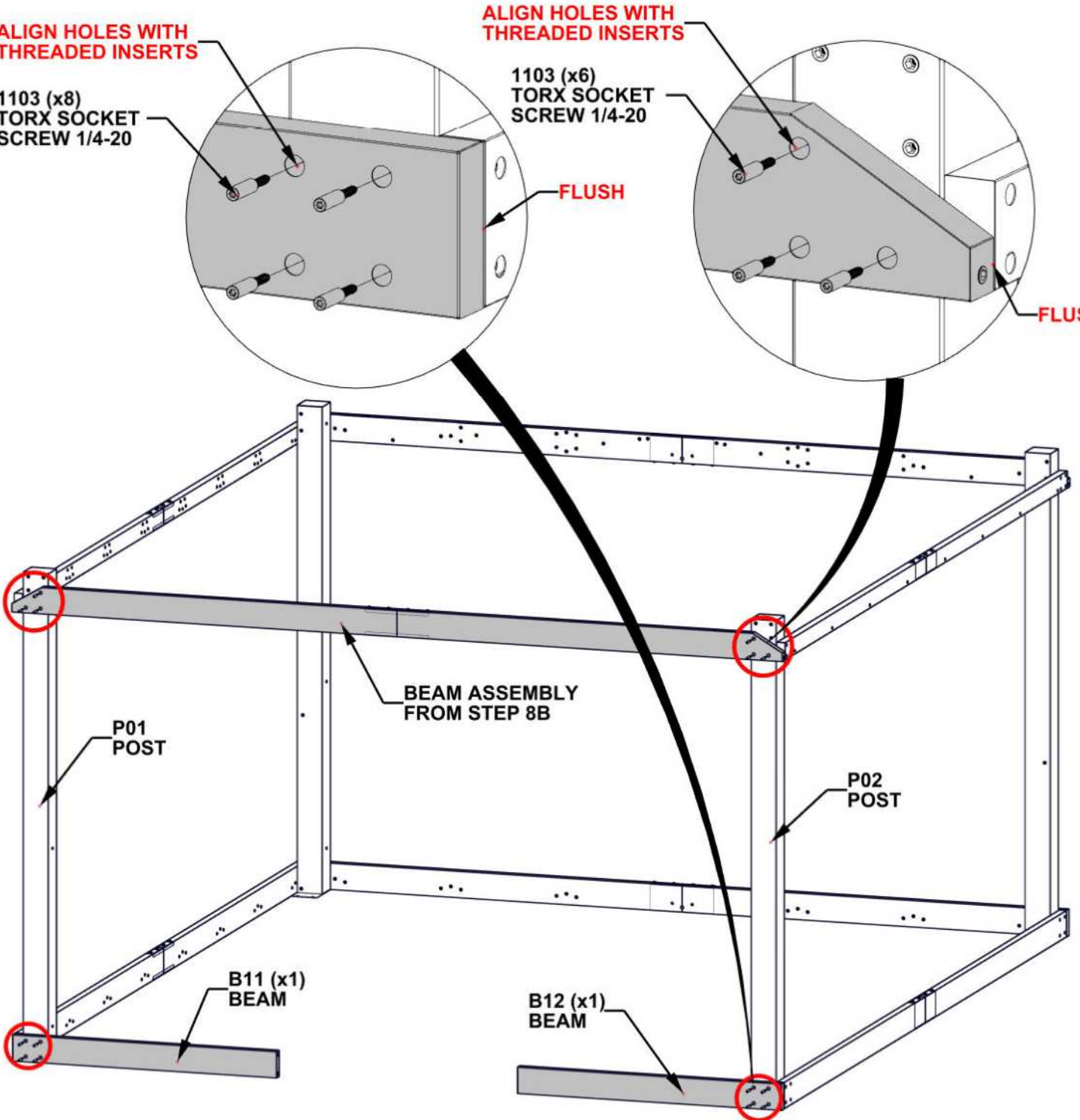
**1103 (x8)  
TORX SOCKET  
SCREW 1/4-20**

**ALIGN HOLES WITH  
THREADED INSERTS**

**1103 (x6)  
TORX SOCKET  
SCREW 1/4-20**

**FLUSH**

**FLUSH**



# STEP 9 - FRAME ASSEMBLY

QTY	PART NUMBER	DESCRIPTION
10	H101103	TORX SOCKET SCREW 1/4-20



F14 DOOR UPRIGHT - A4M04992  
(x1) 82 13/16"x4 5/16"x2 3/16" (56.2x110x2103)

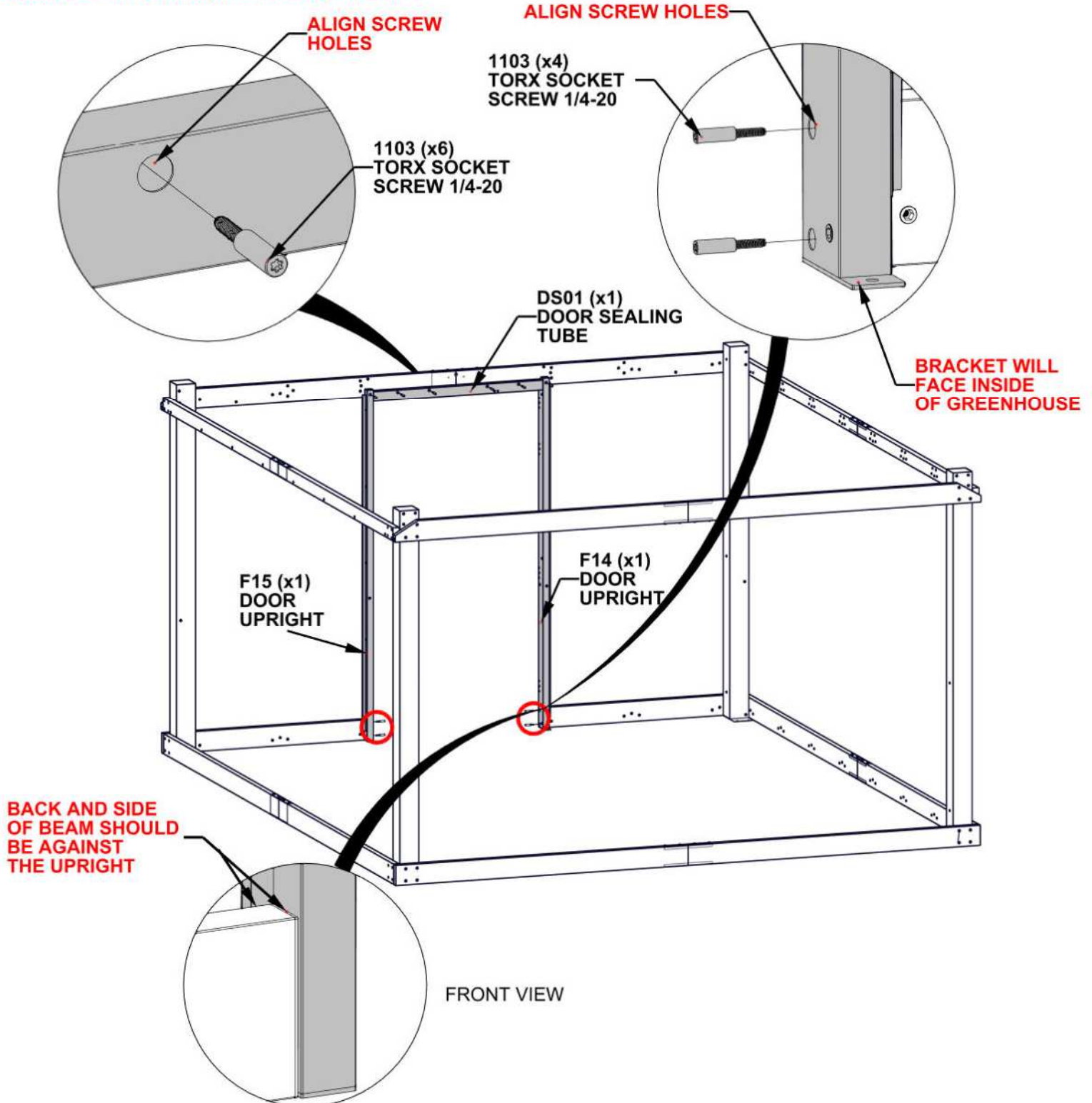


DS01 DOOR SEALING TUBE - A4M05000  
(x1) 41 5/16"x2 3/8"x1 9/16" (40x60x1050)



F15 DOOR UPRIGHT - A4M04993  
(x1) 82 13/16"x4 5/16"x2 3/16" (56.2x110x2103)

**- ASSEMBLE F15 FIRST, THEN DS01, THEN F14.**

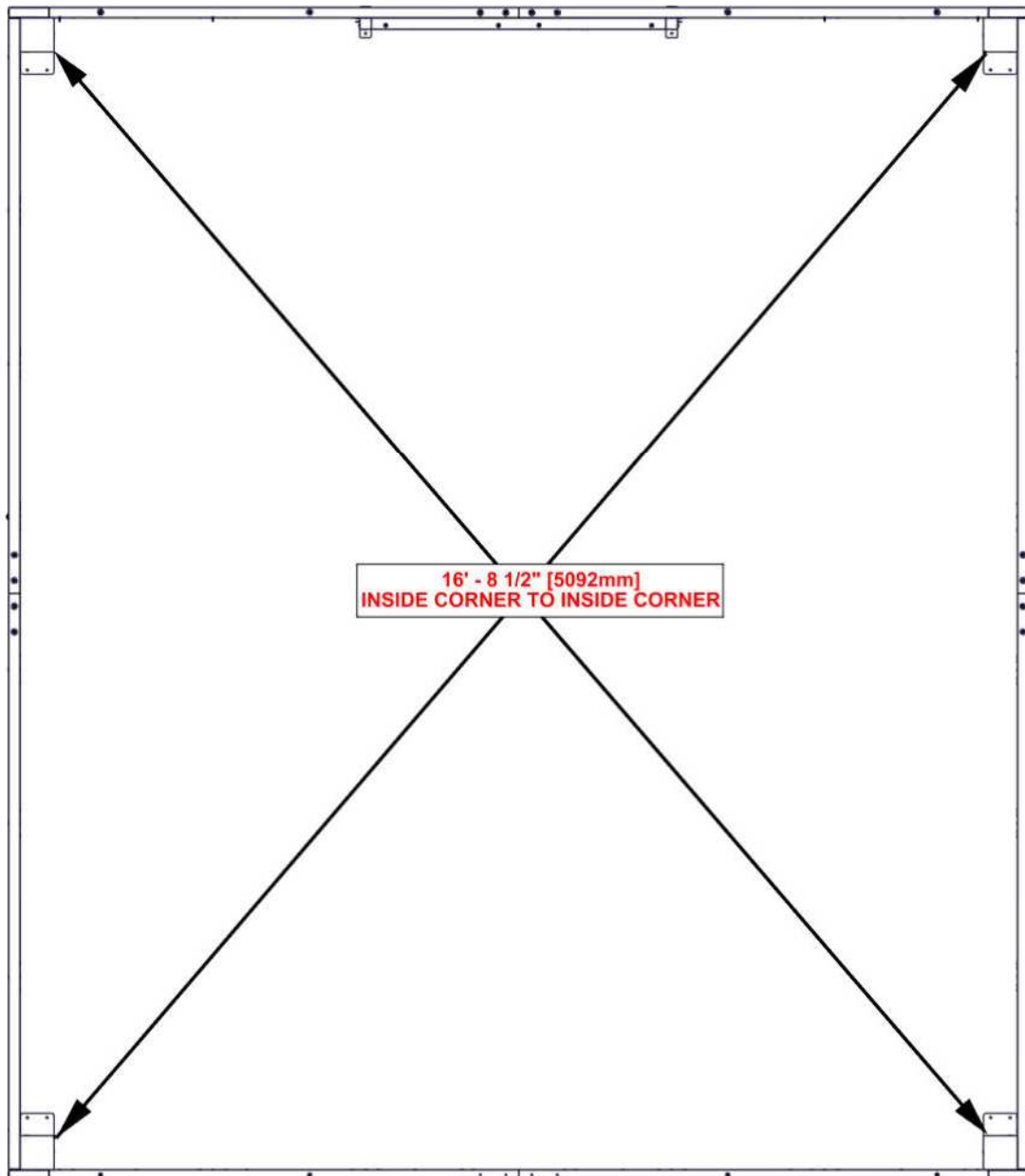


# STEP 10 - SQUARE STRUCTURE

**CRITICAL:**

- SQUARE UNIT BEFORE PROCEEDING TO NEXT STEPS.
- THE BELOW DIMENSIONS ARE CRITICAL TO THE FINAL ASSEMBLY.
- MEASUREMENTS SHOULD BE WITHIN  $\pm 1/4"$  (6mm).
- MEASUREMENTS OUTSIDE OF TOLERANCE WILL LEAD TO ISSUES ON FUTURE ASSEMBLY STEPS.
- TIGHTEN ALL HARDWARE FROM PREVIOUS STEPS.

**MEASUREMENTS TAKEN FROM INSIDE CORNER TO INSIDE CORNER OF POST**



# STEP 11A - WINDOW FRAME ASSEMBLY

QTY	PART NUMBER	DESCRIPTION
8	H101202	TORX PAN HEAD 1/4-20x3/4 ASSY



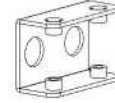
F16 UPRIGHT - A4M05558  
(x1) 89 3/16"x3 1/8"x2 3/16" (55x80x2265)



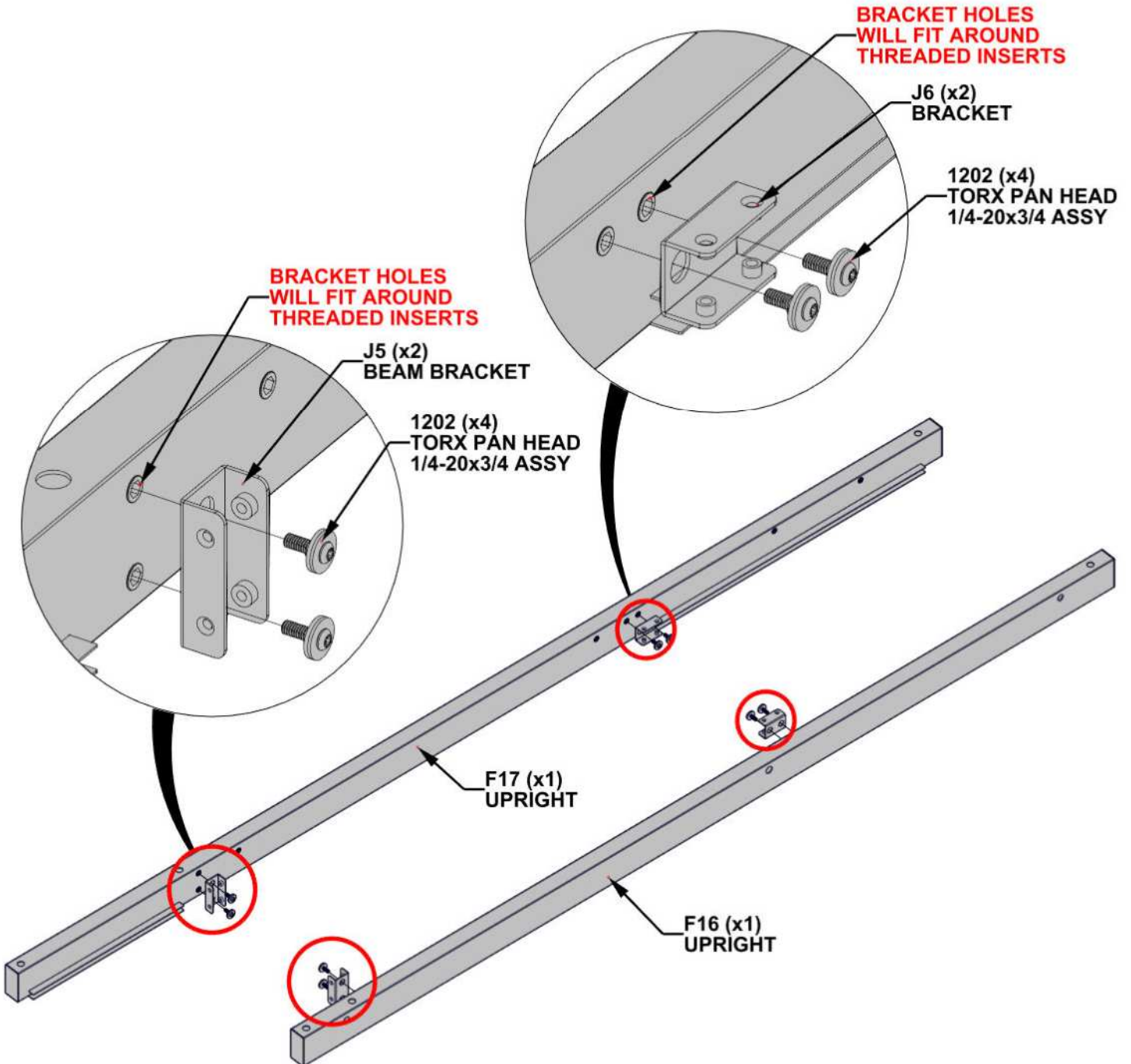
F17 UPRIGHT - A4M05559  
(x1) 101 9/16"x3 1/8"x2 3/4" (70x80x2580)



J5 BEAM BRACKET - A4M04950  
(x2) 3"x1 7/16"x15/16" (24x37.2x76)

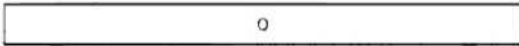


J6 BRACKET - A4M05037  
(x2) 2 3/16"x1 7/16"x15/16" (24x37.2x56)

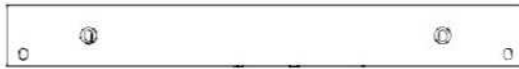


# STEP 11B - WINDOW FRAME ASSEMBLY

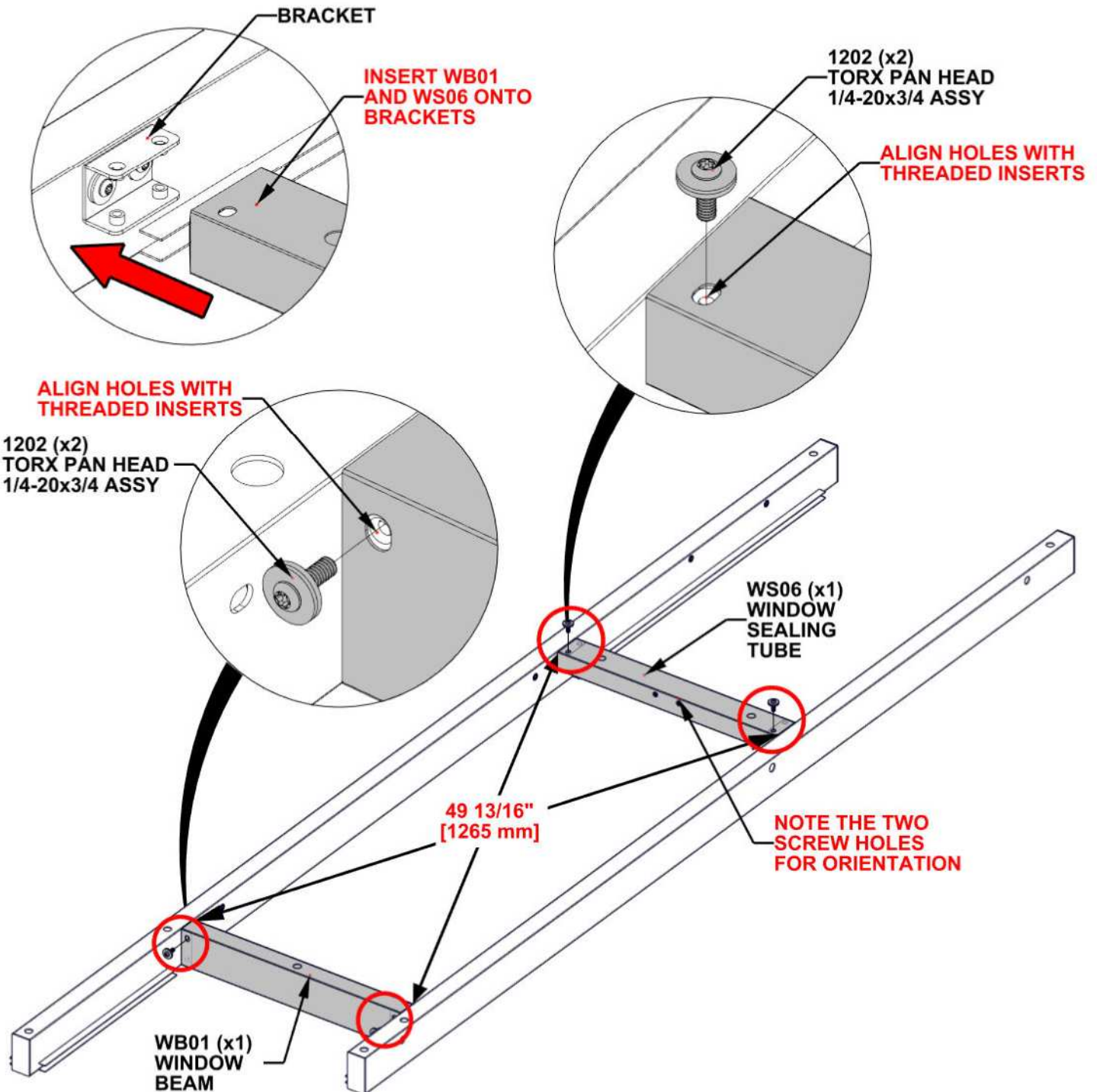
QTY	PART NUMBER	DESCRIPTION
4	H101202	TORX PAN HEAD 1/4-20x3/4 ASSY



**WB01 WINDOW BEAM - A4M04987**  
(x1) 19 15/16"x3 1/8"x1 9/16" (40x80x506)



**WS06 WINDOW SEALING TUBE - A4M05002**  
(x1) 19 15/16"x2 3/8"x1 9/16" (40x60x506)



# STEP 11C - WINDOW FRAME ASSEMBLY

QTY	PART NUMBER	DESCRIPTION
5	H101293	TORX PAN HEAD 1/4-20x1 3/8"
5	H101054	SEALANT WASHER
5	H101053	STEEL WASHER 6x20



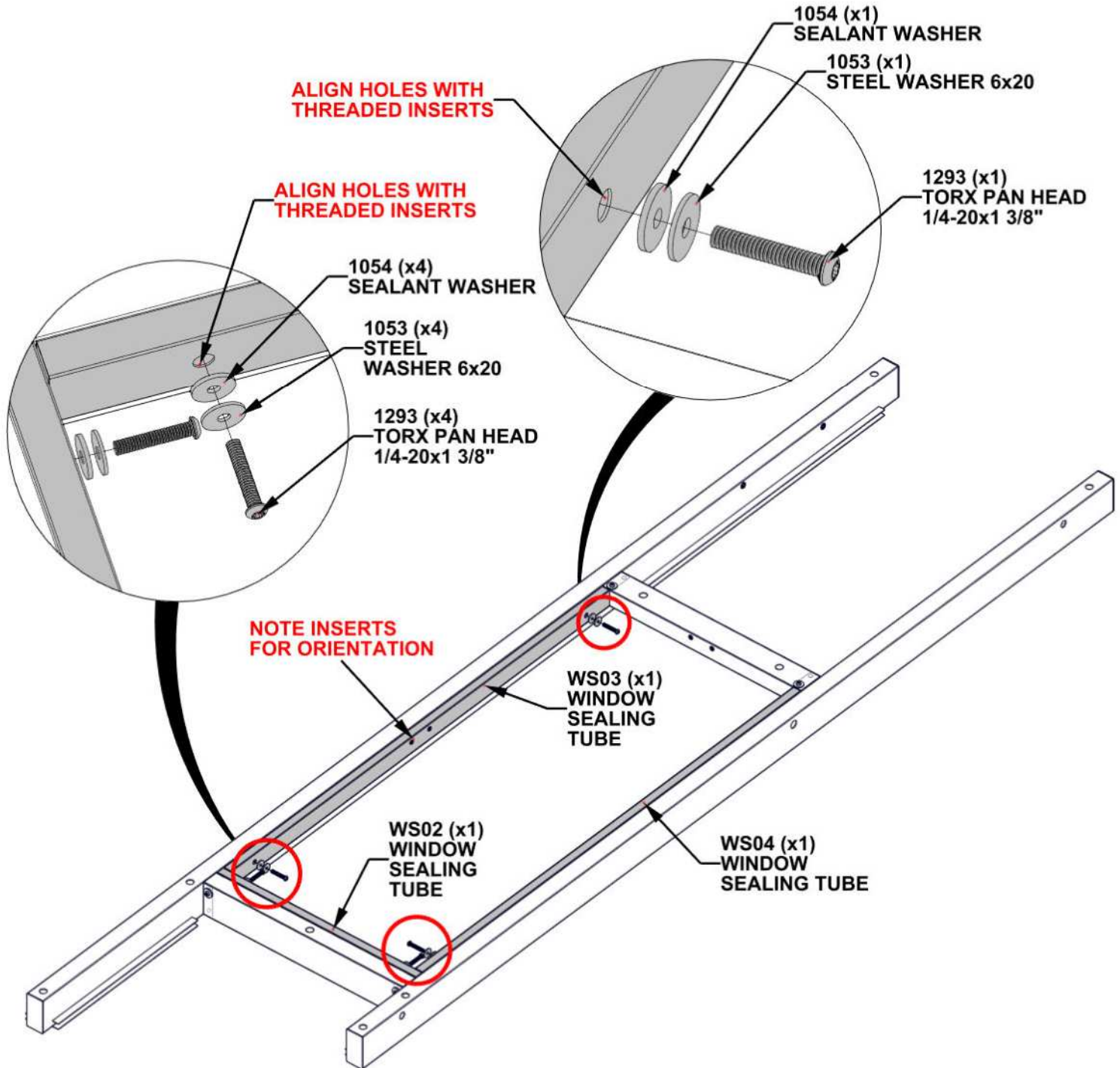
**WS03 WINDOW SEALING TUBE - A4M05572**  
(x1) 44 13/16"x1 9/16"x13/16" (20x40x1139)



**WS04 WINDOW SEALING TUBE - A4M05045**  
(x1) 44 13/16"x1 9/16"x13/16" (20x40x1139)



**WS02 WINDOW SEALING TUBE - A4M05044**  
(x1) 19 13/16"x1 9/16"x13/16" (20x40x504)



# STEP 12A - WINDOW FRAME ASSEMBLY

QTY	PART NUMBER	DESCRIPTION
8	H101202	TORX PAN HEAD 1/4-20x3/4 ASSY

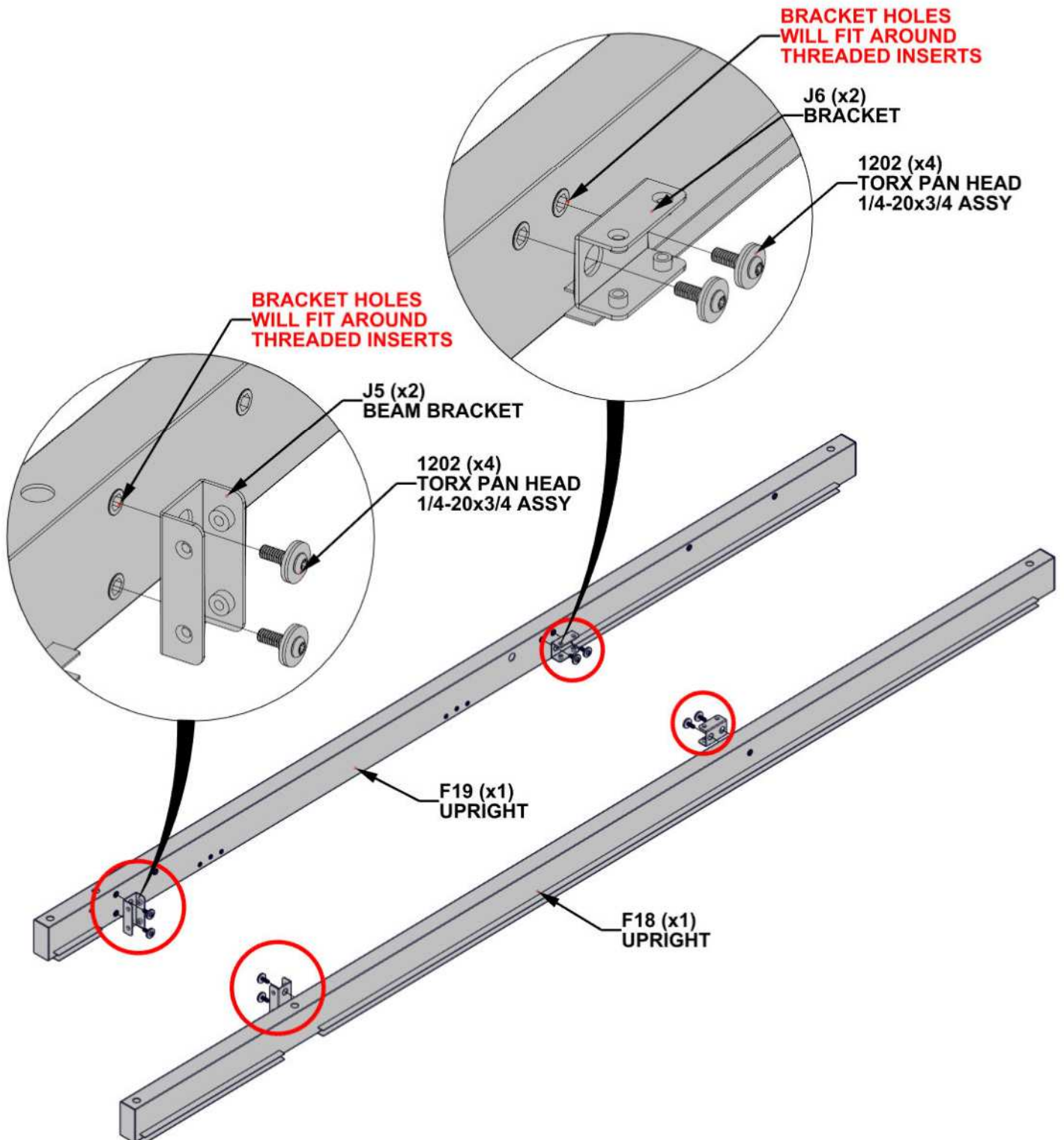
F19 UPRIGHT - A4M05560  
(x1) 89 3/16"x3 1/8"x2 3/16" (55x80x2265)



F18 UPRIGHT - A4M05561  
(x1) 101 9/16"x3 1/8"x2 3/4" (70.00x80x2580)

J5 BEAM BRACKET - A4M04950  
(x2) 3"x1 7/16"x15/16" (24x37.2x76)

J6 BRACKET - A4M05037  
(x2) 2 3/16"x1 7/16"x15/16" (24x37.2x56)



# STEP 12B - WINDOW FRAME ASSEMBLY

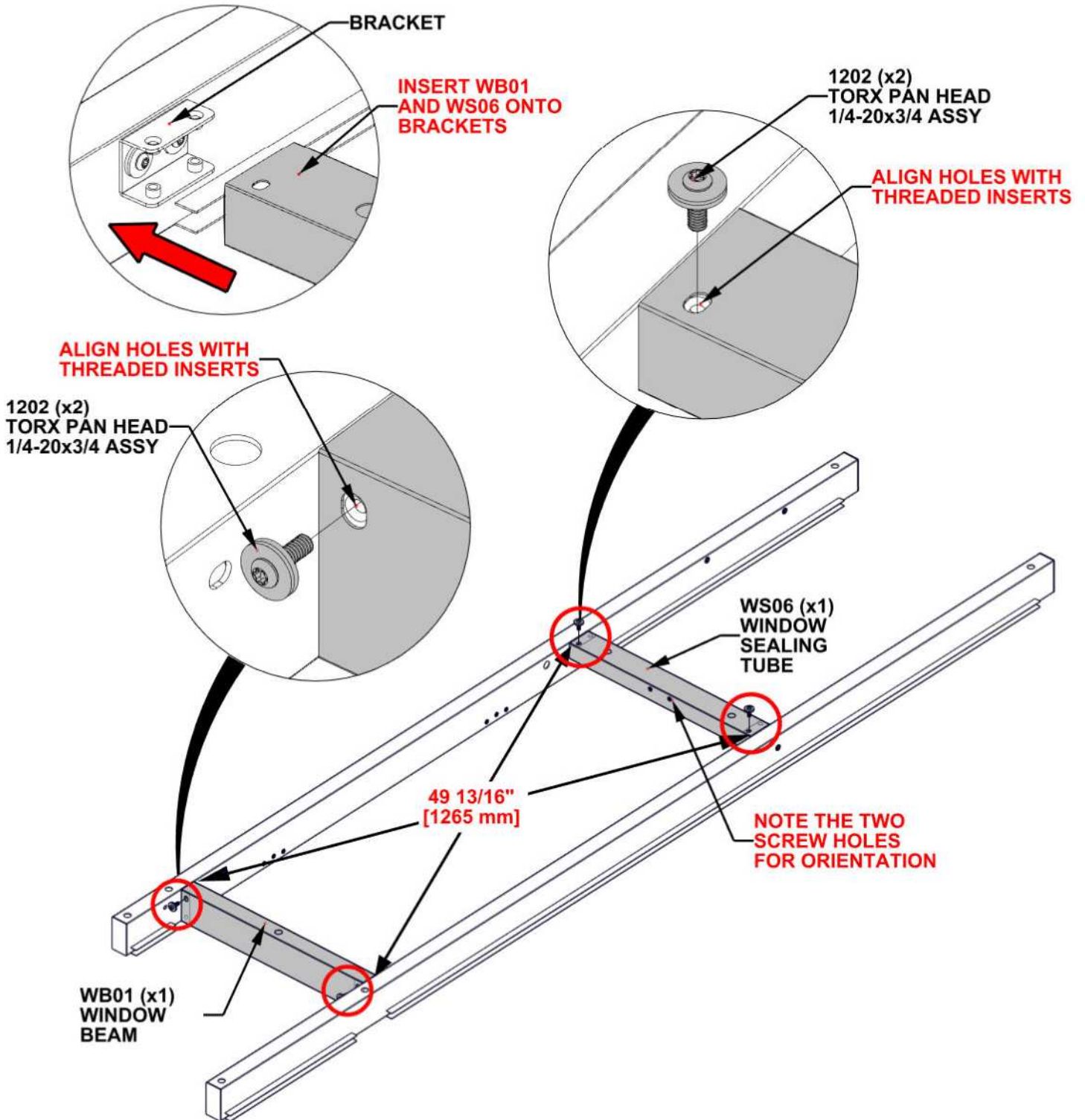
QTY	PART NUMBER	DESCRIPTION
4	H101202	TORX PAN HEAD 1/4-20x3/4 ASSY



**WB01 WINDOW BEAM - A4M04987**  
(x1) 19 15/16"x3 1/8"x1 9/16" (40x80x506)



**WS06 WINDOW SEALING TUBE - A4M05002**  
(x1) 19 15/16"x2 3/8"x1 9/16" (40x60x506)



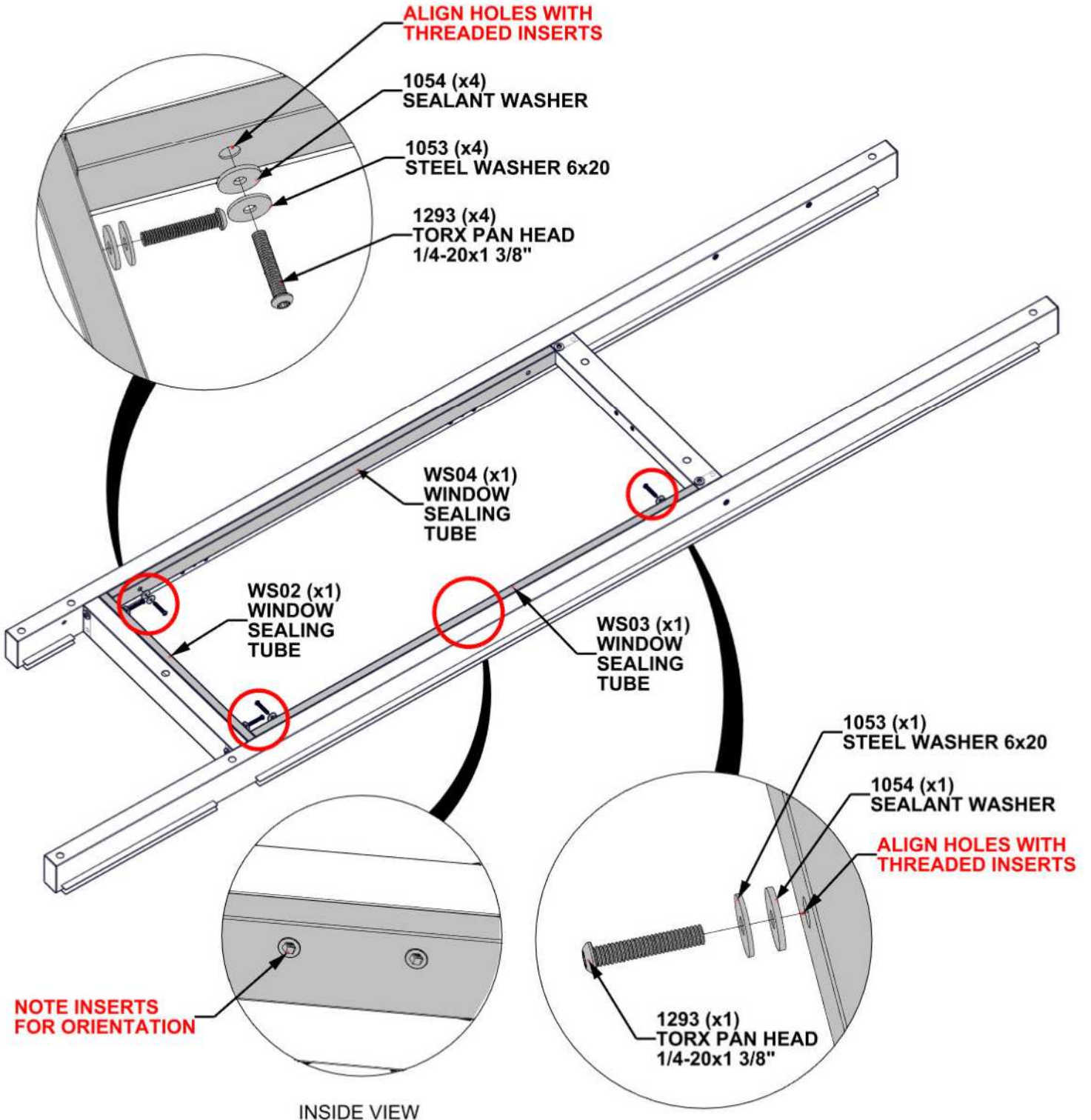
# STEP 12C - WINDOW FRAME ASSEMBLY

QTY	PART NUMBER	DESCRIPTION
5	H101293	TORX PAN HEAD 1/4-20x1 3/8"
5	H101054	SEALANT WASHER
5	H101053	STEEL WASHER 6x20

WS03 WINDOW SEALING TUBE - A4M05572  
(x1) 44 13/16"x1 9/16"x13/16" (20x40x1139)

WS04 WINDOW SEALING TUBE - A4M05045  
(x1) 44 13/16"x1 9/16"x13/16" (20x40x1139)

WS02 WINDOW SEALING TUBE - A4M05044  
(x1) 19 13/16"x1 9/16"x13/16" (20x40x504)



# STEP 13A - WINDOW FRAME ASSEMBLY

QTY	PART NUMBER	DESCRIPTION
8	H101202	TORX PAN HEAD 1/4-20x3/4 ASSY



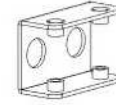
**F09 UPRIGHT - A4M04983**  
(x1) 89 3/16"x3 1/8"x1 9/16" (40x80x2265)



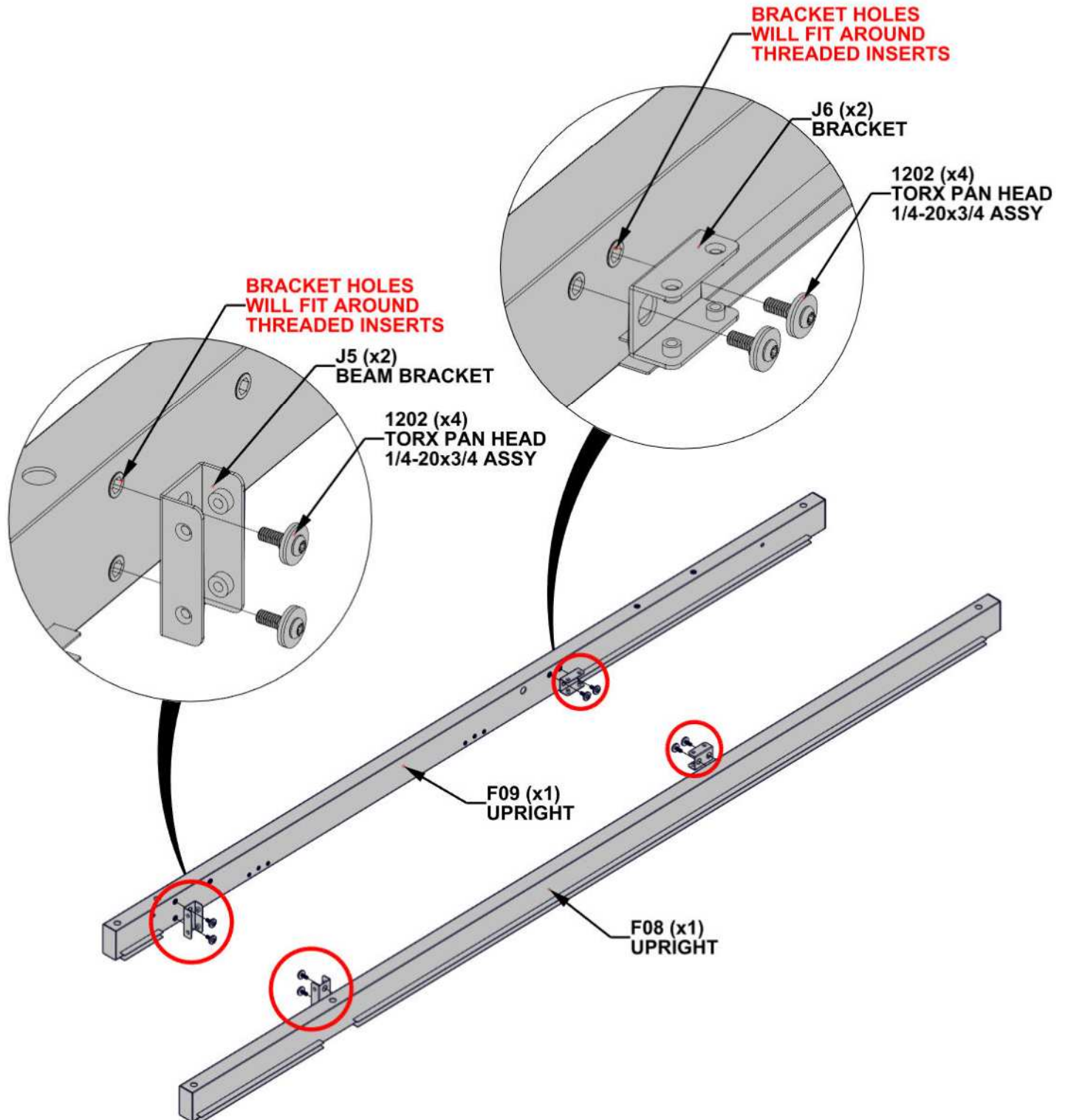
**F08 UPRIGHT - A4M04985**  
(x1) 101 9/16"x3 1/8"x2 3/4" (70x80x2580)



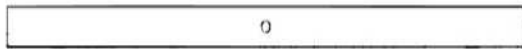
**J5 BEAM BRACKET - A4M04950**  
(x2) 3"x1 7/16"x15/16" (24x37.2x76)



**J6 BRACKET - A4M05037**  
(x2) 2 3/16"x1 7/16"x15/16" (24x37.2x56)



# STEP 13B - WINDOW FRAME ASSEMBLY

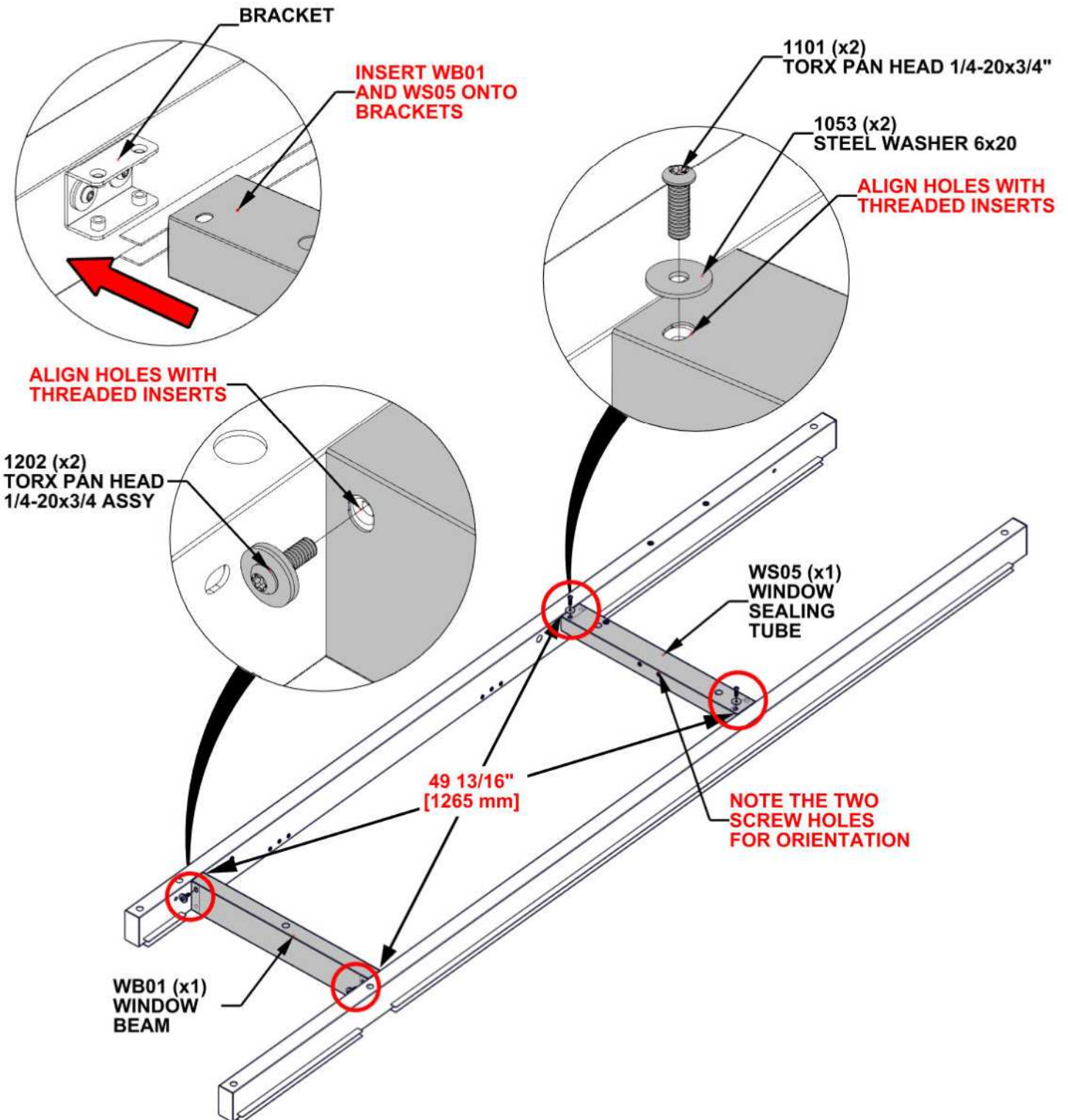


**WB01 WINDOW BEAM - A4M04987**  
(x1) 19 15/16"x3 1/8"x1 9/16" (40x80x506)



**WS05 WINDOW SEALING TUBE - A4M05418**  
(x1) 19 15/16"x2 3/8"x1 9/16" (40x60x506)

QTY	PART NUMBER	DESCRIPTION
2	H101202	TORX PAN HEAD 1/4-20x3/4 ASSY
2	H101101	TORX PAN HEAD 1/4-20x3/4"
2	H101053	STEEL WASHER 6x20



# STEP 13C - WINDOW FRAME ASSEMBLY

QTY	PART NUMBER	DESCRIPTION
5	H101293	TORX PAN HEAD 1/4-20x1 3/8"
5	H101054	SEALANT WASHER
5	H101053	STEEL WASHER 6x20



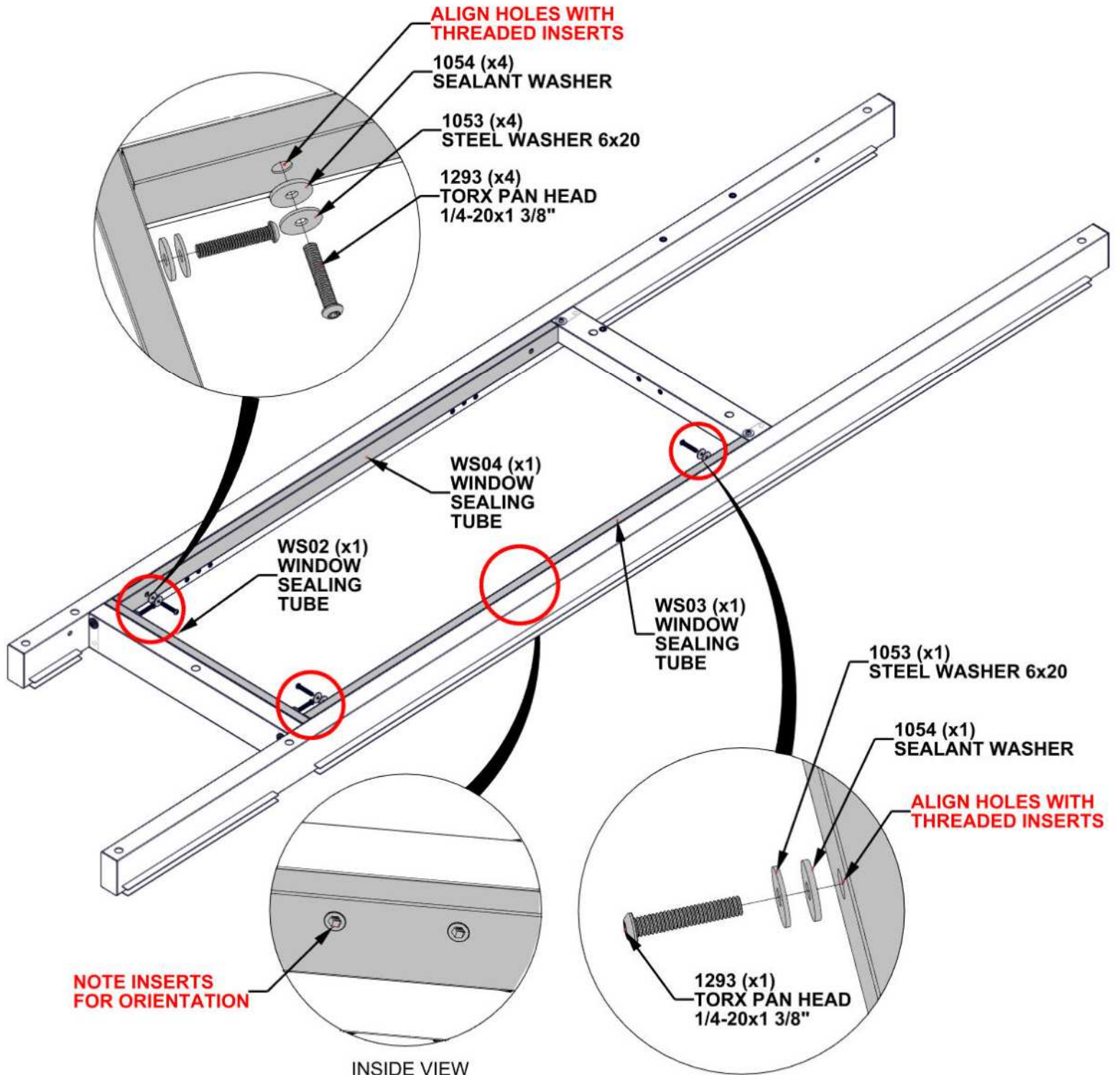
**WS03 WINDOW SEALING TUBE - A4M05572**  
 (x1) 44 13/16"x1 9/16"x13/16" (20x40x1139)



**WS04 WINDOW SEALING TUBE - A4M05045**  
 (x1) 44 13/16"x1 9/16"x13/16" (20x40x1139)



**WS02 WINDOW SEALING TUBE - A4M05044**  
 (x1) 19 13/16"x1 9/16"x13/16" (20x40x504)



# STEP 14A - WINDOW FRAME ASSEMBLY

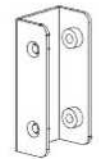
QTY	PART NUMBER	DESCRIPTION
8	H101202	TORX PAN HEAD 1/4-20x3/4 ASSY



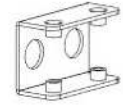
**F06 UPRIGHT - A4M04982**  
(x1) 89 3/16"x2 3/16"x3 1/8" (55x80x2265)



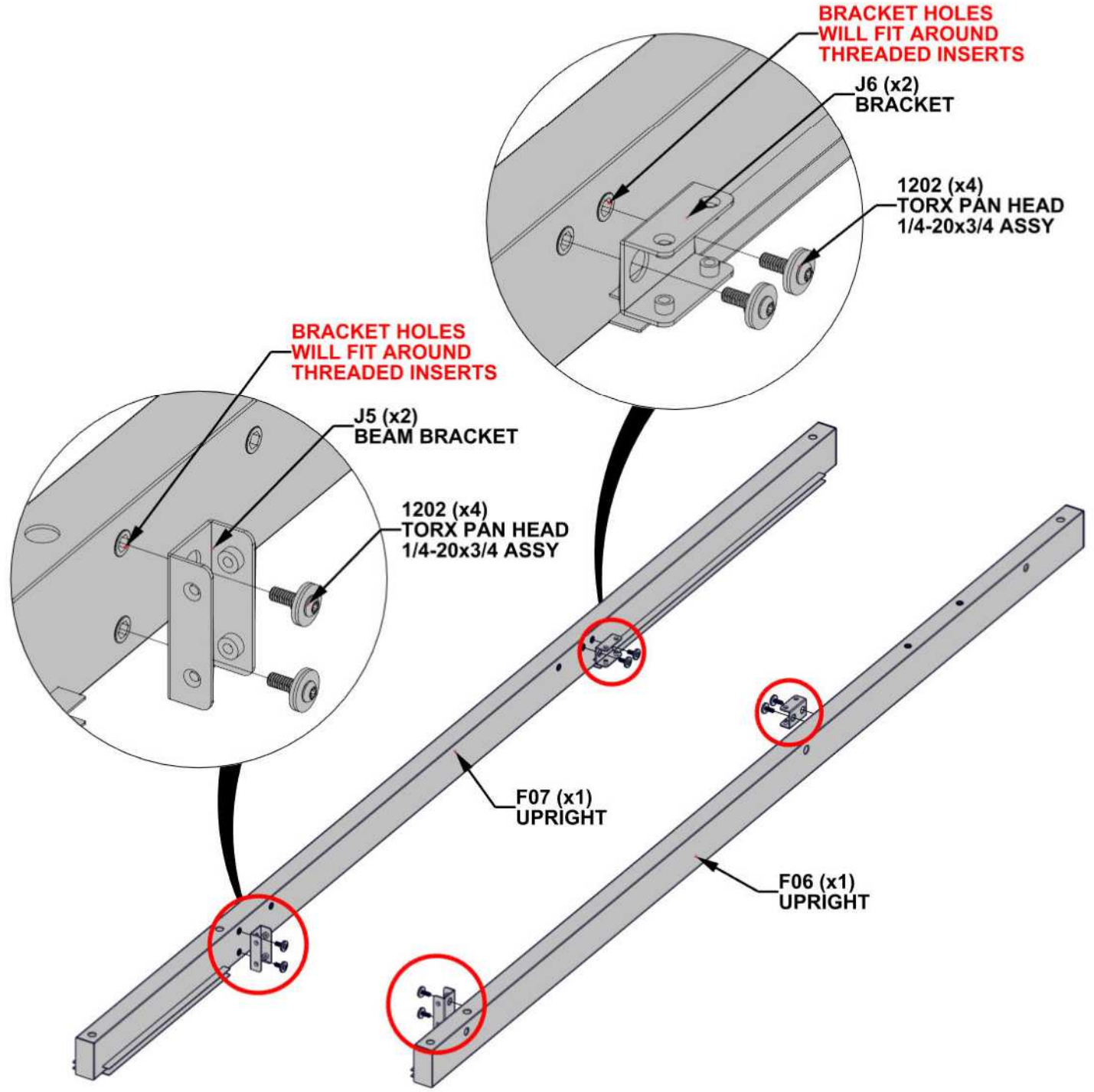
**F07 UPRIGHT - A4M04984**  
(x1) 101 9/16"x3 1/8"x2 3/4" (70x80x2580)



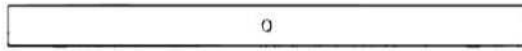
**J5 BEAM BRACKET - A4M04950**  
(x2) 3"x1 7/16"x15/16" (24x37.2x76)



**J6 BRACKET - A4M05037**  
(x2) 2 3/16"x1 7/16"x15/16" (24x37.2x56)



# STEP 14B - WINDOW FRAME ASSEMBLY

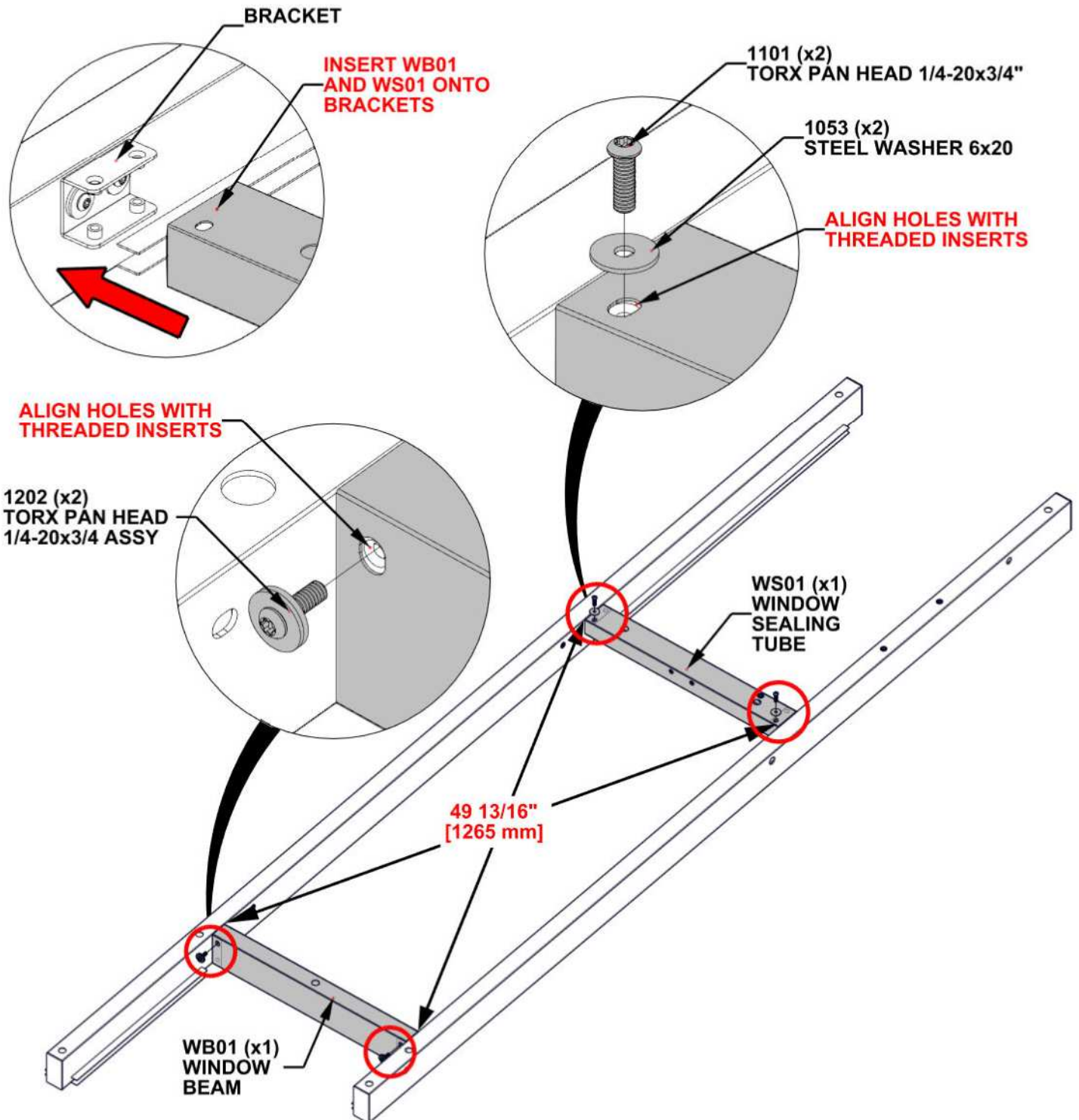


**WB01 WINDOW BEAM - A4M04987**  
(x1) 19 15/16"x3 1/8"x1 9/16" (40x80x506)



**WS01 WINDOW SEALING TUBE - A4M05015**  
(x1) 19 15/16"x2 3/8"x1 9/16" (40x60x506)

QTY	PART NUMBER	DESCRIPTION
2	H101202	TORX PAN HEAD 1/4-20x3/4 ASSY
2	H101101	TORX PAN HEAD 1/4-20x3/4"
2	H101053	STEEL WASHER 6x20



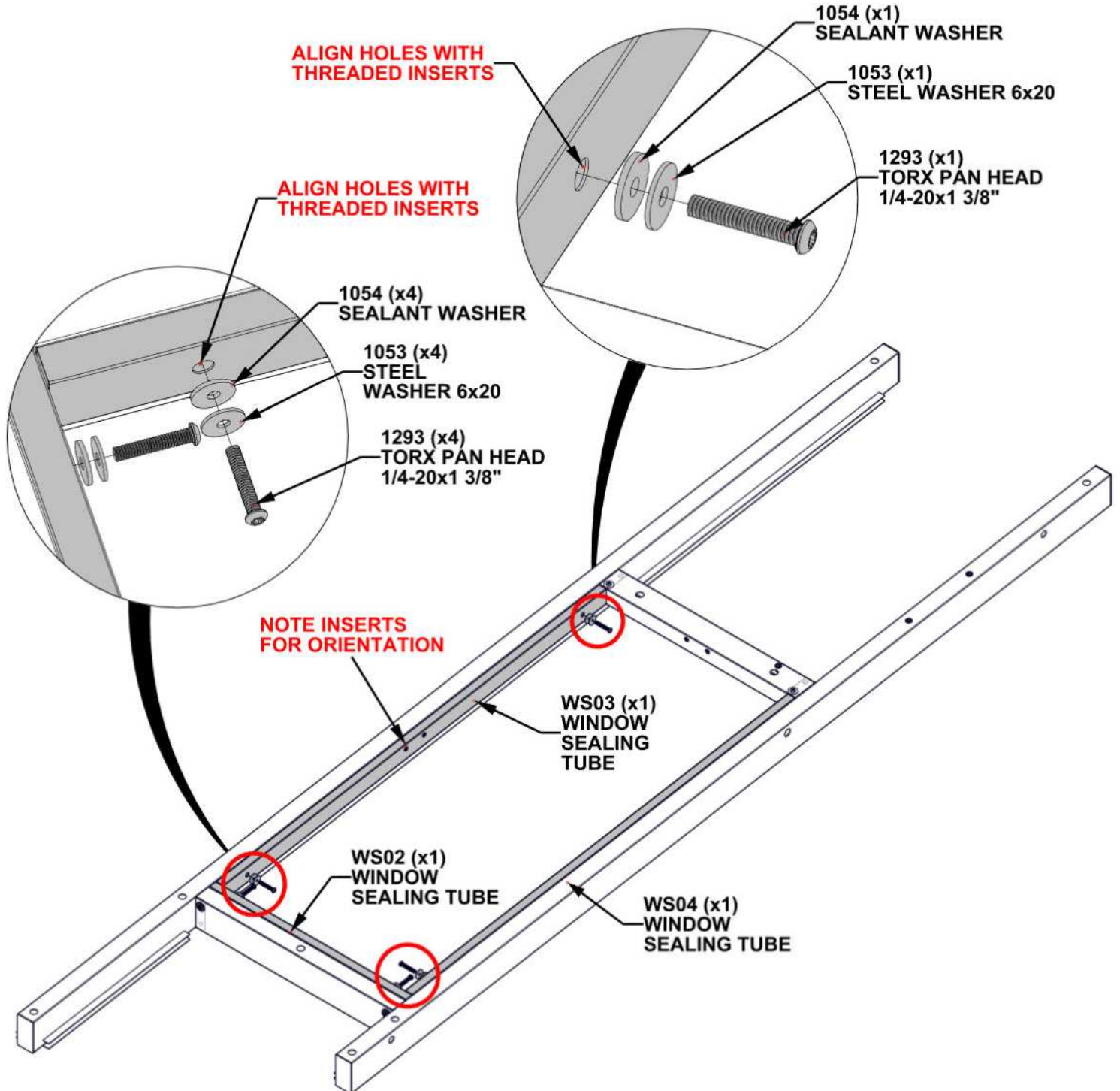
# STEP 14C - WINDOW FRAME ASSEMBLY

QTY	PART NUMBER	DESCRIPTION
5	H101293	TORX PAN HEAD 1/4-20x1 3/8"
5	H101054	SEALANT WASHER
5	H101053	STEEL WASHER 6x20

WS03 WINDOW SEALING TUBE - A4M05572  
(x1) 44 13/16"x1 9/16"x13/16" (20x40x1139)

WS04 WINDOW SEALING TUBE - A4M05045  
(x1) 44 13/16"x1 9/16"x13/16" (20x40x1139)

WS02 WINDOW SEALING TUBE - A4M05044  
(x1) 19 13/16"x1 9/16"x13/16" (20x40x504)

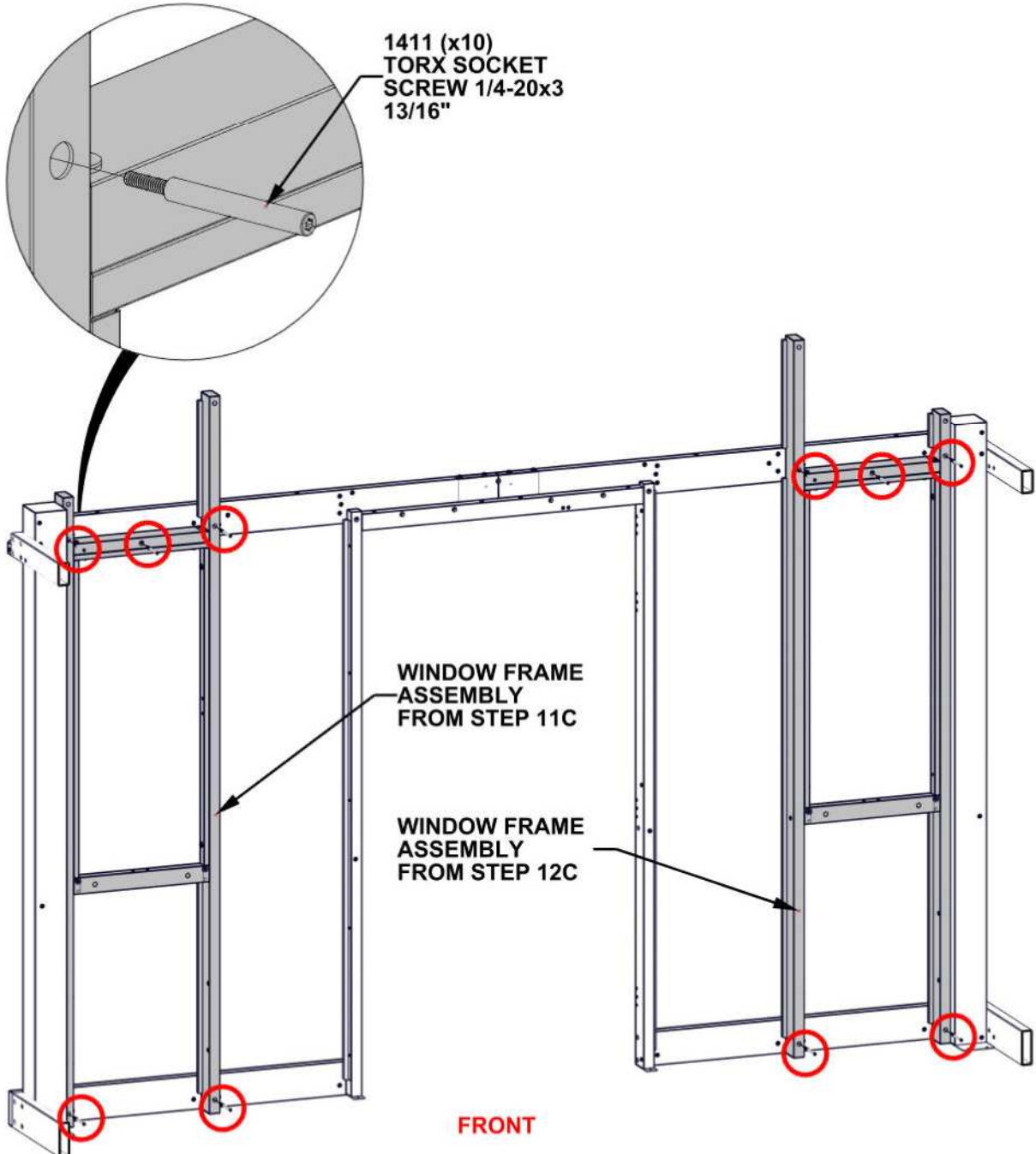


# STEP 15A - FRONT FRAME ASSEMBLY

QTY	PART NUMBER	DESCRIPTION
10	H101411	TORX SOCKET SCREW 1/4-20x3 13/16"

- ALIGN SCREW HOLES AND ATTACH WINDOW FRAMES TO FRONT SIDE.

- **HAND TIGHTEN ONLY.**

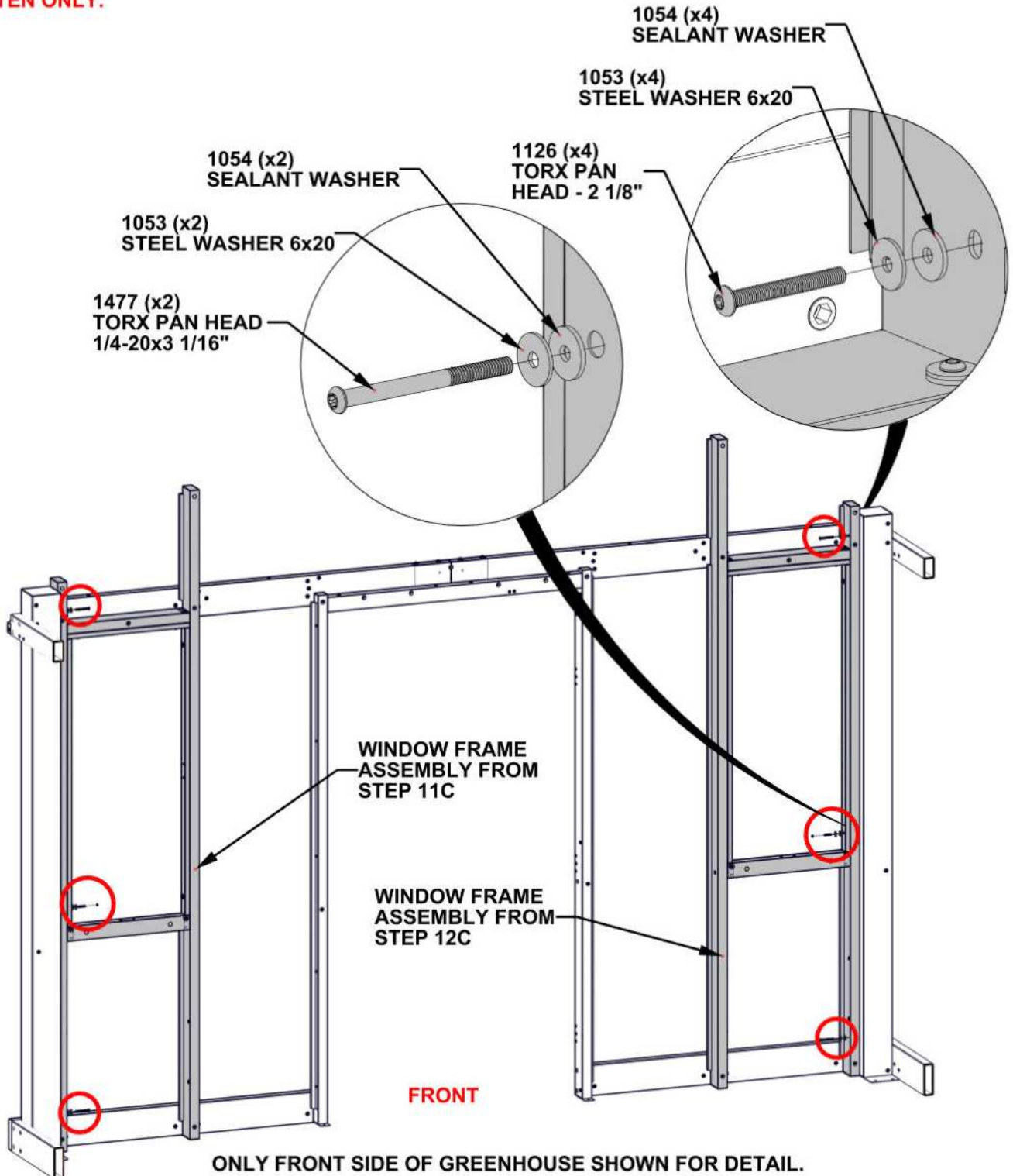


ONLY FRONT SIDE OF GREENHOUSE SHOWN FOR DETAIL.

# STEP 15B - FRONT FRAME ASSEMBLY

QTY	PART NUMBER	DESCRIPTION
2	H101477	TORX PAN HEAD 1/4-20x3 1/16"
4	H101126	TORX PAN HEAD 1/4-20x2 1/8"
6	H101054	SEALANT WASHER
6	H101053	STEEL WASHER 6x20

- ALIGN SCREW HOLES AND ATTACH WINDOW FRAMES TO FRONT SIDE.
- **HAND TIGHTEN ONLY.**

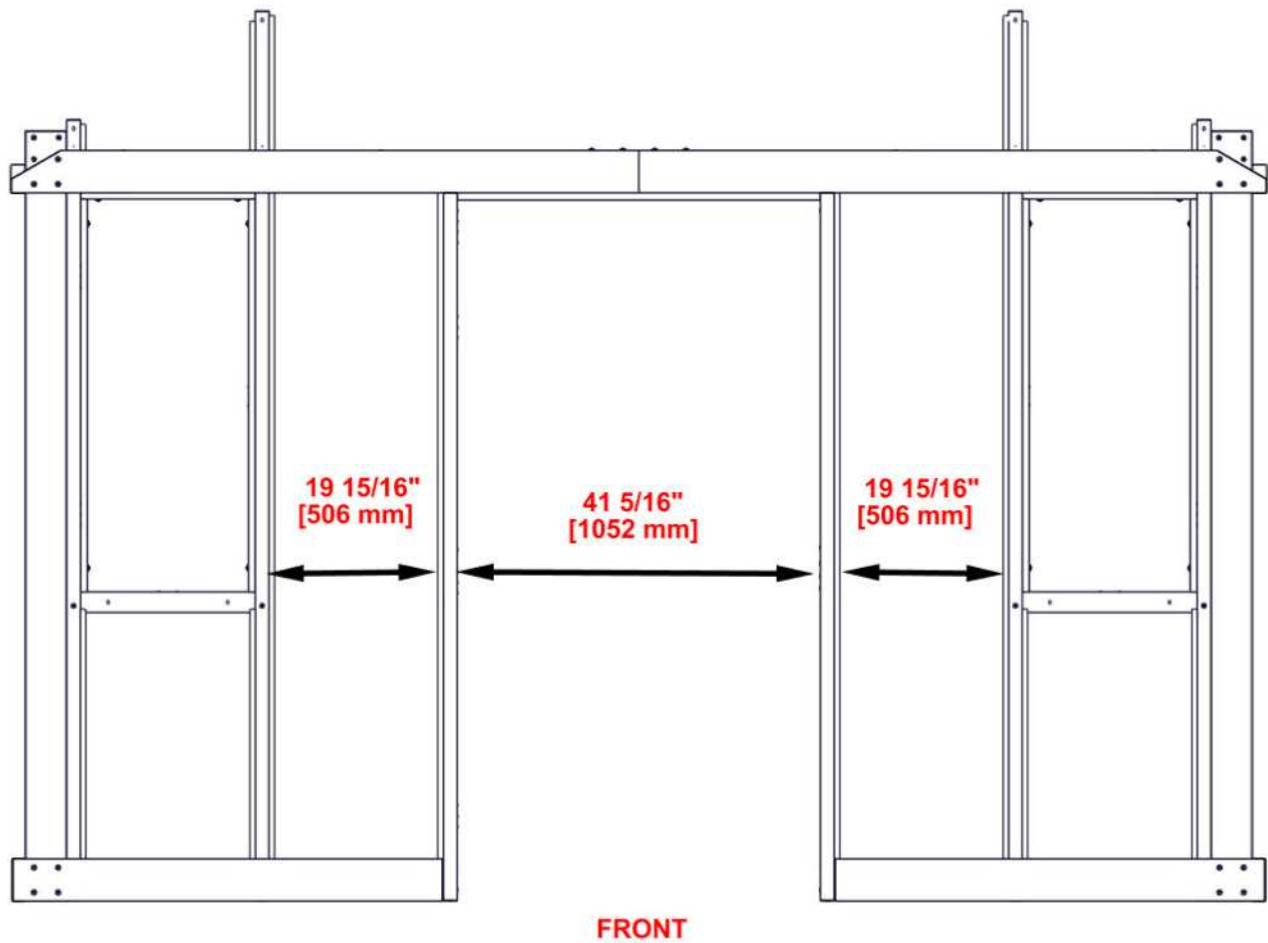


# STEP 15C - FRONT FRAME ASSEMBLY

**IMPORTANT!**

**THE FOLLOWING STEPS ARE CRITICAL:**

- POST AND UPRIGHTS ARE PLUMB (STRAIGHT UP AND DOWN) WITH A LEVEL.
- MEASUREMENTS BETWEEN POST AND UPRIGHTS ARE AS SHOWN +/- 1/8".
- RUNNING AND BASE BOARDS ARE SQUARED TO THE UPRIGHTS.
- ALL HARDWARE ON THIS SIDE IS FULLY TIGHTENED.



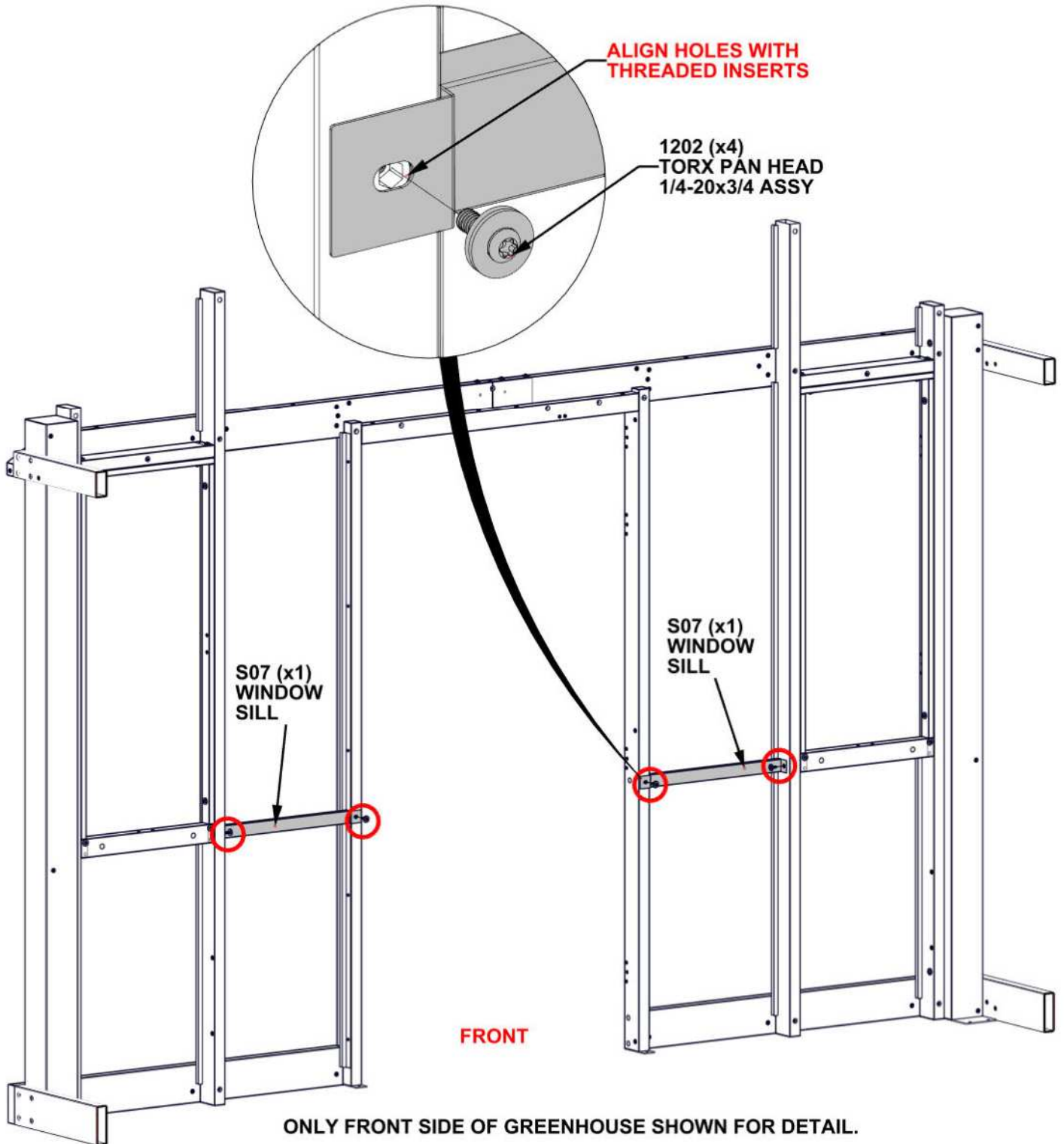
ONLY FRONT SIDE OF GREENHOUSE SHOWN FOR DETAIL.

# STEP 16 - FRONT FRAME ASSEMBLY

QTY	PART NUMBER	DESCRIPTION
4	H101202	TORX PAN HEAD 1/4-20x3/4 ASSY



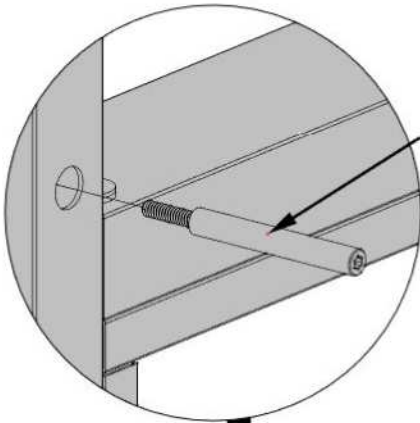
S07 WINDOW SILL - A4M05025  
 (x2) 21 5/16"x1 15/16"x1 9/16" (40x50x541)



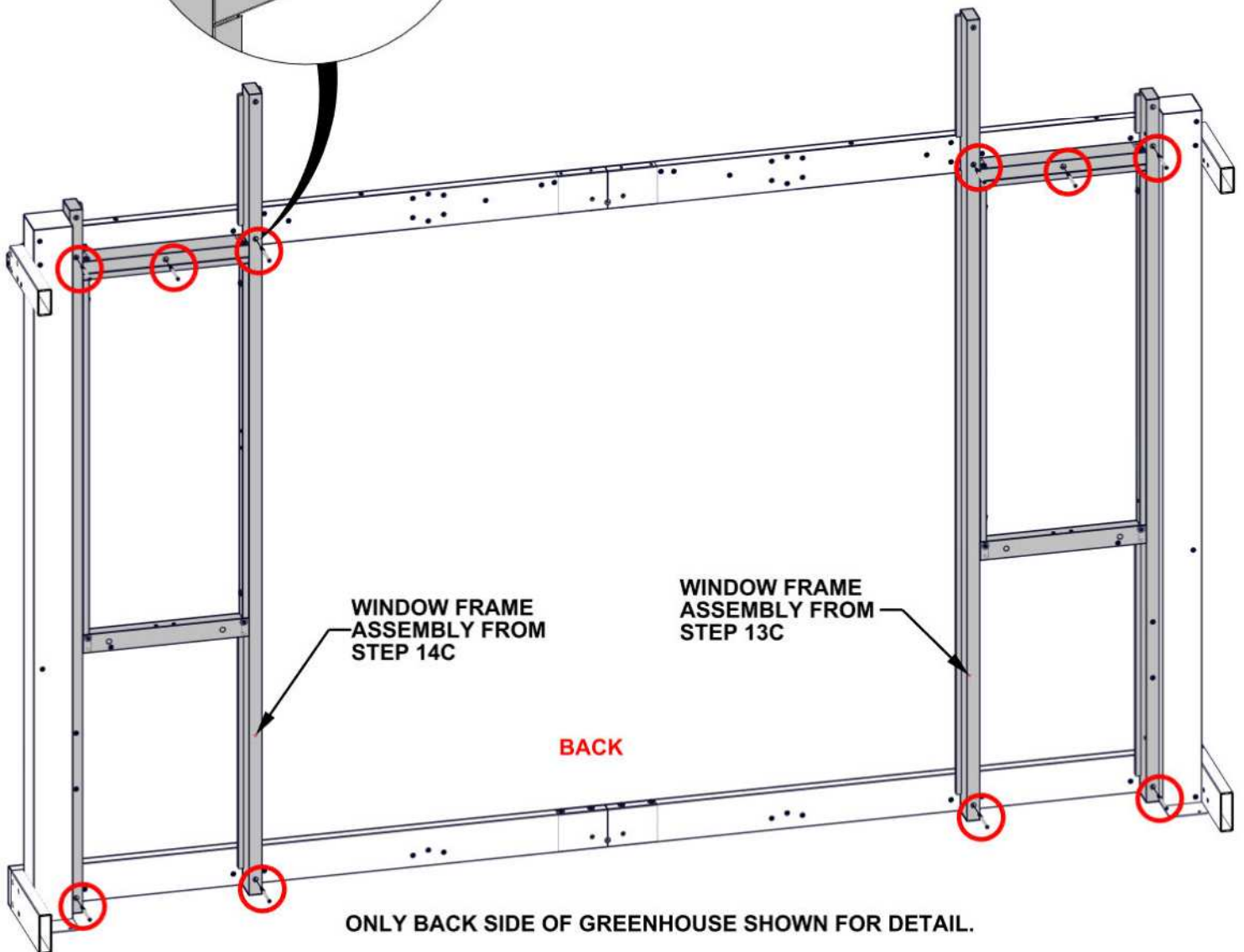
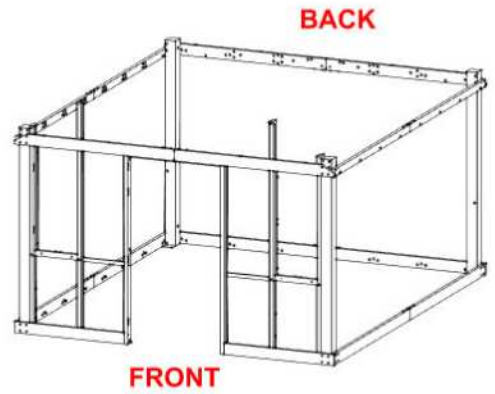
# STEP 17A - BACK FRAME ASSEMBLY

QTY	PART NUMBER	DESCRIPTION
10	H101411	TORX SOCKET SCREW 1/4-20x3 13/16"

- ALIGN SCREW HOLES AND ATTACH WINDOW FRAMES TO BACK SIDE.
- **HAND TIGHTEN ONLY.**



1411 (x10)  
TORX SOCKET  
SCREW 1/4-20x3  
13/16"

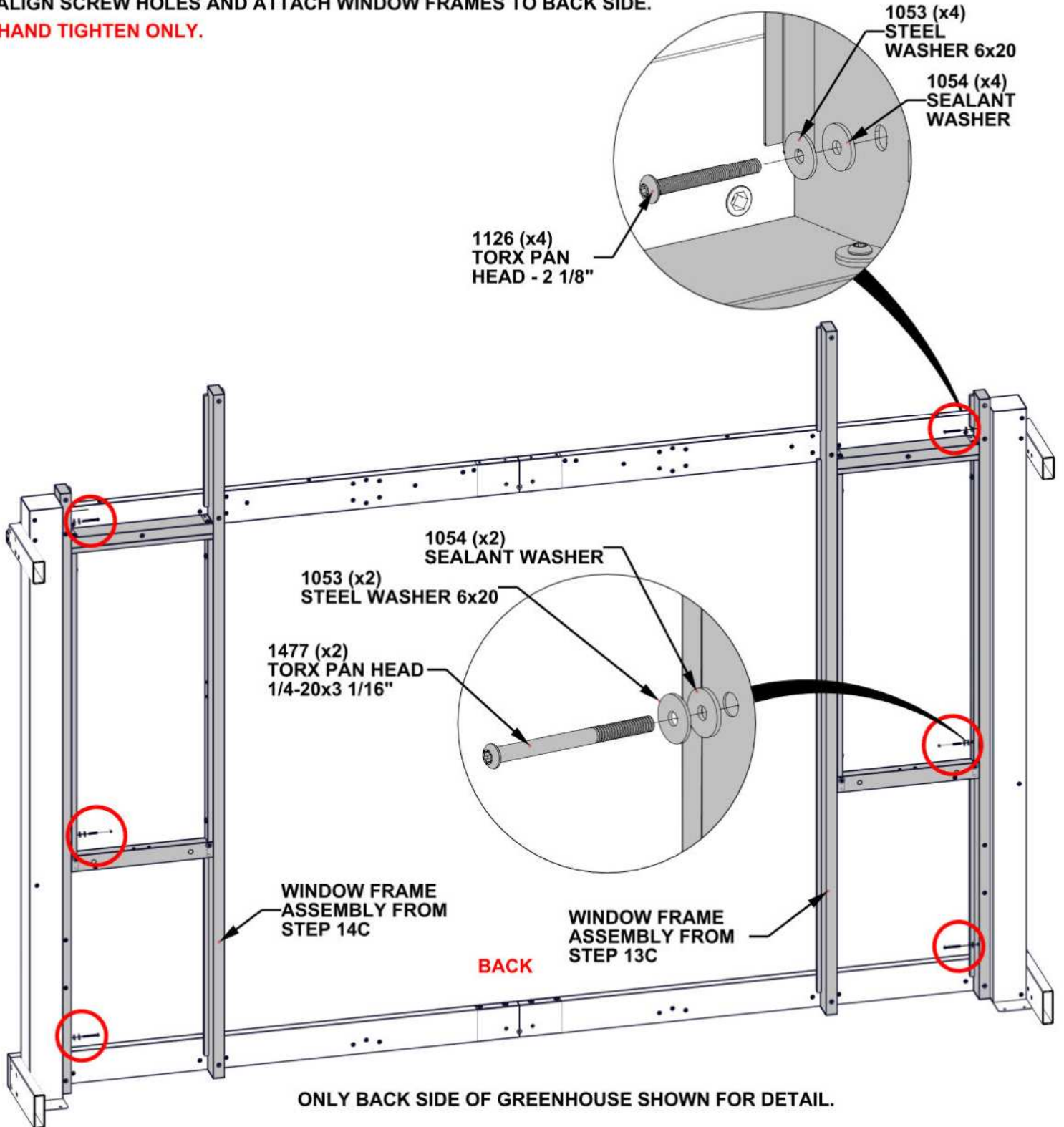


ONLY BACK SIDE OF GREENHOUSE SHOWN FOR DETAIL.

# STEP 17B - BACK FRAME ASSEMBLY

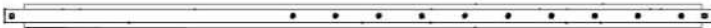
QTY	PART NUMBER	DESCRIPTION
2	H101477	TORX PAN HEAD 1/4-20x3 1/16"
4	H101126	TORX PAN HEAD 1/4-20x2 1/8"
6	H101054	SEALANT WASHER
6	H101053	STEEL WASHER 6x20

- ALIGN SCREW HOLES AND ATTACH WINDOW FRAMES TO BACK SIDE.
- **HAND TIGHTEN ONLY.**



# STEP 18A - BACK FRAME ASSEMBLY

QTY	PART NUMBER	DESCRIPTION
6	H101103	TORX SOCKET SCREW 1/4-20

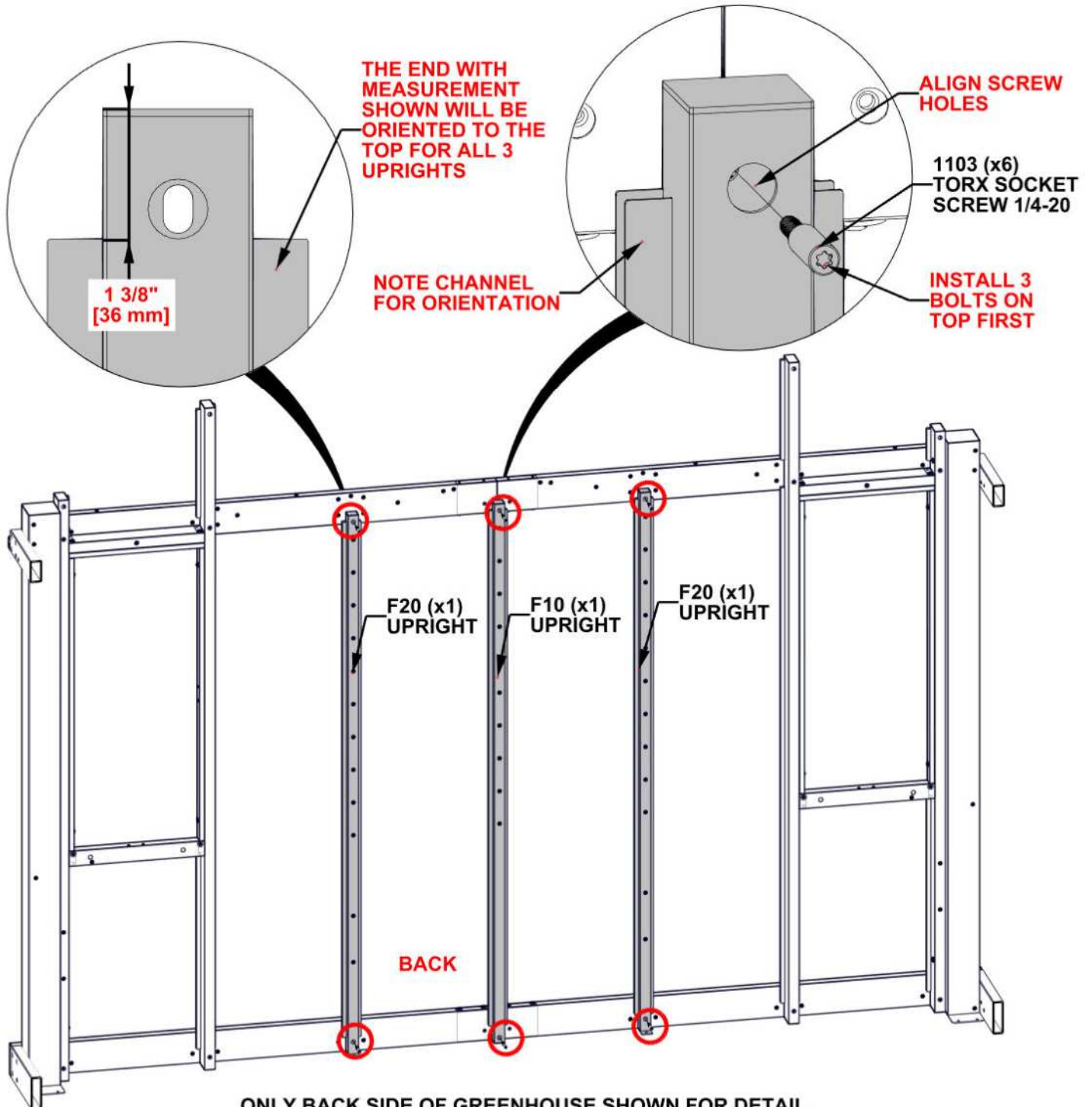


F10 UPRIGHT - A4M05420  
(x1) 82 3/4"x2 3/4"x1 9/16" (40x70x2102)



F20 UPRIGHT - A4M05419  
(x2) 82 3/4"x2 3/4"x2 3/4" (70x70x2102)

**- HAND TIGHTEN ONLY.**

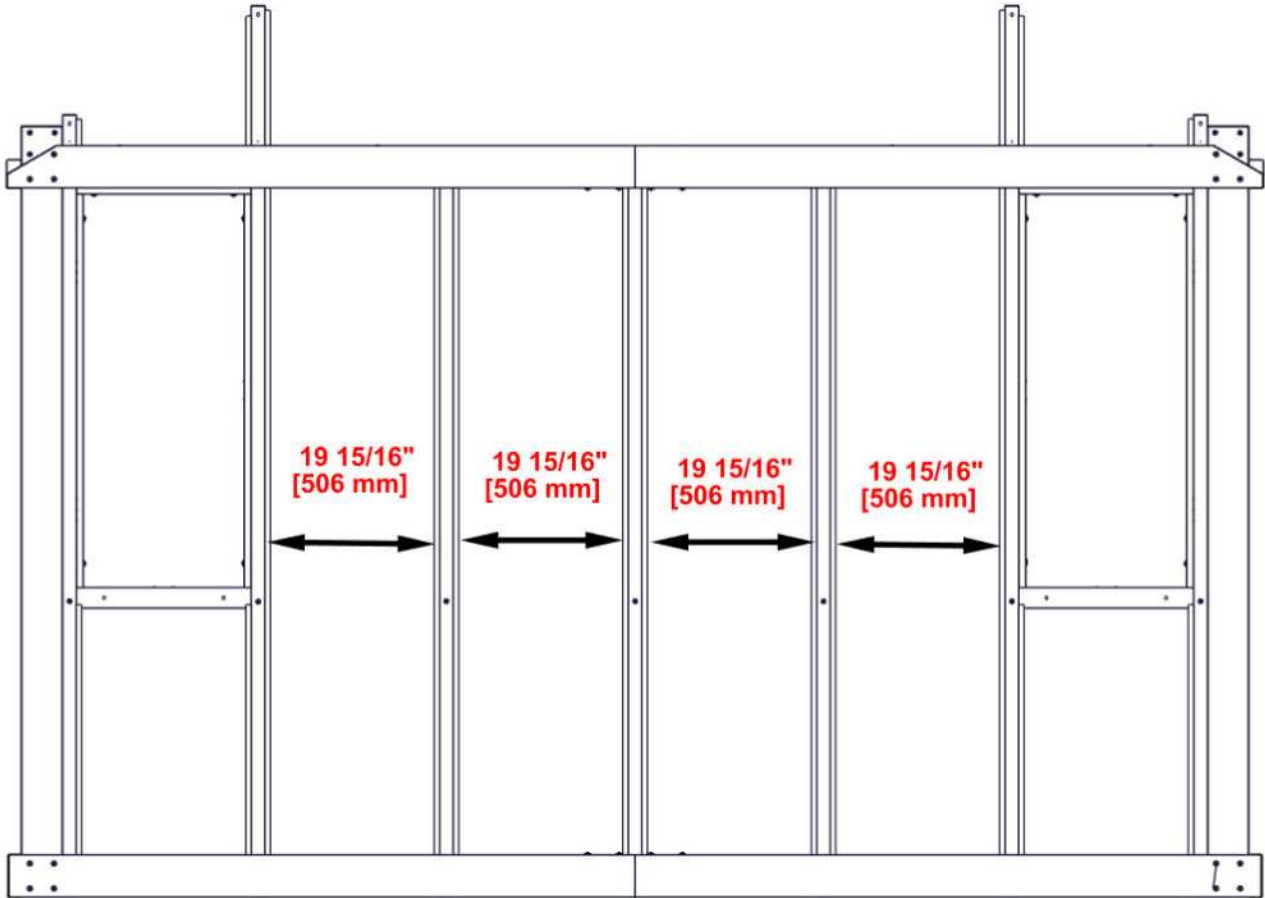


# STEP 18B - BACK FRAME ASSEMBLY

**IMPORTANT!**

**THE FOLLOWING STEPS ARE CRITICAL:**

- POST AND UPRIGHTS ARE PLUMB (STRAIGHT UP AND DOWN) WITH A LEVEL.
- MEASUREMENTS BETWEEN POST AND UPRIGHTS ARE AS SHOWN +/- 1/8".
- RUNNING AND BASE BOARDS ARE SQUARED TO THE UPRIGHTS.
- ALL HARDWARE ON THIS SIDE IS FULLY TIGHTENED.



**BACK**

**ONLY BACK SIDE OF GREENHOUSE SHOWN FOR DETAIL.**

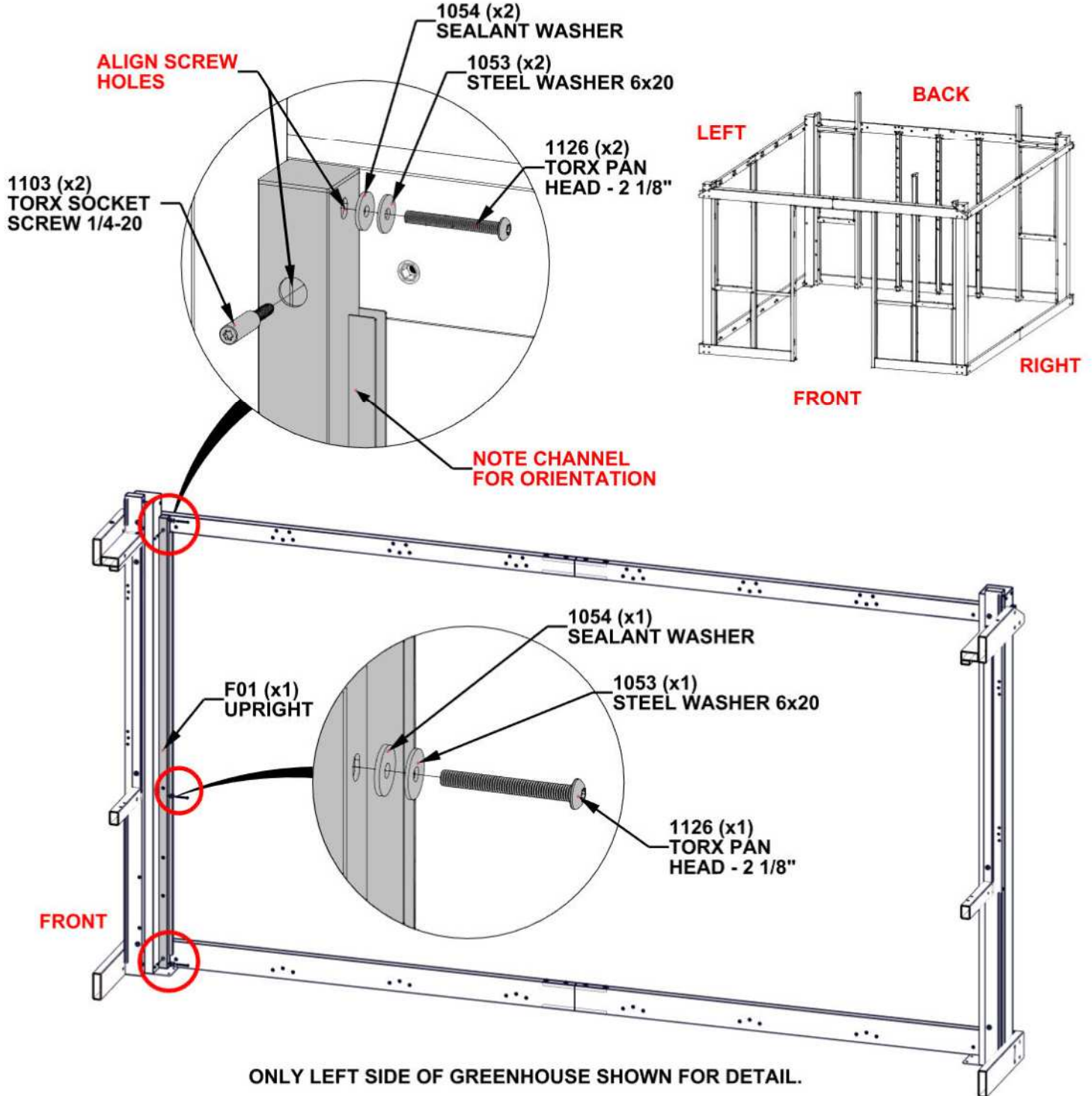
# STEP 19A - LEFT FRAME ASSEMBLY

QTY	PART NUMBER	DESCRIPTION
3	H101126	TORX PAN HEAD 1/4-20x2 1/8"
2	H101103	TORX SOCKET SCREW 1/4-20
3	H101054	SEALANT WASHER
3	H101053	STEEL WASHER 6x20



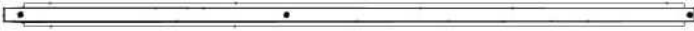
F01 UPRIGHT - A4M04964  
 (x1) 83 7/8"x2 1/6"x1 9/16" (40x55.00x2130)

**- HAND TIGHTEN ONLY.**



# STEP 19B - LEFT FRAME ASSEMBLY

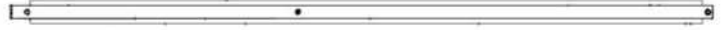
QTY	PART NUMBER	DESCRIPTION
6	H101103	TORX SOCKET SCREW 1/4-20



F02 UPRIGHT - A4M04965  
(x1) 82 5/16"x2 3/4"x1 9/16" (40x70.00x2090)

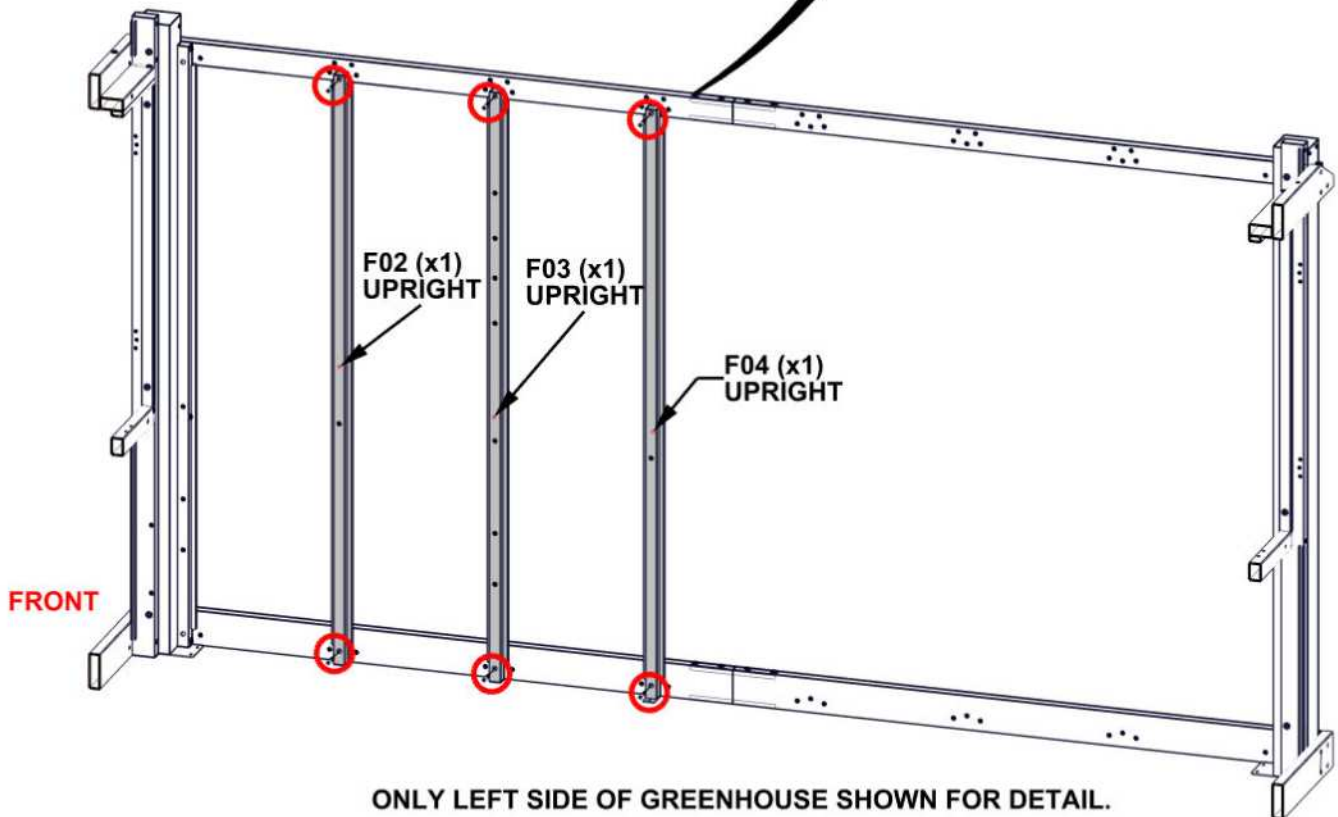
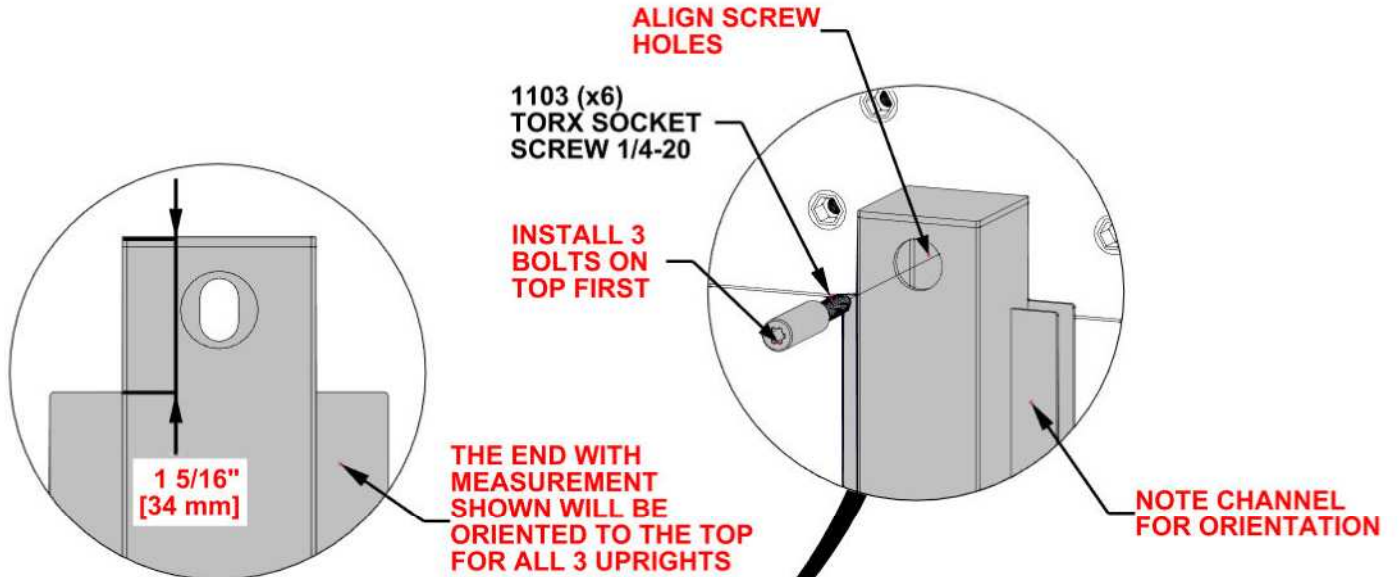


F03 UPRIGHT - A4M05416  
(x1) 82 5/16"x2 3/4"x1 9/16" (40x70.00x2090)



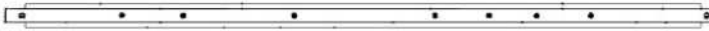
F04 UPRIGHT - A4M05417  
(x1) 82 5/16"x2 3/4"x2 3/4" (70x70x2090)

**- HAND TIGHTEN ONLY.**

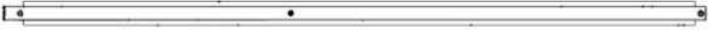


# STEP 19C - LEFT FRAME ASSEMBLY

QTY	PART NUMBER	DESCRIPTION
6	H101103	TORX SOCKET SCREW 1/4-20

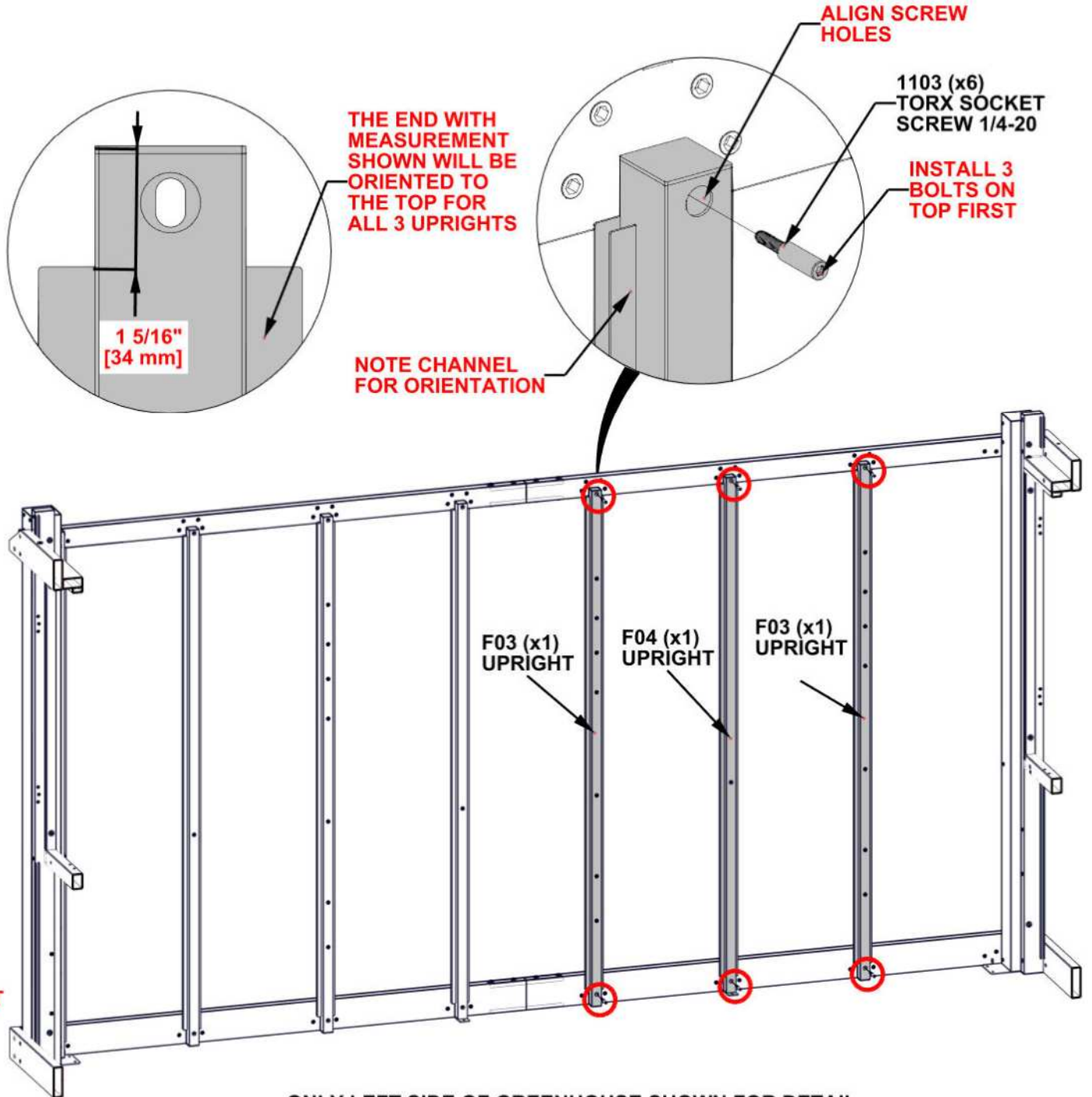


F03 UPRIGHT - A4M05416  
(x2) 82 5/16"x2 3/4"x1 9/16" (40x70.00x2090)



F04 UPRIGHT - A4M05417  
(x1) 82 5/16"x2 3/4"x2 3/4" (70x70x2090)

**- HAND TIGHTEN ONLY.**



**ONLY LEFT SIDE OF GREENHOUSE SHOWN FOR DETAIL.**

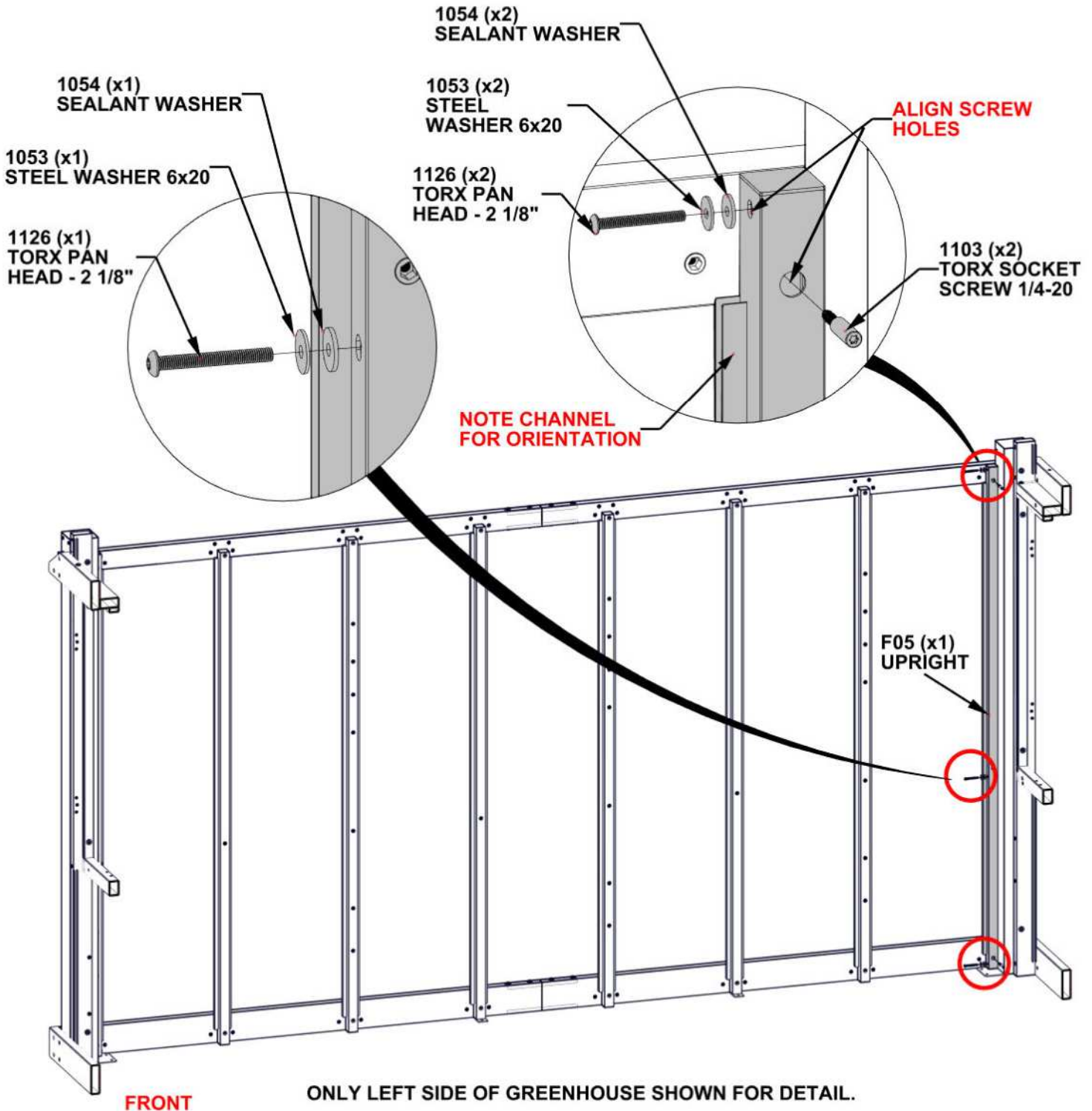
# STEP 19D - LEFT FRAME ASSEMBLY

QTY	PART NUMBER	DESCRIPTION
3	H101126	TORX PAN HEAD 1/4-20x2 1/8"
2	H101103	TORX SOCKET SCREW 1/4-20
3	H101054	SEALANT WASHER
3	H101053	STEEL WASHER 6x20



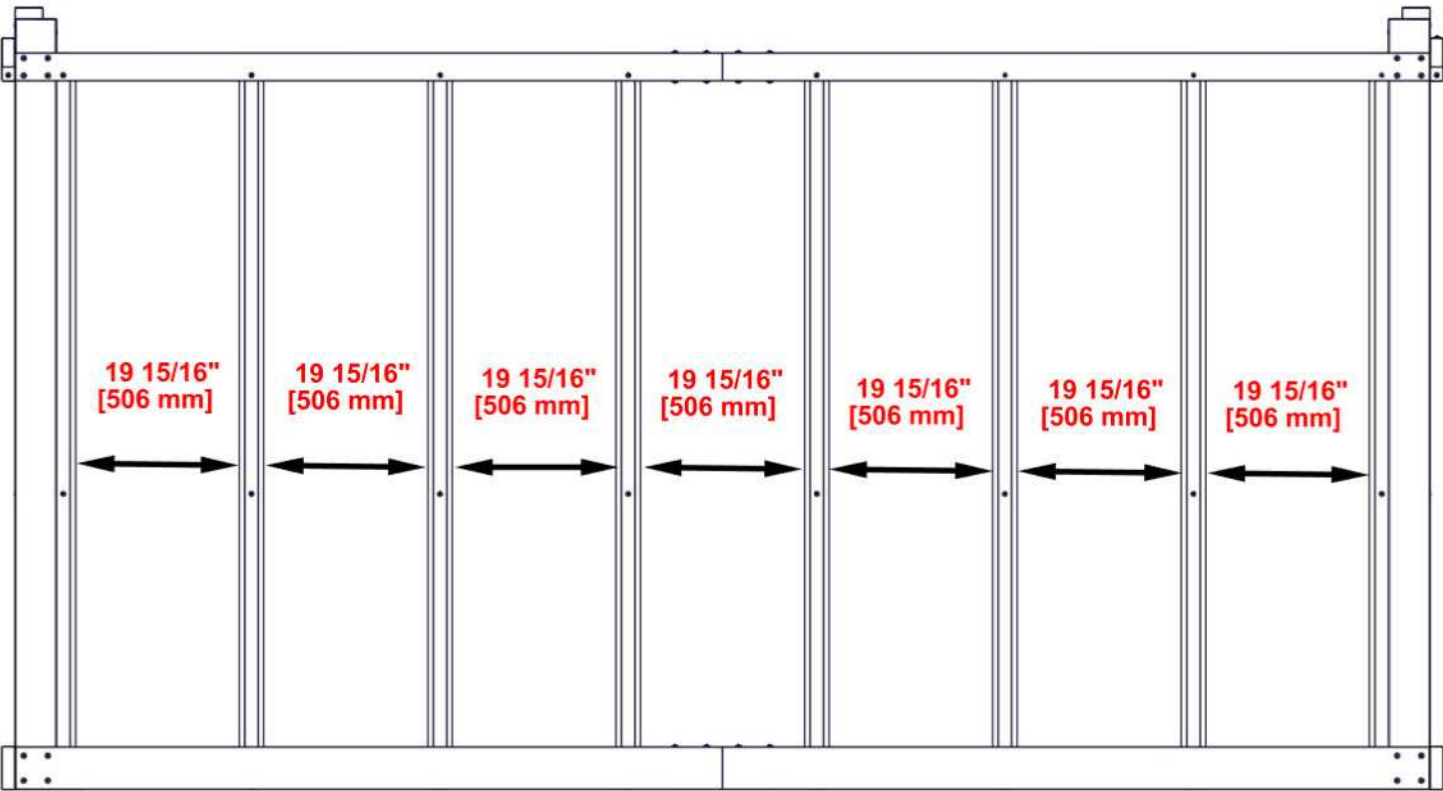
F05 UPRIGHT - A4M04976  
(x1) 83 7/8"x2 3/16"x1 9/16" (40x55x2130)

**- HAND TIGHTEN ONLY.**



# STEP 19E - LEFT FRAME ASSEMBLY

- IMPORTANT!**  
THE FOLLOWING STEPS ARE CRITICAL:
- POST AND UPRIGHTS ARE PLUMB (STRAIGHT UP AND DOWN) WITH A LEVEL.
  - MEASUREMENTS BETWEEN POST AND UPRIGHTS ARE AS SHOWN +/- 1/8".
  - RUNNING AND BASE BOARDS ARE SQUARED TO THE UPRIGHTS.
  - ALL HARDWARE ON THIS SIDE IS FULLY TIGHTENED.



**LEFT**

**ONLY LEFT SIDE OF GREENHOUSE SHOWN FOR DETAIL.**

# STEP 20 - LEFT FRAME ASSEMBLY

QTY	PART NUMBER	DESCRIPTION
8	H101410	TORX SOCKET SCREW 1/4-20x2 1/2"

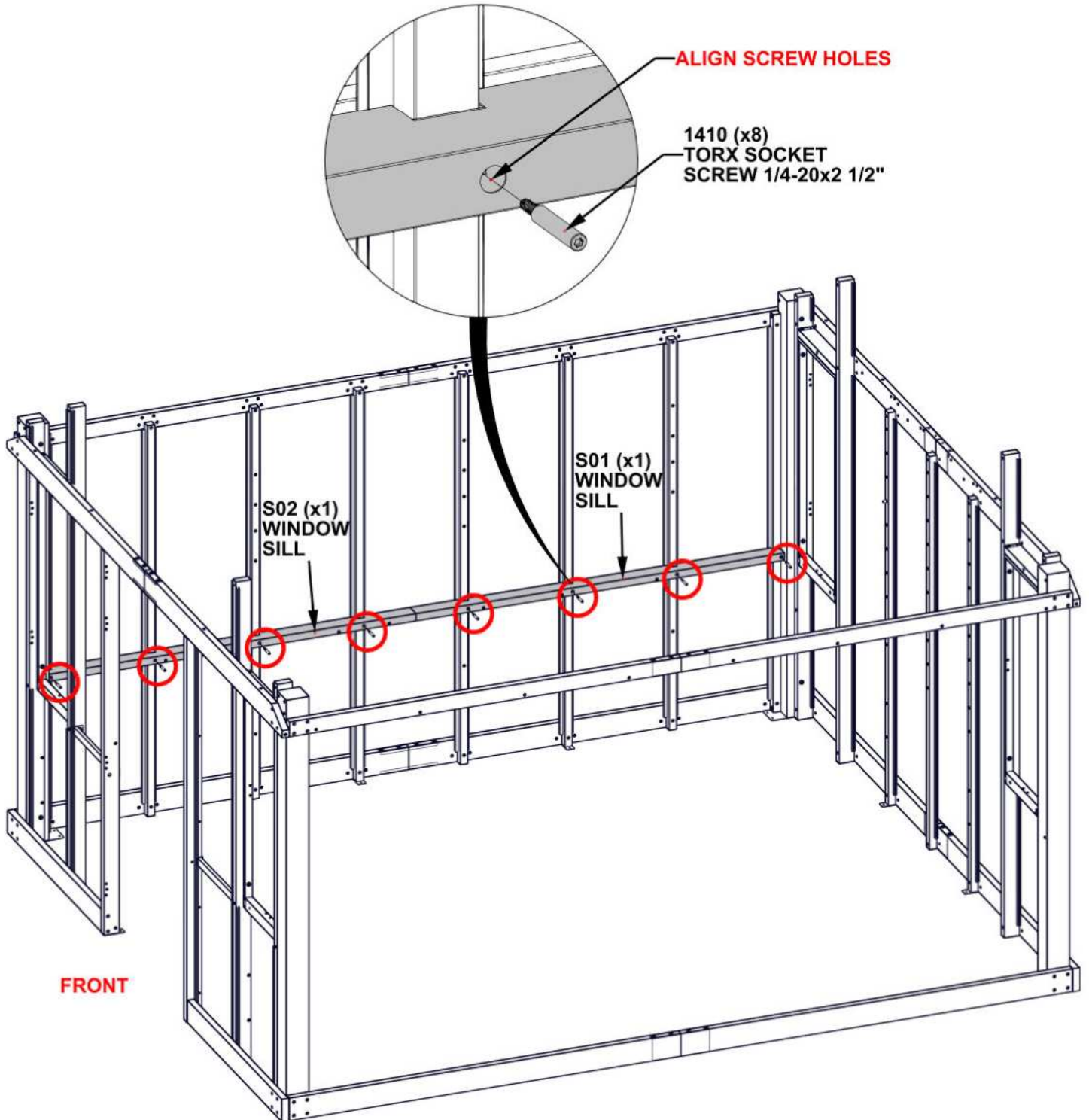


S01 WINDOW SILL - A4M04971  
(x1) 75 15/16"x3 1/8"x1 9/16" (40x80x1929)



S02 WINDOW SILL - A4M04973  
(x1) 75 15/16"x3 1/8"x1 9/16" (40x80x1929)

- PUT WINDOW SILL ONTO UPRIGHTS AND ATTACH SCREWS.
- UPRIGHTS MAY NEED LOOSENED IF NOTCHES IN WINDOW SILLS DO NOT LINE UP WITH UPRIGHTS.

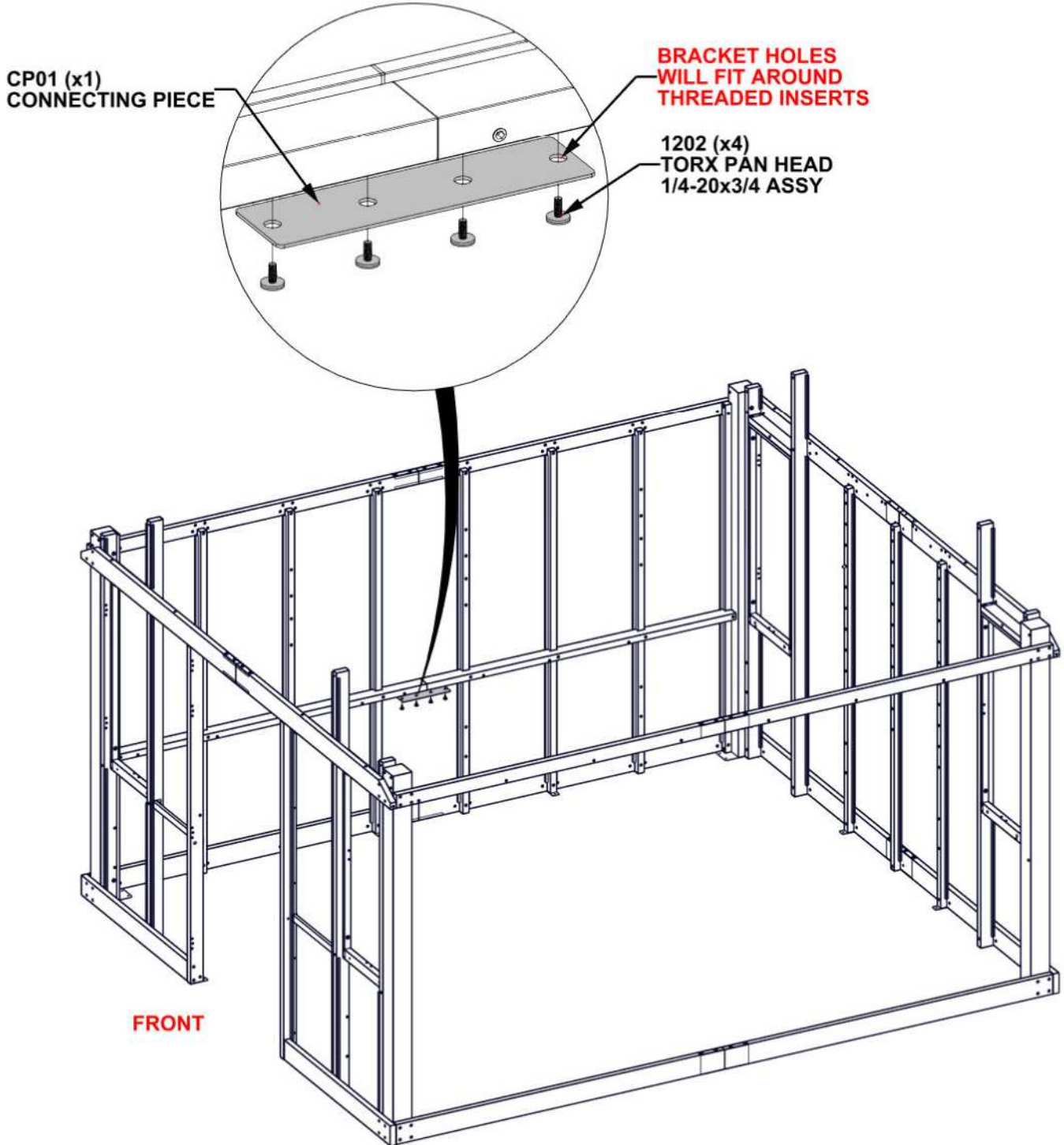


# STEP 21 - LEFT FRAME ASSEMBLY

QTY	PART NUMBER	DESCRIPTION
4	H101202	TORX PAN HEAD 1/4-20x3/4 ASSY



CP01 CONNECTING PIECE - A4M04972  
(x1) 11 13/16"x3 1/8"5x1/8" (3x80x300)

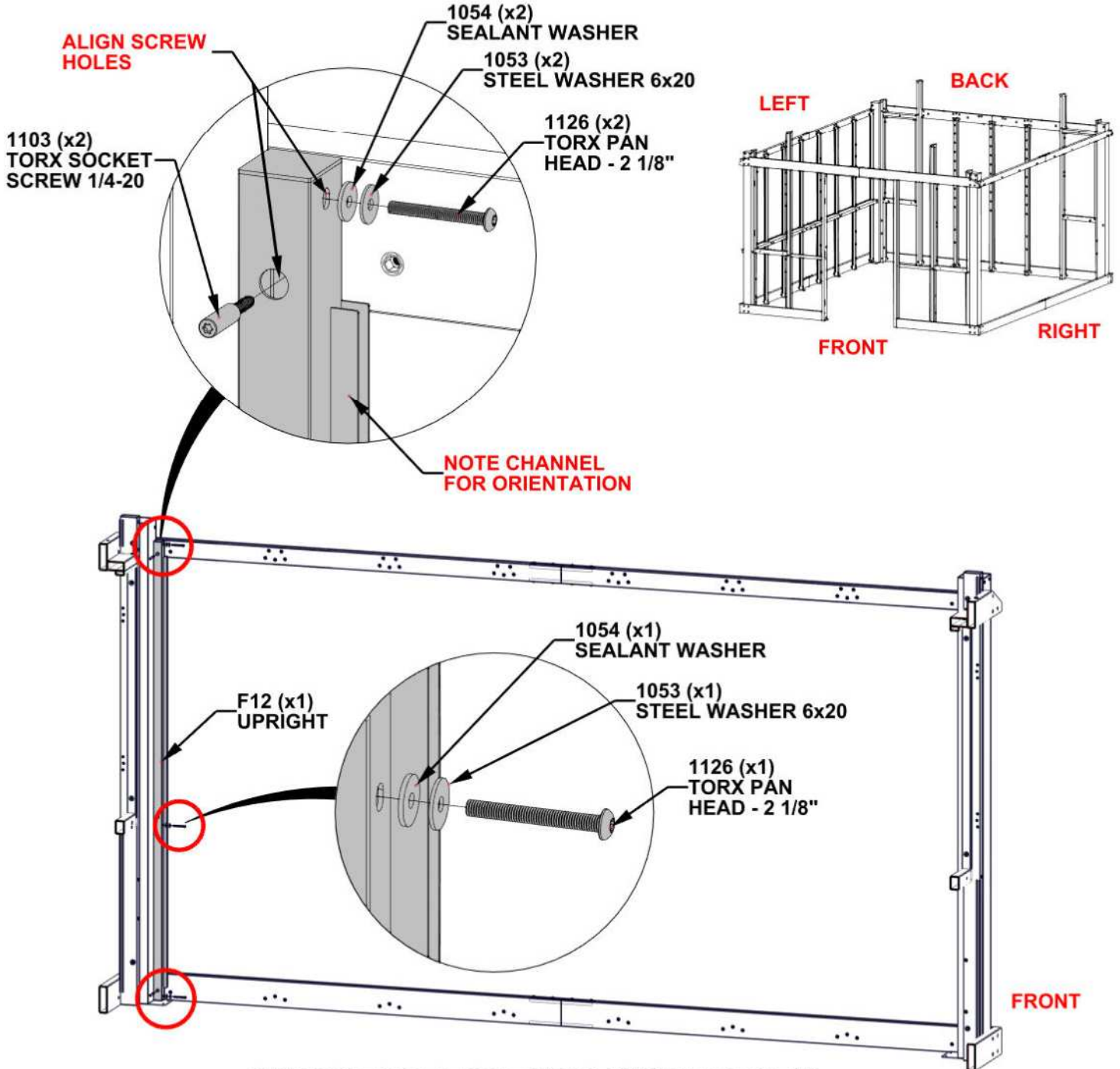


# STEP 22A - RIGHT FRAME ASSEMBLY

QTY	PART NUMBER	DESCRIPTION
3	H101126	TORX PAN HEAD 1/4-20x2 1/8"
2	H101103	TORX SOCKET SCREW 1/4-20
3	H101054	SEALANT WASHER
3	H101053	STEEL WASHER 6x20

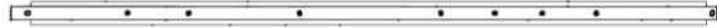


F12 UPRIGHT - A4M04991  
 (x1) 83 7/8"x2 3/16"x1 9/16" (40x55.00x2130)



# STEP 22B - RIGHT FRAME ASSEMBLY

QTY	PART NUMBER	DESCRIPTION
6	H101103	TORX SOCKET SCREW 1/4-20

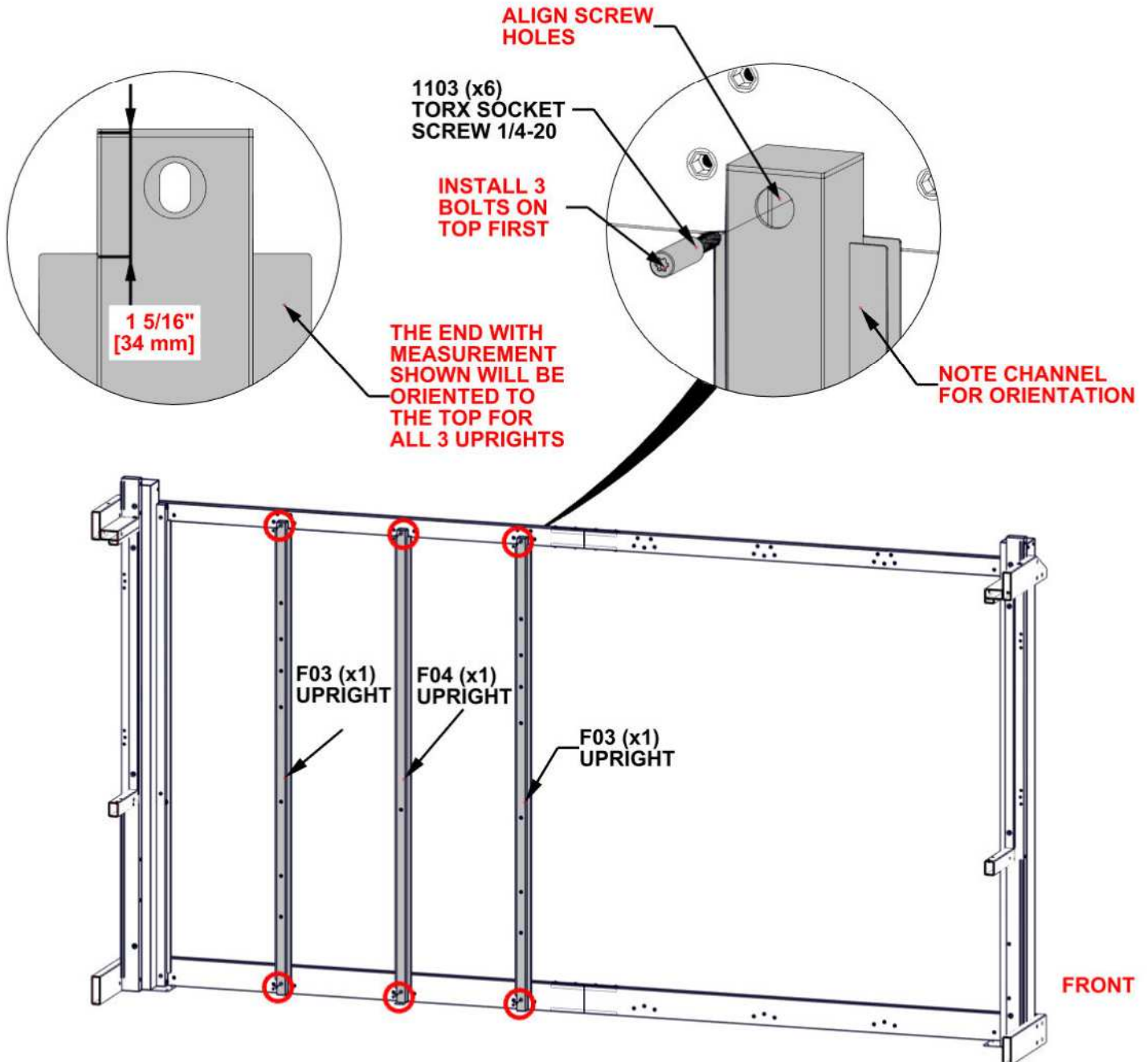


F03 UPRIGHT - A4M05416  
(x2) 82 5/16"x2 3/4"x1 9/16" (40x70.00x2090)



F04 UPRIGHT - A4M05417  
(x1) 82 5/16"x2 3/4"x2 3/4" (70x70x2090)

**- HAND TIGHTEN ONLY.**



ONLY RIGHT SIDE OF GREENHOUSE SHOWN FOR DETAIL.

# STEP 23A - RIGHT FRAME ASSEMBLY

QTY	PART NUMBER	DESCRIPTION
6	H101103	TORX SOCKET SCREW 1/4-20



**F03 UPRIGHT - A4M05416**  
(x1) 82 5/16"x2 3/4"x1 9/16" (40x70.00x2090)

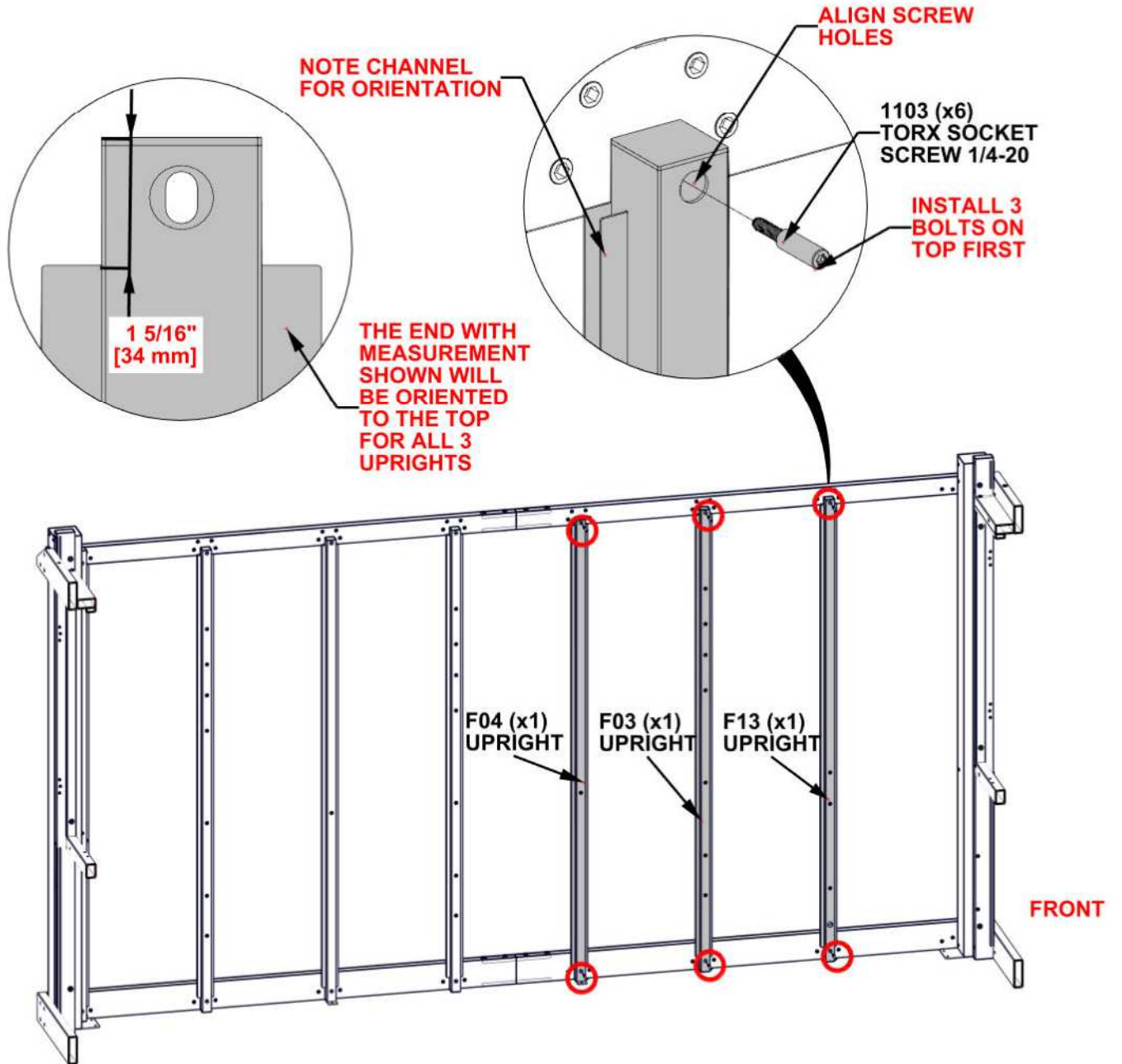


**F04 UPRIGHT - A4M05417**  
(x1) 82 5/16"x2 3/4"x2 3/4" (70x70x2090)



**F13 UPRIGHT - A4M05038**  
(x1) 82 5/16"x2 3/4"x1 9/16" (40x70x2103)

**- HAND TIGHTEN ONLY.**



**ONLY RIGHT SIDE OF GREENHOUSE SHOWN FOR DETAIL.**

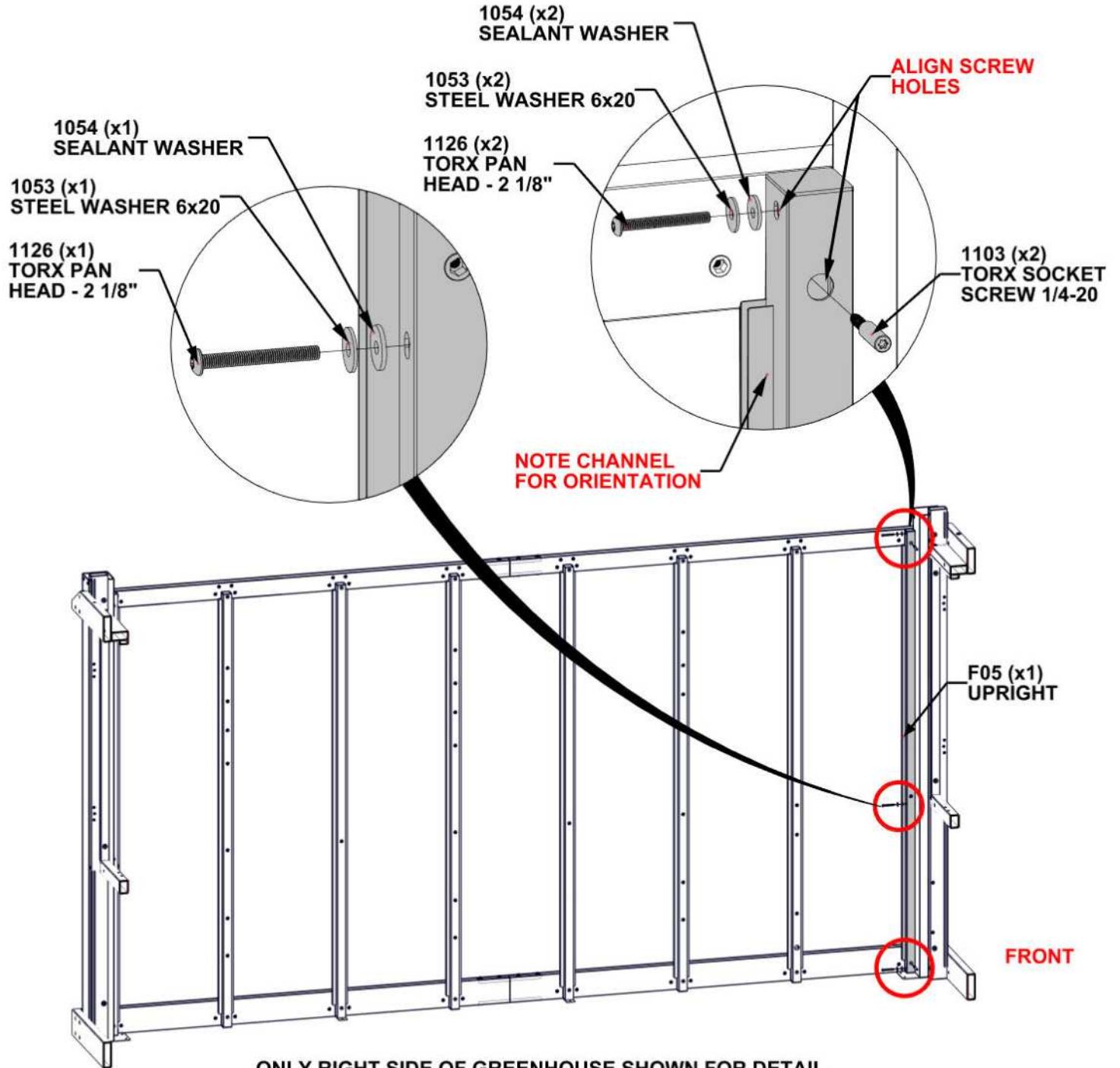
# STEP 23B - RIGHT FRAME ASSEMBLY

QTY	PART NUMBER	DESCRIPTION
3	H101126	TORX PAN HEAD 1/4-20x2 1/8"
2	H101103	TORX SOCKET SCREW 1/4-20
3	H101054	SEALANT WASHER
3	H101053	STEEL WASHER 6x20



F05 UPRIGHT - A4M04976  
(x1) 83 7/8"x2 3/16"x1 9/16" (40x55x2130)

**- HAND TIGHTEN ONLY.**

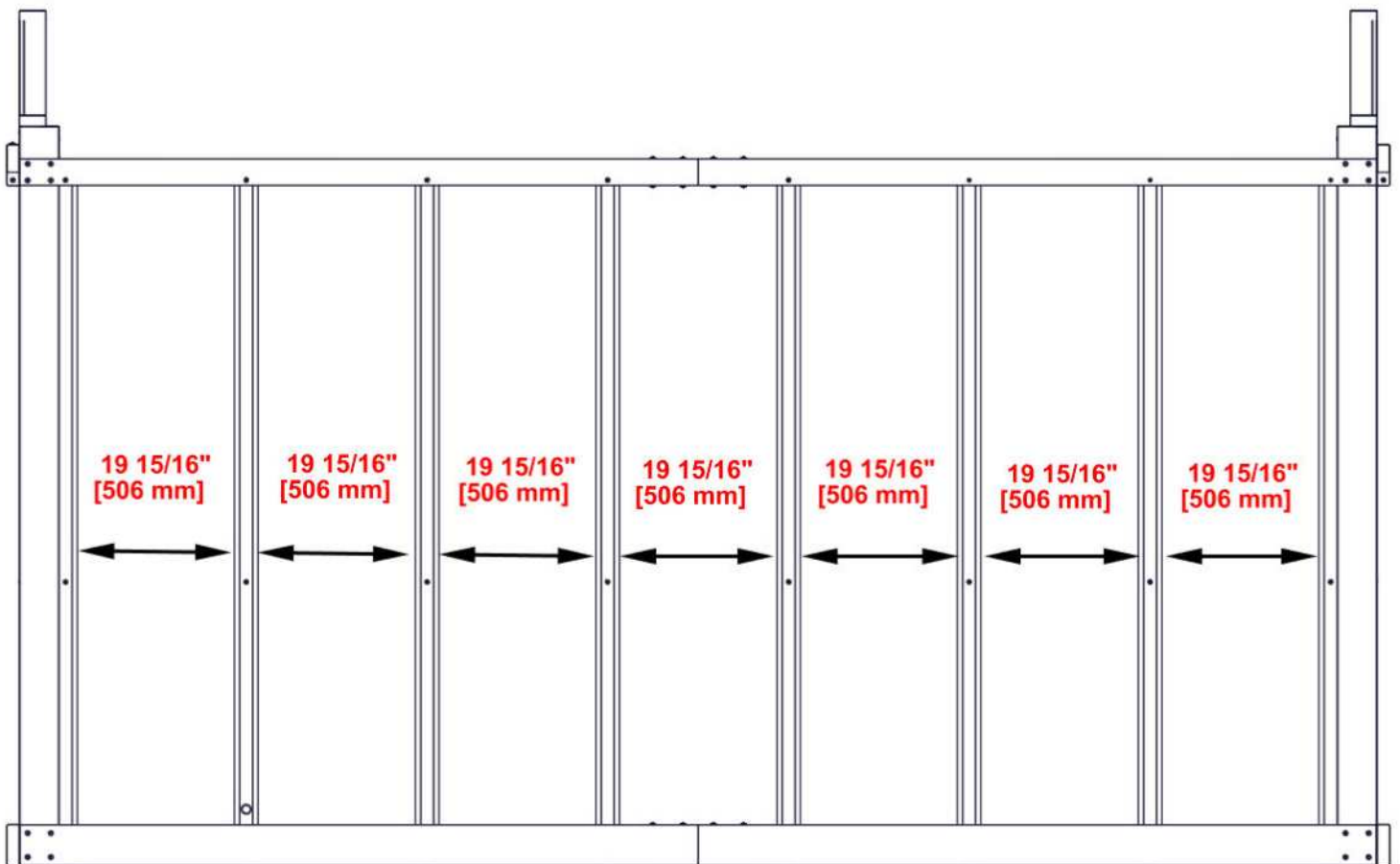


# STEP 24 - RIGHT FRAME ASSEMBLY

## IMPORTANT!

THE FOLLOWING STEPS ARE CRITICAL:

- POST AND UPRIGHTS ARE PLUMB (STRAIGHT UP AND DOWN) WITH A LEVEL.
- MEASUREMENTS BETWEEN POST AND UPRIGHTS ARE AS SHOWN +/- 1/8".
- RUNNING AND BASE BOARDS ARE SQUARED TO THE UPRIGHTS.
- ALL HARDWARE ON THIS SIDE IS FULLY TIGHTENED.

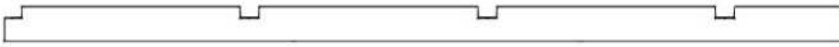


RIGHT

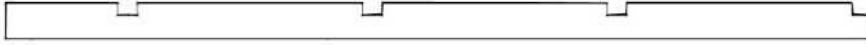
ONLY RIGHT SIDE OF GREENHOUSE SHOWN FOR DETAIL.

# STEP 25 - RIGHT FRAME ASSEMBLY

QTY	PART NUMBER	DESCRIPTION
8	H101410	TORX SOCKET SCREW 1/4-20x2 1/2"

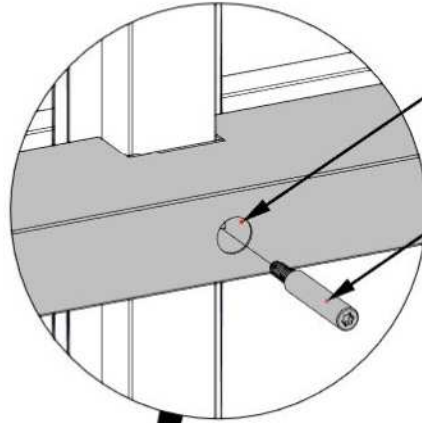


S04 WINDOW SILL - A4M05562  
(x1) 75 15/16"x3 1/8"x1 9/16" (40x80x1929)



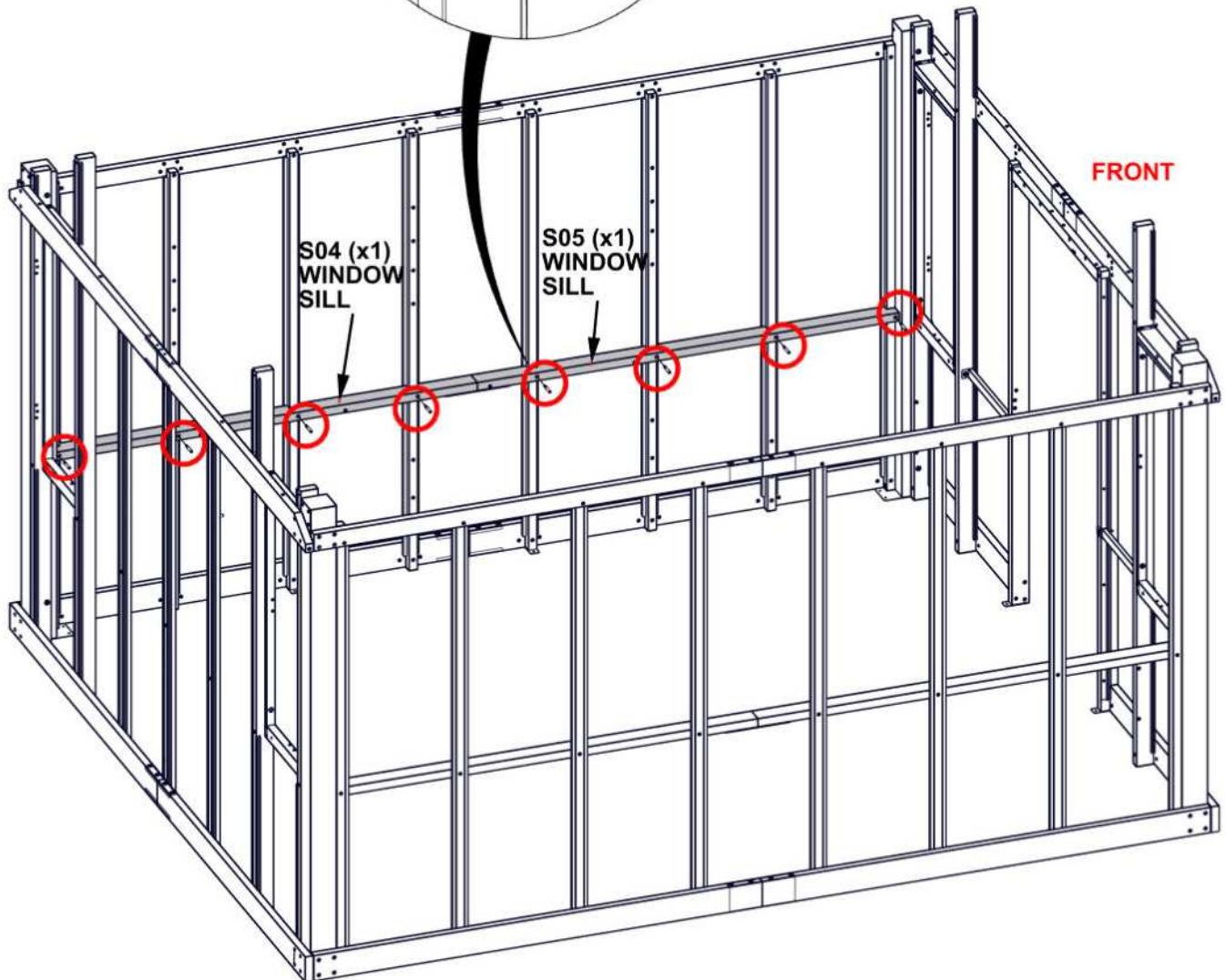
S05 WINDOW SILL - A4M05563  
(x1) 75 15/16"x3 1/8"x1 9/16" (40x80x1929)

- PUT WINDOW SILL ONTO UPRIGHTS AND ATTACH SCREWS.
- UPRIGHTS MAY NEED LOOSENED IF NOTCHES IN WINDOW SILLS DO NOT LINE UP WITH UPRIGHTS.



ALIGN SCREW HOLES

1410 (x8)  
TORX SOCKET  
SCREW 1/4-20x2 1/2"

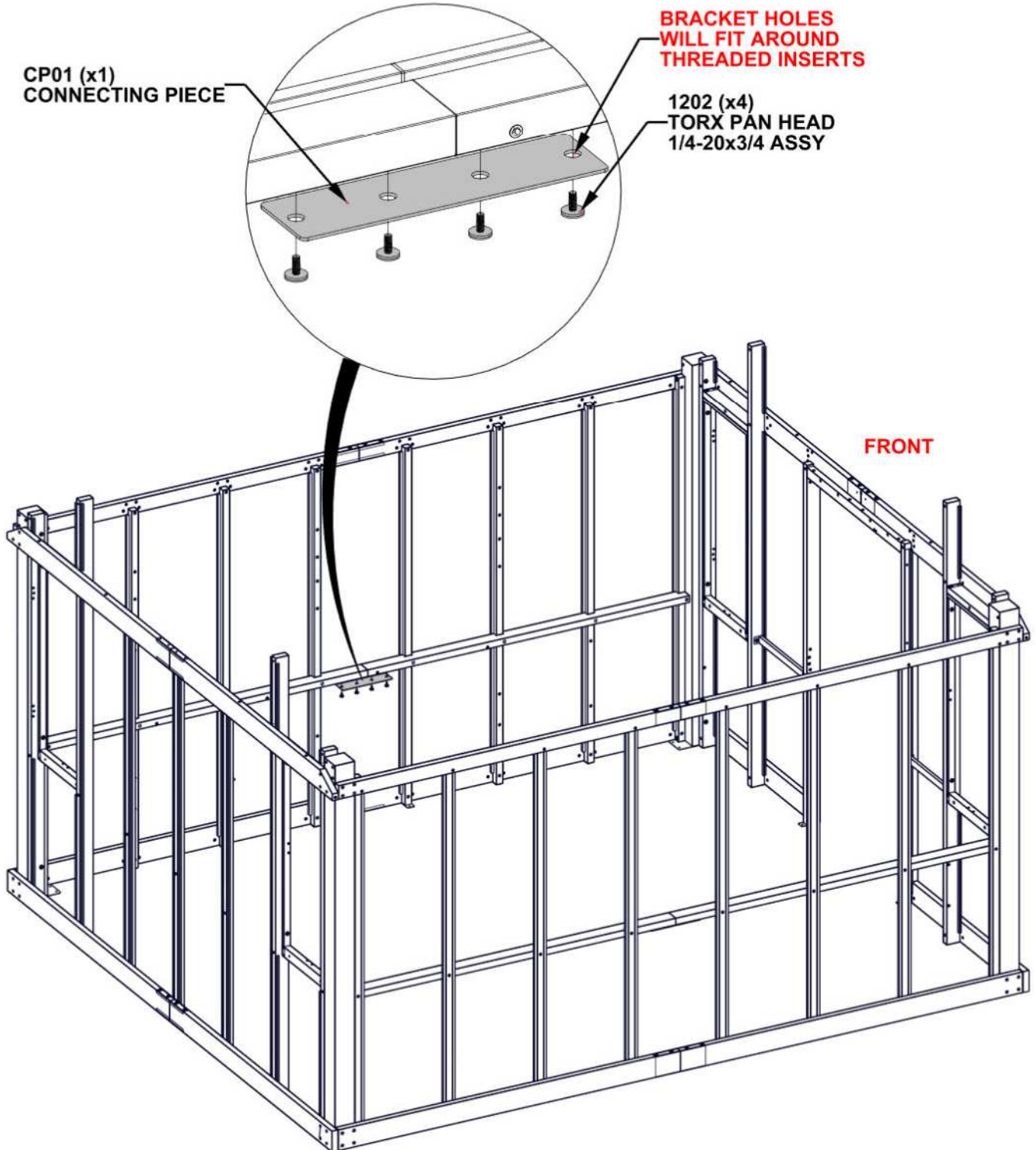


# STEP 26 - RIGHT FRAME ASSEMBLY

QTY	PART NUMBER	DESCRIPTION
4	H101202	TORX PAN HEAD 1/4-20x3/4 ASSY



CP01 CONNECTING PIECE - A4M04972  
(x1) 11 13/16"x3 1/8"x1/8" (3x80x300)



# STEP 27A - FRONT WALL ASSEMBLY

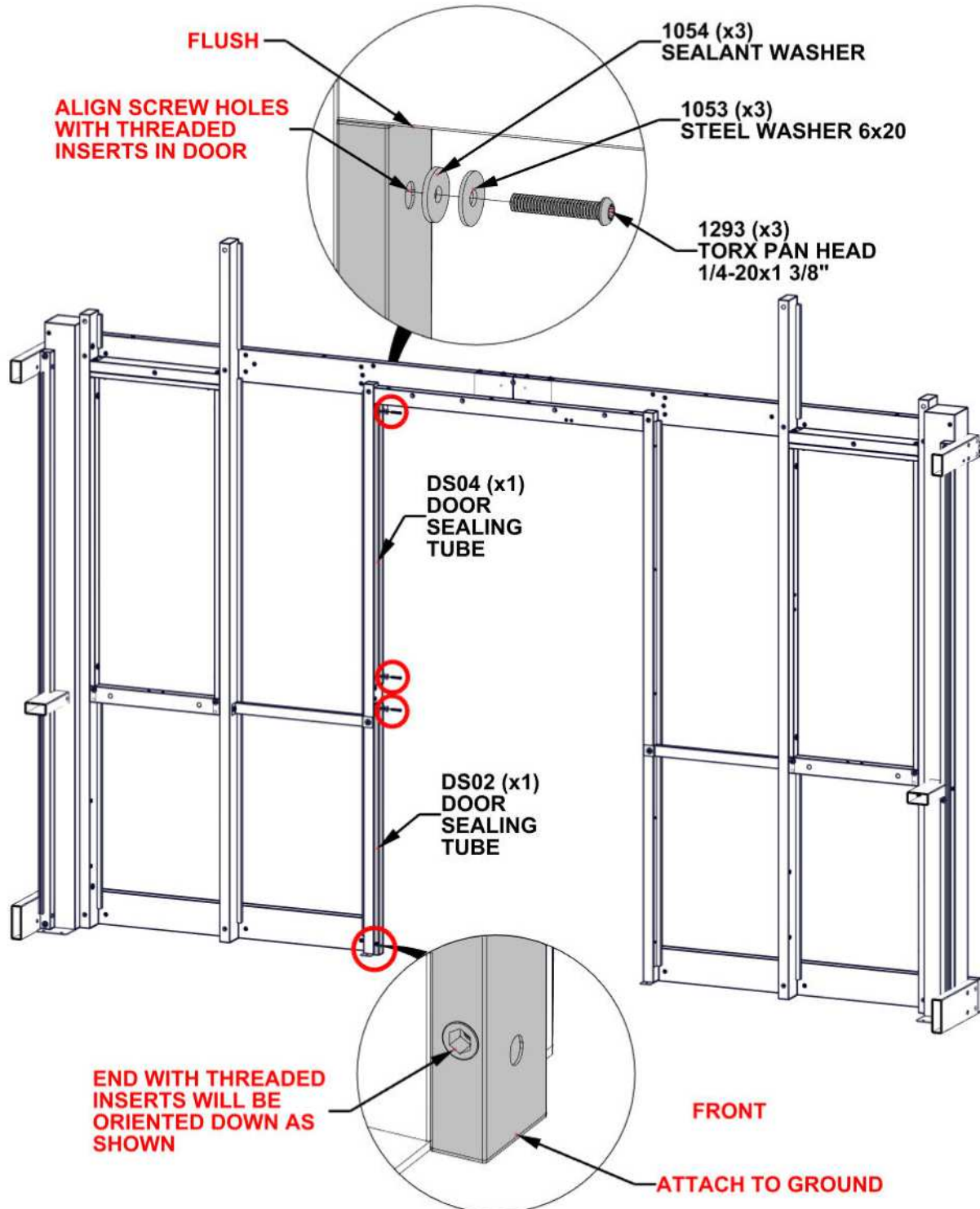
QTY	PART NUMBER	DESCRIPTION
3	H101293	TORX PAN HEAD 1/4-20x1 3/8"
3	H101054	SEALANT WASHER
3	H101053	STEEL WASHER 6x20



DS02 DOOR SEALING TUBE - A4M05567  
(x1) 36 3/16"x1 9/16"x13/16" (20x40x919)



DS04 DOOR SEALING TUBE - A4M05568  
(x1) 40 3/4"x1 9/16"x13/16" (20x40x1034)



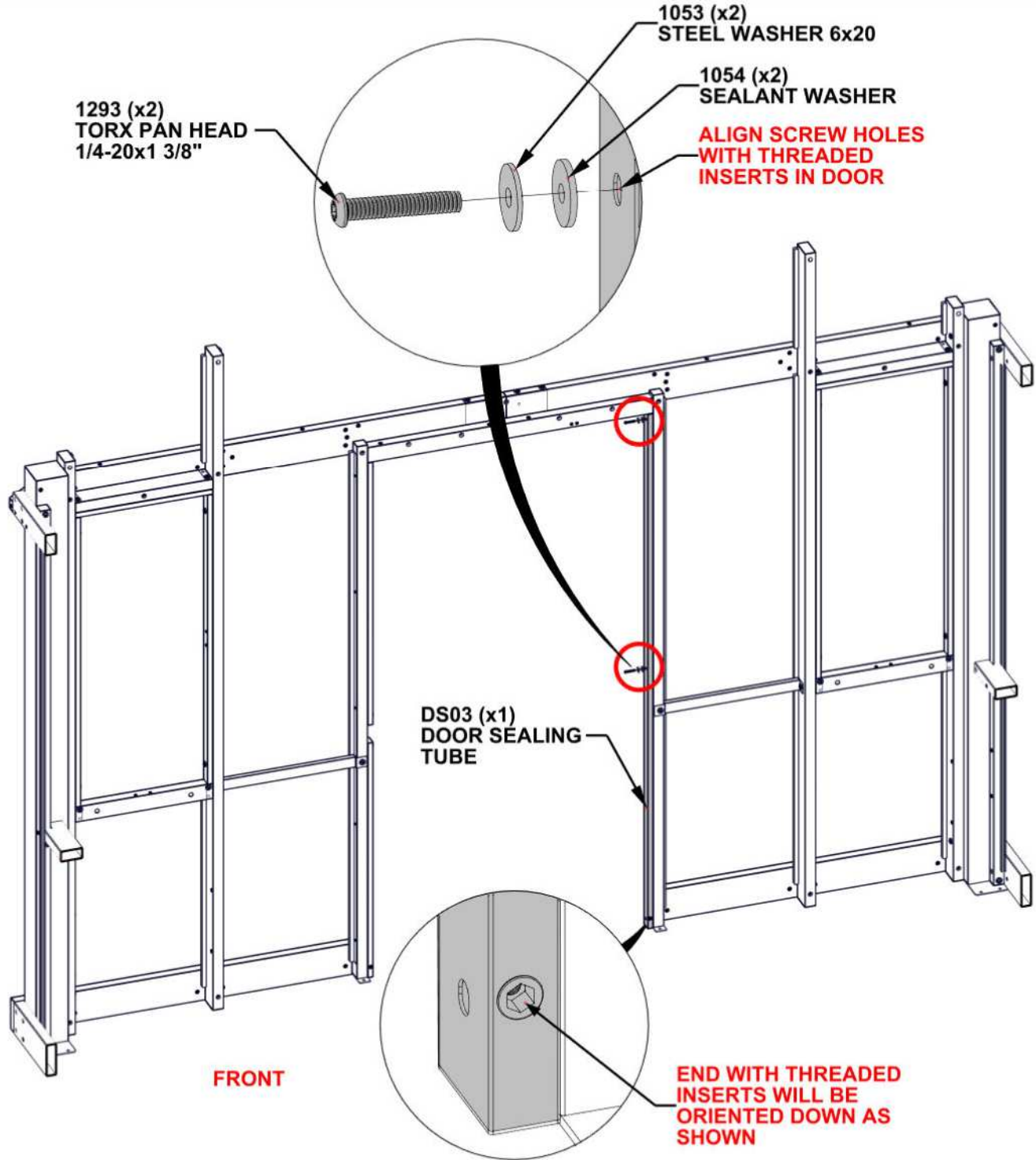
ONLY FRONT SIDE OF GREENHOUSE SHOWN FOR DETAIL.

# STEP 27B - FRONT WALL ASSEMBLY

QTY	PART NUMBER	DESCRIPTION
2	H101293	TORX PAN HEAD 1/4-20x1 3/8"
2	H101054	SEALANT WASHER
2	H101053	STEEL WASHER 6x20



DS03 DOOR SEALING TUBE - A4M05311  
 (x1) 79 15/16"x1 9/16"x13/16" (20x40x2030)



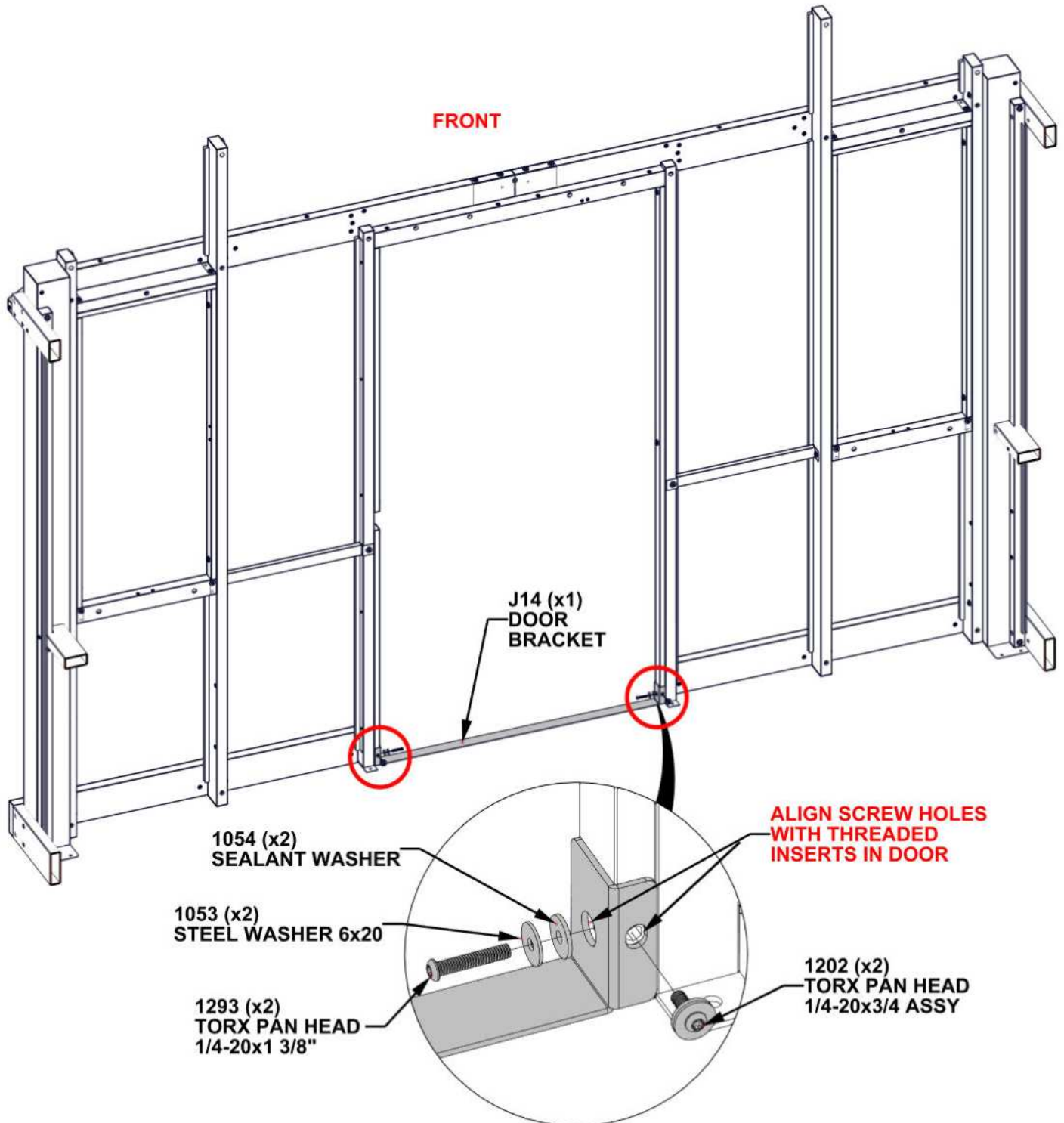
ONLY FRONT SIDE OF GREENHOUSE SHOWN FOR DETAIL.

# STEP 27C - FRONT WALL ASSEMBLY

QTY	PART NUMBER	DESCRIPTION
2	H101293	TORX PAN HEAD 1/4-20x1 3/8"
2	H101202	TORX PAN HEAD 1/4-20x3/4 ASSY
2	H101054	SEALANT WASHER
2	H101053	STEEL WASHER 6x20



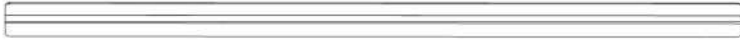
J14 DOOR BRACKET - A4M05312  
(x1) 41 5/16"x2 3/4"x1 3/4" (44.5x70x1049)



ONLY FRONT SIDE OF GREENHOUSE SHOWN FOR DETAIL.

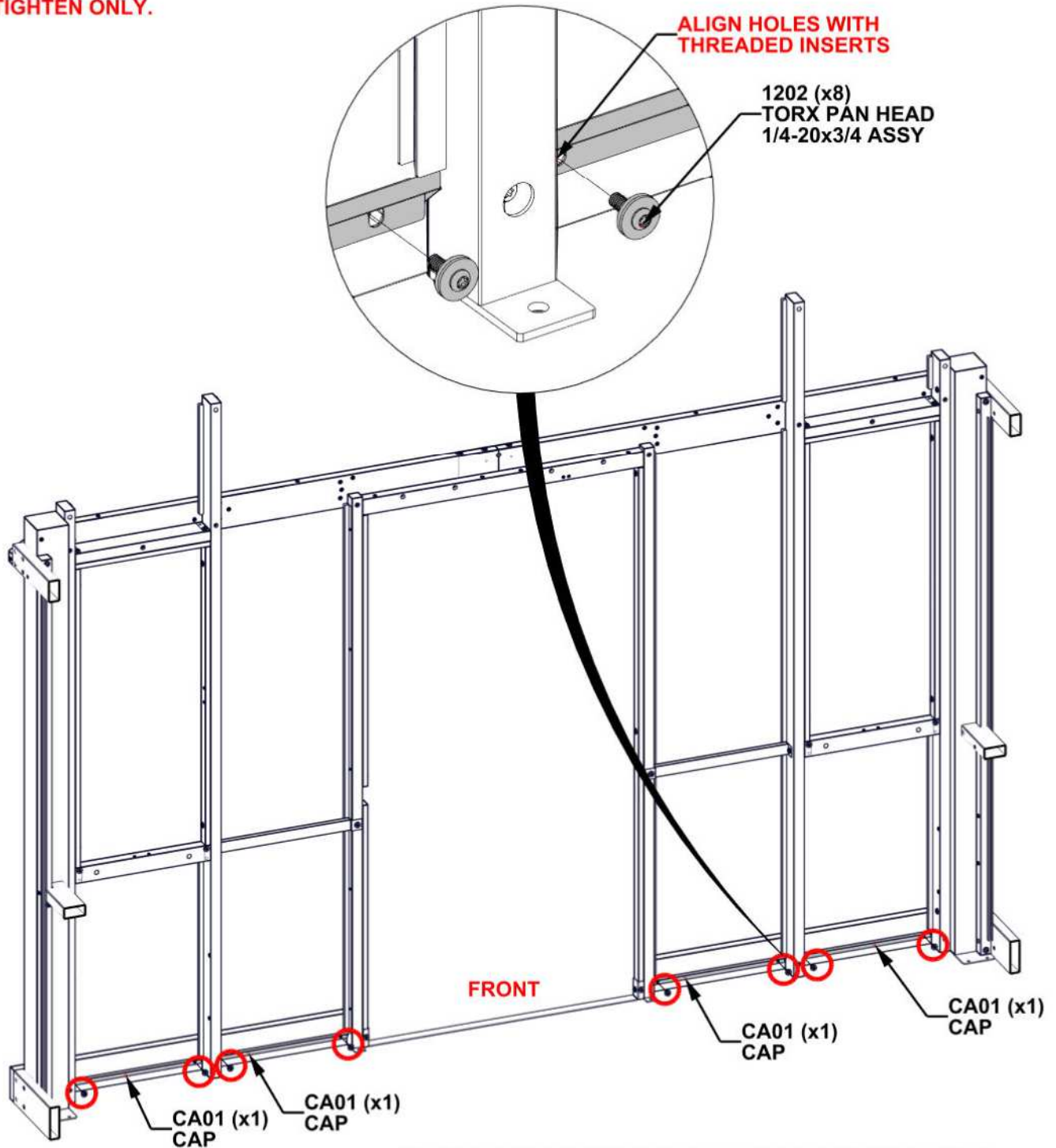
# STEP 28 - FRONT WALL ASSEMBLY

QTY	PART NUMBER	DESCRIPTION
8	H101202	TORX PAN HEAD 1/4-20x3/4 ASSY



CA01 CAP - A4M05407  
 (x4) 19 13/16"x1 1/4"x1/2" (12.8x32.2x503.8)

**- HAND TIGHTEN ONLY.**



ONLY FRONT SIDE OF GREENHOUSE SHOWN FOR DETAIL.

# STEP 29 - FRONT WALL ASSEMBLY



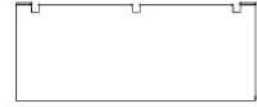
**W03 WPC WALL BOARD - A5C00017**  
(x2) 3/8"x8 1/16"x19 11/16" (10x204x500)



**W04 WPC WALL BOARD - A5C00018**  
(x2) 3/8"x8 1/16"x19 11/16" (10x204x500)

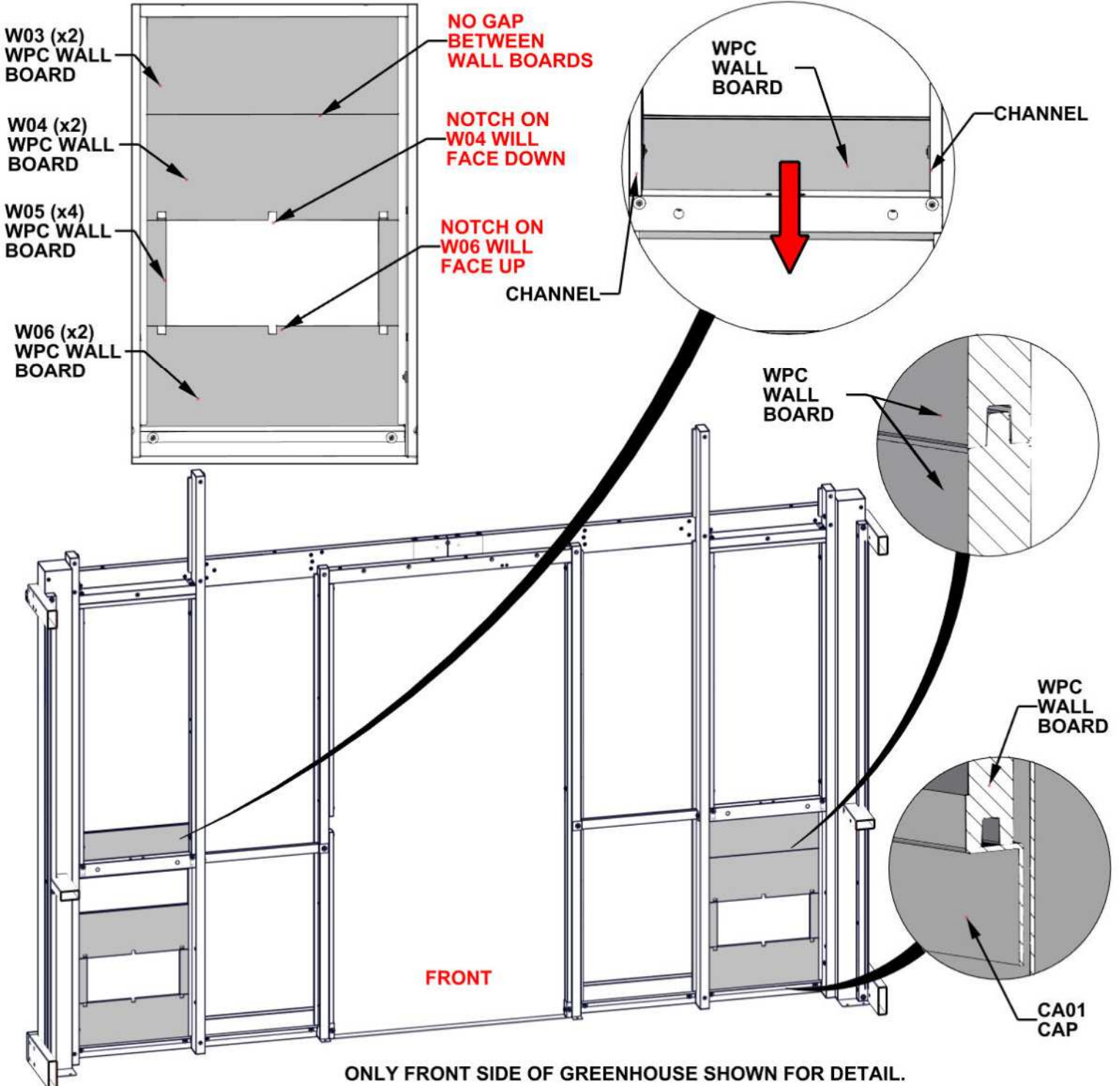


**W05 WPC WALL BOARD - A5C00019**  
(x4) 3/8"x1 15/16"x8 1/16" (10x49x204)



**W06 WPC WALL BOARD - A5C00020**  
(x2) 3/8"x8 1/16"x19 11/16" (10x204x500)

- INSERT WALL BOARDS INTO CHANNELS.
- PUSH WALL BOARDS UNTIL THERE IS NO GAP BETWEEN THEM.
- ENSURE BOTTOM WALL BOARD RESTS INSIDE BOTTOM CAP.

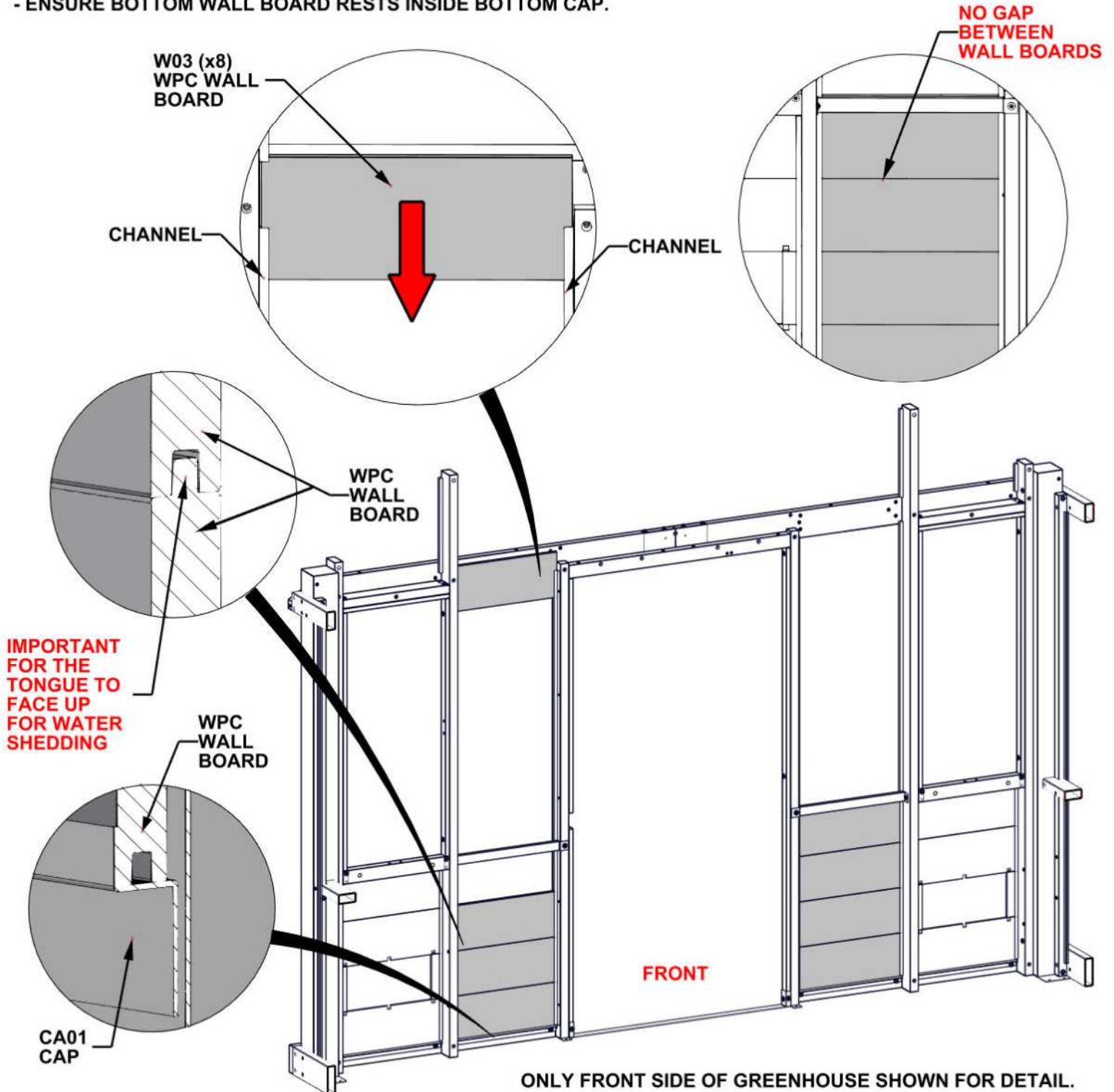


# STEP 30 - FRONT WALL ASSEMBLY



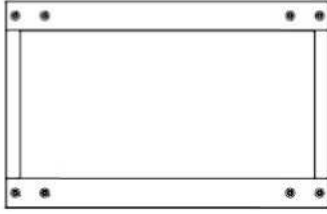
W03 WPC WALL BOARD - A5C00017  
(x8) 3/8"x8 1/16"x19 11/16" (10x204x500)

- INSERT WPC WALL BOARDS INTO CHANNELS OF UPRIGHT AT TOP OF GREENHOUSE.
- PUSH THE WALL BOARDS UNTIL THERE IS NO GAP BETWEEN THEM.
- ENSURE BOTTOM WALL BOARD RESTS INSIDE BOTTOM CAP.

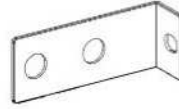


# STEP 31 - FRONT WALL ASSEMBLY

QTY	PART NUMBER	DESCRIPTION
16	H101202	TORX PAN HEAD 1/4-20x3/4 ASSY

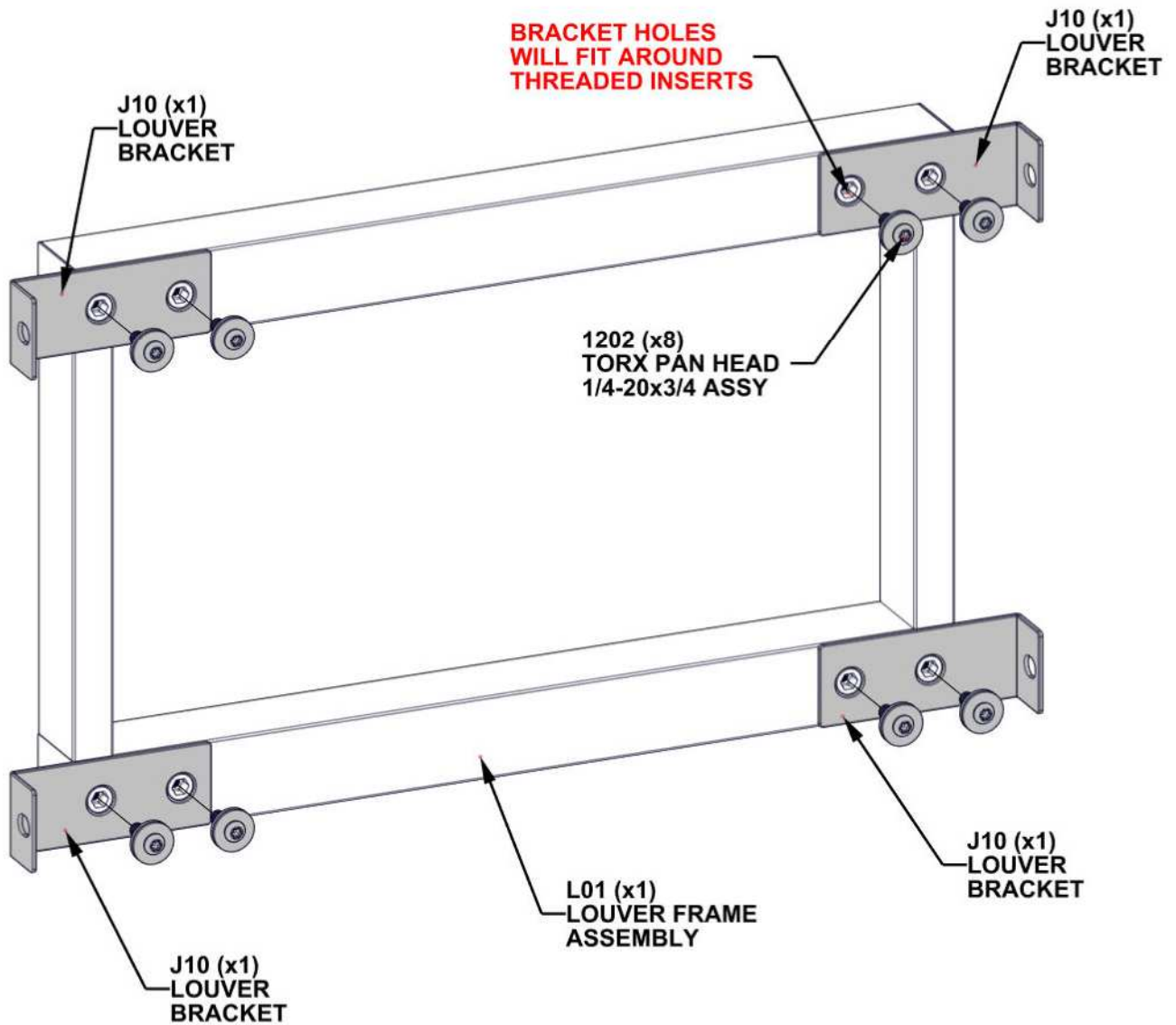


L01 LOUVER FRAME ASSEMBLY - A4M05408  
(x2) 17 5/16"x11"x1 9/16" (40x280x439)



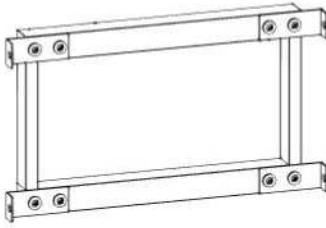
J10 LOUVER BRACKET - A4M05409  
(x8) 3 15/16"x1 9/16"x1 1/16" (26.8x40x100)

- HAND TIGHTEN ONLY.
- REPEAT THIS STEP 2 TIMES.

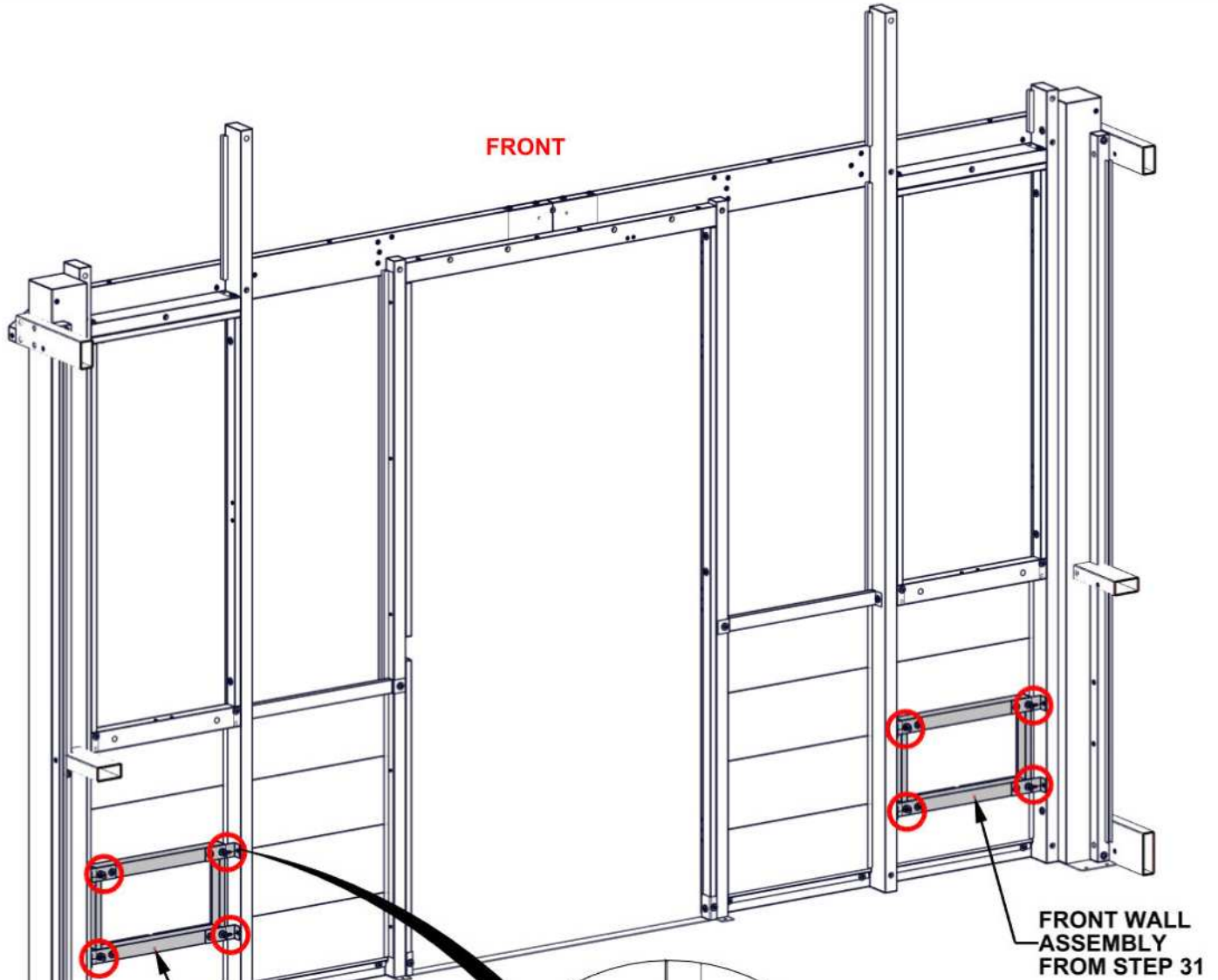


# STEP 32 - FRONT WALL ASSEMBLY

QTY	PART NUMBER	DESCRIPTION
8	H101202	TORX PAN HEAD 1/4-20x3/4 ASSY



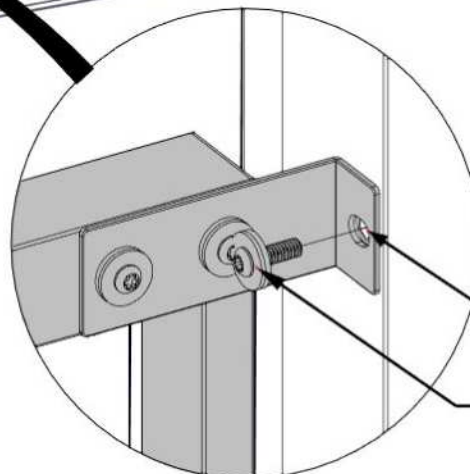
FRONT WALL ASSEMBLY FROM STEP 31



FRONT WALL ASSEMBLY FROM STEP 31

FRONT WALL ASSEMBLY FROM STEP 31

ONLY FRONT SIDE OF GREENHOUSE SHOWN FOR DETAIL.

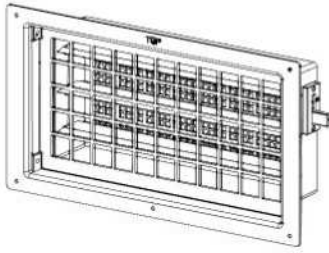


ALIGN HOLES WITH THREADED INSERTS

1202 (x8)  
TORX PAN HEAD  
1/4-20x3/4 ASSY

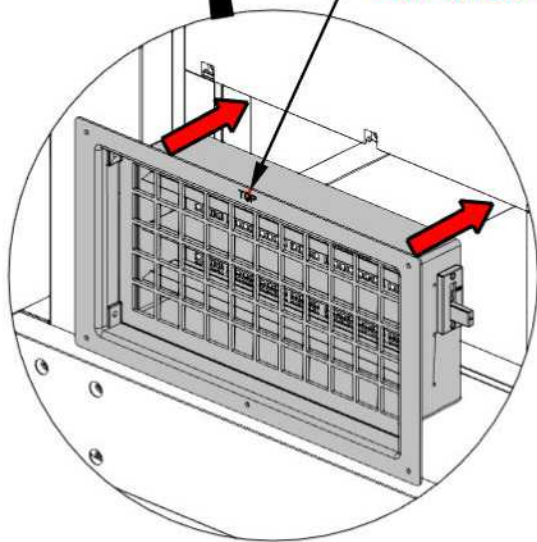
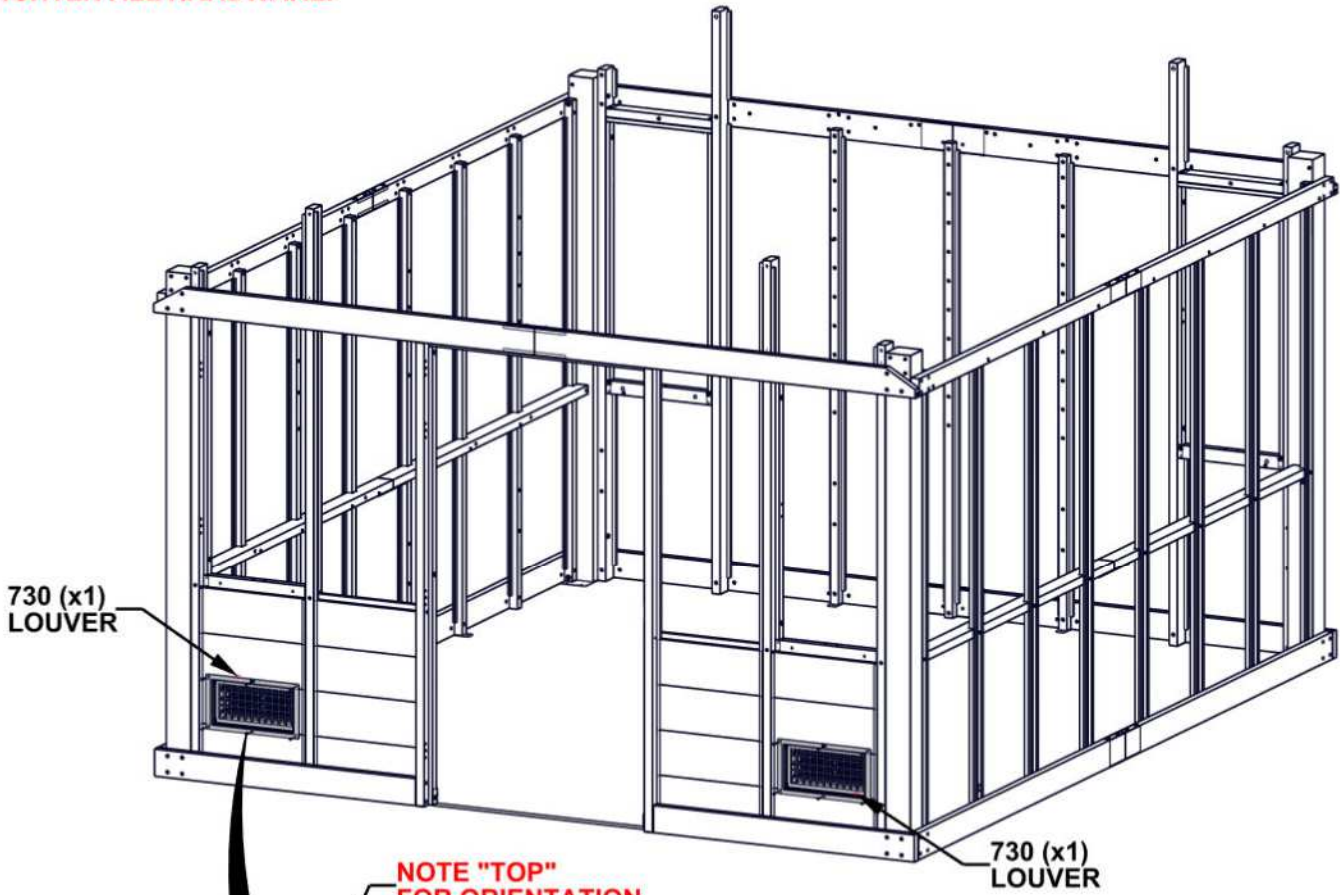
# STEP 33 - FRONT WALL ASSEMBLY

QTY	PART NUMBER	DESCRIPTION
12	H101287	PAN HEAD SCREW 8-32x1" SS

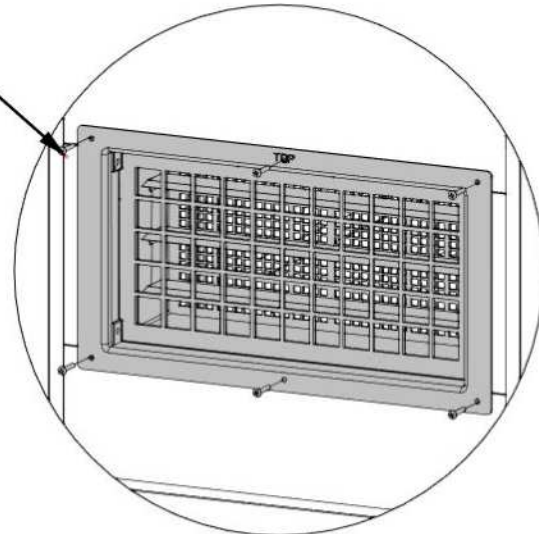


A6P00730 LOUVER  
(x2)

**- TIGHTEN ALL HARDWARE.**



1287 (x12)  
PAN HEAD  
SCREW  
8-32x1" SS



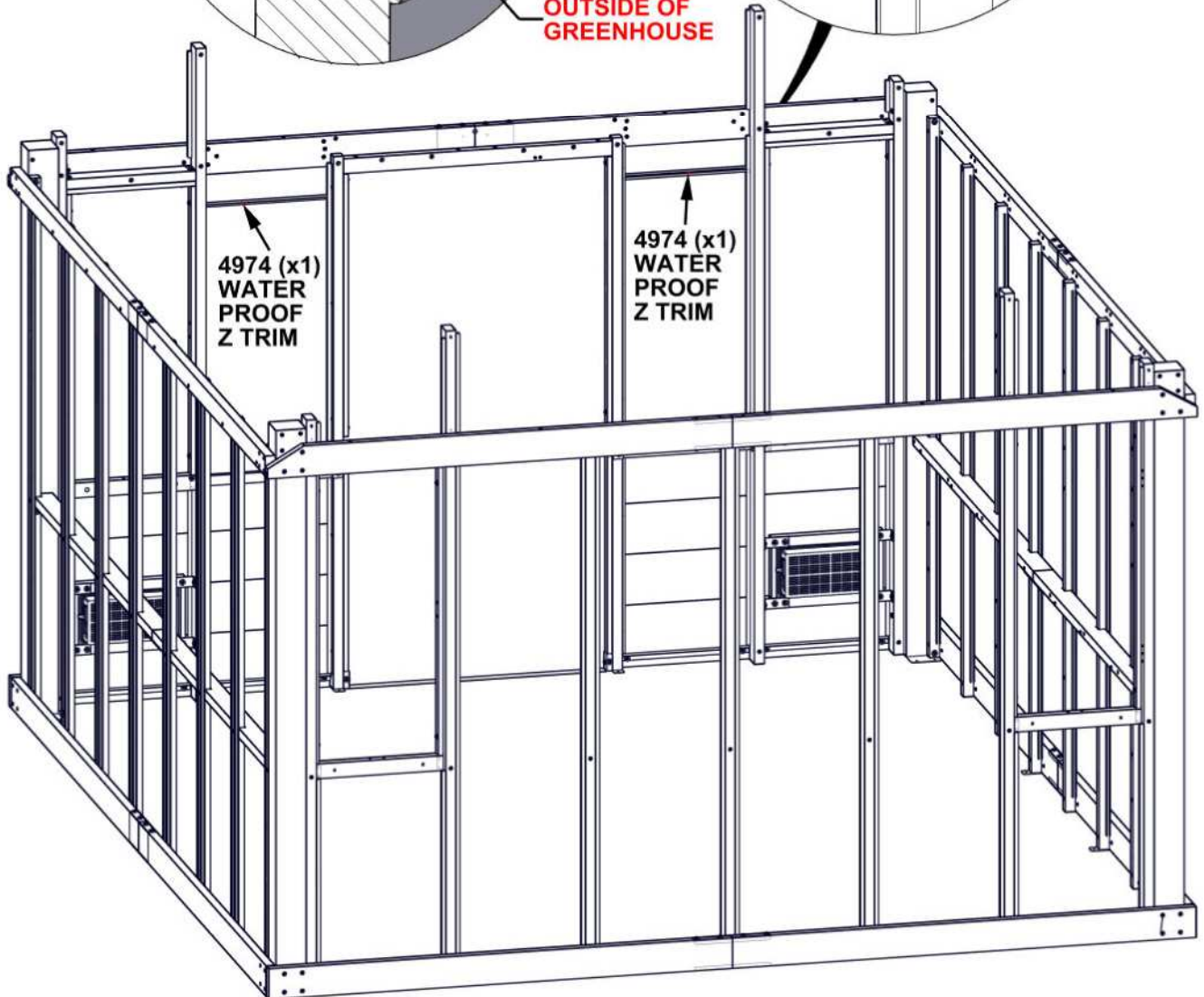
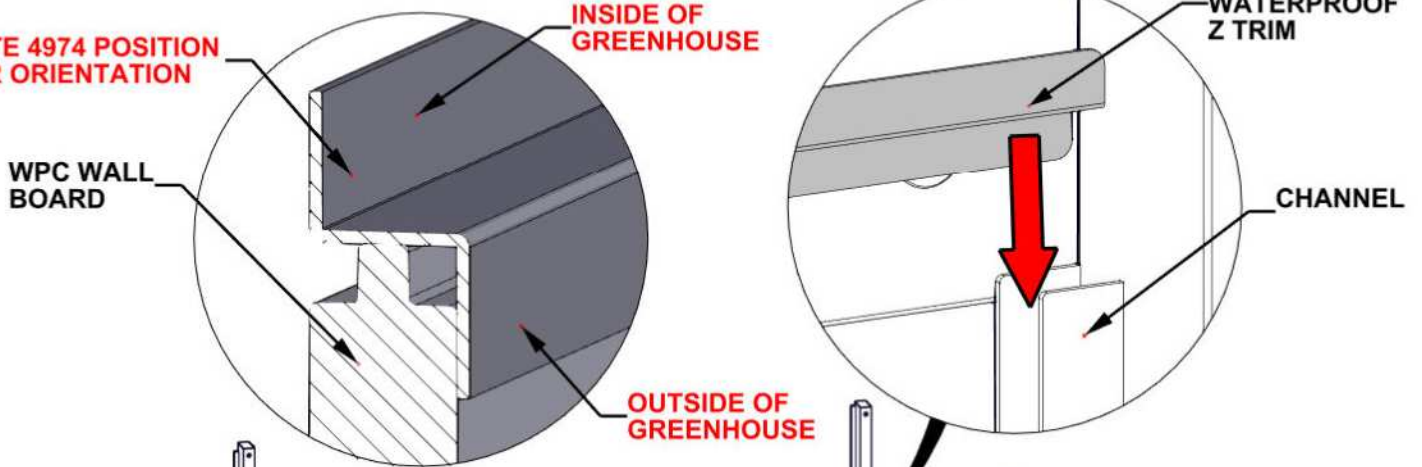
# STEP 34 - FRONT WALL ASSEMBLY



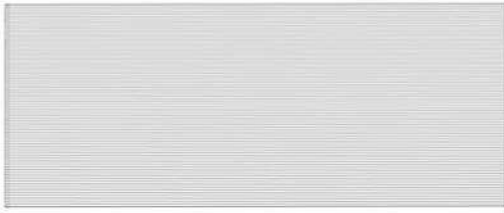
4974 WATERPROOF Z TRIM - A4M04974  
(x2) 19 3/4"x7/16"x7/16" (10.80x11x502)

- INSERT 4974 INTO CHANNELS OF UPRIGHT AT TOP OF GREENHOUSE UNTIL SEATED ON THE WALL BOARDS.

**NOTE 4974 POSITION FOR ORIENTATION**



# STEP 35 - FRONT WALL ASSEMBLY



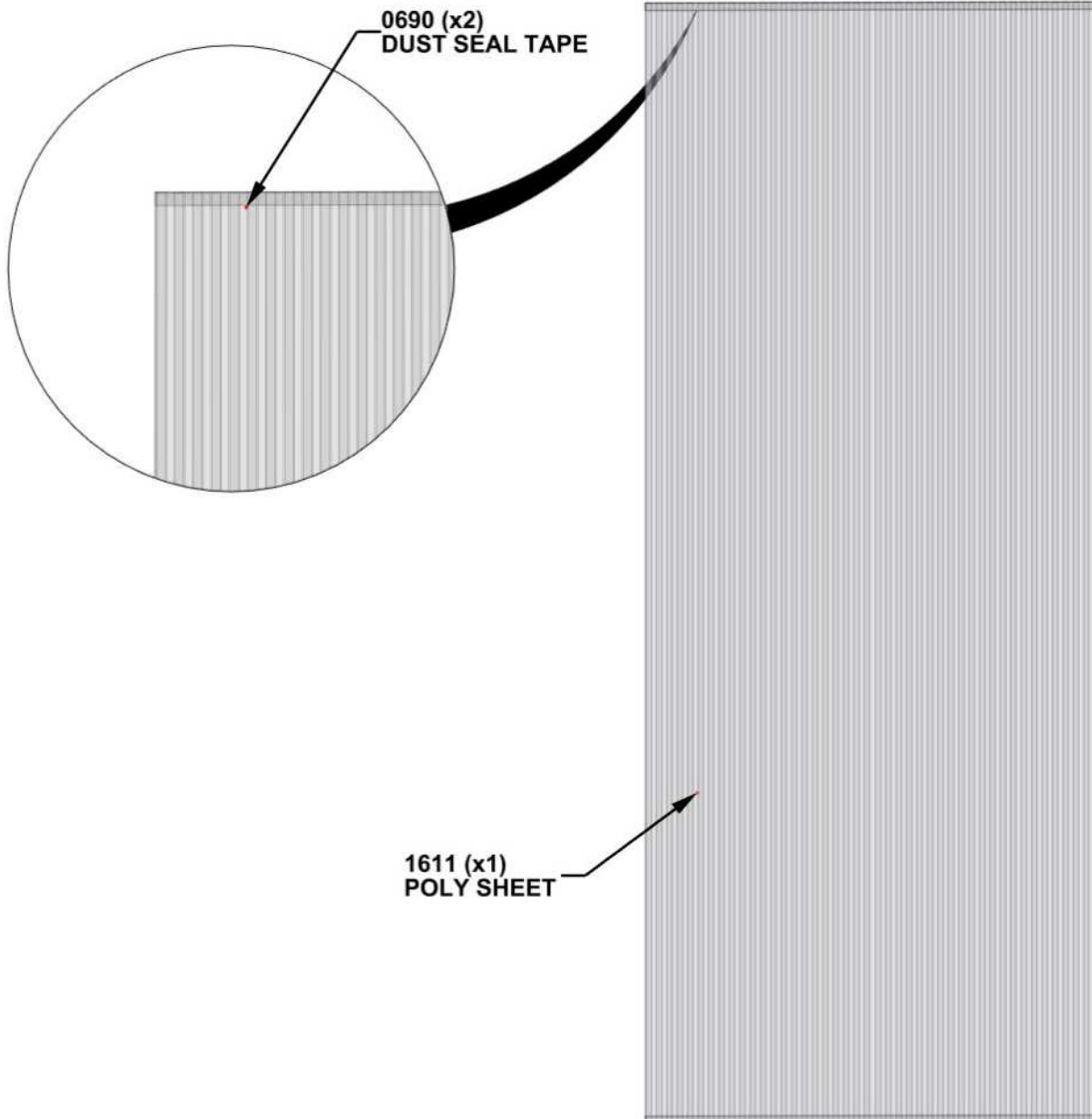
1611 POLY SHEET - A6P01611  
(x2) 48 1/8"x19 5/8"x3/8" (10x498x1223)



A6P00690 DUST SEAL TAPE

## TO APPLY DUST SEAL TAPE:

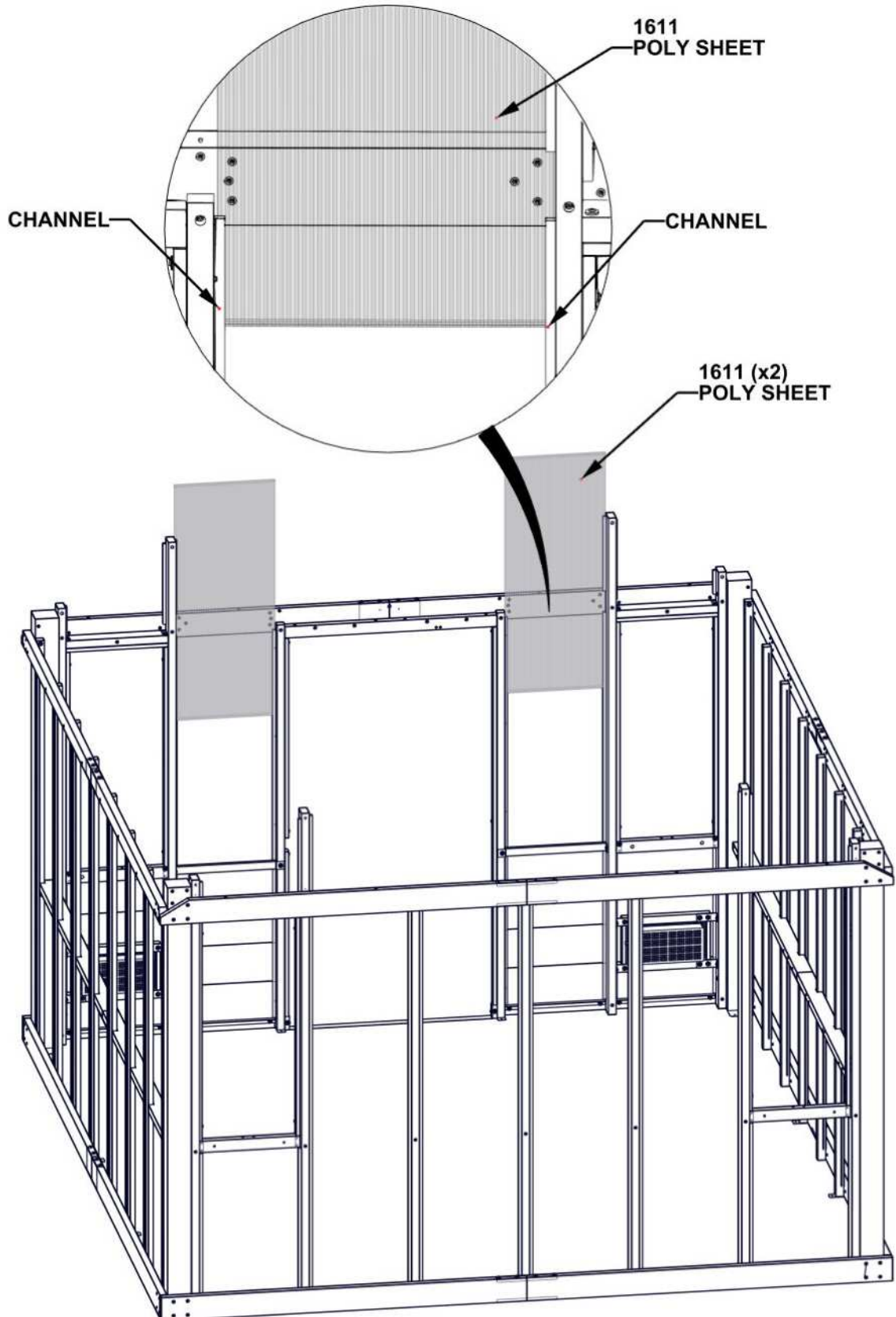
- CUT 2 STRIPS OF DUST SEAL TAPE THE SAME WIDTH AS THE POLY SHEET.
- WRAP DUST SEAL TAPE ALONG EDGE OF POLY SHEET WIDTH.
- REPEAT ON THE BOTTOM SIDE OF POLY SHEET.
- **REPEAT FOR 2 POLY SHEETS.**



# STEP 36 - FRONT WALL ASSEMBLY

## IMPORTANT!

- ENSURE UV SIDE OF POLY SHEETS ARE FACING OUTSIDE.
- REMOVE THE PROTECTIVE FILM PRIOR TO INSTALLATION OF POLY SHEETS.
- INSERT POLY SHEETS INTO CHANNELS OF UPRIGHT.
- GENTLY SLIDE POLY SHEETS UNTIL SEATED ON INSTALLED WATERPROOF Z TRIMS.



# STEP 37 - FRONT WALL ASSEMBLY

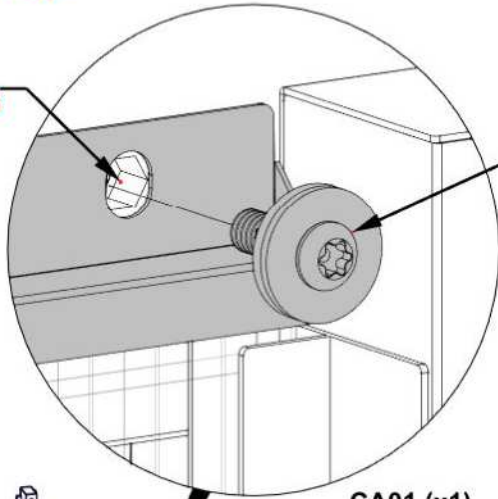
QTY	PART NUMBER	DESCRIPTION
4	H101202	TORX PAN HEAD 1/4-20x3/4 ASSY



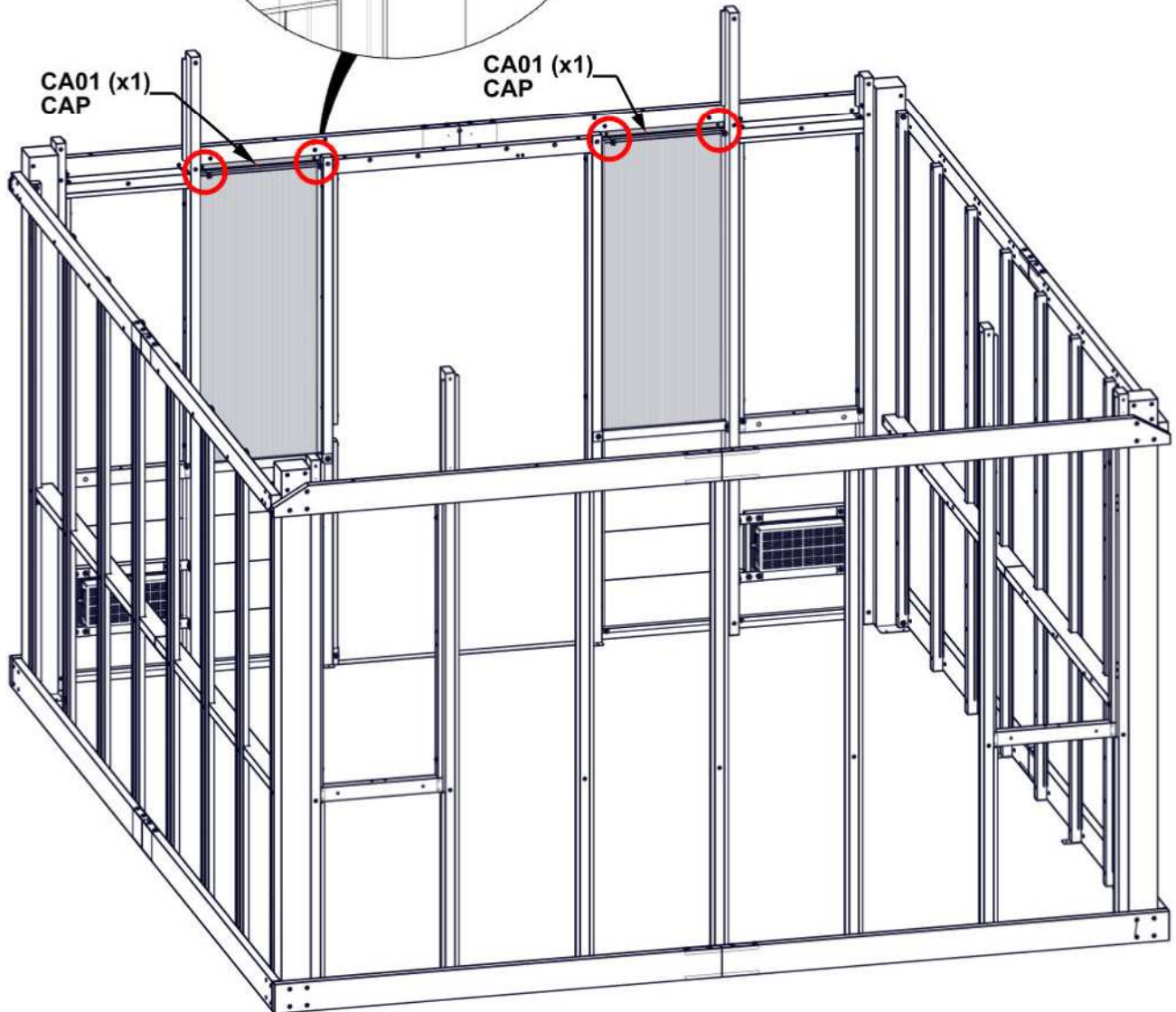
CA01 CAP - A4M05407  
(x2) 19 13/16"x1 1/4"x1/2" (12.8x32.2x503.8)

**- TIGHTEN ALL HARDWARE.**

**ALIGN HOLES WITH  
THREADED INSERTS**



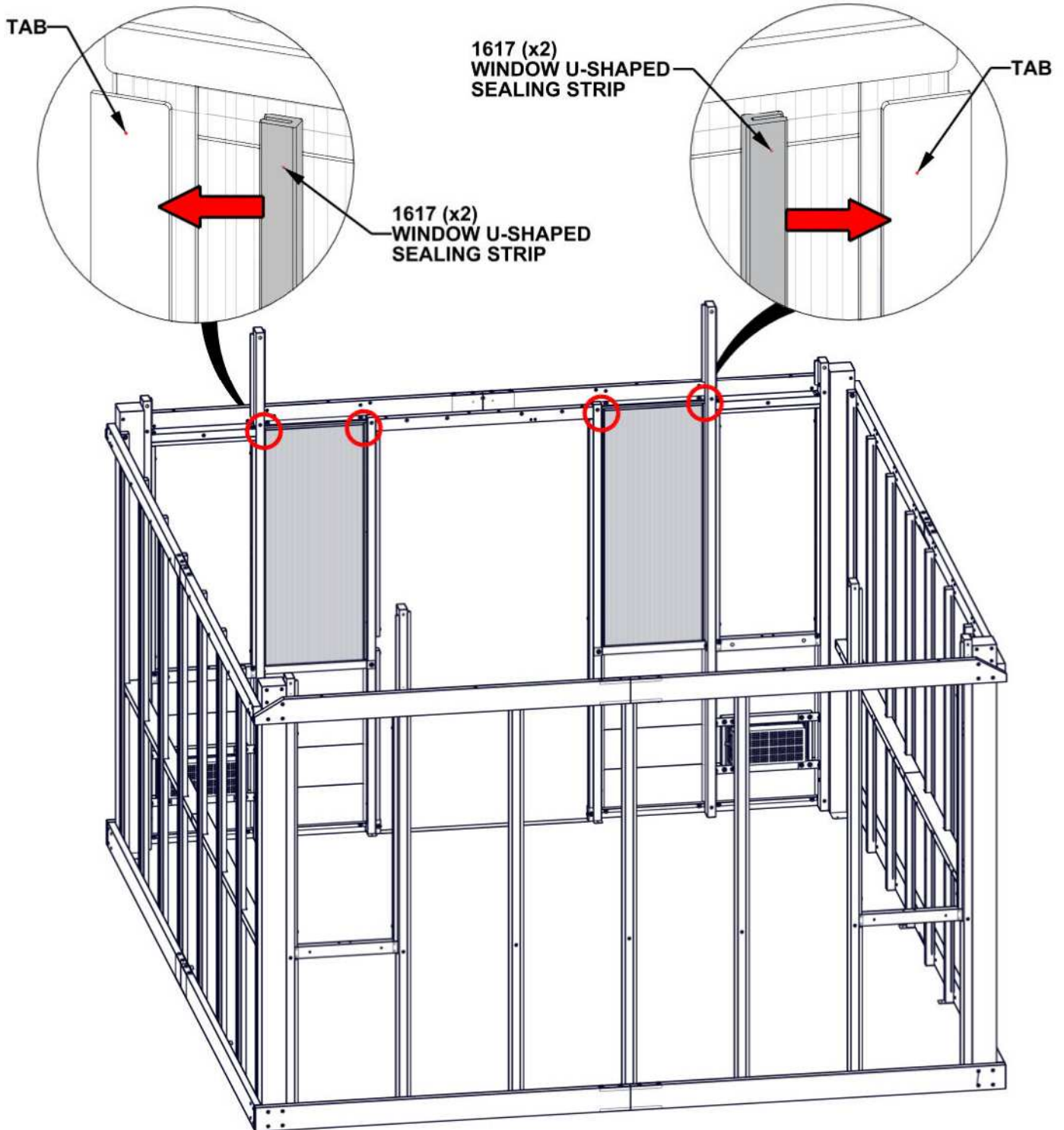
1202 (x4)  
TORX PAN HEAD  
1/4-20x3/4 ASSY



# STEP 38 - FRONT WALL ASSEMBLY

A6P01617 WINDOW U-SHAPED SEALING STRIP  
(x1)

- CUT 4 STRIPS OF SEALING STRIP THE SAME HEIGHT AS THE TAB ON UPRIGHT.
- SLIDE SEALING STRIP ONTO THE TAB FACING OUTWARD ON UPRIGHT.

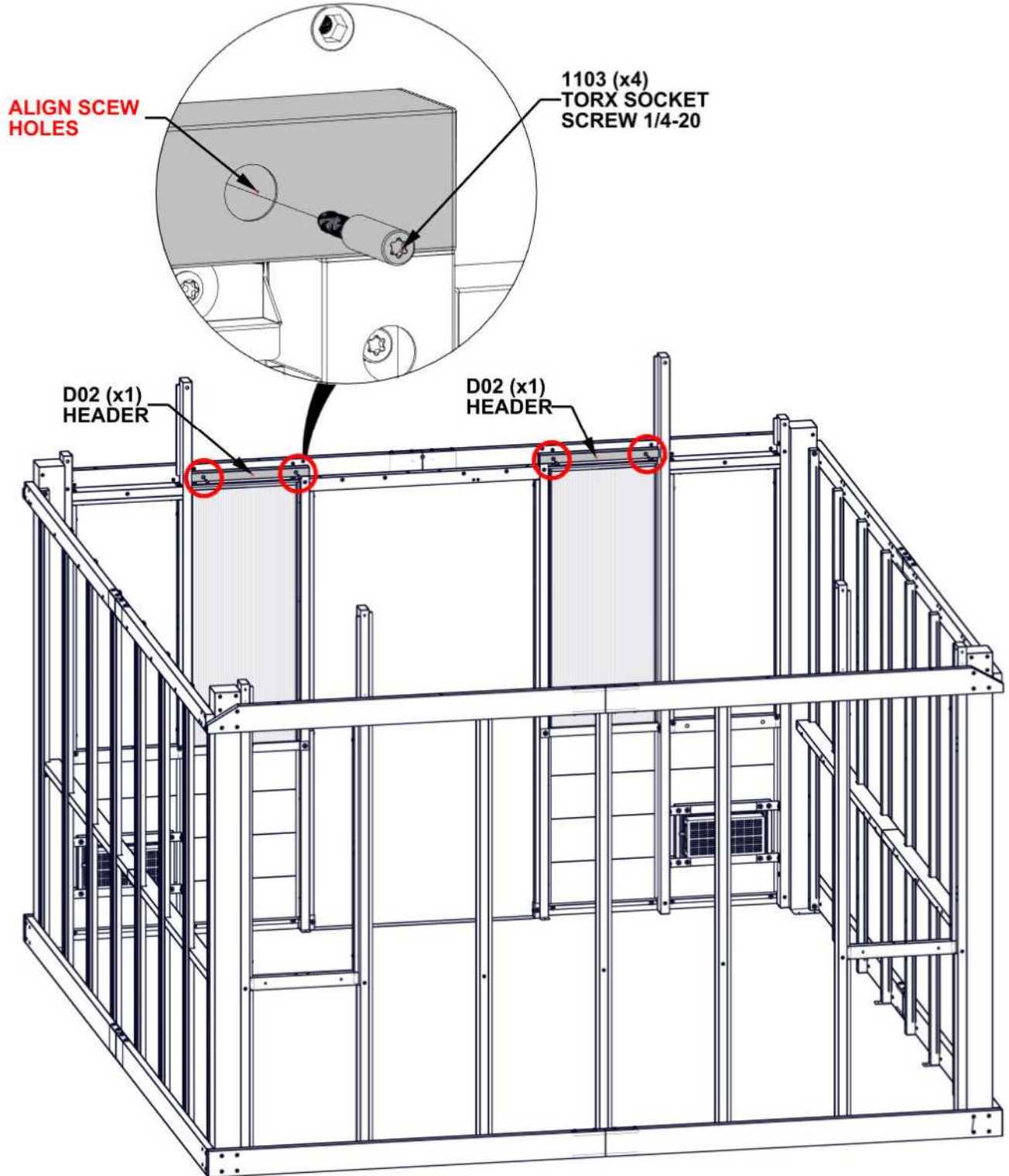


# STEP 39 - FRONT WALL ASSEMBLY

QTY	PART NUMBER	DESCRIPTION
4	H101103	TORX SOCKET SCREW 1/4-20



D02 HEADER - A4M05001  
(x2) 21 1/2"x1 9/16"x1 9/16" (40x40x546)

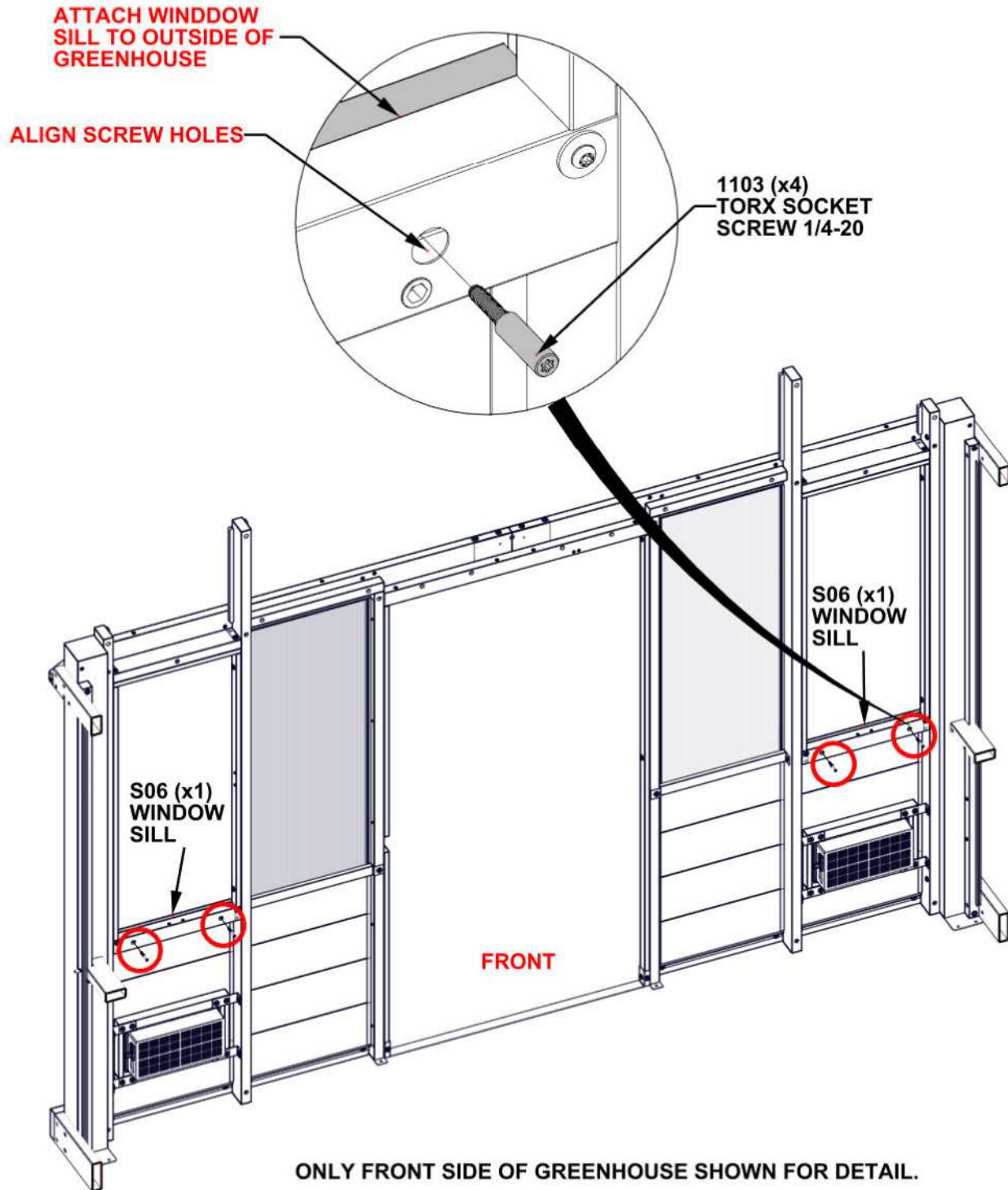


# STEP 40 - FRONT WALL ASSEMBLY

QTY	PART NUMBER	DESCRIPTION
4	H101103	TORX SOCKET SCREW 1/4-20



S06 WINDOW SILL - A4M04989  
(x2) 19 13/16"x1 9/16"x13/16" (20x40x504)



# STEP 41A - FRONT WALL ASSEMBLY

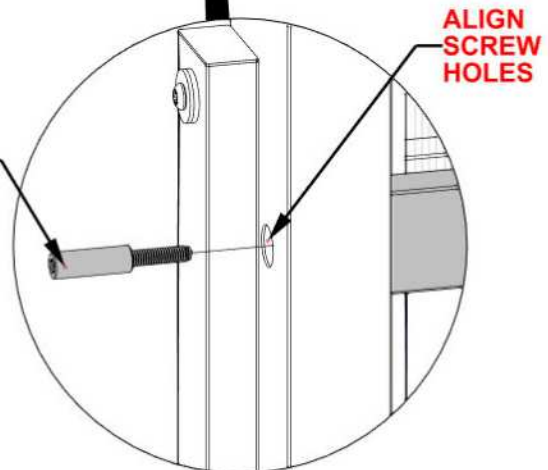
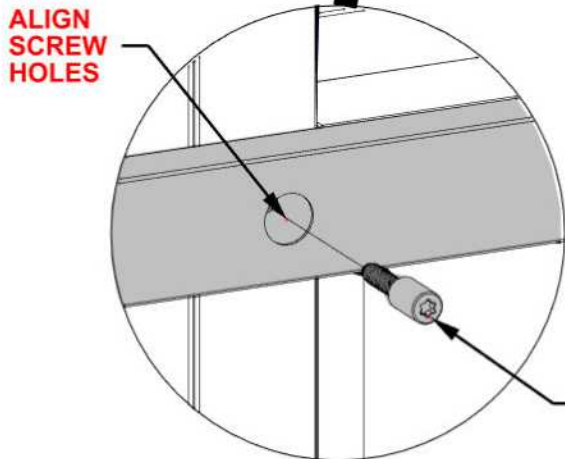
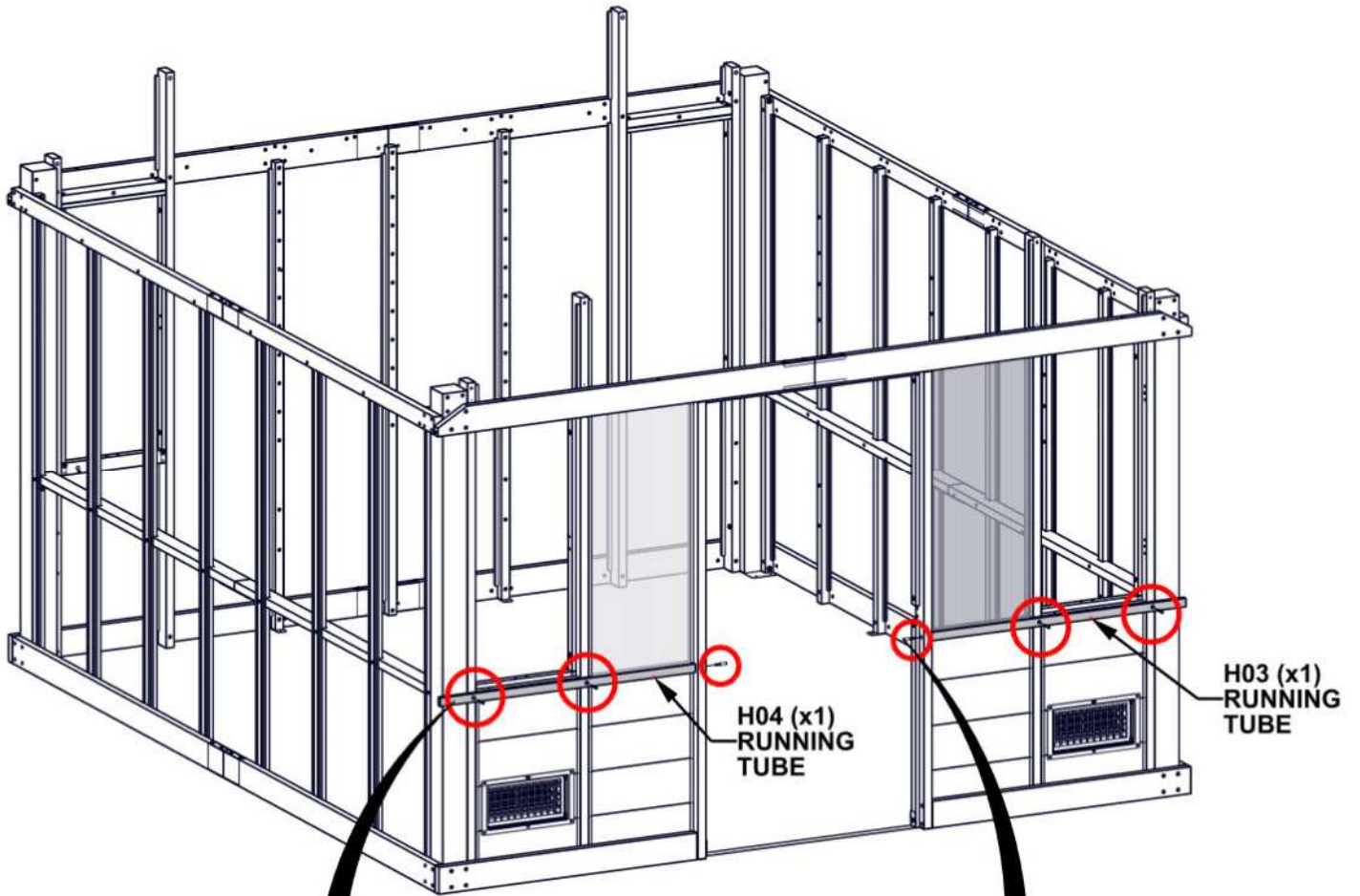
QTY	PART NUMBER	DESCRIPTION
4	H101132	TORX SOCKET SCREW SHORT 1/4-20
2	H101103	TORX SOCKET SCREW 1/4-20



H03 RUNNING TUBE - A4M04996  
(x1) 48 1/2"x1 9/16"x13/16" (20x40x1232)



H04 RUNNING TUBE - A4M04997  
(x1) 48 1/2"x1 9/16"x13/16" (20x40x1232)



# STEP 41B - FRONT WALL ASSEMBLY



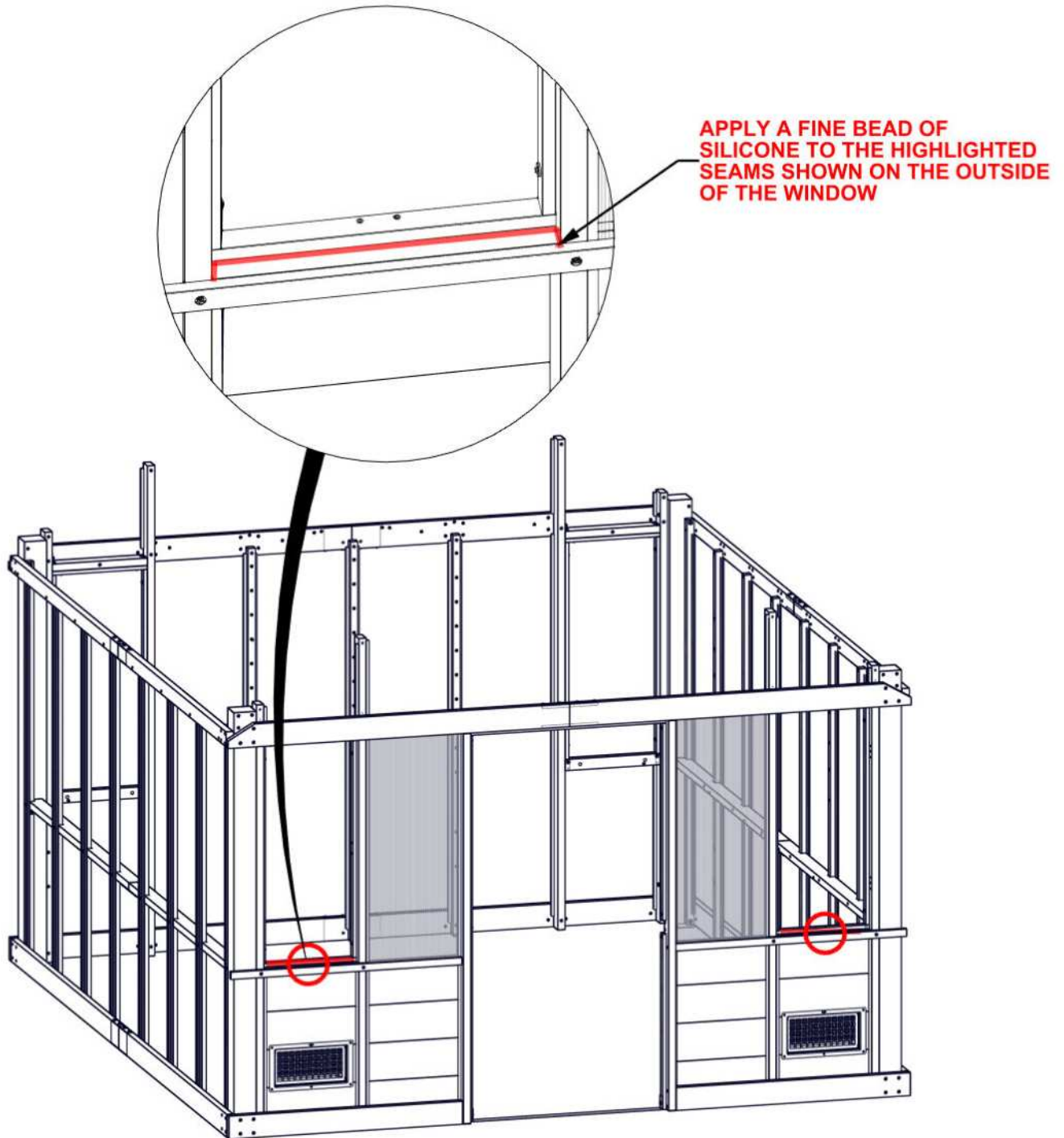
A6P01531 10 OZ SILICONE TUBE  
(x2)



H101464 CAULK GUN  
(x1)

- APPLY A FINE BEAD OF SILICONE ALONG THE RED AREA ON WINDOW.
- SMOOTH SILICONE, WIPING EXCESS USING A RAG OR PAPER TOWEL.

**TIP: GLOVES ARE RECOMMENDED WHEN APPLYING SILICONE.**



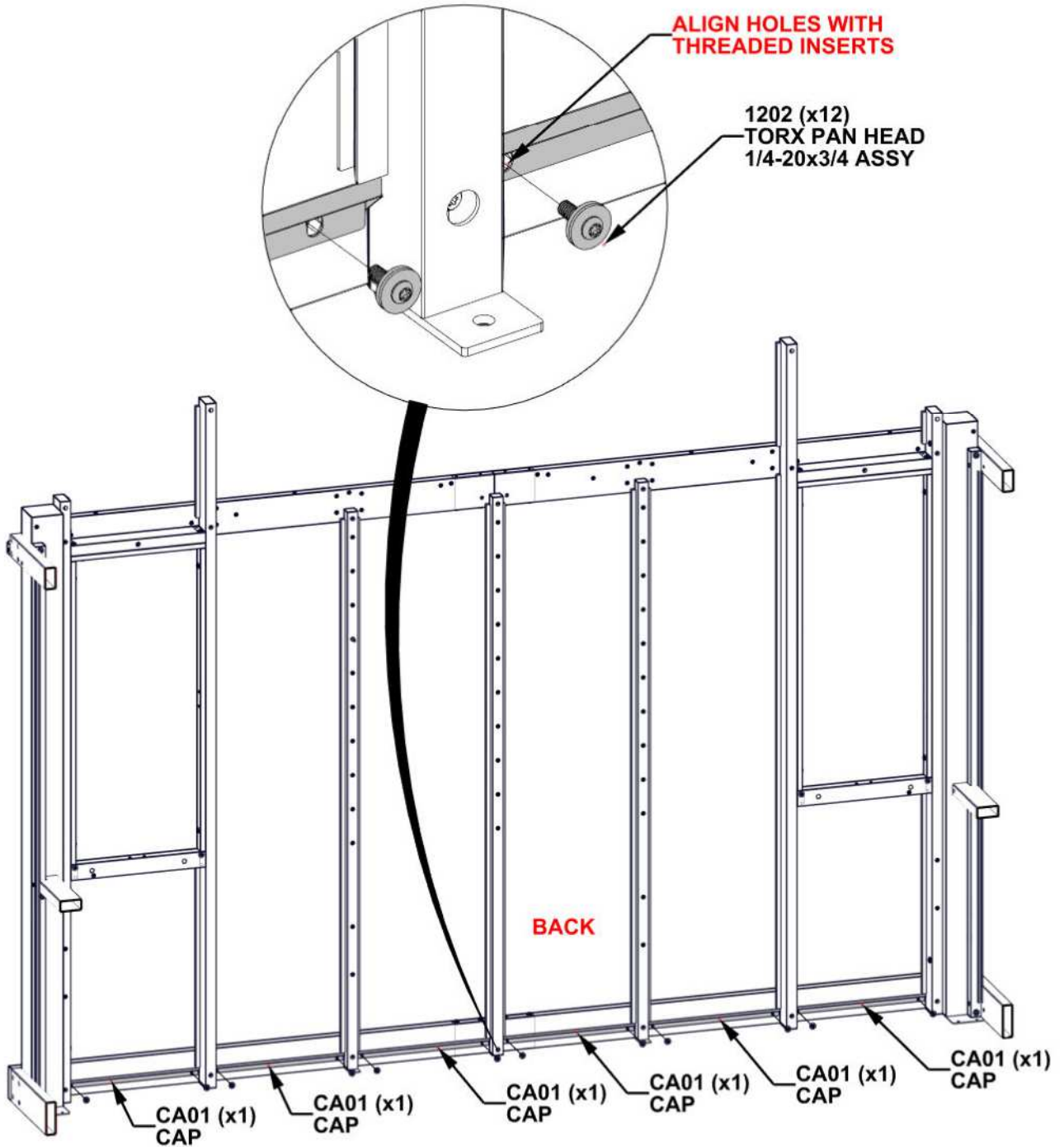
# STEP 42 - BACK WALL ASSEMBLY

QTY	PART NUMBER	DESCRIPTION
12	H101202	TORX PAN HEAD 1/4-20x3/4 ASSY



CA01 CAP - A4M05407  
 (x6) 19 13/16"x1 1/4"x1/2" (12.8x32.2x503.8)

**- HAND TIGHTEN ONLY.**



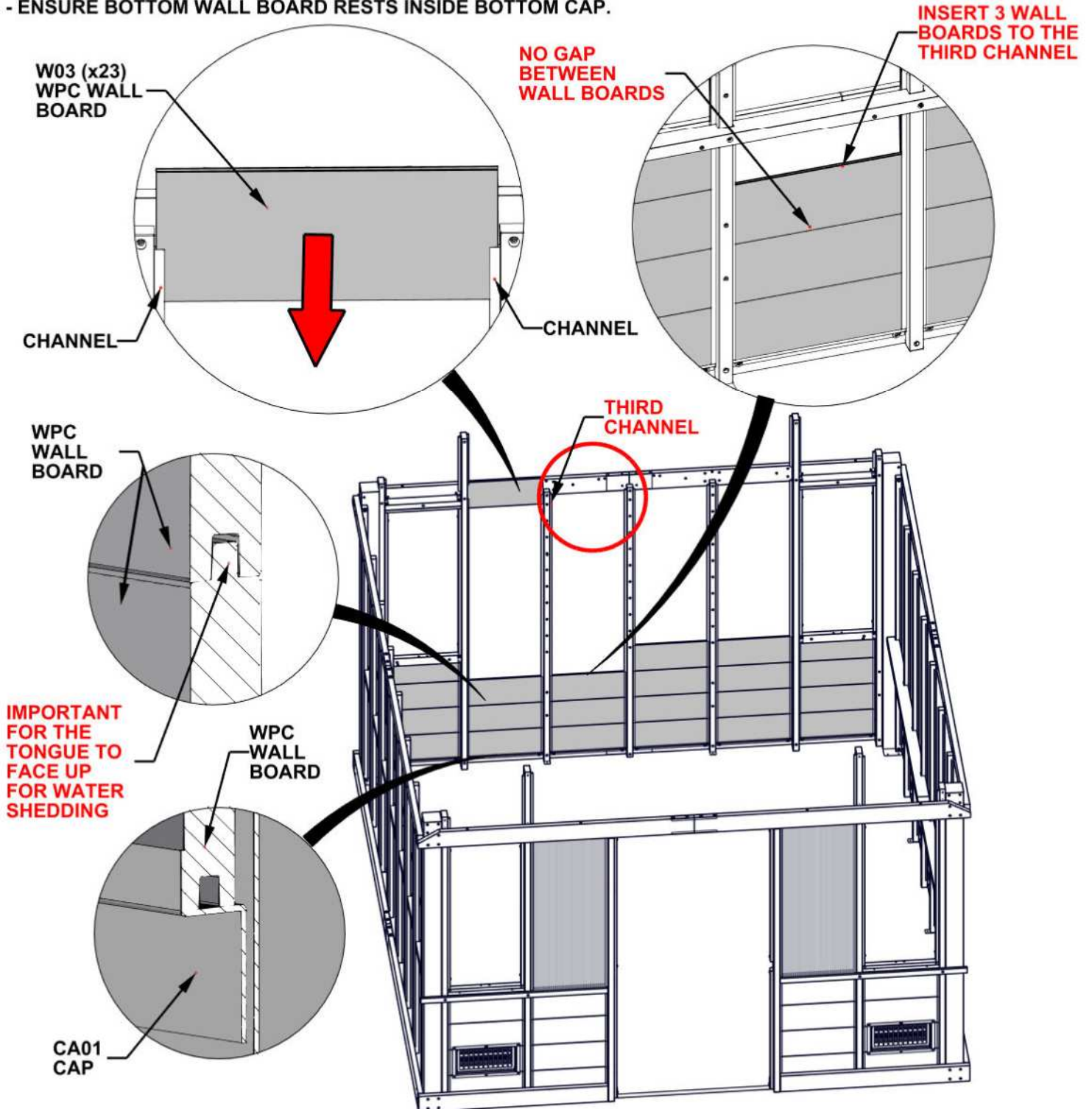
ONLY BACK SIDE OF GREENHOUSE SHOWN FOR DETAIL.

# STEP 43 - BACK WALL ASSEMBLY



W03 WPC WALL BOARD - A5C00017  
(x23) 3/8"x8 1/16"x19 11/16" (10x204x500)

- INSERT WPC WALL BOARDS INTO CHANNELS OF UPRIGHT AT TOP OF GREENHOUSE.
- PUSH THE WALL BOARDS UNTIL THERE IS NO GAP BETWEEN THEM.
- ENSURE BOTTOM WALL BOARD RESTS INSIDE BOTTOM CAP.

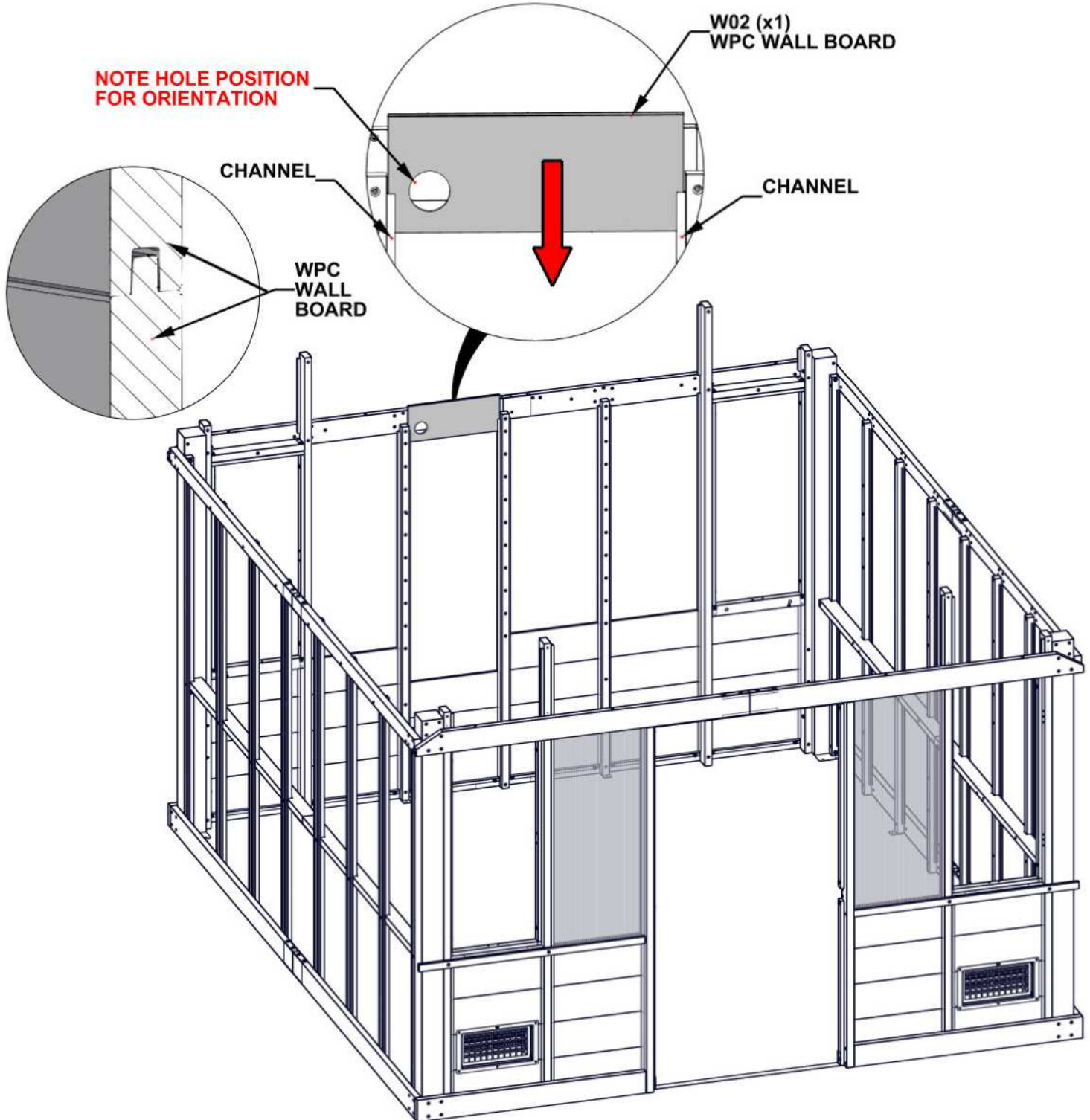


# STEP 44 - BACK WALL ASSEMBLY



W02 WPC WALL BOARD - A5C00016  
(x1) 3/8"x8 1/16"x19 11/16" (10x204x500)

- INSERT WPC WALL BOARD INTO CHANNELS OF UPRIGHT AT TOP OF GREENHOUSE.
- PUSH THE WALL BOARD UNTIL THERE IS NO GAP BETWEEN THEM.



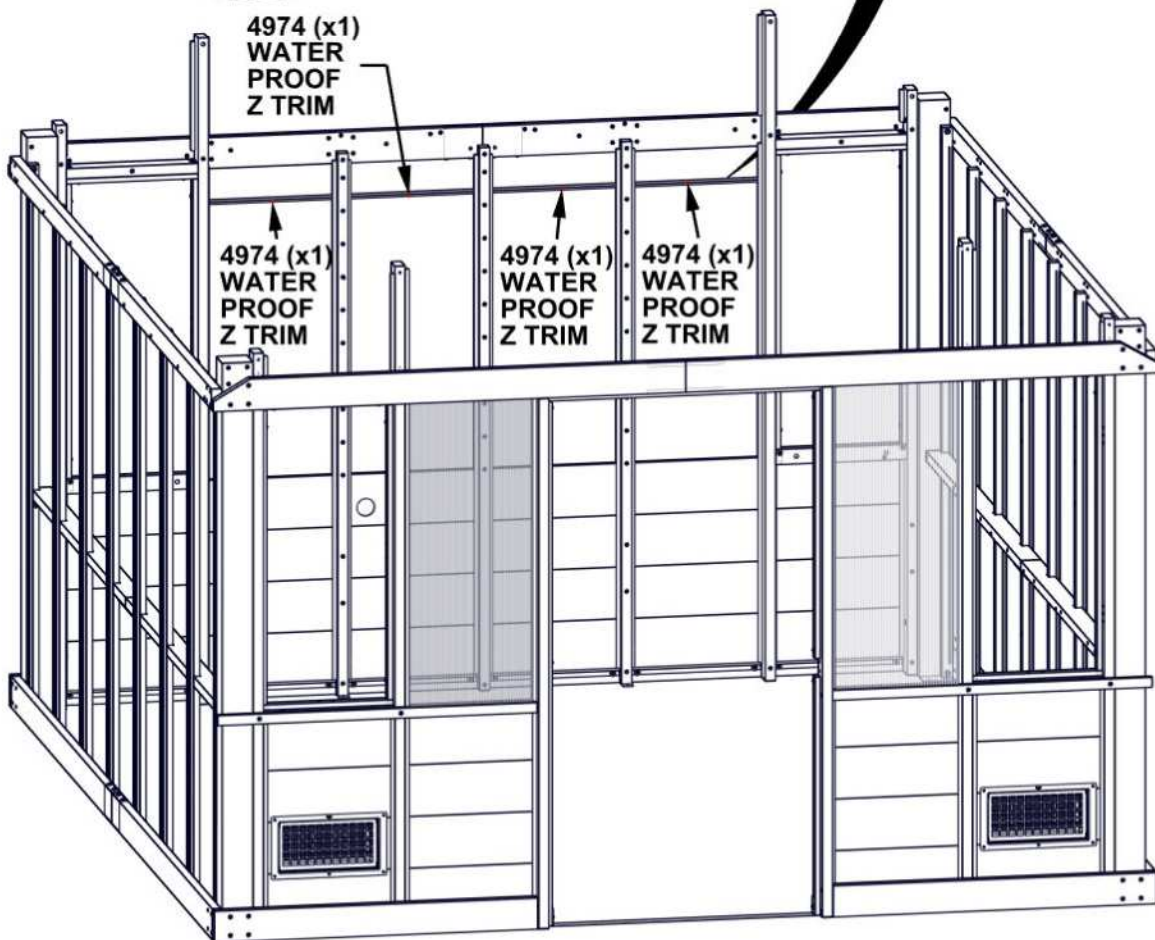
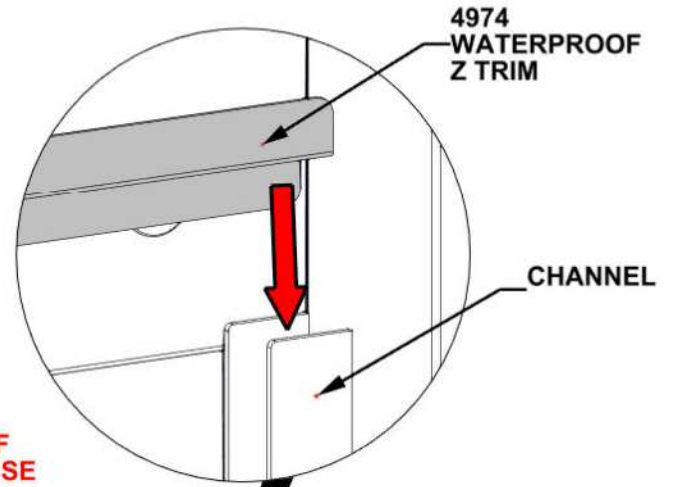
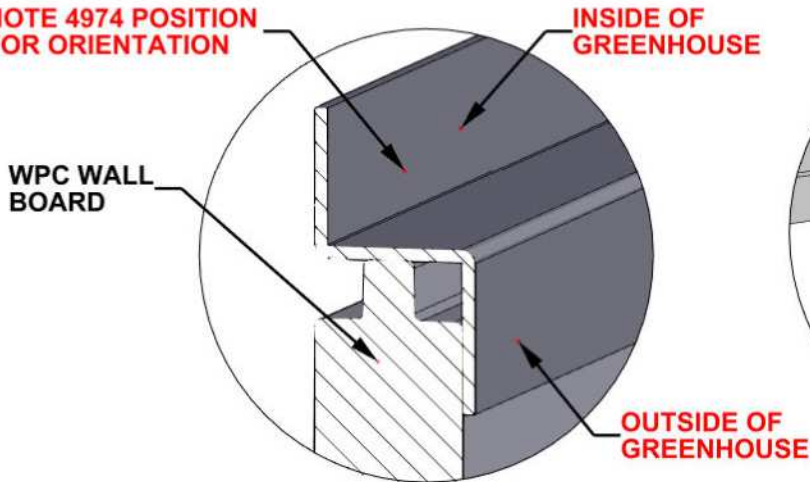
# STEP 45 - BACK WALL ASSEMBLY



4974 WATERPROOF Z TRIM - A4M04974  
(x4) 19 3/4"x7/16"x7/16" (10.80x11x502)

- INSERT 4974 INTO CHANNELS OF UPRIGHT AT TOP OF GREENHOUSE UNTIL SEATED ON THE WALL BOARDS.

**NOTE 4974 POSITION FOR ORIENTATION**



# STEP 46 - BACK WALL ASSEMBLY



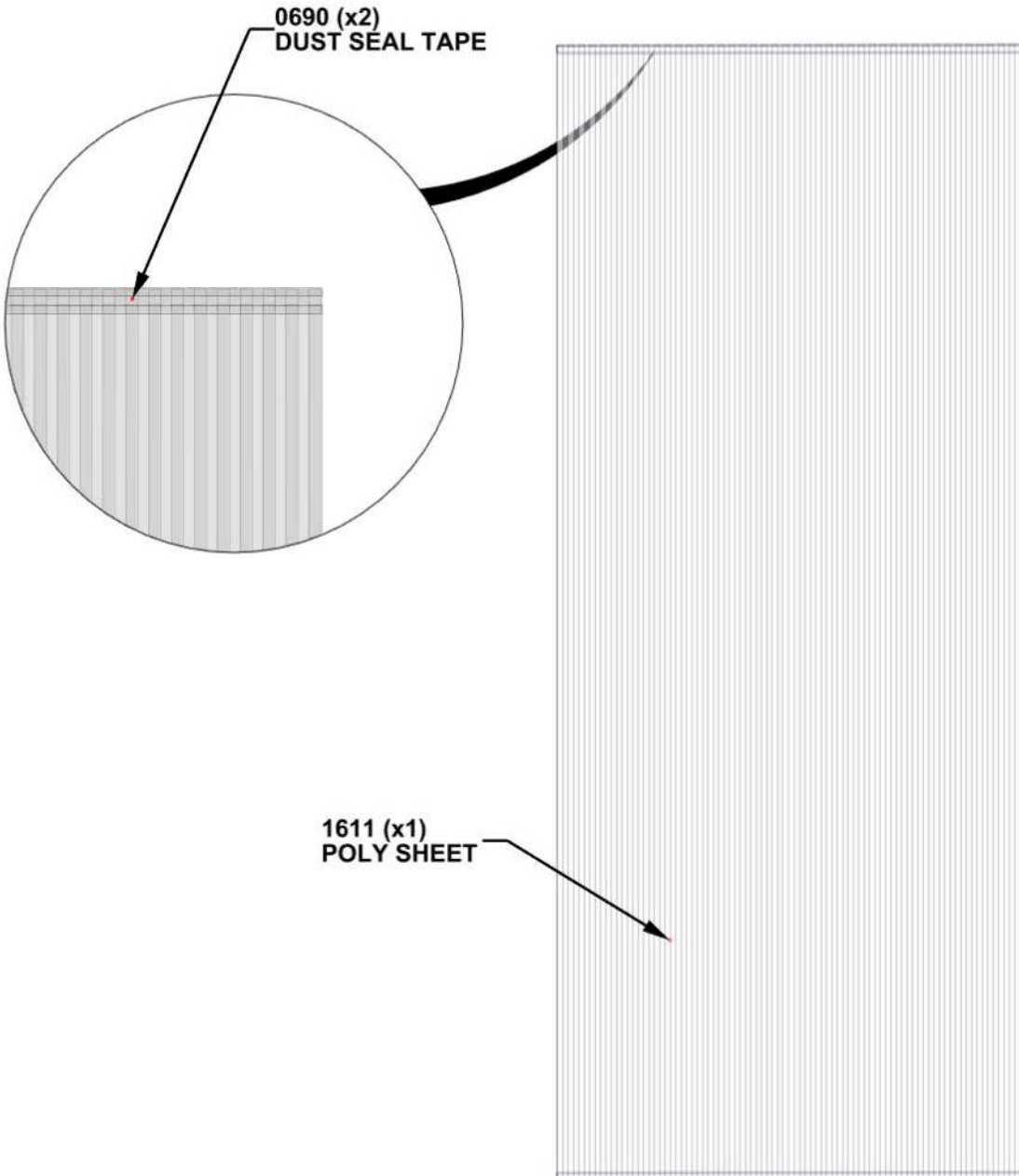
1611 POLY SHEET - A6P01611  
(x4) 48 1/8"x19 5/8"x3/8" (10x498x1223)



A6P00690 DUST SEAL TAPE

## TO APPLY DUST SEAL TAPE:

- CUT 2 STRIPS OF DUST SEAL TAPE THE SAME WIDTH AS THE POLY SHEET.
- WRAP DUST SEAL TAPE ALONG EDGE OF POLY SHEET WIDTH.
- REPEAT ON THE BOTTOM SIDE OF POLY SHEET.
- **REPEAT FOR 4 POLY SHEETS.**

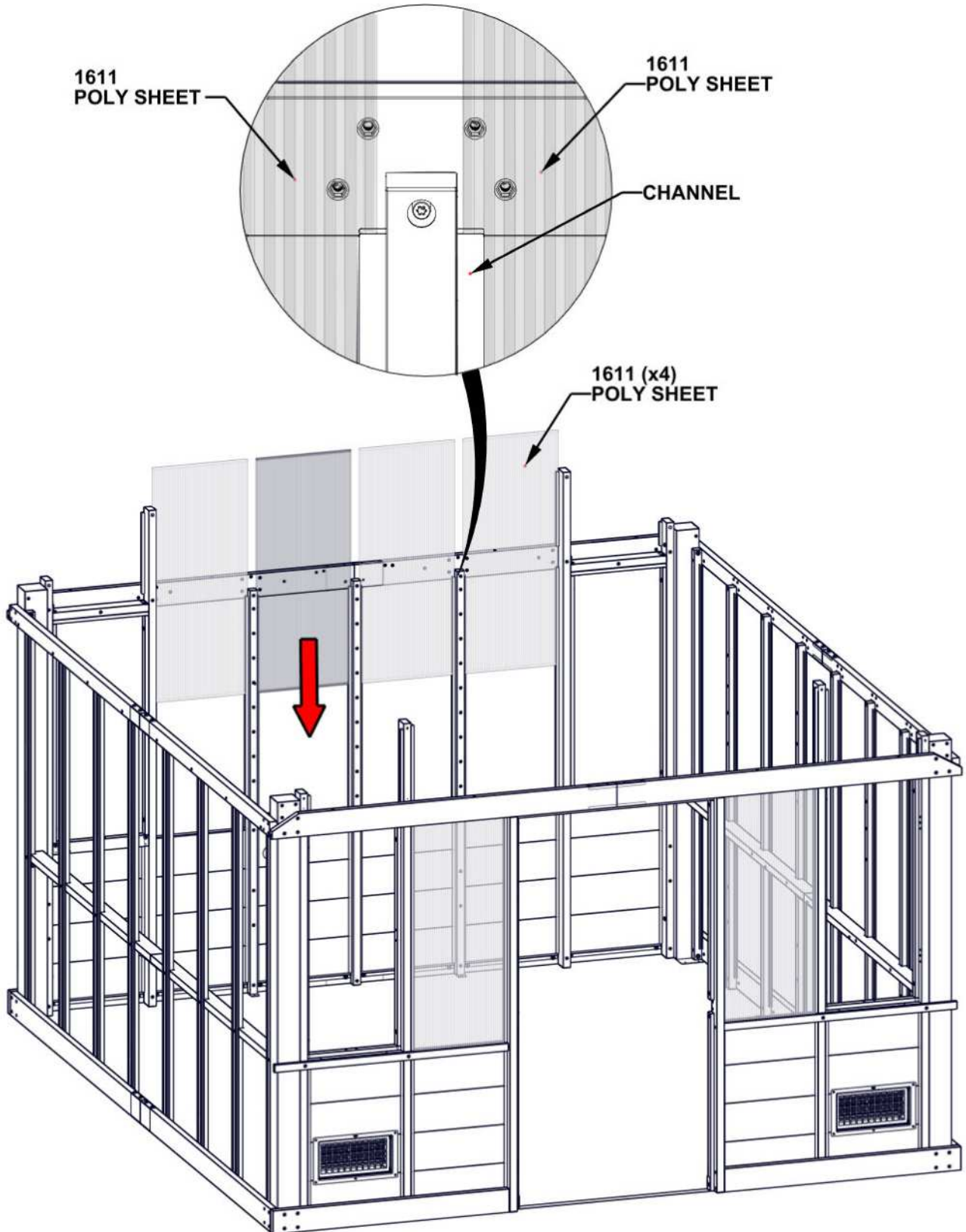


# STEP 47 - BACK WALL ASSEMBLY

**IMPORTANT!**

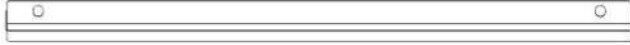
- ENSURE UV SIDE OF POLY SHEETS ARE FACING OUTSIDE.
- REMOVE THE PROTECTIVE FILM PRIOR TO INSTALLATION OF POLY SHEETS.

- INSERT POLY SHEETS INTO CHANNELS OF UPRIGHT.
- GENTLY SLIDE POLY SHEETS UNTIL SEATED ON INSTALLED WATERPROOF Z TRIMS.



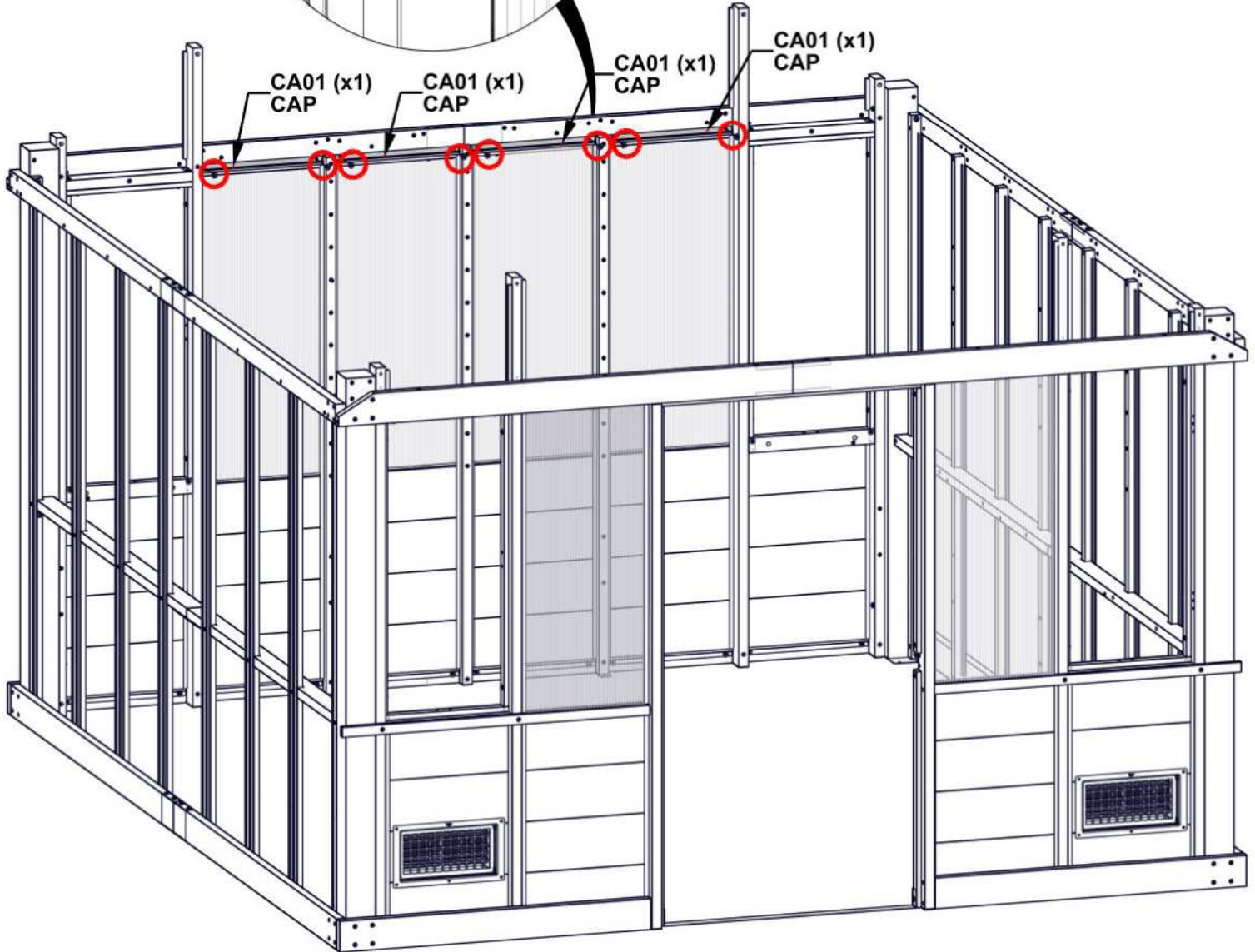
# STEP 48 - BACK WALL ASSEMBLY

QTY	PART NUMBER	DESCRIPTION
8	H101202	TORX PAN HEAD 1/4-20x3/4 ASSY



CA01 CAP - A4M05407  
(x4) 19 13/16"x1 1/4"x1/2" (12.8x32.2x503.8)

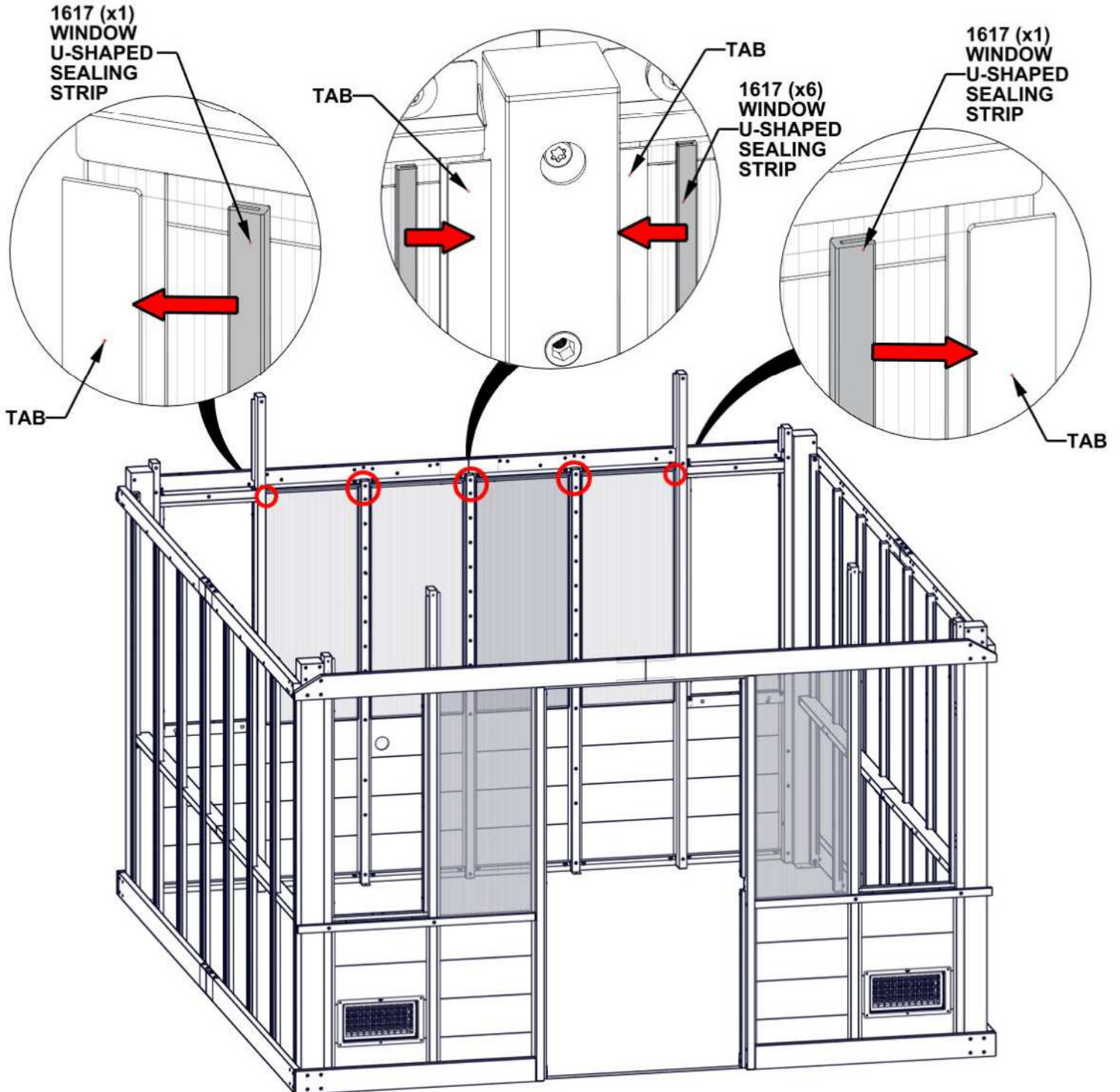
**- TIGHTEN ALL HARDWARE.**



# STEP 49 - BACK WALL ASSEMBLY

A6P01617 WINDOW U-SHAPED SEALING STRIP  
(x1)

- CUT 8 STRIPS OF SEALING STRIP THE SAME HEIGHT AS THE TAB ON UPRIGHT.
- SLIDE SEALING STRIP ONTO THE TAB FACING OUTWARD ON UPRIGHT.

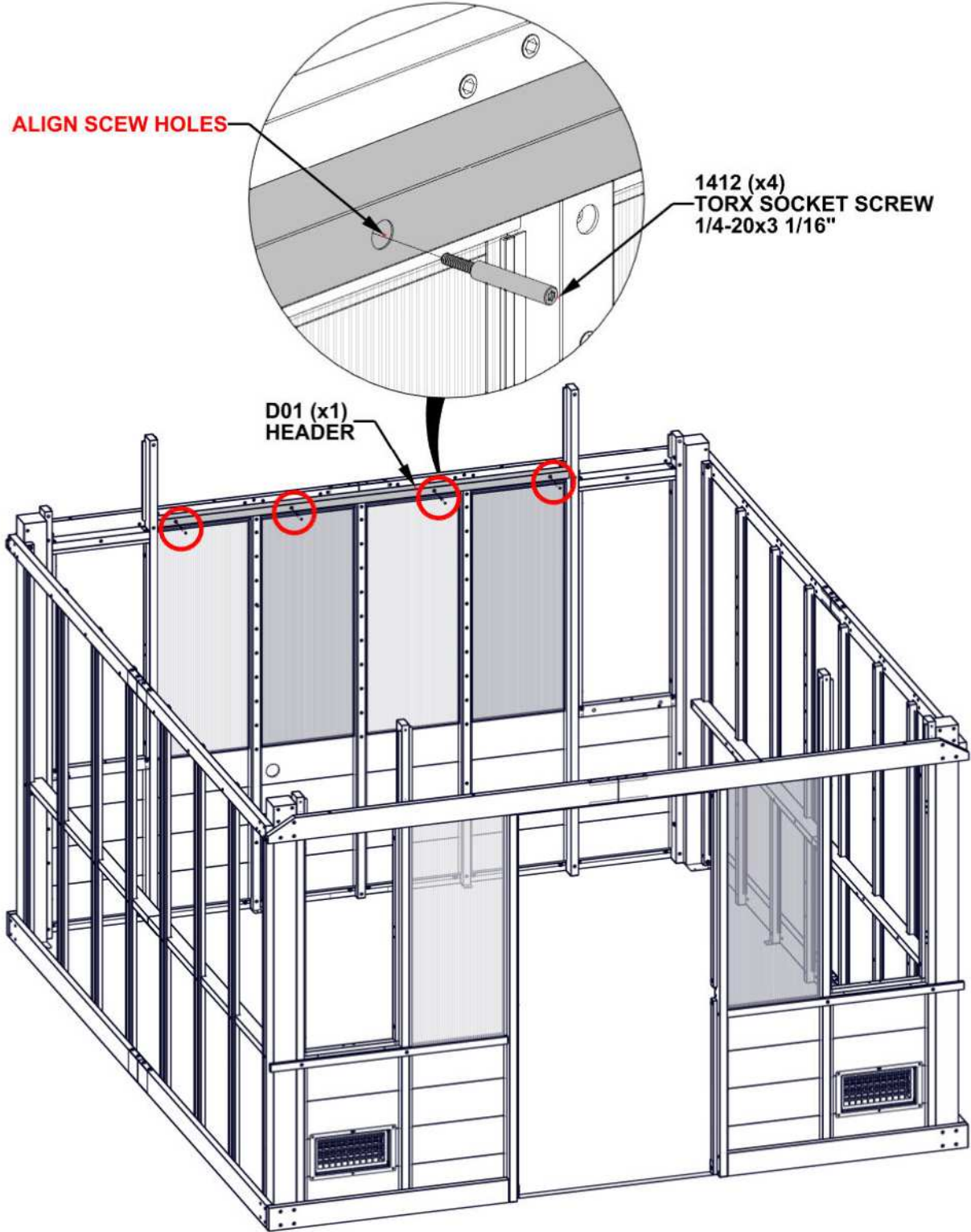


# STEP 50 - BACK WALL ASSEMBLY

QTY	PART NUMBER	DESCRIPTION
4	H101412	TORX SOCKET SCREW 1/4-20x3 1/16"



D01 HEADER - A4M05404  
(x1) 84 1/4"x2 3/8"x1 9/16" (40x60x2140)



# STEP 51 - BACK WALL ASSEMBLY

QTY	PART NUMBER	DESCRIPTION
27	H101132	TORX SOCKET SCREW SHORT 1/4-20



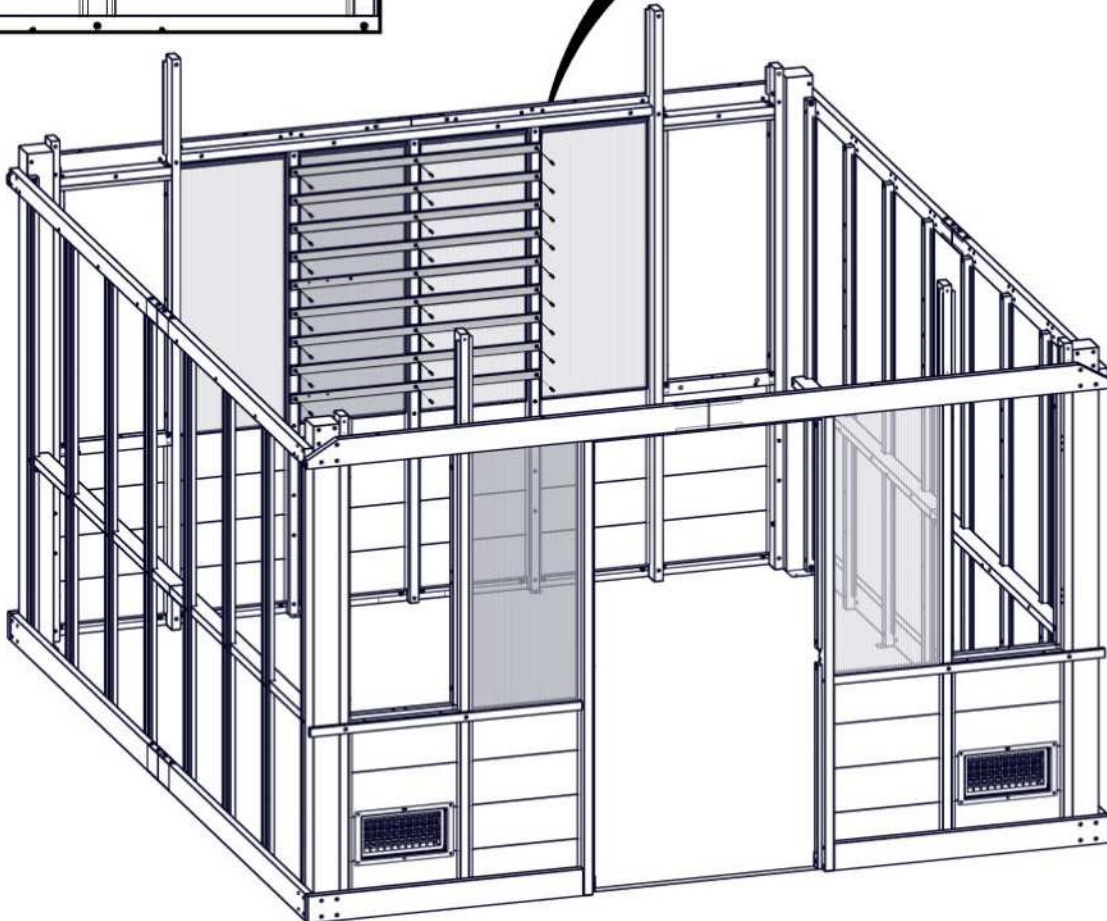
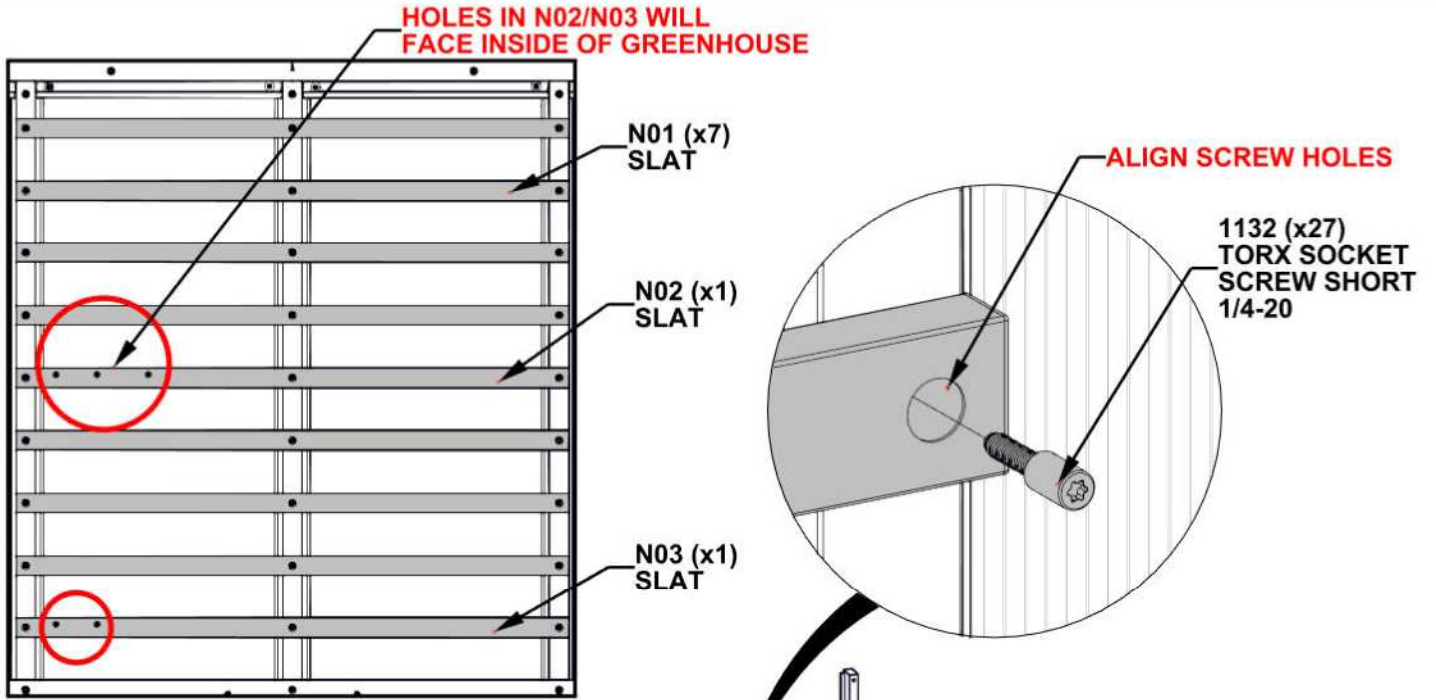
N01 SLAT - A4M05413  
(x7) 44 9/16"x1 9/16"x13/16" (20x40x1132)



N02 SLAT - A4M05029  
(x1) 44 9/16"x1 9/16"x13/16" (20x40x1132)



N03 SLAT - A4M05574  
(x1) 44 9/16"x1 9/16"x13/16" (20x40x1132)

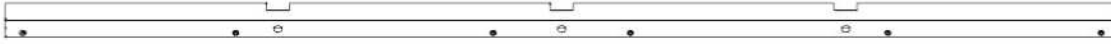


# STEP 52 - BACK WALL ASSEMBLY

QTY	PART NUMBER	DESCRIPTION
7	H101103	TORX SOCKET SCREW 1/4-20

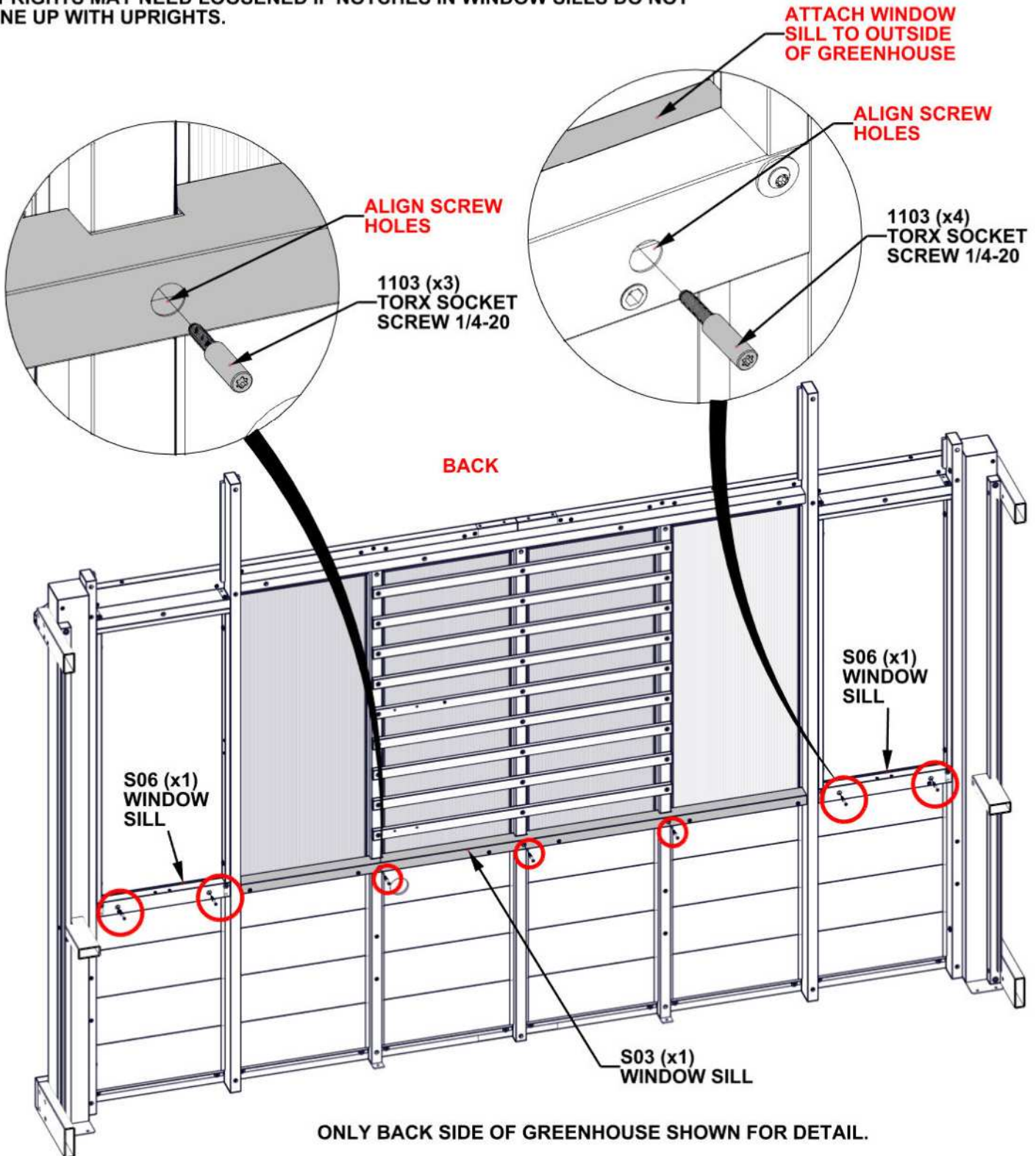


S06 WINDOW SILL - A4M04989  
(x2) 19 13/16"x1 9/16"x13/16" (20x40x504)



S03 WINDOW SILL - A4M04998  
(x1) 84 1/4"x2 3/8"x1 9/16" (40x60x2140)

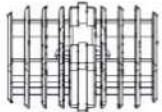
- UPRIGHTS MAY NEED LOOSENED IF NOTCHES IN WINDOW SILLS DO NOT LINE UP WITH UPRIGHTS.



# STEP 53A - BACK WALL ASSEMBLY

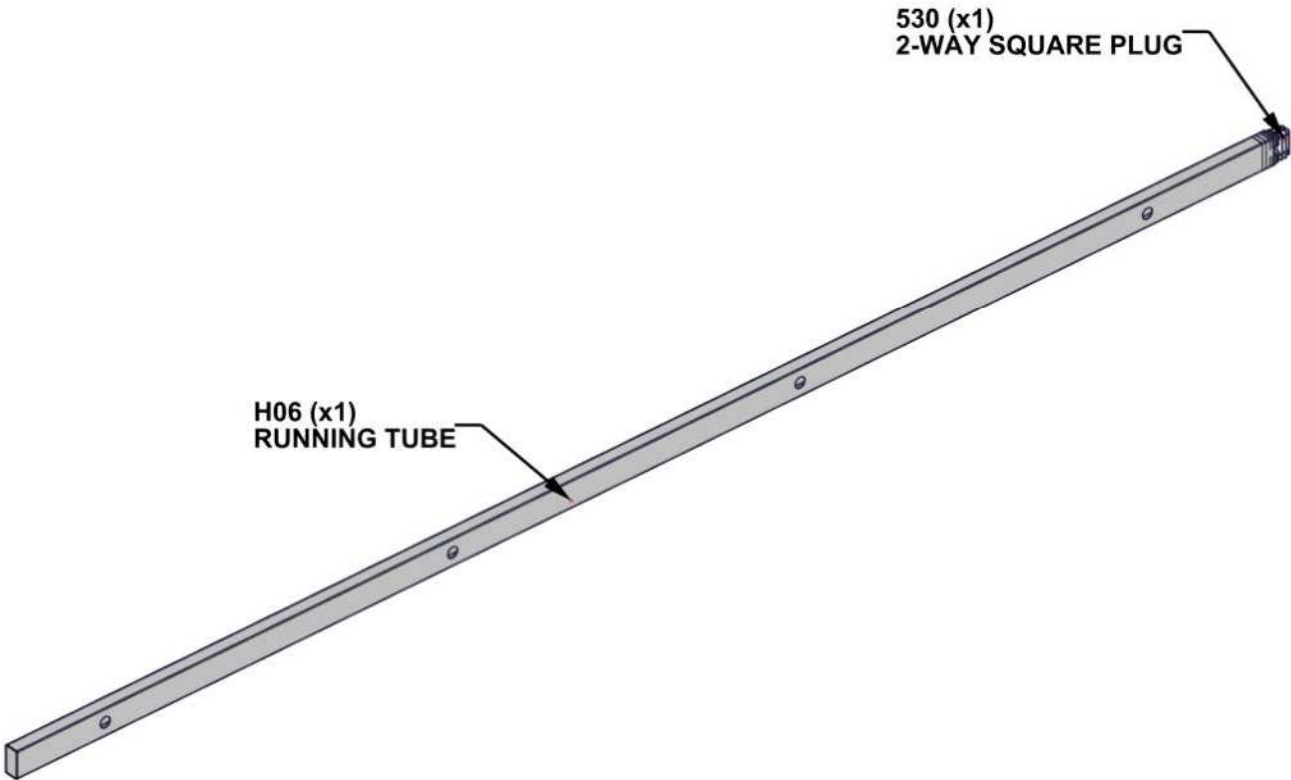


H06 RUNNING TUBE - A4M04986  
(x1) 77 13/16"x1 9/16"x13/16" (20x40x1977)



A6P00530 2-WAY SQUARE PLUG  
(x1)

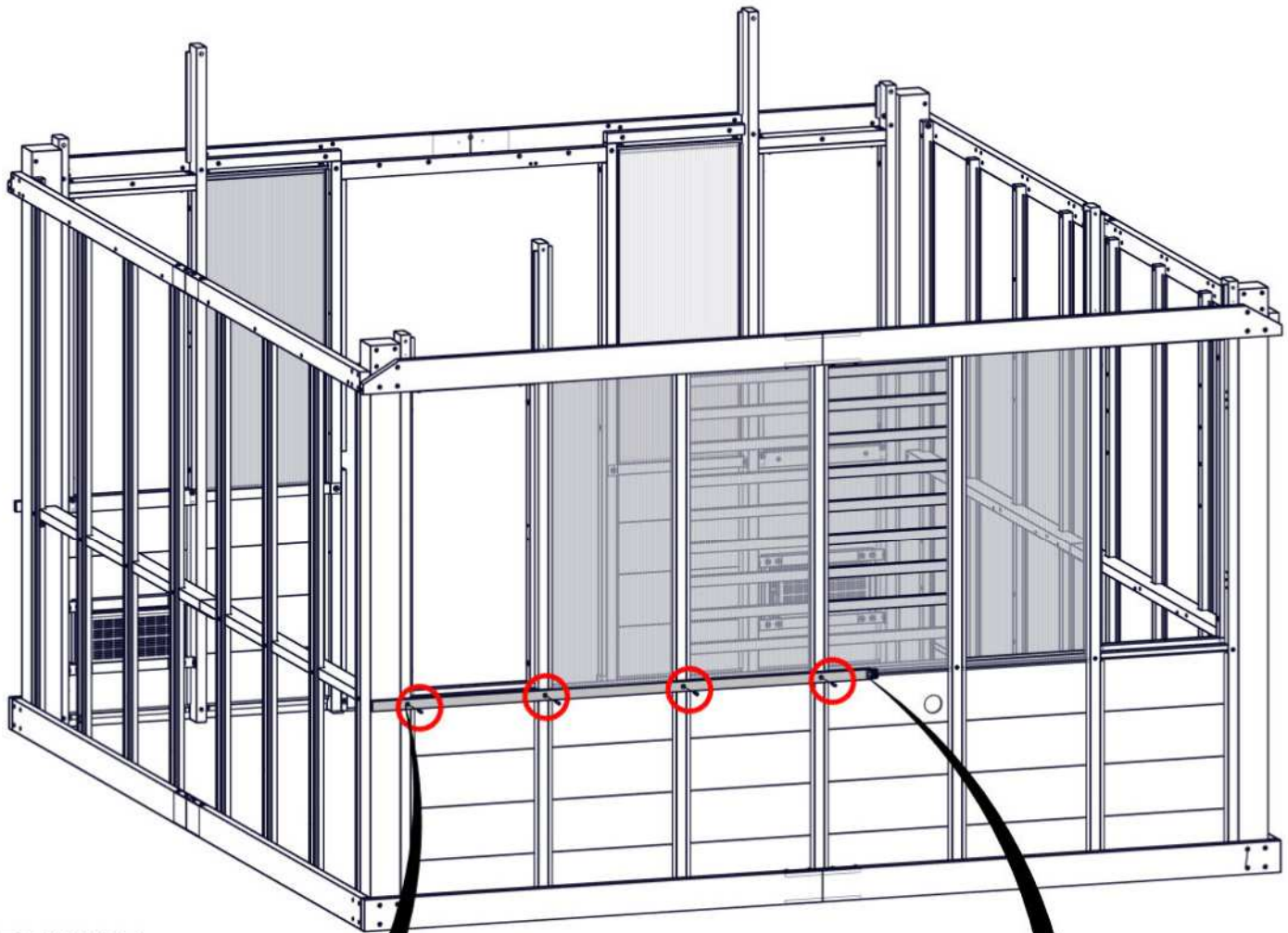
- USE A RUBBER MALLET TO TAP 2-WAY SQUARE PLUG INTO END OF TUBE.



# STEP 53B - BACK WALL ASSEMBLY



BACK WALL ASSEMBLY FROM STEP 53A



BACK WALL ASSEMBLY FROM STEP 53A

FLUSH

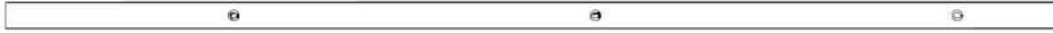
ALIGN SCREW HOLES

1132 (x4)  
TORX SOCKET  
SCREW SHORT 1/4-20

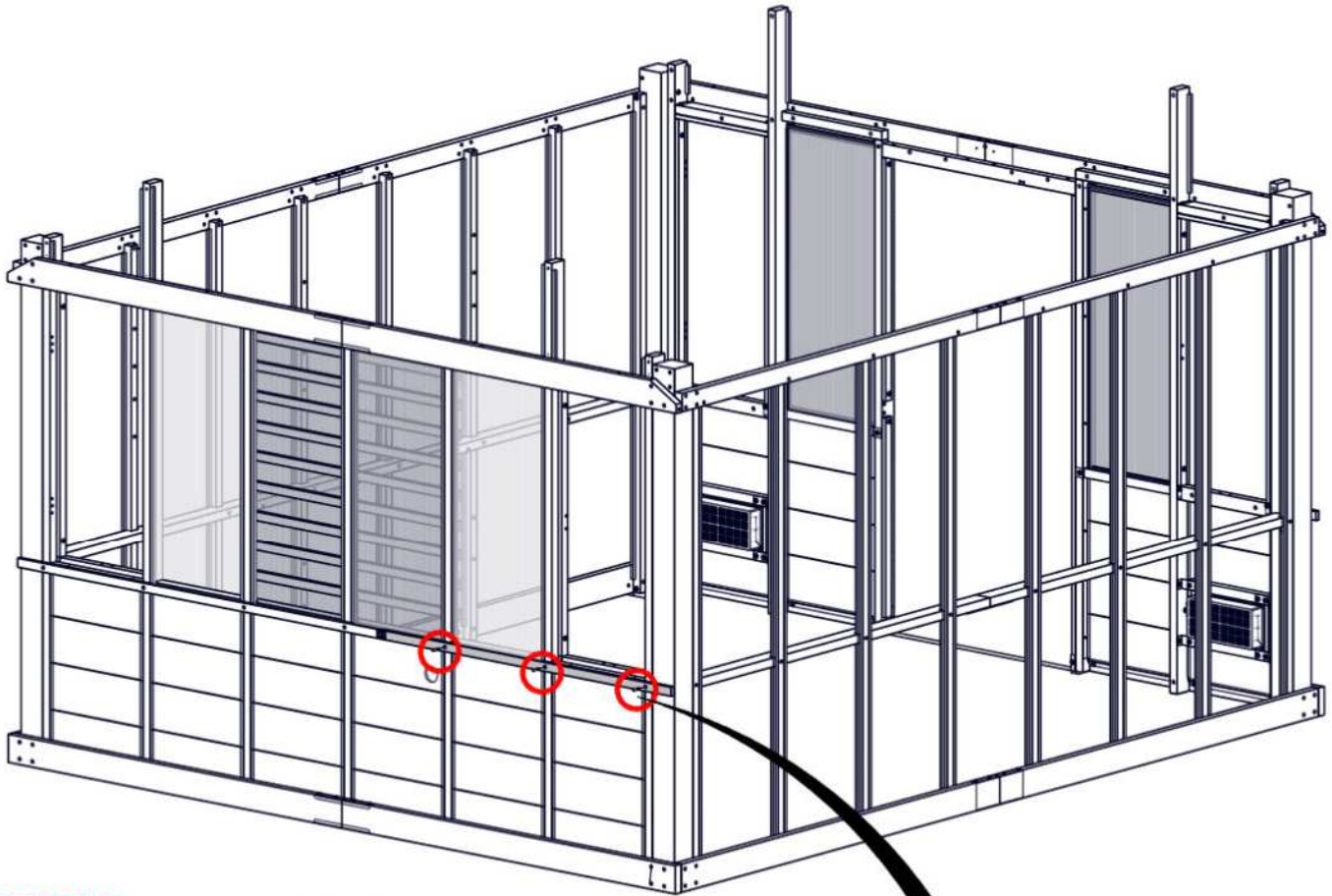
HOLE WILL  
FACE DOWN

# STEP 54A - BACK WALL ASSEMBLY

QTY	PART NUMBER	DESCRIPTION
3	H101132	TORX SOCKET SCREW SHORT 1/4-20

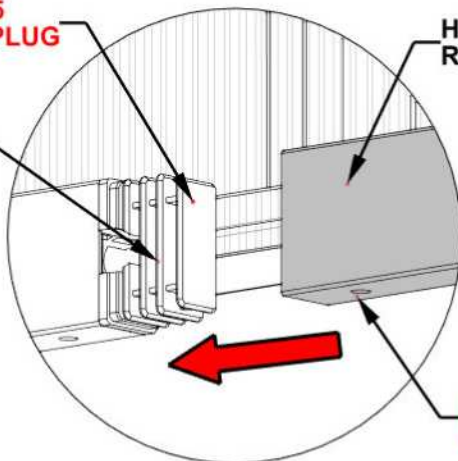


**H05 RUNNING TUBE - A4M04988**  
 (x1) 62 1/16"x1 9/16"x13/16" (20x40x1577)



**INSERT H05  
 ONTO 530 PLUG**

**530  
 2-WAY  
 SQUARE  
 PLUG**

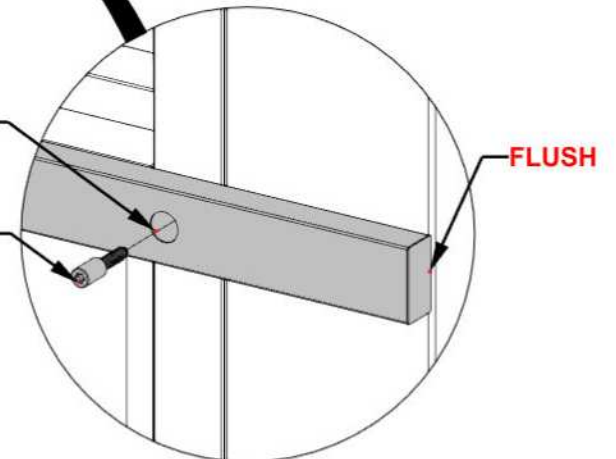


**H05 (x1)  
 RUNNING TUBE**

**ALIGN SCREW  
 HOLES**

**1132 (x3)  
 TORX SOCKET  
 SCREW SHORT  
 1/4-20**

**HOLE WILL  
 FACE DOWN**



**FLUSH**

# STEP 54B - BACK WALL ASSEMBLY



A6P01531 10 OZ SILICONE TUBE  
(x2)

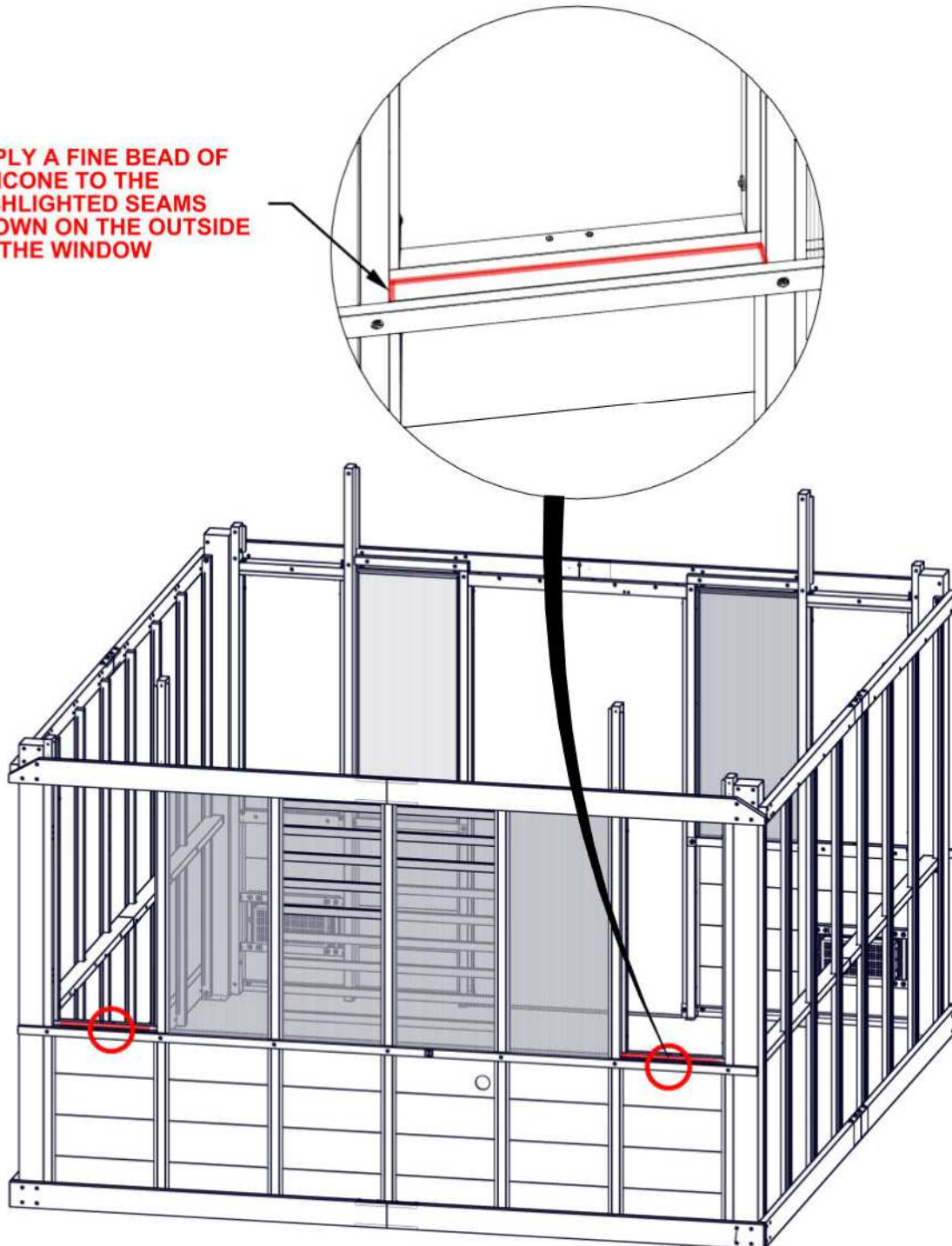


H101464 CAULK GUN  
(x1)

- APPLY A FINE BEAD OF SILICONE ALONG THE RED AREA ON WINDOW.
- SMOOTH SILICONE, WIPING EXCESS USING A RAG OR PAPER TOWEL.

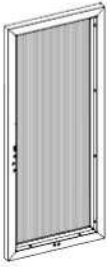
**TIP: GLOVES ARE RECOMMENDED WHEN APPLYING SILICONE.**

**APPLY A FINE BEAD OF SILICONE TO THE HIGHLIGHTED SEAMS SHOWN ON THE OUTSIDE OF THE WINDOW**



# STEP 55 - WINDOW ASSEMBLY

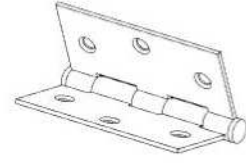
QTY	PART NUMBER	DESCRIPTION
12	H101492	PHILLIPS FLAT HEAD 1/4-20x3/4"
6	H101289	PAN HEAD SCREW 8-32x1/2" SS



WA02 WINDOW ASSEMBLY - A4M05307  
(x2) 45 7/8"x19 1/4"x1 9/16" (40x489x1166)

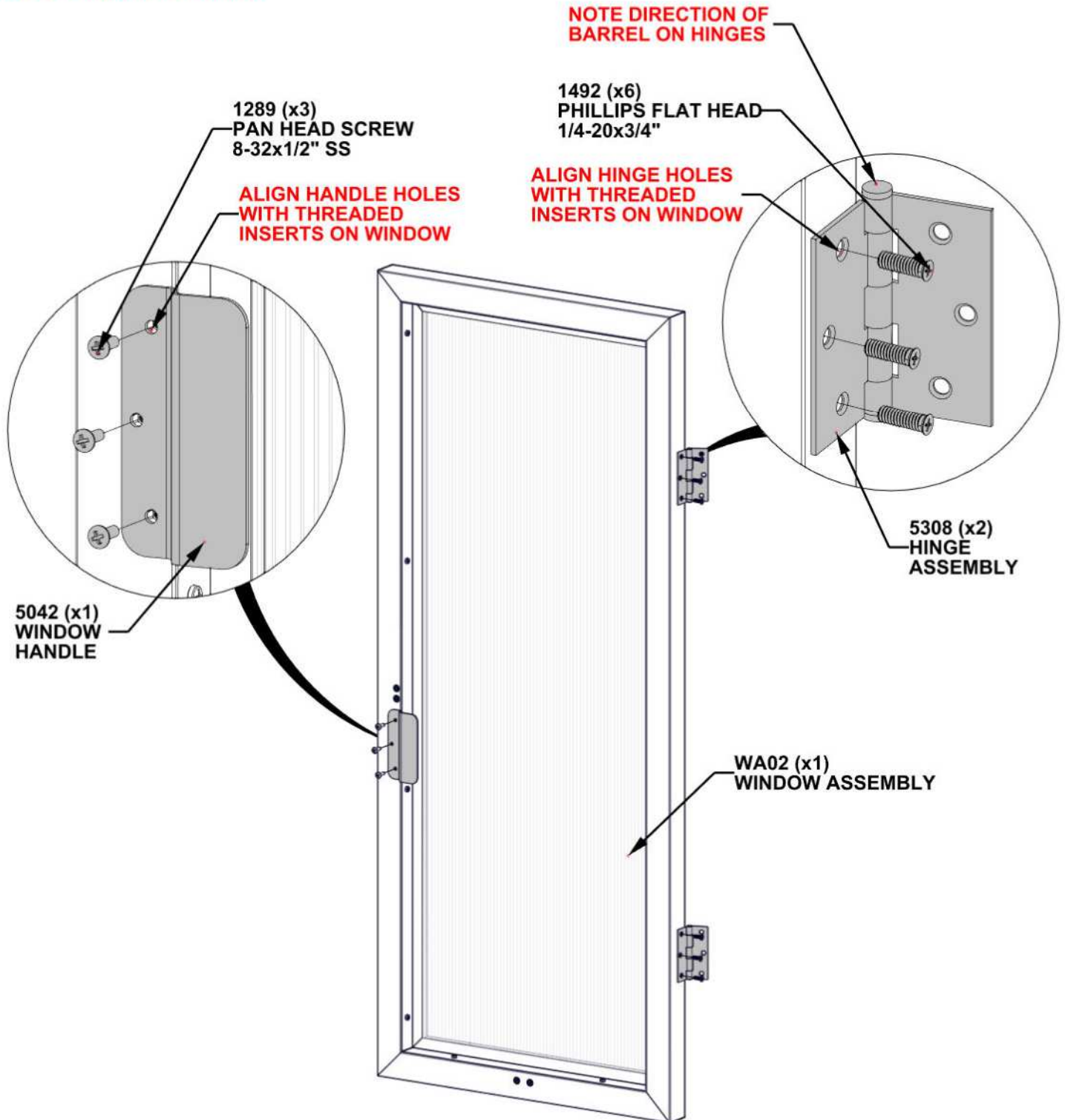


A4M05042 WINDOW HANDLE  
(x2)



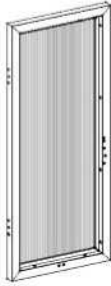
A4M05308 HINGE ASSEMBLY  
(x4)

**- REPEAT THIS STEP 2 TIMES.**



# STEP 56 - WINDOW ASSEMBLY

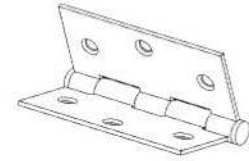
QTY	PART NUMBER	DESCRIPTION
12	H101492	PHILLIPS FLAT HEAD 1/4-20x3/4"
6	H101289	PAN HEAD SCREW 8-32x1/2" SS



WA03 WINDOW ASSEMBLY - A4M05027  
(x2) 45 7/8"x19 1/4"x1 9/16" (40x489x1166)

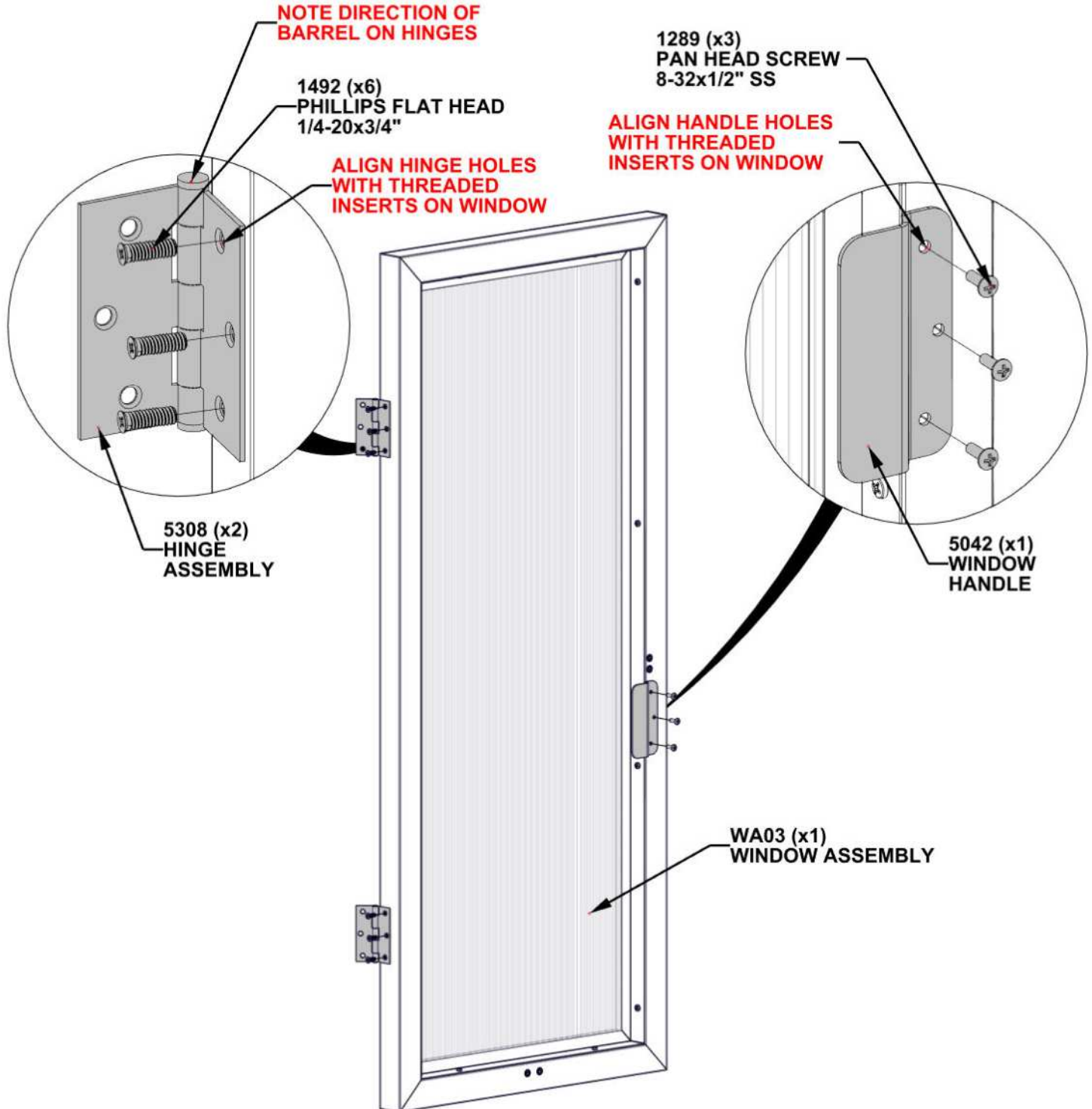


A4M05042 WINDOW HANDLE  
(x2)



A4M05308 HINGE ASSEMBLY  
(x4)

**- REPEAT THIS STEP 2 TIMES.**



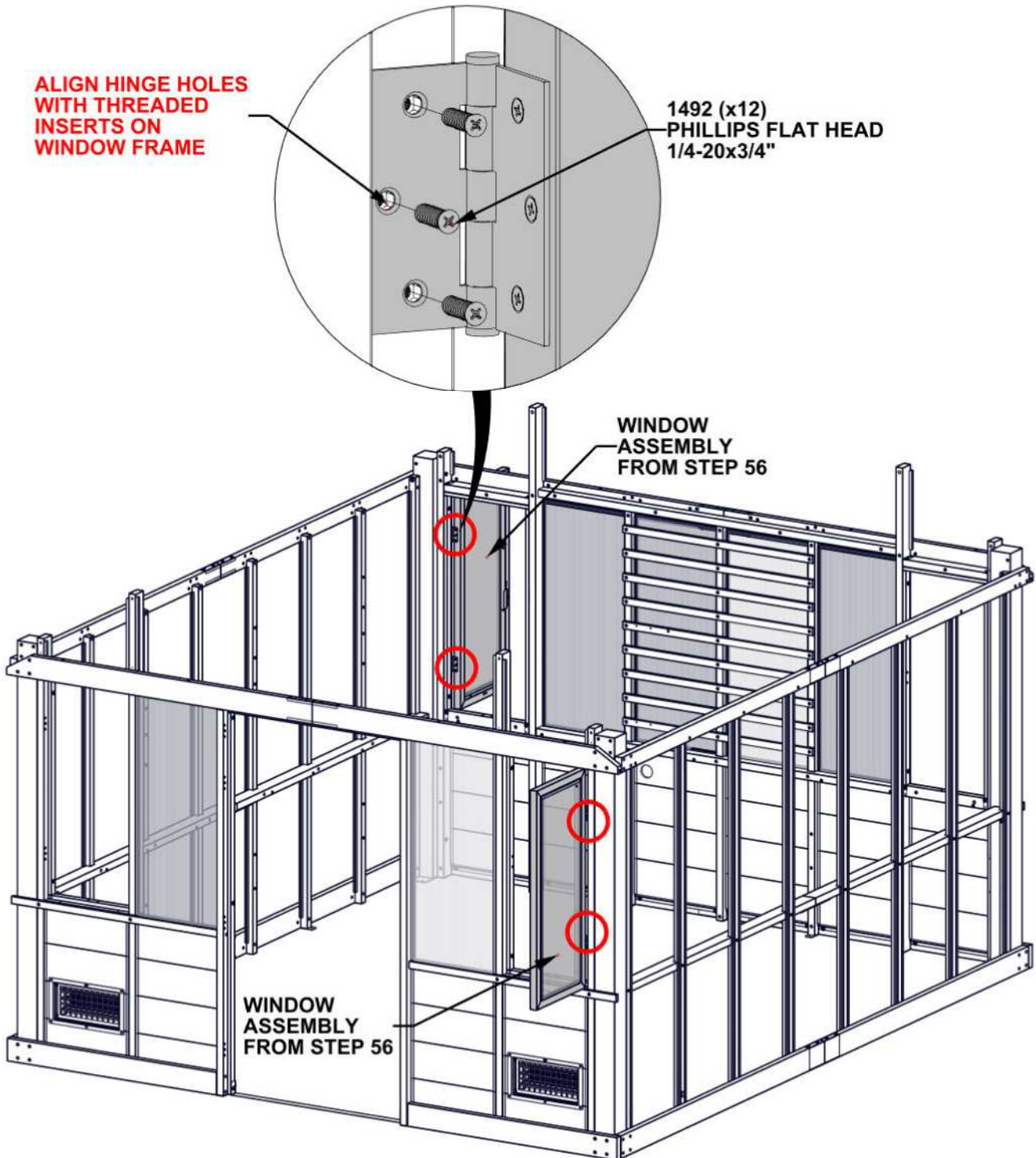
# STEP 57 - WINDOW ASSEMBLY



WINDOW ASSEMBLY FROM STEP 56

QTY	PART NUMBER	DESCRIPTION
12	H101492	PHILLIPS FLAT HEAD 1/4-20x3/4"

- LIFT WINDOW ASSEMBLY INTO PLACE AND ATTACH AS SHOWN.



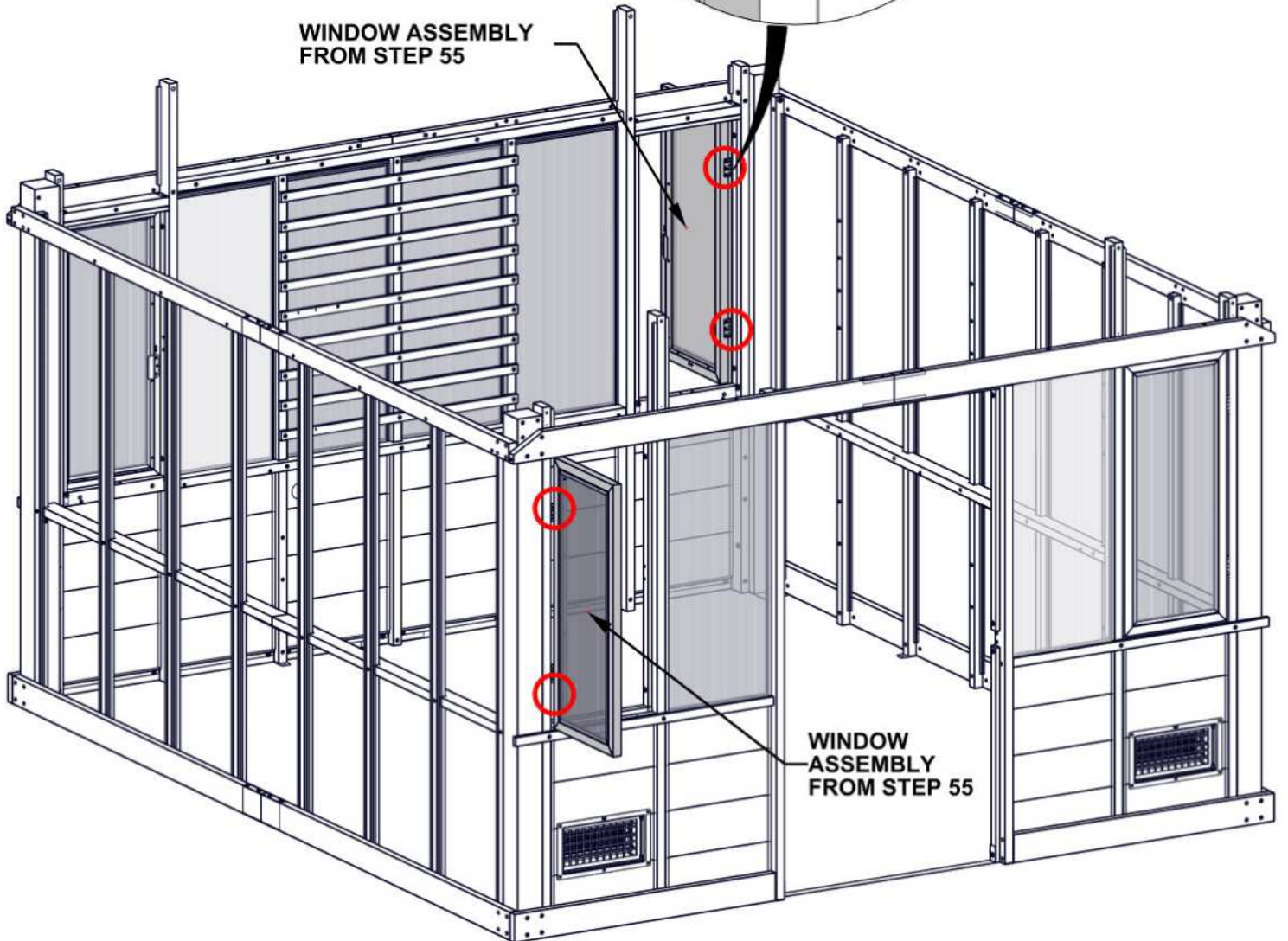
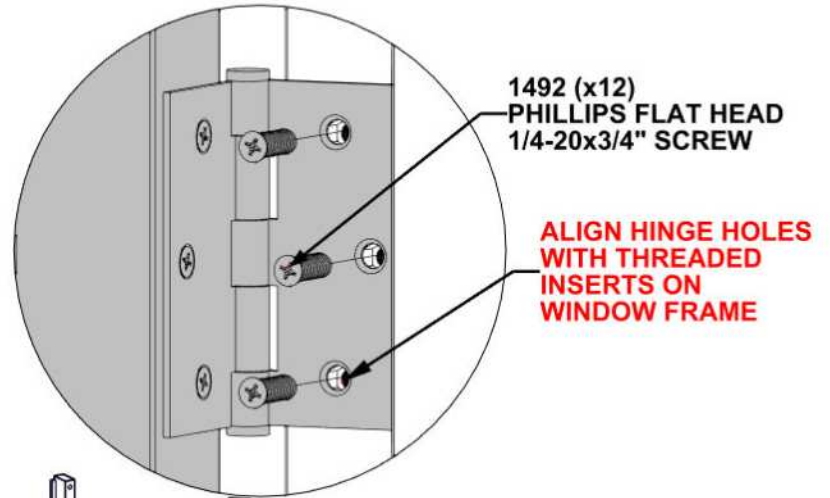
# STEP 58 - WINDOW ASSEMBLY



WINDOW ASSEMBLY FROM STEP 55

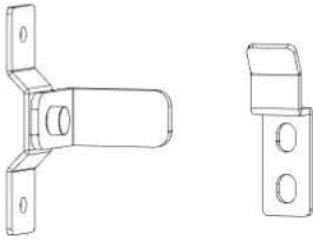
QTY	PART NUMBER	DESCRIPTION
12	H101492	PHILLIPS FLAT HEAD 1/4-20x3/4" SCREW

- LIFT WINDOW ASSEMBLY INTO PLACE AND ATTACH AS SHOWN.



# STEP 59 - WINDOW ASSEMBLY

QTY	PART NUMBER	DESCRIPTION
8	H101289	PAN HEAD SCREW 8-32x1/2" SS



A4M05565 WINDOW LATCH LOCK  
(x2)

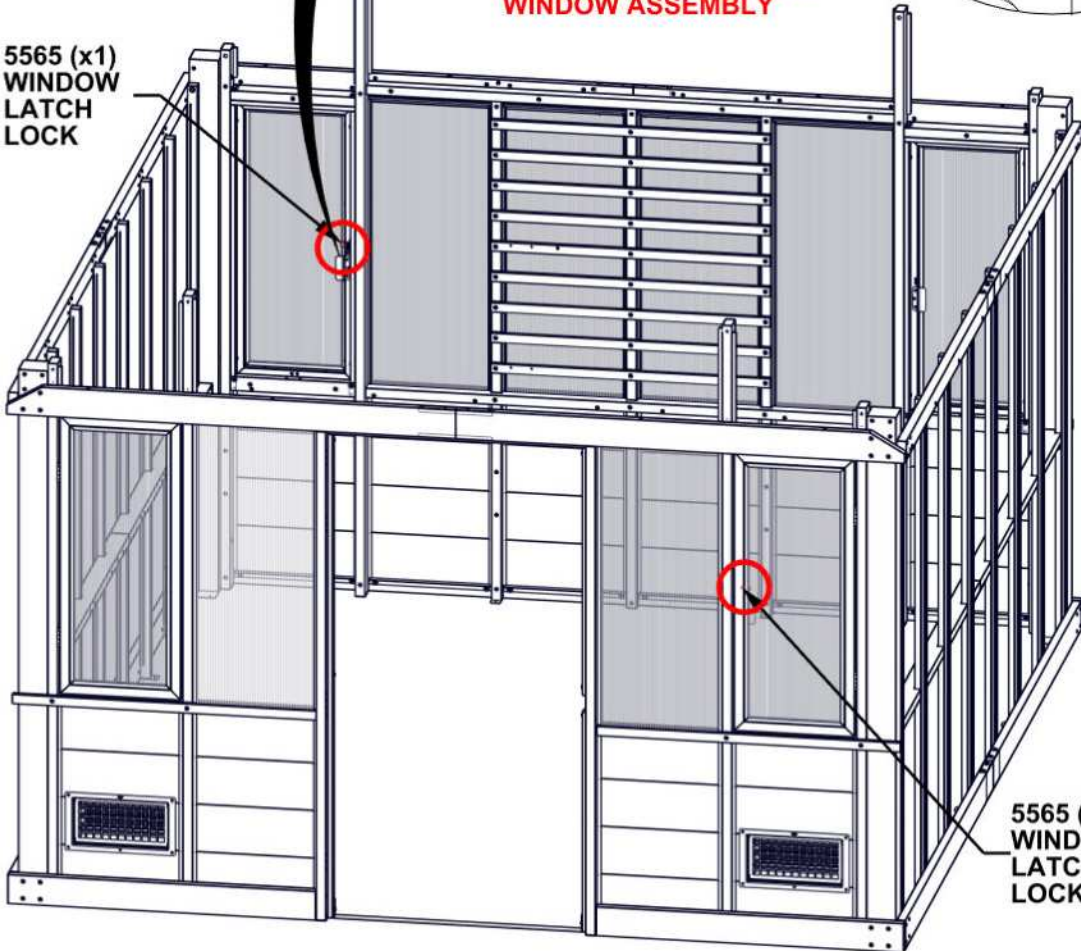
**ALIGN LOCK HOLES WITH  
THREADED INSERTS ON  
WINDOW FRAME**

1289 (x4)  
PAN HEAD SCREW  
8-32x1/2" SS

1289 (x4)  
PAN HEAD SCREW  
8-32x1/2" SS

**ALIGN LOCK HOLES WITH  
THREADED INSERTS ON  
WINDOW ASSEMBLY**

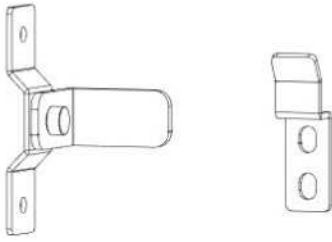
5565 (x1)  
WINDOW  
LATCH  
LOCK



5565 (x1)  
WINDOW  
LATCH  
LOCK

# STEP 60 - WINDOW ASSEMBLY

QTY	PART NUMBER	DESCRIPTION
8	H101289	PAN HEAD SCREW 8-32x1/2" SS



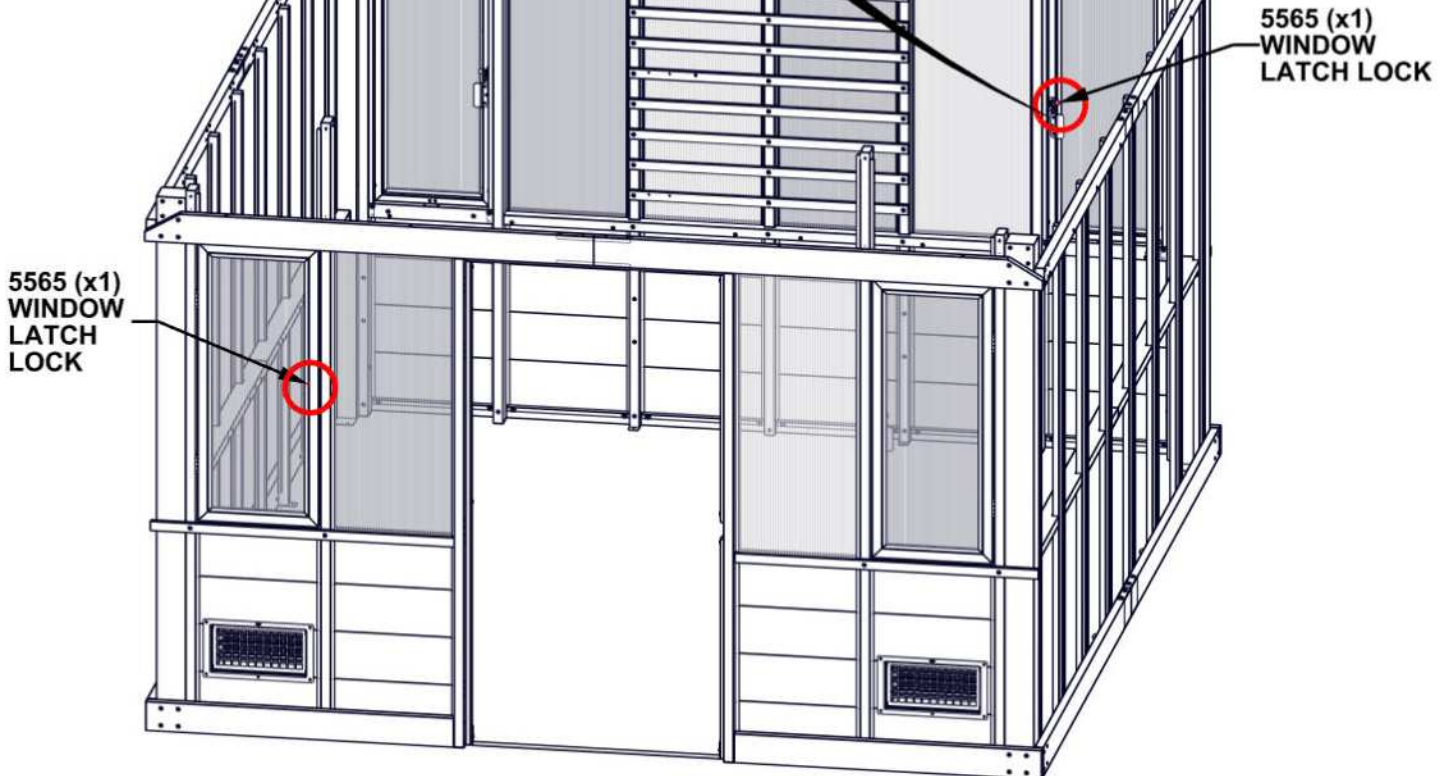
A4M05565 WINDOW LATCH LOCK  
(x2)

ALIGN LOCK HOLES WITH  
THREADED INSERTS ON  
WINDOW ASSEMBLY

1289 (x4)  
PAN HEAD SCREW  
8-32x1/2" SS

ALIGN LOCK HOLES WITH  
THREADED INSERTS ON  
WINDOW FRAME

1289 (x4)  
PAN HEAD SCREW  
8-32x1/2" SS

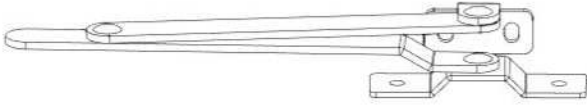


5565 (x1)  
WINDOW  
LATCH  
LOCK

5565 (x1)  
WINDOW  
LATCH  
LOCK

# STEP 61 - WINDOW ASSEMBLY

QTY	PART NUMBER	DESCRIPTION
16	H101289	PAN HEAD SCREW 8-32x1/2" SS



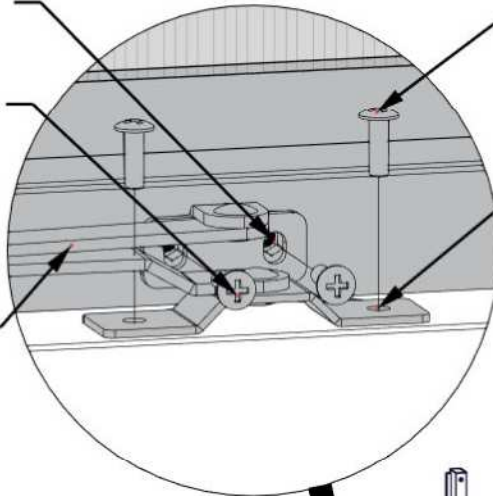
A4M05406 SUPPORT HINGE  
(x4)

- ATTACH SUPPORT HINGE USING THREADED INSERTS IN WINDOW ASSEMBLY AND WINDOW SILL AS SHOWN.
- REPEAT FOR FOUR WINDOWS ON BACK AND FRONT.

**ALIGN HINGE HOLES WITH  
THREADED INSERTS ON  
WINDOW ASSEMBLY**

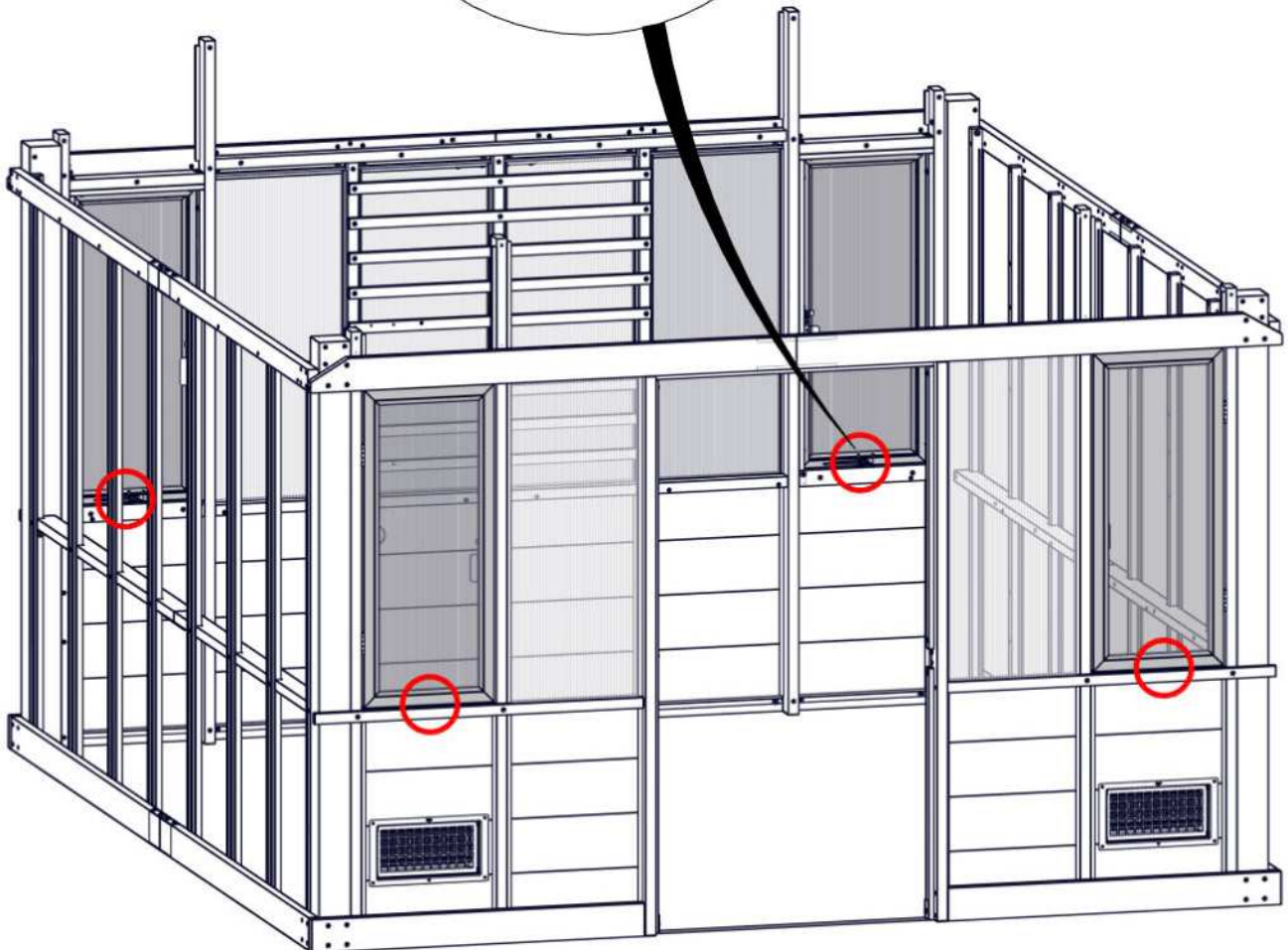
1289 (x2)  
PAN HEAD SCREW  
8-32x1/2" SS

5406 (x1)  
SUPPORT HINGE



1289 (x2)  
PAN HEAD SCREW  
8-32x1/2" SS

**ALIGN HINGE HOLES WITH  
THREADED INSERTS ON  
WINDOW SILL**



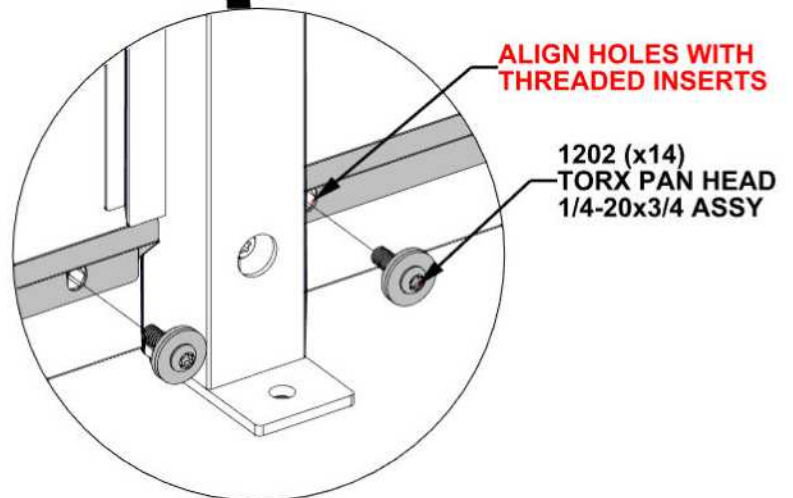
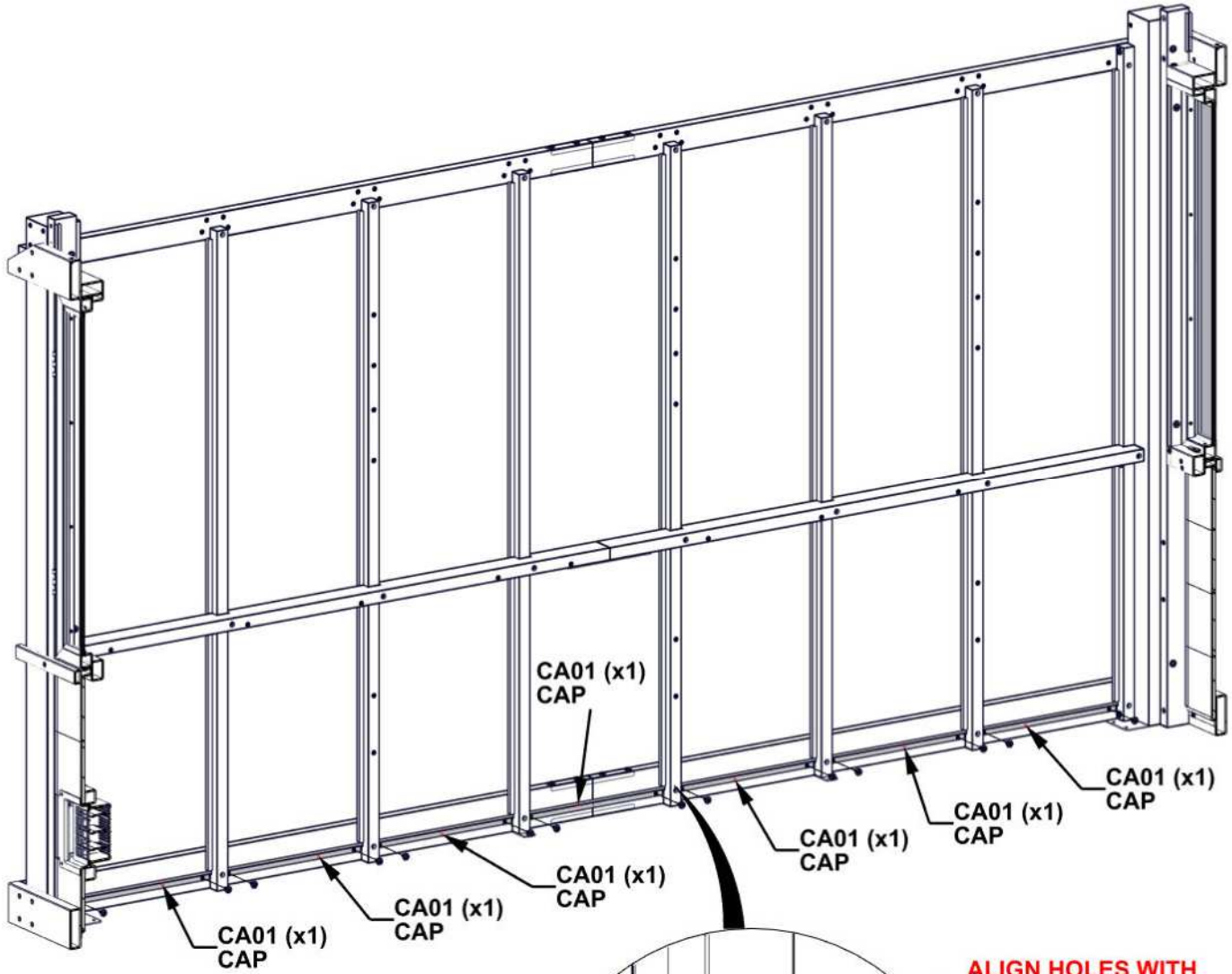
# STEP 62 - SIDE WALL ASSEMBLY

QTY	PART NUMBER	DESCRIPTION
14	H101202	TORX PAN HEAD 1/4-20x3/4 ASSY



CA01 CAP - A4M05407  
 (x7) 19 13/16"x1 1/4"x1/2" (12.8x32.2x503.8)

**- HAND TIGHTEN ONLY.**



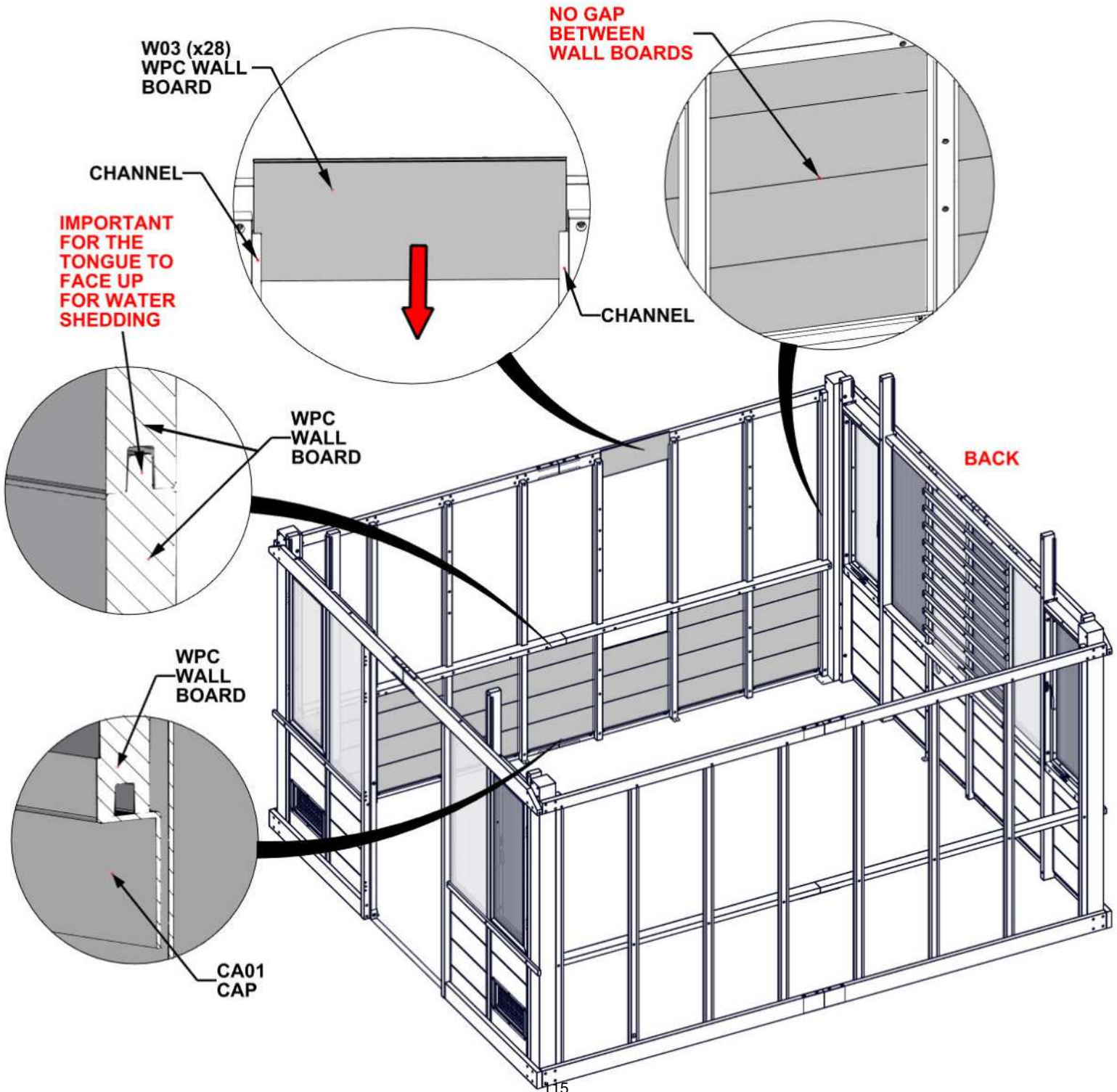
ONLY SIDE OF GREENHOUSE SHOWN FOR DETAIL.

# STEP 63 - SIDE WALL ASSEMBLY

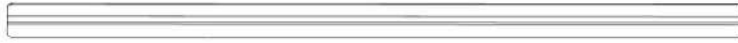


W03 WPC WALL BOARD - A5C00017  
(x28) 3/8"x8 1/16"x19 11/16" (10x204x500)

- INSERT WPC WALL BOARDS INTO CHANNELS OF UPRIGHT AT TOP OF GREENHOUSE.
- PUSH THE WALL BOARDS UNTIL THERE IS NO GAP BETWEEN THEM.
- ENSURE BOTTOM WALL BOARD RESTS INSIDE BOTTOM CAP.

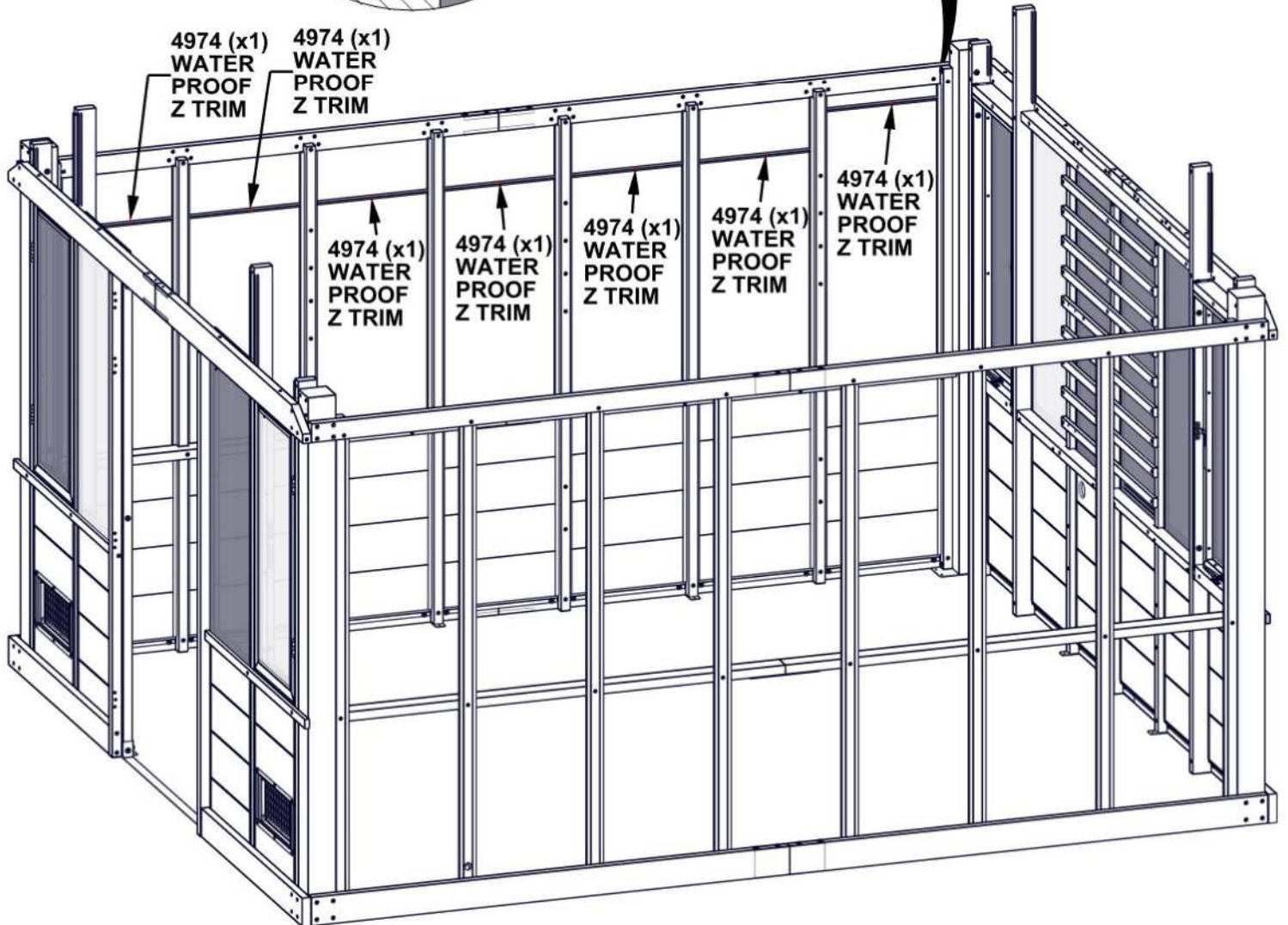
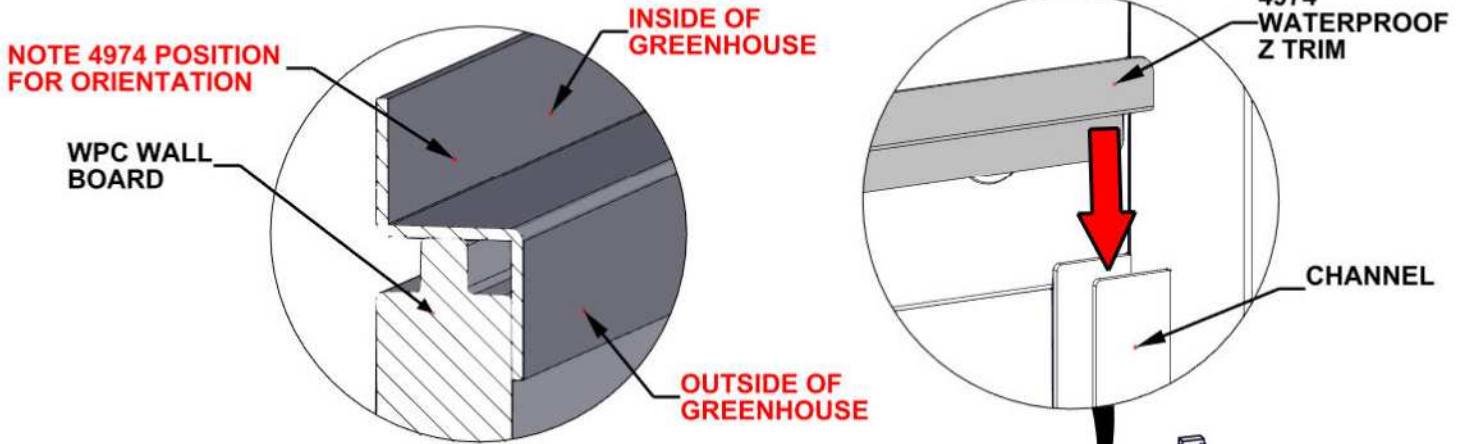


# STEP 64 - SIDE WALL ASSEMBLY



4974 WATERPROOF Z TRIM - A4M04974  
(x7) 19 3/4"x7/16"x7/16" (10.80x11x502)

- INSERT 4974 INTO CHANNELS OF UPRIGHT AT TOP OF GREENHOUSE UNTIL SEATED ON THE WALL BOARDS.



# STEP 65 - SIDE WALL ASSEMBLY



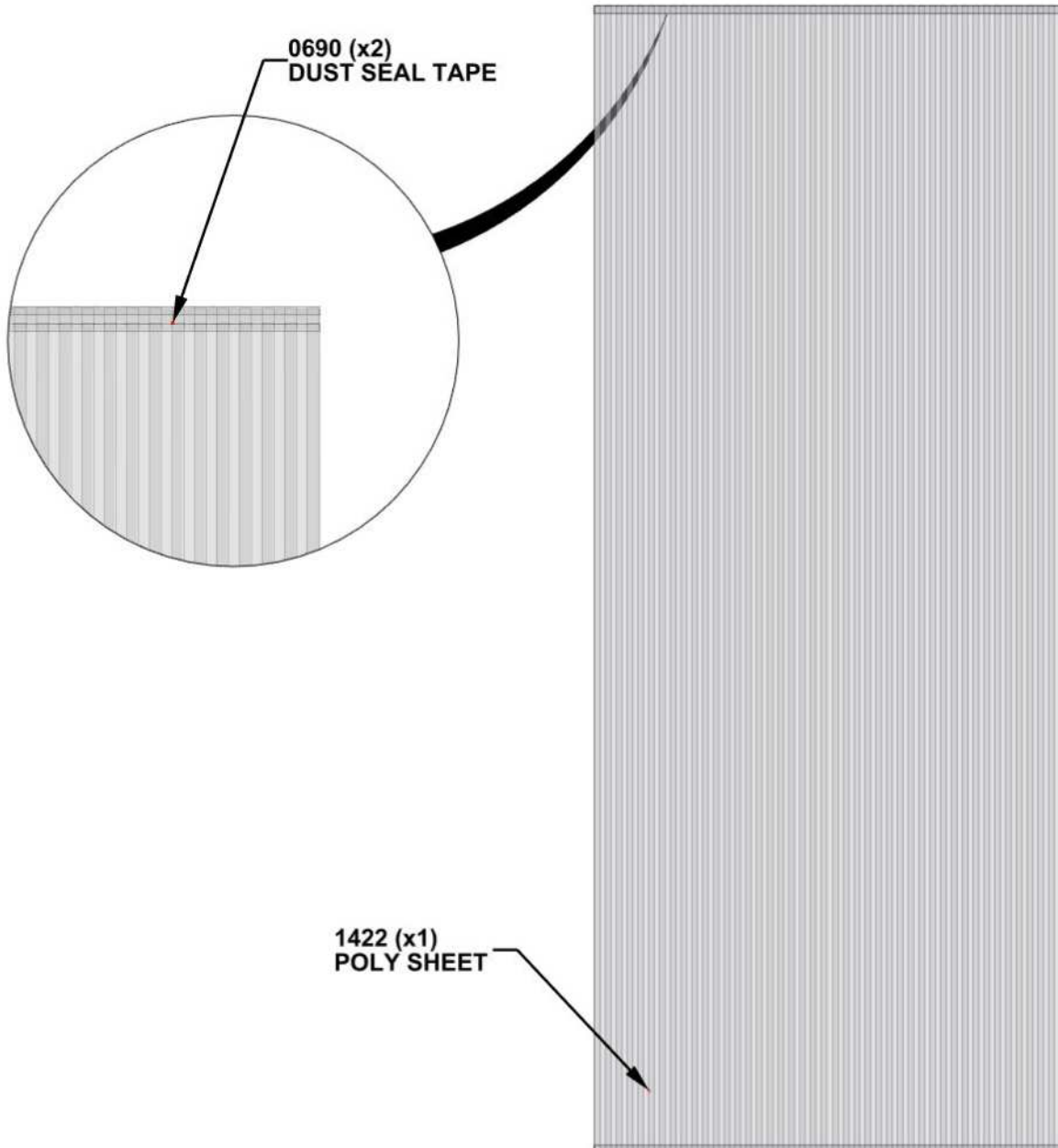
1422 POLY SHEET - A6P01422  
(x7) 47 5/8"x19 5/8"x3/8" (10x498x1210)



A6P00690 DUST SEAL TAPE

## TO APPLY DUST SEAL TAPE:

- CUT 2 STRIPS OF DUST SEAL TAPE THE SAME WIDTH AS THE POLY SHEET.
- WRAP DUST SEAL TAPE ALONG EDGE OF POLY SHEET WIDTH.
- REPEAT ON THE BOTTOM SIDE OF POLY SHEET.
- **REPEAT FOR 7 POLY SHEETS.**

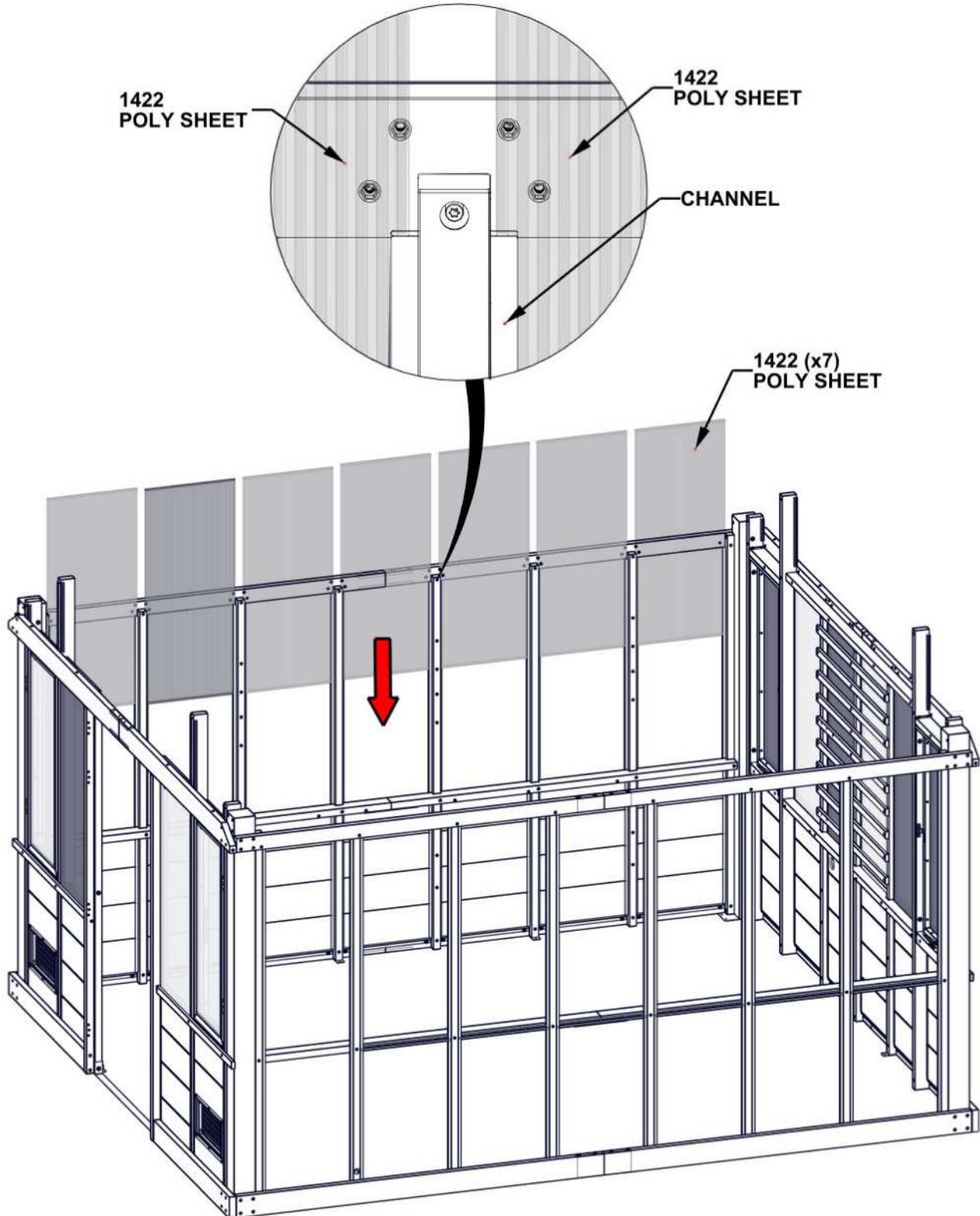


# STEP 66 - SIDE WALL ASSEMBLY

## IMPORTANT!

- ENSURE UV SIDE OF POLY SHEETS ARE FACING OUTSIDE.
- REMOVE THE PROTECTIVE FILM PRIOR TO INSTALLATION OF POLY SHEETS.

- INSERT POLY SHEETS INTO CHANNELS OF UPRIGHT.
- GENTLY SLIDE POLY SHEETS UNTIL SEATED ON INSTALLED WATERPROOF Z TRIMS.



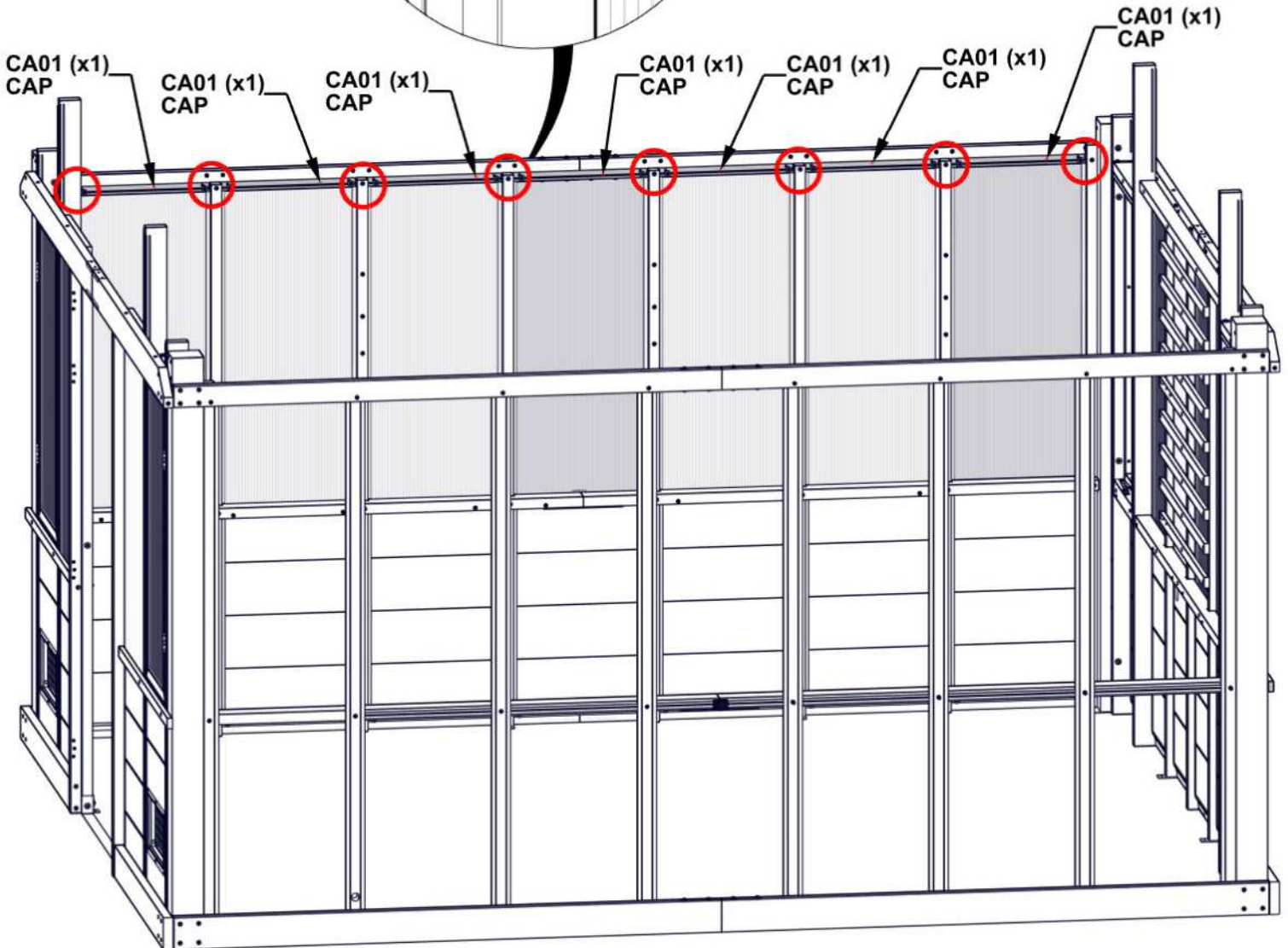
# STEP 67 - SIDE WALL ASSEMBLY

QTY	PART NUMBER	DESCRIPTION
14	H101202	TORX PAN HEAD 1/4-20x3/4 ASSY



CA01 CAP - A4M05407  
(x7) 19 13/16"x1 1/4"x1/2" (12.8x32.2x503.8)

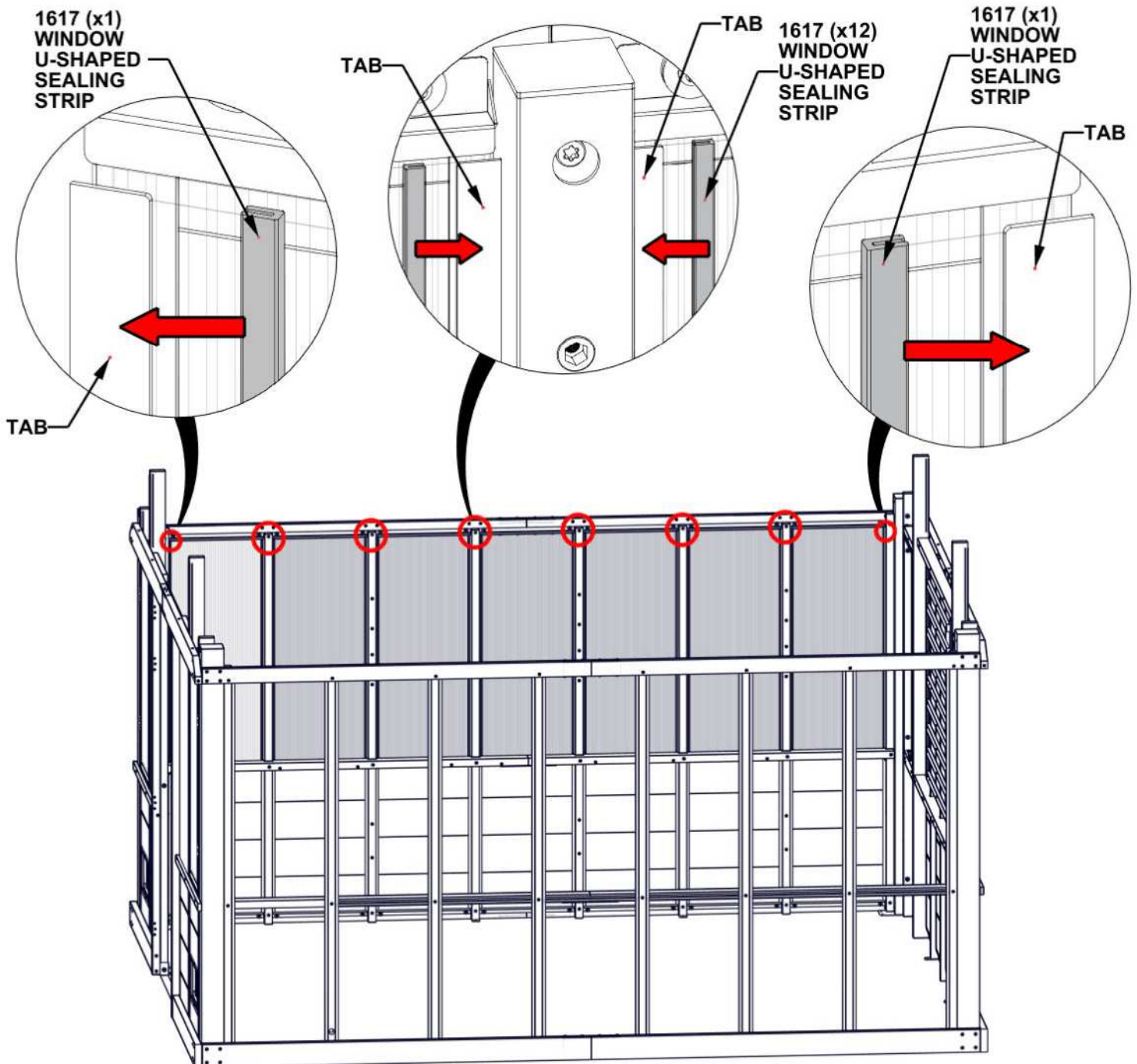
**- TIGHTEN ALL HARDWARE.**



# STEP 68 - SIDE WALL ASSEMBLY

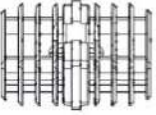
A6P01617 WINDOW U-SHAPED SEALING STRIP  
(x1)

- CUT 14 STRIPS OF SEALING STRIP THE SAME HEIGHT AS THE TAB ON UPRIGHT.
- SLIDE SEALING STRIP ONTO THE TAB FACING OUTWARD ON UPRIGHT.



**REPEAT SIDE WALL ASSEMBLY STEPS 62 - 68  
ON OPPOSITE SIDE OF GREENHOUSE**

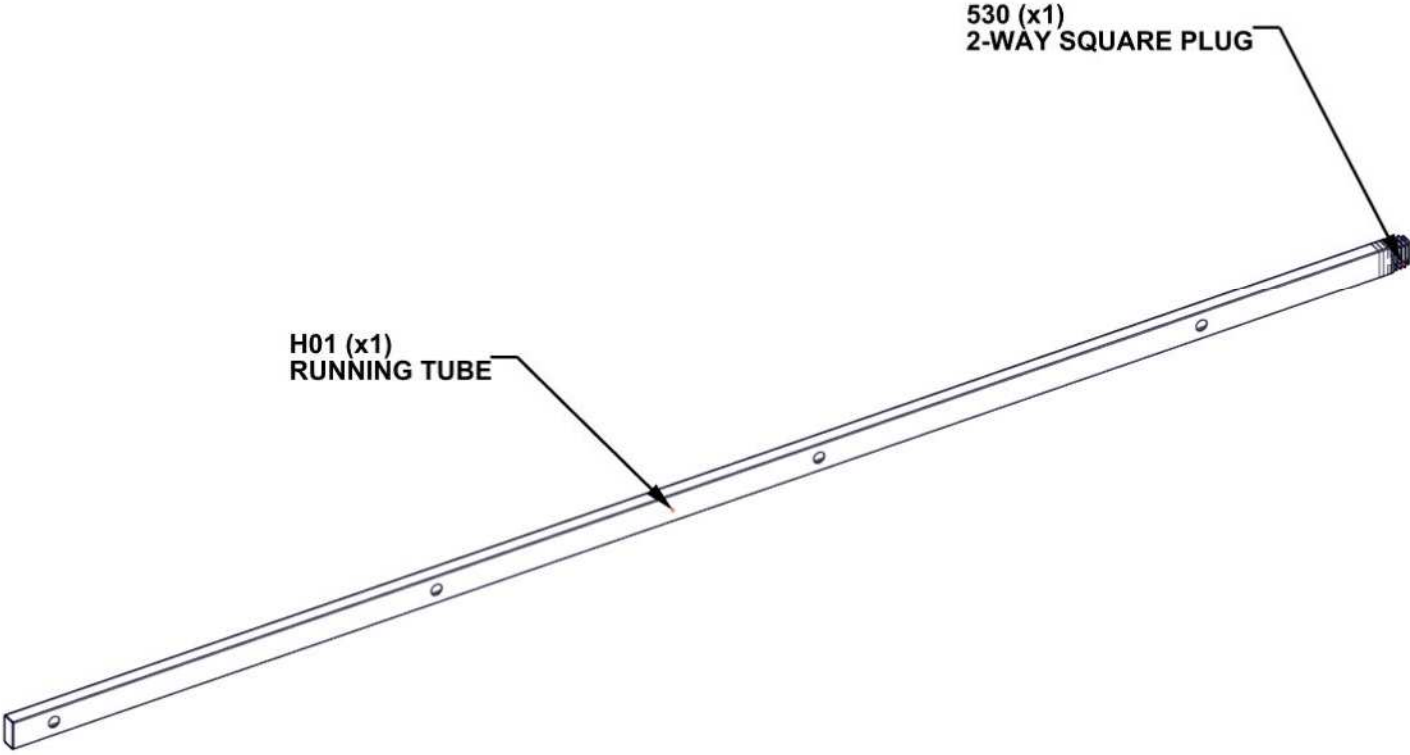
# STEP 69 - SIDE WALL ASSEMBLY



H01 RUNNING TUBE - A4M04968  
(x1) 77 9/16"x1 9/16"x13/16" (20x40x1969.5)

A6P00530 2-WAY SQUARE PLUG  
(x1)

- USE A RUBBER Mallet TO TAP 2-WAY SQUARE PLUG INTO END OF TUBE.

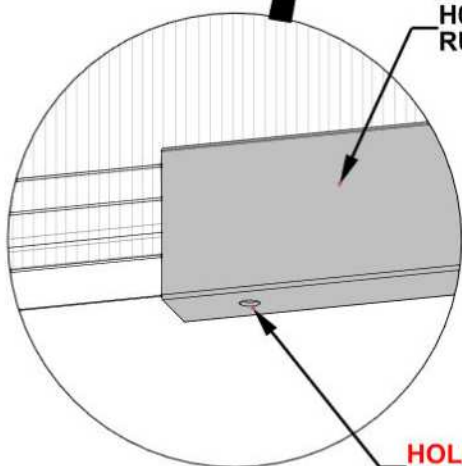
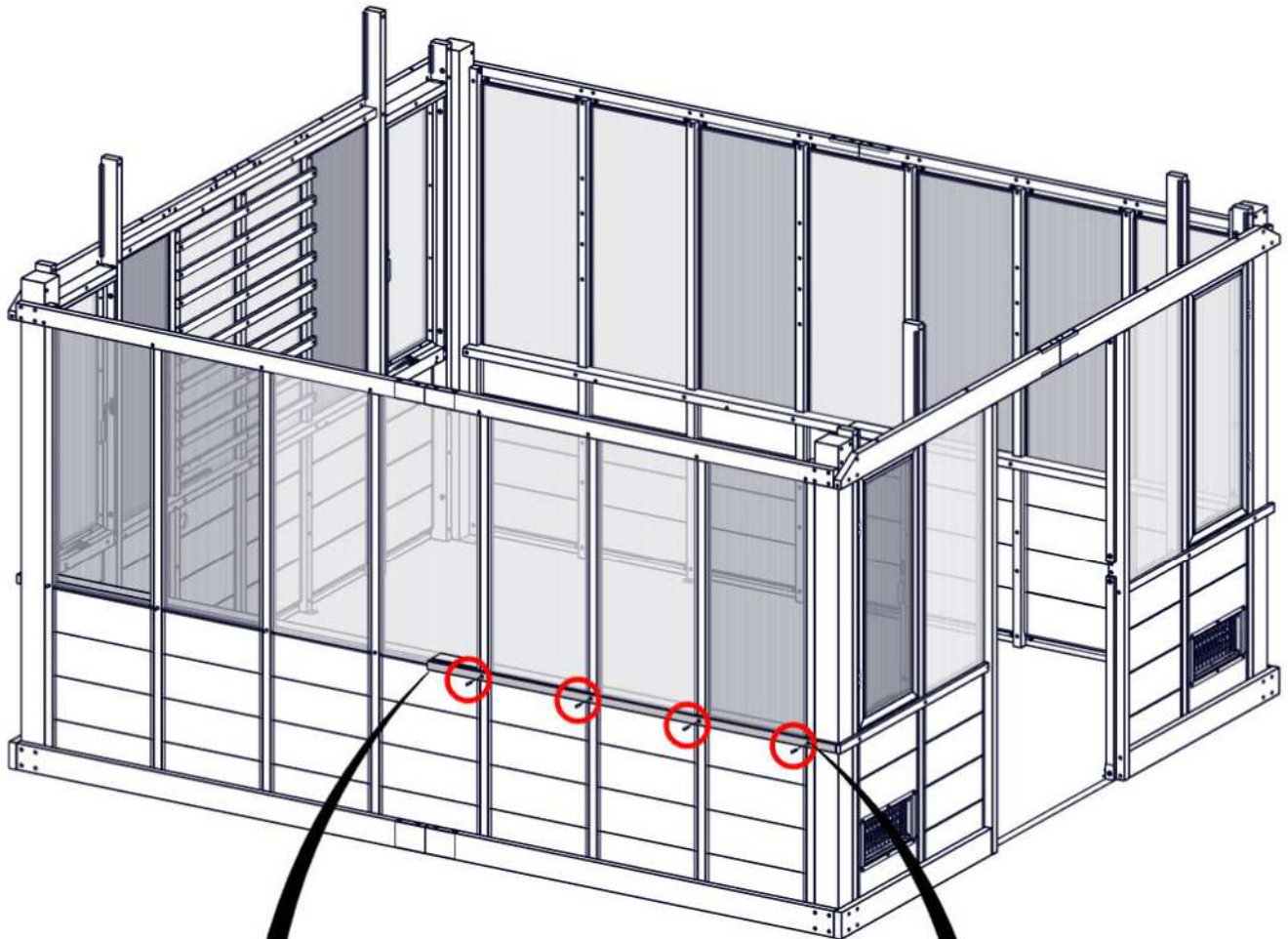


# STEP 70A - SIDE WALL ASSEMBLY

QTY	PART NUMBER	DESCRIPTION
4	H101132	TORX SOCKET SCREW SHORT 1/4-20

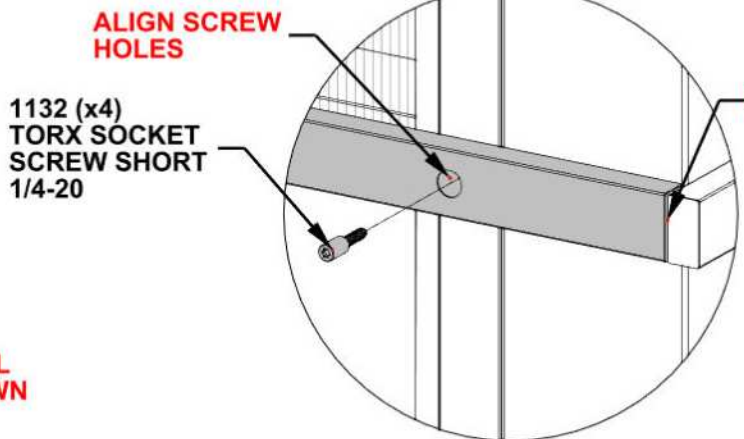


H02 RUNNING TUBE - A4M04967  
(x1) 80 11/16"x1 9/16"x13/16" (20x40x2049.5)



H02 (x1)  
RUNNING TUBE

HOLE WILL  
FACE DOWN



ALIGN SCREW  
HOLES

1132 (x4)  
TORX SOCKET  
SCREW SHORT  
1/4-20

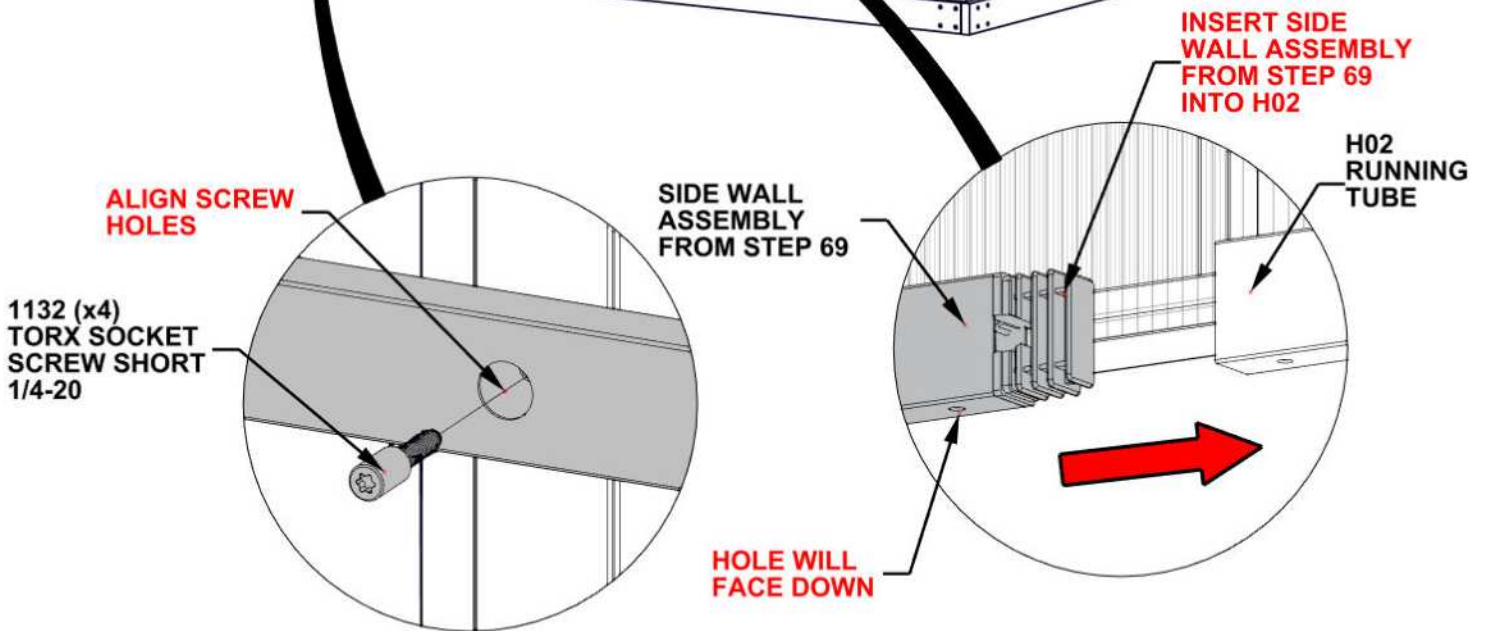
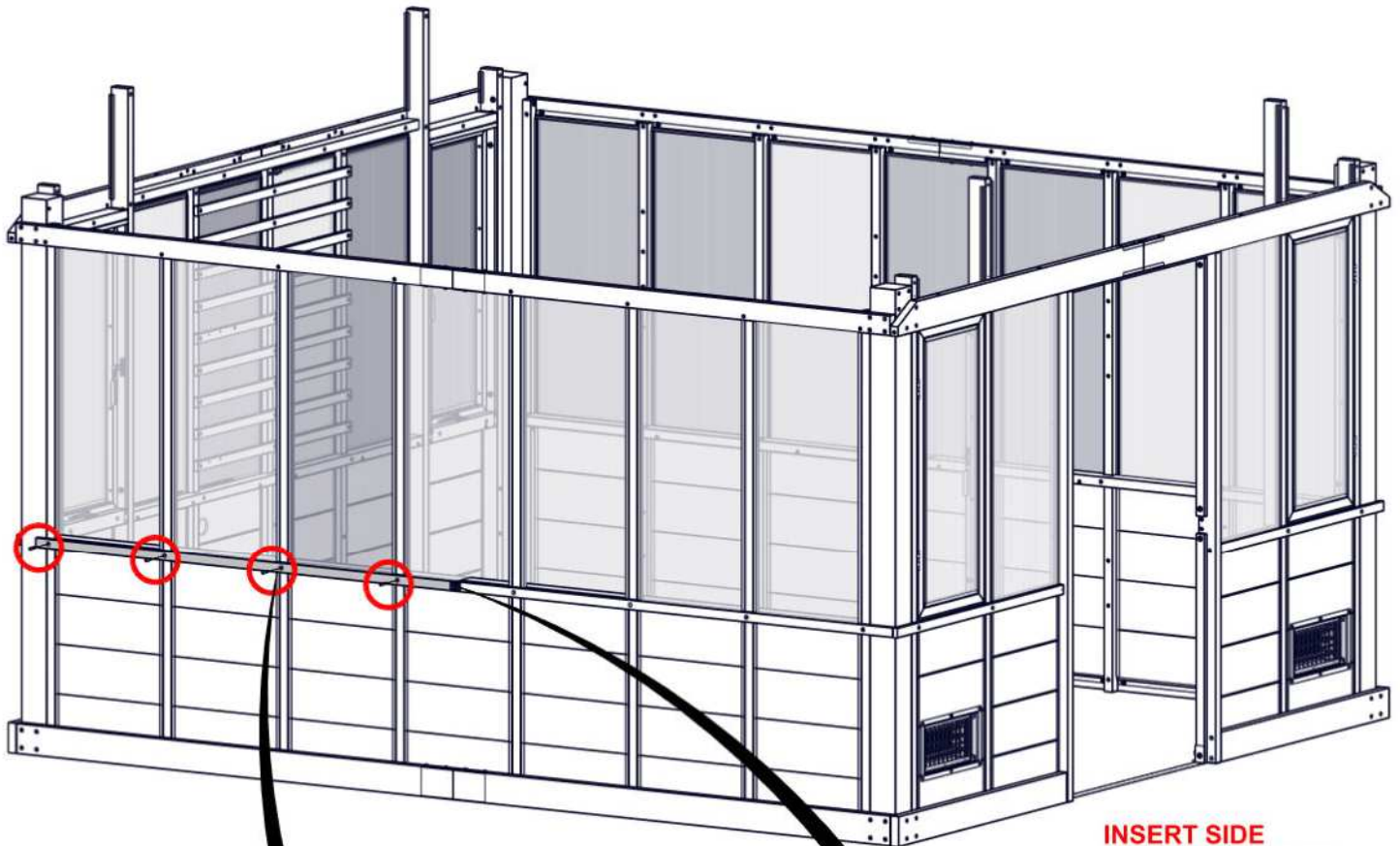
FLUSH

# STEP 70B - SIDE WALL ASSEMBLY

QTY	PART NUMBER	DESCRIPTION
4	H101132	TORX SOCKET SCREW SHORT 1/4-20



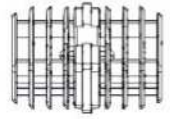
SIDE WALL ASSEMBLY FROM STEP 69



# STEP 71 - SIDE WALL ASSEMBLY

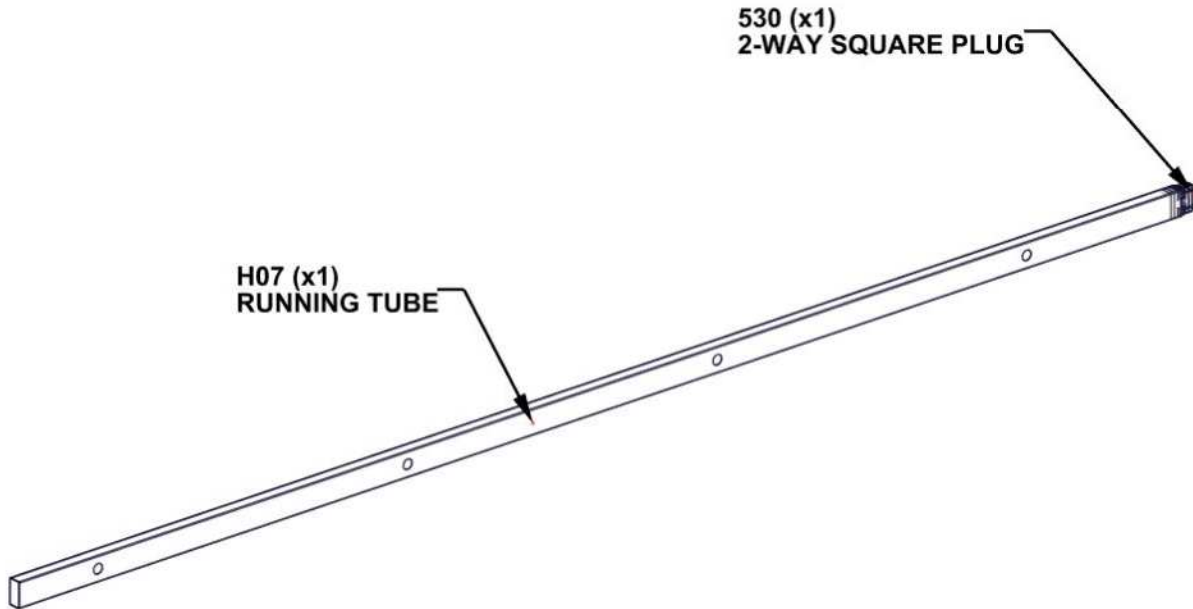


H07 RUNNING TUBE - A4M05293  
(x1) 80 11/16"x1 9/16"x13/16" (20x40x2049.5)



A6P00530 2-WAY SQUARE PLUG  
(x1)

- USE A RUBBER Mallet TO TAP 2-WAY SQUARE PLUG INTO END OF TUBE.

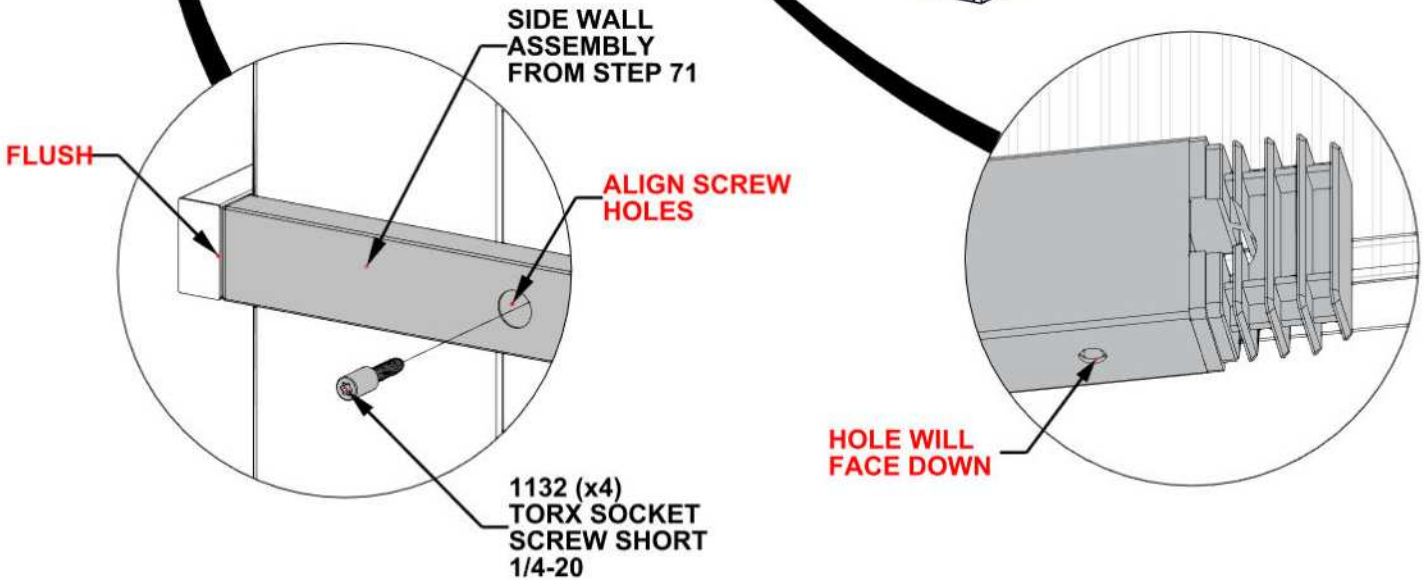
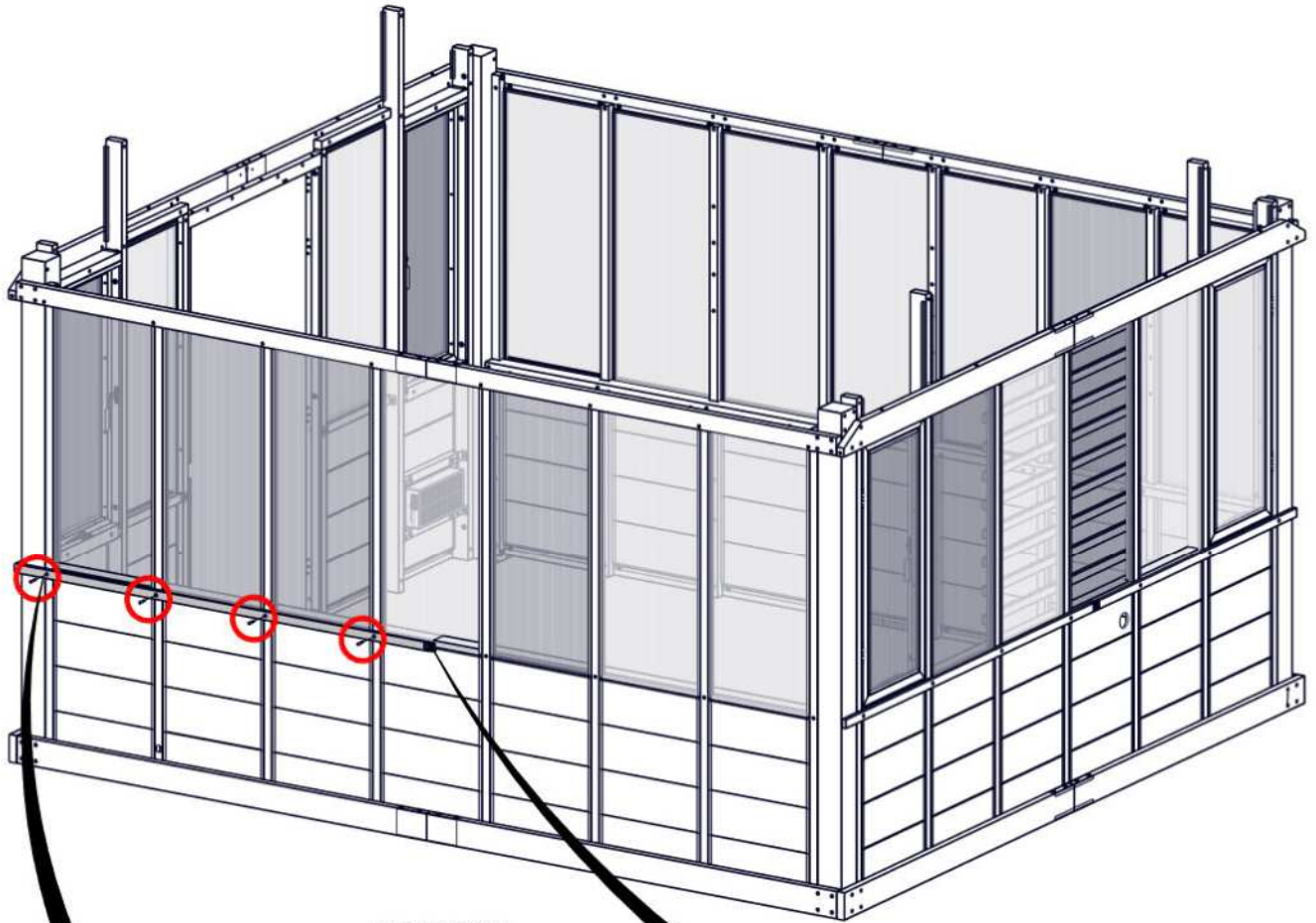


# STEP 72A - SIDE WALL ASSEMBLY

QTY	PART NUMBER	DESCRIPTION
4	H101132	TORX SOCKET SCREW SHORT 1/4-20



SIDE WALL ASSEMBLY FROM STEP 71

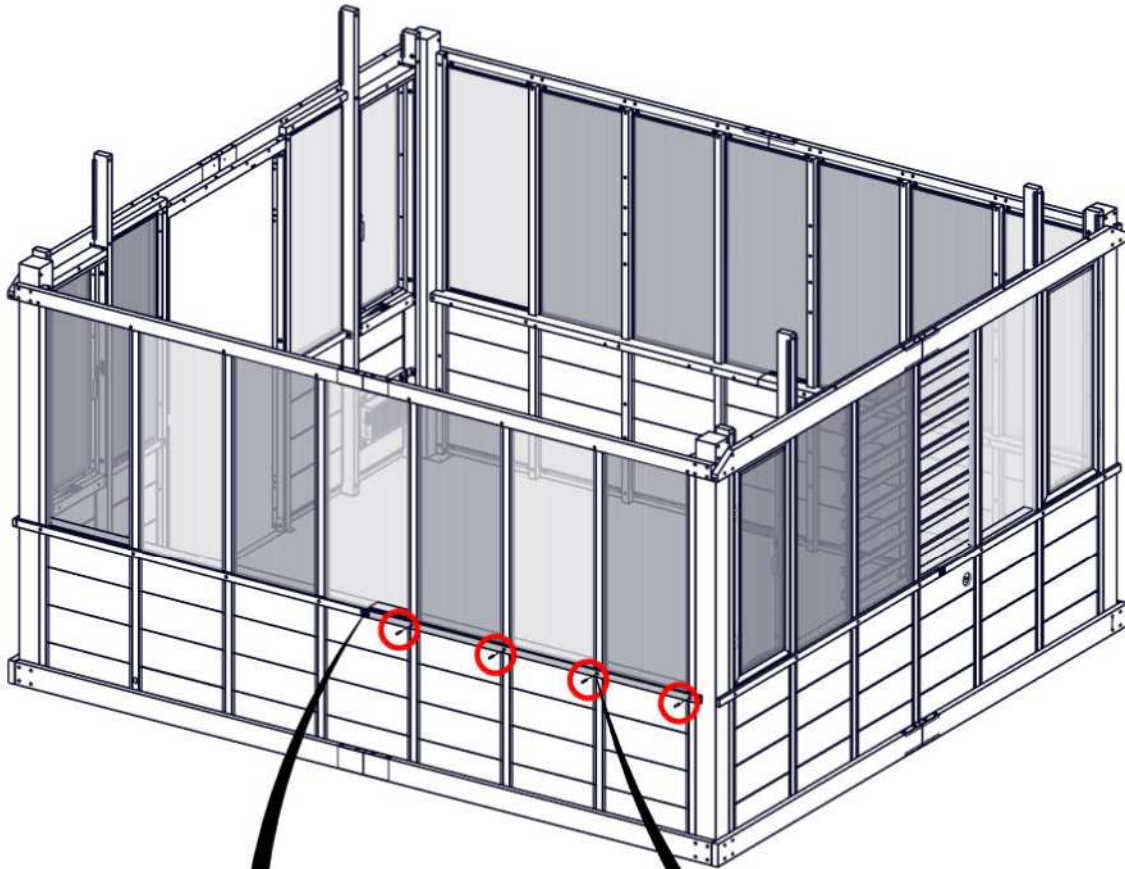


# STEP 72B - SIDE WALL ASSEMBLY

QTY	PART NUMBER	DESCRIPTION
4	H101132	TORX SOCKET SCREW SHORT 1/4-20

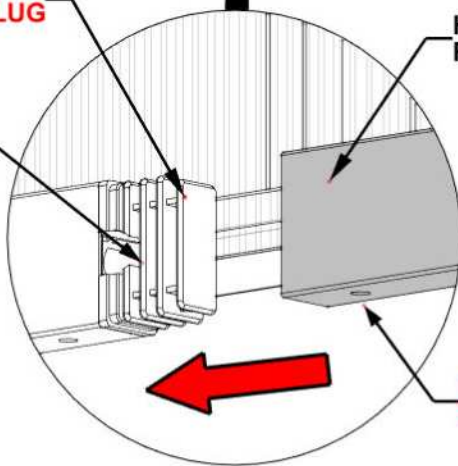


H08 RUNNING TUBE - A4M05294  
(x1) 77 9/16"x1 9/16"x13/16" (20x40x1969.5)



**INSERT H08  
ONTO 530 PLUG**

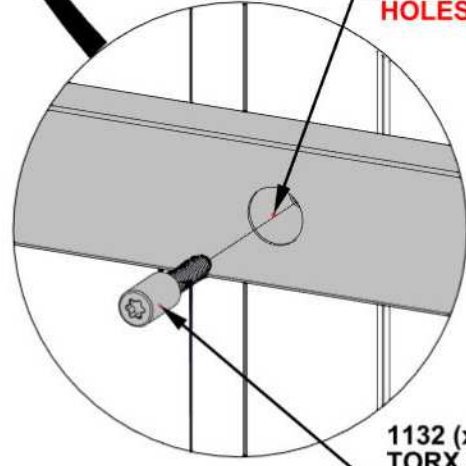
530  
2-WAY  
SQUARE  
PLUG



H08 (x1)  
RUNNING TUBE

**HOLE WILL  
FACE DOWN**

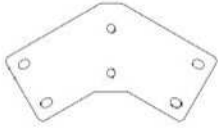
**ALIGN SCREW  
HOLES**



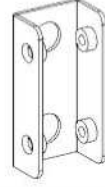
1132 (x4)  
TORX SOCKET  
SCREW SHORT  
1/4-20

# STEP 73A - GABLE ASSEMBLY

QTY	PART NUMBER	DESCRIPTION
4	H101202	TORX PAN HEAD 1/4-20x3/4 ASSY



J12 GABLE BRACKET - A4M05300  
(x1) 14 7/8"x8 5/16"x1/16" (2x211x377)

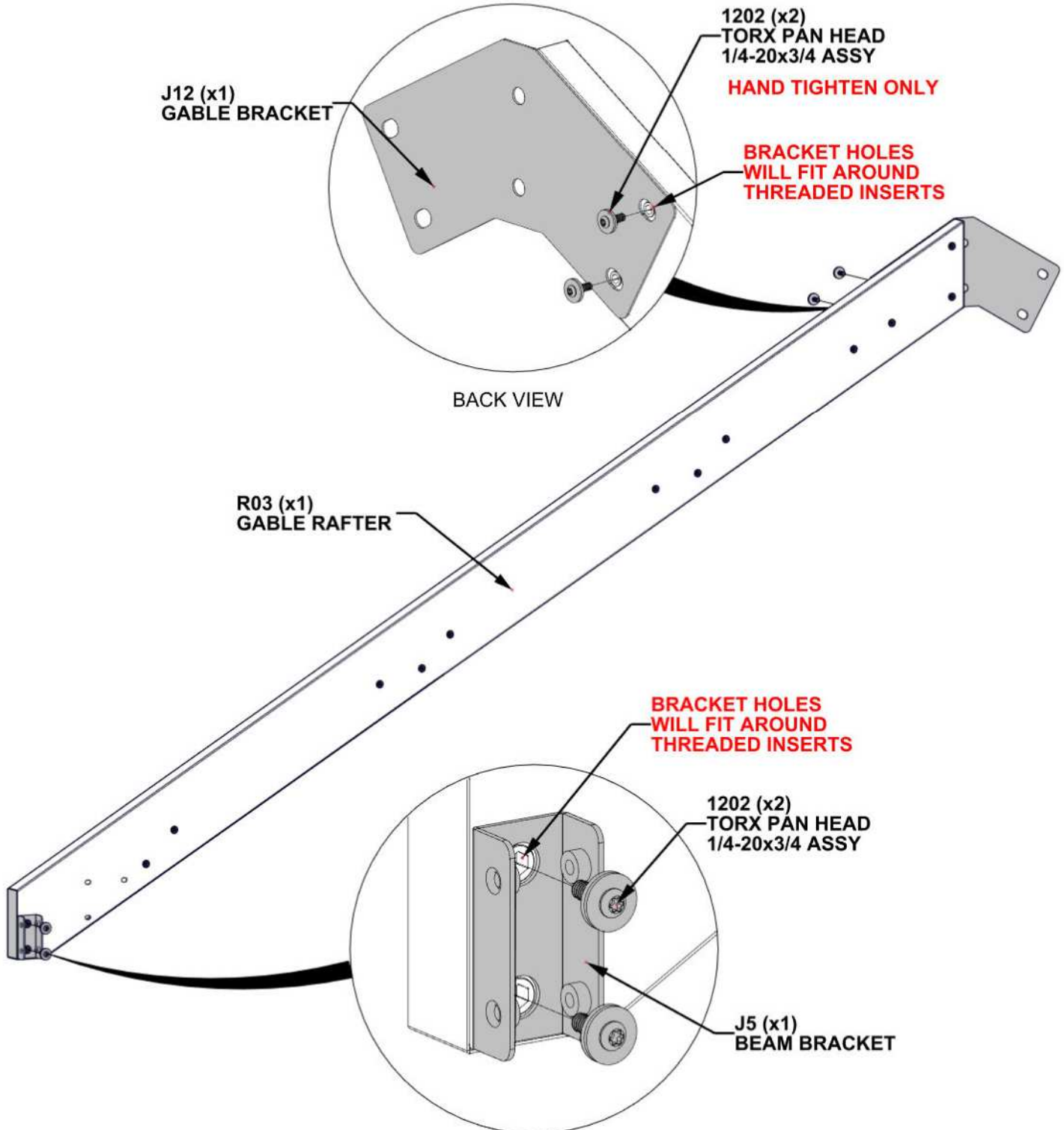


J5 BEAM BRACKET - A4M04950  
(x1) 3"x1 7/16"x15/16" (24x37.2x76)



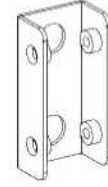
R03 GABLE RAFTER - A4M04979  
(x1) 85 3/16"x5 1/4"x1 7/16" (36x134x2164.5)

- FOR EASE OF ASSEMBLY, WE RECOMMEND USING SAWHORSES FOR STEP 73A-73B.



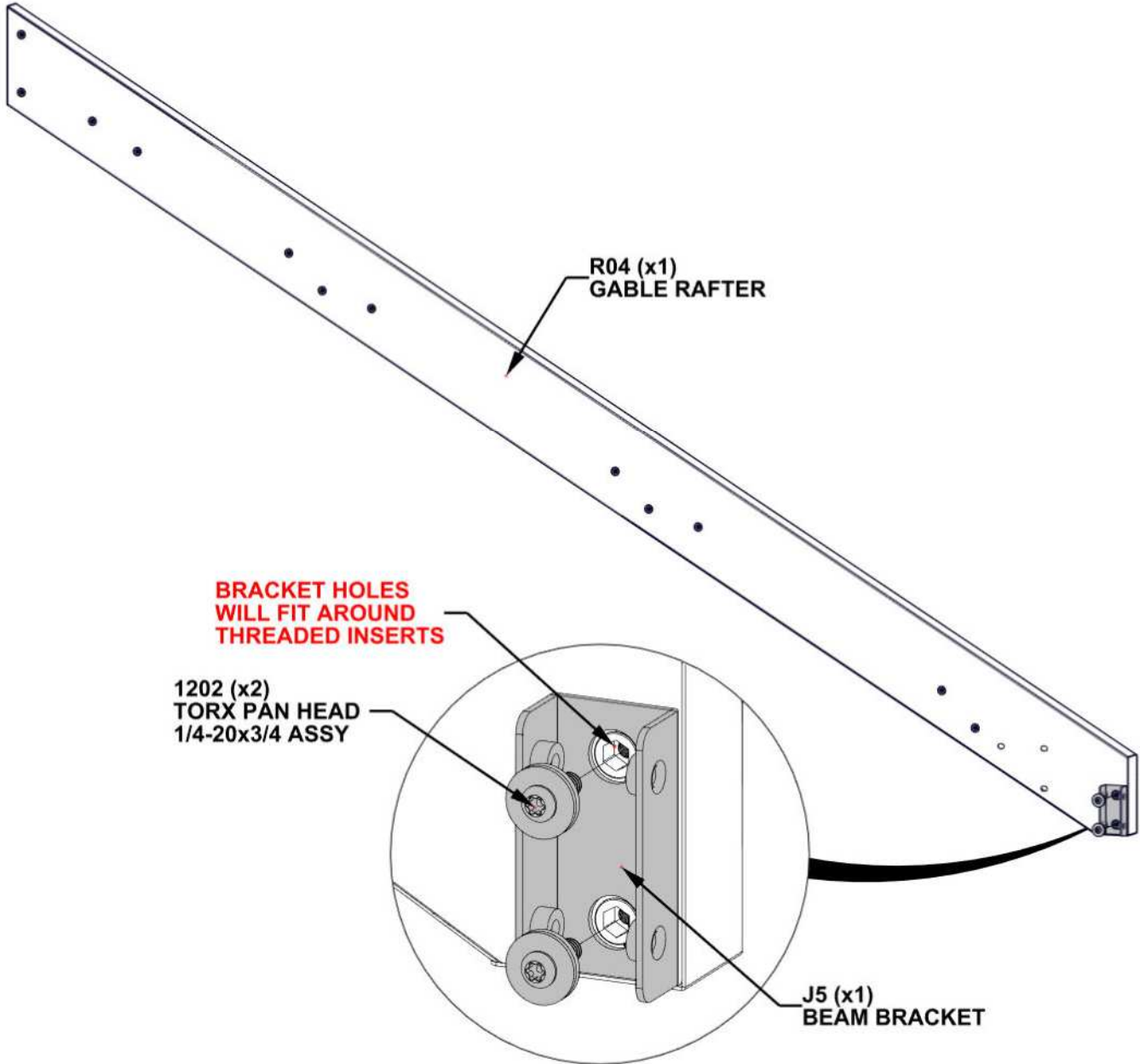
# STEP 73B - GABLE ASSEMBLY

QTY	PART NUMBER	DESCRIPTION
2	H101202	TORX PAN HEAD 1/4-20x3/4 ASSY



R04 GABLE RAFTER - A4M04980  
 (x1) 85 3/16"x5 1/4"x1 7/16" (36x134x2164.5)

J5 BEAM BRACKET - A4M04950  
 (x1) 3"x1 7/16"x15/16" (24x37.2x76)



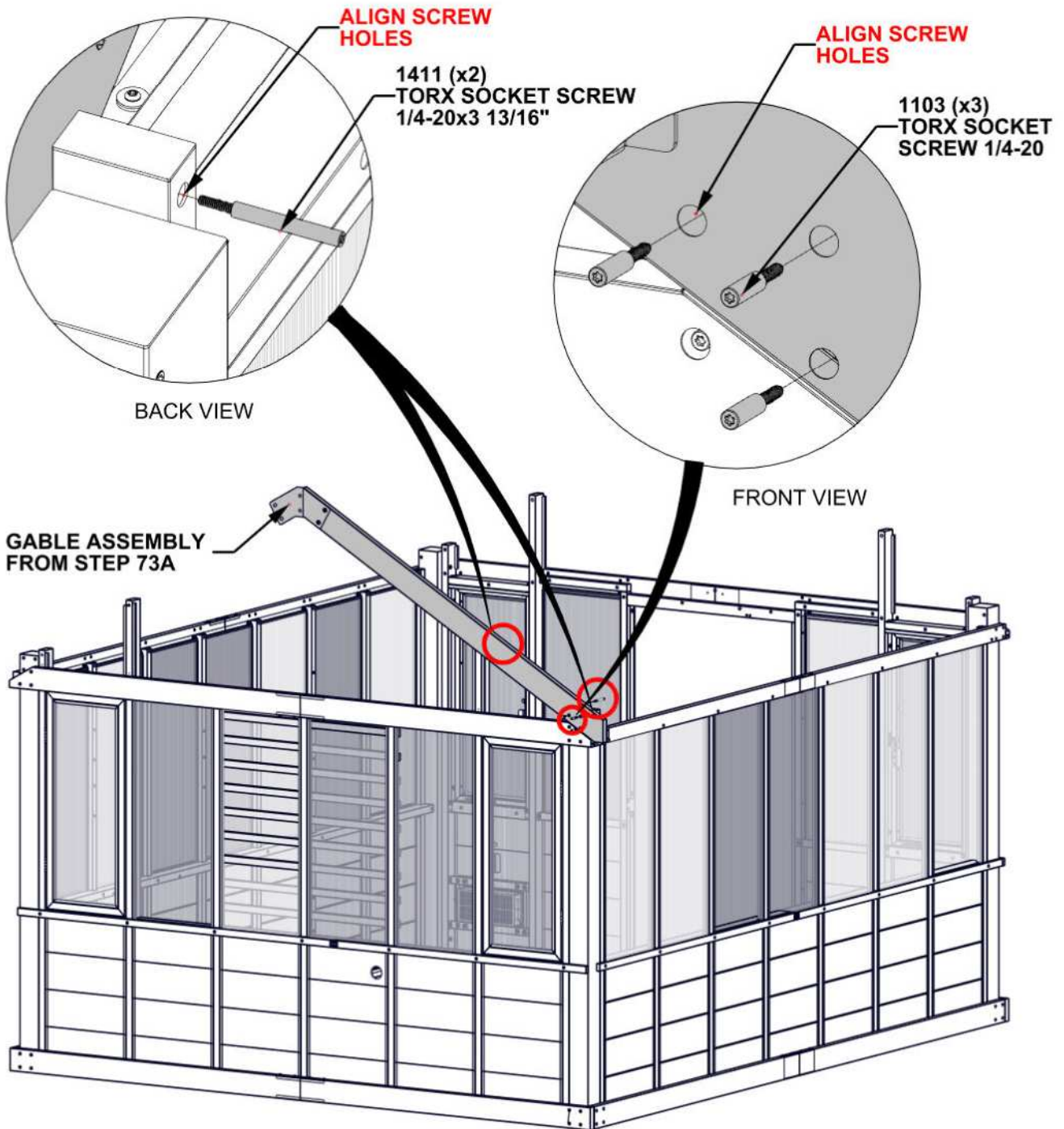
# STEP 74A - GABLE ASSEMBLY

QTY	PART NUMBER	DESCRIPTION
2	H101411	TORX SOCKET SCREW 1/4-20x3 13/16"
3	H101103	TORX SOCKET SCREW 1/4-20



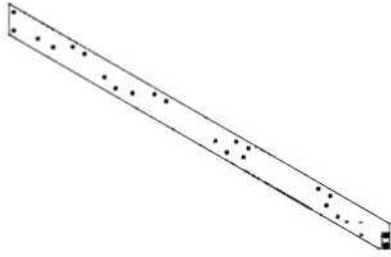
GABLE ASSEMBLY FROM STEP 73A

- WITH AT LEAST TWO ADDITIONAL PEOPLE, ATTACH GABLE ASSEMBLY TO POST AND UPRIGHT.
- **HAND TIGHTEN ONLY.**



# STEP 74B - GABLE ASSEMBLY

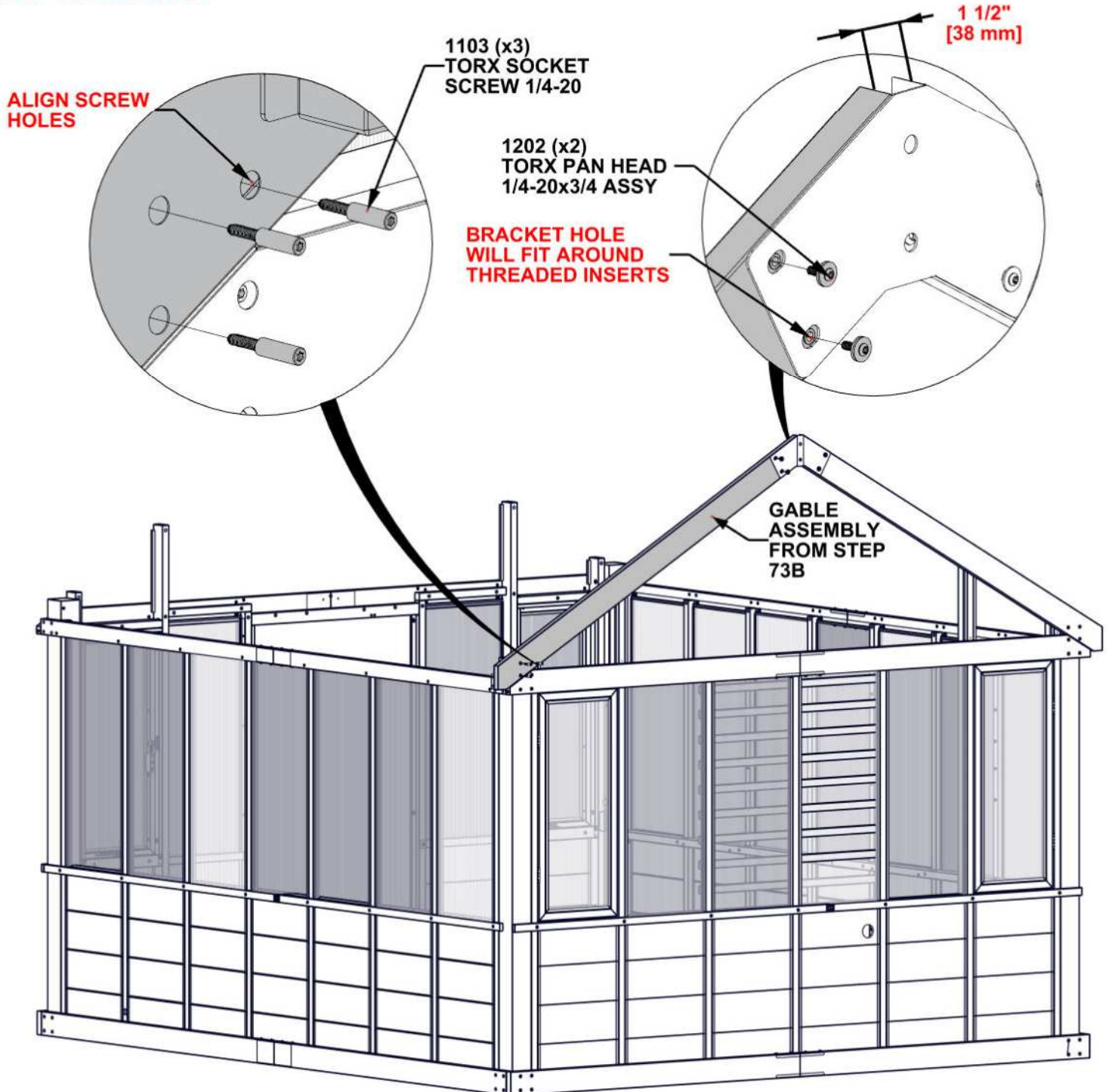
QTY	PART NUMBER	DESCRIPTION
2	H101202	TORX PAN HEAD 1/4-20x3/4 ASSY
3	H101103	TORX SOCKET SCREW 1/4-20



GABLE ASSEMBLY FROM STEP 73B

- WITH AT LEAST TWO ADDITIONAL PEOPLE, ATTACH GABLE ASSEMBLY TO POST, UPRIGHT AND GABLE ASSEMBLY.

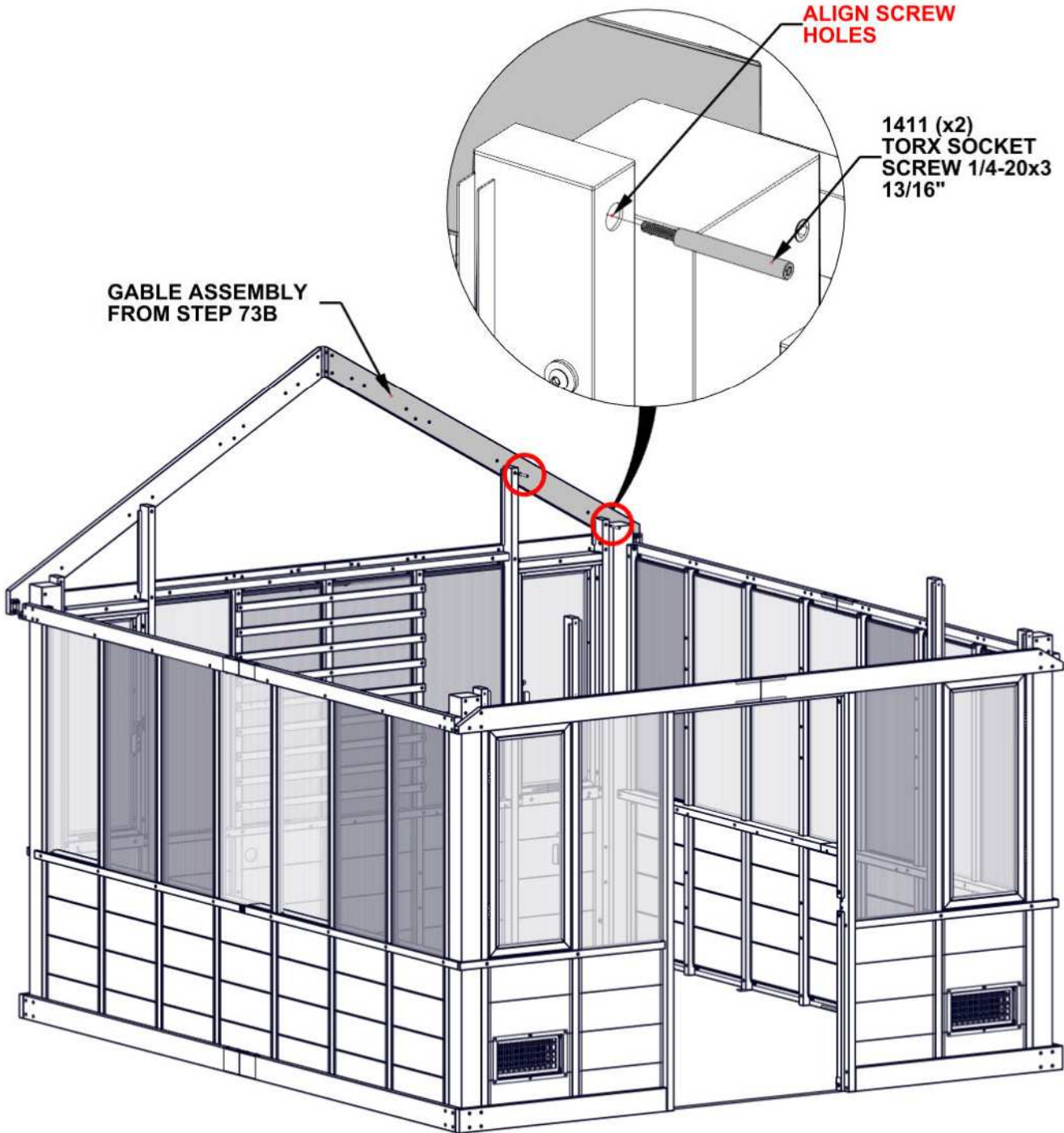
- **HAND TIGHTEN ONLY.**



# STEP 75 - GABLE ASSEMBLY

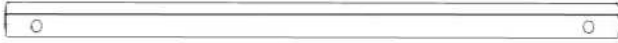
QTY	PART NUMBER	DESCRIPTION
2	H101411	TORX SOCKET SCREW 1/4-20x3 13/16"

- HAND TIGHTEN ONLY.



# STEP 76 - GABLE ASSEMBLY

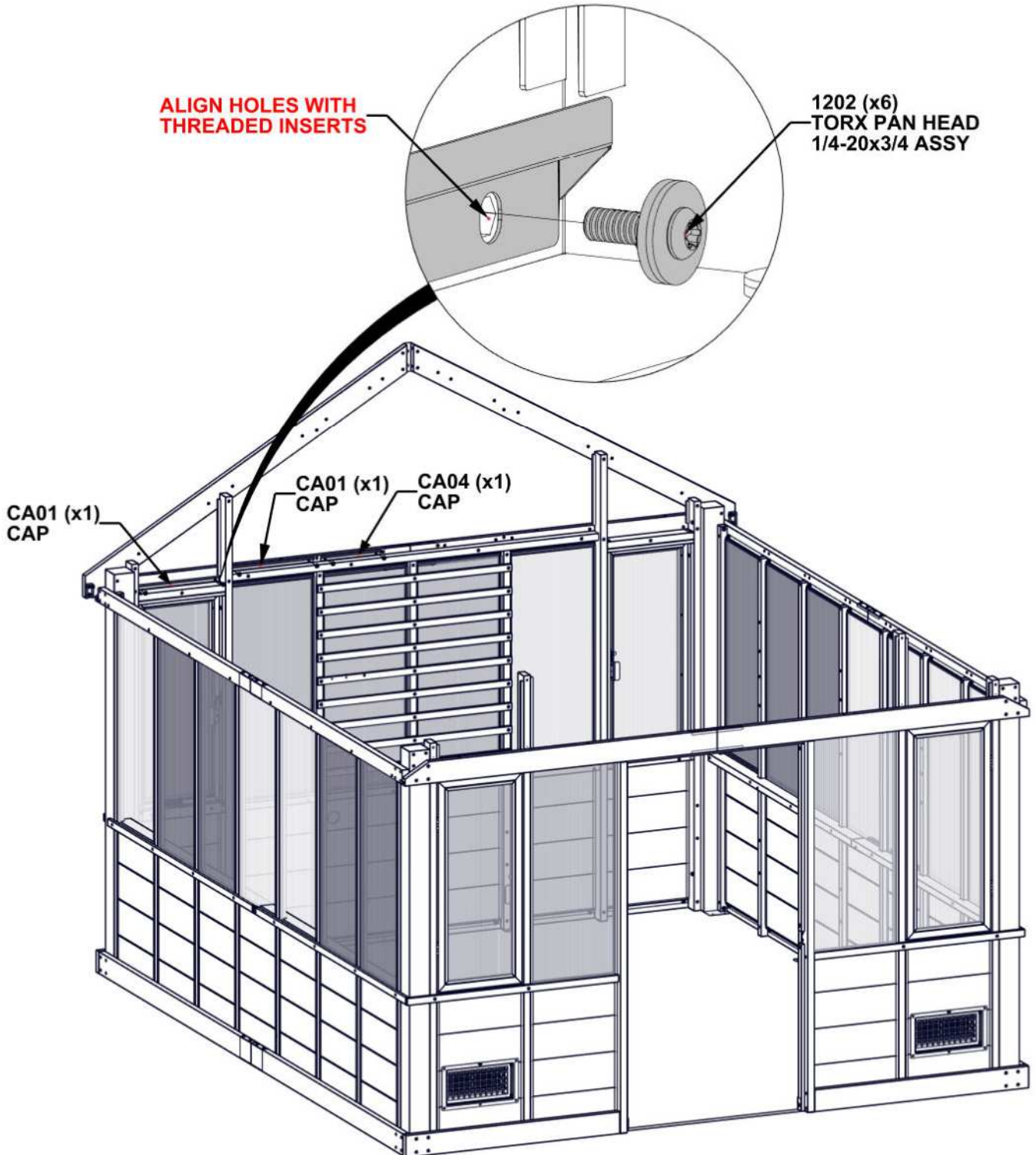
QTY	PART NUMBER	DESCRIPTION
6	H101202	TORX PAN HEAD 1/4-20x3/4 ASSY



CA01 CAP - A4M05407  
(x2) 19 13/16"x1 3/16"x1/2" (12.8x30.2x503.8)



CA04 CAP - A4M05405  
(x1) 13 3/4"x1 3/16"x1/2" (12.8x30.2x349.8)

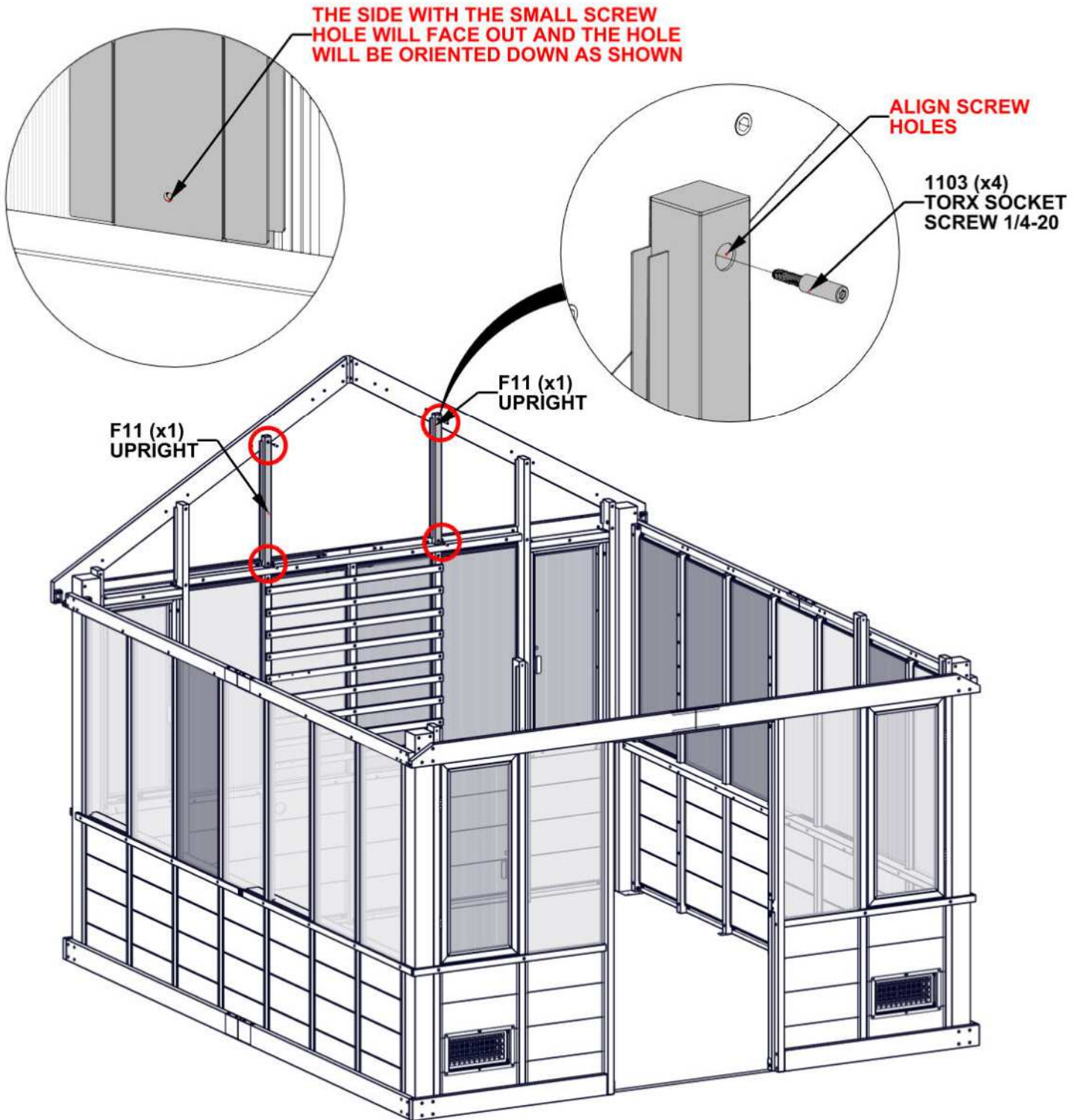


# STEP 77 - GABLE ASSEMBLY

QTY	PART NUMBER	DESCRIPTION
4	H101103	TORX SOCKET SCREW 1/4-20

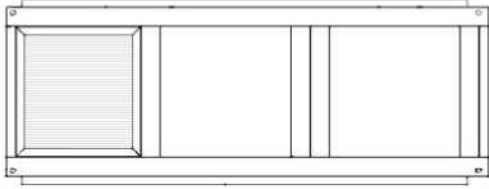


F11 UPRIGHT - A4M04990  
(x2) 29 13/16"x2 3/4"x1 9/16" (40x70x758)



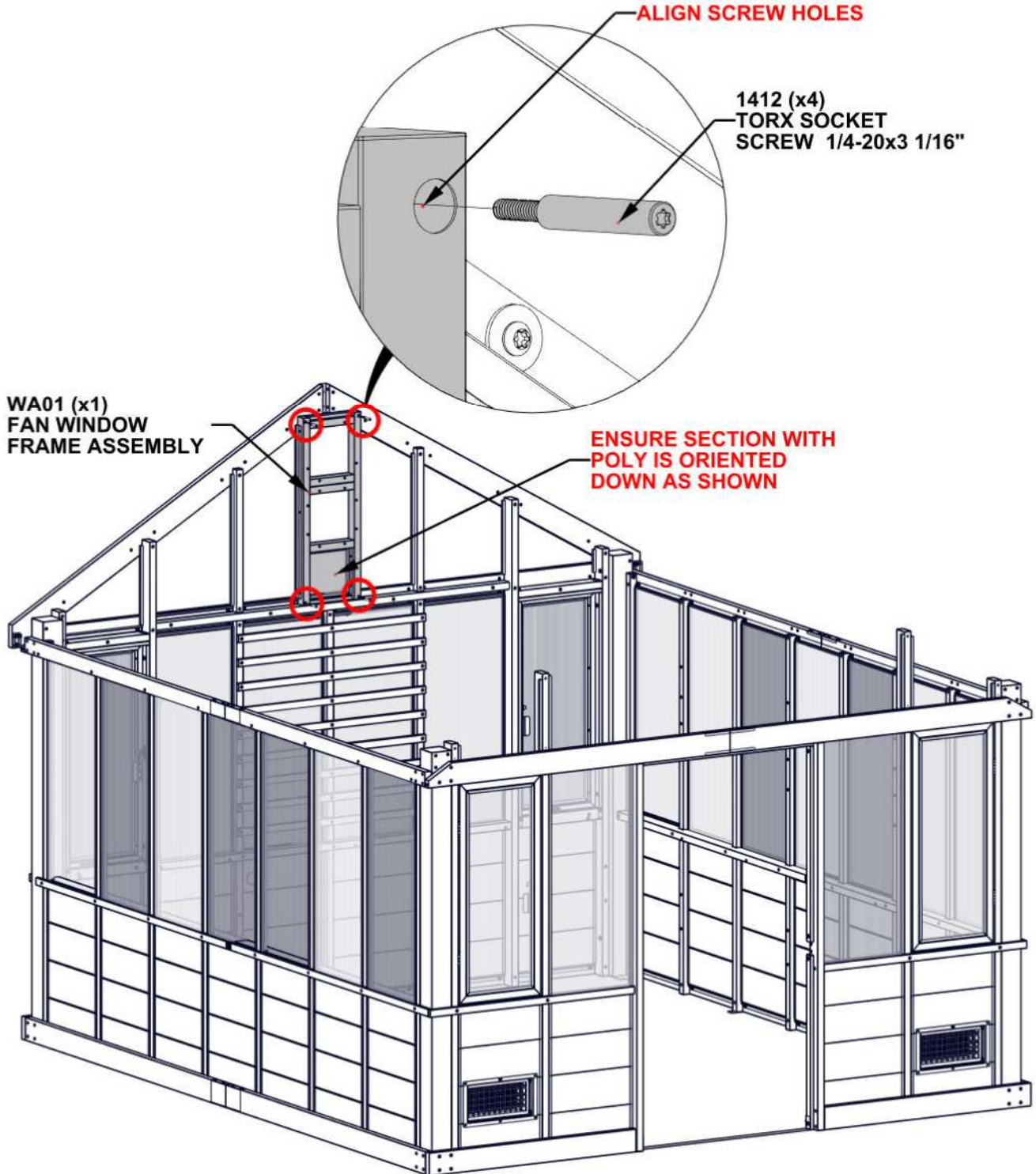
# STEP 78 - GABLE ASSEMBLY

QTY	PART NUMBER	DESCRIPTION
4	H101412	TORX SOCKET SCREW 1/4-20x3 1/16"

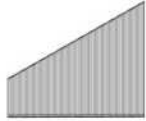


WA01 FAN WINDOW FRAME ASSEMBLY - A4M05023  
(x1) 39 1/8"x15"x2 3/8" (60x380.4x993.50)

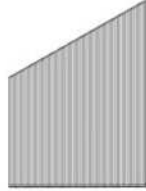
**- TIGHTEN ALL HARDWARE.**



# STEP 79 - GABLE ASSEMBLY



1612 POLY SHEET - A6P01612  
(x1) 16 3/4"x19 5/8"x3/8" (10x498x425.5)



1613 POLY SHEET - A6P01613  
(x1) 27 3/8"x19 5/8"x3/8" (10x498x695.5)



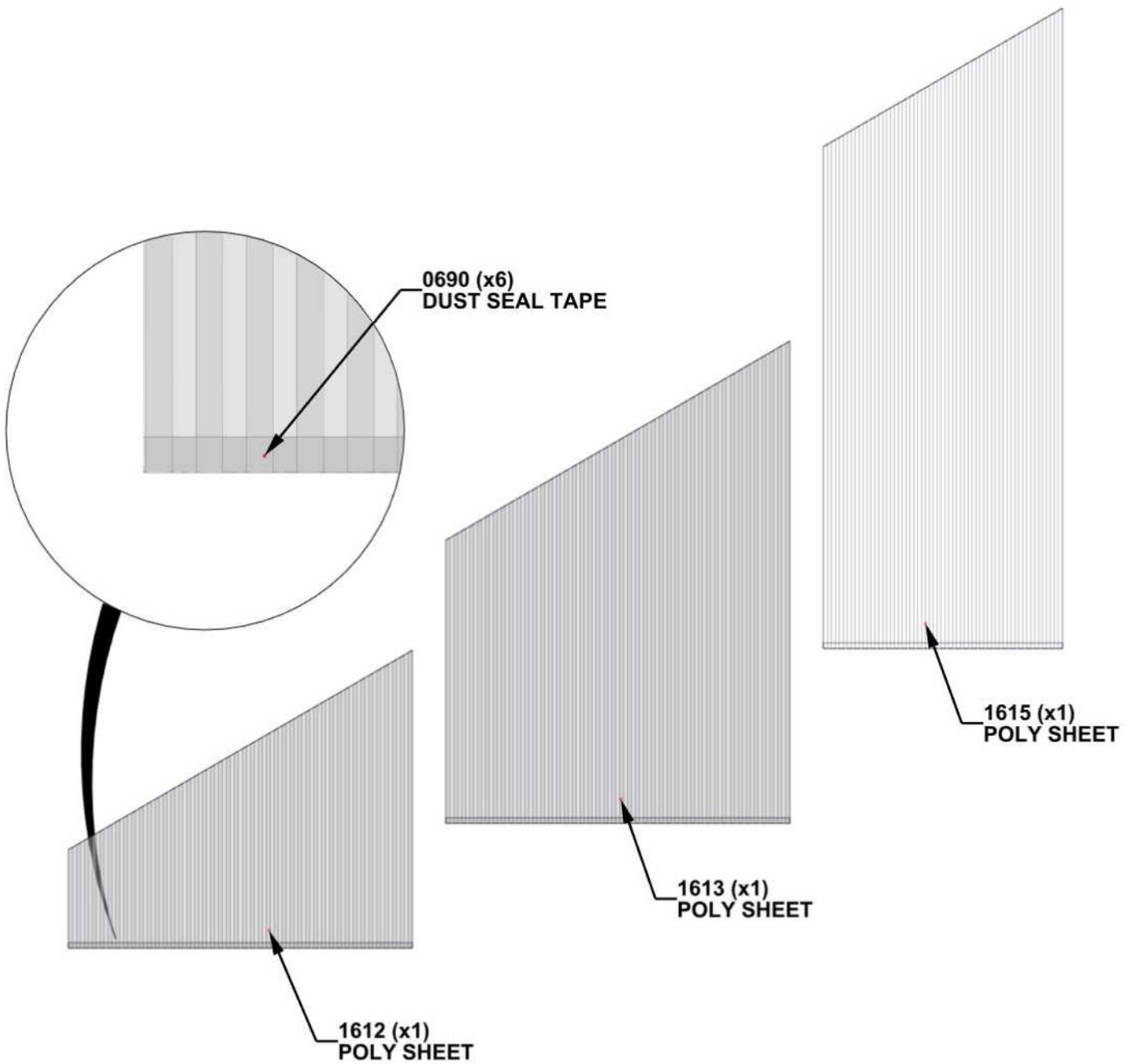
1615 POLY SHEET - A6P01615  
(x1) 36 7/16"x13 5/8"x3/8" (10x346x924.8)



A6P00690 DUST SEAL TAPE

## TO APPLY DUST SEAL TAPE:

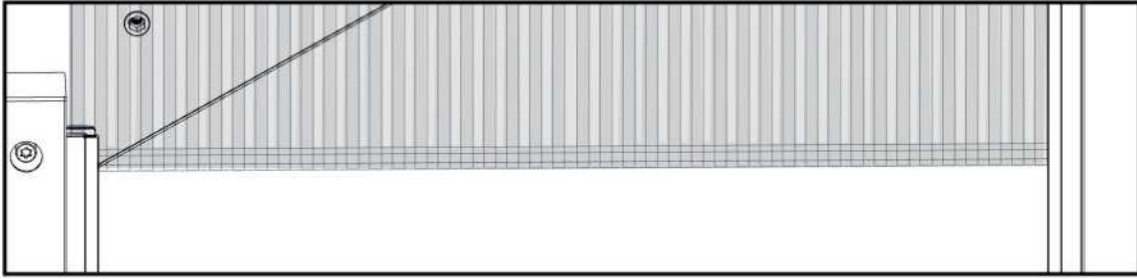
- CUT 3 STRIPS OF DUST SEAL TAPE THE SAME WIDTH AS THE BOTTOM POLY SHEETS.
- WRAP DUST SEAL TAPE ALONG BOTTOM EDGE OF POLY SHEET WIDTH.
- CUT 3 STRIPS OF DUST SEAL TAPE THE SAME WIDTH AS THE TOP POLY SHEET.
- WRAP DUST SEAL TAPE ALONG TOP EDGE OF POLY SHEET WIDTH.



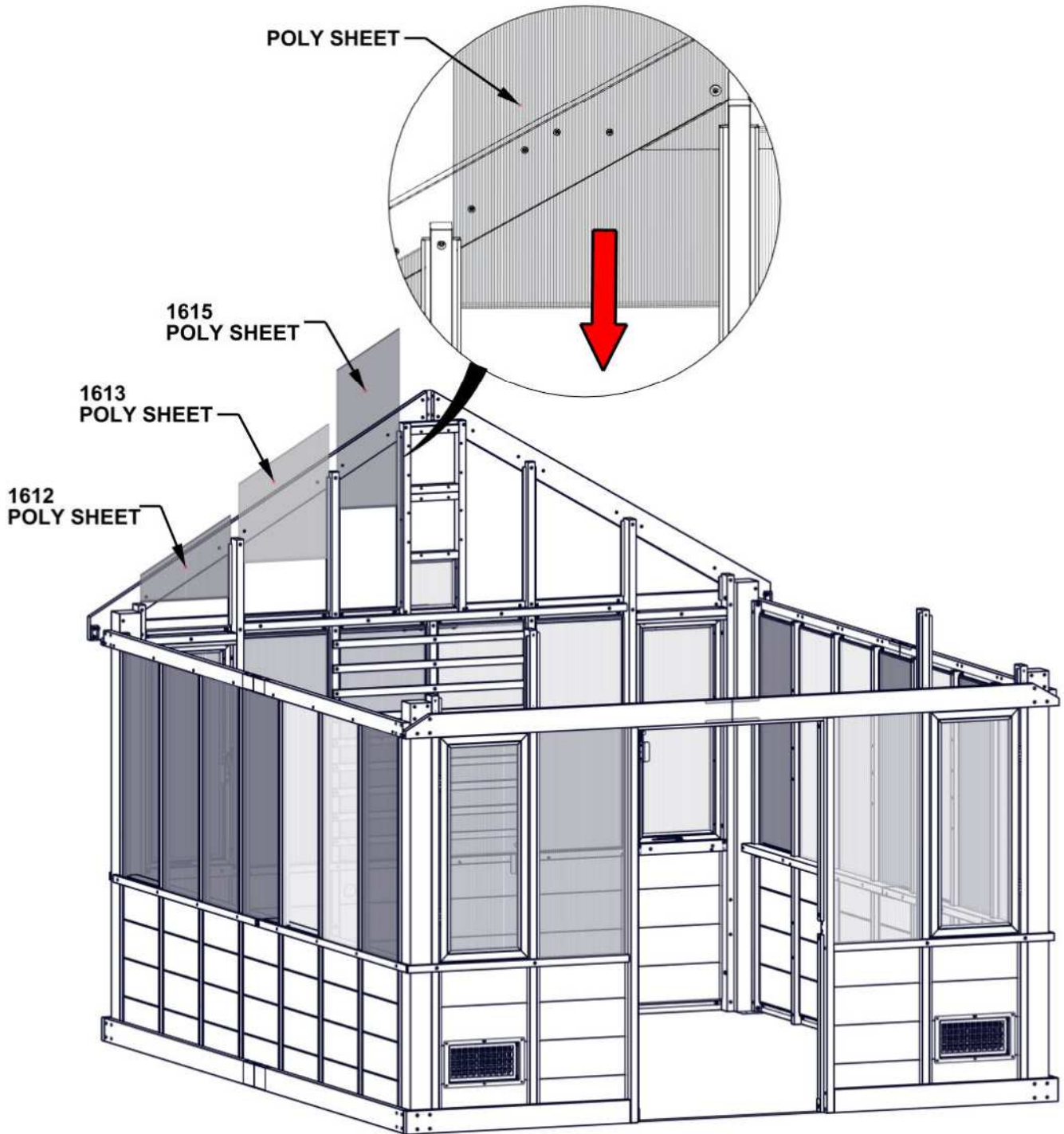
# STEP 80 - GABLE ASSEMBLY

## IMPORTANT!

- ENSURE UV SIDE OF POLY SHEETS ARE FACING OUTSIDE.
- REMOVE THE PROTECTIVE FILM PRIOR TO INSTALLATION OF POLY SHEETS.

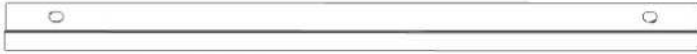


- INSERT POLY SHEETS INTO CHANNELS OF UPRIGHT.
- PUSH THE SHEETS UNTIL THEY CONTACT THE BOTTOM.



# STEP 81 - GABLE ASSEMBLY

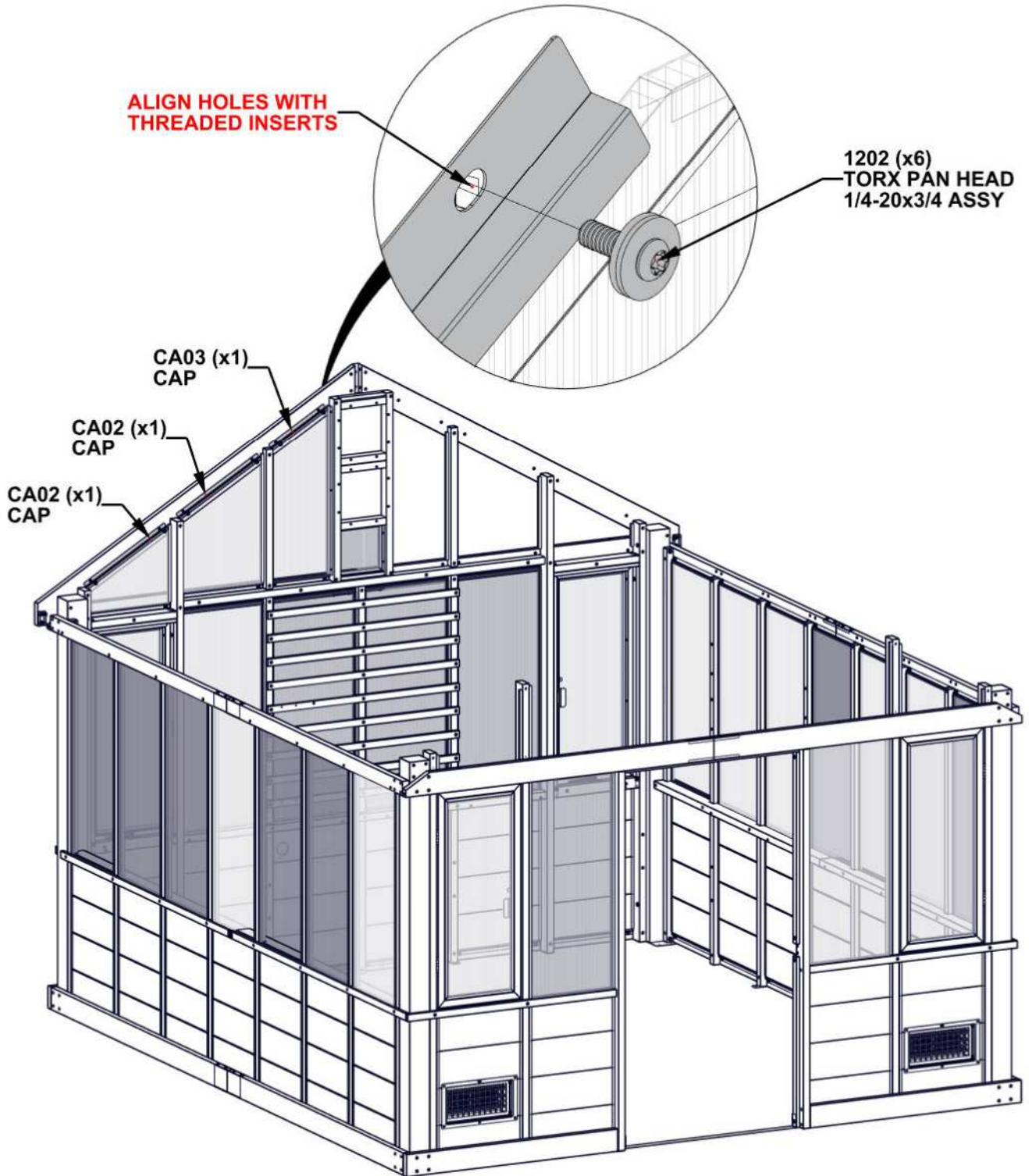
QTY	PART NUMBER	DESCRIPTION
6	H101202	TORX PAN HEAD 1/4-20x3/4 ASSY



CA02 CAP - A4M05412  
(x2) 21 5/8"x1 7/16"x1/2" (12.8x37x550)



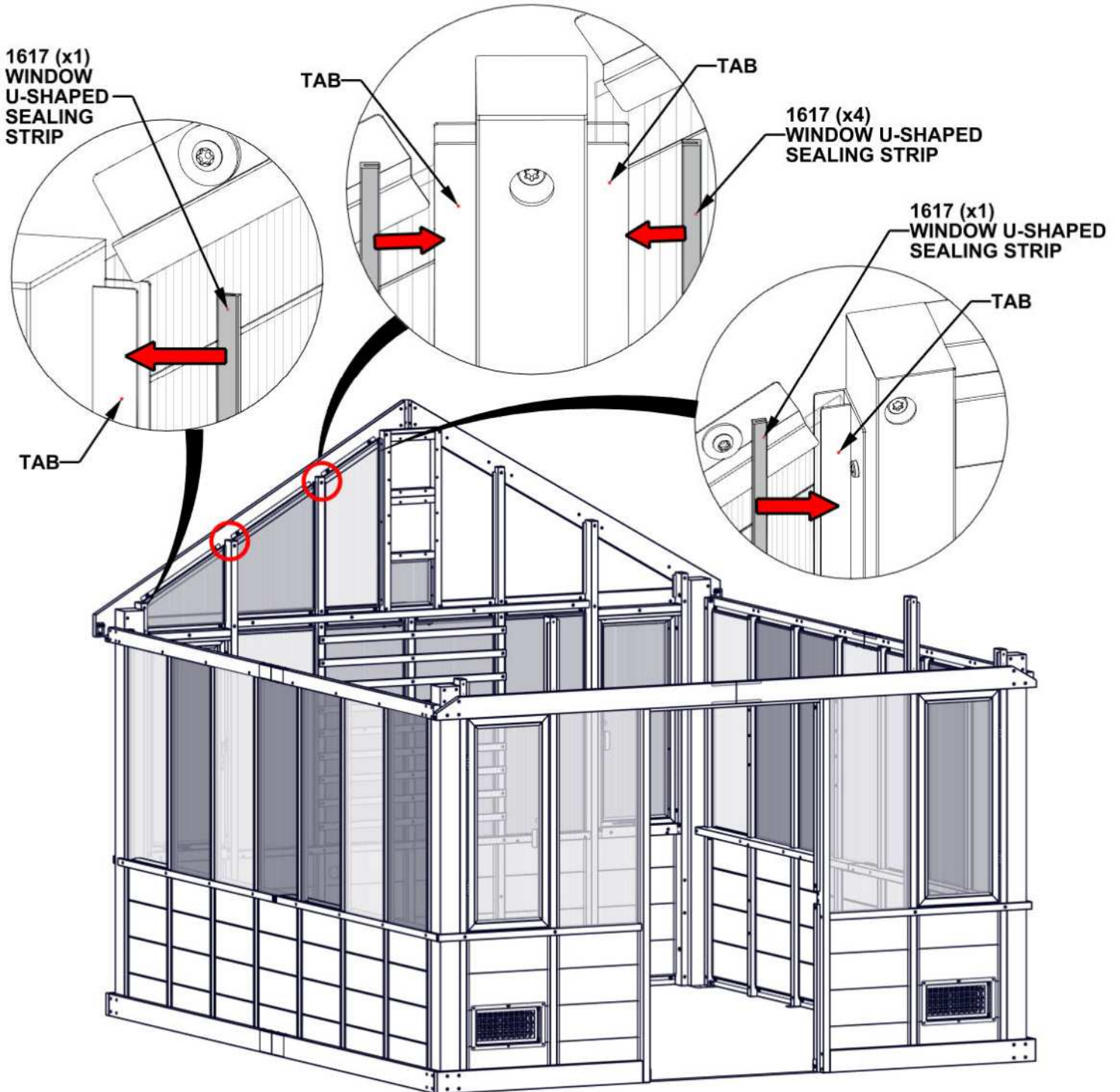
CA03 CAP - A4M05414  
(x1) 14 5/8"x1/2"x1 7/16" (12.8x37x372)



# STEP 82 - GABLE ASSEMBLY

A6P01617 WINDOW U-SHAPED SEALING STRIP  
(x1)

- CUT 6 STRIPS OF SEALING STRIP THE SAME HEIGHT AS THE TAB ON UPRIGHT.
- SLIDE SEALING STRIP ONTO THE TAB FACING OUTWARD ON UPRIGHT.



# STEP 83 - GABLE ASSEMBLY

QTY	PART NUMBER	DESCRIPTION
6	H101202	TORX PAN HEAD 1/4-20x3/4 ASSY



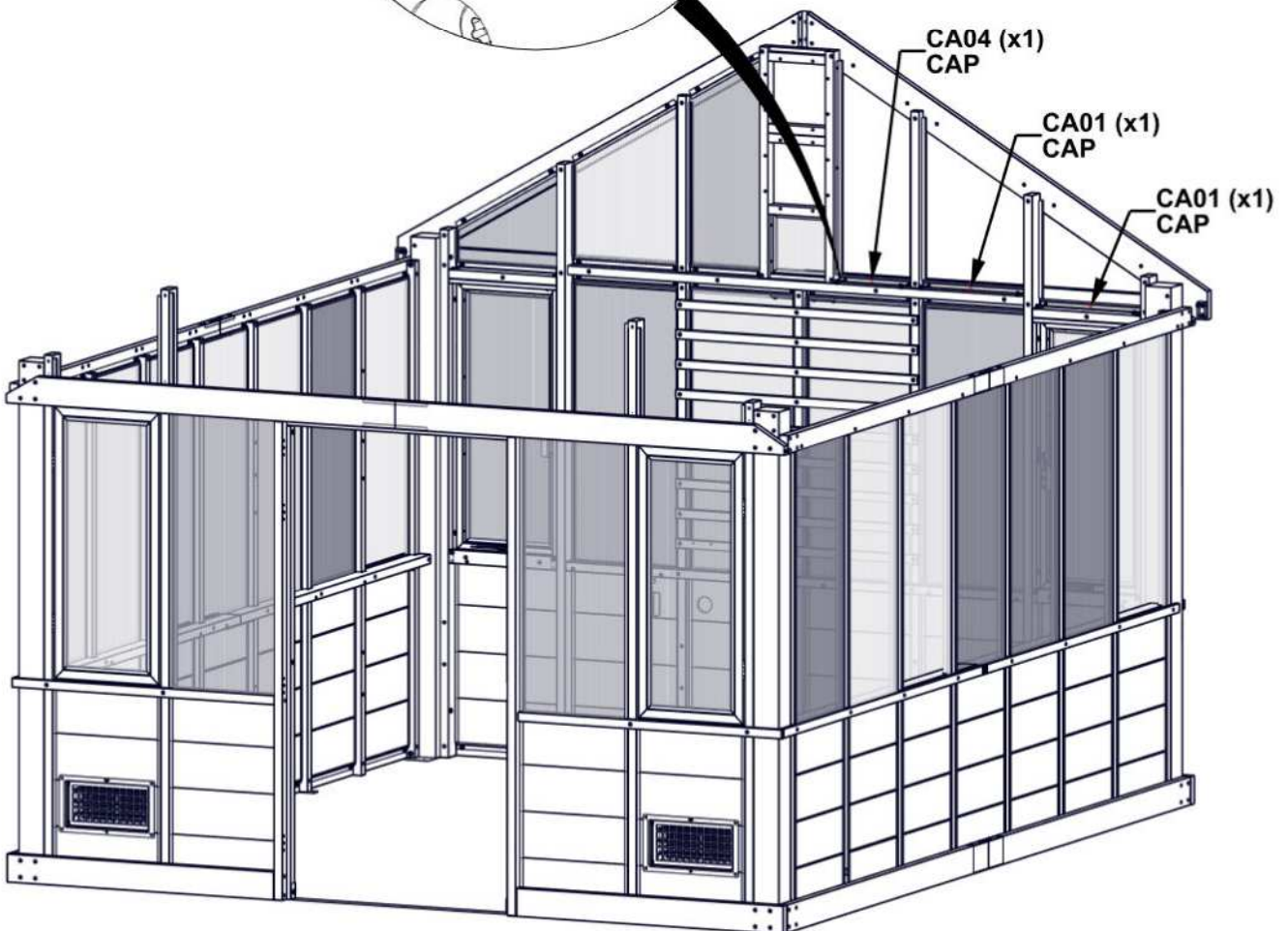
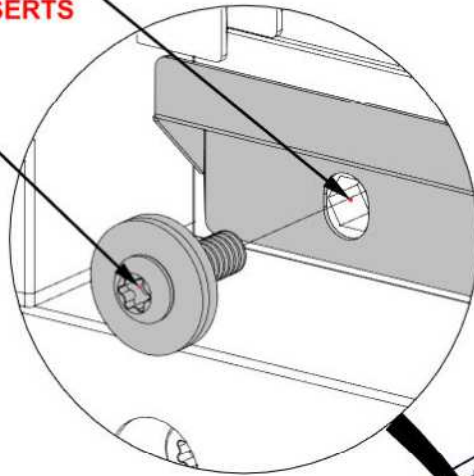
CA01 CAP - A4M05407  
(x2) 19 13/16"x1 3/16"x1/2" (12.8x30.2x503.8)



CA04 CAP - A4M05405  
(x1) 13 3/4"x1 3/16"x1/2" (12.8x30.2x349.8)

**ALIGN HOLES WITH  
THREADED INSERTS**

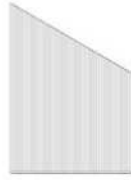
1202 (x6)  
TORX PAN HEAD  
1/4-20x3/4 ASSY



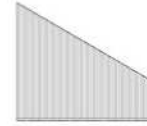
# STEP 84 - GABLE ASSEMBLY



1458 POLY SHEET - A6P01458  
(x1) 36 7/16"x13 5/8"x3/8" (10x346x924.8)



1456 POLY SHEET - A6P01456  
(x1) 27 3/8"x19 5/8"x3/8" (10x498x695.5)



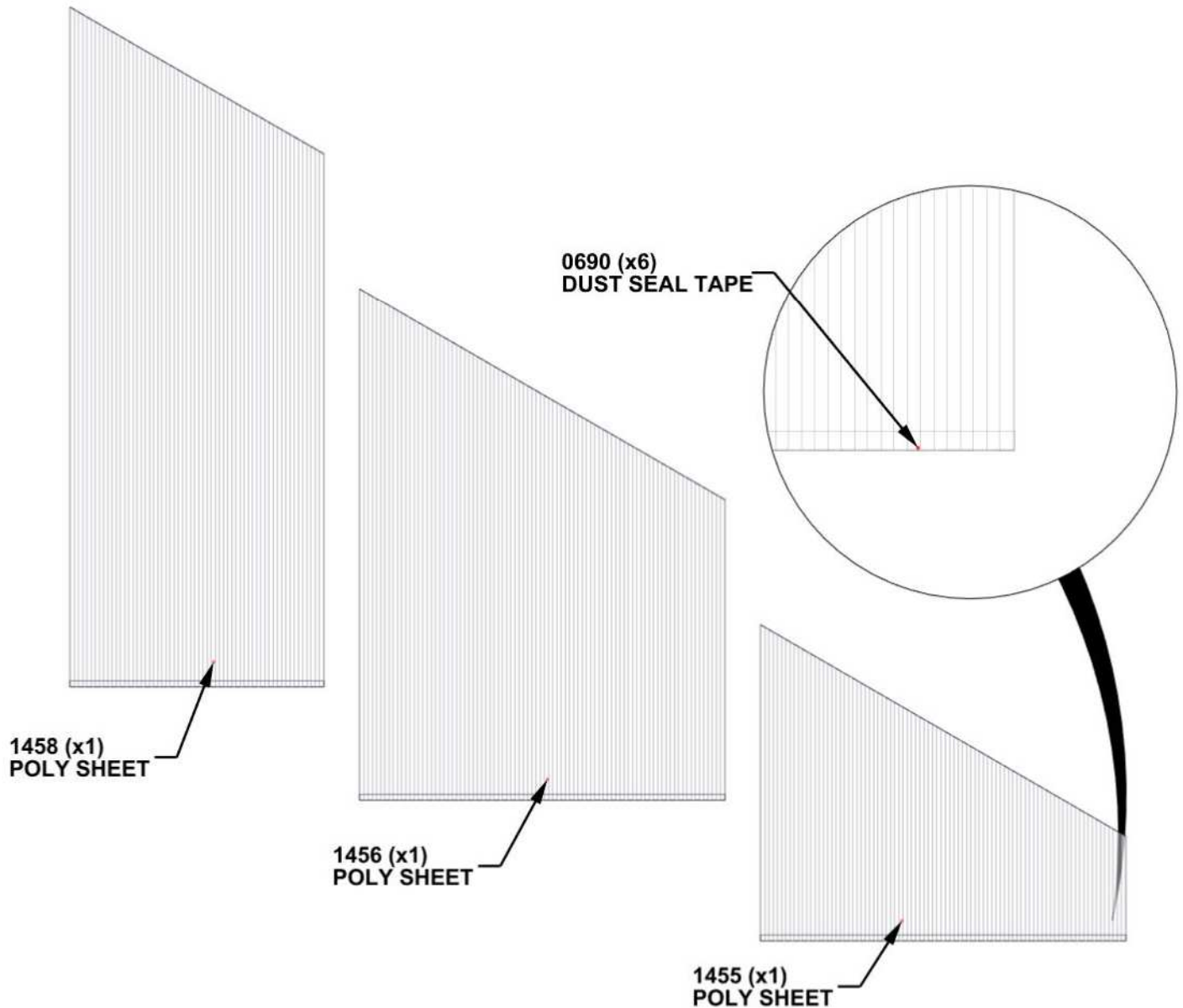
1455 POLY SHEET - A6P01455  
(x1) 16 3/4"x19 5/8"x3/8" (10x498x425.5)



A6P00690 DUST SEAL TAPE

## TO APPLY DUST SEAL TAPE:

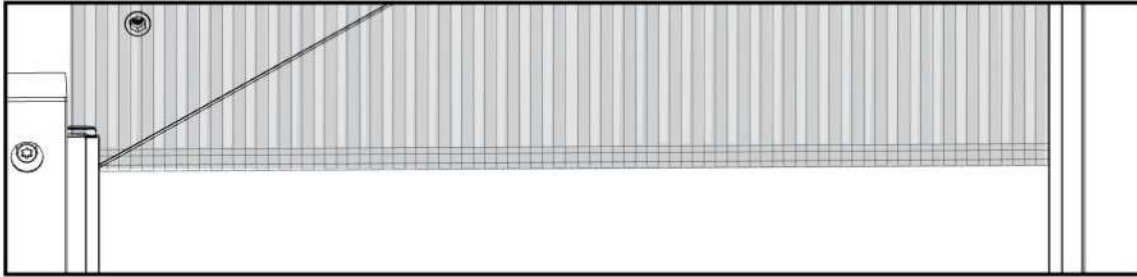
- CUT 3 STRIPS OF DUST SEAL TAPE THE SAME WIDTH AS THE BOTTOM POLY SHEETS.
- WRAP DUST SEAL TAPE ALONG BOTTOM EDGE OF POLY SHEET WIDTH.
- CUT 3 STRIPS OF DUST SEAL TAPE THE SAME WIDTH AS THE TOP POLY SHEET.
- WRAP DUST SEAL TAPE ALONG TOP EDGE OF POLY SHEET WIDTH.



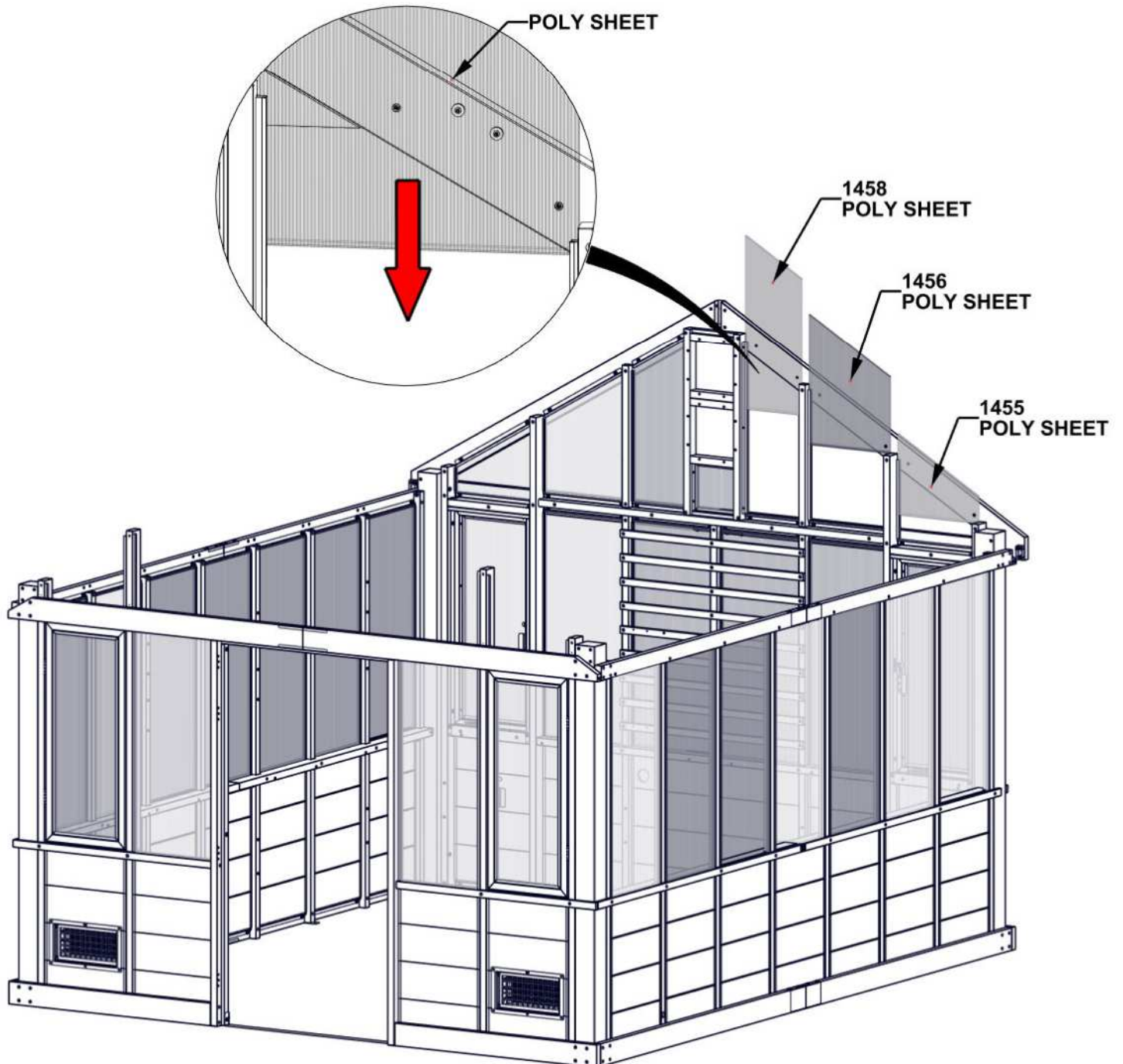
# STEP 85 - GABLE ASSEMBLY

## IMPORTANT!

- ENSURE UV SIDE OF POLY SHEETS ARE FACING OUTSIDE.
- REMOVE THE PROTECTIVE FILM PRIOR TO INSTALLATION OF POLY SHEETS.



- INSERT POLY SHEETS INTO CHANNELS OF UPRIGHT.
- PUSH THE SHEETS UNTIL THEY CONTACT THE BOTTOM.



# STEP 86 - GABLE ASSEMBLY

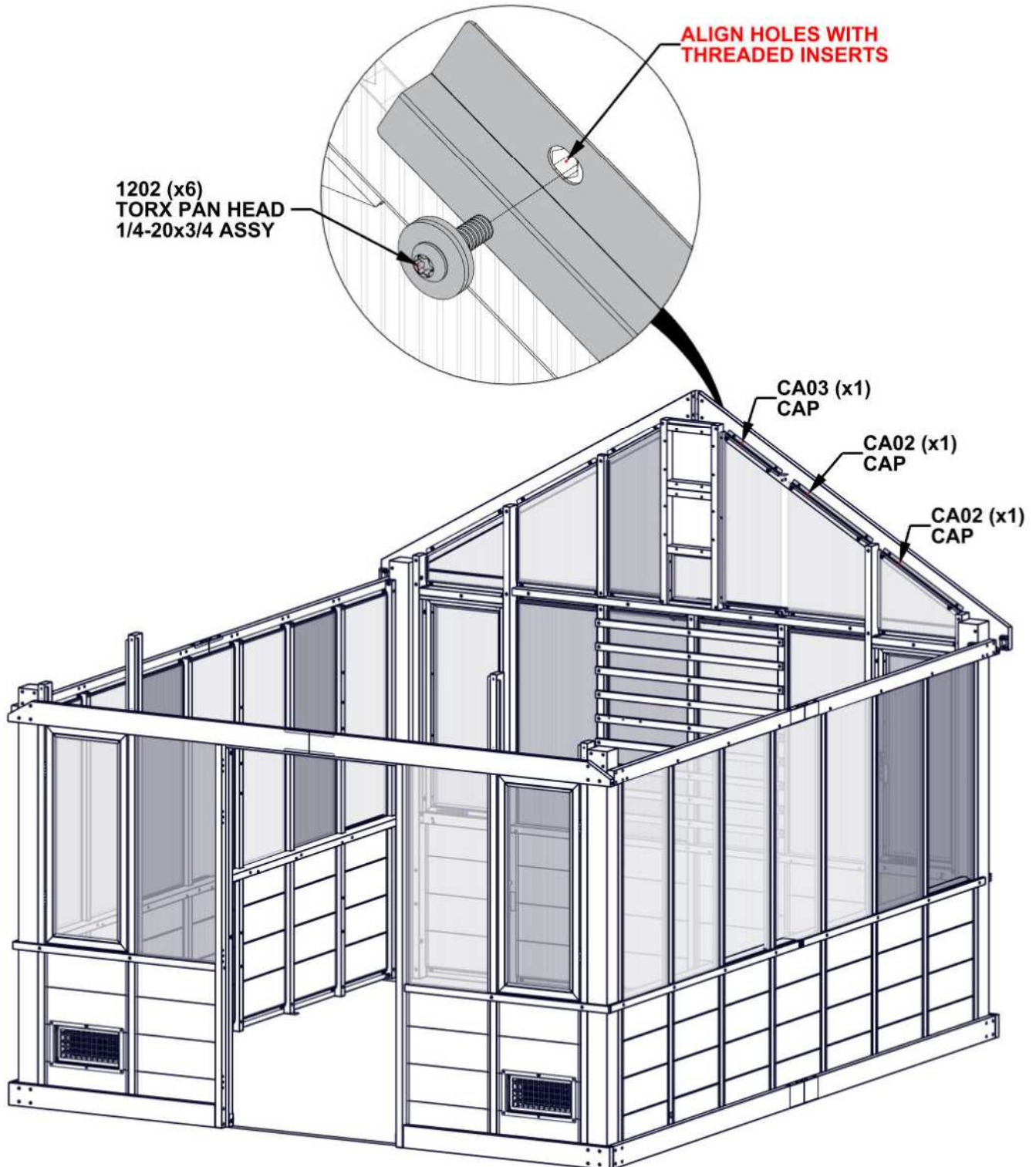
QTY	PART NUMBER	DESCRIPTION
6	H101202	TORX PAN HEAD 1/4-20x3/4 ASSY



CA02 CAP - A4M05412  
(x2) 21 5/8"x1 7/16"x1/2" (12.8x37x550)



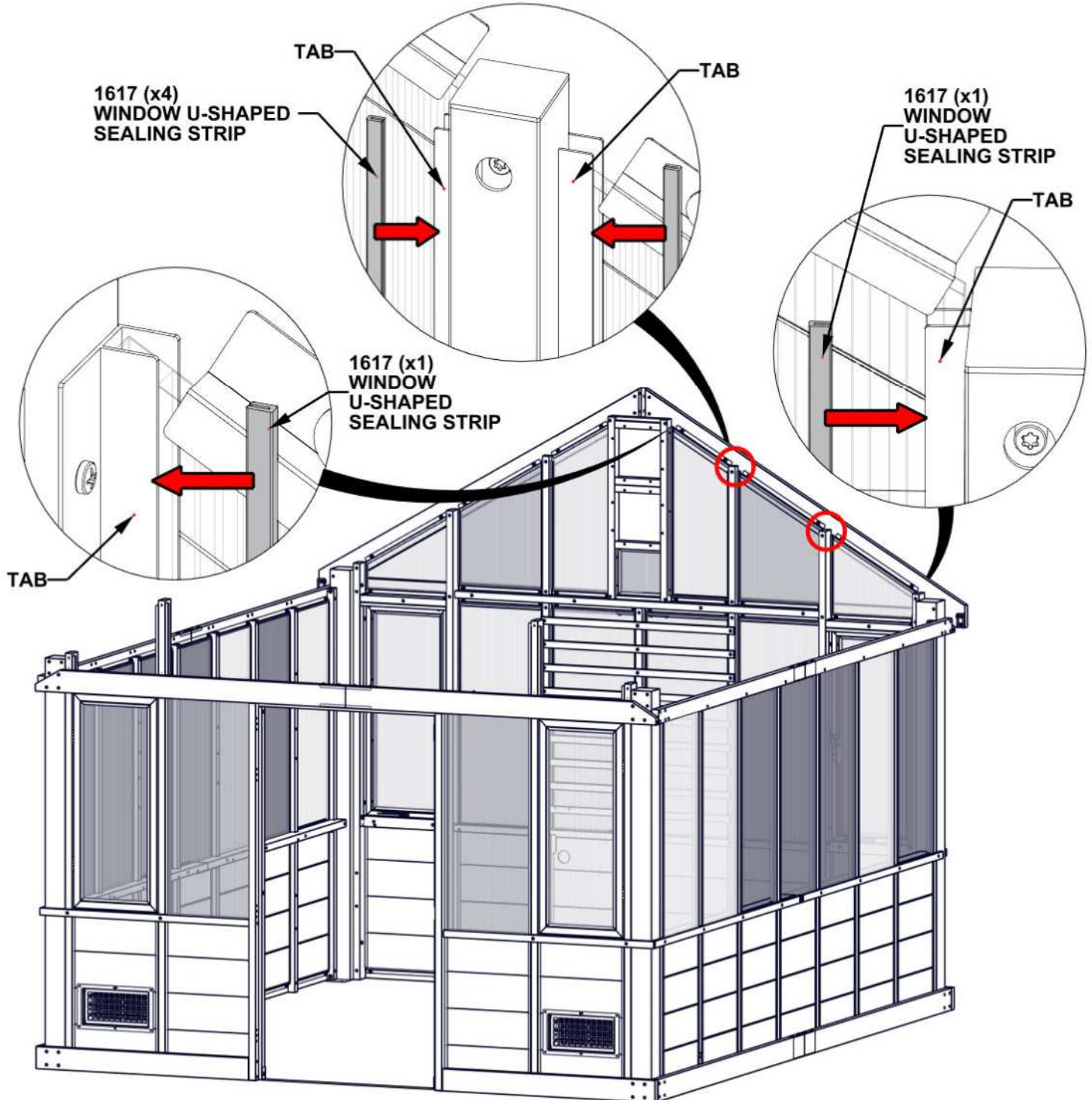
CA03 CAP - A4M05414  
(x1) 14 5/8"x1/2"x1 7/16" (12.8x37x372)



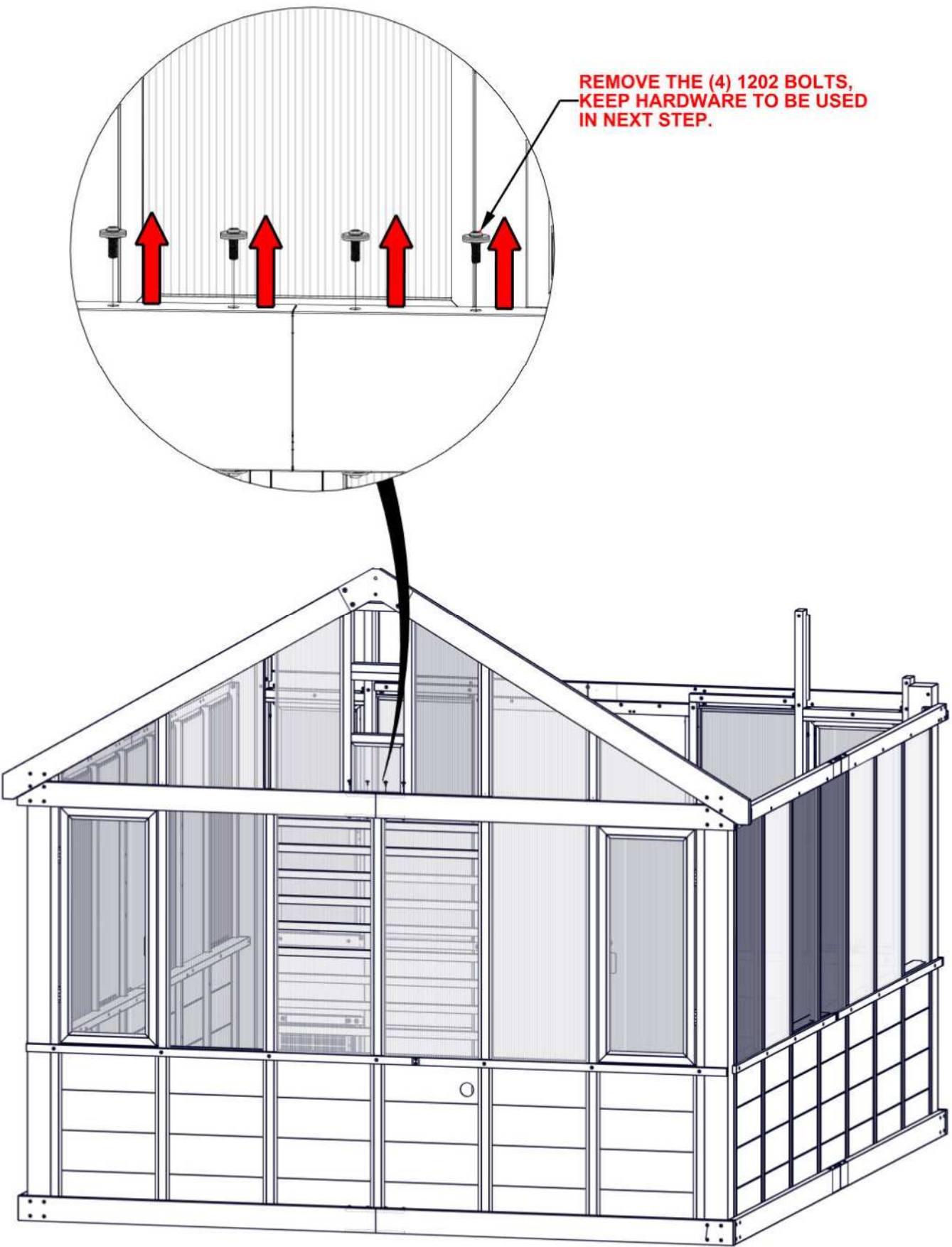
# STEP 87 - GABLE ASSEMBLY

A6P01617 WINDOW U-SHAPED SEALING STRIP  
(x1)

- CUT 6 STRIPS OF SEALING STRIP THE SAME HEIGHT AS THE TAB ON UPRIGHT.
- SLIDE SEALING STRIP ONTO THE TAB FACING OUTWARD ON UPRIGHT.



# STEP 88A - GABLE ASSEMBLY



REMOVE THE (4) 1202 BOLTS,  
KEEP HARDWARE TO BE USED  
IN NEXT STEP.

BACK

# STEP 88B - GABLE ASSEMBLY

**NOTE: USE HARDWARE FROM PREVIOUS STEP.**

QTY	PART NUMBER	DESCRIPTION
8	H101202	TORX PAN HEAD 1/4-20x3/4 ASSY
6	H101159	PHILLIPS ROUND HEAD 8-18x.5



5030 ANGLE TRIM - A4M05030  
(x1) 65 7/8"x1 7/16"x1" (25.8x36.9x1674)



5031 ANGLE TRIM - A4M05031  
(x1) 65 7/8"x1 7/16"x1" (25.8x36.90x1674.00)



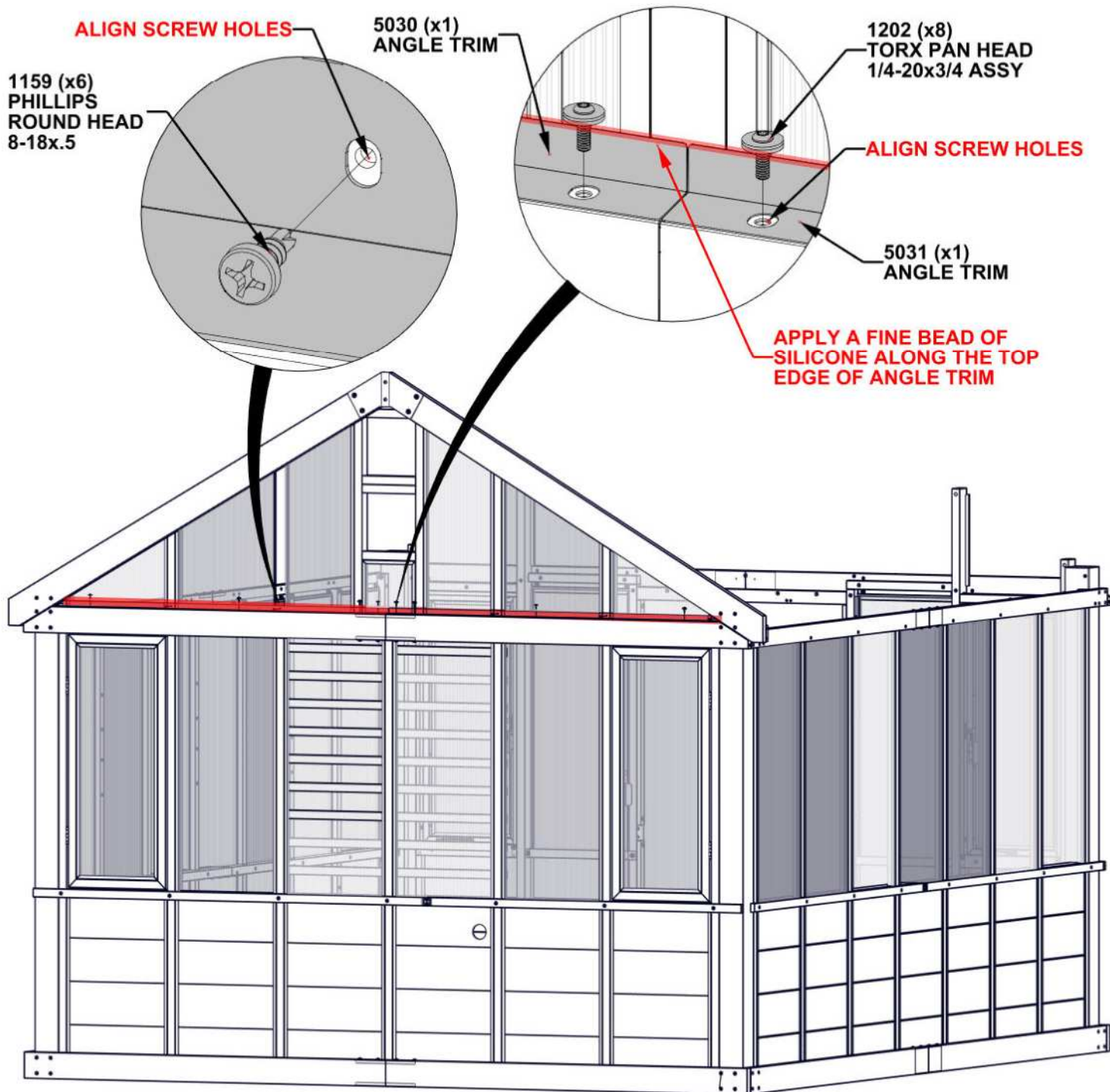
A6P01531 10 OZ SILICONE TUBE  
(x2)



H101464 CAULK GUN  
(x1)

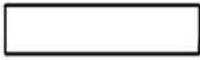
- ATTACH 5030 AND 5031 TO BEAMS, APPLY A FINE BEAD OF SILICONE ALONG THE TOP EDGE OF ANGLE TRIM.
- SMOOTH SILICONE, WIPING EXCESS USING A RAG OR PAPER TOWEL.

**TIP: GLOVES ARE RECOMMENDED WHEN APPLYING SILICONE.  
MAKE SURE SURFACE OF ANGLE TRIM IS CLEAN, DRY, AND FREE OF ANY DIRT/DEBRIS.**



# STEP 89 - BEAM ASSEMBLY

QTY	PART NUMBER	DESCRIPTION
8	H101202	TORX PAN HEAD 1/4-20x3/4 ASSY



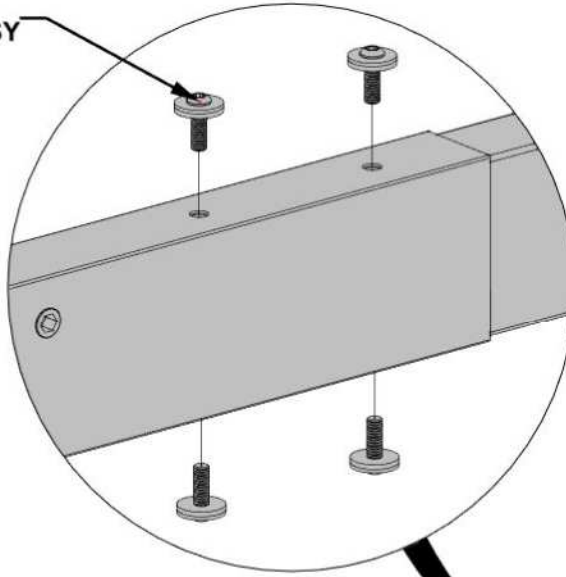
J1 BEAM SPLICE BRACKET - A4M04952  
(x2) 1 1/2"x3 1/16"x11 13/16" (37.2x77.2x300)



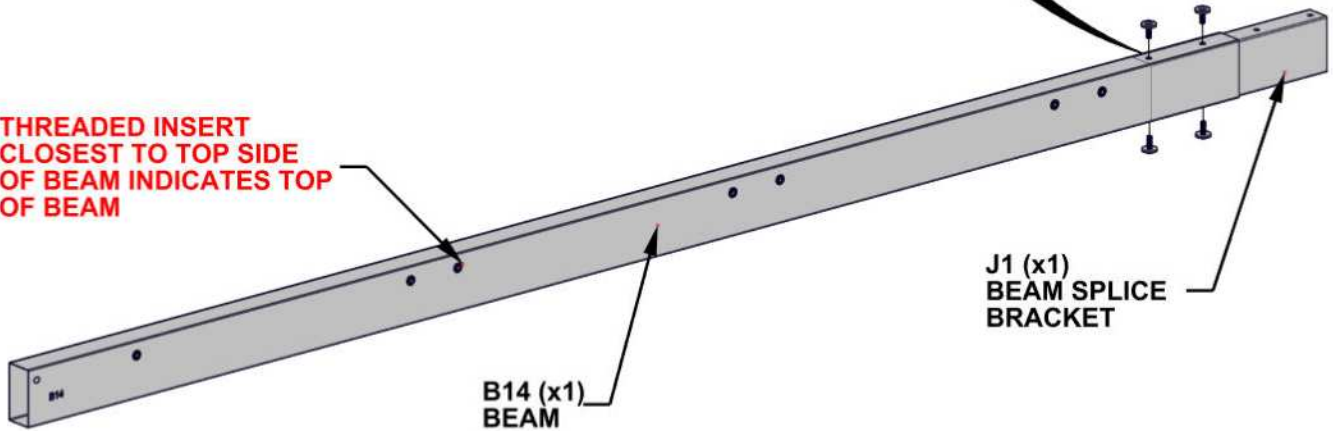
B14 BEAM - A4M05005  
(x2) 80 13/16"x3 1/8"x1 9/16" (40x80x2052)

- FOR EASE OF ASSEMBLY, WE RECOMMEND USING SAWHORSES FOR STEPS 89 - 94.
- BEAM AND SPLICE MUST BE ORIENTED AS SHOWN. SLIDE J1 INTO B14 AND LINE UP TWO HOLES TOP AND BOTTOM
- REPEAT THIS STEP 2 TIMES.

1202 (x4)  
TORX PAN HEAD 1/4-20x3/4 ASSY  
**HAND TIGHTEN ONLY**



**THREADED INSERT  
CLOSEST TO TOP SIDE  
OF BEAM INDICATES TOP  
OF BEAM**



# STEP 90 - BEAM ASSEMBLY

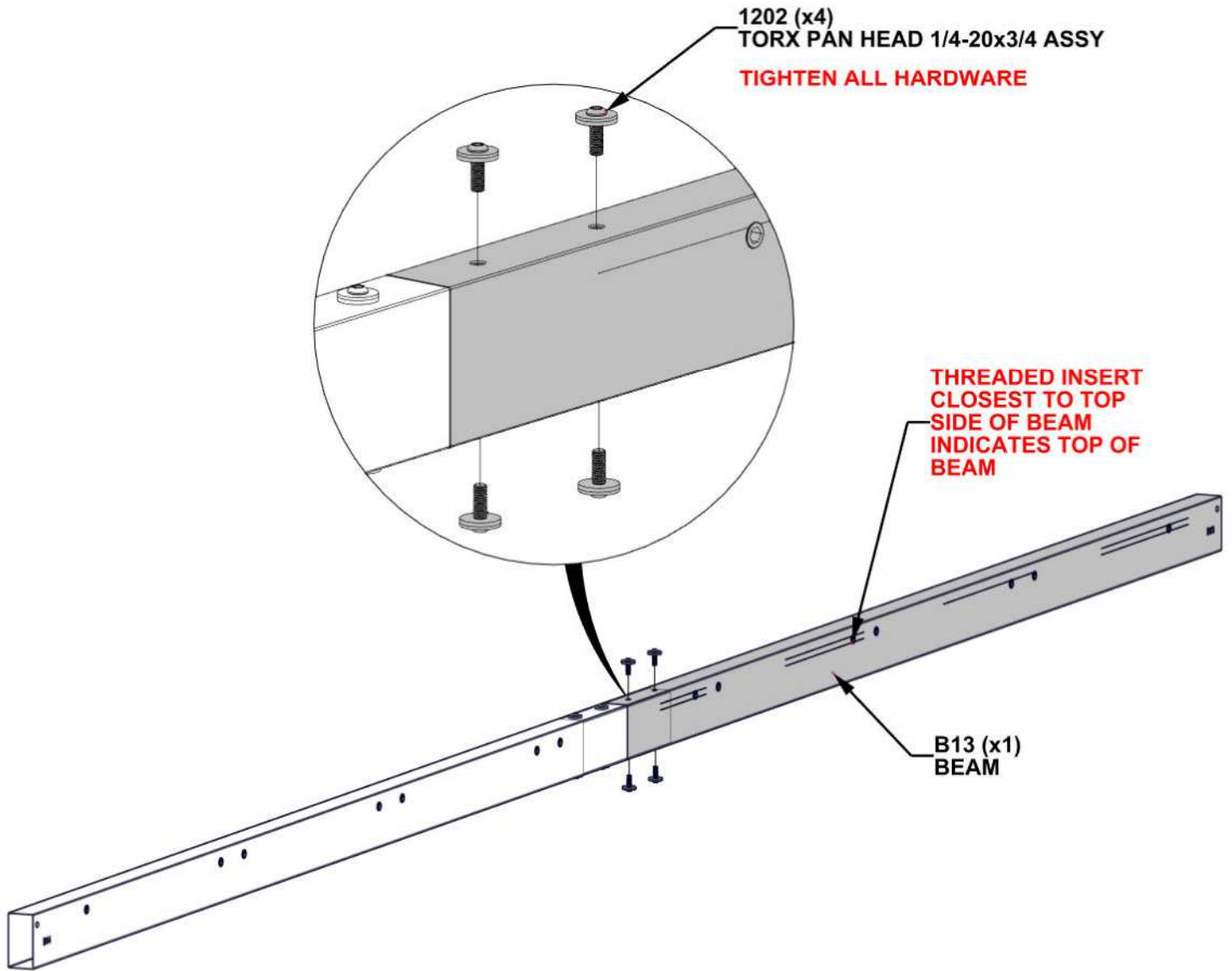
QTY	PART NUMBER	DESCRIPTION
8	H101202	TORX PAN HEAD 1/4-20x3/4 ASSY



B13 BEAM - A4M05004  
(x2) 80 13/16"x3 1/8"x1 9/16" (40x80x2052)

- SLIDE B13 ONTO SPLICE BRACKET.  
GENTLY TAP ENDS OF ASSEMBLY WITH  
RUBBER Mallet UNTIL GAP CLOSES.

- REPEAT THIS STEP 2 TIMES.

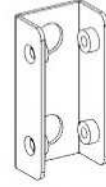


# STEP 91 - GABLE ASSEMBLY

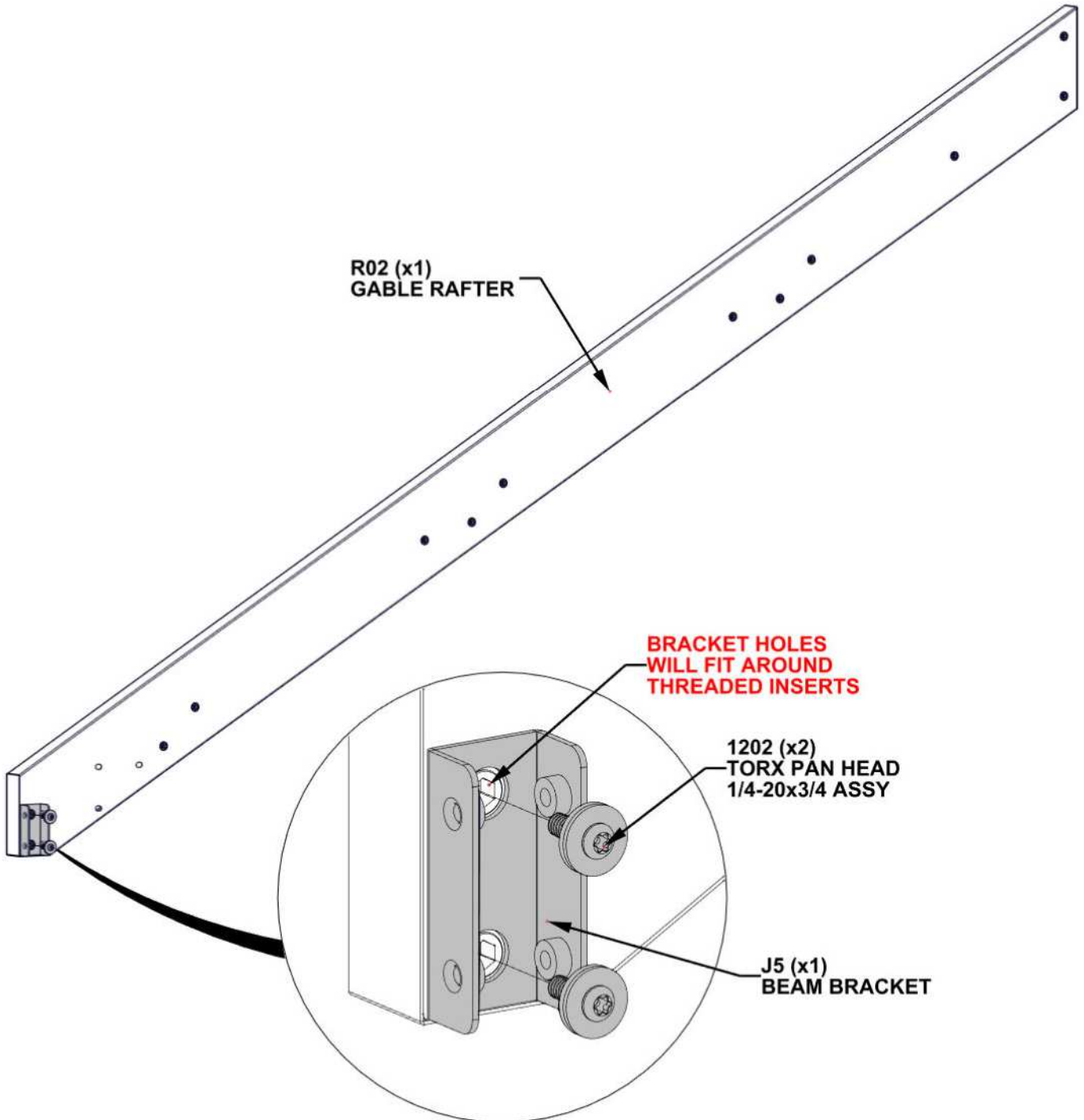
QTY	PART NUMBER	DESCRIPTION
2	H101202	TORX PAN HEAD 1/4-20x3/4 ASSY



R02 GABLE RAFTER - A4M04978  
(x1) 85 3/16"x5 1/4"x1 7/16" (36x134x2164.5)



J5 BEAM BRACKET - A4M04950  
(x1) 3"x1 7/16"x15/16" (24x37.2x76)

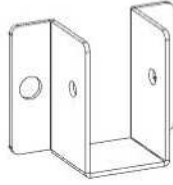


# STEP 92 - GABLE ASSEMBLY

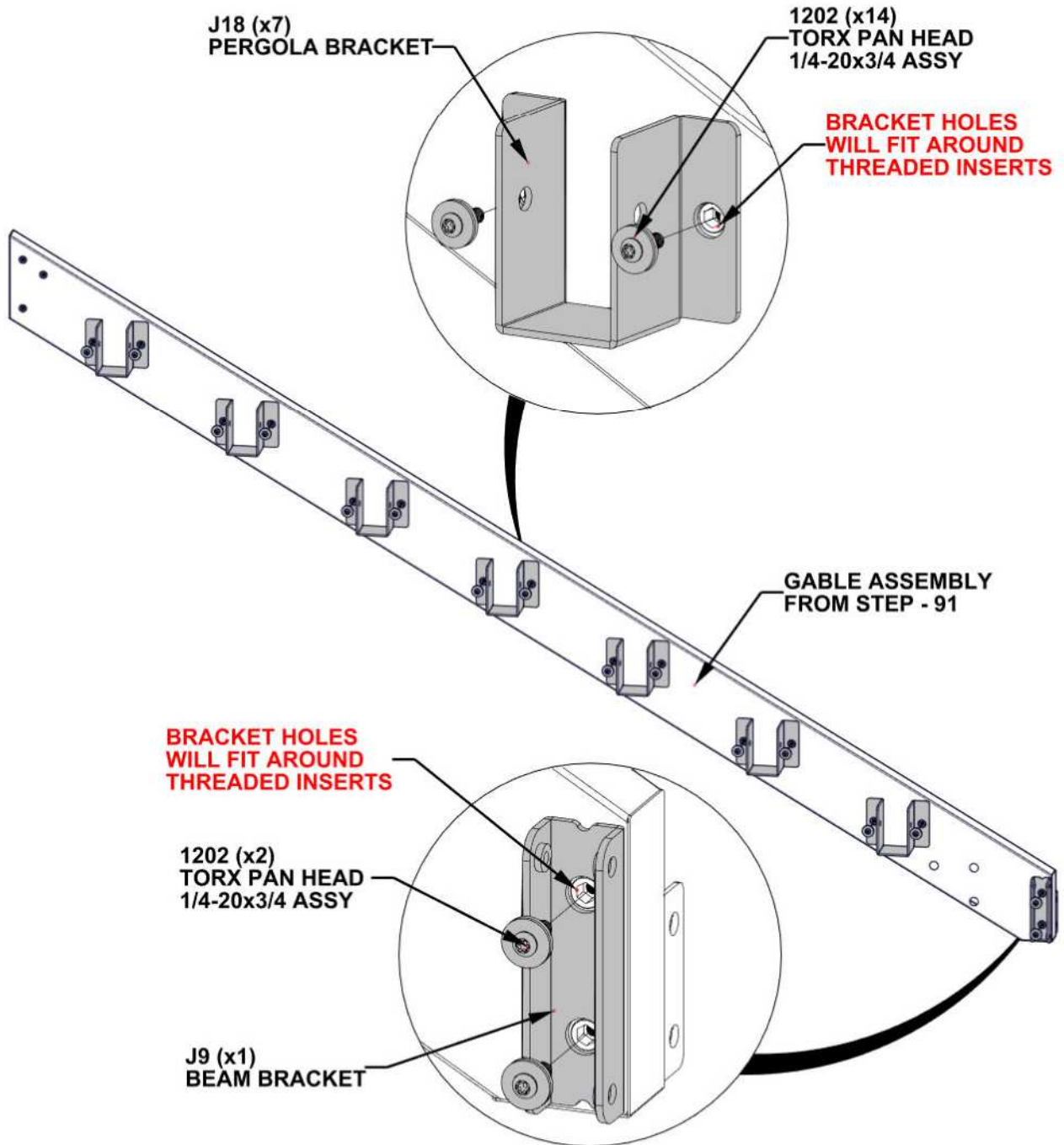
QTY	PART NUMBER	DESCRIPTION
16	H101202	TORX PAN HEAD 1/4-20x3/4 ASSY



**J9 BEAM BRACKET - A4M03807**  
 (x1) 5 9/16"x1 5/16"x4 9/16" (140.57x33.20x116)



**J18 PERGOLA BRACKET - A4M05292**  
 (x7) 4 7/16"x2 1/16"x3 5/8" (88x53x112)

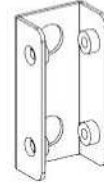


# STEP 93 - GABLE ASSEMBLY

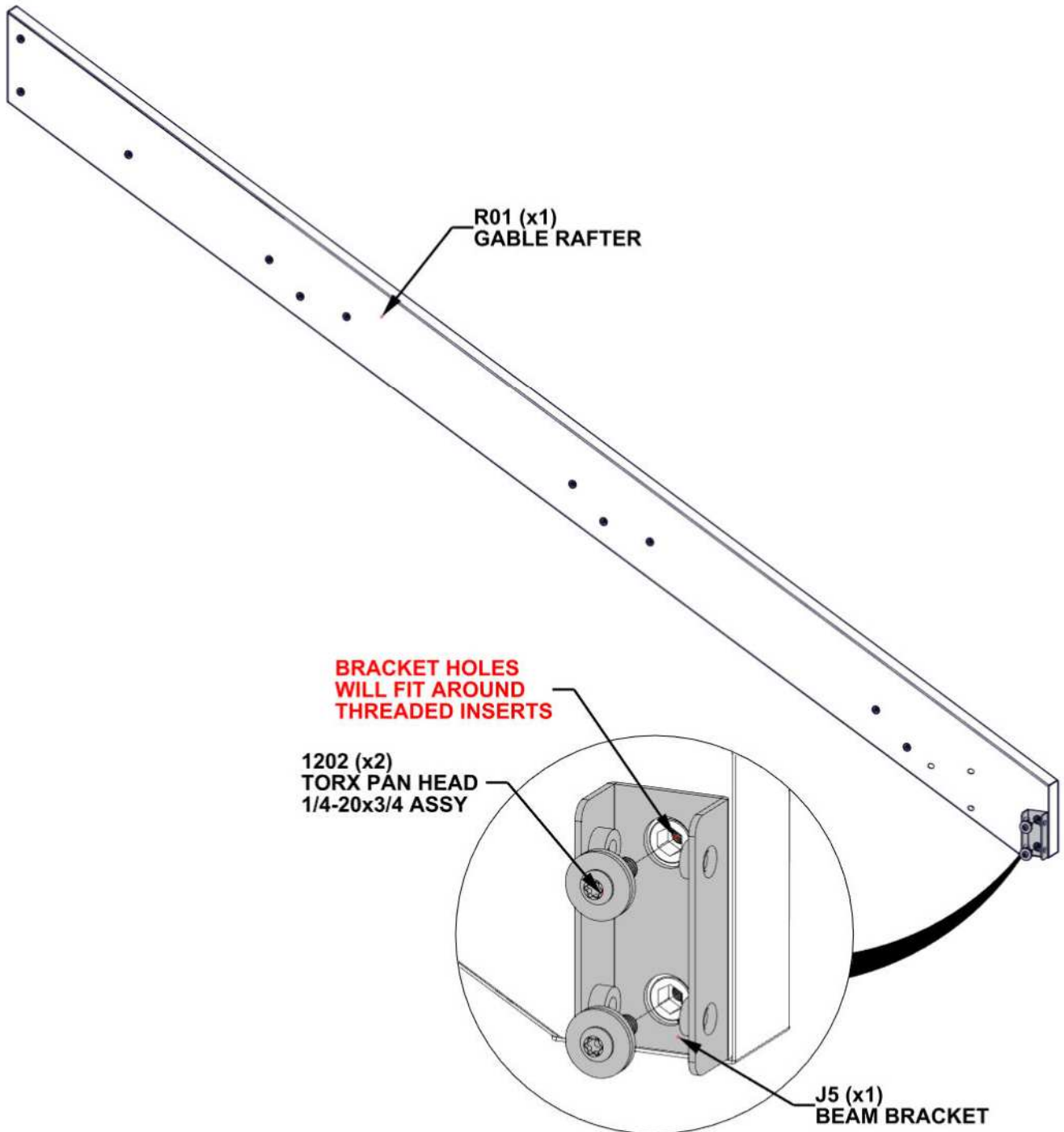
QTY	PART NUMBER	DESCRIPTION
2	H101202	TORX PAN HEAD 1/4-20x3/4 ASSY



**R01 GABLE RAFTER - A4M04977**  
 (x1) 85 3/16"x5 1/4"x1 7/16" (36x134x2164.5)



**J5 BEAM BRACKET - A4M04950**  
 (x1) 3"x1 7/16"x15/16" (24x37.2x76)



# STEP 94 - GABLE ASSEMBLY

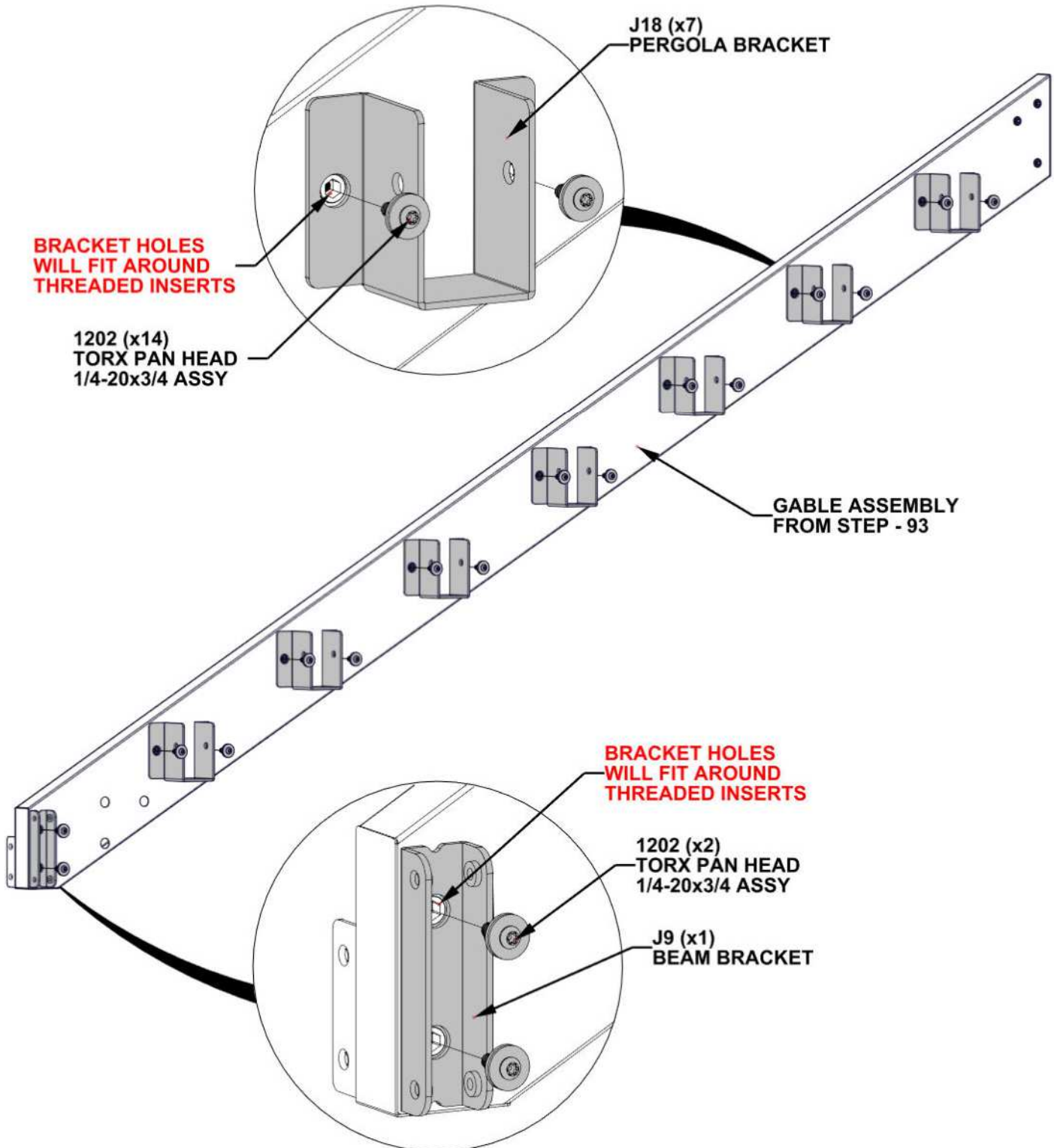
QTY	PART NUMBER	DESCRIPTION
16	H101202	TORX PAN HEAD 1/4-20x3/4 ASSY



**J9 BEAM BRACKET - A4M03807**  
 (x1) 5 9/16"x1 5/16"x4 9/16" (140.57x33.20x116)

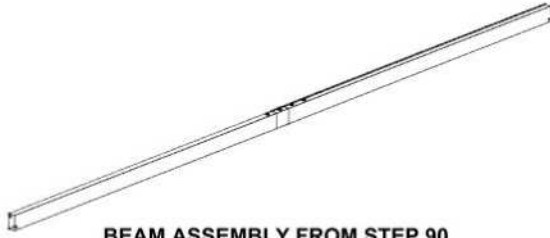


**J18 PERGOLA BRACKET - A4M05292**  
 (x7) 4 7/16"x2 1/16"x3 5/8" (88x53x112)



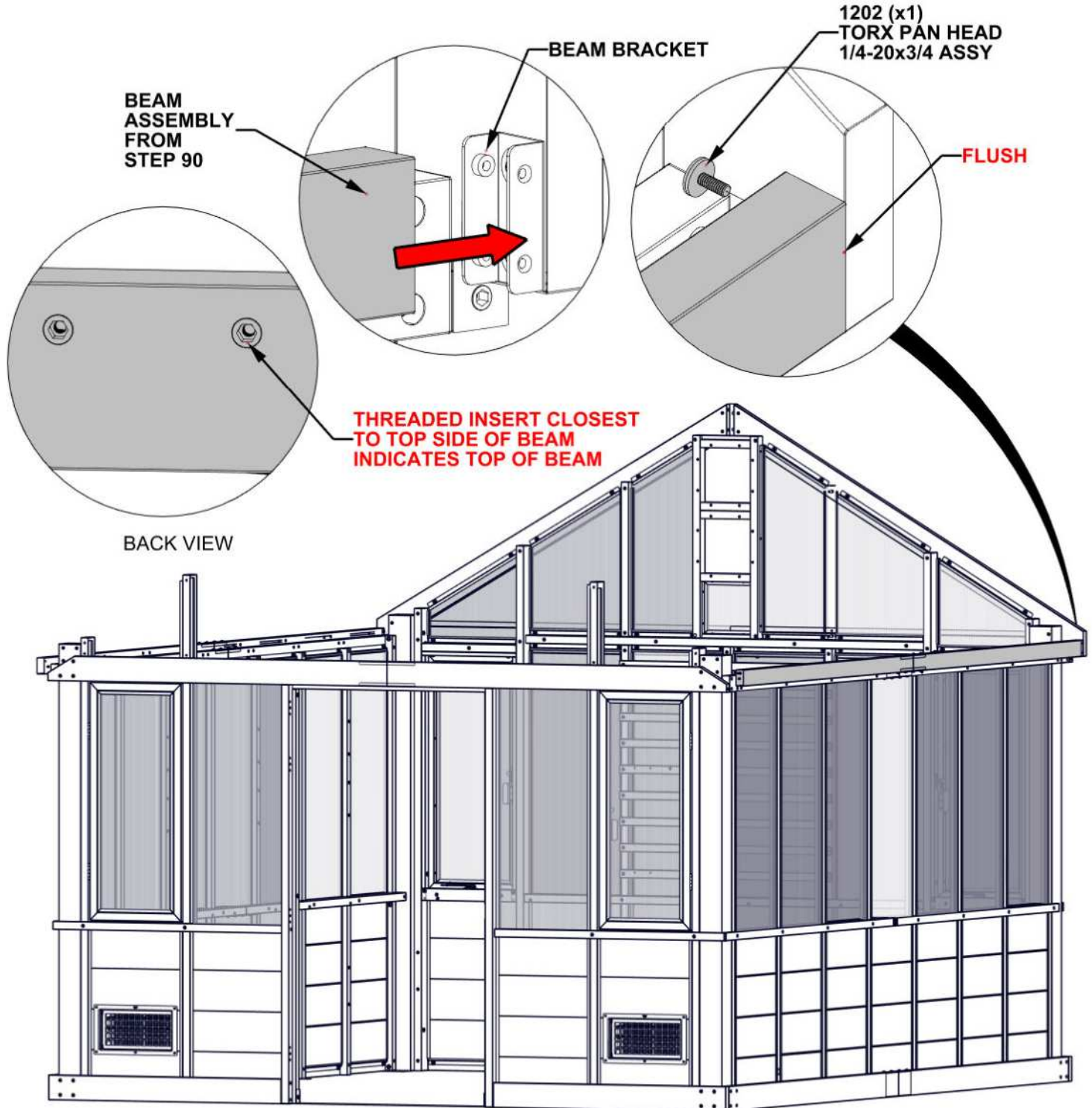
# STEP 95 - BEAM ASSEMBLY

QTY	PART NUMBER	DESCRIPTION
1	H101202	TORX PAN HEAD 1/4-20x3/4 ASSY



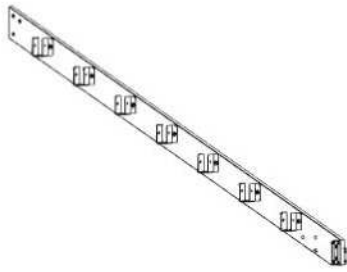
BEAM ASSEMBLY FROM STEP 90

- SLIDE BEAM ASSEMBLY ONTO BEAM BRACKET ON GABLE ASSEMBLY.
- ONE PERSON WILL HOLD UP BEAM ASSEMBLY GOING TO NEXT STEP.



# STEP 96 - GABLE ASSEMBLY

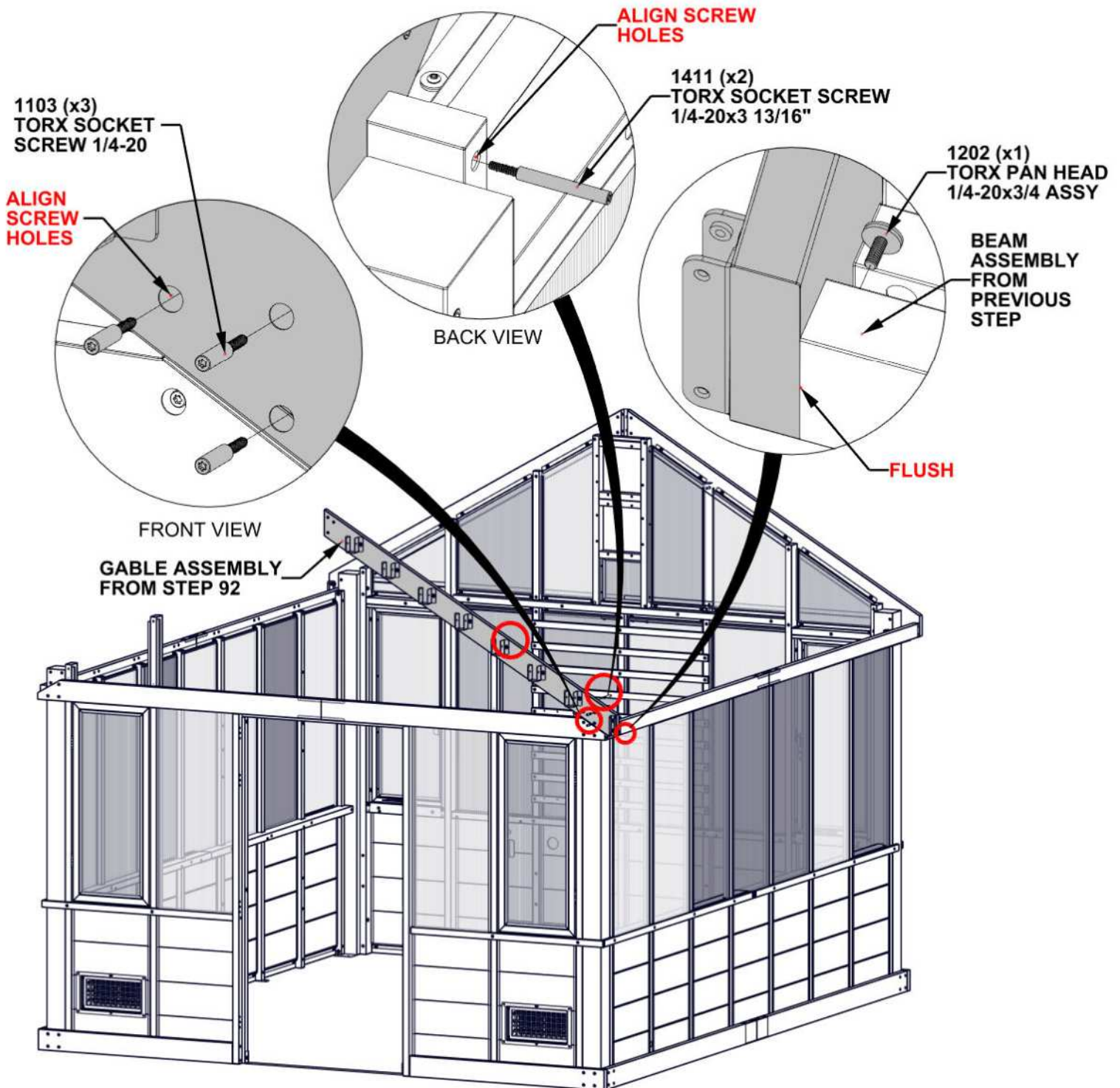
QTY	PART NUMBER	DESCRIPTION
2	H101411	TORX SOCKET SCREW 1/4-20x3 13/16"
1	H101202	TORX PAN HEAD 1/4-20x3/4 ASSY
3	H101103	TORX SOCKET SCREW 1/4-20



GABLE ASSEMBLY FROM STEP 92

- WITH AT LEAST TWO ADDITIONAL PEOPLE, SLIDE BEAM BRACKET ON GABLE ASSEMBLY INTO BEAM ASSEMBLY.
- FLUSH GABLE ASSEMBLY WITH BEAM ASSEMBLY AND THEN ATTACH SCREWS.

- **HAND TIGHTEN ONLY.**



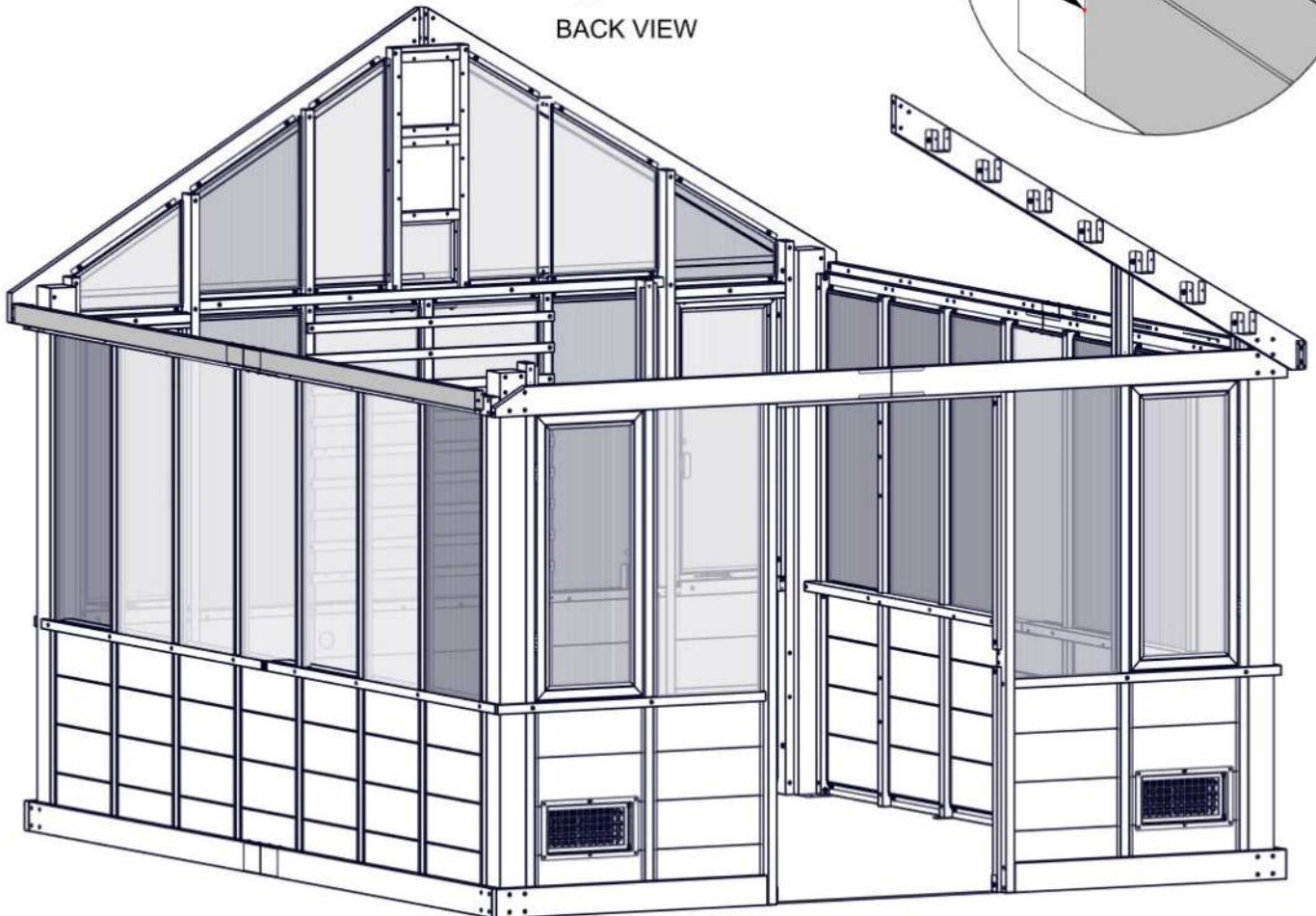
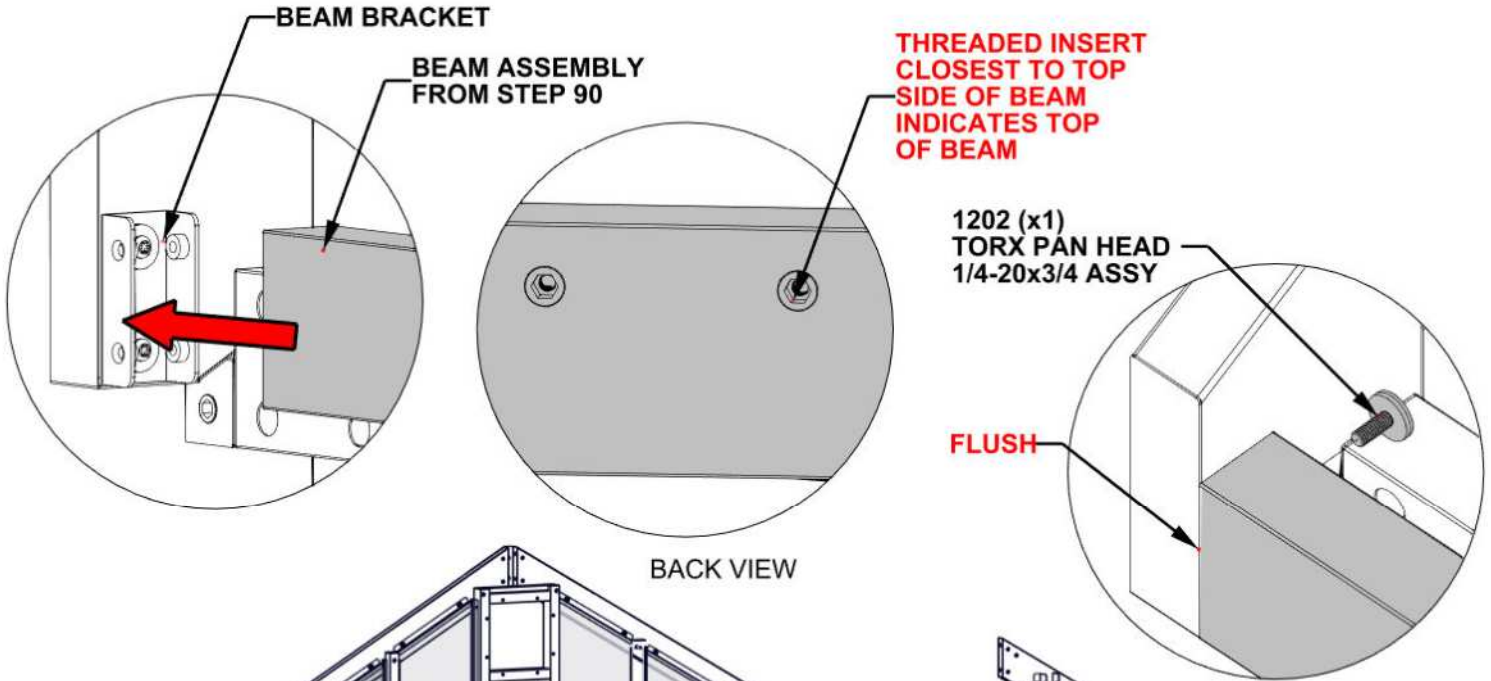
# STEP 97 - GABLE ASSEMBLY

QTY	PART NUMBER	DESCRIPTION
1	H101202	TORX PAN HEAD 1/4-20x3/4 ASSY



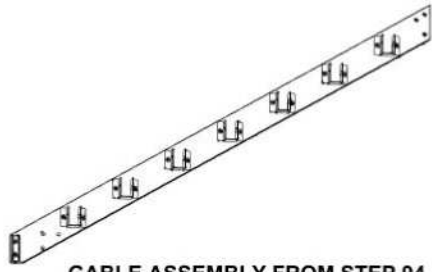
BEAM ASSEMBLY FROM STEP 90

- SLIDE BEAM ASSEMBLY ONTO BEAM BRACKET ON GABLE ASSEMBLY.
- ONE PERSON WILL HOLD UP BEAM ASSEMBLY GOING TO NEXT STEP.



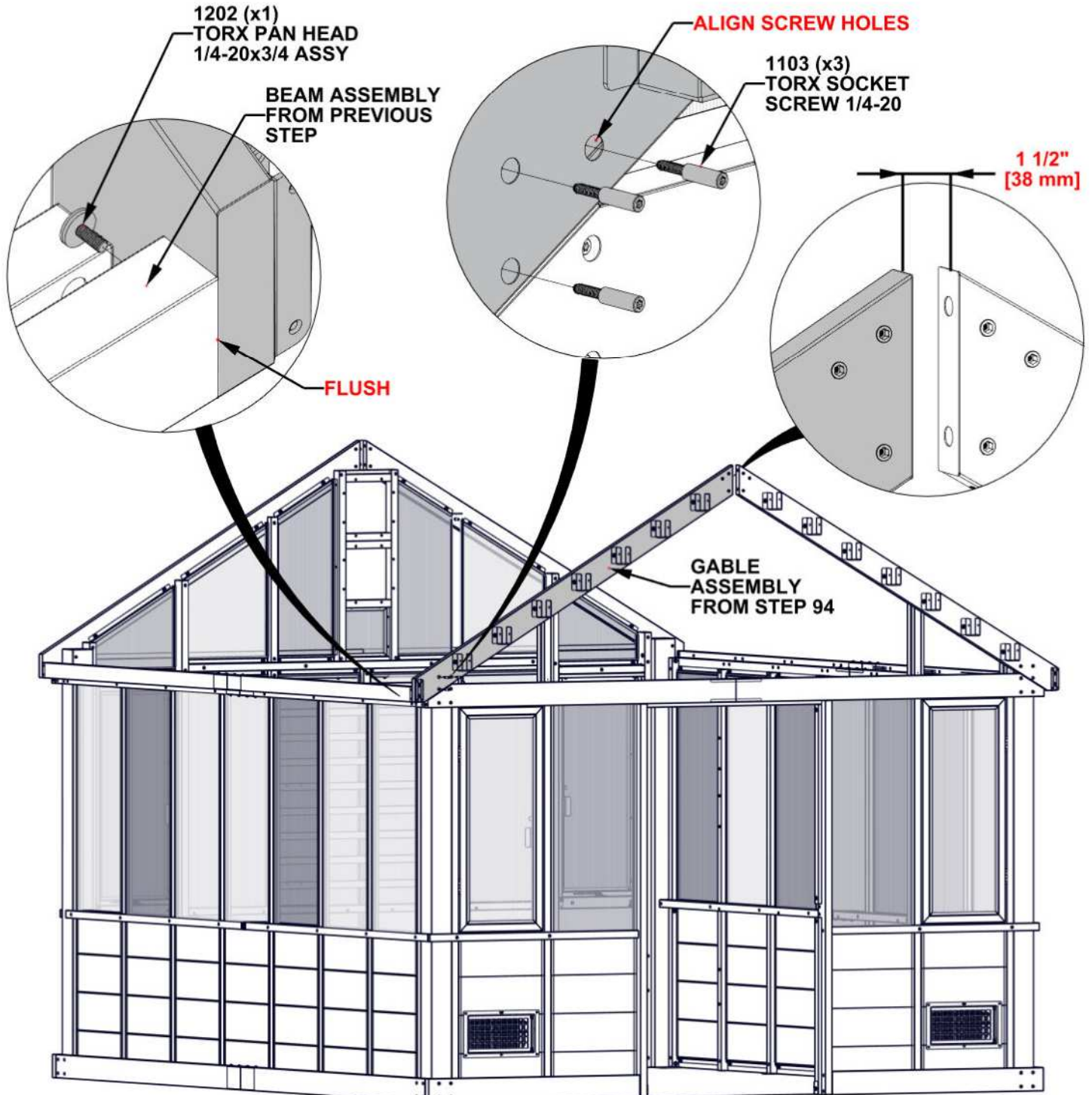
# STEP 98 - GABLE ASSEMBLY

QTY	PART NUMBER	DESCRIPTION
1	H101202	TORX PAN HEAD 1/4-20x3/4 ASSY
3	H101103	TORX SOCKET SCREW 1/4-20



- WITH AT LEAST TWO ADDITIONAL PEOPLE, SLIDE BEAM BRACKET ON GABLE ASSEMBLY INTO BEAM ASSEMBLY.
- FLUSH GABLE ASSEMBLY WITH BEAM ASSEMBLY AND THEN ATTACH SCREWS.

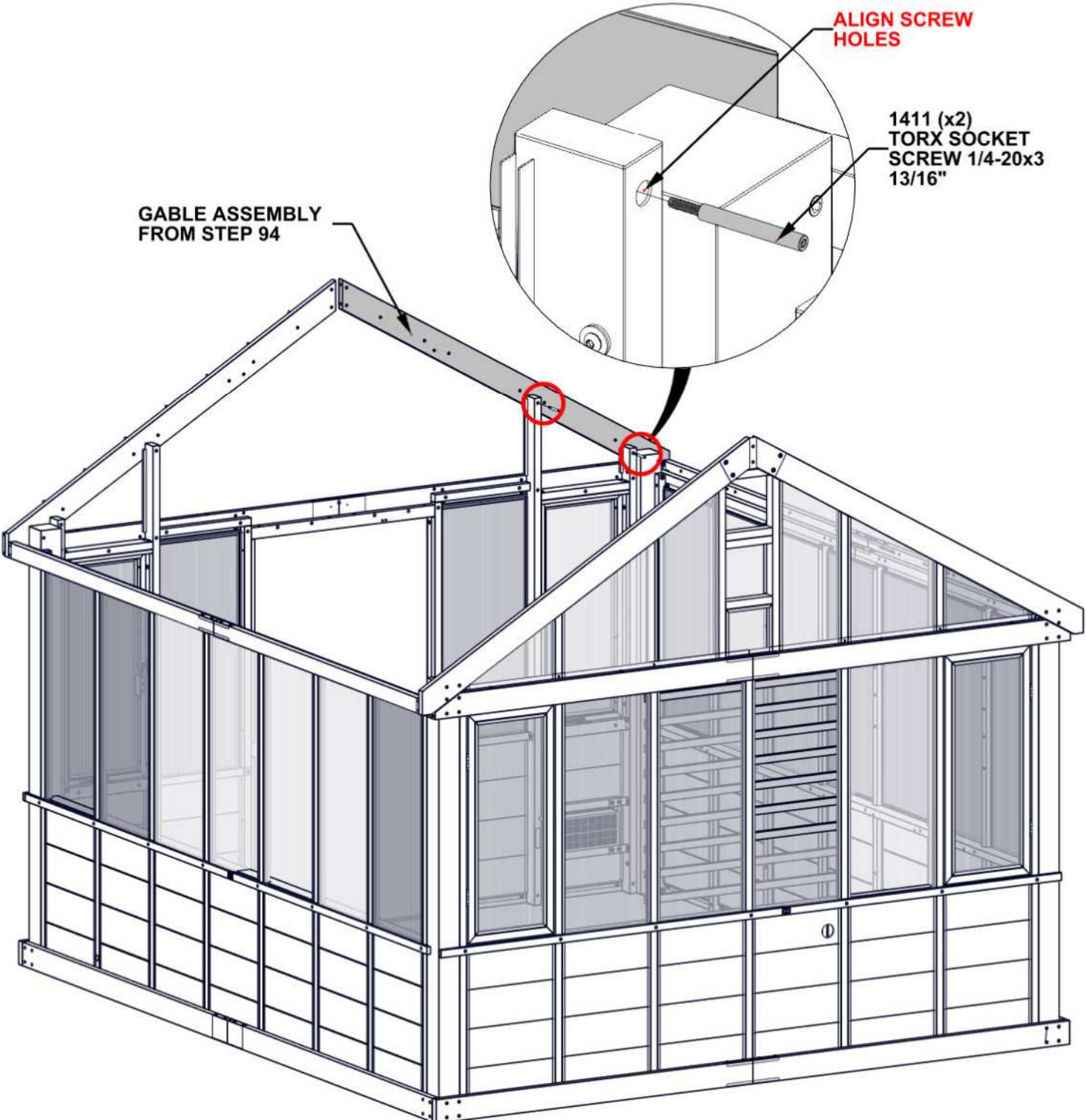
- **HAND TIGHTEN ONLY.**



# STEP 99 - GABLE ASSEMBLY

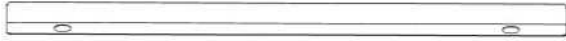
QTY	PART NUMBER	DESCRIPTION
2	H101411	TORX SOCKET SCREW 1/4-20x3 13/16"

- HAND TIGHTEN ONLY.



# STEP 100 - GABLE ASSEMBLY

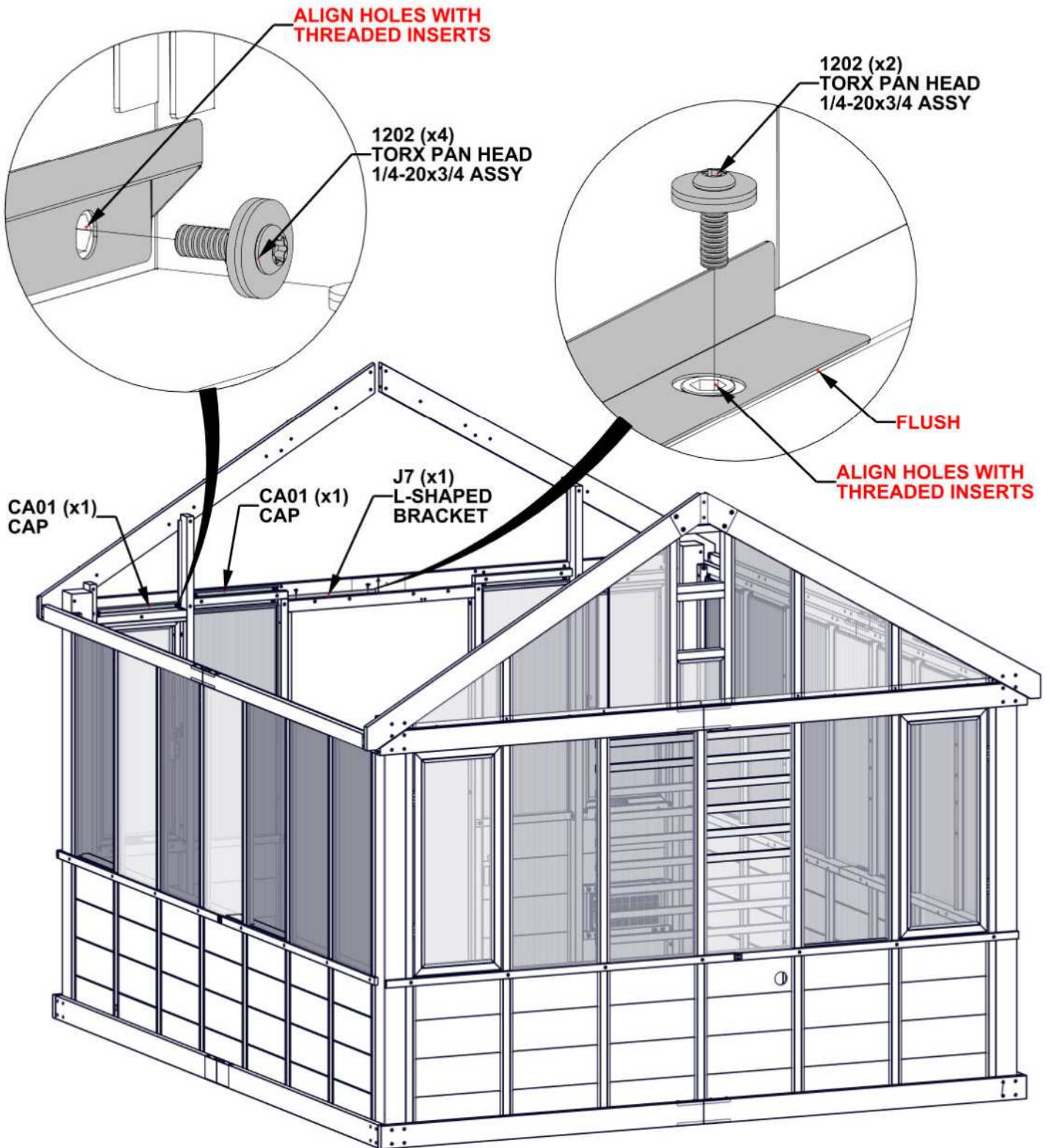
QTY	PART NUMBER	DESCRIPTION
6	H101202	TORX PAN HEAD 1/4-20x3/4 ASSY



J7 L-SHAPED BRACKET - A4M05003  
(x1) 19 3/4"x1 1/8"x13/16" (20x29x502)



CA01 CAP - A4M05407  
(x2) 19 13/16"x1 3/16"x1/2" (12.8x30.2x503.8)



# STEP 101 - GABLE ASSEMBLY

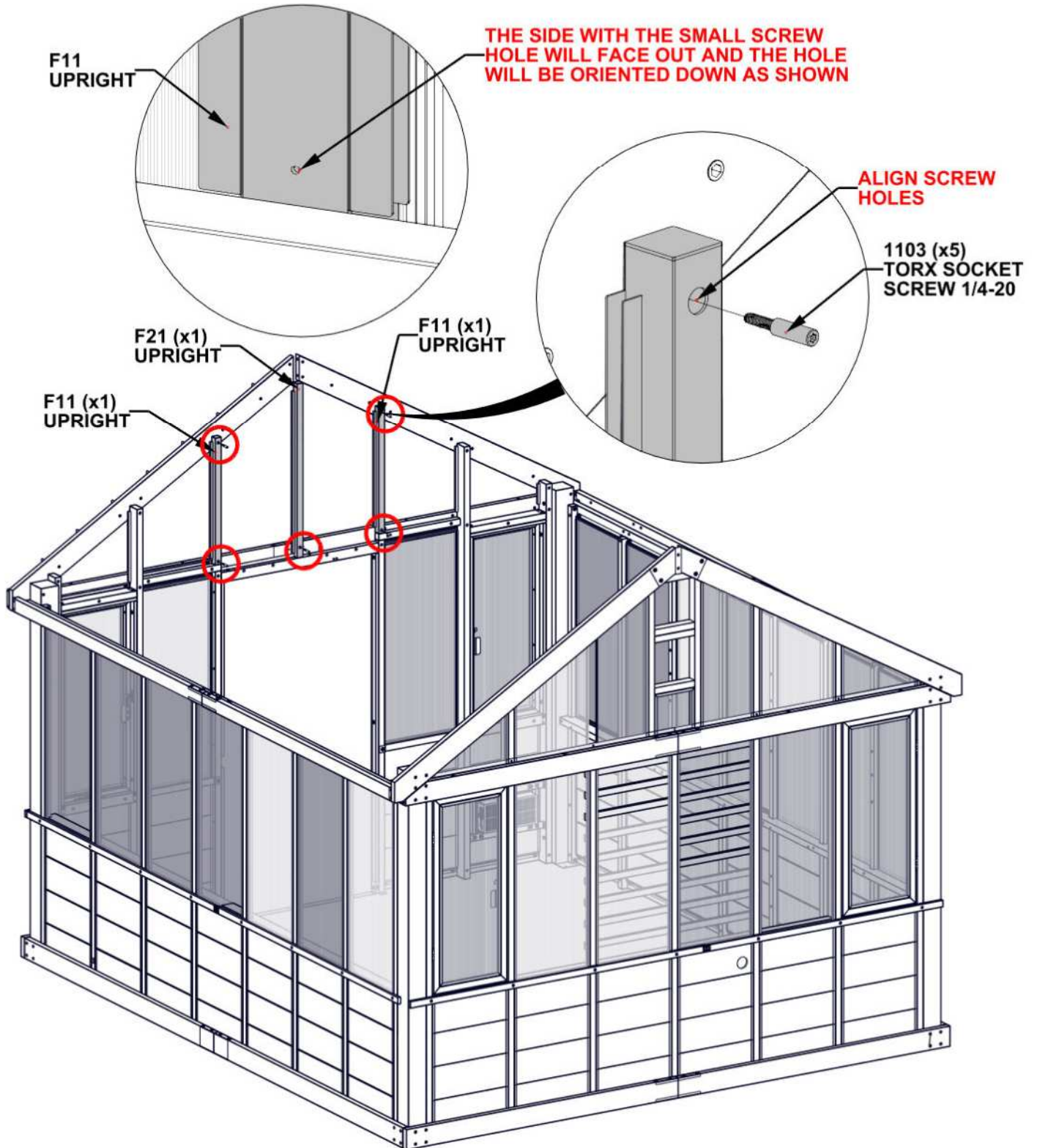
QTY	PART NUMBER	DESCRIPTION
5	H101103	TORX SOCKET SCREW 1/4-20



F11 UPRIGHT - A4M04990  
(x2) 29 13/16"x2 3/4"x1 9/16" (40x70x758)

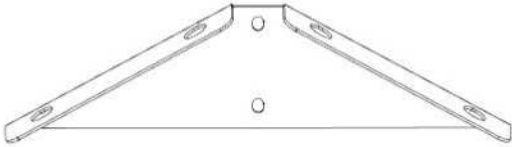


F21 UPRIGHT - A4M05013  
(x1) 41 1/16"x1 9/16"x2 3/4" (70x40x1043.5)

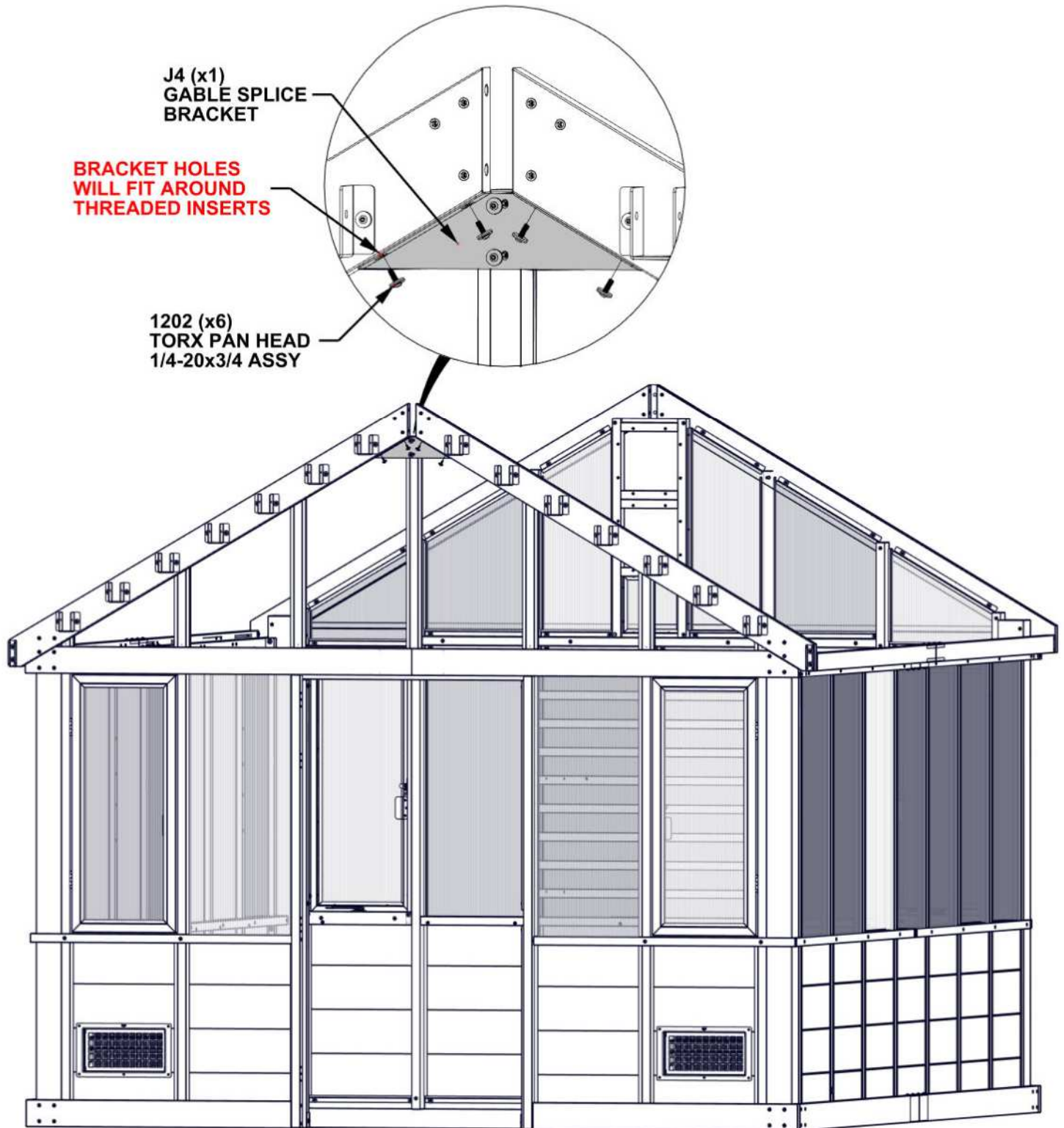


# STEP 102 - GABLE ASSEMBLY

QTY	PART NUMBER	DESCRIPTION
6	H101202	TORX PAN HEAD 1/4-20x3/4 ASSY



J4 GABLE SPLICE BRACKET - A4M05333  
(x1) 14 1/4"x3 3/4"x1/16" (2x95.3x362)



# STEP 103 - GABLE ASSEMBLY

1612 POLY SHEET - A6P01612  
(x1) 16 3/4"x19 5/8"x3/8" (10x498x425.5)

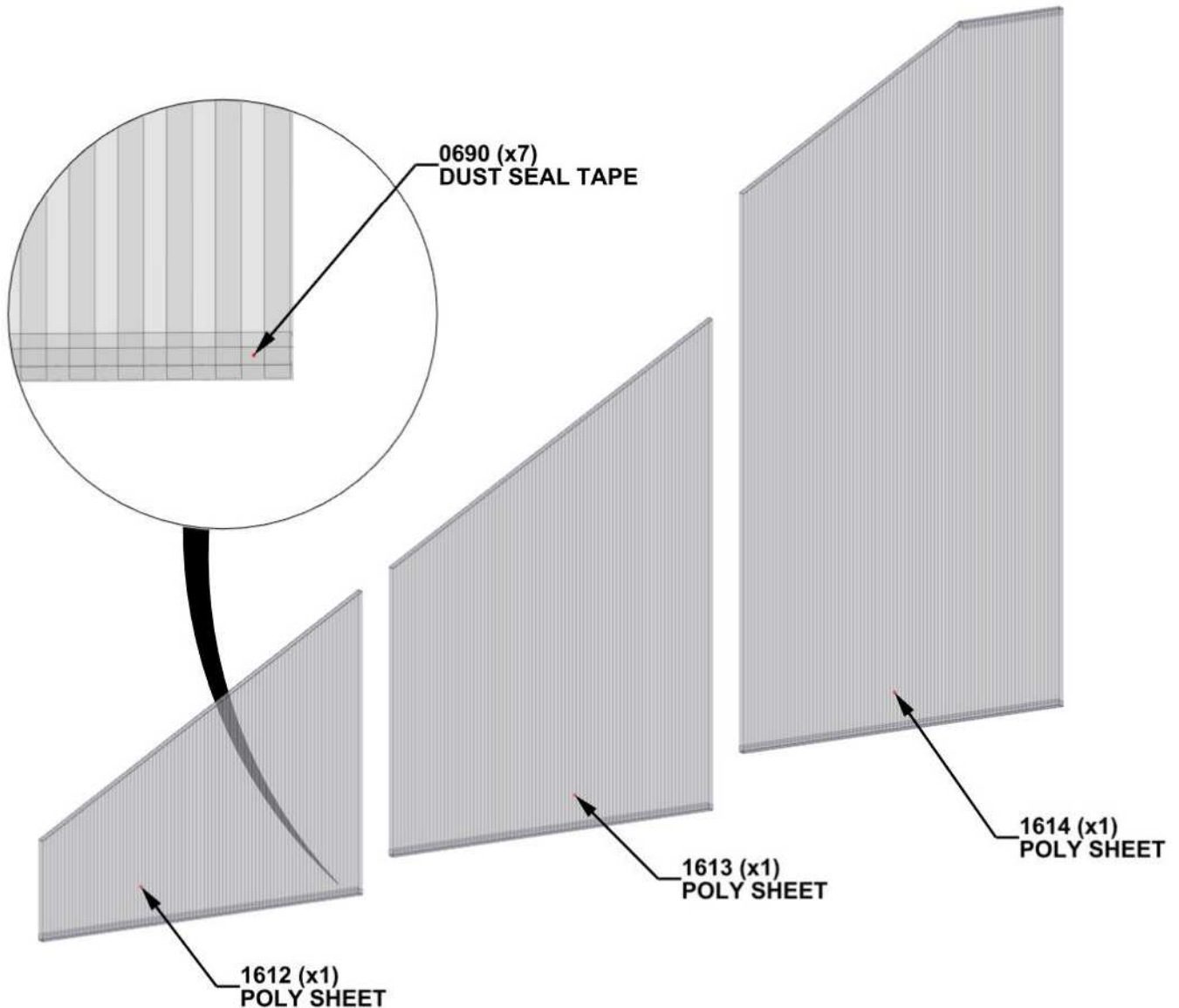
1613 POLY SHEET - A6P01613  
(x1) 27 3/8"x19 5/8"x3/8" (10x498x695.5)

1614 POLY SHEET - A6P01614  
(x1) 39"x19 5/8"x3/8" (10x498x990)

A6P00690 DUST SEAL TAPE

## TO APPLY DUST SEAL TAPE:

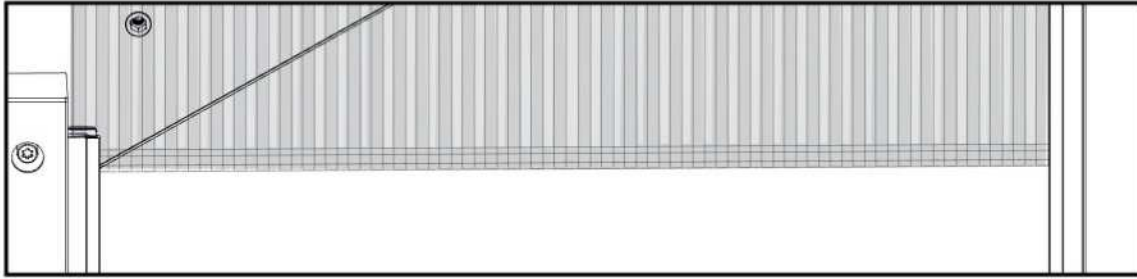
- CUT 3 STRIPS OF DUST SEAL TAPE THE SAME WIDTH AS THE BOTTOM POLY SHEETS.
- WRAP DUST SEAL TAPE ALONG BOTTOM EDGE OF POLY SHEET WIDTH.
- CUT 4 STRIPS OF DUST SEAL TAPE THE SAME WIDTH AS THE TOP POLY SHEET.
- WRAP DUST SEAL TAPE ALONG TOP EDGE OF POLY SHEET WIDTH.



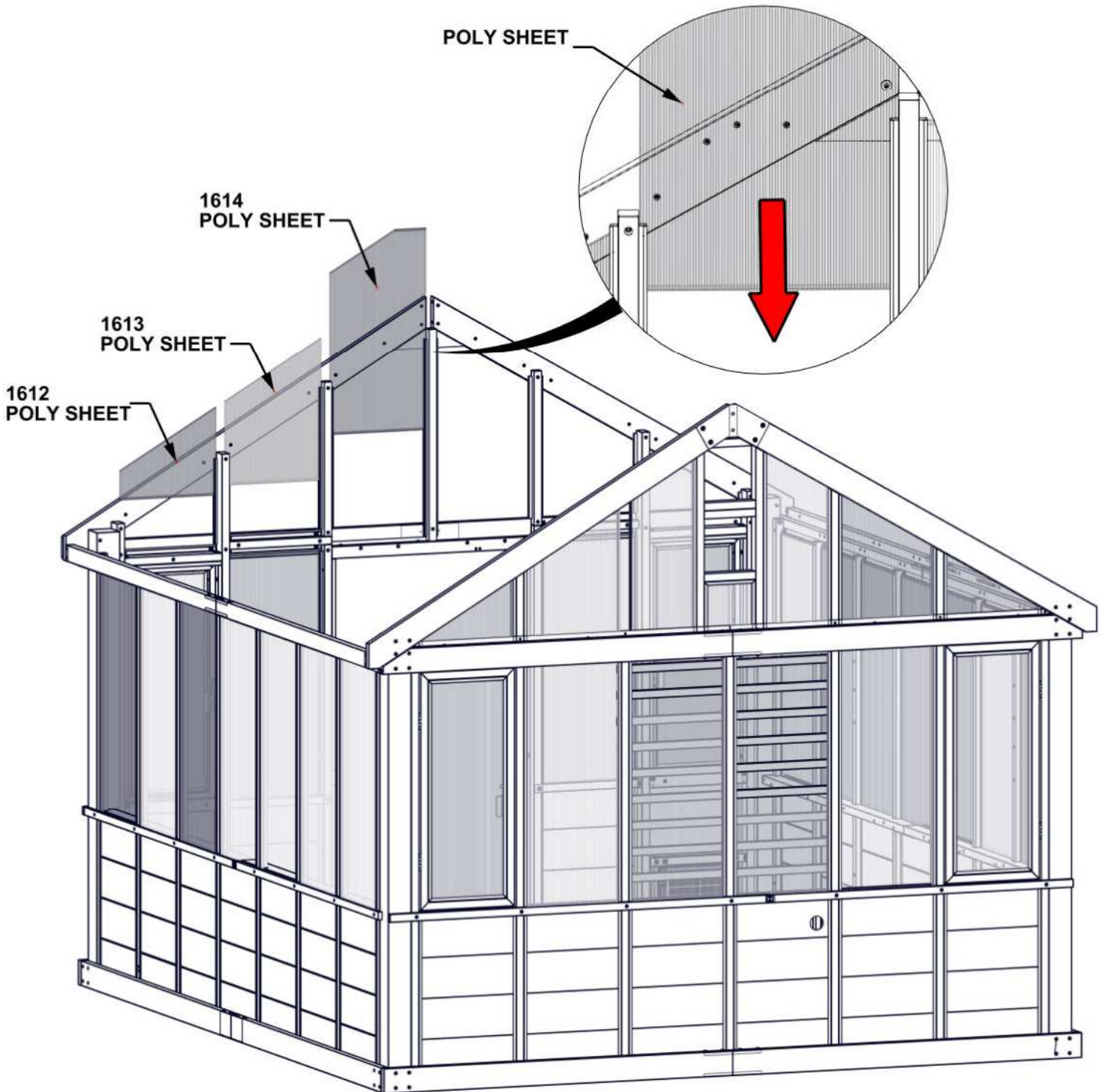
# STEP 104 - GABLE ASSEMBLY

**IMPORTANT!**

- ENSURE UV SIDE OF POLY SHEETS ARE FACING OUTSIDE.
- REMOVE THE PROTECTIVE FILM PRIOR TO INSTALLATION OF POLY SHEETS.



- INSERT POLY SHEETS INTO CHANNELS OF UPRIGHT.
- PUSH THE SHEETS UNTIL THEY CONTACT THE BOTTOM.



# STEP 105 - GABLE ASSEMBLY

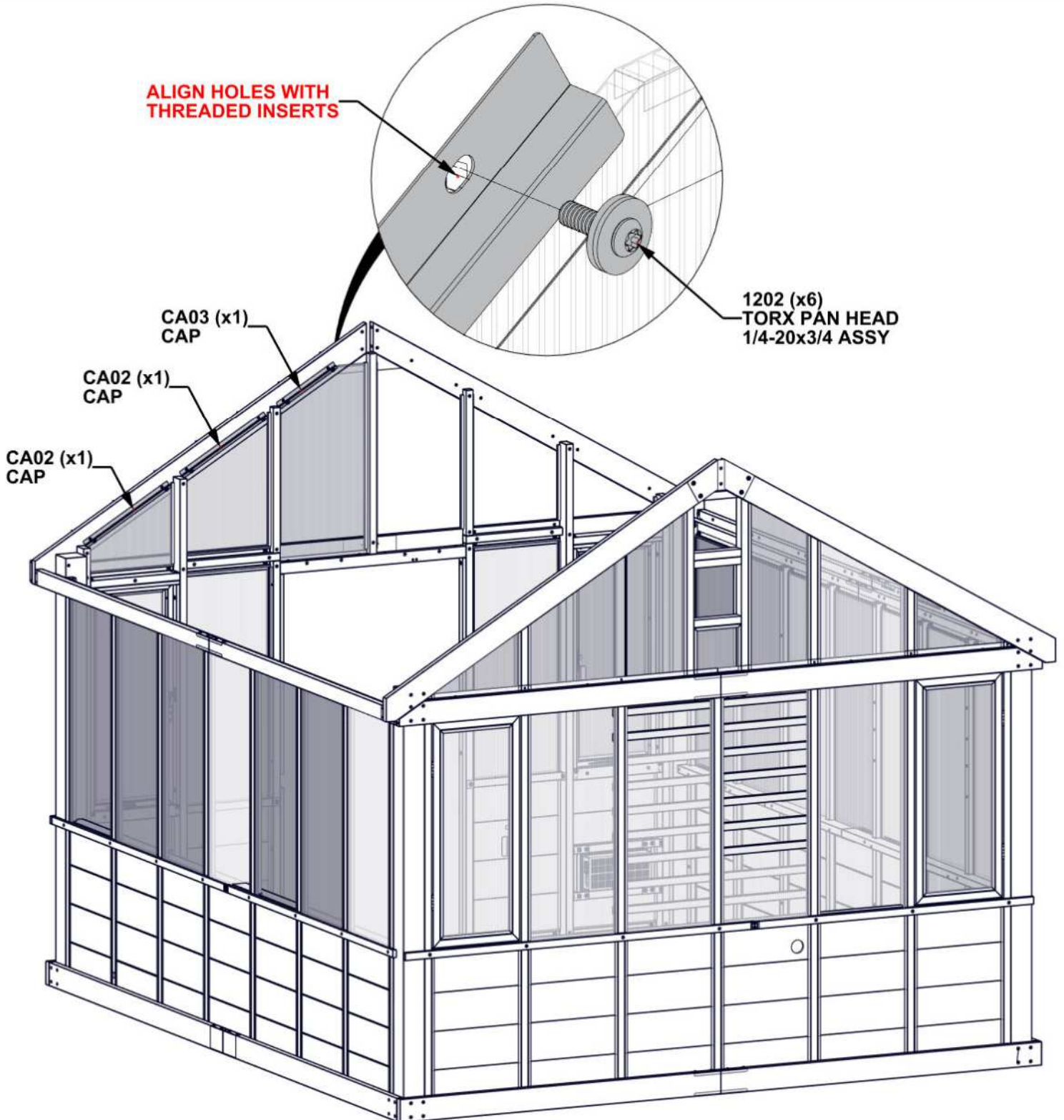
QTY	PART NUMBER	DESCRIPTION
6	H101202	TORX PAN HEAD 1/4-20x3/4 ASSY



CA02 CAP - A4M05412  
(x2) 21 5/8"x1 7/16"x1/2" (12.8x37x550)



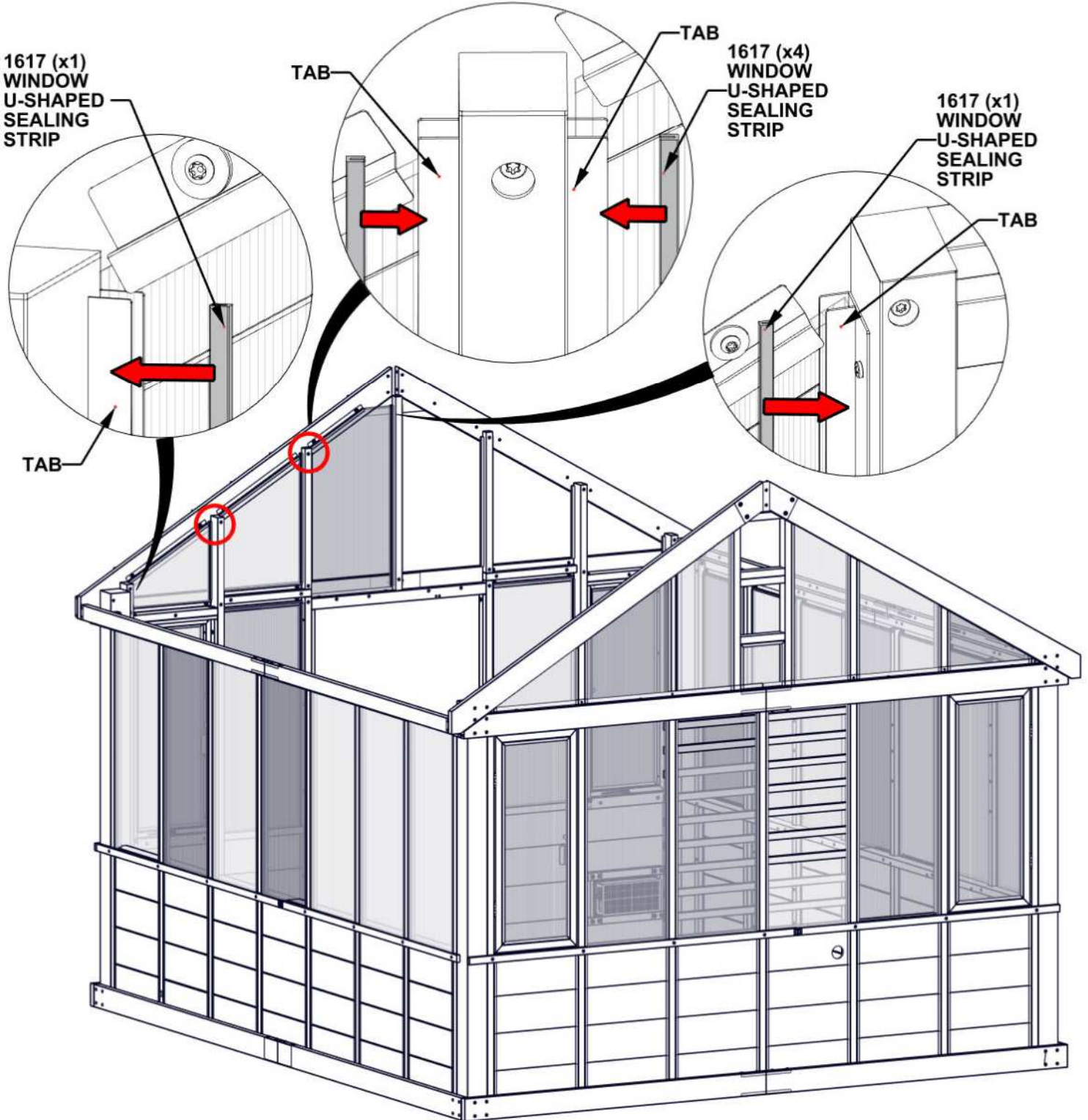
CA03 CAP - A4M05414  
(x1) 14 5/8"x1/2"x1 7/16" (12.8x37x372)



# STEP 106 - GABLE ASSEMBLY

A6P01617 WINDOW U-SHAPED SEALING STRIP  
(x1)

- CUT 6 STRIPS OF SEALING STRIP THE SAME HEIGHT AS THE TAB ON UPRIGHT.
- SLIDE SEALING STRIP ONTO THE TAB FACING OUTWARD ON UPRIGHT.



# STEP 107 - GABLE ASSEMBLY

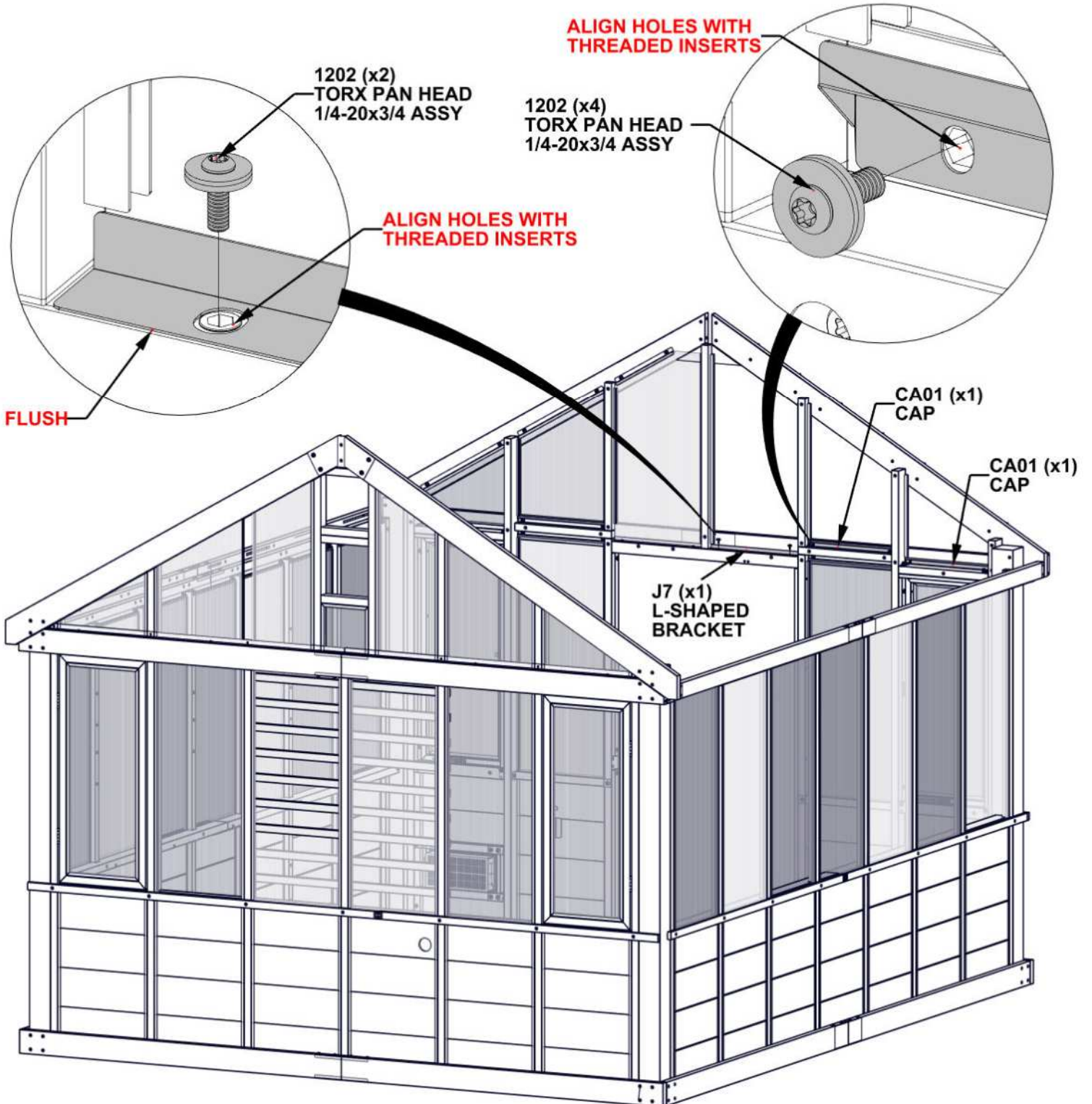
QTY	PART NUMBER	DESCRIPTION
6	H101202	TORX PAN HEAD 1/4-20x3/4 ASSY



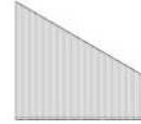
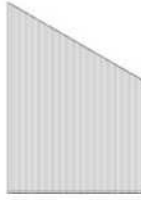
J7 L-SHAPED BRACKET - A4M05003  
(x1) 19 3/4"x1 1/8"x13/16" (20x29x502)



CA01 CAP - A4M05407  
(x2) 19 13/16"x1 3/16"x1/2" (12.8x30.2x503.8)



# STEP 108 - GABLE ASSEMBLY



A6P00690 DUST SEAL TAPE

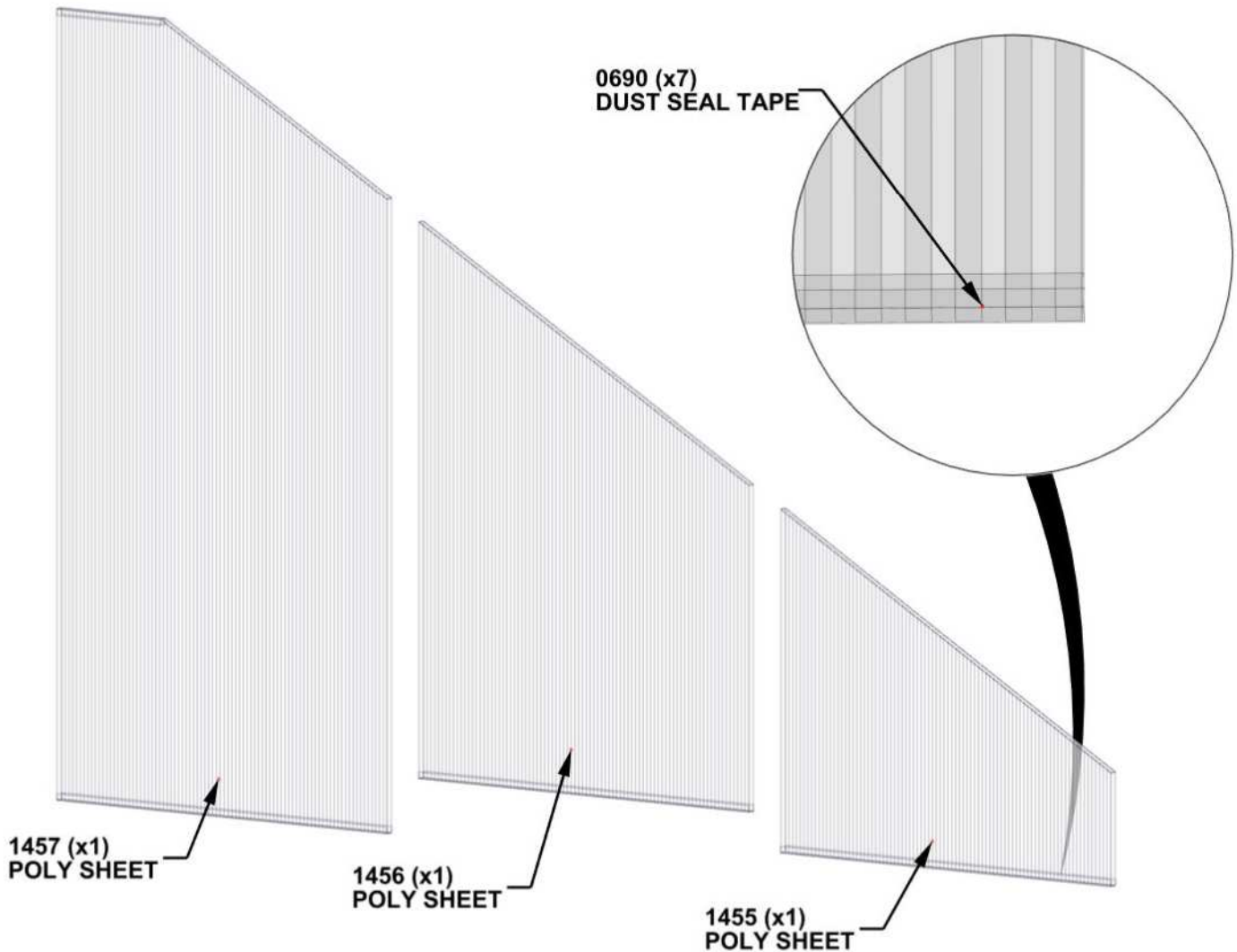
1457 POLY SHEET - A6P01457  
(x1) 39"x19 5/8"x3/8" (10x498x990)

1456 POLY SHEET - A6P01456  
(x1) 27 3/8"x19 5/8"x3/8" (10x498x695.5)

1455 POLY SHEET - A6P01455  
(x1) 16 3/4"x19 5/8"x3/8" (10x498x425.5)

## TO APPLY DUST SEAL TAPE:

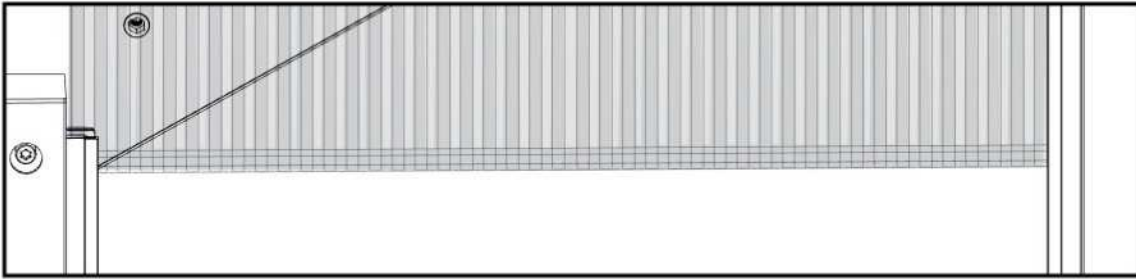
- CUT 3 STRIPS OF DUST SEAL TAPE THE SAME WIDTH AS THE BOTTOM POLY SHEETS.
- WRAP DUST SEAL TAPE ALONG BOTTOM EDGE OF POLY SHEET WIDTH.
- CUT 4 STRIPS OF DUST SEAL TAPE THE SAME WIDTH AS THE TOP POLY SHEET.
- WRAP DUST SEAL TAPE ALONG TOP EDGE OF POLY SHEET WIDTH.



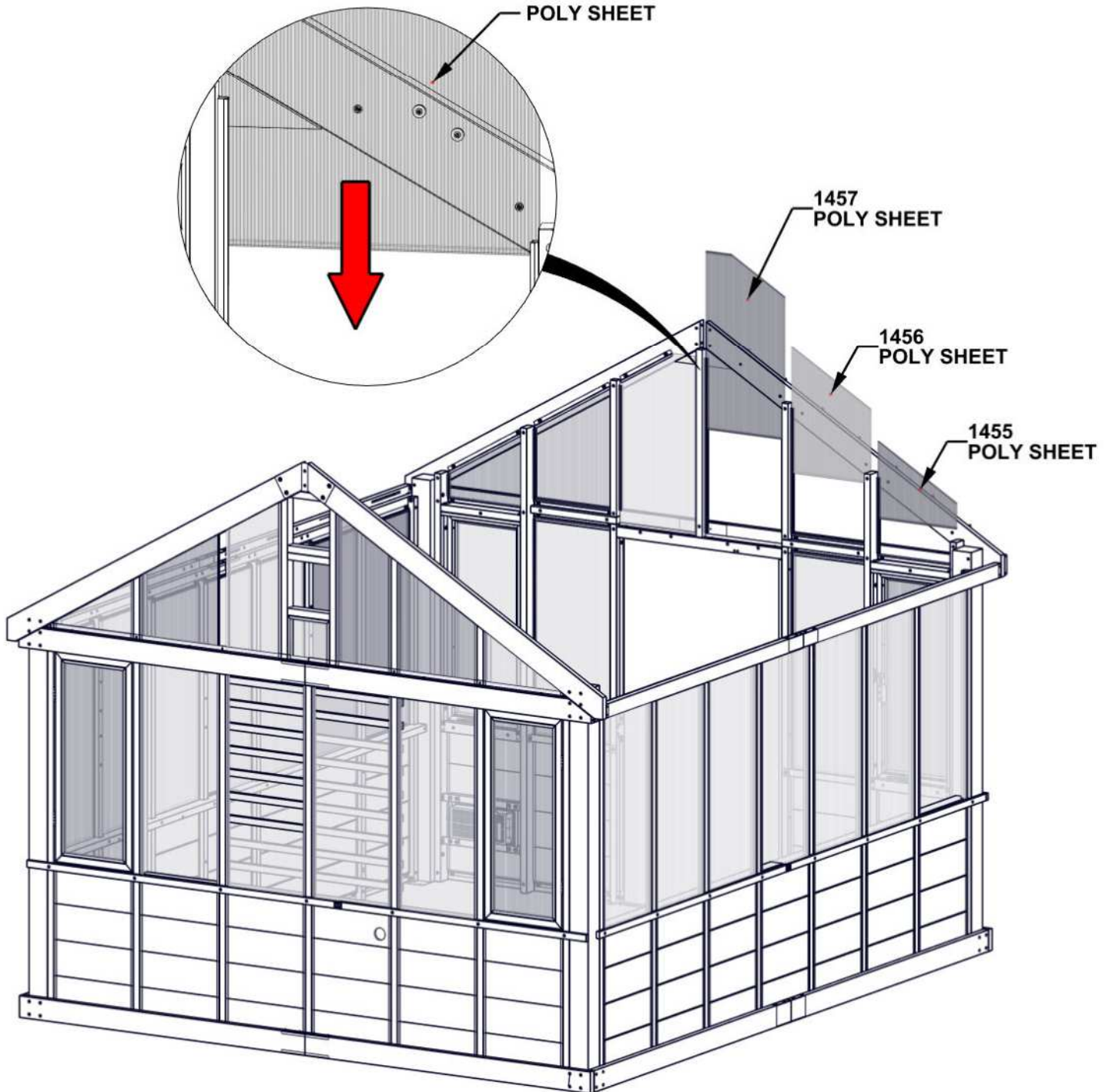
# STEP 109 - GABLE ASSEMBLY

**IMPORTANT!**

- ENSURE UV SIDE OF POLY SHEETS ARE FACING OUTSIDE.
- REMOVE THE PROTECTIVE FILM PRIOR TO INSTALLATION OF POLY SHEETS.



- INSERT POLY SHEETS INTO CHANNELS OF UPRIGHT.
- PUSH THE SHEETS UNTIL THEY CONTACT THE BOTTOM.



# STEP 110 - GABLE ASSEMBLY

QTY	PART NUMBER	DESCRIPTION
6	H101202	TORX PAN HEAD 1/4-20x3/4 ASSY



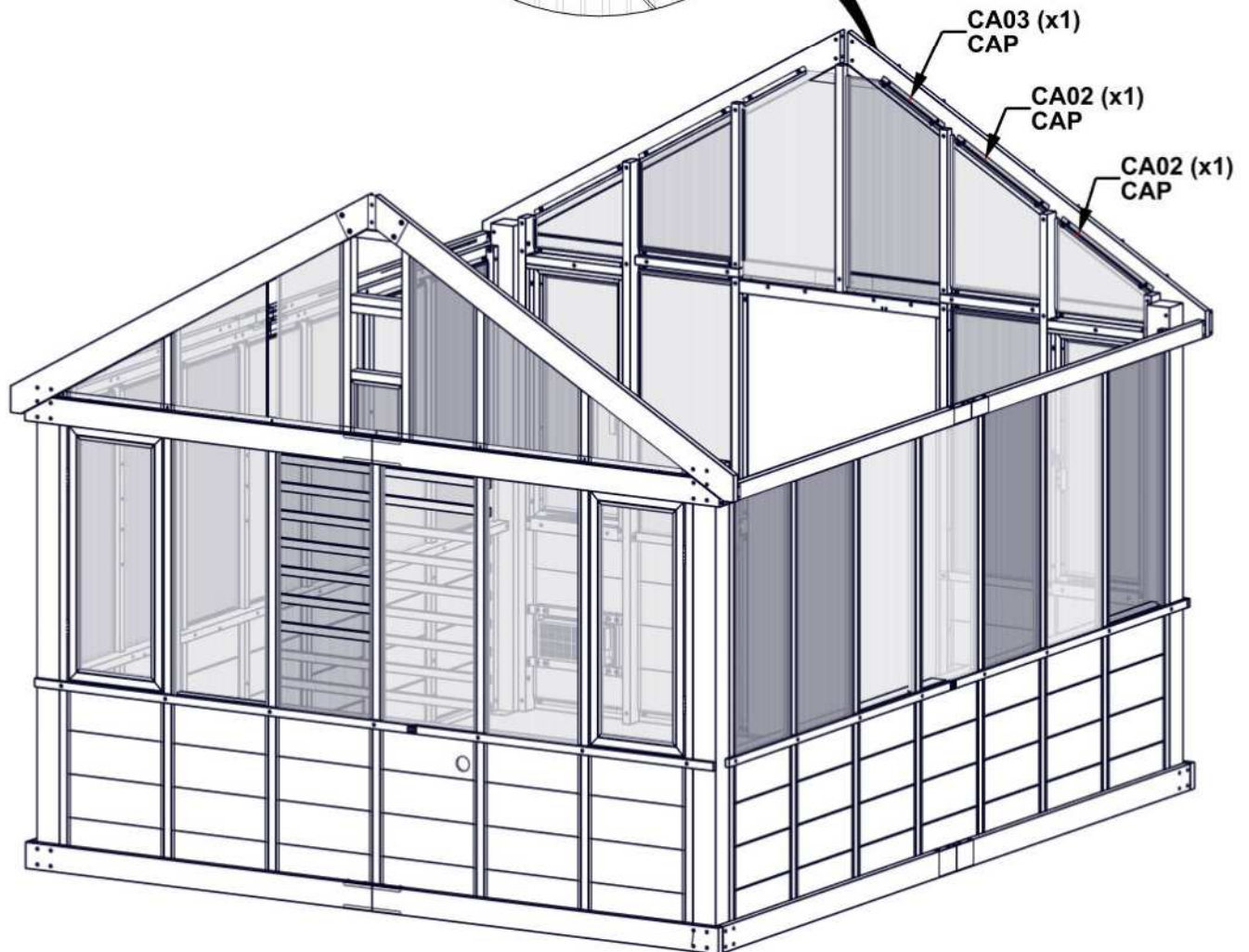
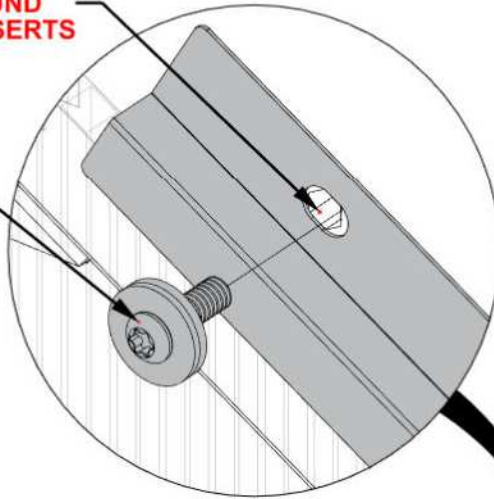
CA02 CAP - A4M05412  
(x2) 21 5/8"x1 7/16"x1/2" (12.8x37x550)



CA03 CAP - A4M05414  
(x1) 14 5/8"x1/2"x1 7/16" (12.8x37x372)

**BRACKET HOLES  
WILL FIT AROUND  
THREADED INSERTS**

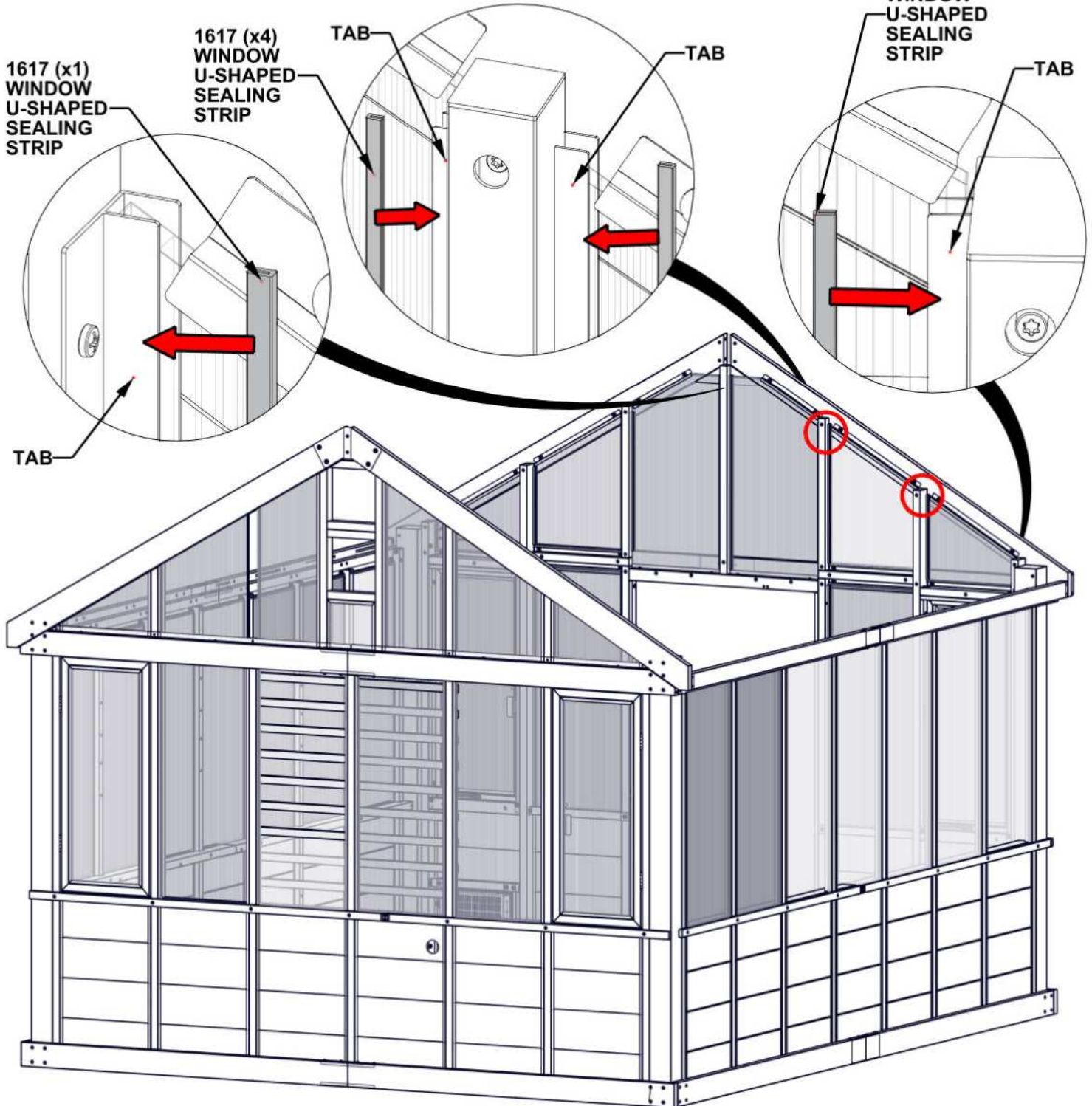
1202 (x6)  
TORX PAN HEAD  
1/4-20x3/4 ASSY



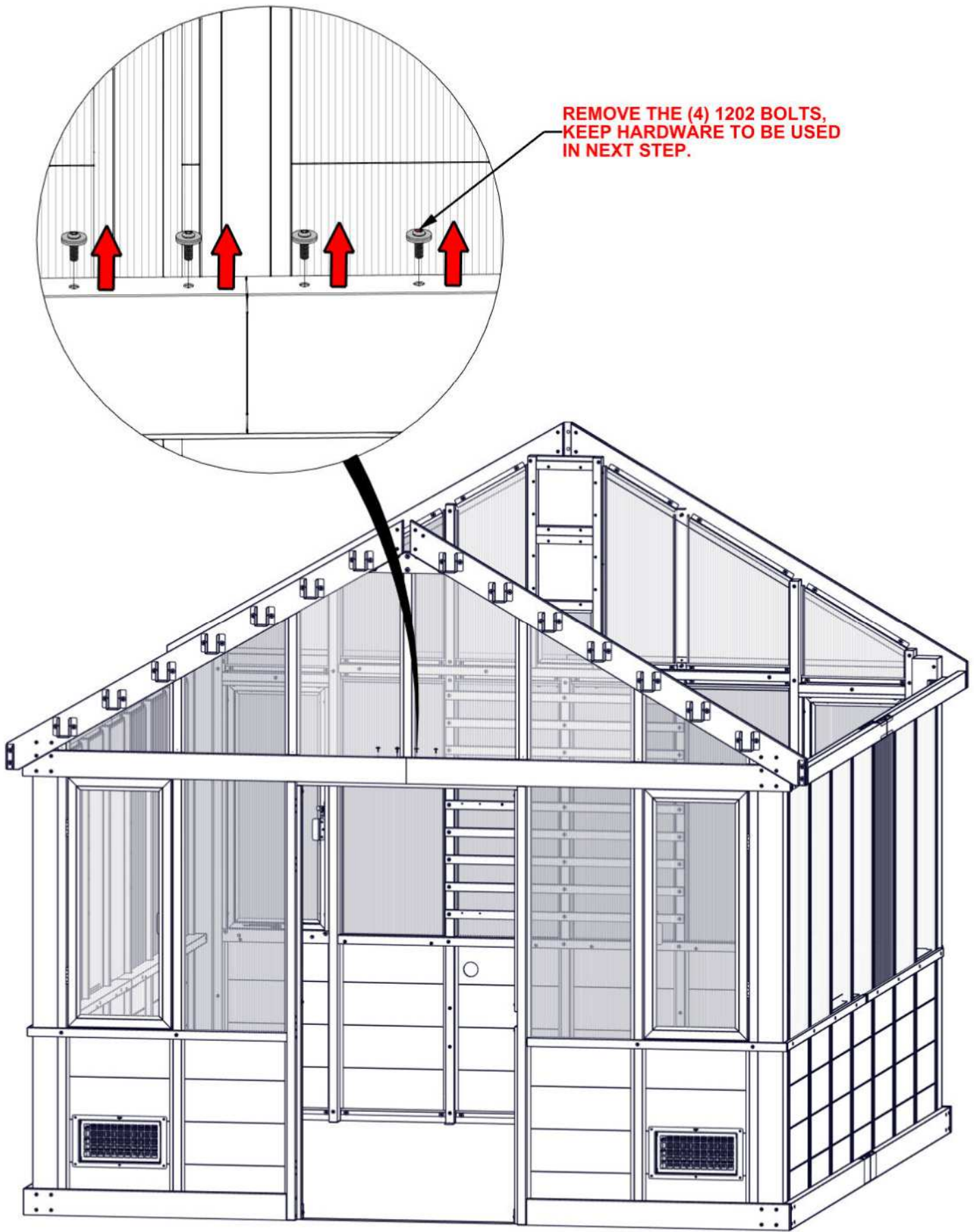
# STEP 111 - GABLE ASSEMBLY

A6P01617 WINDOW U-SHAPED SEALING STRIP  
(x1)

- CUT 6 STRIPS OF SEALING STRIP THE SAME HEIGHT AS THE TAB ON UPRIGHT.
- SLIDE SEALING STRIP ONTO THE TAB FACING OUTWARD ON UPRIGHT.



# STEP 112A - GABLE ASSEMBLY



**REMOVE THE (4) 1202 BOLTS,  
KEEP HARDWARE TO BE USED  
IN NEXT STEP.**

**FRONT**

# STEP 112B - GABLE ASSEMBLY

**NOTE: USE HARDWARE FROM PREVIOUS STEP.**

QTY	PART NUMBER	DESCRIPTION
8	H101202	TORX PAN HEAD 1/4-20x3/4 ASSY
6	H101159	PHILLIPS ROUND HEAD 8-18x.5



5030 ANGLE TRIM - A4M05030  
(x1) 65 7/8"x1 7/16"x1" (25.8x36.9x1674)



5031 ANGLE TRIM - A4M05031  
(x1) 65 7/8"x1 7/16"x1" (25.8x36.90x1674.00)



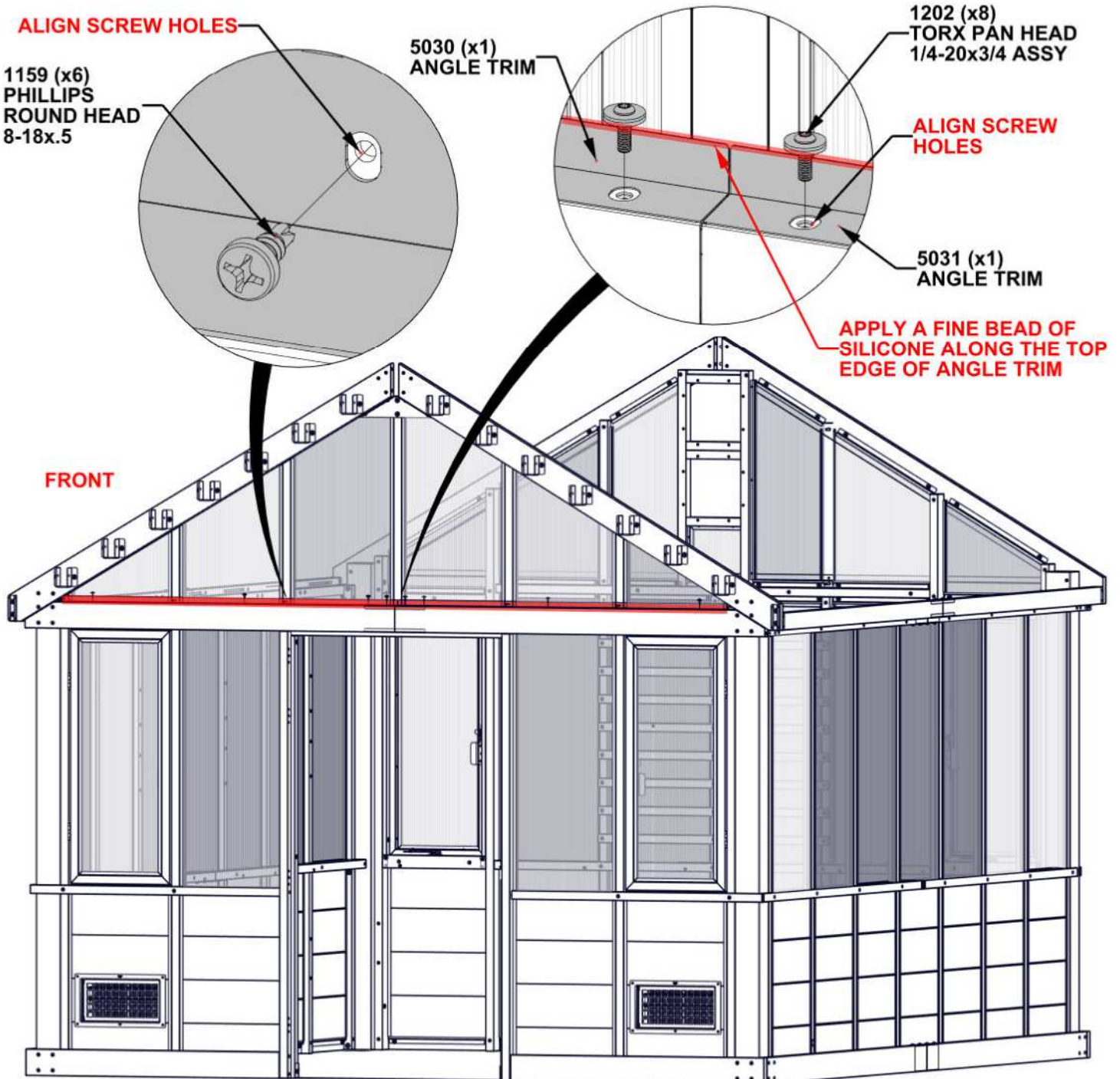
A6P01531 10 OZ SILICONE TUBE  
(x2)



H101464 CAULK GUN  
(x1)

- ATTACH 5030 AND 5031 TO BEAMS, APPLY A FINE BEAD OF SILICONE ALONG THE TOP EDGE OF ANGLE TRIM.
- SMOOTH SILICONE, WIPING EXCESS USING A RAG OR PAPER TOWEL.

**TIP: GLOVES ARE RECOMMENDED WHEN APPLYING SILICONE.  
MAKE SURE SURFACE OF ANGLE TRIM IS CLEAN, DRY, AND FREE OF ANY DIRT/DEBRIS.**

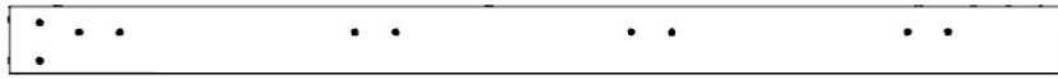


# STEP 113 - RIDGE ASSEMBLY

QTY	PART NUMBER	DESCRIPTION
5	H101202	TORX PAN HEAD 1/4-20x3/4 ASSY

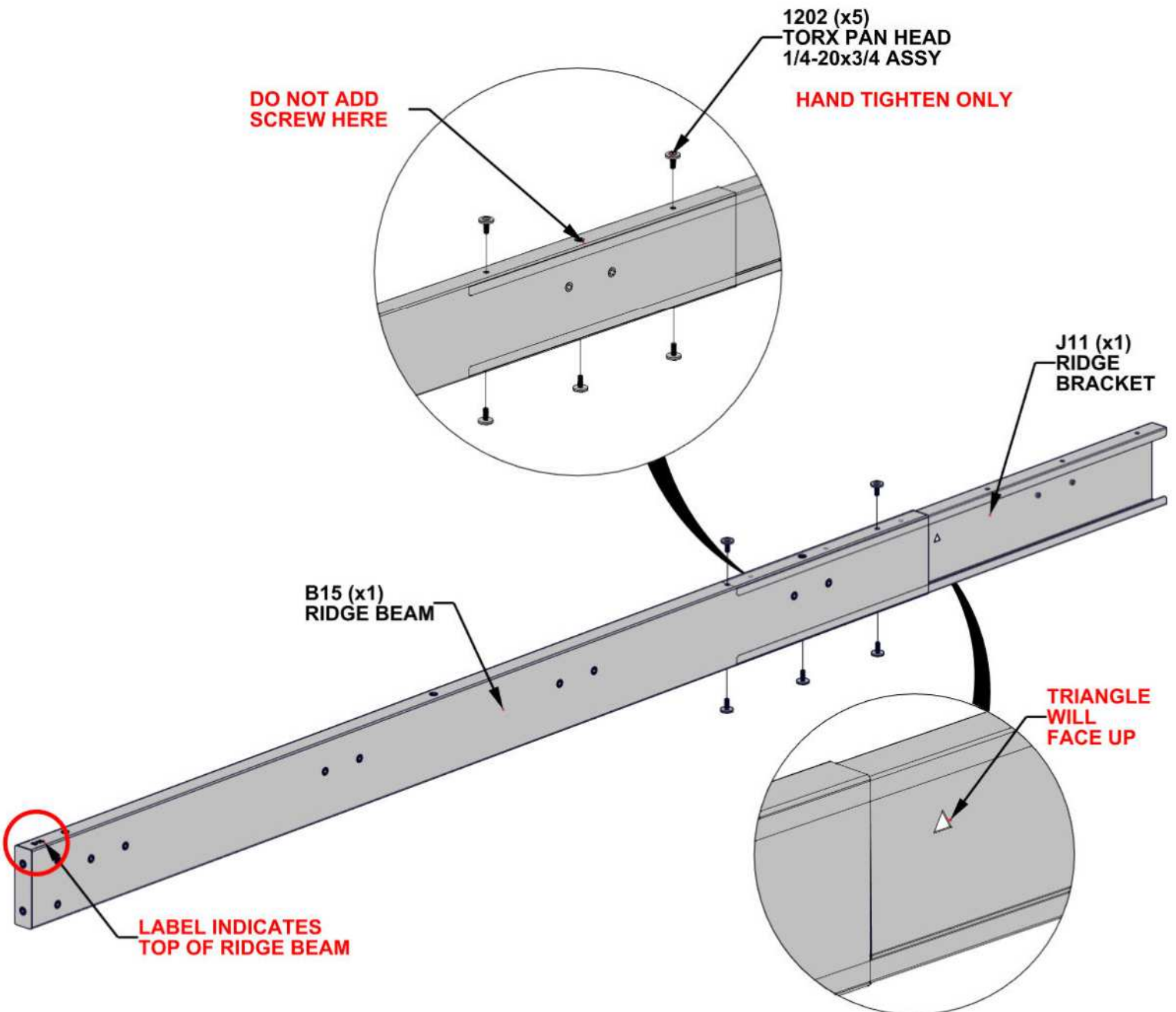


J11 RIDGE BRACKET - A4M05008  
(x1) 1 5/16"x5 3/16"x39 3/8" (33.2x131.2x1000)



B15 RIDGE BEAM - A4M05006  
(x1) 82 3/16"x5 1/4"x1 7/16" (36x134x2088)

- FOR EASE OF ASSEMBLY, WE RECOMMEND USING SAWHORSES FOR STEP 113-115.
- BEAM AND SPLICE MUST BE ORIENTED AS SHOWN. SLIDE J11 INTO B15 AND LINE UP THREE HOLES TOP AND BOTTOM.



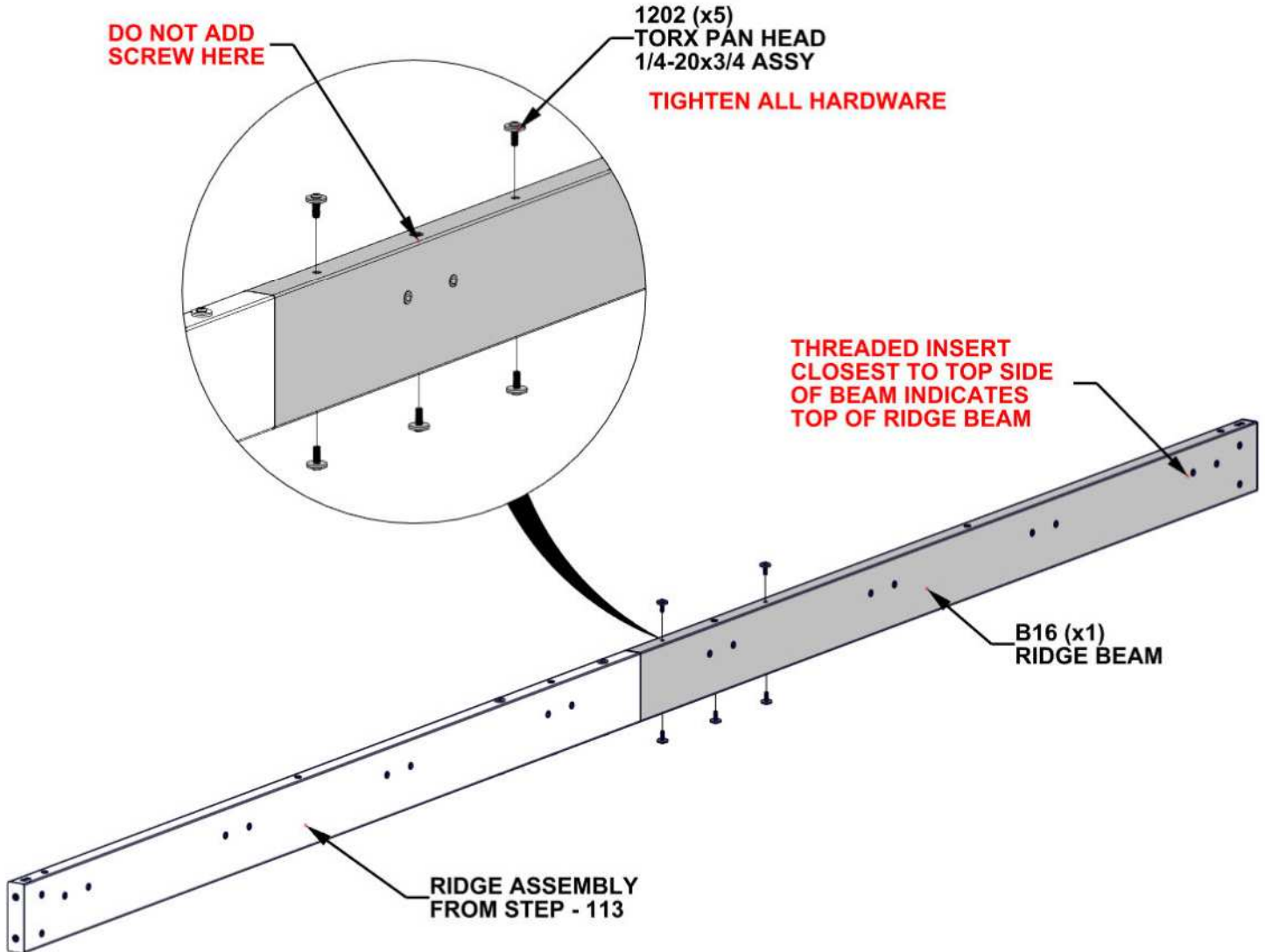
# STEP 114 - RIDGE ASSEMBLY

QTY	PART NUMBER	DESCRIPTION
5	H101202	TORX PAN HEAD 1/4-20x3/4 ASSY



B16 RIDGE BEAM - A4M05007  
(x1) 82 3/16"x5 1/4"x1 7/16" (36x134x2088)

- SLIDE B16 ONTO SPLICE BRACKET.  
GENTLY TAP ENDS OF ASSEMBLY WITH  
RUBBER Mallet UNTIL GAP CLOSES.



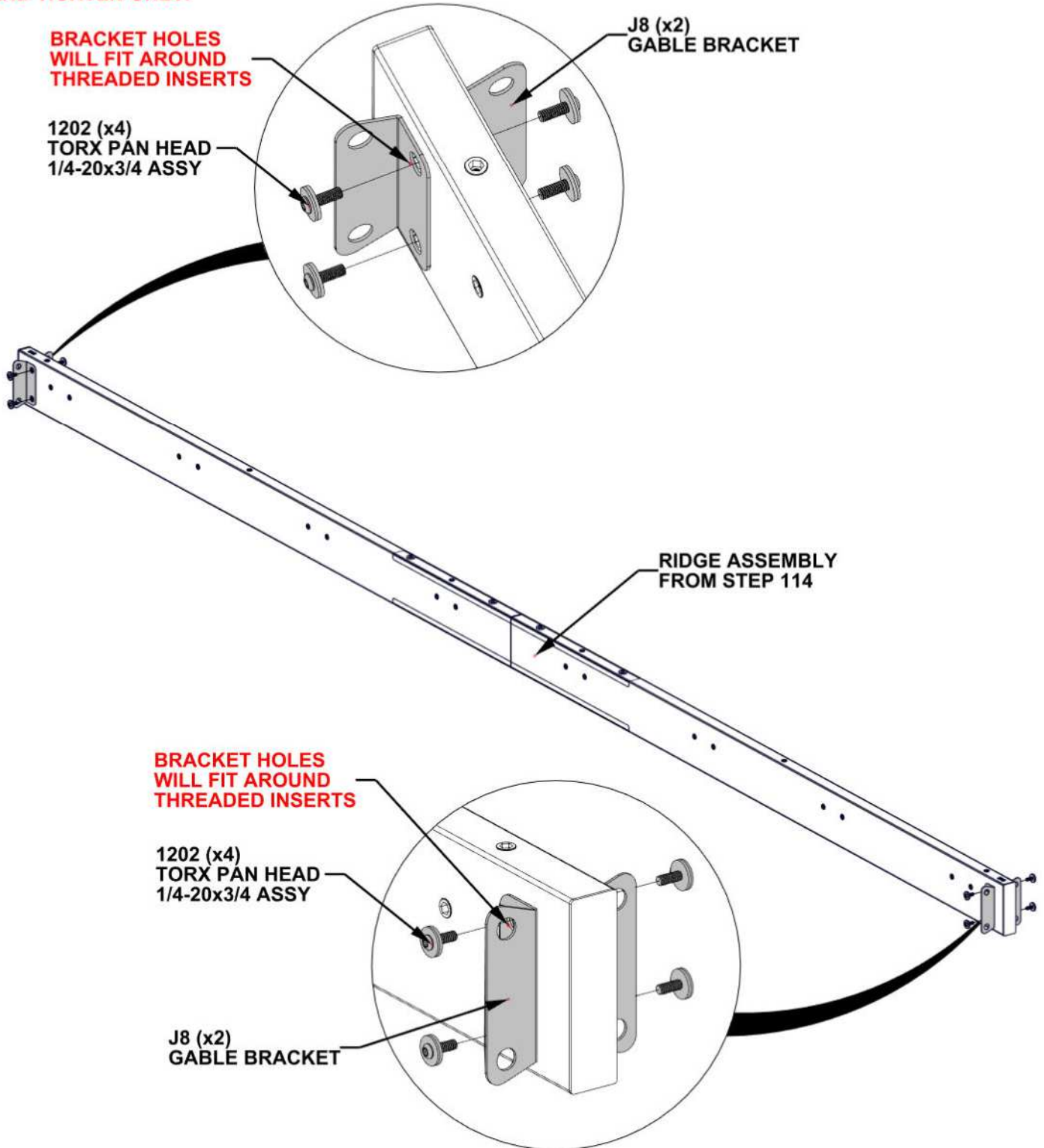
# STEP 115 - RIDGE ASSEMBLY



QTY	PART NUMBER	DESCRIPTION
8	H101202	TORX PAN HEAD 1/4-20x3/4 ASSY

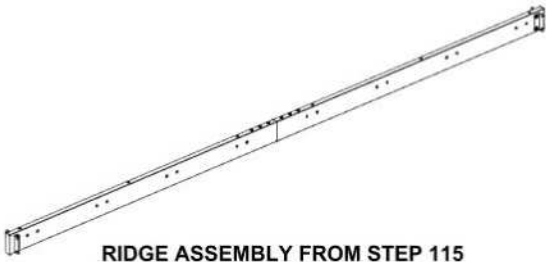
J8 GABLE BRACKET - A4M03804  
 (x4) 4 13/16"x1 9/16"x1 9/16" (40x40x123)

**- HAND TIGHTEN ONLY.**

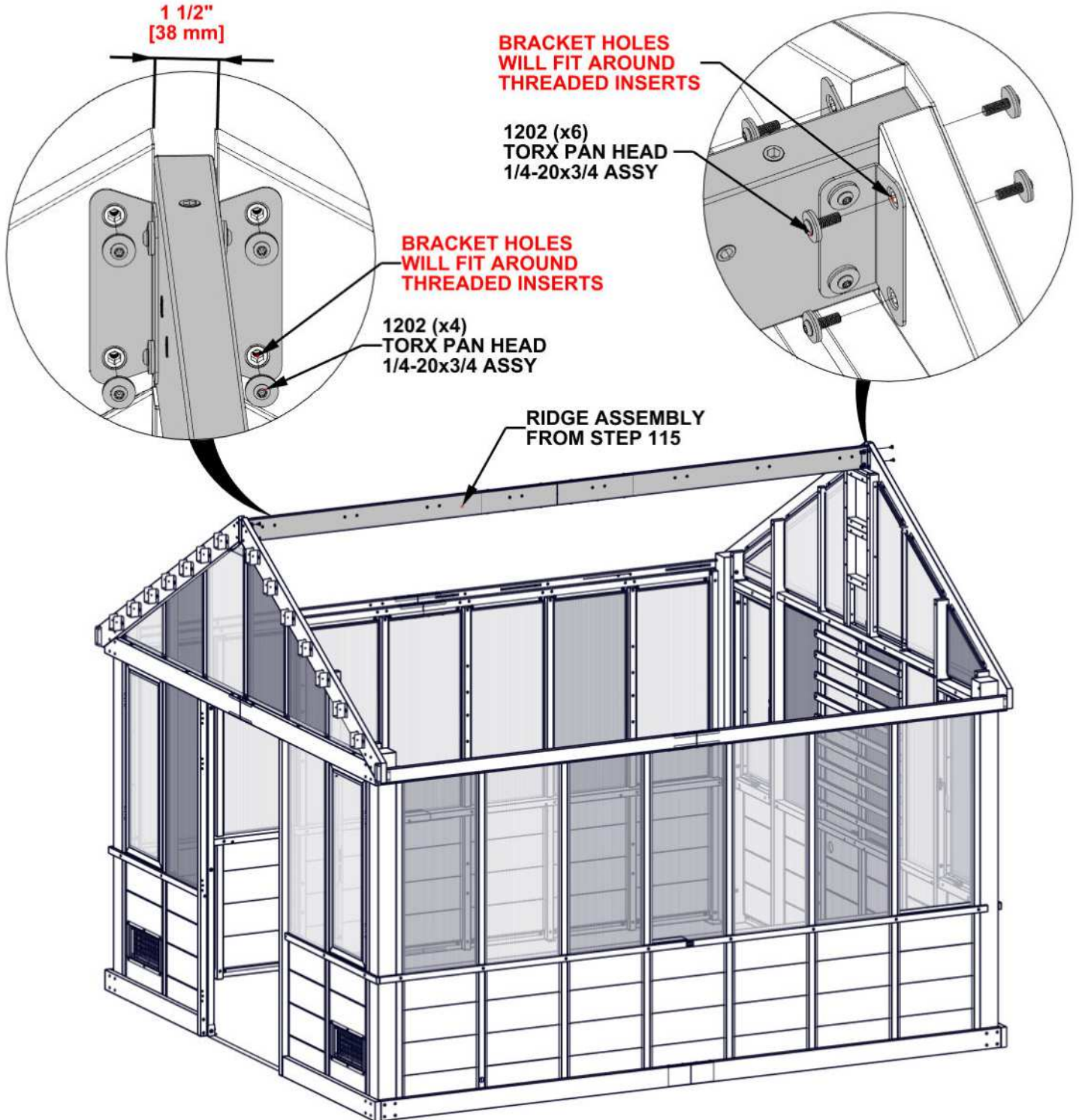


# STEP 116A - RIDGE ASSEMBLY

QTY	PART NUMBER	DESCRIPTION
10	H101202	TORX PAN HEAD 1/4-20x3/4 ASSY

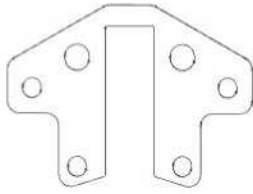


- WITH AT LEAST TWO PEOPLE, ATTACH RIDGE ASSEMBLY TO GABLE ASSEMBLY.
- **TIGHTEN ALL HARDWARE.**



# STEP 116B - RIDGE ASSEMBLY

QTY	PART NUMBER	DESCRIPTION
2	H101202	TORX PAN HEAD 1/4-20x3/4 ASSY



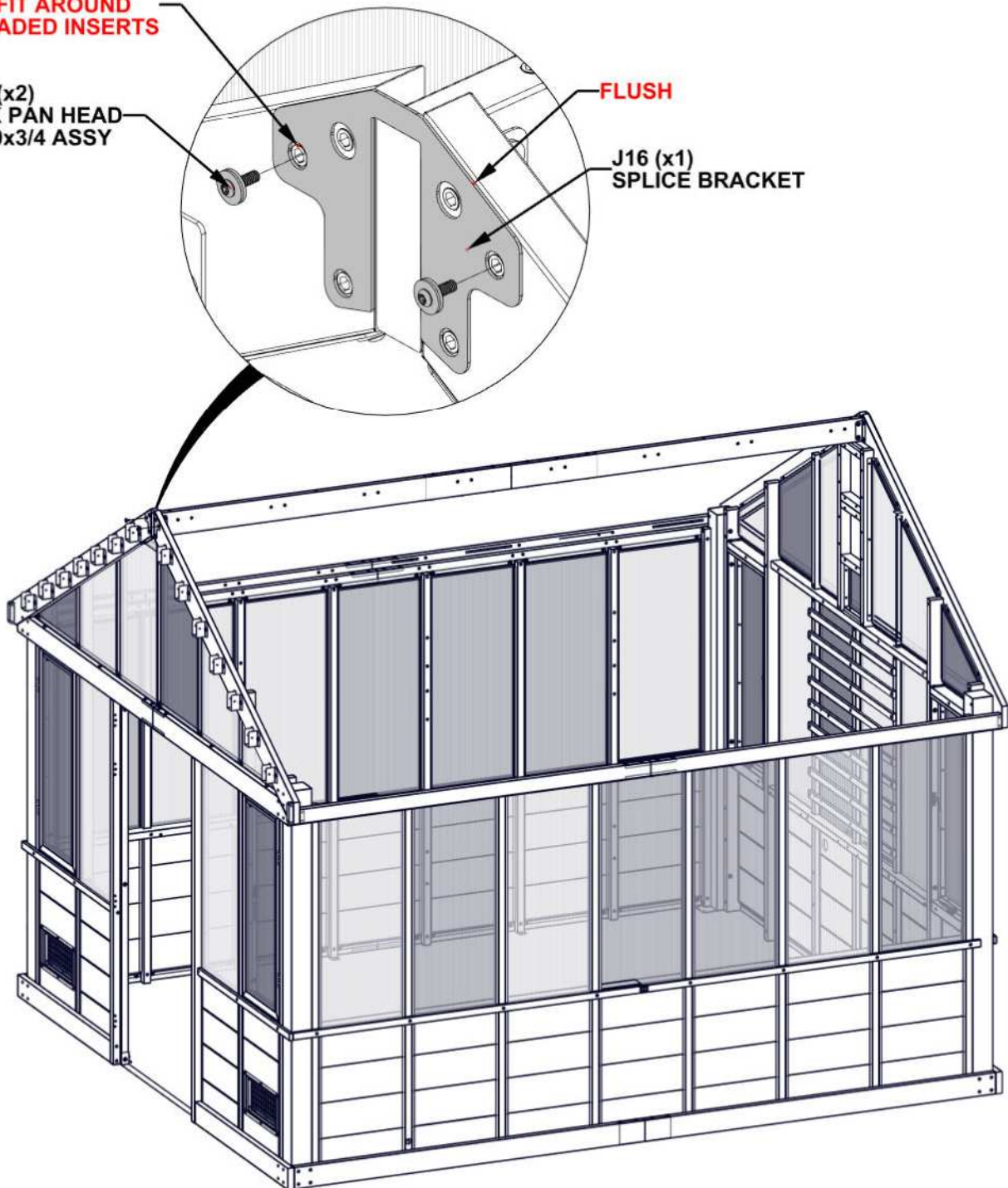
J16 SPLICE BRACKET - A4M05332  
(x1) 7 7/8"x5 7/8"x1/16" (2x149x200)

**BRACKET HOLES  
WILL FIT AROUND  
THREADED INSERTS**

1202 (x2)  
TORX PAN HEAD  
1/4-20x3/4 ASSY

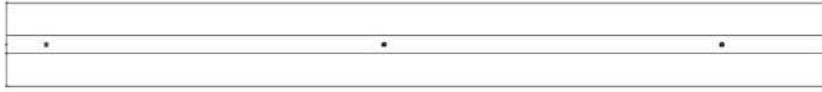
**FLUSH**

J16 (x1)  
SPLICE BRACKET



# STEP 117 - RIDGE ASSEMBLY

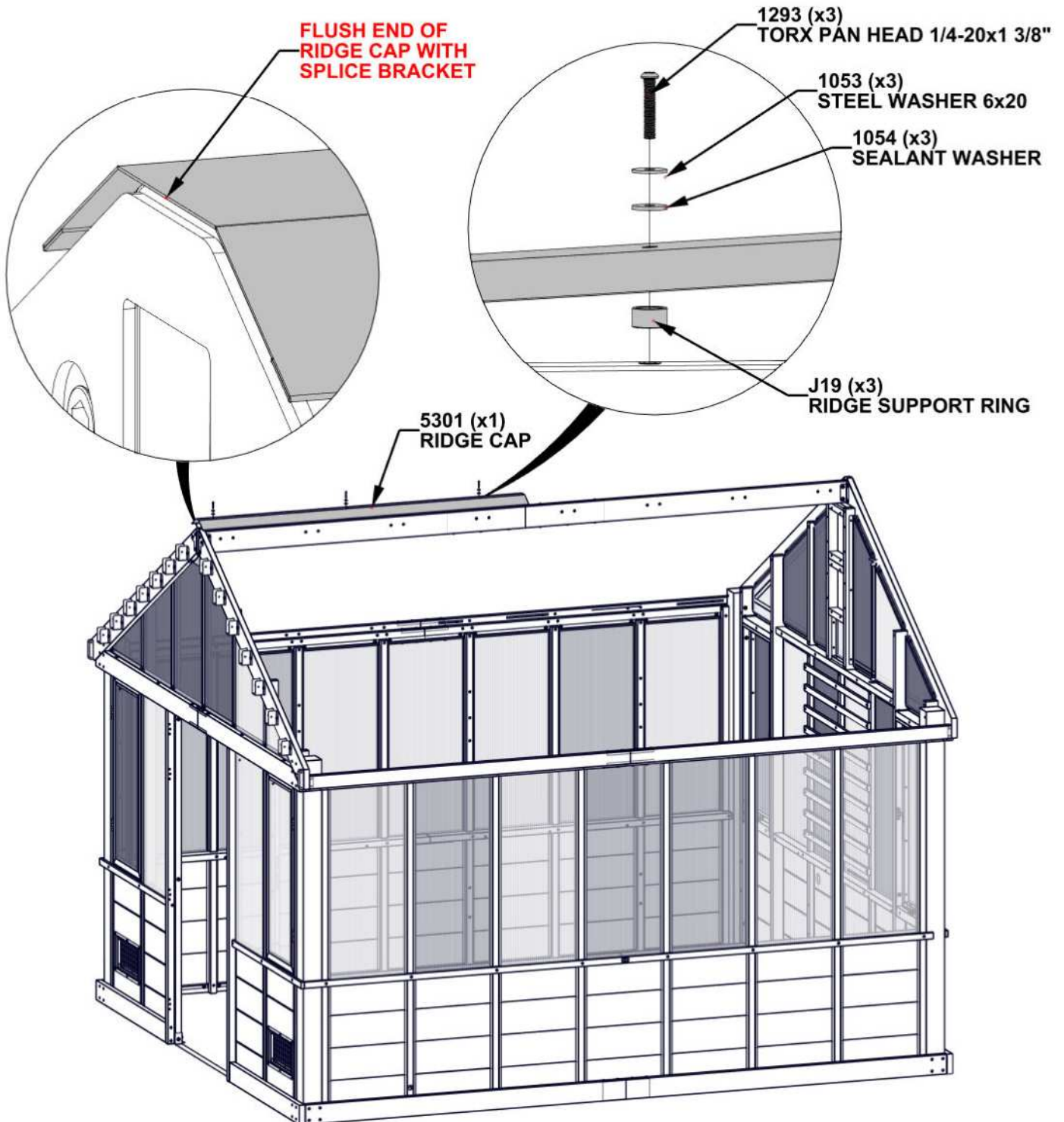
QTY	PART NUMBER	DESCRIPTION
3	H101293	TORX PAN HEAD 1/4-20x1 3/8"
3	H101054	SEALANT WASHER
3	H101053	STEEL WASHER 6x20



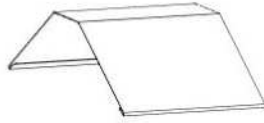
5301 RIDGE CAP - A4M05301  
(x1) 1 15/16"x8 1/4"x82" (49x210x2083.50)

J19 RIDGE SUPPORT RING - A4M05573  
(x3) 13/16"x3/4" (19x20x)

- REMOVE PROTECTIVE FILM.
- ORIENT RIDGE CAP AS SHOWN BELOW.
- WARNING: GLOVES ARE RECOMMENDED WHEN HANDLING STEEL ROOF PIECE.

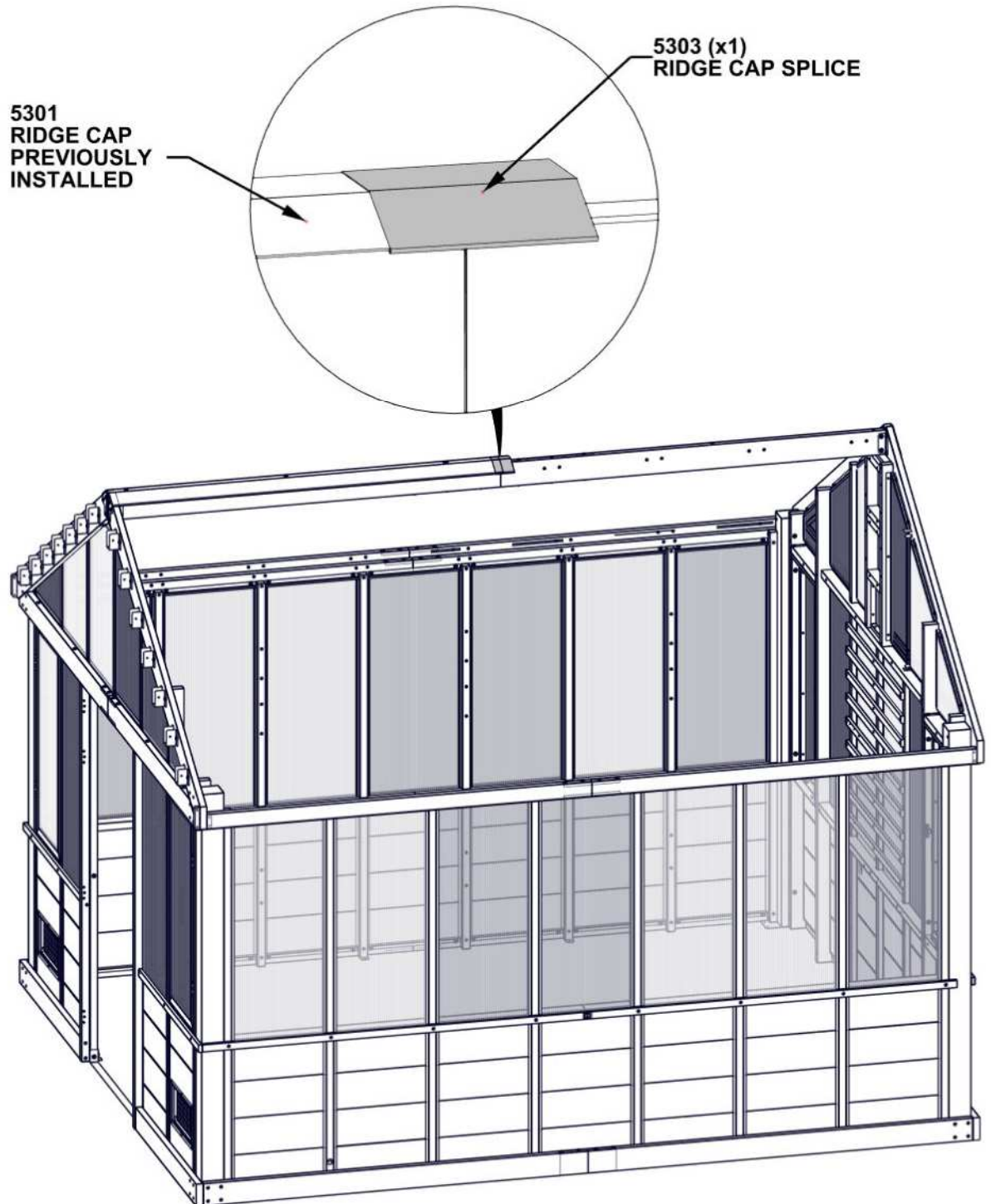


# STEP 118 - RIDGE ASSEMBLY



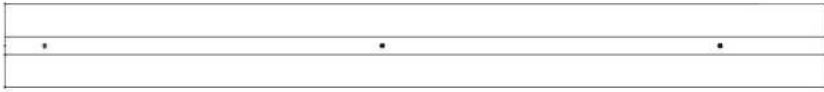
5303 RIDGE CAP SPLICE - A4M05303  
(x1) 2"x8 5/16"x3 15/16" (51x213x100)

- REMOVE PROTECTIVE FILM.
- SLIDE RIDGE CAP SPLICE ONTO RIDGE CAP AS SHOWN BELOW.
- **WARNING: GLOVES ARE RECOMMENDED WHEN HANDLING STEEL ROOF PIECE.**



# STEP 119 - RIDGE ASSEMBLY

QTY	PART NUMBER	DESCRIPTION
3	H101293	TORX PAN HEAD 1/4-20x1 3/8"
3	H101054	SEALANT WASHER
3	H101053	STEEL WASHER 6x20



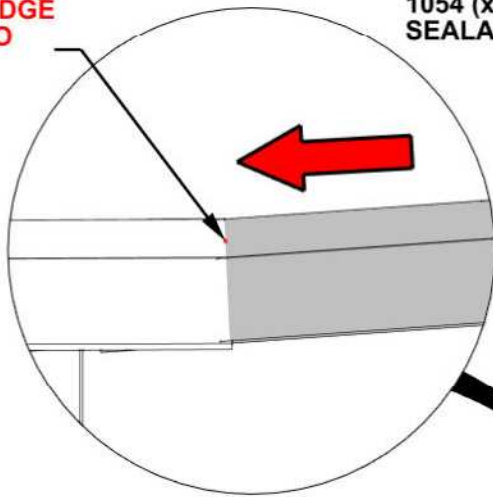
5301 RIDGE CAP - A4M05301  
(x1) 1 15/16"x8 1/4"x82" (49x210x2083.50)



J19 RIDGE SUPPORT RING - A4M05573  
(x3) 13/16"x3/4" (19x20x)

- REMOVE PROTECTIVE FILM.
- ORIENT RIDGE CAP AND SLIDE INTO RIDGE CAP SPLICE AS SHOWN BELOW.
- **WARNING: GLOVES ARE RECOMMENDED WHEN HANDLING STEEL ROOF PIECE.**

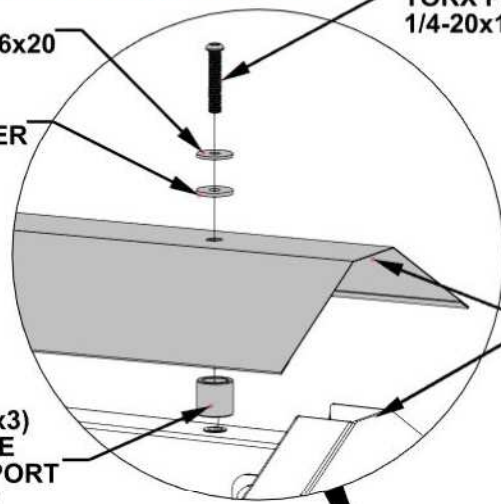
SLIDE RIDGE  
CAP INTO  
SPLICE



1053 (x3)  
STEEL WASHER 6x20

1054 (x3)  
SEALANT WASHER

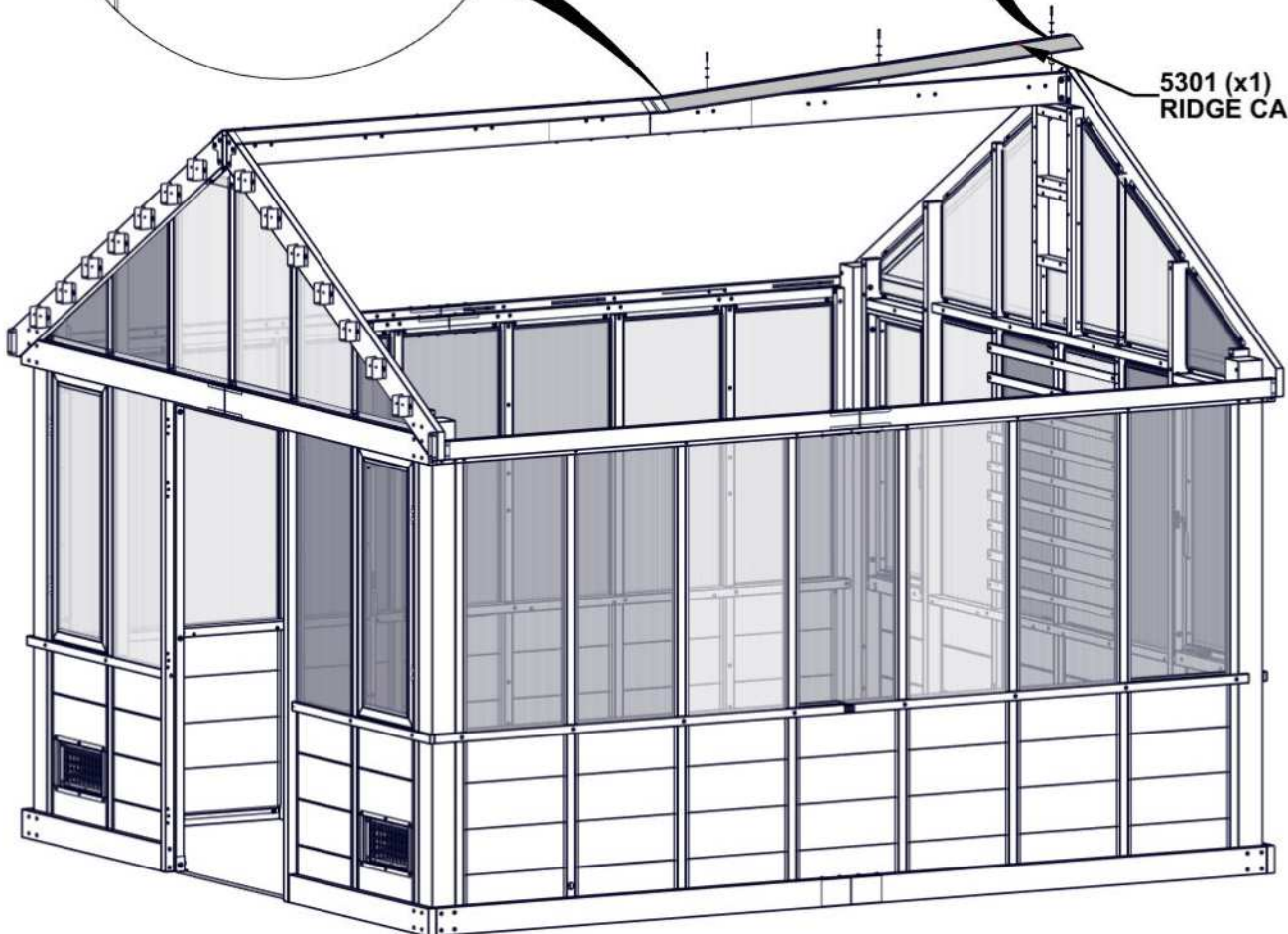
1293 (x3)  
TORX PAN HEAD  
1/4-20x1 3/8"



FLUSH

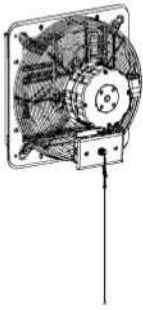
J19 (x3)  
RIDGE  
SUPPORT  
RING

5301 (x1)  
RIDGE CAP



# STEP 120 - GABLE ASSEMBLY

QTY	PART NUMBER	DESCRIPTION
16	H101289	PAN HEAD SCREW 8-32x1/2" SS
16	H101133	WASHER FLAT 7x14 BLK



A4M02383 EXHAUST FAN  
(x2)



A6P01531 10 OZ SILICONE TUBE  
(x2)

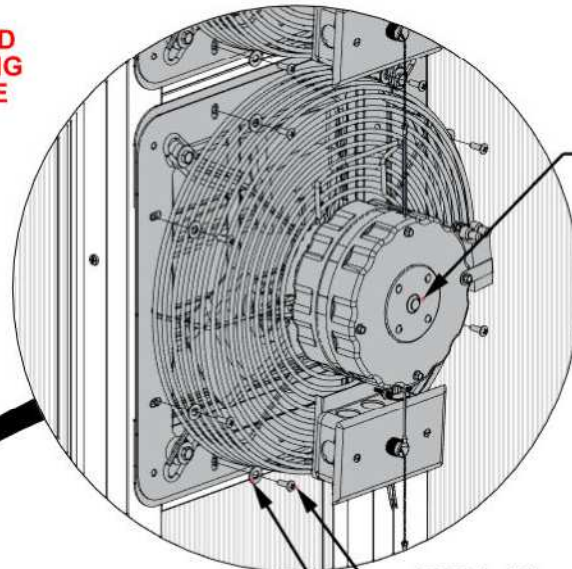
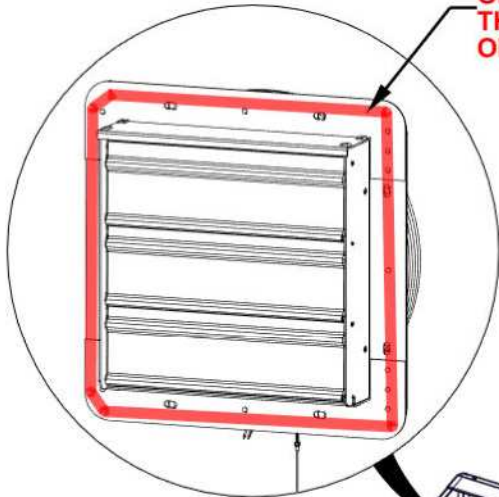


H101464 CAULK GUN  
(x1)

- APPLY A FINE BEAD OF SILICONE ALONG THE BOTTOM EDGE OF EACH FAN.
- CENTER EACH EXHAUST FAN IN THE OPENING AND ATTACH AS SHOWN.
- SMOOTH SILICONE, WIPING EXCESS USING A RAG OR PAPER TOWEL.

**TIP: GLOVES ARE RECOMMENDED WHEN APPLYING SILICONE. MAKE SURE SURFACE OF FAN IS CLEAN, DRY, AND FREE OF ANY DIRT/DEBRIS.**

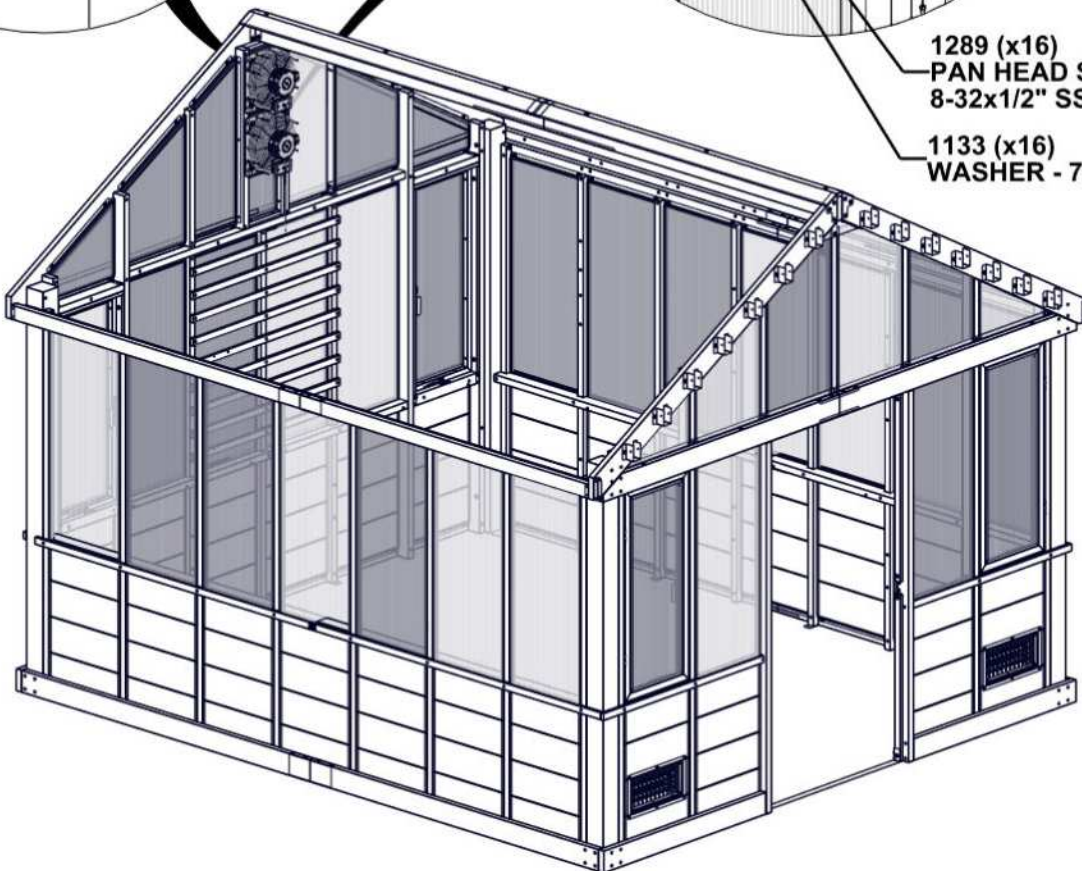
APPLY A FINE BEAD OF SILICONE ALONG THE BOTTOM EDGE OF EACH FAN



2383 (x2)  
EXHAUST FAN

1289 (x16)  
PAN HEAD SCREW  
8-32x1/2" SS

1133 (x16)  
WASHER - 7x14

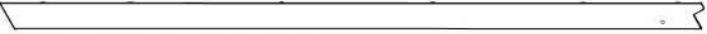


# STEP 121 - ROOF ASSEMBLY

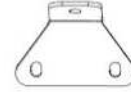
QTY	PART NUMBER	DESCRIPTION
24	H101202	TORX PAN HEAD 1/4-20x3/4 ASSY
1	H101103	TORX SOCKET SCREW 1/4-20



R07 RAFTER - A4M04999  
(x2) 85 3/16"x4 3/4"x3 1/8" (80x120x2163)



R09 RAFTER - A4M05010  
(x1) 85 3/16"x4 5/16"x3 1/8" (80x110x2163)



J13 RAFTER SUPPORT BRACKET - A4M05306  
(x3) 3 5/8"x3 1/16"x1 15/16" (48.52x78x91.4)



R10 RAFTER - A4M05011  
(x1) 85 3/16"x4 3/4"x3 1/8" (80x120x2163)

- ALIGN BRACKET HOLES WITH THREADED INSERTS AND ALIGN SCREW HOLES.
- ATTACH EACH RAFTER AT THE RIDGE AS SHOWN.
- ATTACH END OF EACH RAFTER AND J13 TO SIDE BEAM.

1103 (x1)  
TORX SOCKET  
SCREW 1/4-20

J13 (x3)  
RAFTER SUPPORT  
BRACKET

**ATTACH RAFTER  
END FIRST AND THEN  
ATTACH BRACKET J13**

1202 (x15)  
TORX PAN HEAD  
1/4-20x3/4 ASSY

1202 (x8)  
TORX PAN HEAD  
1/4-20x3/4 ASSY

1202 (x1)  
TORX PAN HEAD  
1/4-20x3/4 ASSY

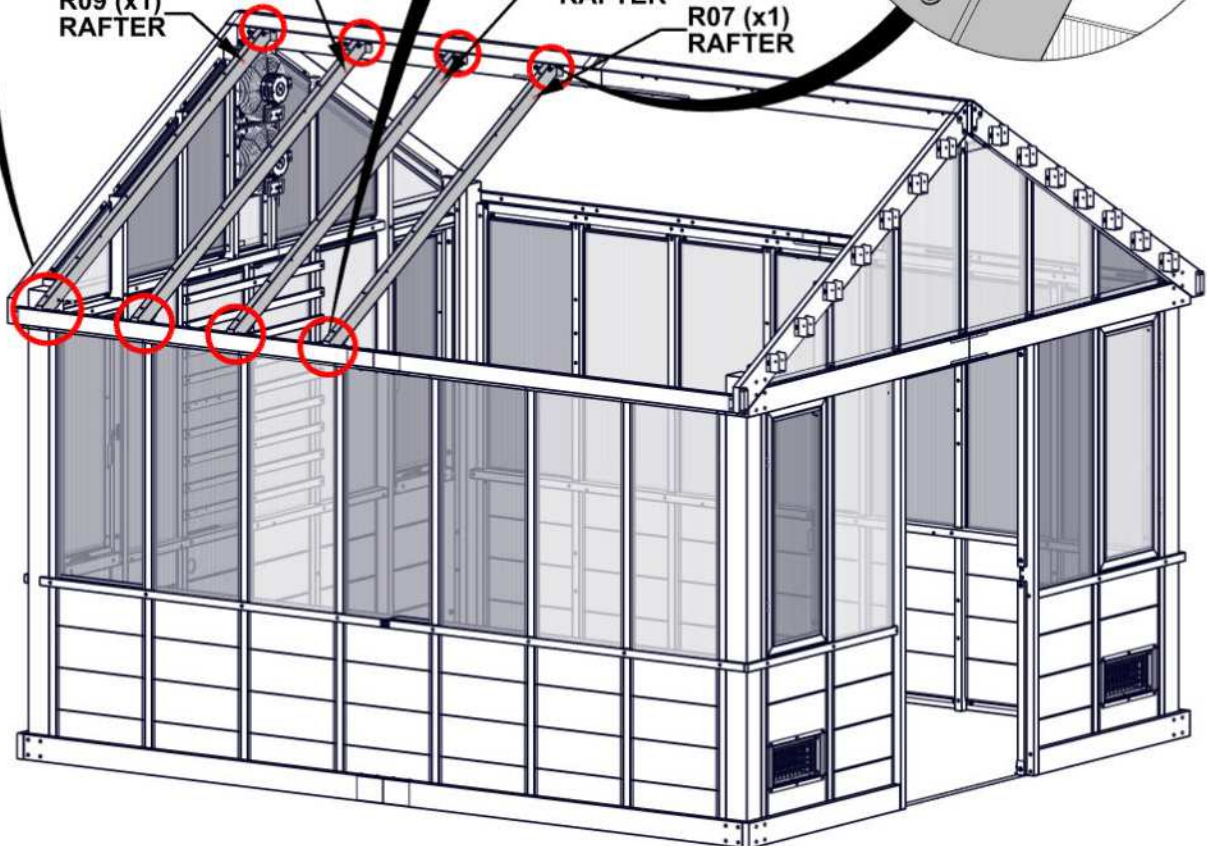
INSIDE VIEW

R07 (x1)  
RAFTER

R10 (x1)  
RAFTER

R07 (x1)  
RAFTER

R09 (x1)  
RAFTER



# STEP 122 - ROOF ASSEMBLY

QTY	PART NUMBER	DESCRIPTION
24	H101202	TORX PAN HEAD 1/4-20x3/4 ASSY
1	H101103	TORX SOCKET SCREW 1/4-20

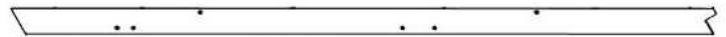


R07 RAFTER - A4M04999  
(x2) 85 3/16"x4 3/4"x3 1/8" (80x120x2163)

J13 RAFTER SUPPORT BRACKET - A4M05306  
(x3) 3 5/8"x3 1/16"x1 15/16" (48.52x78x91.4)



R08 RAFTER - A4M05009  
(x1) 85 3/16"x4 5/16"x3 1/8" (80x110x2163)



R10 RAFTER - A4M05011  
(x1) 85 3/16"x4 3/4"x3 1/8" (80x120x2163)

- ALIGN BRACKET HOLES WITH THREADED INSERTS AND ALIGN SCREW HOLES.
- ATTACH EACH RAFTER AT THE RIDGE AS SHOWN.
- ATTACH END OF EACH RAFTER AND J13 TO SIDE BEAM.

**ATTACH RAFTER  
END FIRST AND THEN  
ATTACH BRACKET J13**

1202 (x15)  
TORX PAN HEAD  
1/4-20x3/4 ASSY

1202 (x8)  
TORX PAN HEAD  
1/4-20x3/4 ASSY

1103 (x1)  
TORX SOCKET  
SCREW 1/4-20

J13 (x3)  
RAFTER  
SUPPORT  
BRACKET

INSIDE VIEW

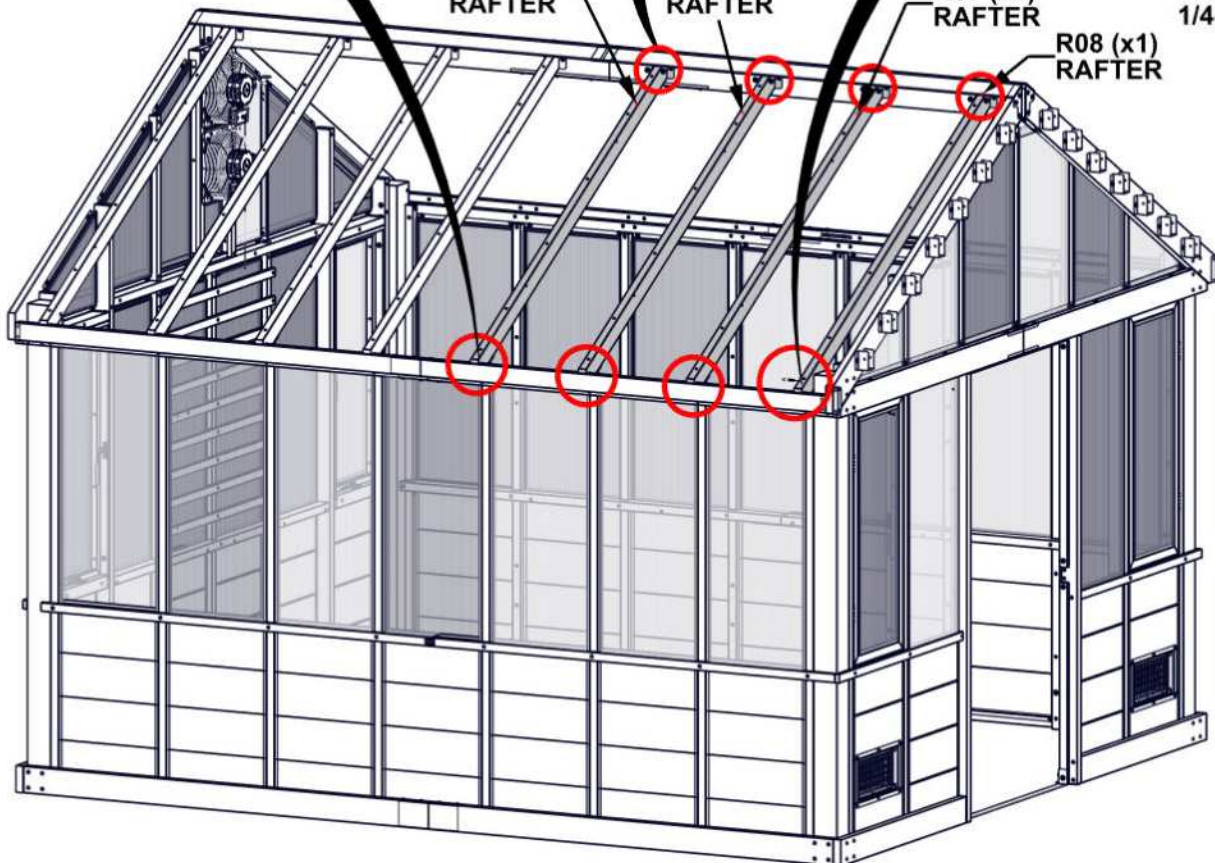
R07 (x1)  
RAFTER

R10 (x1)  
RAFTER

R07 (x1)  
RAFTER

R08 (x1)  
RAFTER

1202 (x1)  
TORX PAN HEAD  
1/4-20x3/4 ASSY



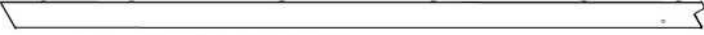
# STEP 123 - ROOF ASSEMBLY

QTY	PART NUMBER	DESCRIPTION
24	H101202	TORX PAN HEAD 1/4-20x3/4 ASSY
1	H101103	TORX SOCKET SCREW 1/4-20



R07 RAFTER - A4M04999  
(x2) 85 3/16"x4 3/4"x3 1/8" (80x120x2163)

J13 RAFTER SUPPORT BRACKET - A4M05306  
(x3) 3 5/8"x3 1/16"x1 15/16" (48.52x78x91.4)

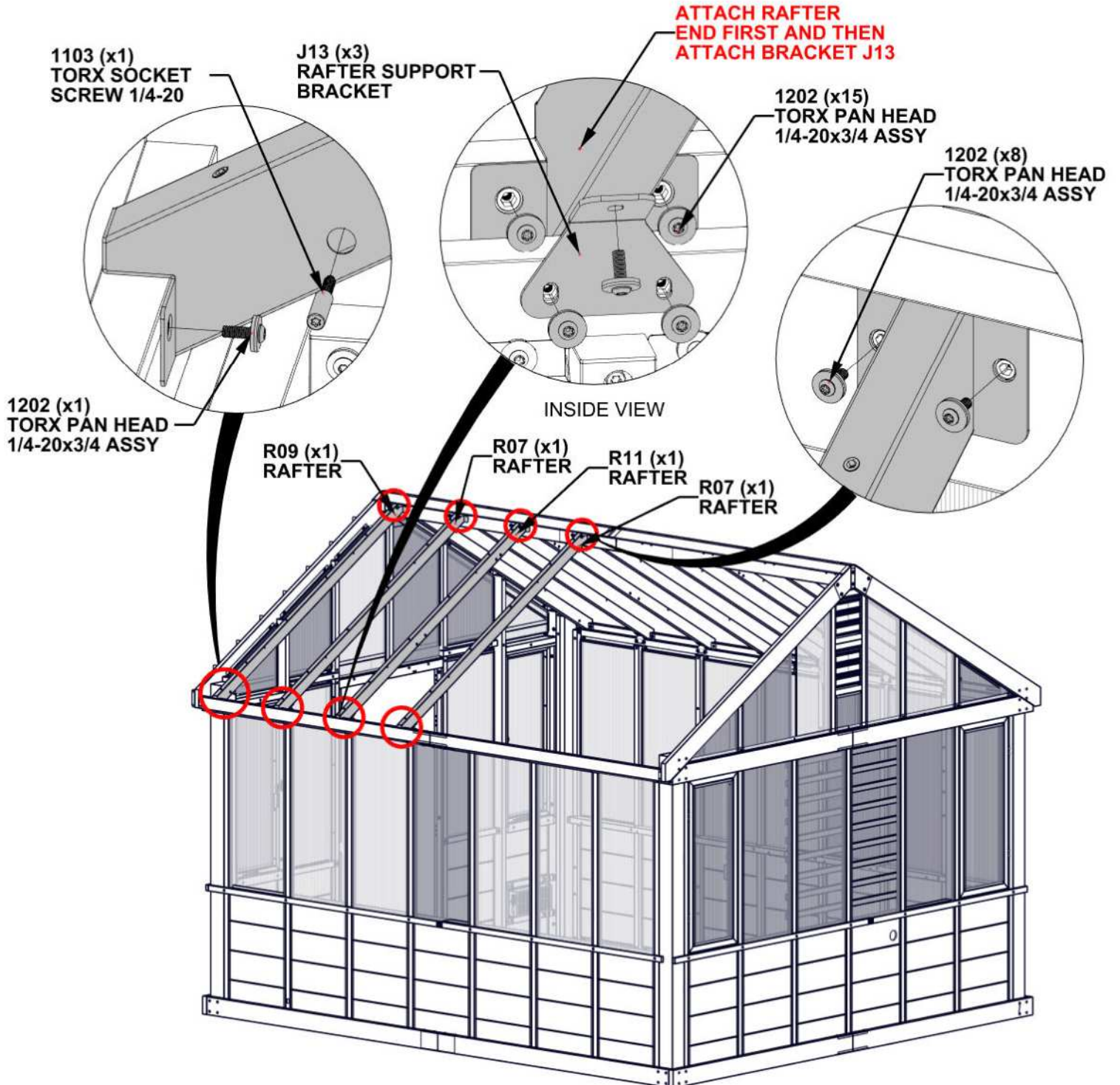


R09 RAFTER - A4M05010  
(x1) 85 3/16"x4 5/16"x3 1/8" (80x110x2163)



R11 RAFTER - A4M05012  
(x1) 85 3/16"x4 3/4"x3 1/8" (80x120x2163)

- ALIGN BRACKET HOLES WITH THREADED INSERTS AND ALIGN SCREW HOLES.
- ATTACH EACH RAFTER AT THE RIDGE AS SHOWN.
- ATTACH END OF EACH RAFTER AND J13 TO SIDE BEAM.



# STEP 124 - ROOF ASSEMBLY

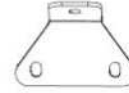
QTY	PART NUMBER	DESCRIPTION
24	H101202	TORX PAN HEAD 1/4-20x3/4 ASSY
1	H101103	TORX SOCKET SCREW 1/4-20



R07 RAFTER - A4M04999  
(x2) 85 3/16"x4 3/4"x3 1/8" (80x120x2163)



R08 RAFTER - A4M05009  
(x1) 85 3/16"x4 5/16"x3 1/8" (80x110x2163)



J13 RAFTER SUPPORT BRACKET - A4M05306  
(x3) 3 5/8"x3 1/16"x1 15/16" (48.52x78x91.4)



R11 RAFTER - A4M05012  
(x1) 85 3/16"x4 3/4"x3 1/8" (80x120x2163)

- ALIGN BRACKET HOLES WITH THREADED INSERTS AND ALIGN SCREW HOLES.
- ATTACH EACH RAFTER AT THE RIDGE AS SHOWN.
- ATTACH END OF EACH RAFTER AND J13 TO SIDE BEAM.

**ATTACH RAFTER  
END FIRST AND THEN  
ATTACH BRACKET J13**

1202 (x15)  
TORX PAN HEAD  
1/4-20x3/4 ASSY

1202 (x8)  
TORX PAN HEAD  
1/4-20x3/4 ASSY

1103 (x1)  
TORX SOCKET  
SCREW 1/4-20

J13 (x3)  
RAFTER  
SUPPORT  
BRACKET

INSIDE VIEW

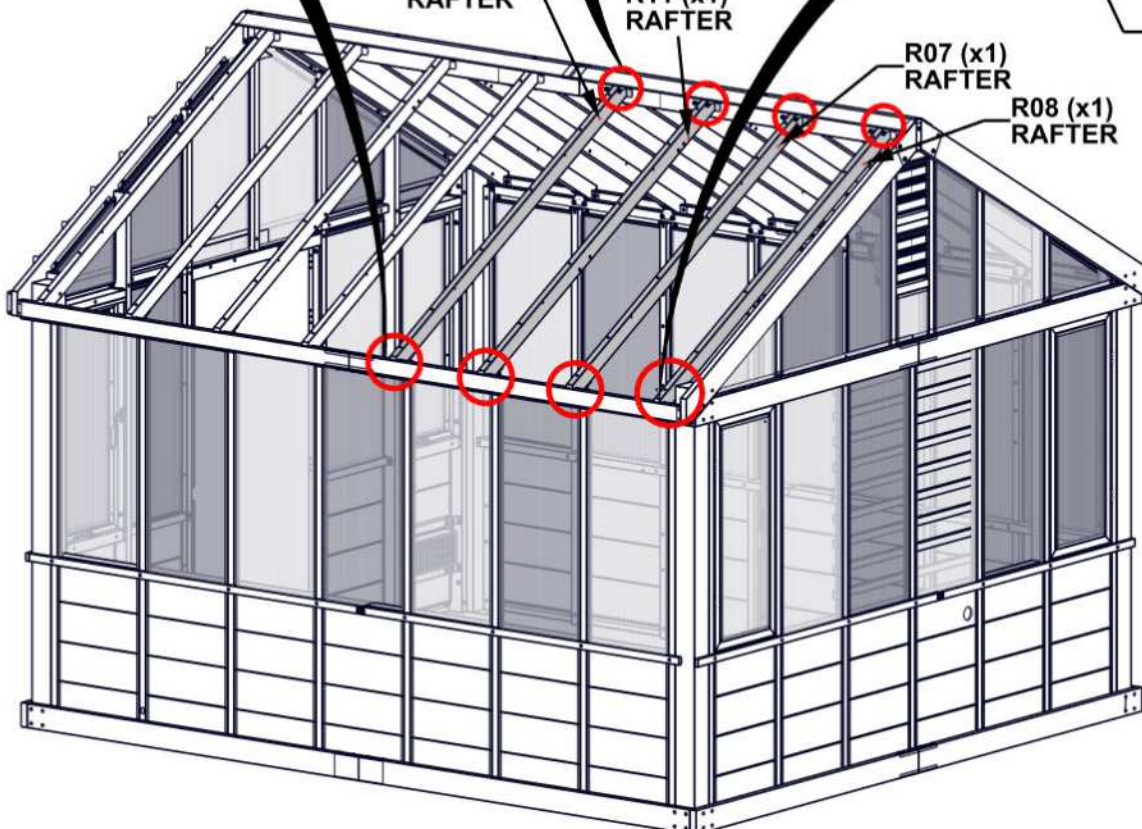
R07 (x1)  
RAFTER

R11 (x1)  
RAFTER

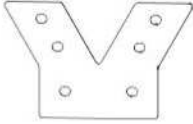
R07 (x1)  
RAFTER

R08 (x1)  
RAFTER

1202 (x1)  
TORX PAN HEAD  
1/4-20x3/4 ASSY

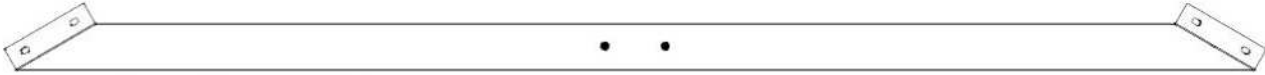


# STEP 125 - GABLE ASSEMBLY



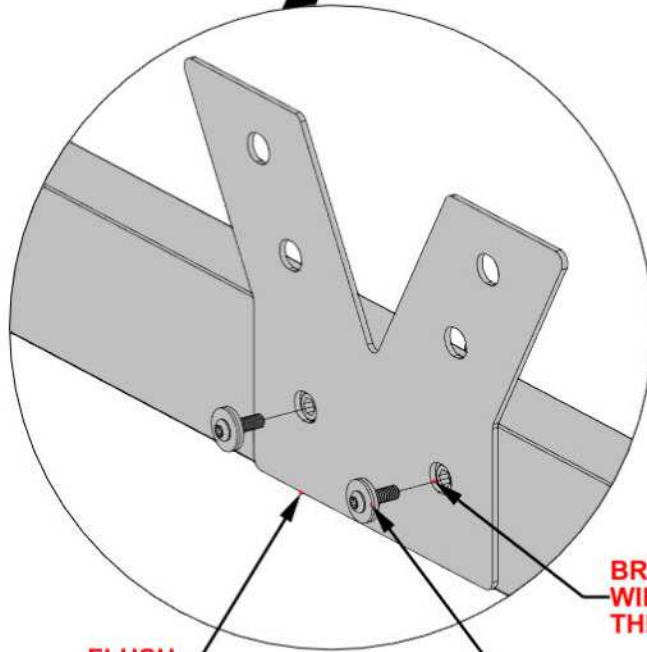
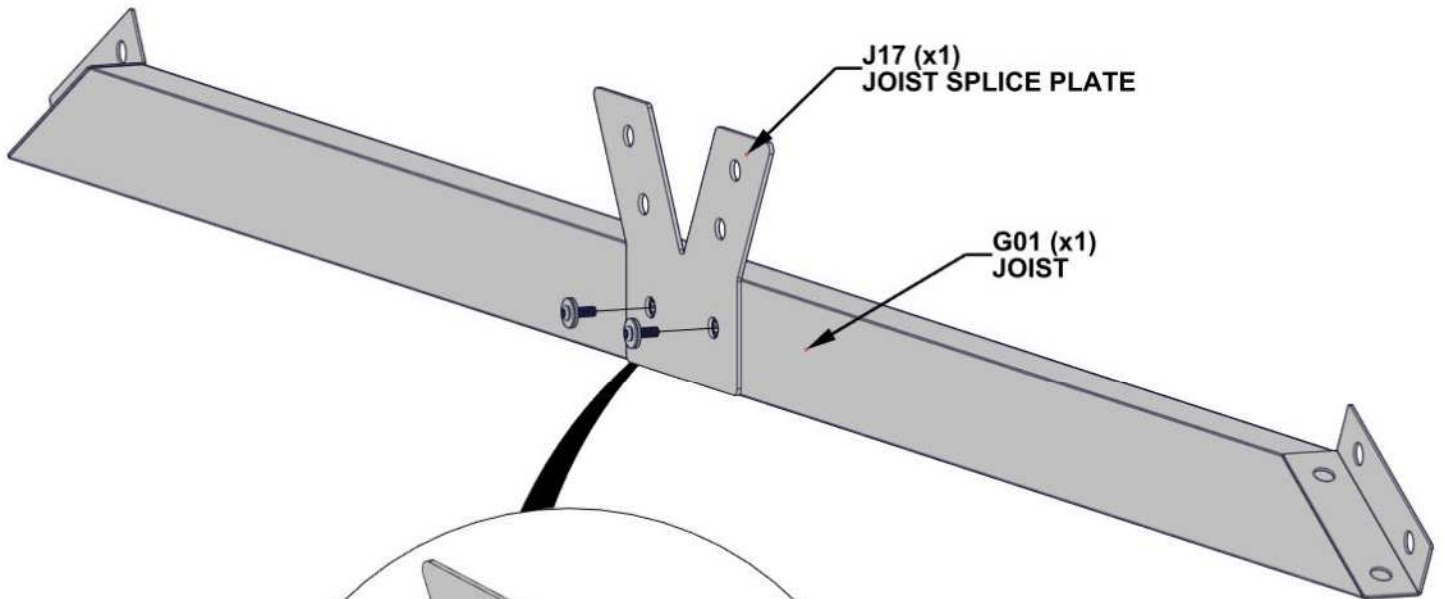
QTY	PART NUMBER	DESCRIPTION
4	H101202	TORX PAN HEAD 1/4-20x3/4 ASSY

J17 JOIST SPLICE PLATE - A4M05286  
(x2) 11 1/2"x7 1/16"x1/8" (3x180x291.6)



G01 JOIST - A4M05046  
(x2) 90 13/16"x4 1/2"x1 9/16" (40x114x2306.5)

- FOR EASE OF ASSEMBLY, WE RECOMMEND USING SAWHORSES FOR STEP 125-127.
- REPEAT THIS STEP 2 TIMES.
- HAND TIGHTEN ONLY.



J17 (x1)  
JOIST SPLICE PLATE

G01 (x1)  
JOIST

FLUSH

BRACKET HOLES  
WILL FIT AROUND  
THREADED INSERTS

1202 (x2)  
TORX PAN HEAD  
1/4-20x3/4 ASSY

# STEP 126 - GABLE ASSEMBLY

QTY	PART NUMBER	DESCRIPTION
8	H101202	TORX PAN HEAD 1/4-20x3/4 ASSY

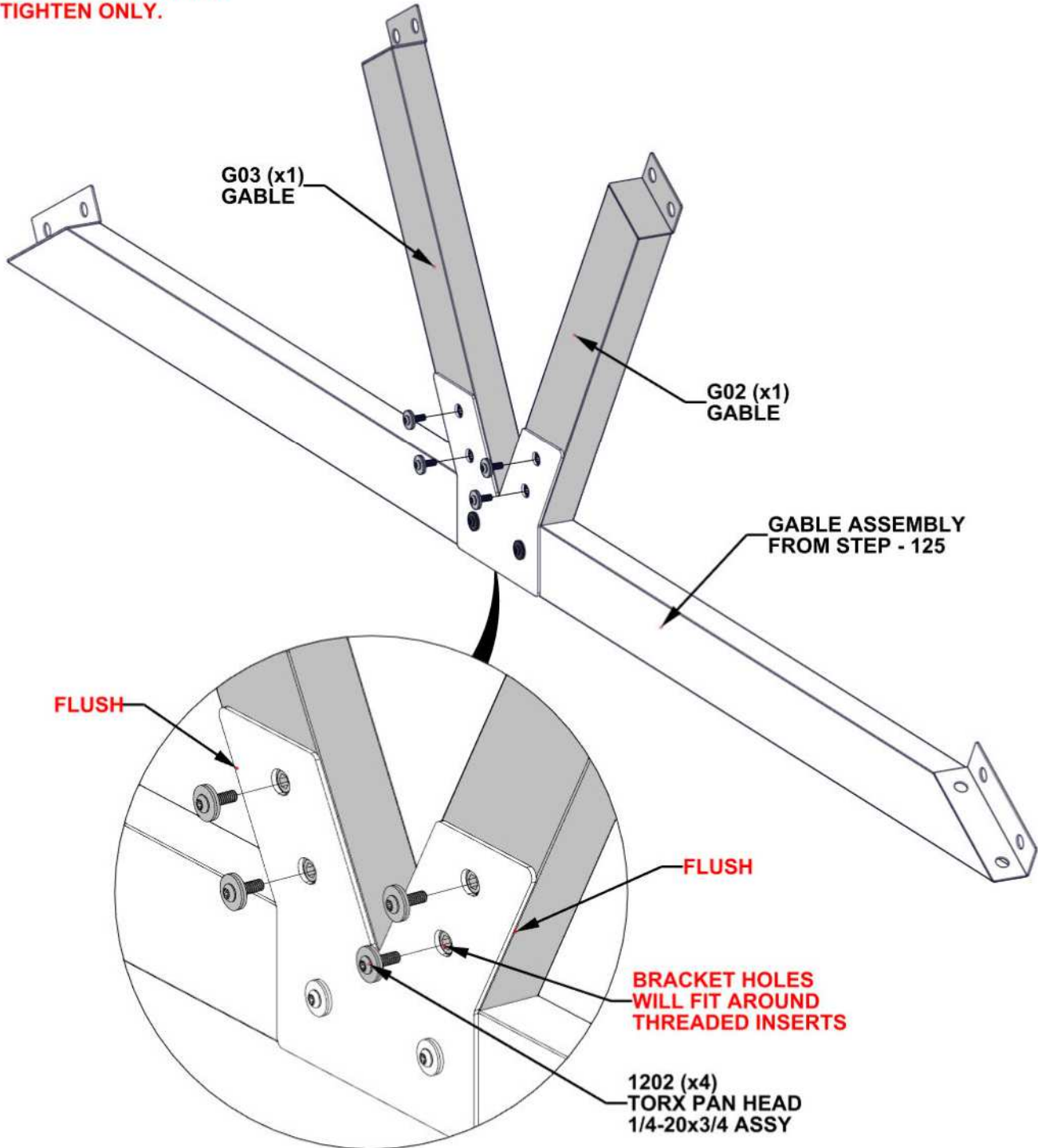


**G02 GABLE - A4M05047**  
(x2) 21 1/4"x3 1/8"x1 5/8" (42x80x539)



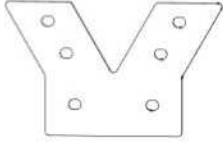
**G03 GABLE - A4M05048**  
(x2) 21 1/4"x3 1/8"x1 5/8" (42x80x539)

- REPEAT THIS STEP 2 TIMES.
- HAND TIGHTEN ONLY.



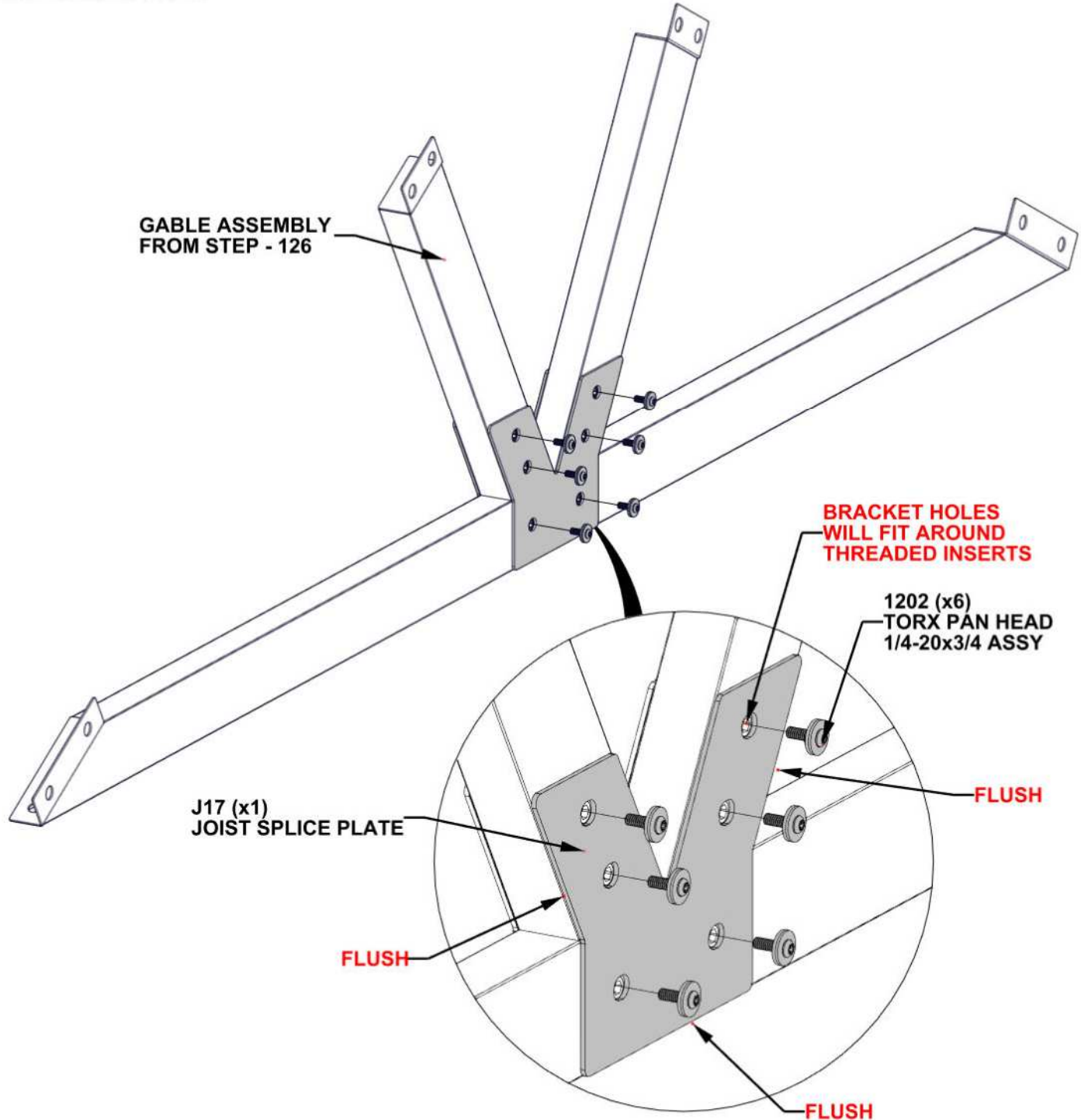
# STEP 127 - GABLE ASSEMBLY

QTY	PART NUMBER	DESCRIPTION
12	H101202	TORX PAN HEAD 1/4-20x3/4 ASSY



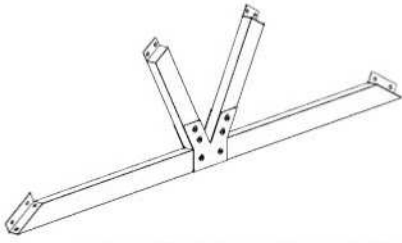
J17 JOIST SPLICE PLATE - A4M05286  
(x2) 11 1/2"x180x1/8" (3x180x291.6)

- REPEAT THIS STEP 2 TIMES.
- HAND TIGHTEN ONLY.



# STEP 128 - GABLE ASSEMBLY

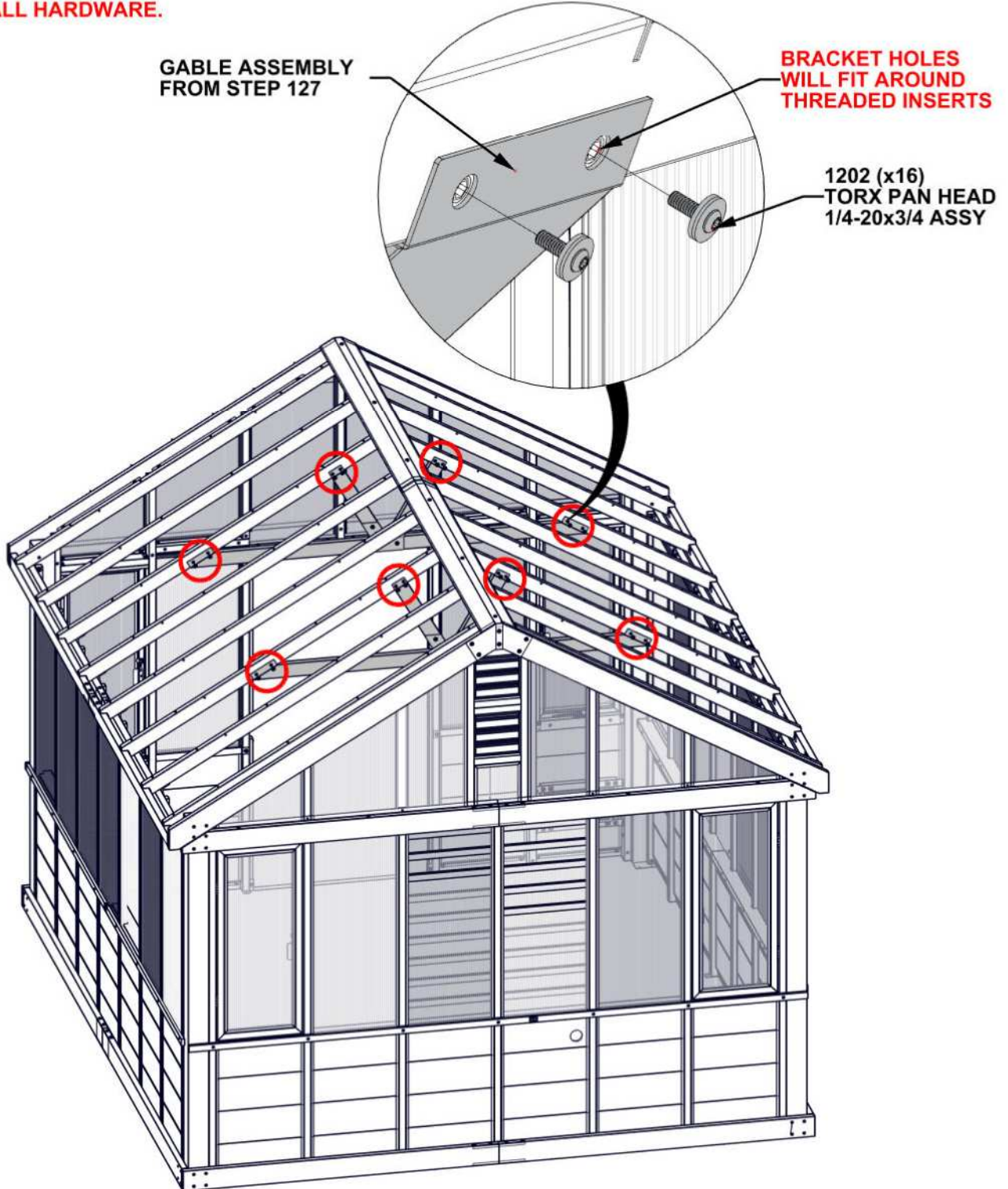
QTY	PART NUMBER	DESCRIPTION
16	H101202	TORX PAN HEAD 1/4-20x3/4 ASSY



GABLE ASSEMBLY FROM STEP 127

- WITH AT LEAST TWO OTHER PEOPLE, ATTACH 2 GABLE ASSEMBLIES TO RAFTERS.

- **TIGHTEN ALL HARDWARE.**



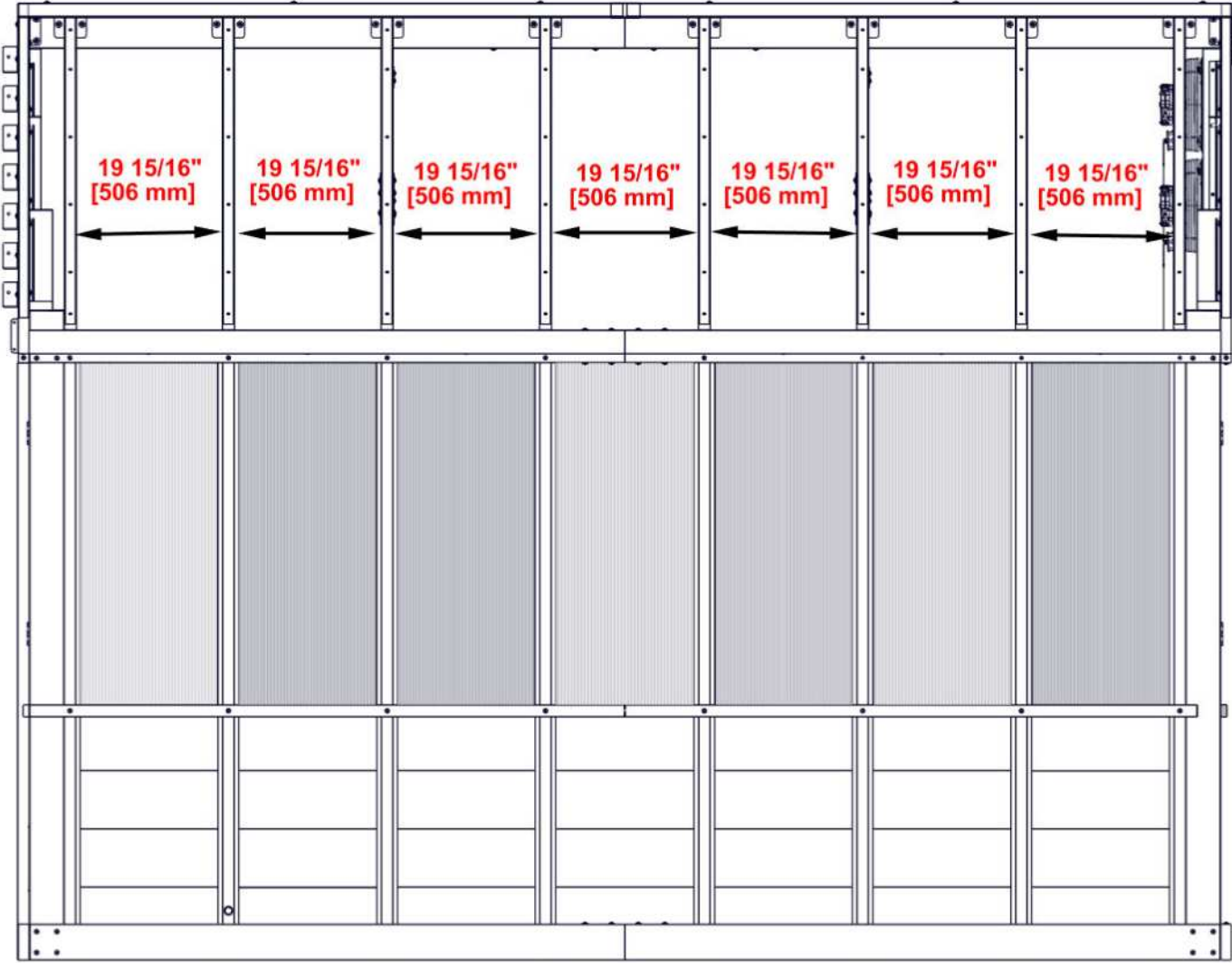
GABLE ASSEMBLY FROM STEP 127

**BRACKET HOLES WILL FIT AROUND THREADED INSERTS**

1202 (x16)  
TORX PAN HEAD  
1/4-20x3/4 ASSY

# STEP 129 - ROOF ASSEMBLY

**IMPORTANT!**  
THE FOLLOWING STEP ARE CRITICAL:  
•MEASUREMENTS BETWEEN RAFTER AND RAFTER ARE AS SHOWN +/- 1/8".

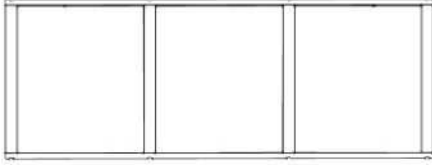


FRONT

BACK

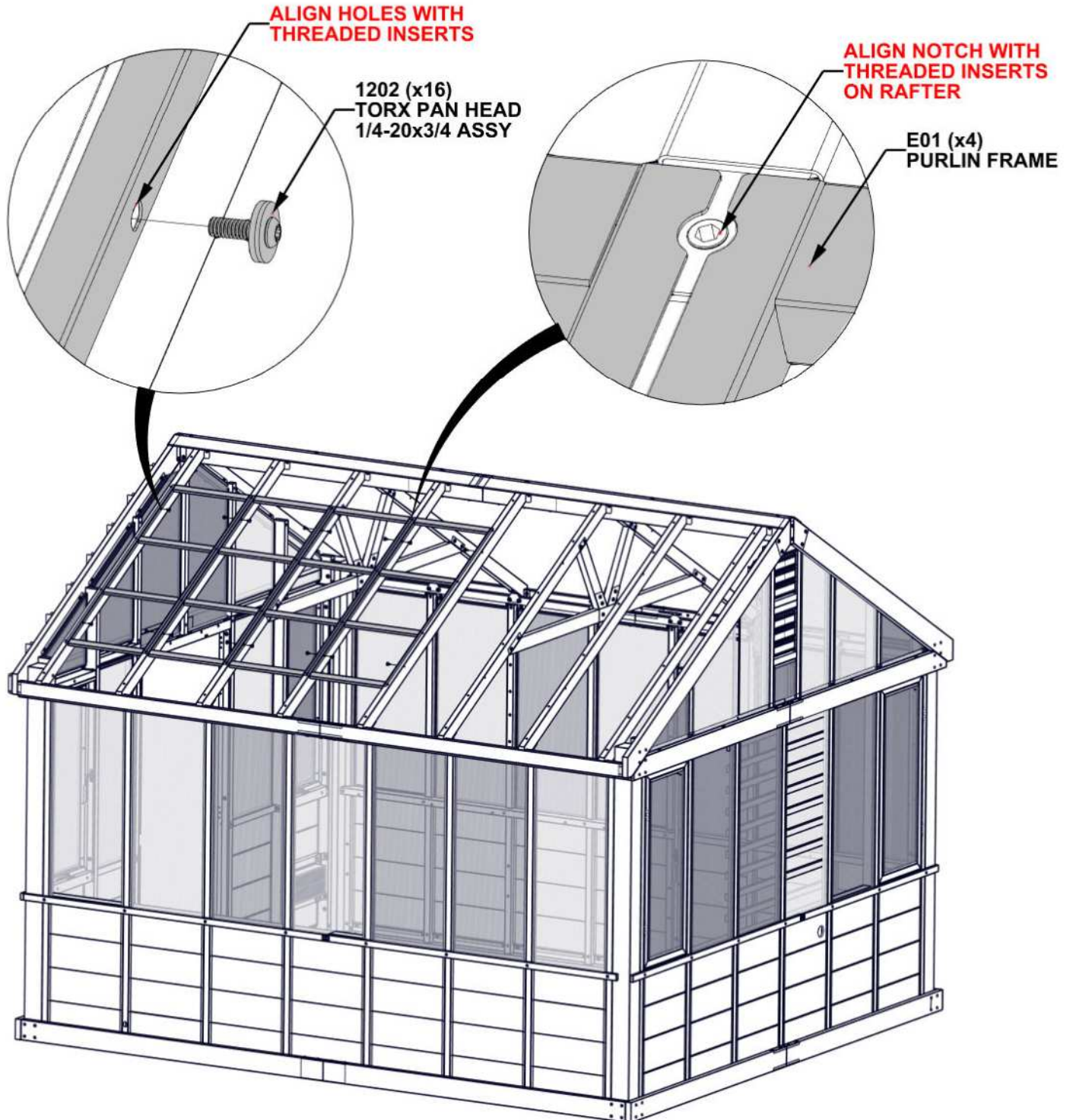
# STEP 130 - ROOF ASSEMBLY

QTY	PART NUMBER	DESCRIPTION
16	H101202	TORX PAN HEAD 1/4-20x3/4 ASSY



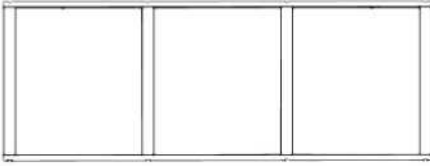
E01 PURLIN FRAME - A4M05032  
(x4) 13/16"x21 5/16"56 1/2" (21x541x1435)

- WITH ONE EXTRA PERSON, ATTACH PURLIN FRAMES ONTO RAFTERS.



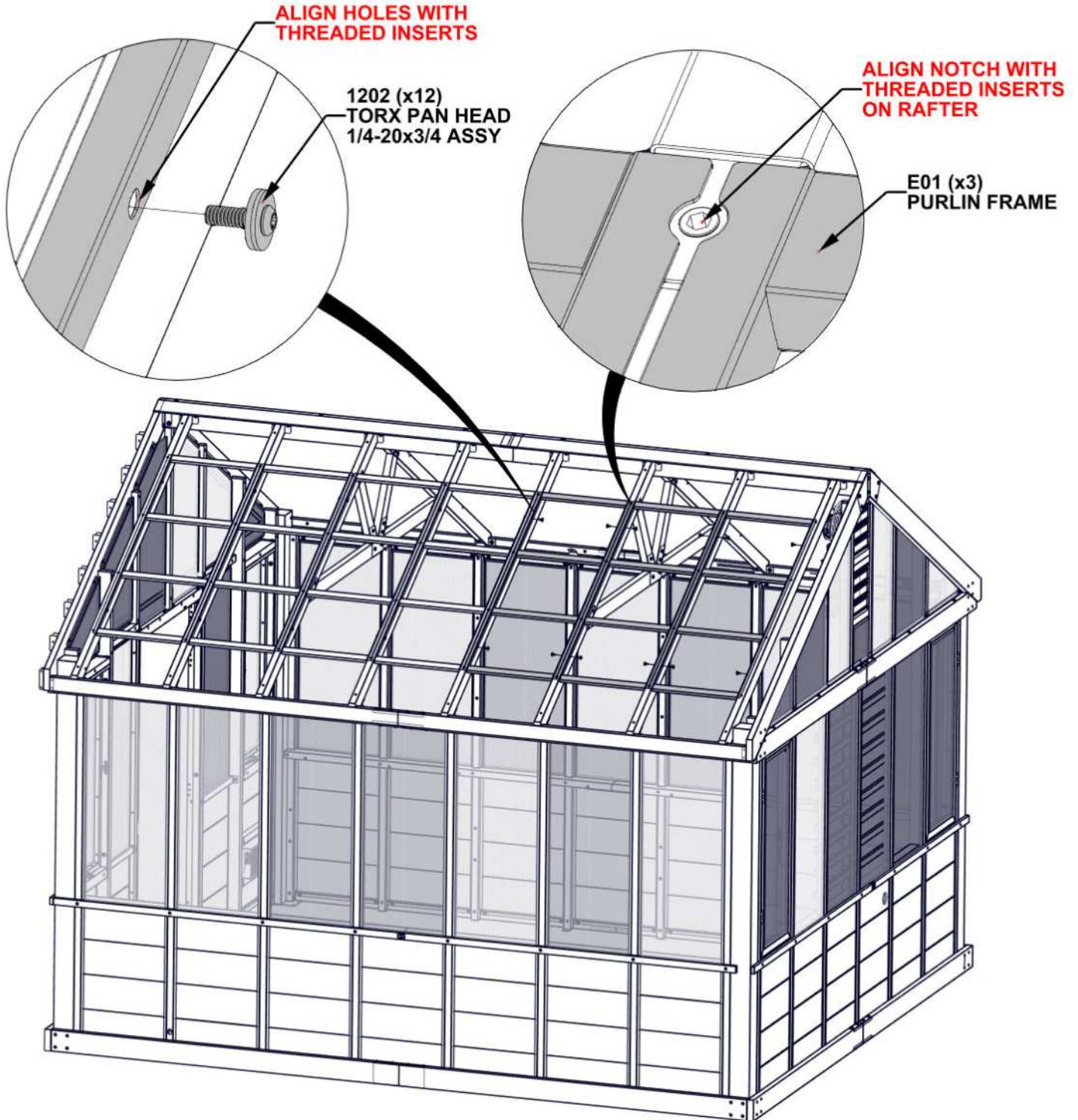
# STEP 131 - ROOF ASSEMBLY

QTY	PART NUMBER	DESCRIPTION
12	H101202	TORX PAN HEAD 1/4-20x3/4 ASSY



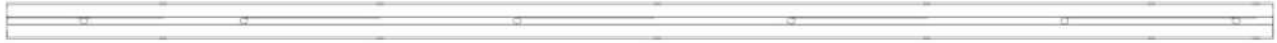
E01 PURLIN FRAME - A4M05032  
(x3) 13/16"x21 5/16"56 1/2" (21x541x1435)

- WITH ONE EXTRA PERSON, ATTACH PURLIN FRAMES ONTO RAFTERS.



# STEP 132 - ROOF ASSEMBLY

QTY	PART NUMBER	DESCRIPTION
40	H101476	SCREW PWH 8/32-15x1 1/8"



1421 POLY SHEET SPLICE - A6P01421  
(x8) 84 3/4"x2 7/16"x9/16" (14.5x61.8x2152)

- SLIDE POLY SHEET SPLICE UNTIL ONE END IS POSITIONED UNDERNEATH RIDGE CAP.



**END WITH HOLE FURTHER AWAY FROM THE EDGE WILL BE ORIENTED TO RIDGE OF GREENHOUSE**

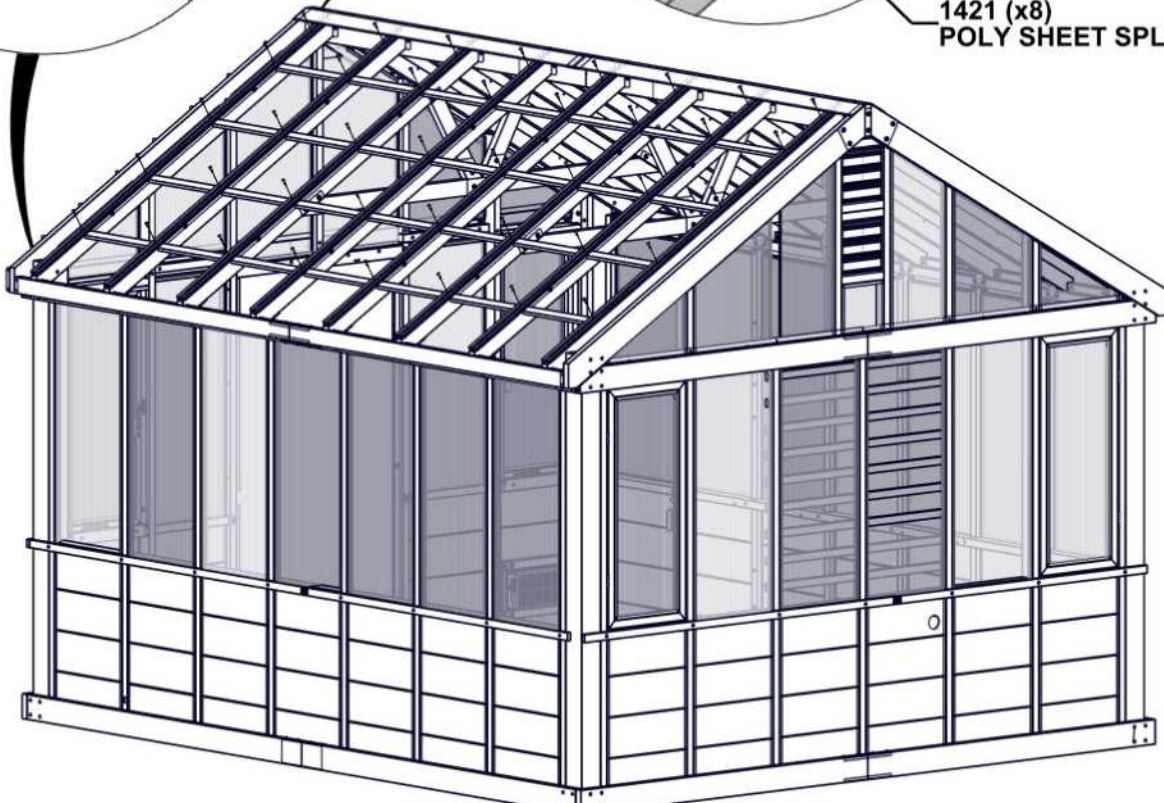
**DO NOT ADD SCREWS TO THE BOTTOM ROW UNTIL LATER STEPS**

1476 (x40)  
SCREW PWH  
8/32-15x1 1/8"

**DO NOT OVERTIGHTEN**

**CAREFULLY LIFT EDGE OF RIDGE CAP TO ALLOW POLY SHEET SPLICE TO SLIDE UNDERNEATH**

1421 (x8)  
POLY SHEET SPLICE



# STEP 133 - ROOF ASSEMBLY



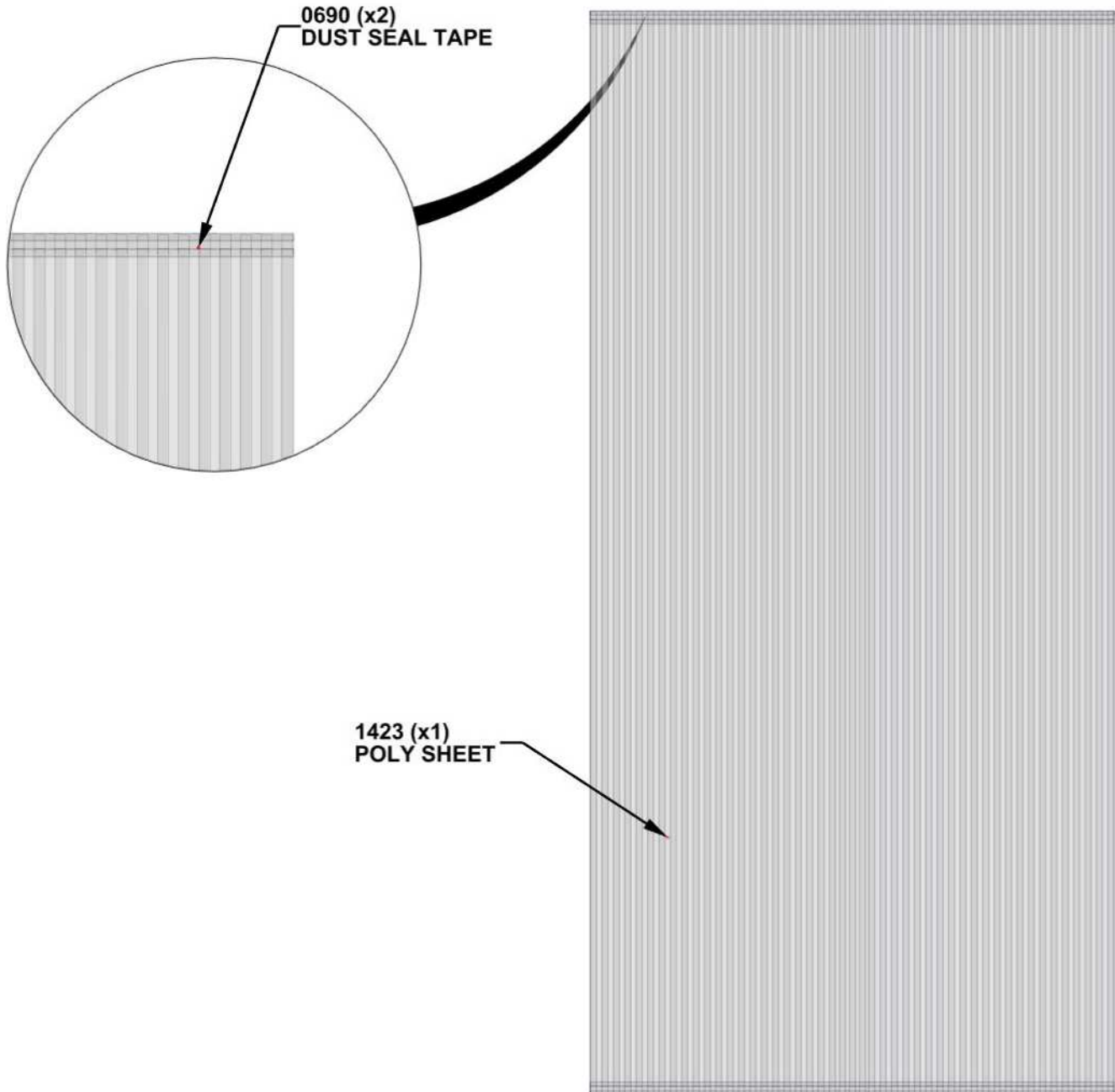
1423 POLY SHEET - A6P01423  
(x7) 84 11/16"x20 11/16"x3/8" (10x525x2151)



A6P00690 DUST SEAL TAPE

## TO APPLY DUST SEAL TAPE:

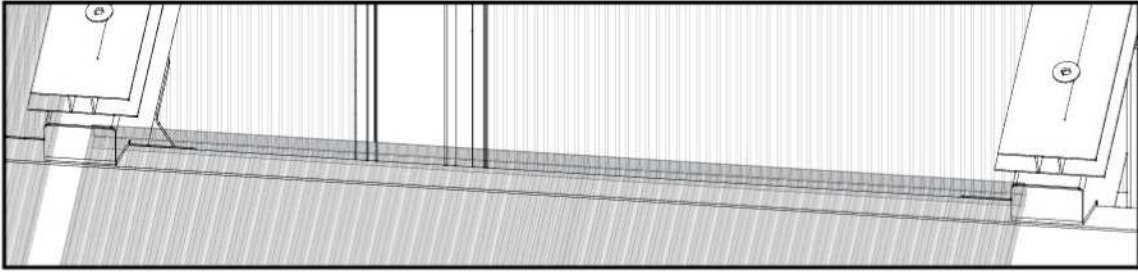
- CUT 2 STRIPS OF DUST SEAL TAPE THE SAME WIDTH AS THE POLY SHEET.
  - WRAP DUST SEAL TAPE ALONG EDGE OF POLY SHEET WIDTH.
  - REPEAT ON THE BOTTOM SIDE OF POLY SHEET.
- REPEAT FOR 7 POLY SHEETS.**



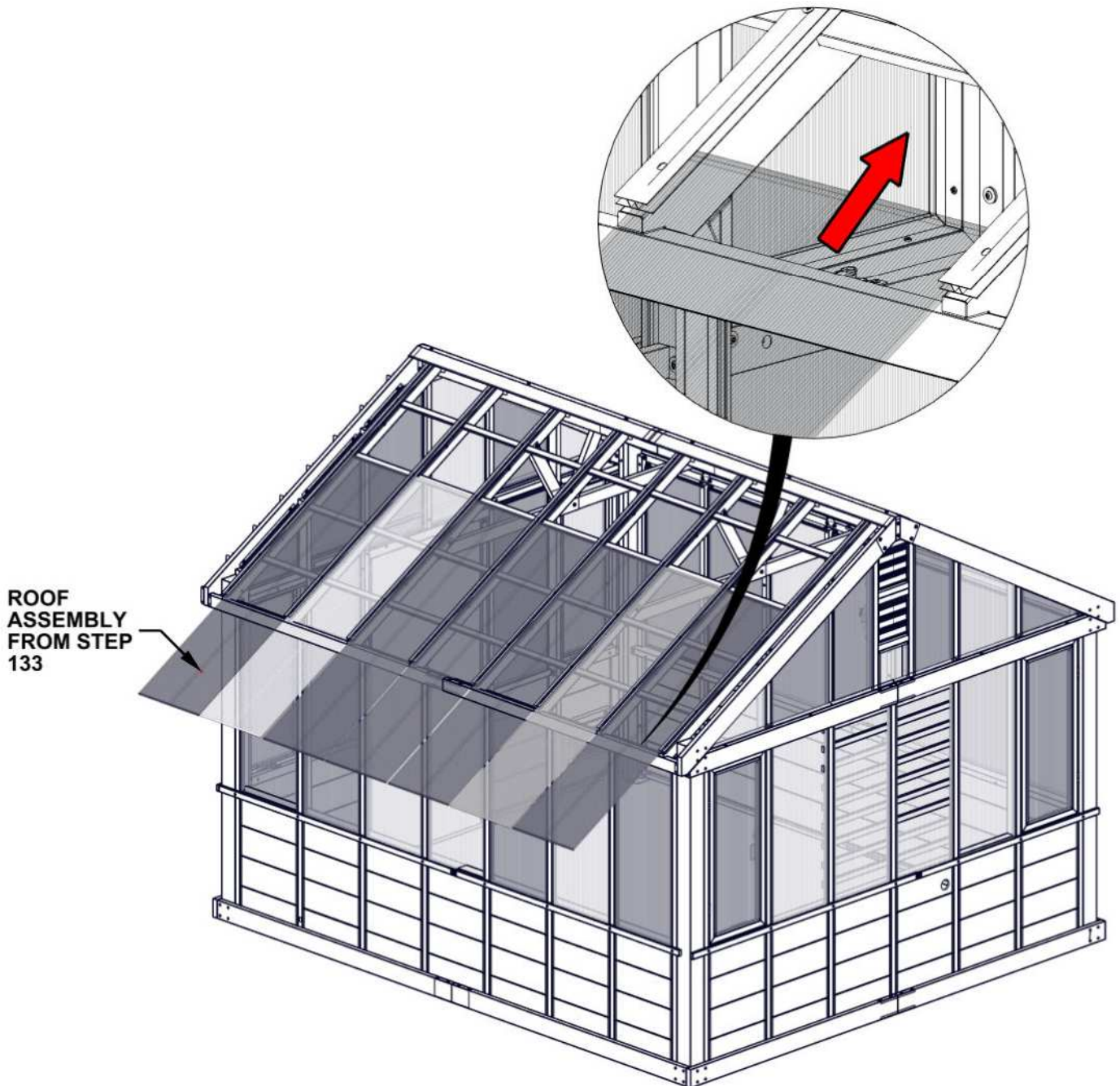
# STEP 134 - ROOF ASSEMBLY

**IMPORTANT!**

- ENSURE UV SIDE OF POLY SHEETS ARE FACING OUTSIDE.
- REMOVE THE PROTECTIVE FILM PRIOR TO INSTALLATION OF POLY SHEETS.



- SLIDE POLY SHEETS INTO POLY SHEET SPLICES.
- PUSH THE SHEETS UNTIL BOTTOM OF SHEET IS FLUSH WITH POLY SHEET SPLICE AS SHOWN.



# STEP 135 - ROOF ASSEMBLY

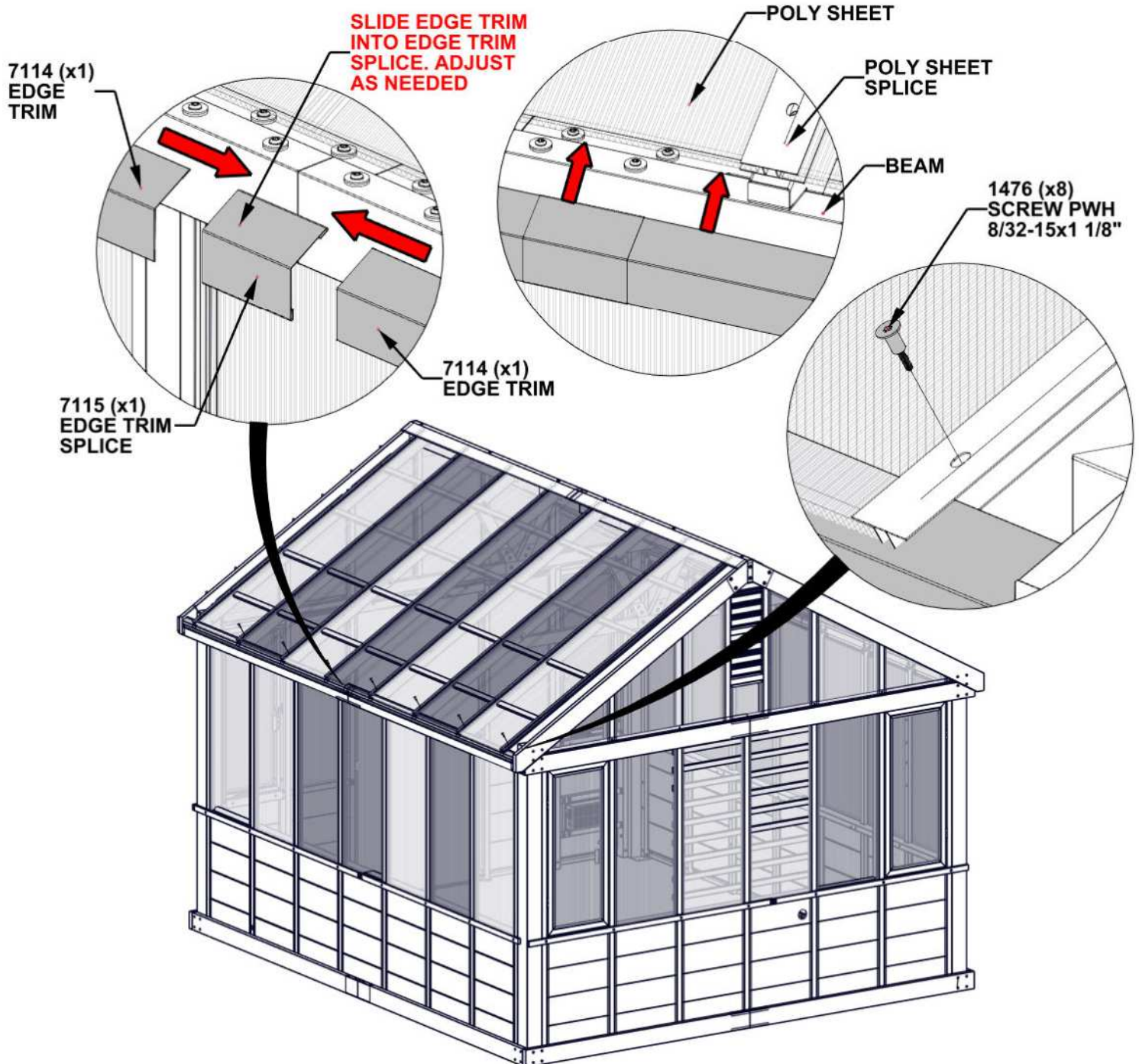
QTY	PART NUMBER	DESCRIPTION
8	H101476	SCREW PWH 8/32-15x1 1/8"



7114 EDGE TRIM - A4M07114  
(x2) 1 9/16"x2 5/8"x80 3/8" (40x68x2042)

7115 EDGE TRIM SPLICE - A4M07115  
(x1) 1 5/8"x3 15/16"x2 11/16" (41x100x69)

- REMOVE PROTECTIVE FILM.
- ASSEMBLE EDGE TRIM BY SLIDING EDGE TRIM INTO EACH SIDE OF EDGE TRIM SPLICE, ADJUST LENGTH ACCORDINGLY.
- THEN SLIDE EDGE TRIM ASSEMBLY UNDER POLY SHEET AND POLY SHEET SPLICE ON THE BEAMS.
- ADD SCREWS TO BOTTOM ROW OF POLY SHEET SPLICE.
- **WARNING: GLOVES ARE RECOMMENDED WHEN HANDLING STEEL.**



# STEP 136 - ROOF ASSEMBLY



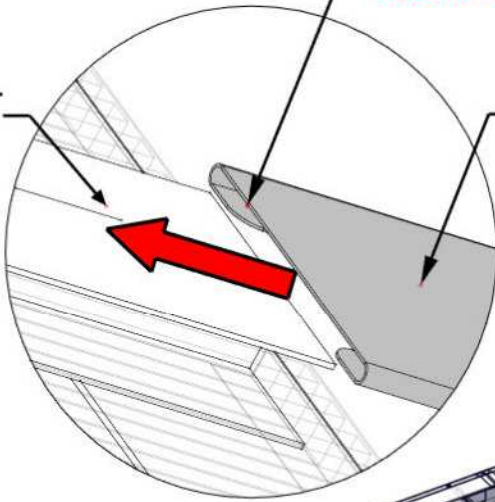
5295 SPLICE COVER - A4M05295  
(x6) 84 5/8"x2 5/8"x3/16" (4x67x2150)

- REMOVE PROTECTIVE FILM.
- SLIDE SPLICE COVER ONTO POLY SHEET SPLICE AND SLIDE UP UNTIL THE BOTTOM OF THE SPLICE COVER IS FLUSH WITH BOTTOM OF THE POLY SHEET SPLICE.
- WARNING: GLOVES ARE RECOMMENDED WHEN HANDLING STEEL.

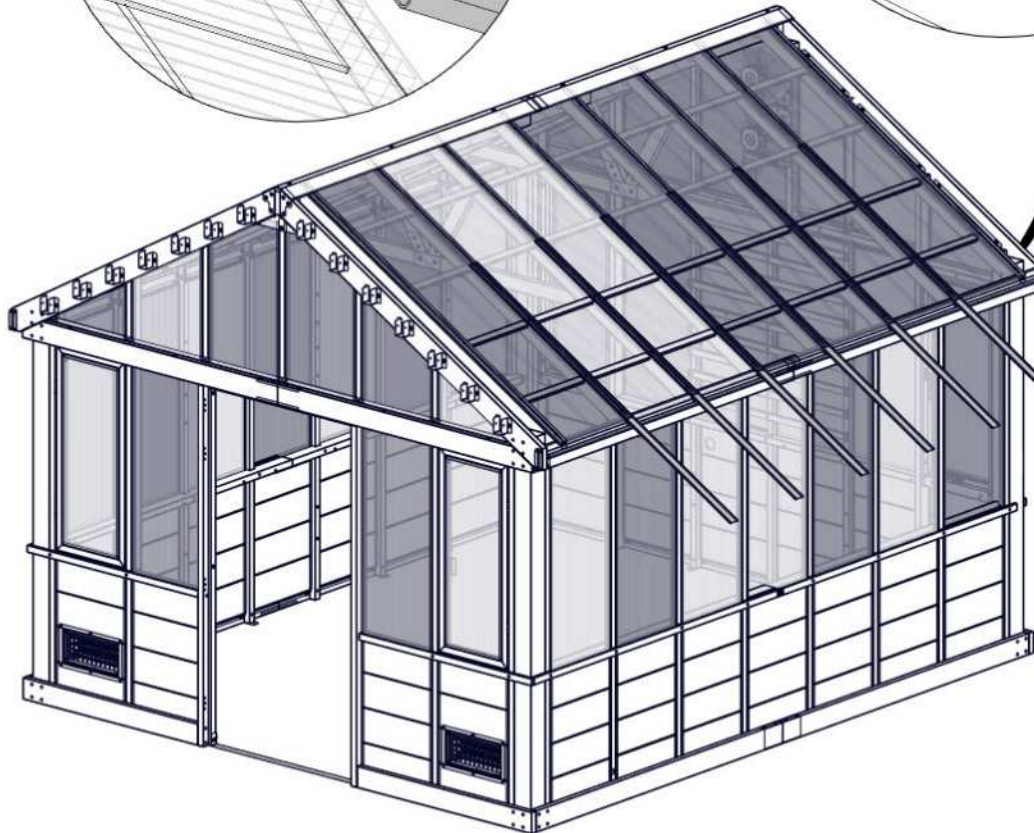
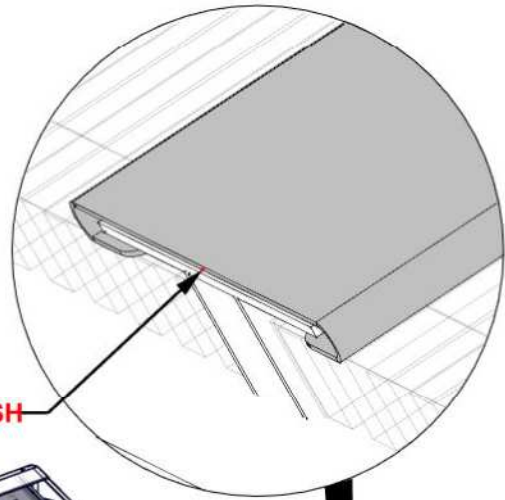
TABS OF SPLICE COVER SLIDE INTO POLY SPLICE AS SHOWN

1421 POLY SHEET SPLICE

5295 SPLICE COVER



FLUSH



5295 (x6)  
SPLICE COVER

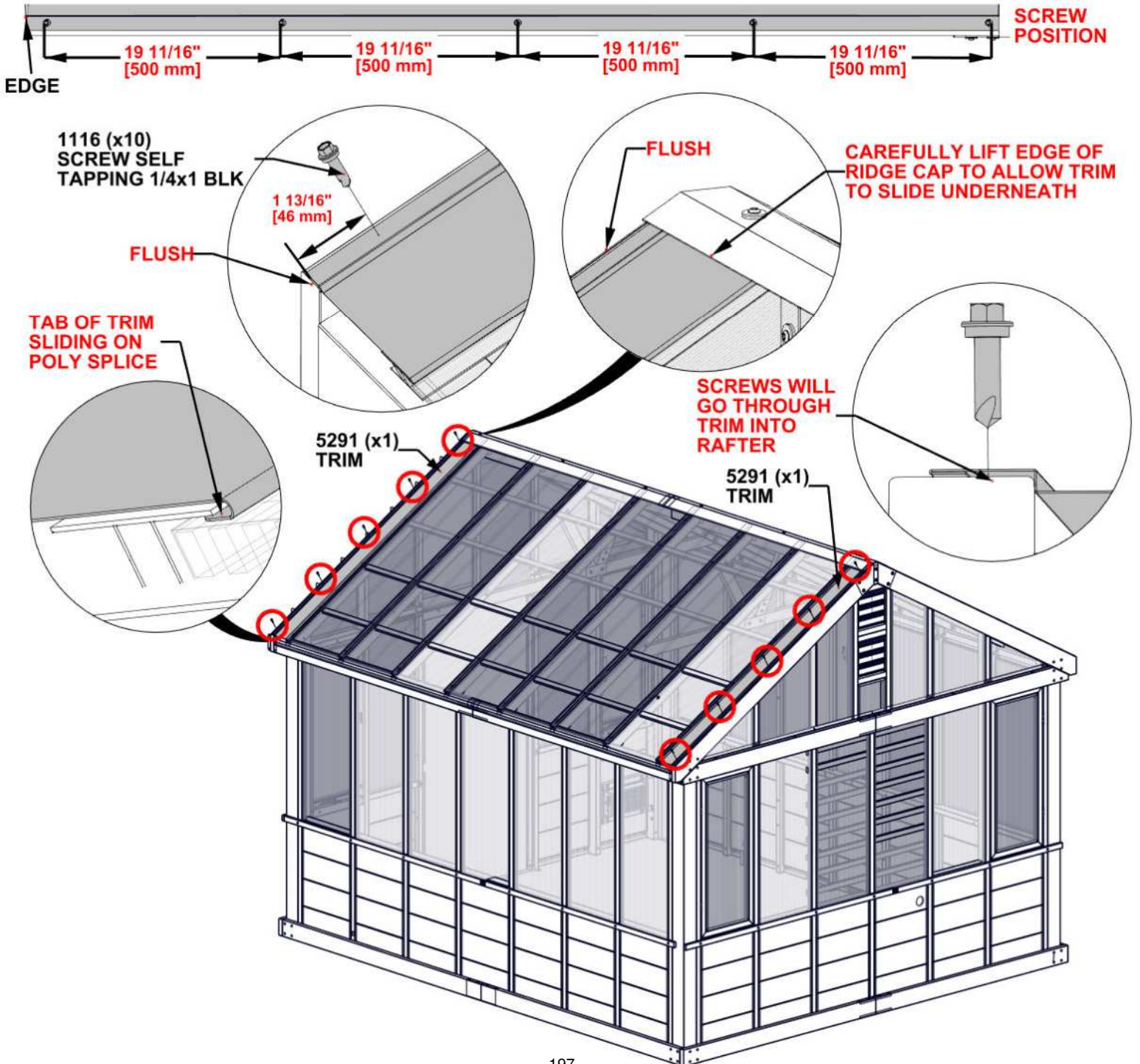
# STEP 137 - ROOF ASSEMBLY

QTY	PART NUMBER	DESCRIPTION
10	H101116	SCREW SELF TAPPING 1/4x1 BLK

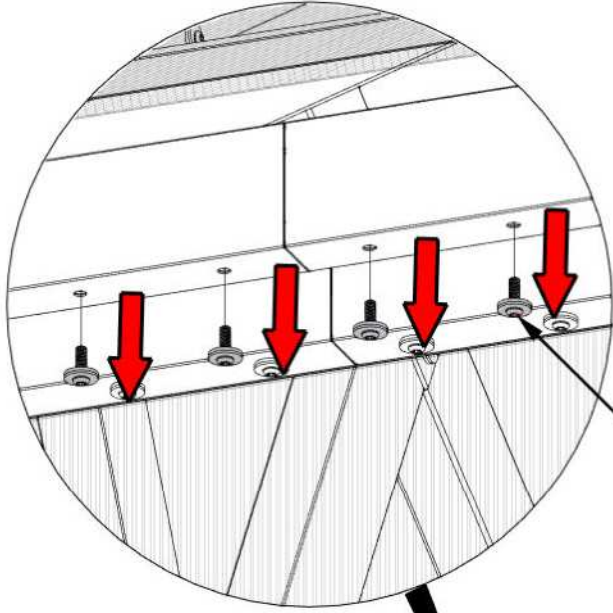


5291 TRIM - A4M05291  
 (x2) 84 5/8"x7 7/8"x3/8" (10x200x2150)

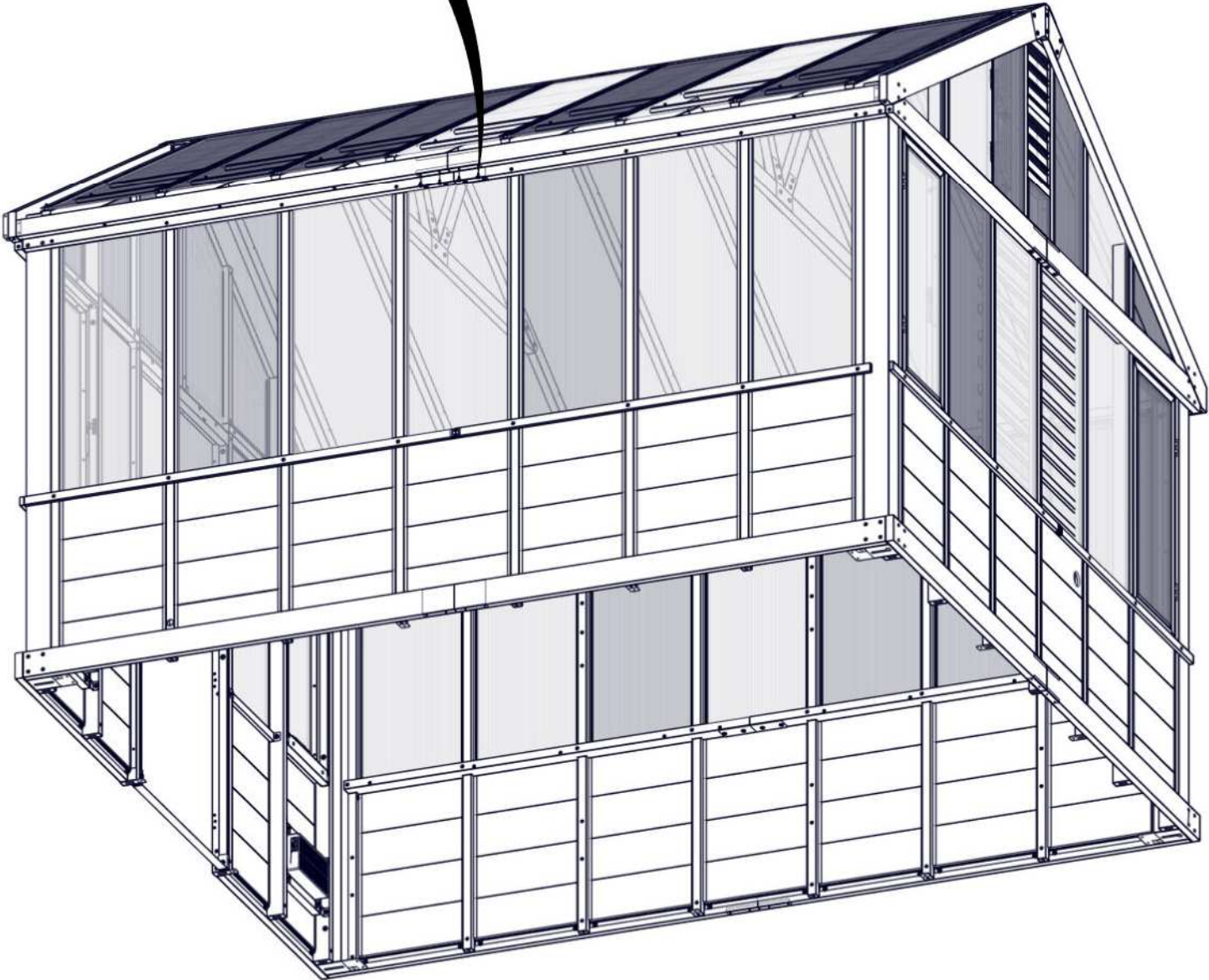
- REMOVE PROTECTIVE FILM.
- SLIDE TRIM UNTIL ONE END IS POSITIONED UNDERNEATH RIDGE CAP AND OTHER END IS FLUSH WITH END.
- INSTALL SCREWS IN CENTER OF TRIM APPROXIMATELY 1 13/16" [46 mm] FROM EDGES AS SHOWN.
- IT IS RECOMMENDED THAT A 1/8" (3mm) DRILL BIT BE USED TO CREATE STARTER HOLES.
- WARNING: GLOVES ARE RECOMMENDED WHEN HANDLING STEEL ROOF PIECES.



# STEP 138A - ROOF ASSEMBLY



**REMOVE THE (4) 1202 BOLTS,  
KEEP HARDWARE TO BE  
USED IN NEXT STEP.**



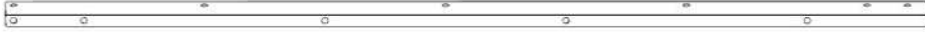
# STEP 138B - ROOF ASSEMBLY

**NOTE: USE HARDWARE FROM PREVIOUS STEP.**

QTY	PART NUMBER	DESCRIPTION
22	H101202	TORX PAN HEAD 1/4-20x3/4 ASSY

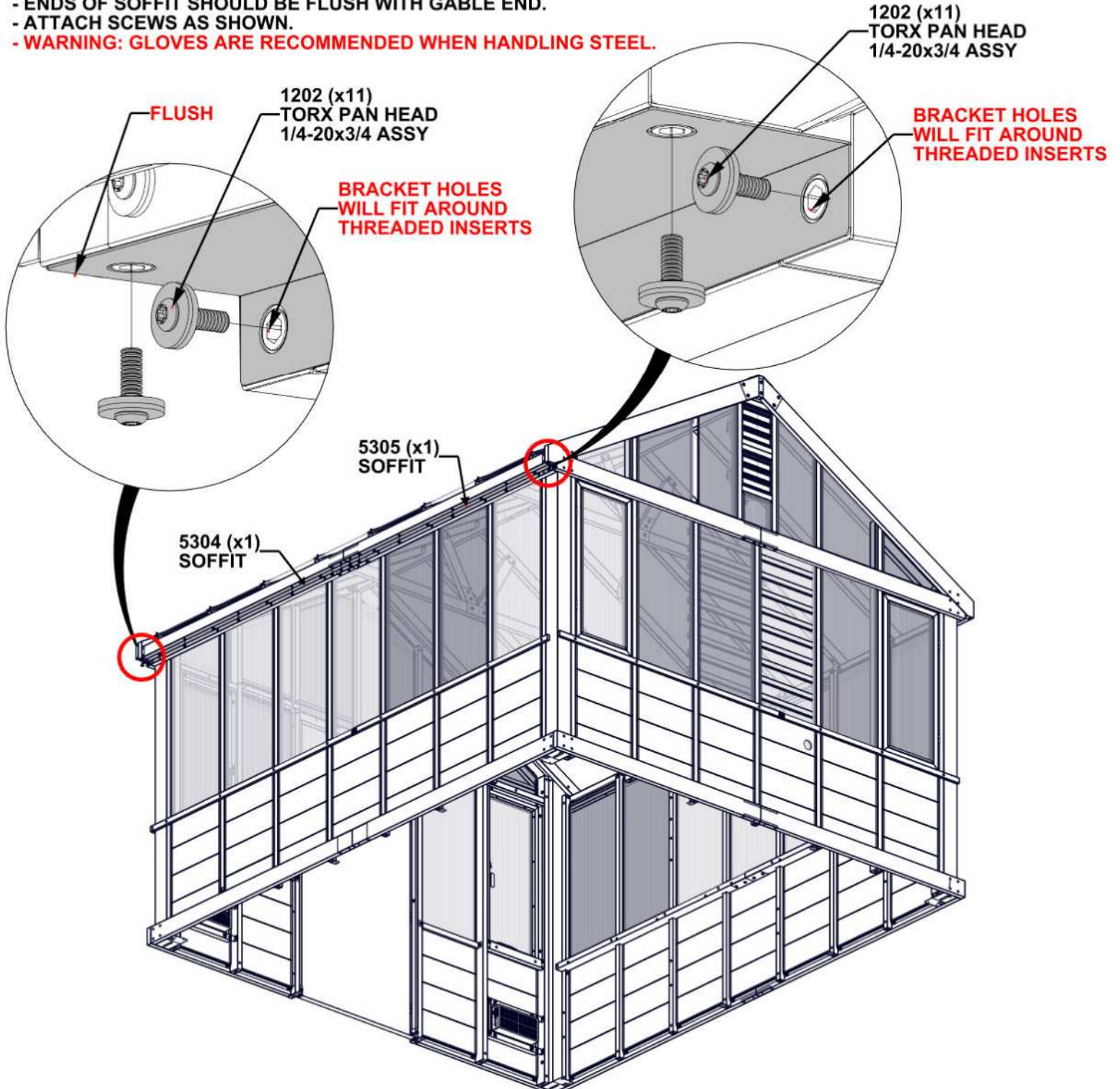


5304 SOFFIT - A4M05304  
(x1) 82 3/16"x2 7/8"x1 1/8" (28.8x73x2088)



5305 SOFFIT - A4M05305  
(x1) 82 3/16"x2 7/8"x1 1/8" (28.8x73x2088)

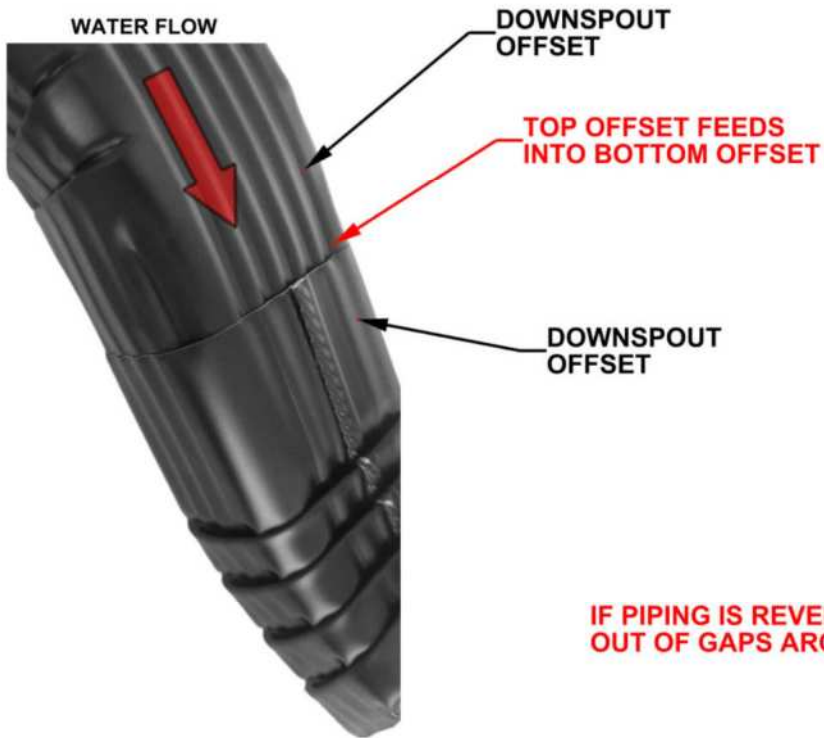
- REMOVE PROTECTIVE FILM.
- 90 DEGREE BEND ON SOFFIT SITS FLUSH AGAINST BEAM AS SHOWN.
- ENDS OF SOFFIT SHOULD BE FLUSH WITH GABLE END.
- ATTACH SCEWS AS SHOWN.
- **WARNING: GLOVES ARE RECOMMENDED WHEN HANDLING STEEL.**



**REPEAT ROOF ASSEMBLY STEPS 129 - 138B  
ON OPPOSITE SIDE OF ROOF**

# OFFSET ORIENTATION

TO ENSURE WATER FLOWS PROPERLY, IT IS IMPORTANT TO ORIENT DOWNSPOUT PIPING CORRECTLY. STARTING AT THE TOP, DOWNSPOUTS MUST FEED INTO THE NEXT SECTION AS SHOWN.

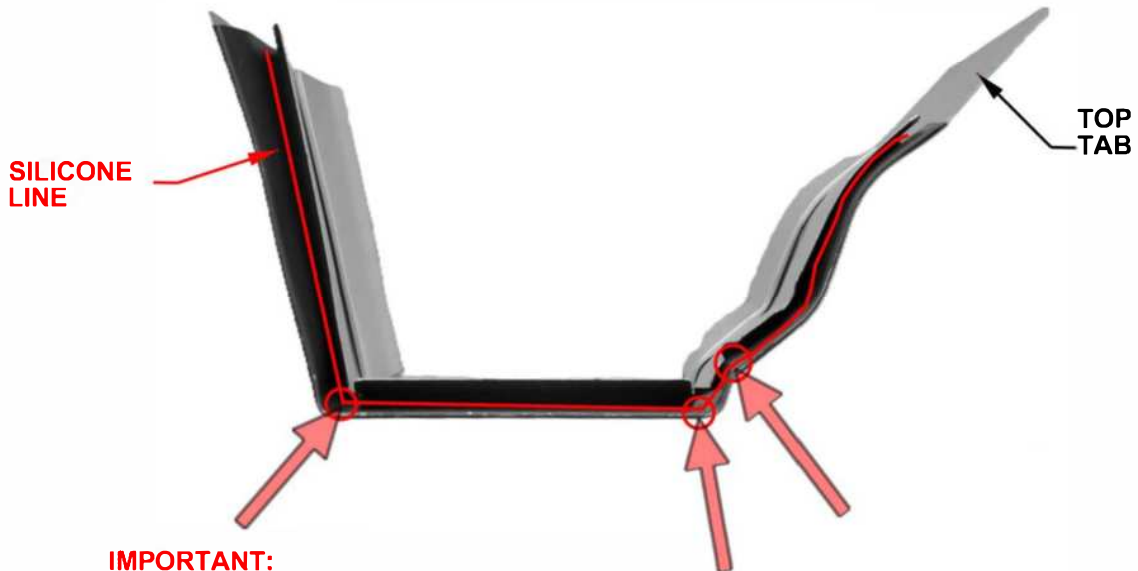


IF PIPING IS REVERSED, WATER WILL RUN OUT OF GAPS AROUND JOINTS

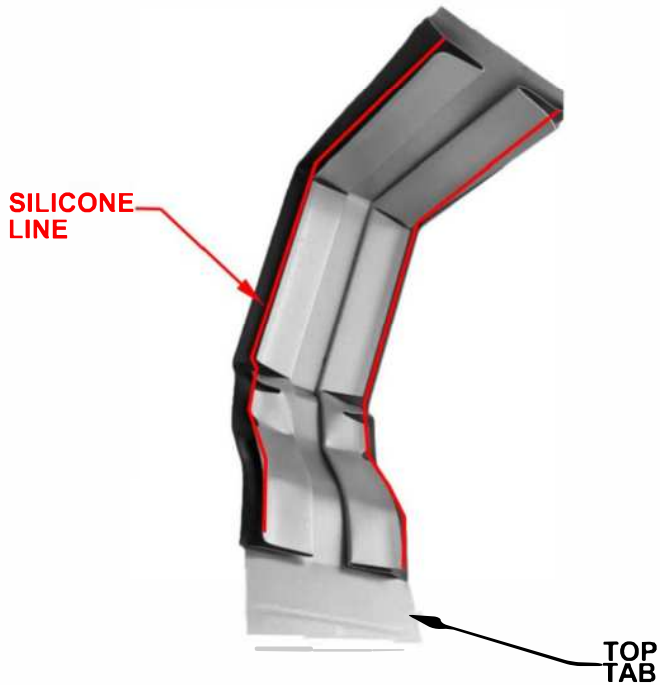


# GUTTER SPLICE PAGE

- NOTE:**
- APPLY SILICONE TO INSIDE CHANNEL ON BOTH SIDES.
  - ENSURE SILICONE IS EVENLY APPLIED ALONG THE CHANNEL.
  - AFTER GUTTER SPLICE HAS BEEN SLID ONTO GUTTERS AND SILICONE HAS HAD TIME TO CURE, USING HAND PRESSURE ONLY, FOLD THE TOP TAB OVER EDGE OF GUTTER



- IMPORTANT:**
- APPLY SILICONE LIBERALLY INTO CORNERS AS INDICATED ABOVE.



WAIT APPROXIMATELY 45 MINUTES FOR SILICONE TO BECOME TACKY.  
AFTER 24 HOURS, SILICONE HAS CURED AND CAN HOLD WATER

# STEP 139A - GUTTER ASSEMBLY



4761 DOWNSPOUT OUTLET - A4M04761  
(x2) 1 7/16"x2 7/8" (36x72x)

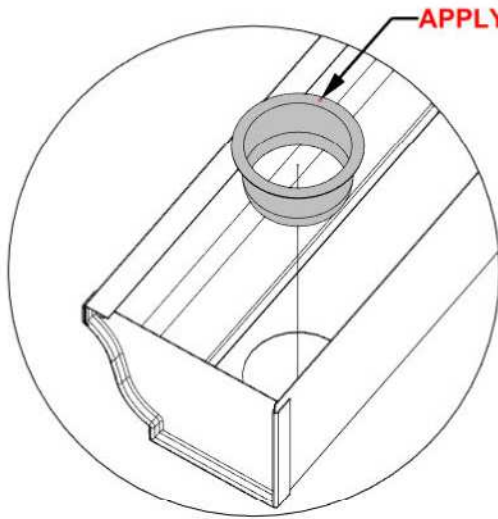


7110 GUTTER W/OUTLET - A4M07110  
(x1) 3 11/16"x5 1/8"x81 7/8" (93x130x2080)



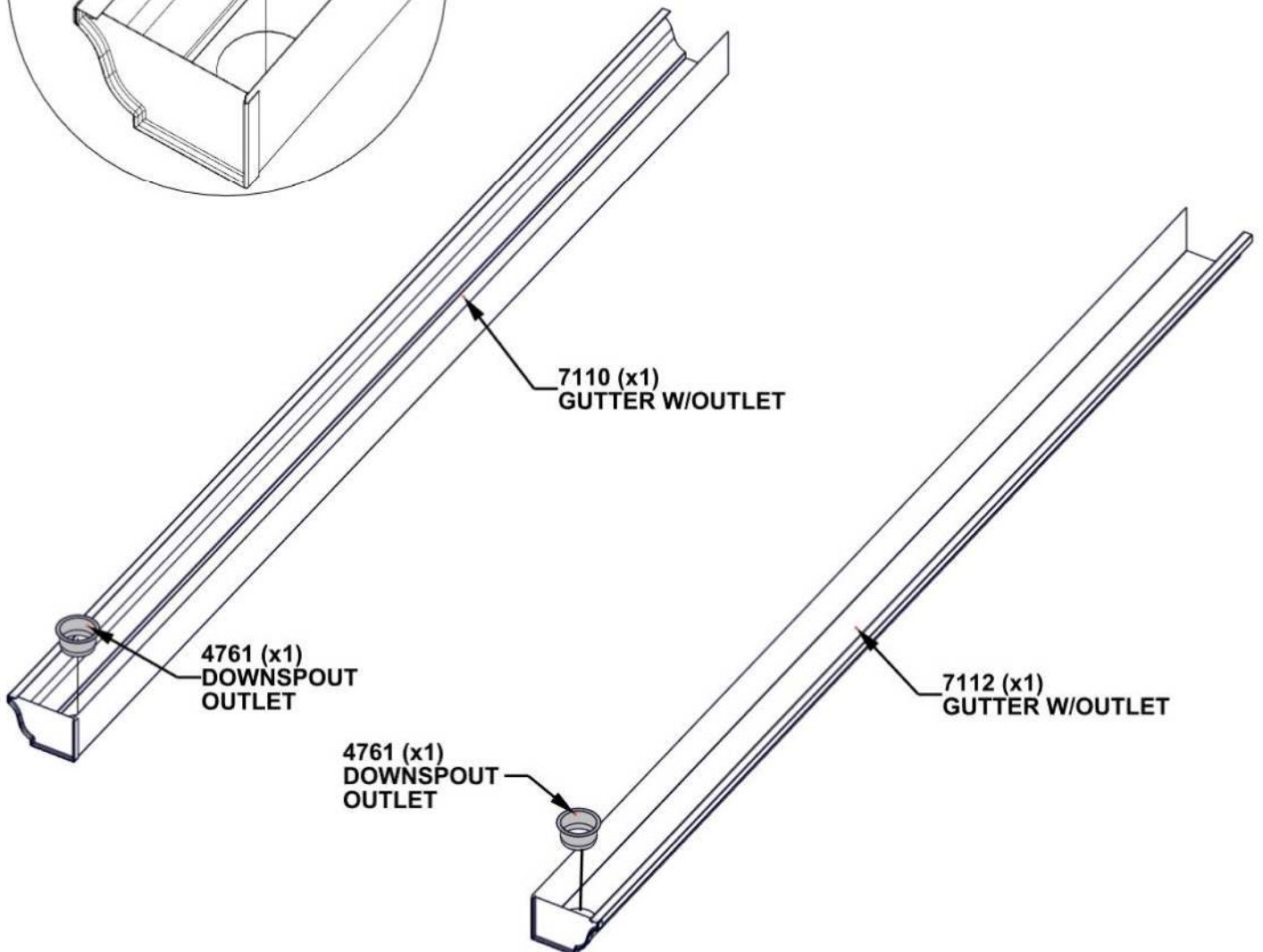
7112 GUTTER W/OUTLET - A4M07112  
(x1) 3 11/16"x5 1/8"x81 7/8" (93x130x2080)

- APPLY A BEAD OF SILICONE AROUND THE LIP OF THE DOWNSPOUT OUTLET AND PLACE OUTLET INSIDE GUTTER.



APPLY SILICONE

TIP: PRESSURE MAY NEED TO BE APPLIED TO GET OUTLET INTO POSITION. USE A WET FINGER TO FLATTEN SILICONE AFTER INSTALLED.

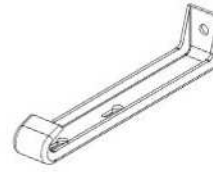


# STEP 139B - GUTTER ASSEMBLY

QTY	PART NUMBER	DESCRIPTION
3	H101480	SCREW SELF TAPPING #9x1 BLK

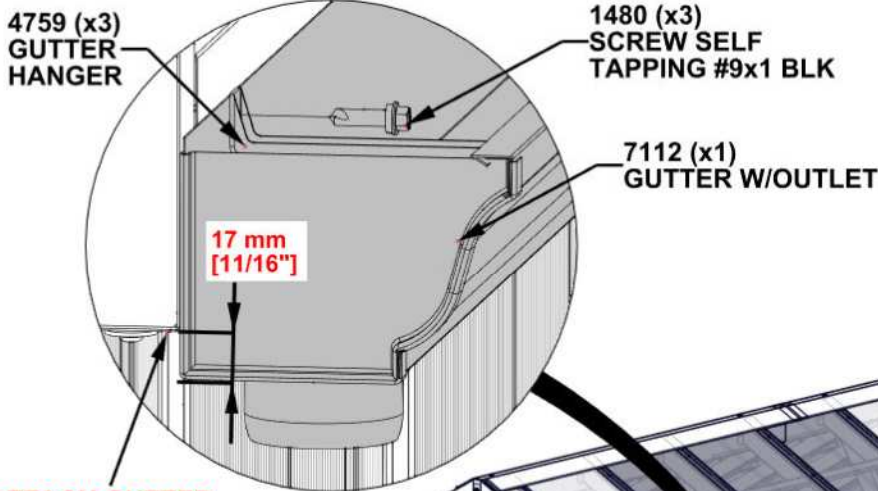
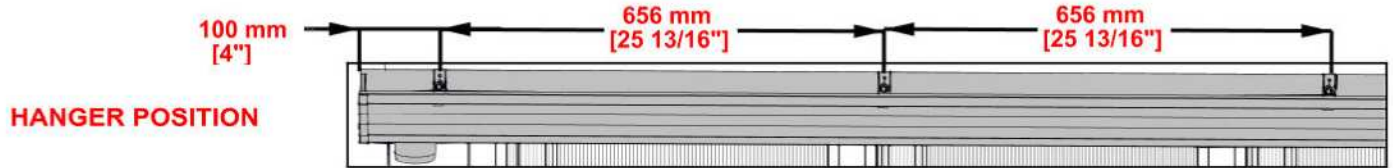


7112 GUTTER W/OUTLET - A4M07112  
(x1) 3 11/16"x5 1/8"x81 7/8" (93x130x2080)

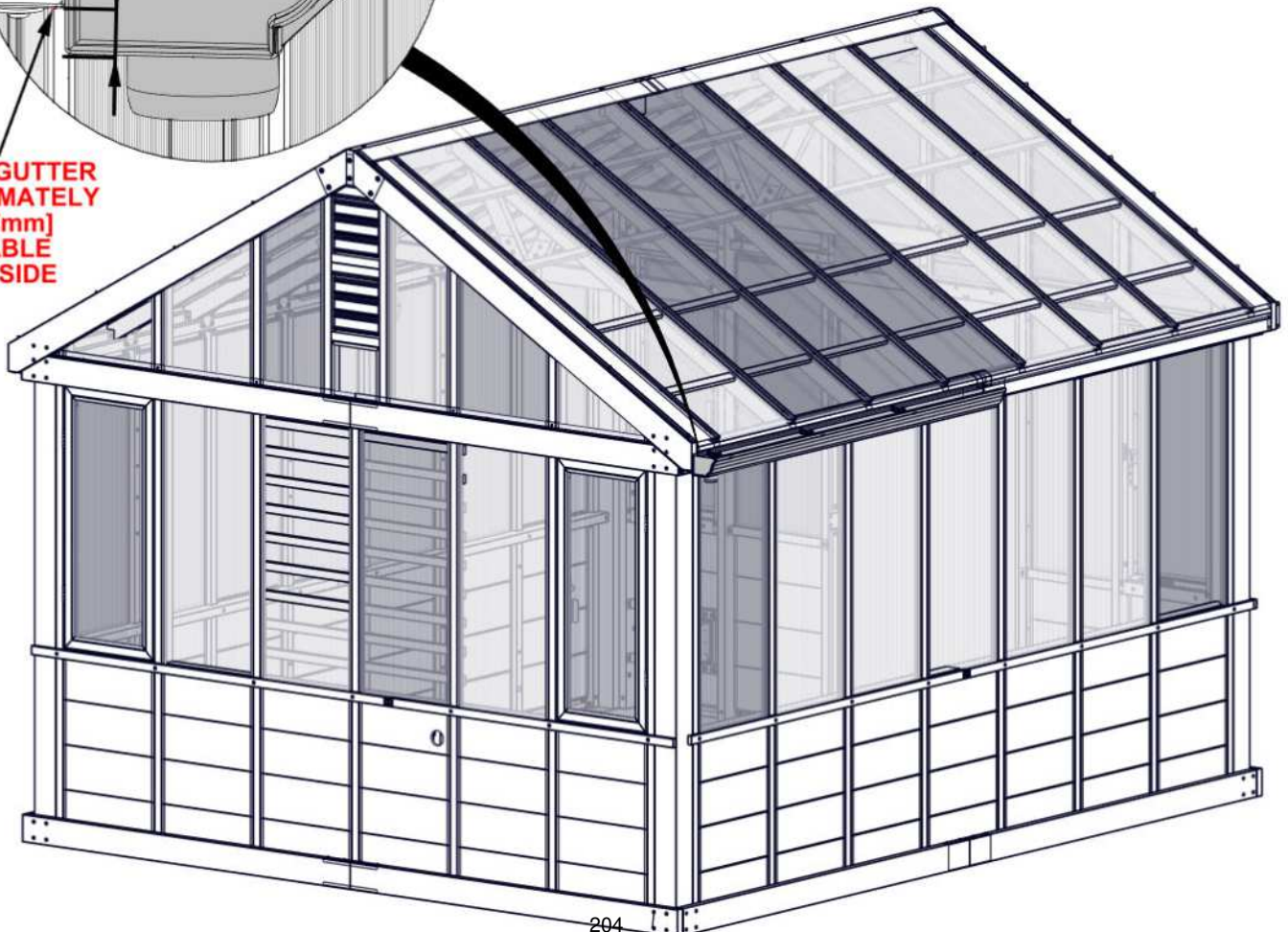


4759 GUTTER HANGER - A4M04759  
(x3) 3/4"x1"x4 15/16" (1.9x2.5x12.5)

- ATTACH GUTTER ASSEMBLY FROM STEP 39A APPROXIMATELY 11/16" [17mm] FROM GABLE BOTTOM SIDE.
- INSTALL THE FIRST HANGER APPROXIMATELY 4" [100mm] FROM GABLE EDGE.
- INSTALL THE OTHER HANGERS APPROXIMATELY 25 13/16" [656mm] FROM EACH OTHERS AS SHOW BELOW.
- USE A CLAMP TO HOLD GUTTER TO BEAM FOR ASSISTANCE



**ATTACH GUTTER APPROXIMATELY 11/16" [17mm] FROM GABLE BOTTOM SIDE**

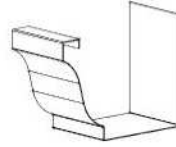


# STEP 139C - GUTTER ASSEMBLY

QTY	PART NUMBER	DESCRIPTION
4	H101480	SCREW SELF TAPPING #9x1 BLK



7113 GUTTER - A4M07113  
(x1) 3 11/16"x5 1/8"x81 7/8" (93x130x2080)

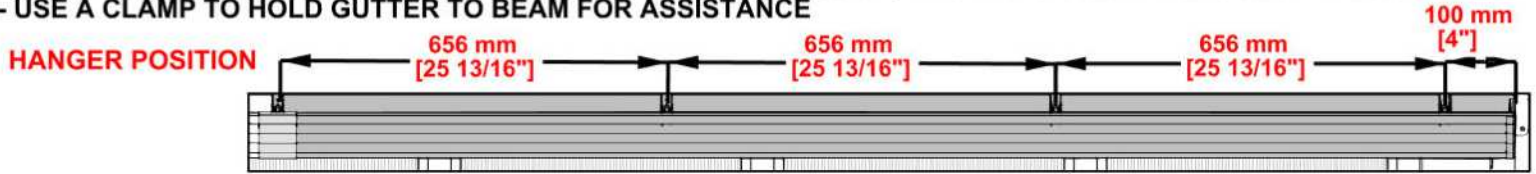


4765 GUTTER SPLICE - A4M04765  
(x1) 2 1/2"x3 11/16"x5 1/16" (6.3x9.4x12.9)



4759 GUTTER HANGER - A4M04759  
(x4) 3/4"x1"x4 15/16" (1.9x2.5x12.5)

- INSERT GUTTER SPLICE ONTO GUTTER (7112), INSERT GUTTER (7113) INTO GUTTER SPLICE.
- INSTALL THE FIRST HANGER APPROXIMATELY 4" [100mm] FROM GABLE EDGE.
- INSTALL THE OTHER HANGERS APPROXIMATELY 25 13/16" [656mm] FROM EACH OTHERS AS SHOW BELOW.
- USE A CLAMP TO HOLD GUTTER TO BEAM FOR ASSISTANCE



7112 GUTTER W/OUTLET

**APPLY SILICONE TO SPLICE GROOVE BEFORE INSERTING ONTO GUTTER**

**APPLY SILICONE TO SPLICE GROOVE BEFORE INSERTING GUTTER INTO SPLICE**

1480 (x4) SCREW SELF TAPPING #9x1 BLK

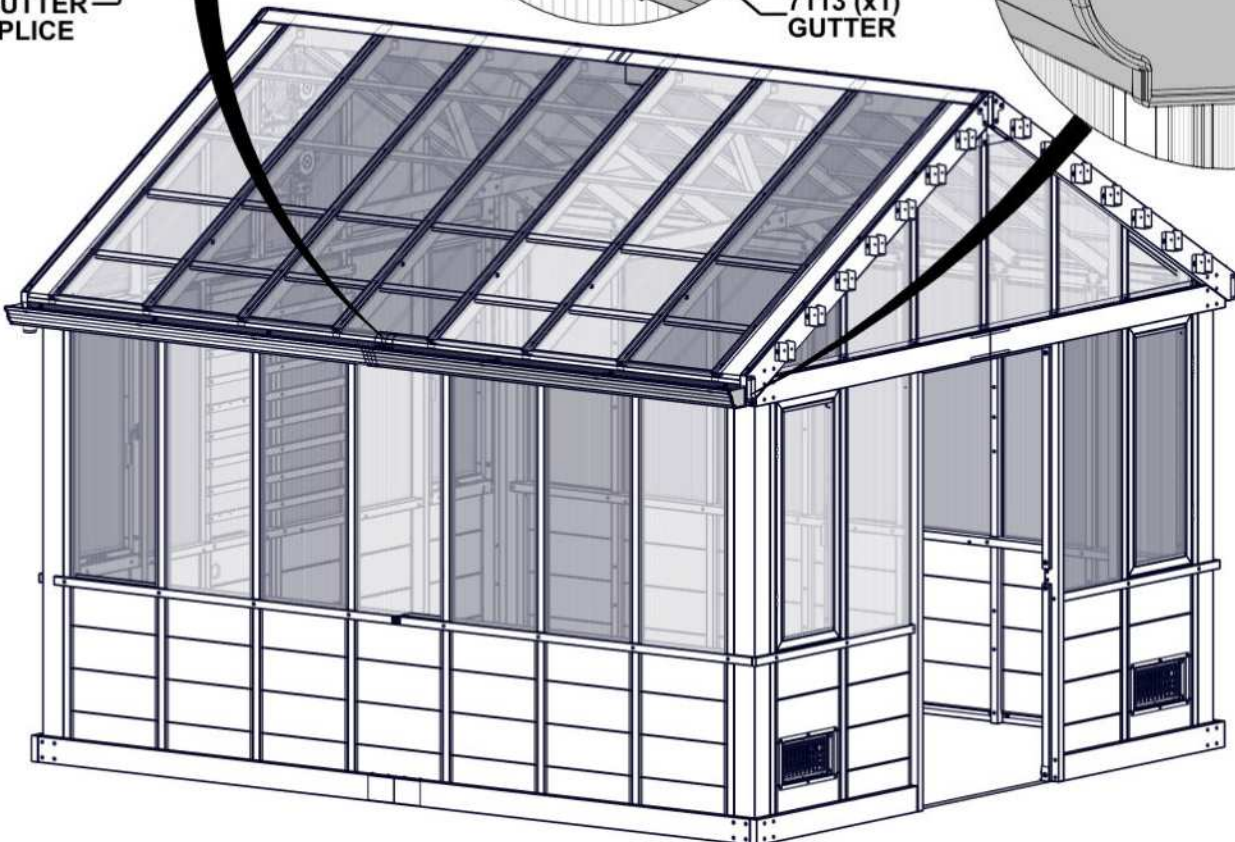
4759 (x4) GUTTER HANGER

4765 (x1) GUTTER SPLICE

7113 (x1) GUTTER

17 mm [11/16"]

**ATTACH GUTTER APPROXIMATELY 11/16" [17mm] FROM GABLE BOTTOM SIDE**



# STEP 139D - GUTTER ASSEMBLY

QTY	PART NUMBER	DESCRIPTION
3	H101480	SCREW SELF TAPPING #9x1 BLK

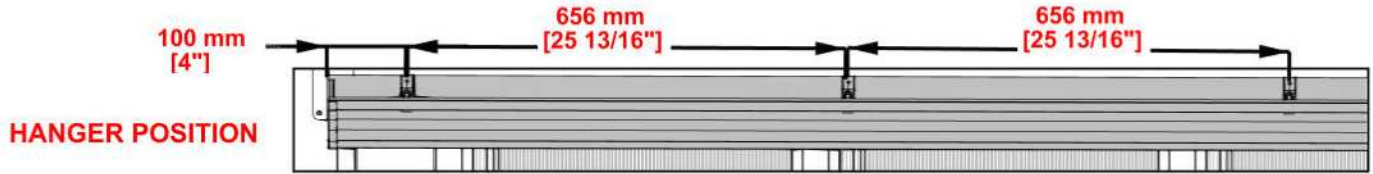


7111 GUTTER - A4M07111  
(x1) 3 11/16"x5 1/8"x81 7/8" (93x130x2080)

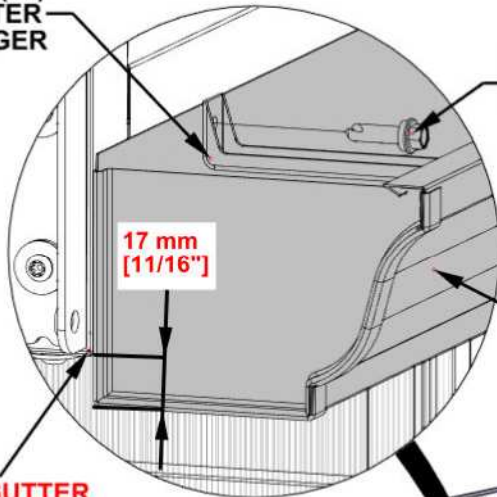


4759 GUTTER HANGER - A4M04759  
(x3) 3/4"x1"x4 15/16" (1.9x2.5x12.5)

- ATTACH GUTTER APPROXIMATELY 11/16" [17mm] FROM GABLE BOTTOM SIDE.
- INSTALL THE FIRST HANGER APPROXIMATELY 4" [100mm] FROM GABLE EDGE.
- INSTALL THE OTHER HANGERS APPROXIMATELY 25 13/16" [656mm] FROM EACH OTHERS AS SHOW BELOW.
- USE A CLAMP TO HOLD GUTTER TO BEAM FOR ASSISTANCE



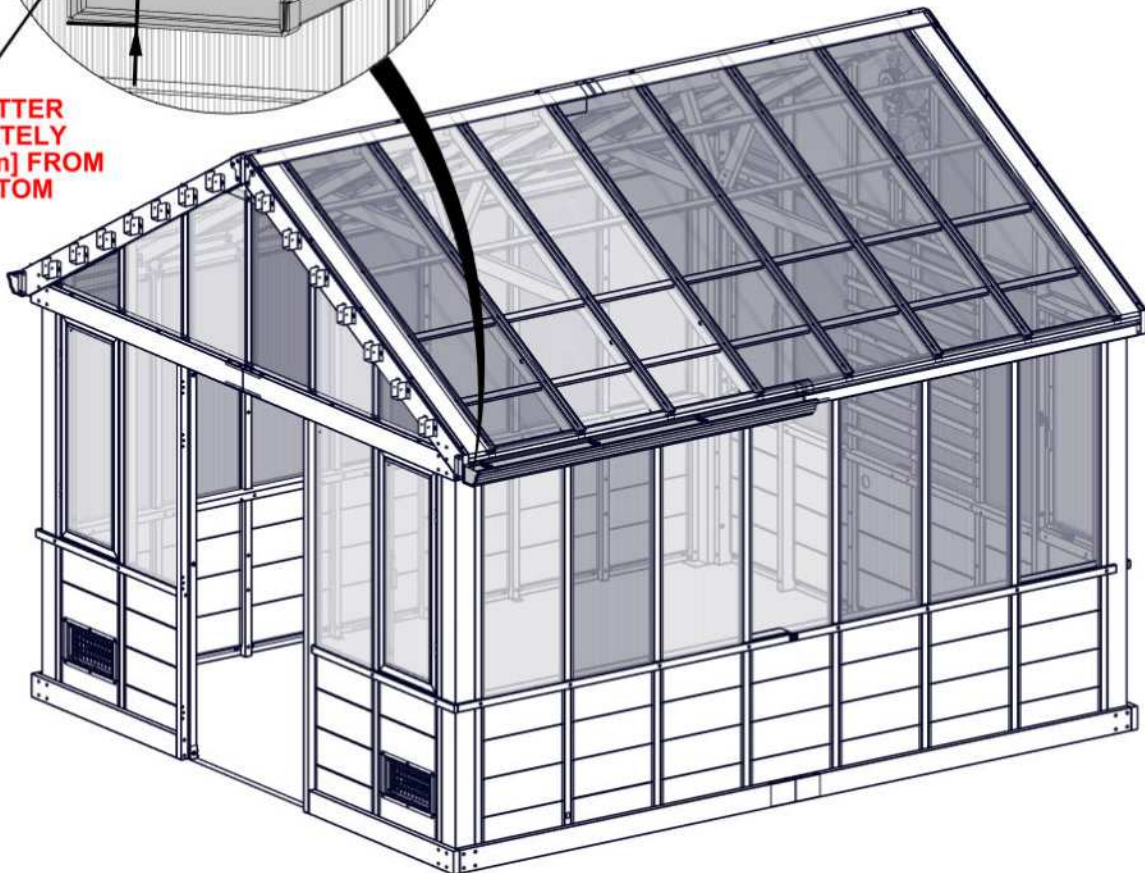
4759 (x3)  
GUTTER  
HANGER



1480 (x3)  
SCREW SELF  
TAPPING #9x1 BLK

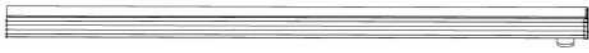
7111 (x1)  
GUTTER

**ATTACH GUTTER  
APPROXIMATELY  
11/16" [17mm] FROM  
GABLE BOTTOM  
SIDE**

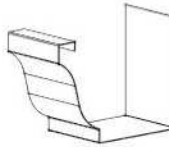


# STEP 139E - GUTTER ASSEMBLY

QTY	PART NUMBER	DESCRIPTION
4	H101480	SCREW SELF TAPPING #9x1 BLK



7110 GUTTER W/OUTLET - A4M07110  
(x1) 3 11/16"x5 1/8"x81 7/8" (93x130x2080)



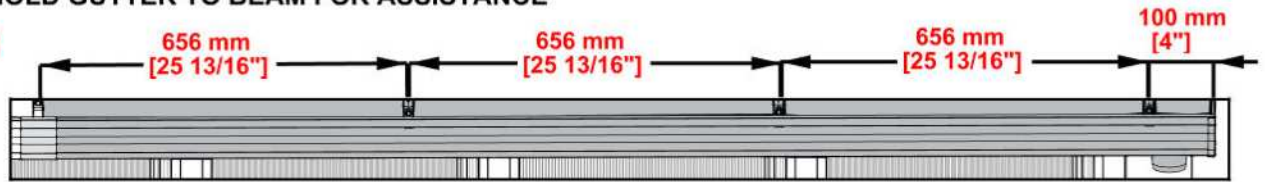
4765 GUTTER SPLICE - A4M04765  
(x1) 2 1/2"x3 11/16"x5 1/16" (6.3x9.4x12.9)



4759 GUTTER HANGER - A4M04759  
(x4) 3/4"x1"x4 15/16" (1.9x2.5x12.5)

- INSERT GUTTER SPLICE ONTO GUTTER (7111), INSERT GUTTER ASSEMBLY FROM STEP 139A INTO GUTTER SPLICE.
- INSTALL THE FIRST HANGER APPROXIMATELY 4" [100mm] FROM GABLE EDGE.
- INSTALL THE OTHER HANGERS APPROXIMATELY 25 13/16" [656mm] FROM EACH OTHERS AS SHOW BELOW.
- USE A CLAMP TO HOLD GUTTER TO BEAM FOR ASSISTANCE

## HANGER POSITION



7111 GUTTER

APPLY SILICONE TO SPLICE GROOVE BEFORE INSERTING ONTO GUTTER

APPLY SILICONE TO SPLICE GROOVE BEFORE INSERTING GUTTER INTO SPLICE

4759 (x4) GUTTER HANGER

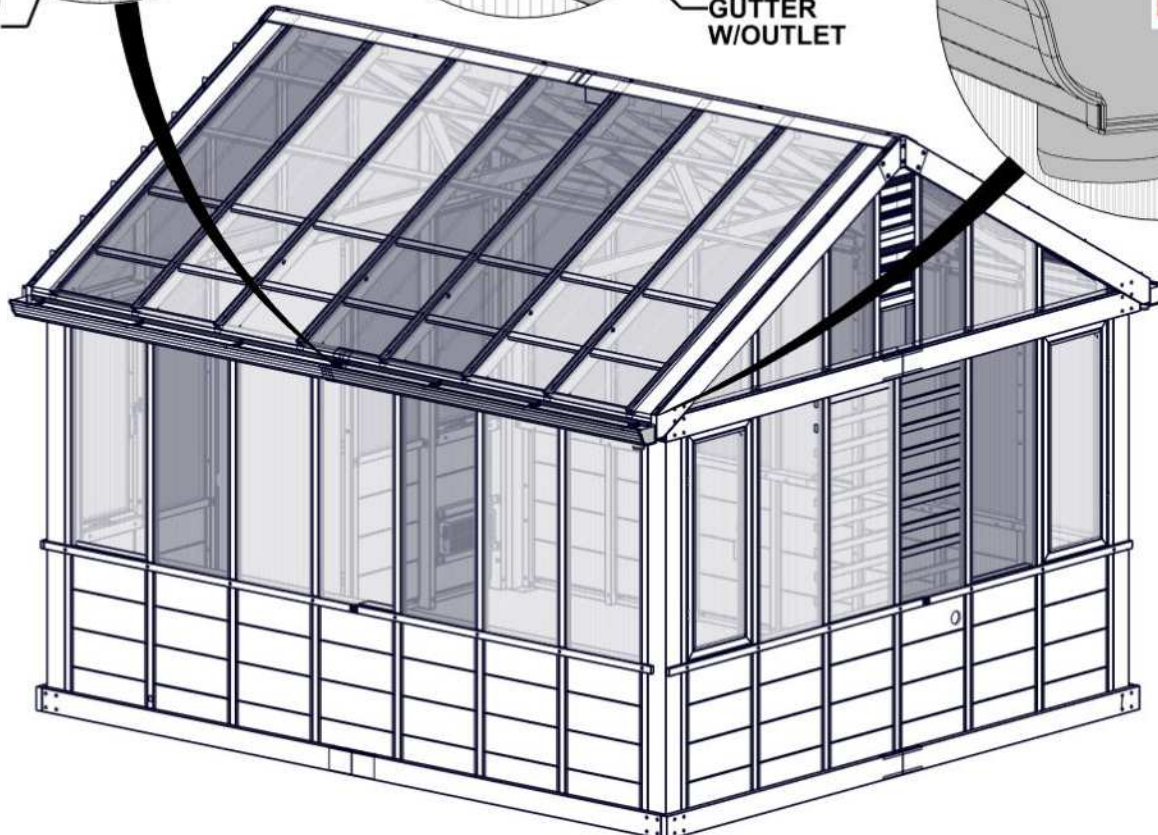
1480 (x4) SCREW SELF TAPPING #9x1 BLK

4765 (x1) GUTTER SPLICE

7110 (x1) GUTTER W/OUTLET

17 mm [11/16"]

ATTACH GUTTER APPROXIMATELY 11/16" [17mm] FROM GABLE BOTTOM SIDE



# STEP 140 - GUTTER ASSEMBLY

QTY	PART NUMBER	DESCRIPTION
16	H101116	SCREW SELF TAPPING 1/4x1 BLK

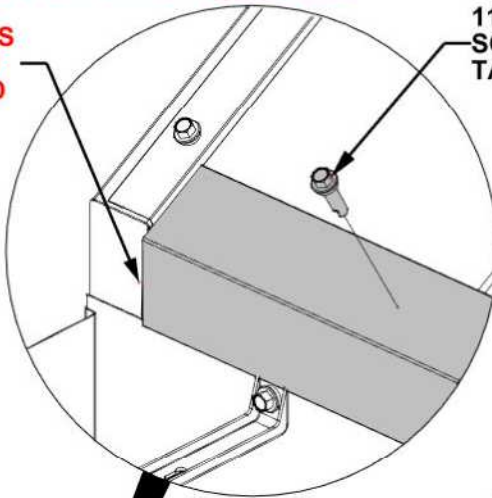


7114 EDGE TRIM - A4M07114  
(x4) 1 9/16"x2 5/8"x80 3/8" (40x68x2042)

7115 EDGE TRIM SPLICE - A4M07115  
(x2) 1 5/8"x3 15/16"x2 11/16" (41x100x69)

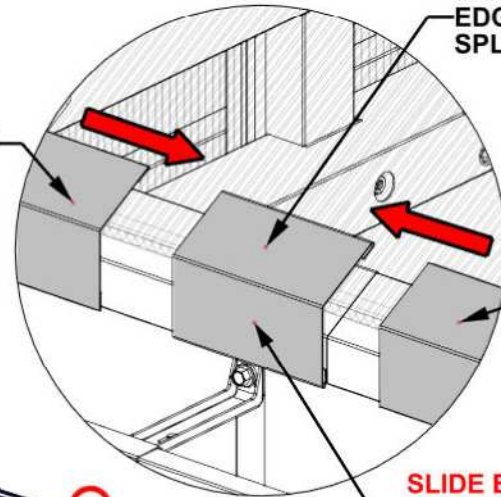
- REMOVE PROTECTIVE FILM.
- CENTER SCREWS ON SPLICE COVERS AND ATTACH SCREWS THROUGH EDGE TRIM AND SPLICE COVERS.
- **WARNING: GLOVES ARE RECOMMENDED WHEN HANDLING STEEL.**
- REPEAT THIS STEP ON OPPOSITE SIDE.

EDGE TRIM IS  
FLUSH WITH  
RAFTER END



1116 (x8)  
SCREW SELF  
TAPPING 1/4x1 BLK

7114 (x1)  
EDGE  
TRIM

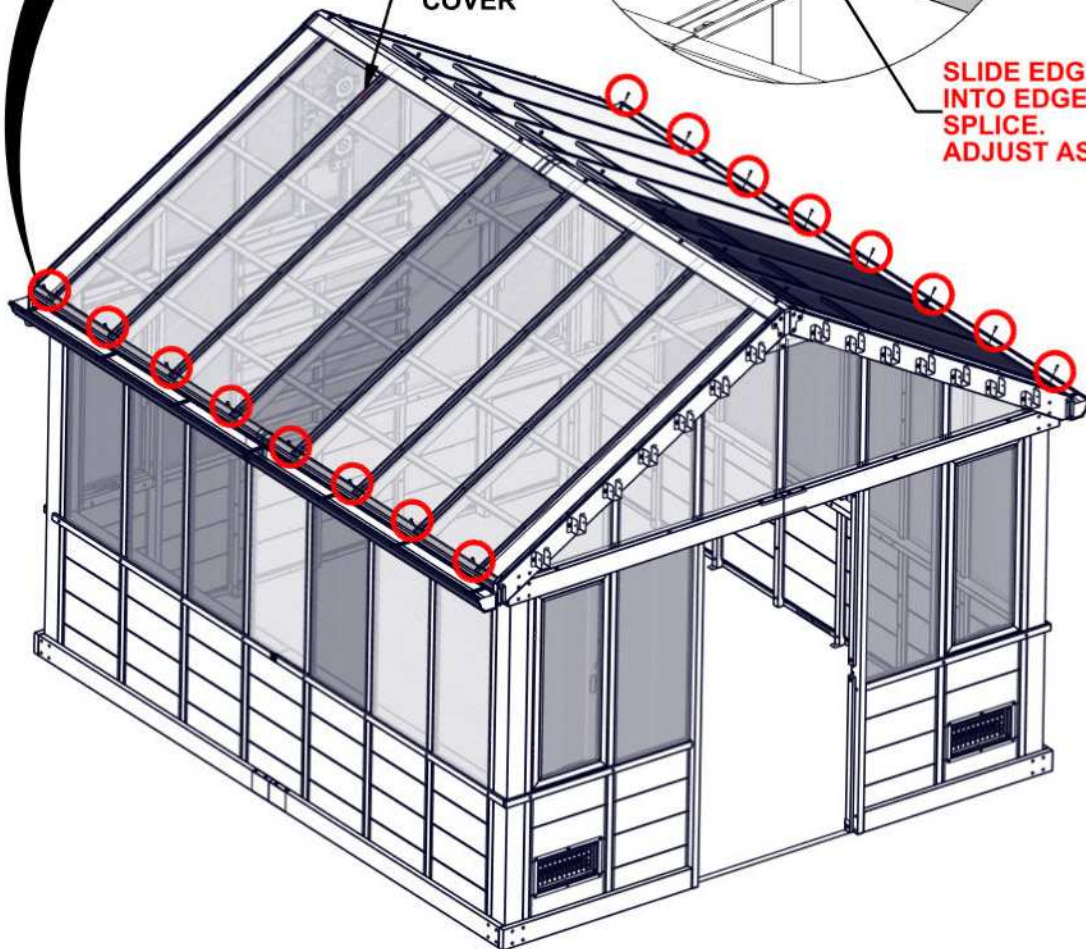


7115 (x1)  
EDGE TRIM  
SPLICE

7114 (x1)  
EDGE TRIM

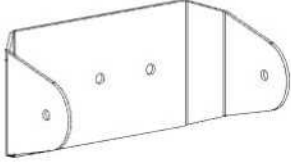
5295  
SPLICE  
COVER

SLIDE EDGE TRIM  
INTO EDGE TRIM  
SPLICE.  
ADJUST AS NEEDED



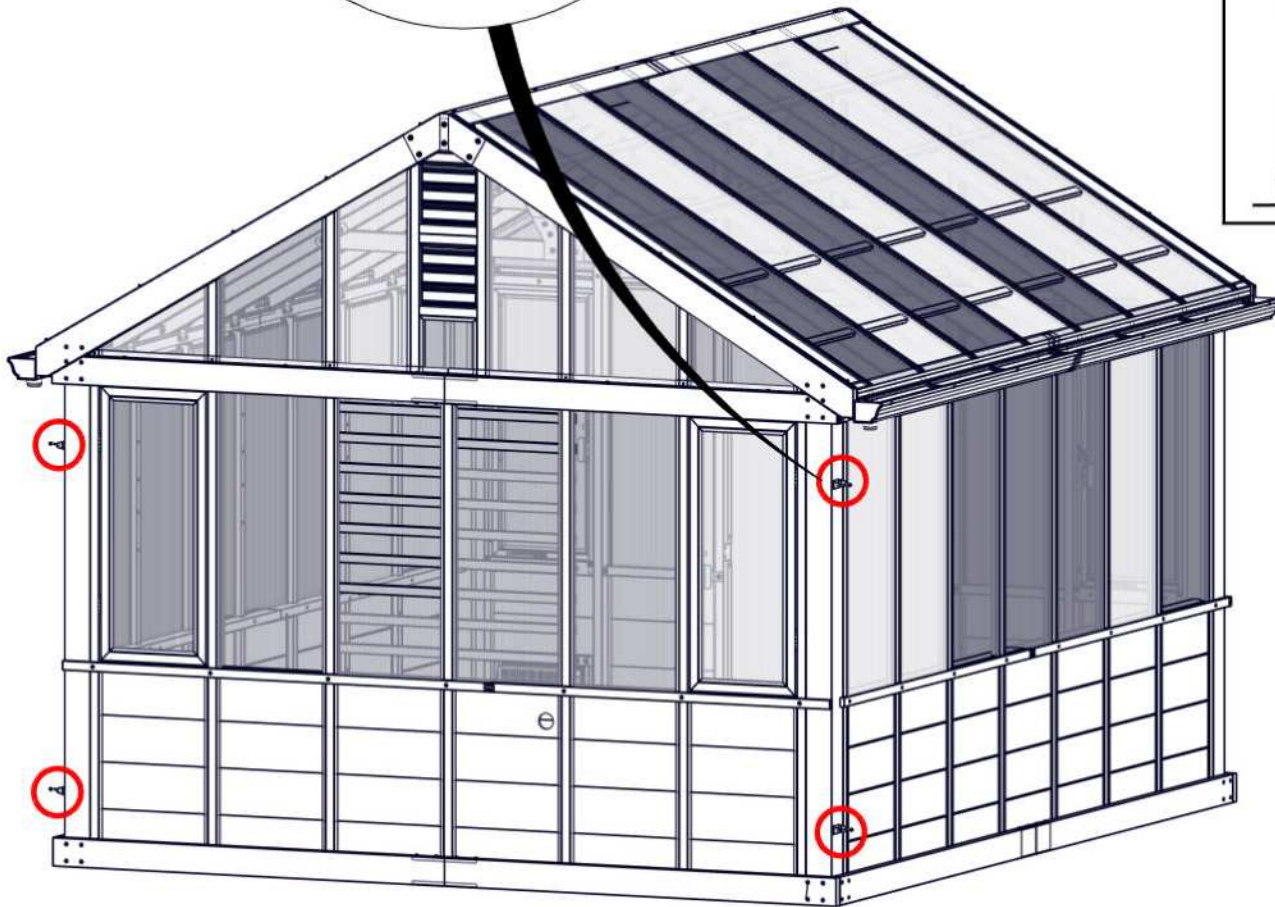
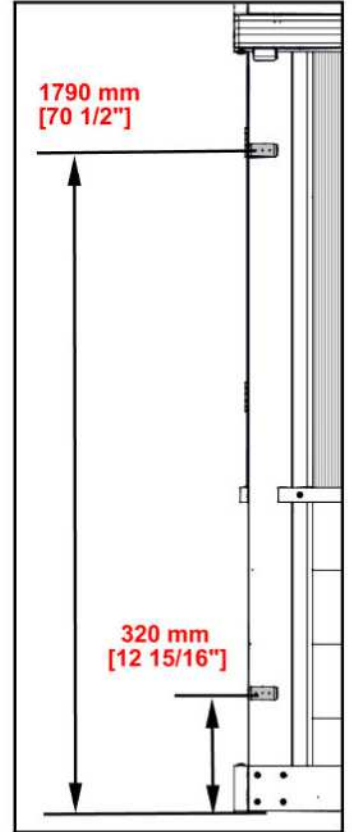
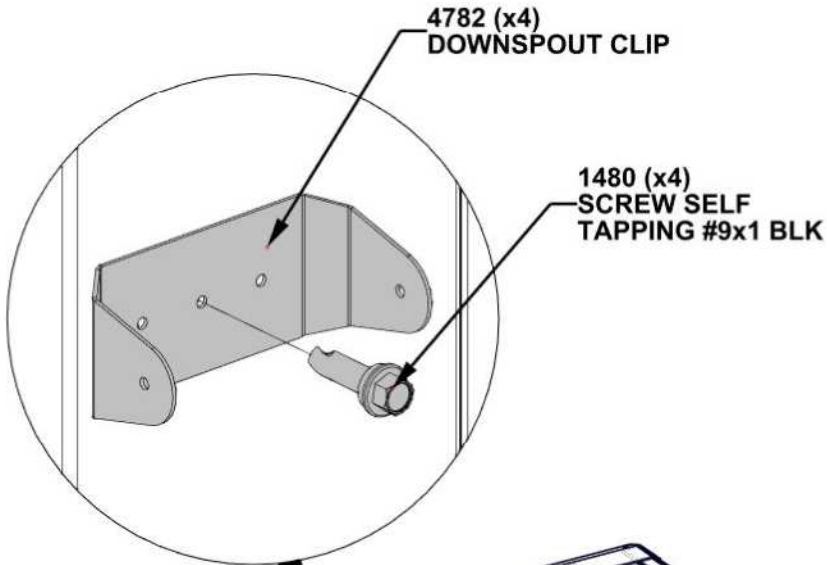
# STEP 141A - GUTTER ASSEMBLY

QTY	PART NUMBER	DESCRIPTION
4	H101480	SCREW SELF TAPPING #9x1 BLK



4782 DOWNSPOUT CLIP - A4M04782  
(x4) 1 7/16"x1 7/16"x3 1/8" (3.6x3.6x7.9)

- IT IS IMPORTANT TO CENTER 1480 SCREW ON CENTER OF POST.
- ATTACH A4M04782 CLIPS APPROXIMATELY 12-15/16" [320mm] AND 70-1/2" [1790mm] OFF THE GROUND.



# STEP 141B - GUTTER ASSEMBLY



4931 DOWNSPOUT ELBOW - A4M04931  
(x2) 3"x5 7/16"x7 11/16" (7.6x13.8x19.5)

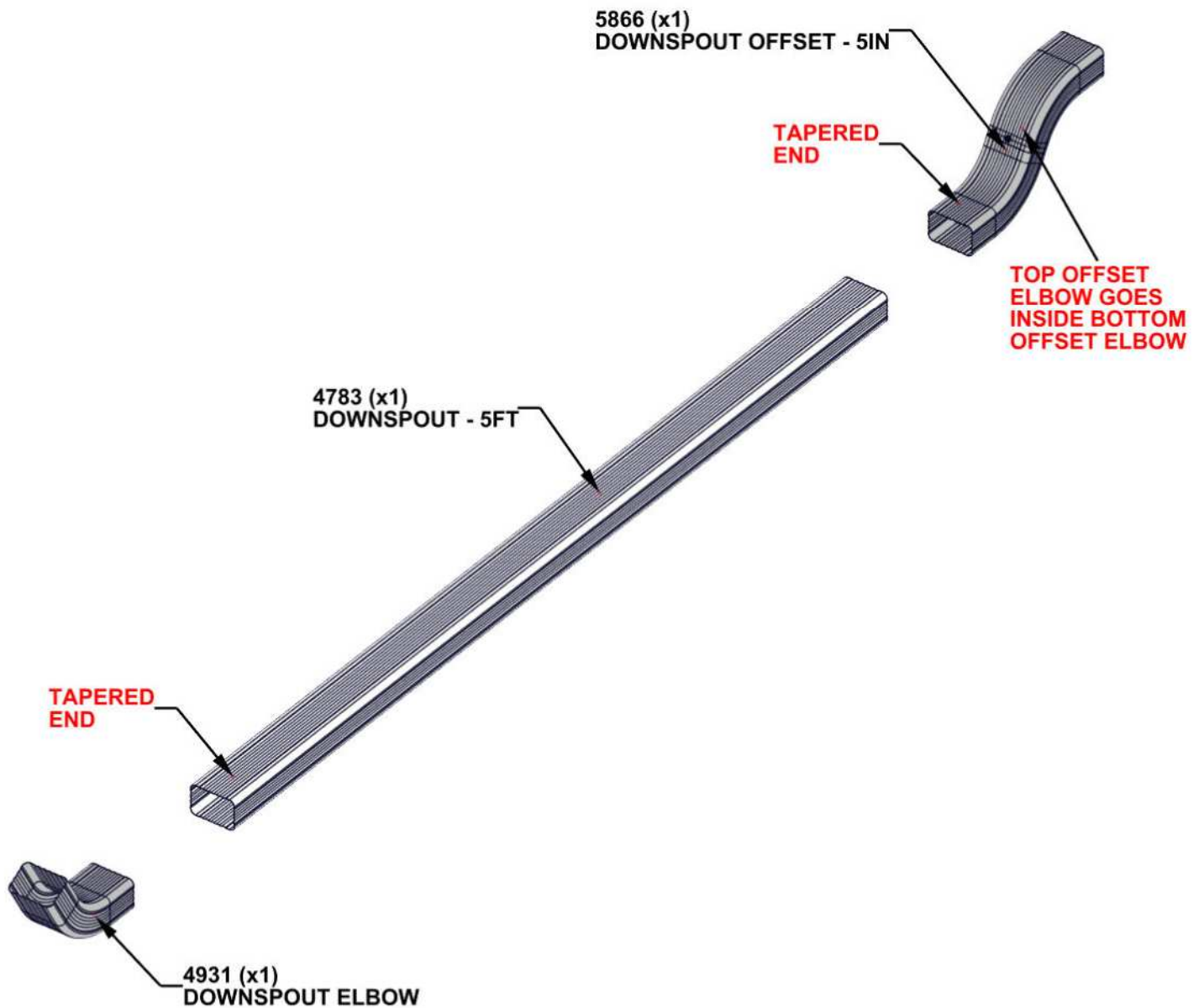


4783 DOWNSPOUT - 5FT - A4M04783  
(x2) 2"x3"x60" (51x76x1524)



5866 DOWNSPOUT OFFSET - 5IN - A4M05866  
(x2) 3"x7 3/16"x12 1/16" (7.6x18.2x30.7)

- INSERT TAPERED ENDS INTO LARGER ENDS.
- NOTE ORIENTATION OF DOWNSPOUT OFFSET. SEE DOWNSPOUT OFFSET PAGE FOR DETAIL
- COMPLETE THIS STEP 2 TIMES.



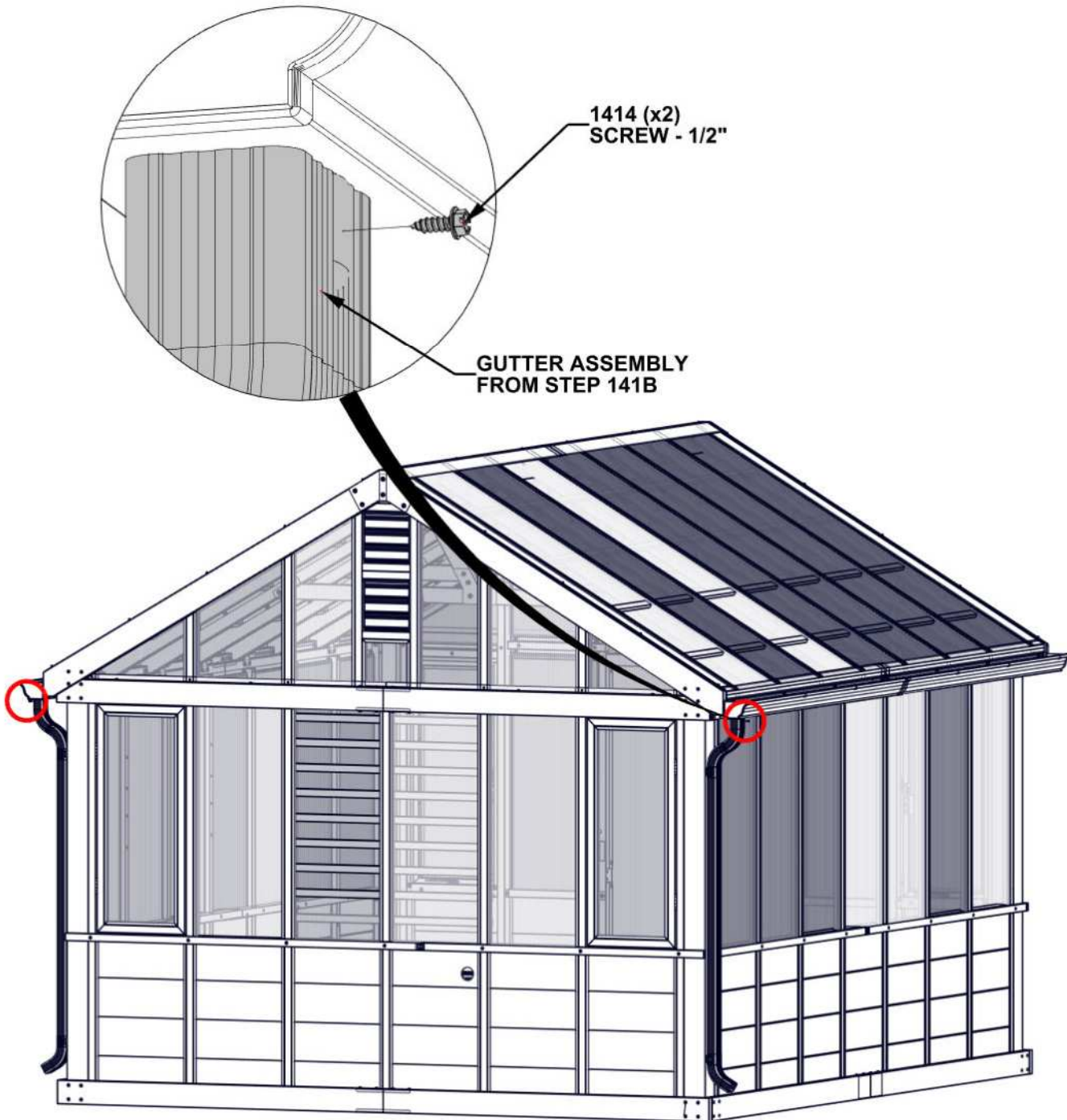
# STEP 141C - GUTTER ASSEMBLY

QTY	PART NUMBER	DESCRIPTION
2	H101414	SCREW SELF PIERCING #8x1/2 BLK



GUTTER ASSEMBLY FROM STEP 141B

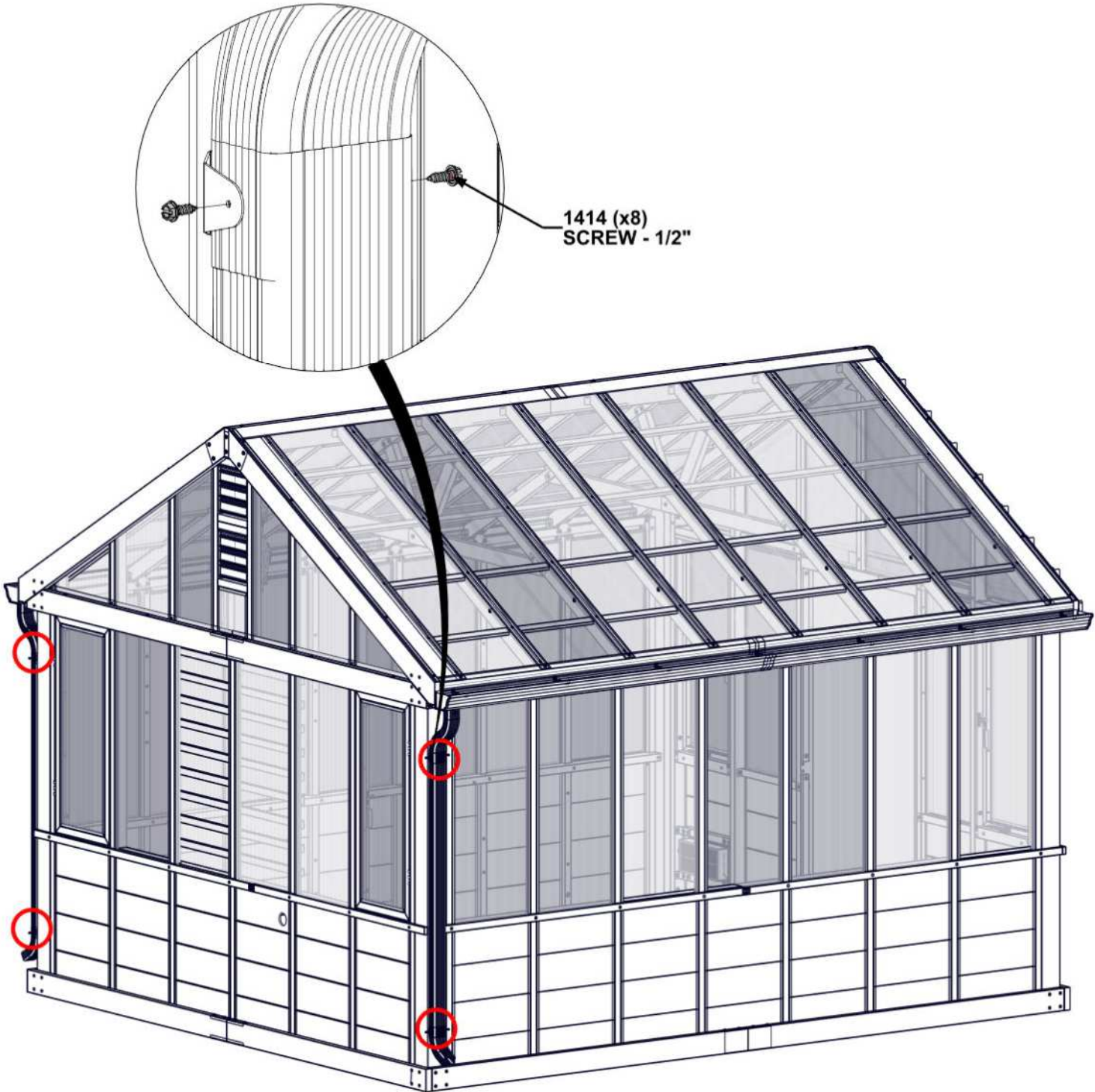
- FASTEN DOWNSPOUT TO DOWNSPOUT OUTLET USING HARDWARE PROVIDED.
- COMPLETE THIS STEP AT BOTH DOWNSPOUT OUTLETS.
- DOWNSPOUT WILL NOT REST ON THE GROUND, THERE WILL BE FLOATING SPACE.



# STEP 141D - GUTTER ASSEMBLY

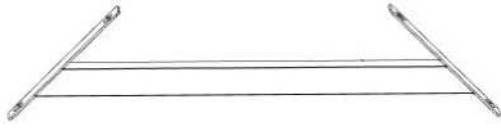
QTY	PART NUMBER	DESCRIPTION
8	H101414	SCREW SELF PIERCING #8x1/2 BLK

- FASTEN DOWNSPOUT CLIP TO DOWNSPOUT.
- COMPLETE THIS STEP ON BOTH DOWNSPOUTS.

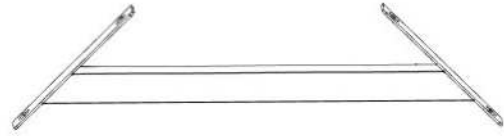


# STEP 142A - TABLE ASSEMBLY

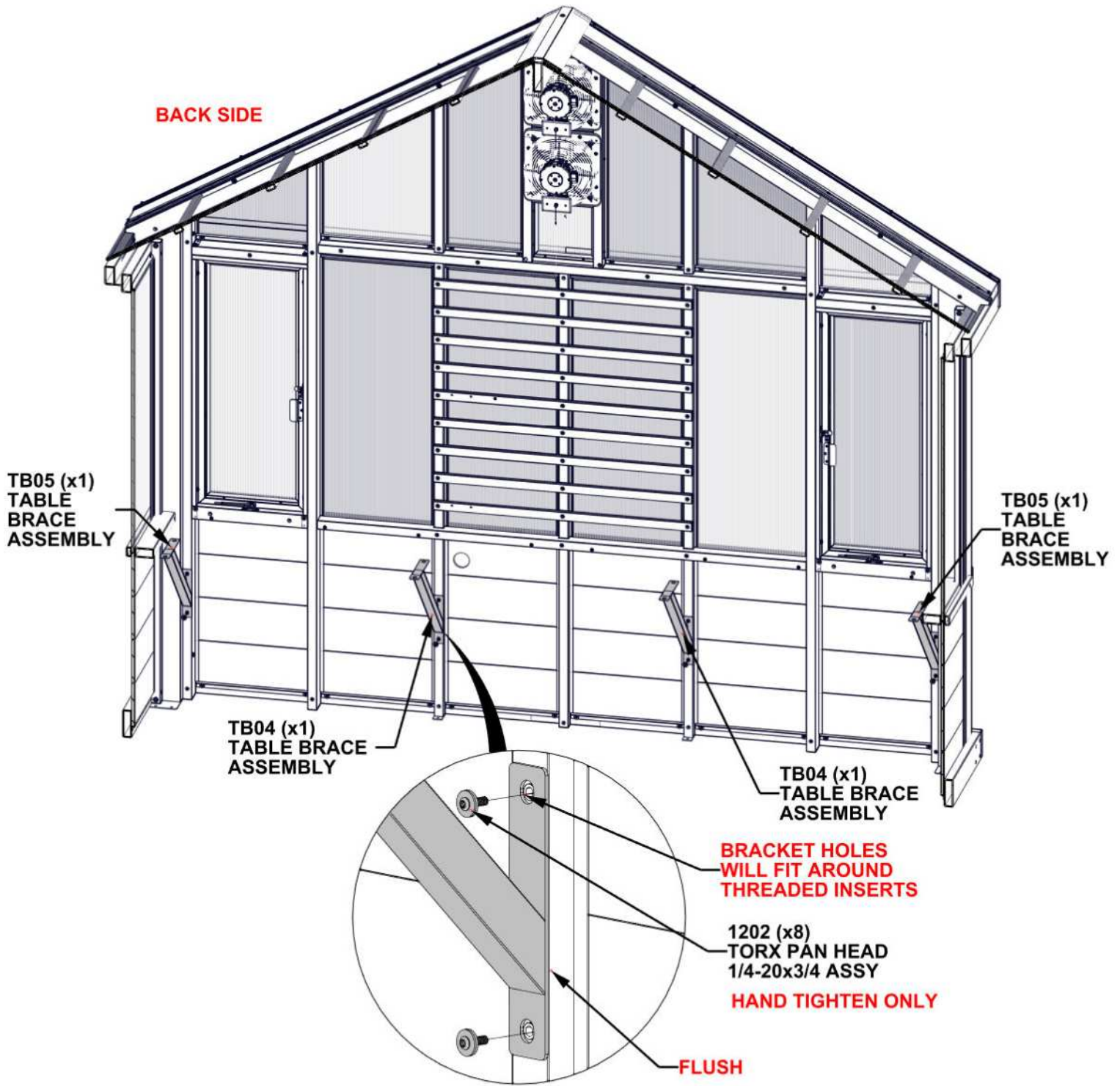
QTY	PART NUMBER	DESCRIPTION
8	H101202	TORX PAN HEAD 1/4-20x3/4 ASSY



**TB04 TABLE BRACE ASSEMBLY - A4M05036**  
 (x2) 19 7/16"x19 7/16"x1 9/16" (40x493.6x493.6)



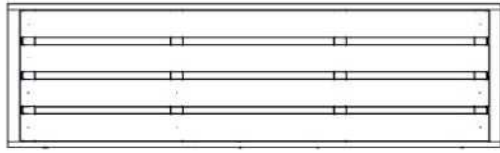
**TB05 TABLE BRACE ASSEMBLY - A4M05035**  
 (x2) 17 7/8"x17 7/8"x1 9/16" (40x453.6x453.6)



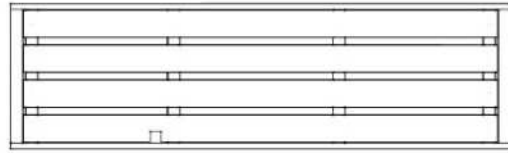
ONLY BACK SIDE OF GREENHOUSE SHOWN FOR DETAIL.

# STEP 142B - TABLE ASSEMBLY

QTY	PART NUMBER	DESCRIPTION
8	H101202	TORX PAN HEAD 1/4-20x3/4 ASSY
8	H101132	TORX SOCKET SCREW SHORT 1/4-20



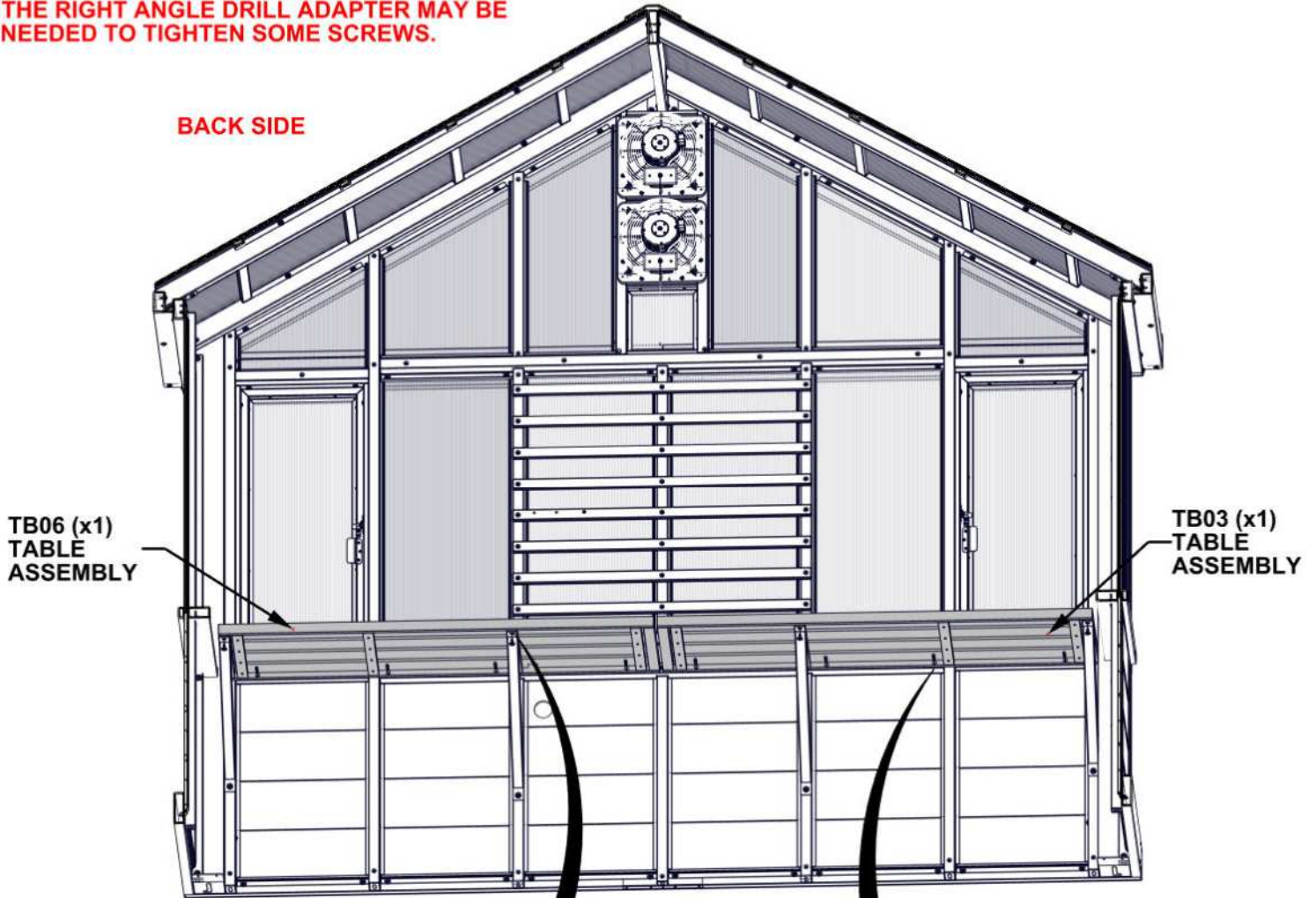
**TB03 TABLE ASSEMBLY - A4M05040**  
(x1) 65 1/16"x18 7/8"x1 9/16" (40x479x1652)



**TB06 TABLE ASSEMBLY - A4M05329**  
(x1) 65 1/16"x18 7/8"x1 9/16" (40x479x1652)

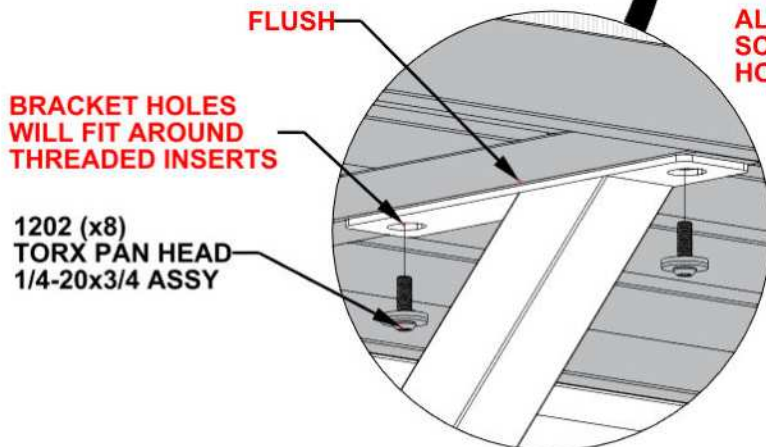
- TIGHTEN ALL HARDWARE.
- THE RIGHT ANGLE DRILL ADAPTER MAY BE NEEDED TO TIGHTEN SOME SCREWS.

**BACK SIDE**



TB06 (x1)  
TABLE  
ASSEMBLY

TB03 (x1)  
TABLE  
ASSEMBLY

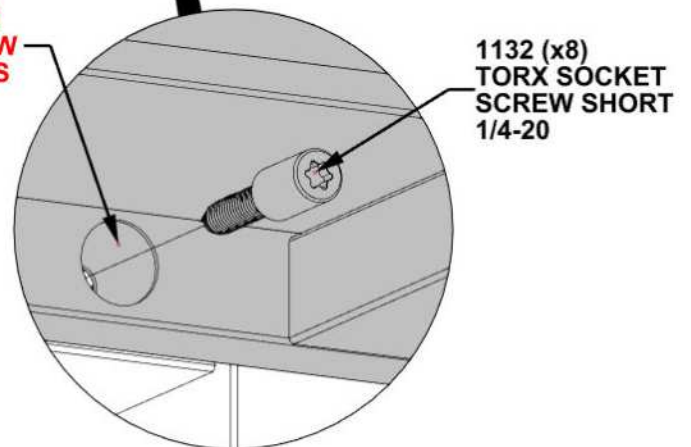


**FLUSH**

**BRACKET HOLES WILL FIT AROUND THREADED INSERTS**

1202 (x8)  
TORX PAN HEAD  
1/4-20x3/4 ASSY

**ALIGN  
SCREW  
HOLES**

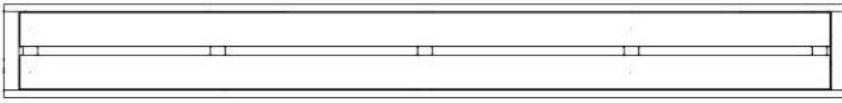


1132 (x8)  
TORX SOCKET  
SCREW SHORT  
1/4-20

ONLY BACK SIDE OF GREENHOUSE SHOWN FOR DETAIL.

# STEP 143A - TABLE ASSEMBLY

QTY	PART NUMBER	DESCRIPTION
12	H101202	TORX PAN HEAD 1/4-20x3/4 ASSY

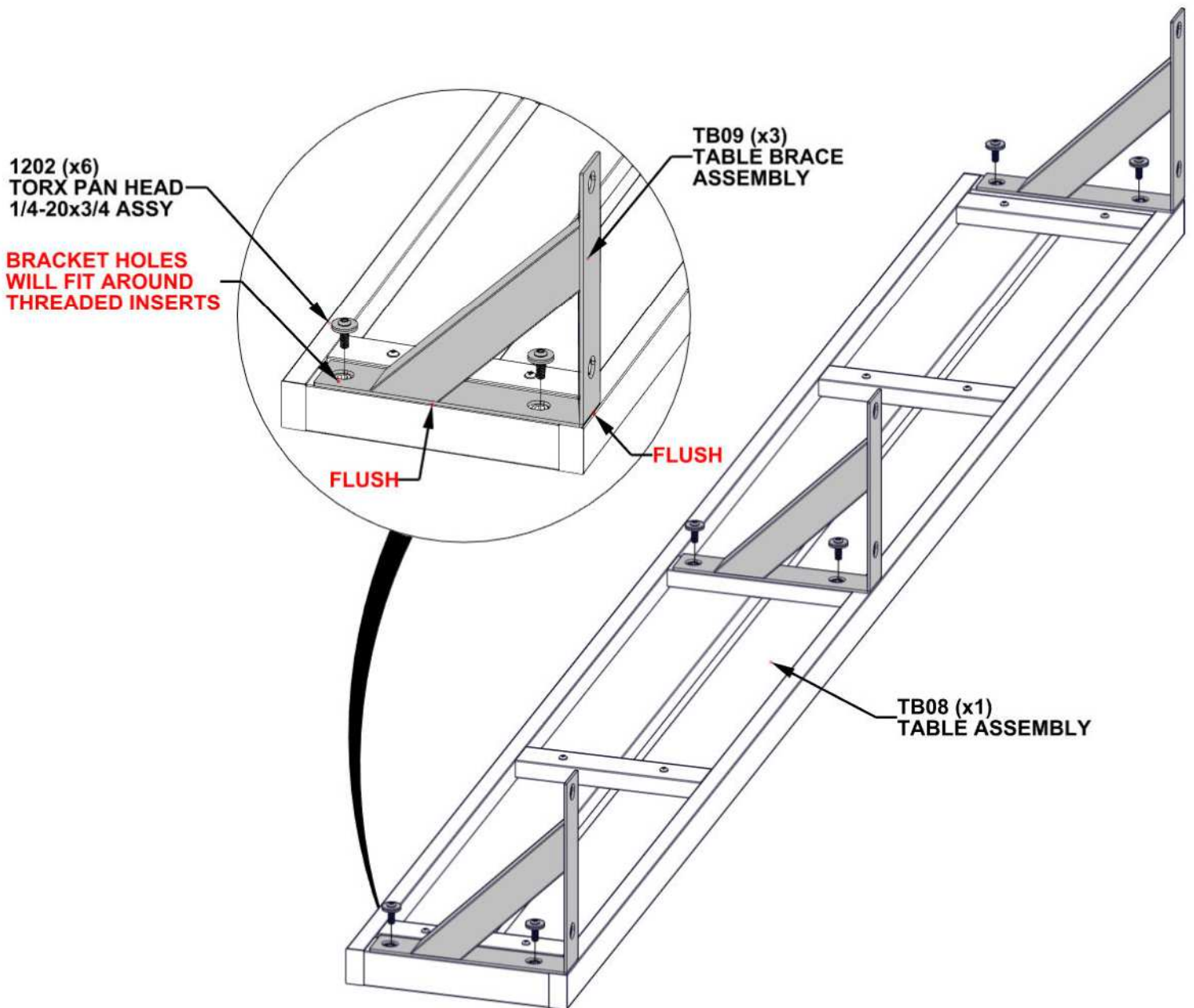


**TB08 TABLE ASSEMBLY - A4M05330**  
 (x2) 86 3/4"x9 11/16"x1 9/16" (40x246x2224)



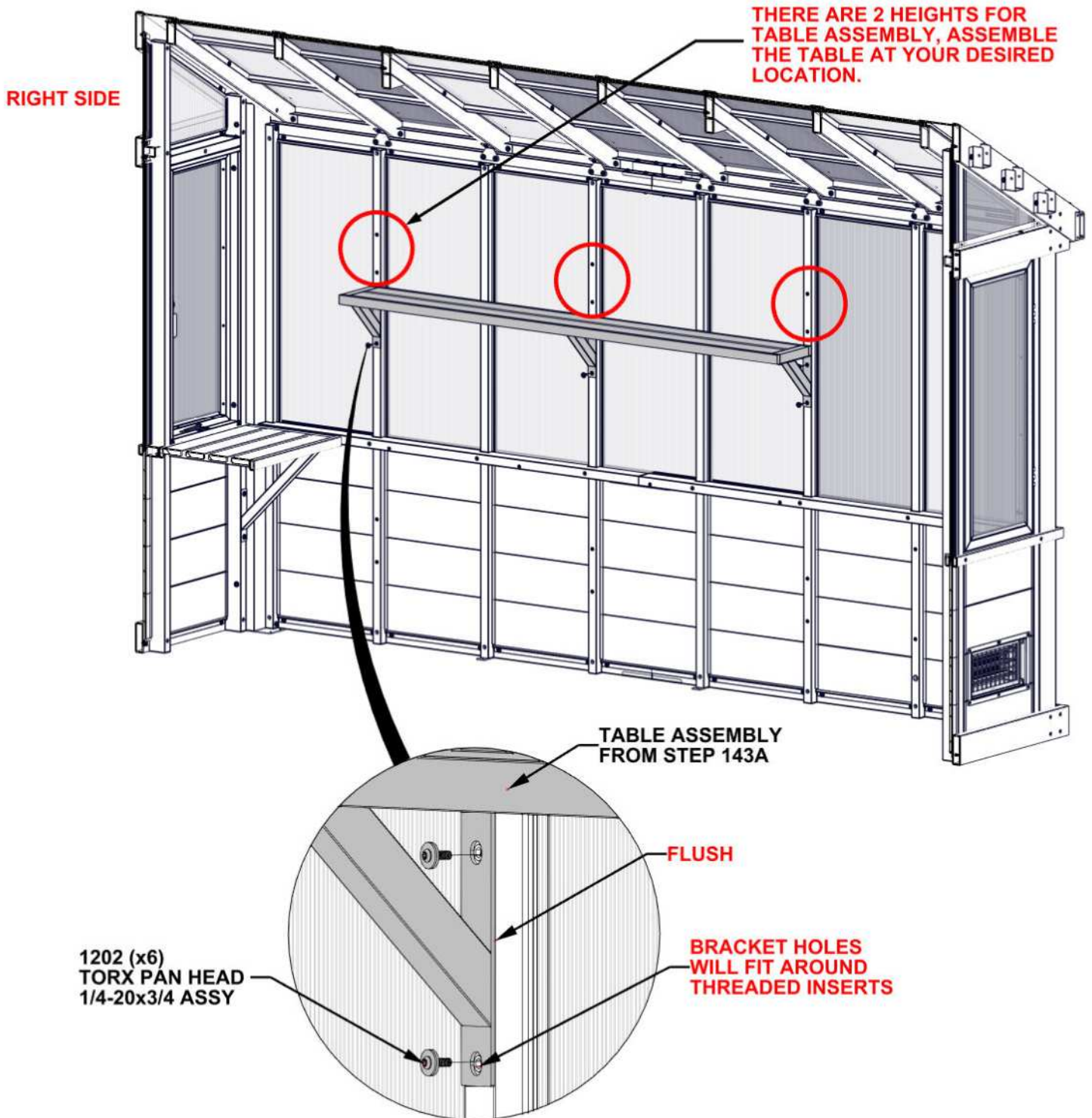
**TB09 TABLE BRACE ASSEMBLY - A4M05331**  
 (x6) 8 11/16"x8 11/16"x1 9/16" (40x220x220)

**- REPEAT THIS STEP 2 TIMES.**



# STEP 143B - TABLE ASSEMBLY

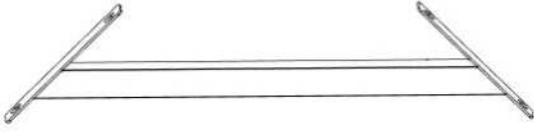
QTY	PART NUMBER	DESCRIPTION
6	H101202	TORX PAN HEAD 1/4-20x3/4 ASSY



ONLY RIGHT SIDE OF GREENHOUSE SHOWN FOR DETAIL.

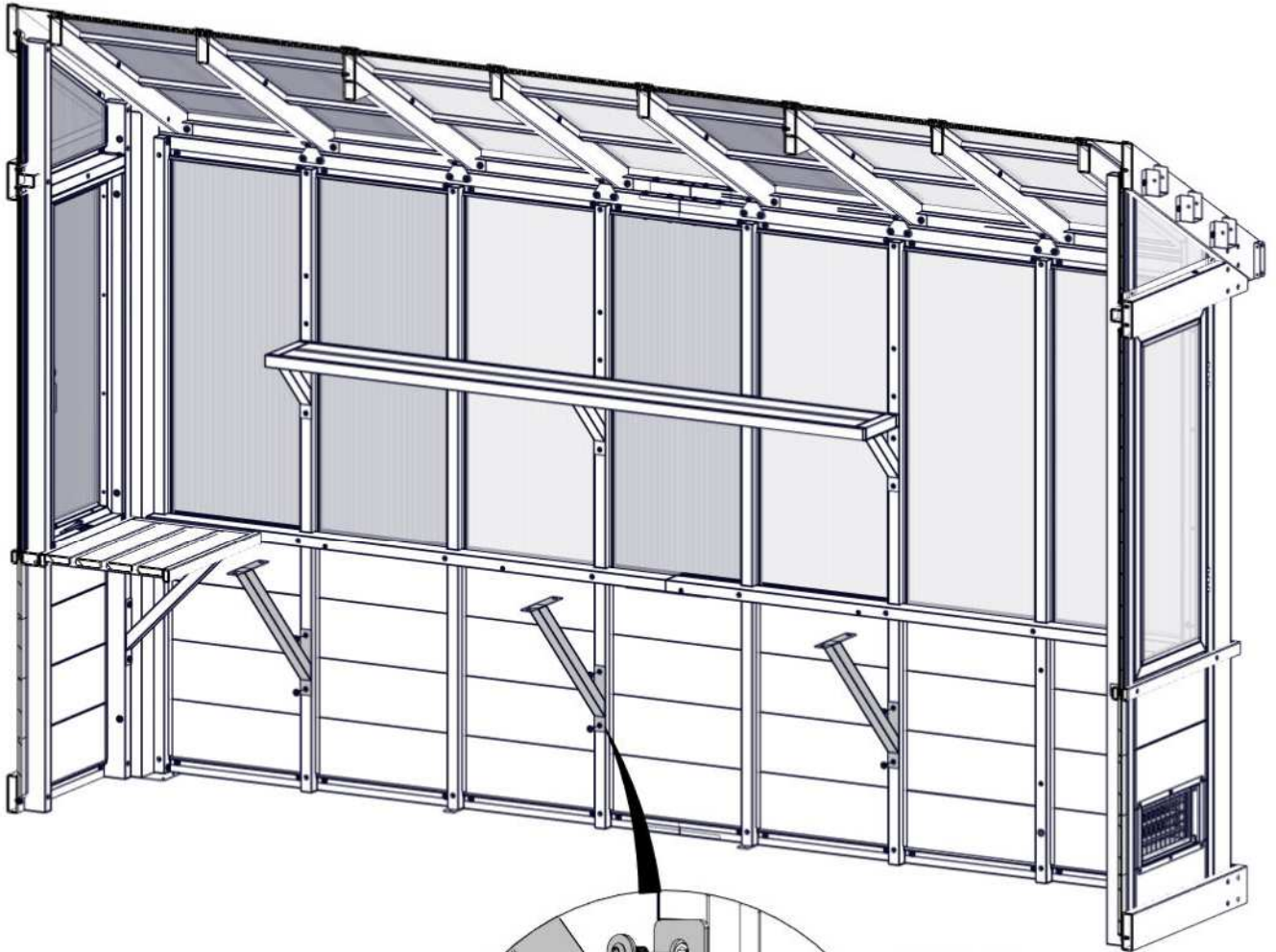
# STEP 144 - TABLE ASSEMBLY

QTY	PART NUMBER	DESCRIPTION
6	H101202	TORX PAN HEAD 1/4-20x3/4 ASSY



**TB01 TABLE BRACE ASSEMBLY - A4M05024**  
 (x3) 20"x20"x1 9/16" (40x508.6x508.6)

**RIGHT SIDE**



**BRACKET HOLES WILL FIT AROUND THREADED INSERTS**

**1202 (x6) TORX PAN HEAD 1/4-20x3/4 ASSY**

**HAND TIGHTEN ONLY**

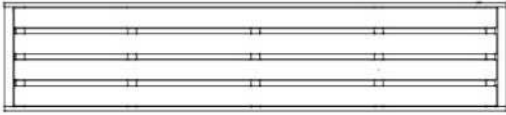
**TB01 (x3) TABLE BRACE ASSEMBLY**

**FLUSH**

**ONLY RIGHT SIDE OF GREENHOUSE SHOWN FOR DETAIL.**

# STEP 145 - TABLE ASSEMBLY

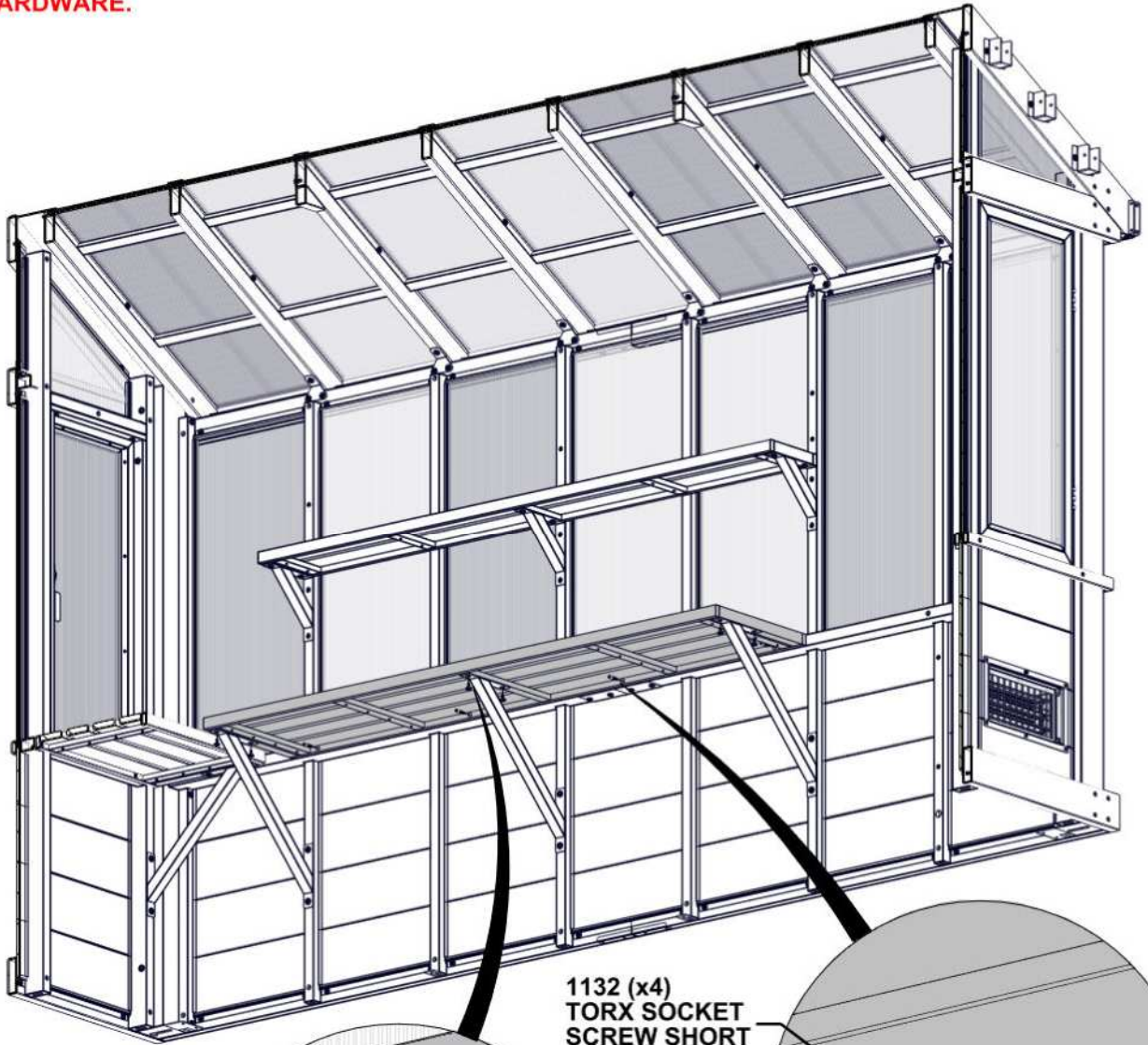
QTY	PART NUMBER	DESCRIPTION
6	H101202	TORX PAN HEAD 1/4-20x3/4 ASSY
4	H101132	TORX SOCKET SCREW SHORT 1/4-20



TB07 TABLE ASSEMBLY - A4M05043  
(x1) 87 9/16"x18 7/8"x1 9/16" (40x479x2224)

**- TIGHTEN ALL HARDWARE.**

**RIGHT SIDE**



**BRACKET HOLES WILL FIT AROUND THREADED INSERTS**

1202 (x6)  
TORX PAN HEAD  
1/4-20x3/4 ASSY

TB07 (x1)  
TABLE ASSEMBLY

1132 (x4)  
TORX SOCKET  
SCREW SHORT  
1/4-20

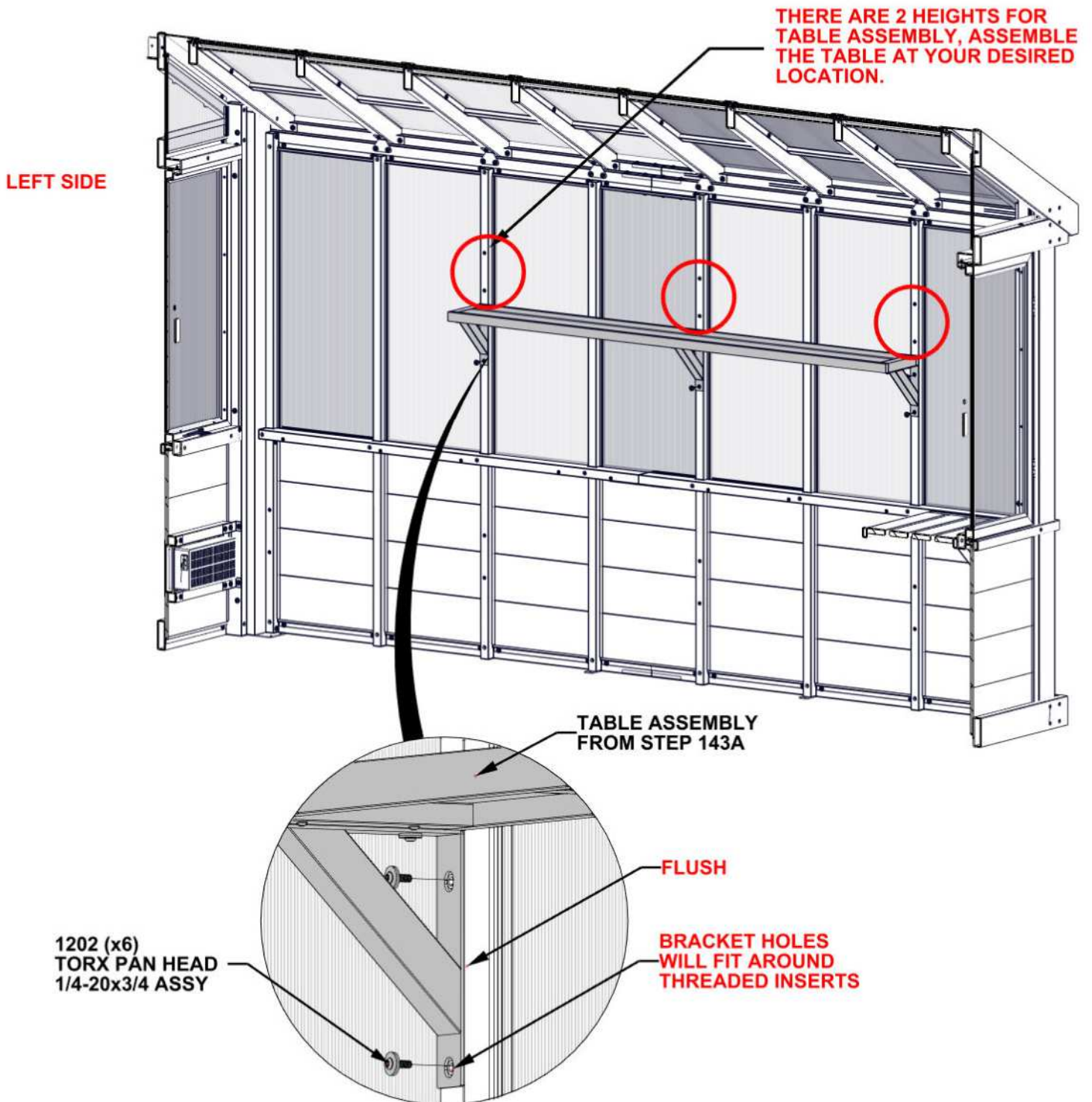
**FLUSH**

**ALIGN SCREW HOLES**

**ONLY RIGHT SIDE OF GREENHOUSE SHOWN FOR DETAIL.**

# STEP 146 - TABLE ASSEMBLY

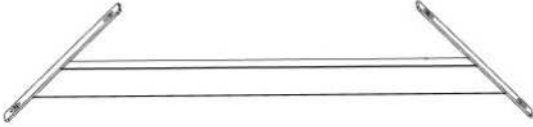
QTY	PART NUMBER	DESCRIPTION
6	H101202	TORX PAN HEAD 1/4-20x3/4 ASSY



ONLY LEFT SIDE OF GREENHOUSE SHOWN FOR DETAIL.

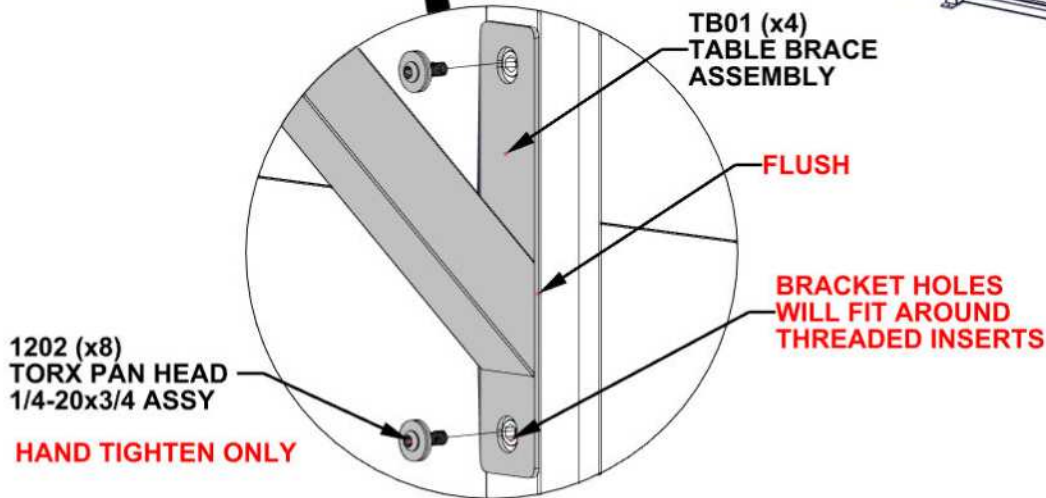
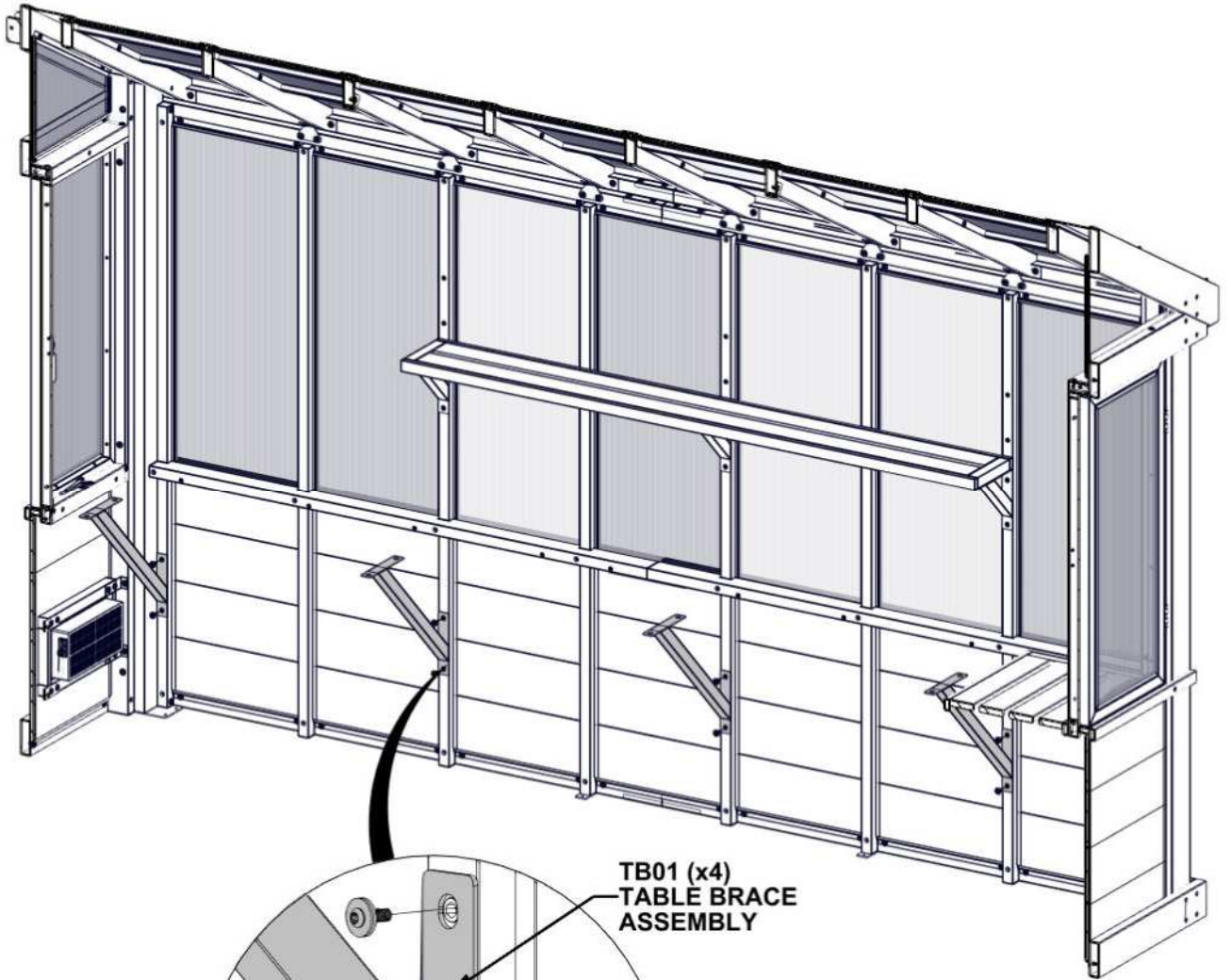
# STEP 147 - TABLE ASSEMBLY

QTY	PART NUMBER	DESCRIPTION
8	H101202	TORX PAN HEAD 1/4-20x3/4 ASSY



**TB01 TABLE BRACE ASSEMBLY - A4M05024**  
 (x4) 20"x20"x1 9/16" (40x508.6x508.6)

**LEFT SIDE**



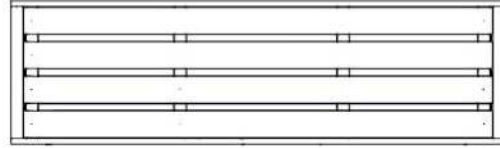
**ONLY LEFT SIDE OF GREENHOUSE SHOWN FOR DETAIL.**

# STEP 148 - TABLE ASSEMBLY

QTY	PART NUMBER	DESCRIPTION
8	H101202	TORX PAN HEAD 1/4-20x3/4 ASSY
8	H101132	TORX SOCKET SCREW SHORT 1/4-20



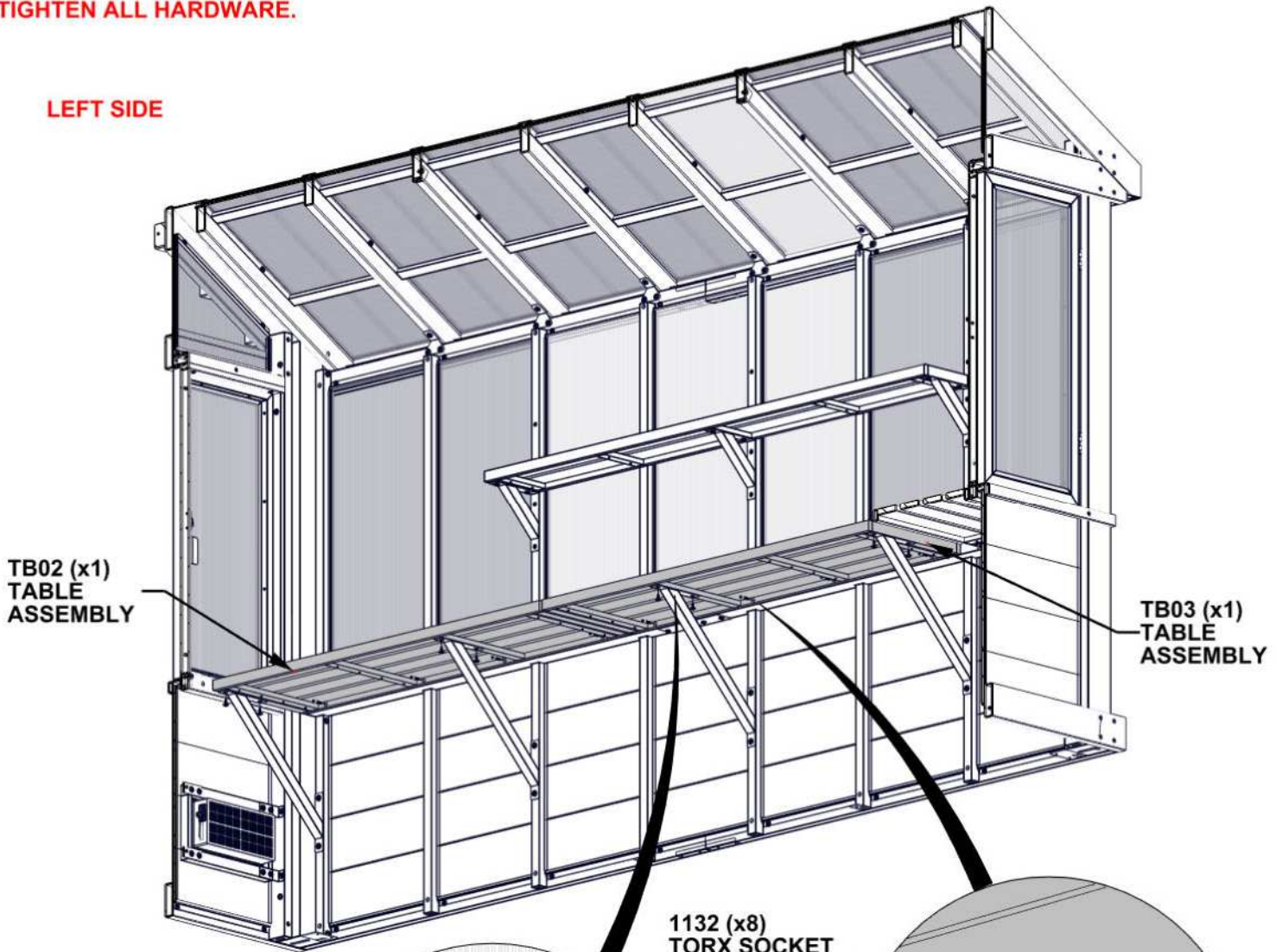
**TB02 TABLE ASSEMBLY - A4M05034**  
(x1) 65 1/16"x18 7/8"x1 9/16" (40x479x1652)



**TB03 TABLE ASSEMBLY - A4M05040**  
(x1) 65 1/16"x18 7/8"x1 9/16" (40x479x1652)

**- TIGHTEN ALL HARDWARE.**

**LEFT SIDE**



**TB02 (x1)  
TABLE  
ASSEMBLY**

**TB03 (x1)  
TABLE  
ASSEMBLY**

**1132 (x8)  
TORX SOCKET  
SCREW SHORT  
1/4-20**

**BRACKET HOLES  
WILL FIT AROUND  
THREADED INSERTS**

**FLUSH**

**1202 (x8)  
TORX PAN HEAD  
1/4-20x3/4 ASSY**

**ALIGN SCREW  
HOLES**

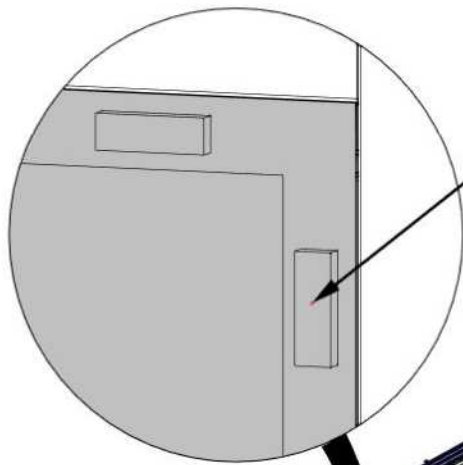
**ONLY LEFT SIDE OF GREENHOUSE SHOWN FOR DETAIL.**

# STEP 149 - WINDOW MOSQUITO SCREEN ASSEMBLY

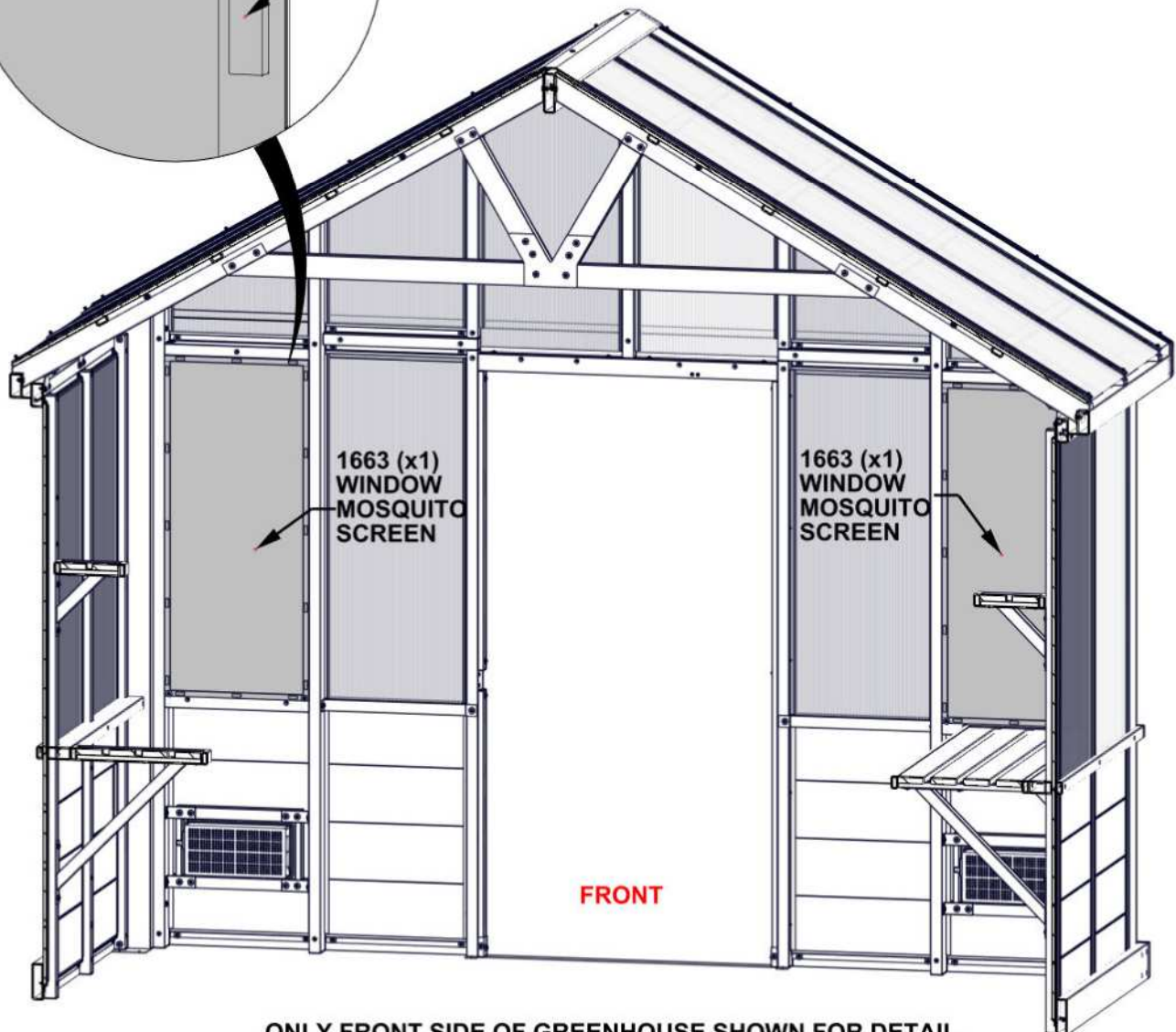


A6P01663 WINDOW MOSQUITO SCREEN  
(x2)

- ATTACH WINDOW MOSQUITO SCREEN AT THE CENTER OF WINDOW FRAME.



USE INTEGRATED MAGNETS  
TO HOLD SCREEN TO  
WINDOW FRAME



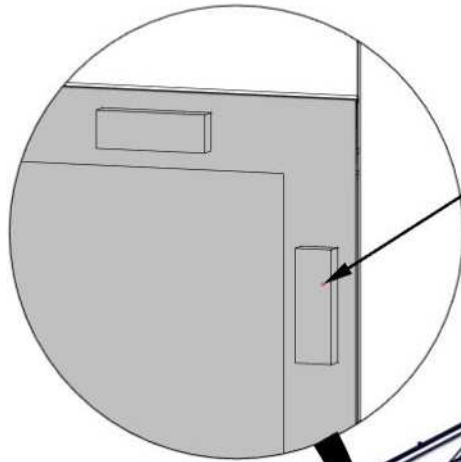
ONLY FRONT SIDE OF GREENHOUSE SHOWN FOR DETAIL.

# STEP 150 - WINDOW MOSQUITO SCREEN ASSEMBLY

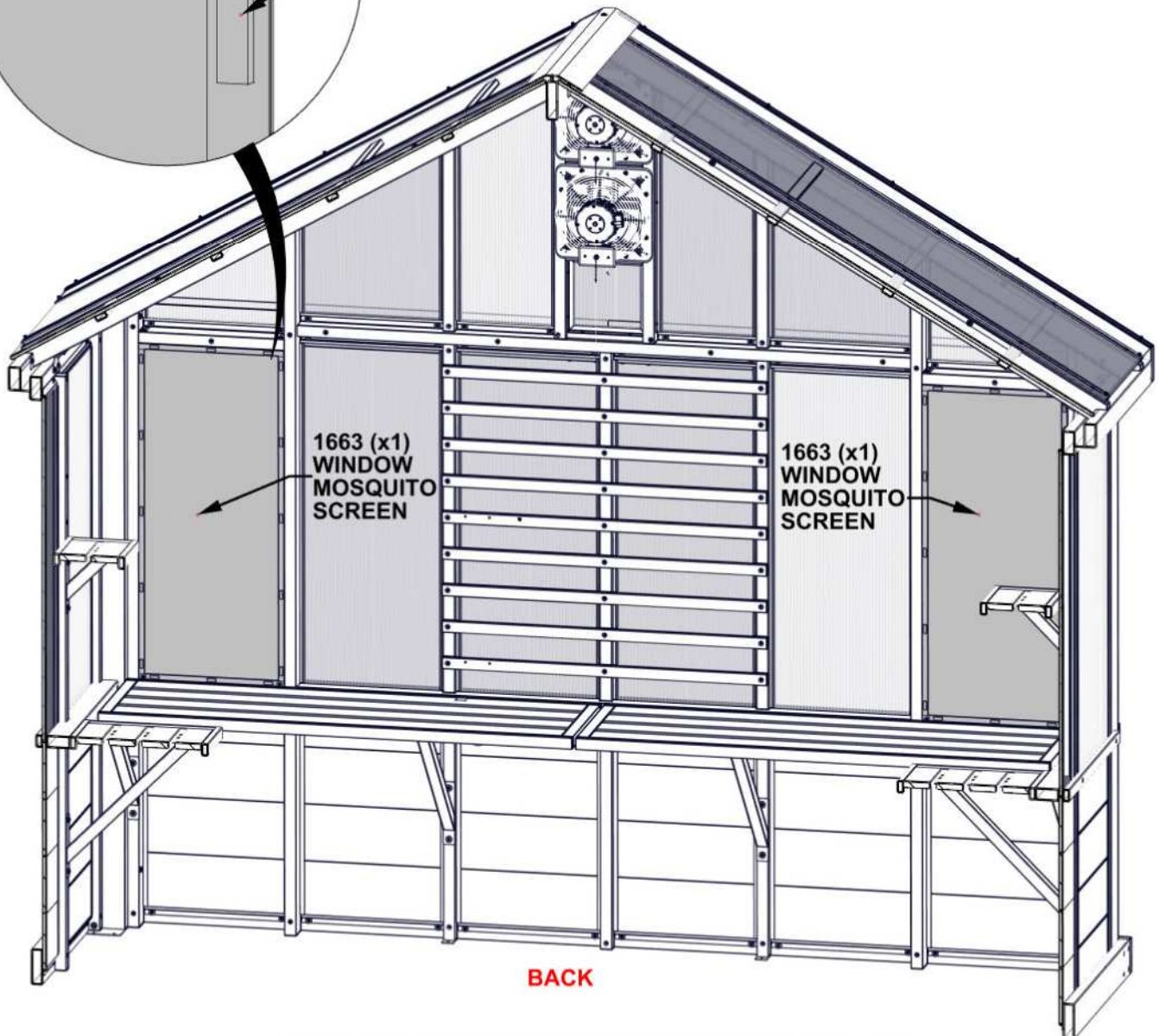


A6P01663 WINDOW MOSQUITO SCREEN  
(x2)

- ATTACH WINDOW MOSQUITO SCREEN AT THE CENTER OF WINDOW FRAME.



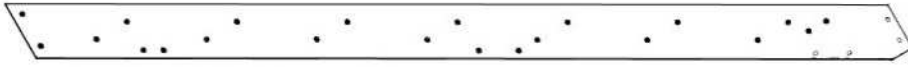
USE INTEGRATED MAGNETS  
TO HOLD SCREEN TO  
WINDOW FRAME



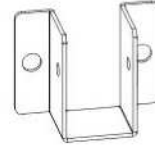
ONLY BACK SIDE OF GREENHOUSE SHOWN FOR DETAIL.

# STEP 151 - RAFTER ASSEMBLY

QTY	PART NUMBER	DESCRIPTION
14	H101202	TORX PAN HEAD 1/4-20x3/4 ASSY

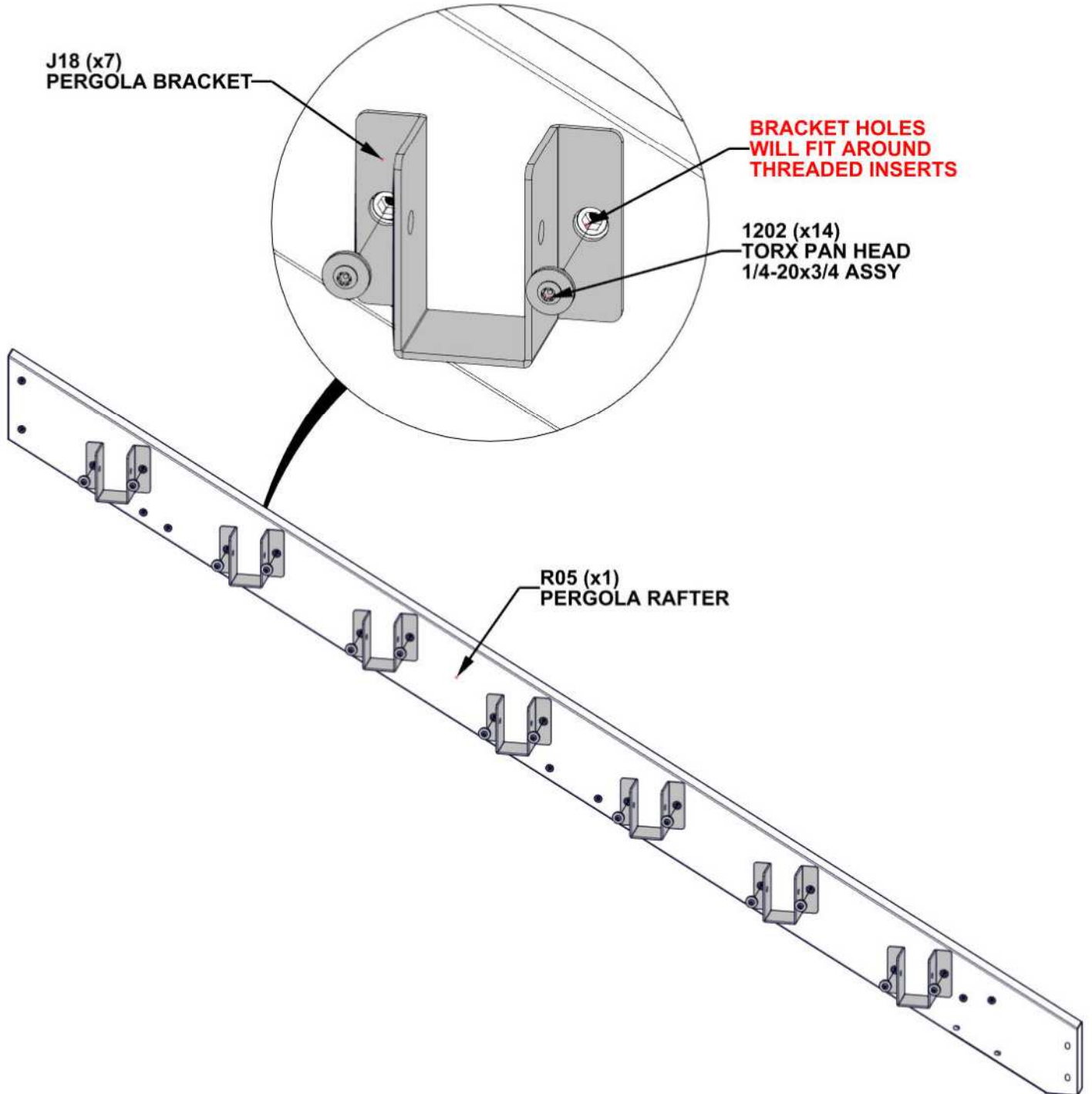


R05 PERGOLA RAFTER - A4M05018  
(x1) 85 3/16"x5 1/4"x1 7/16" (36x134x2164.5)



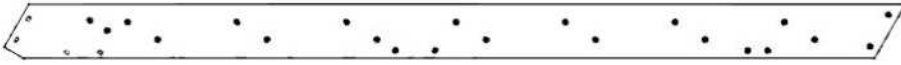
J18 PERGOLA BRACKET - A4M05292  
(x7) 4 7/16"x2 1/16"x3 5/8" (88x53x112)

- FOR EASE OF ASSEMBLY, WE RECOMMEND USING SAWHORSES FOR STEP 151-156.



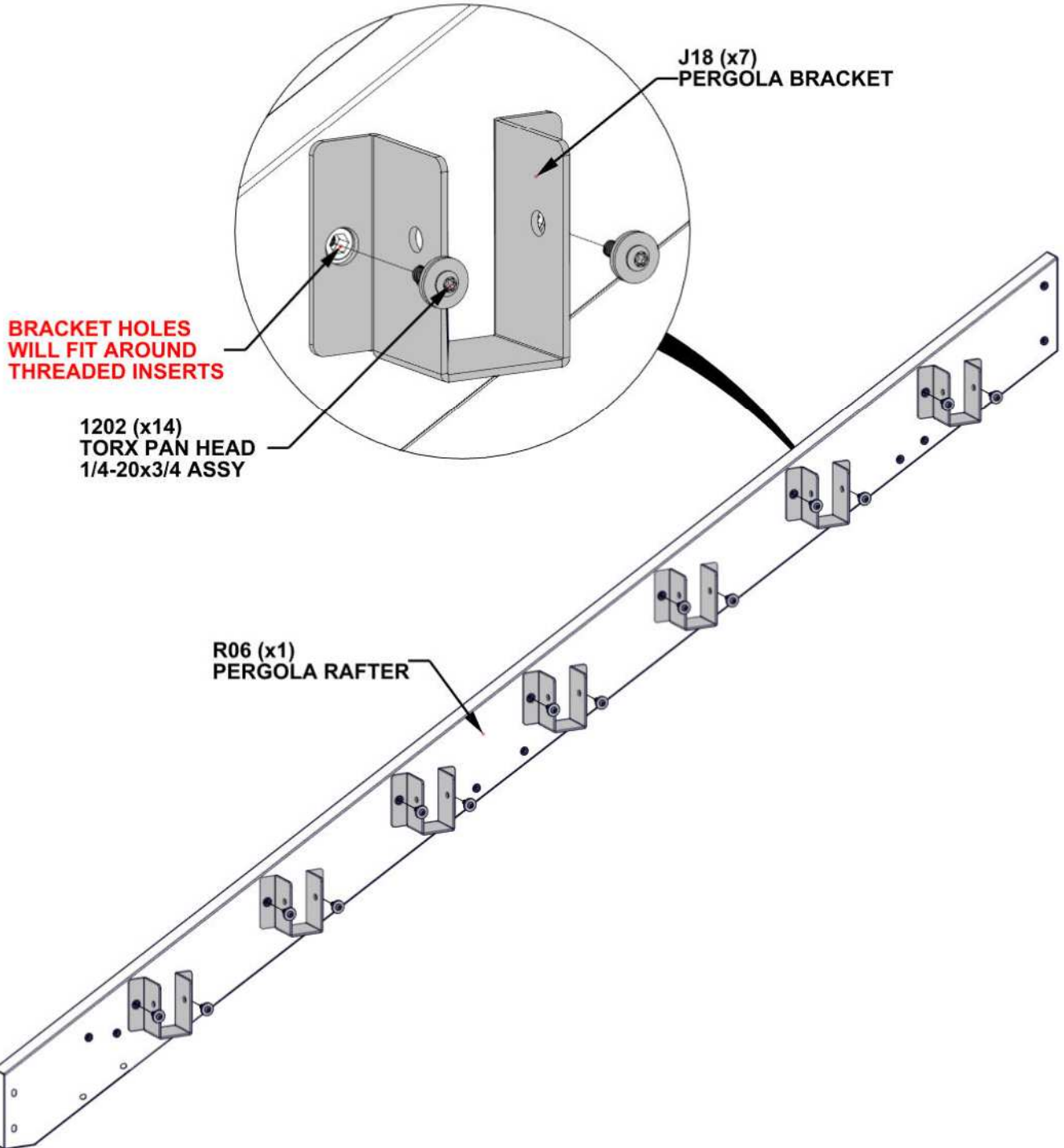
# STEP 152 - RAFTER ASSEMBLY

QTY	PART NUMBER	DESCRIPTION
14	H101202	TORX PAN HEAD 1/4-20x3/4 ASSY



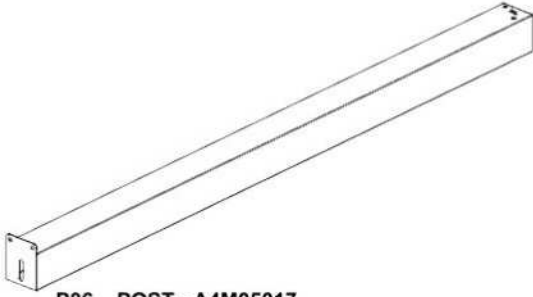
R06 PERGOLA RAFTER - A4M05019  
(x1) 85 3/16"x5 1/4"x1 7/16" (36x134x2164.5)

J18 PERGOLA BRACKET - A4M05292  
(x7) 4 7/16"x2 1/16"x3 5/8" (88x53x112)

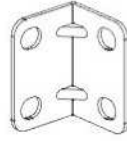


# STEP 153 - RAFTER AND POST ASSEMBLY

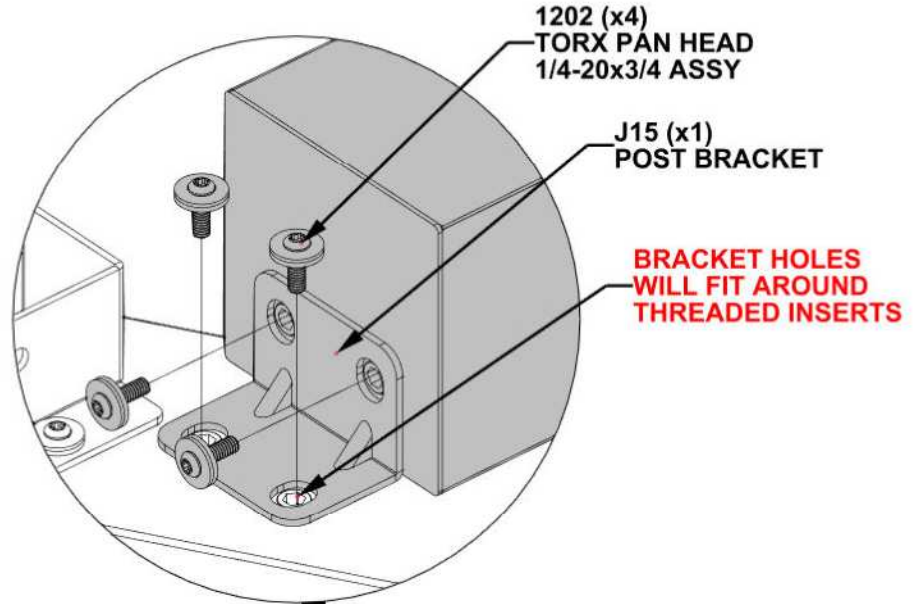
QTY	PART NUMBER	DESCRIPTION
4	H101202	TORX PAN HEAD 1/4-20x3/4 ASSY



**P06 POST - A4M05017**  
(x1) 86 7/8"x5 7/8"x4 3/4" (120x150x2206)



**J15 POST BRACKET - A4M05041**  
(x1) 3 1/8"x2 3/16"x2 3/16" (55x55x80)



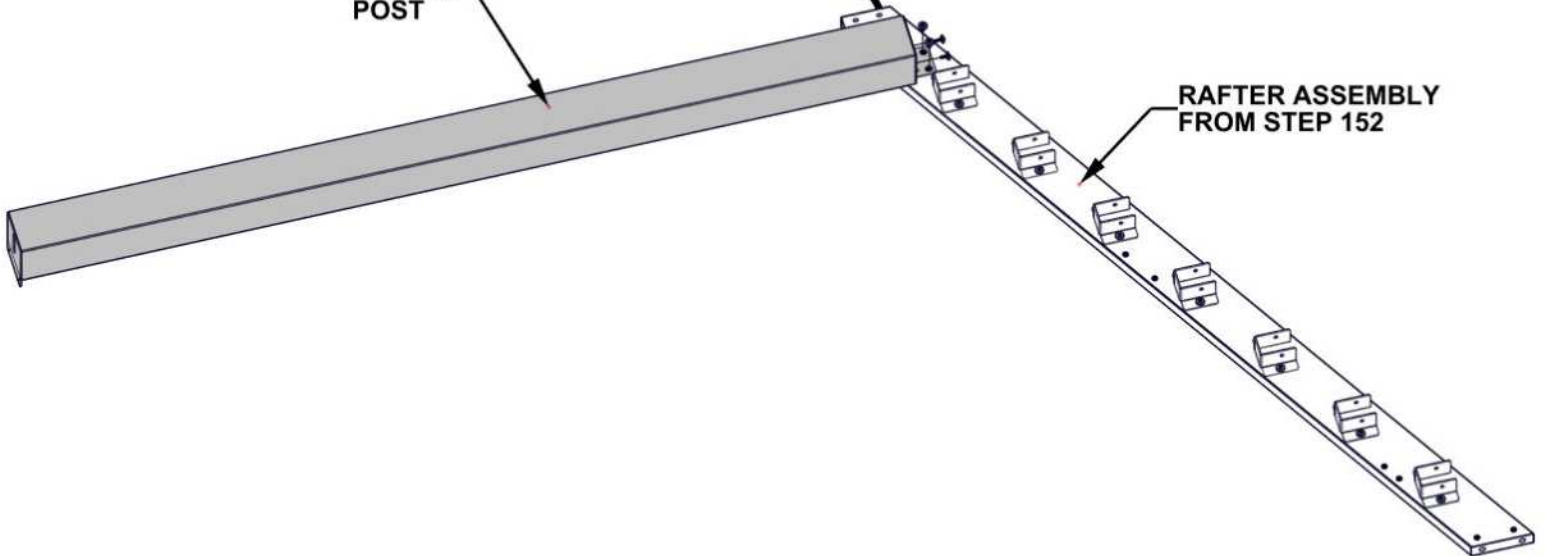
**1202 (x4)**  
TORX PAN HEAD  
1/4-20x3/4 ASSY

**J15 (x1)**  
POST BRACKET

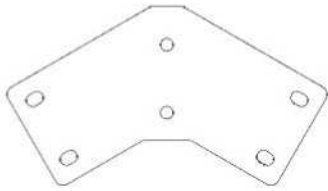
**BRACKET HOLES  
WILL FIT AROUND  
THREADED INSERTS**

**P06 (x1)**  
POST

**RAFTER ASSEMBLY  
FROM STEP 152**



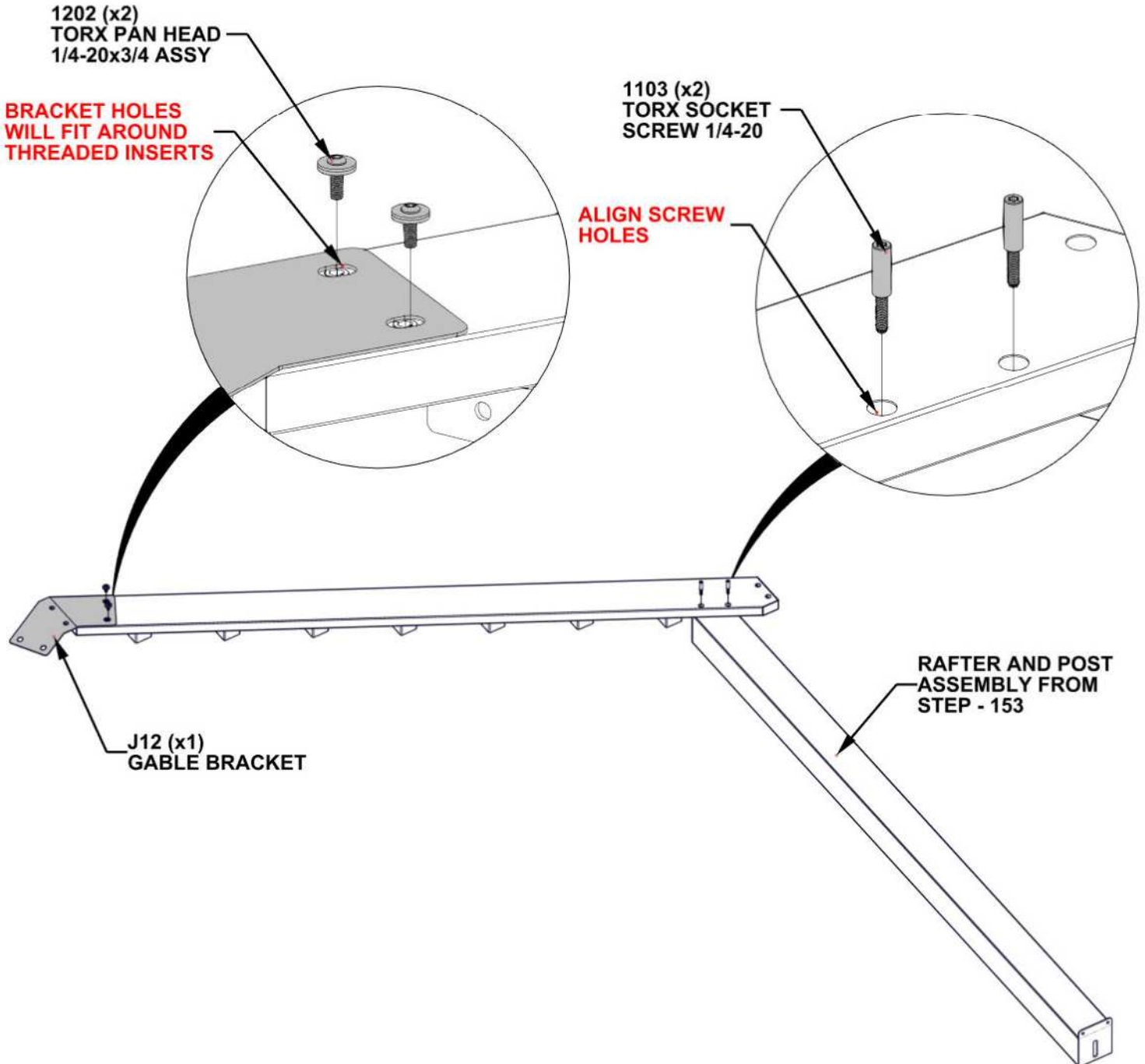
# STEP 154 - RAFTER AND POST ASSEMBLY



J12 GABLE BRACKET - A4M05300  
(x1) 14 7/8"x8 5/16"x1/16" (2x211x377)

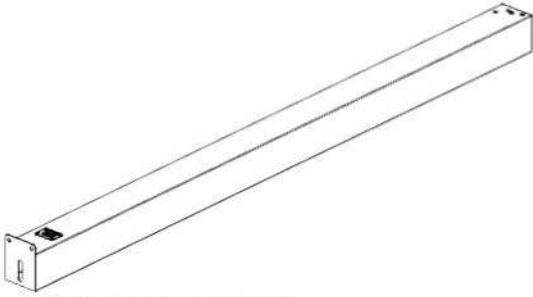
QTY	PART NUMBER	DESCRIPTION
2	H101202	TORX PAN HEAD 1/4-20x3/4 ASSY
2	H101103	TORX SOCKET SCREW 1/4-20

**- HAND TIGHTEN ONLY.**

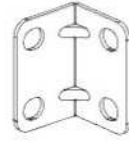


# STEP 155 - RAFTER AND POST ASSEMBLY

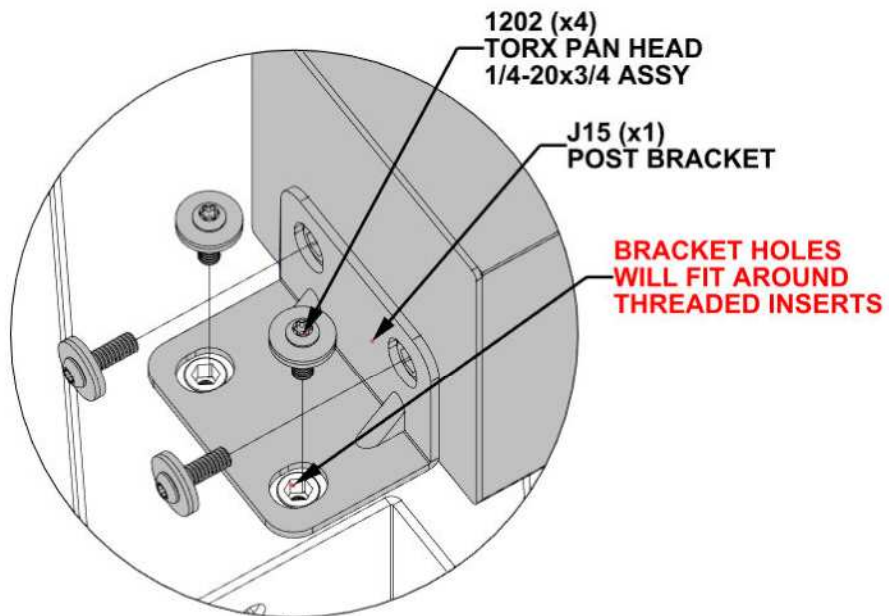
QTY	PART NUMBER	DESCRIPTION
4	H101202	TORX PAN HEAD 1/4-20x3/4 ASSY



**P05 POST - A4M05016**  
 (x1) 86 7/8"x5 7/8"x4 3/4" (120x150x2206)

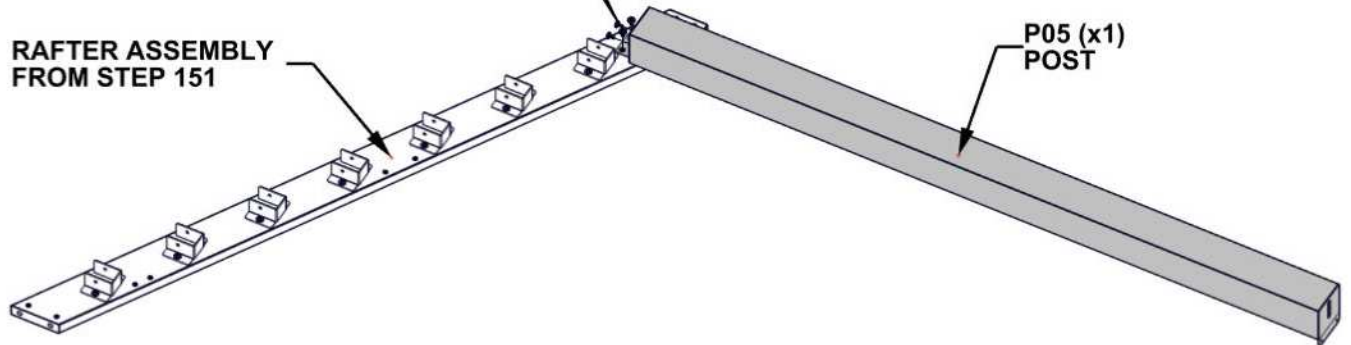


**J15 POST BRACKET - A4M05041**  
 (x1) 3 1/8"x2 3/16"x2 3/16" (55x55x80)



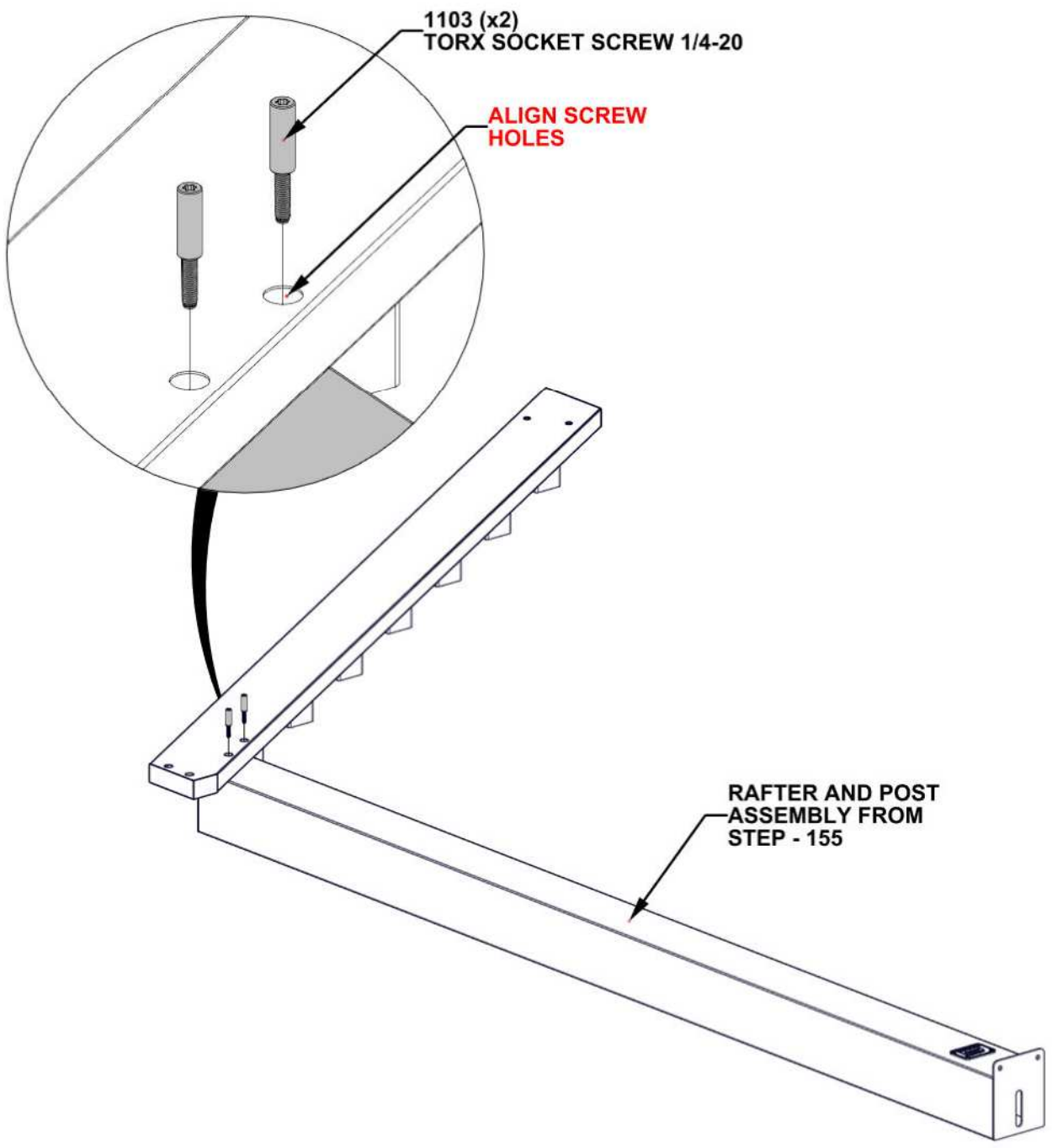
**RAFTER ASSEMBLY FROM STEP 151**

**P05 (x1) POST**



# STEP 156 - RAFTER AND POST ASSEMBLY

QTY	PART NUMBER	DESCRIPTION
2	H101103	TORX SOCKET SCREW 1/4-20

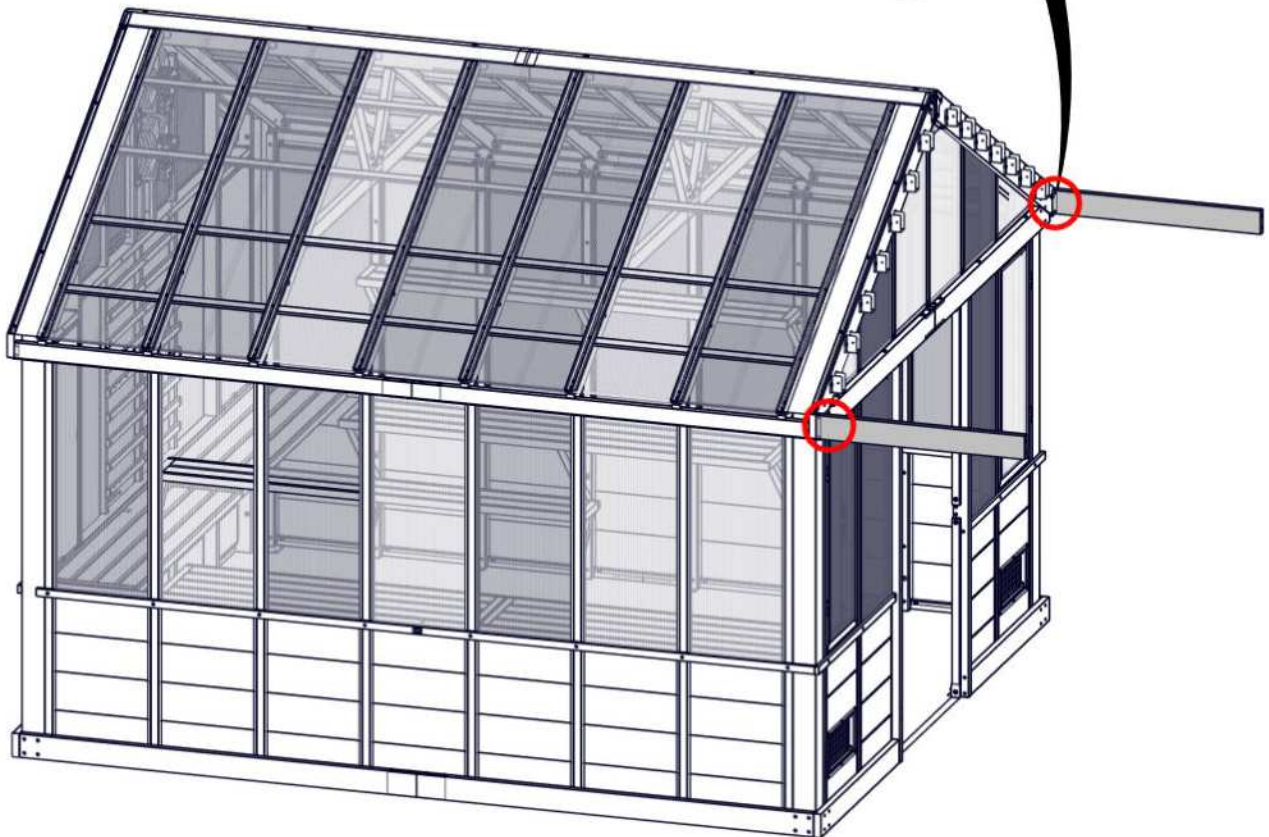
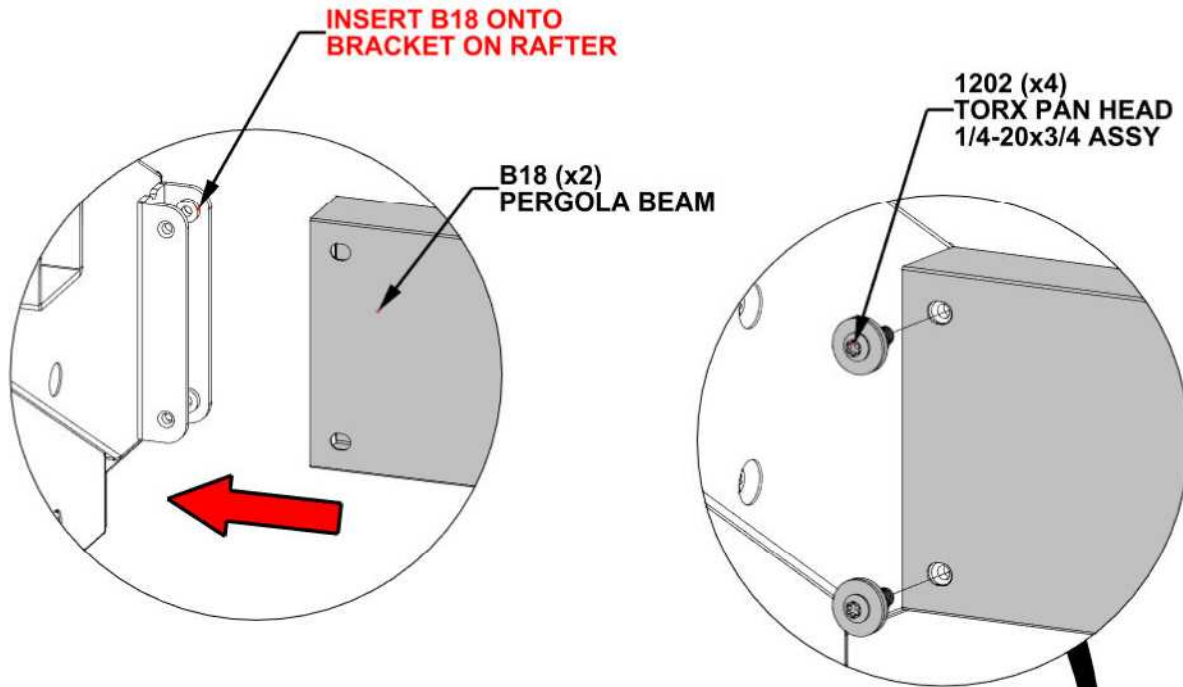


# STEP 157 - PERGOLA ASSEMBLY

QTY	PART NUMBER	DESCRIPTION
4	H101202	TORX PAN HEAD 1/4-20x3/4 ASSY



**B18 PERGOLA BEAM - A4M05020**  
(x2) 1 7/16"x4 13/16"x42 7/16" (36x122x1077.7)



# STEP 158 - RIDGE ASSEMBLY

QTY	PART NUMBER	DESCRIPTION
8	H101202	TORX PAN HEAD 1/4-20x3/4 ASSY

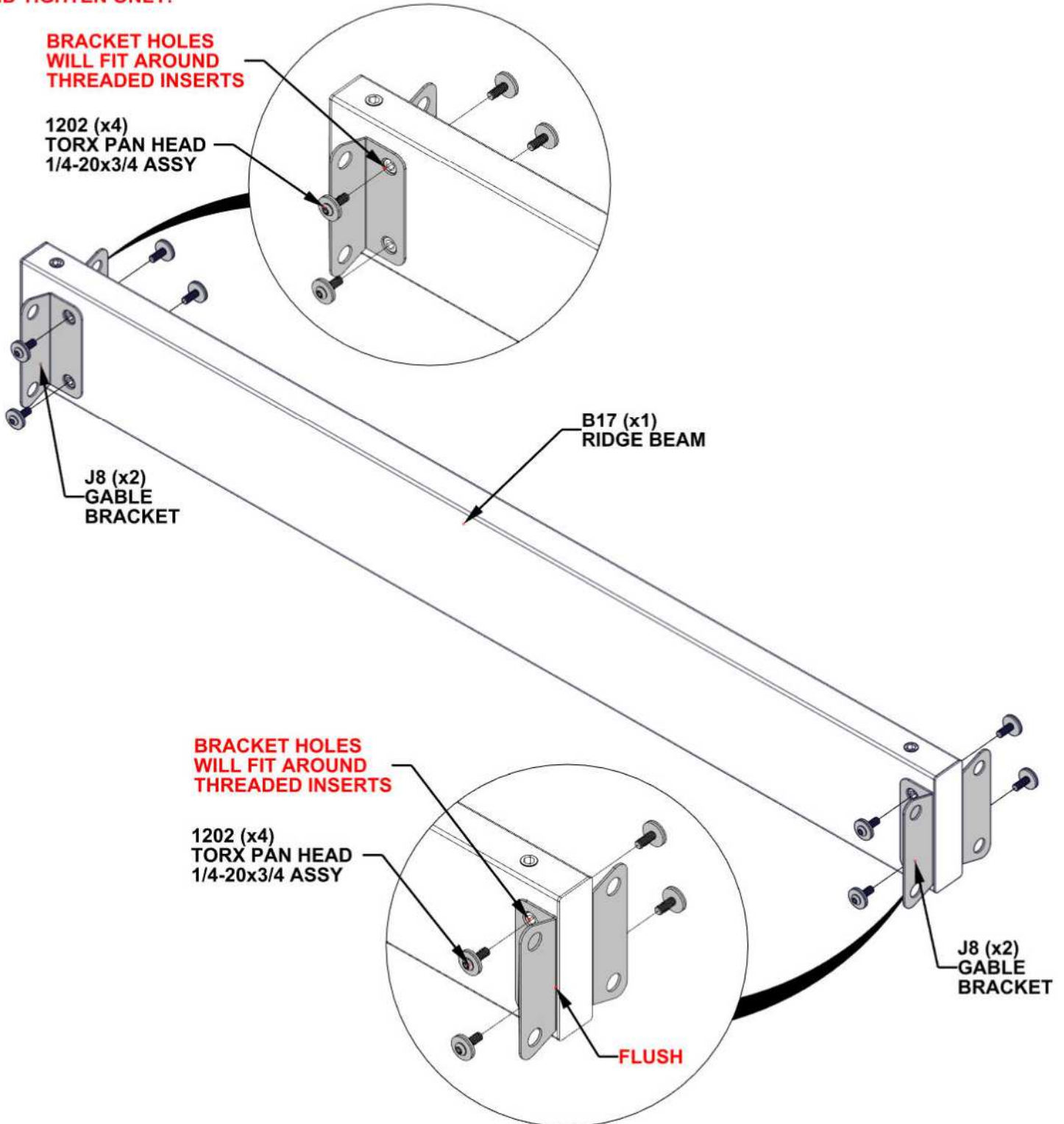


**B17 RIDGE BEAM - A4M05321**  
(x1) 43 3/4"x5 1/4"x1 7/16" (36x134x1112)



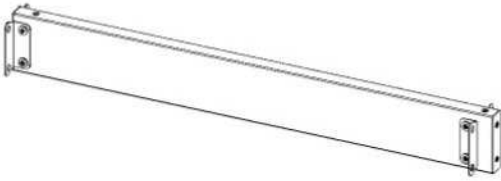
**J8 GABLE BRACKET - A4M03804**  
(x4) 4 13/16"x1 9/16"x1 9/16" (40x40x123)

**- HAND TIGHTEN ONLY.**

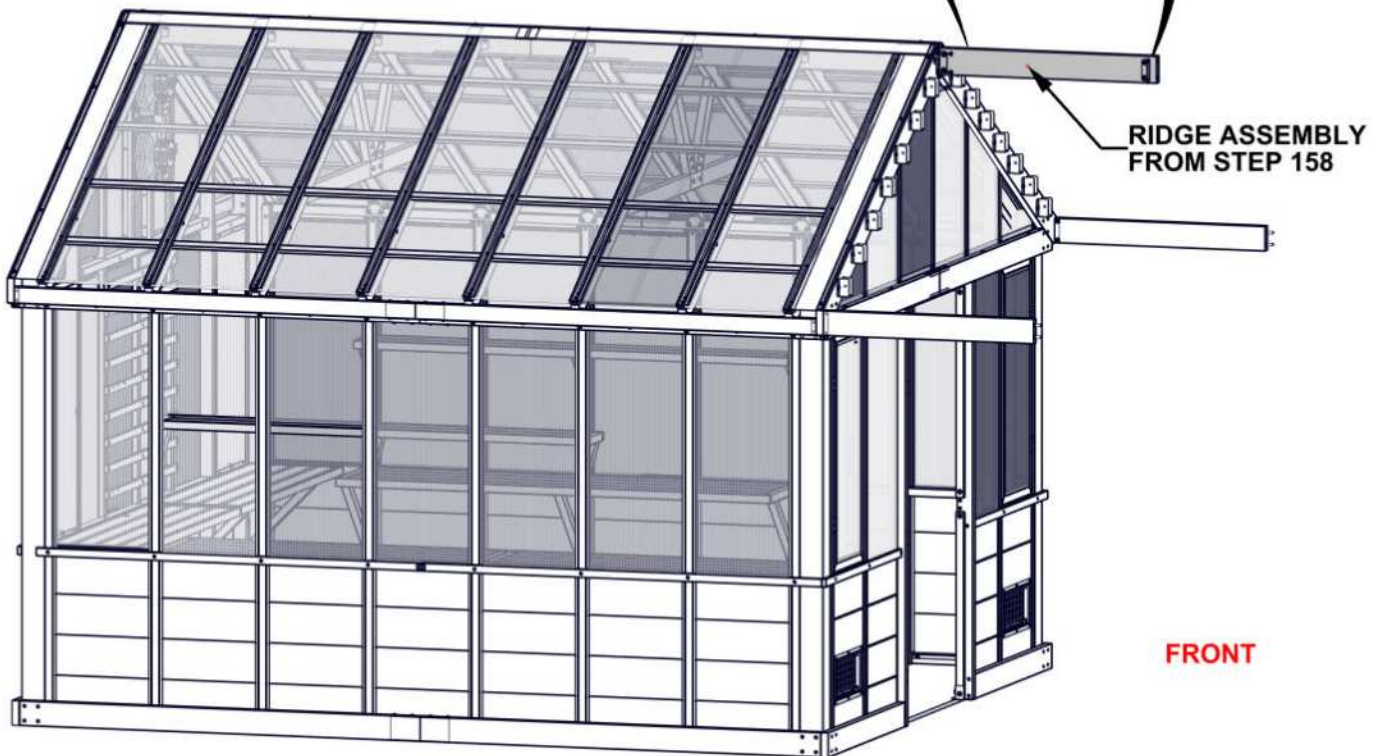
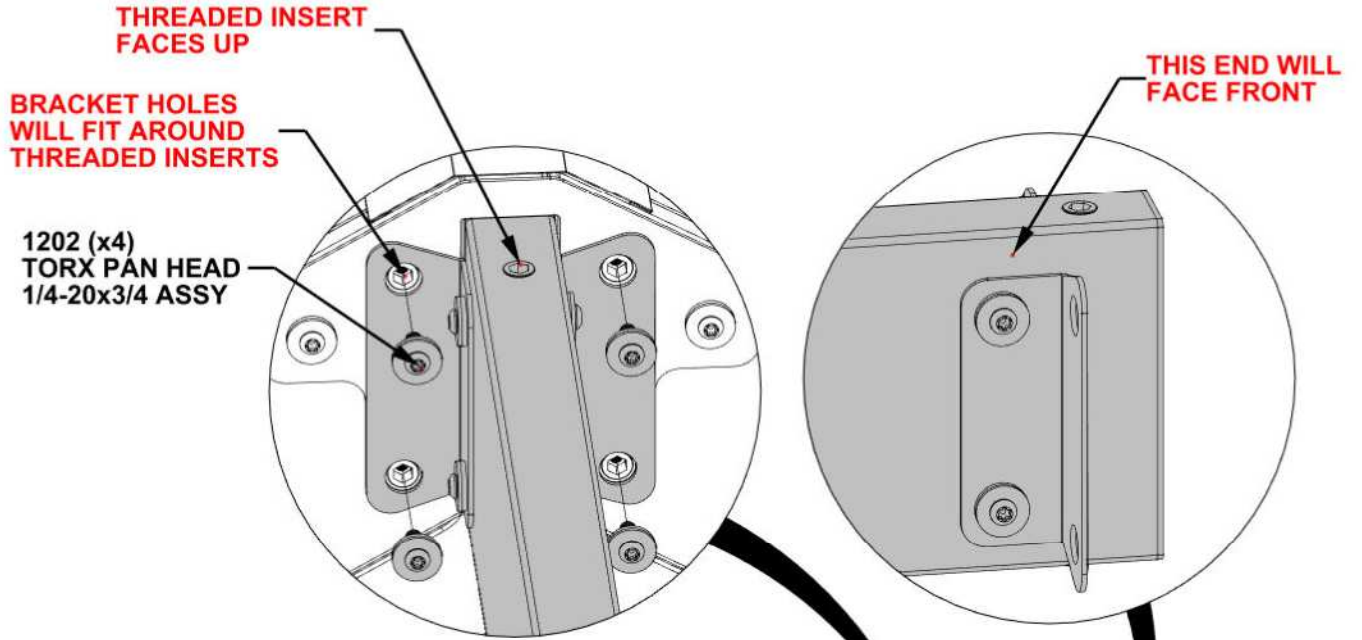


# STEP 159 - PERGOLA ASSEMBLY

QTY	PART NUMBER	DESCRIPTION
4	H101202	TORX PAN HEAD 1/4-20x3/4 ASSY



RIDGE ASSEMBLY FROM STEP 158



# STEP 160 - PERGOLA ASSEMBLY

QTY	PART NUMBER	DESCRIPTION
4	H101202	TORX PAN HEAD 1/4-20x3/4 ASSY
2	H101103	TORX SOCKET SCREW 1/4-20

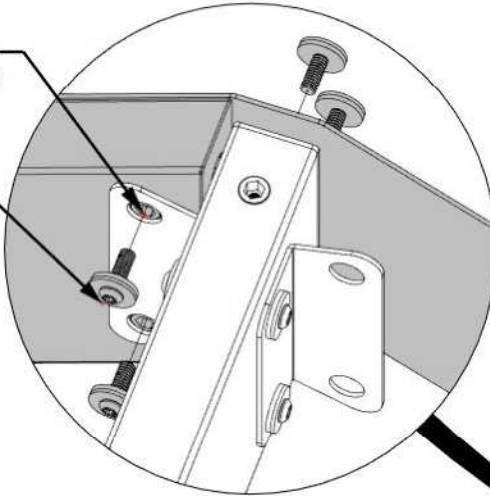


RAFTER AND POST ASSEMBLY FROM STEP 154

- WITH AT LEAST THREE OTHER PEOPLE, ATTACH RAFTER AND POST ASSEMBLY TO RIDGE BEAMS.

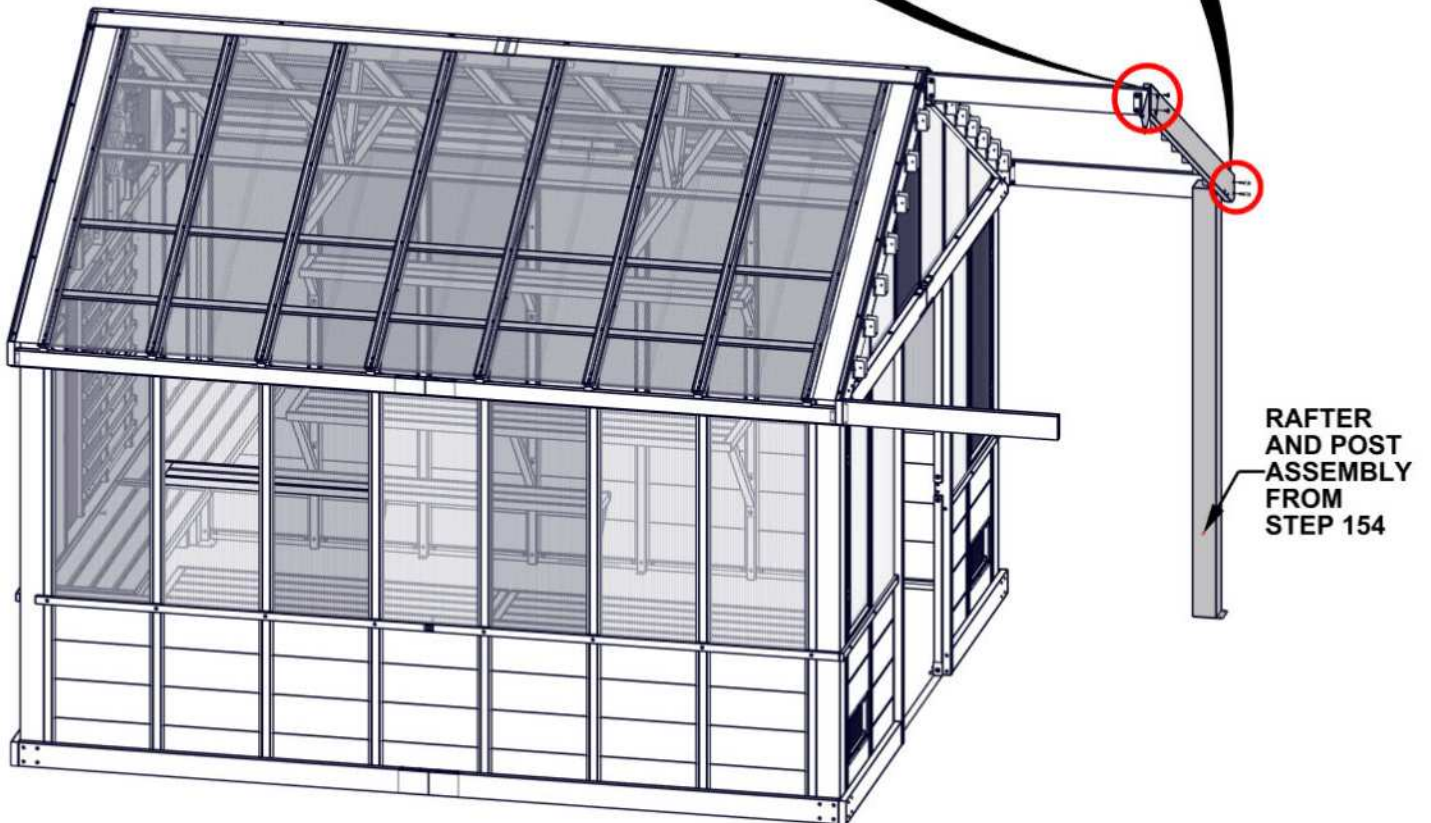
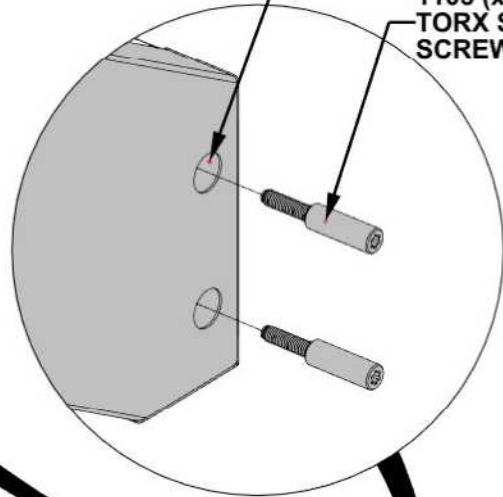
BRACKET HOLES WILL FIT AROUND THREADED INSERTS

1202 (x4)  
TORX PAN HEAD  
1/4-20x3/4 ASSY



ALIGN SCREW HOLES

1103 (x2)  
TORX SOCKET  
SCREW 1/4-20



# STEP 161 - PERGOLA ASSEMBLY

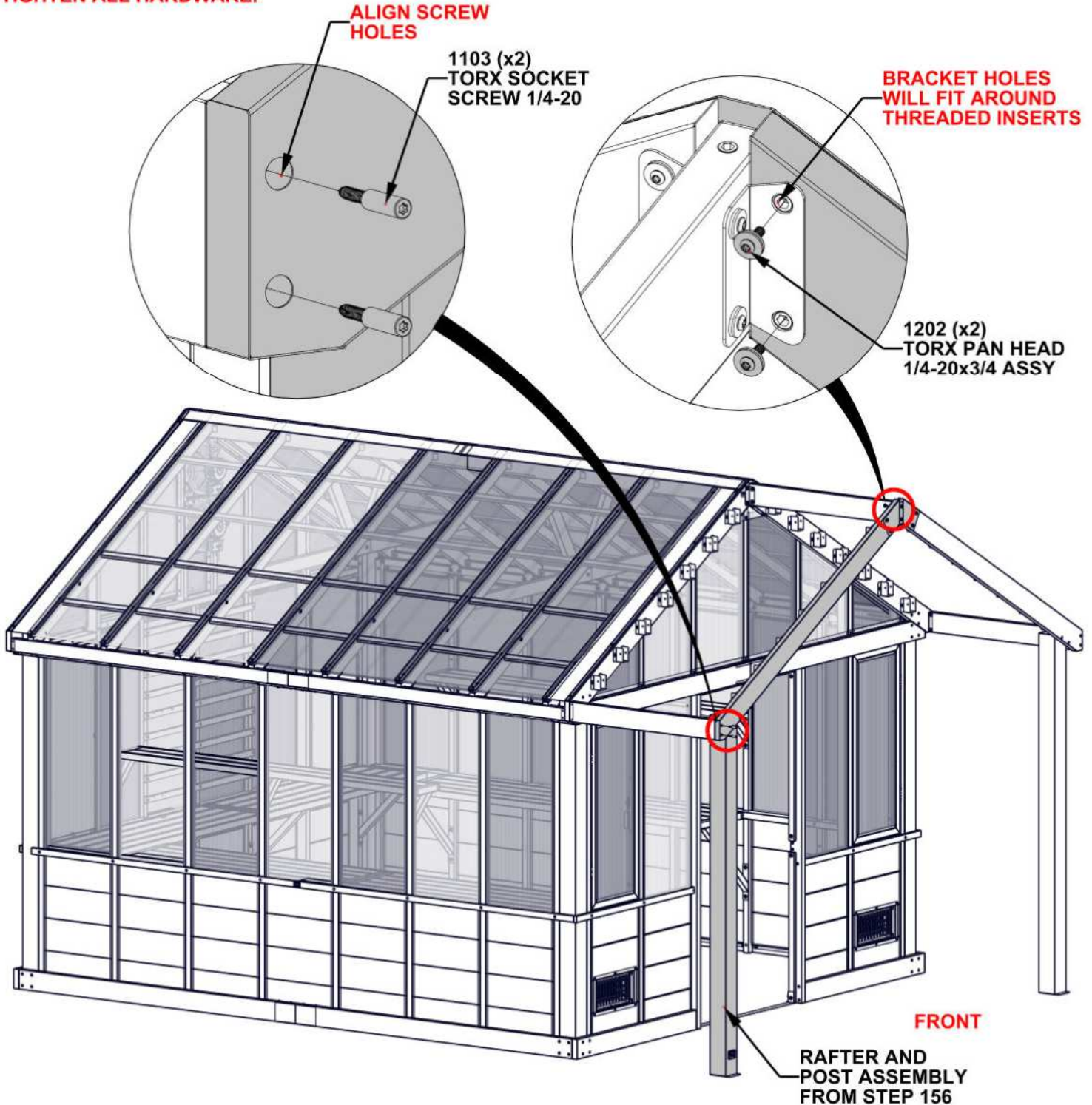
QTY	PART NUMBER	DESCRIPTION
2	H101202	TORX PAN HEAD 1/4-20x3/4 ASSY
2	H101103	TORX SOCKET SCREW 1/4-20



RAFTER AND POST ASSEMBLY FROM STEP 156

- WITH AT LEAST THREE OTHER PEOPLE, ATTACH RAFTER AND POST ASSEMBLY TO RIDGE BEAMS.

- TIGHTEN ALL HARDWARE.



# STEP 162 - PERGOLA ASSEMBLY

QTY	PART NUMBER	DESCRIPTION
2	H101293	TORX PAN HEAD 1/4-20x1 3/8"
2	H101054	SEALANT WASHER
2	H101053	STEEL WASHER 6x20

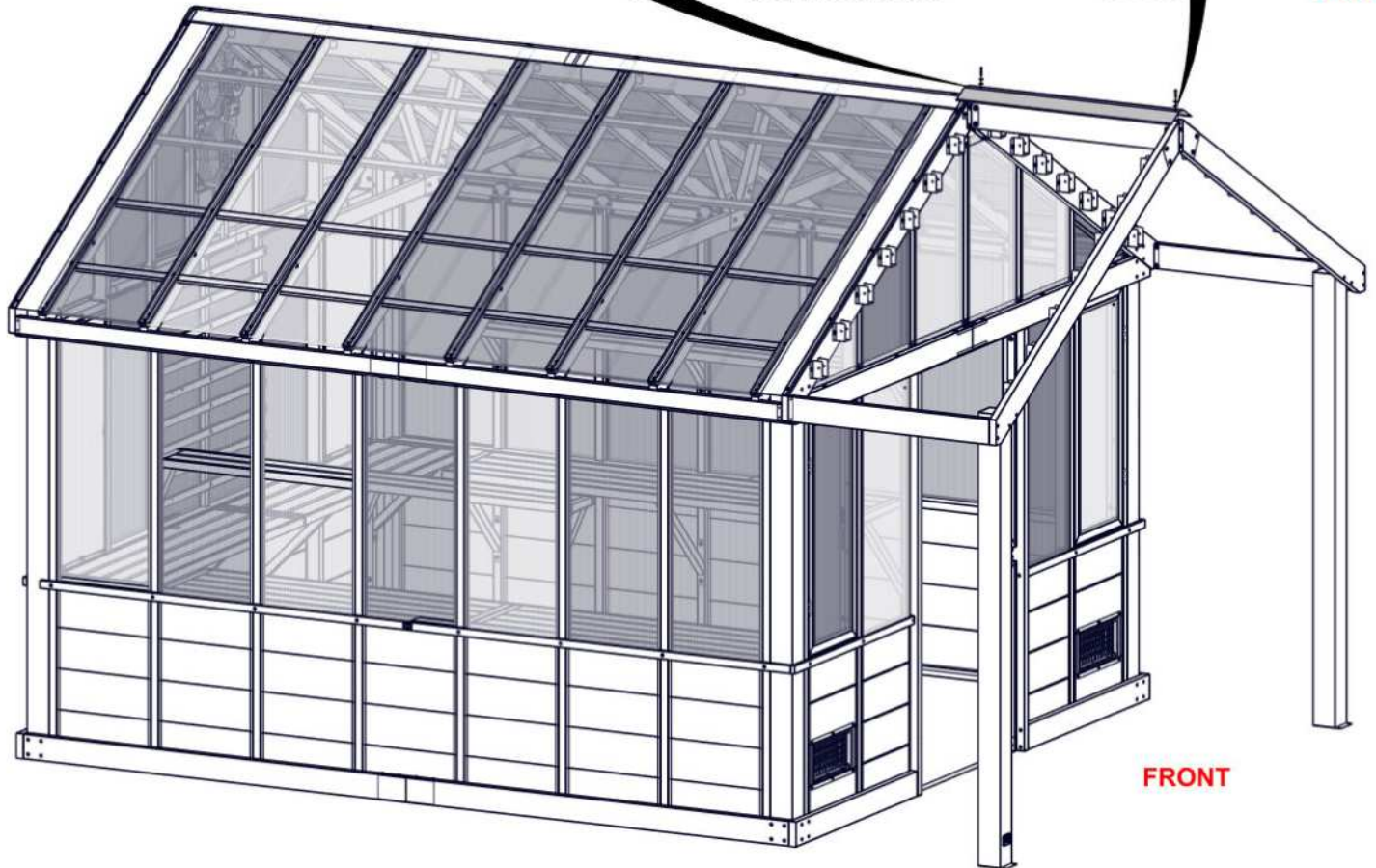
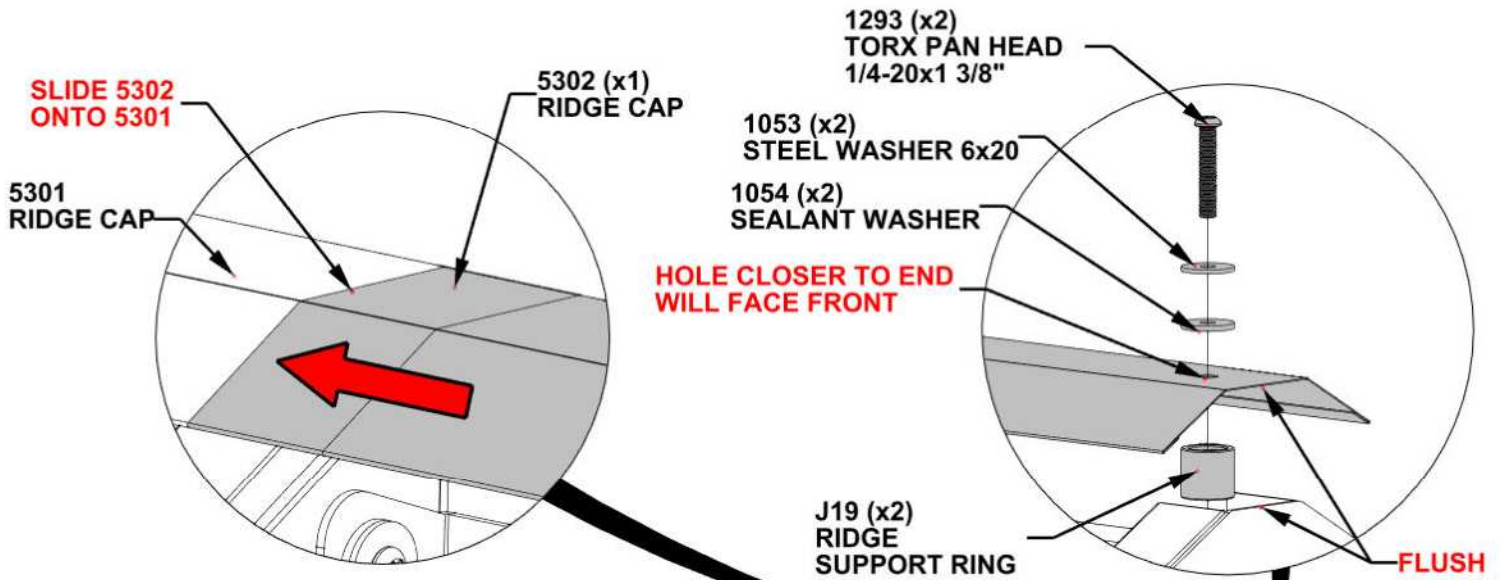


5302 RIDGE CAP - A4M05302  
(x1) 45 1/4"x8 1/4"x1 15/16" (49x210x1150)



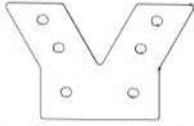
J19 RIDGE SUPPORT RING - A4M05573  
(x2) 13/16"x3/4" (19x20x)

- REMOVE PROTECTIVE FILM.
- SLIDE 5302 ONTO 5301 AS SHOWN BELOW.
- WARNING: GLOVES ARE RECOMMENDED WHEN HANDLING STEEL ROOF PIECE.

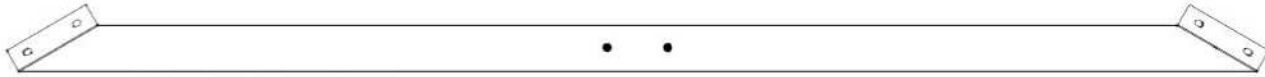


# STEP 163 - GABLE ASSEMBLY

QTY	PART NUMBER	DESCRIPTION
2	H101202	TORX PAN HEAD 1/4-20x3/4 ASSY



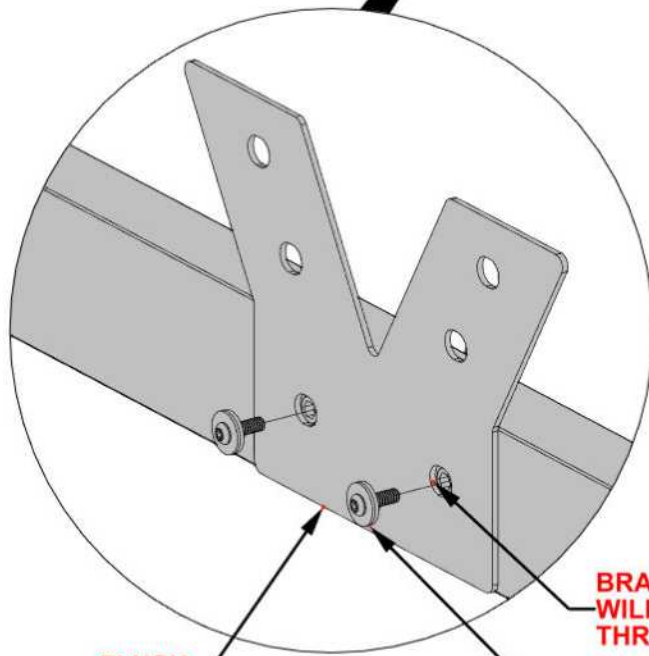
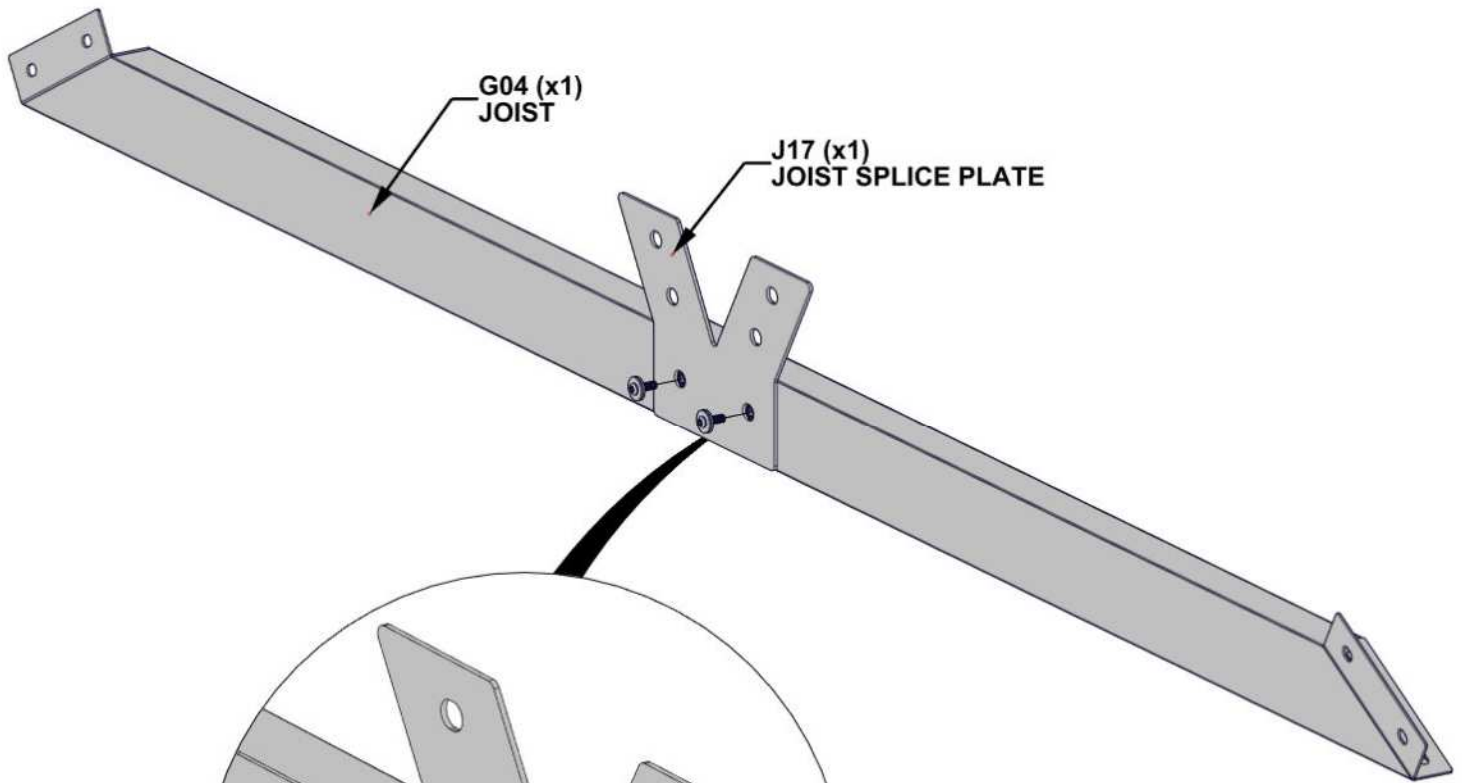
J17 JOIST SPLICE PLATE - A4M05286  
(x1) 11 1/2"x7 1/16"x1/8" (3x180x291.6)



G04 JOIST - A4M05288  
(x1) 85 11/16"x4 1/2"x1 9/16" (40x114x2176.5)

- FOR EASE OF ASSEMBLY, WE RECOMMEND USING SAWHORSES FOR STEP 163-165.

- **HAND TIGHTEN ONLY.**



**FLUSH**

**BRACKET HOLES  
WILL FIT AROUND  
THREADED INSERTS**

1202 (x2)  
TORX PAN HEAD  
1/4-20x3/4 ASSY

# STEP 164 - GABLE ASSEMBLY

QTY	PART NUMBER	DESCRIPTION
4	H101202	TORX PAN HEAD 1/4-20x3/4 ASSY

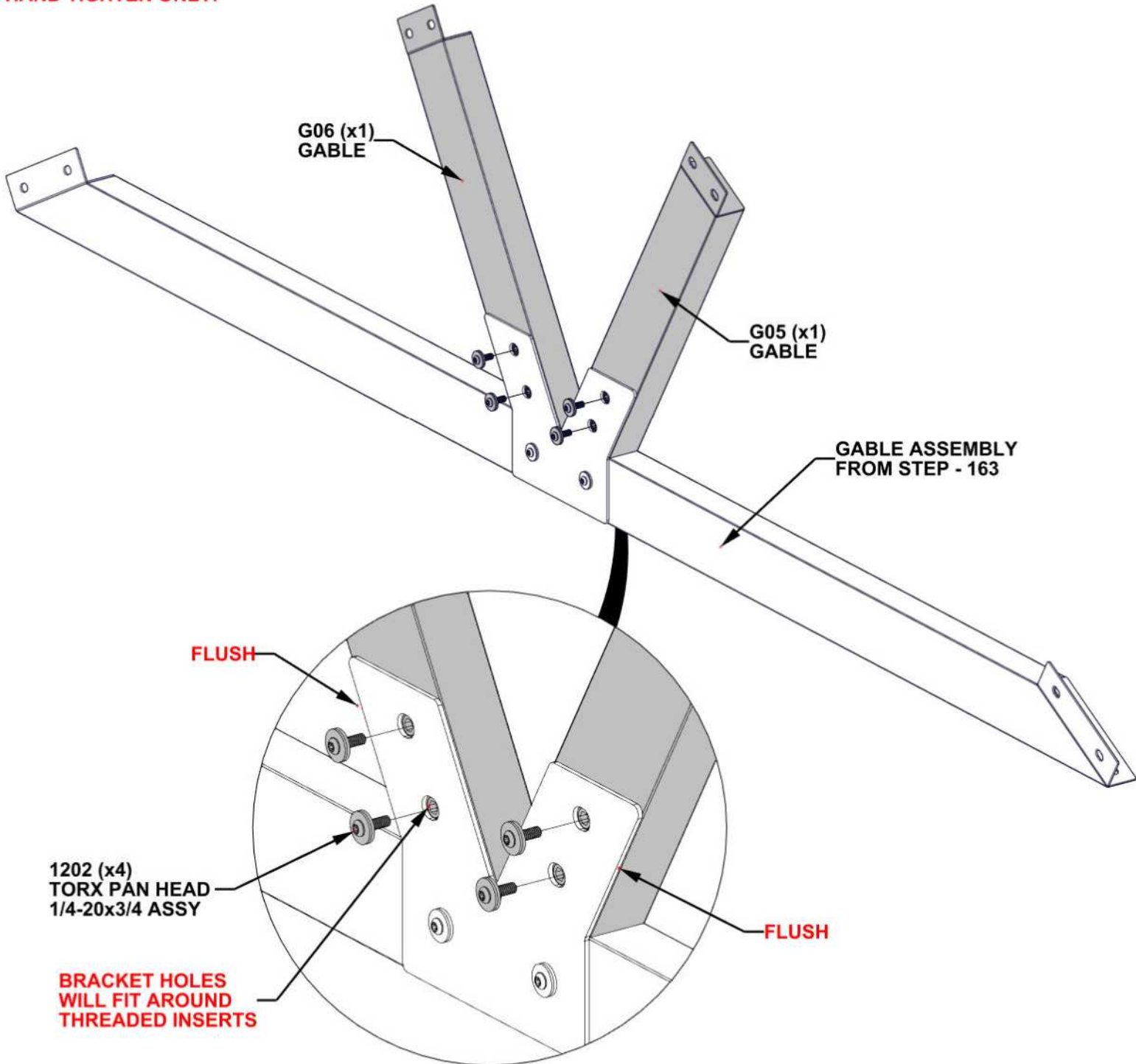


**G05 GABLE - A4M05289**  
(x1) 19 15/16"x3 1/8"x1 9/16" (40x80x506)



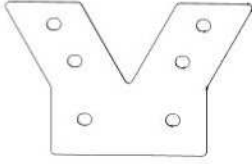
**G06 GABLE - A4M05290**  
(x1) 19 15/16"x3 1/8"x1 9/16" (40x80x506)

**- HAND TIGHTEN ONLY.**



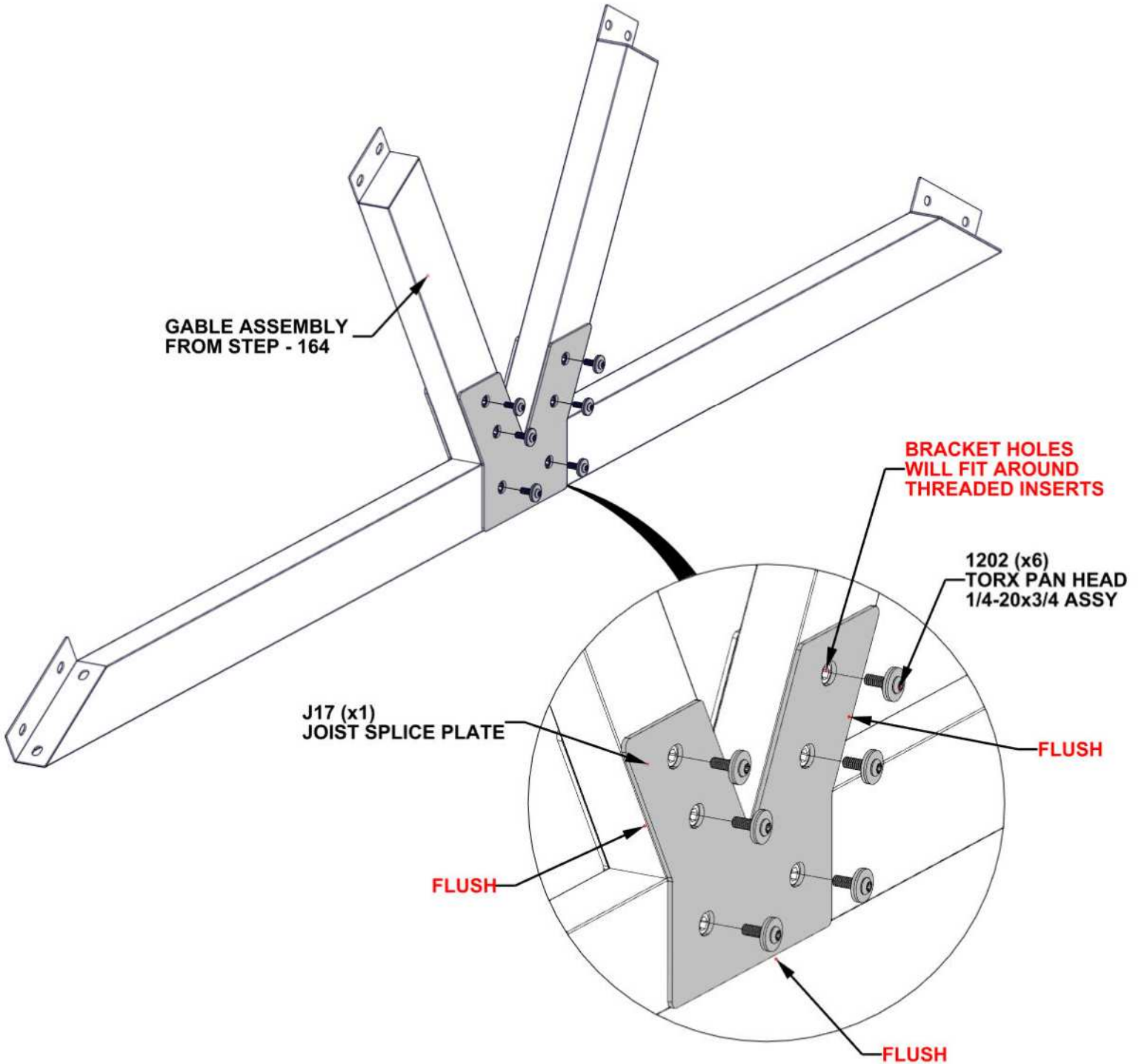
# STEP 165 - GABLE ASSEMBLY

QTY	PART NUMBER	DESCRIPTION
6	H101202	TORX PAN HEAD 1/4-20x3/4 ASSY



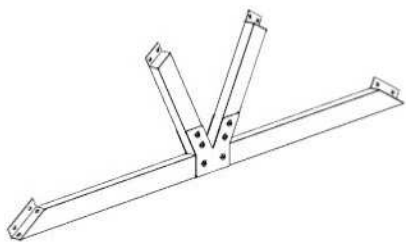
J17 JOIST SPLICE PLATE - A4M05286  
(x1) 11 1/2"x7 1/16"x1/8" (3x180x291.6)

**- TIGHTEN ALL HARDWARE.**



# STEP 166 - PERGOLA ASSEMBLY

QTY	PART NUMBER	DESCRIPTION
8	H101202	TORX PAN HEAD 1/4-20x3/4 ASSY



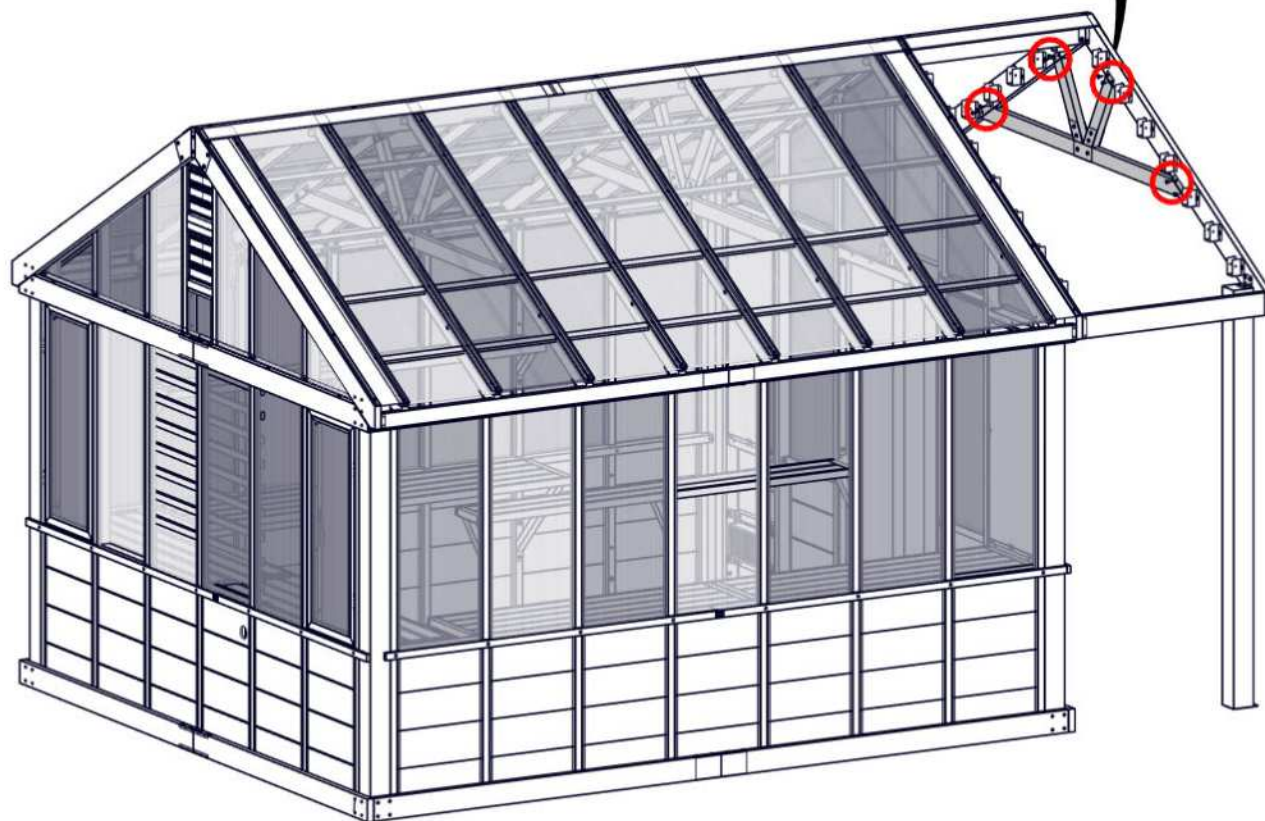
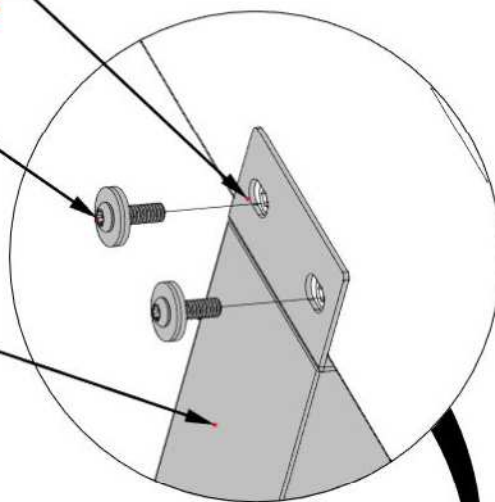
GABLE ASSEMBLY FROM STEP 165

**- TIGHTEN ALL HARDWARE.**

**ALIGN HOLES WITH  
THREADED INSERTS**

**1202 (x8)  
TORX PAN HEAD  
1/4-20x3/4 ASSY**

**GABLE ASSEMBLY  
FROM STEP 165**

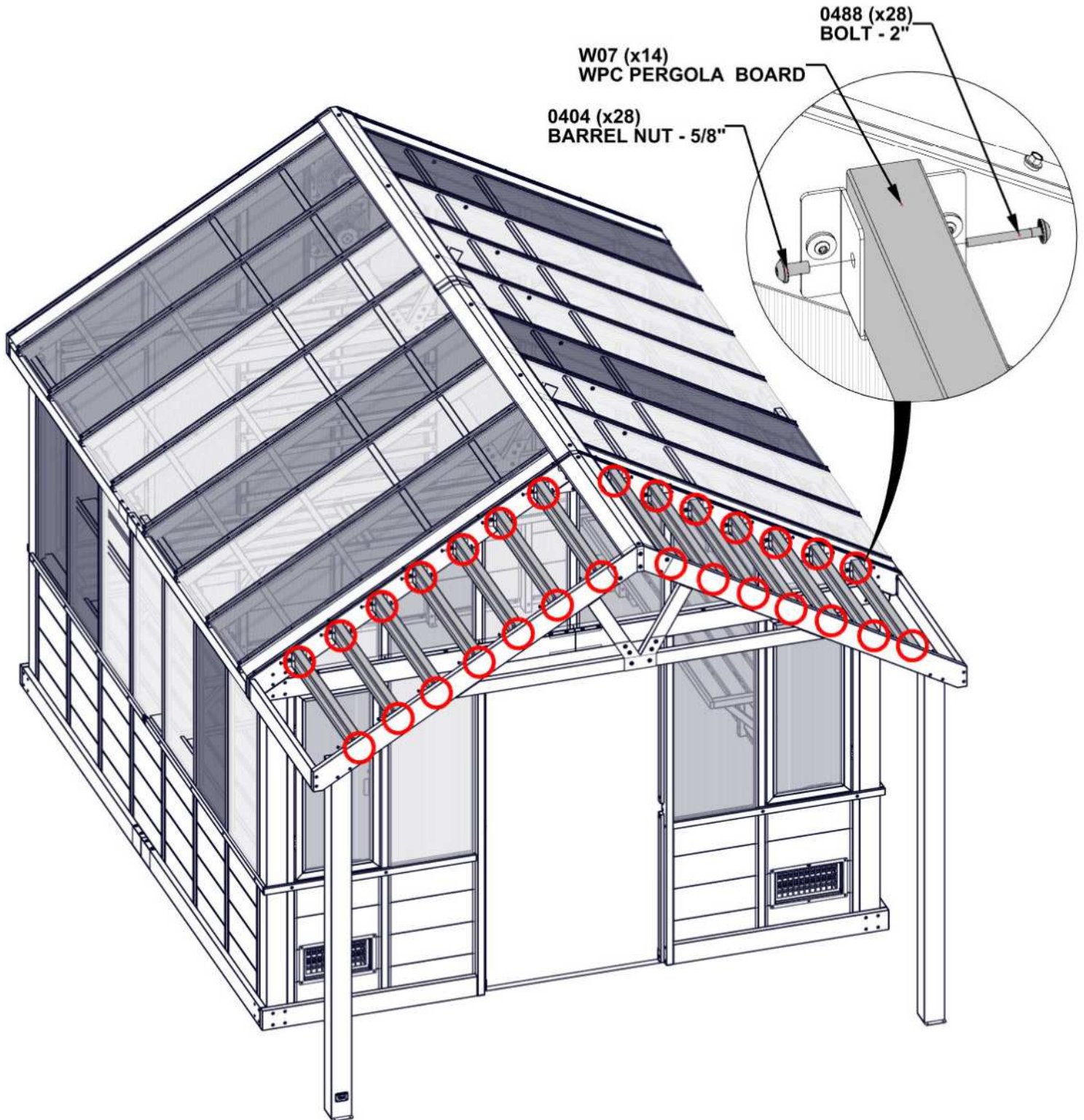


# STEP 167 - PERGOLA ASSEMBLY

QTY	PART NUMBER	DESCRIPTION
28	H100488	BOLT WH 1/4x2 BLK
28	H100404	NUT BARREL WH 1/4X5/8 BLK



**W07 WPC PERGOLA BOARD - A5C00022**  
(x14) 1 15/16"x3 15/16"x42 5/16" (50x100x1074)



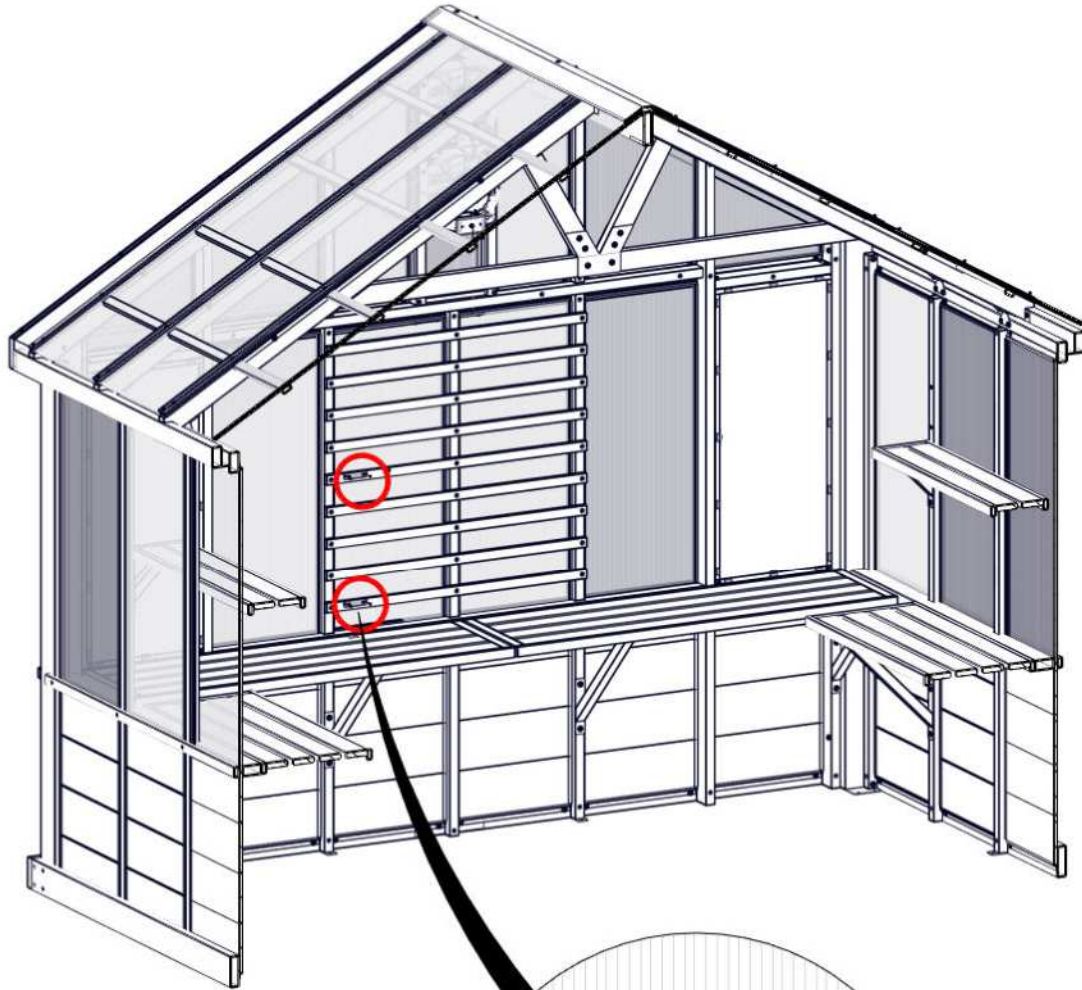
# STEP 168 - BACK WALL ASSEMBLY

QTY	PART NUMBER	DESCRIPTION
4	H101289	PAN HEAD SCREW 8-32x1/2" SS



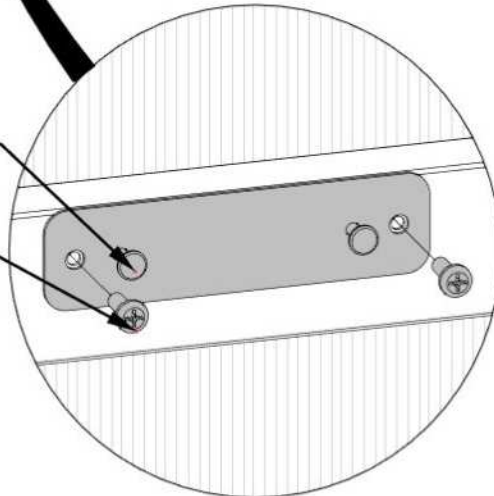
**A4M01292 MOUNTING BRACKET**  
(x2)

INCLUDED WITH THE ELECTRICAL ENCLOSURE



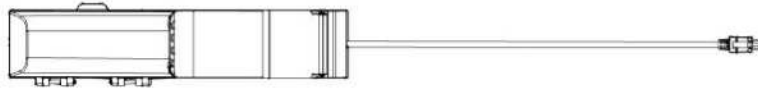
**1292 (x2)**  
**MOUNTING BRACKET**

**1289 (x4)**  
**SCREW - 1 1/4"**



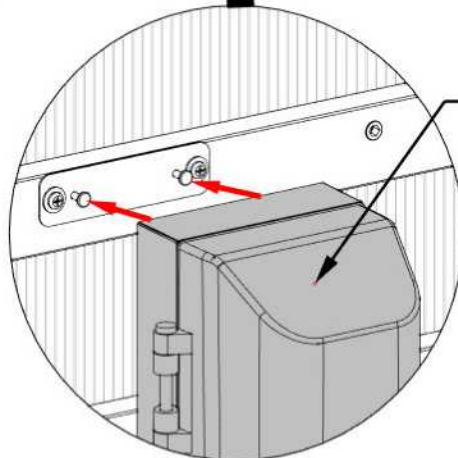
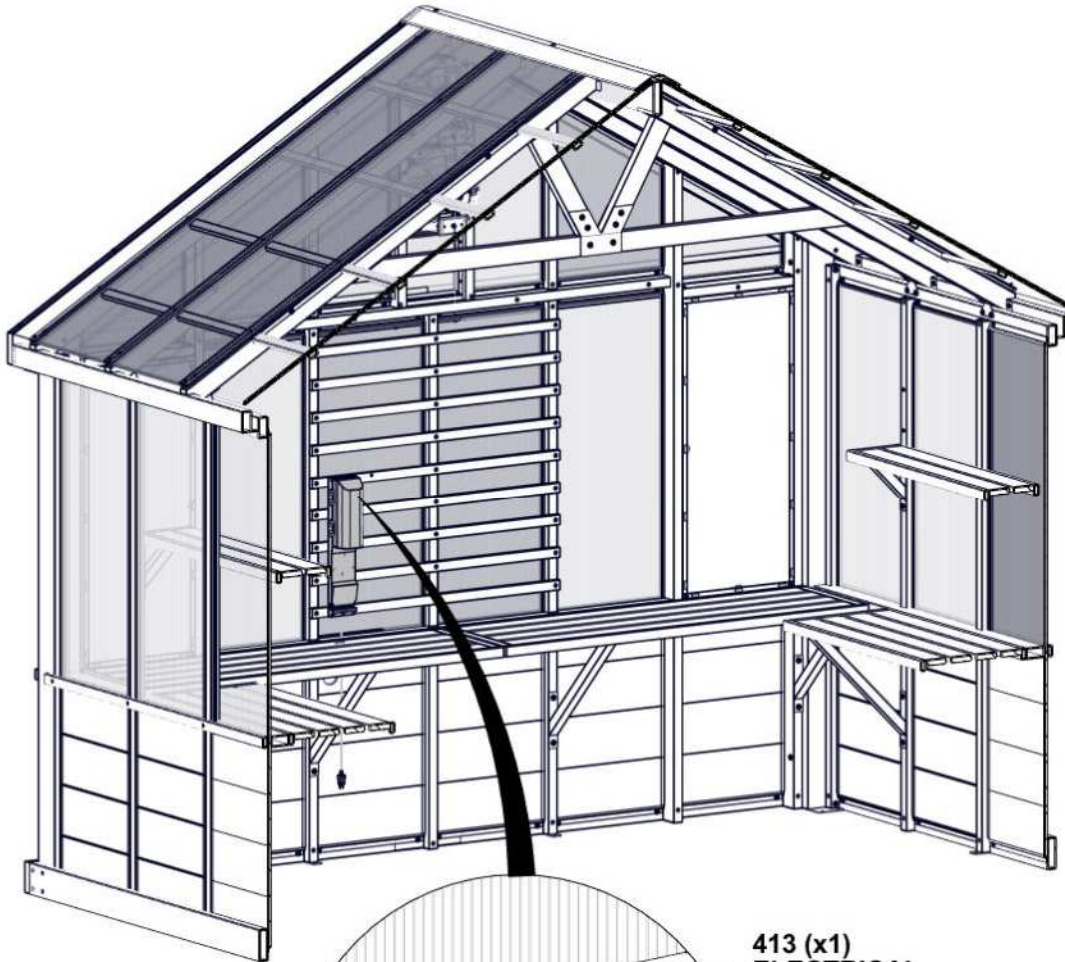
ONLY BACK OF GREENHOUSE SHOWN FOR DETAIL.

# STEP 169 - BACK WALL ASSEMBLY

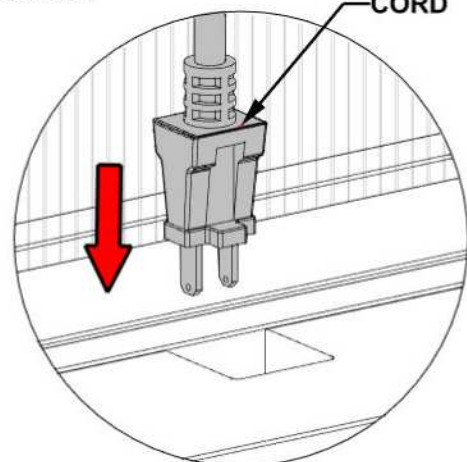


9205413 ELECTRICAL ENCLOSURE  
(x1)

- HANG ELECTRICAL ENCLOSURE ON THE MOUNTING BRACKETS,  
THEN RUN ELECTRICAL CORD THROUGH HOLE IN TABLE AS SHOWN.



413 (x1)  
ELECTRICAL  
ENCLOSURE



CORD

ONLY BACK OF GREENHOUSE SHOWN FOR DETAIL.

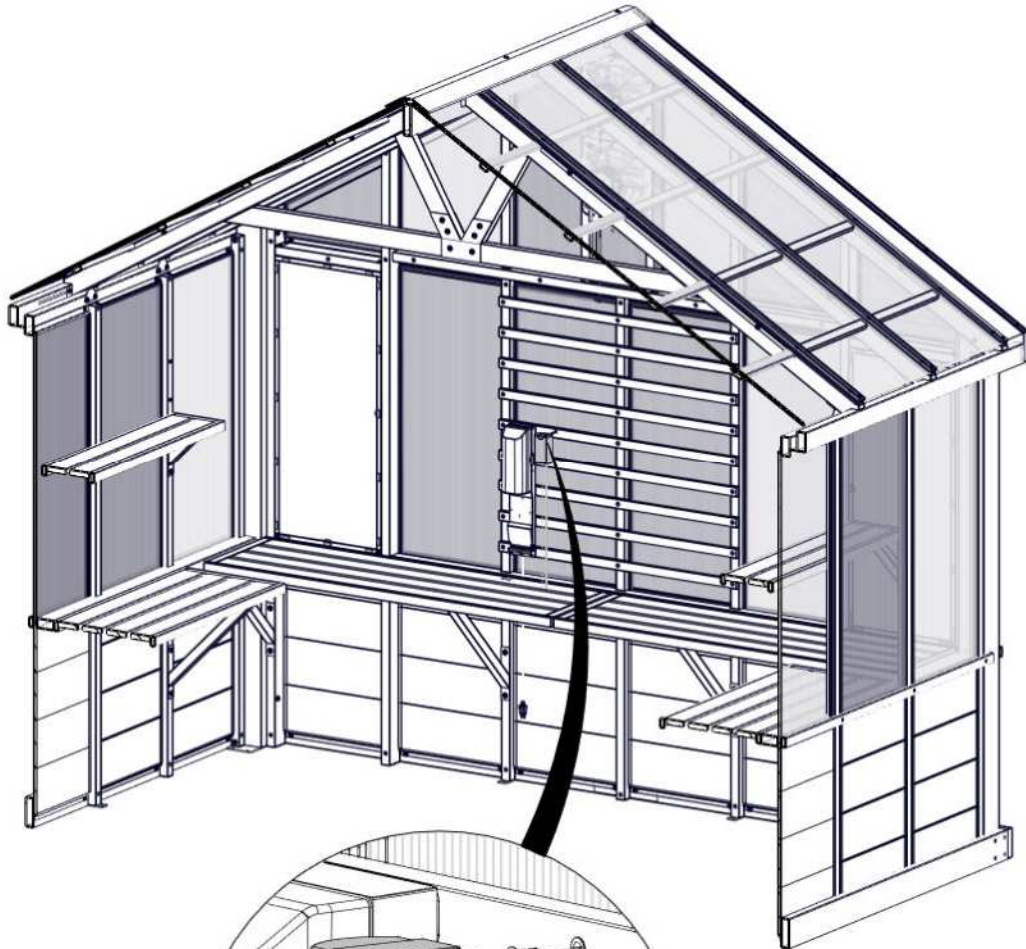
# STEP 170 - BACK WALL ASSEMBLY

QTY	PART NUMBER	DESCRIPTION
1	H101185	PHILLIPS FLAT HEAD 8-32x.5 SCREW



A6P00754 THERMOSTAT  
(x1)

- LOCATE THERMOSTAT IN A DESIRED LOCATION CLOSE TO THE ELECTRICAL ENCLOSURE.
- INSTALL SCREW LEAVING IT PARTIALLY STICKING OUT AND HANG THERMOSTAT.
- HANG THE PROBE IN AN ELEVATED LOCATION.
- SEE THERMOSTAT MANUAL FOR OPERATING INSTRUCTIONS.

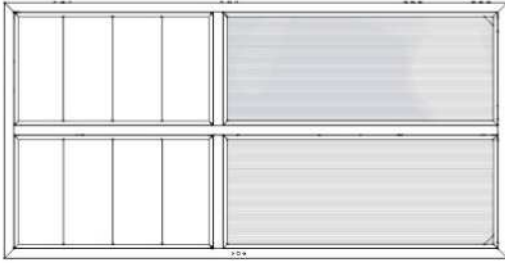


754 (x1)  
THERMOSTAT

1185 (x1)  
PHILLIPS FLAT HEAD  
8-32x.5 SCREW

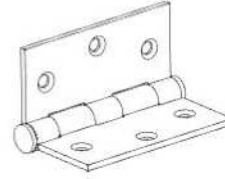
ONLY BACK OF GREENHOUSE SHOWN FOR DETAIL.

# STEP 171 - DOOR ASSEMBLY



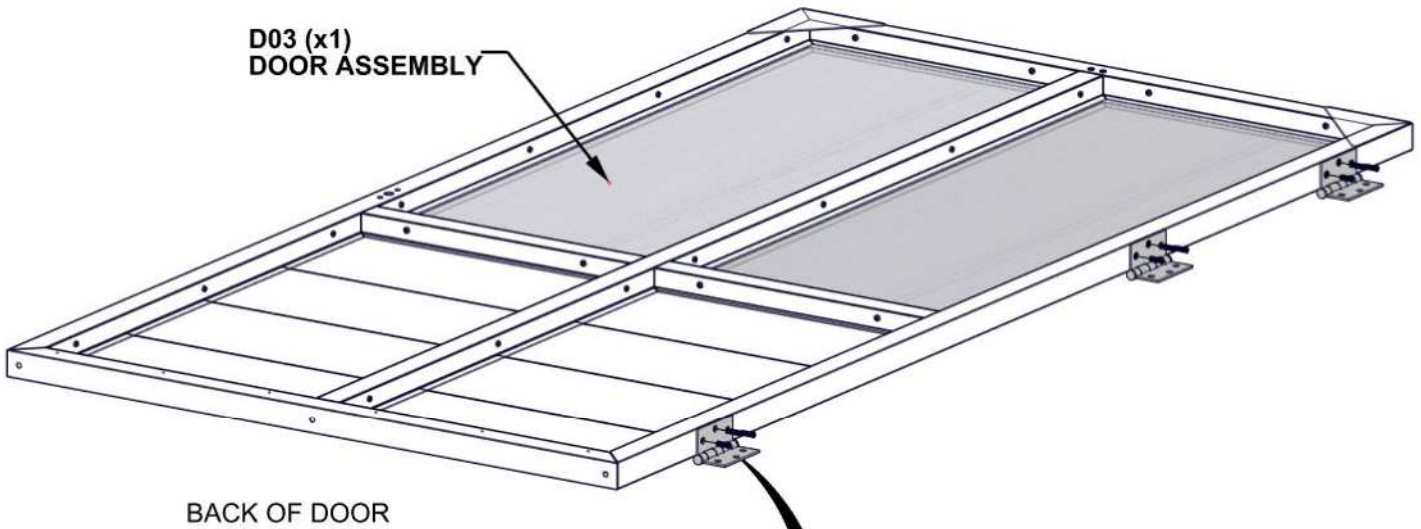
**D03 DOOR ASSEMBLY - A4M05026**  
 (x1) 1 9/16"x40 3/4"x80" (40x1035x2033)

QTY	PART NUMBER	DESCRIPTION
9	H101492	PHILLIPS FLAT HEAD 1/4-20x3/4"



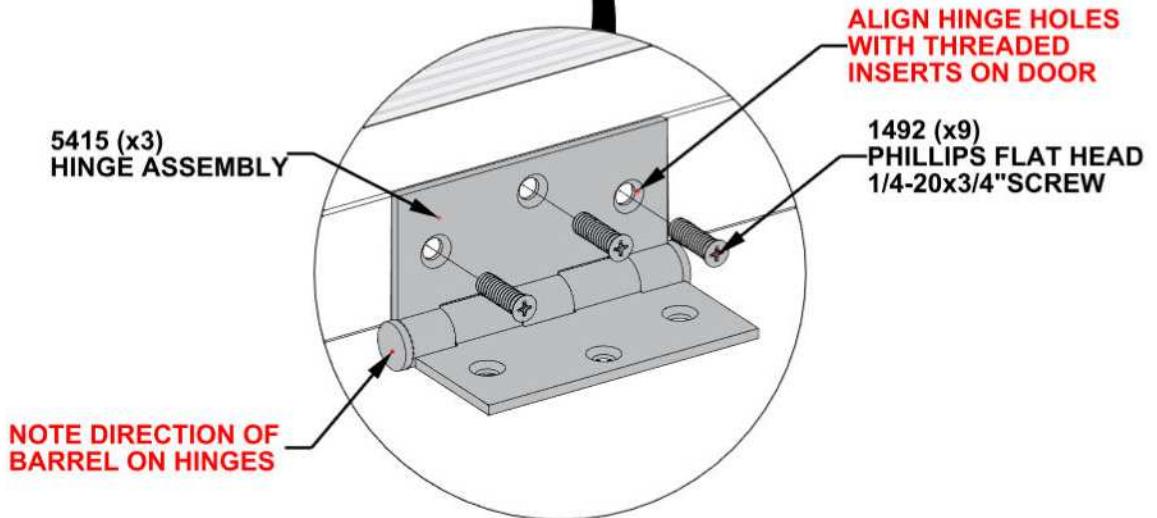
**A4M05415 HINGE ASSEMBLY**  
 (x3)

**WITH THE DOOR LAYING WITH THE BACK FACING UP AS SHOWN, ATTACH HINGES. CORRECT ORIENTATION OF HINGES IS CRITICAL.**



**D03 (x1) DOOR ASSEMBLY**

BACK OF DOOR



**ALIGN HINGE HOLES WITH THREADED INSERTS ON DOOR**

**5415 (x3) HINGE ASSEMBLY**

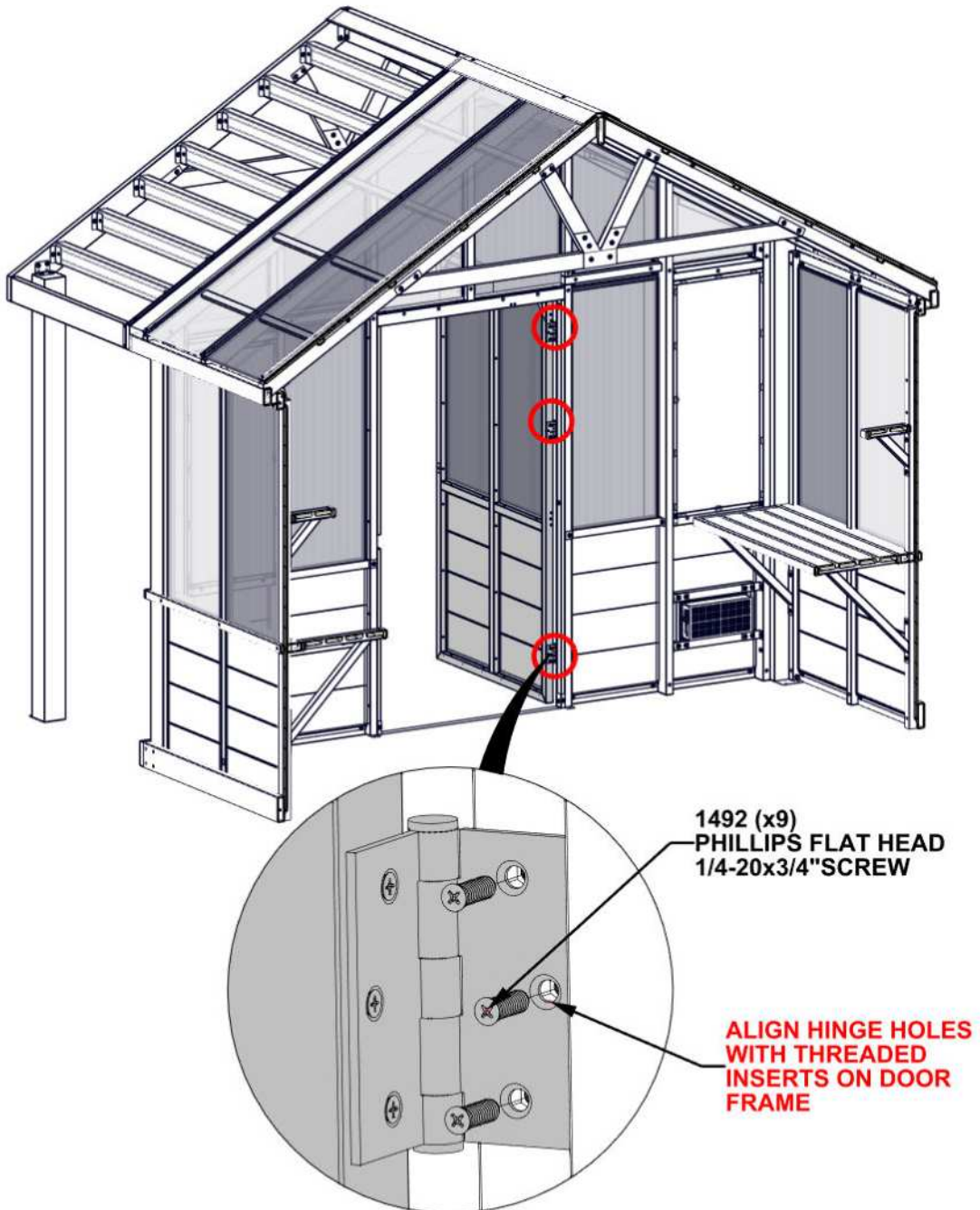
**1492 (x9) PHILLIPS FLAT HEAD 1/4-20x3/4" SCREW**

**NOTE DIRECTION OF BARREL ON HINGES**

# STEP 172 - DOOR ASSEMBLY

QTY	PART NUMBER	DESCRIPTION
9	H101492	PHILLIPS FLAT HEAD 1/4-20x3/4"

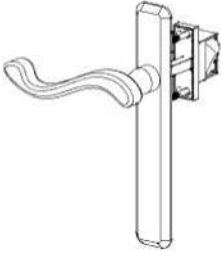
- LIFT DOOR INTO PLACE AND ATTACH AS SHOWN.



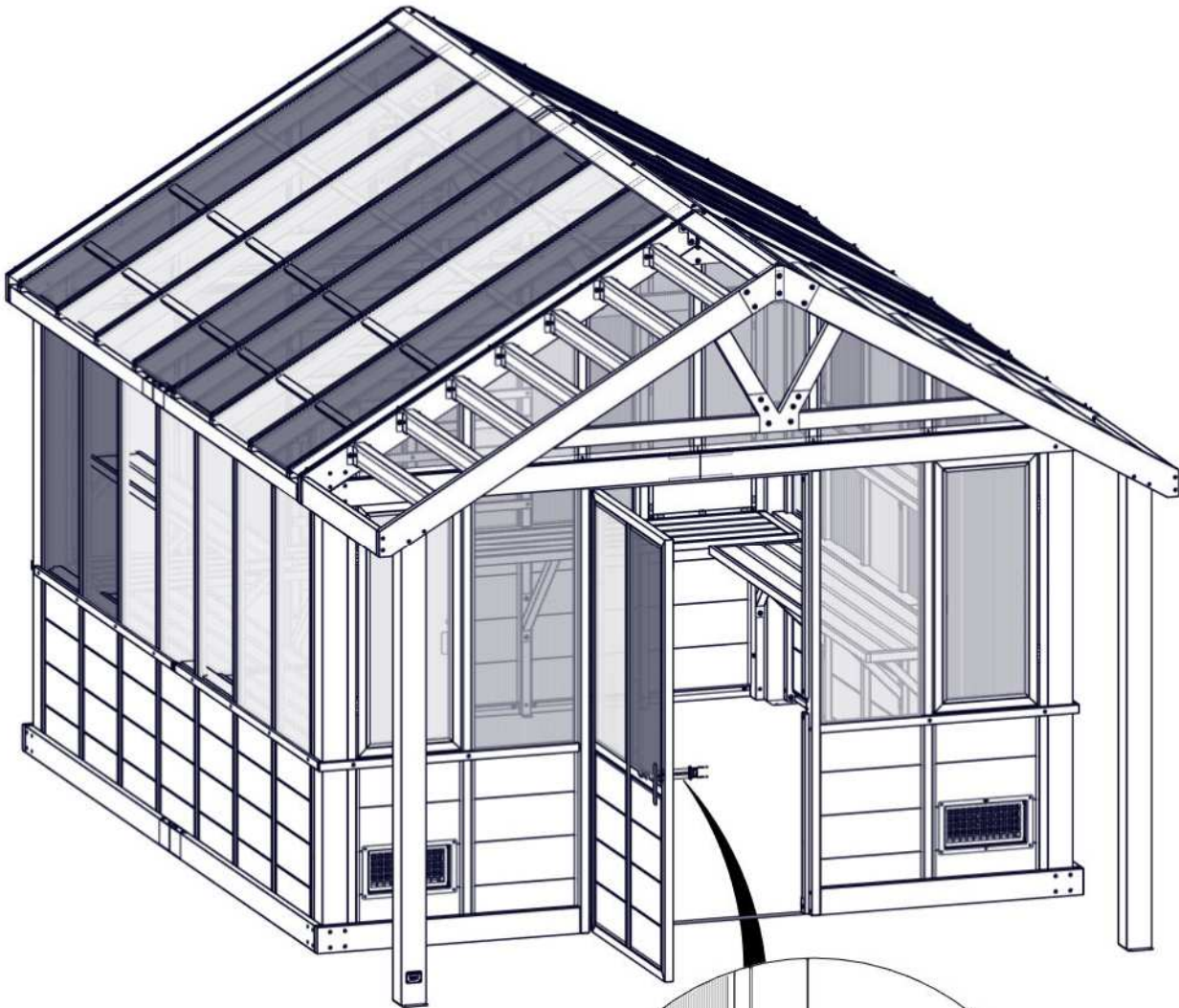
ONLY FRONT OF GREENHOUSE SHOWN FOR DETAIL.

# STEP 173 - DOOR ASSEMBLY

QTY	PART NUMBER	DESCRIPTION
2	H101479	SCREW POH SS (46mm)



5309 STORM DOOR HANDLE - A4M05309  
(x1) 7 1/2"x5"x3 1/8" (79x127.2x190.5)



5309 (x1)  
STORM DOOR HANDLE

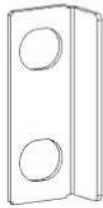
ENSURE CORRECT ORIENTATION  
OF DOOR HANDLE AS SHOWN.

1479 (x2)  
SCREW POH SS (46mm)

**USE SCREWDRIVER. DO  
NOT OVERTIGHTEN**

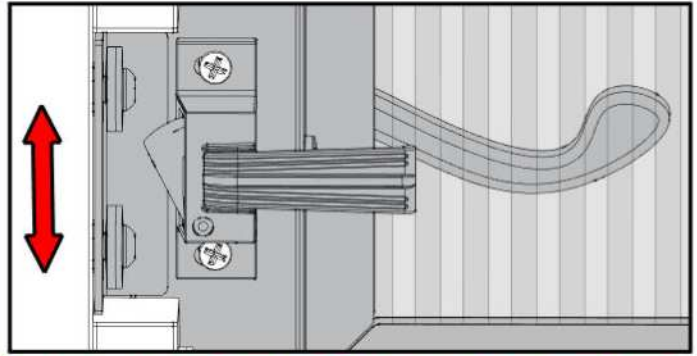
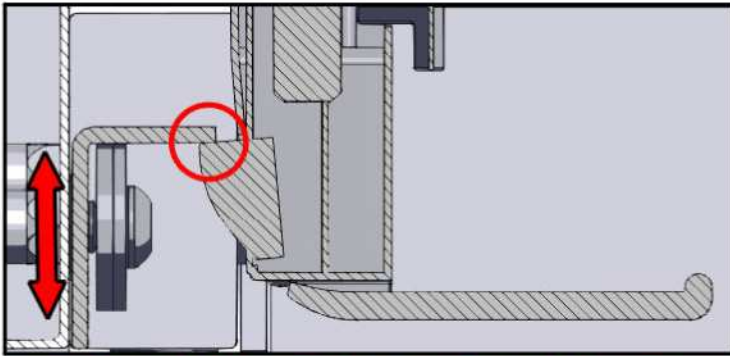
# STEP 174 - DOOR ASSEMBLY

QTY	PART NUMBER	DESCRIPTION
2	H101202	TORX PAN HEAD 1/4-20x3/4 ASSY



A4M05309-01 DOOR LATCH  
(x1)

INCLUDED WITH THE DOOR HANDLE

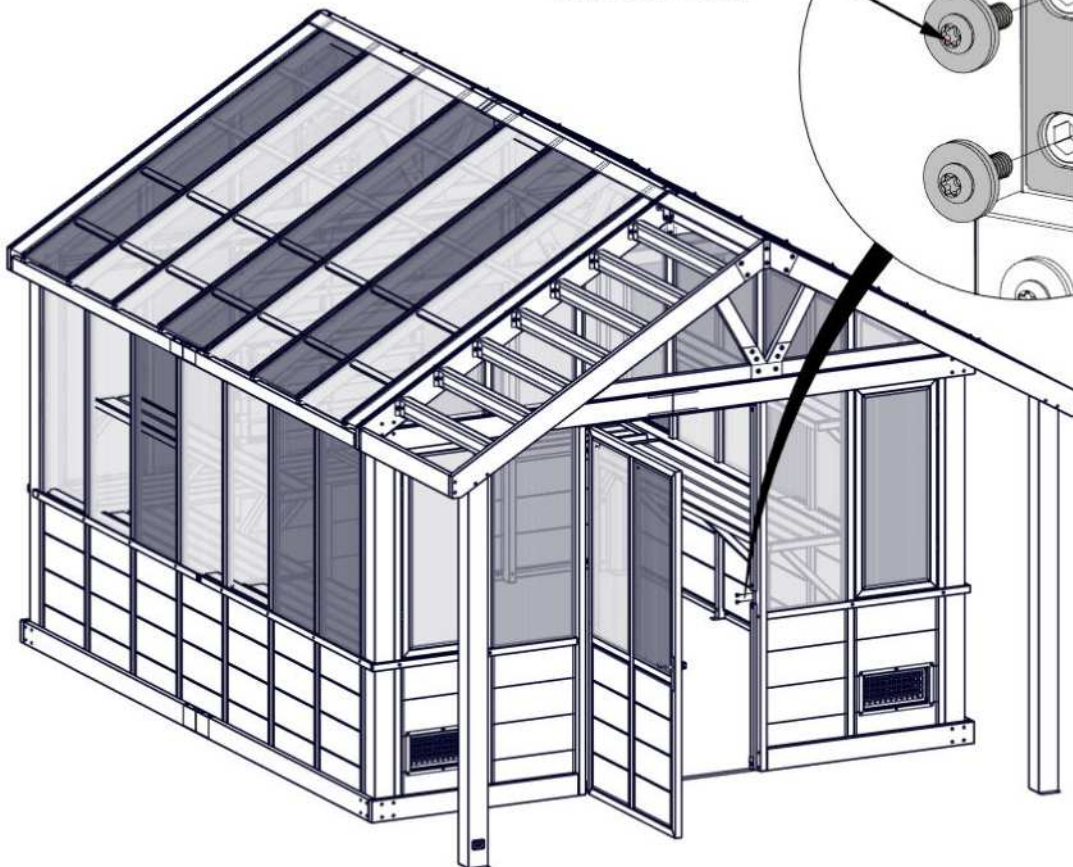
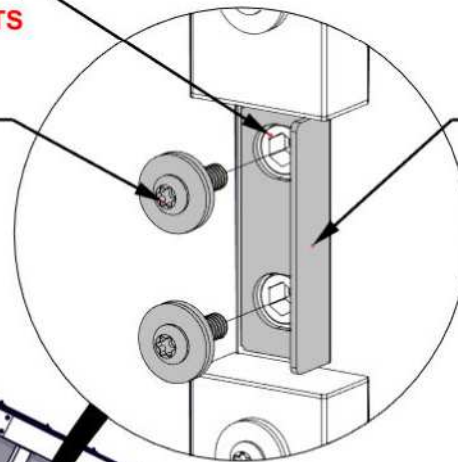


**WITH THE DOOR SHUT, POSITION THE DOOR LATCH AS SHOWN. ADJUST FRONT TO BACK TO ENSURE THE LATCH MAKES CONTACT AS SHOWN. ADJUST UP AND DOWN TO ENSURE THE LATCH IS CENTERED WITH THE HANDLE AS SHOWN.**

**DOOR LATCH HOLE  
WILL FIT AROUND  
THREADED INSERTS**

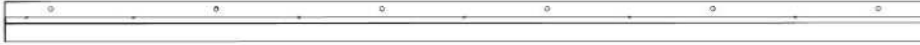
1202 (x2)  
TORX PAN HEAD  
1/4-20x3/4 ASSY

5309-01 (x1)  
DOOR LATCH

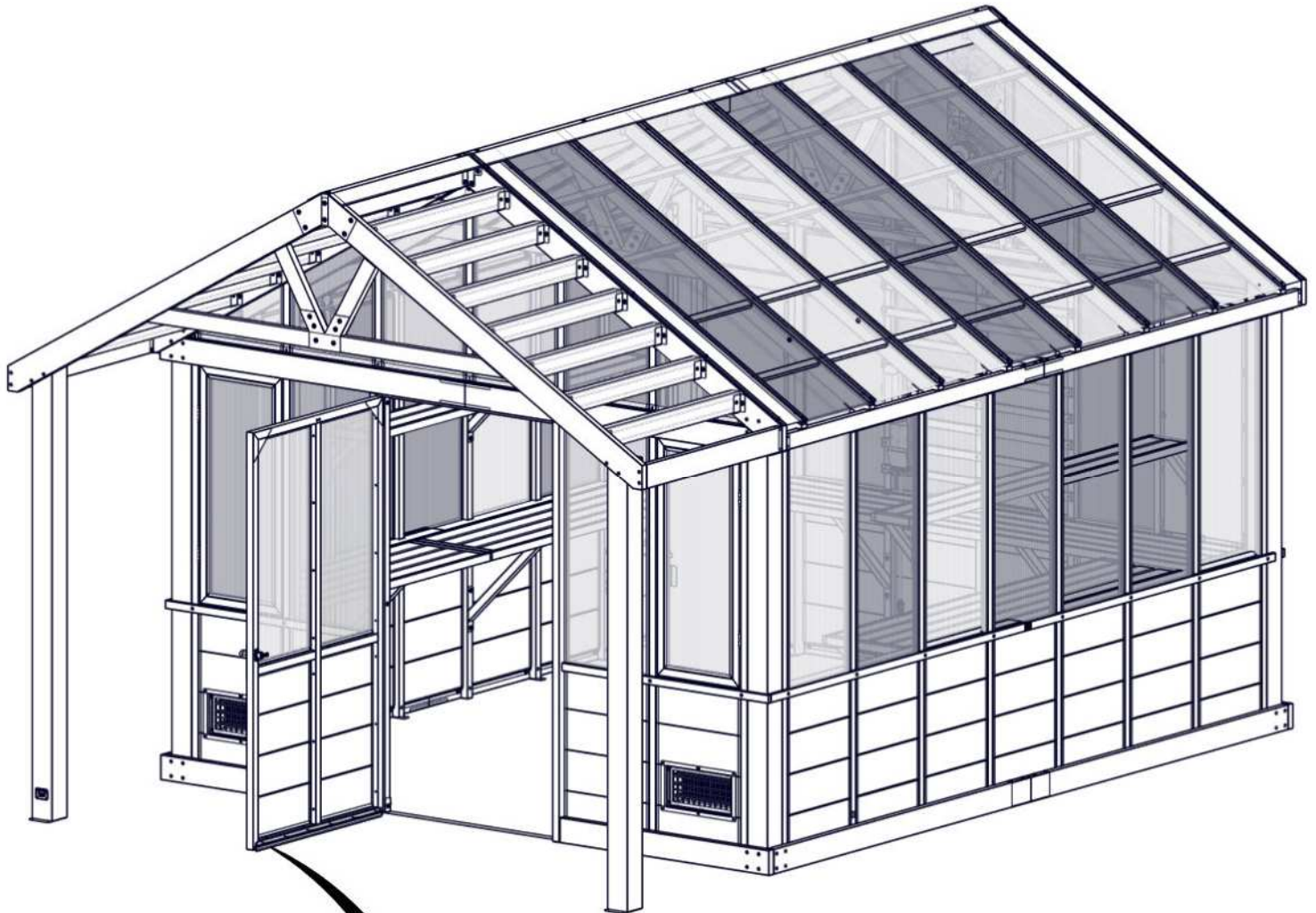


# STEP 175 - DOOR ASSEMBLY

QTY	PART NUMBER	DESCRIPTION
6	H101159	PHILLIPS ROUND HEAD 8-18x.5



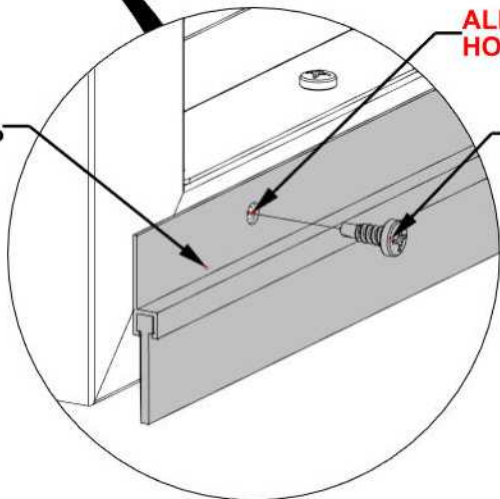
5569 DOOR SWEEP - A4M05569  
(x1) 1/4"X1 11/16"X39 3/8" (6x43x1000)



5569 (x1)  
DOOR SWEEP

ALIGN SCREW  
HOLES

1159 (x6)  
PHILLIPS ROUND  
HEAD 8-18x.5

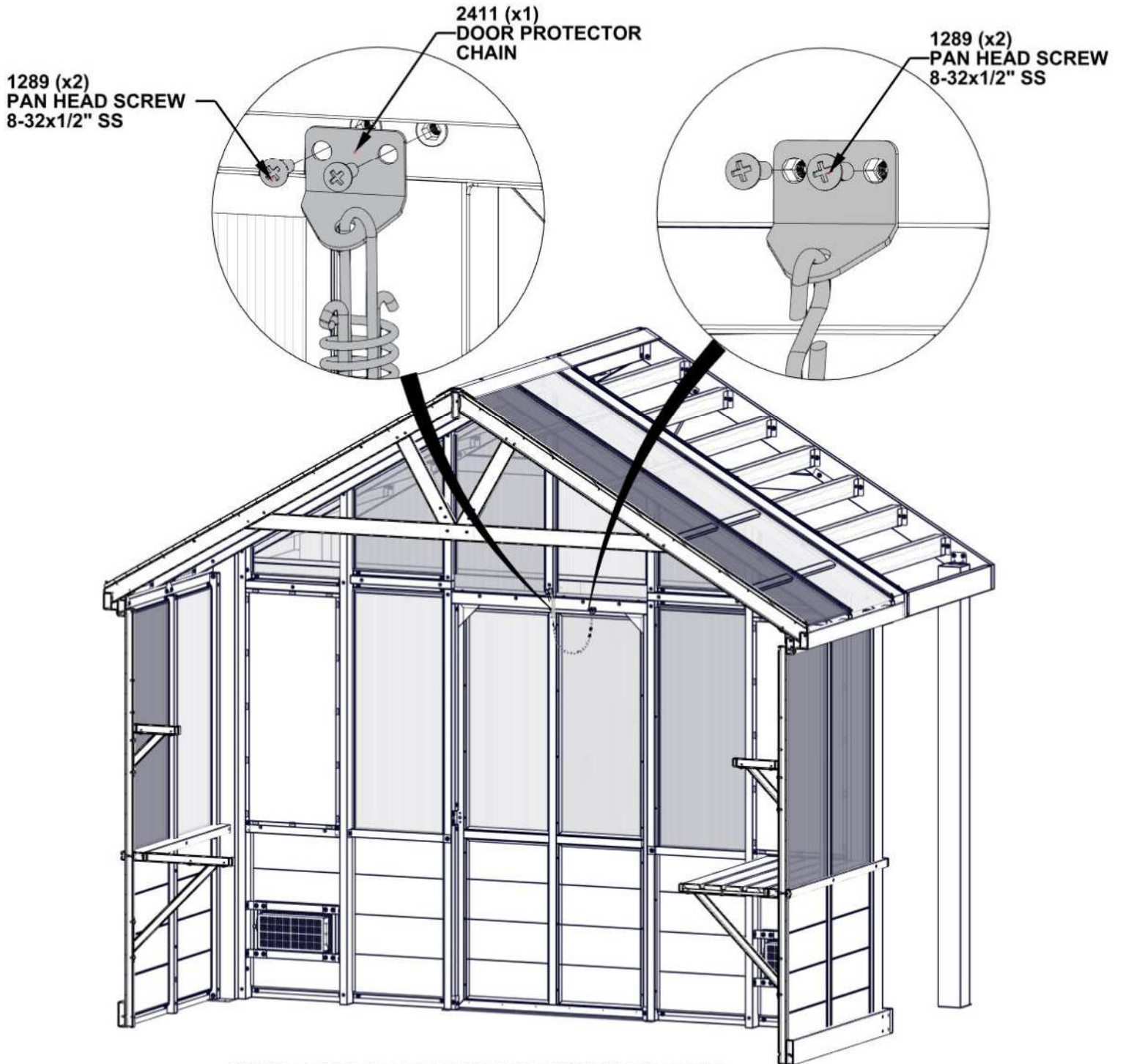


# STEP 176 - DOOR ASSEMBLY

QTY	PART NUMBER	DESCRIPTION
4	H101289	PAN HEAD SCREW 8-32x1/2" SS

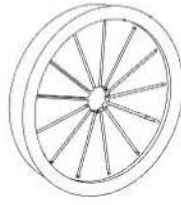


A4M02411 DOOR PROTECTOR CHAIN  
(x1)

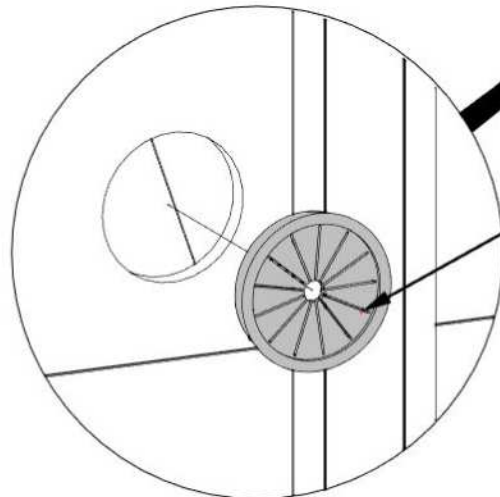
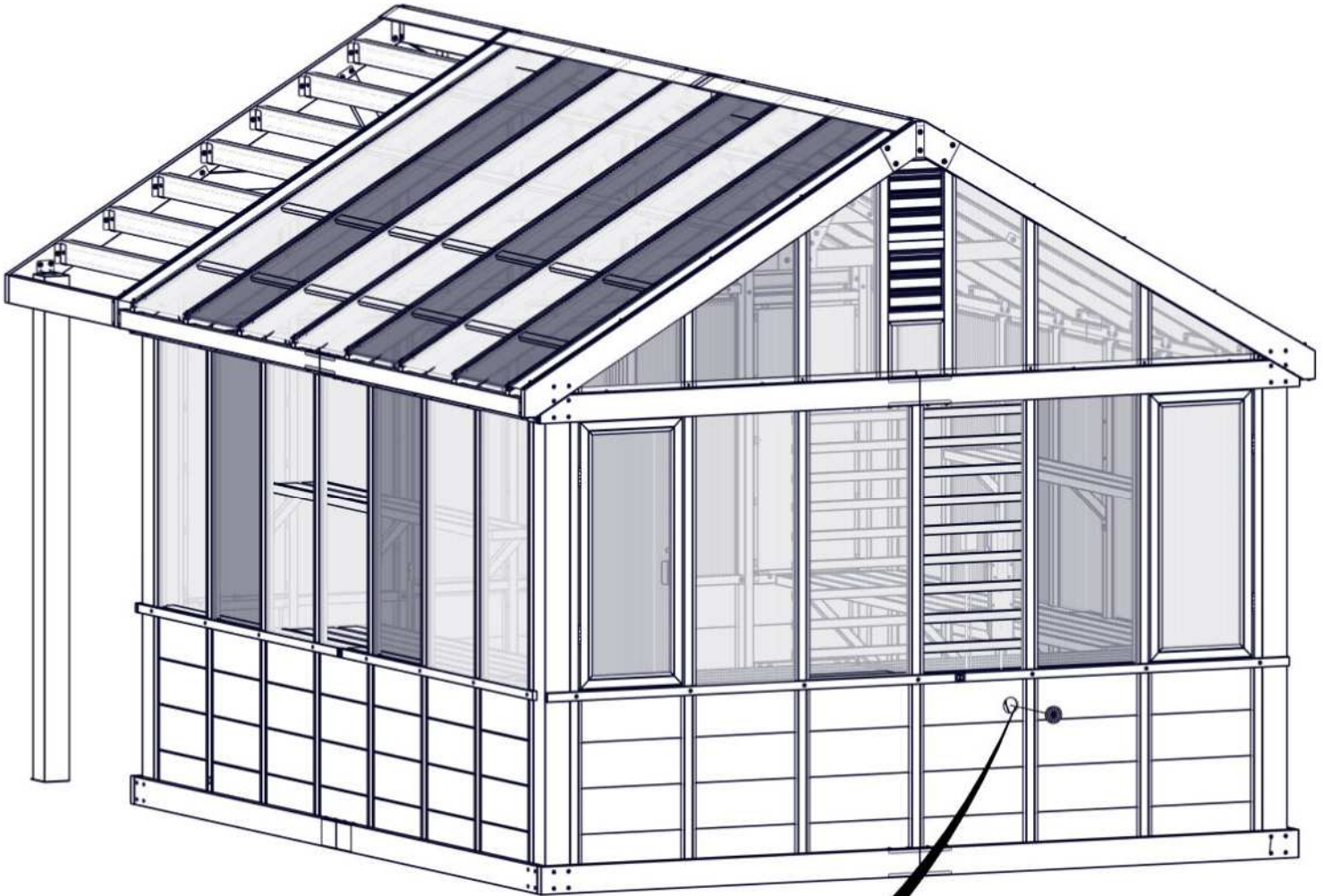


ONLY FRONT OF GREENHOUSE SHOWN FOR DETAIL.

# STEP 177 - BACK WALL ASSEMBLY

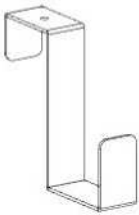


A6P00692 CORD GROMMET  
(x1)



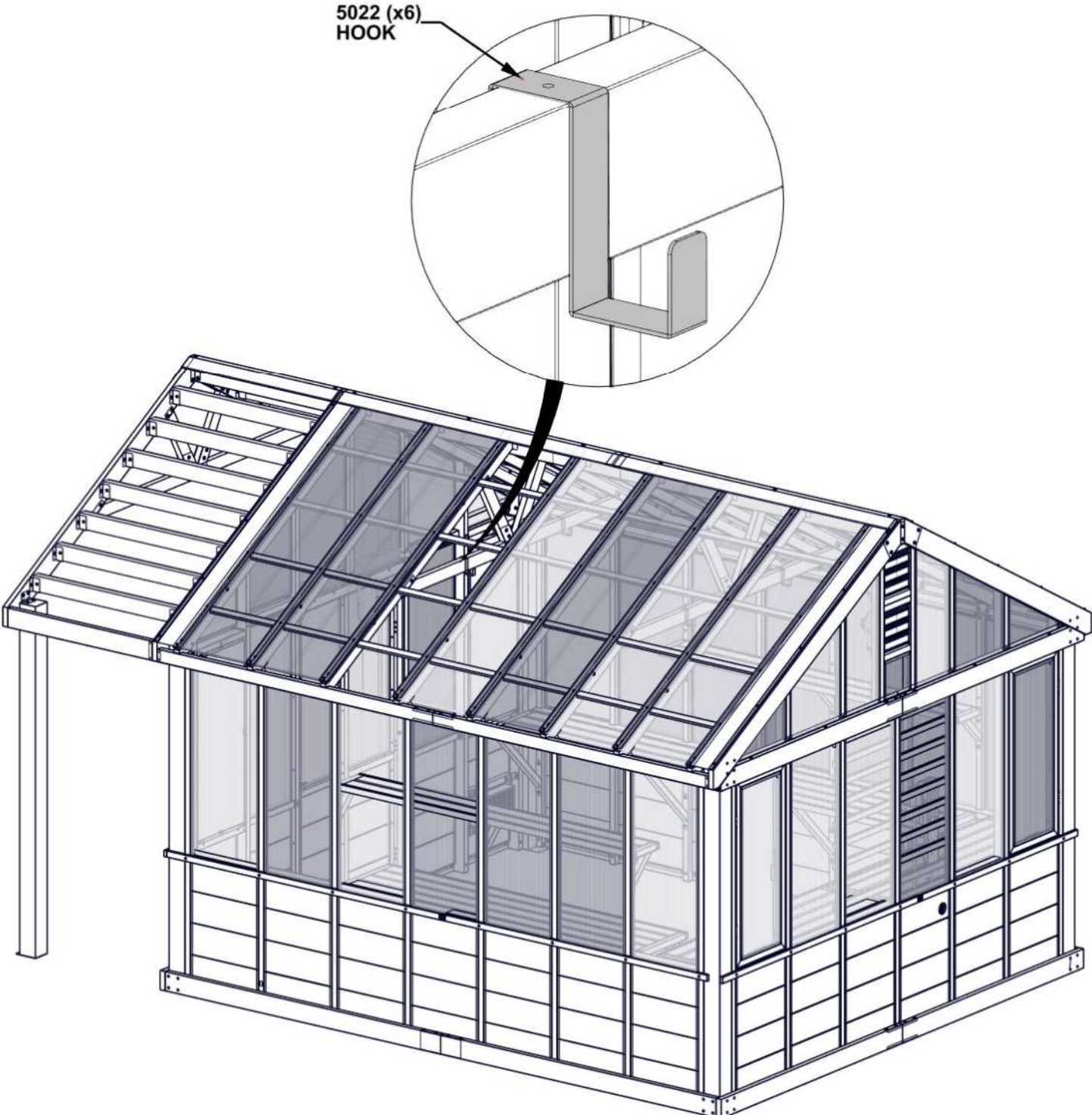
692 (x1)  
CORD GROMMET

# STEP 178 - PLANTER HOOKS

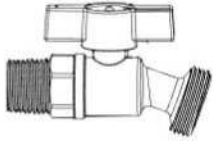


A4M05022 HOOK  
(x6)

- INSTALL PLANT HOOKS ON INTERIOR RAFTERS OR ON PERGOLA AS DESIRED.



# STEP 179 - WATER LINE ASSEMBLY



A4M02384 HOSE FAUCET  
(x1)



A6P00646 ELBOW 1/2" NPT  
(x2)



A6P01459 THREADED PIPE CONNECTOR  
(x1)

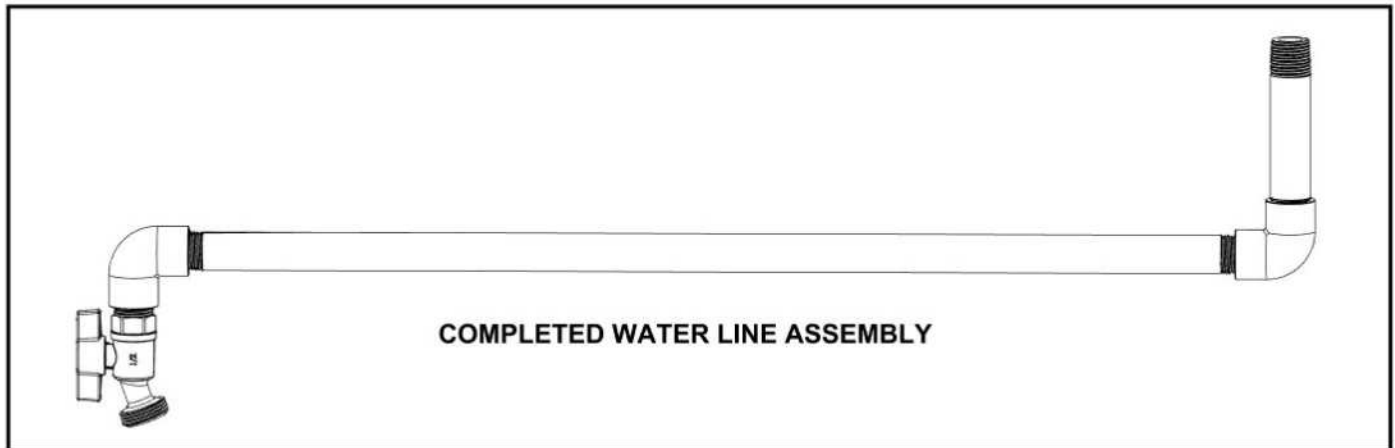
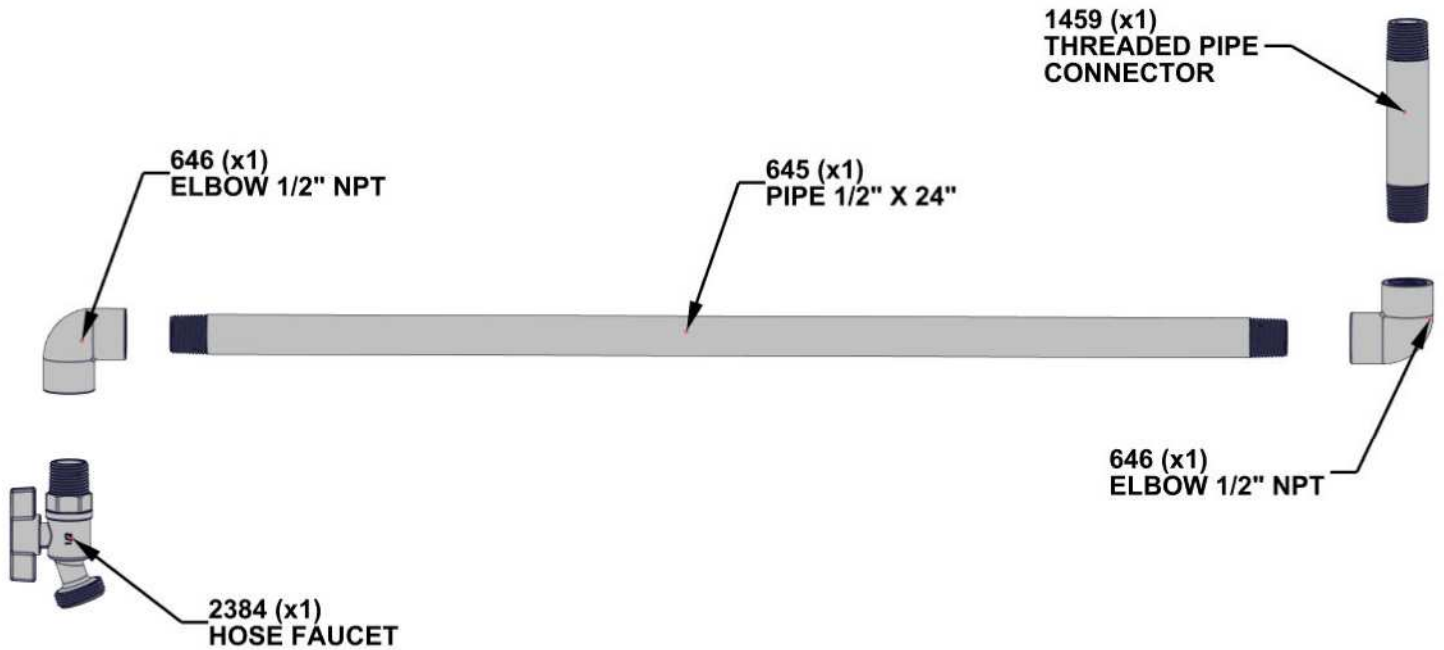


A6P00809 PLUMBERS TAPE



A6P00645 PIPE 1/2" X 24"  
(x1)

- USE PLUMBERS TAPE AND WRAP THREADS OF MALE FITTINGS.
- FASTEN FITTINGS TO FORM THE COMPLETED WATER LINE ASSEMBLY BELOW.

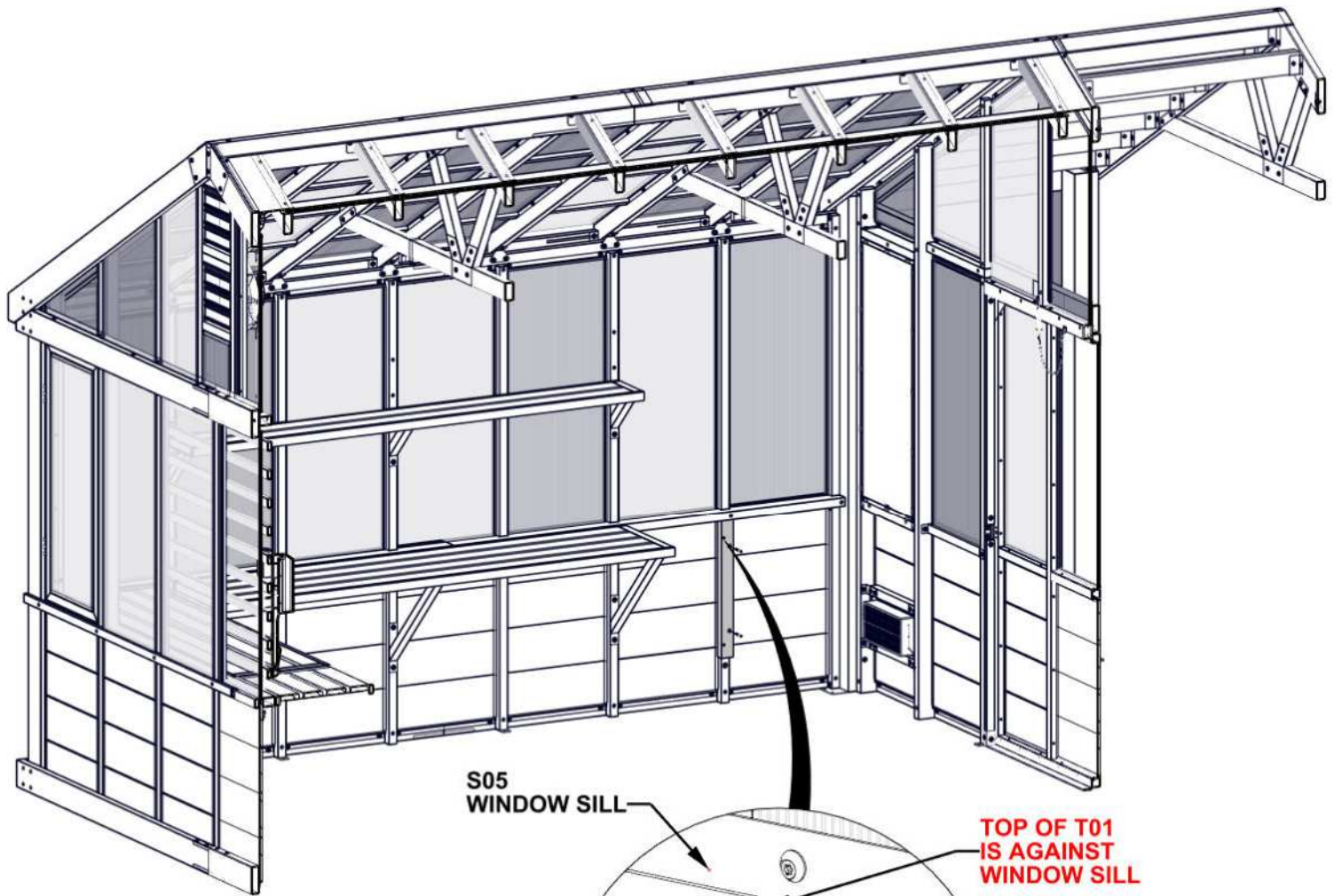


# STEP 180 - WATER LINE ASSEMBLY

QTY	PART NUMBER	DESCRIPTION
2	H101103	TORX SOCKET SCREW 1/4-20



T01 SPIGOT TUBE - A4M05323  
(x1) 24 1/2"x2 3/8"x1 9/16" (40x60x622)



S05 WINDOW SILL

TOP OF T01 IS AGAINST WINDOW SILL

T01 (x1) SPIGOT TUBE

1103 (x2) TORX SOCKET SCREW 1/4-20

ALIGN SCREW HOLES

ONLY RIGHT SIDE OF GREENHOUSE SHOWN FOR DETAIL.

# STEP 181A - WATER LINE ASSEMBLY

QTY	PART NUMBER	DESCRIPTION
2	H101287	PAN HEAD SCREW 8-32x1" SS

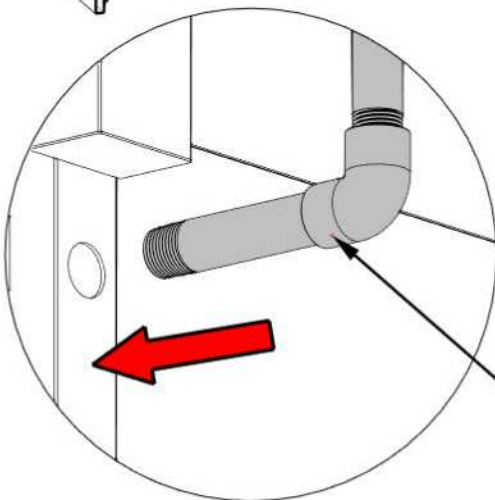
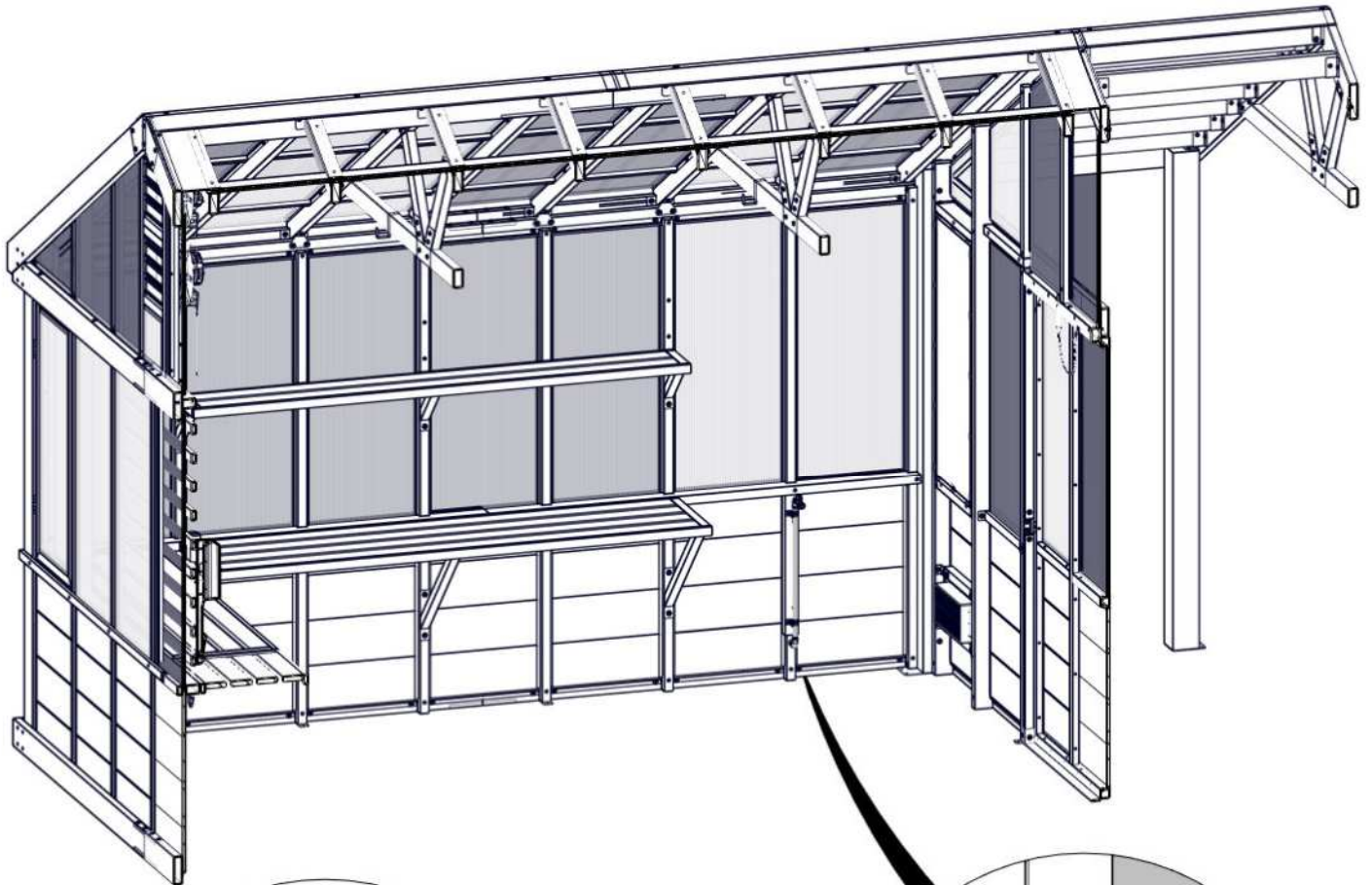


WATER LINE ASSEMBLY FROM STEP 179



A4M02385 PIPE CLAMP  
(x2)

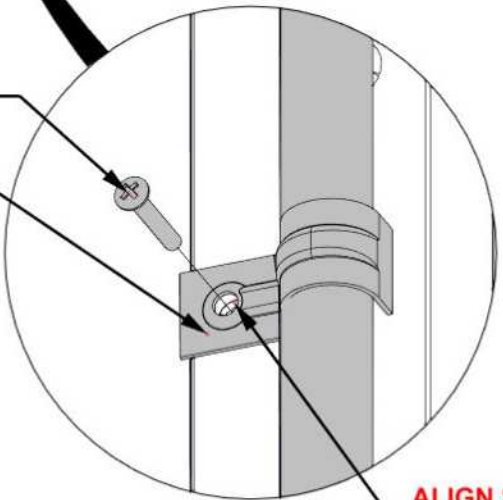
- INSERT WATER LINE ASSEMBLY THROUGH HOLE IN WALL PANEL.
- SECURE WATER LINE TO SPIGOT TUBE FROM PREVIOUS STEP WITH PIPE CLAMPS.



1287 (x2)  
PAN HEAD SCREW  
8-32x1" SS

2385 (x2)  
PIPE CLAMP

WATER LINE  
ASSEMBLY  
FROM STEP 179



**ALIGN SCREW HOLES**

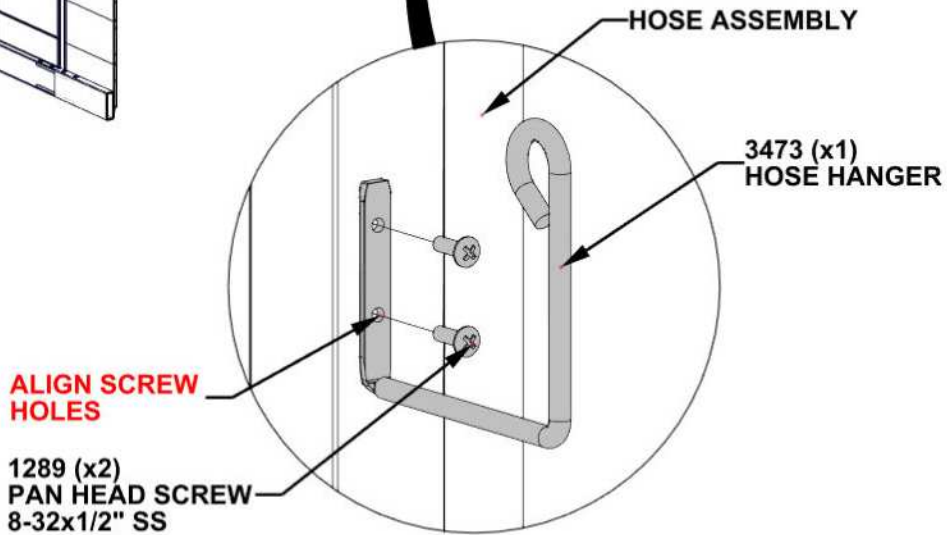
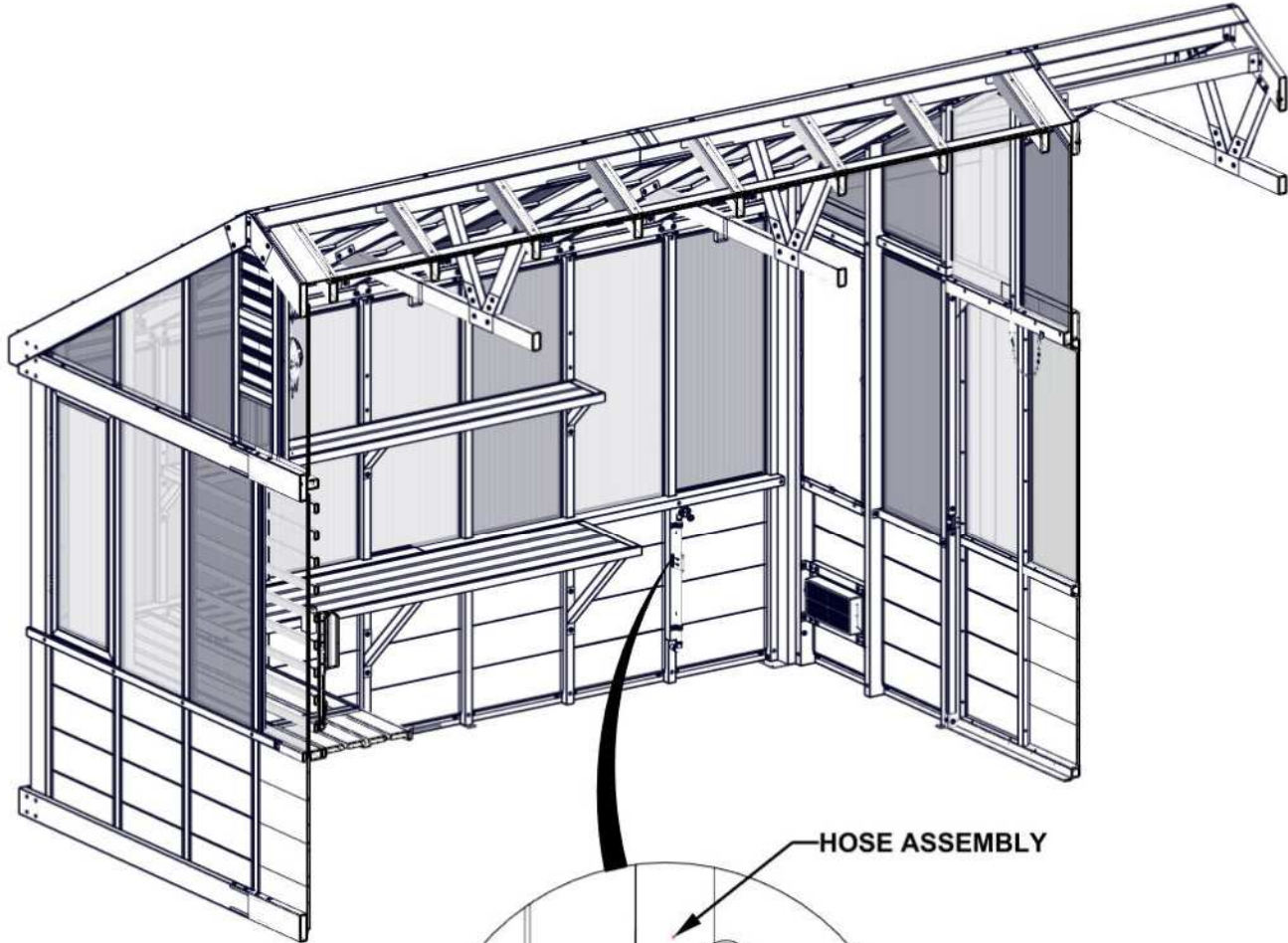
ONLY RIGHT SIDE OF GREENHOUSE SHOWN FOR DETAIL.

# STEP 181B - WATER LINE ASSEMBLY

QTY	PART NUMBER	DESCRIPTION
2	H101289	PAN HEAD SCREW 8-32x1/2" SS

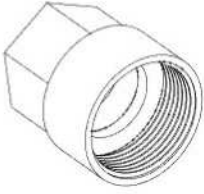


A4M03473 HOSE HANGER  
(x1)

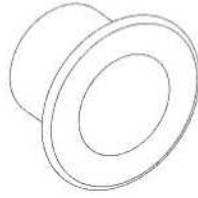


ONLY RIGHT SIDE OF GREENHOUSE SHOWN FOR DETAIL.

# STEP 182 - WATER LINE ASSEMBLY



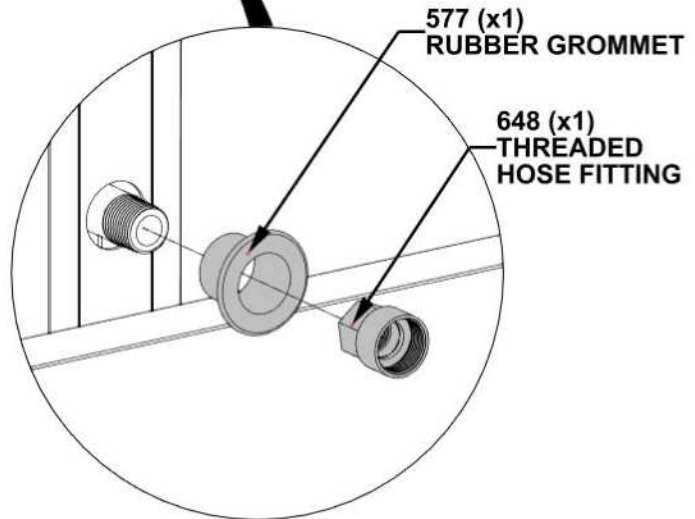
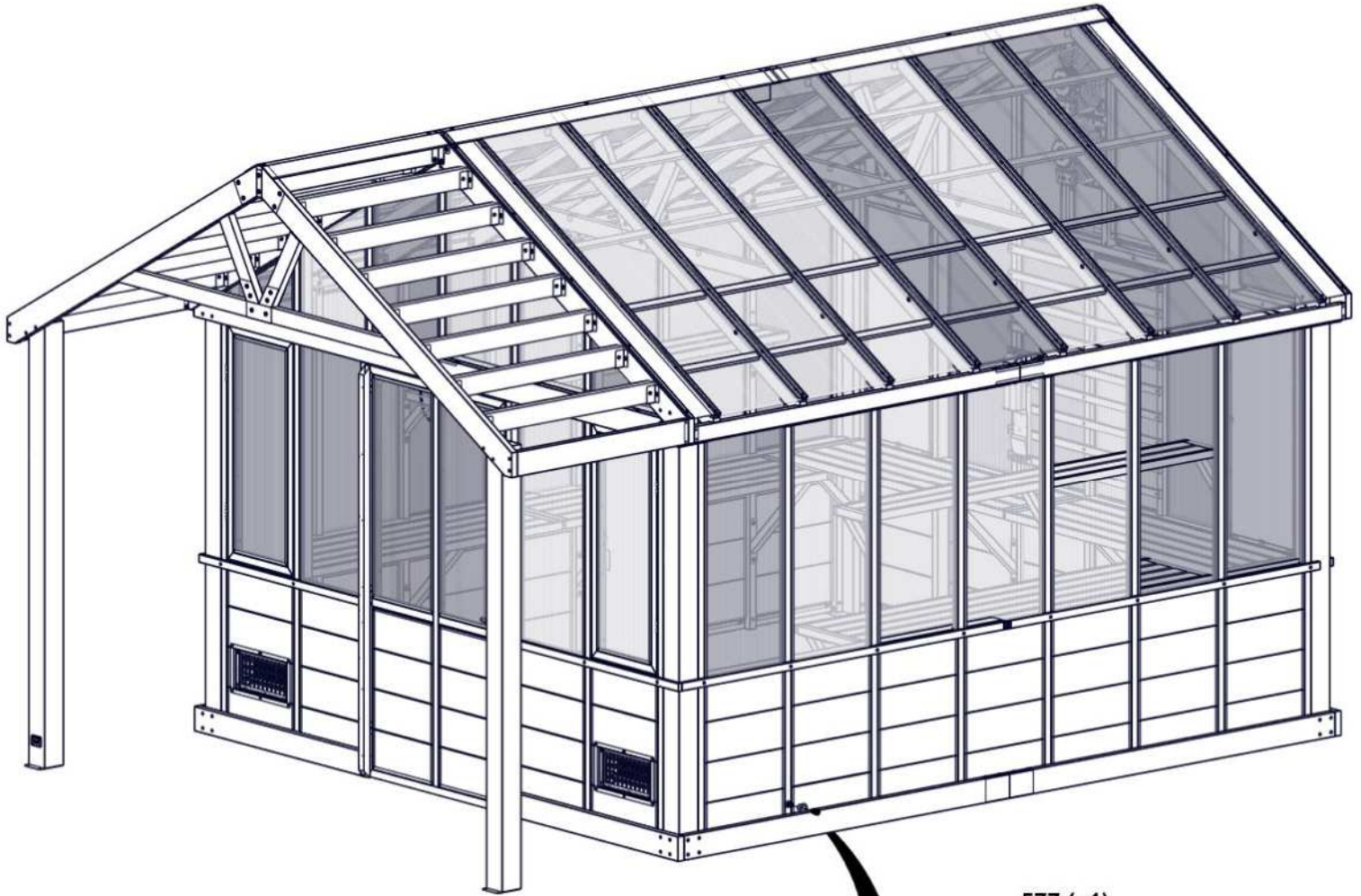
A6P00648 THREADED HOSE FITTING  
(x1)



A6P00577 RUBBER GROMMET  
(x1)



A6P00809 PLUMBERS TAPE



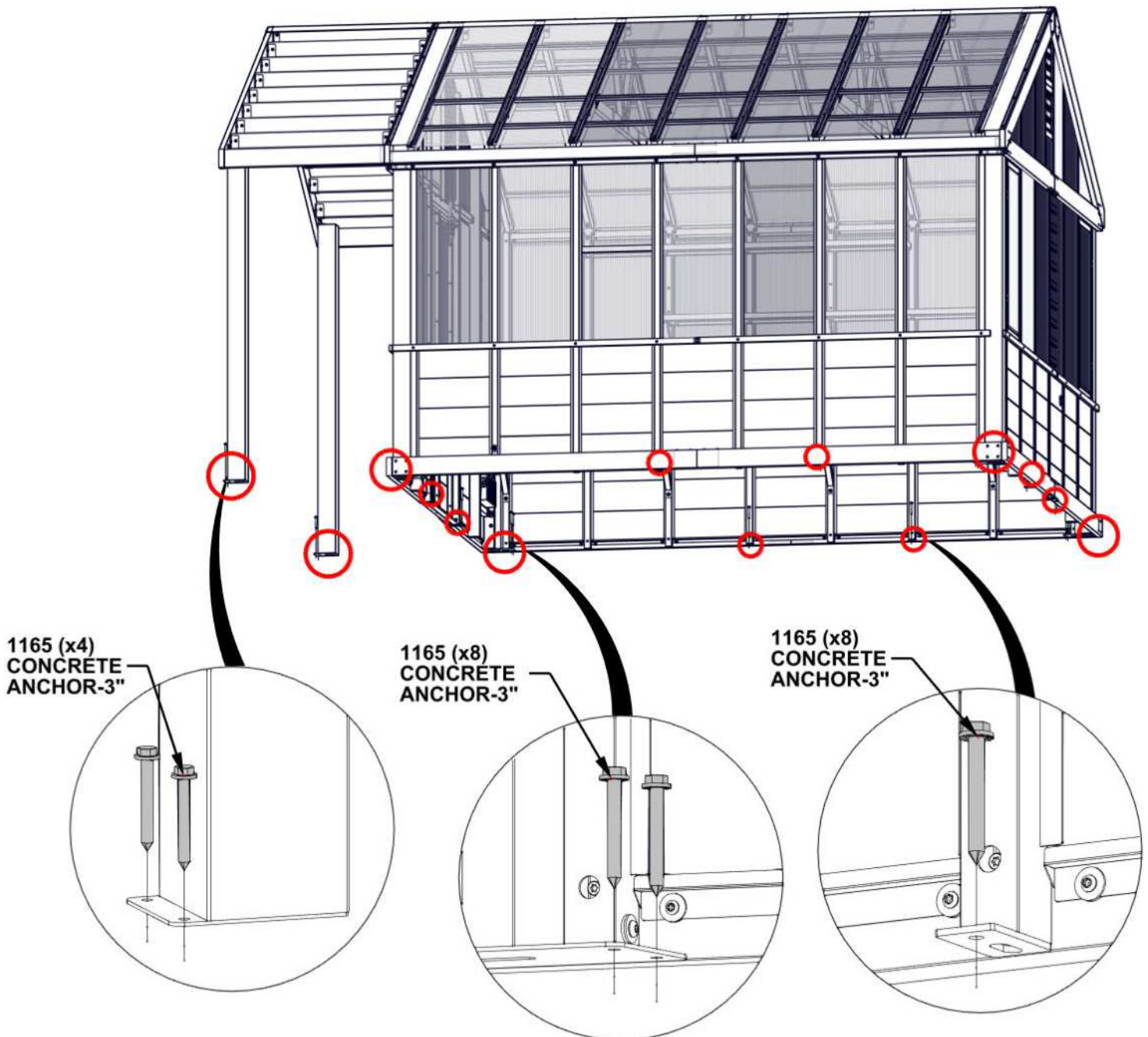
**INSTALL RUBBER GROMMET  
BEFORE THREADED HOSE FITTING.**

# STEP 183A - ANCHORING TO CONCRETE

QTY	PART NUMBER	DESCRIPTION
20	H101165	CONCRETE ANCHOR 3/8"x3" BLK

**IF GREENHOUSE IS NOT ON A CONCRETE SURFACE, SEE STEP 183B FOR ANCHORING STRUCTURE. IT IS RECOMMENDED TO ANCHOR YOUR GREENHOUSE INTO CONCRETE PADS OR POSTS.**

- MANUFACTURER RECOMMENDS INSTALLATION ON CONCRETE SURFACE OR CONCRETE POST PADS. SEE BELOW.
- FOR INSTALLATION ON WOOD DECKS, YOU MUST ENSURE THERE IS AMPLE STRUCTURAL SUPPORT UNDER DECK.
- PRE-DRILL HOLES FOR CONCRETE ANCHORS USING A 5/16" [8mm] CONCRETE DRILL BIT

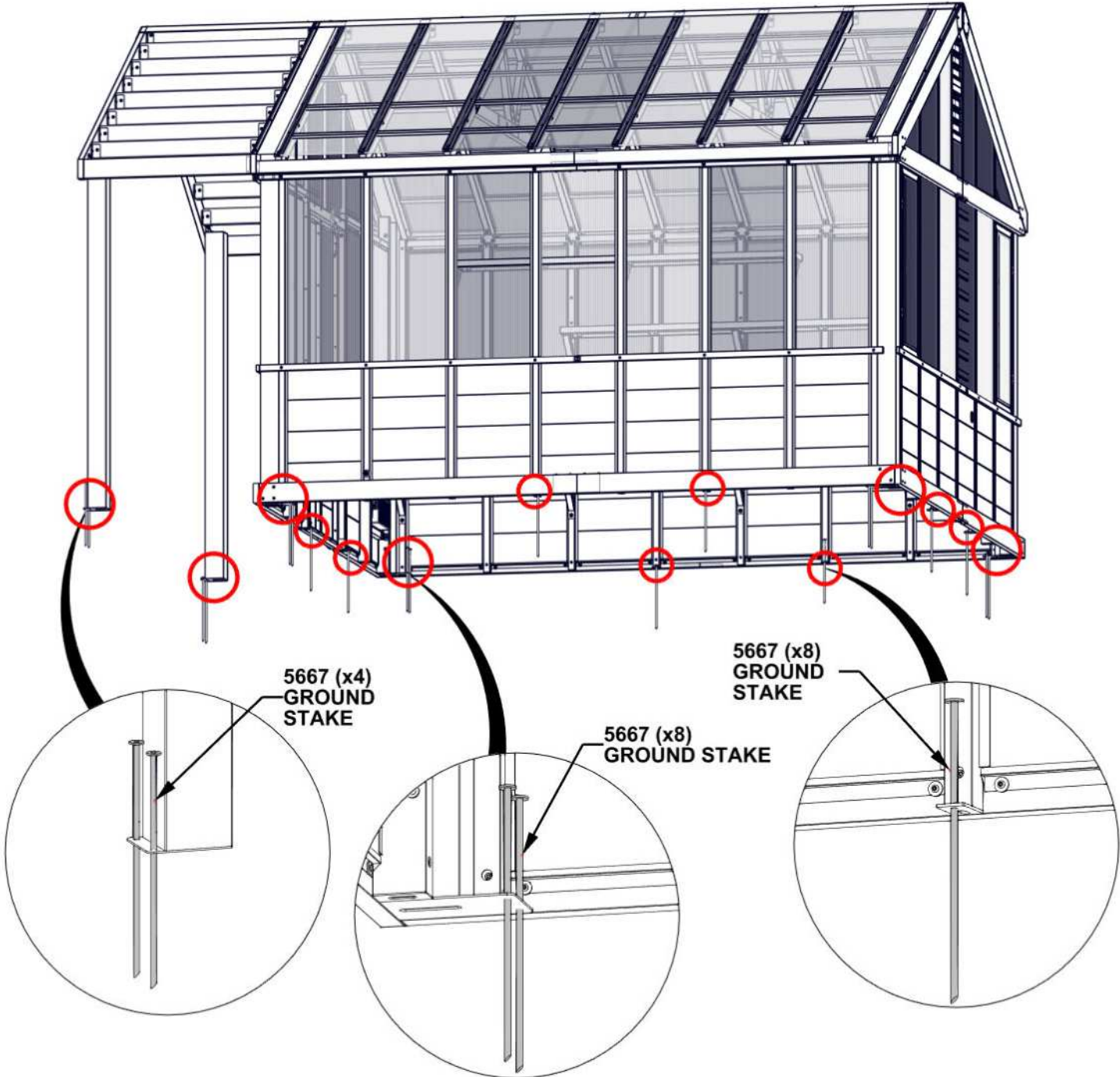


# STEP 183B - ANCHORING IN GROUND



A4M05667 GROUND STAKE  
(x20)

IF GREENHOUSE IS ON A CONCRETE SURFACE, SEE STEP 183A FOR ANCHORING STRUCTURE.

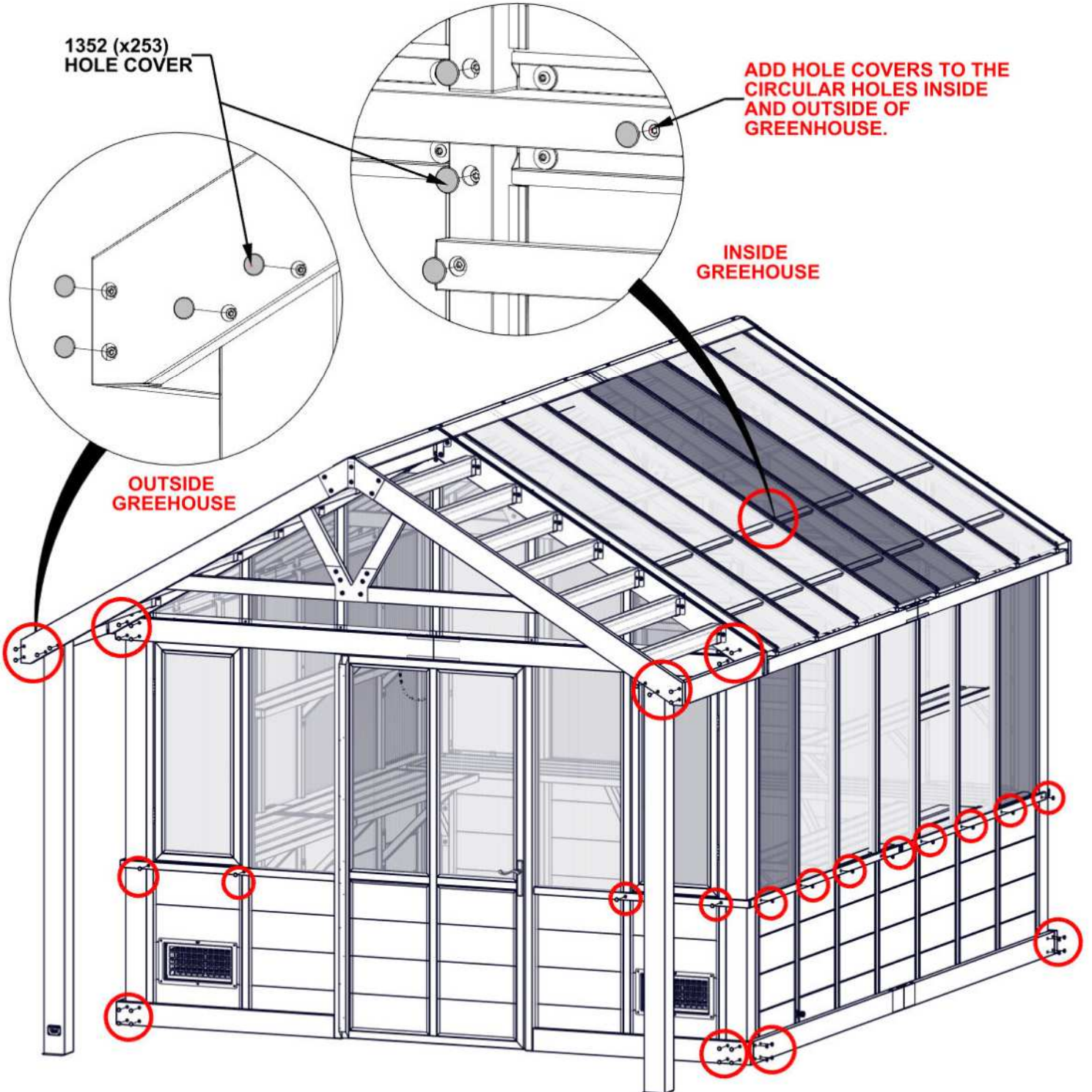


# STEP 184 - HOLE COVER ASSEMBLY



A4M01352 HOLE COVER  
(x253)

- USE A SMALL PIECE OF WOOD AND RUBBER Mallet TO TAP HOLE COVERS IN.
- DO NOT TAP DIRECTLY WITH A HAMMER AS YOU MAY DAMAGE THE POWDER COAT FINISH ON PRODUCT.



# STEP 185 - APPLY SILICONE



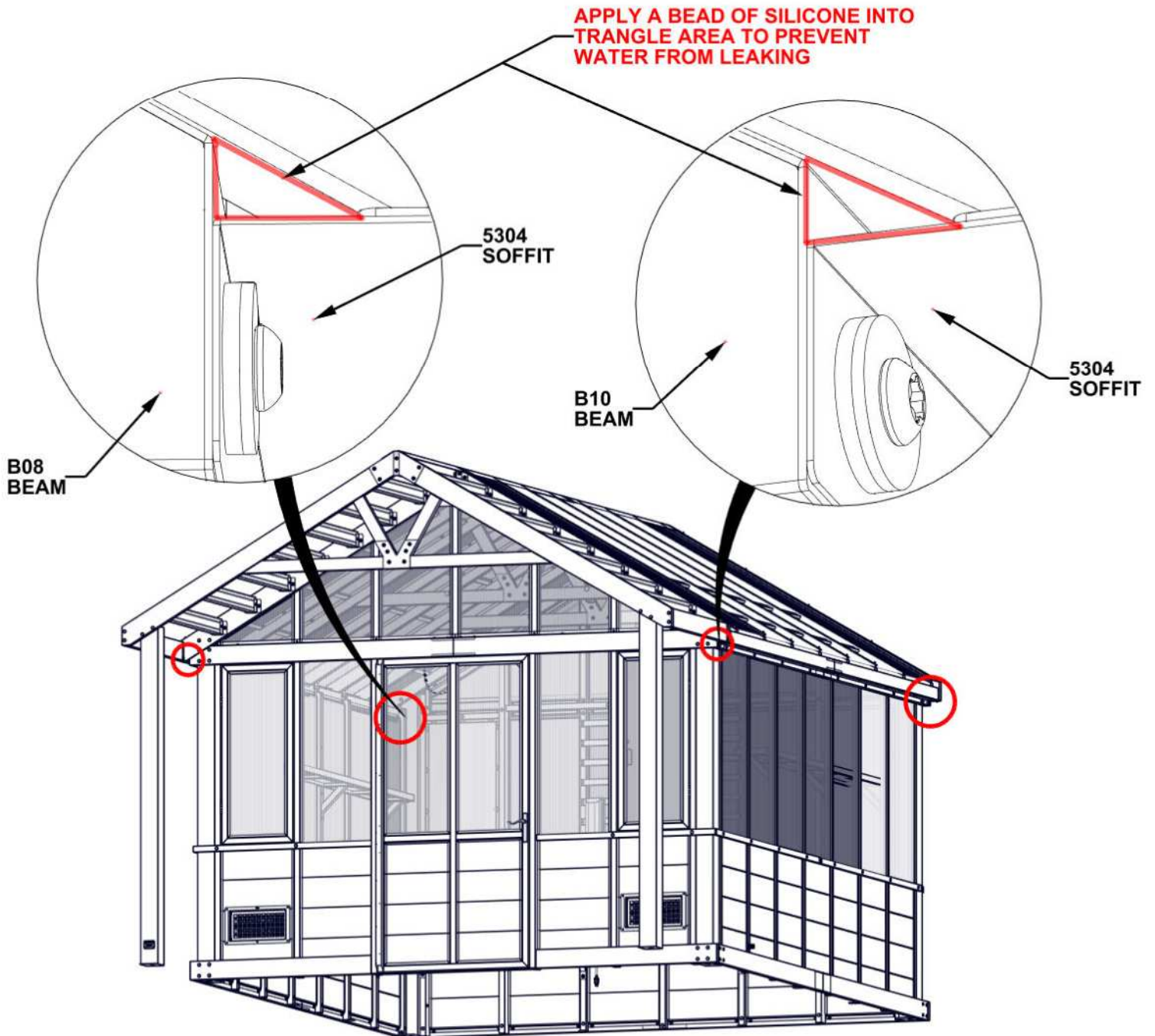
A6P01531 10 OZ SILICONE TUBE  
(x2)



H101464 CAULK GUN  
(x1)

- APPLY A BEAD OF SILICONE INTO TRANGLE AREAS AT FOUR CORNER OF GREENHOUSE AS SHOWN BELOW.
- SMOOTH SILICONE, WIPING EXCESS USING A RAG OR PAPER TOWEL.

**TIP: GLOVES ARE RECOMMENDED WHEN APPLYING SILICONE.**



# STEP 186 - APPLY SILINONE



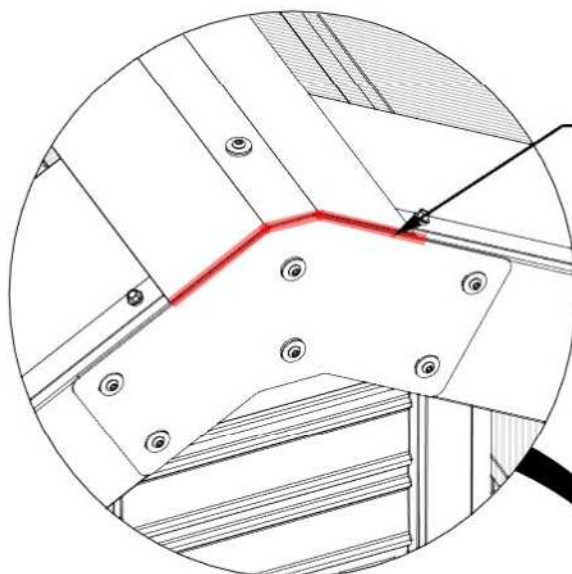
A6P01531 10 OZ SILICONE TUBE  
(x2)



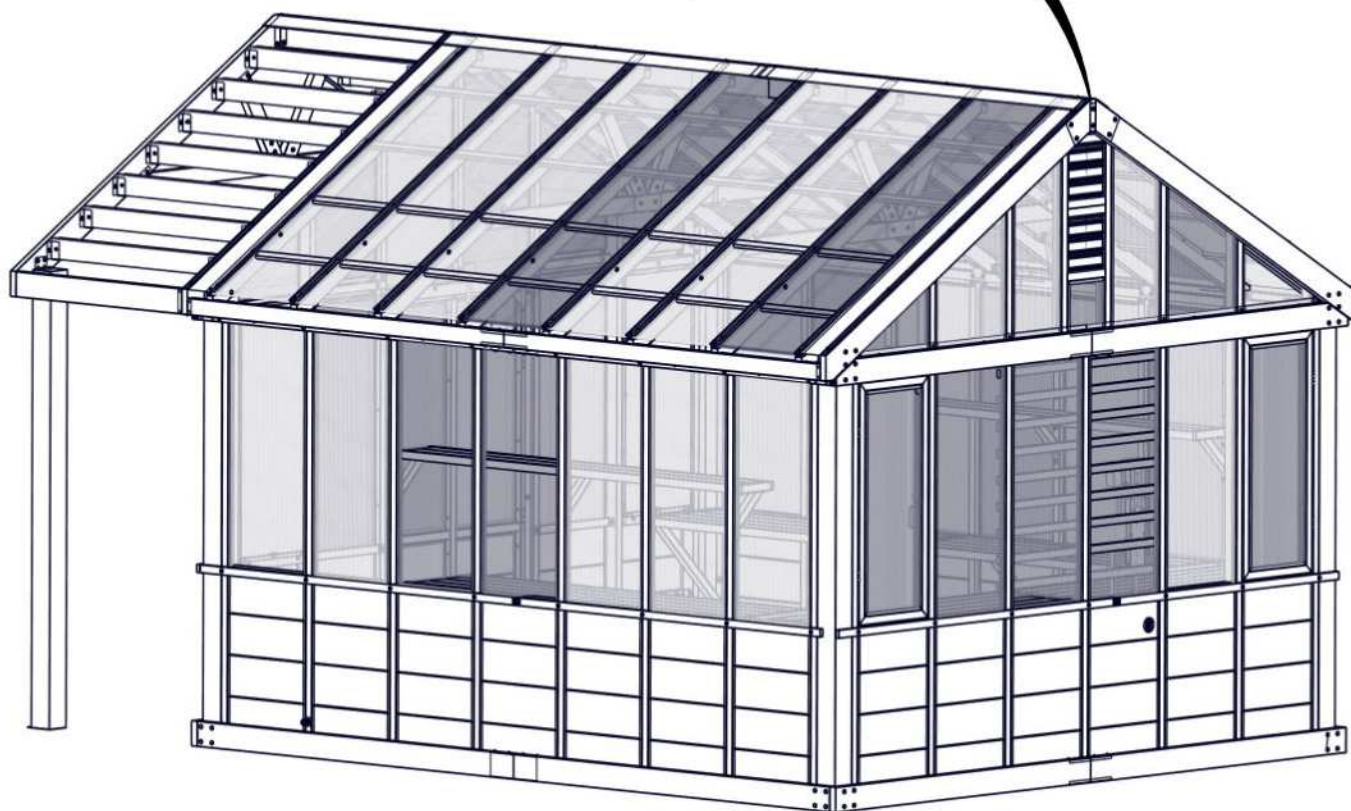
H101464 CAULK GUN  
(x1)

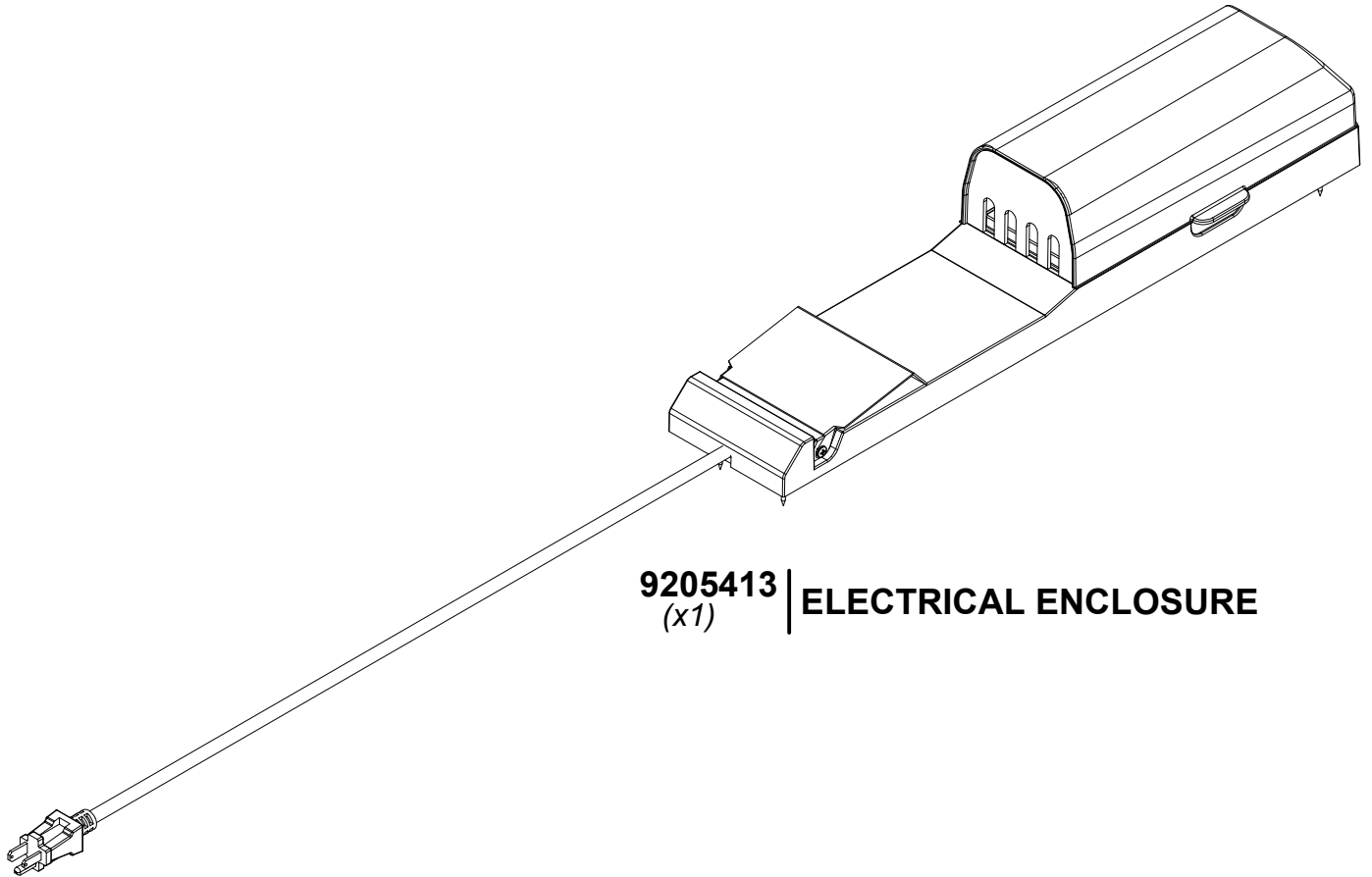
- APPLY A BEAD OF SILICONE TO RED AREA AS SHOWN BELOW.
- SMOOTH SILICONE, WIPING EXCESS USING A RAG OR PAPER TOWEL.

**TIP: GLOVES ARE RECOMMENDED WHEN APPLYING SILICONE.**



**APPLY A BEAD OF SILICONE TO RED AREA TO PREVENT WATER FROM LEAKING**





**9205413** | **ELECTRICAL ENCLOSURE**  
*(x1)*

FOR POWERPORT INSTALLATION REFER TO ASSEMBLY INSTRUCTIONS THAT COME PACKAGED WITH THE POWERPORT KIT. INSTALL ON ANY EXTERIOR POST THAT IS DESIRED. FOLLOW DIRECTIONS FOR PROPER INSTALLATION.