



MANUFACTURED BY:
Backyard Discovery
 3305 Airport Drive, Pittsburg, KS 66762
 800-856-4445

Basepoint Business Centre: Rivermead Drive, Westlea, Swindon SN5 7EX Phone: 0800-118-2476
 J.P. Coenstraat 7, The Bridge, The Hague, 2595 WP, Netherlands Phone: 0800-567-8990

WOODLAND SILVERWOOD

Swing Set Model # 6014B & 2200210

The assembly manual must be retained since it contains important information



WARNING
Adult Assembly Required.
 Not suitable for children under 36 months due to small parts.
FOR DOMESTIC USE ONLY. INTENDED FOR OUTDOOR USE.



Please visit www.backyarddiscovery.com

For the most up to date assembly manual, to register your set, or to order replacement parts
Para obtener instrucciones en español, visite www.backyarddiscovery.com



**EASY STEP-BY-STEP
 3D INTERACTIVE INSTRUCTIONS**

DOWNLOAD THE FREE APP



**INSTALLATION
 SERVICES
 AVAILABLE!**

See inside for details

Made in China

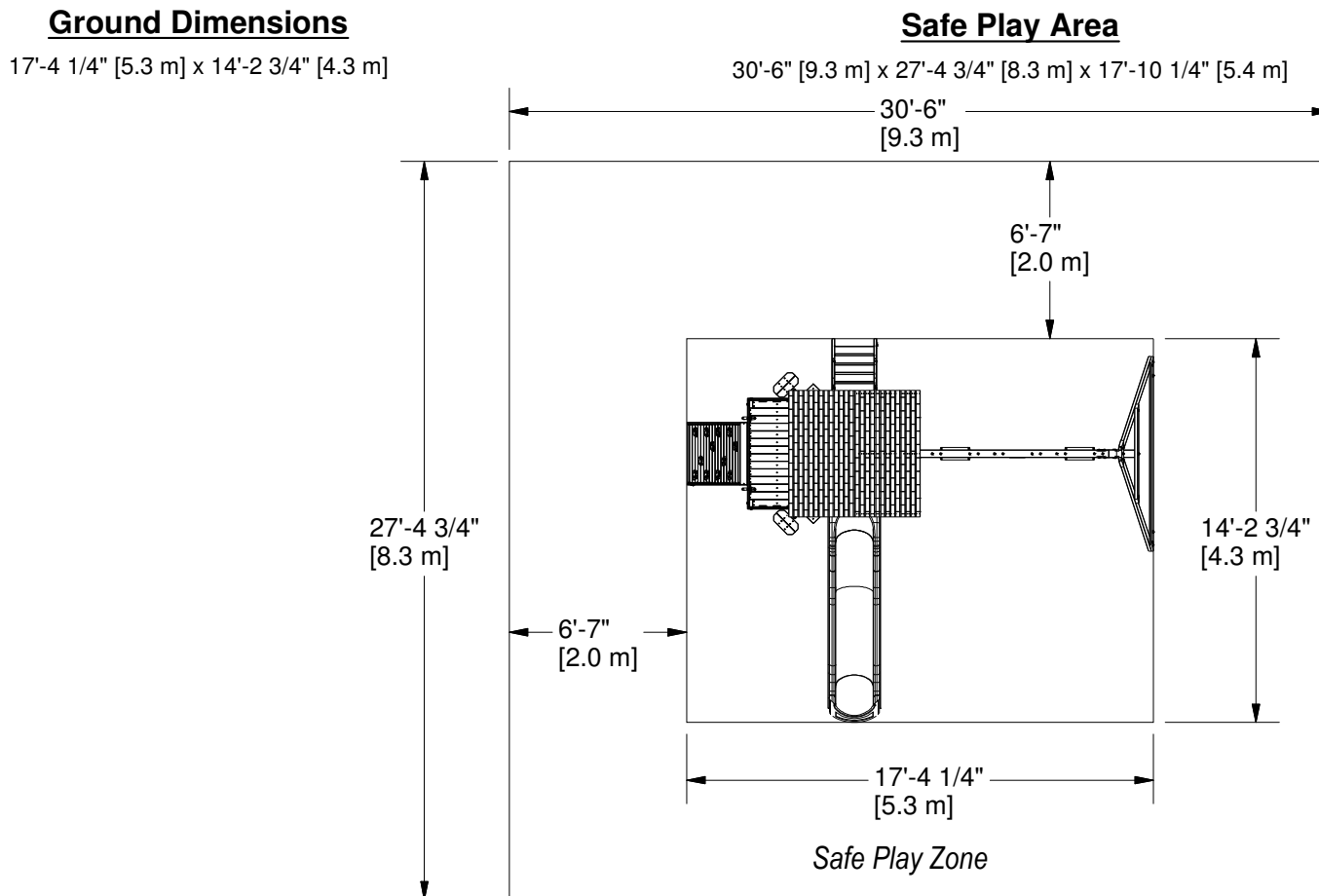
INS-6014B-A-WOODLAND-ENG 2-8-2022 &
 INS-2200210-A-SILVERWOOD-ENG 2-8-2022

Owner's Manual - Basic Setup Dimensions & Assembly Notes

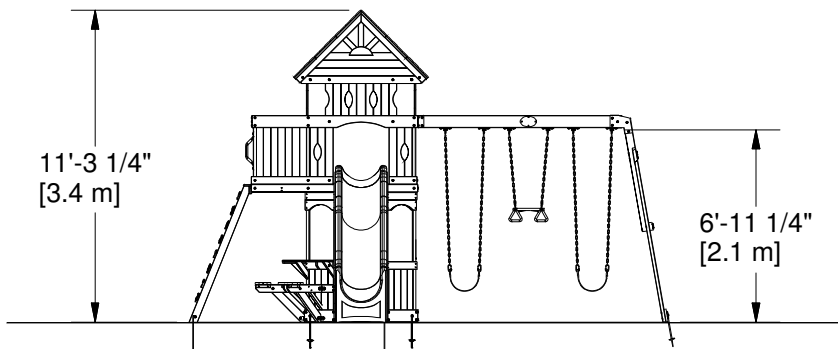
Place the set on level ground, not less than 6'-7" [2 m] from any structure or obstruction such as a fence, garage, house, overhanging branches, laundry lines, or electrical wires.

- While assembling unit, take time before and after each phase to make sure fort is level. If fort is not level, assembly will be difficult and improper assembly may result. Extra care must be taken to insure the fort is square.
- The safe play area refers to a zone extending 6'-7" (2 m) beyond the play product on all sides, including the space above the play product.

SAFE PLAY AREA DIAGRAM



SAFE PLAY HEIGHT: 17'-10 1/4" [5.4 m]
MAXIMUM FALL HEIGHT: 6'-11 1/4" [2.1 m]



General Information:

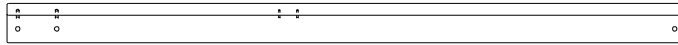
Your set has been designed and engineered for children only and for residential use only.
A maximum of 150 lbs. per child is recommended for play activities designed for individual use.
A maximum of 120 lbs. per child is recommended for play activities designed for multiple child use.
A maximum of 9 children is recommended for this swing set.

Owner's Manual - Parts Identification

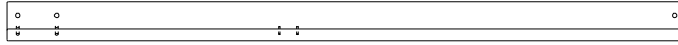
Wood Components (Not to Scale)



A50 | SWING BEAM - W4L15998
(x1) | 3 3/8"x5 1/4"x89 1/2" (86x134x2274)



E1 | LEFT UPRIGHT - W4L04458
(x2) | 1 3/8"x3 3/8"x59" (36x86x1500)



E2 | RIGHT UPRIGHT - W4L04463
(x2) | 1 3/8"x3 3/8"x59" (36x86x1500)



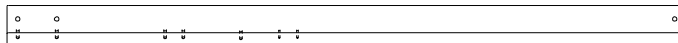
E3 | UPPER UPRIGHT - W4L04473
(x6) | 1 3/8"x3 3/8"x33 1/4" (36x86x844)



E4 | SEAT BRACE - W4L16102
(x3) | 1 3/8"x3 3/8"x24" (36x86x609)



E5 | LEFT UPRIGHT - W4L16110
(x1) | 1 3/8"x3 3/8"x59" (36x86x1500)



E6 | RIGHT UPRIGHT - W4L16111
(x1) | 1 3/8"x3 3/8"x59" (36x86x1500)



E7 | LEFT UPRIGHT - W4L16112
(x1) | 1 3/8"x3 3/8"x59" (36x86x1500)



E8 | RIGHT UPRIGHT - W4L16113
(x1) | 1 3/8"x3 3/8"x59" (36x86x1500)



E50 | END SUPPORT - W4L16003
(x1) | 1 3/8"x3 3/8"x44 1/8" (36x86x1120)



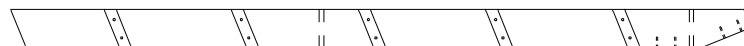
E51 | ANGLE BRACE - W4L16004
(x2) | 1 7/16"x3 3/8"x87 3/16" (36x86x2214)



E72 | LEFT RAIL - W4L16007
(x1) | 1 3/8"x3 3/8"x64 1/2" (36x86x1640)



E73 | RIGHT RAIL - W4L16008
(x1) | 1 3/8"x3 3/8"x64 1/2" (36x86x1640)



E77 | LEFT UPRIGHT - W4L15932
(x1) | 1 3/8"x3 3/8"x64 3/8" (36x86x1634)



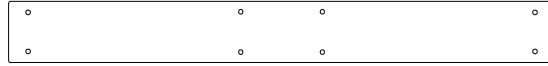
E78 | RIGHT UPRIGHT - W4L15933
(x1) | 1 3/8"x3 3/8"x64 3/8" (36x86x1634)

Owner's Manual - Parts Identification

Wood Components (Not to Scale)



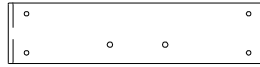
F1 | MOUNTING BLOCK - W4L16100
(x3) | 1 3/8"x2 3/8"x3 3/8" (36x60x86)



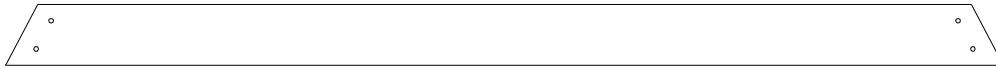
G1 | SWINGBEAM RAIL - W4L04483
(x1) | 1"x5 1/4"x47 3/8" (24x134x1204)



G2 | GROUND BOARD - W4L04459
(x3) | 1"x5 1/4"x22 3/8" (24x134x570)



G3 | GROUND BOARD - W4L04541
(x1) | 1"x5 1/4"x22 3/8" (24x134x570)



G14 | GROUND BOARD - W4L16019
(x1) | 15/16"x5 1/4"x86 11/16" (24x134x2202)



H1 | DECK RAIL - W4L04461
(x1) | 1"x3 3/8"x72 3/8" (24x86x1838)



H2 | ROOF SUPPORT - W4L16107
(x2) | 1"x3 3/8"x52 1/4" (24x86x1328)



H3 | DECK RAIL - W4L04462
(x1) | 1"x3 3/8"x47 3/8" (24x86x1204)



H4 | FLOOR SUPPORT - W4L04470
(x1) | 1"x2 3/4"x47 3/8" (24x70x1204)



H5 | DECK RAIL - W4L16094
(x1) | 1"x3 3/8"x47 3/8" (24x86x1204)



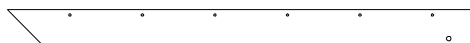
H6 | FLOOR JOIST - W4L04478
(x2) | 1"x2 3/4"x47 3/8" (24x70x1204)



H7 | ROOF SUPPORT - W4L16105
(x1) | 1"x3 3/8"x47 3/8" (24x86x1204)



H8 | ARCHED ROOF SUPPORT - W4L16106
(x1) | 1"x3 3/8"x47 3/8" (24x86x1204)



H9 | RAFTER - W4L04492
(x4) | 1"x3 3/8"x40 7/8" (24x86x1038)

Owner's Manual - Parts Identification

Wood Components (Not to Scale)



H10 | ATTACHMENT BOARD - W4L16045
(x1) | 1"x3 3/8"x27 7/8" (24x86x707)



H11 | SHELF SUPPORT - W4L16114
(x2) | 1"x3 3/8"x9 3/4" (24x86x248)



H12 | DECK RAIL - W4L16104
(x1) | 1"x3 3/8"x72 3/8" (24x86x1838)



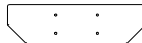
H13 | SEAT SUPPORT RAIL - W4L04558
(x2) | 1"x3 3/8"x18 5/8" (24x86x472)



H14 | SEAT SUPPORT RAIL CENTER - W4L04559
(x1) | 1"x3 3/8"x22" (24x86x570)



H15 | FLOOR SUPPORT - W4L16108
(x6) | 1"x2 3/4"x3 3/8" (24x70x86)



H16 | SEAT - W4L16103
(x6) | 1"x3 3/8"x12" (24x86x304)



H76 | LADDER RUNG - W4L15931
(x5) | 1"x3 3/8"x18 1/8" (24x86x460)



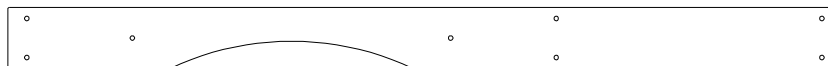
H77 | ATTACHMENT BOARD - W4L15929
(x1) | 1"x3 3/8"x20 1/8" (24x86x512)



J1 | OUTER SHELF BRACE - W4L04550
(x2) | 1"x2 3/8"x10 5/8" (24x60x270)



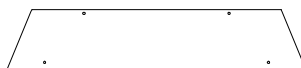
J2 | INNER SHELF BRACE - W4L04549
(x4) | 1"x2 3/8"x10 5/8" (24x60x270)



K1 | ARCHED WALL RAIL - W4L04485
(x2) | 5/8"x5 1/4"x72" (16x134x1830)



K2 | ARCHED WALL RAIL - W4L04486
(x1) | 5/8"x5 1/4"x47 3/8" (16x134x1204)



K3 | CENTER SHELF - W4L04544
(x1) | 5/8"x5 1/4"x26" (16x134x661)

Owner's Manual - Parts Identification

Wood Components (Not to Scale)



K4 | CENTER SHELF - W4L04545
(x1) | 5/8"x5 1/4"x30 3/8" (16x134x772)



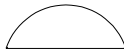
K5 | OUTER SHELF - W4L04547
(x2) | 5/8"x5 1/4"x22 1/2" (16x134x573)



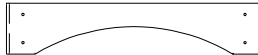
K6 | OUTER SHELF - W4L04546
(x2) | 5/8"x5 1/4"x20 3/8" (16x134x518)



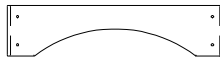
K7 | WALL RAIL - W4L04488
(x2) | 5/8"x5 1/4"x13 1/2" (16x134x344)



K80 | SUNBURST HALF MOON - W103694
(x2) | 5/8"x3 3/4"x10 3/8" (16x96x264)



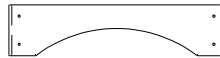
L1 | ARCHED WALL RAIL - W4L04469
(x2) | 5/8"x4 3/8"x22 1/8" (16x112x563)



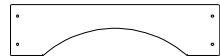
L2 | ARCHED WALL RAIL - W4L04472
(x1) | 5/8"x4 3/8"x18 3/4" (16x112x475)



L3 | RIGHT ARCHED WALL RAIL - W4L04471
(x1) | 5/8"x4 3/8"x18 1/2" (16x112x469)



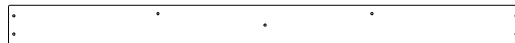
L4 | LEFT ARCHED WALL RAIL - W4L04468
(x1) | 5/8"x4 3/8"x18 1/2" (16x112x469)



L5 | ARCHED WALL RAIL - W4L04467
(x1) | 5/8"x4 3/8"x18 1/4" (16x112x462)



M1 | WALL RAIL - W4L04479
(x1) | 5/8"x3 3/8"x47 3/8" (16x86x1204)



M2 | OUTER FLOOR BOARD - W4L16092
(x2) | 5/8"x3 3/8"x44 5/8" (16x86x1132)



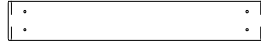
M3 | WALL RAIL - W4L16096
(x2) | 5/8"x3 3/8"x35 1/4" (16x86x896)



M4 | WALL SLAT - W4L16098
(x2) | 5/8"x3 3/8"x28 7/8" (16x86x734)

Owner's Manual - Parts Identification

Wood Components (Not to Scale)



M5 | WALL RAIL - W4L04465
(x7) | 5/8"x3 3/8"x22" (16x86x563)



M6 | OUTER FLOOR BOARD - W4L16093
(x2) | 5/8"x3 3/8"x21 5/8" (16x86x550)



M7 | SEAT RAIL - W4L16101
(x6) | 5/8"x3 3/8"x21 1/8" (16x86x536)



M8 | WALL RAIL - W4L04466
(x4) | 5/8"x3 3/8"x18 3/4" (16x86x475)



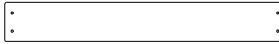
M9 | WALL RAIL - W4L16099
(x2) | 5/8"x3 3/8"x13 1/2" (16x86x344)



M10 | WALL RAIL - W4L16095
(x2) | 5/8"x3 3/8"x12 1/4" (16x86x310)



M12 | WALL RAIL - W4L16097
(x2) | 5/8"x3 3/8"x9 5/8" (16x86x244)



M13 | WALL SLAT - W4L04557
(x6) | 5/8"x3 3/8"x24 3/8" (16x86x618)



M73 | REAR SUPPORT - W4L15930
(x1) | 5/8"x3 3/8"x20 1/8" (16x86x512)



M74 | ROCK WALL BOARD - W4L16071
(x10) | 5/8"x3 3/8"x26 5/8" (16x86x675)



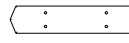
M75 | ROCK WALL BOARD - W4L16072
(x4) | 5/8"x3 3/8"x26 5/8" (16x86x675)



M76 | ROCK WALL BOARD - W4L16073
(x4) | 5/8"x3 3/8"x26 5/8" (16x86x675)



M108 | TOP BOARD - W4L16046
(x1) | 5/8"x3 1/4"x27 7/8" (16x82x707)



N1 | SHELF CLEAT - W4L04548
(x2) | 5/8"x2 3/8"x10 1/2" (16x60x268)



N2 | SUNBURST BOARD - W4L16115
(x4) | 5/8"x2 3/8"x9" (16x60x230)

Owner's Manual - Parts Identification

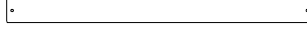
Wood Components (Not to Scale)



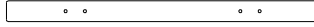
N5 | SUNBURST BOARD - W4L04493
(x2) | 5/8"x2 3/8"x15" (16x60x382)



N7 | ROOF CLEAT TIE BLOCK - W4L04874
(x4) | 5/8"x1 5/8"x6" (16x40x152)



N06 | FILLER BOARD - W4L16089
(x1) | 5/8"x2 1/8"x26 5/8" (16x54x675)



O70 | SLIDE MOUNTING BOARD - W102822
(x1) | 5/8"x1 3/8"x20 3/8" (16x34x517)



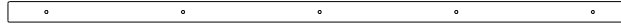
P1 | SAFETY BRACE - W4L04499
(x3) | 1 3/8"x1 3/8"x15 1/2" (36x36x393)



S1 | ATTACHMENT BLOCK - W4L04552
(x2) | 1"x1"x3 3/8" (24x24x86)



SP50 | SWING BEAM SUPPORT - W4L16085
(x1) | 3 3/8"x3 3/8"x49 3/8" (86x86x1254)



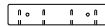
T1 | FLOOR SUPPORT RAIL - W4L04474
(x1) | 1"x1 3/8"x40 5/8" (24x34x1032)



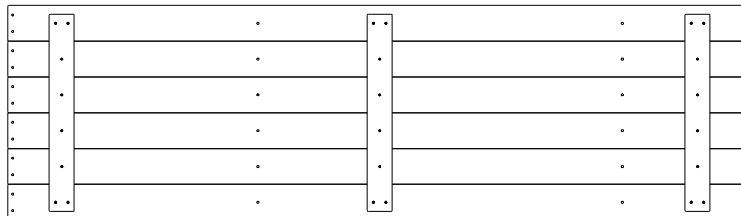
T2 | FLOOR SUPPORT RAIL - W4L04476
(x1) | 1"x1 3/8"x16 7/8" (24x34x430)



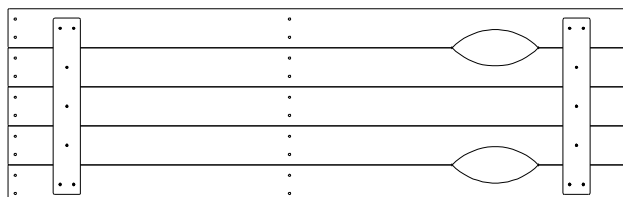
T3 | FLOOR SUPPORT RAIL - W4L04477
(x2) | 1"x1 3/8"x8 1/2" (24x34x215)



T4 | SEAT CLEAT - W4L04543
(x6) | 1"x1 3/8"x6 1/2" (24x34x164)



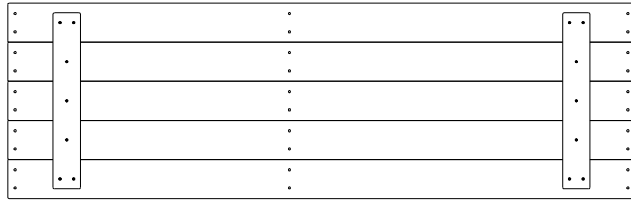
FP1 | FLOOR PANEL - W2A03288
(x2) | 1 1/4"x20 3/8"x70 1/2" (32x516x1790)



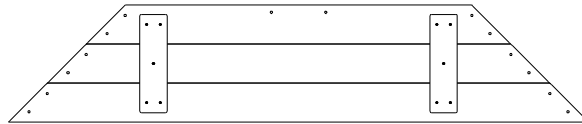
WP1 | WALL PANEL - W2A03409
(x1) | 1 1/4"x16 7/8"x54 1/2" (32x430x1384)

Owner's Manual - Parts Identification

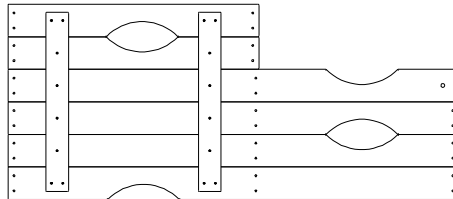
Wood Components (Not to Scale)



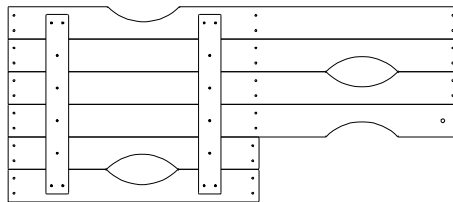
WP2 | WALL PANEL - W2A01408
(x1) | 1 1/4"x16 7/8"x54 1/2" (32x430x1384)



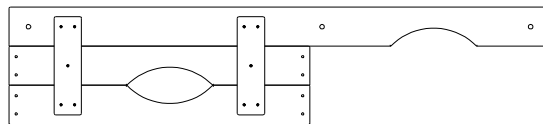
WP3 | GABLE - W2A01476
(x2) | 1 1/4"x10 1/8"x50 3/8" (32x258x1280)



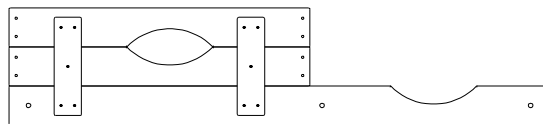
WP4 | WALL PANEL RIGHT - W2A01472
(x1) | 1 1/4"x20 3/8"x47" (32x516x1194)



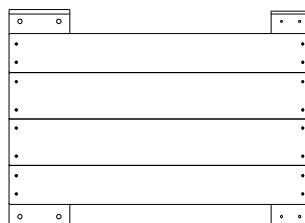
WP5 | WALL PANEL LEFT - W2A01473
(x1) | 1 1/4"x20 3/8"x47" (32x516x1194)



WP6 | WALL PANEL LEFT - W2A03287
(x2) | 1 1/4"x10 1/8"x47" (32x258x1194)



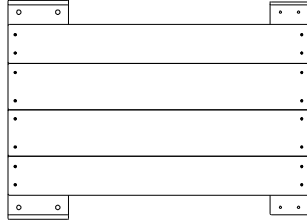
WP7 | WALL PANEL RIGHT - W2A03286
(x2) | 1 1/4"x10 1/8"x47" (32x258x1194)



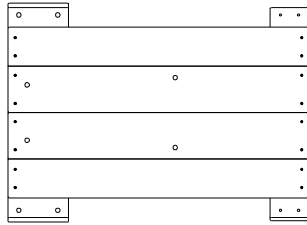
WP8 | WALL PANEL - W2A01409
(x1) | 1 5/8"x19"x26 1/8" (40x482x664)

Owner's Manual - Parts Identification

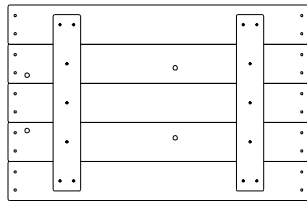
Wood Components (Not to Scale)



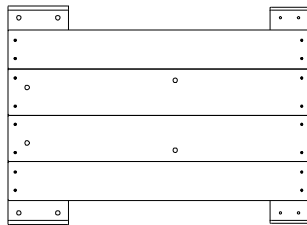
WP9 | RIGHT WALL PANEL - W2A01410
(x1) | 1 5/8"x19"x26 1/8" (40x482x664)



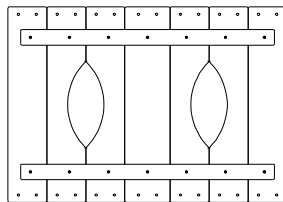
WP10 | LEFT WALL PANEL - W2A01470
(x1) | 1 5/8"x19"x26 1/8" (40x482x664)



WP11 | WALL PANEL - W2A01471
(x1) | 1 1/4"x16 7/8"x26 1/8" (32x430x664)



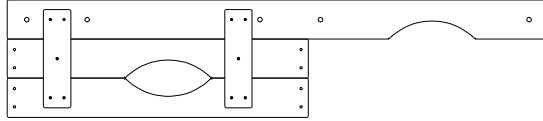
WP12 | WALL PANEL - W2A01480
(x1) | 1 5/8"x19"x26 1/8" (40x482x664)



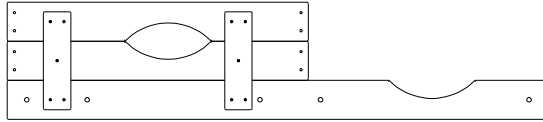
WP13 | WALL PANEL - W2A01477
(x2) | 1 1/4"x16 5/8"x24 1/4" (32x430x616)

Owner's Manual - Parts Identification

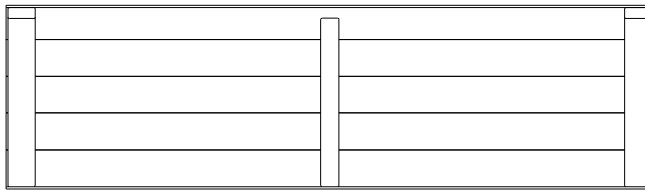
Wood Components (Not to Scale)



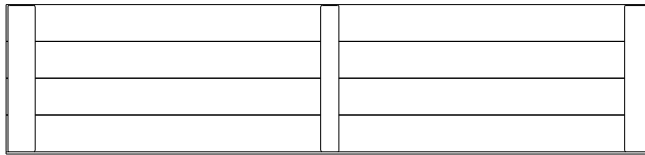
WP14 | WALL PANEL LEFT - W2A03284
(x1) | 1 1/4"x10 1/8"x47" (32x258x1194)



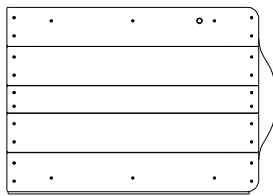
WP15 | WALL PANEL RIGHT - W2A03285
(x1) | 1 1/4"x10 1/8"x47" (32x258x1194)



RP1 | PEAK ROOF PANEL - W2A01478
(x2) | 1 3/8"x15 7/8"x56 1/4" (35x404x1428)



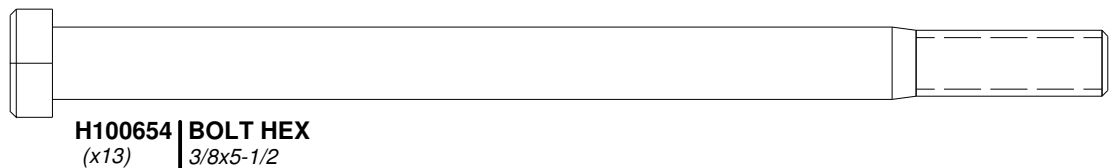
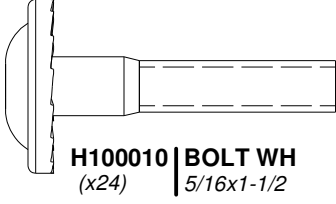
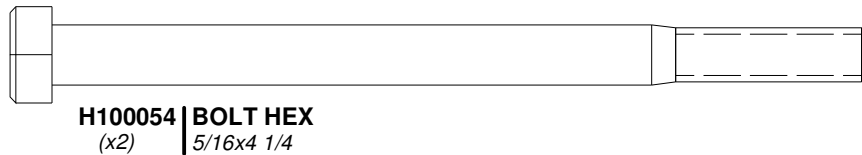
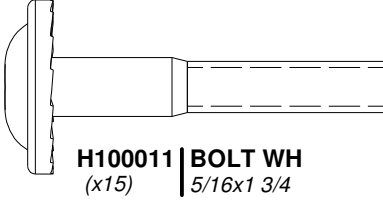
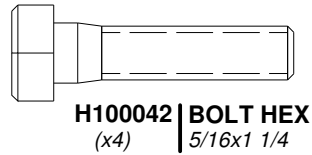
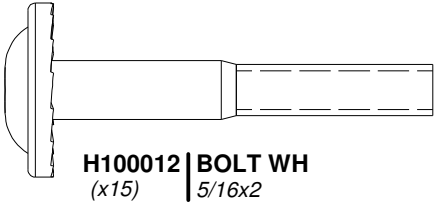
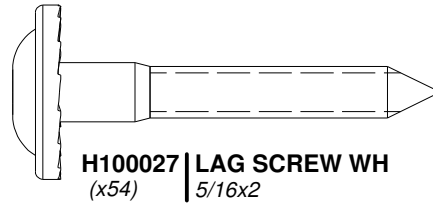
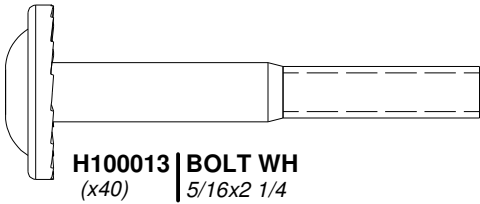
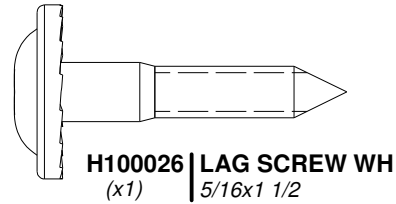
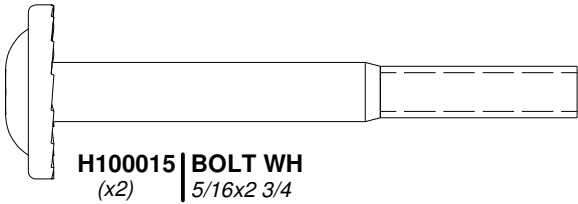
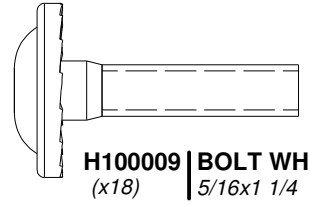
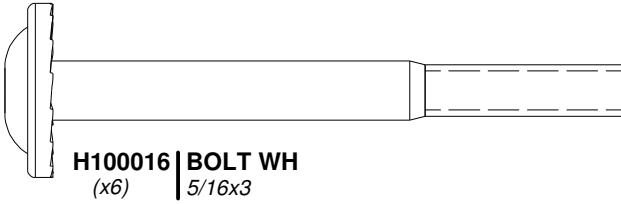
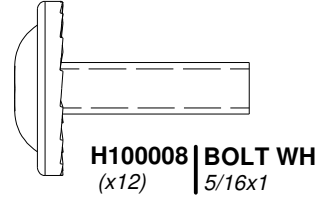
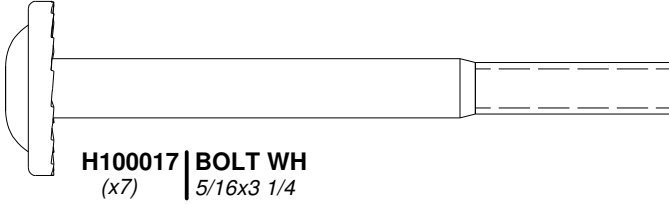
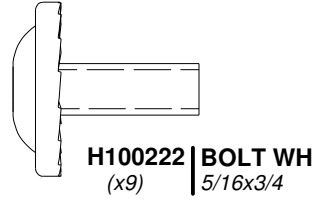
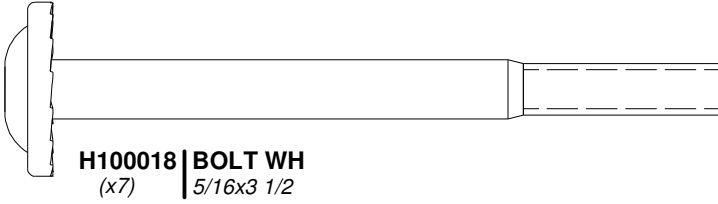
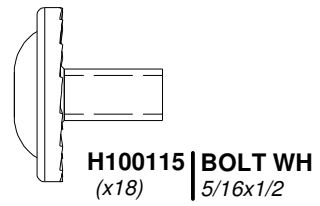
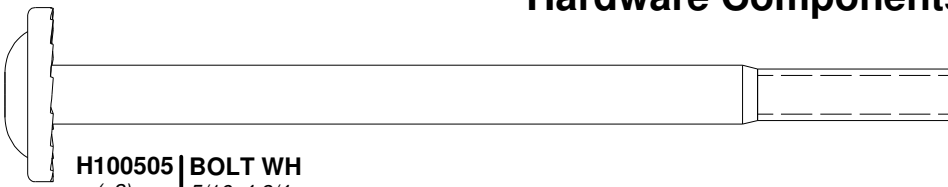
RP2 | ROOF PANEL - W2A01479
(x4) | 1 3/8"x13"x56 1/4" (35x329x1428)



DR1 | DOOR PANEL - W2A01482
(x1) | 1 1/4"x16"x23 1/2" (32x406x596)

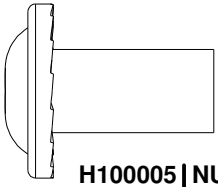
Owner's Manual - Parts Identification

Hardware Components



Owner's Manual - Parts Identification

Hardware Components



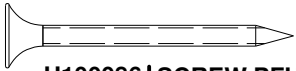
H100005 | NUT BARREL WH
(x32) | 5/16x7/8



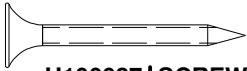
H100111 | SCREW PFH
(x60) | 8x2



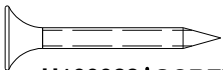
H100089 | SCREW PFH
(x228) | 8x1 3/4



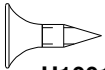
H100086 | SCREW PFH
(x122) | 8x1 1/2



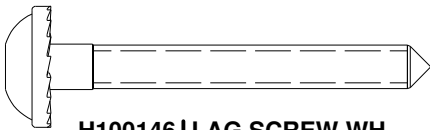
H100087 | SCREW PFH
(x13) | 8x1 1/4



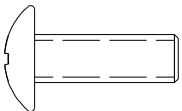
H100088 | SCREW PFH
(x359) | 8x1 1/8



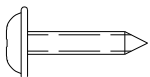
H100124 | SCREW PFH
(x4) | 8 x 1/2



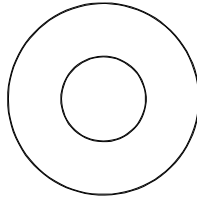
H100146 | LAG SCREW WH
(x7) | 1/4x2



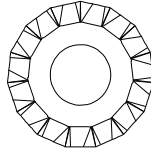
H100063 | BOLT PTH
(x26) | 1/4x3/4



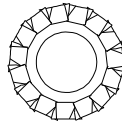
H100128 | SCREW PWH
(x2) | 8x5/8



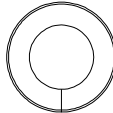
H100102 | WASHER FLAT
(x13) | 11x25



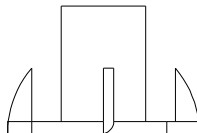
H100030 | WASHER LOCK
EXT
(x141) | 8x19



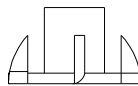
H100138 | WASHER LOCK
EXT
(x7) | 6x15



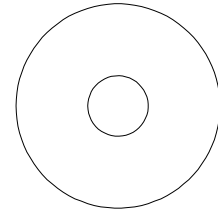
H100095 | WASHER SPLIT
(x4) | 5/16



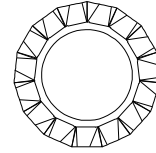
H100073 | T-NUT
(x12) | 3/8



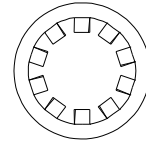
H100072 | T-NUT
(x26) | 1/4



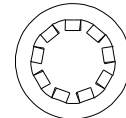
H100105 | WASHER FLAT
(x9) | 8x27



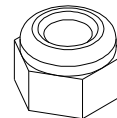
H100031 | WASHER LOCK
EXT
(x20) | 12x19



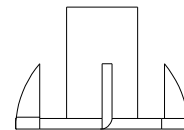
H100107 | WASHER LOCK
INT
(x13) | 10x18



H100108 | WASHER LOCK
INT
(x26) | 8x15



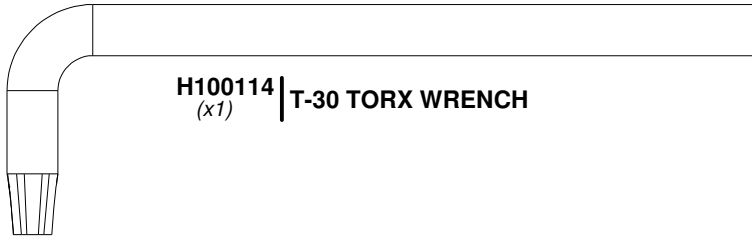
H100110 | NUT LOCK
(x2) | 5/16



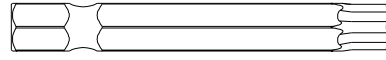
H100074 | T-NUT
(x136) | 5/16

Owner's Manual - Parts Identification

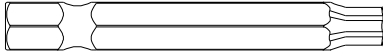
Accessory Components (Not to Scale)



H100114 | T-30 TORX WRENCH
(x1)



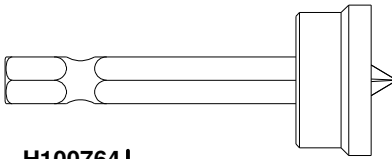
A100042 | T-40 TORX BIT
(x1)



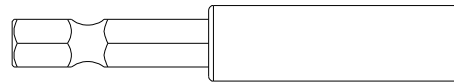
H100147 | T-30 TORX BIT
(x1)



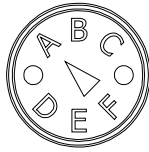
A100041 | T-40 TORX WRENCH
(x1)



H100764 | SCREW SETTER
(x1)



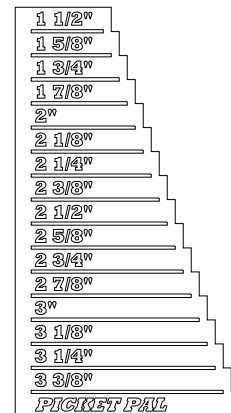
H101100 | MAGNETIC DRIVER
(x1)



A100314 | "A" REVISION TAG
(x1)



A100164 | BYD ID TAG
(LARGE) AGES 3-10
(x1)



A6P00410 | PICKET PAL
(x1)

Owner's Manual - Parts Identification

Accessory Components (Not to Scale)



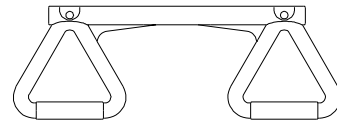
A100047 | CHAIN GREEN 57"
(x4)



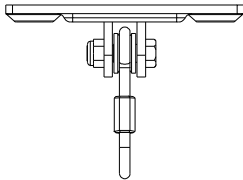
A100177 | CHAIN GREEN
(x2) | 31"



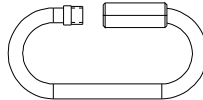
A100027 | SWING SEAT GREEN 26"
(x2)



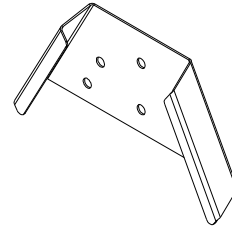
A6P00034 | TRAPEZE
(x1) | YELLOW



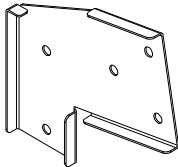
A4M00505 | SWING HANGER
(x6)



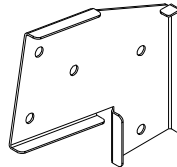
A100069 | QUICK LINK
(x6)



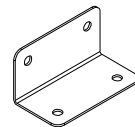
A4M01169 | A-FRAME
(x1) | BRACKET



A100325 | SWING BEAM
(x1) | EXTENSION
BRACKET-LEFT



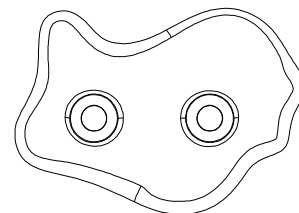
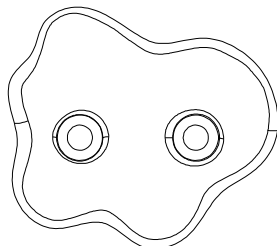
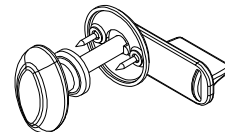
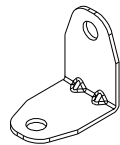
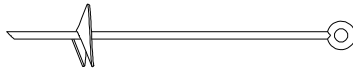
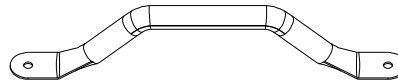
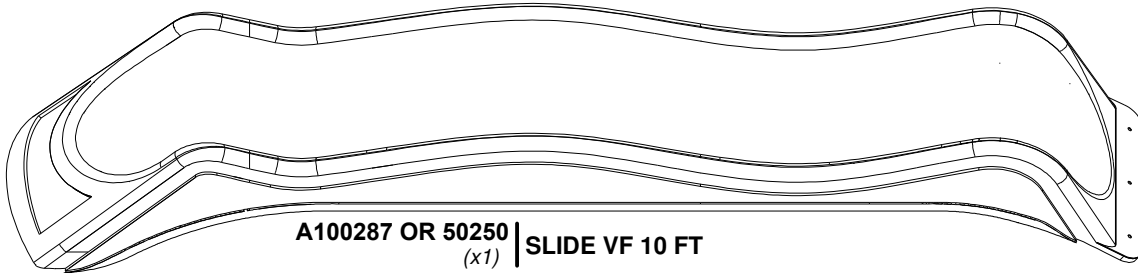
A100326 | SWING BEAM
(x1) | EXTENSION
BRACKET-RIGHT



A100140 | L BRACKET
(x2) | 66x66x127

Owner's Manual - Parts Identification

Accessory Components (Not to Scale)



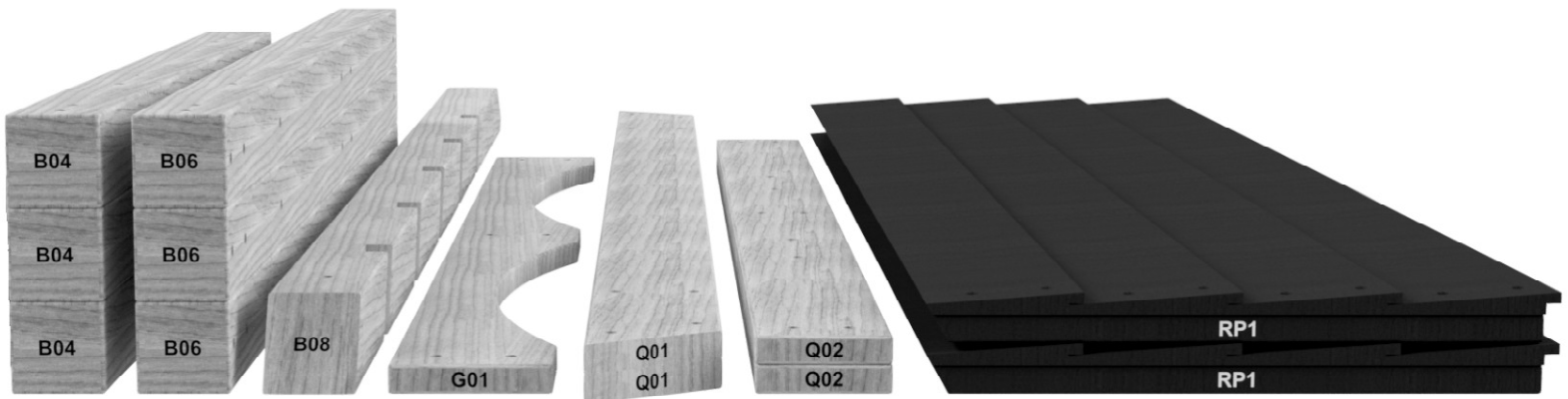
PRE-ASSEMBLY STEP 1 - SORTING PARTS

It is critical for ease of assembly that you take the time to sort and organize the wood and hardware.

WOOD PARTS:

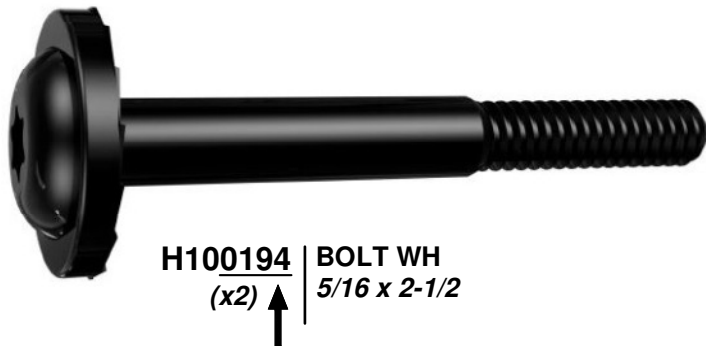
- Organize wood parts by the three-digit, alpha-numeric number stamped on each board (ex. P01).
- If there are multiple boards with the same stamped number, stack those pieces together.
- Stamps can be found on the flat surface of the boards or on the end of the boards.
- Allow yourself plenty of room - the wood pieces can take up a significant amount of space.

NOTE: CARTONS ARE NOT ORGANIZED BY BOARD NUMBER.



HARDWARE PARTS:

- We recommend that you have a separate table to organize the hardware.
- Hardware bags are printed with a seven-digit, alpha-numeric part number.
- You can organize your hardware by part number or group by hardware type (i.e. bolts, nuts, etc.).
- During assembly you only need to reference the last four digits of the number.



PRE-ASSEMBLY STEP 2 - TOOLS REQUIRED



**Cordless Drill or
Electric Drill**



**Drill Attachments:
Phillips Head**



**1/8", 3/16", 3/8" & 7/16"
Drill Bits**



Phillips Screw Driver



Open End Wrenches 1/2" & 9/16"



**3/8" Drive Ratchet, 1/2" &
9/16" STD Sockets 1/2" & 9/16" Deep
Sockets**



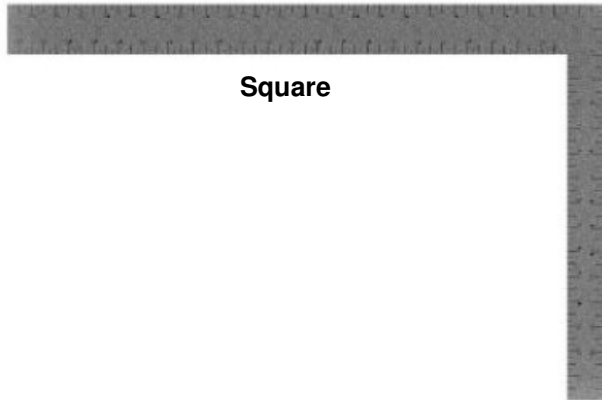
Claw Hammer



Rubber Mallet - Optional



Tape Measure



Square





Level 24"

PRE-ASSEMBLY STEP 3 - CHOOSE YOUR ASSEMBLY METHOD

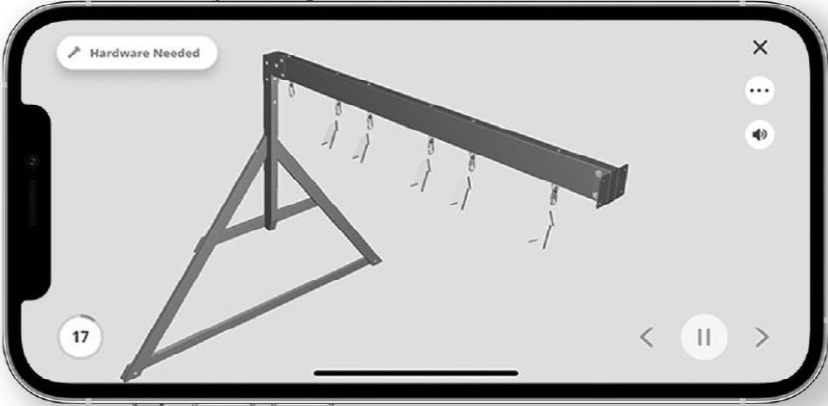


There are several types of assembly instructions available to you.

1. Printed Assembly Manual included with your set
2. BILT APP - 3D interactive instructions
3. Combination of the Printed Manual and BILT APP (Note: Step numbers can differ between the two methods)



Scan for easy 3D instructions

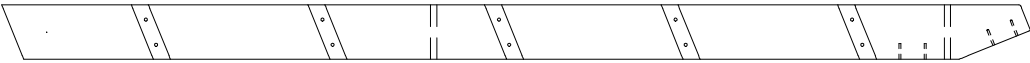
Download the BILT app
before you begin



The image shows a smartphone screen displaying the BILT app interface. The screen features a 3D assembly diagram of a metal frame with a horizontal beam and several hanging components. The interface includes a 'Hardware Needed' button at the top left, a close button (X) at the top right, a menu button (three dots) and a volume icon below it, and a page number '17' in a circle at the bottom left. At the bottom center, there are navigation buttons: a back arrow, a pause button, and a forward arrow.

STEP 1 - LADDER

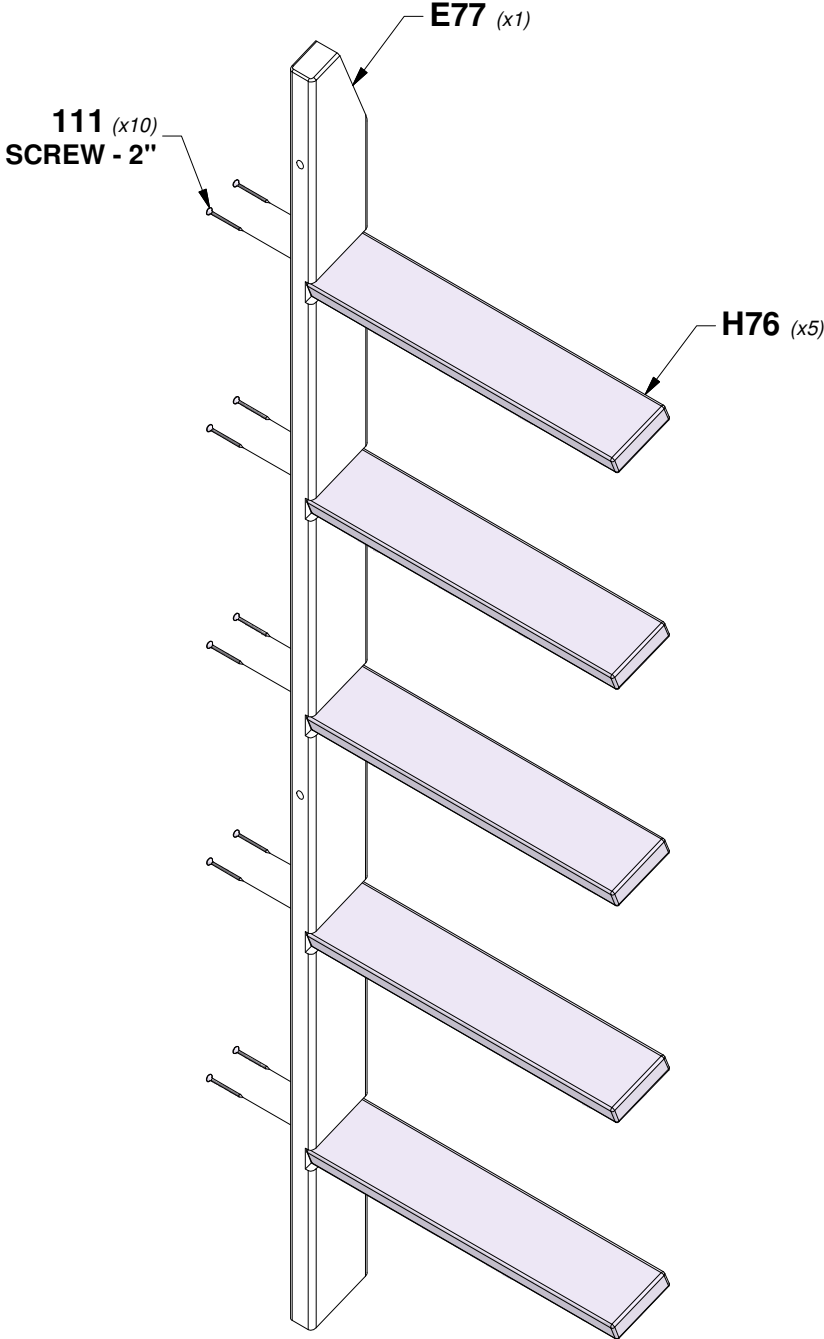
QTY	PART NUMBER	DESCRIPTION
10	H100111	SCREW PFH 8x2



E77 | LEFT UPRIGHT - W4L15932
(x1) | 1 3/8"x3 3/8"x64 3/8" (36x86x1634)

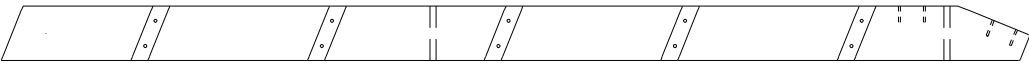


H76 | LADDER RUNG - W4L15931
(x5) | 1"x3 3/8"x18 1/8" (24x86x460)

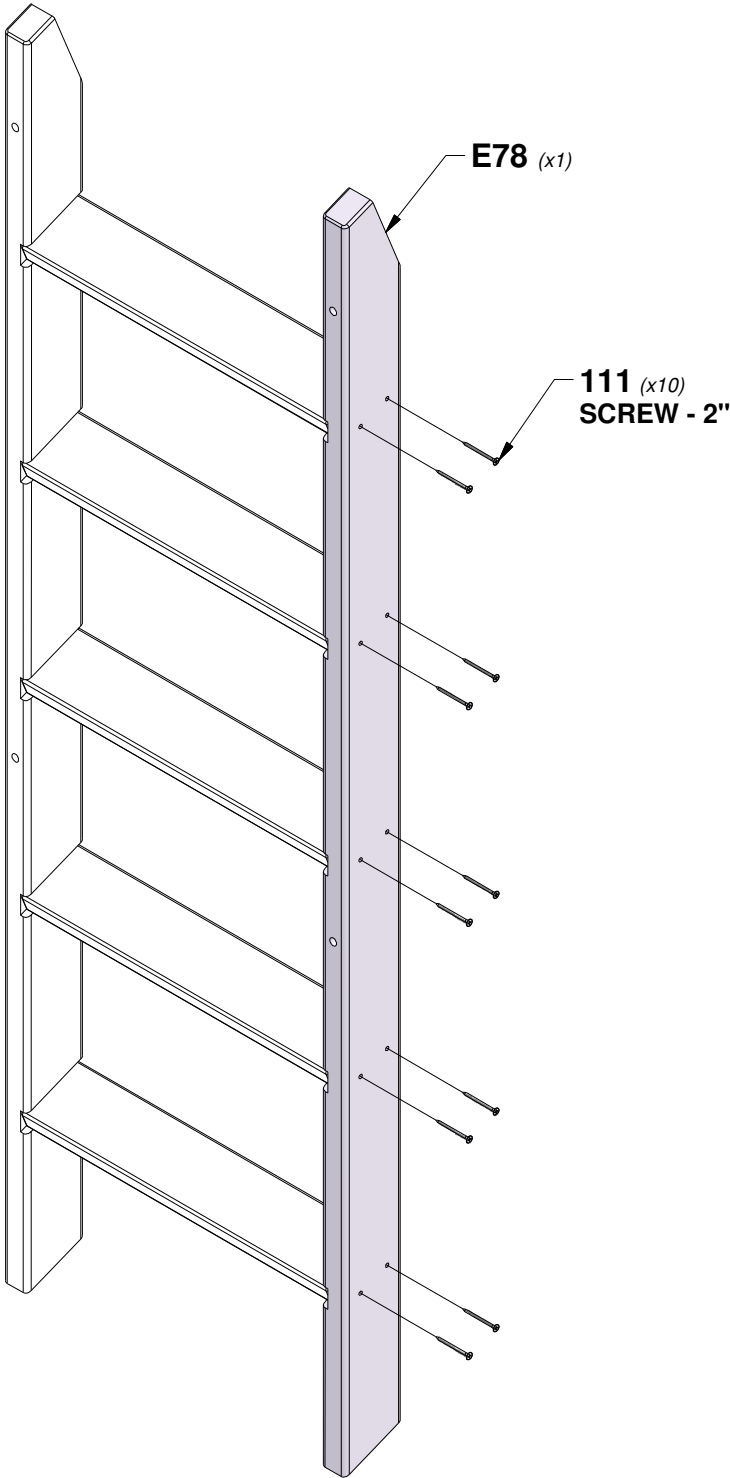


STEP 2 - LADDER

QTY	PART NUMBER	DESCRIPTION
10	H100111	SCREW PFH 8x2



E78 | RIGHT UPRIGHT - W4L15933
(x1) | 1 3/8"x3 3/8"x64 3/8" (36x86x1634)



STEP 3 - LADDER

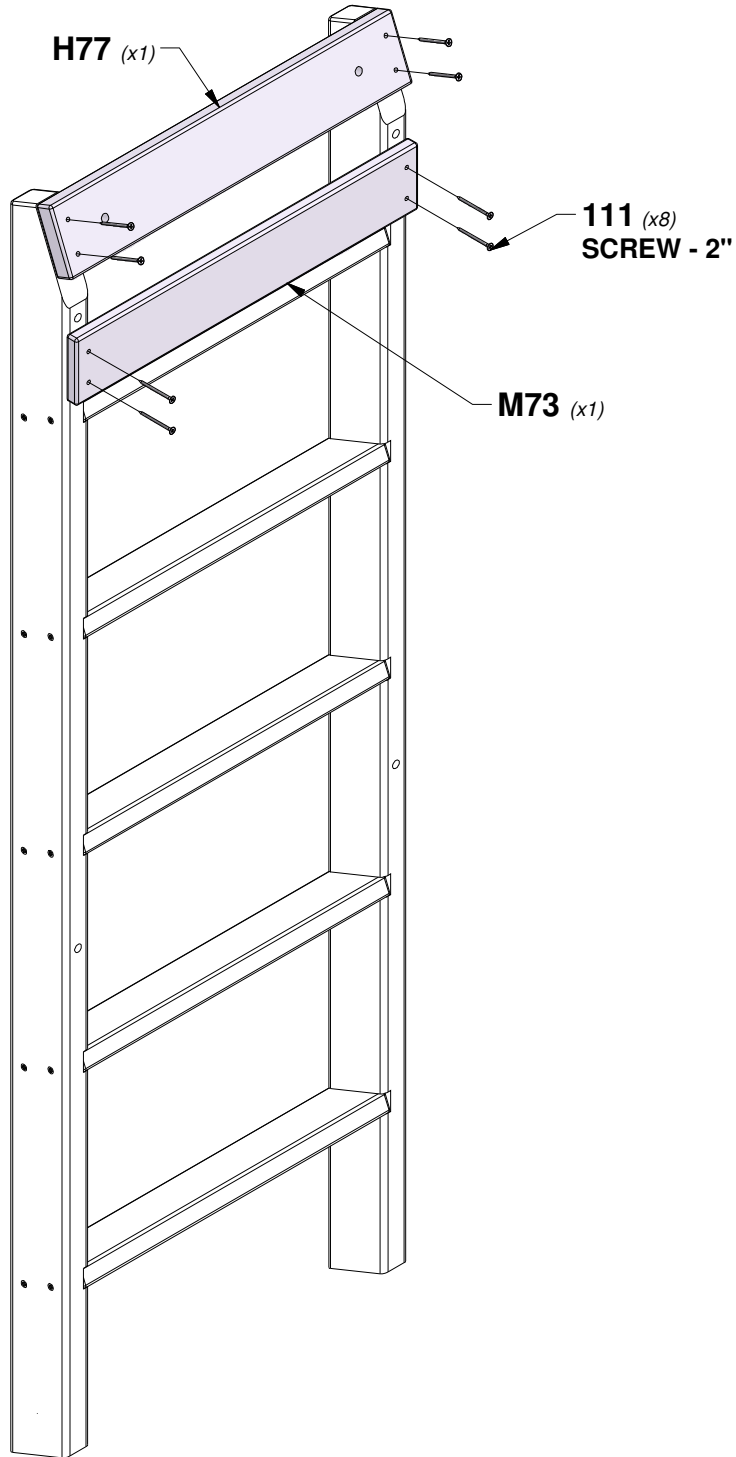
QTY	PART NUMBER	DESCRIPTION
8	H100111	SCREW PFH 8x2



H77 | ATTACHMENT BOARD - W4L15929
(x1) | 1"x3 3/8"x20 1/8" (24x86x512)



M73 | REAR SUPPORT - W4L15930
(x1) | 5/8"x3 3/8"x20 1/8" (16x86x512)

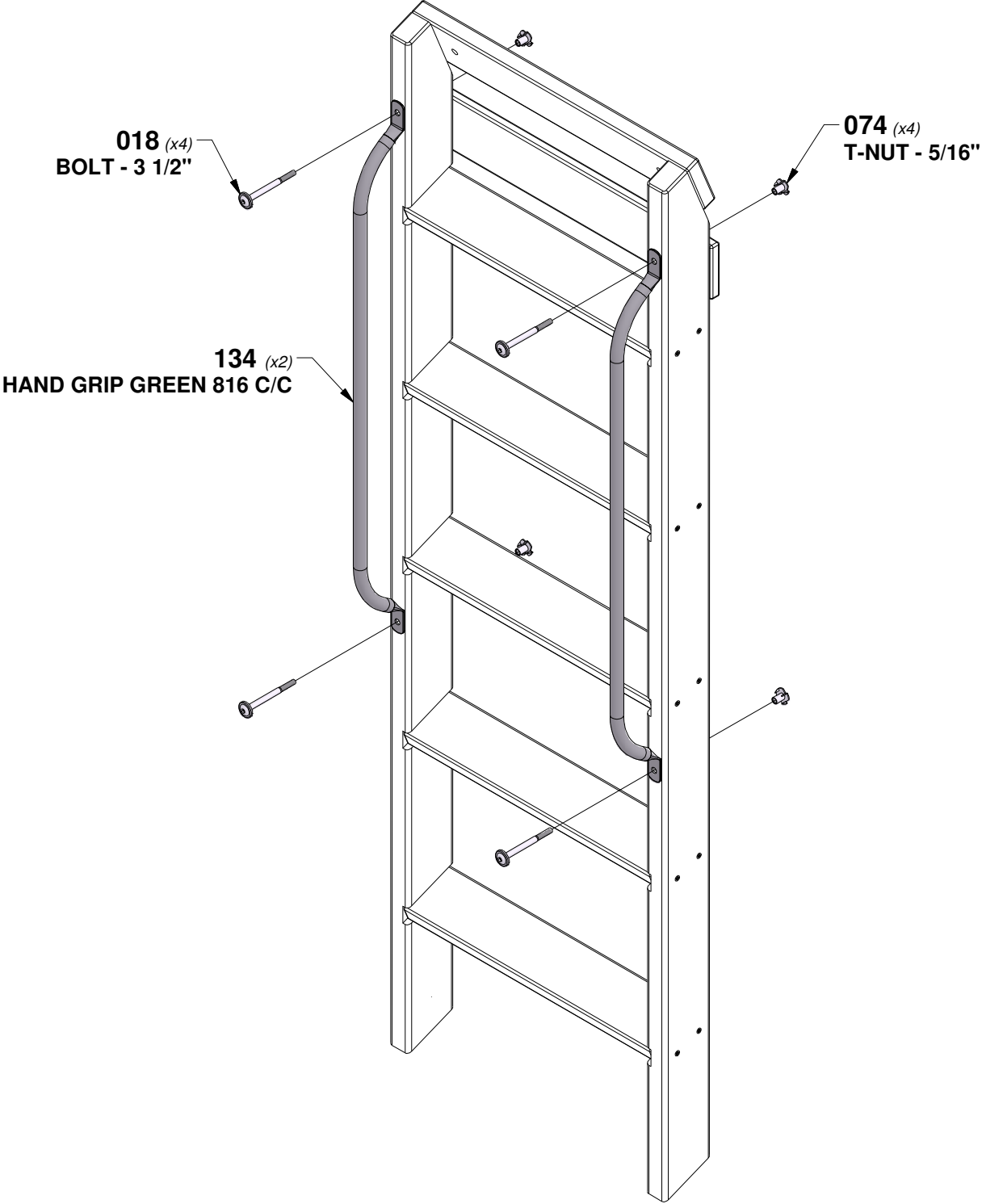


STEP 4 - LADDER

QTY	PART NUMBER	DESCRIPTION
4	H100018	BOLT WH 5/16x3 1/2
4	H100074	T-NUT 5/16

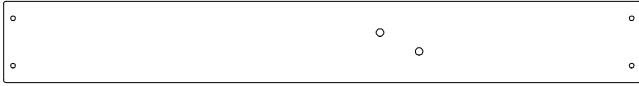


TIP:
INSTALL T-NUTS IN WOOD FIRST



STEP 1 - ROCK WALL

QTY	PART NUMBER	DESCRIPTION
24	H100063	BOLT PTH 1/4x3/4
24	H100072	T-NUT 1/4
24	H100108	WASHER LOCK INT 8x15



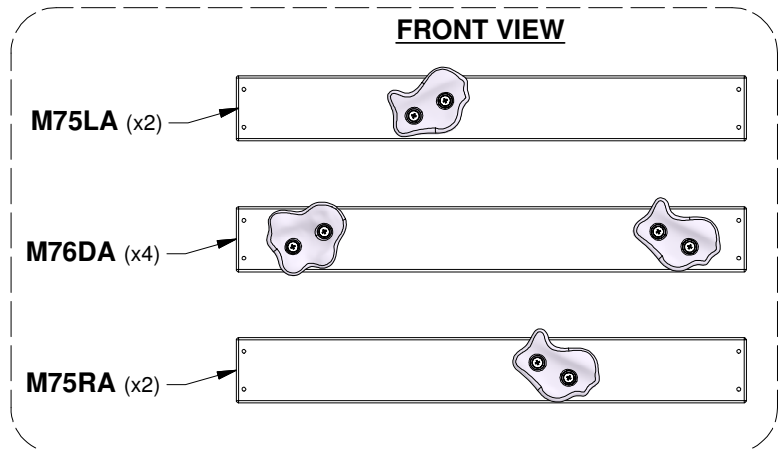
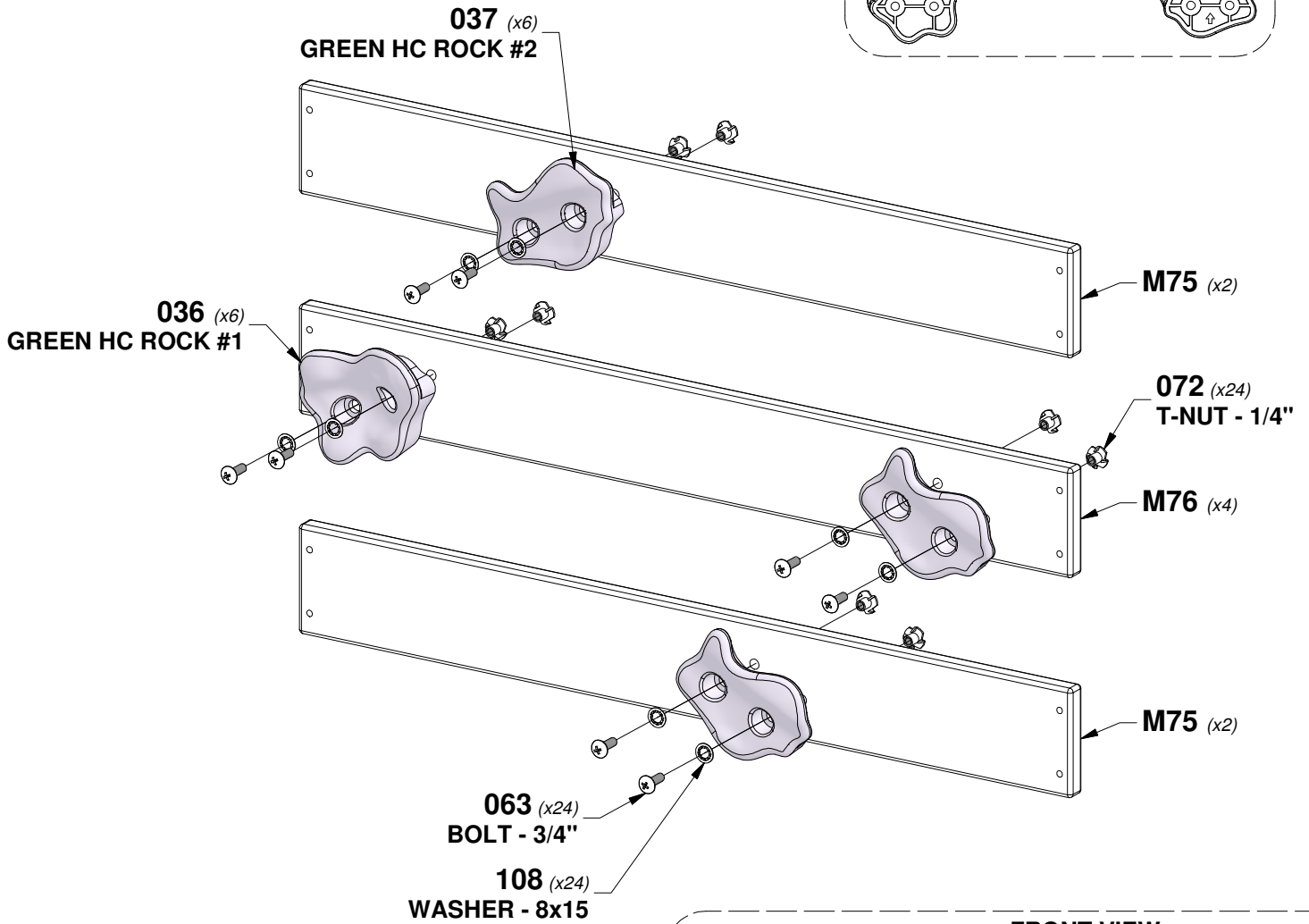
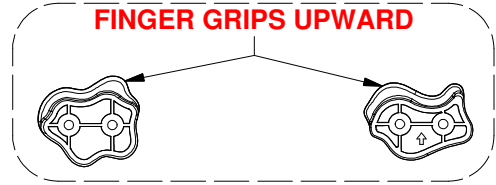
M75 | ROCK WALL BOARD - W4L16072
(x4) 5/8"x3 3/8"x26 5/8" (16x86x675)



M76 | ROCK WALL BOARD - W4L16073
(x4) 5/8"x3 3/8"x26 5/8" (16x86x675)

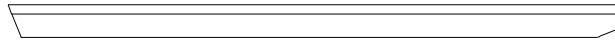
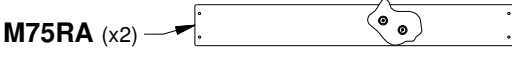
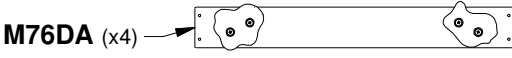


TIP:
INSTALL T-NUTS IN WOOD FIRST

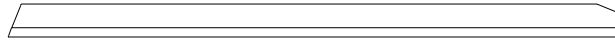


STEP 2 - ROCK WALL

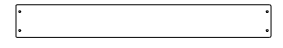
QTY	PART NUMBER	DESCRIPTION
74	H100086	SCREW PFH 8x1-1/2"



E72 | LEFT RAIL - W4L16007
(x1) | 1 3/8"x3 3/8"x64 1/2" (36x86x1640)



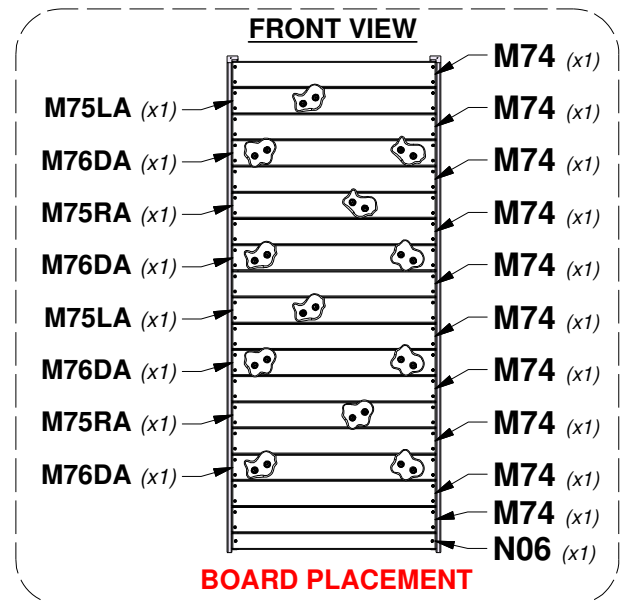
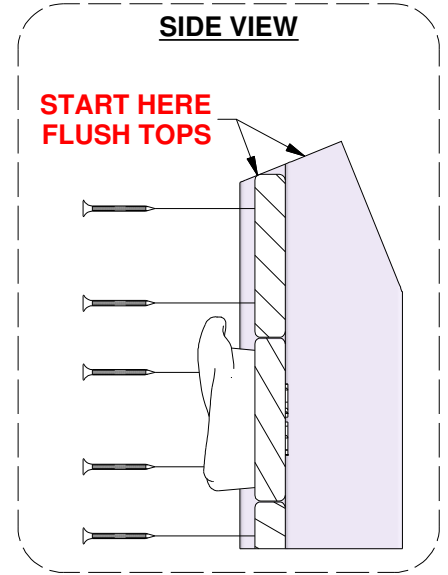
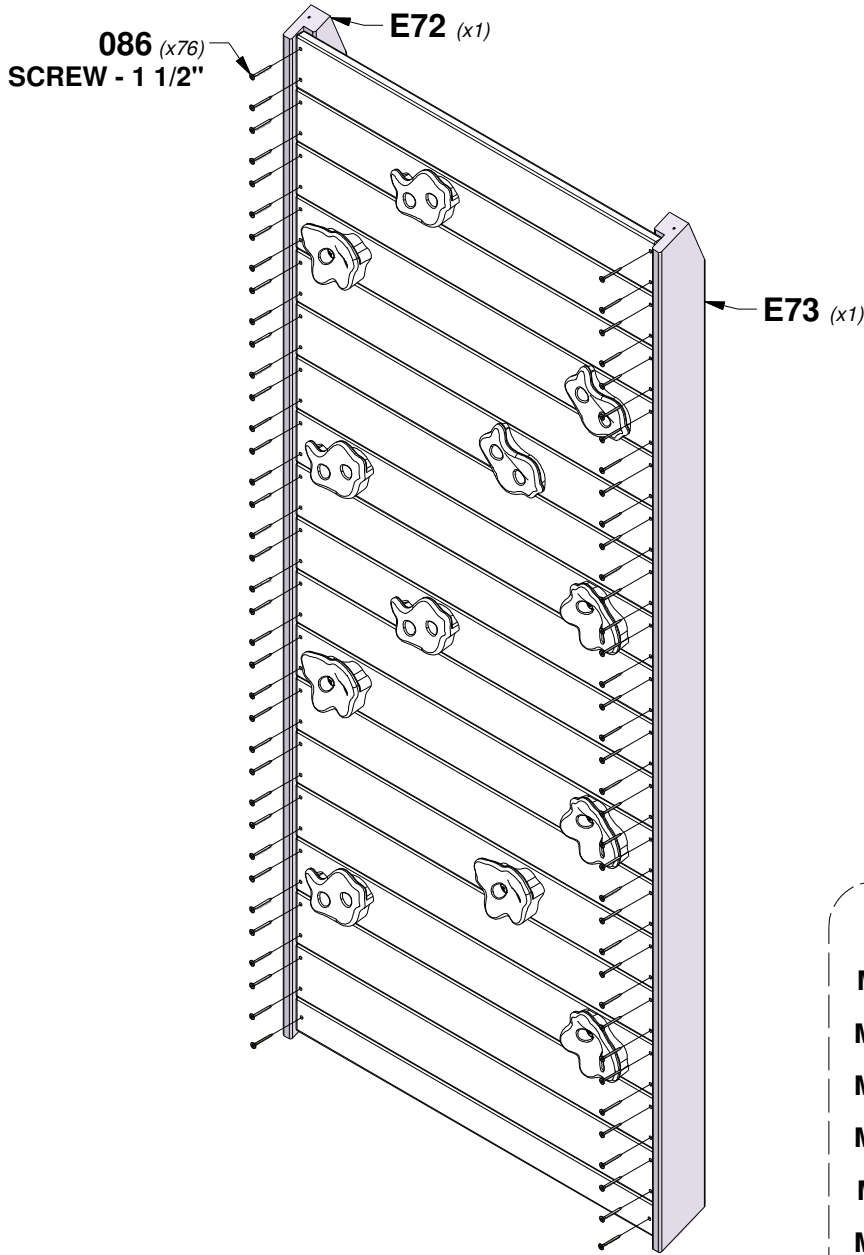
E73 | RIGHT RAIL - W4L16008
(x1) | 1 3/8"x3 3/8"x64 1/2" (36x86x1640)



M74 | ROCK WALL BOARD - W4L16071
(x10) | 5/8"x3 3/8"x26 5/8" (16x86x675)



N06 | FILLER BOARD - W4L16089
(x1) | 5/8"x2 1/8"x26 5/8" (16x54x675)

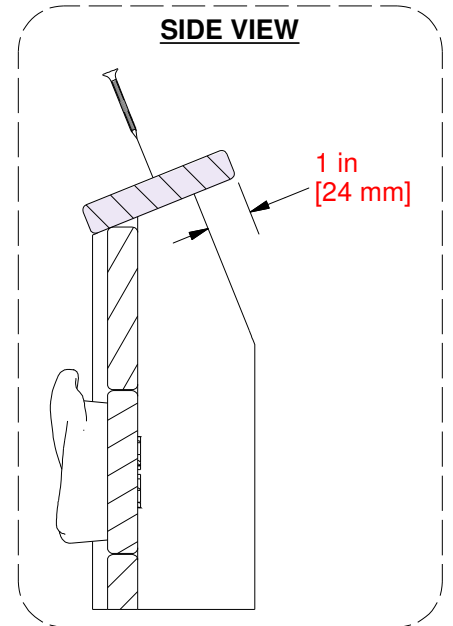
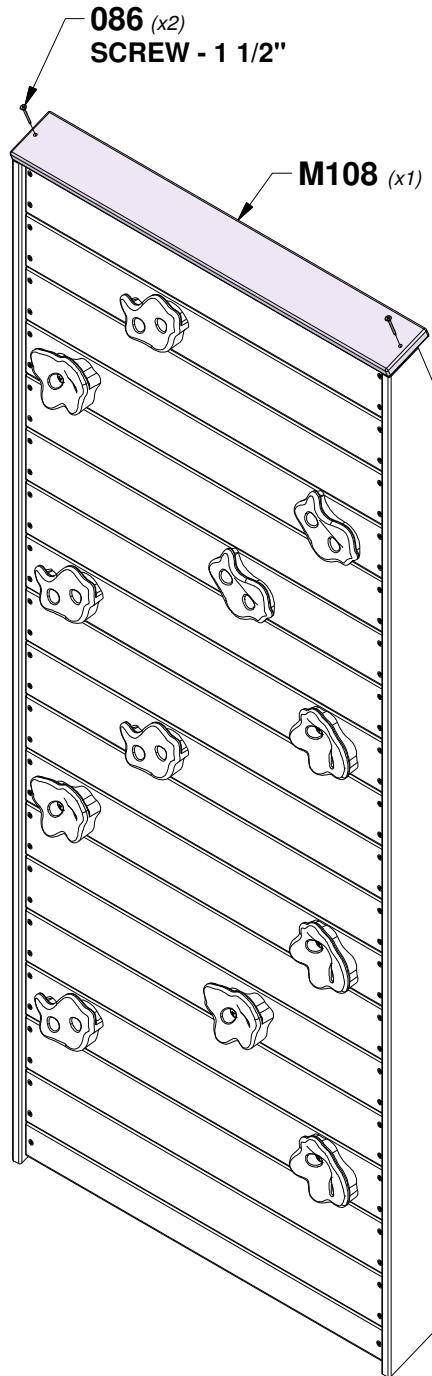


STEP 3 - ROCK WALL

QTY	PART NUMBER	DESCRIPTION
2	H100086	SCREW PFH 8x1-1/2"



M108 | TOP BOARD - W4L16046
(x1) | 5/8"x3 1/4"x27 7/8" (16x82x707)



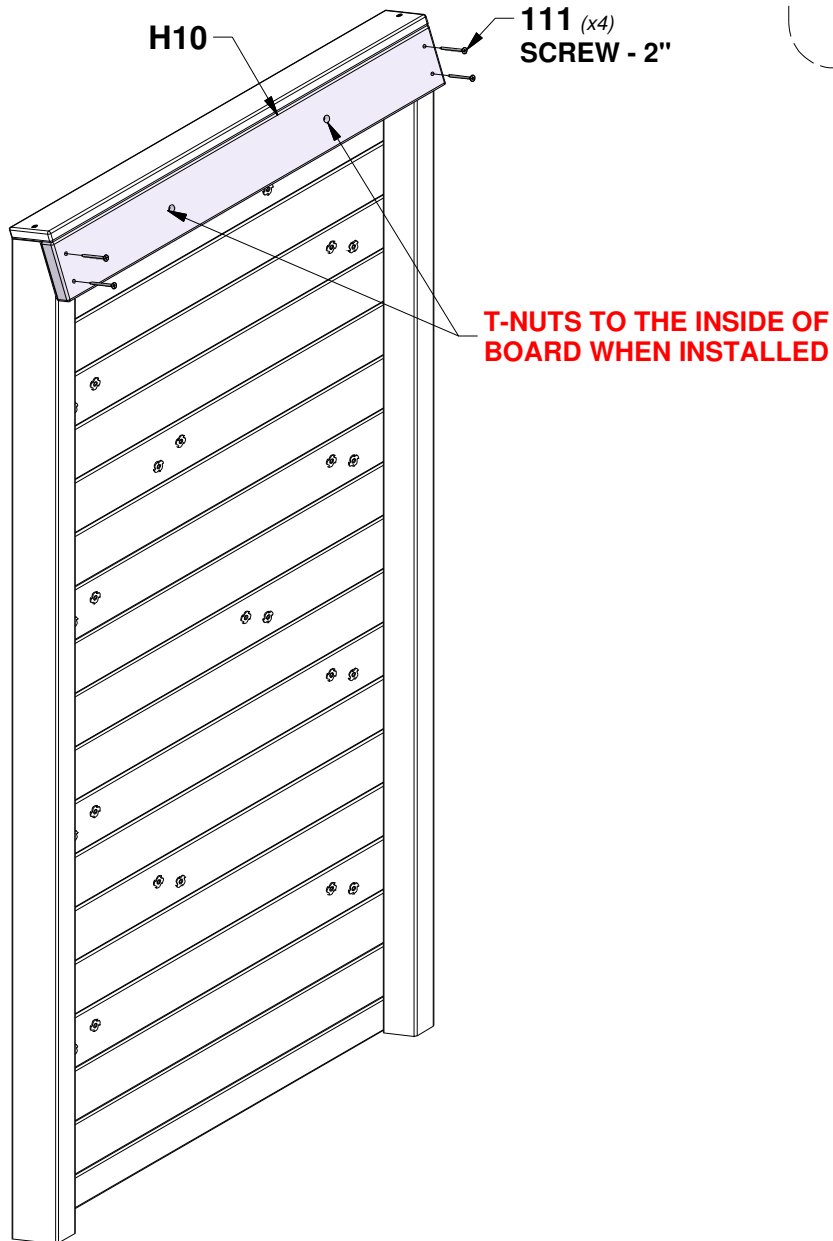
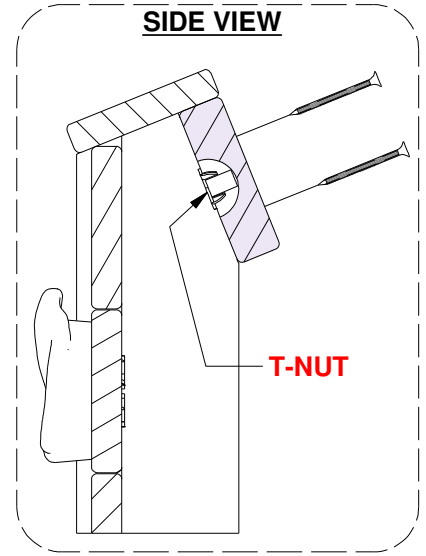
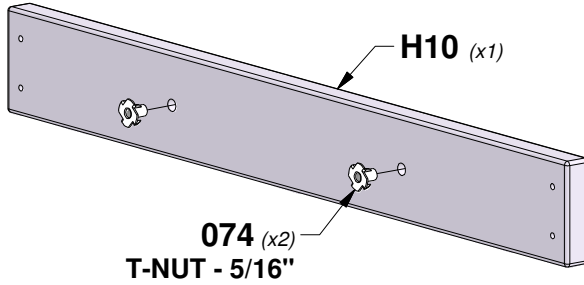
STEP 4 - ROCK WALL

QTY	PART NUMBER	DESCRIPTION
2	H100074	T-NUT 5/16
4	H100111	SCREW PFH 8x2"



H10 | ATTACHMENT BOARD - W4L16045
(x1) 1"x3 3/8"x27 7/8" (24x86x707)

TIP:
INSTALL T-NUTS IN WOOD FIRST

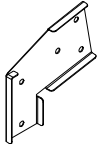


STEP 1 - SWING BEAM

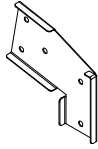
QTY	PART NUMBER	DESCRIPTION
3	H100005	NUT BARREL WH 5/16x7/8
3	H100016	BOLT WH 5/16x3
2	H100054	BOLT HEX 5/16x4 1/4
4	H100105	WASHER FLAT 8x27
2	H100110	NUT LOCK 5/16



A50 | SWING BEAM - W4L15998
(x1) | 3 3/8"x5 1/4"x89 1/2" (86x134x2274)



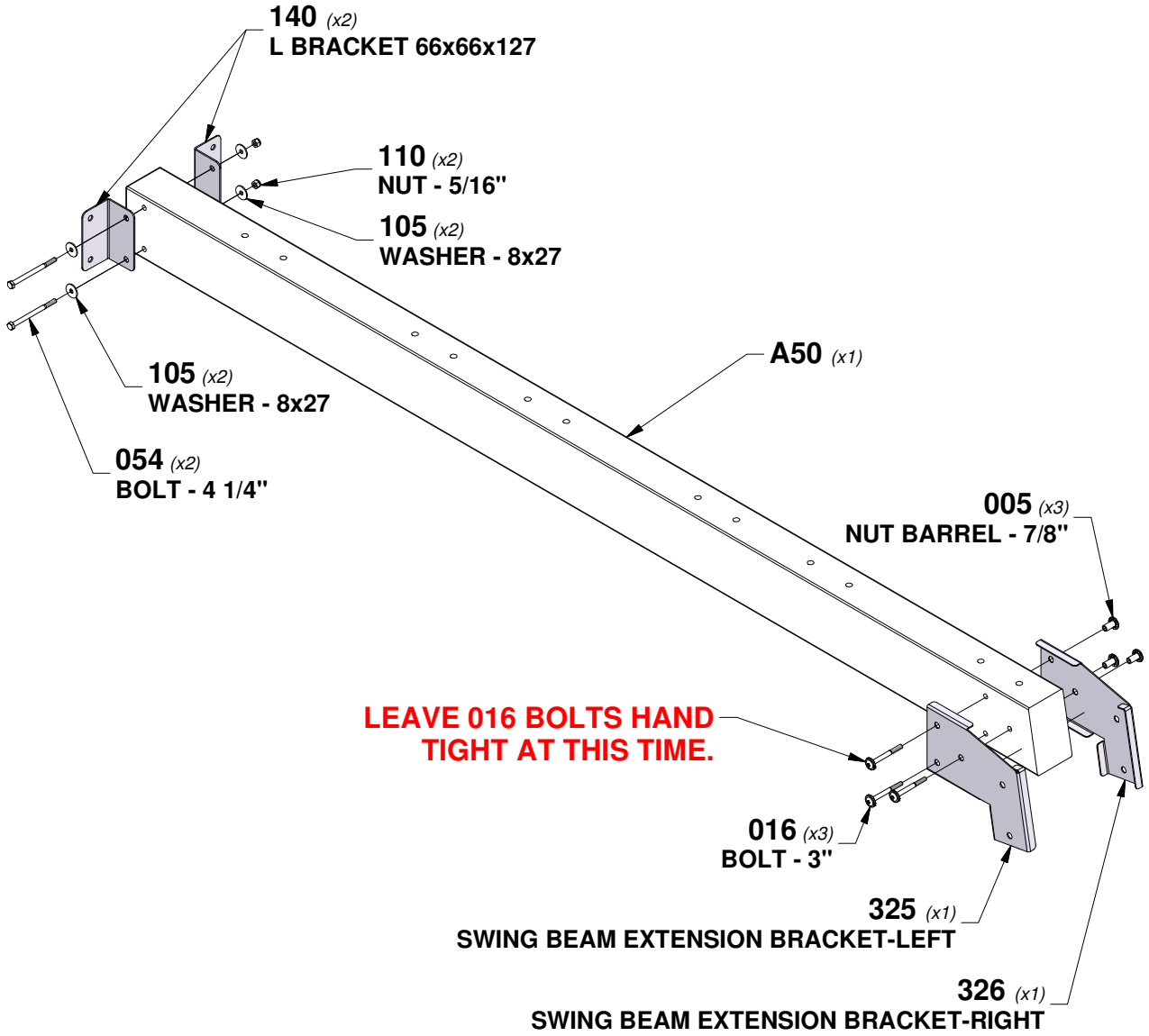
A100325 | SWING BEAM EXTENSION BRACKET-LEFT
(x1)



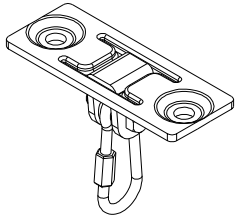
A100326 | SWING BEAM EXTENSION BRACKET-RIGHT
(x1)



A100140 | L BRACKET
(x2) | 66x66x127



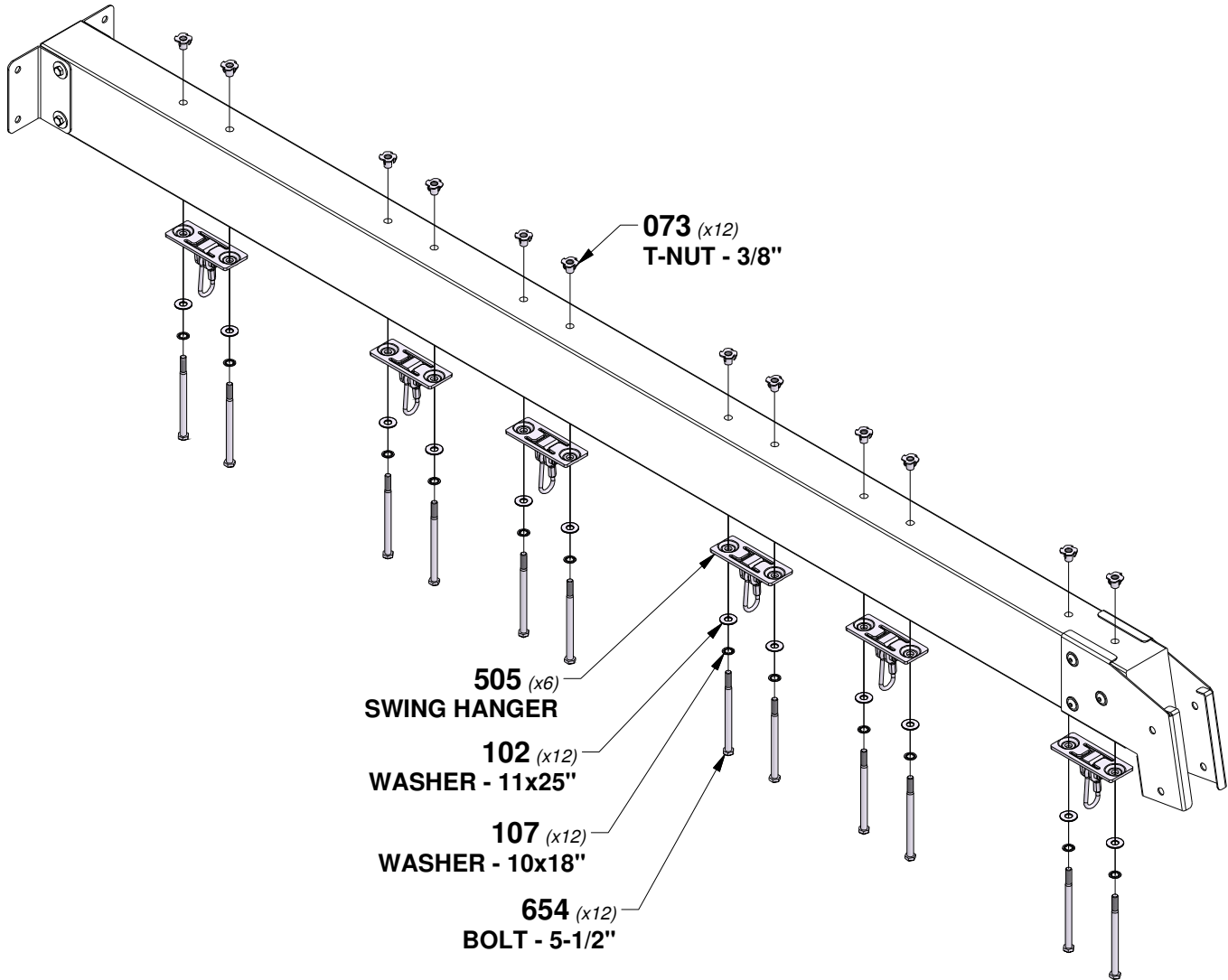
STEP 2 - SWING BEAM



A4M00505 | SWING HANGER
(x6)

QTY	PART NUMBER	DESCRIPTION
12	H100073	T-NUT 3/8
12	H100102	WASHER FLAT 11x25
12	H100107	WASHER LOCK INT 10x18
12	H100654	BOLT HEX 3/8x5-1/2

TIP:
INSTALL T-NUTS IN WOOD FIRST

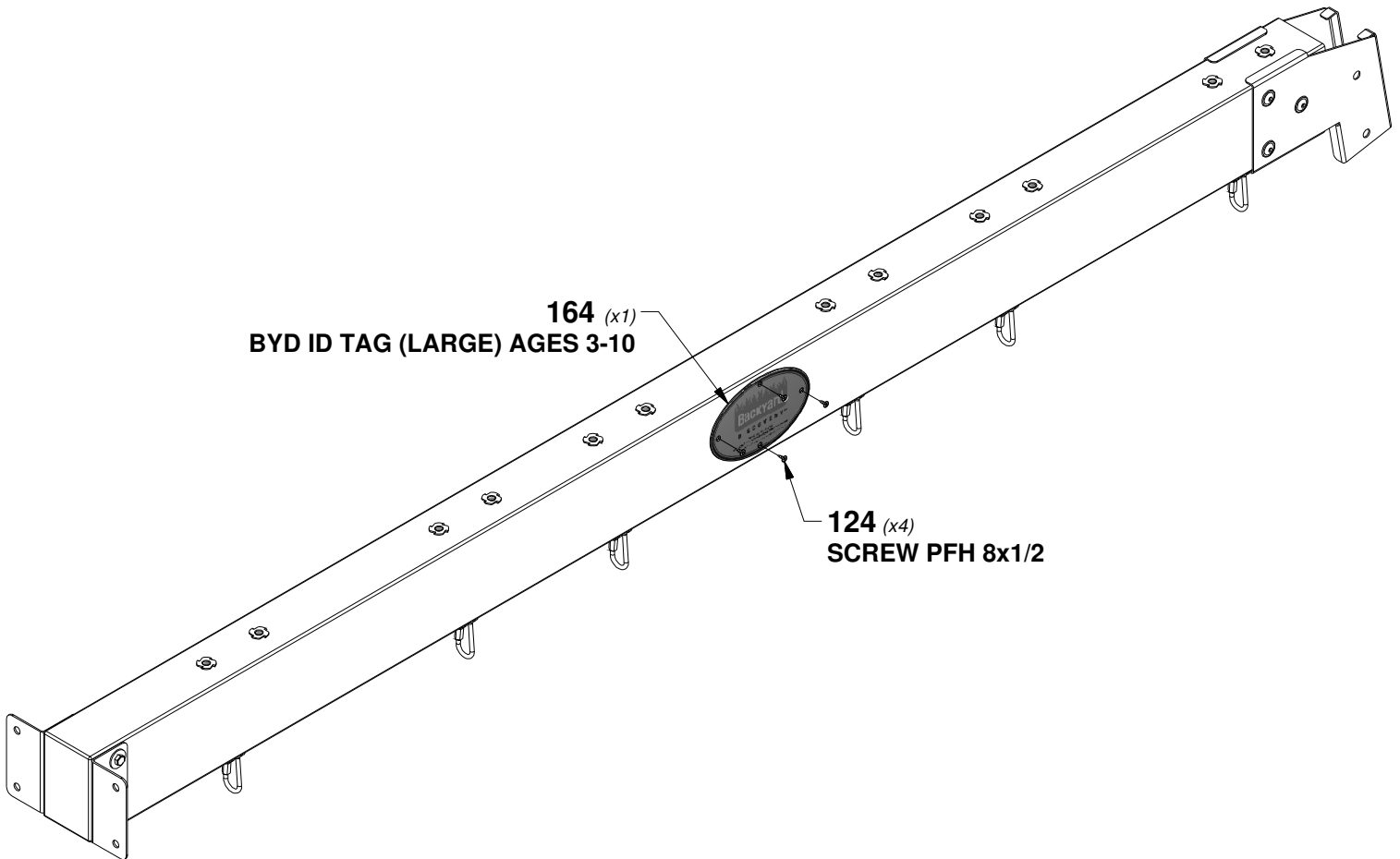


STEP 3 - SWING BEAM

QTY	PART NUMBER	DESCRIPTION
4	H100124	SCREW PFH 8x1/2



A100164
(x1) BYD ID TAG
(LARGE) AGES
3-10

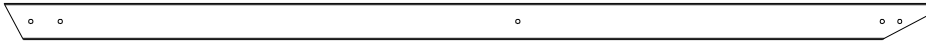


STEP 4 - SWING BEAM

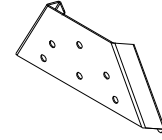
QTY	PART NUMBER	DESCRIPTION
4	H100009	BOLT WH 5/16x1 1/4
2	H100018	BOLT WH 5/16x3 1/2
6	H100074	T-NUT 5/16



SP50 | SWING BEAM SUPPORT - W4L16085
(x1) | 3 3/8"x3 3/8"x49 3/8" (86x86x1254)

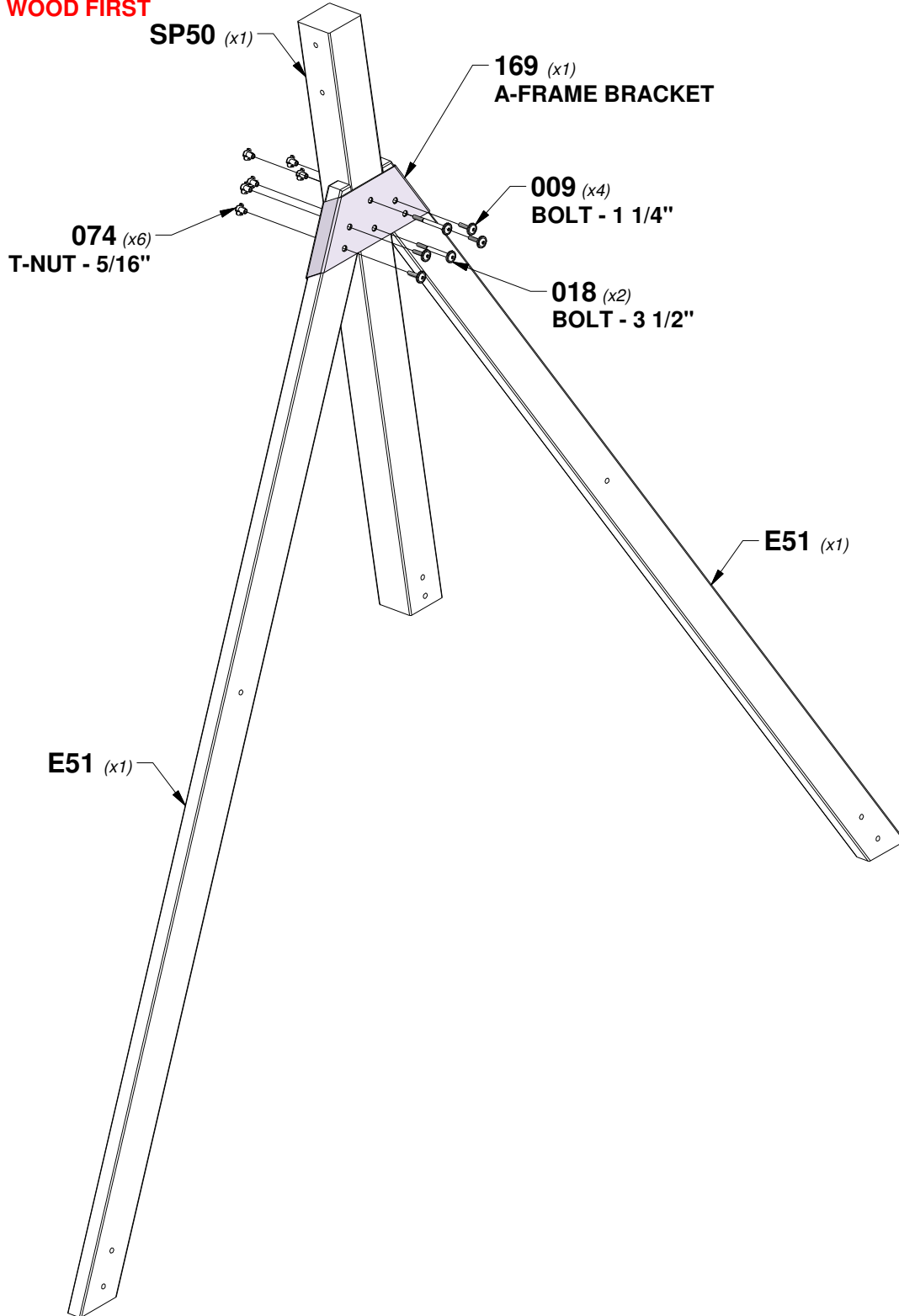


E51 | ANGLE BRACE - W4L16004
(x2) | 1 7/16"x3 3/8"x87 3/16" (36x86x2214)

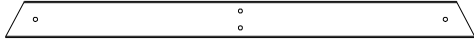


A4M01169 | A-FRAME BRACKET
(x1)

TIP:
INSTALL T-NUTS IN WOOD FIRST



STEP 5 - SWING BEAM



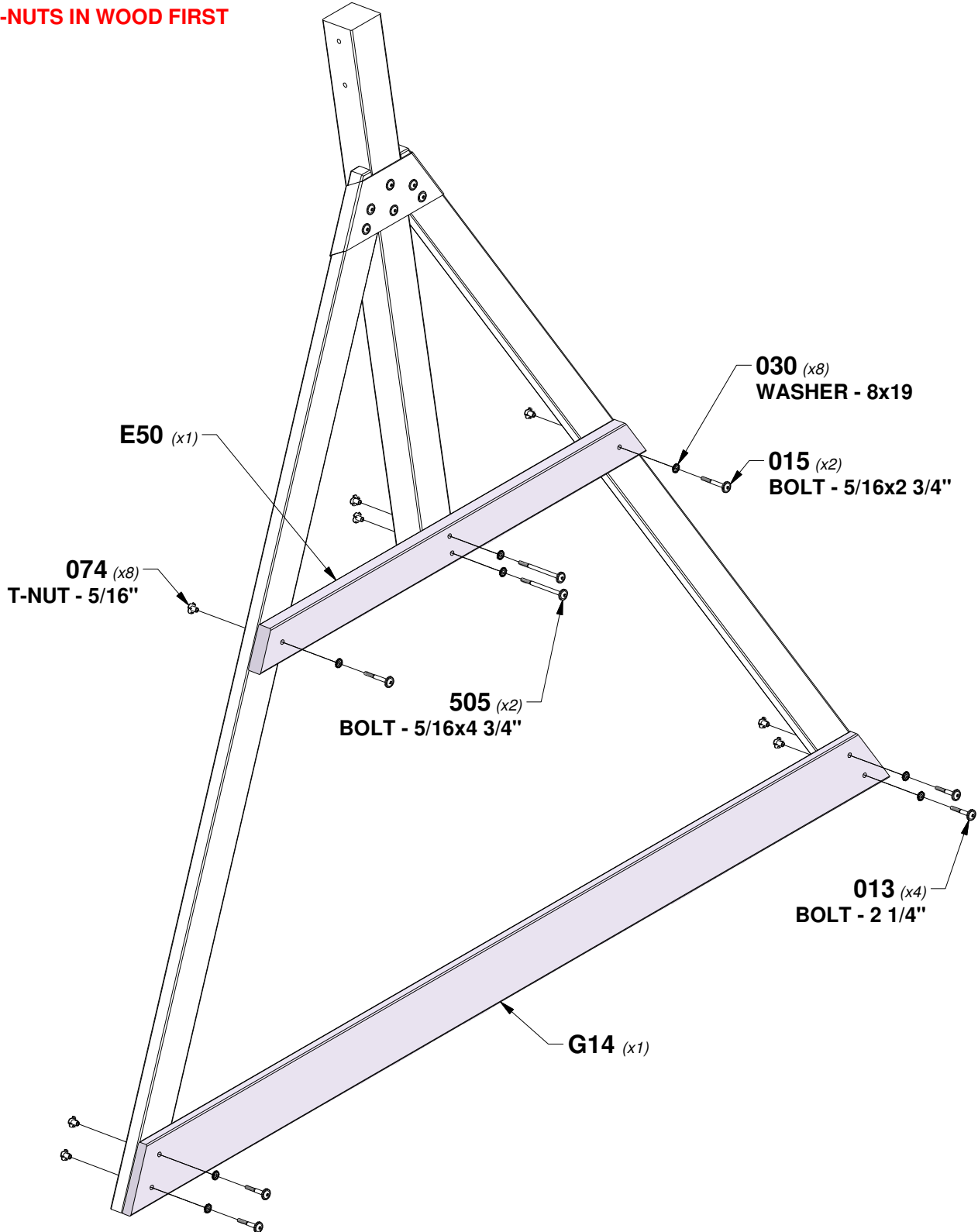
E50 | END SUPPORT - W4L16003
(x1) | 1 3/8"x3 3/8"x44 1/8" (36x86x1120)



G14 | GROUND BOARD - W4L16019
(x1) | 15/16"x5 1/4"x86 11/16" (24x134x2202)

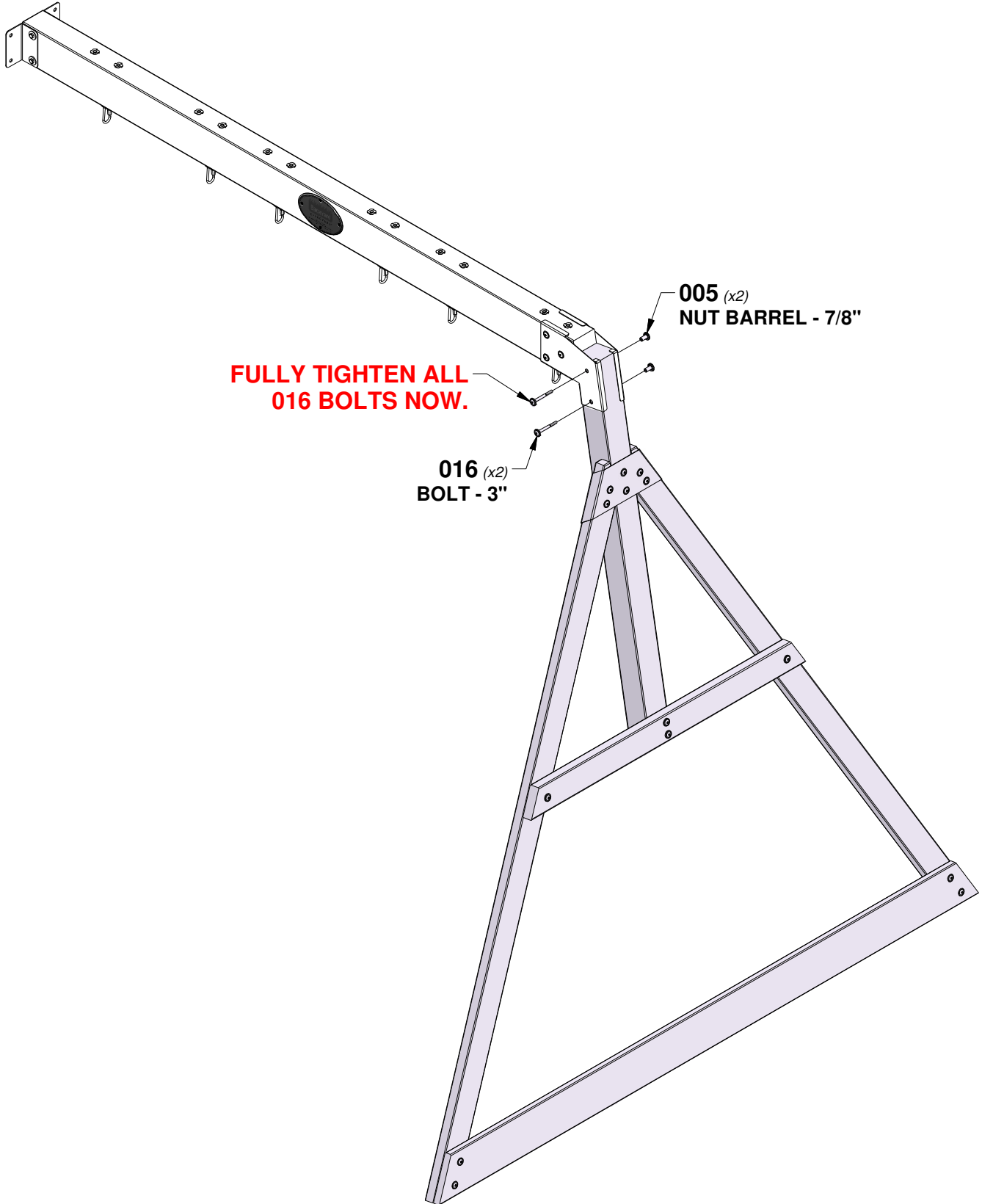
QTY	PART NUMBER	DESCRIPTION
4	H100013	BOLT WH 5/16x2 1/4
2	H100015	BOLT WH 5/16x2 3/4
8	H100030	WASHER LOCK EXT 8x19
8	H100074	T-NUT 5/16
2	H100505	BOLT WH 5/16x4 3/4

TIP:
INSTALL T-NUTS IN WOOD FIRST



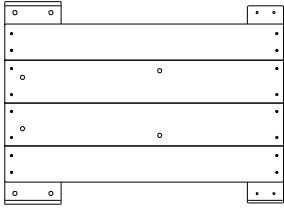
STEP 6 - SWING BEAM

QTY	PART NUMBER	DESCRIPTION
2	H100005	NUT BARREL WH 5/16x7/8
2	H100016	BOLT WH 5/16x3

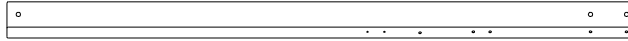


STEP 1 - FORT ASSEMBLY

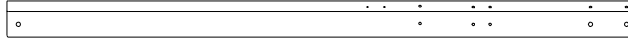
QTY	PART NUMBER	DESCRIPTION
4	H100027	LAG SCREW WH 5/16x2
4	H100030	WASHER LOCK EXT 8x19
4	H100089	SCREW PFH 8x1-3/4"



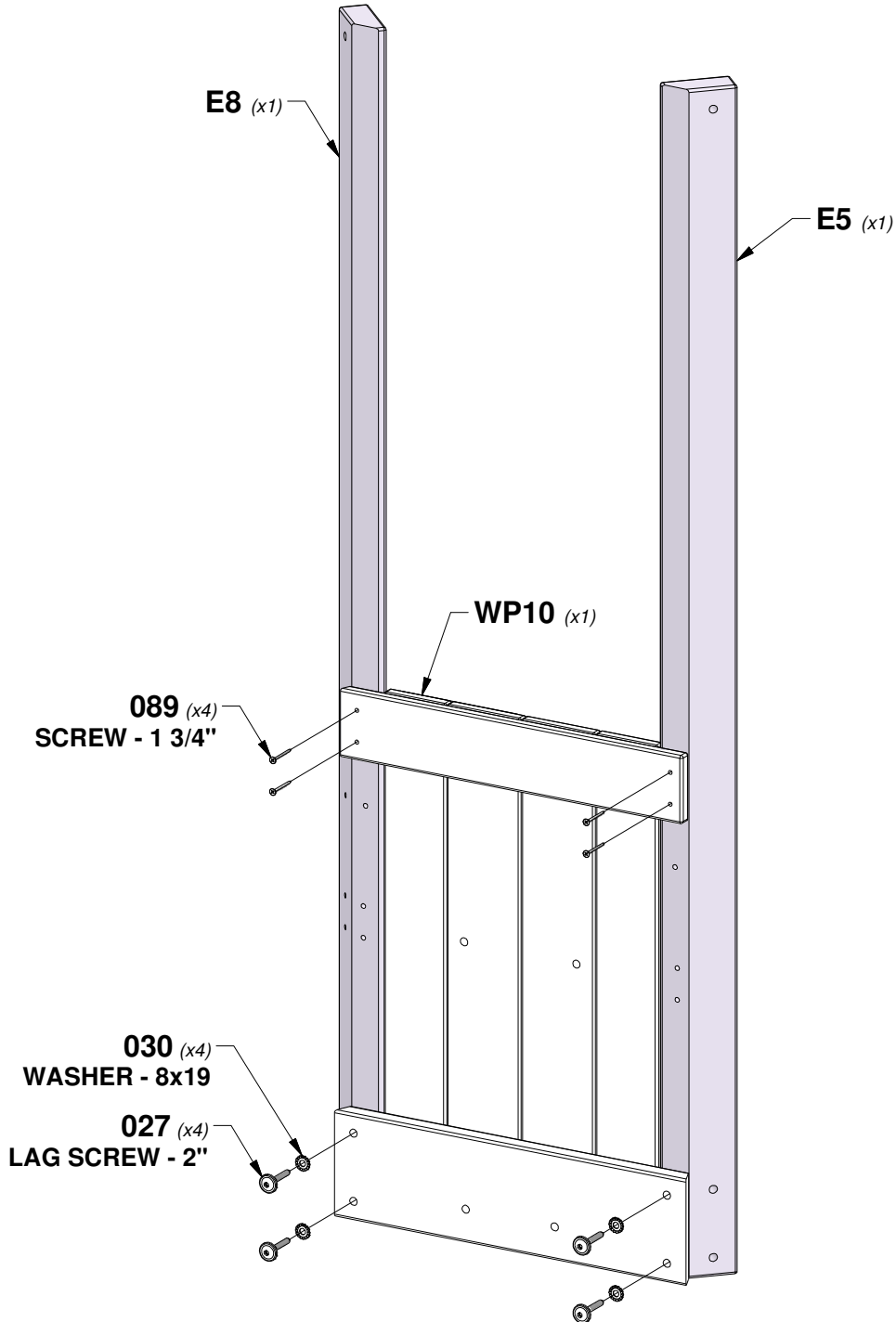
WP10 | LEFT WALL PANEL - W2A01470
 (x1) | 1 5/8"x19"x26 1/8" (40x482x664)



E5 | LEFT UPRIGHT - W4L16110
 (x1) | 1 3/8"x3 3/8"x59" (36x86x1500)



E8 | RIGHT UPRIGHT - W4L16113
 (x1) | 1 3/8"x3 3/8"x59" (36x86x1500)

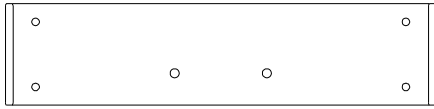


STEP 2 - FORT ASSEMBLY

QTY	PART NUMBER	DESCRIPTION
4	H100013	BOLT WH 5/16x2 1/4
4	H100030	WASHER LOCK EXT 8x19
4	H100074	T-NUT 5/16

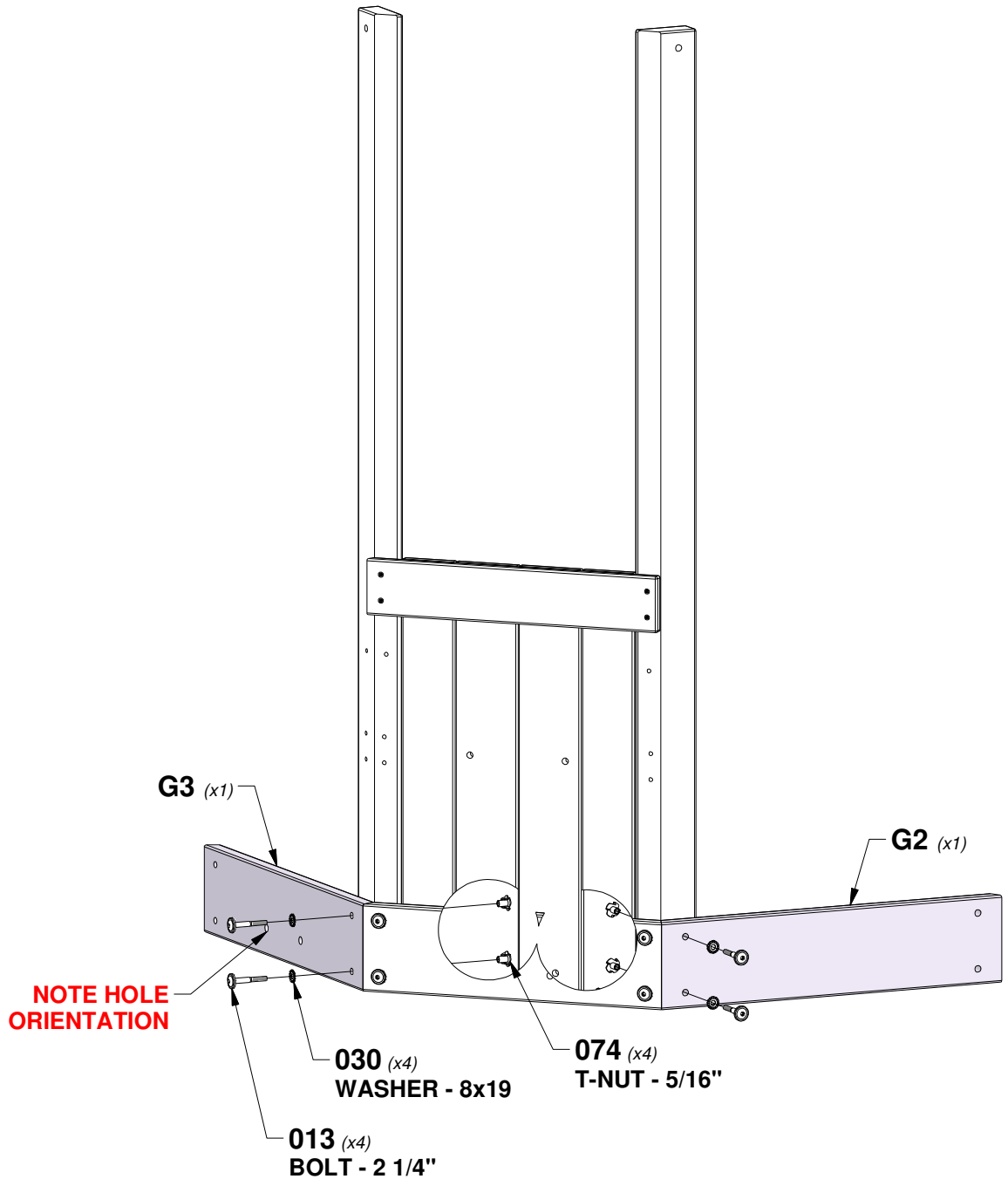


G2 | GROUND BOARD - W4L04459
(x1) | 1"x5 1/4"x22 3/8" (24x134x570)



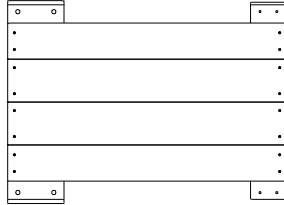
G3 | GROUND BOARD - W4L04541
(x1) | 1"x5 1/4"x22 3/8" (24x134x570)

TIP:
INSTALL T-NUTS IN WOOD FIRST

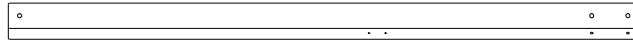


STEP 3 - FORT ASSEMBLY

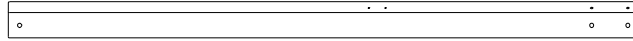
QTY	PART NUMBER	DESCRIPTION
2	H100013	BOLT WH 5/16x2 1/4
4	H100027	LAG SCREW WH 5/16x2
6	H100030	WASHER LOCK EXT 8x19
2	H100074	T-NUT 5/16
4	H100089	SCREW PFH 8x1-3/4"



WP9 | RIGHT WALL PANEL - W2A01410
(x1) | 1 5/8"x19"x26 1/8" (40x482x664)

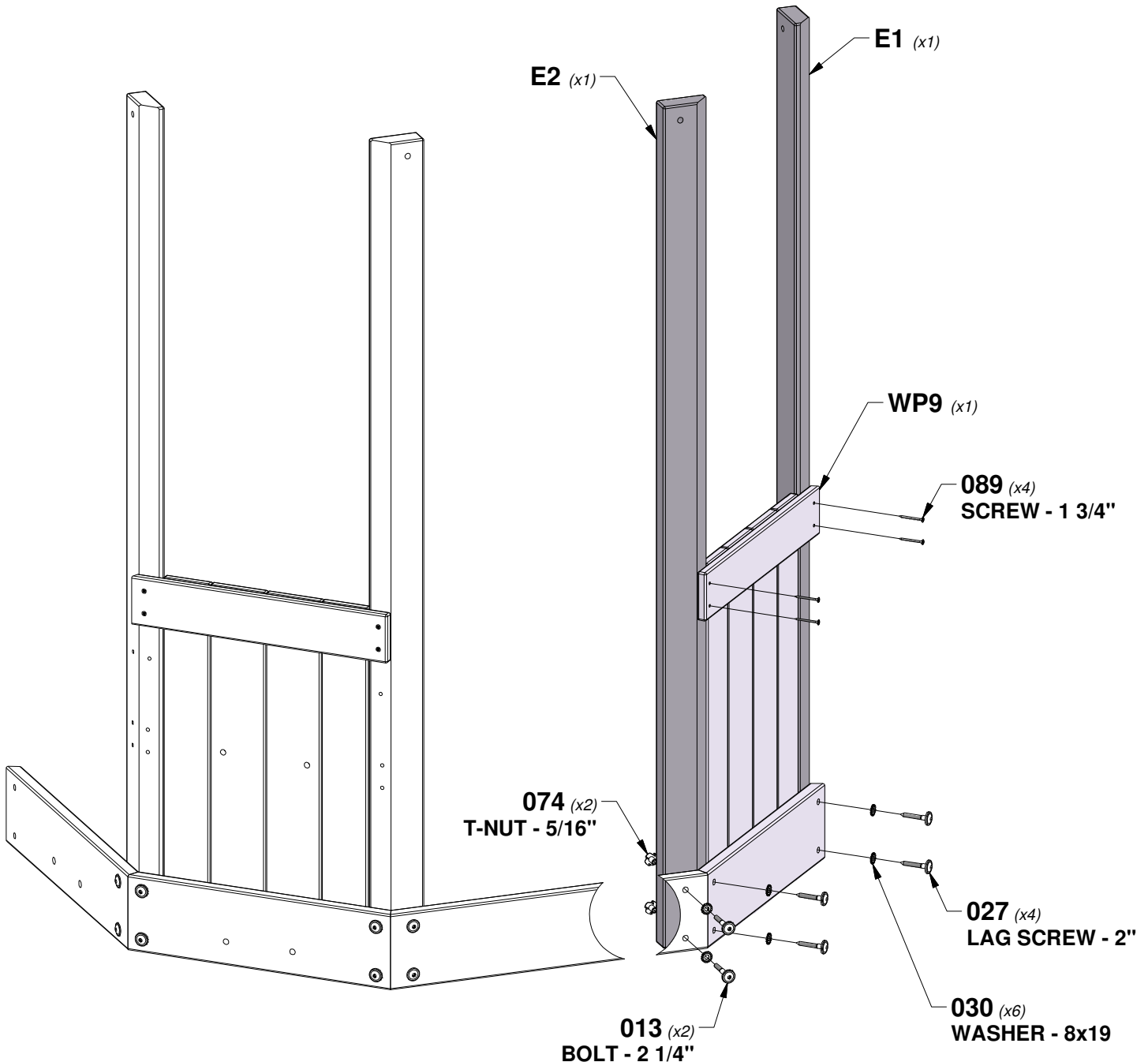


E1 | LEFT UPRIGHT - W4L04458
(x1) | 1 3/8"x3 3/8"x59" (36x86x1500)



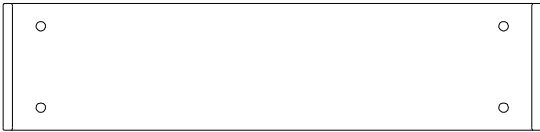
E2 | RIGHT UPRIGHT - W4L04463
(x1) | 1 3/8"x3 3/8"x59" (36x86x1500)

TIP:
INSTALL T-NUTS IN WOOD FIRST



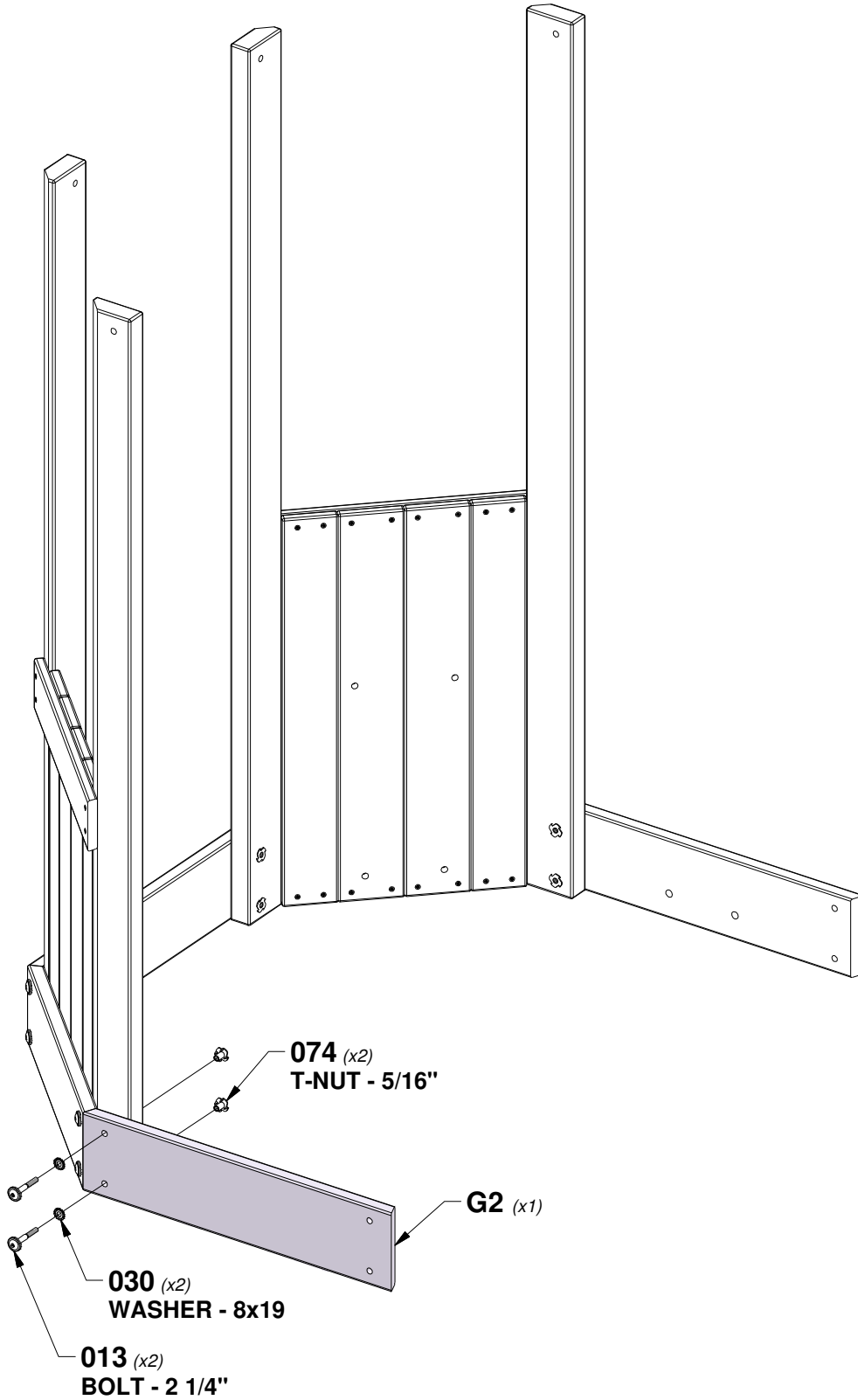
STEP 4 - FORT ASSEMBLY

QTY	PART NUMBER	DESCRIPTION
2	H100013	BOLT WH 5/16x2 1/4
2	H100030	WASHER LOCK EXT 8x19
2	H100074	T-NUT 5/16



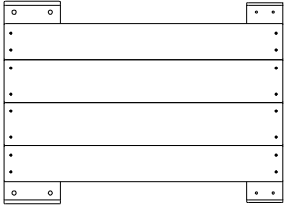
G2 | GROUND BOARD - W4L04459
 (x1) | 1"x5 1/4"x22 3/8" (24x134x570)

TIP:
INSTALL T-NUTS IN WOOD FIRST

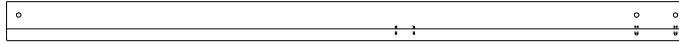


STEP 5 - FORT ASSEMBLY

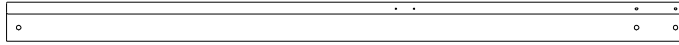
QTY	PART NUMBER	DESCRIPTION
2	H100013	BOLT WH 5/16x2 1/4
4	H100027	LAG SCREW WH 5/16x2
6	H100030	WASHER LOCK EXT 8x19
2	H100074	T-NUT 5/16
4	H100089	SCREW PFH 8x1-3/4"



WP8 | WALL PANEL - W2A01409
(x1) | 1 5/8"x19"x26 1/8" (40x482x664)

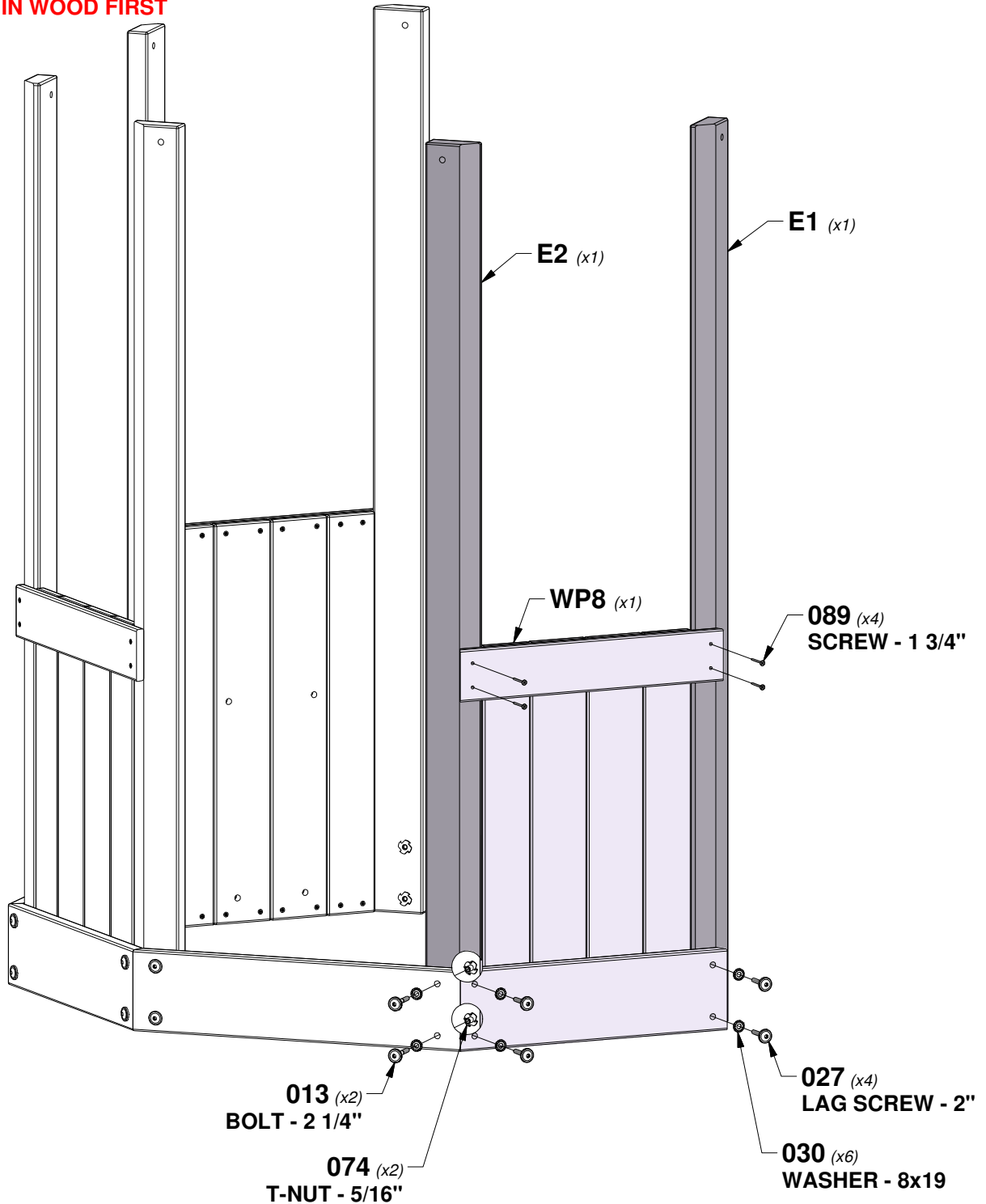


E1 | LEFT UPRIGHT - W4L04458
(x1) | 1 3/8"x3 3/8"x59" (36x86x1500)



E2 | RIGHT UPRIGHT - W4L04463
(x1) | 1 3/8"x3 3/8"x59" (36x86x1500)

TIP:
INSTALL T-NUTS IN WOOD FIRST



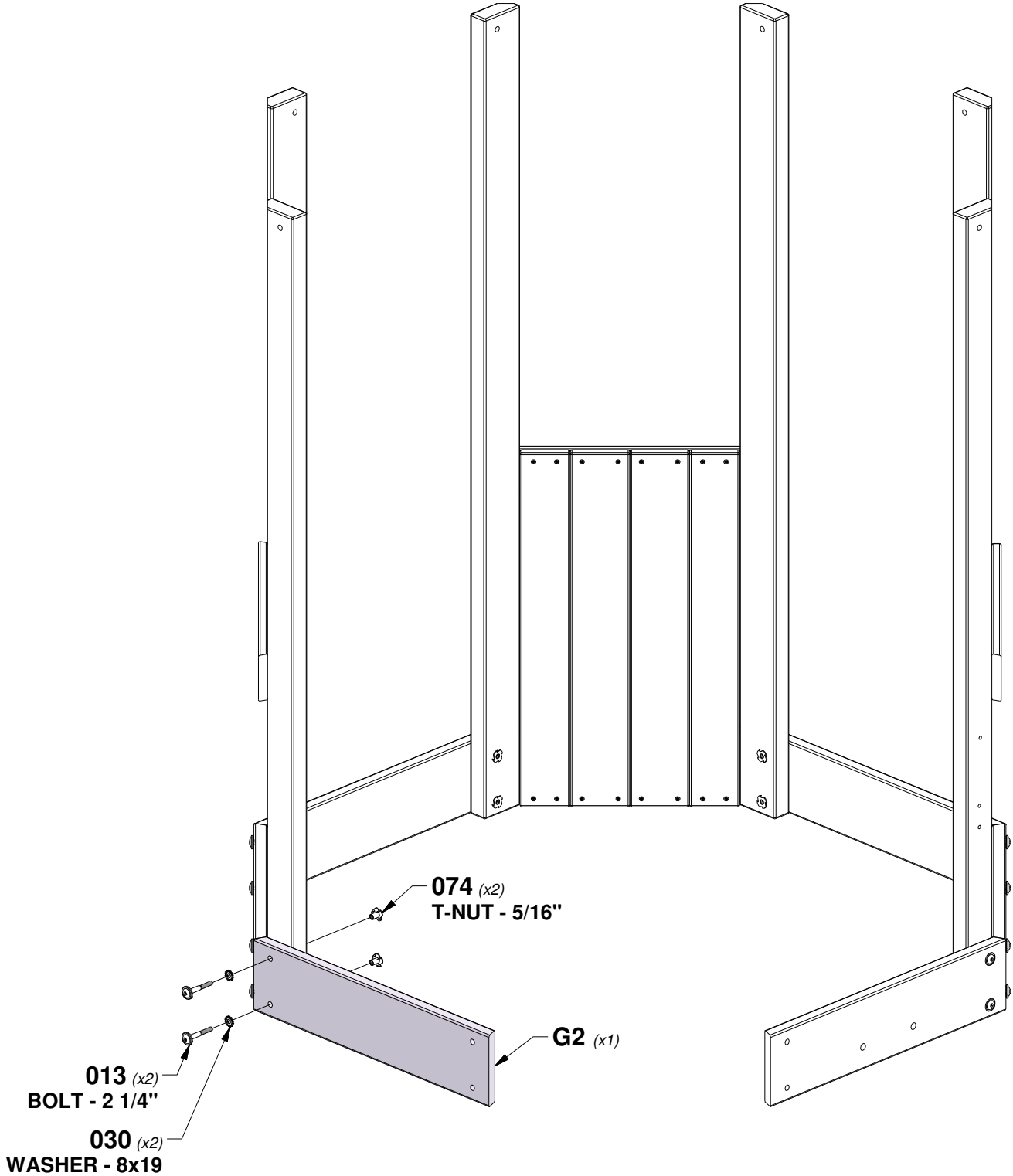
STEP 6 - FORT ASSEMBLY

QTY	PART NUMBER	DESCRIPTION
2	H100013	BOLT WH 5/16x2 1/4
2	H100030	WASHER LOCK EXT 8x19
2	H100074	T-NUT 5/16



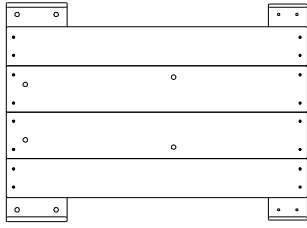
G2 | GROUND BOARD - W4L04459
 (x1) | 1"x5 1/4"x22 3/8" (24x134x570)

TIP:
INSTALL T-NUTS IN WOOD FIRST

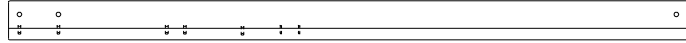


STEP 7 - FORT ASSEMBLY

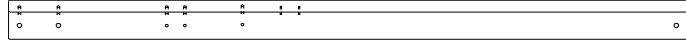
QTY	PART NUMBER	DESCRIPTION
4	H100013	BOLT WH 5/16x2 1/4
4	H100027	LAG SCREW WH 5/16x2
8	H100030	WASHER LOCK EXT 8x19
4	H100074	T-NUT 5/16
4	H100089	SCREW PFH 8x1-3/4"



WP12 | WALL PANEL - W2A01480
(x1) | 1 5/8"x19"x26 1/8" (40x482x664)

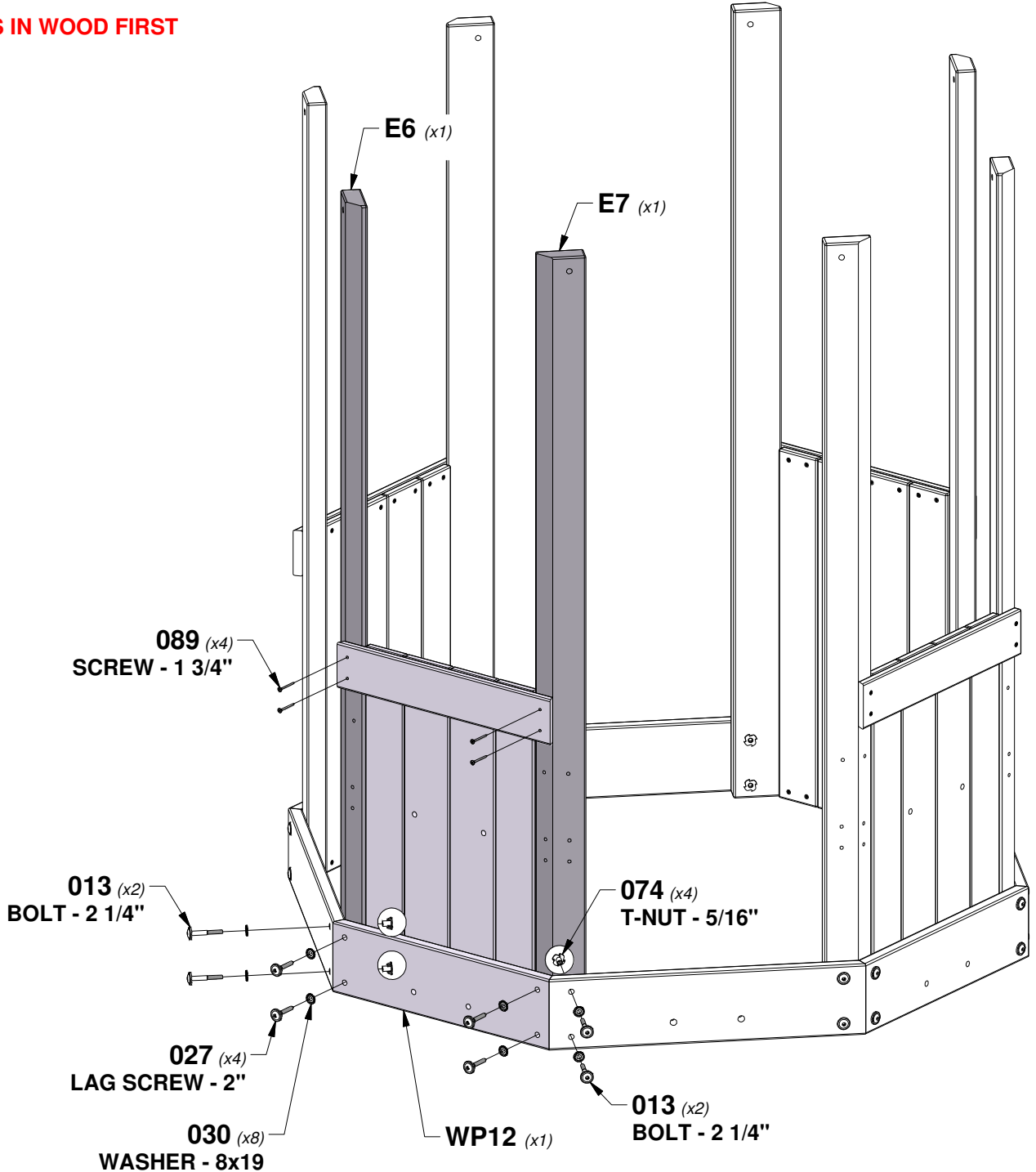


E6 | RIGHT UPRIGHT - W4L16111
(x1) | 1 3/8"x3 3/8"x59" (36x86x1500)



E7 | LEFT UPRIGHT - W4L16112
(x1) | 1 3/8"x3 3/8"x59" (36x86x1500)

TIP:
INSTALL T-NUTS IN WOOD FIRST

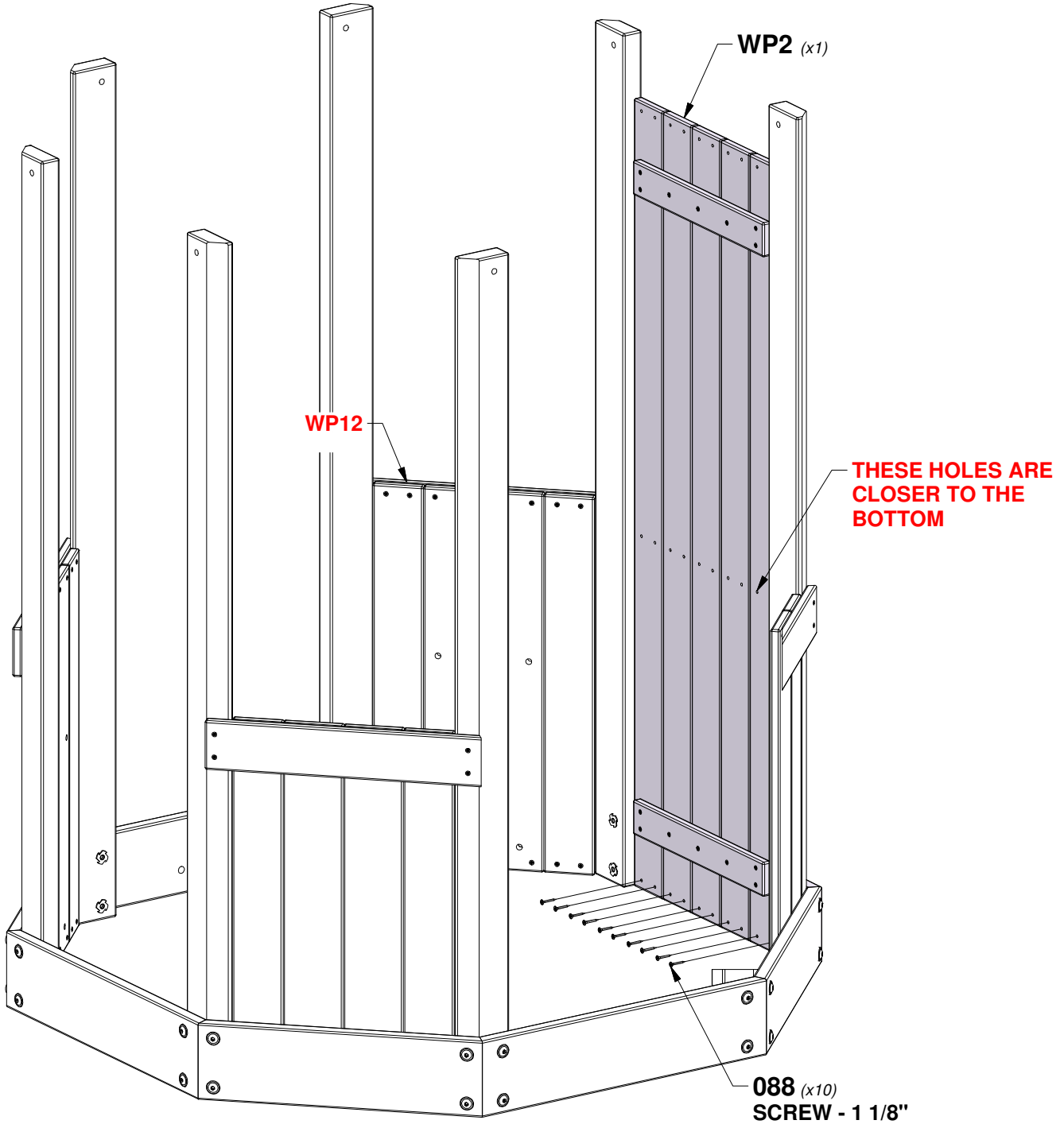


STEP 8 - FORT ASSEMBLY

QTY	PART NUMBER	DESCRIPTION
10	H100088	SCREW PFH 8x1-1/8"



WP2 | WALL PANEL - W2A01408
(x1) | 1 1/4"x16 7/8"x54 1/2" (32x430x1384)

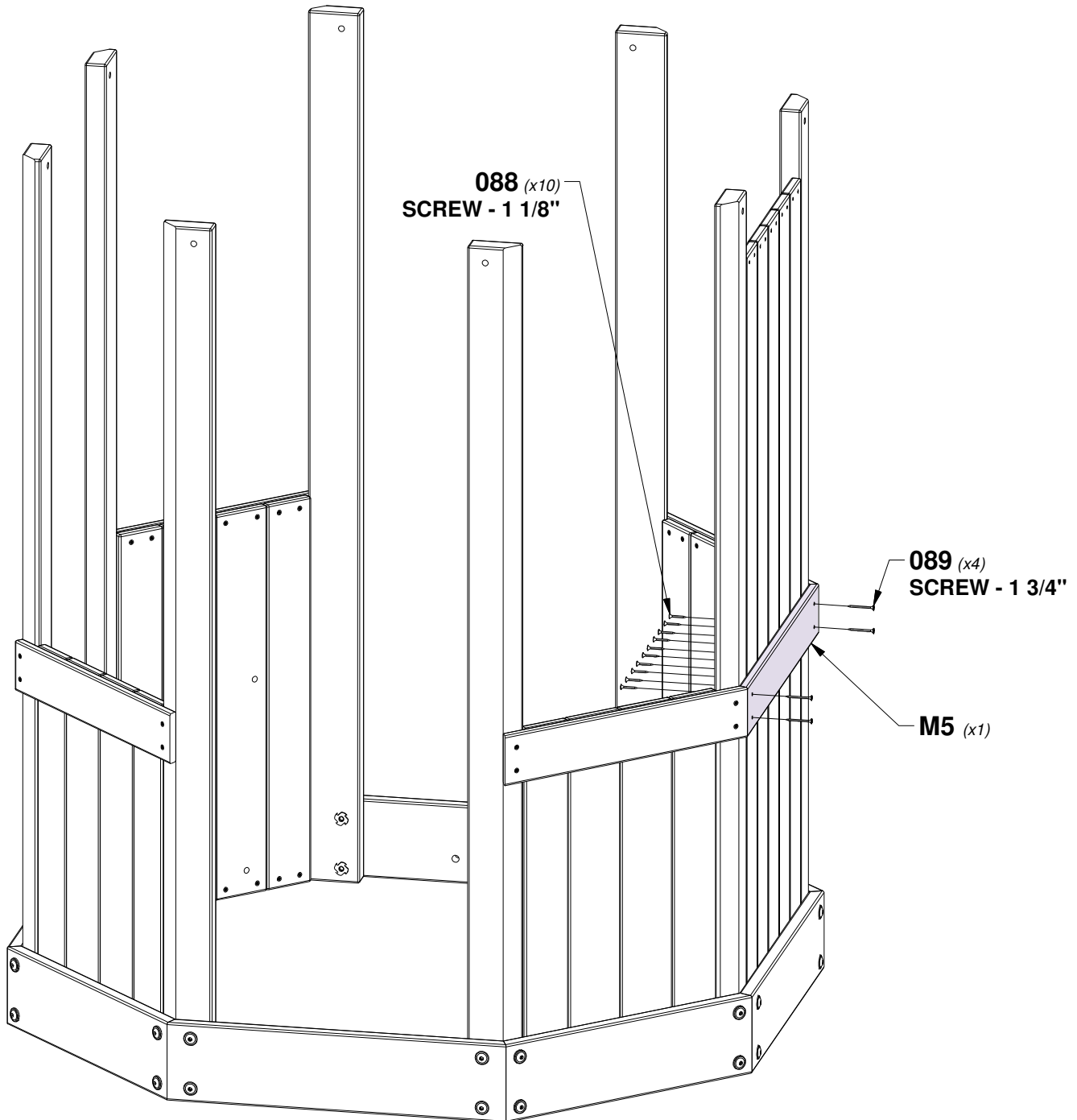


STEP 9 - FORT ASSEMBLY

QTY	PART NUMBER	DESCRIPTION
10	H100088	SCREW PFH 8x1-1/8"
4	H100089	SCREW PFH 8x1-3/4"

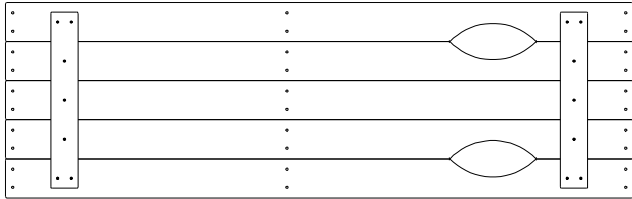


M5 | WALL RAIL - W4L04465
 (x1) | 5/8"x3 3/8"x22" (16x86x563)

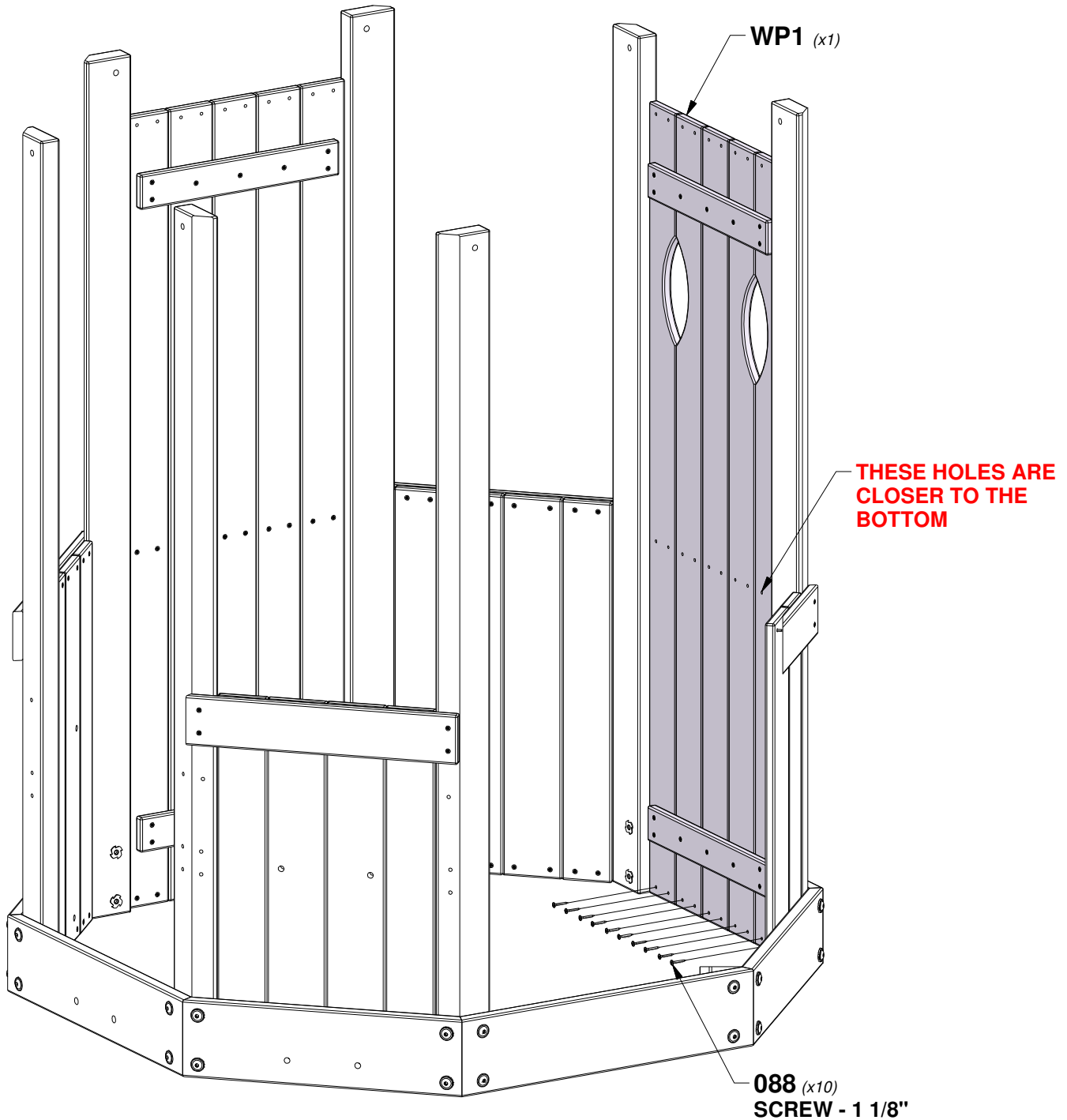


STEP 10 - FORT ASSEMBLY

QTY	PART NUMBER	DESCRIPTION
10	H100088	SCREW PFH 8x1-1/8"



WP1 | WALL PANEL - W2A03409
 (x1) | 1 1/4"x16 7/8"x54 1/2" (32x430x1384)

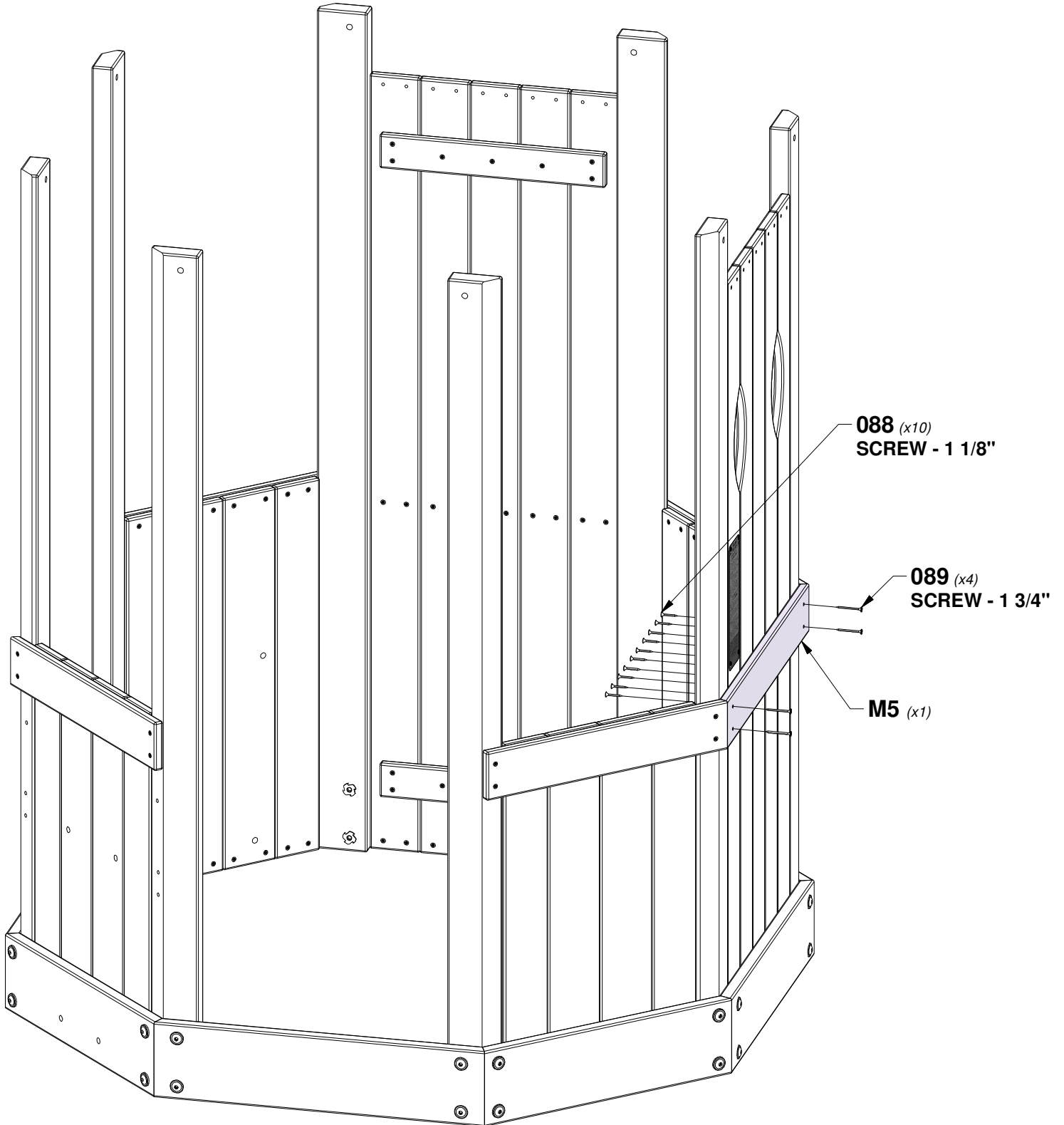


STEP 11 - FORT ASSEMBLY

QTY	PART NUMBER	DESCRIPTION
10	H100088	SCREW PFH 8x1-1/8"
4	H100089	SCREW PFH 8x1-3/4"

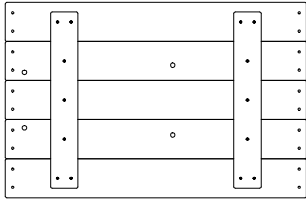


M5 | WALL RAIL - W4L04465
 (x1) | 5/8"x3 3/8"x22" (16x86x563)

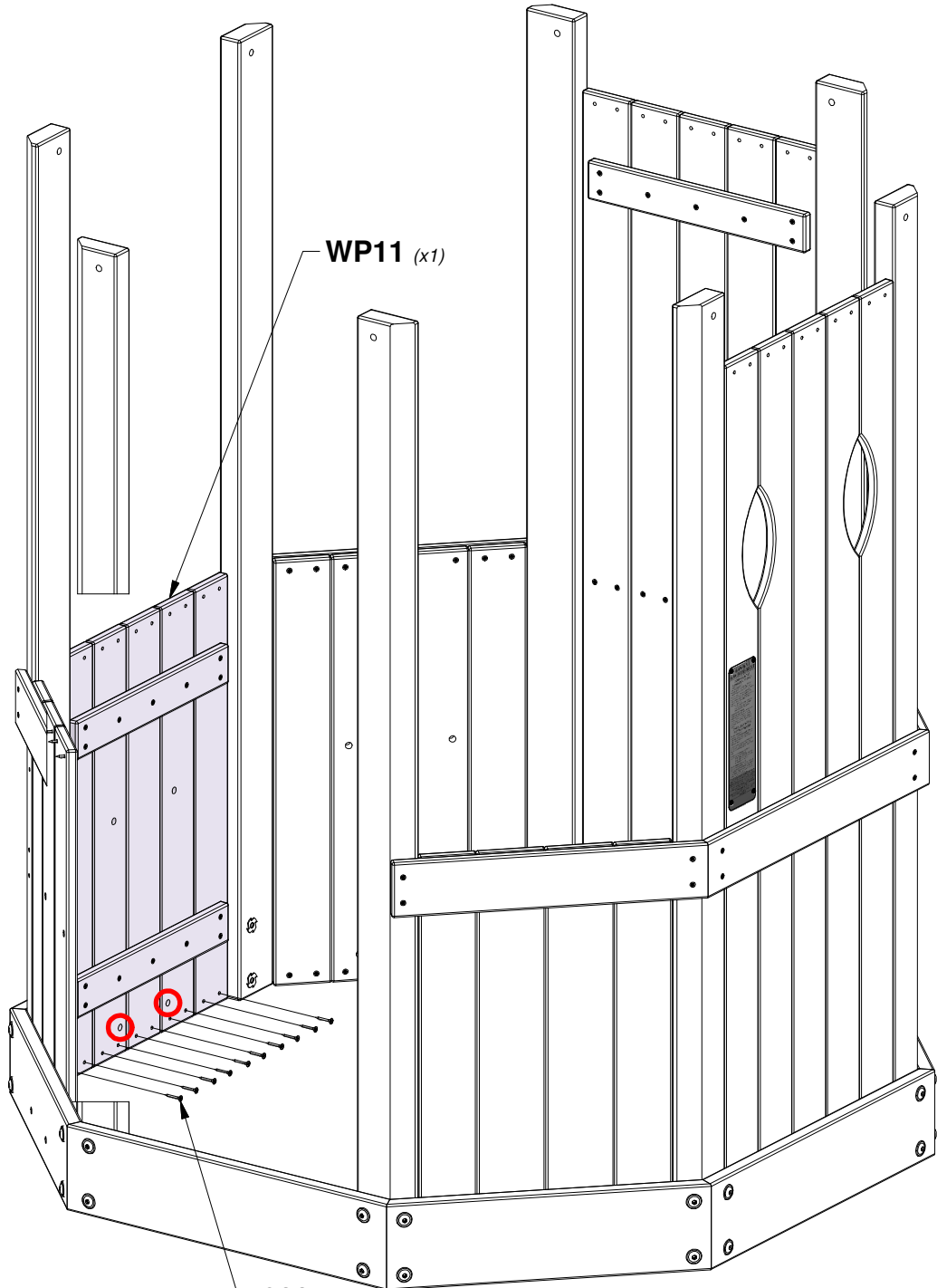


STEP 12 - FORT ASSEMBLY

QTY	PART NUMBER	DESCRIPTION
10	H100088	SCREW PFH 8x1-1/8"



WP11 | WALL PANEL - W2A01471
 (x1) | 1 1/4"x16 7/8"x26 1/8" (32x430x664)



NOTE HOLE LOCATIONS

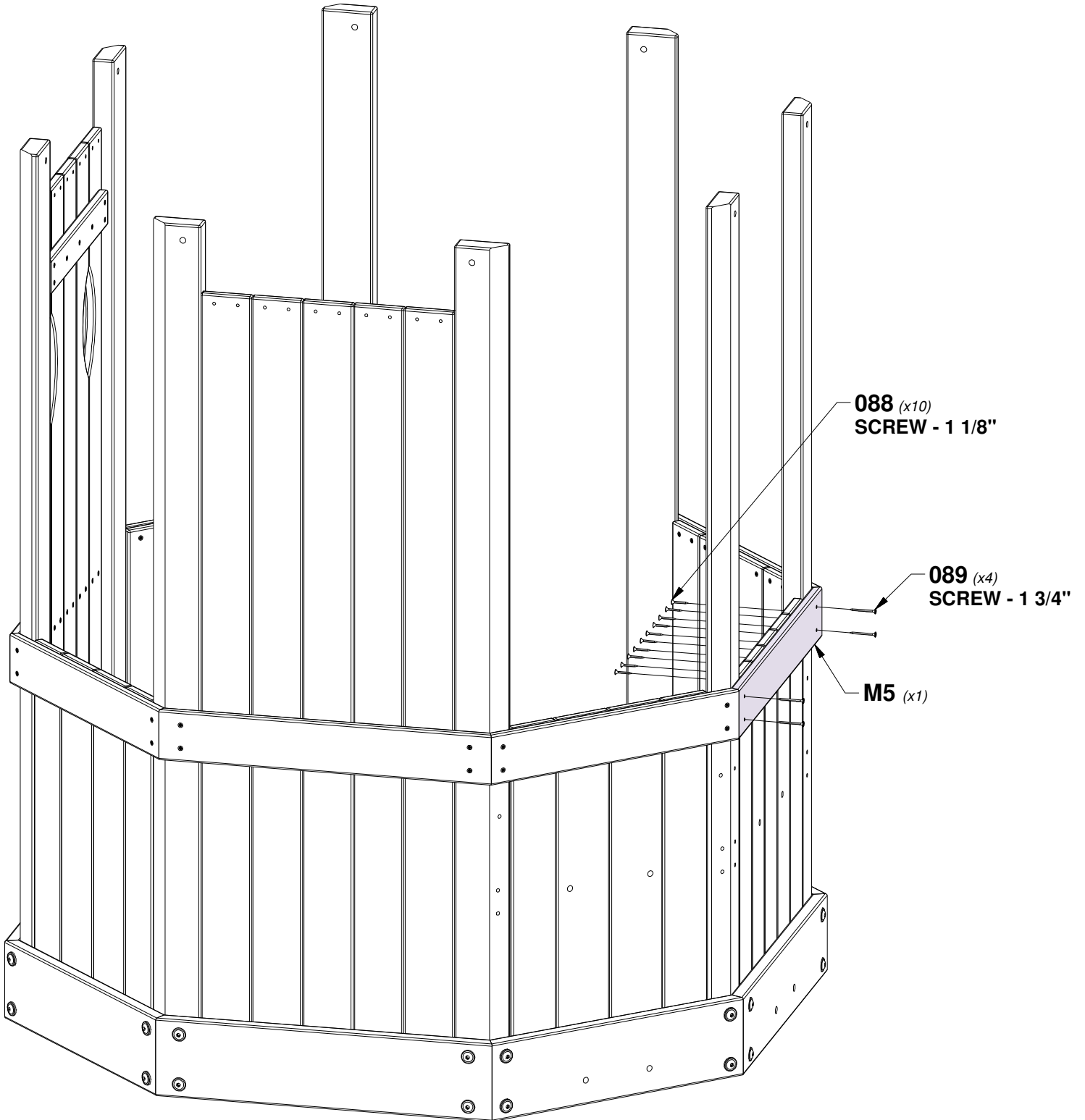
088 (x10)
SCREW - 1 1/8"

STEP 13 - FORT ASSEMBLY

QTY	PART NUMBER	DESCRIPTION
10	H100088	SCREW PFH 8x1-1/8"
4	H100089	SCREW PFH 8x1-3/4"



M5 | WALL RAIL - W4L04465
(x1) | 5/8"x3 3/8"x22" (16x86x563)



STEP 14 - FORT ASSEMBLY

QTY	PART NUMBER	DESCRIPTION
4	H100013	BOLT WH 5/16x2 1/4
4	H100030	WASHER LOCK EXT 8x19
4	H100074	T-NUT 5/16

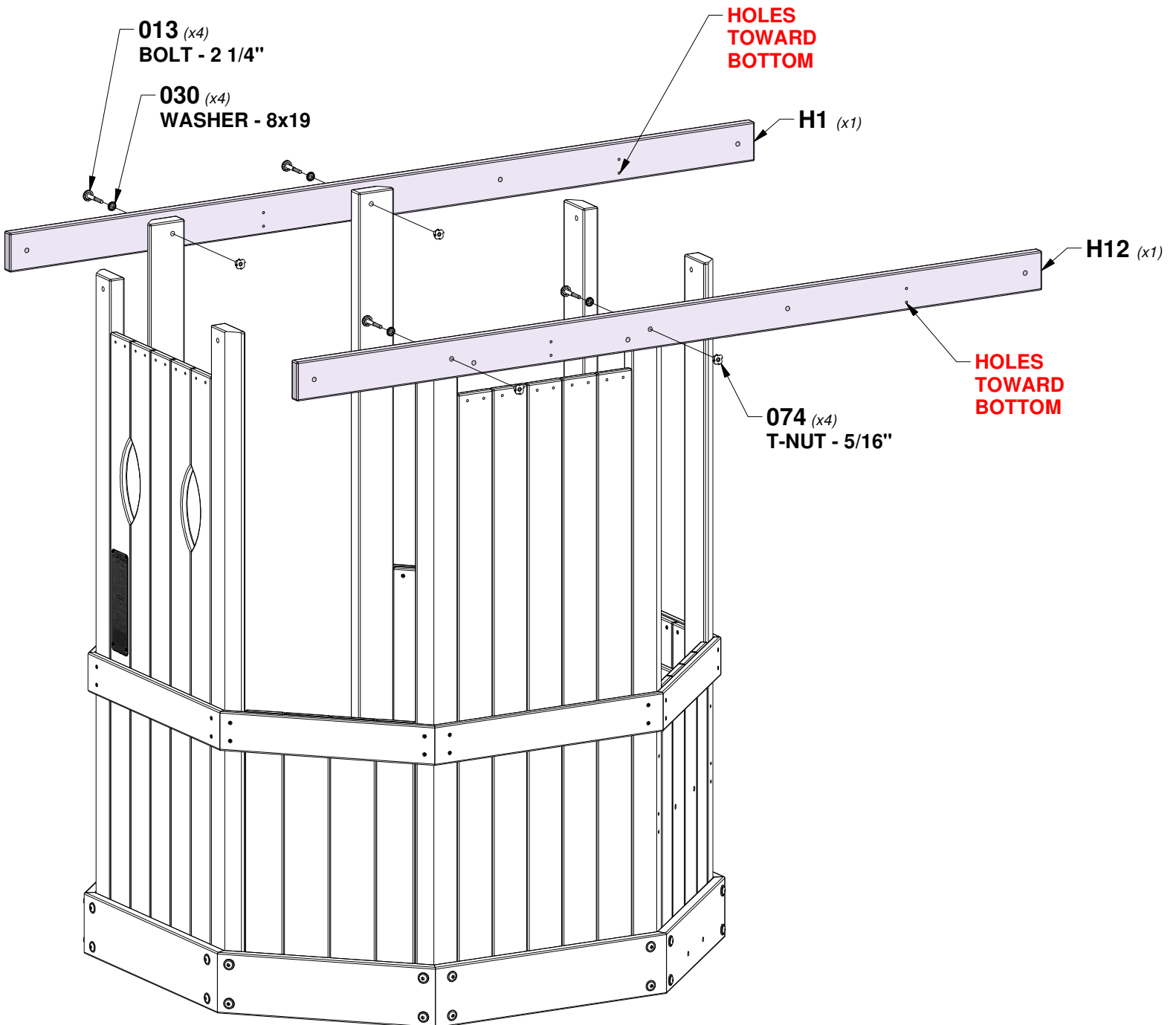


H1 | DECK RAIL - W4L04461
(x1) | 1"x3 3/8"x72 3/8" (24x86x1838)



H12 | DECK RAIL - W4L16104
(x1) | 1"x3 3/8"x72 3/8" (24x86x1838)

TIP:
INSTALL T-NUTS IN WOOD FIRST



STEP 15 - FORT ASSEMBLY

QTY	PART NUMBER	DESCRIPTION
4	H100013	BOLT WH 5/16x2 1/4
4	H100030	WASHER LOCK EXT 8x19
4	H100074	T-NUT 5/16

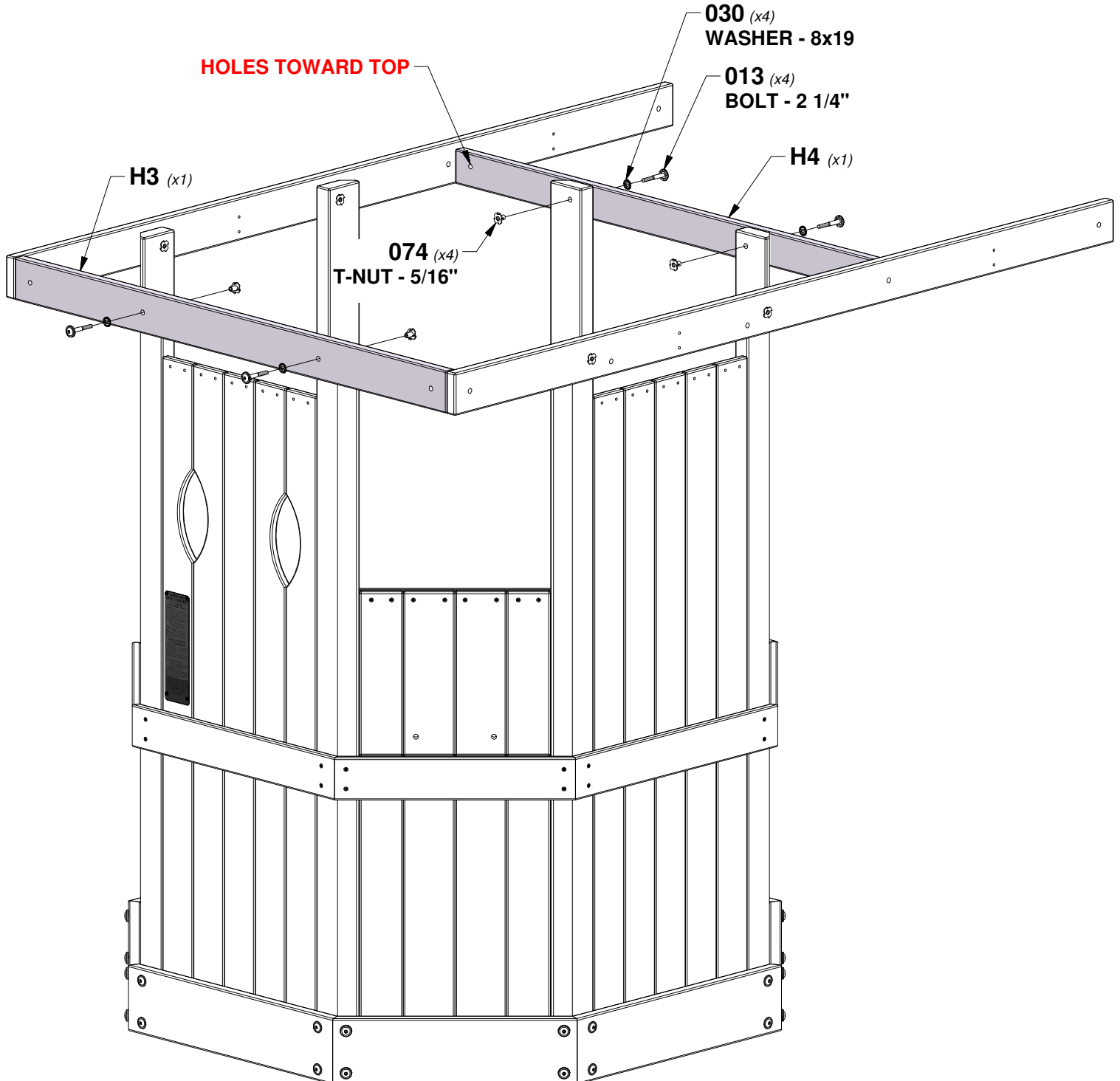


H3 | DECK RAIL - W4L04462
(x1) | 1"x3 3/8"x47 3/8" (24x86x1204)



H4 | FLOOR SUPPORT - W4L04470
(x1) | 1"x2 3/4"x47 3/8" (24x70x1204)

TIP:
INSTALL T-NUTS IN WOOD FIRST

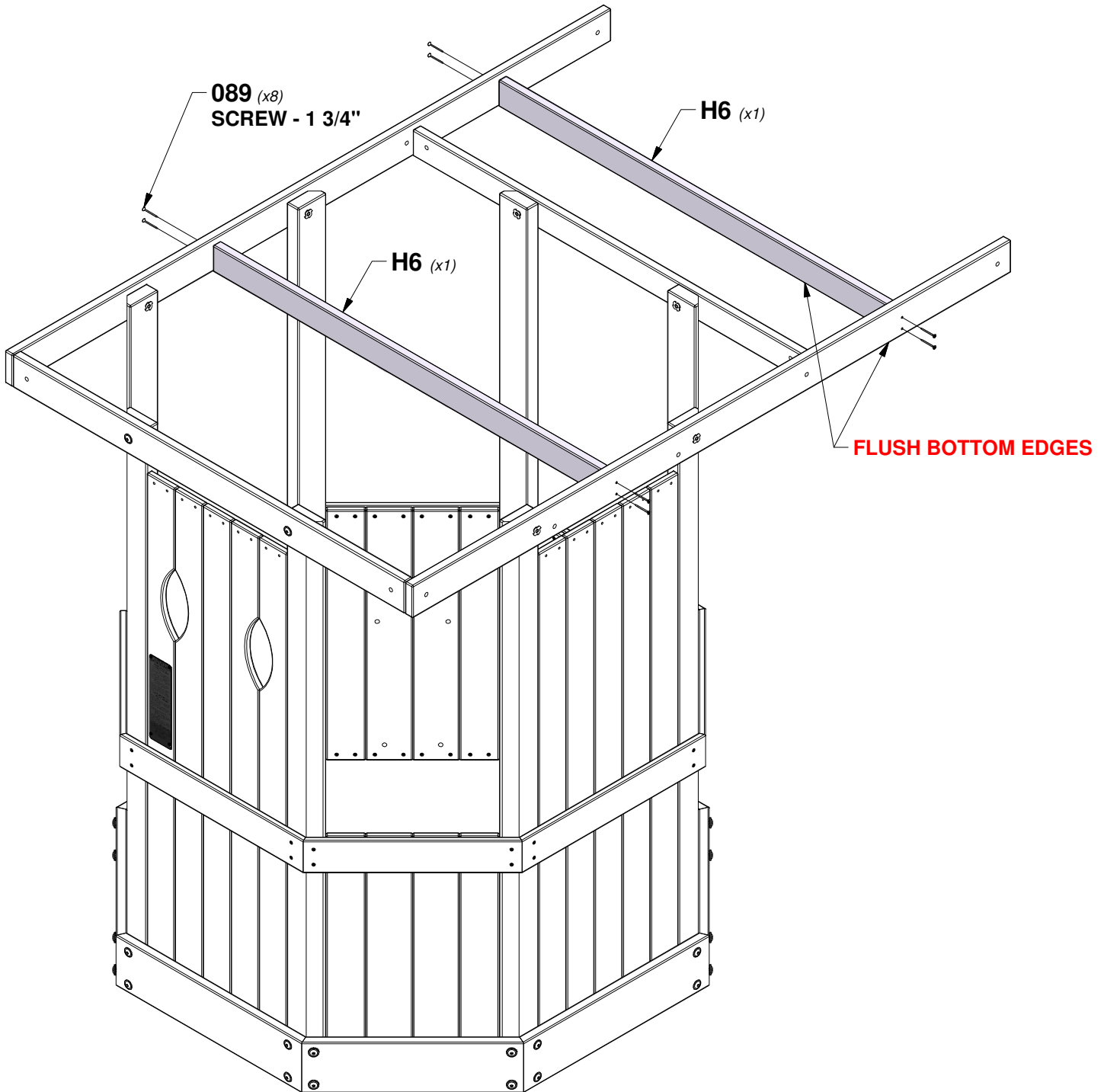


STEP 16 - FORT ASSEMBLY

QTY	PART NUMBER	DESCRIPTION
8	H100089	SCREW PFH 8x1-3/4"

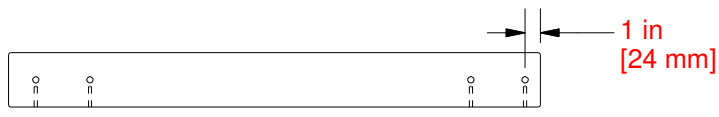


H6 | FLOOR JOIST - W4L04478
(x2) | 1"x2 3/4"x47 3/8" (24x70x1204)



STEP 17 - FORT ASSEMBLY

QTY	PART NUMBER	DESCRIPTION
2	H100017	BOLT WH 5/16x3 1/4
2	H100027	LAG SCREW WH 5/16x2
4	H100030	WASHER LOCK EXT 8x19
2	H100074	T-NUT 5/16



E3 | UPPER UPRIGHT - W4L04473
(x2) | 1 3/8"x3 3/8"x33 1/4" (36x86x844)

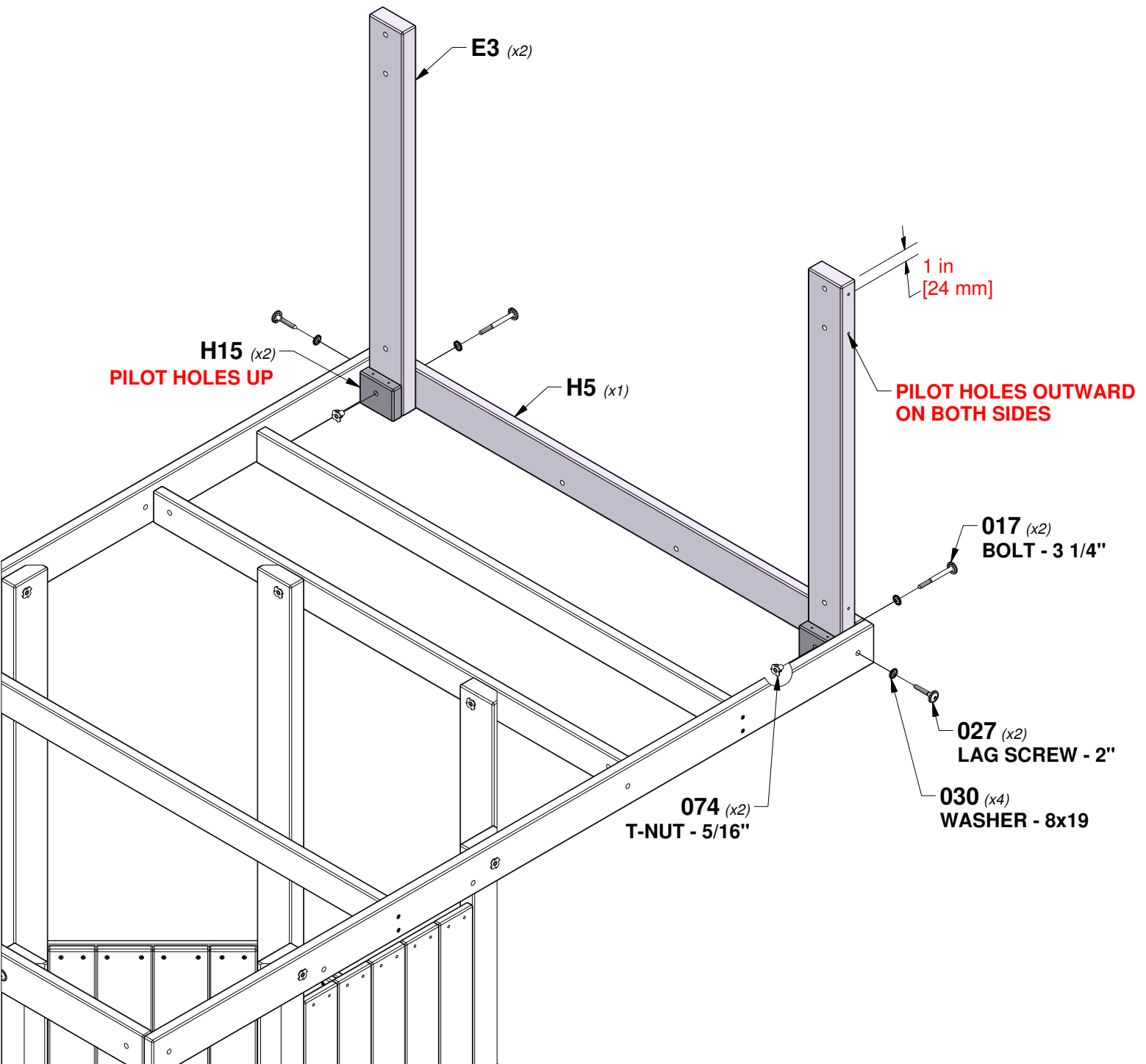


H5 | DECK RAIL - W4L16094
(x1) | 1"x3 3/8"x47 3/8" (24x86x1204)



H15 | FLOOR SUPPORT - W4L16108
(x2) | 1"x2 3/4"x3 3/8" (24x70x86)

TIP:
INSTALL T-NUTS IN WOOD FIRST



STEP 18 - FORT ASSEMBLY

QTY	PART NUMBER	DESCRIPTION
4	H100017	BOLT WH 5/16x3 1/4
4	H100027	LAG SCREW WH 5/16x2
8	H100030	WASHER LOCK EXT 8x19
4	H100074	T-NUT 5/16



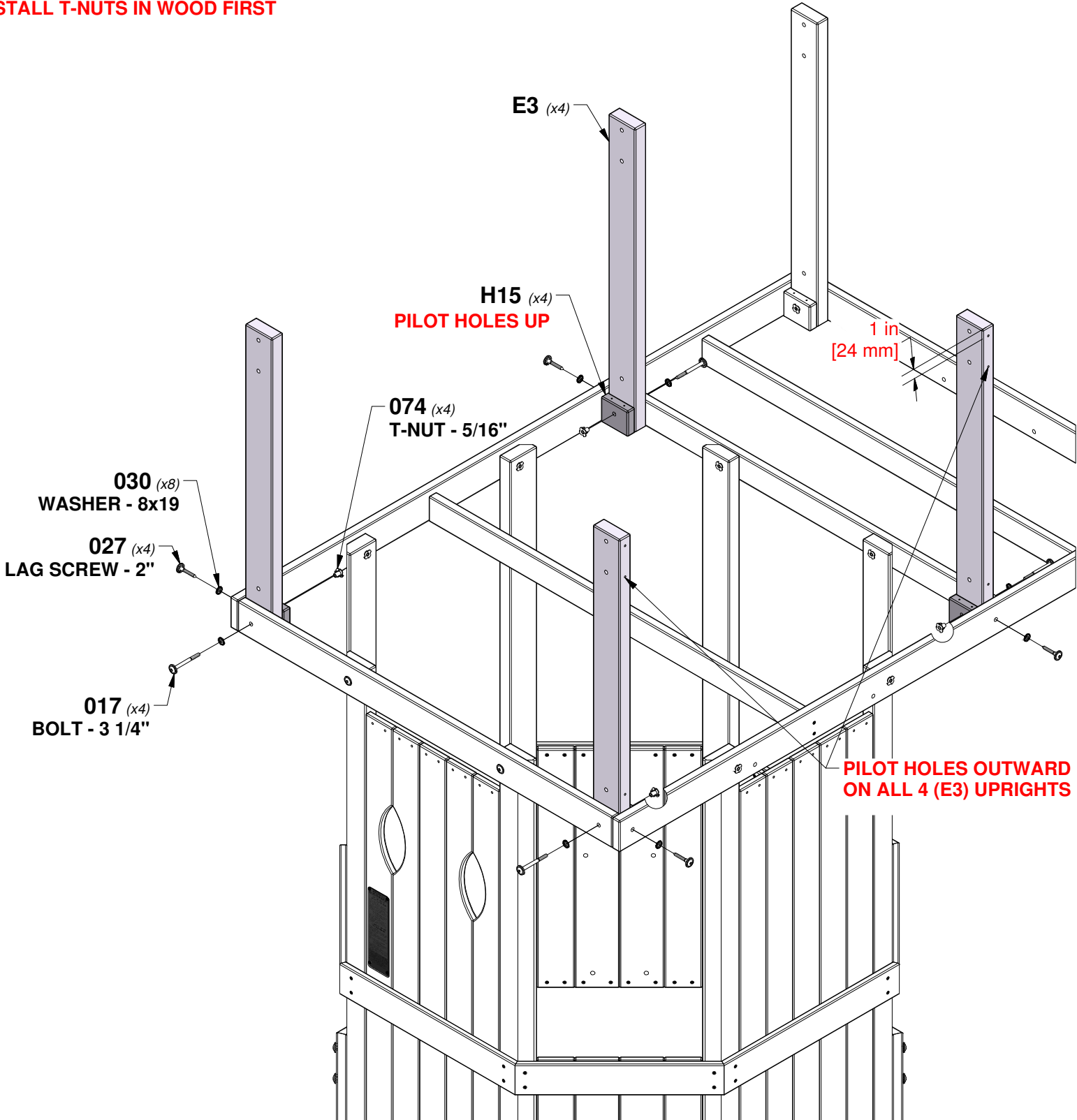
E3 | UPPER UPRIGHT - W4L04473
(x4) | 1 3/8"x3 3/8"x33 1/4" (36x86x844)

1 in
[24 mm]



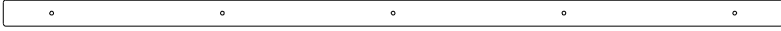
H15 | FLOOR SUPPORT - W4L16108
(x4) | 1"x2 3/4"x3 3/8" (24x70x86)

TIP:
INSTALL T-NUTS IN WOOD FIRST



STEP 19 - FORT ASSEMBLY

QTY	PART NUMBER	DESCRIPTION
12	H100089	SCREW PFH 8x1-3/4"



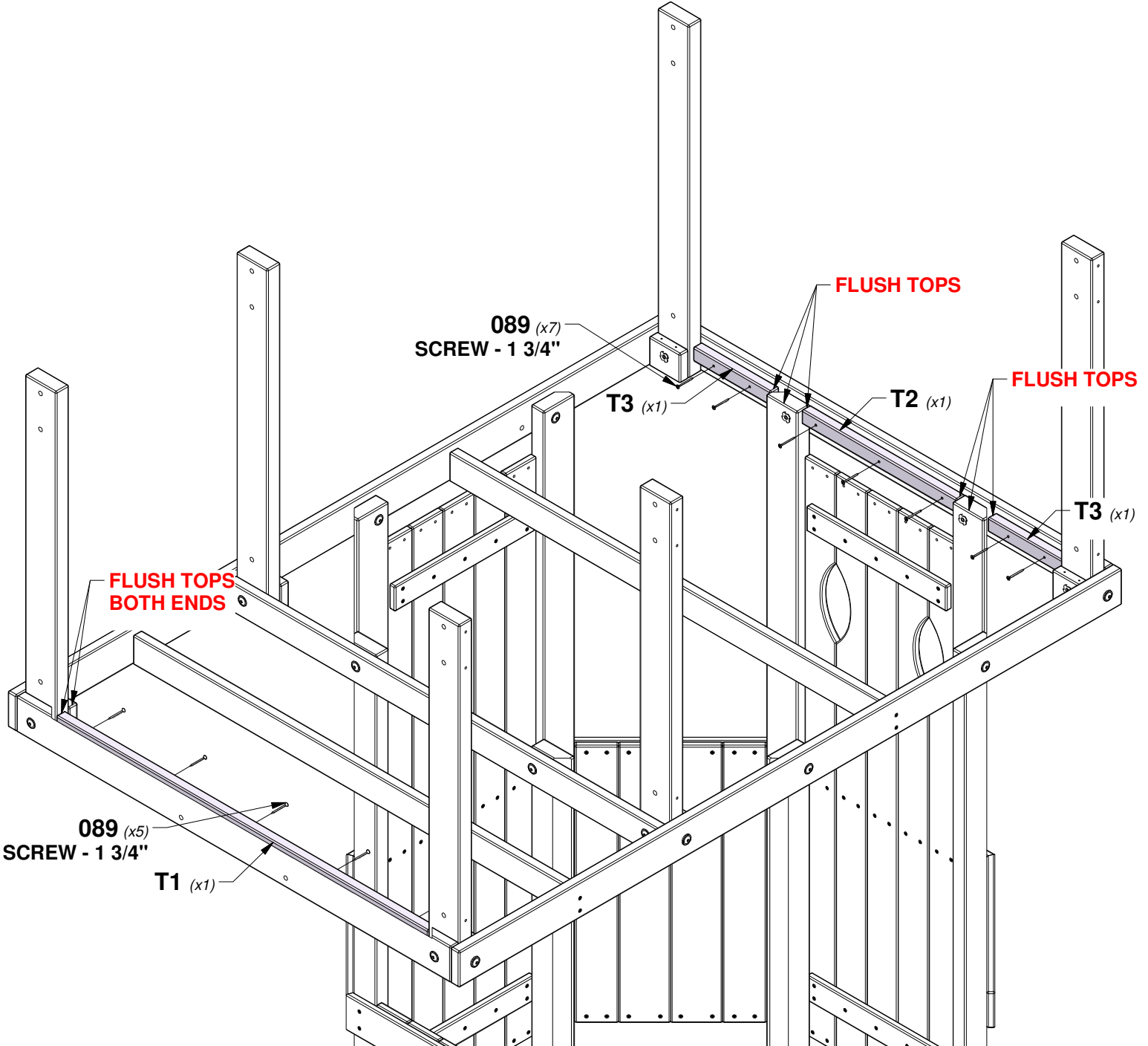
T1 | FLOOR SUPPORT RAIL - W4L04474
 (x1) | 1"x1 3/8"x40 5/8" (24x34x1032)



T2 | FLOOR SUPPORT RAIL - W4L04476
 (x1) | 1"x1 3/8"x16 7/8" (24x34x430)

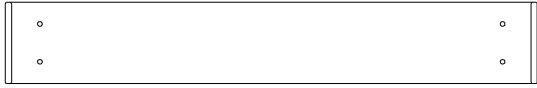


T3 | FLOOR SUPPORT RAIL - W4L04477
 (x2) | 1"x1 3/8"x8 1/2" (24x34x215)

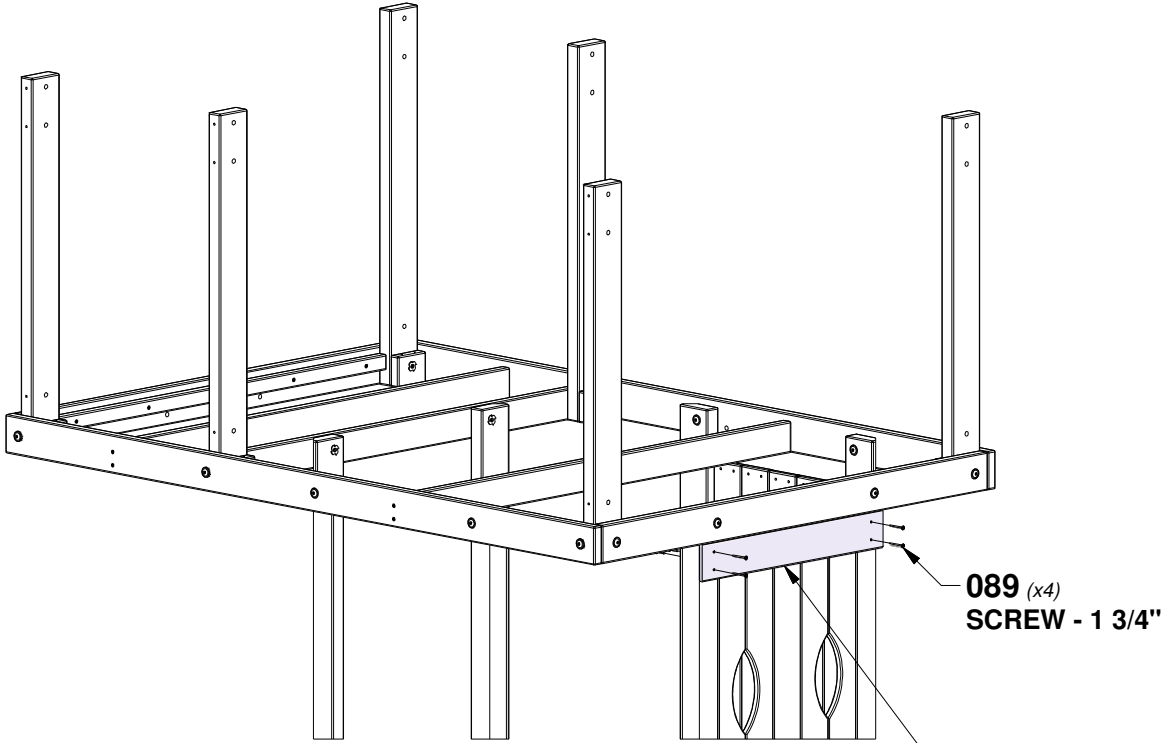


STEP 20 - FORT ASSEMBLY

QTY	PART NUMBER	DESCRIPTION
10	H100088	SCREW PFH 8x1-1/8"
4	H100089	SCREW PFH 8x1-3/4"

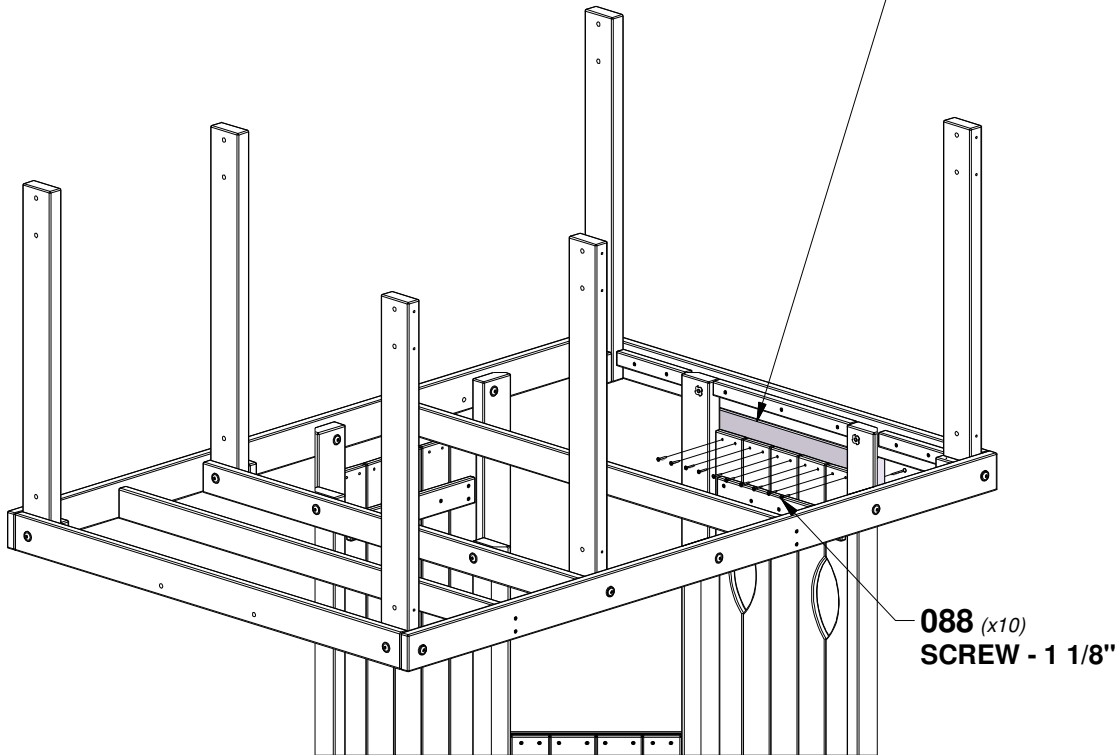


M5 | WALL RAIL - W4L04465
(x1) | 5/8"x3 3/8"x22" (16x86x563)



089 (x4)
SCREW - 1 3/4"

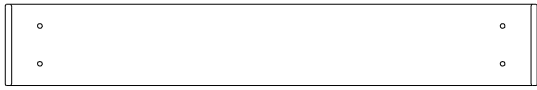
M5 (x1)



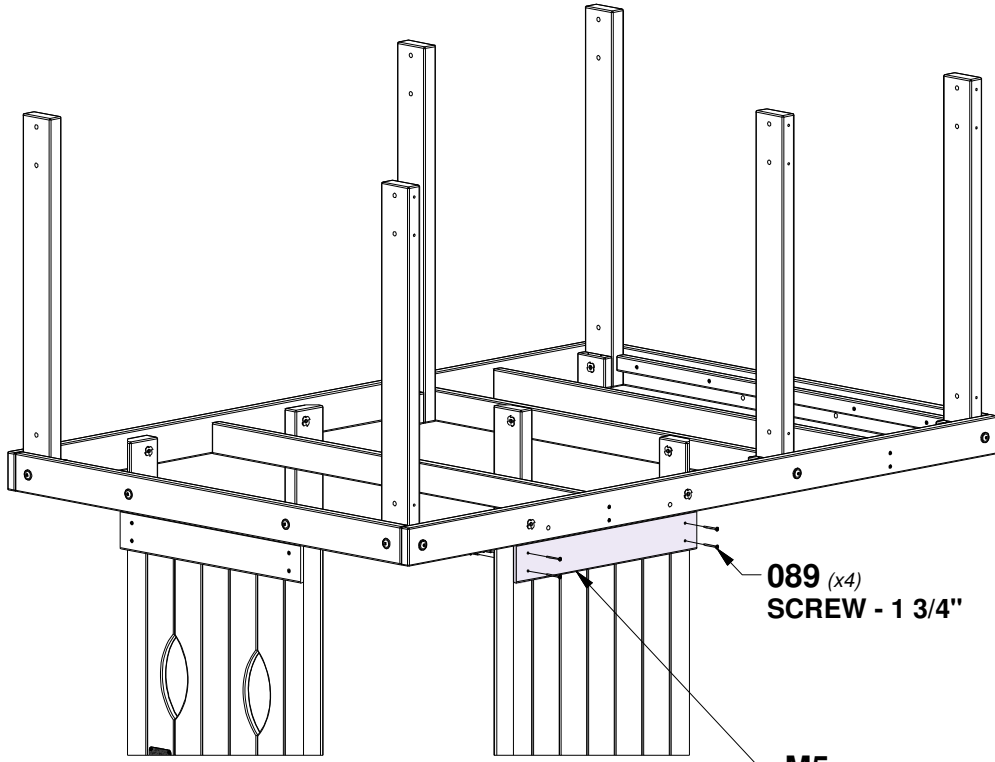
088 (x10)
SCREW - 1 1/8"

STEP 21 - FORT ASSEMBLY

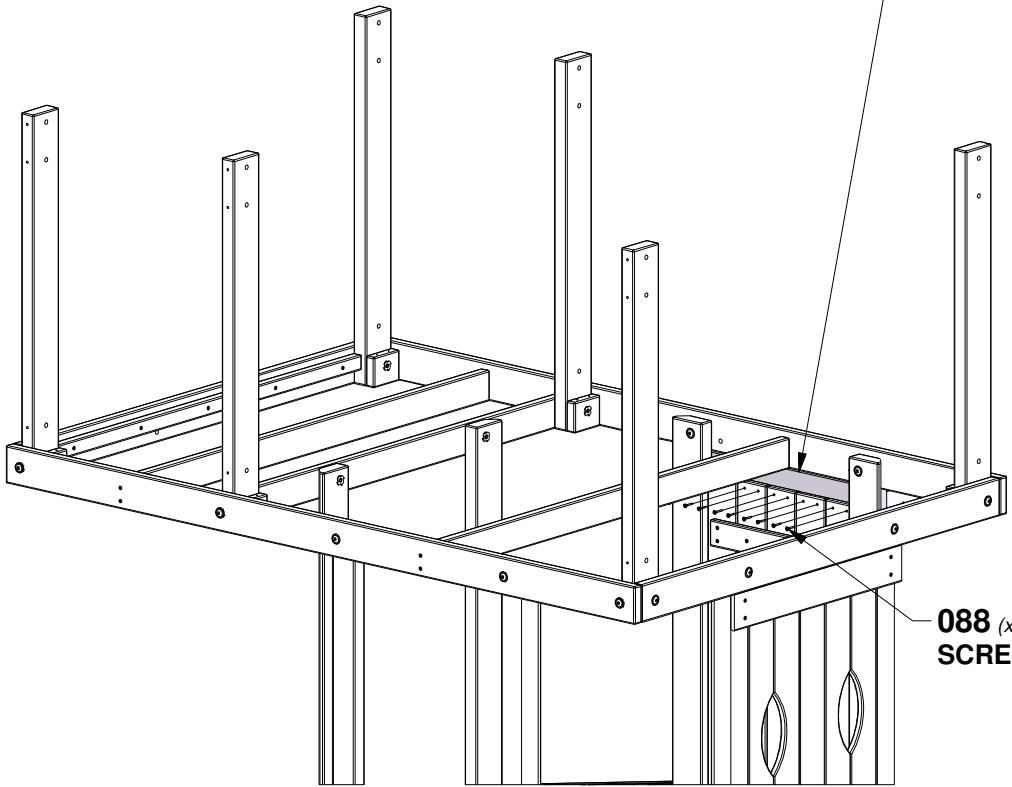
QTY	PART NUMBER	DESCRIPTION
10	H100088	SCREW PFH 8x1-1/8"
4	H100089	SCREW PFH 8x1-3/4"



M5 | WALL RAIL - W4L04465
(x1) | 5/8"x3 3/8"x22" (16x86x563)



089 (x4)
SCREW - 1 3/4"



M5 (x1)

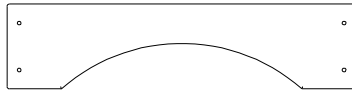
088 (x10)
SCREW - 1 1/8"

STEP 22 - FORT ASSEMBLY

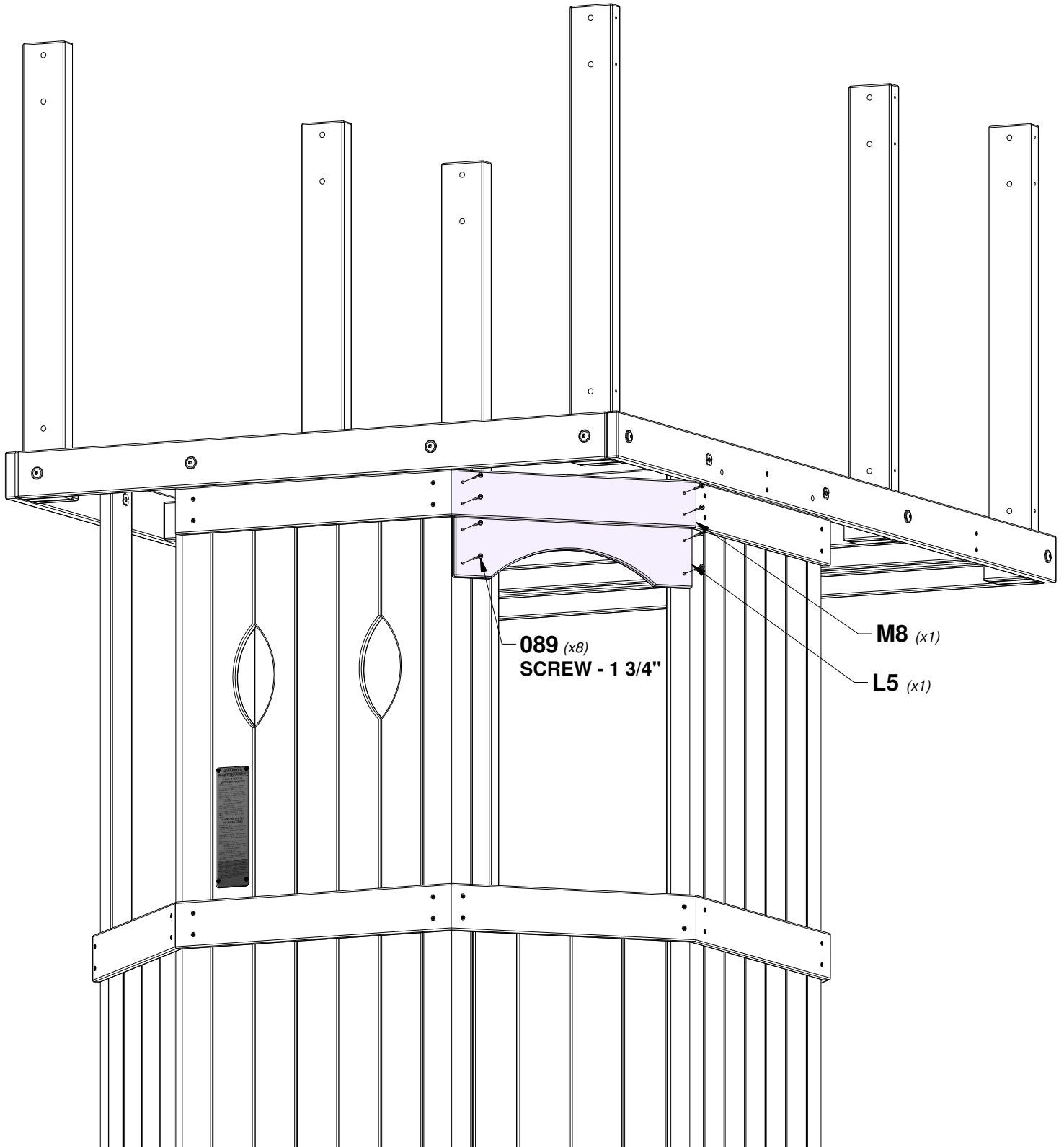
QTY	PART NUMBER	DESCRIPTION
8	H100089	SCREW PFH 8x1-3/4"



M8 WALL RAIL - W4L04466
(x1) | 5/8"x3 3/8"x18 3/4" (16x86x475)



L5 ARCHED WALL RAIL - W4L04467
(x1) | 5/8"x4 3/8"x18 1/4" (16x112x462)



STEP 23 - FORT ASSEMBLY

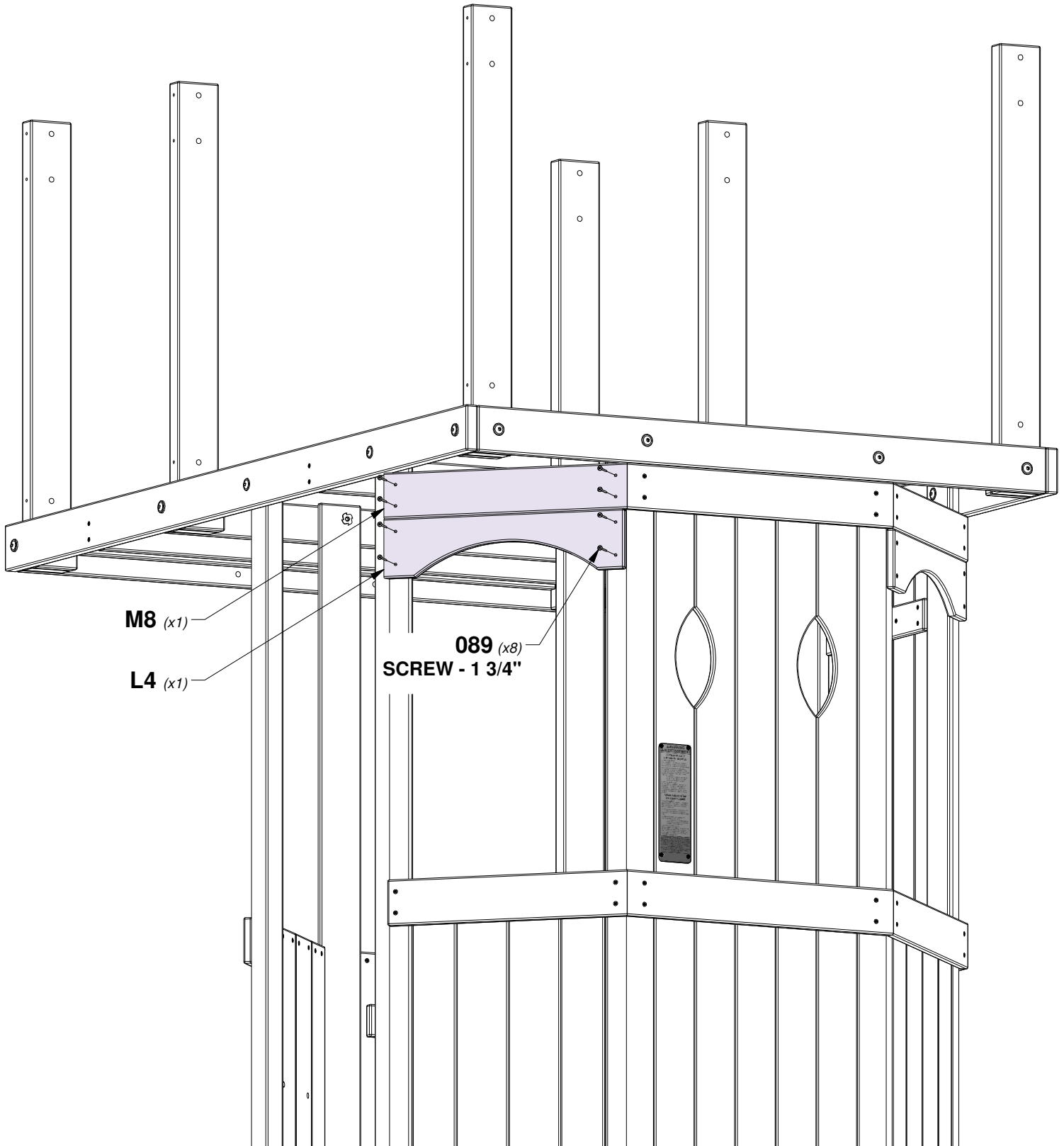
QTY	PART NUMBER	DESCRIPTION
8	H100089	SCREW PFH 8x1-3/4"



M8 | WALL RAIL - W4L04466
(x1) | 5/8"x3 3/8"x18 3/4" (16x86x475)

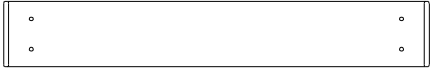


L4 | LEFT ARCHED WALL RAIL - W4L04468
(x1) | 5/8"x4 3/8"x18 1/2" (16x112x469)



STEP 24 - FORT ASSEMBLY

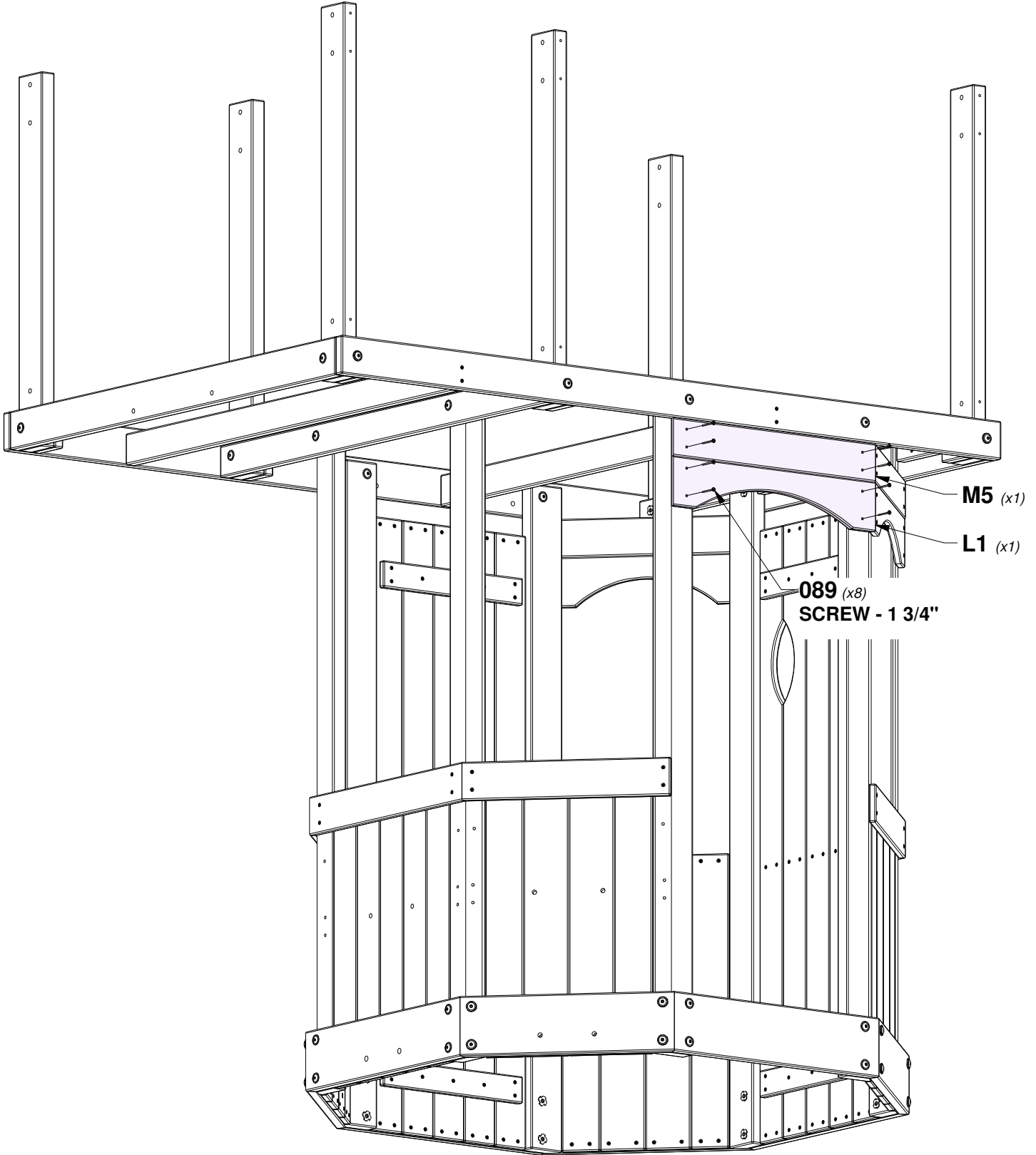
QTY	PART NUMBER	DESCRIPTION
8	H100089	SCREW PFH 8x1-3/4"



M5 | WALL RAIL - W4L04465
(x1) | 5/8"x3 3/8"x22" (16x86x563)



L1 | ARCHED WALL RAIL - W4L04469
(x1) | 5/8"x4 3/8"x22 1/8" (16x112x563)

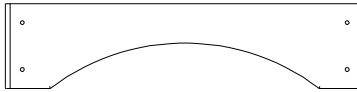


STEP 25 - FORT ASSEMBLY

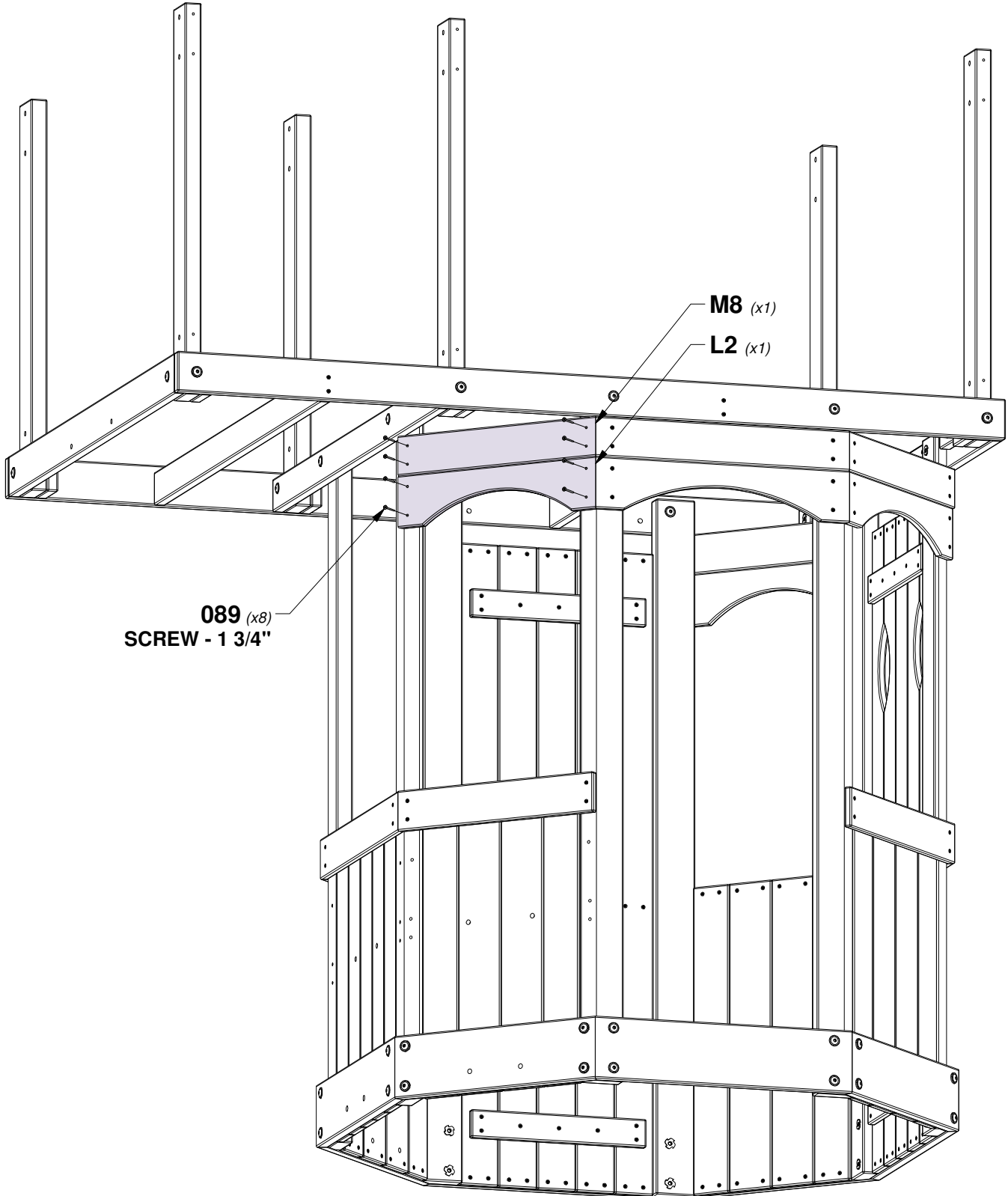
QTY	PART NUMBER	DESCRIPTION
8	H100089	SCREW PFH 8x1-3/4"



M8 | WALL RAIL - W4L04466
(x1) | 5/8"x3 3/8"x18 3/4" (16x86x475)



L2 | ARCHED WALL RAIL - W4L04472
(x1) | 5/8"x4 3/8"x18 3/4" (16x112x475)



STEP 26 - FORT ASSEMBLY

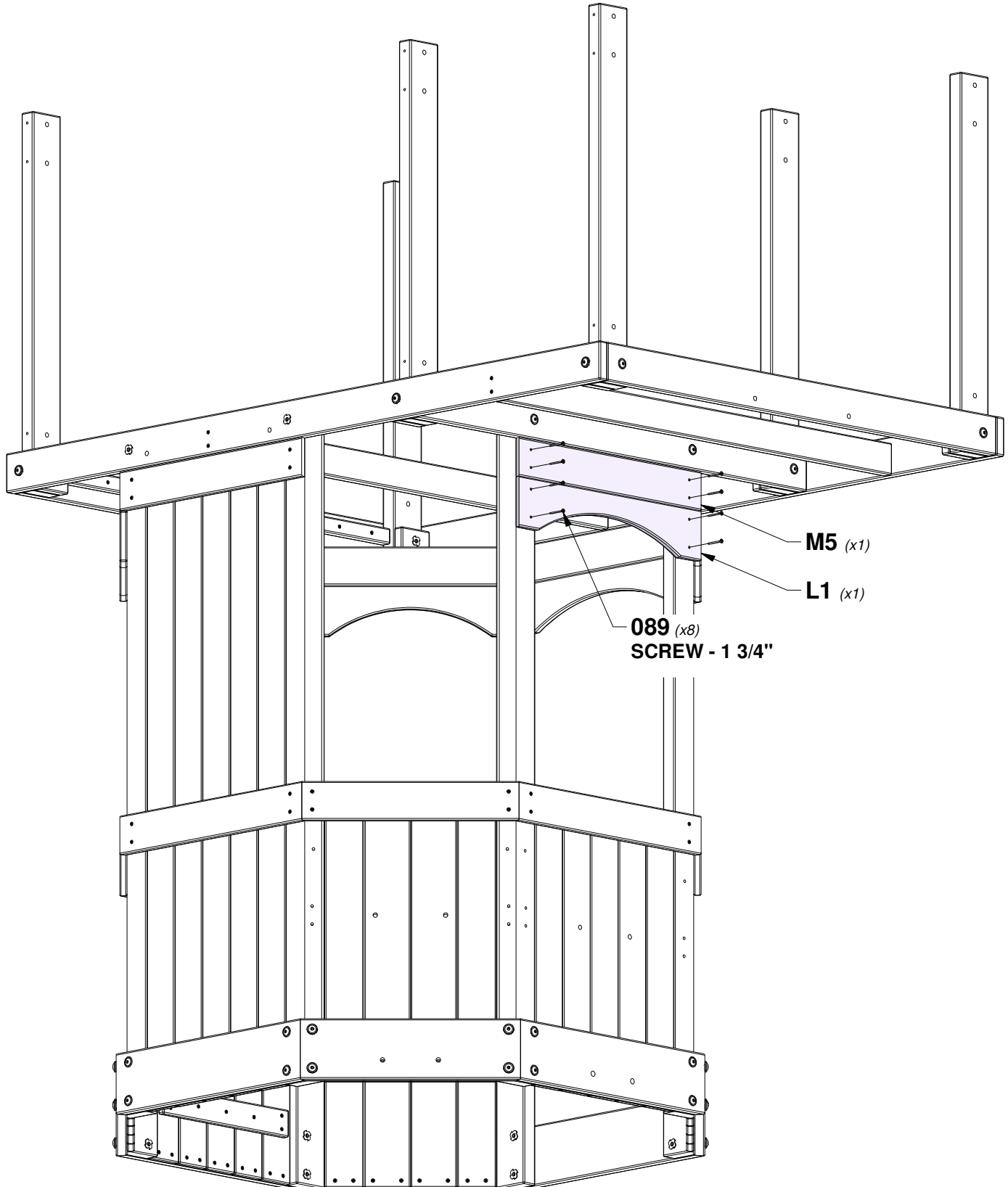
QTY	PART NUMBER	DESCRIPTION
8	H100089	SCREW PFH 8x1-3/4"



M5 | WALL RAIL - W4L04465
(x1) | 5/8"x3 3/8"x22" (16x86x563)



L1 | ARCHED WALL RAIL - W4L04469
(x1) | 5/8"x4 3/8"x22 1/8" (16x112x563)

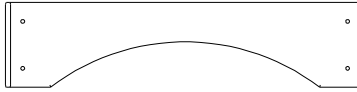


STEP 27 - FORT ASSEMBLY

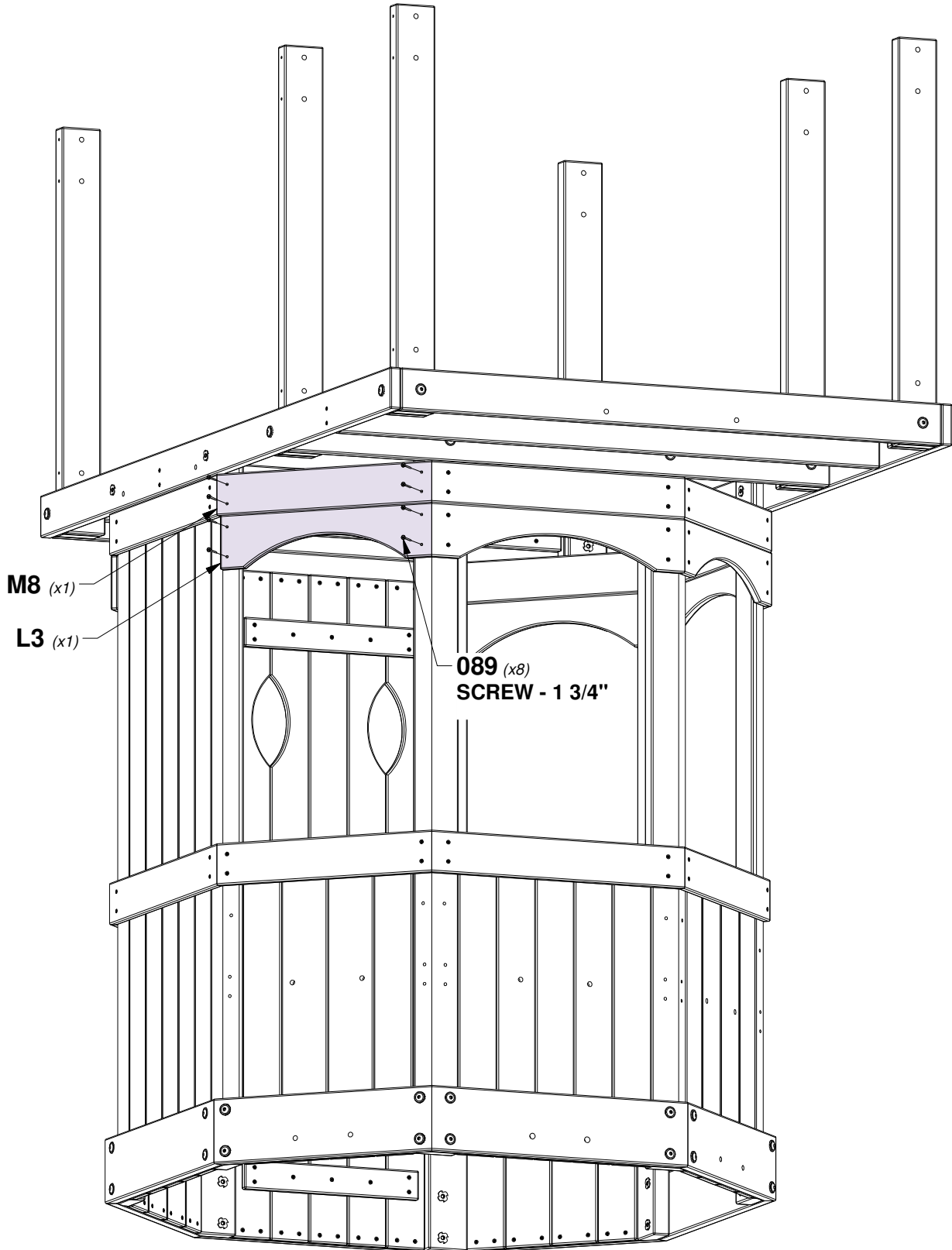
QTY	PART NUMBER	DESCRIPTION
8	H100089	SCREW PFH 8x1-3/4"



M8 | WALL RAIL - W4L04466
(x1) | 5/8"x3 3/8"x18 3/4" (16x86x475)

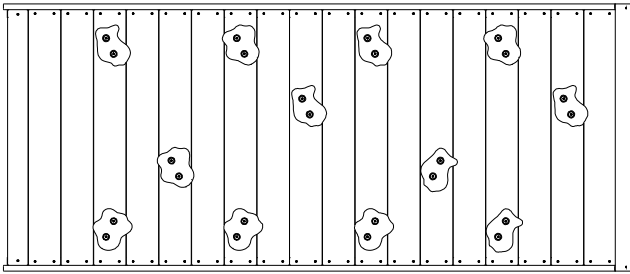


L3 | RIGHT ARCHED WALL RAIL - W4L04471
(x1) | 5/8"x4 3/8"x18 1/2" (16x112x469)

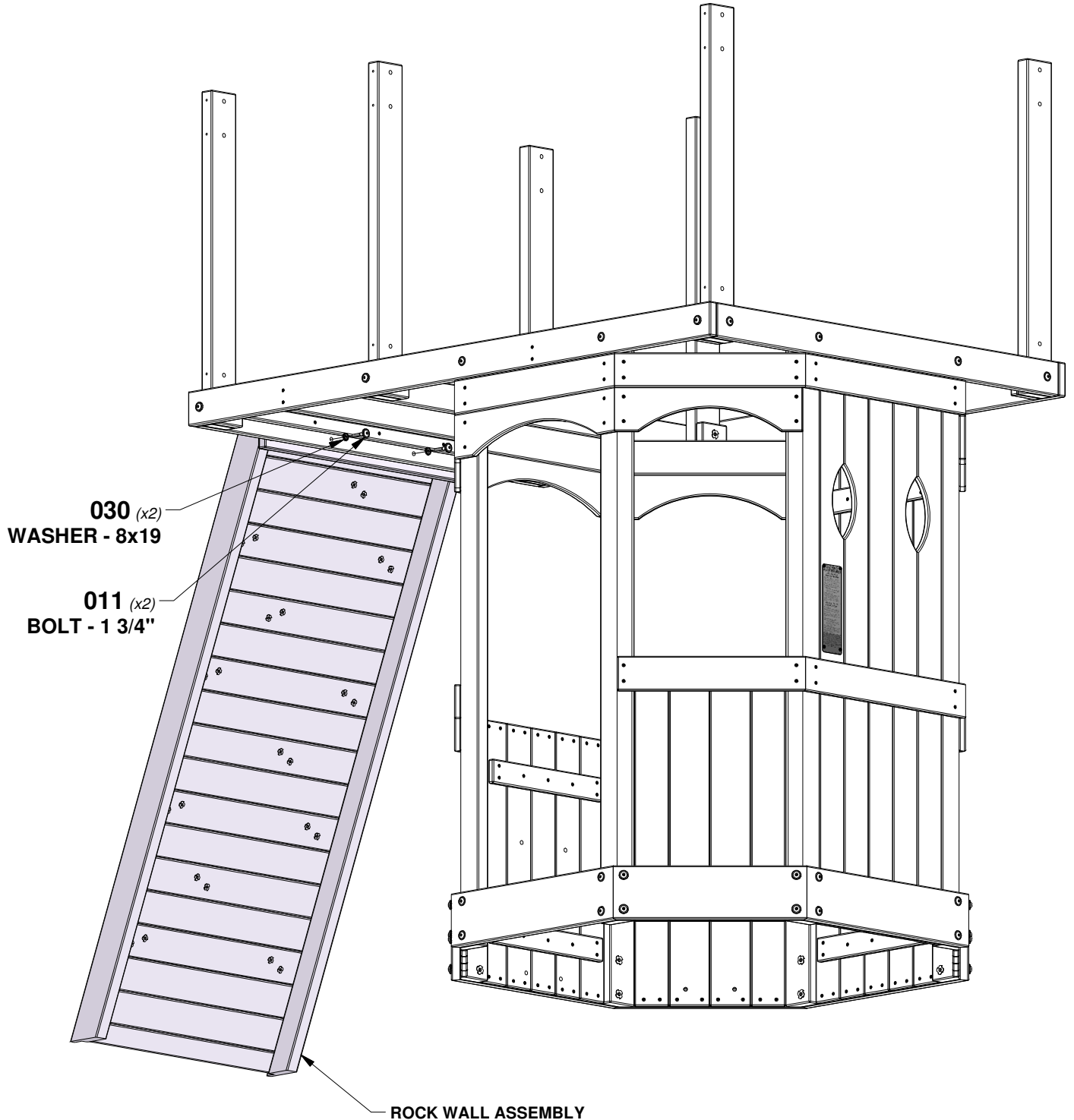


STEP 28 - FORT ASSEMBLY

QTY	PART NUMBER	DESCRIPTION
2	H100011	BOLT WH 5/16x1 3/4
2	H100030	WASHER LOCK EXT 8x19



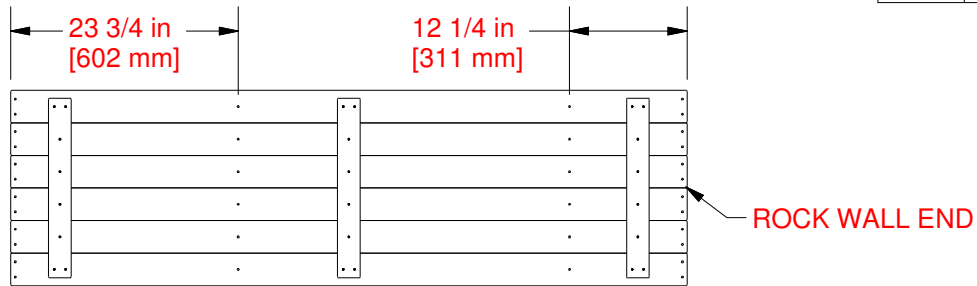
ROCK WALL ASSEMBLY



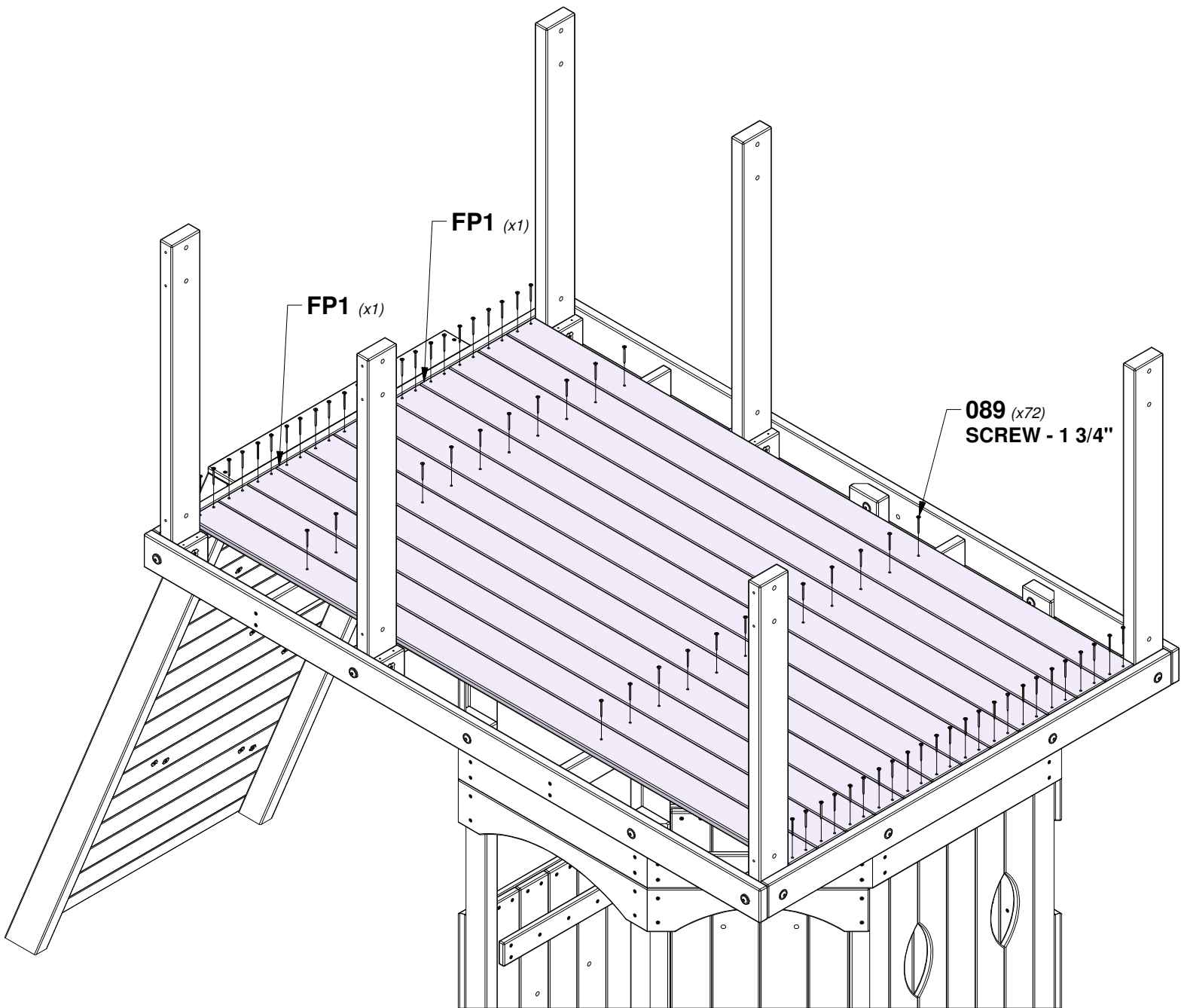
ROCK WALL ASSEMBLY

STEP 29 - FORT ASSEMBLY

QTY	PART NUMBER	DESCRIPTION
72	H100089	SCREW PFH 8x1-3/4"

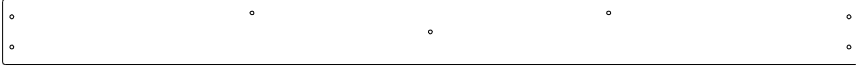


FP1 | FLOOR PANEL - W2A03288
 (x2) | $1 \frac{1}{4}$ "x $20 \frac{3}{8}$ "x $70 \frac{1}{2}$ " (32x516x1790)

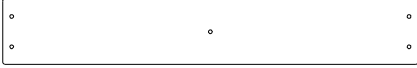


STEP 30 - FORT ASSEMBLY

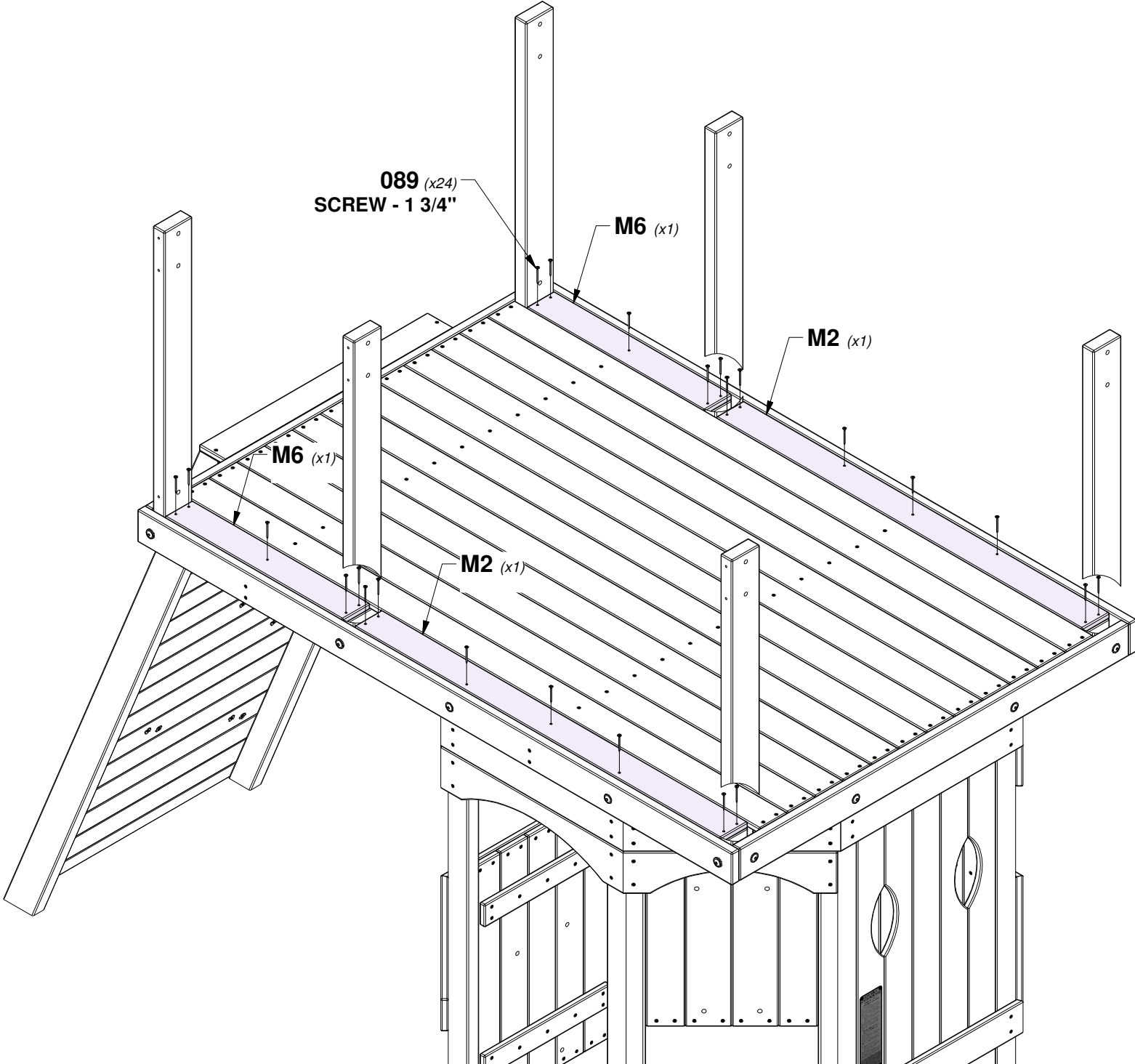
QTY	PART NUMBER	DESCRIPTION
24	H100089	SCREW PFH 8x1-3/4"



M2 | OUTER FLOOR BOARD - W4L16092
(x2) | 5/8"x3 3/8"x44 5/8" (16x86x1132)

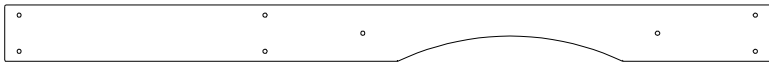


M6 | OUTER FLOOR BOARD - W4L16093
(x2) | 5/8"x3 3/8"x21 5/8" (16x86x550)

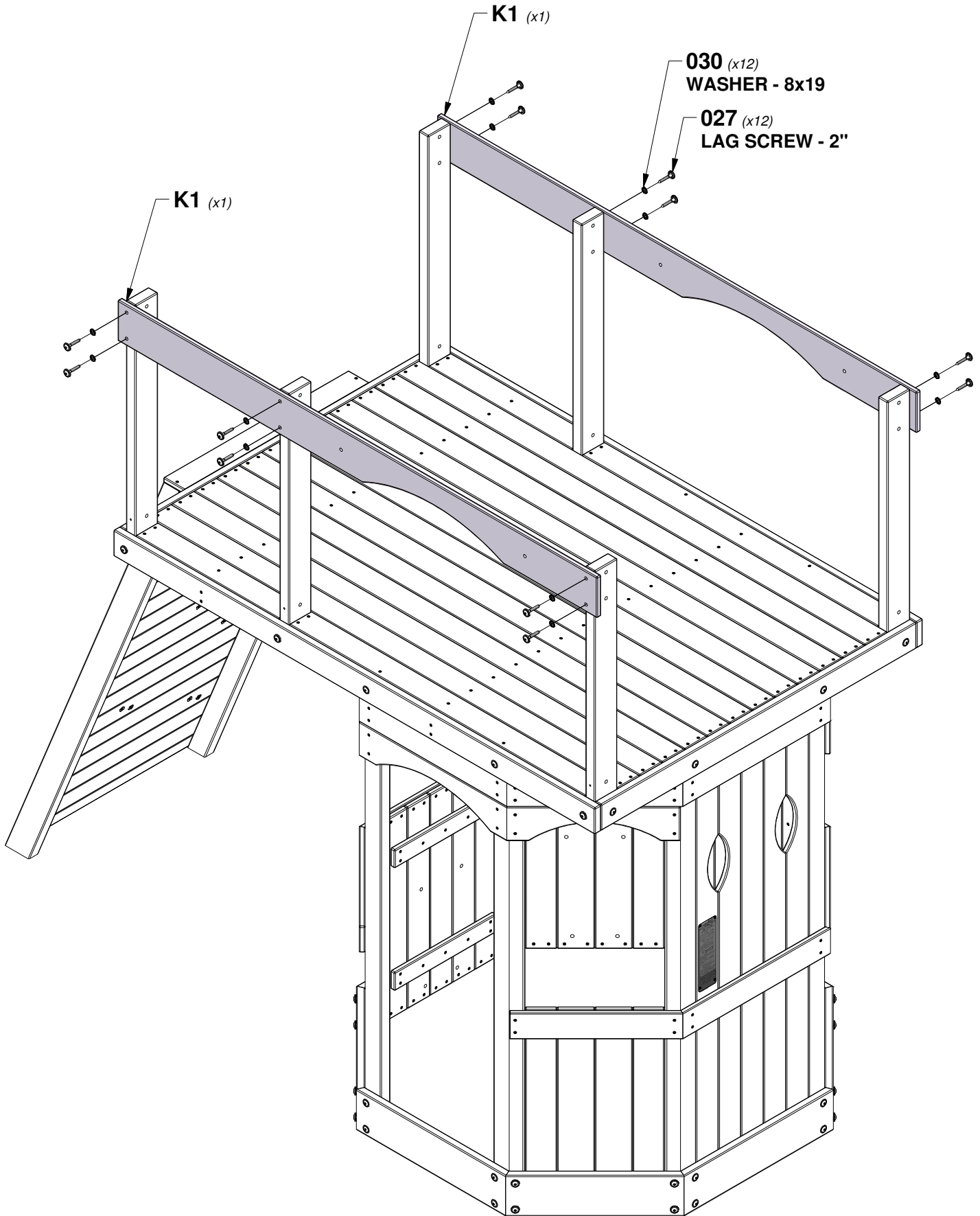


STEP 31 - FORT ASSEMBLY

QTY	PART NUMBER	DESCRIPTION
12	H100027	LAG SCREW WH 5/16x2
12	H100030	WASHER LOCK EXT 8x19



K1 | **ARCHED WALL RAIL - W4L04485**
 (x2) | 5/8"x5 1/4"x72" (16x134x1830)



STEP 32 - FORT ASSEMBLY

QTY	PART NUMBER	DESCRIPTION
4	H100012	BOLT WH 5/16x2
4	H100013	BOLT WH 5/16x2 1/4
8	H100030	WASHER LOCK EXT 8x19
12	H100074	T-NUT 5/16

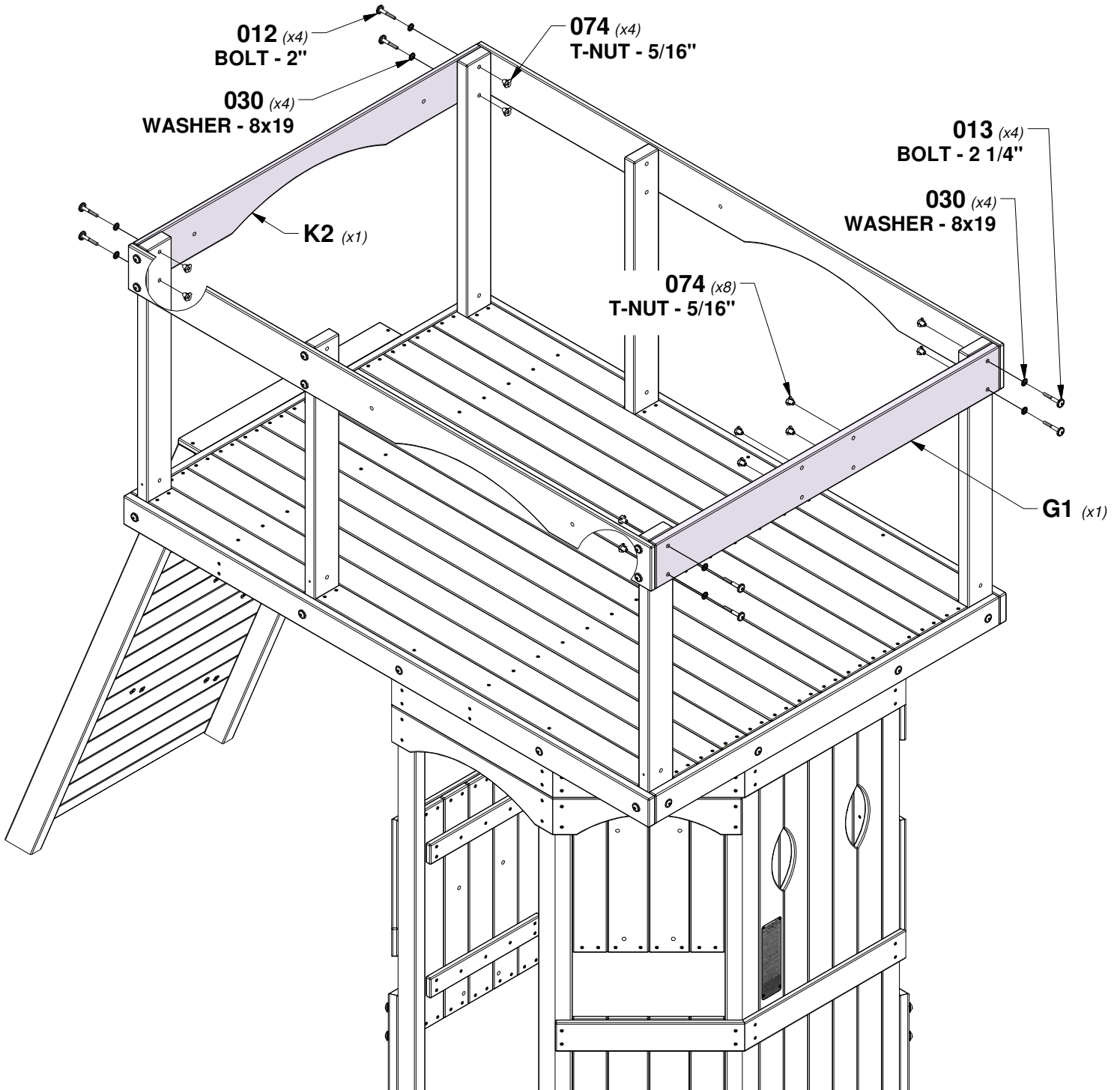


G1 | SWINGBEAM RAIL - W4L04483
(x1) | 1"x5 1/4"x47 3/8" (24x134x1204)



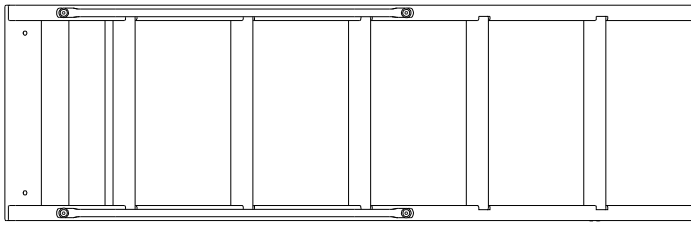
K2 | ARCHED WALL RAIL - W4L04486
(x1) | 5/8"x5 1/4"x47 3/8" (16x134x1204)

TIP:
INSTALL T-NUTS IN WOOD FIRST



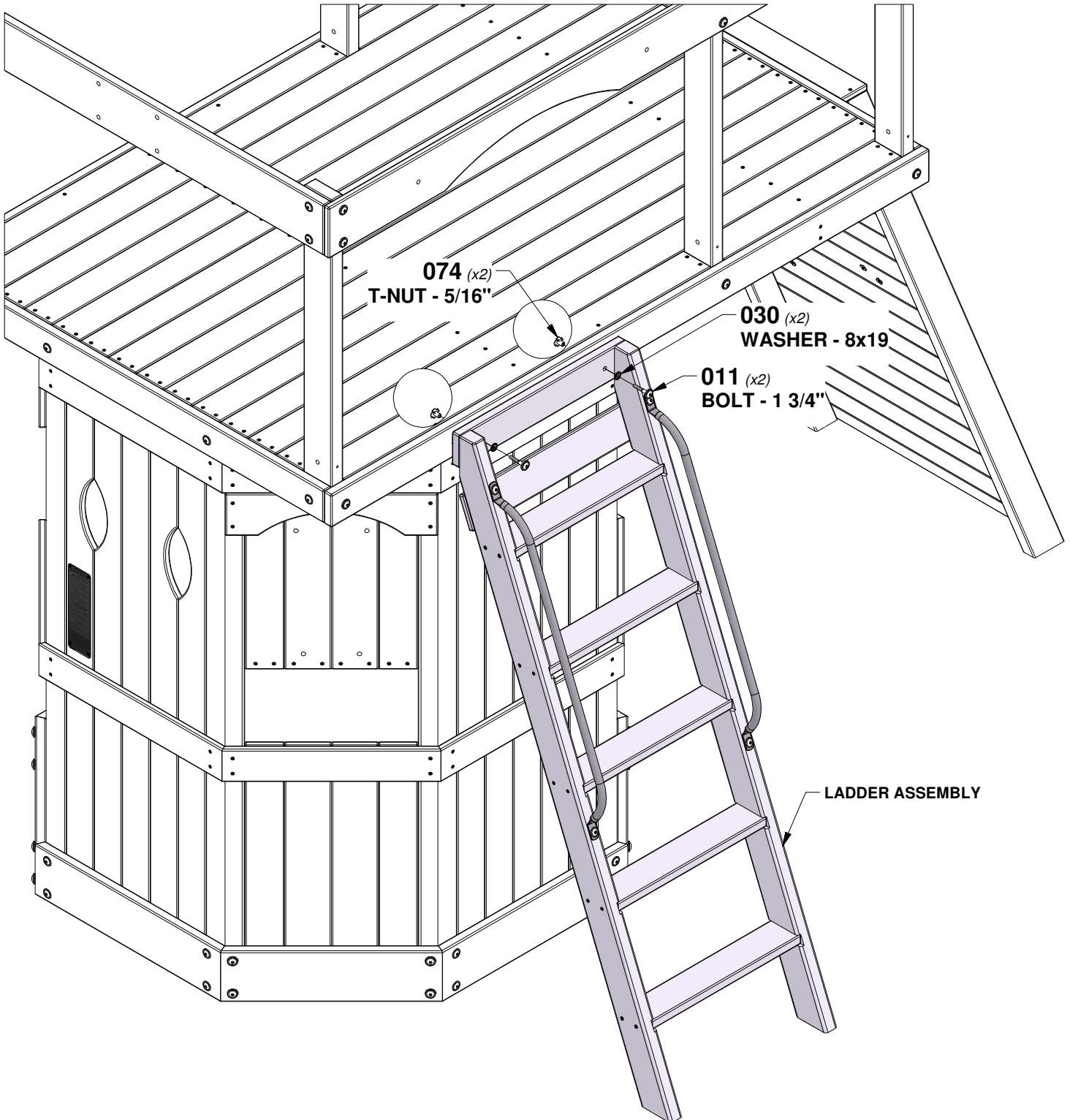
STEP 33 - FORT ASSEMBLY

QTY	PART NUMBER	DESCRIPTION
2	H100011	BOLT WH 5/16x1 3/4
2	H100030	WASHER LOCK EXT 8x19
2	H100074	T-NUT 5/16



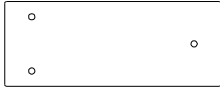
LADDER ASSEMBLY

TIP:
INSTALL T-NUTS IN WOOD FIRST



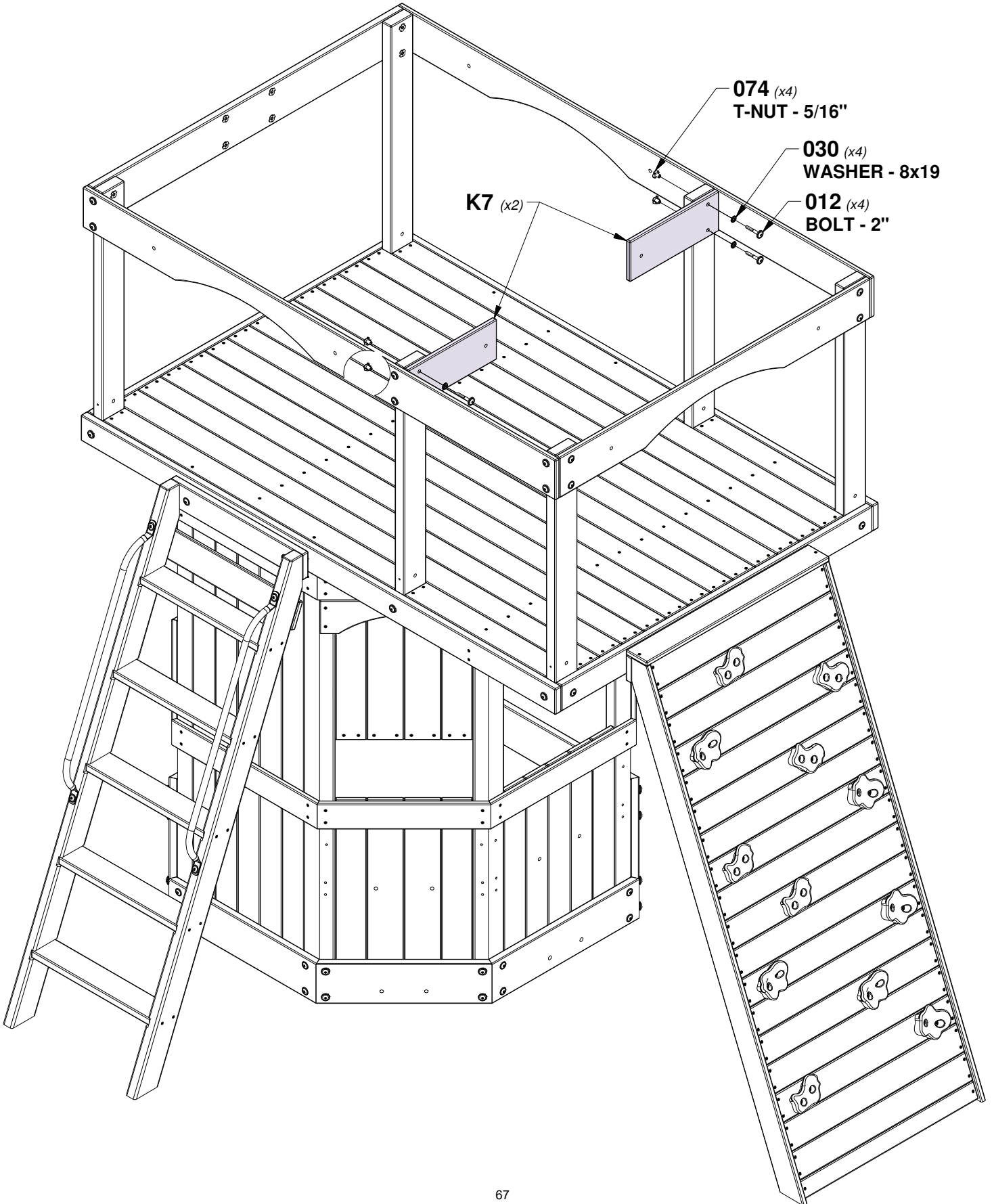
STEP 34 - FORT ASSEMBLY

QTY	PART NUMBER	DESCRIPTION
4	H100012	BOLT WH 5/16x2
4	H100030	WASHER LOCK EXT 8x19
4	H100074	T-NUT 5/16



K7 | WALL RAIL - W4L04488
 (x2) | 5/8"x5 1/4"x13 1/2" (16x134x344)

TIP:
INSTALL T-NUTS IN WOOD FIRST



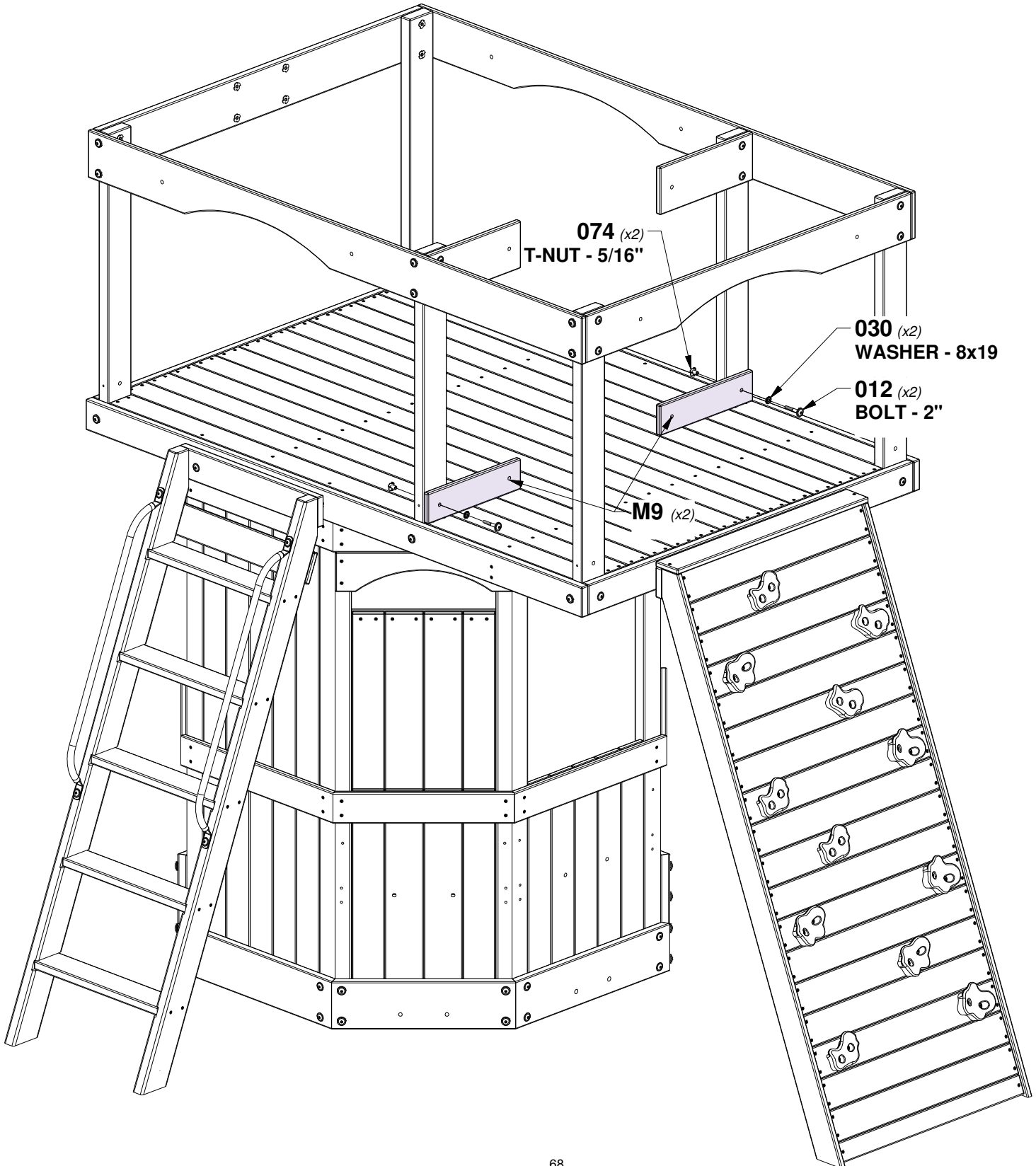
STEP 35 - FORT ASSEMBLY

QTY	PART NUMBER	DESCRIPTION
2	H100012	BOLT WH 5/16x2
2	H100030	WASHER LOCK EXT 8x19
2	H100074	T-NUT 5/16



M9 | WALL RAIL - W4L16099
(x2) | 5/8"x3 3/8"x13 1/2" (16x86x344)

TIP:
INSTALL T-NUTS IN WOOD FIRST



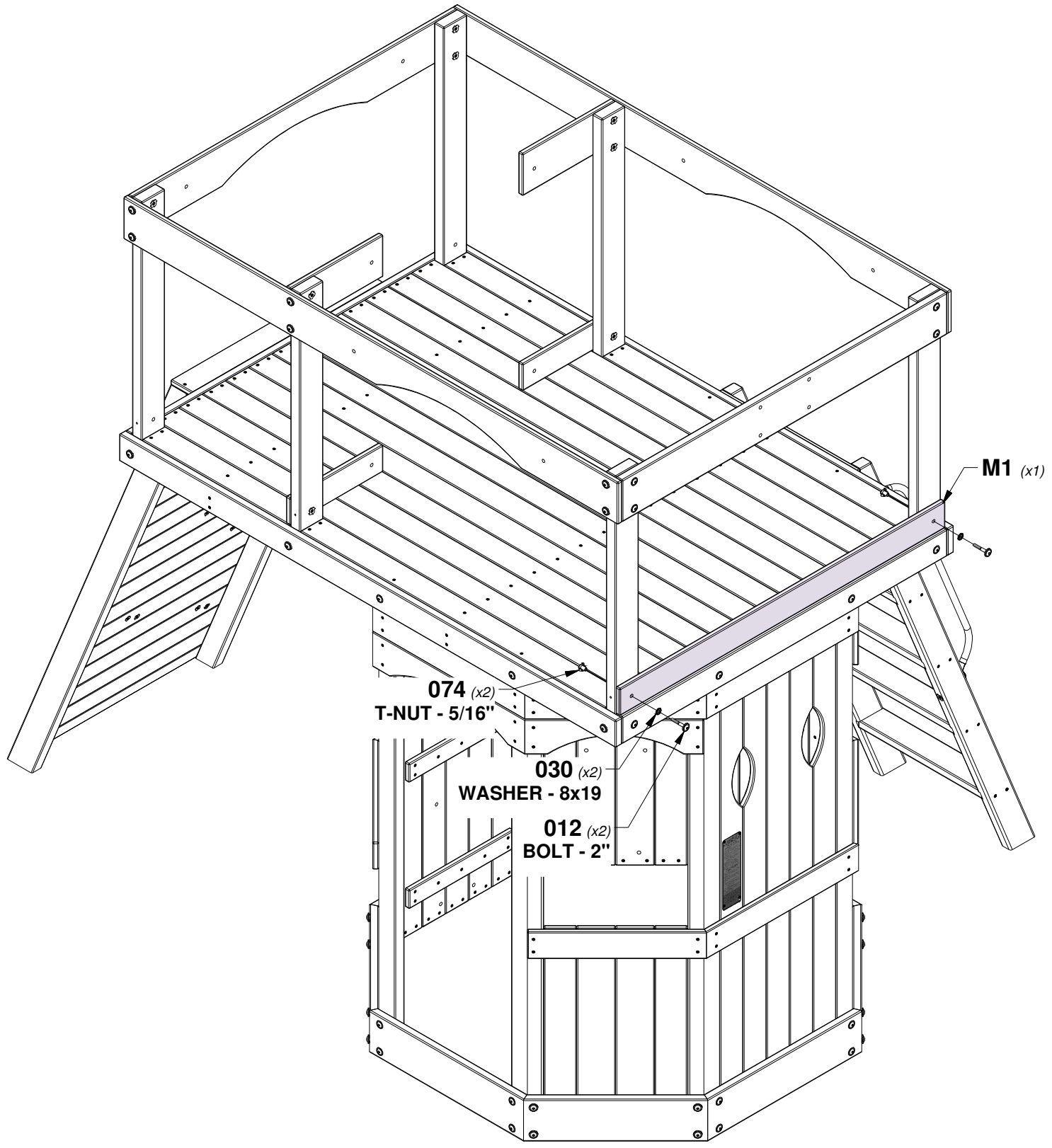
STEP 36 - FORT ASSEMBLY

QTY	PART NUMBER	DESCRIPTION
2	H100012	BOLT WH 5/16x2
2	H100030	WASHER LOCK EXT 8x19
2	H100074	T-NUT 5/16



M1 | WALL RAIL - W4L04479
 (x1) | 5/8"x3 3/8"x47 3/8" (16x86x1204)

TIP:
 INSTALL T-NUTS IN WOOD FIRST

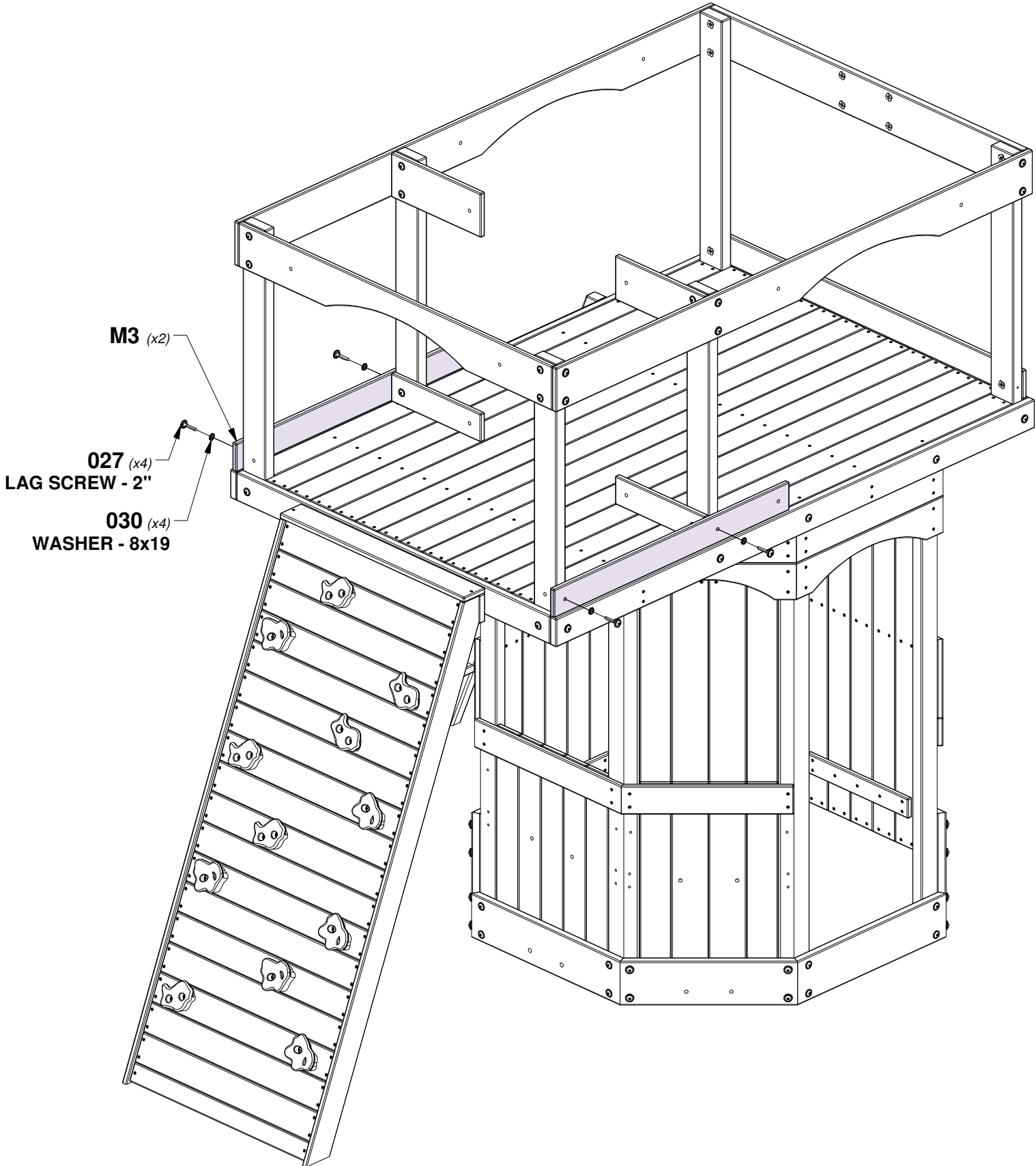


STEP 37 - FORT ASSEMBLY



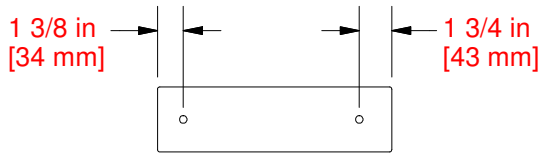
M3 | WALL RAIL - W4L16096
 (x2) | 5/8"x3 3/8"x35 5/8" (16x86x904)

QTY	PART NUMBER	DESCRIPTION
4	H100027	LAG SCREW WH 5/16x2
4	H100030	WASHER LOCK EXT 8x19

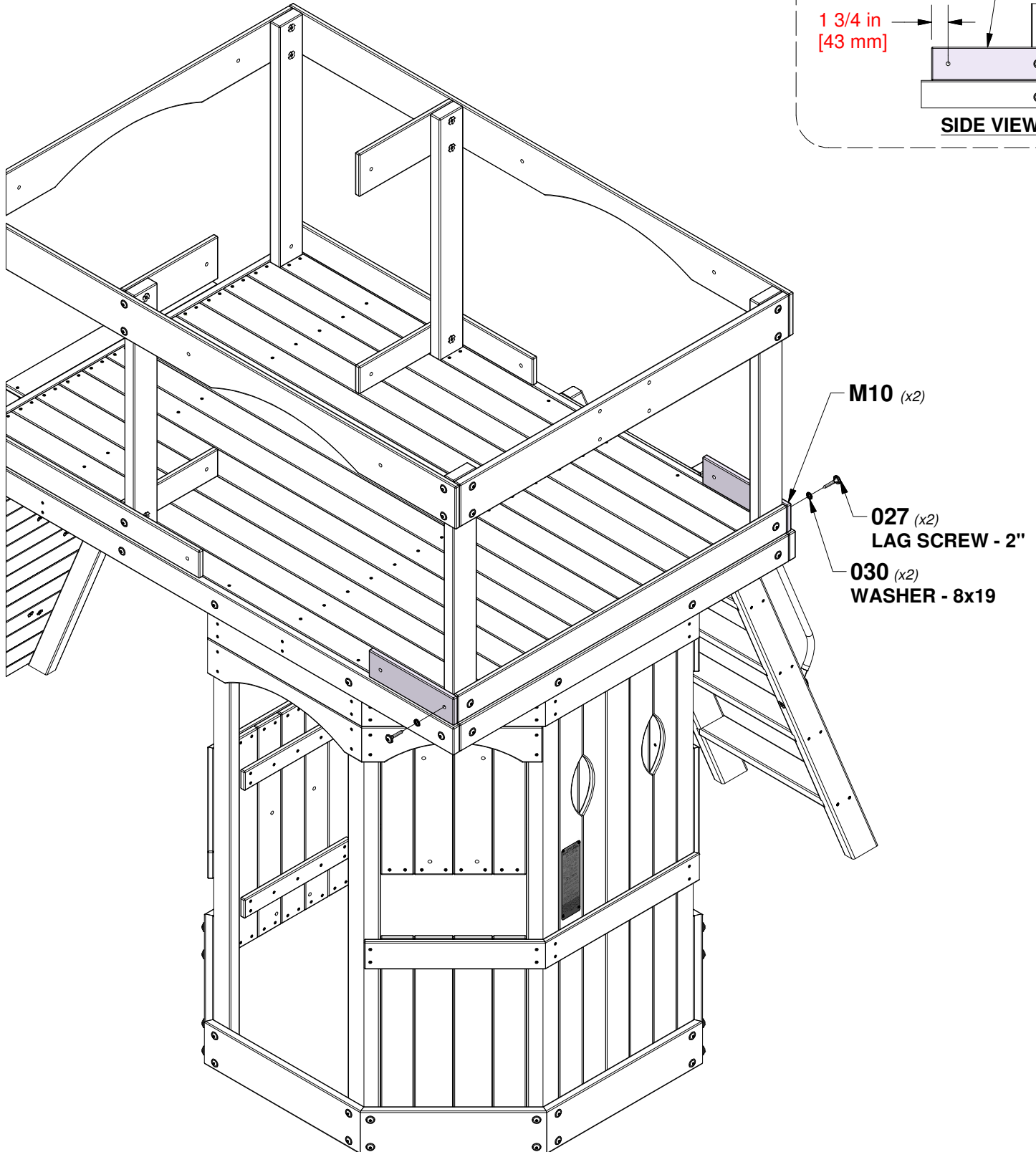
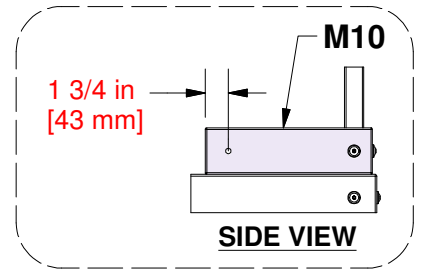


STEP 38 - FORT ASSEMBLY

QTY	PART NUMBER	DESCRIPTION
2	H100027	LAG SCREW WH 5/16x2
2	H100030	WASHER LOCK EXT 8x19

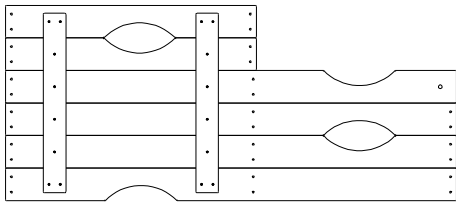


M10 | WALL RAIL - W4L16095
(x2) | 5/8"x3 3/8"x12 1/4" (16x86x310)

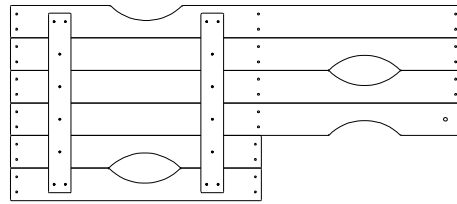


STEP 39 - FORT ASSEMBLY

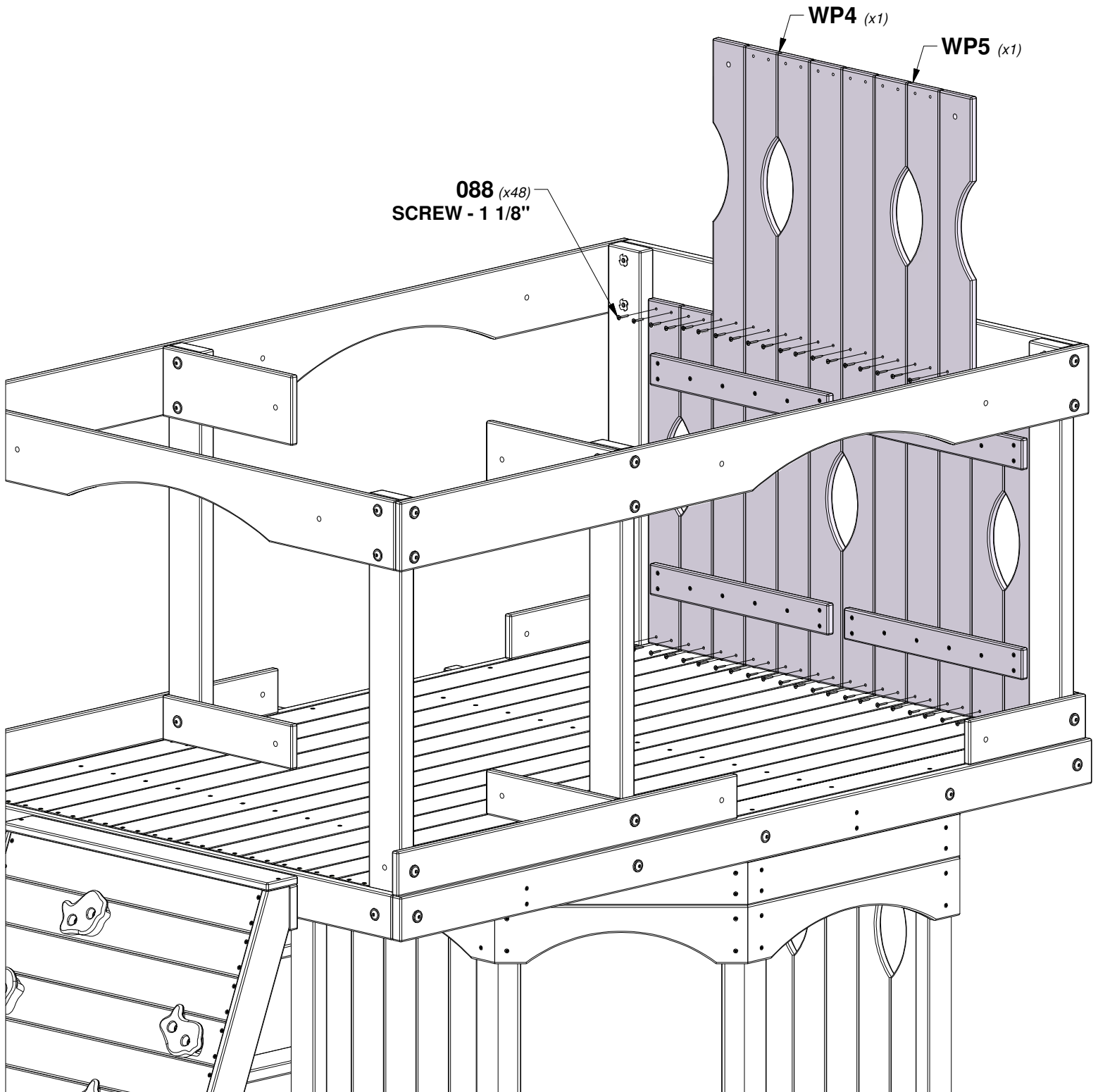
QTY	PART NUMBER	DESCRIPTION
48	H100088	SCREW PFH 8x1-1/8"



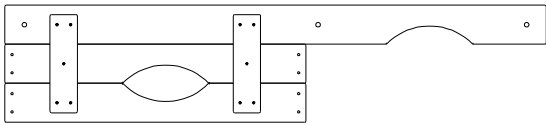
WP4 | WALL PANEL RIGHT - W2A01472
(x1) | 1 1/4"x20 3/8"x47" (32x516x1194)



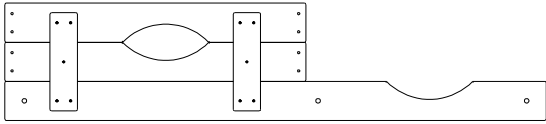
WP5 | WALL PANEL LEFT - W2A01473
(x1) | 1 1/4"x20 3/8"x47" (32x516x1194)



STEP 40 - FORT ASSEMBLY



WP6 | WALL PANEL LEFT - W2A03287
(x1) | 1 1/4"x10 1/8"x47" (32x258x1194)



WP7 | WALL PANEL RIGHT - W2A03286
(x1) | 1 1/4"x10 1/8"x47" (32x258x1194)

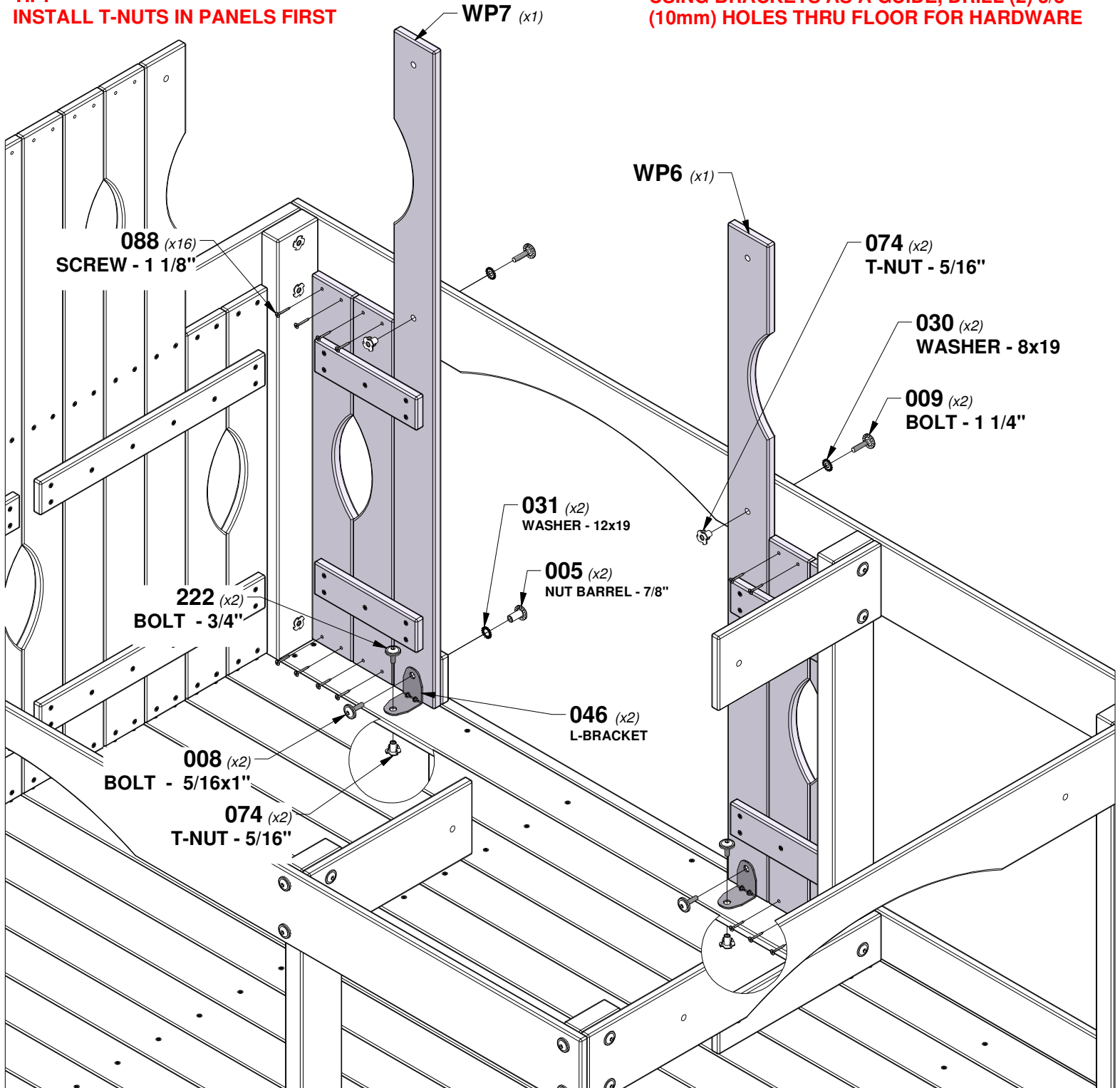


A4M01046 | L BRACKET
(x2) | 2.5x38x55x55

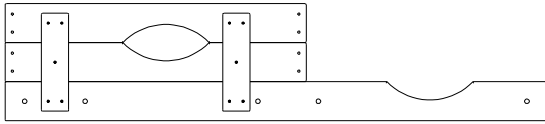
QTY	PART NUMBER	DESCRIPTION
2	H100005	NUT BARREL WH 5/16x7/8
2	H100008	BOLT WH 5/16x1
2	H100009	BOLT WH 5/16x1 1/4
2	H100030	WASHER LOCK EXT 8x19
2	H100031	WASHER LOCK EXT 12x19
4	H100074	T-NUT 5/16
16	H100088	SCREW PFH 8x1-1/8"
2	H100222	BOLT WH 5/16x3/4

TIP:
INSTALL T-NUTS IN PANELS FIRST

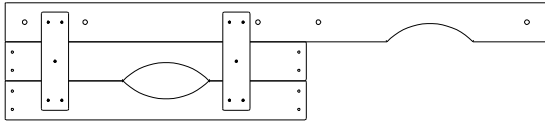
**USING BRACKETS AS A GUIDE, DRILL (2) 3/8"
(10mm) HOLES THRU FLOOR FOR HARDWARE**



STEP 41 - FORT ASSEMBLY



WP15 | WALL PANEL RIGHT - W2A03285
(x1) | 1 1/4"x10 1/8"x47" (32x258x1194)



WP14 | WALL PANEL LEFT - W2A03284
(x1) | 1 1/4"x10 1/8"x47" (32x258x1194)

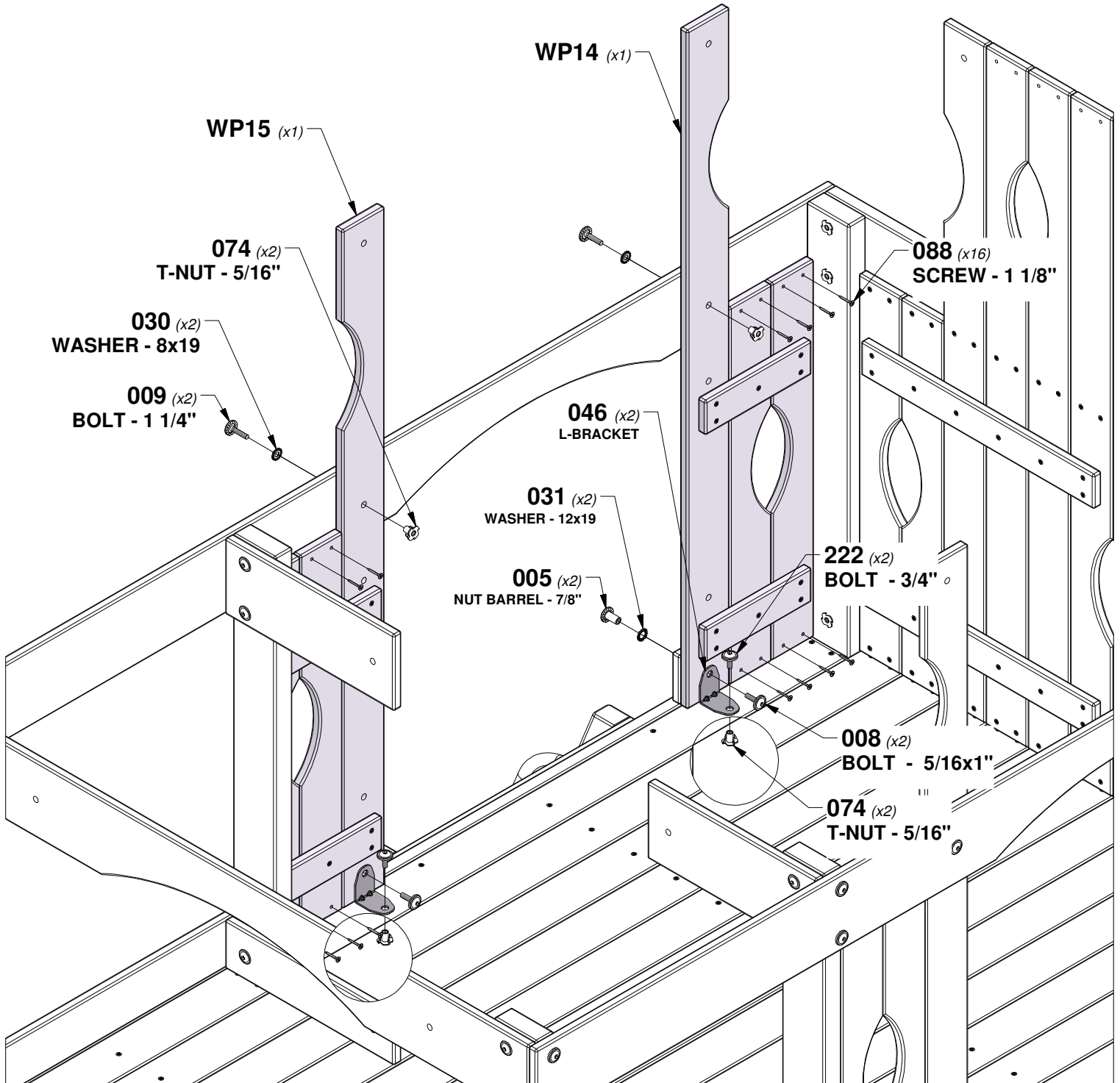


A4M01046 | L BRACKET
(x2) | 2.5x38x55x55

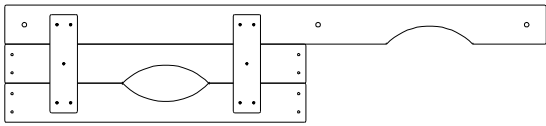
QTY	PART NUMBER	DESCRIPTION
2	H100005	NUT BARREL WH 5/16x7/8
2	H100008	BOLT WH 5/16x1
2	H100009	BOLT WH 5/16x1 1/4
2	H100030	WASHER LOCK EXT 8x19
2	H100031	WASHER LOCK EXT 12x19
4	H100074	T-NUT 5/16
16	H100088	SCREW PFH 8x1-1/8"
2	H100222	BOLT WH 5/16x3/4

TIP:
INSTALL T-NUTS IN WOOD FIRST

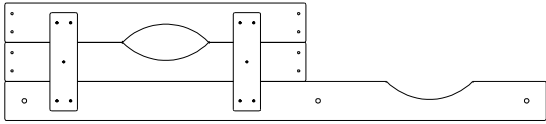
USING BRACKETS AS A GUIDE, DRILL (2) 3/8" (10mm) HOLES THRU FLOOR FOR HARDWARE



STEP 42 - FORT ASSEMBLY



WP6 | WALL PANEL LEFT - W2A03287
(x1) | 1 1/4"x10 1/8"x47" (32x258x1194)



WP7 | WALL PANEL RIGHT - W2A03286
(x1) | 1 1/4"x10 1/8"x47" (32x258x1194)

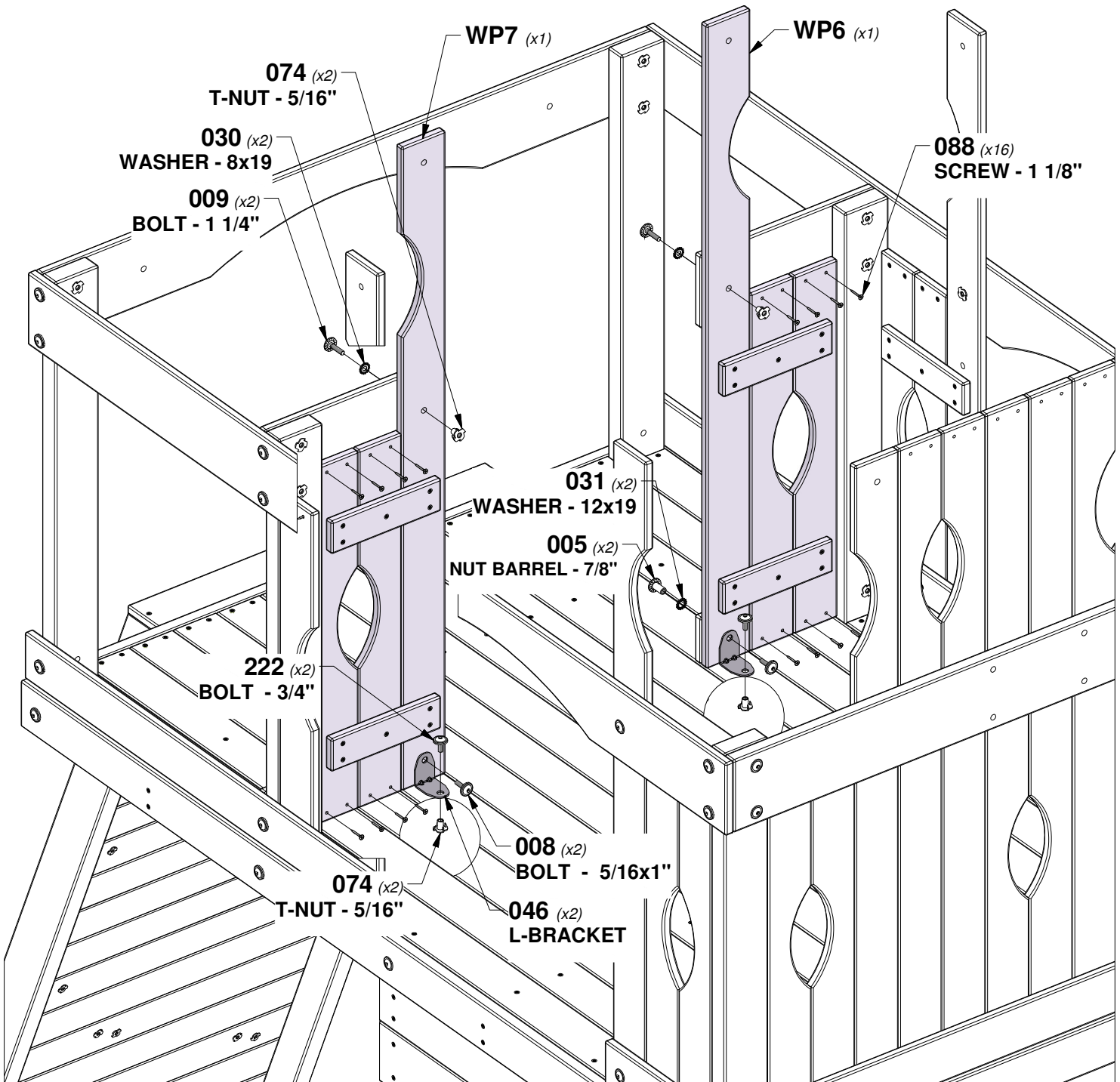


A4M01046 | L BRACKET
(x2) | 2.5x38x55x55

QTY	PART NUMBER	DESCRIPTION
2	H100005	NUT BARREL WH 5/16x7/8
2	H100008	BOLT WH 5/16x1
2	H100009	BOLT WH 5/16x1 1/4
2	H100030	WASHER LOCK EXT 8x19
2	H100031	WASHER LOCK EXT 12x19
4	H100074	T-NUT 5/16
16	H100088	SCREW PFH 8x1-1/8"
2	H100222	BOLT WH 5/16x3/4

TIP:
INSTALL T-NUTS IN WOOD FIRST

USING BRACKETS AS A GUIDE, DRILL (2) 3/8" (10mm) HOLES THRU FLOOR FOR HARDWARE



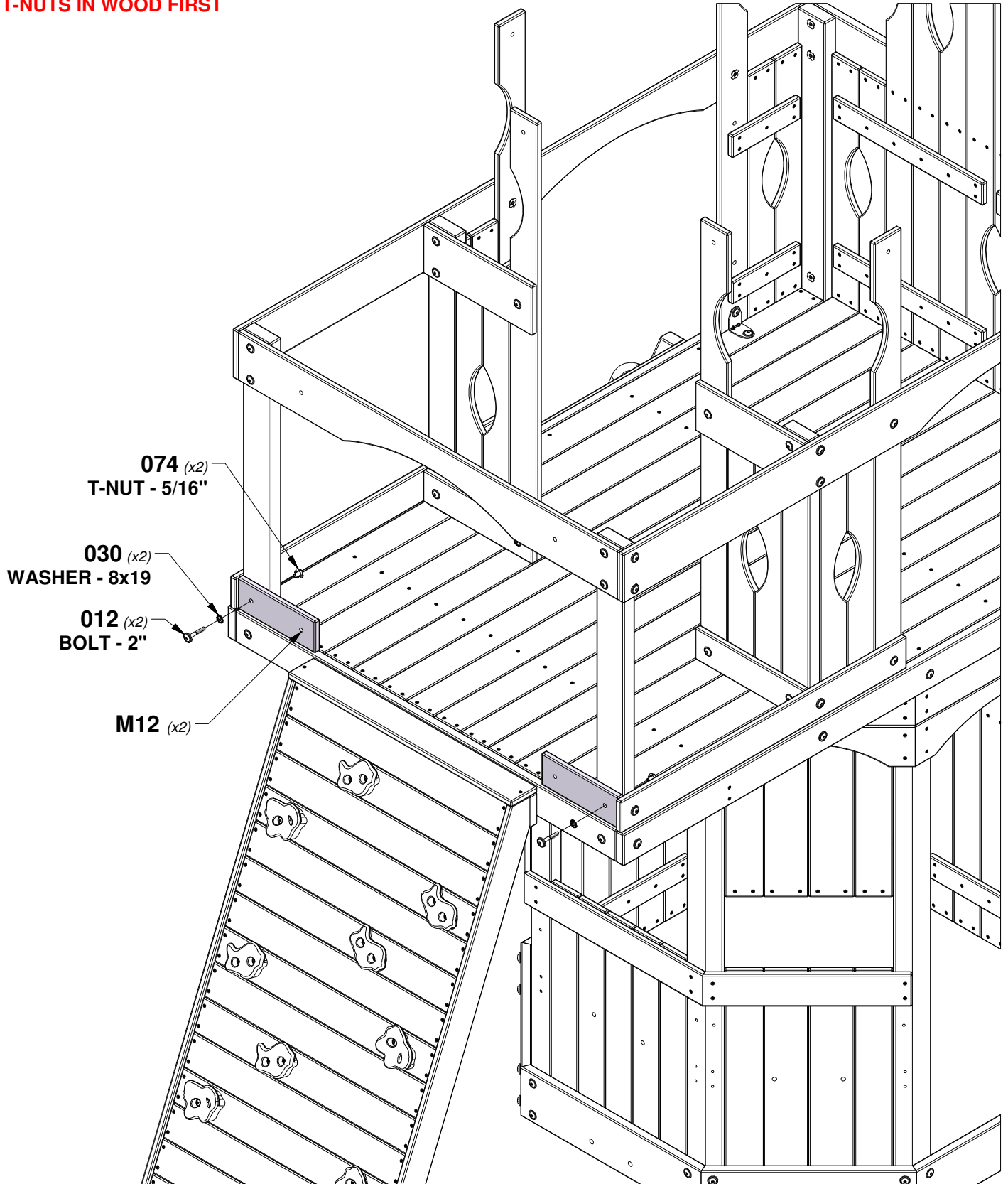
STEP 43 - FORT ASSEMBLY

QTY	PART NUMBER	DESCRIPTION
2	H100012	BOLT WH 5/16x2
2	H100030	WASHER LOCK EXT 8x19
2	H100074	T-NUT 5/16



M12 | WALL RAIL - W4L16097
(x2) | 5/8"x3 3/8"x9 5/8" (16x86x244)

TIP:
INSTALL T-NUTS IN WOOD FIRST



STEP 44 - FORT ASSEMBLY

QTY	PART NUMBER	DESCRIPTION
2	H100005	NUT BARREL WH 5/16x7/8
2	H100008	BOLT WH 5/16x1
2	H100009	BOLT WH 5/16x1 1/4
2	H100030	WASHER LOCK EXT 8x19
2	H100031	WASHER LOCK EXT 12x19
4	H100074	T-NUT 5/16
2	H100222	BOLT WH 5/16x3/4



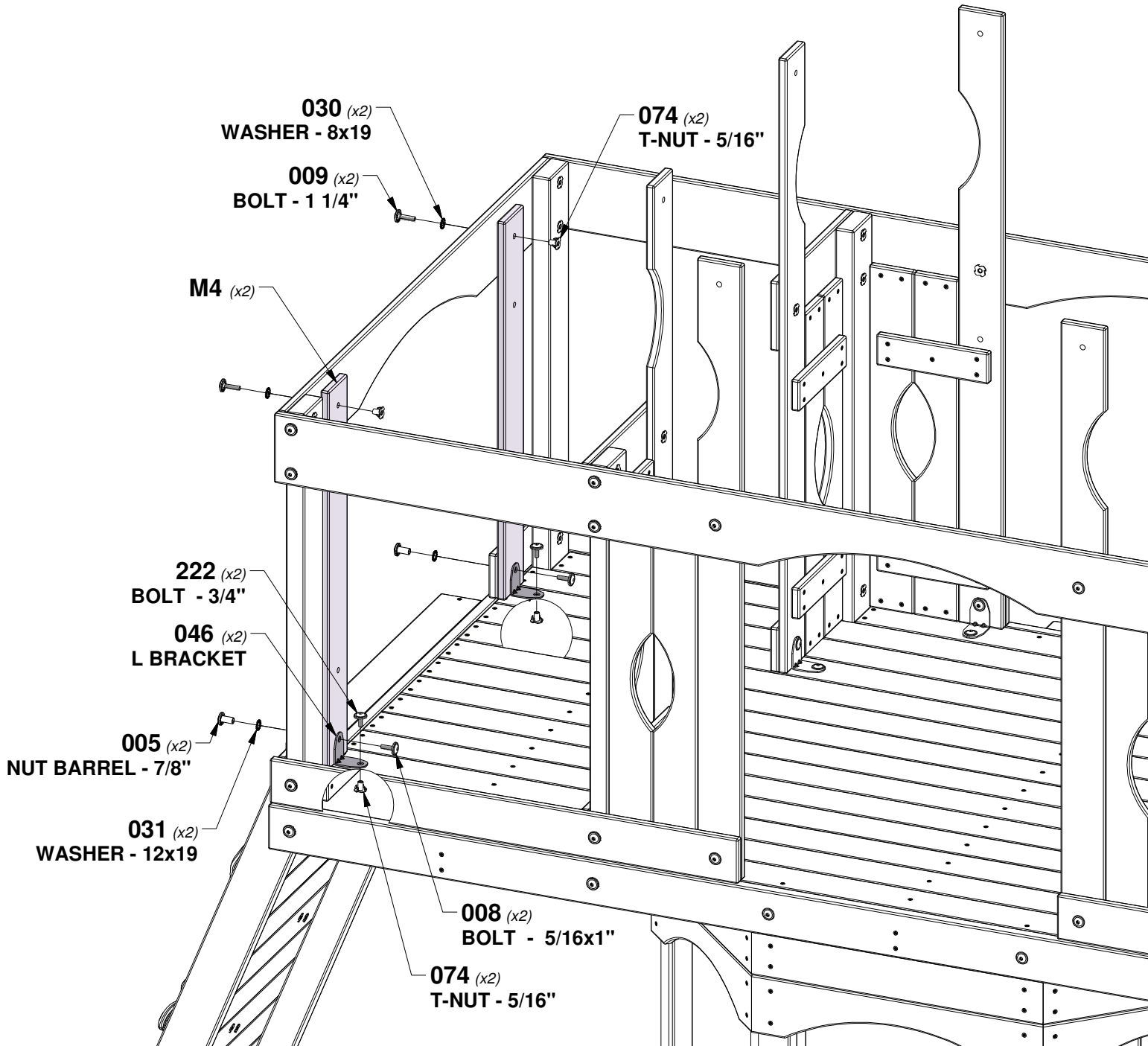
M4 | WALL SLAT - W4L16098
(x2) | 5/8"x3 3/8"x28 7/8" (16x86x734)



A4M01046 | L BRACKET
(x2) | 2.5x38x55x55

TIP:
INSTALL T-NUTS IN WOOD FIRST

USING BRACKETS AS A GUIDE, DRILL (2) 3/8" (10mm) HOLES THRU FLOOR FOR HARDWARE

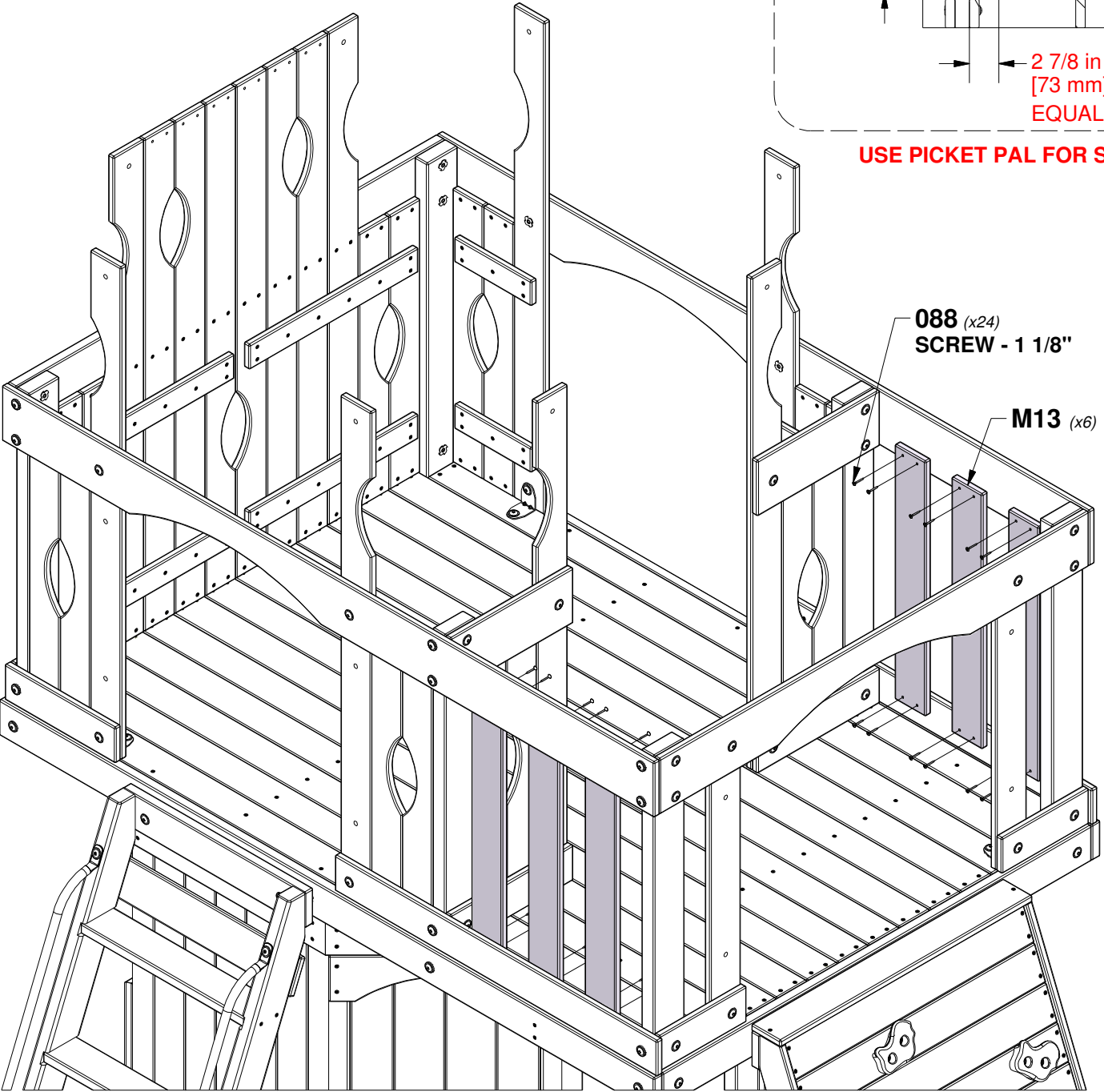
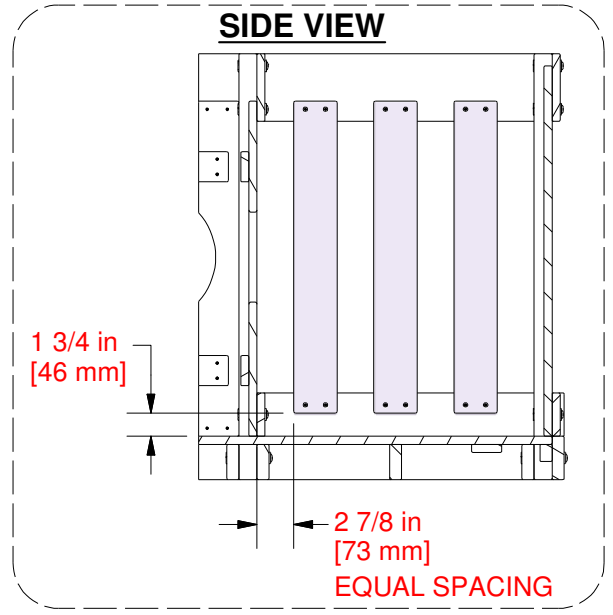


STEP 45 - FORT ASSEMBLY

QTY	PART NUMBER	DESCRIPTION
24	H100088	SCREW PFH 8x1-1/8"



M13 | WALL SLAT - W4L04557
 (x6) 5/8"x3 3/8"x24 3/8" (16x86x618)



STEP 46 - FORT ASSEMBLY

QTY	PART NUMBER	DESCRIPTION
4	H100010	BOLT WH 5/16x1 1/2
4	H100030	WASHER LOCK EXT 8x19
4	H100074	T-NUT 5/16
12	H100088	SCREW PFH 8x1-1/8"

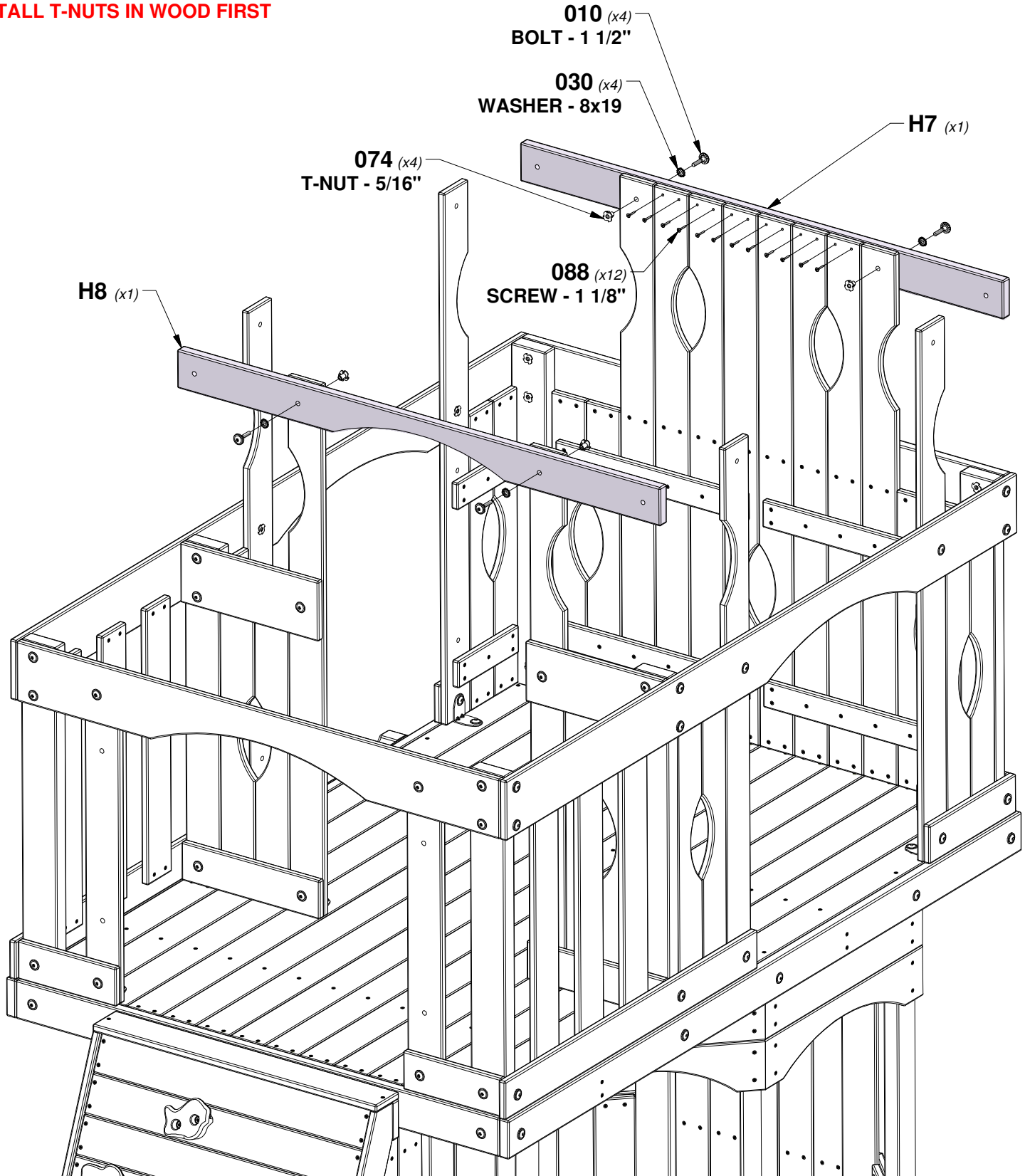


H8 | ARCHED ROOF SUPPORT - W4L16106
(x1) | 1"x3 3/8"x47 3/8" (24x86x1204)



H7 | ROOF SUPPORT - W4L16105
(x1) | 1"x3 3/8"x47 3/8" (24x86x1204)

TIP:
INSTALL T-NUTS IN WOOD FIRST



STEP 47 - FORT ASSEMBLY

QTY	PART NUMBER	DESCRIPTION
8	H100005	NUT BARREL WH 5/16x7/8
4	H100010	BOLT WH 5/16x1 1/2
4	H100030	WASHER LOCK EXT 8x19
8	H100031	WASHER LOCK EXT 12x19
4	H100074	T-NUT 5/16
8	H100115	BOLT WH 5/16x1/2

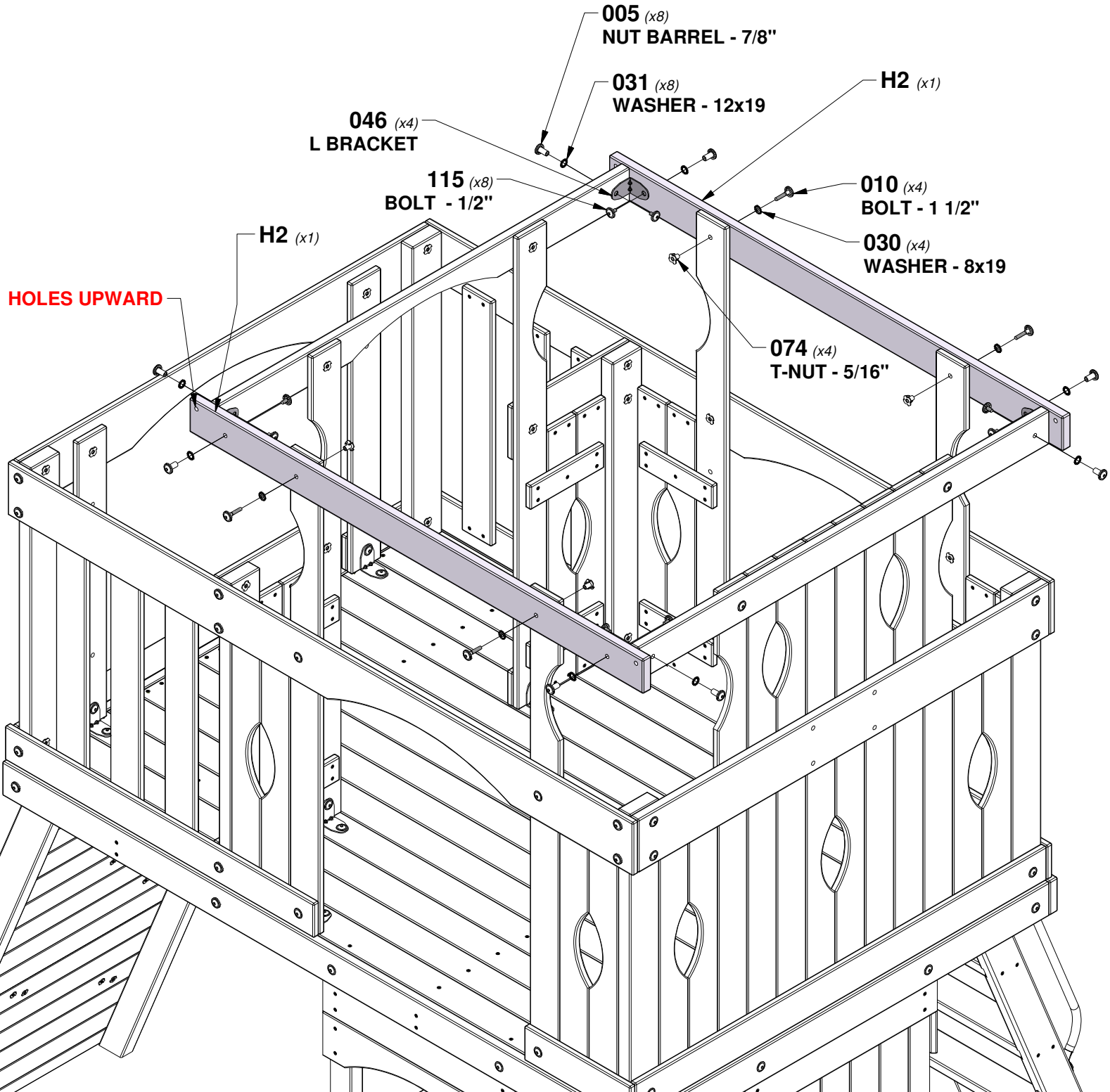


H2 ROOF SUPPORT - W4L16107
(x2) 1"x3 3/8"x52 1/4" (24x86x1328)



A4M01046 L BRACKET
(x4) 2.5x38x55x55

TIP:
INSTALL T-NUTS IN WOOD FIRST



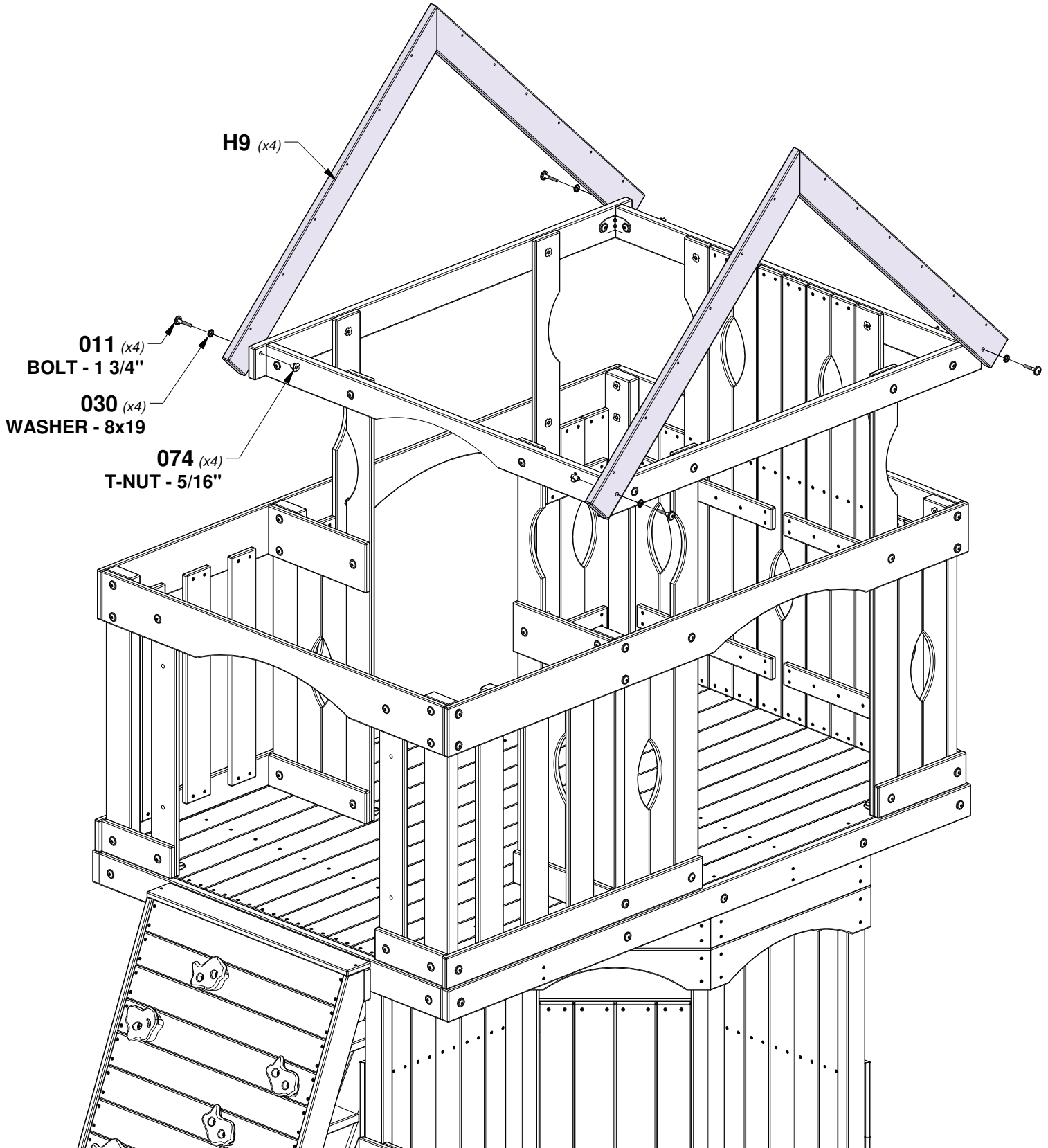
STEP 48 - FORT ASSEMBLY

QTY	PART NUMBER	DESCRIPTION
4	H100011	BOLT WH 5/16x1 3/4
4	H100030	WASHER LOCK EXT 8x19
4	H100074	T-NUT 5/16



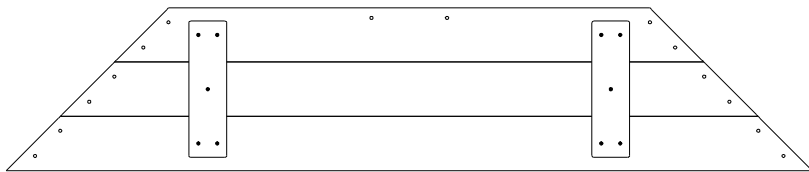
H9 | RAFTER - W4L04492
 (x4) | 1"x3 3/8"x40 7/8" (24x86x1038)

TIP:
INSTALL T-NUTS IN WOOD FIRST



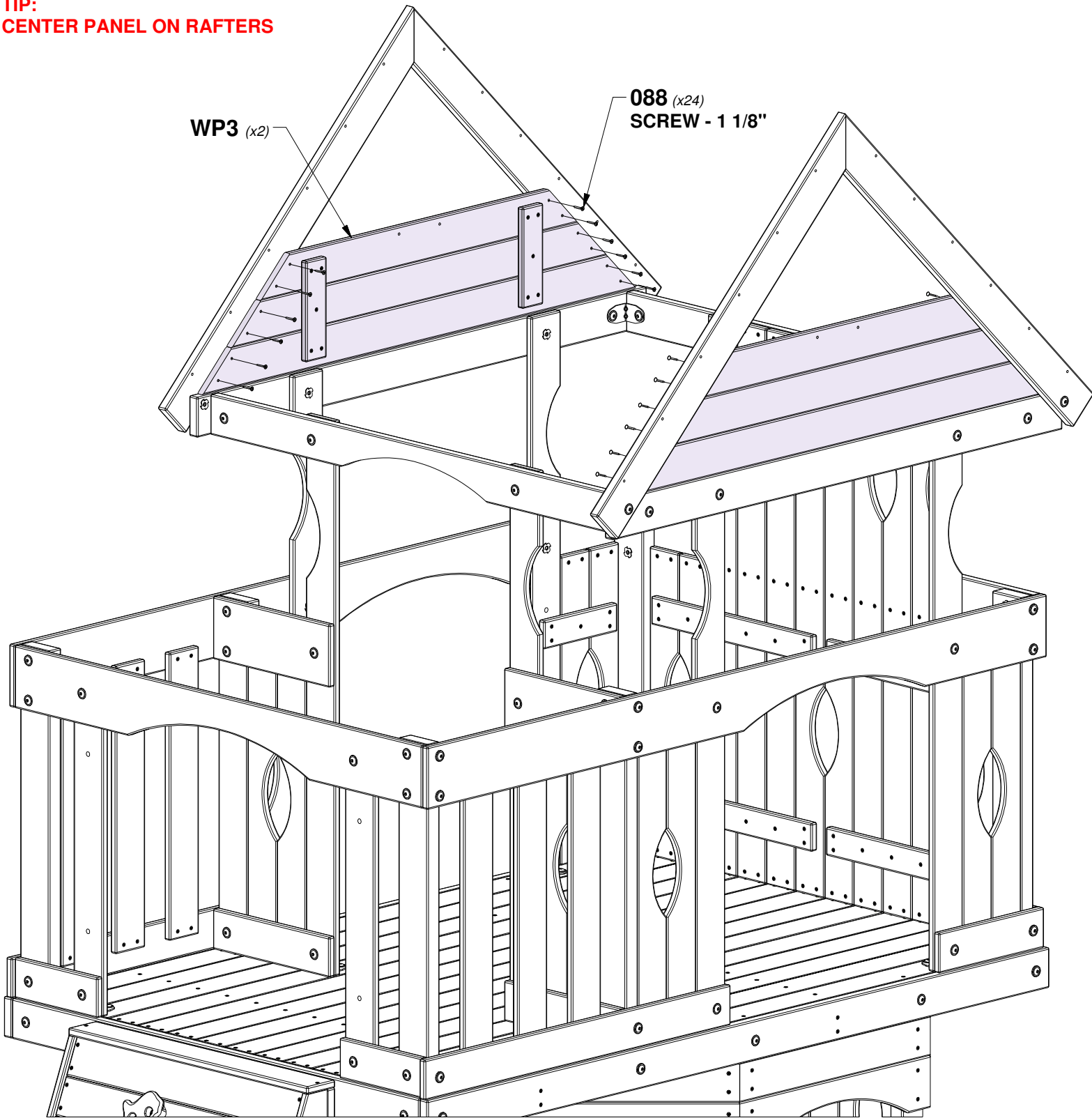
STEP 49 - FORT ASSEMBLY

QTY	PART NUMBER	DESCRIPTION
24	H100088	SCREW PFH 8x1-1/8"



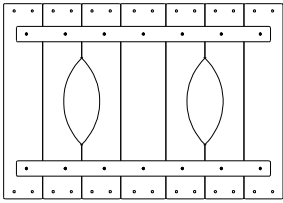
WP3 | GABLE - W2A01476
(x2) | 1 1/4"x10 1/8"x50 3/8" (32x258x1280)

TIP:
CENTER PANEL ON RAFTERS

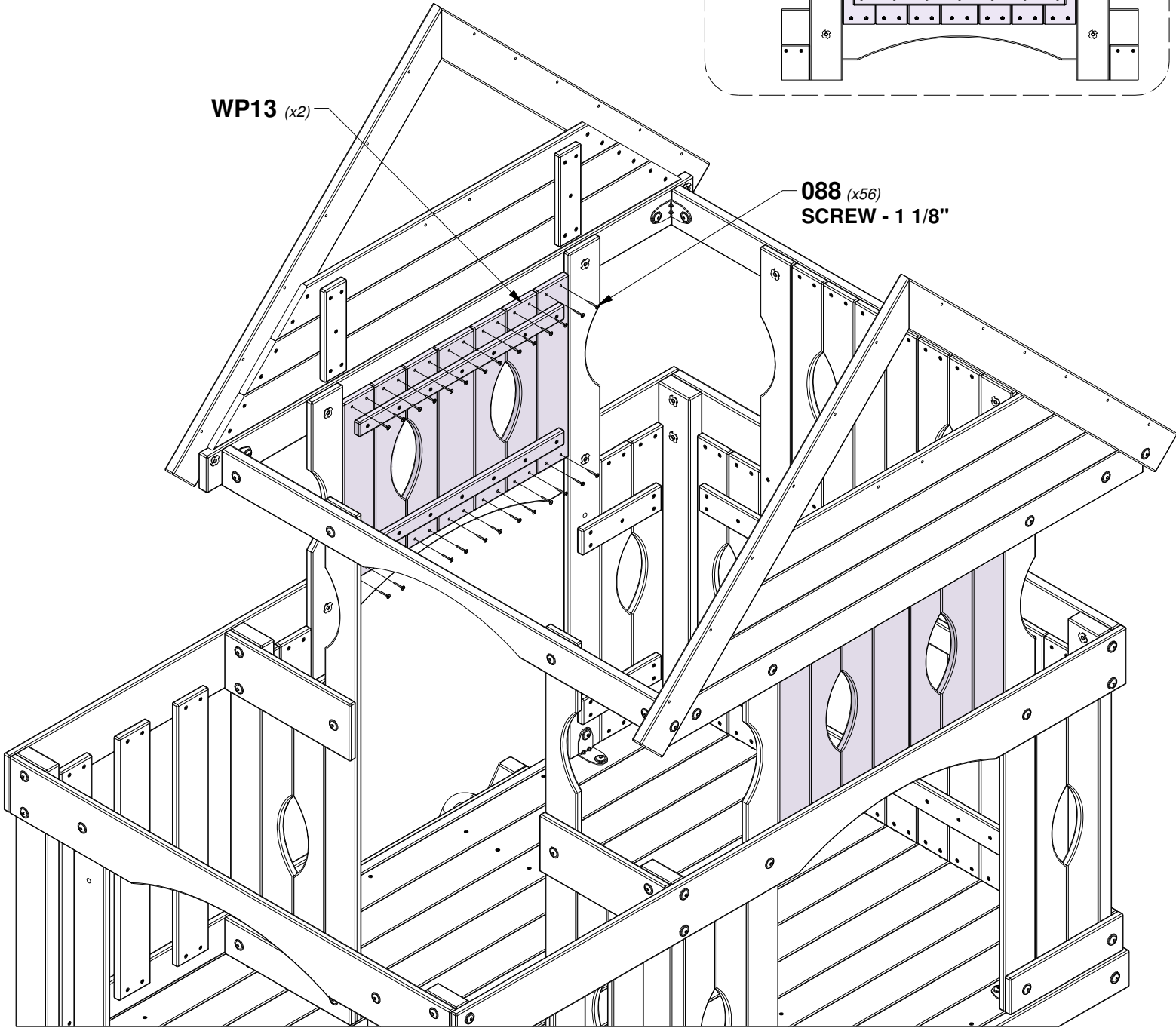
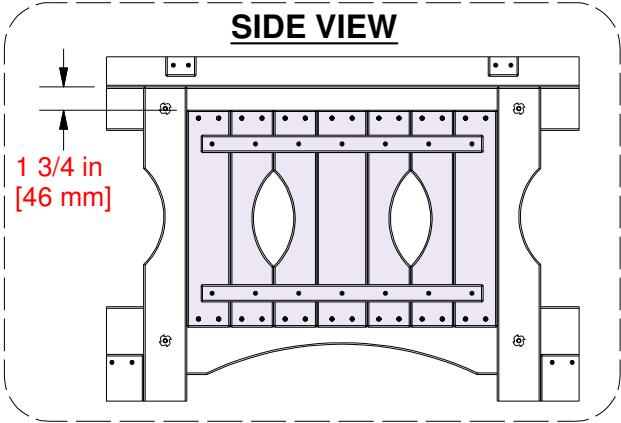


STEP 50 - FORT ASSEMBLY

QTY	PART NUMBER	DESCRIPTION
56	H100088	SCREW PFH 8x1-1/8"



WP13 | WALL PANEL - W2A01477
 (x2) | 1 1/4"x16 5/8"x24 1/4" (32x430x616)



WP13 (x2)

088 (x56)
SCREW - 1 1/8"

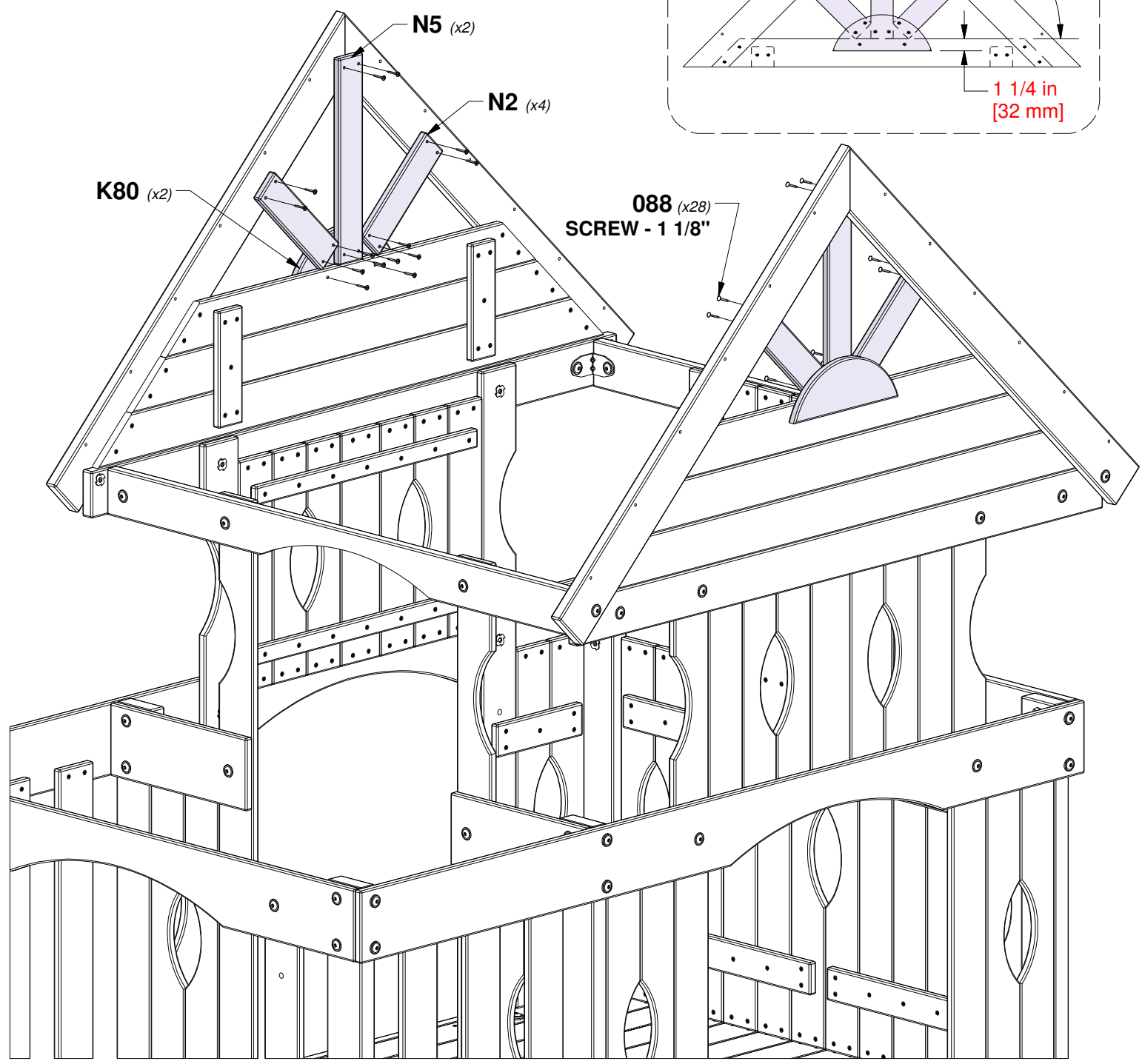
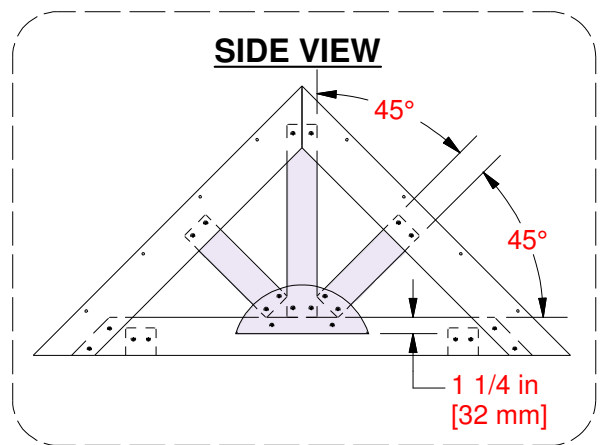
STEP 51 - FORT ASSEMBLY

QTY	PART NUMBER	DESCRIPTION
28	H100088	SCREW PFH 8x1-1/8"

N5 | SUNBURST BOARD - W4L04493
 (x2) | 5/8"x2 3/8"x15" (16x60x382)

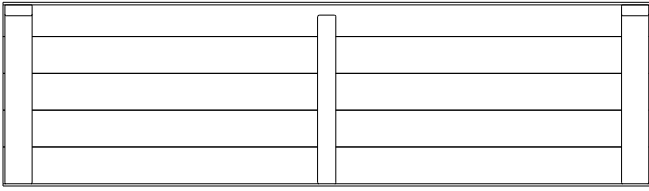
N2 | SUNBURST BOARD - W4L16115
 (x4) | 5/8"x2 3/8"x9" (16x60x230)

K80 | SUNBURST HALF MOON - W103694
 (x2) | 5/8"x3 3/4"x10 3/8" (16x96x264)

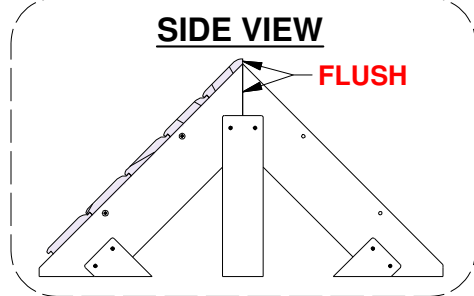


STEP 52 - FORT ASSEMBLY

QTY	PART NUMBER	DESCRIPTION
4	H100089	SCREW PFH 8x1-3/4"

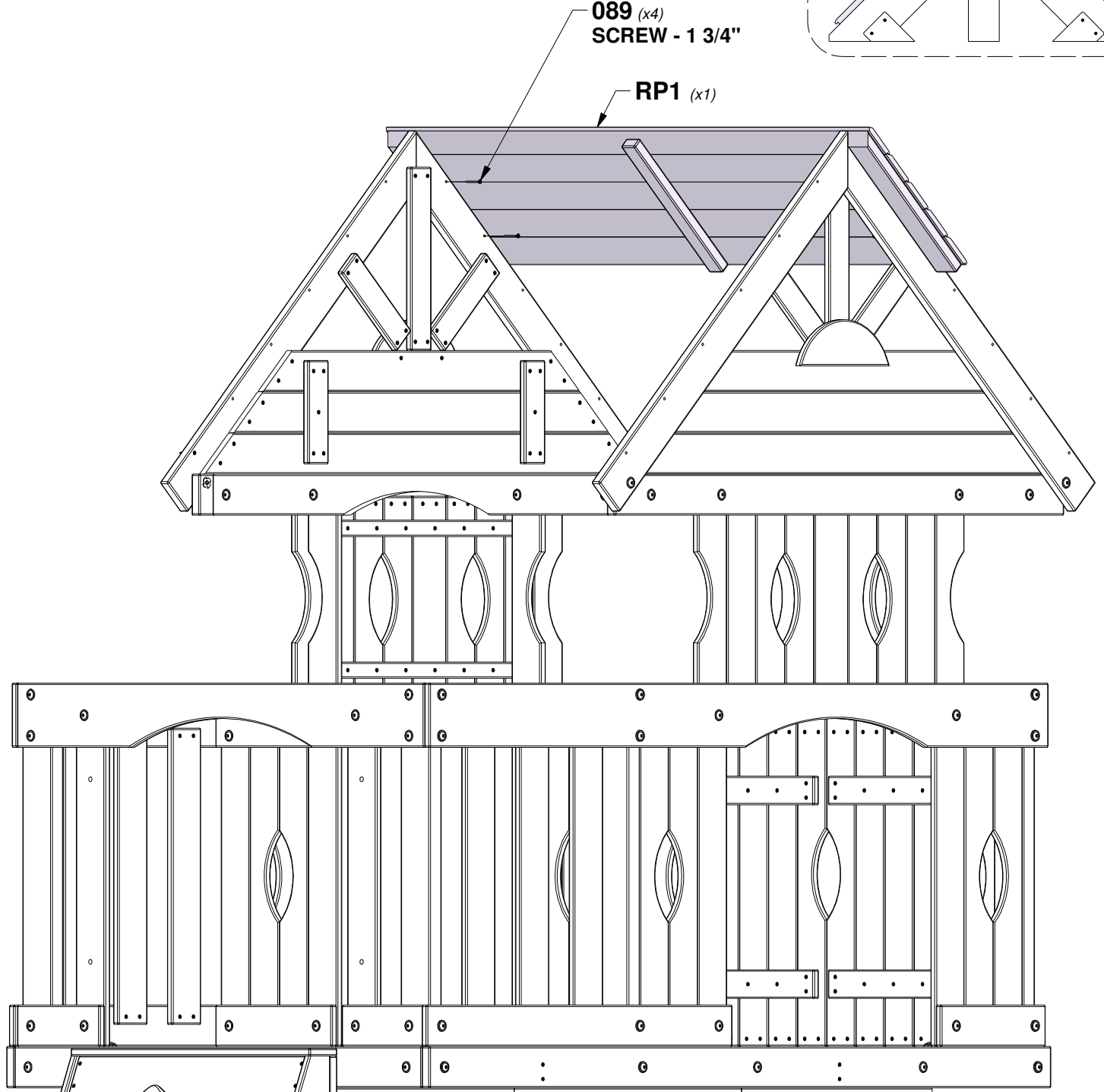


RP1 | PEAK ROOF PANEL - W2A01478
 (x1) | 1 3/8"x15 7/8"x56 1/4" (35x404x1428)



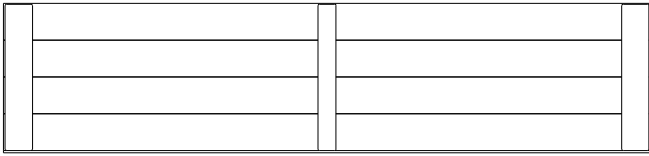
089 (x4)
 SCREW - 1 3/4"

RP1 (x1)



STEP 53 - FORT ASSEMBLY

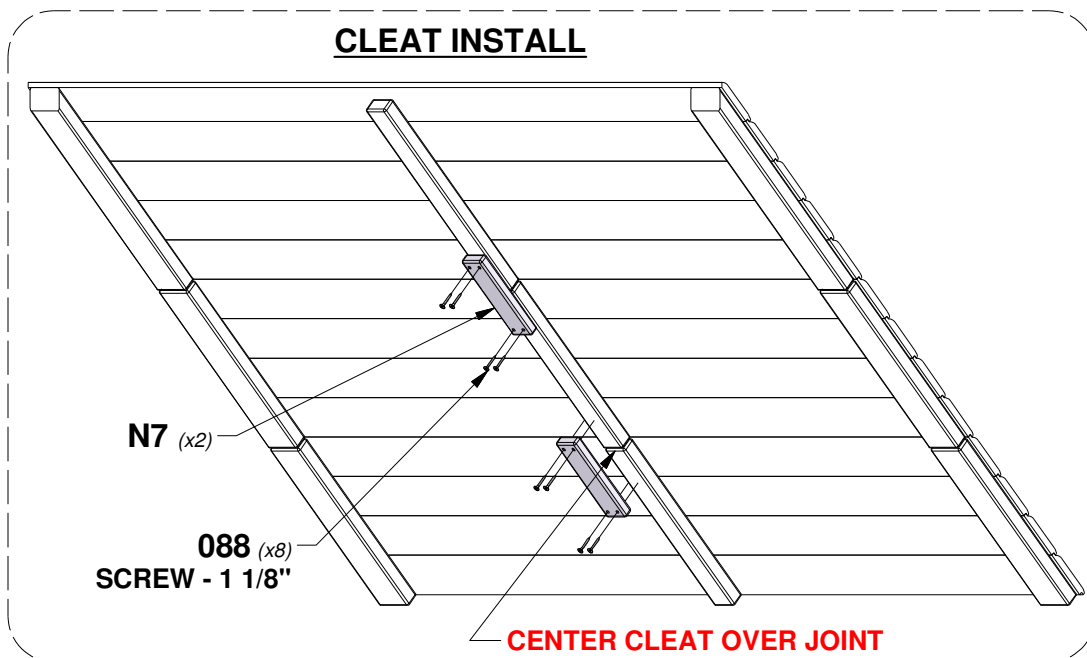
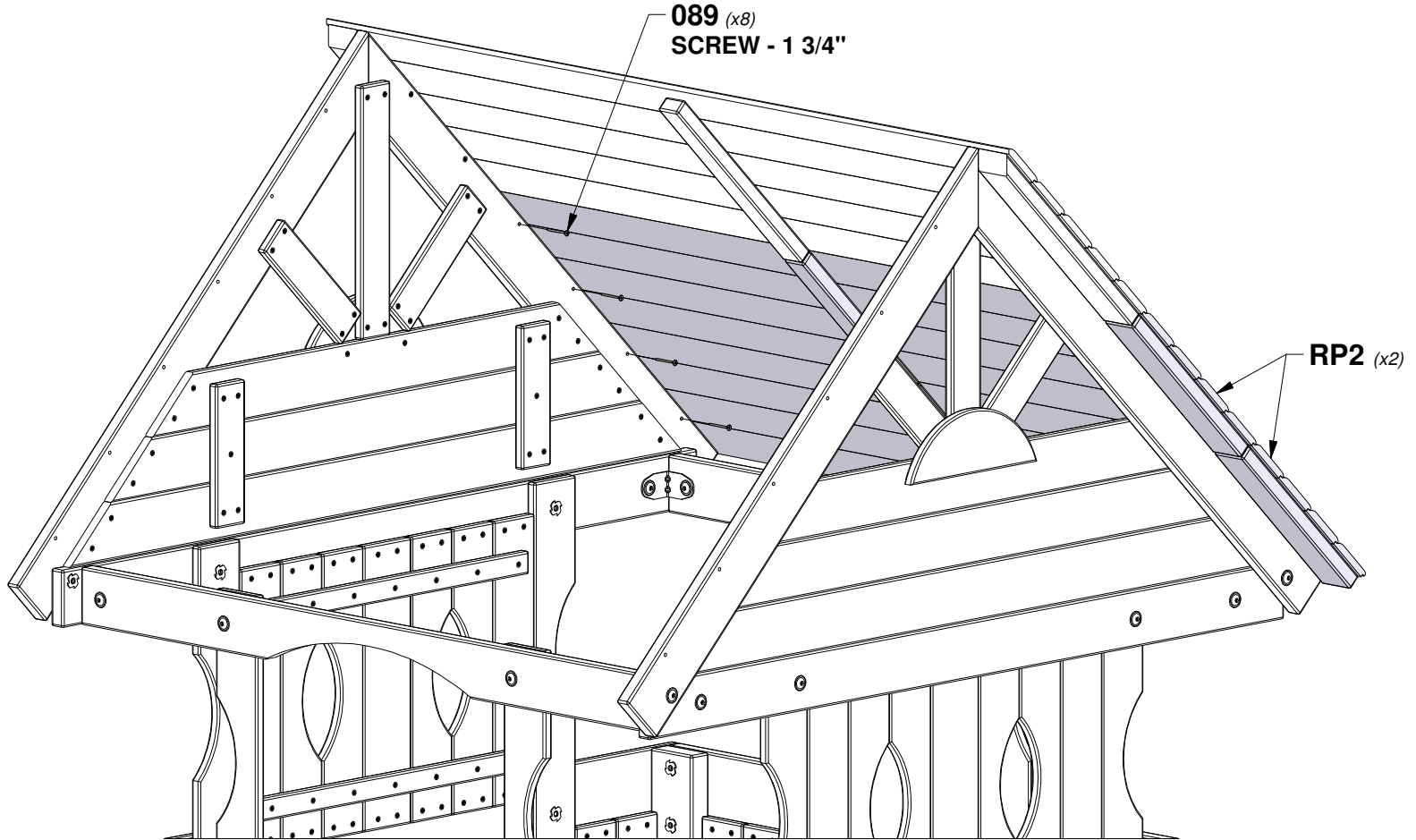
QTY	PART NUMBER	DESCRIPTION
8	H100088	SCREW PFH 8x1-1/8"
8	H100089	SCREW PFH 8x1-3/4"



RP2 | ROOF PANEL - W2A01479
(x2) | 1 3/8"x13"x56 1/4" (35x329x1428)

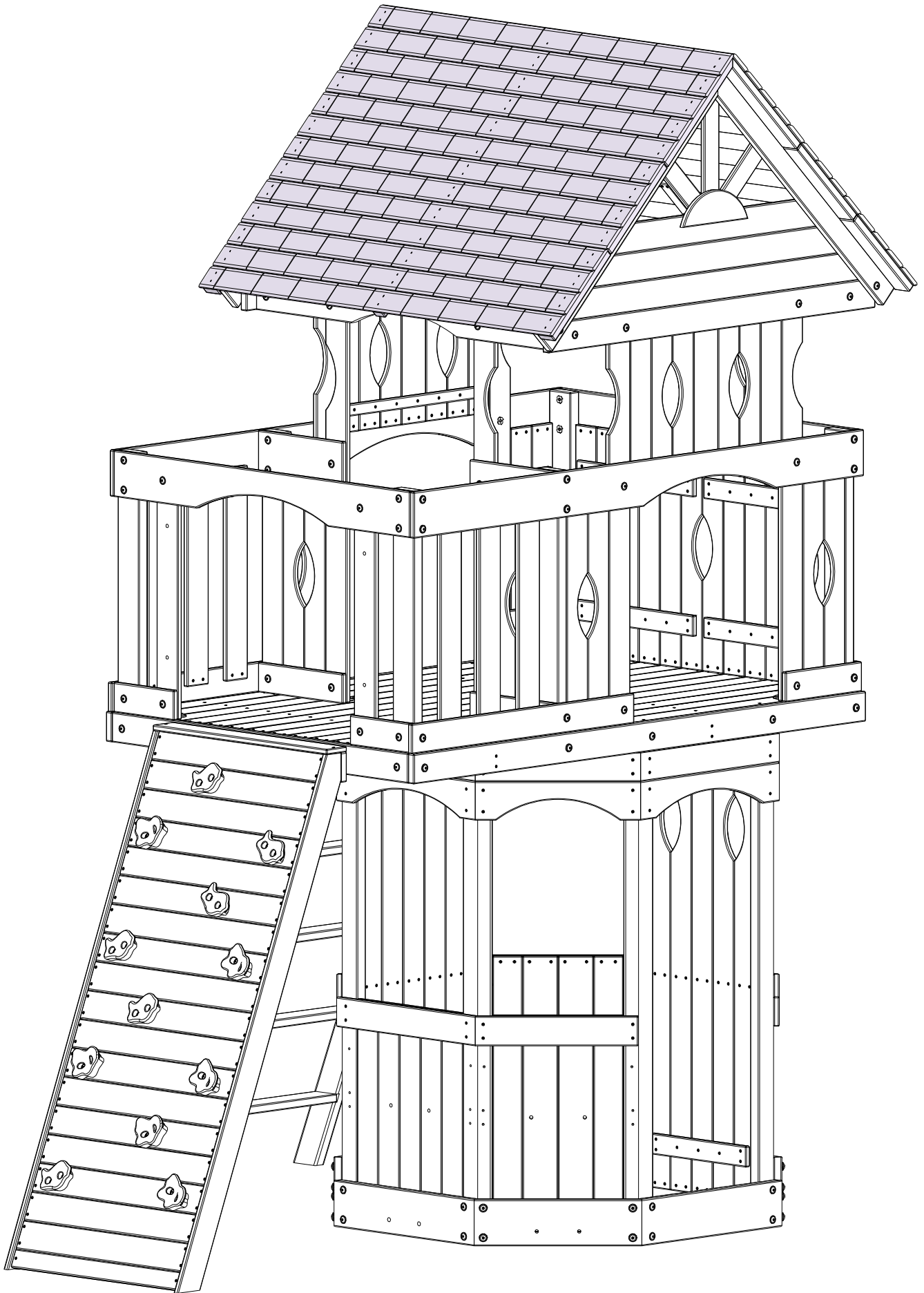


N7 | ROOF CLEAT TIE BLOCK - W4L04874
(x2) | 5/8"x1 5/8"x6" (16x40x152)



STEP 54 - FORT ASSEMBLY

REPEAT STEPS 52 AND 53 TO ATTACH ROOF BOARDS TO OTHER SIDE OF FORT.



STEP 55 - FORT ASSEMBLY

QTY	PART NUMBER	DESCRIPTION
6	H100086	SCREW PFH 8x1-1/2"
2	H100138	WASHER LOCK EXT 6x15
2	H100146	LAG SCREW WH 1/4x2



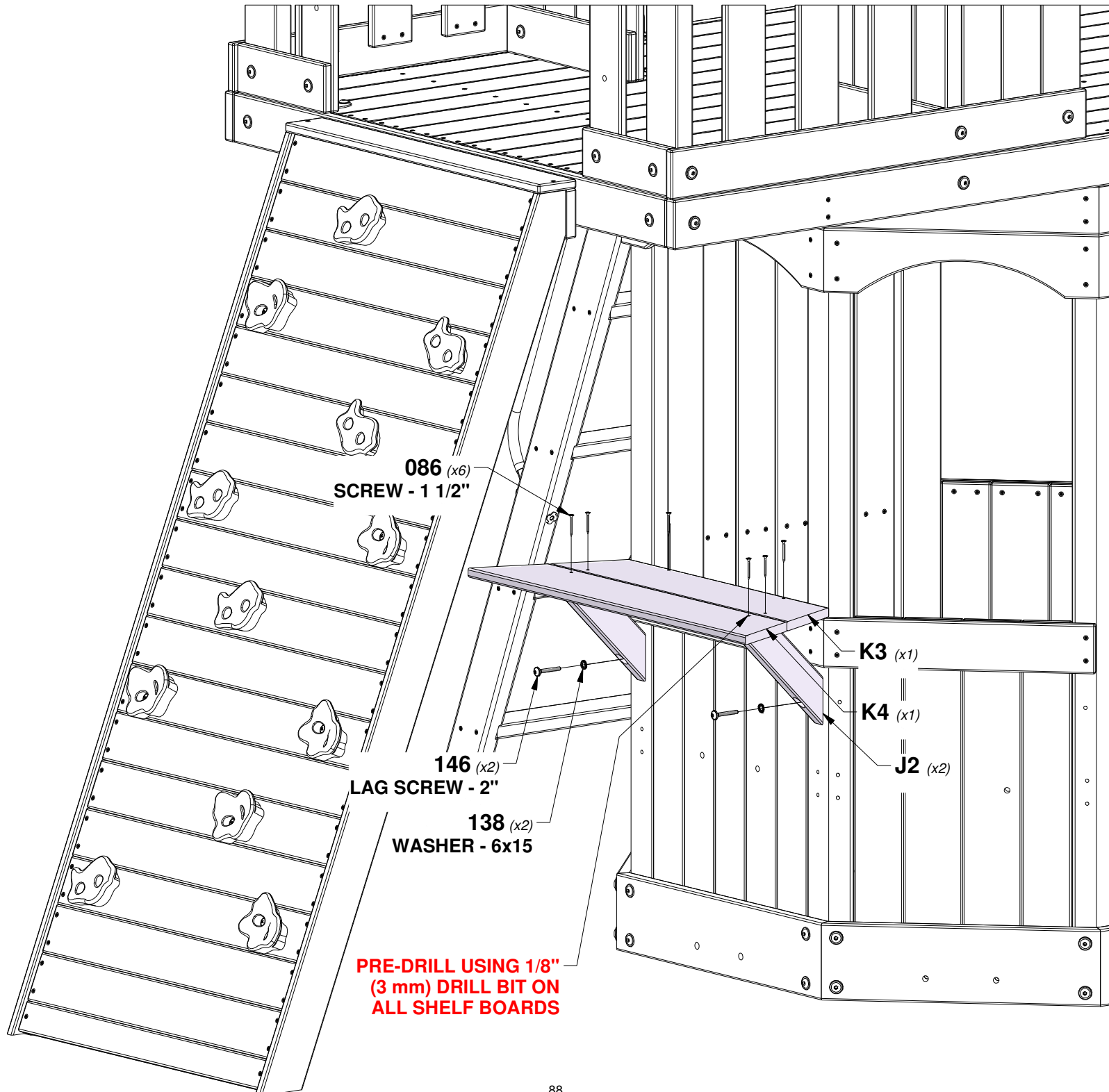
K4 | CENTER SHELF - W4L04545
(x1) | 5/8"x5 1/4"x30 3/8" (16x134x772)



K3 | CENTER SHELF - W4L04544
(x1) | 5/8"x5 1/4"x26" (16x134x661)



J2 | INNER SHELF BRACE - W4L04549
(x2) | 1"x2 3/8"x10 5/8" (24x60x270)

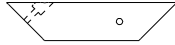


STEP 56 - FORT ASSEMBLY

QTY	PART NUMBER	DESCRIPTION
4	H100086	SCREW PFH 8x1-1/2"
2	H100138	WASHER LOCK EXT 6x15
2	H100146	LAG SCREW WH 1/4x2



K5 | OUTER SHELF - W4L04547
(x1) | 5/8"x5 1/4"x22 1/2" (16x134x573)



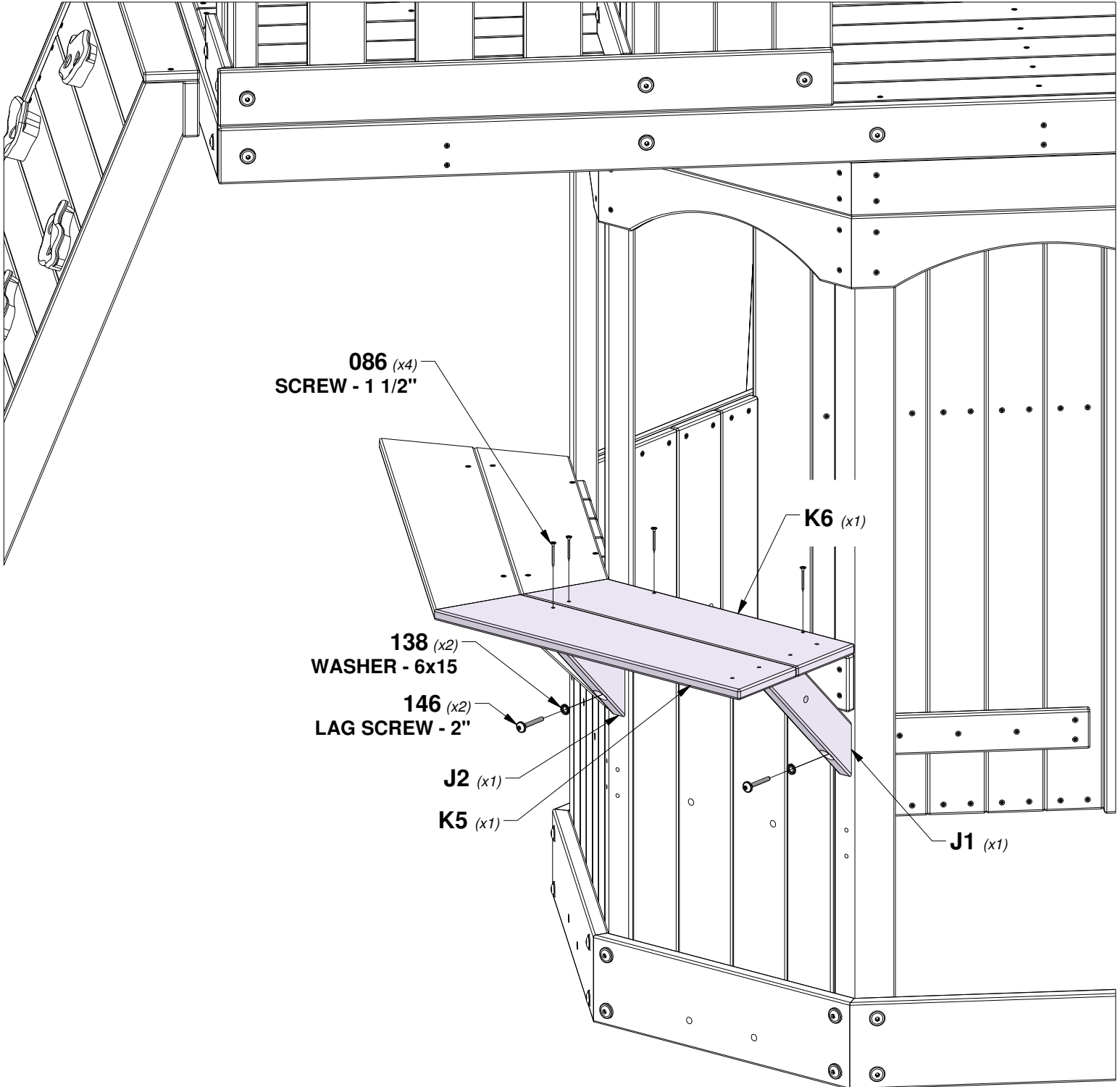
J1 | OUTER SHELF BRACE - W4L04550
(x1) | 1"x2 3/8"x10 5/8" (24x60x270)



K6 | OUTER SHELF - W4L04546
(x1) | 5/8"x5 1/4"x20 3/8" (16x134x518)



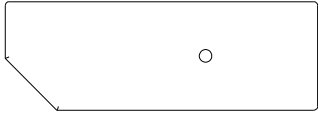
J2 | INNER SHELF BRACE - W4L04549
(x1) | 1"x2 3/8"x10 5/8" (24x60x270)



STEP 57 - FORT ASSEMBLY

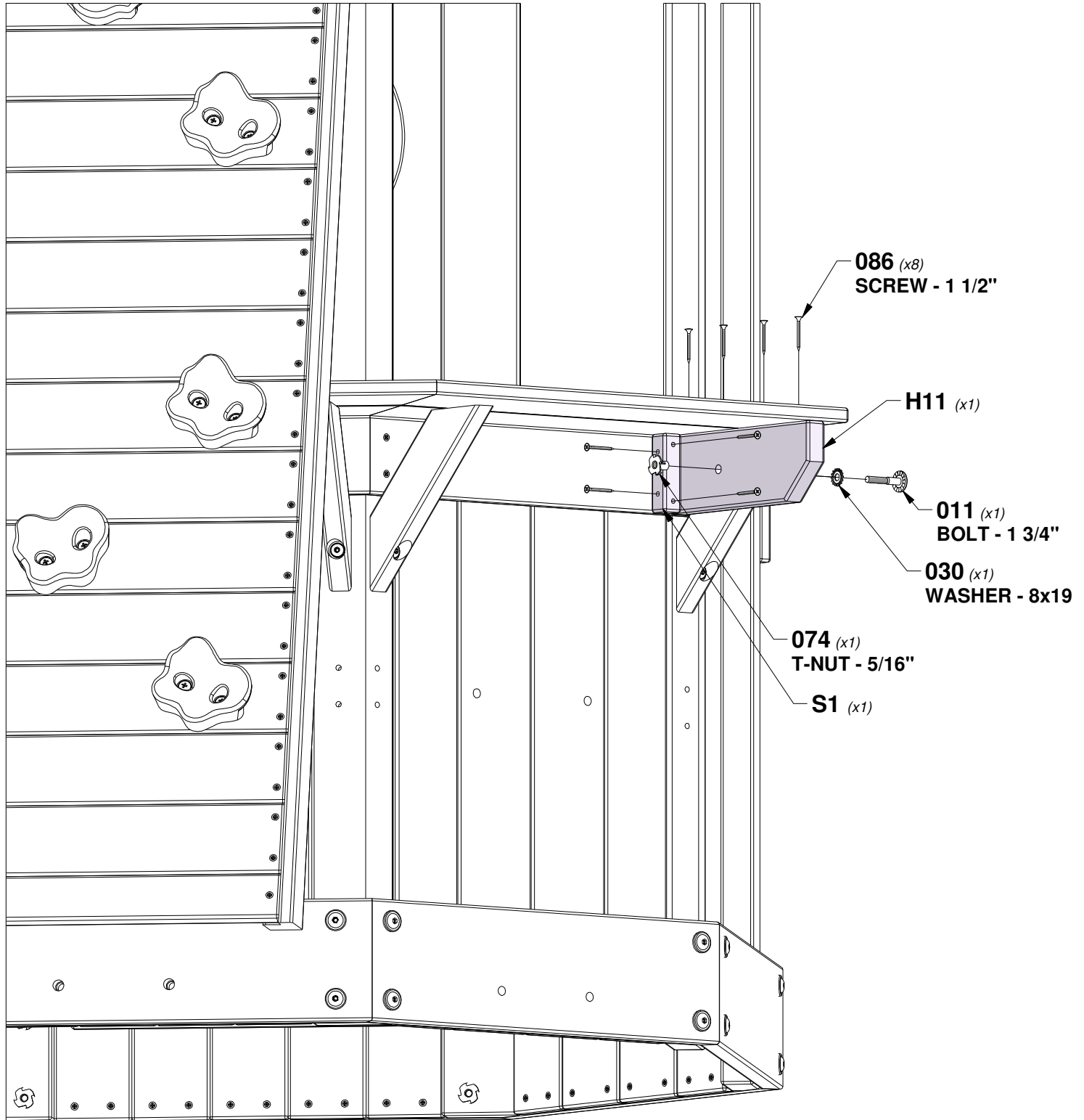
QTY	PART NUMBER	DESCRIPTION
1	H100011	BOLT WH 5/16x1 3/4
1	H100030	WASHER LOCK EXT 8x19
1	H100074	T-NUT 5/16
8	H100086	SCREW PFH 8x1-1/2"

S1 | ATTACHMENT BLOCK - W4L04552
 (x1) | 1"x1"x3 3/8" (24x24x86)



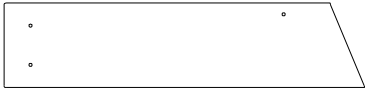
H11 | SHELF SUPPORT - W4L16114
 (x1) | 1"x3 3/8"x9 3/4" (24x86x248)

TIP:
INSTALL T-NUTS IN WOOD FIRST

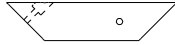


STEP 58 - FORT ASSEMBLY

QTY	PART NUMBER	DESCRIPTION
4	H100086	SCREW PFH 8x1-1/2"
2	H100138	WASHER LOCK EXT 6x15
2	H100146	LAG SCREW WH 1/4x2



K5 | OUTER SHELF - W4L04547
(x1) | 5/8"x5 1/4"x22 1/2" (16x134x573)



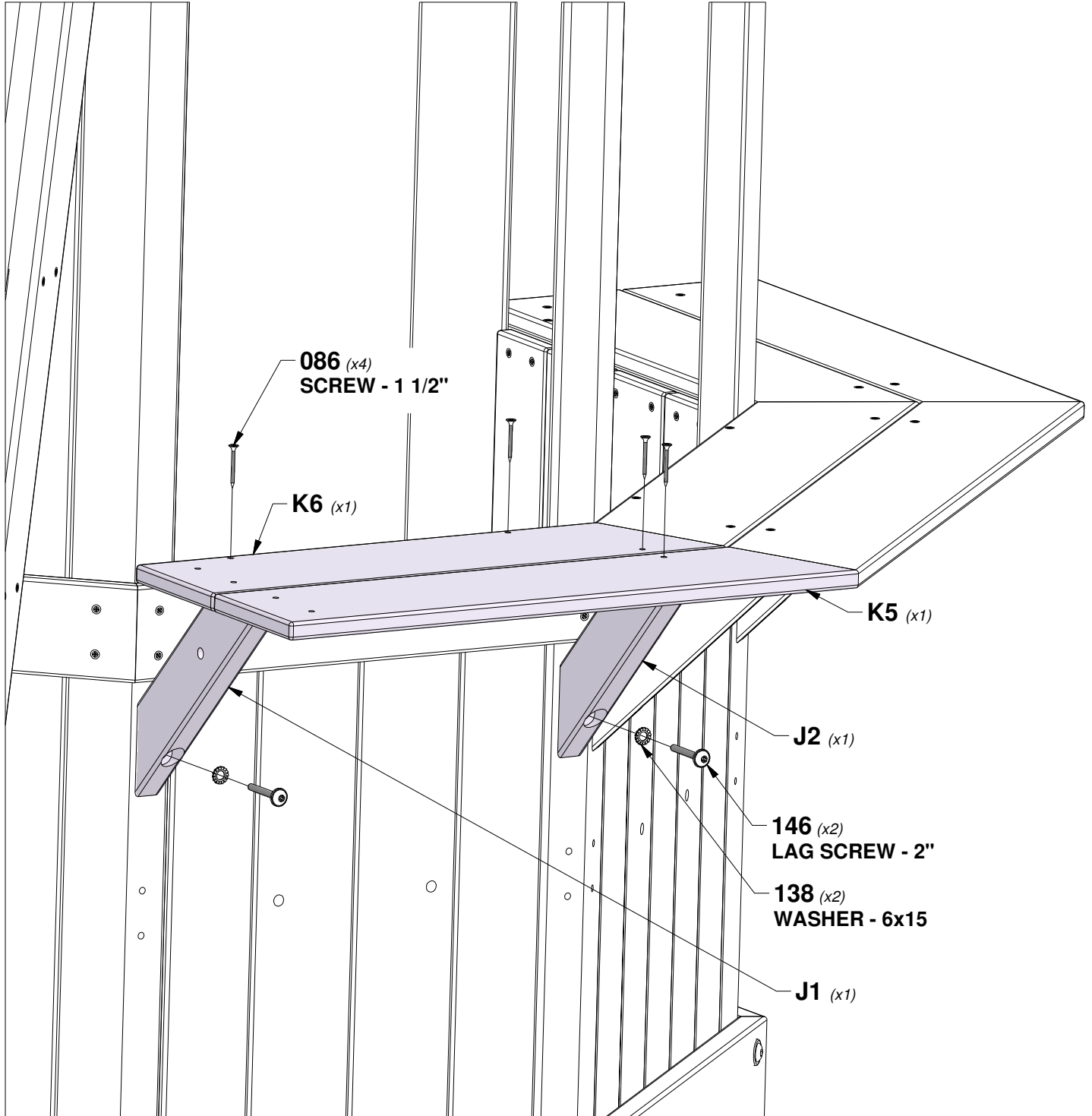
J1 | OUTER SHELF BRACE - W4L04550
(x1) | 1"x2 3/8"x10 5/8" (24x60x270)



K6 | OUTER SHELF - W4L04546
(x1) | 5/8"x5 1/4"x20 3/8" (16x134x518)



J2 | INNER SHELF BRACE - W4L04549
(x1) | 1"x2 3/8"x10 5/8" (24x60x270)



STEP 59 - FORT ASSEMBLY

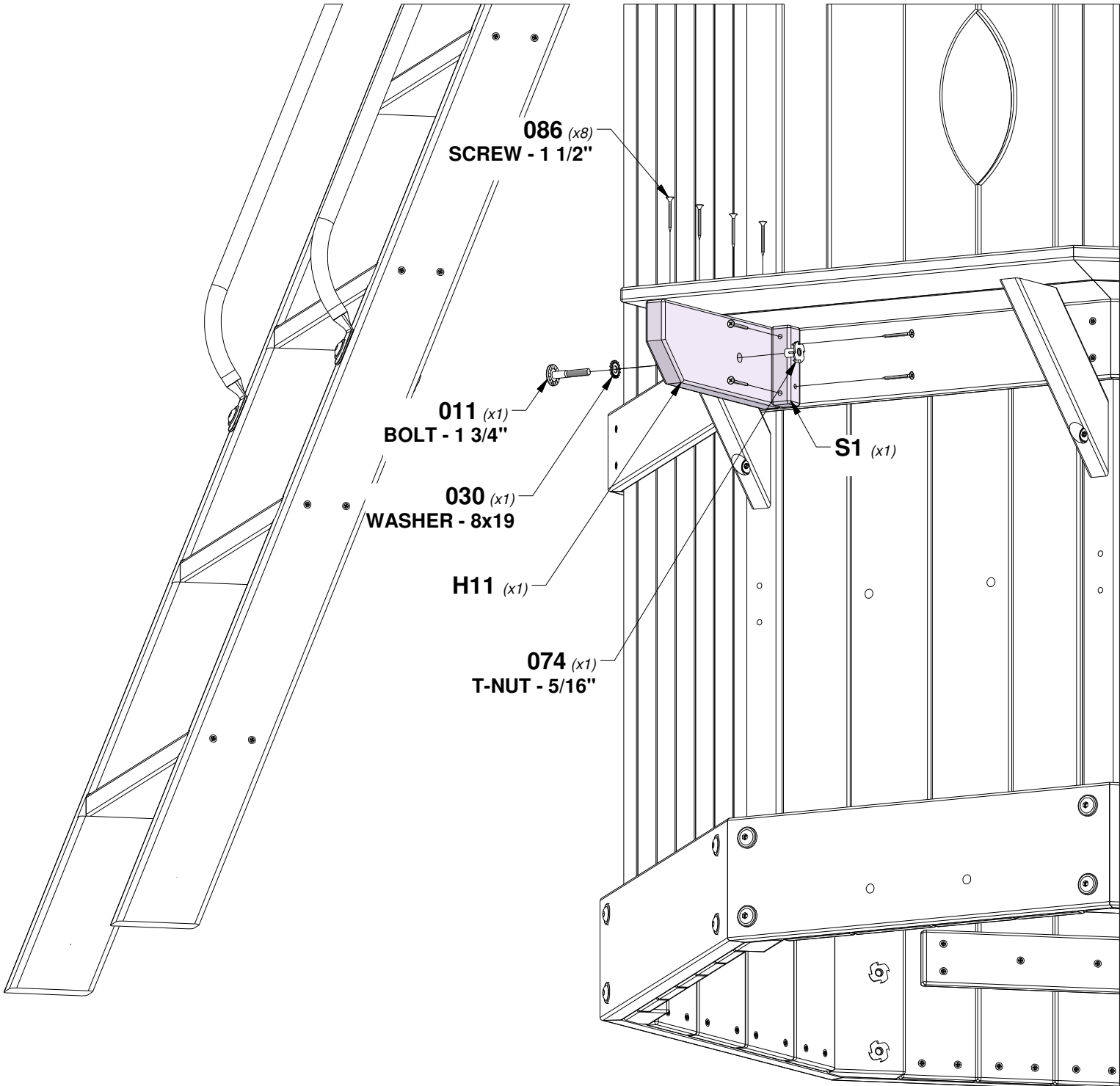
QTY	PART NUMBER	DESCRIPTION
1	H100011	BOLT WH 5/16x1 3/4
1	H100030	WASHER LOCK EXT 8x19
1	H100074	T-NUT 5/16
8	H100086	SCREW PFH 8x1-1/2"

S1 | ATTACHMENT BLOCK - W4L04552
 (x1) | 1"x1"x3 3/8" (24x24x86)



H11 | SHELF SUPPORT - W4L16114
 (x1) | 1"x3 3/8"x9 3/4" (24x86x248)

TIP:
INSTALL T-NUTS IN WOOD FIRST

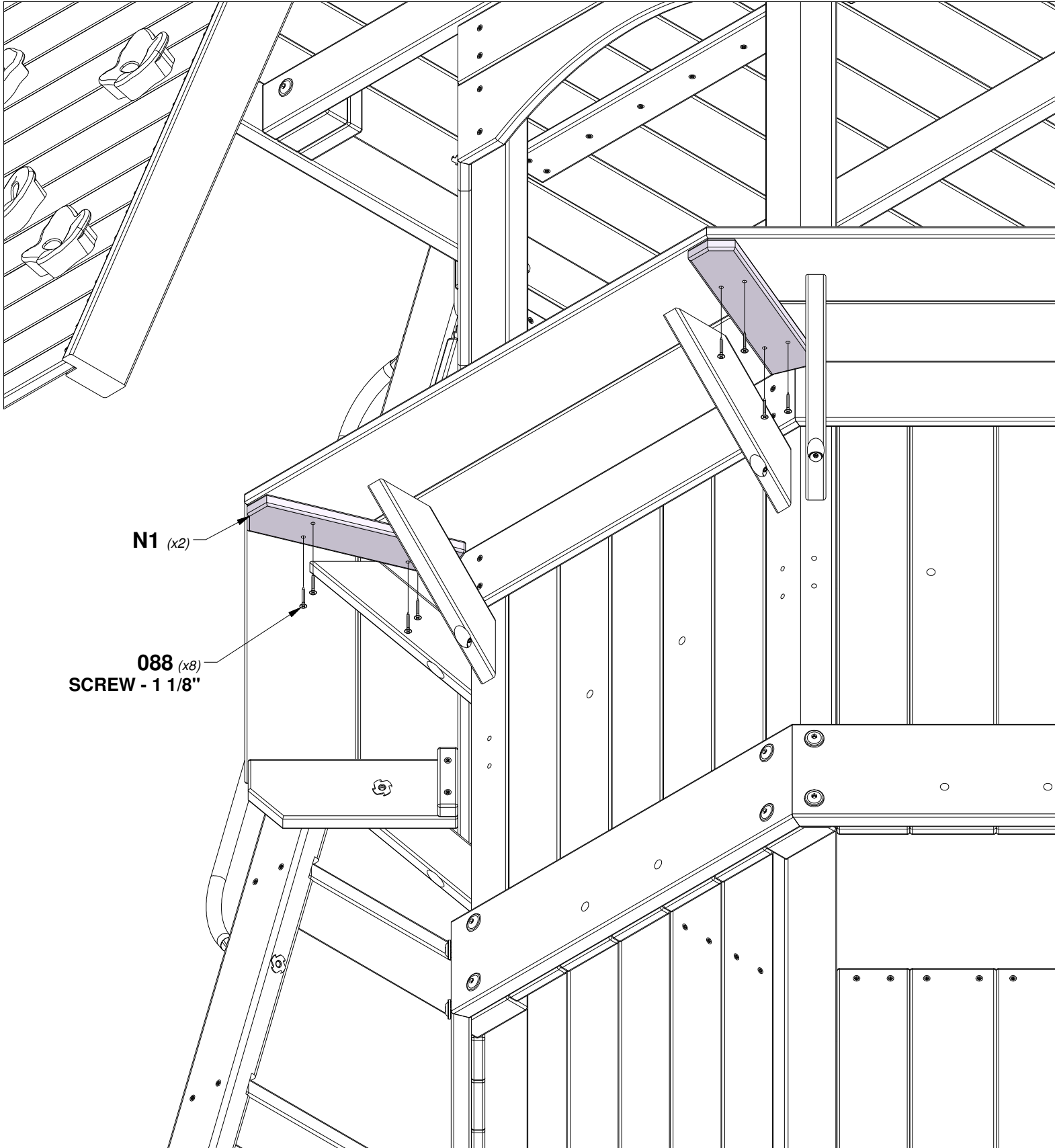


STEP 60 - FORT ASSEMBLY

QTY	PART NUMBER	DESCRIPTION
8	H100088	SCREW PFH 8x1-1/8"



N1 | SHELF CLEAT - W4L04548
(x2) | 5/8"x2 3/8"x10 1/2" (16x60x268)



STEP 61 - FORT ASSEMBLY

QTY	PART NUMBER	DESCRIPTION
6	H100010	BOLT WH 5/16x1 1/2
12	H100027	LAG SCREW WH 5/16x2
12	H100030	WASHER LOCK EXT 8x19
6	H100074	T-NUT 5/16

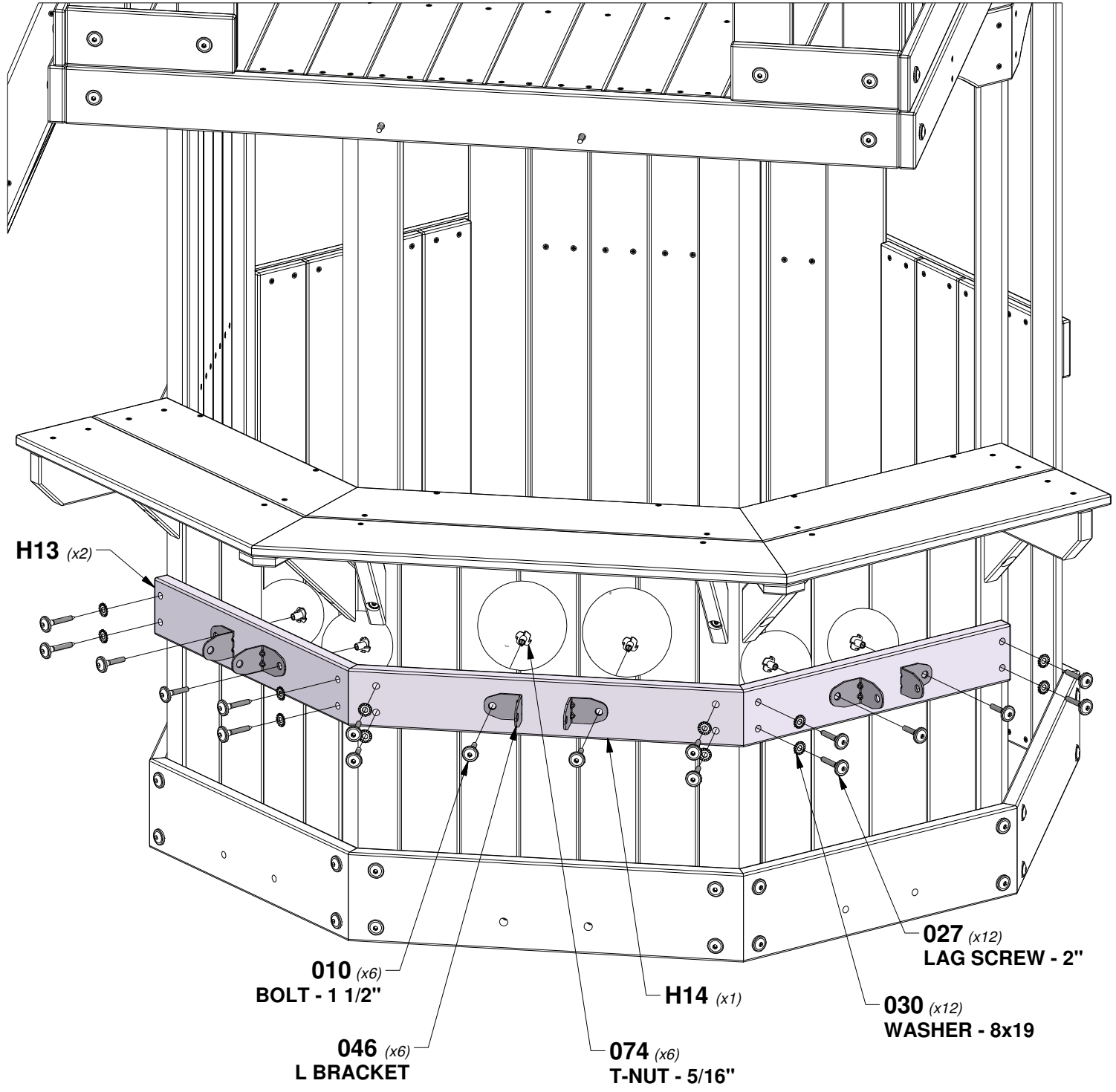
H13 SEAT SUPPORT RAIL - W4L04558
 (x2) 1"x3 3/8"x18 5/8" (24x86x472)



A4M01046 L BRACKET
 (x6) 2.5x38x55x55

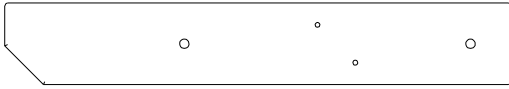
H14 SEAT SUPPORT RAIL CENTER - W4L04559
 (x1) 1"x3 3/8"x22" (24x86x570)

TIP:
 INSTALL T-NUTS IN WOOD FIRST



STEP 62 - FORT ASSEMBLY

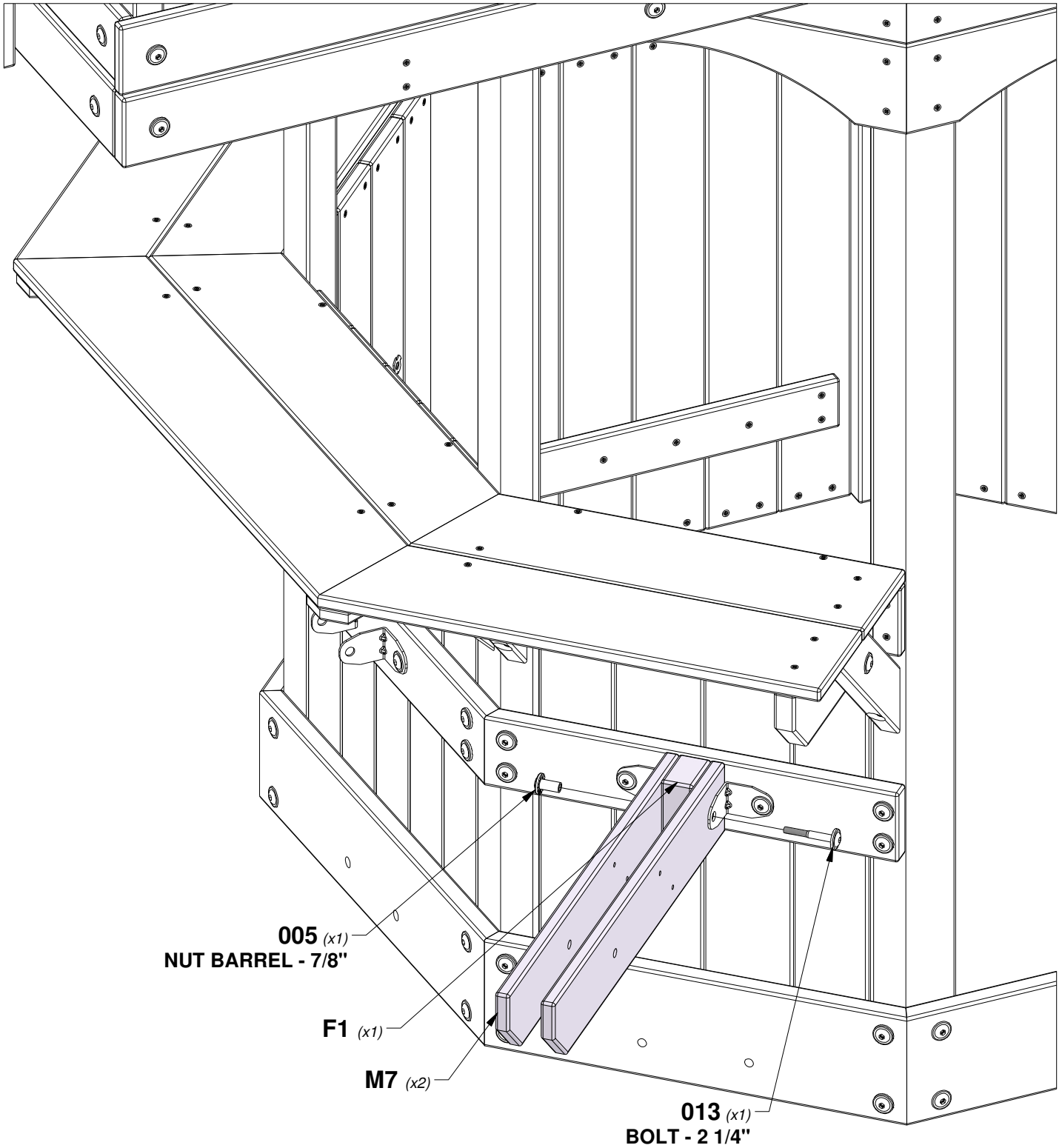
QTY	PART NUMBER	DESCRIPTION
1	H100005	NUT BARREL WH 5/16x7/8
1	H100013	BOLT WH 5/16x2 1/4



M7 | SEAT RAIL - W4L16101
(x2) | 5/8"x3 3/8"x21 1/8" (16x86x536)



F1 | MOUNTING BLOCK - W4L16100
(x1) | 1 3/8"x2 3/8"x3 3/8" (36x60x86)

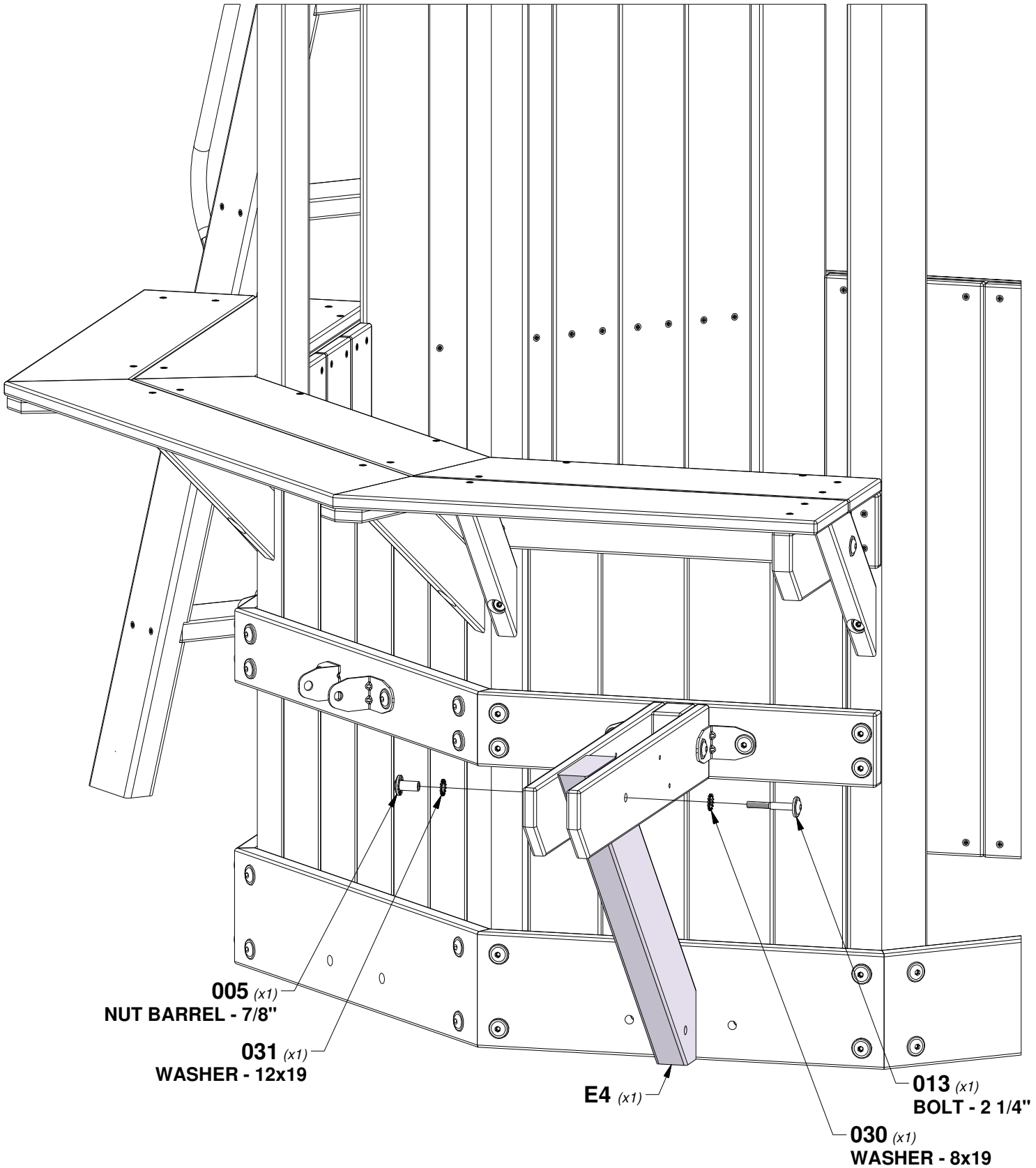


STEP 63 - FORT ASSEMBLY



E4 SEAT BRACE - W4L16102
 (x1) 1 3/8"x3 3/8"x24" (36x86x609)

QTY	PART NUMBER	DESCRIPTION
1	H100005	NUT BARREL WH 5/16x7/8
1	H100013	BOLT WH 5/16x2 1/4
1	H100030	WASHER LOCK EXT 8x19
1	H100031	WASHER LOCK EXT 12x19



005 (x1)
 NUT BARREL - 7/8"

031 (x1)
 WASHER - 12x19

E4 (x1)

013 (x1)
 BOLT - 2 1/4"

030 (x1)
 WASHER - 8x19

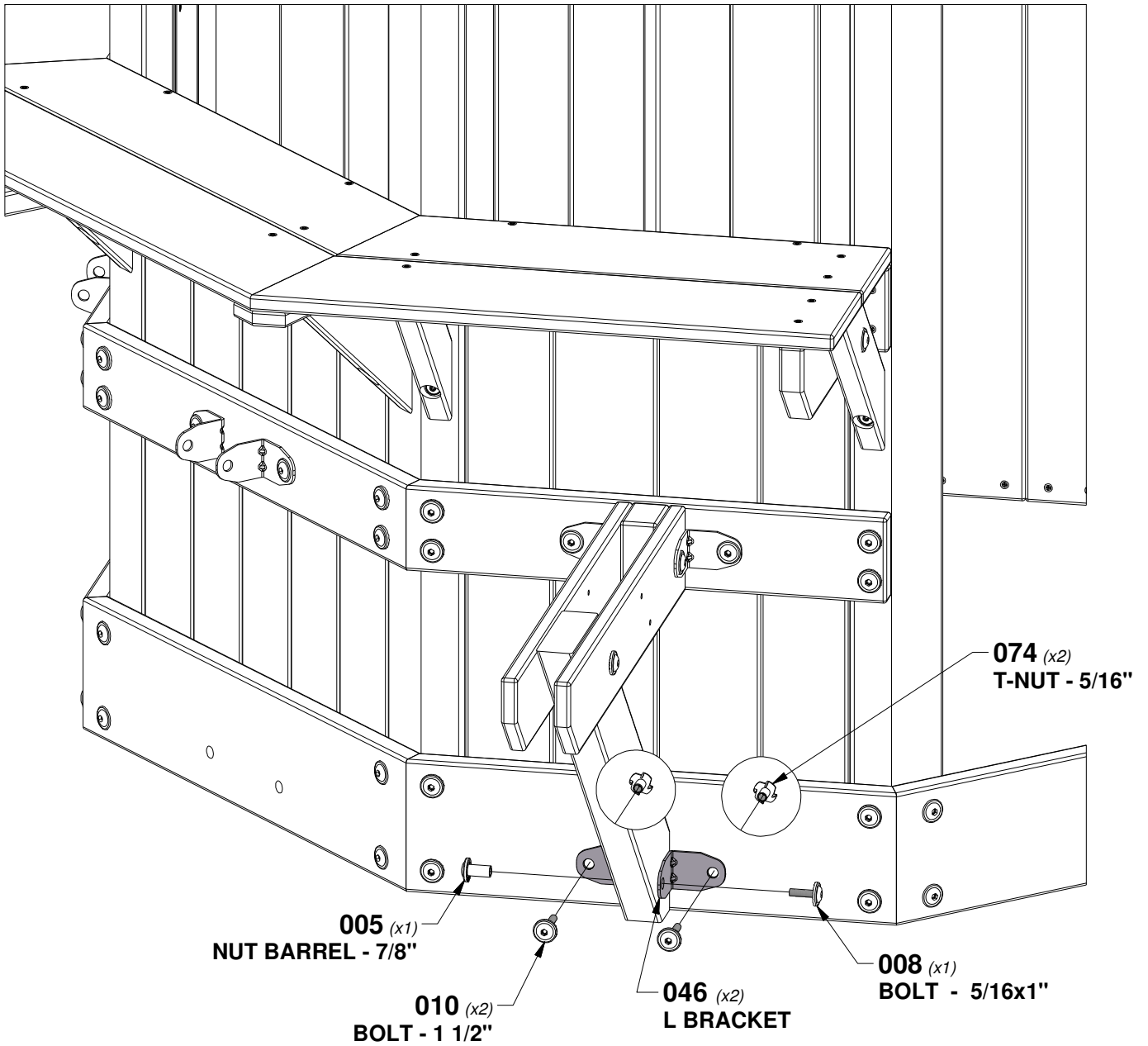
STEP 64 - FORT ASSEMBLY

QTY	PART NUMBER	DESCRIPTION
1	H100005	NUT BARREL WH 5/16x7/8
1	H100008	BOLT WH 5/16x1
2	H100010	BOLT WH 5/16x1 1/2
2	H100074	T-NUT 5/16



A4M01046 | L BRACKET
(x2) | 2.5x38x55x55

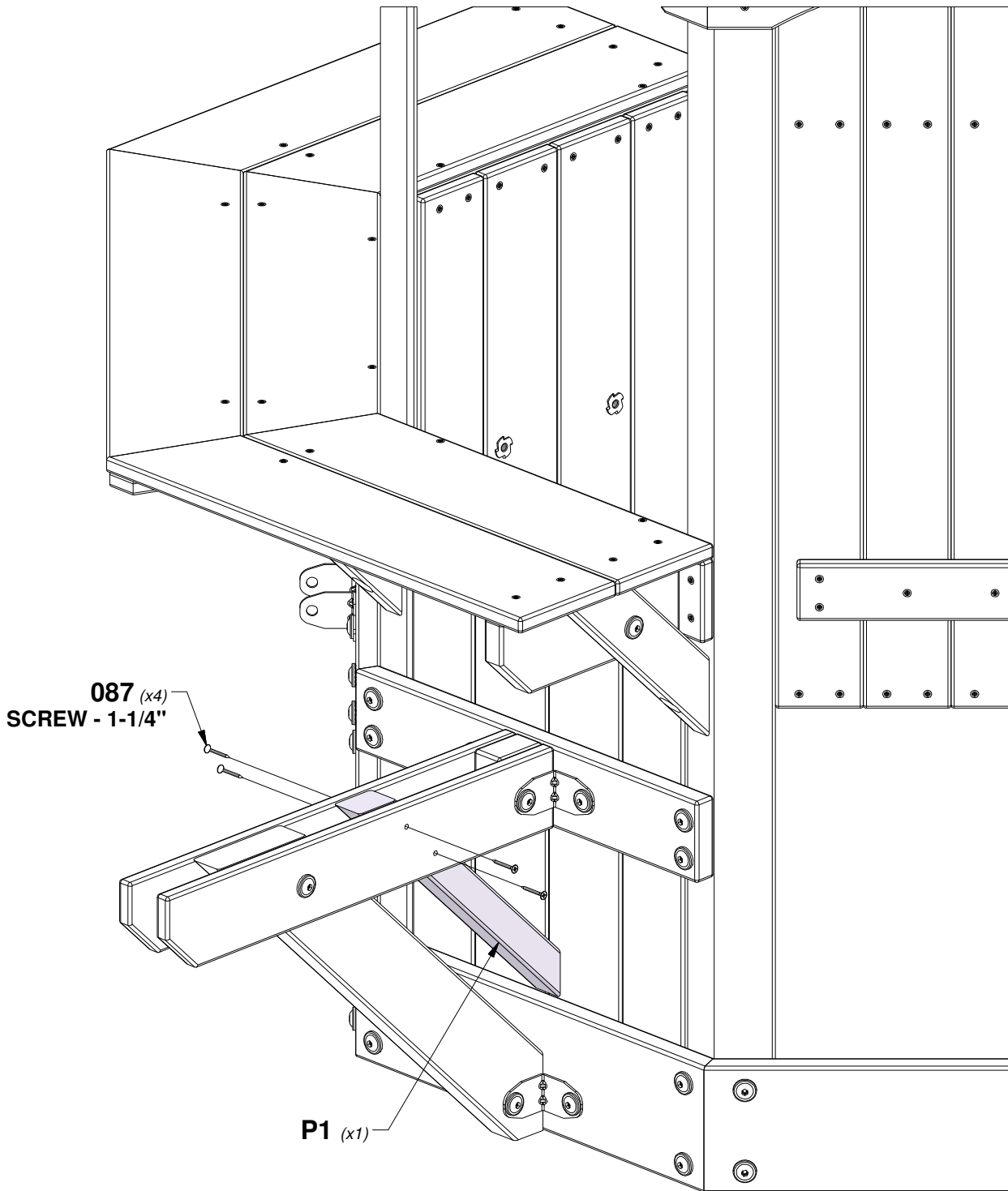
TIP:
INSTALL T-NUTS IN WOOD FIRST



STEP 65 - FORT ASSEMBLY

QTY	PART NUMBER	DESCRIPTION
4	H100087	SCREW PFH 8x1-1/4"

P1 SAFETY BRACE - W4L04499
(x1) 1 3/8"x1 3/8"x15 1/2" (36x36x393)

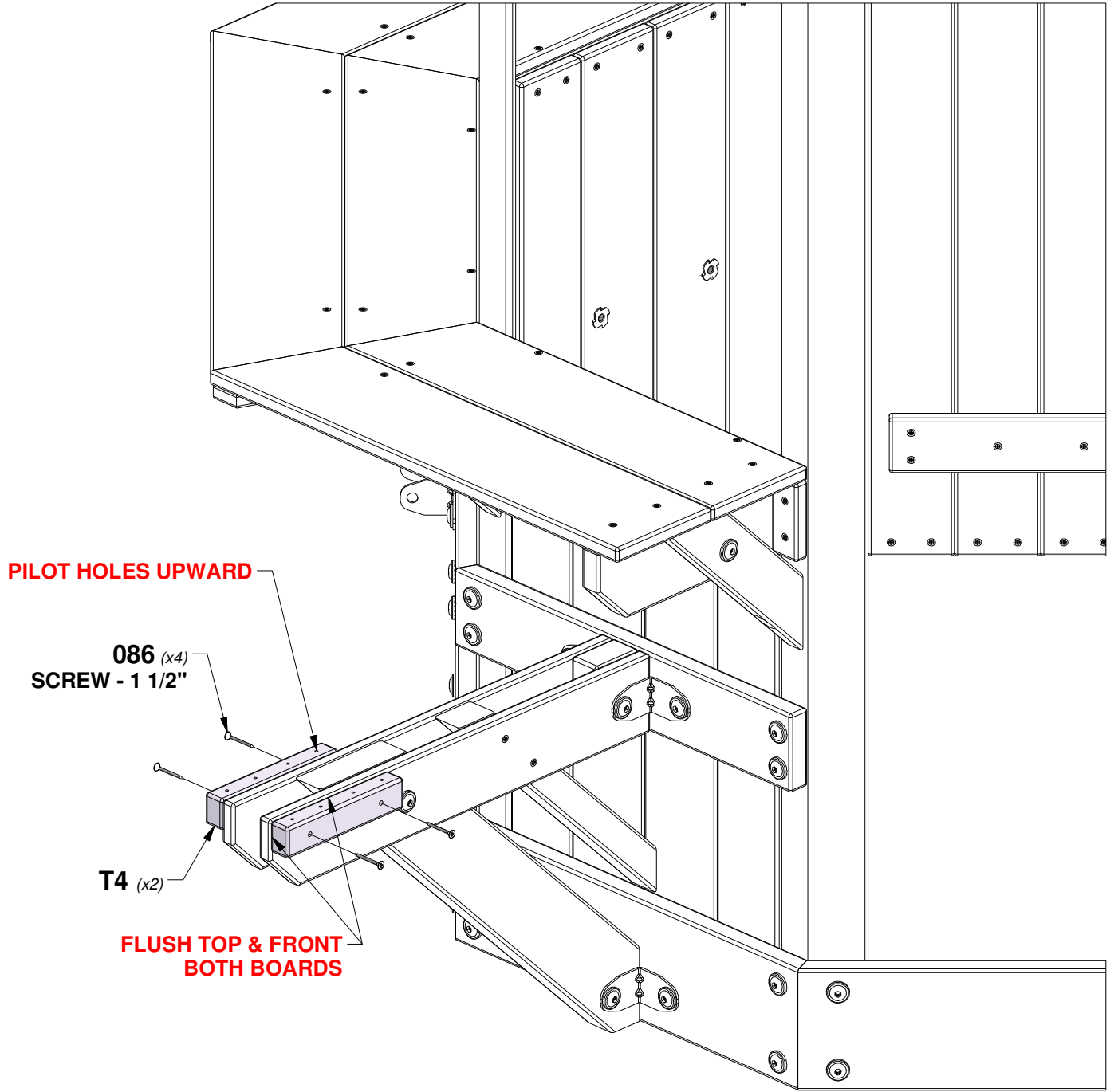


STEP 66 - FORT ASSEMBLY

QTY	PART NUMBER	DESCRIPTION
4	H100086	SCREW PFH 8x1-1/2"

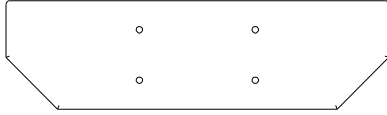


T4 SEAT CLEAT - W4L04543
(x2) 1"x1 3/8"x6 1/2" (24x34x164)

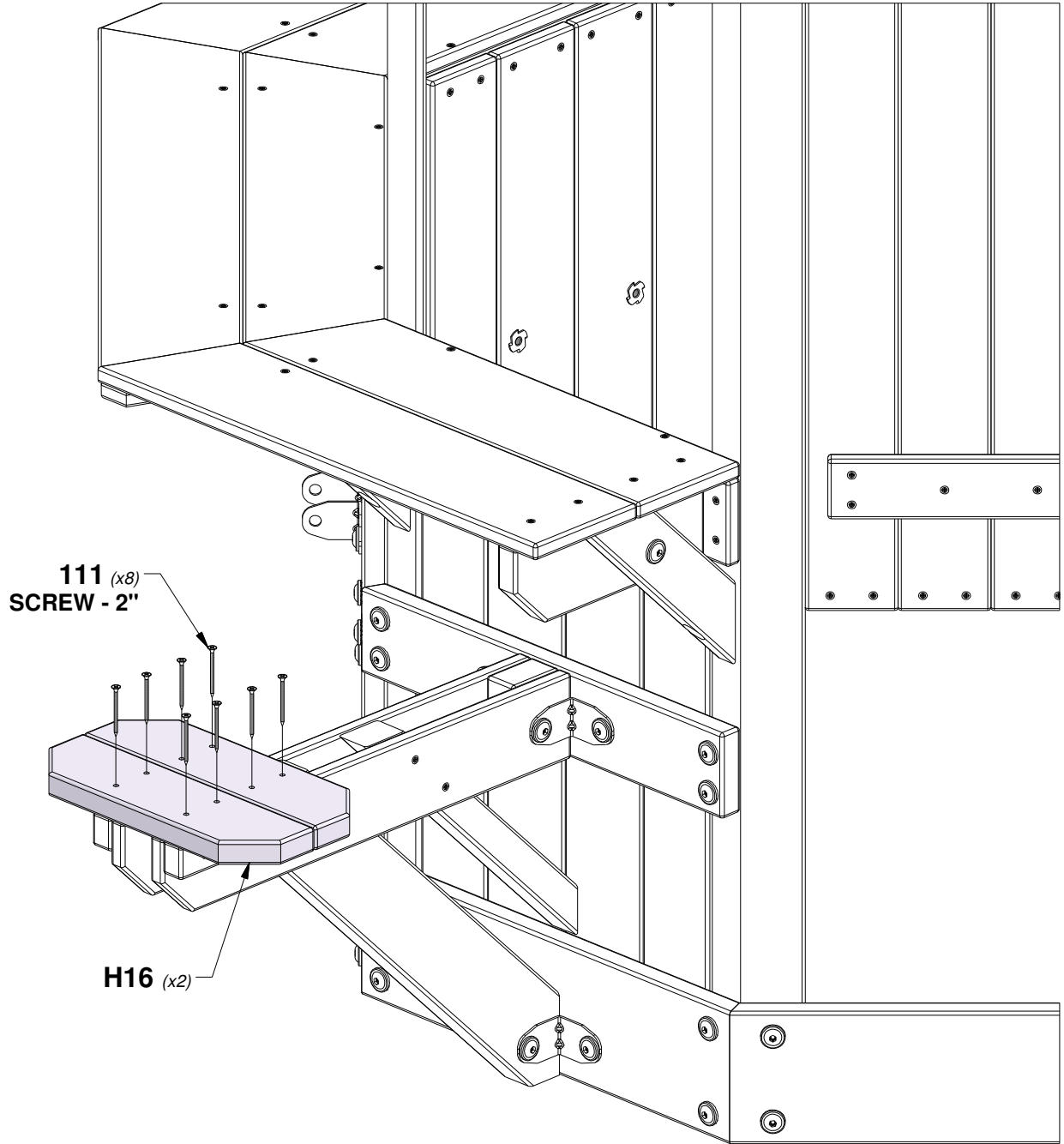


STEP 67 - FORT ASSEMBLY

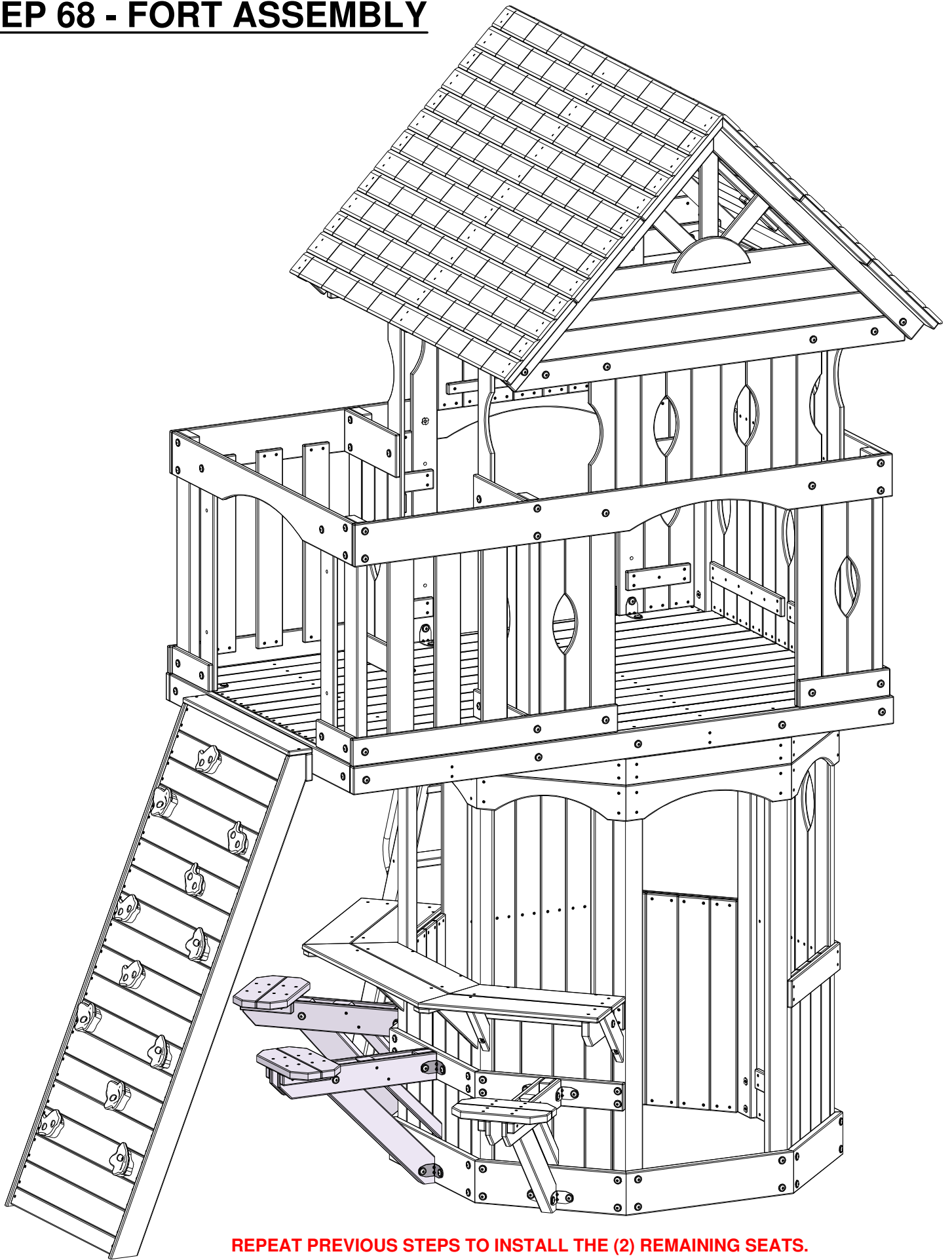
QTY	PART NUMBER	DESCRIPTION
8	H100111	SCREW PFH 8x2



H16 SEAT - W4L16103
(x2) 1"x3 3/8"x12" (24x86x304)



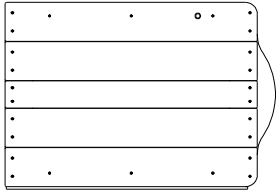
STEP 68 - FORT ASSEMBLY



REPEAT PREVIOUS STEPS TO INSTALL THE (2) REMAINING SEATS.

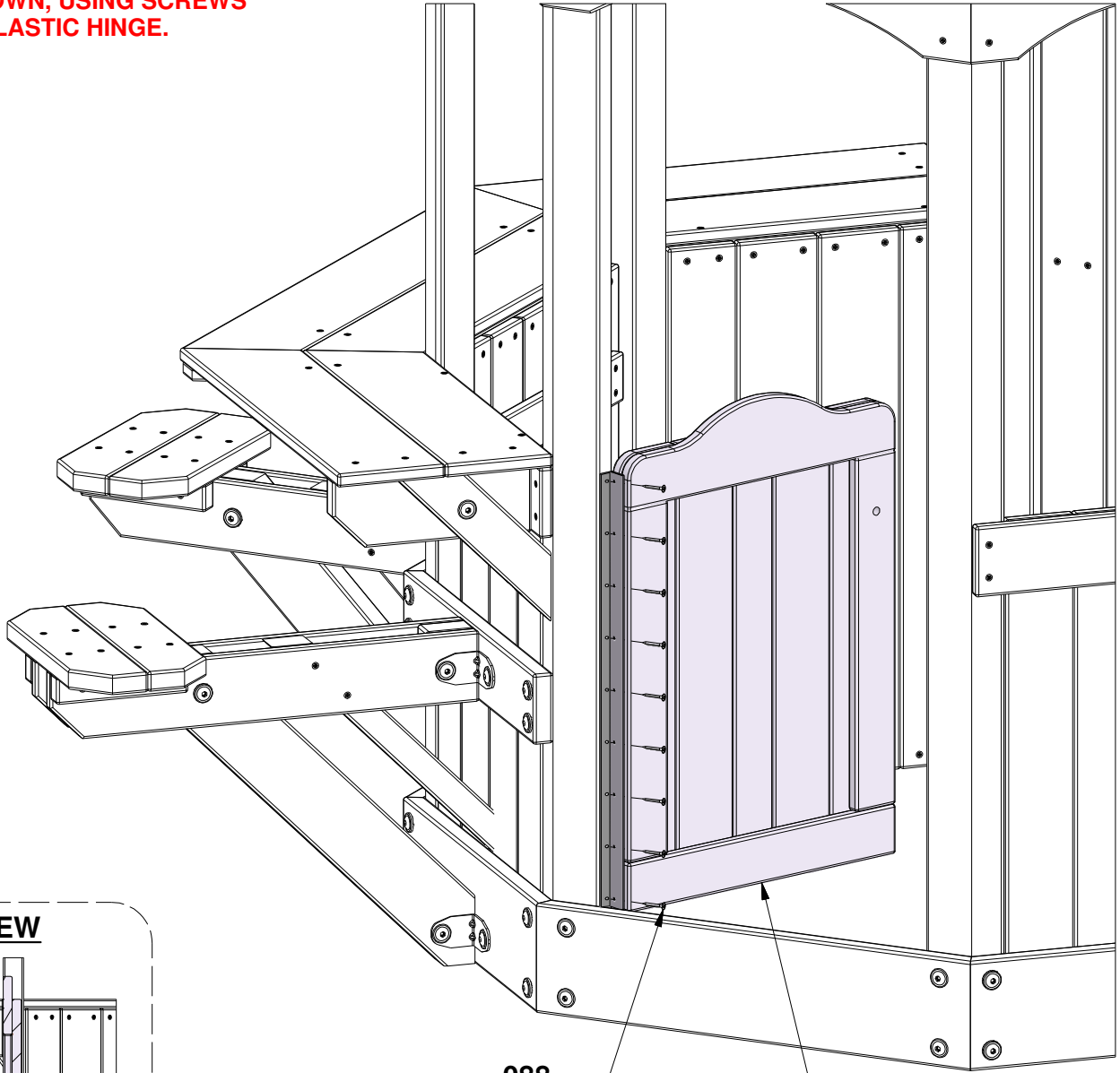
STEP 69 - FORT ASSEMBLY

QTY	PART NUMBER	DESCRIPTION
9	H100088	SCREW PFH 8x1-1/8"



DR1 | DOOR PANEL - W2A01482
(x1) | 1 1/4"x16"x23 1/2" (32x406x596)

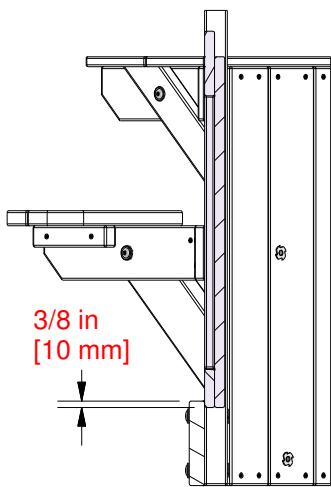
ATTACH DOOR AS SHOWN, USING SCREWS THROUGH HOLES IN PLASTIC HINGE.



088 (x9)
SCREW - 1 1/8"

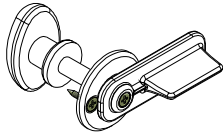
DR1 (x1)

SIDE VIEW

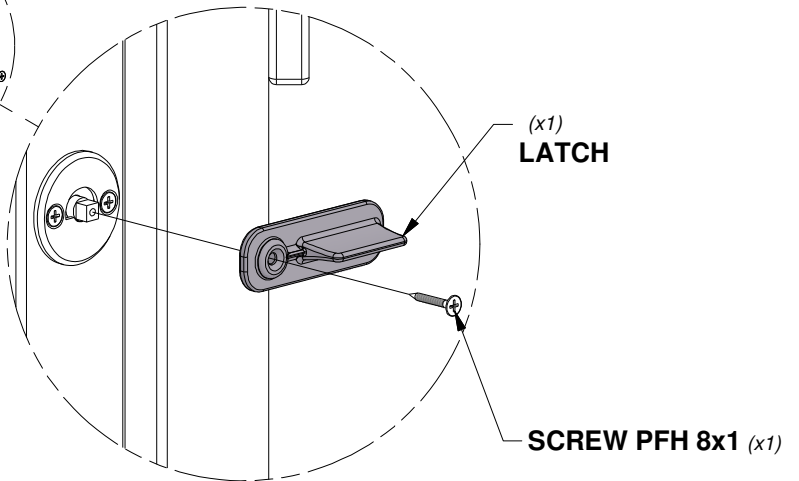
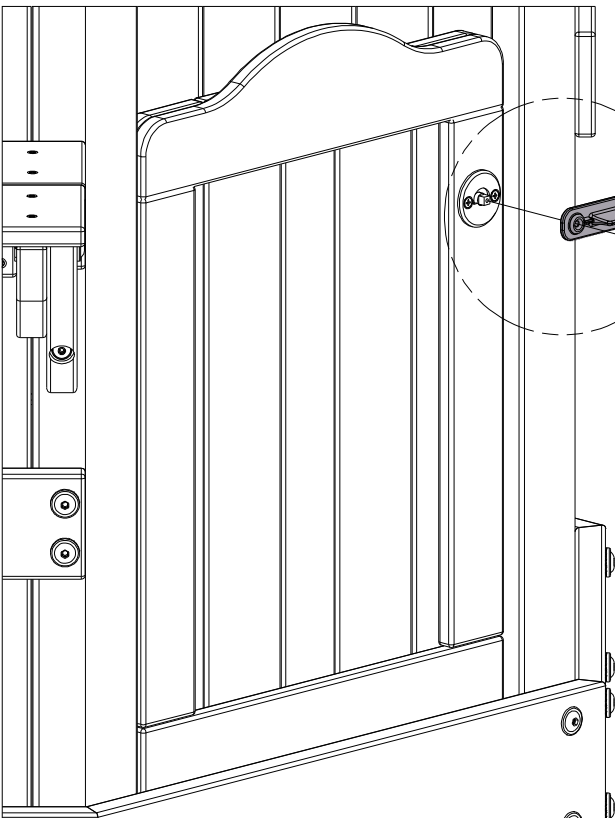
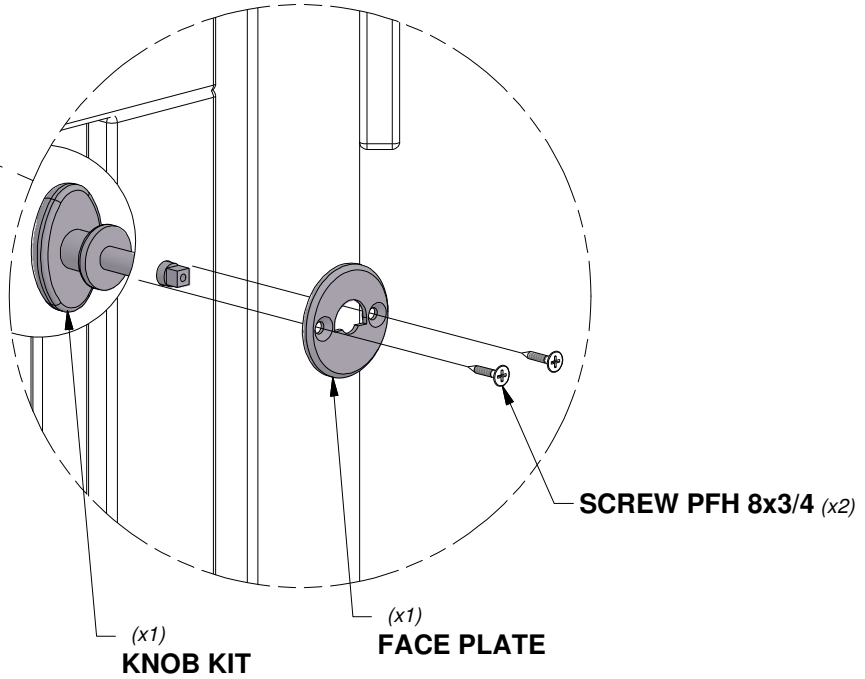
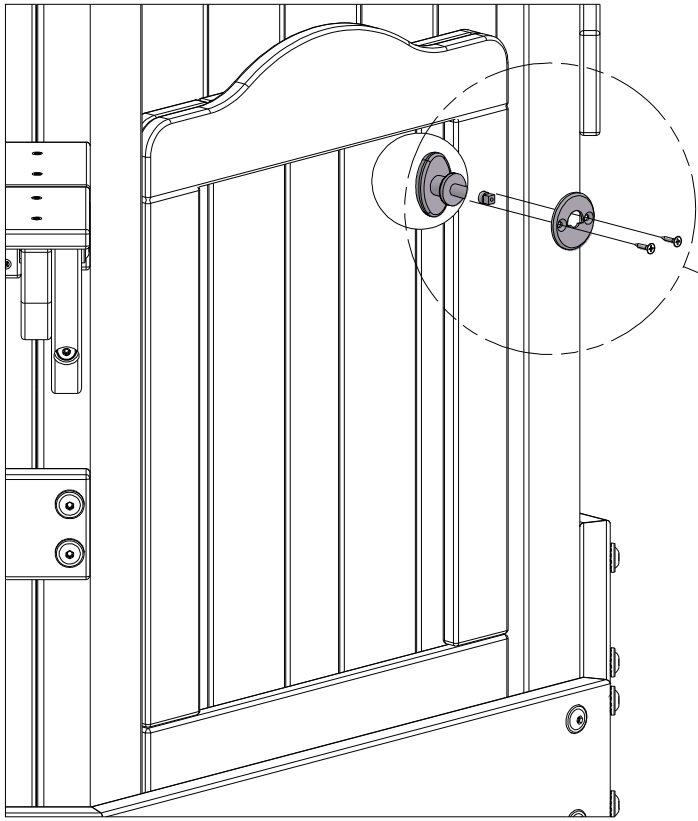


3/8 in
[10 mm]

STEP 70 - FORT ASSEMBLY

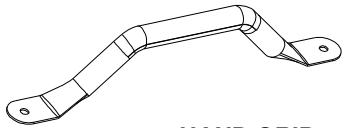


HARDWARE IS INCLUDED WITH KNOB KIT



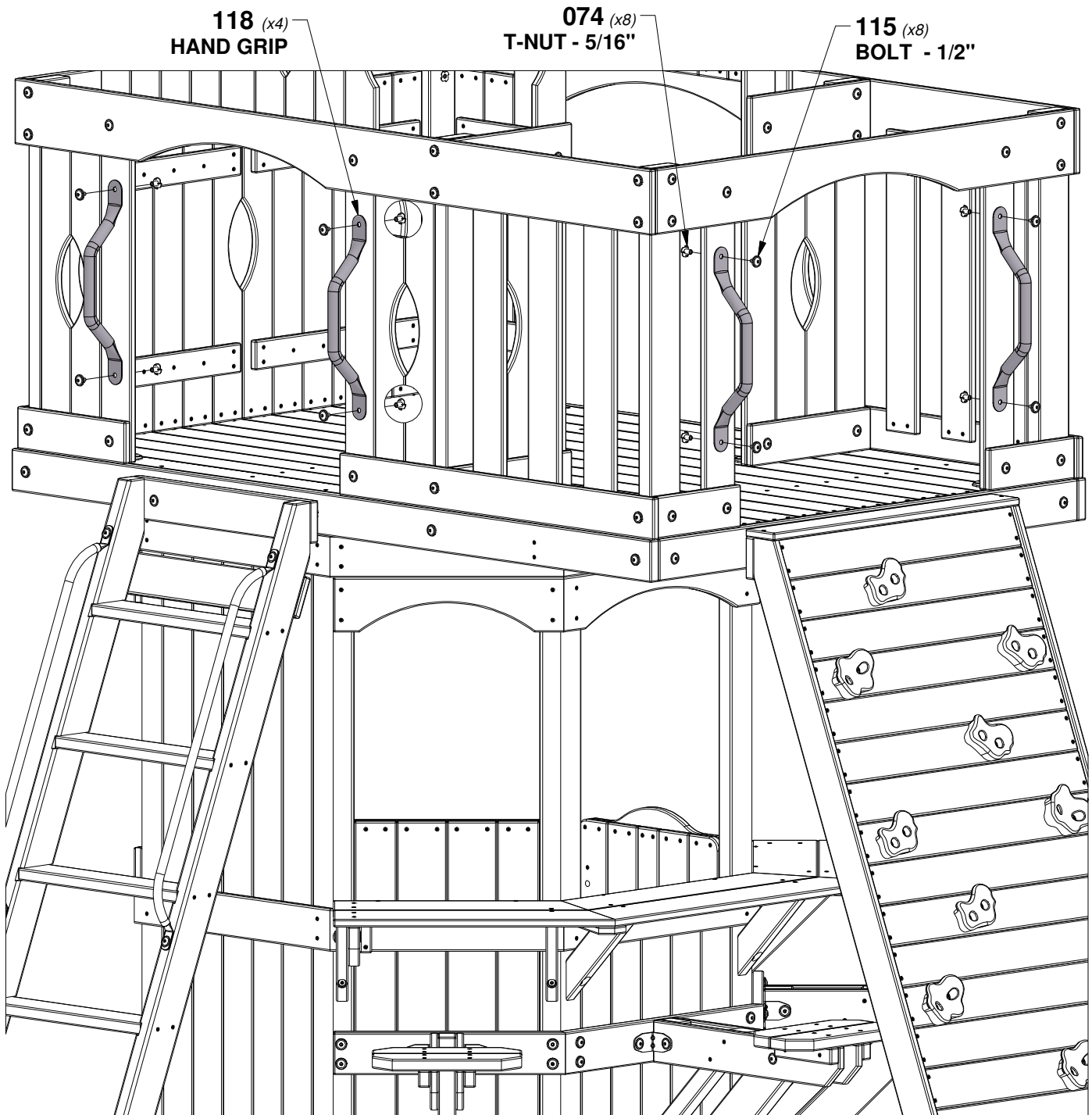
STEP 71 - FORT ASSEMBLY

QTY	PART NUMBER	DESCRIPTION
8	H100074	T-NUT 5/16
8	H100115	BOLT WH 5/16x1/2



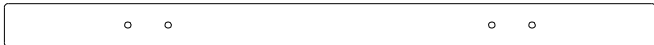
A100118 | **HAND GRIP**
(x4) | **METAL GREEN**
381 c/c

TIP:
INSTALL T-NUTS IN WOOD FIRST

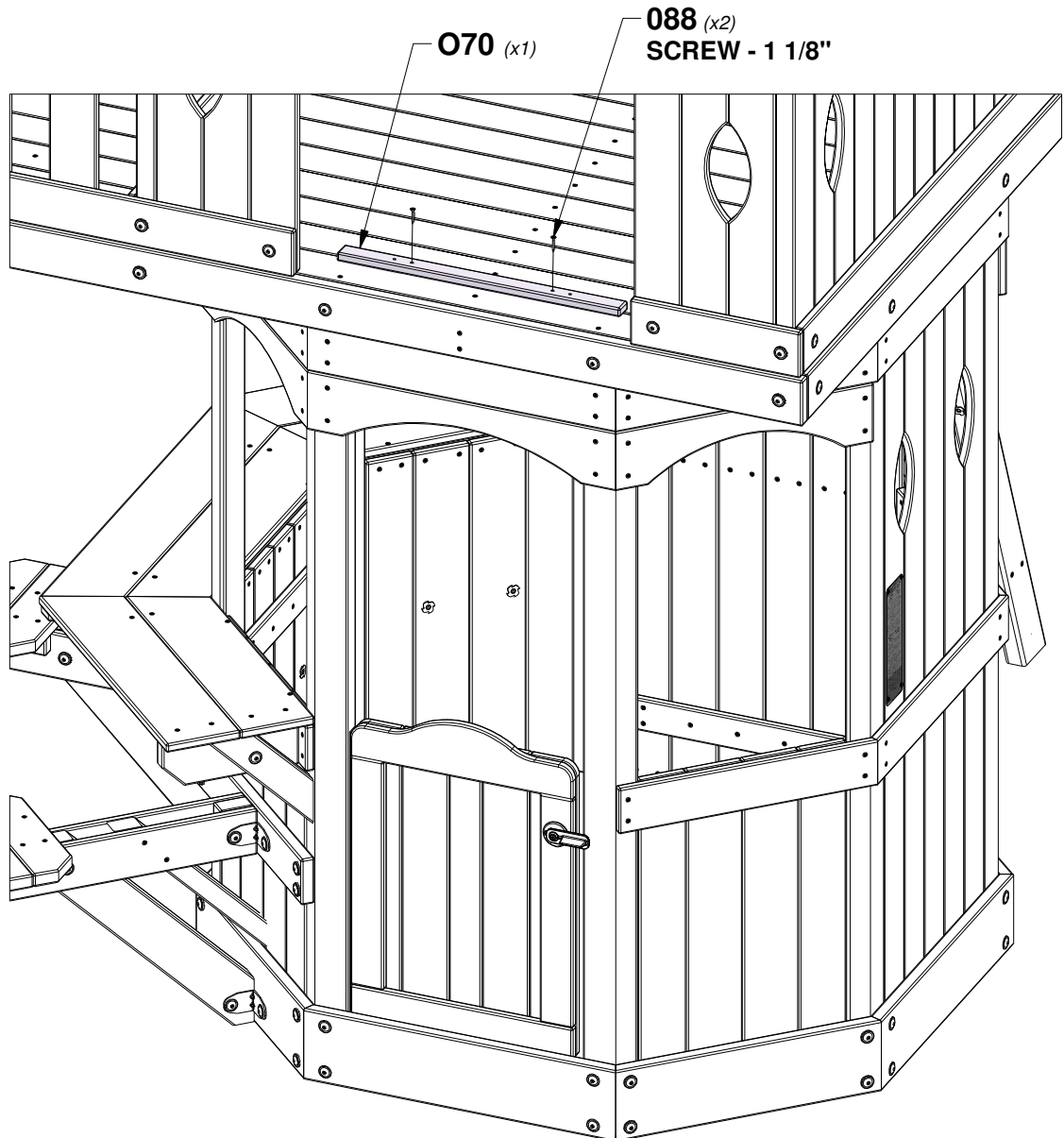
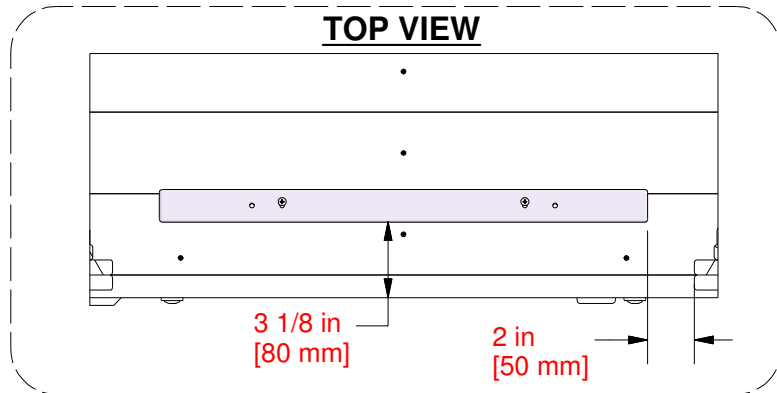


STEP 72 - FORT ASSEMBLY

QTY	PART NUMBER	DESCRIPTION
2	H100088	SCREW PFH 8x1-1/8"

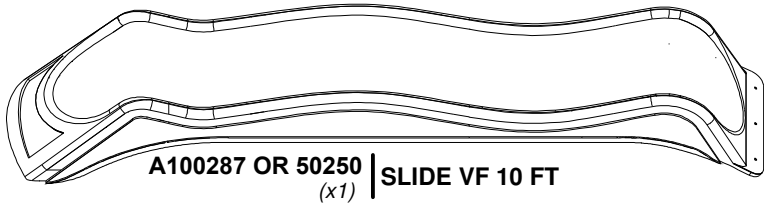


O70 | SLIDE MOUNTING BOARD - W102822
(x1) | 5/8"x1 3/8"x20 3/8" (16x34x517)

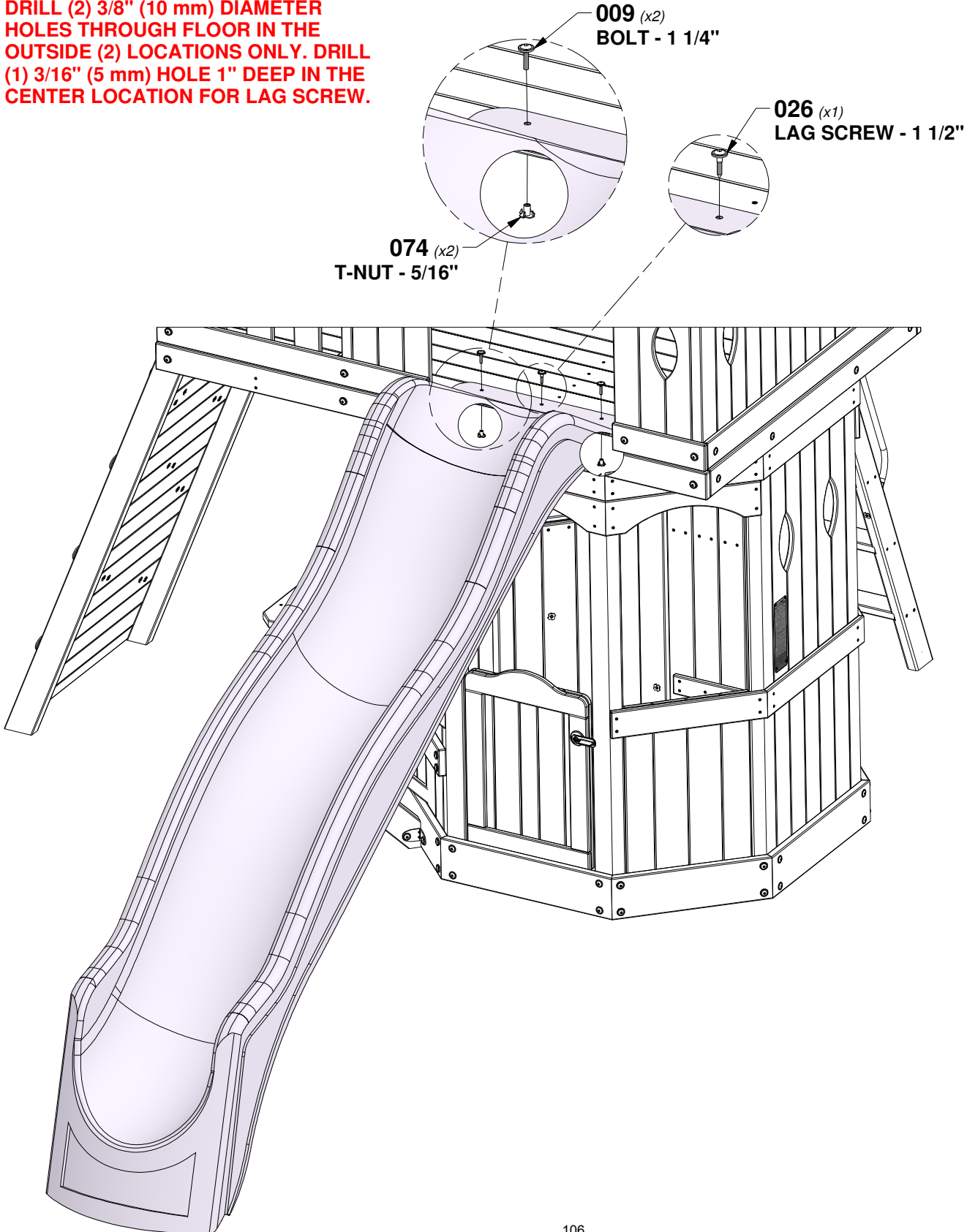


STEP 73 - FORT ASSEMBLY

QTY	PART NUMBER	DESCRIPTION
2	H100009	BOLT WH 5/16x1 1/4
1	H100026	LAG SCREW WH 5/16x1 1/2
2	H100074	T-NUT 5/16

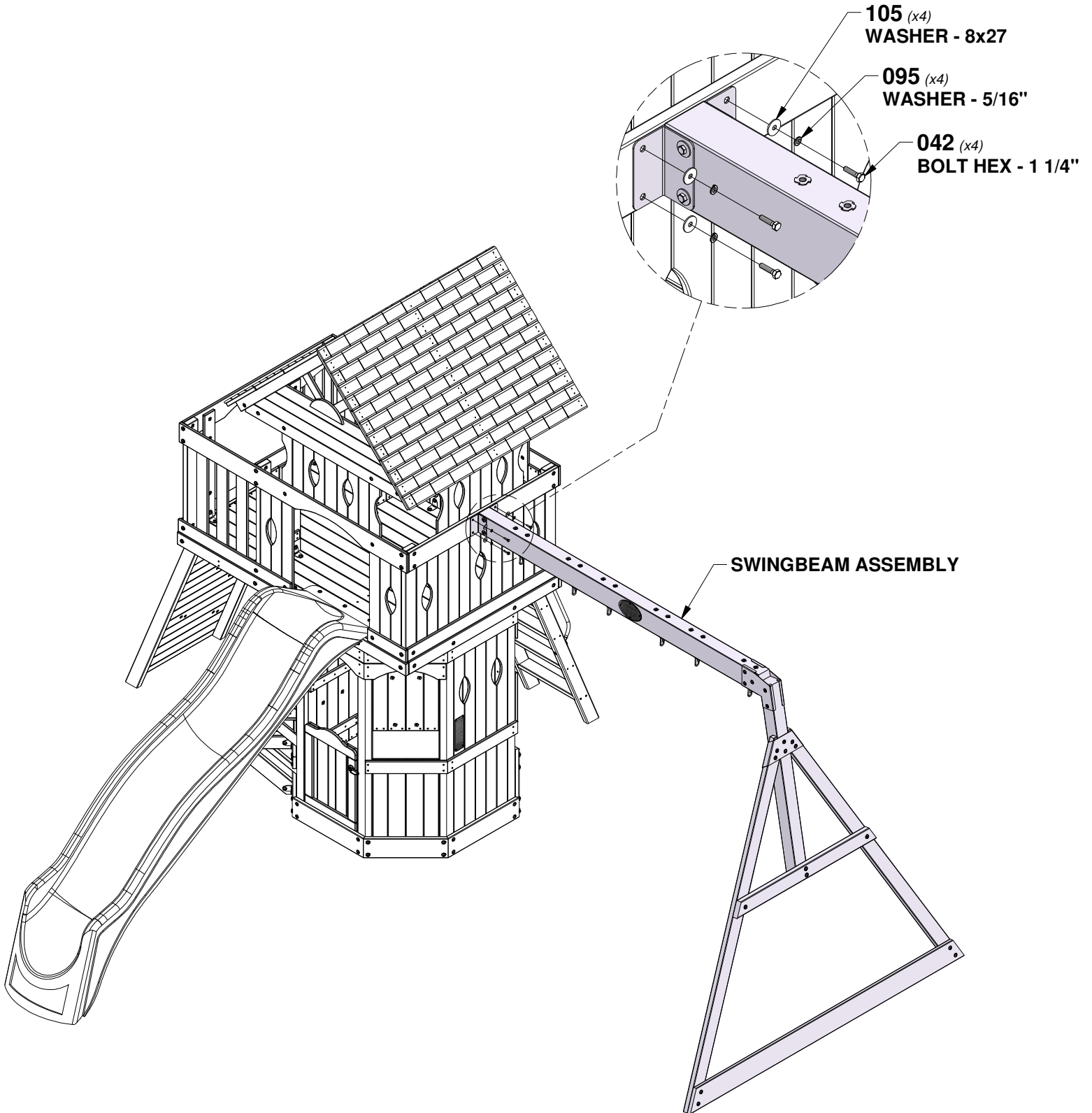
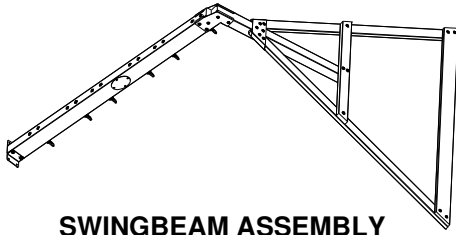


USING SLIDE HOLES AS A GUIDE, DRILL (2) 3/8" (10 mm) DIAMETER HOLES THROUGH FLOOR IN THE OUTSIDE (2) LOCATIONS ONLY. DRILL (1) 3/16" (5 mm) HOLE 1" DEEP IN THE CENTER LOCATION FOR LAG SCREW.



STEP 74 - FORT ASSEMBLY

QTY	PART NUMBER	DESCRIPTION
4	H100042	BOLT HEX 5/16x1 1/4
4	H100095	WASHER SPLIT 5/16
4	H100105	WASHER FLAT 8x27

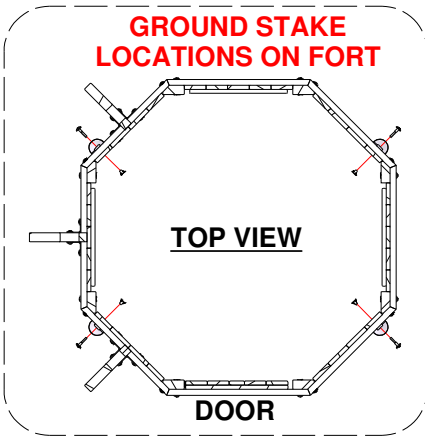


STEP 75 - FORT ASSEMBLY

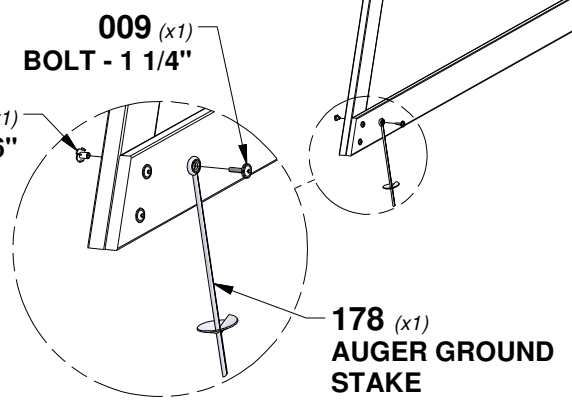
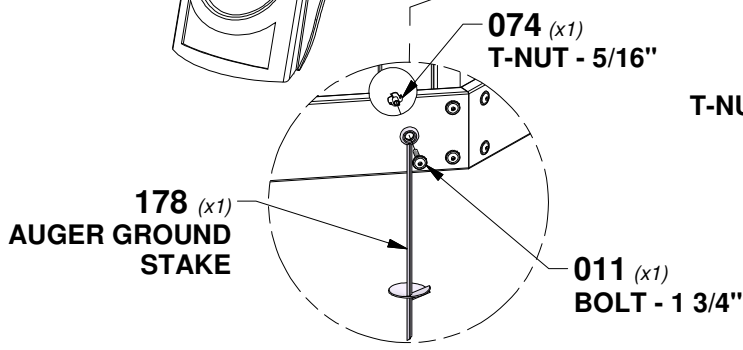
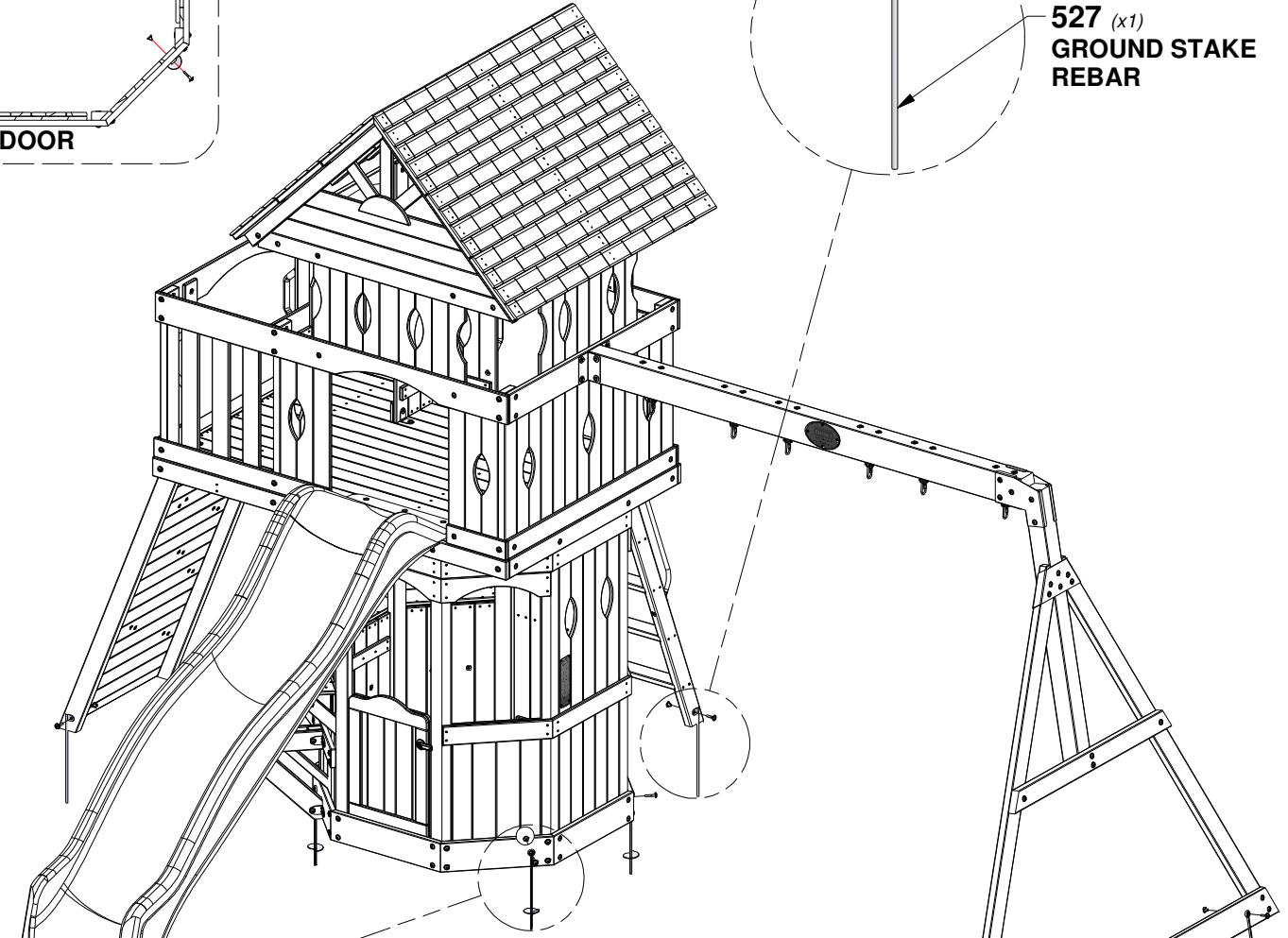
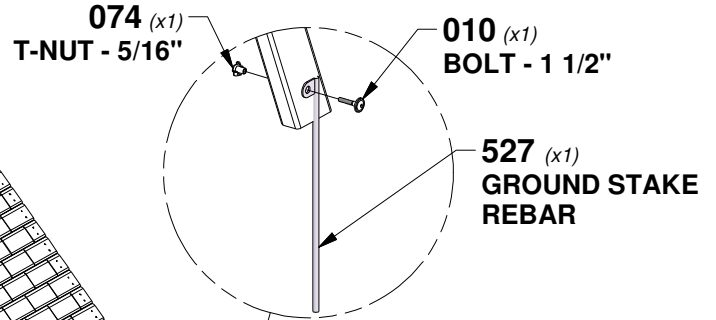
QTY	PART NUMBER	DESCRIPTION
2	H100009	BOLT WH 5/16x1 1/4
2	H100010	BOLT WH 5/16x1 1/2
4	H100011	BOLT WH 5/16x1 3/4
8	H100074	T-NUT 5/16



DRIVE GROUND STAKES INTO GROUND IN LOCATIONS SHOWN. USING GROUND STAKE AS A GUIDE, DRILL 3/8" (10 mm) HOLES FOR HARDWARE.



LADDER & ROCK WALL

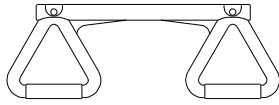


TWIST GROUND STAKES INTO GROUND IN LOCATIONS SHOWN. USING GROUND STAKE AS A GUIDE, DRILL 3/8" (10 mm) HOLES FOR HARDWARE.

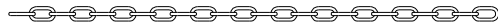
STEP 76 - FORT ASSEMBLY



**A100027 | SWING SEAT
(x2) | GREEN 26"**



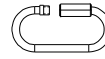
**A6P00034 | TRAPEZE
(x1) | YELLOW**



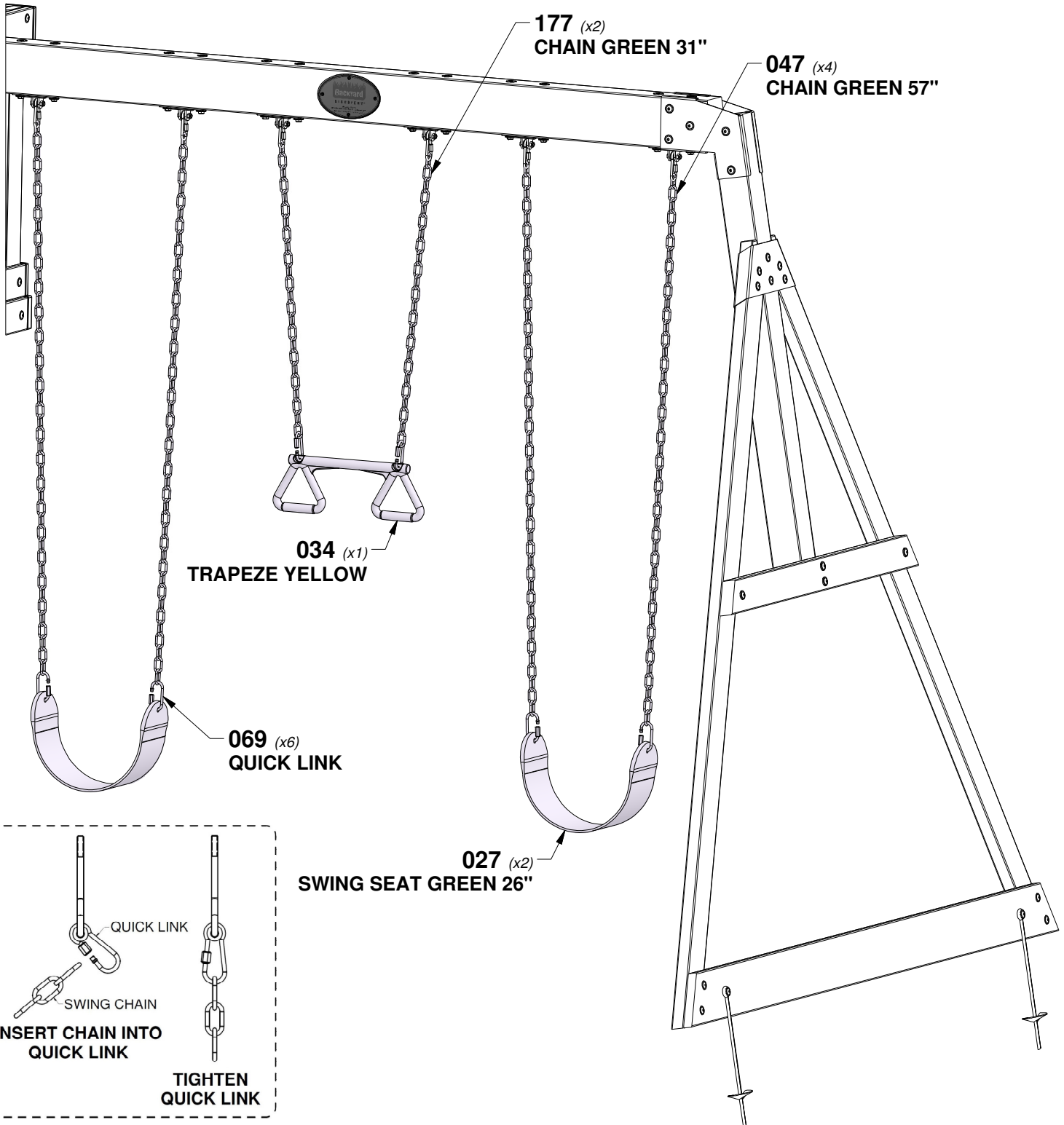
**A100177 | CHAIN GREEN
(x2) | 31"**



**A100047 | CHAIN GREEN
(x4) | 57"**

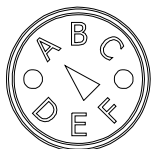


**A100069 | QUICK LINK
(x6)**

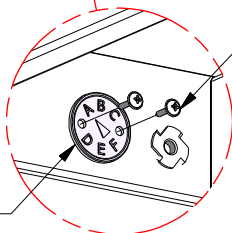
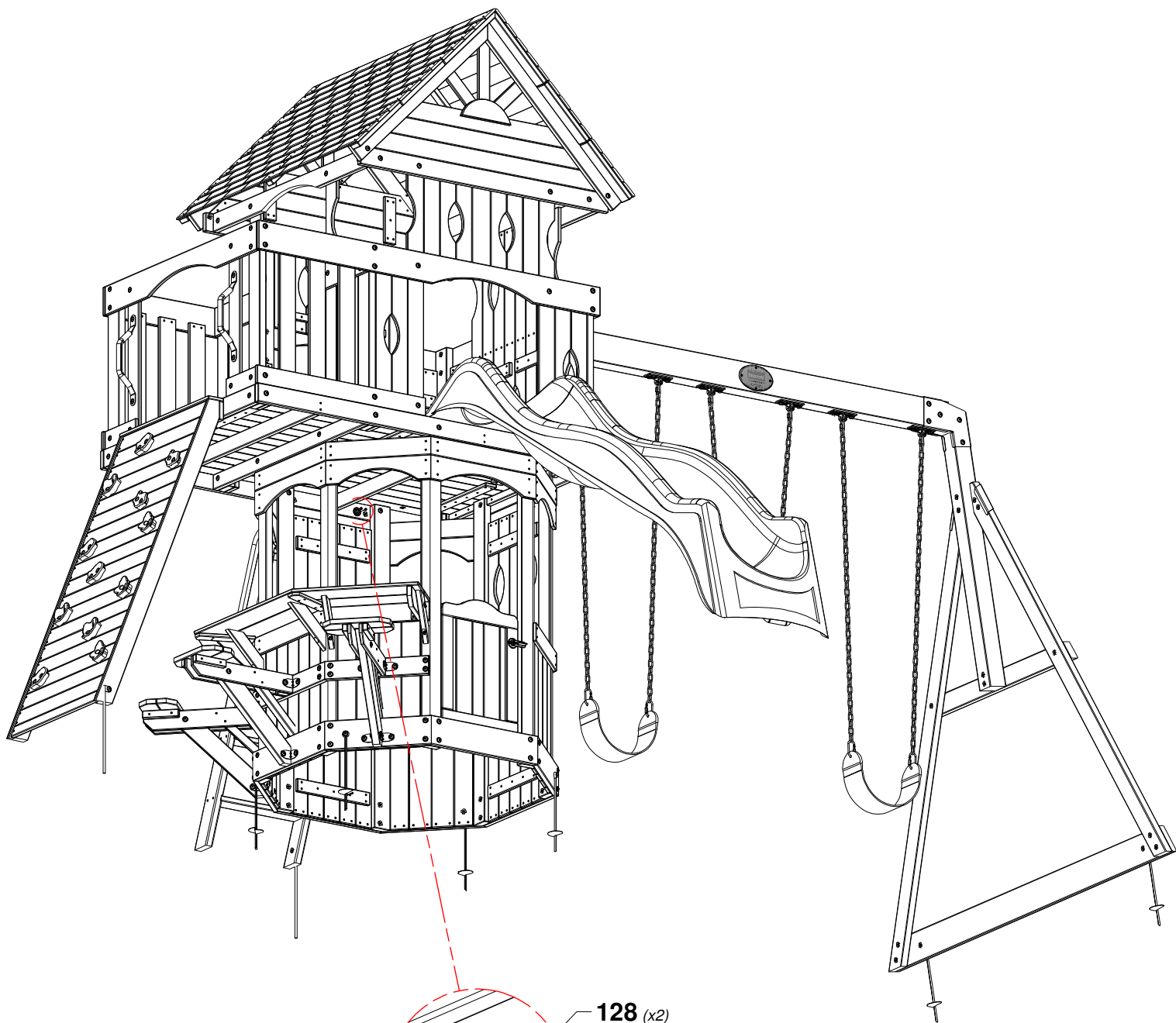


STEP 77 - FORT ASSEMBLY

QTY	PART NUMBER	DESCRIPTION
2	H100128	SCREW PWH 8x5/8



A100314 | "A" REVISION
(x1) TAG



128 (x2)
SCREW - 5/8

314 (x1)
"A" REVISION TAG