



Manufactured by:  
Backyard Discovery  
3305 Airport Drive, Pittsburg, KS 66762  
800-856-4445

Basepoint Business Centre: Rivermead Drive, Westlea, Swindon SN5 7EX Phone: 0800-118-2476  
J.P. Coenstraat 7, The Bridge, The Hague, 2595 WP, Netherlands Phone: 08005678990

# 12x 10' PERGOLA

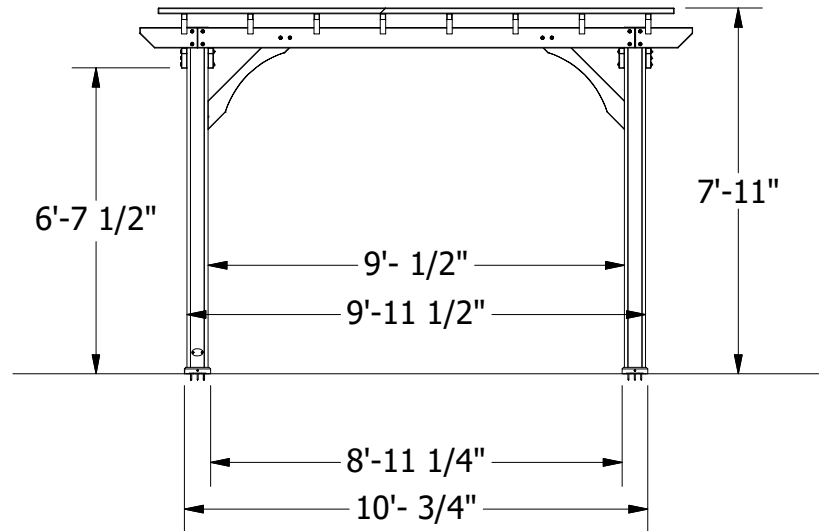
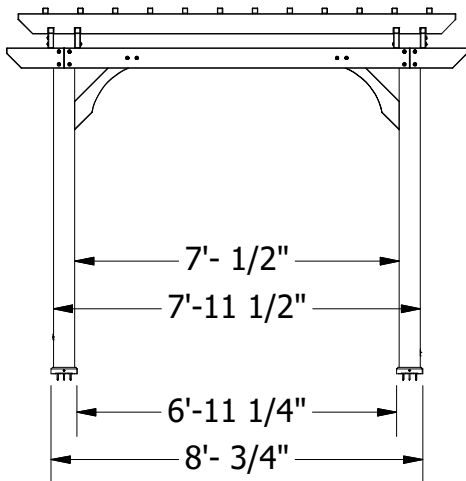
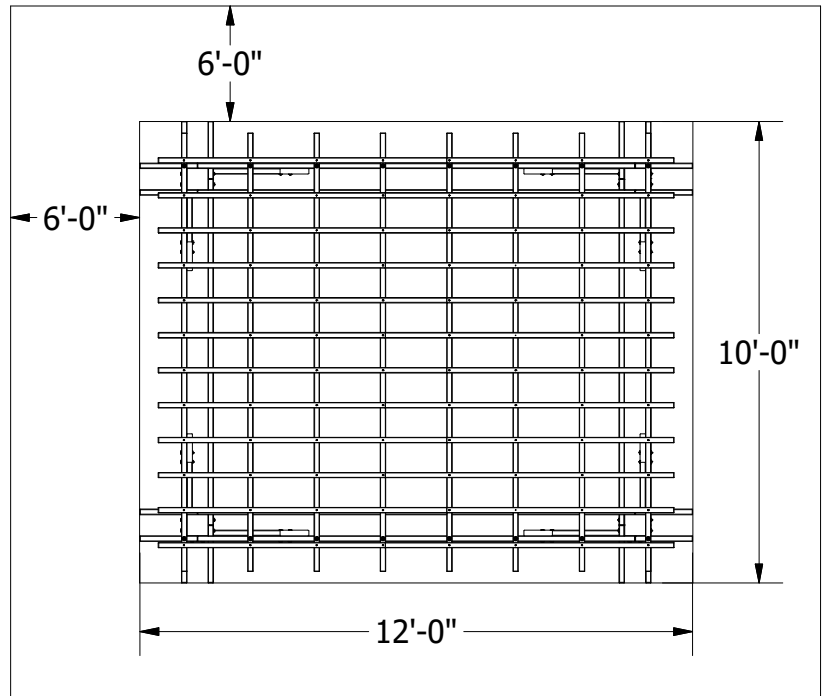
## MODEL # : 6214



Please visit [www.backyarddiscovery.com](http://www.backyarddiscovery.com)  
For the most up to date assembly manual, to register your product, or to order  
replacement parts *Para obtener instrucciones en español, visite*  
[www.backyarddiscovery.com](http://www.backyarddiscovery.com)

# Basic Setup Dimensions

Place the set on level ground, concrete or grass. Backyard Discovery recommends at least 6 ft [2 m] from any structure or obstruction such as a fence, garage, house, overhanging branches, laundry lines, or electrical wires.



## Important Assembly Notes

- 1) While assembling unit, take time before and after each phase to make sure pergola is square and level. If pergola is not square and level, assembly will be difficult and improper assembly may result. Extra care must be taken to insure the pergola is square and level.
- 2) Tighten bolts securely.
- 3) Pay close attention to the **ITEMS NEEDED FOR EACH PHASE**. They can be a valuable aid when sorting your wood and hardware. Assembly will be made easier if items are sorted by step.
- 4) Pay close attention to make sure you are using the correct hardware in the correct steps. Using incorrect hardware may result in improper assembly.
- 5) Read each step thoroughly. The written steps may include important information not shown in the illustrations.

# Parts Identification

## Wood Components

(NOT TO SCALE)



(2) **D1 - JOIST - W4L04585**  
1 3/8"x5 1/4"x114" (36x134x2896)



(2) **D2 - JOIST - W4L04590**  
1 3/8"x5 1/4"x114" (36x134x2896)



(8) **D3 - SLOTTED JOIST - W4L04586**  
1 3/8"x5 1/4"x114" (36x134x2896)



(2) **D4 - JOIST - W4L04587**  
1 3/8"x5 1/4"x90" (36x134x2286)



(2) **D5 - JOIST - W4L04591**  
1 3/8"x5 1/4"x90" (36x134x2286)



(12) **D6 - JOIST END - W4L04588**  
1 3/8"x5 1/4"x15" (36x134x381)



(4) **D7 - JOIST END - W4L04592**  
1 3/8"x5 1/4"x15" (36x134x381)



(4) **D8 - LONG ANGLE BRACE - W4L04593**  
1 3/8"x5 1/4"x37 1/8" (36x134x942)



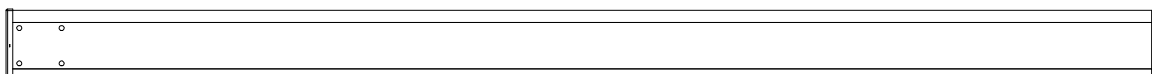
(4) **D9 - SHORT ANGLE BRACE - W4L04594**  
1 3/8"x5 1/4"x29 3/4" (36x134x755)



(12) **P1 - LONG PURLIN - W4L04589**  
1 3/8"x1 3/8"x76 5/8" (36x36x1945)



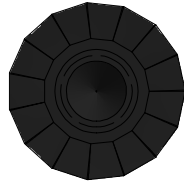
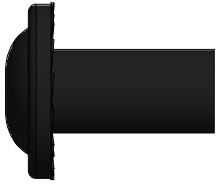
(12) **P2 - SHORT PURLIN - W4L04595**  
1 3/8"x1 3/8"x59 1/4" (36x36x1504)



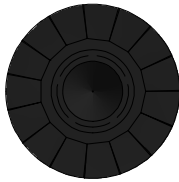
(4) **WP1 - PERGOLA POST - W4L04584**  
5 1/2"x5 1/2"x89 1/2" (140x140x2273)

# Parts Identification

## Hardware



(34) - NUT BARREL WH 5/16x7/8 BLK - H100192



(34) - NUT BARREL WH 5/16x1-1/2 BLK - H100193



(2) - SCREW PFH 8x1/2 BLK - H100203



(17) - SCREW PFH 8x1-1/2 BLK - H100200



(100) - SCREW PFH 8x2-1/2 BLK - H100201



(9) - LAG SCREW WH 5/16x3 BLK - H100206



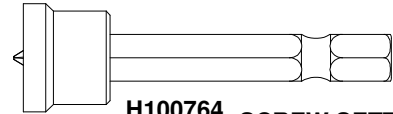
(18) - LAG SCREW WH 5/16x5-1/2 BLK - H100204



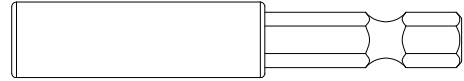
(18) - BOLT WH 5/16x2-1/2 BLK - H100194



(34) - BOLT WH 5/16x7-1/4 BLK - H100196



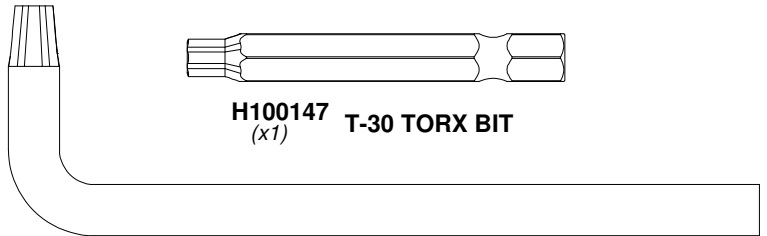
H100764  
(x1) SCREW SETTER



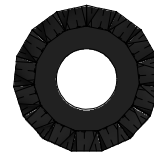
H101100  
(x1) MAGNETIC DRIVER



H100147  
(x1) T-30 TORX BIT



H100114  
(x1) T-30 TORX WRENCH



(76) - WASHER LOCK EXT 8x19 BLK - H100198



(52) - WASHER LOCK EXT 12x19 BLK - H100199



(2) - SCREW PWH 8x5/8 BLK - H100202



(17) - CONCRETE ANCHOR 1/4"x2" - H100120

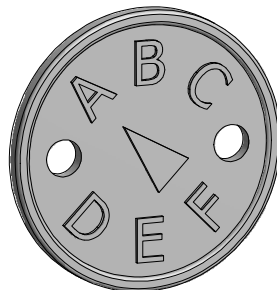
Parts Identification  
**Accessories**  
(NOT TO SCALE)



(4) HT - FOOT 142 SQUARE POST - A100029



(1) XR - BYD ID TAG (SMALL) WITHOUT AGES - A100241



(1) SQ - "A" REVISION TAG - A100314

# PRE-ASSEMBLY STEP 1 - SORTING PARTS

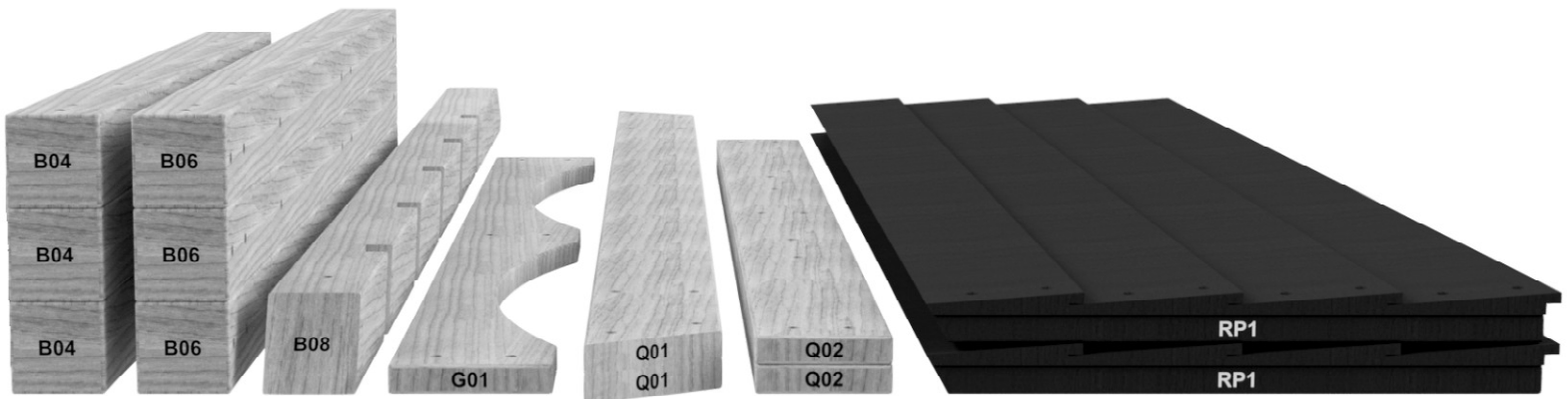
It is critical for ease of assembly that you take the time to sort and organize the wood and hardware.

---

## WOOD PARTS:

- Organize wood parts by the three-digit, alpha-numeric number stamped on each board (ex. P01).
- If there are multiple boards with the same stamped number, stack those pieces together.
- Stamps can be found on the flat surface of the boards or on the end of the boards.
- Allow yourself plenty of room - the wood pieces can take up a significant amount of space.

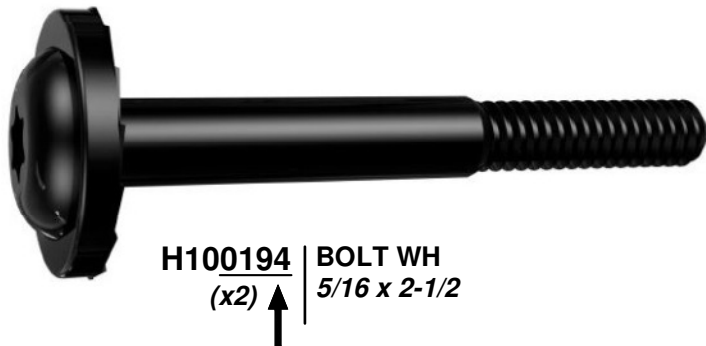
**NOTE: CARTONS ARE NOT ORGANIZED BY BOARD NUMBER.**



---

## HARDWARE PARTS:

- We recommend that you have a separate table to organize the hardware.
- Hardware bags are printed with a seven-digit, alpha-numeric part number.
- You can organize your hardware by part number or group by hardware type (i.e. bolts, nuts, etc.).
- During assembly you only need to reference the last four digits of the number.



# PRE-ASSEMBLY STEP 2 - TOOLS REQUIRED



**Cordless Drill or  
Electric Drill**



**Drill Attachments:  
Phillips Head**



**1/8", 3/16", 3/8" & 7/16"  
Drill Bits**



**Phillips Screw Driver**



**Open End Wrenches 1/2" & 9/16"**



**3/8" Drive Ratchet, 1/2" &  
9/16" STD Sockets 1/2" & 9/16" Deep  
Sockets**



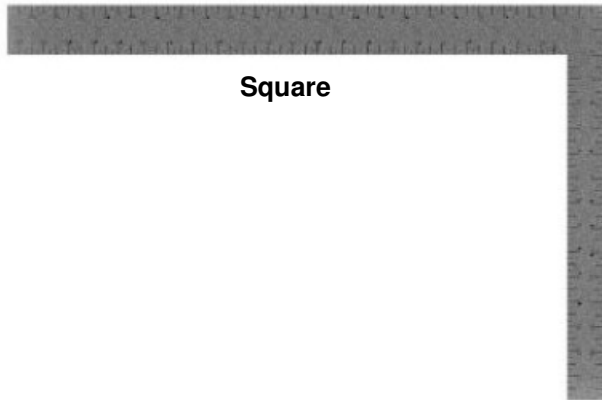
**Claw Hammer**



**Rubber Mallet - Optional**



**Tape Measure**



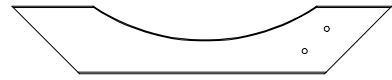
**Square**



**Level 24"**



(2) **D4 - JOIST - W4L04587**  
 1 3/8"x5 1/4"x90" (36x134x2286)

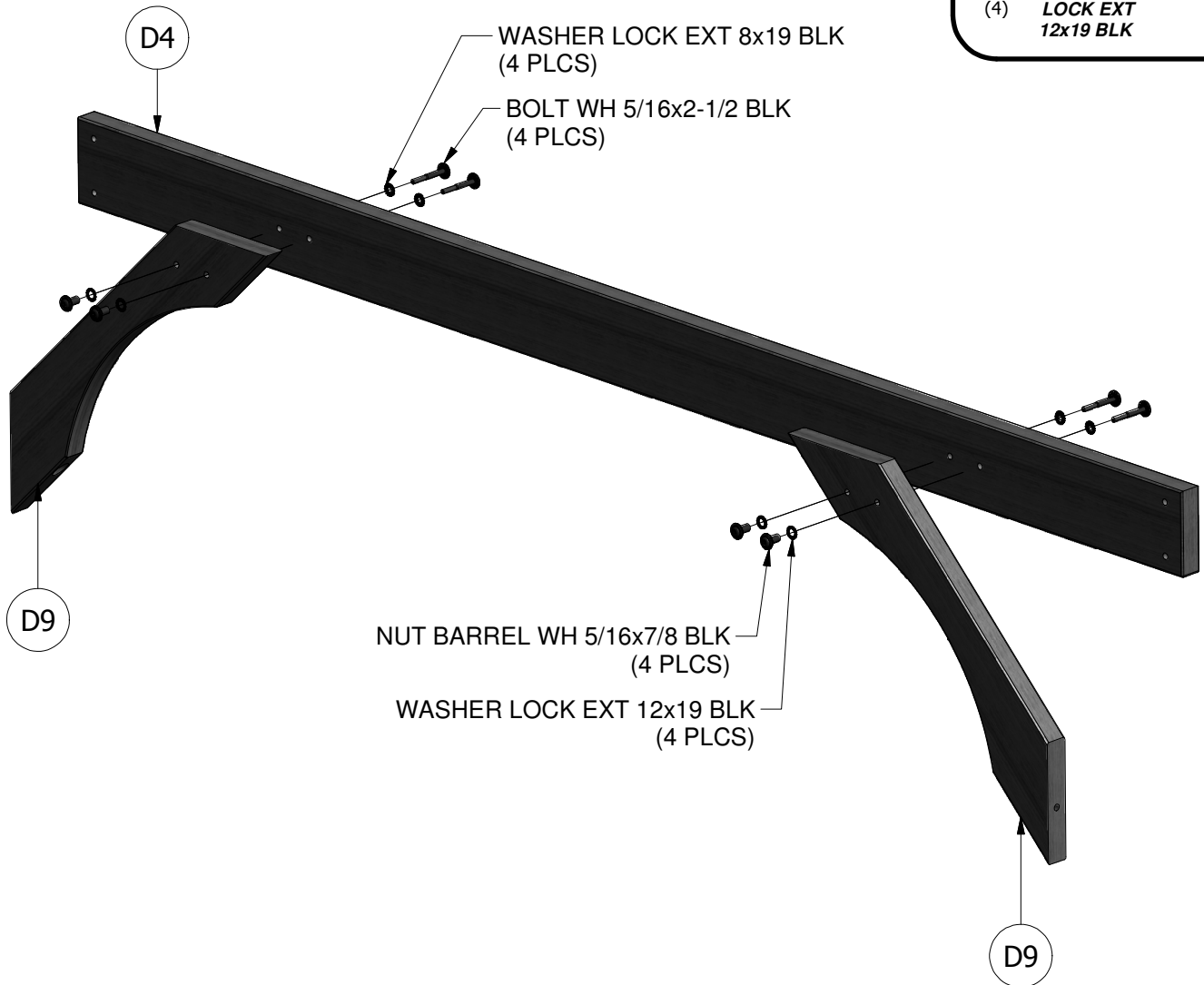
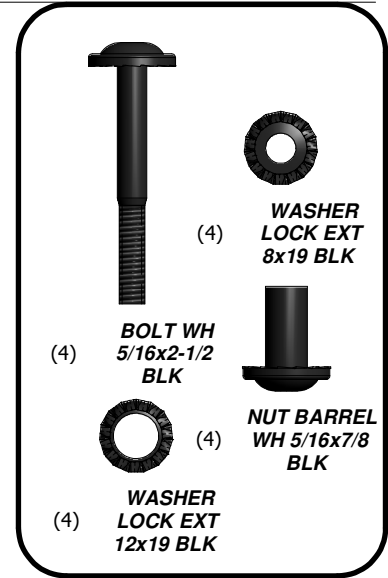


(4) **D9 - SHORT ANGLE BRACE - W4L04594**  
 1 3/8"x5 1/4"x29 3/4" (36x134x755)

**STEP 1**

**REPEAT PROCESS FOR OPPOSITE SIDE.**

**\*\*\*HAND TIGHTEN ONLY AT THIS TIME.\*\*\***







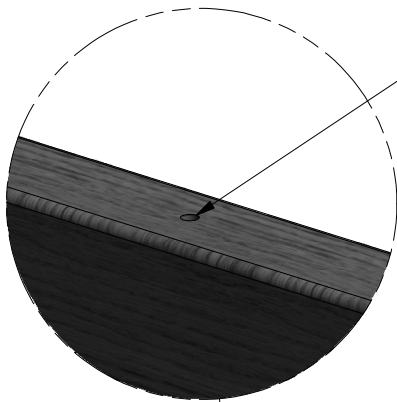
(2) **D1 - JOIST - W4L04585**  
 1 3/8"x5 1/4"x114" (36x134x2896)



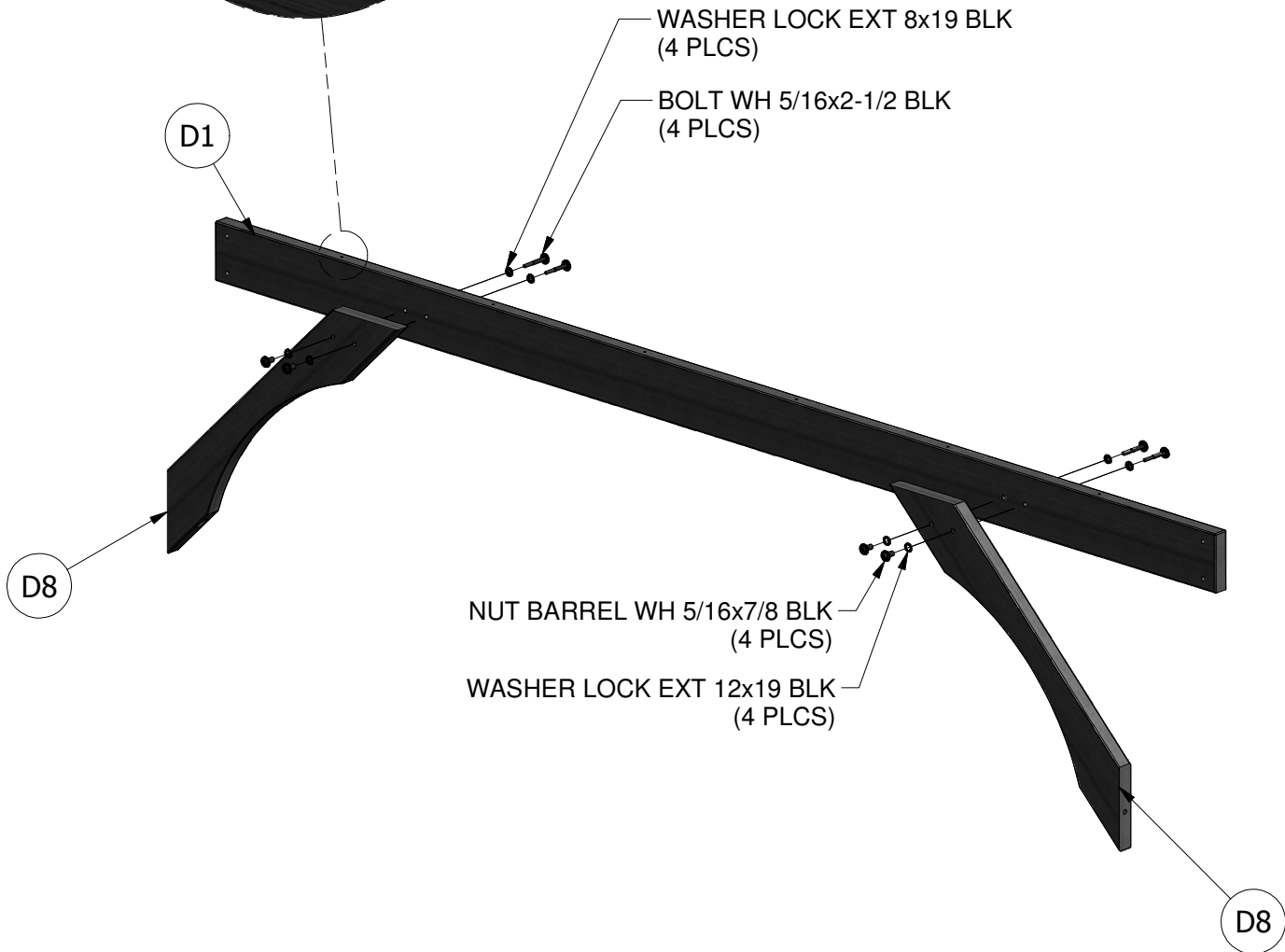
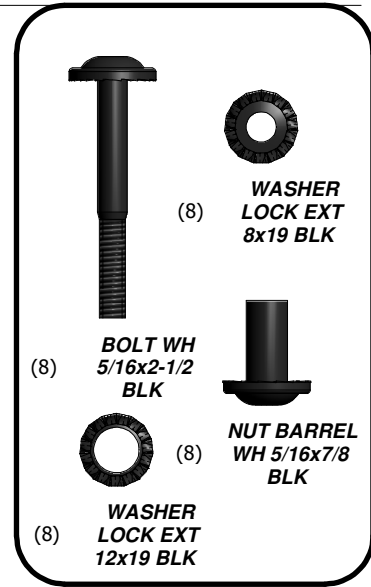
(4) **D8 - LONG ANGLE BRACE - W4L04593**  
 1 3/8"x5 1/4"x37 1/8" (36x134x942)

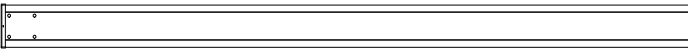
**STEP 2**

REPEAT PROCESS FOR OPPOSITE SIDE.



**NOTE:**  
 ORIENT THE (6) HOLES  
 TOWARDS THE TOP.





(4) **WP1 - PERGOLA POST - W4L04584**  
 5 1/2"x5 1/2"x89 1/2" (140x140x2273)



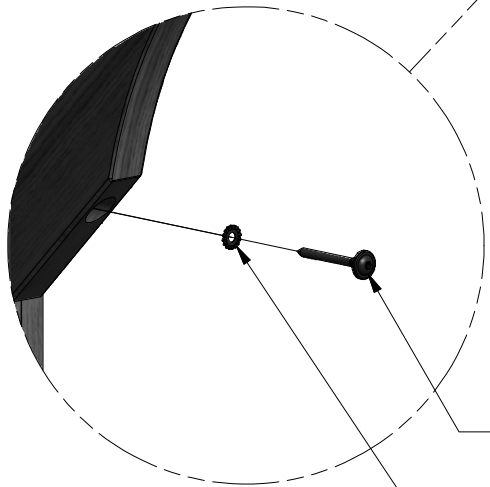
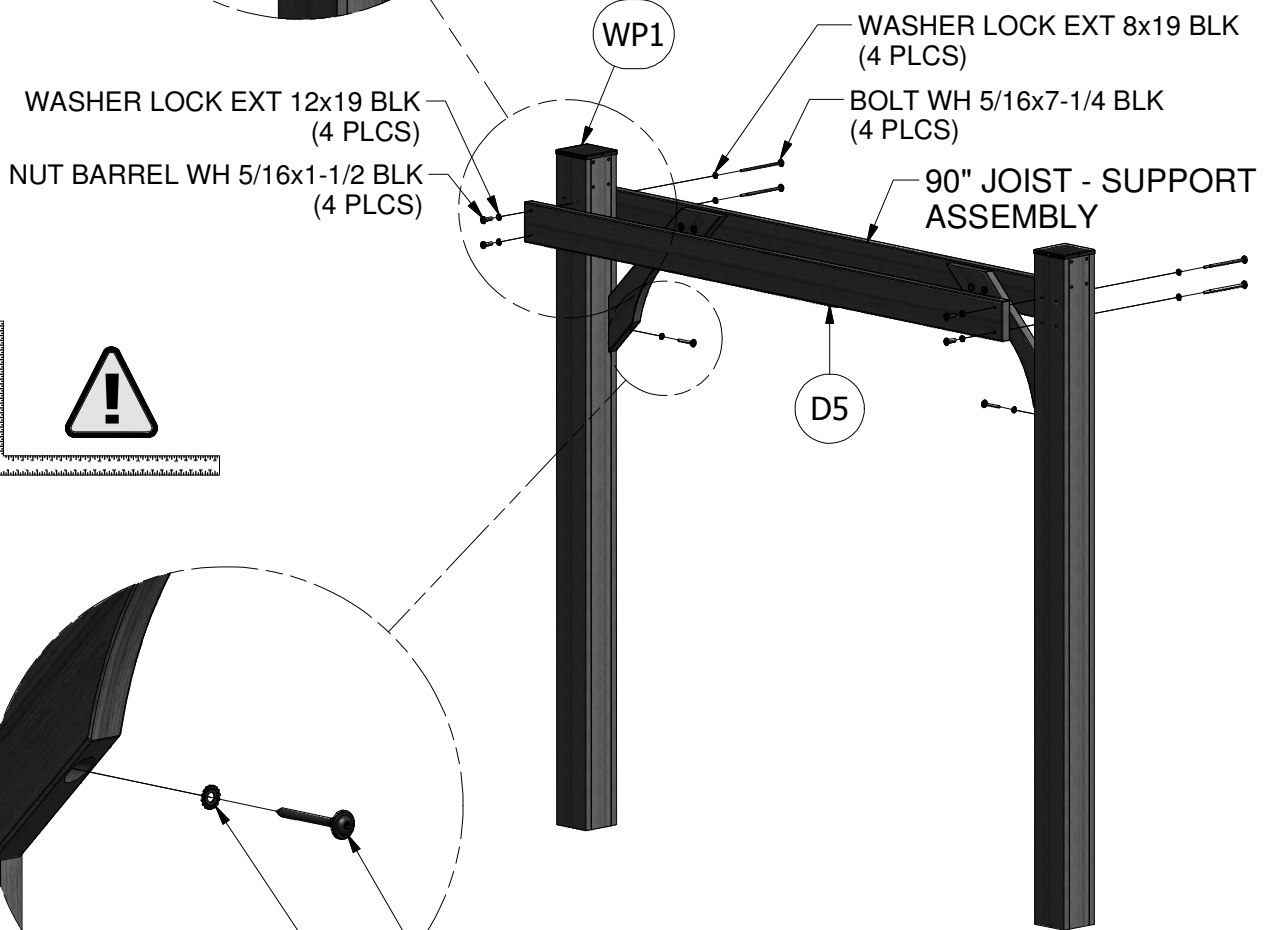
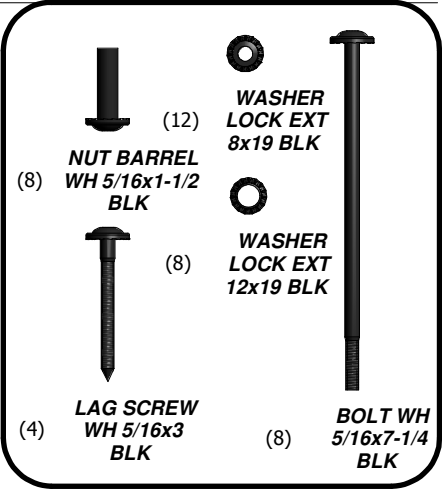
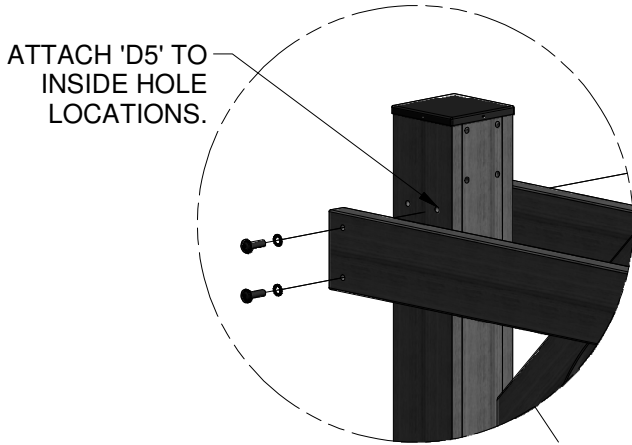
(2) **D5 - JOIST - W4L04591**  
 1 3/8"x5 1/4"x90" (36x134x2286)

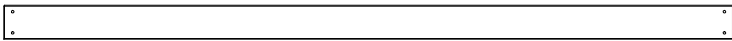


(2) **90" JOIST - SUPPORT ASSEMBLY**

**STEP 3**

**REPEAT PROCESS FOR OPPOSITE SIDE.**





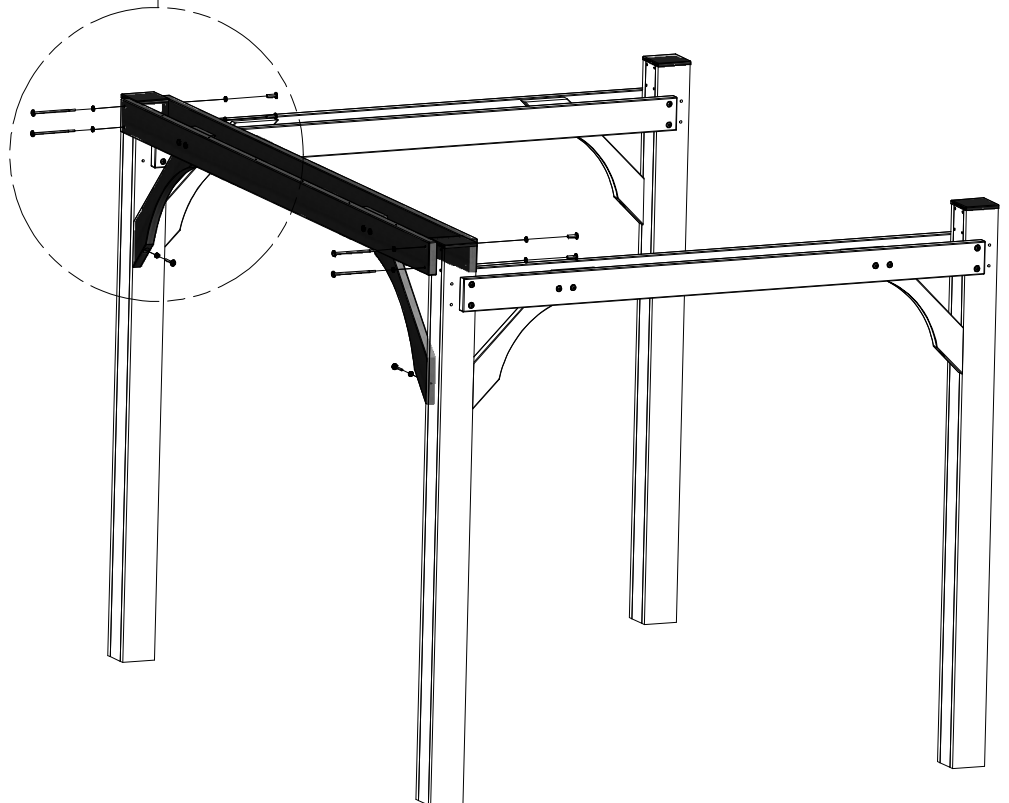
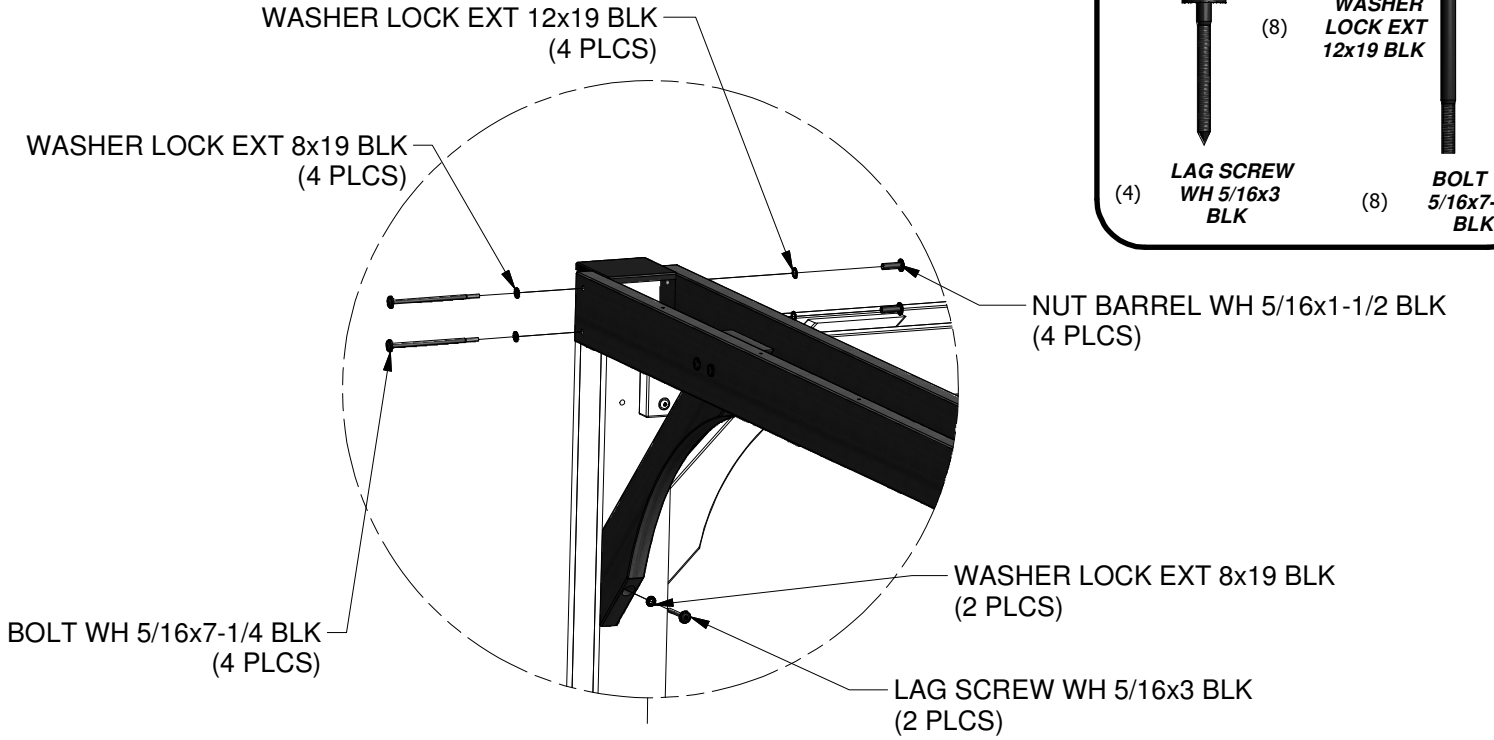
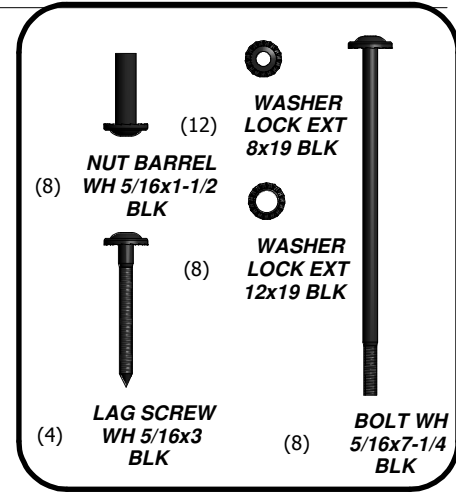
(2) **D2 - JOIST - W4L04590**  
 1 3/8"x5 1/4"x114" (36x134x2896)



(2) **114" JOIST - SUPPORT ASSEMBLY**

**STEP 4**

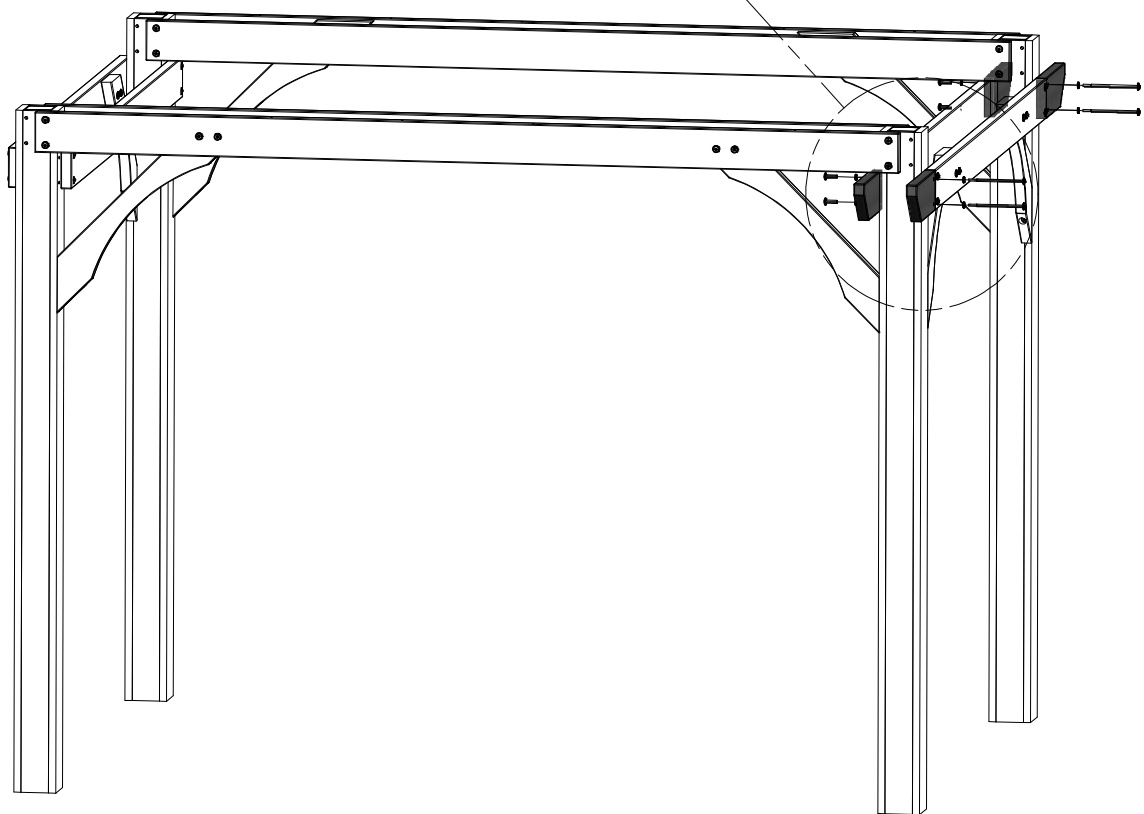
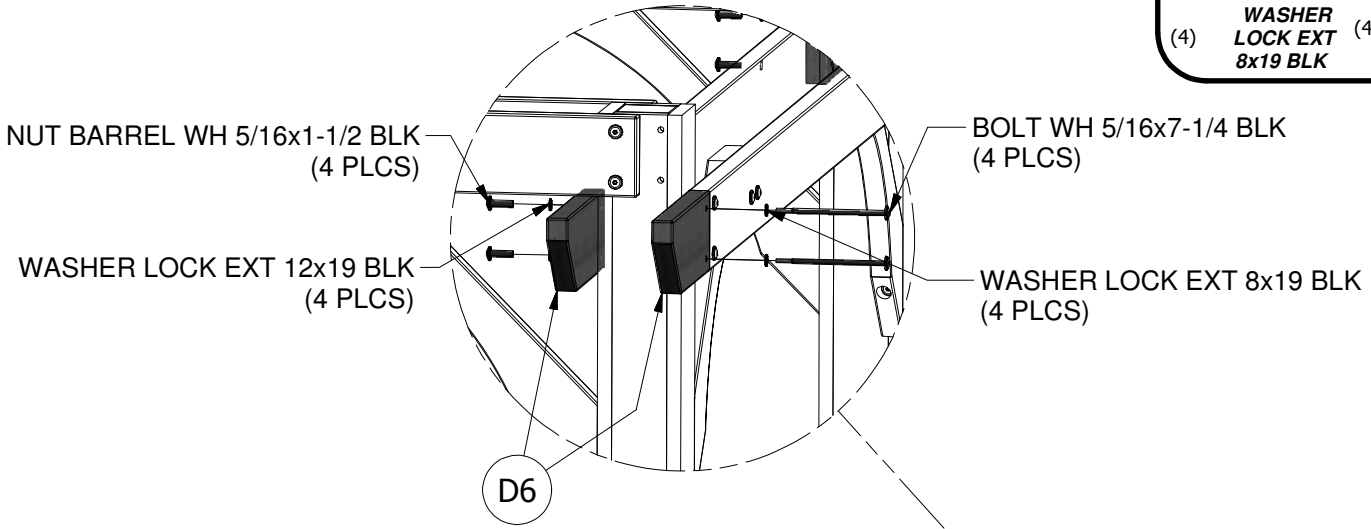
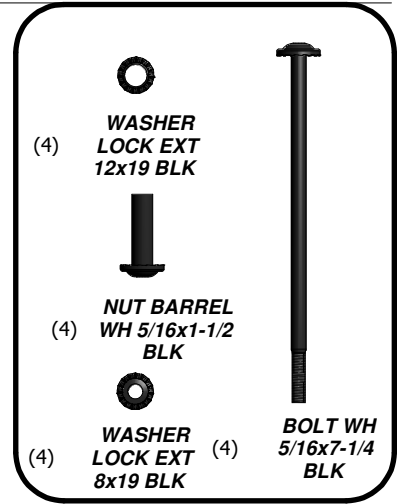
**REPEAT PROCESS FOR OPPOSITE SIDE.**





(4) **D6 - JOIST END - W4L04588**  
 1 3/8"x5 1/4"x15" (36x134x381)

**STEP 5**



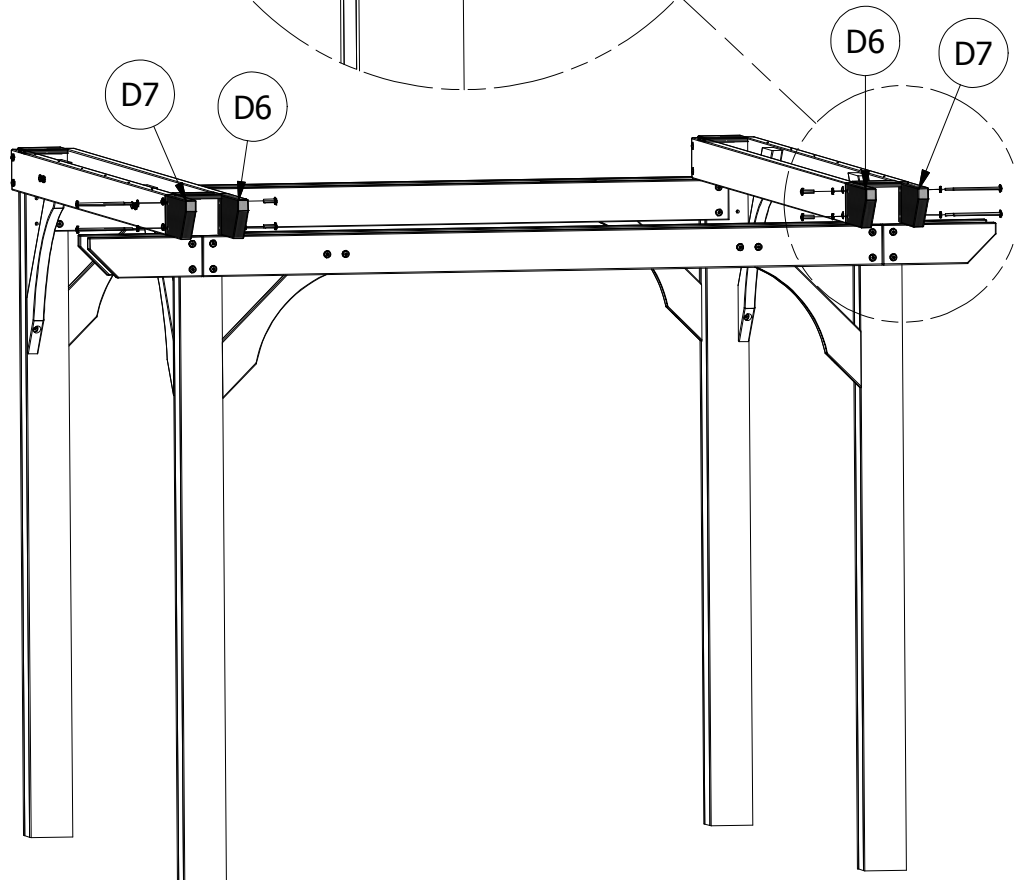
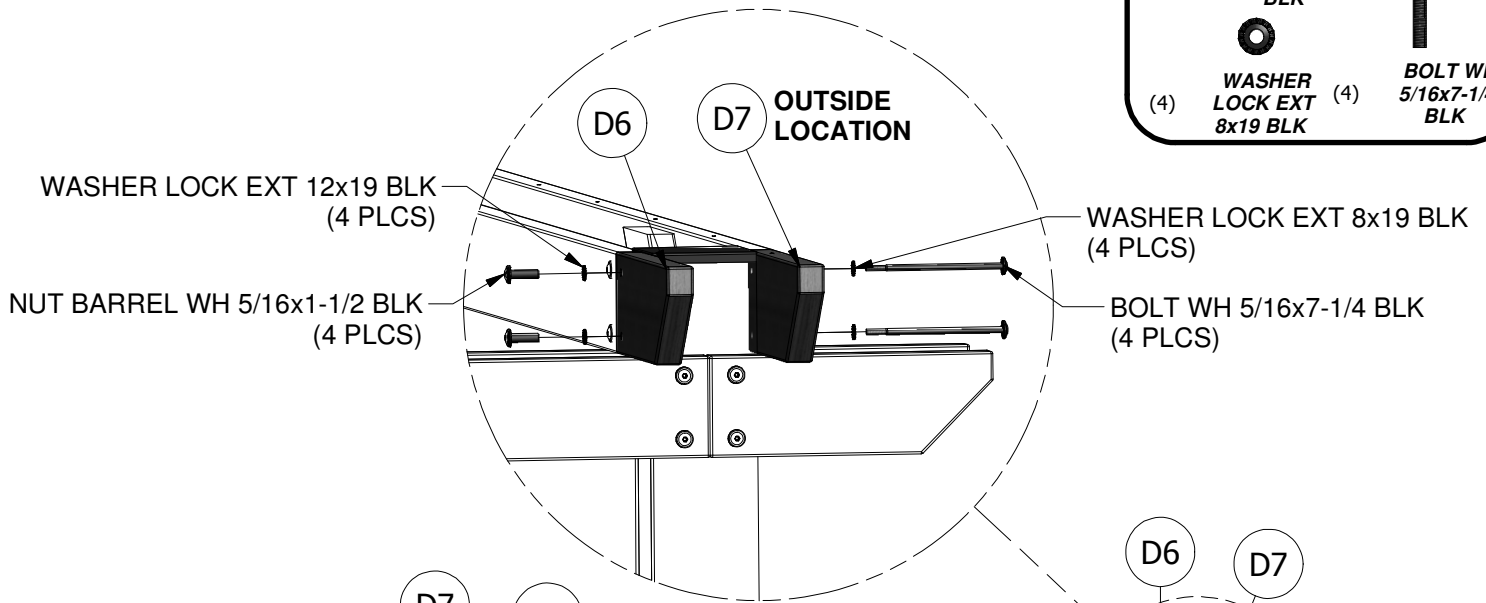
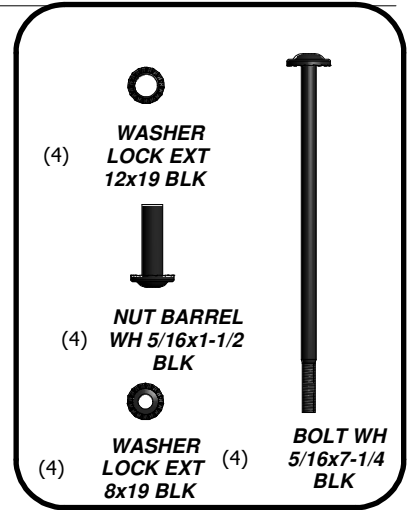


(2) **D7 - JOIST END - W4L04592**  
 1 3/8"x5 1/4"x15" (36x134x381)



(2) **D6 - JOIST END - W4L04588**  
 1 3/8"x5 1/4"x15" (36x134x381)

**STEP 6**





(4) **D6 - JOIST END - W4L04588**  
1 3/8"x5 1/4"x15" (36x134x381)

**STEP 7**

WASHER LOCK EXT 8x19 BLK  
(4 PLCS)

BOLT WH 5/16x7-1/4 BLK  
(4 PLCS)

D6

NUT BARREL WH 5/16x1-1/2 BLK  
(4 PLCS)

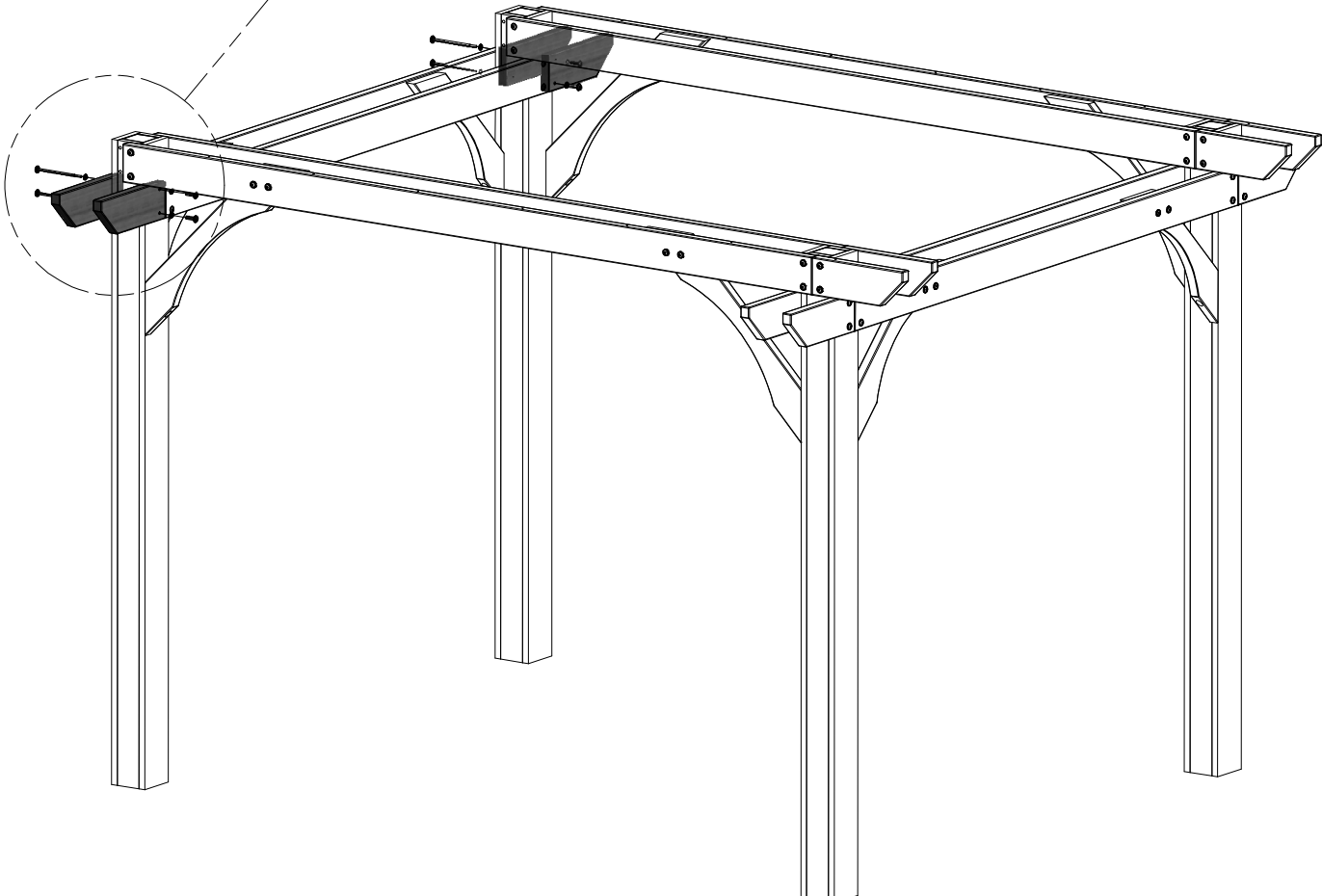
WASHER LOCK EXT 12x19 BLK  
(4 PLCS)

(4) WASHER  
LOCK EXT  
12x19 BLK

(4) NUT BARREL  
WH 5/16x1-1/2  
BLK

(4) WASHER  
LOCK EXT  
8x19 BLK

(4) BOLT WH  
5/16x7-1/4  
BLK





(2) **D7 - JOIST END - W4L04592**  
 1 3/8"x5 1/4"x15" (36x134x381)



(2) **D6 - JOIST END - W4L04588**  
 1 3/8"x5 1/4"x15" (36x134x381)

**STEP 8**

WASHER LOCK EXT 8x19 BLK  
 (4 PLCS)

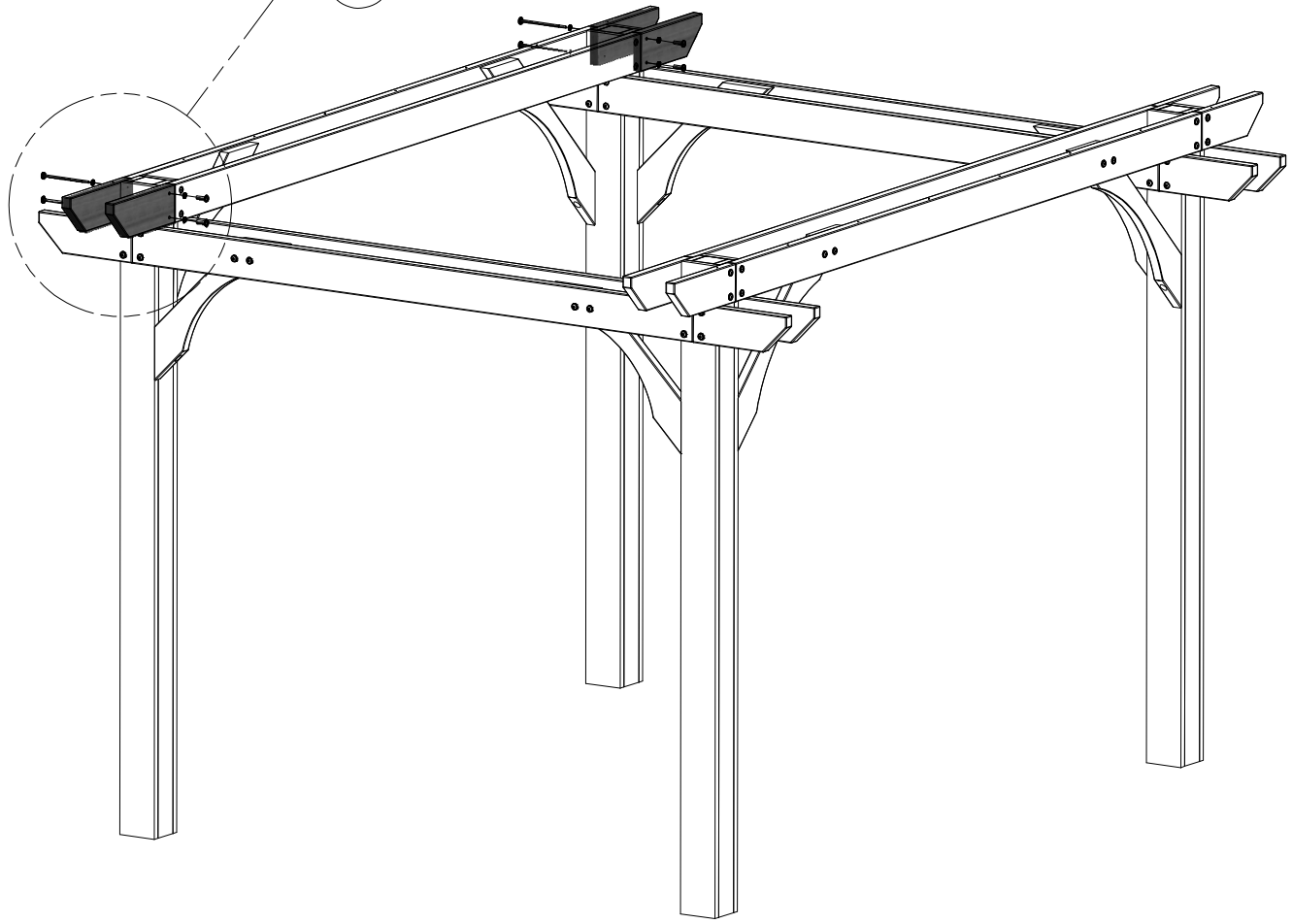
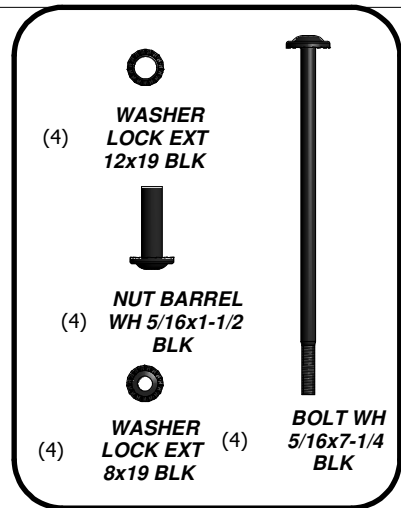
BOLT WH 5/16x7-1/4 BLK  
 (4 PLCS)

D7

D6

NUT BARREL WH 5/16x1-1/2 BLK  
 (4 PLCS)

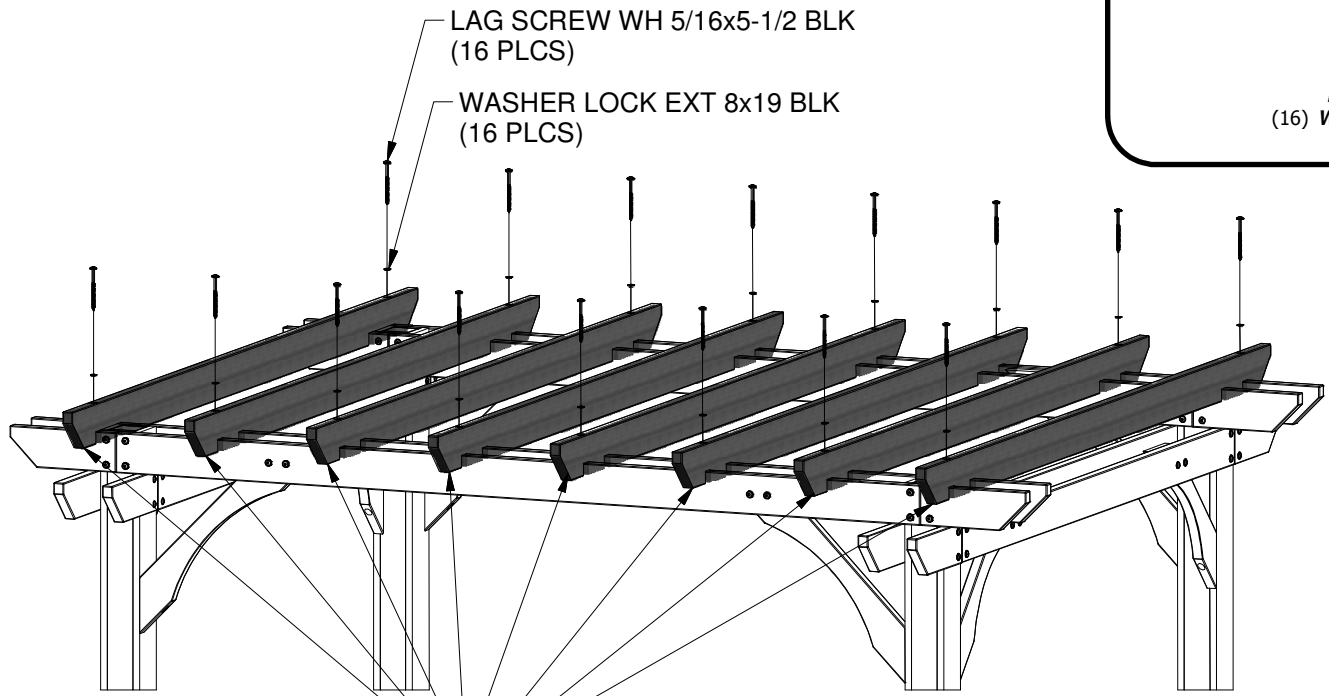
WASHER LOCK EXT 12x19 BLK  
 (4 PLCS)



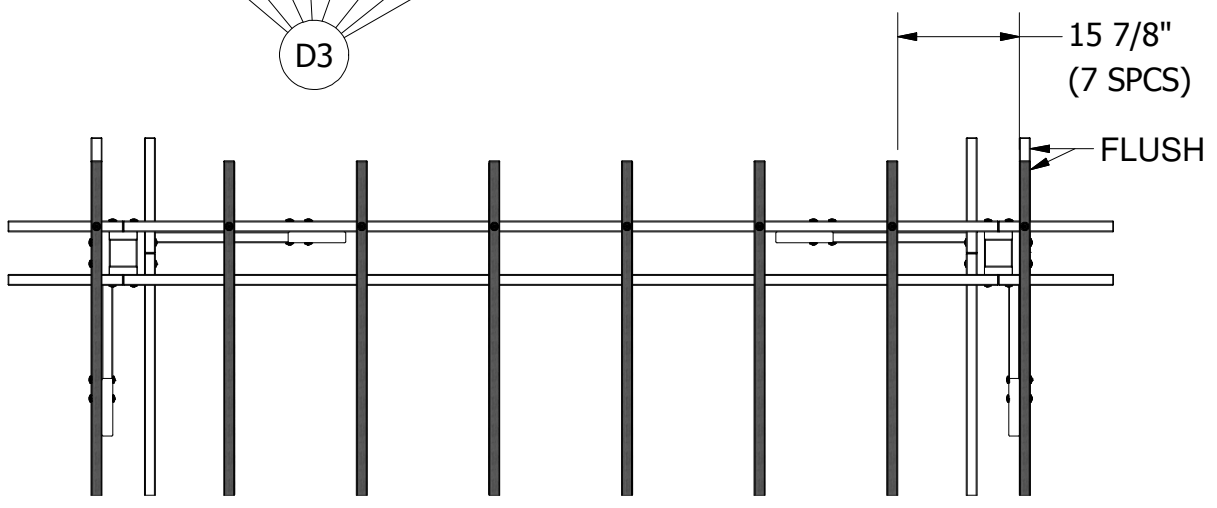


(8) **D3 - SLOTTED JOIST - W4L04586**  
**1 3/8"x5 1/4"x114" (36x134x2896)**

**STEP 9**



D3



JOIST SPACING



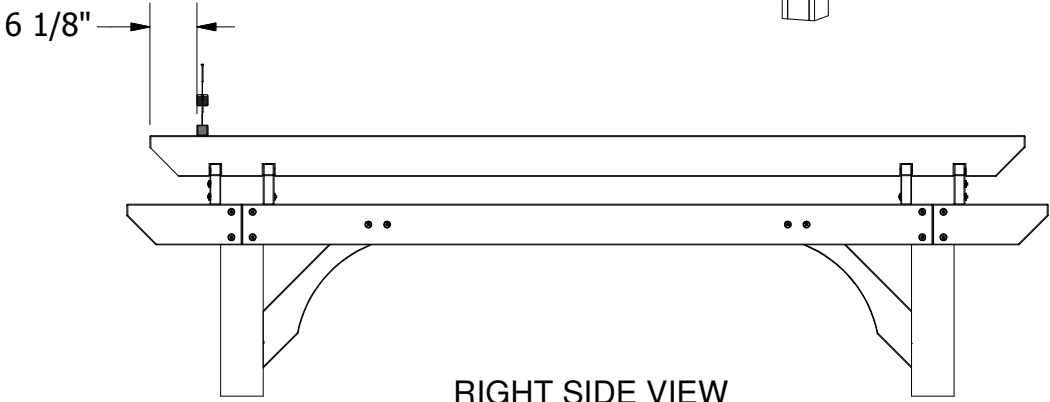
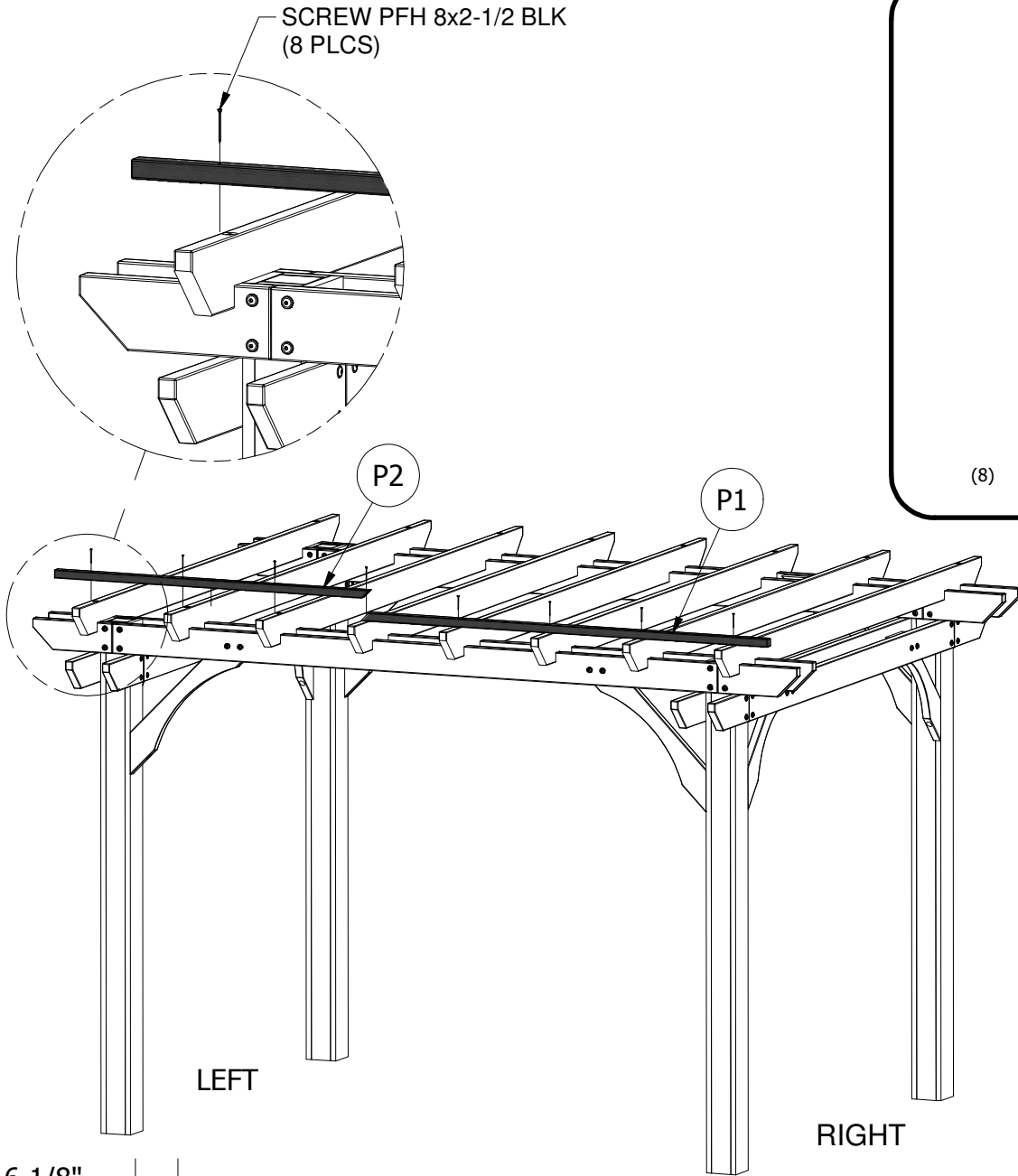


(1) **P1 - LONG PURLIN - W4L04589**  
 1 3/8"x1 3/8"x76 5/8" (36x36x1945)



(1) **P2 - SHORT PURLIN - W4L04595**  
 1 3/8"x1 3/8"x59 1/4" (36x36x1504)

**STEP 10**

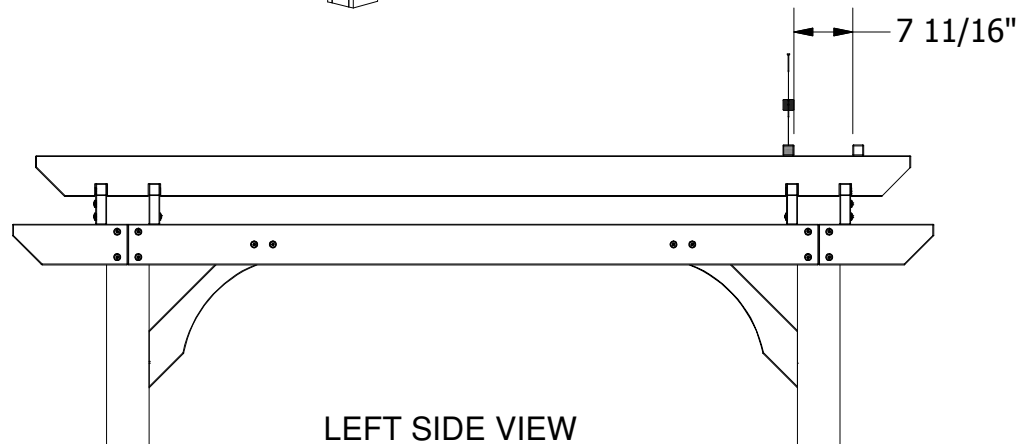
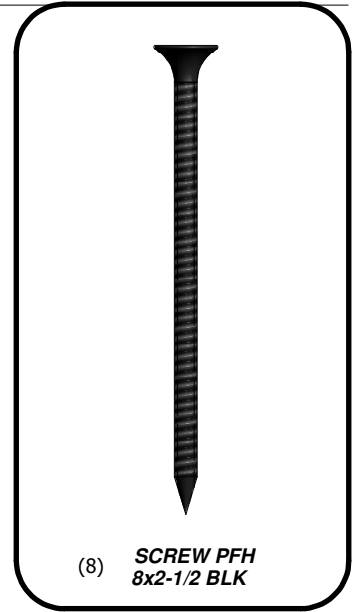
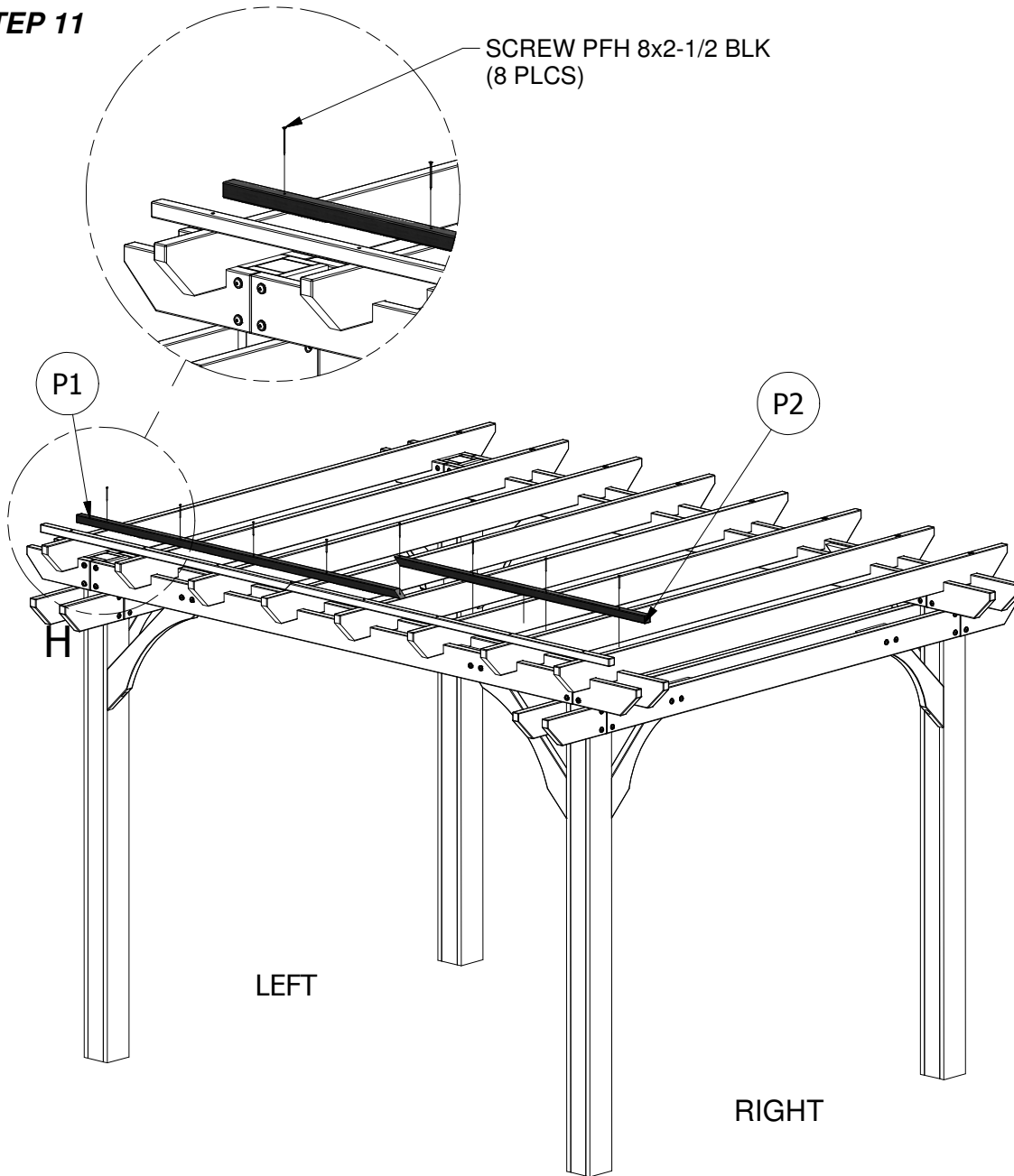


**RIGHT SIDE VIEW**

(1) **P1 - LONG PURLIN - W4L04589**  
1 3/8"x1 3/8"x76 5/8" (36x36x1945)

(1) **P2 - SHORT PURLIN - W4L04595**  
1 3/8"x1 3/8"x59 1/4" (36x36x1504)

**STEP 11**

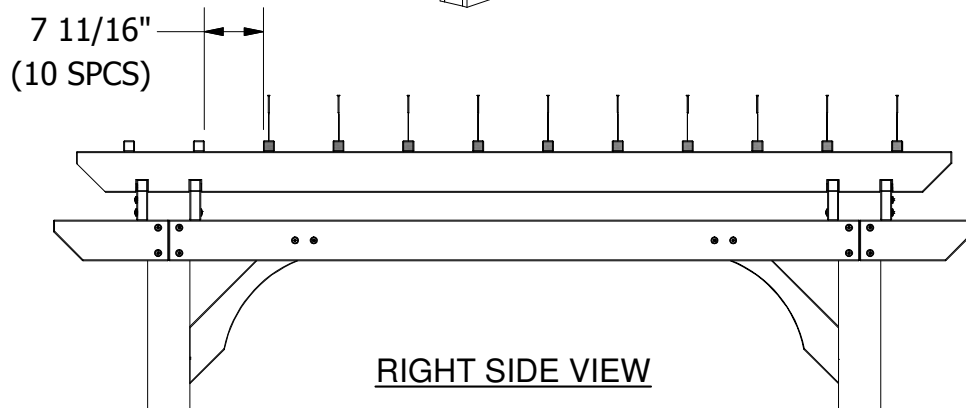
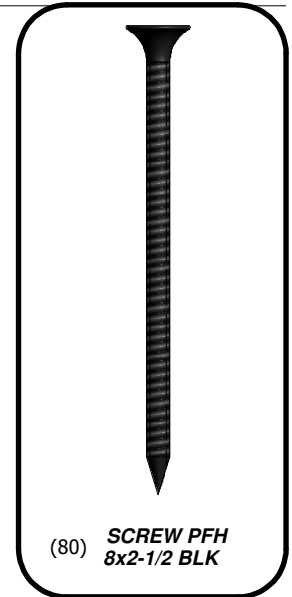
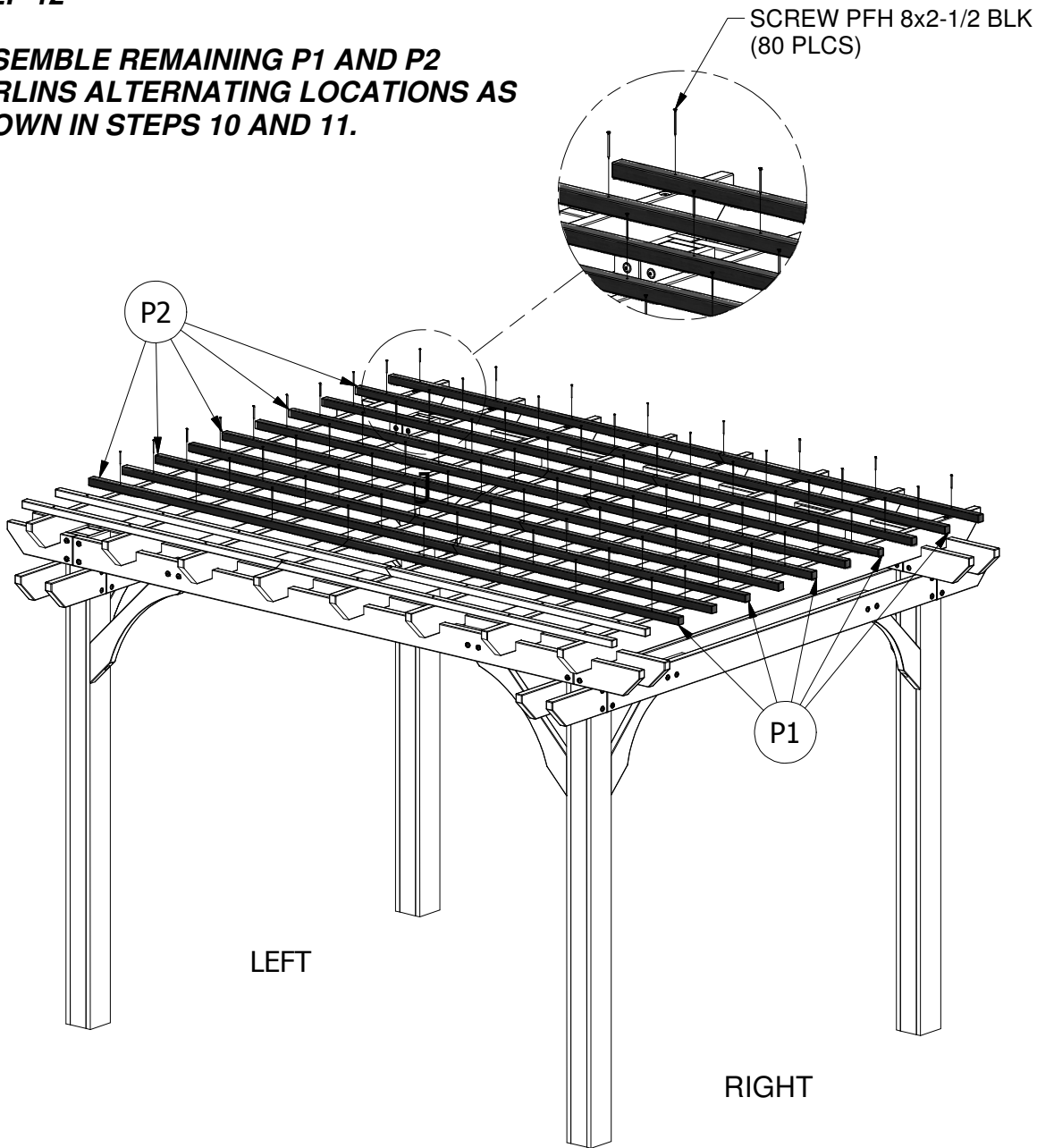


(10) P1 - LONG PURLIN - W4L04589  
1 3/8"x1 3/8"x76 5/8" (36x36x1945)

(10) P2 - SHORT PURLIN - W4L04595  
1 3/8"x1 3/8"x59 1/4" (36x36x1504)

**STEP 12**

**ASSEMBLE REMAINING P1 AND P2  
PURLINS ALTERNATING LOCATIONS AS  
SHOWN IN STEPS 10 AND 11.**



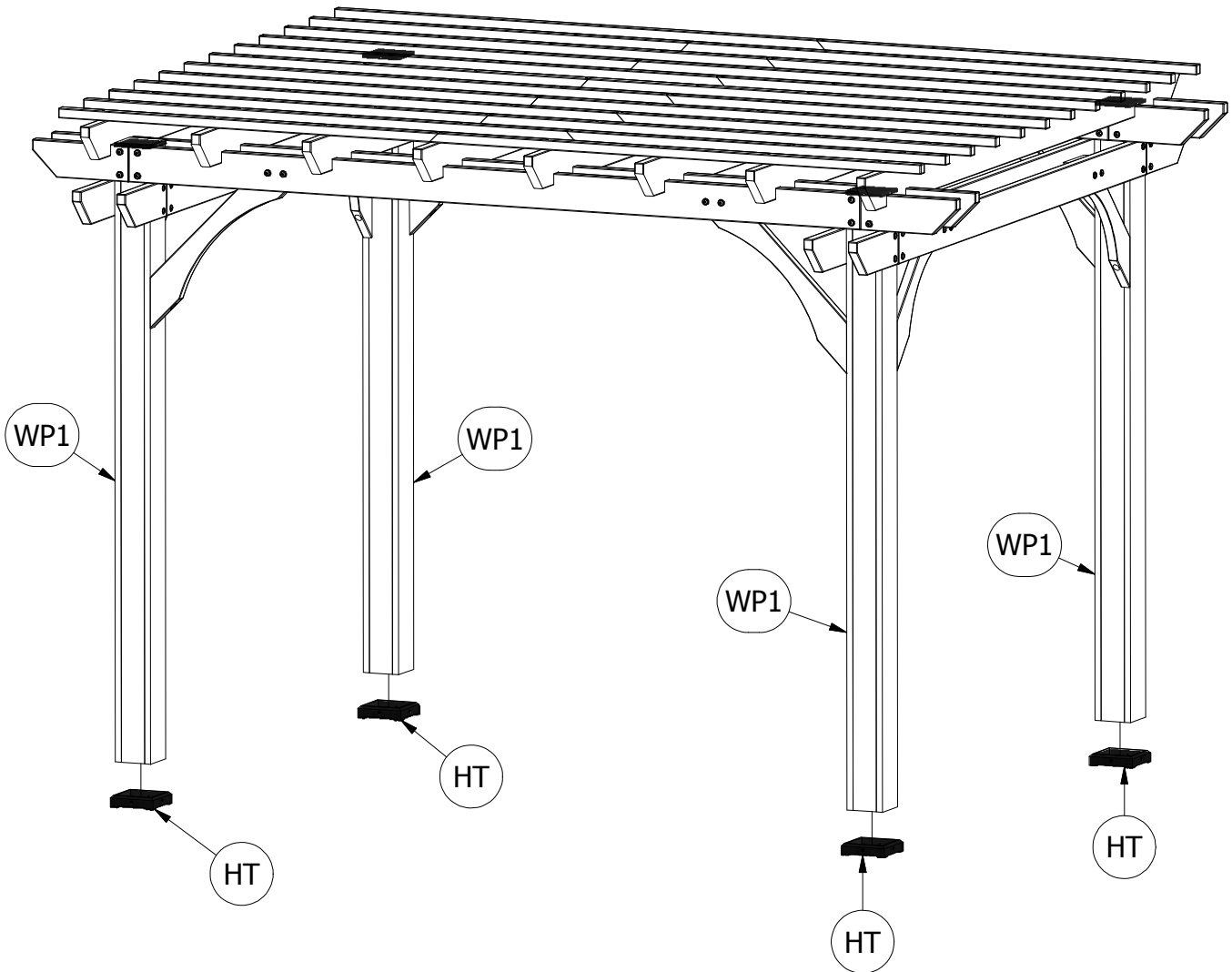


(4) HT - FOOT 142 SQUARE POST - A100029

**STEP 13**

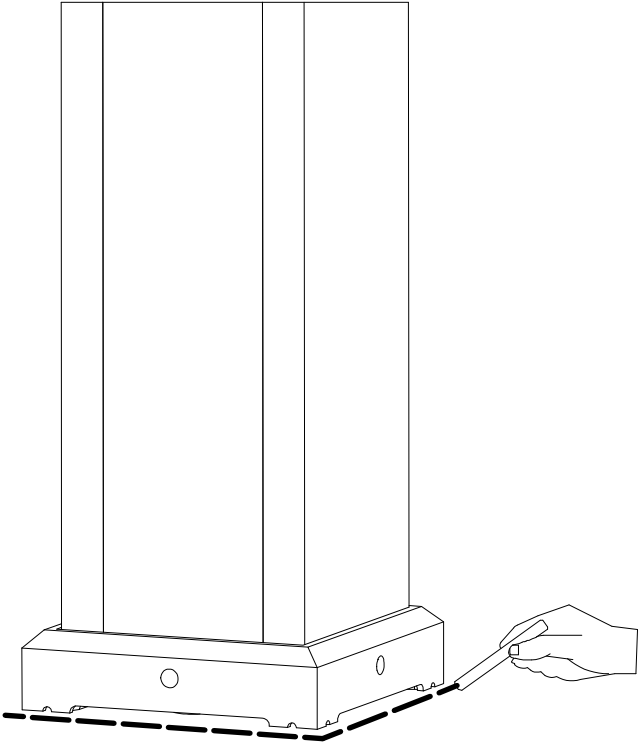
**DECIDE WHERE TO PLACE THE PERGOLA; GRASS, CONCRETE OR OTHER MATERIAL. PLACE THE PERGOLA EXACTLY WHERE IT WILL BE ANCHORED WHEN COMPLETED AND SLIDE A FOOT 'HT' UNDER EACH POST 'WP1'.**

**NOTE:  
IF NOT PLACING ON CONCRETE, PROCEED TO STEP 17.**



**STEP 14**

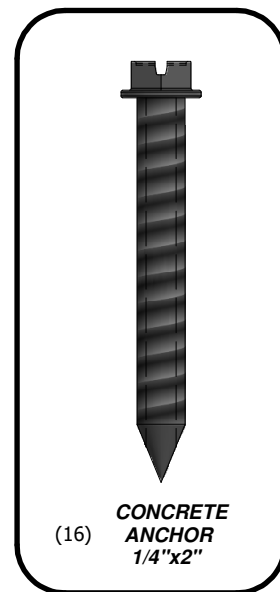
**USE CHALK TO TRACE AROUND THE EDGES OF EACH FOOT 'HT'.**



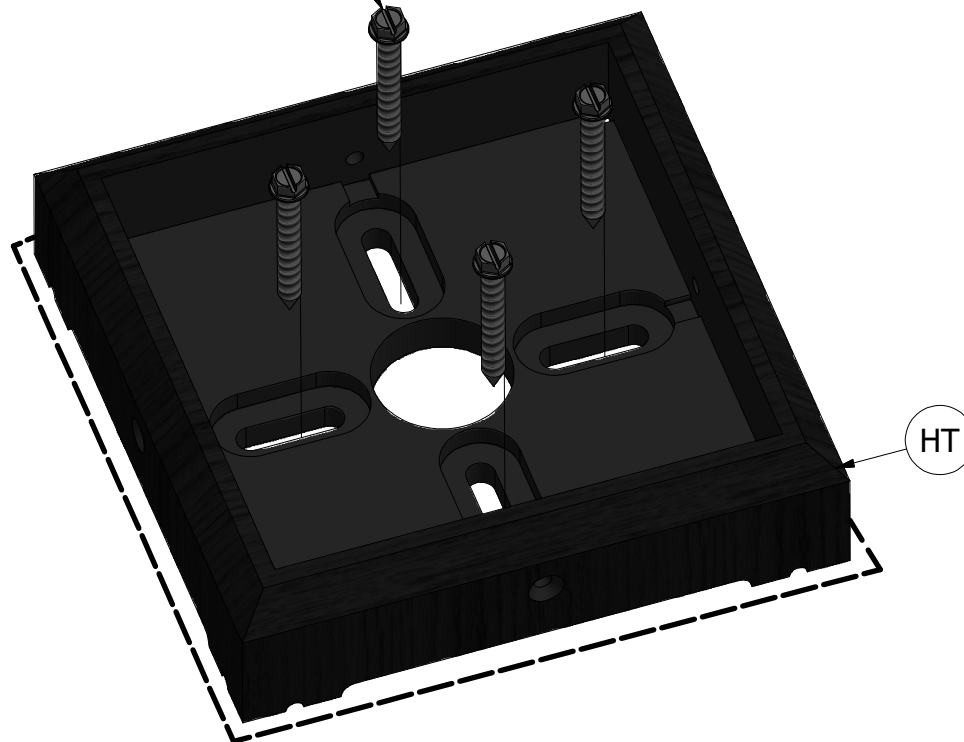
**STEP 15**

**MOVE THE PERGOLA ASIDE. PLACE EACH FOOT 'HT' INSIDE OF THE LINES DRAWN IN STEP 14. USING A CONCRETE DRILL BIT, PILOT DRILL ATTACHMENT HOLES INTO THE CONCRETE PAD.**

**NEXT, USE THE 1/4"x2" CONCRETE ANCHORS TO ATTACH EACH FOOT TO THE CONCRETE SURFACE.**

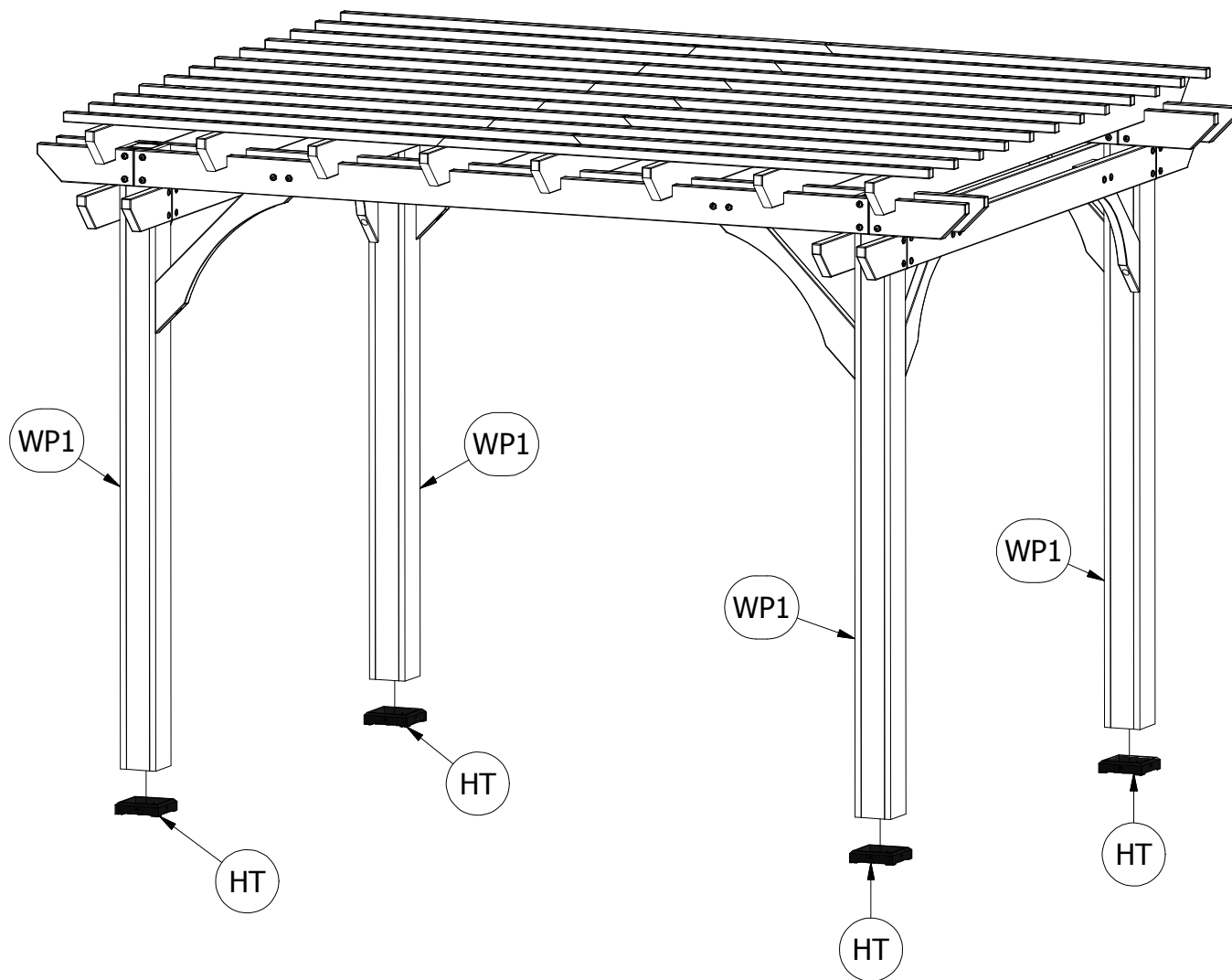


CONCRETE ANCHOR 1/4"x2"  
(16 PLCS)



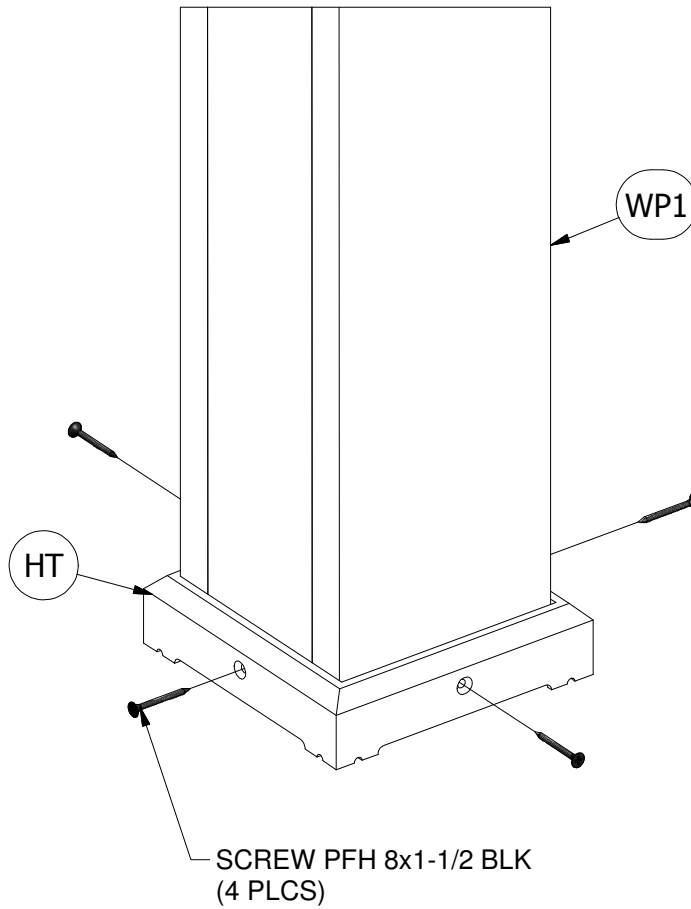
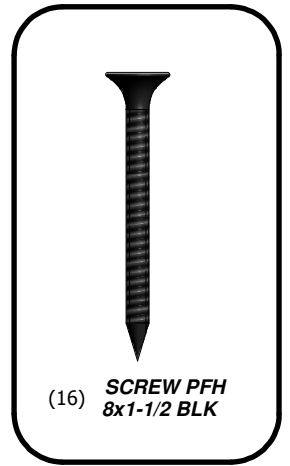
**STEP 16**

**SET THE PERGOLA BACK IN PLACE, SETTING EACH POST 'WP1' INSIDE AN 'HT' FOOT..**



**STEP 17**

**ATTACH 'HT' FEET TO EACH 'WP1' POST USING 1-1/2" DECK SCREWS INTO EACH SIDE OF FOOT, AS SHOWN.**

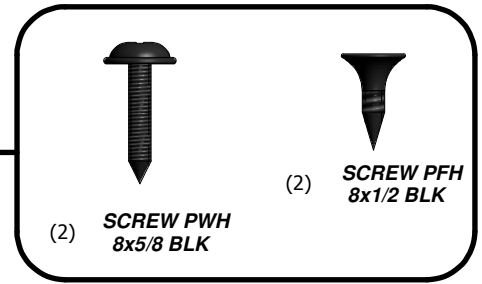






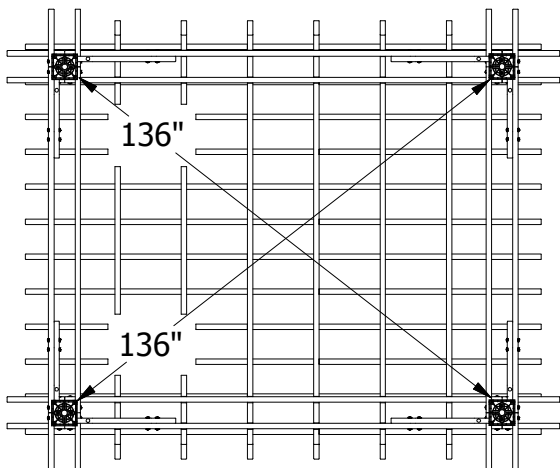
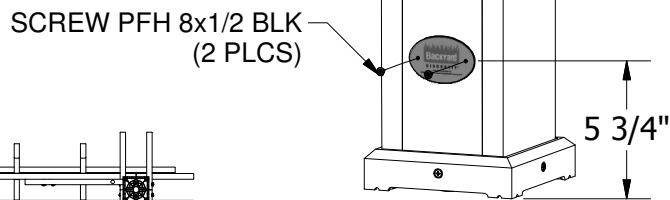
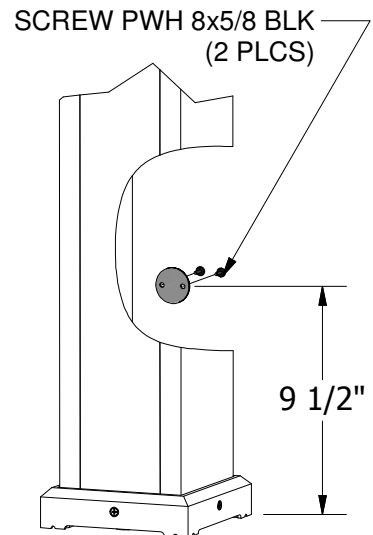
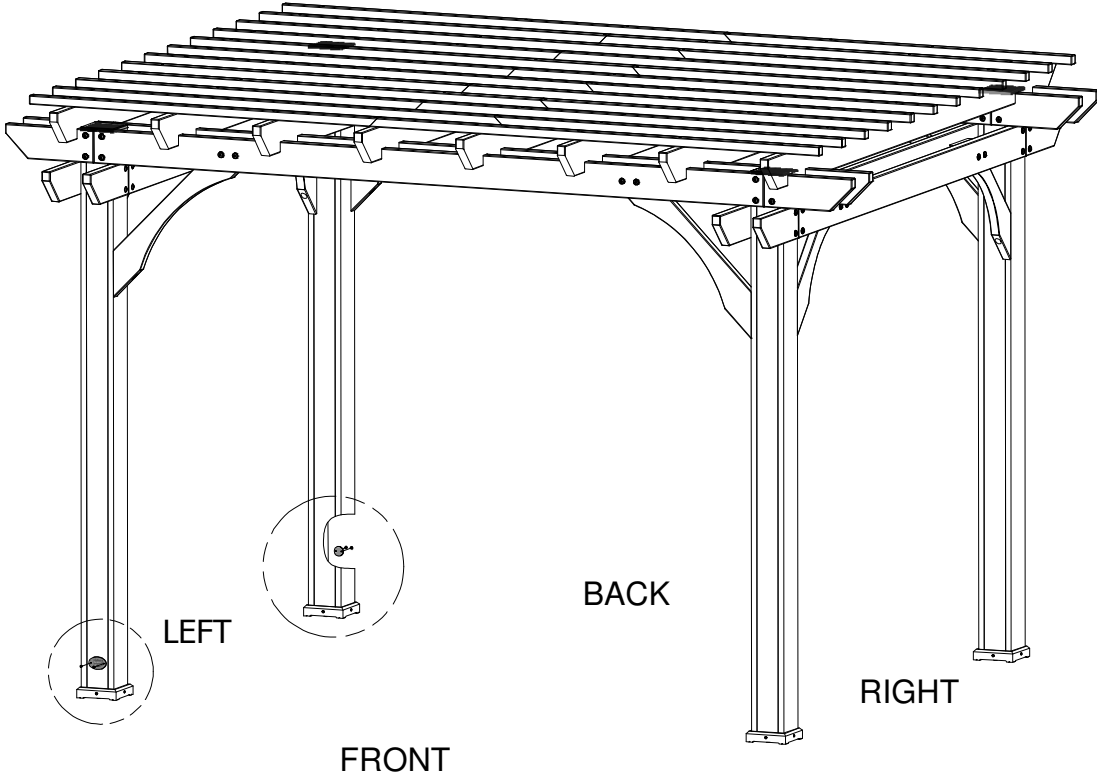
(1) SQ - "A" REVISION TAG - A100314

(1) XR - BYD ID TAG (SMALL) WITHOUT AGES - A100241



**STEP 18**

**PLACE I.D. PLACARD ON FRONT OF POST APPROXIMATELY AS SHOWN.  
PLACE REVISION TAG ON REAR OF POST APPROXIMATELY AS SHOWN.**



**SQUARE POSTS AND TIGHTEN ALL BOLTS AND SCREWS AT THIS TIME.**

## Limited Warranty

This Limited Warranty by Backyard Discovery applies to products manufactured under the Backyard Discovery brand or its other brands including but not limited to Backyard Botanical, Adventure Playsets, and Leisure Time Products.

Backyard Discovery warrants that this product is free from defect in materials and workmanship for a period of one (1) year from the original date of purchase. This one (1) year warranty covers all parts including wood, hardware, and accessories. All wood carries a five (5) year pro-rated warranty against rot and decay. Refer to the schedule below for charges associated with replacement of parts under this Limited Warranty. In addition, Backyard Discovery will replace any parts within the first 30 days from date of purchase found to be missing from or damaged in the original packaging.

This warranty applies to the original owner and registrant and is **non-transferable**. Regular maintenance is required to assure maximum life and performance of this product and failure by the owner to maintain the product according to the maintenance requirements may void this warranty. Maintenance guidelines are provided in the Owner's Manual.

This Limited Warranty does not cover:

- Labor for any inspection
- Labor for replacement of any defective item(s)
- Incidental or consequential damages
- Cosmetic defects which do not affect performance or integrity of a part or the entire product
- Vandalism, improper use, failure due to loading or use beyond the capacities stated in the applicable Assembly Manual.
- Acts of nature including but not limited to wind, storms, hail, floods, excessive water exposure
- Improper installation including but not limited to installation on uneven, unlevel, or soft ground
- Minor twisting, warping, checking, or any other natural occurring properties of wood that do not affect performance or integrity

Backyard Discovery products have been designed for safety and quality. Any modifications made to the original product could damage the structural integrity of the unit leading to failure and possible injury. Modification voids any and all warranties and Backyard Discovery assumes no liability for any modified products or consequences resulting from failure of a modified product.

This product is warranted for RESIDENTIAL USE ONLY. Under no circumstance should a Backyard Discovery product be used in public settings. Such use may lead to product failure and potential injury. Any and all public use will void this warranty. Backyard Discovery disclaims all other representations and warranties of any kind, express or implied.

This Warranty gives you specific legal rights. You may have other rights as well which vary from state to state or province to province. This warranty excludes all consequential damages, however, some states do not allow the limitation or exclusion of consequential damages and therefore this limitation may not apply to you.

### Pro Rated Part Replacement Schedule

<u>Product Age</u>	<u>Customer Pays</u>
<b>All Parts</b>	
0-30 days from date of purchase	\$0 and free shipping
31 days to 1 year	\$0 + S&H
<b>Wood Rot and Decay Only</b>	
1 year	\$0 and free shipping
2 years	20% + S&H
3 years	40% + S&H
4 years	60% + S&H
5 years	80% + S&H
Over 5 years	100% + S&H



