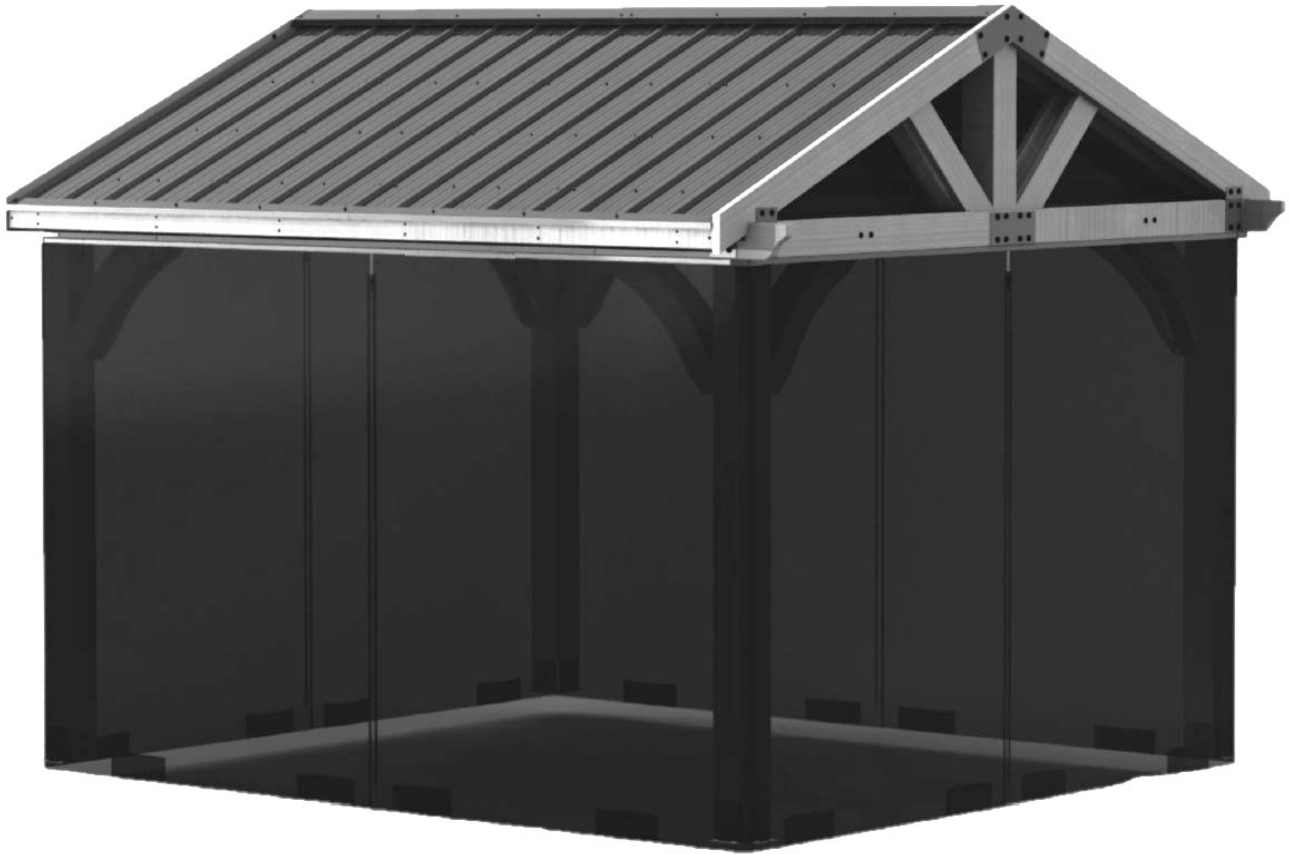




Manufactured by:  
Backyard Discovery  
3305 Airport Drive, Pittsburg, KS 66762  
800-856-4445

Basepoint Business Centre: Rivermead Drive, Westlea, Swindon SN5 7EX Phone: 0800-118-2476  
J.P. Coenstraat 7, The Bridge, The Hague, 2595 WP, Netherlands Phone: 08005678990

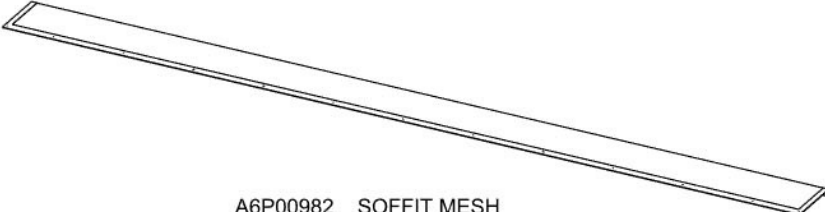
# 12x12 ARLINGTON GAZEBO MOSQUITO MESH KIT MODEL # : 9230255



Please visit [www.backyarddiscovery.com](http://www.backyarddiscovery.com)  
For the most up to date assembly manual, to register your product, or to order  
replacement parts *Para obtener instrucciones en español, visite*  
[www.backyarddiscovery.com](http://www.backyarddiscovery.com)

# OWNER'S MANUAL - PARTS IDENTIFICATION

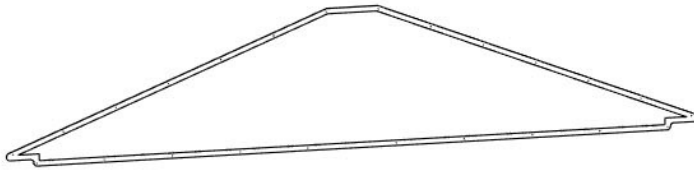
## ACCESSORY COMPONENTS (NOT TO SIZE)



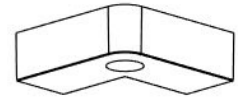
A6P00982 SOFFIT MESH  
(x2)



A6P00983 GABLE SOFFIT MESH  
(x4)



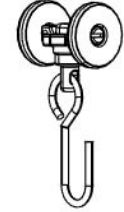
A6P00971 GABLE MESH  
(x2)



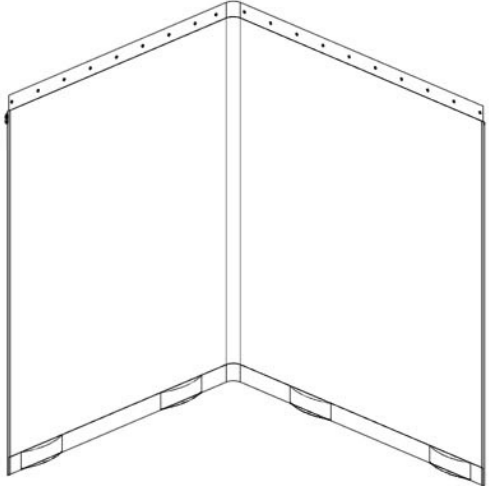
A6P00976 CORNER CAP  
(x4)



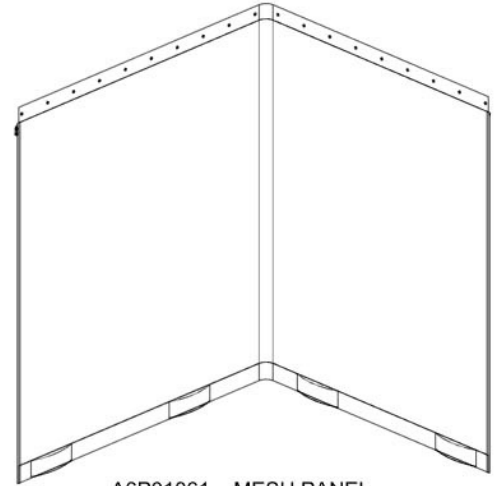
A6P00752 MESH PANEL TIE  
(x4)



A6P00535 MESH PANEL HOOK  
(x76)



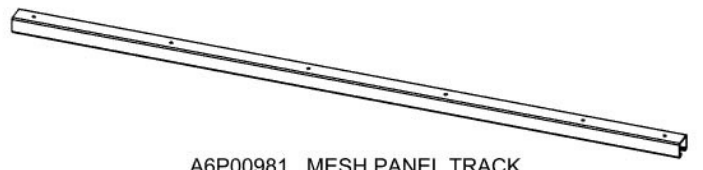
A6P00979 MESH PANEL  
(x2)



A6P01061 MESH PANEL  
(x2)



A6P00980 MESH PANEL TRACK  
(x8)



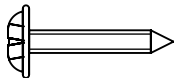
A6P00981 MESH PANEL TRACK  
(x4)

# OWNER'S MANUAL - PARTS IDENTIFICATION

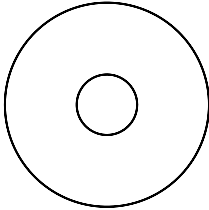
---

## HARDWARE COMPONENTS

---



**H100392 | SCREW PWH BLK**  
(x248) | 8 x 3/4



**H100478 | WASHER FLAT BLK**  
(x8) | 8 x 27

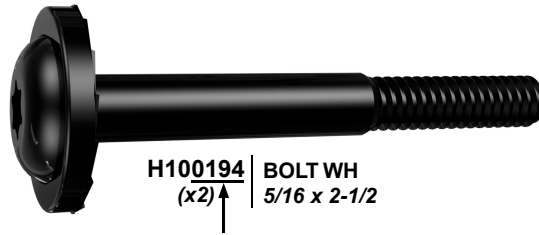
# PRE-ASSEMBLY STEP 1 - SORTING PARTS

It is critical for ease of assembly that you take the time to sort and organize the parts and hardware.

---

## HARDWARE PARTS:

- We recommend that you have a separate table to organize the hardware.
- Hardware bags are printed with a seven-digit, alpha-numeric part number.
- You can organize your hardware by part number or group by hardware type (i.e. bolts, nuts, etc.).
- During assembly you only need to reference the last four digits of the number.



## TOOLS REQUIRED:



Cordless Drill or  
Electric Drill



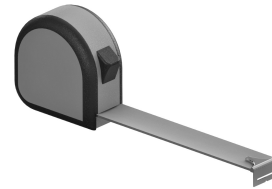
Drill Attachments:  
Phillips Head



1/8" & 3/8" Drill  
Bits



Phillips Screw Driver



Tape Measure

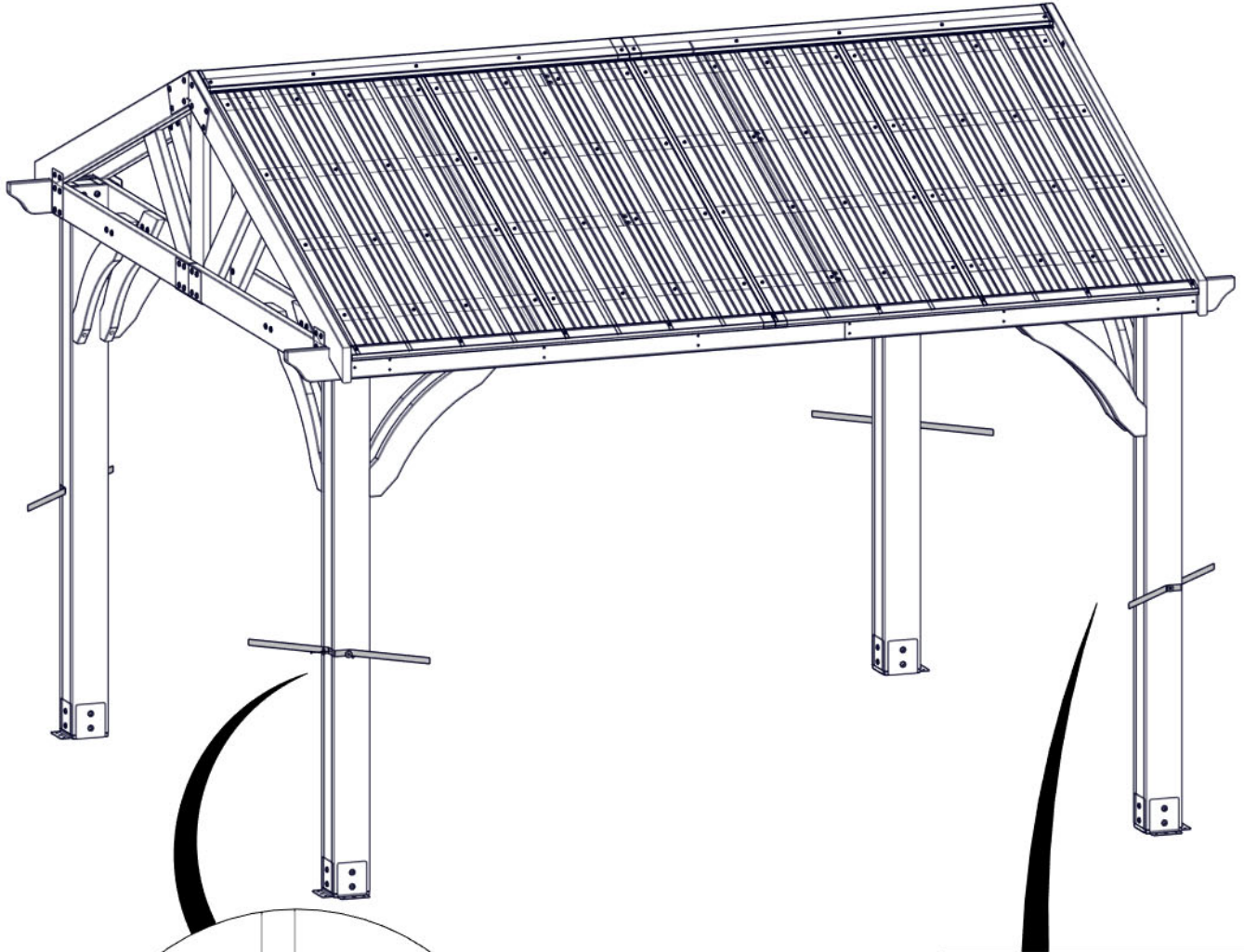
# STEP 1 - TIES

QTY	PART NUMBER	DESCRIPTION
8	H100478	WASHER FLAT 8x27 BLK
8	H100392	SCREW PWH 8x3/4 BLK



A6P00752 MESH PANEL TIE  
(x4)

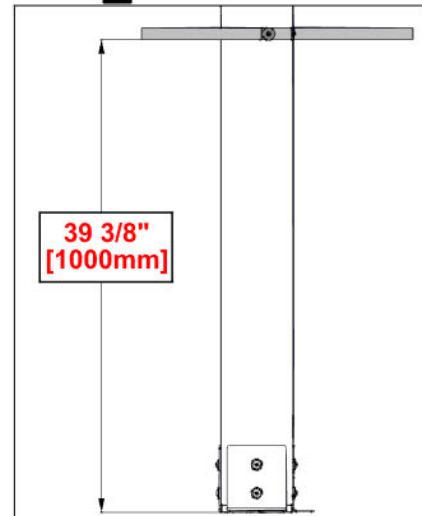
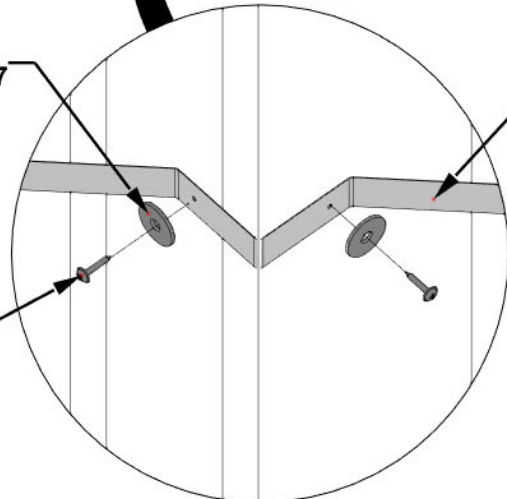
- ATTACH EACH MESH PANEL TIE TO THE POST ASSEMBLY AS SHOWN BELOW.



478 (x8)  
WASHER - 8x27

752 (x4)  
MESH PANEL TIE

392 (x8)  
SCREW - 3/4"



# STEP 2 - TRACKS 12FT SIDE

QTY	PART NUMBER	DESCRIPTION
32	H100392	SCREW PWH 8x3/4 BLK

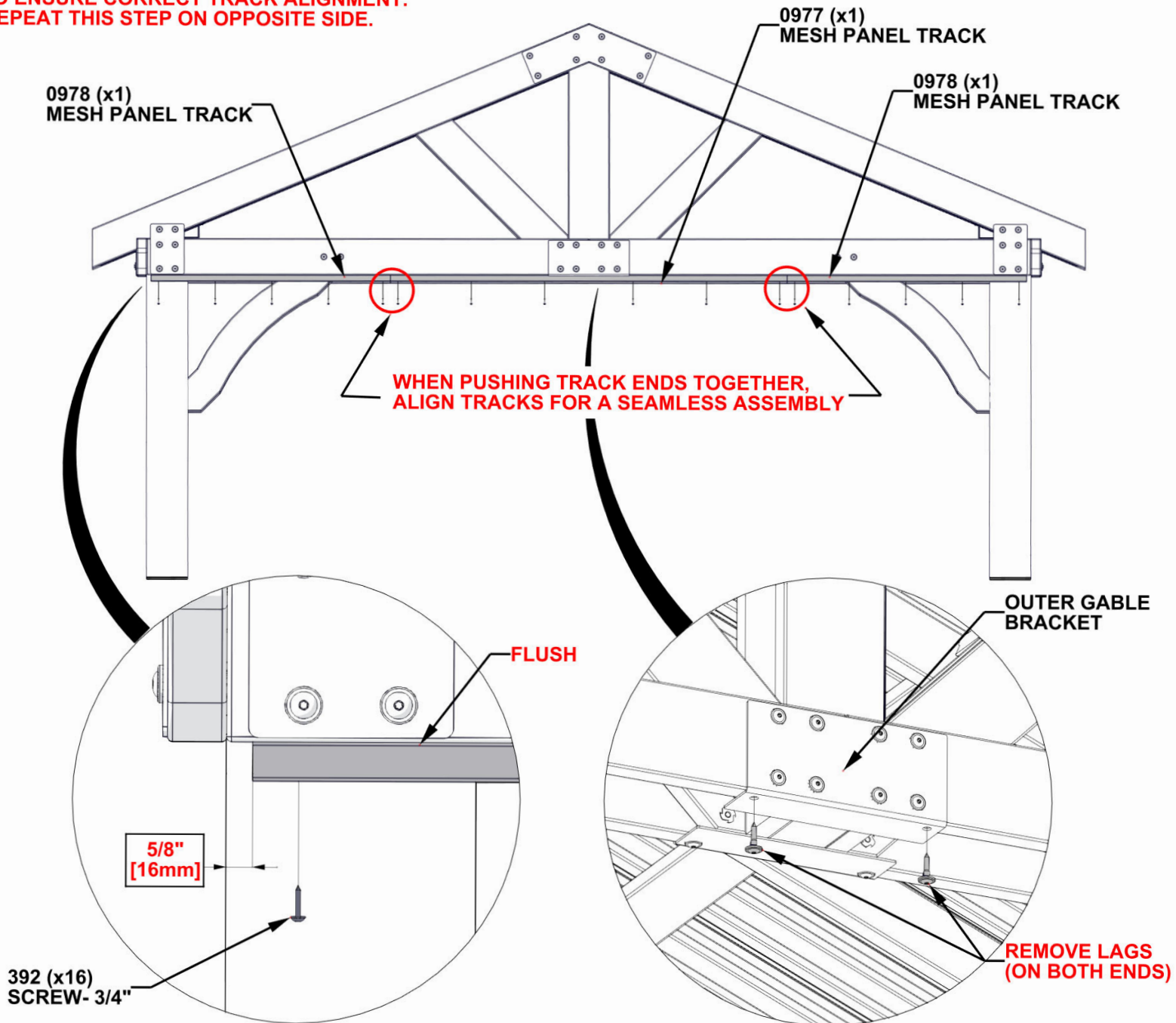


A6P00978 MESH PANEL TRACK  
(x4)



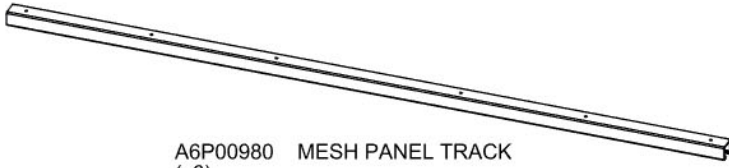
A6P00977 MESH PANEL TRACK  
(x2)

- REMOVE (2) LAGS FROM UNDERNEATH SIDE OF OUTER GABLE BRACKET AS SHOWN BELOW ON BOTH ENDS OF GAZEBO.
- ATTACH TRACK TO BOTTOM SIDE OF GABLE AS SHOWN.
- ADDITIONAL PEOPLE ARE HELPFUL FOR THIS STEP
- IT IS IMPORTANT TO HOLD 5/8" SPACING BETWEEN END OF GABLE AND TRACK ON BOTH SIDES OF THE UNIT TO ENSURE CORRECT TRACK ALIGNMENT.
- REPEAT THIS STEP ON OPPOSITE SIDE.



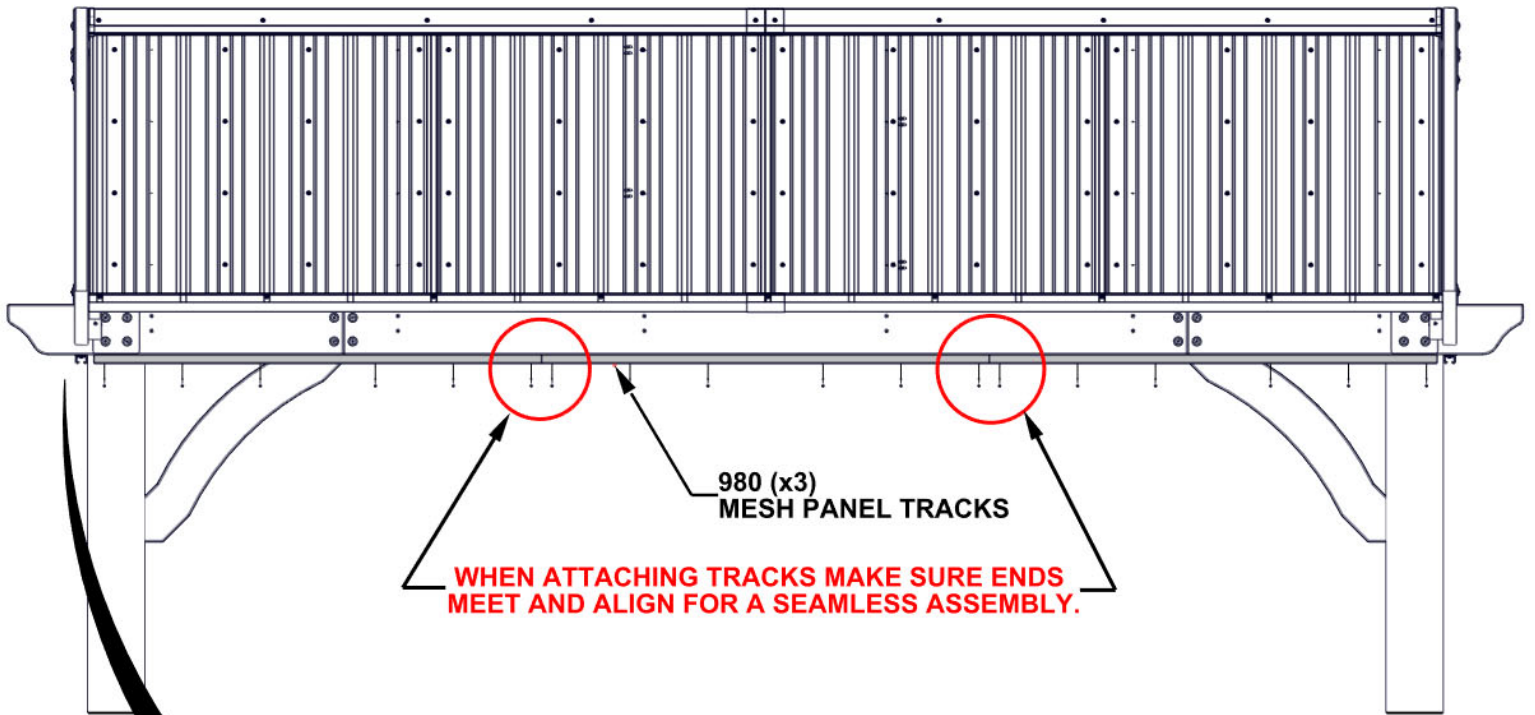
# STEP 3 - TRACKS 12FT SIDE

QTY	PART NUMBER	DESCRIPTION
36	H100392	SCREW PWH 8x3/4 BLK



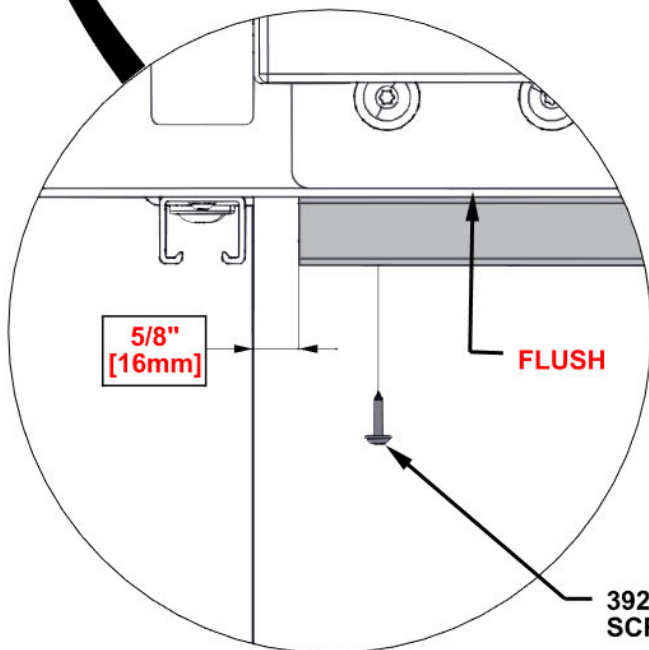
A6P00980 MESH PANEL TRACK  
(x6)

- ATTACH TRACK TO BOTTOM SIDE OF FASCIA AS SHOWN.
- ADDITIONAL PEOPLE ARE HELPFUL FOR THIS STEP.
- START AT ONE END OF GABLE SIDE AND MEASURE 5/8" [16mm] FROM THE OUTSIDE OF THE POST AS SHOWN.
- REPEAT THIS STEP ON OPPOSITE SIDE.



980 (x3)  
MESH PANEL TRACKS

WHEN ATTACHING TRACKS MAKE SURE ENDS MEET AND ALIGN FOR A SEAMLESS ASSEMBLY.

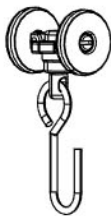


5/8"  
[16mm]

FLUSH

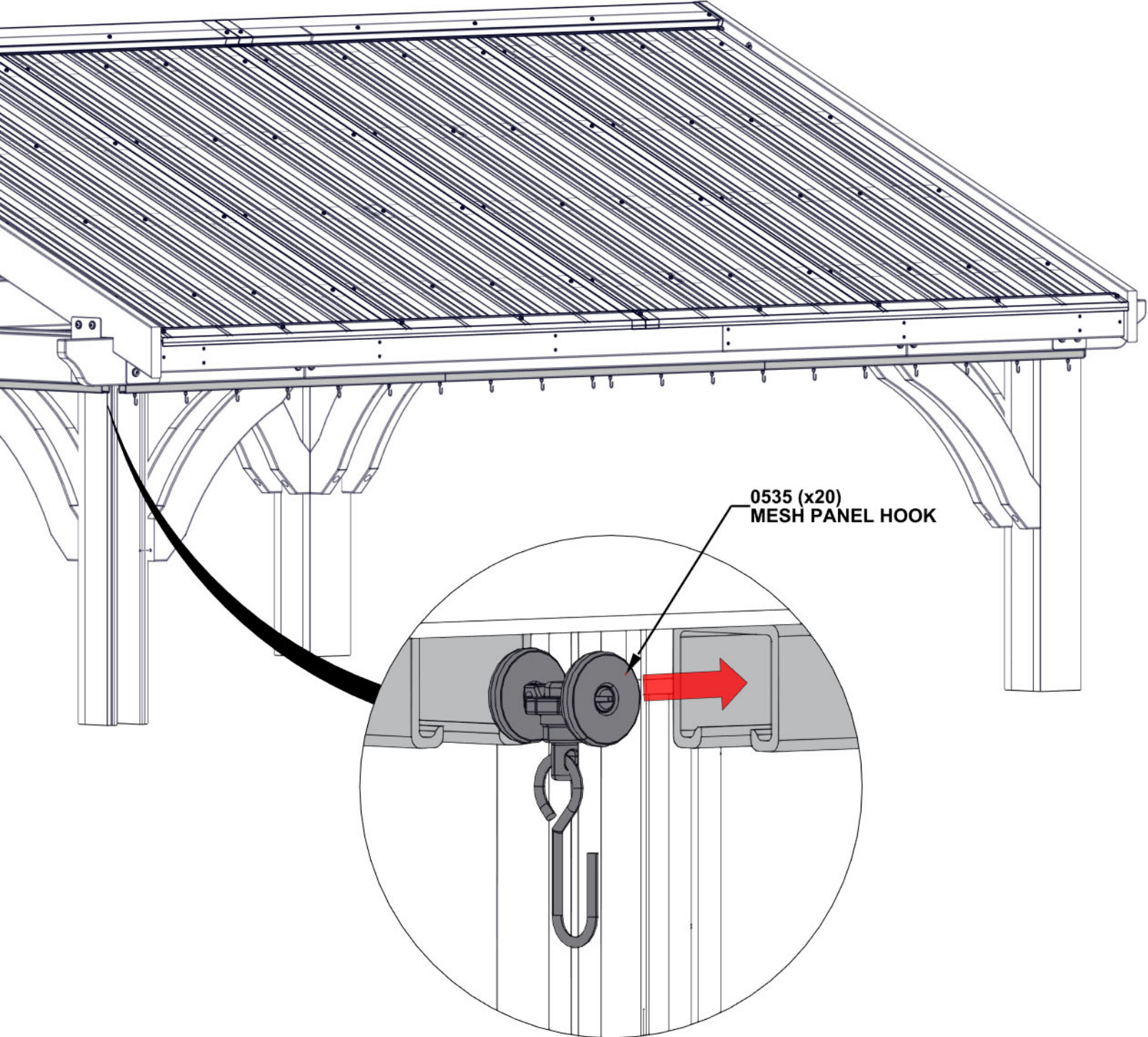
392 (x18)  
SCREW- 3/4"

# STEP 4 - HOOK INSTALLATION 12FT SIDE



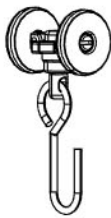
A6P00535 MESH PANEL HOOK  
(x40)

- INSERT 20 MESH PANEL HOOKS INTO TRACK.
- REPEAT THIS STEP ON OPPOSITE SIDE.



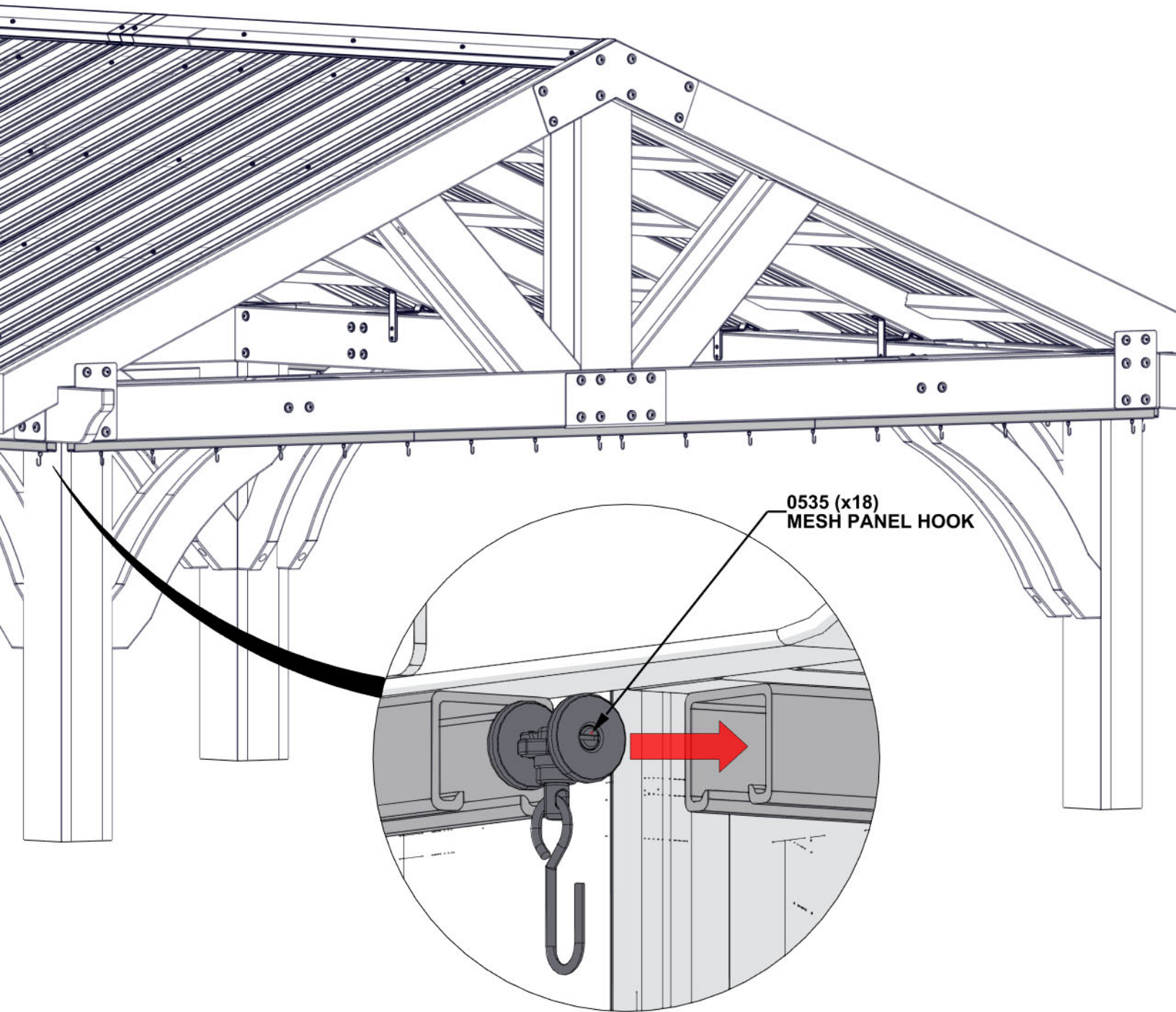


# STEP 5 - HOOK INSTALLATION GABLE SIDE



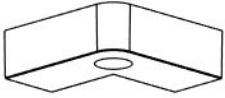
A6P00535 MESH PANEL HOOK  
(x36)

- INSERT 18 MESH PANEL HOOKS INTO TRACK.
- REPEAT THIS STEP ON OPPOSITE SIDE.



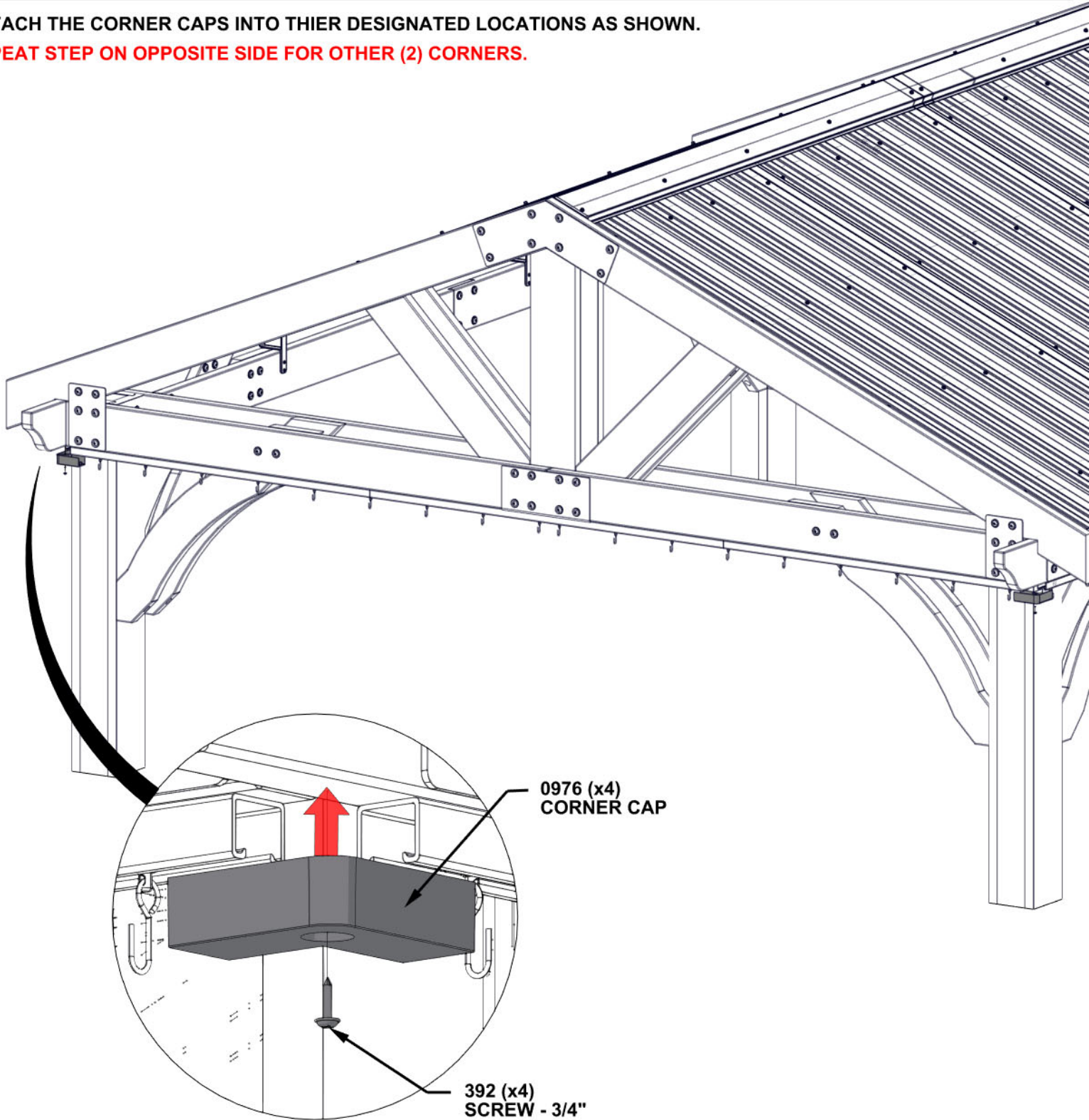
# STEP 6 - CORNER CAP INSTALLATION

QTY	PART NUMBER	DESCRIPTION
4	H100392	SCREW PWH 8x3/4 BLK



A6P00976 CORNER CAP  
(x4)

- ATTACH THE CORNER CAPS INTO THEIR DESIGNATED LOCATIONS AS SHOWN.
- REPEAT STEP ON OPPOSITE SIDE FOR OTHER (2) CORNERS.



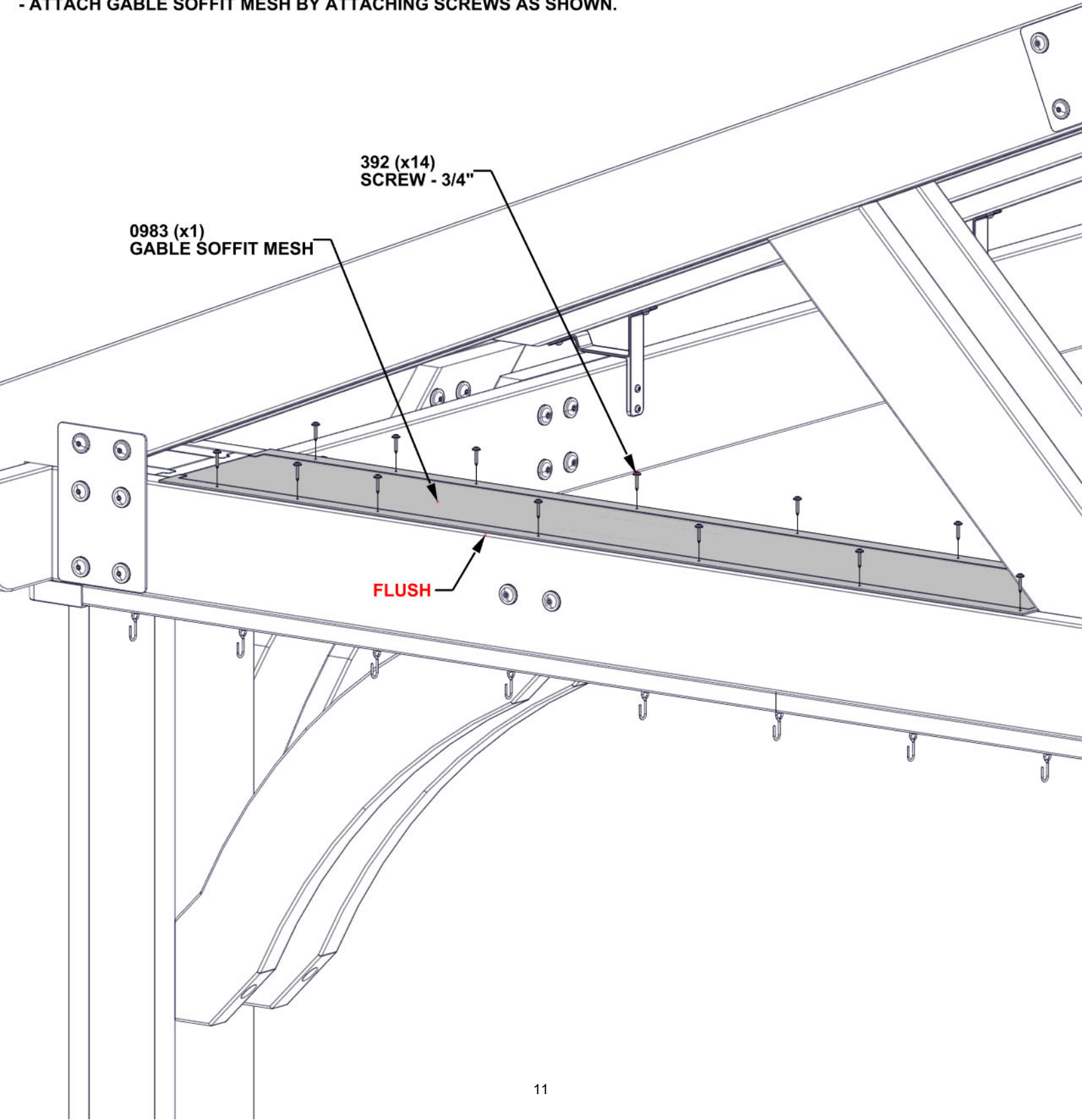
# STEP 7A - GABLE SOFFIT MESH ATTACHMENT

QTY	PART NUMBER	DESCRIPTION
14	H100392	SCREW PWH 8x3/4 BLK



A6P00983 GABLE SOFFIT MESH  
(x1)

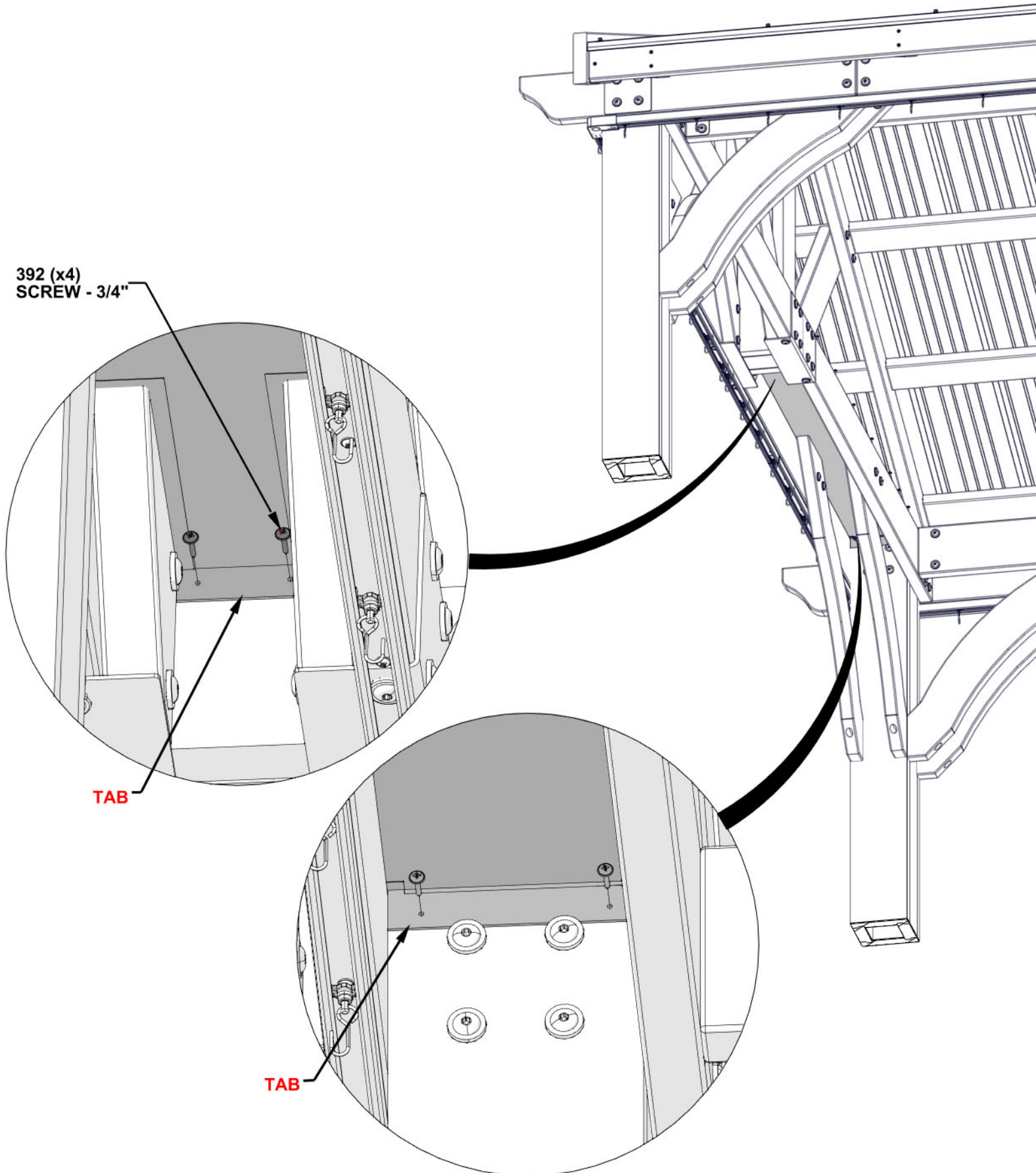
- ATTACH GABLE SOFFIT MESH BY ATTACHING SCREWS AS SHOWN.



# STEP 7B - GABLE SOFFIT MESH ATTACHMENT

QTY	PART NUMBER	DESCRIPTION
4	H100392	SCREW PWH 8x3/4 BLK

- ALIGN TABS WITH POST AND GABLE BEAM AS SHOWN.
- ATTACH GABLE SOFFIT MESH BY ATTACHING SCREWS AS SHOWN.



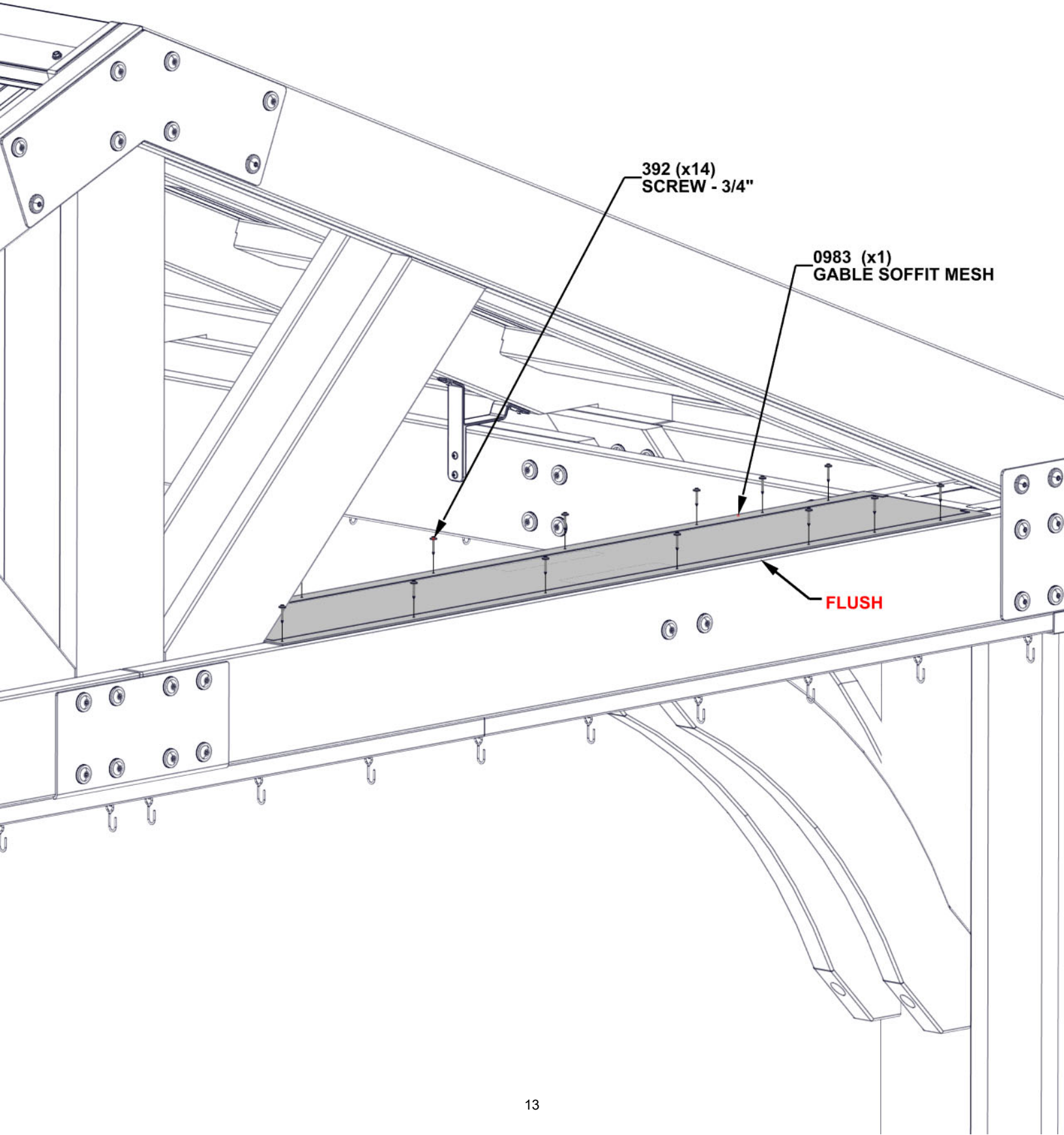
# STEP 8A - GABLE SOFFIT MESH ATTACHMENT

QTY	PART NUMBER	DESCRIPTION
14	H100392	SCREW PWH 8x3/4 BLK



A6P00983 GABLE SOFFIT MESH  
(x1)

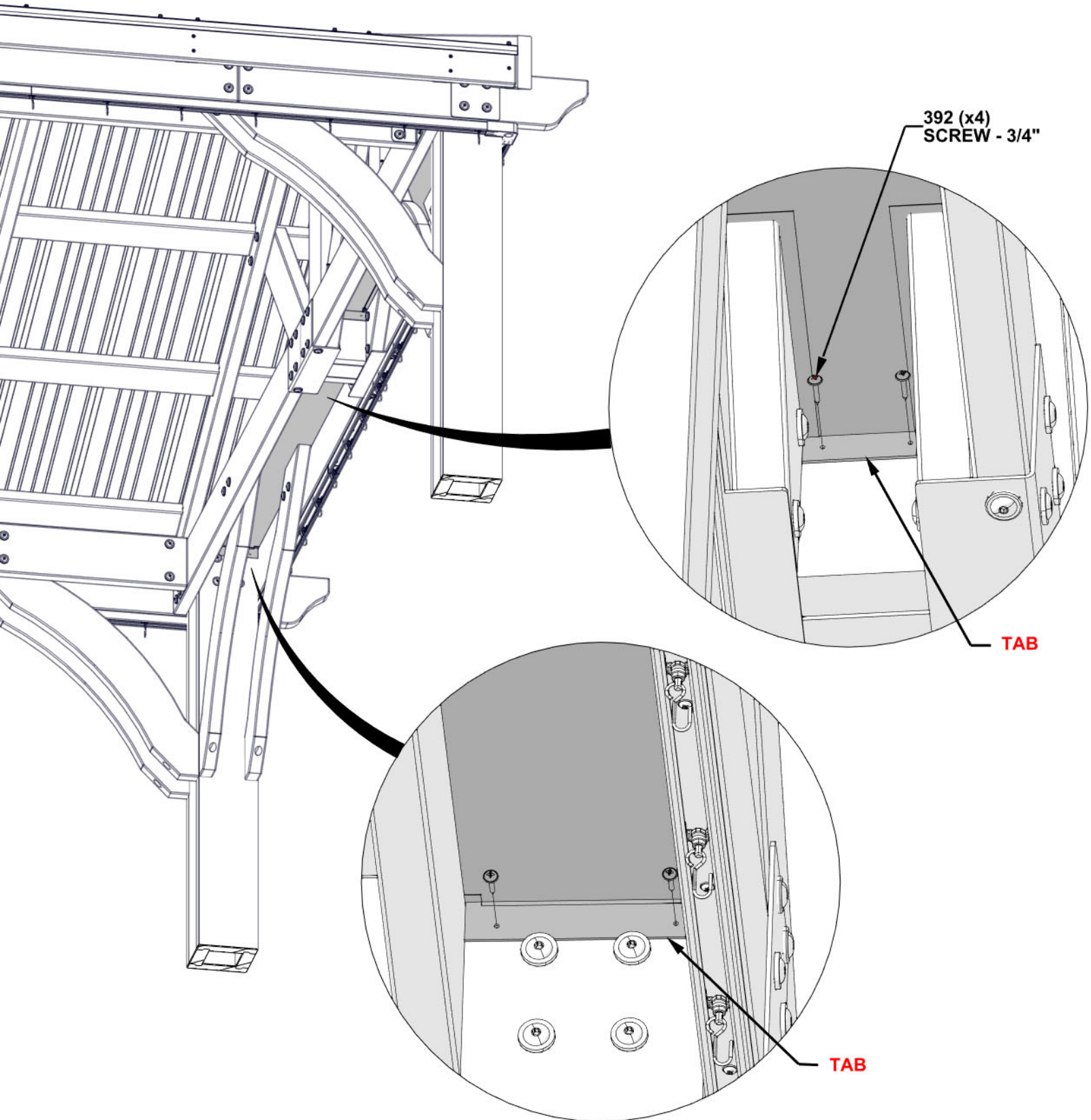
- ATTACH GABLE SOFFIT MESH BY ATTACHING SCREWS AS SHOWN.



# STEP 8B - GABLE SOFFIT MESH ATTACHMENT

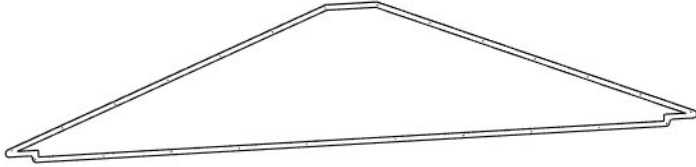
QTY	PART NUMBER	DESCRIPTION
4	H100392	SCREW PWH 8x3/4 BLK

- ALIGN TABS WITH POST AND GABLE BEAM AS SHOWN.
- ATTACH GABLE SOFFIT MESH BY ATTACHING SCREWS AS SHOWN.
- REPEAT STEP (7A-8B) FOR THE OPPOSITE SIDE.



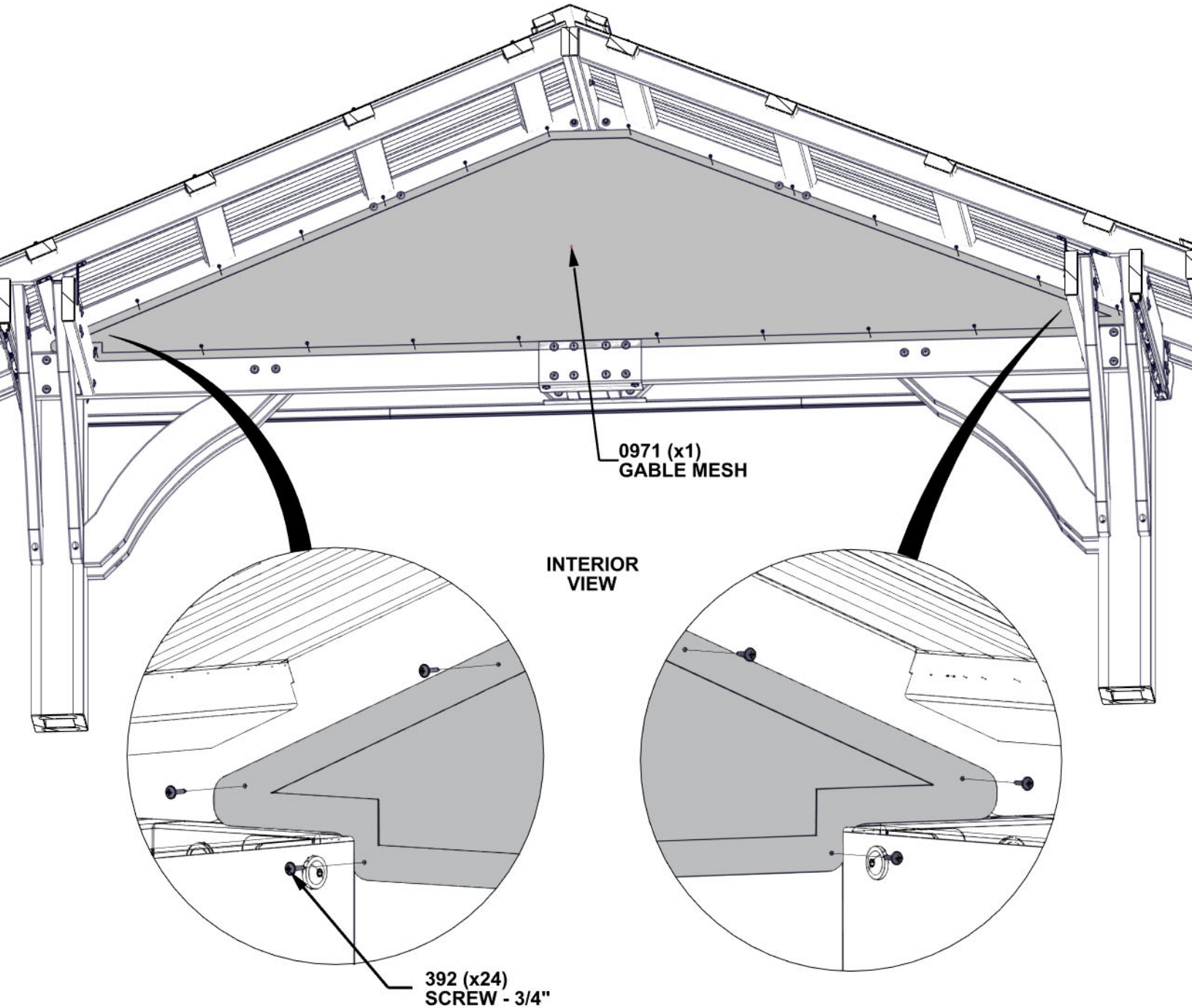
# STEP 9 - GABLE MESH ATTACHMENT

QTY	PART NUMBER	DESCRIPTION
48	H100392	SCREW PWH 8x3/4 BLK



A6P00971 GABLE MESH  
(x2)

- ATTACH GABLE MESH BY ATTACHING SCREWS AS SHOWN.
- ADDITIONAL PEOPLE ARE HELPFUL FOR THIS STEP.
- REPEAT THIS STEP ON OPPOSITE SIDE.



# STEP 10 - SOFFIT MESH ATTACHMENT

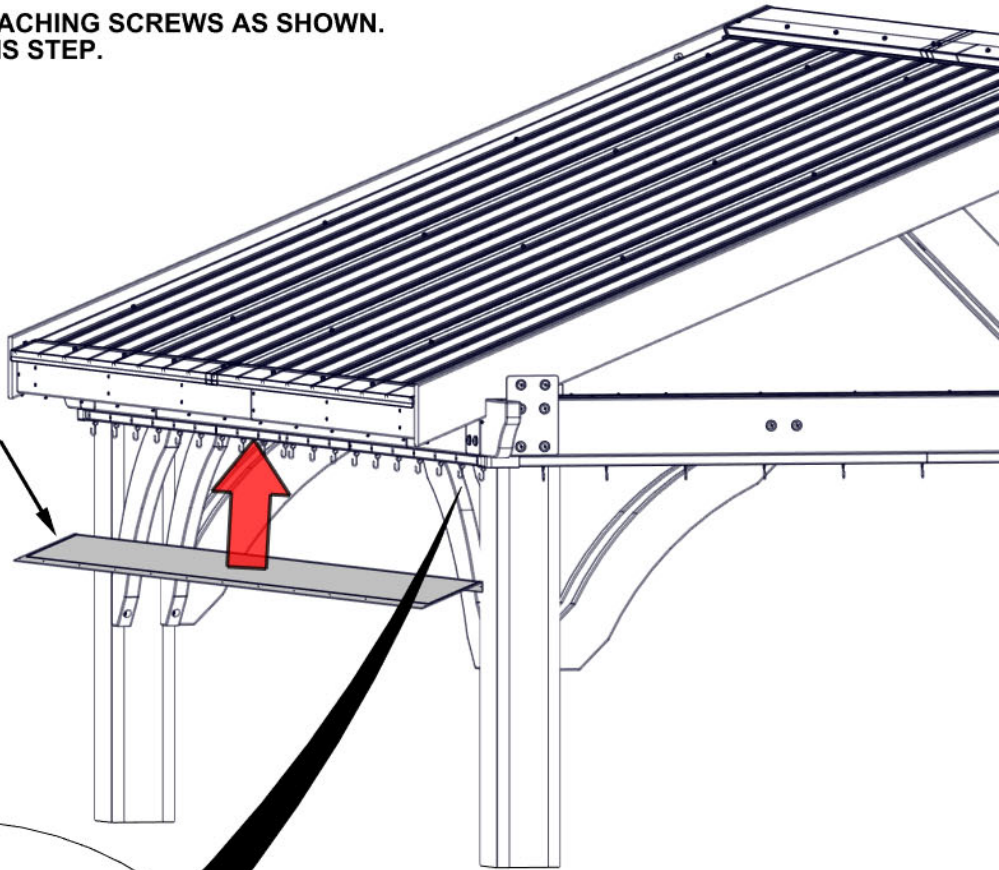
QTY	PART NUMBER	DESCRIPTION
52	H100392	SCREW PWH 8x3/4 BLK



A6P00982 SOFFIT MESH  
(x2)

- CENTER AND ATTACH SOFFIT MESH BY ATTACHING SCREWS AS SHOWN.
- ADDITIONAL PEOPLE ARE HELPFUL FOR THIS STEP.
- REPEAT THIS STEP ON OPPOSITE SIDE.

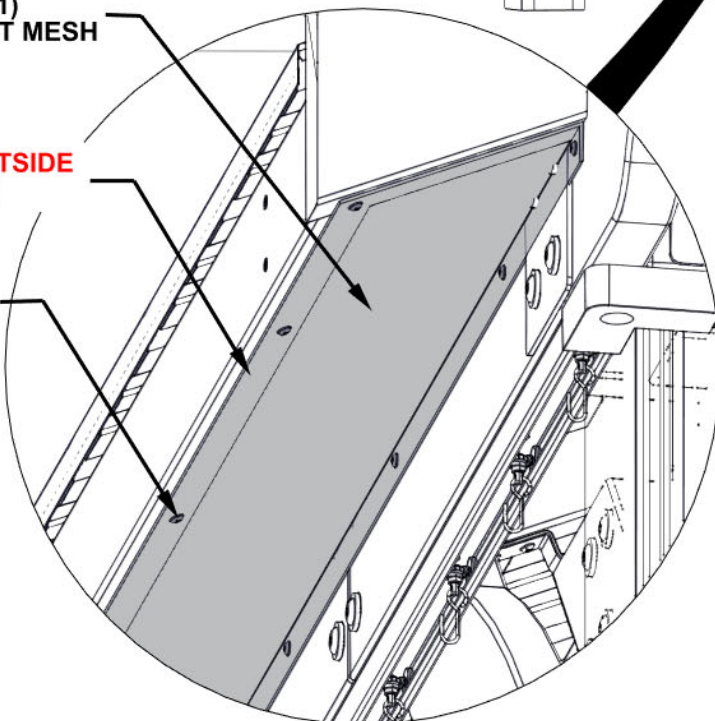
982 (x1)  
SOFFIT MESH



982 (x1)  
SOFFIT MESH

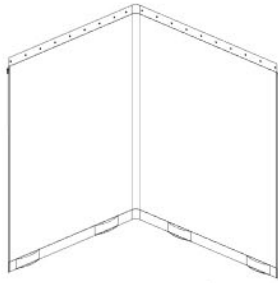
ATTACH OUTSIDE  
EDGE FIRST

392 (x26)  
SCREW - 3/4"

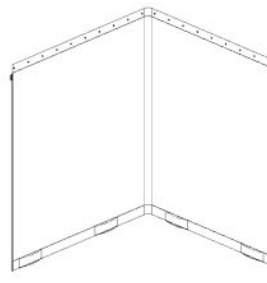




# STEP 11 - MESH PANEL INSTALLATION



A6P00979 12x 12 MESH PANEL (x2)



A6P01061 12x 12 MESH PANEL (x2)

- EXTRA PEOPLE ARE HELPFUL FOR THIS STEP.

1. EACH PANEL GOES AROUND THE OUTSIDE OF THE POSTS AND COVERS ONE HALF OF THE GABLE SIDE AND ONE HALF OF THE 12FT SIDE.

**PAY CAREFUL ATTENTION TO THE MESH PANEL PART NUMBERS AS YOU WILL ALTERNATE THEM WHEN HANGING (SEE IMAGE)**

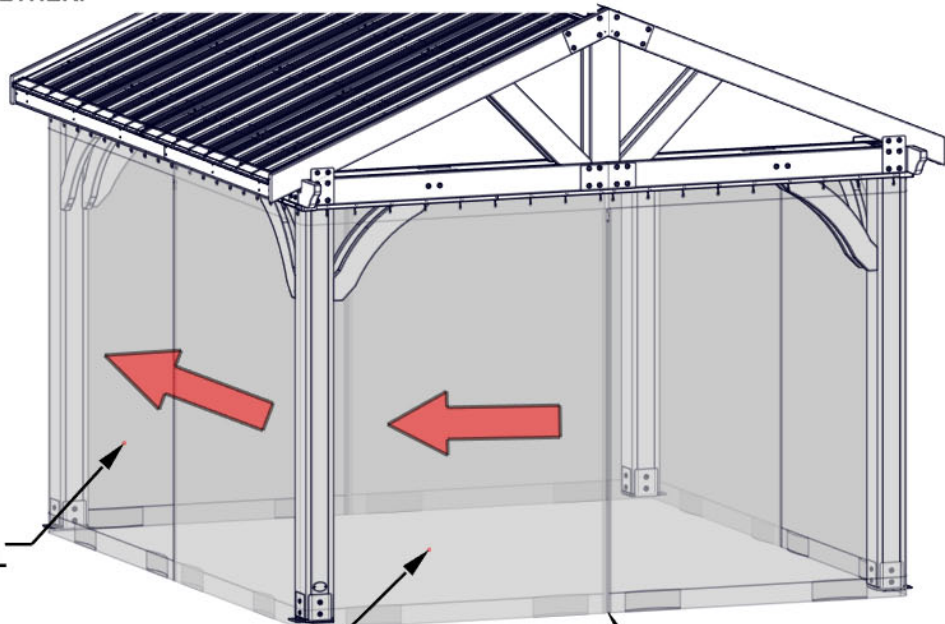
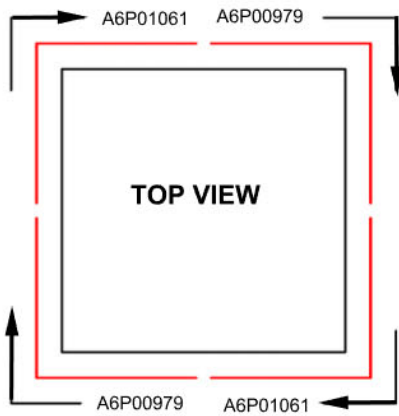
2. THE POCKETS AT THE BOTTOM OF THE PANELS SHOULD BE FACING THE INSIDE OF THE GAZEBO.

**ZIPPERS WILL NOT ALIGN IF PANELS ARE FACING THE WRONG DIRECTION.**

3. BEGIN HANGING MESH PANEL A6P00979 AT THE CENTER OF THE 12FT GABLE SIDE (USING 9 HOOKS). CONTINUE AROUND THE POST TO THE FLAT 12FT SIDE (USING 10 HOOKS).

4. REPEAT STEP FOR THE REST OF THE MESH PANELS.

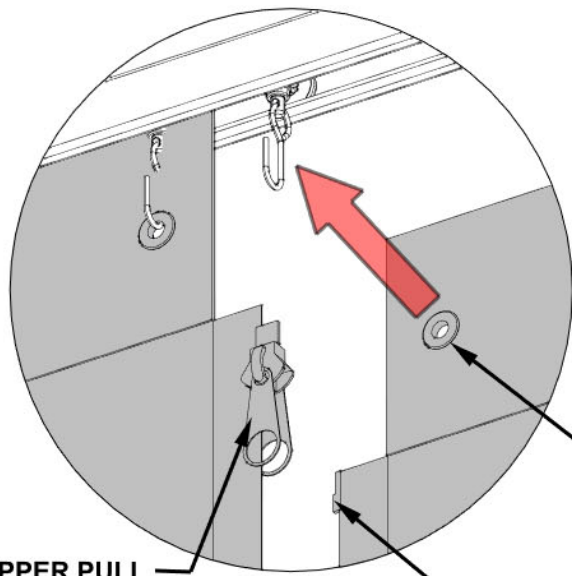
5. AFTER ALL THE PANELS ARE HUNG, ZIP THEM TOGETHER.



1061 (x2)  
12x 12 MESH PANEL

0979 (x2)  
12x 12 MESH PANEL

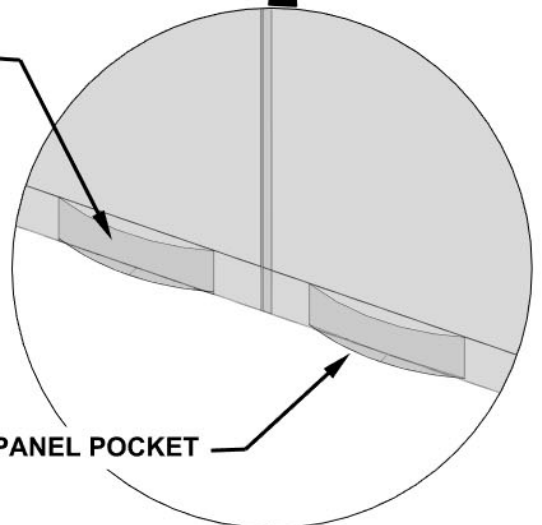
**IT IS RECOMMENDED THAT EACH POCKET IS FILLED WITH WEIGHT**



GROMMET

ZIPPER PULL

ZIPPER PIN



MESH PANEL POCKET